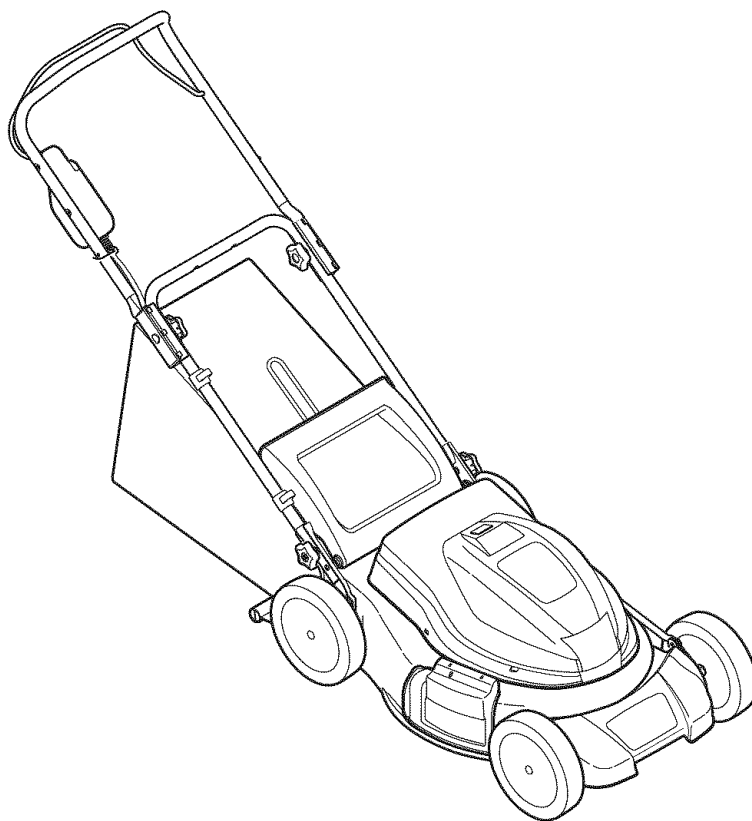


# Operator's Manual

# CRAFTSMAN®

## 19-inch Rechargeable Rotary Mower

Model No. 247.370480



**CAUTION:** Before using this product, read this manual and follow all safety rules and operating instructions.

- SAFETY
- ASSEMBLY
- OPERATION
- MAINTENANCE
- PARTS LIST
- ESPANOL P. 21



This symbol on the product's nameplate means it is listed by UNDERWRITERS LABORATORIES INC.

**Sears, Roebuck and Co., Hoffman Estates, IL 60179, U.S.A.**

Visit our web site: [www.craftsman.com](http://www.craftsman.com)

FORM NO. 769-02924  
1/17/2008

# TABLE OF CONTENTS

Warranty Statement .....	2	Service and Maintenance .....	12-14
Safety Instructions .....	3-4	Off-Season Storage .....	15
Slope Guide.....	5	Troubleshooting .....	16
Safety Labels .....	7	Parts List .....	18
Assembly.....	8-9	Español.....	21
Operation .....	10-11	Service Numbers .....	Back Cover

# WARRANTY STATEMENT

## Craftsman Two Year Limited Warranty

If this Craftsman product fails due to a defect in material or workmanship within two years from the date of purchase, return it to any Sears store, Sears Service Center, or other Craftsman outlet in the United States for free repair.

This warranty does not include:

- Expendable items which can wear out from normal use within the warranty period, such as the grass bag and rotary mower blade.
- Repairs necessary because of operator abuse or negligence, including bent motor shafts and the failure to operate or maintain the equipment according to all supplied instructions.

This warranty applies for only 90 days if this product is ever used for commercial or rental purposes.

This warranty applies only while this product is used in the United States.

This warranty gives you specific legal rights, and you may also have other rights which vary from state to state.

**Sears, Roebuck and Co., Hoffman Estates, IL 60179**

## PRODUCT SPECIFICATIONS

Battery:	12 Volt
Motor:	48 Volt DC

## MODEL NUMBER

Model Number \_\_\_\_\_  
Serial Number \_\_\_\_\_  
Date of Purchase \_\_\_\_\_

Record the model number, serial number,  
and date of purchase above.

# SAFETY INSTRUCTIONS

## ⚠ WARNING



This symbol points out important safety instructions which, if not followed, could endanger the personal safety and/or property of yourself and others. Read and follow all instructions in this manual before attempting to operate this machine. Failure to comply with these instructions may result in personal injury. When you see this symbol, **HEED ITS WARNING!**

**Your Responsibility:** Restrict the use of this power machine to persons who read, understand, and follow the warnings and instructions in this manual and on the machine.

## ⚠ DANGER

This machine was built to be operated according to the rules for safe operation in this manual. As with any type of power equipment, carelessness or error on the part of the operator can result in serious injury. This machine is capable of amputating hands and feet and throwing objects. Failure to observe the following safety instructions could result in serious injury or death.

## ⚠ WARNING

When using electric lawn mowers, basic safety precautions should always be followed to reduce the risk of fire, electric shock, and personal injury. These basic precautions include the following:

## Children

Tragic accidents can occur if operator is not alert to presence of children. Children are often attracted to mower and mowing activity. They do not understand the dangers. Never assume that children will remain where you last saw them.

- Keep children out of the mowing area and under watchful care of a responsible adult other than the operator.
- Be alert and turn mower off if a child enters the area.
- Before and while moving backwards, look behind and down for small children.
- Use extreme care when approaching blind corners, doorways, shrubs, trees, or other objects that may obscure your vision of a child who may run into the mower.
- Never allow children under 14 years old to operate a power mower. Children 14 years old and over should read and understand operation instructions and safety rules in this manual and should be trained and supervised by a parent.

## Operation

### General Operation:

- Read this operator's manual carefully in its entirety before attempting to assemble this machine. Read, understand, and follow all instructions on the machine and in the manual(s) before operation. Be completely familiar with the controls and the proper use of this machine before operating it. Keep this manual in a safe place for future and regular reference and for ordering replacement parts.
- This machine is a precision piece of power equipment, not a plaything. Therefore, exercise extreme caution at all times. Your unit has been designed to perform one job: to mow grass. Do not use it for any other purpose.
- Don't force lawn mower - it will do the job better and safer at the rate for which it was designed.
- Never allow children under 14 years old to operate this machine. Children 14 years old and over should read and understand the instructions in this manual and should be trained and supervised by a parent. Only responsible individuals who are familiar with these rules of safe operation should be allowed to use this machine.

- Thoroughly inspect the area where the equipment is to be used. Remove all stones, sticks, wire, bones, toys and other foreign objects which could be tripped over or picked up and thrown by the blade. Thrown objects can cause serious personal injury. Plan your mowing pattern to avoid discharge of material toward roads, sidewalks, bystanders and the like. Also, avoid discharging material against a wall or obstruction which may cause discharged material to ricochet back toward the operator.
- To help avoid blade contact or a thrown object injury, stay in operator zone behind handles and keep children, bystanders, helpers and pets at least 75 feet from mower while it is in operation. Stop machine if anyone enters area.
- Always wear safety glasses or safety goggles during operation and while performing an adjustment or repair to protect your eyes. Thrown objects which ricochet can cause serious injury to the eyes.
- Wear sturdy, rough-soled work shoes and close-fitting slacks and shirts. Shirts and pants that cover the arms and legs and steel-toed shoes are recommended. Never operate this machine in bare feet, sandals, slippery or light weight (e.g. canvas) shoes.
- Do not put hands or feet near rotating parts or under cutting deck. Contact with blade can amputate hands and feet.
- A missing or damaged discharge cover can cause blade contact or thrown object injuries.
- Many injuries occur as a result of the mower being pulled over the foot during a fall caused by slipping or tripping. Do not hold on to the mower if you are falling; release the handle immediately.
- Never pull the mower back toward you while you are walking. If you must back the mower away from a wall or obstruction first look down and behind to avoid tripping and then follow these steps:
  - Step back from mower to fully extend your arms.
  - Be sure you are well balanced with sure footing.
  - Pull the mower back slowly, no more than half way toward you.
  - Repeat these steps as needed.
- Do not operate the mower while under the influence of alcohol or drugs.
- Stay alert - Watch what you are doing. Use common sense. Do not operate lawn mower when you are tired.

# SAFETY INSTRUCTIONS

- The motor/blade control handle is a safety device. Never attempt to bypass its operation. Doing so makes the safety device inoperative and may result in personal injury through contact with the rotating blade. The motor/blade control handle must operate easily in both directions and automatically return to the disengaged position when released.
- Do not charge the mower in rain, or in wet conditions.
- Never operate the mower in rain or wet grass. Always be sure of your footing. A slip and fall can cause serious personal injury. If you feel you are losing your footing, release the motor/blade control handle immediately and the blade will stop rotating within three seconds.
- Mow only in daylight or good artificial light. Walk, never run.
- Stop the blade when crossing gravel drives, walks or roads.
- If the equipment should start to vibrate abnormally, stop the motor and check immediately for the cause. Vibration is generally a warning of trouble.
- Shut the motor off and wait until the blade comes to a complete stop before removing the grass catcher or unclogging the chute. The cutting blade continues to rotate for a few seconds after the motor is shut off. Never place any part of the body in the blade area until you are sure the blade has stopped rotating.
- Never operate mower without proper trailing shield, discharge cover, grass catcher, motor/blade control handle or other safety protective devices in place and working. Never operate mower with damaged safety devices. Failure to do so, can result in personal injury.
- Only use parts and accessories made for this machine by manufacturer. Failure to do so can result in personal injury.
- If situations occur which are not covered in this manual, use care and good judgment. Contact your Sears Service Center for assistance.

## Slope Operation:

Slopes are a major factor related to slip and fall accidents which can result in severe injury. Operation on slopes requires extra caution. If you feel uneasy on a slope, do not mow it. For your safety, use the slope gauge included as part of this manual to measure slopes before operating this unit on a sloped or hilly area. If the slope is greater than 15 degrees, do not mow it.

## Do:

- Mow across the face of slopes; never up and down. Exercise extreme caution when changing direction on slopes.
- Watch for holes, ruts, rocks, hidden objects, or bumps which can cause you to slip or trip. Tall grass can hide obstacles.
- Always be sure of your footing. A slip and fall can cause serious personal injury. If you feel you are losing your balance, release the motor/blade control handle immediately, and the blade will stop rotating within three (3) seconds.

## Do Not:

- Do not mow near drop-offs, ditches or embankments, you could lose your footing or balance.
- Do not mow slopes greater than 15 degrees as shown on the slope gauge.
- Do not mow on wet grass. Unstable footing could cause slipping.

## Service

- If the mower's built-in overload protection switch frequently trips, contact your nearest Sears Service Center for repair.
- Remove key and store idle lawn mower indoors when not in use. Allow motor to cool before storing in any inclosure. Lawn mower should be stored indoors in a dry, high, or locked-up place, out of reach of children.
- When servicing use only identical replacement parts listed in this manual. "Use of parts which do not meet the original equipment specifications may lead to improper performance and compromise safety!"
- Before cleaning, repairing, or inspecting, make certain the blade and all moving parts have stopped. Remove the key to prevent accidental starting.
- Remove key before servicing, cleaning, or removing material from the lawn mower.
- Follow instructions for lubricating and changing accessories.
- Keep handles dry, clean and free from oil and grease.
- To reduce a fire hazard, keep the motor cover free of grass, leaves and debris build-up.
- Check the blade and motor mounting bolts at frequent intervals for proper tightness. Also, visually inspect blade for damage (e.g., bent, cracked, and worn). Replace blade with the original equipment manufacturer's (OEM) blade only, listed in this manual.
- Maintain your mower with care — Keep mower blade sharp and clean for best and safest performance. Mower blades are sharp and can cut, wrap the blade or wear gloves and use extra caution when servicing them.
- Keep all nuts, bolts, and screws tight to be sure the equipment is in safe working condition.
- Never tamper with safety devices. Check their proper operation regularly.
- Never attempt to make wheel or cutting height adjustments while the motor is running.
- After striking a foreign object, stop the motor, remove the key, and thoroughly inspect the mower for any damage. Repair the damage before operating the mower.
- Grass catcher components, discharge cover, and trailing shield are subject to wear and damage which could expose moving parts or allow objects to be thrown. For safety protection, frequently check components and replace immediately with original equipment manufacturer's (OEM) parts only, listed in this manual.

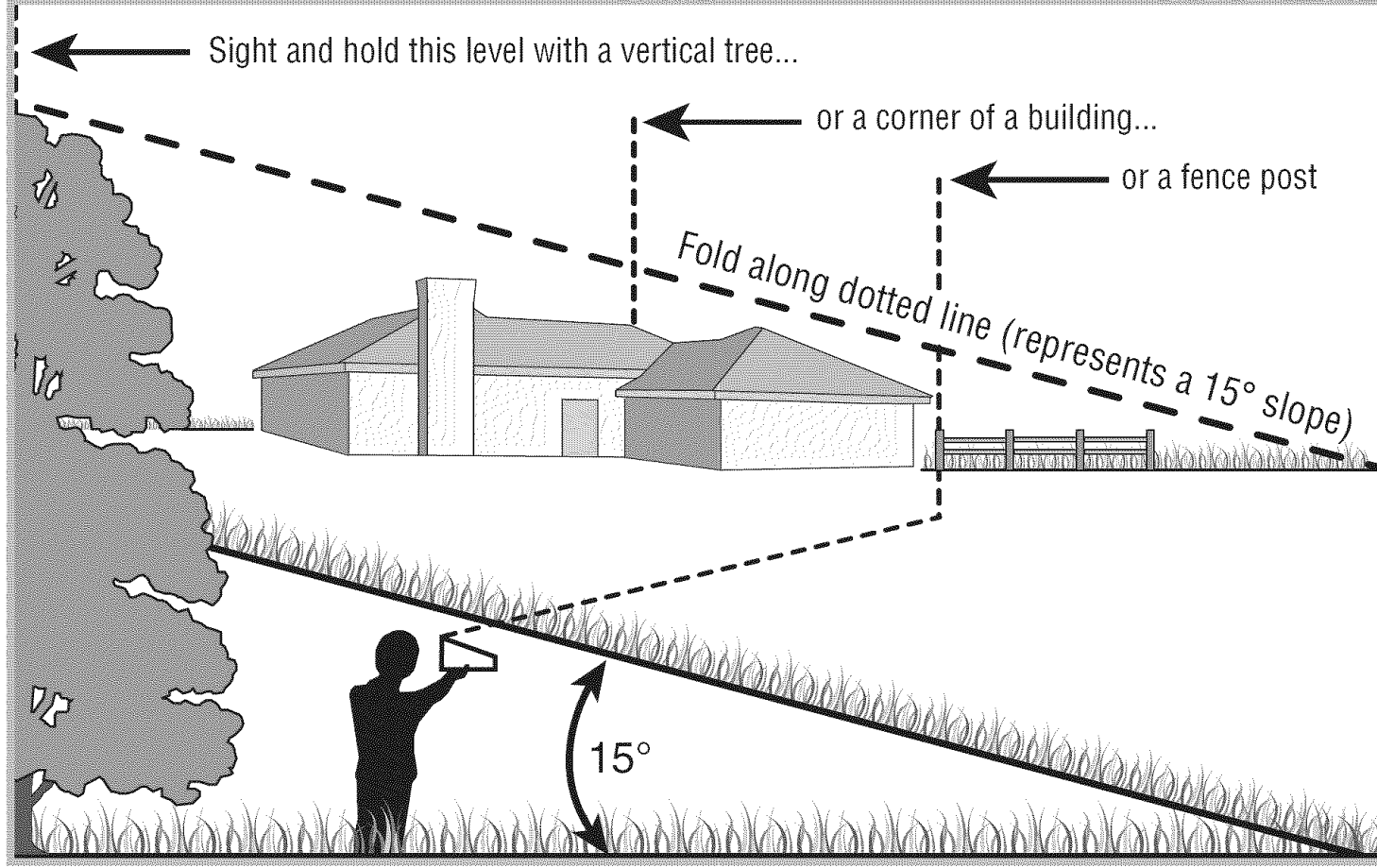
**SAVE THESE INSTRUCTIONS!**

## SLOPE GUIDE

Use this page as a guide to determine slopes where you may not operate safely. Do not operate the lawn mower on such slopes.

### ⚠ WARNING

Do not mow on inclines with a slope in excess of 15 degrees (a rise of approximately 2-1/2 feet every 10 feet). Operate WALK-BEHIND mowers across the face of slopes, never up and down slopes.







### ⚠ WARNING

This symbol points out important safety instructions which, if not followed, could endanger the personal safety and/or property of yourself and others. Read and follow all instructions in this manual before attempting to operate this machine. Failure to comply with these instructions may result in personal injury. When you see this symbol, HEED ITS WARNING!

This page left intentionally blank.

# SAFETY LABELS

				 MAX 15°
<b>⚠ DANGER</b>		<b>AVOID SERIOUS INJURY OR DEATH</b>		
<ul style="list-style-type: none"> <li>• TO REDUCE THE RISK OF ELECTRIC SHOCK, DO NOT EXPOSE UNIT TO WATER OR OPERATE UNIT ON WET GROUND.</li> <li>• REMOVE KEY BEFORE SERVICING OR REMOVING BLADE.</li> <li>• KEEP HANDS AND FEET AWAY FROM ROTATING PARTS.</li> <li>• DO NOT MOW WHEN CHILDREN OR OTHERS ARE AROUND.</li> </ul>		<ul style="list-style-type: none"> <li>• REMOVE OBJECTS THAT CAN BE THROWN BY THE BLADE IN ANY DIRECTION. WEAR SAFETY GLASSES.</li> <li>• USE EXTRA CAUTION ON SLOPES. DO NOT MOW SLOPES GREATER THAN 15°. MOW ACROSS. NEVER UP AND DOWN. NEVER PULL MOWER CLOSE TO YOUR FEET. LOOK DOWN AND BEHIND BEFORE AND WHILE MOVING BACKWARDS.</li> </ul>		
<p><b>READ OPERATOR'S MANUAL. KEEP SAFETY DEVICES (BLADE CONTROL, TRAILING SHIELD, DISCHARGE COVER, ETC.) IN PLACE AND WORKING. IF DAMAGED, REPLACE IMMEDIATELY.</b></p>				
<p><b>⚠ WARNING</b></p> <p>WHEN REPAIRING THIS UNIT USE ONLY IDENTICAL REPLACEMENT PARTS. REFER TO REPAIR PARTS SECTION OF YOUR OWNERS MANUAL OR CONTACT YOUR AUTHORIZED SERVICE CENTER.</p>		<p>E251650</p>  <p>LISTED LAWNMOWER 4E</p>	<p>PLACE MODEL PLATE HERE</p>	<p>FOR USE ONLY WITH 725-04387 CHARGER</p>

TO REDUCE THE RISK OF INJURY, DO NOT OPERATE UNLESS DISCHARGE COVER OR GRASS CATCHER IS IN ITS PROPER PLACE. IF DAMAGED, REPLACE IMMEDIATELY.

**DANGER**

KEEP HANDS and FEET AWAY



**CRAFTSMAN**®

BATTERY POWERED MOWER

**48 VOLT**  
MOTOR

SINGLE LEVER HEIGHT ADJUSTMENT  
MULCH, BAG OR SIDE DISCHARGE

**⚠ WARNING**

DO NOT REMOVE THIS COVER. POTENTIAL SHOCK HAZARD INSIDE.

# ASSEMBLY

**IMPORTANT:** Be certain to charge the battery for at least 14 hours before operating your mower. Refer to Operation section.

**NOTE:** Stand behind the mower as if you were going to operate it. Your right hand corresponds to the right side of the mower; your left hand corresponds to the left side of the mower.

## LOOSE PARTS IN CARTON

The following items are packaged loose in the carton:  
Operator's Manual, Grass Catcher

## REMOVING THE UNIT FROM THE CARTON

1. Cut the corners of the carton and lay the sides flat on the ground. Remove all packing inserts.
2. Move the mower and grass catcher out of the carton.
3. Make certain the carton has been completely emptied before discarding it.

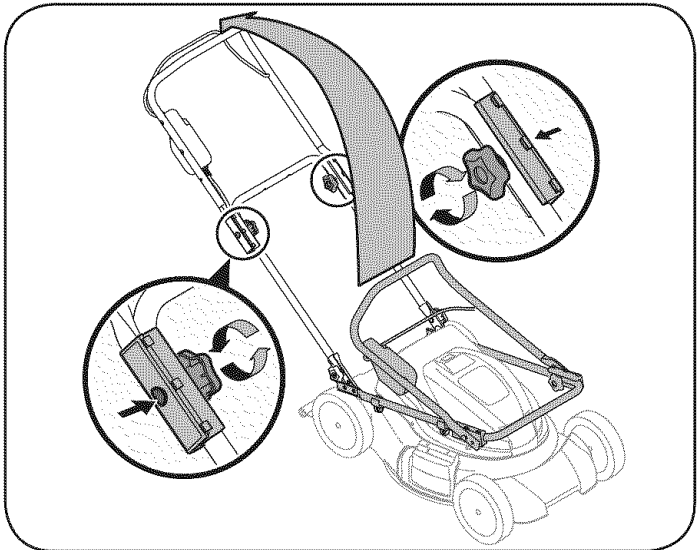


Figure 1

## ASSEMBLING THE HANDLE

1. Remove any packing material which may be between upper and lower handles.
2. Loosen each hand knob found on the inside of the upper handle.
3. Gently lift and pivot the upper handle into the operating position as shown in Figure 1.
4. Remove star knobs from handle mounting brackets and secure the lower handle onto the handle brackets by placing the lower hole of the lower handle onto the pins of the handle brackets.
5. Secure the upper handle and lower handle by tightening the hand knobs. Each carriage bolt must be seated properly into the square hole found in the plastic connector.
6. Tighten star knobs securing lower handle to handle brackets. See Figure 2. Make certain the lower handle is seated securely into the handle mounting brackets.

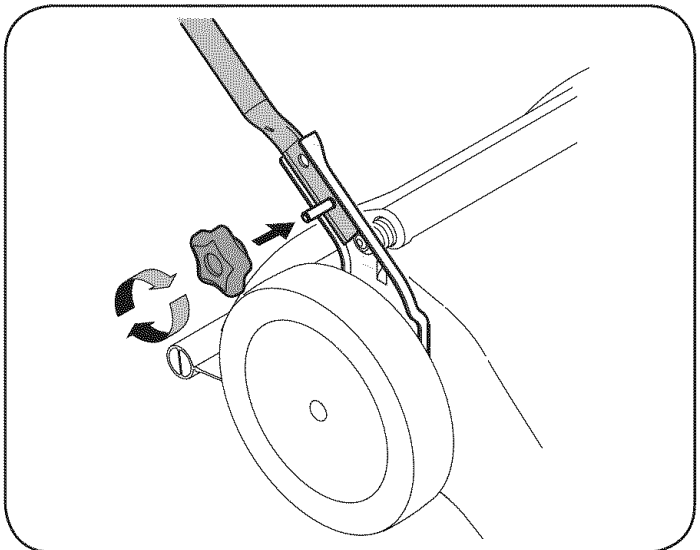


Figure 2

## ATTACHING THE GRASS CATCHER

1. Lift rear discharge door.
2. Remove mulching baffle. See Figure 3.

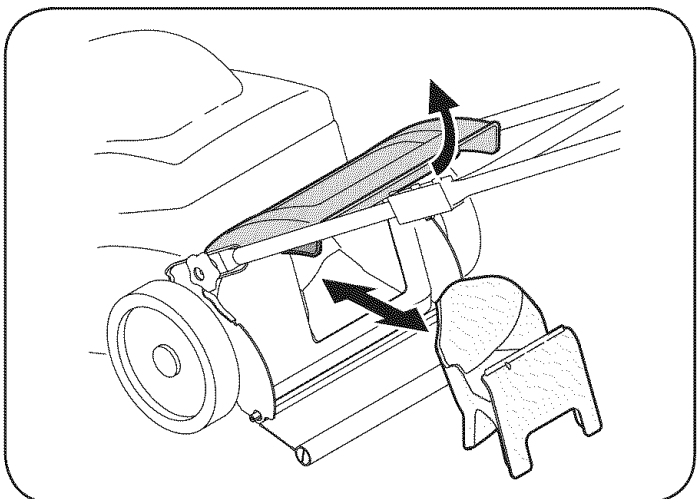


Figure 3



# ASSEMBLY

3. Place grass catcher on the pivot rod. Let go of discharge door so that it rests on the grass catcher. See Figure 4.

To remove the grass catcher, lift the rear discharge door on the mower. Lift the grass catcher up, off of the pivot rod. Release the rear discharge door.

## CONVERTING TO SIDE DISCHARGE

To convert to side discharge, make sure grass catcher is off of the unit. Replace the rear mulching baffle and close rear discharge door. To discharge grass to the side:

1. Lift mulching plug on the right side of mower.
2. Slide two hooks of side discharge chute under the hinge pin on the mulching plug assembly and lower the side mulching plug. See Figure 5.

**NOTE:** Do not remove the side mulching plug at any time, even when you are not mulching.

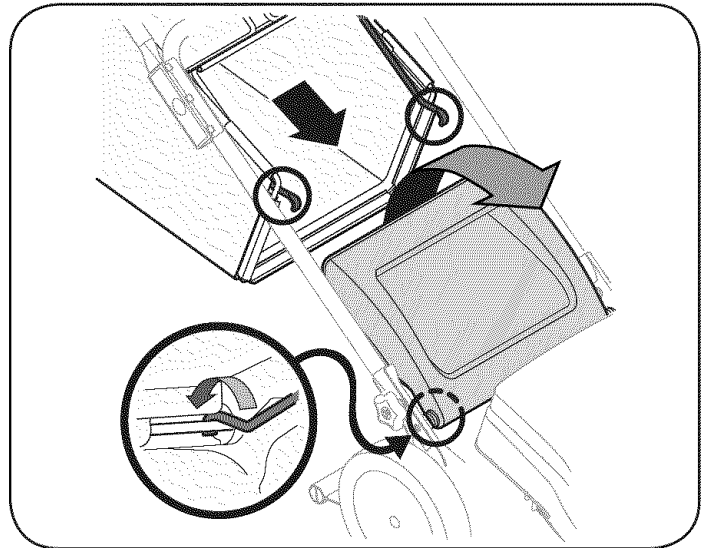


Figure 4

### **⚠ WARNING**

Never operate mower unless the hooks on the grass catcher are firmly seated on the pivot rod and the rear discharge door rests firmly against top of the grass catcher.

## CUTTING HEIGHT ADJUSTMENT

The cutting height adjustment lever is located above the rear left wheel.

See Figure 6.

1. Pull the lever out and away from the mower.
2. Move the lever forward or back for desired cutting height.
3. Release lever towards mower deck.

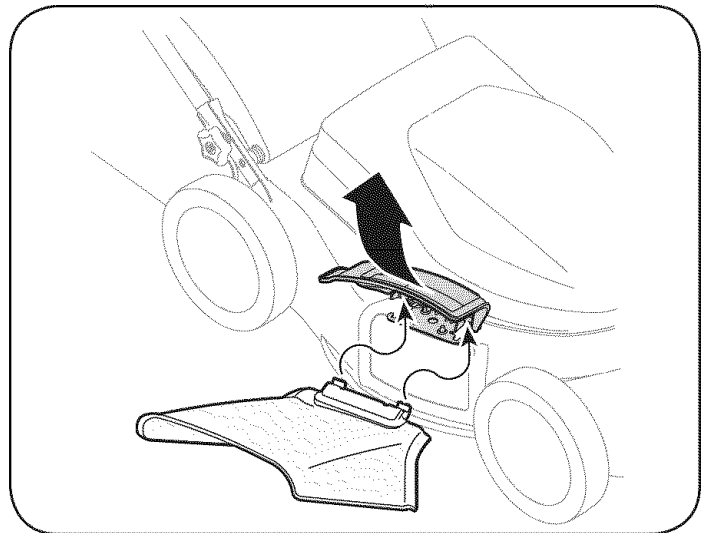
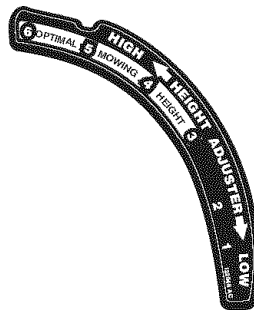


Figure 5

### **⚠ WARNING**

Do not at any time make any adjustment to lawn mower without first stopping motor and removing key.

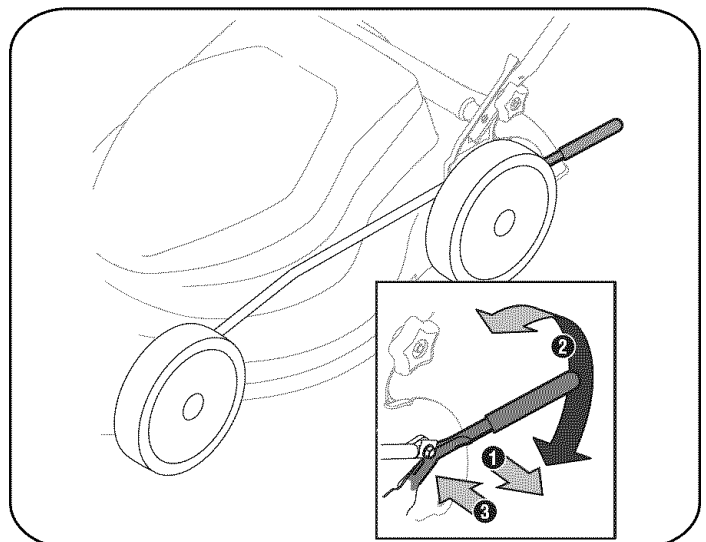


Figure 6

# KNOW YOUR MOWER

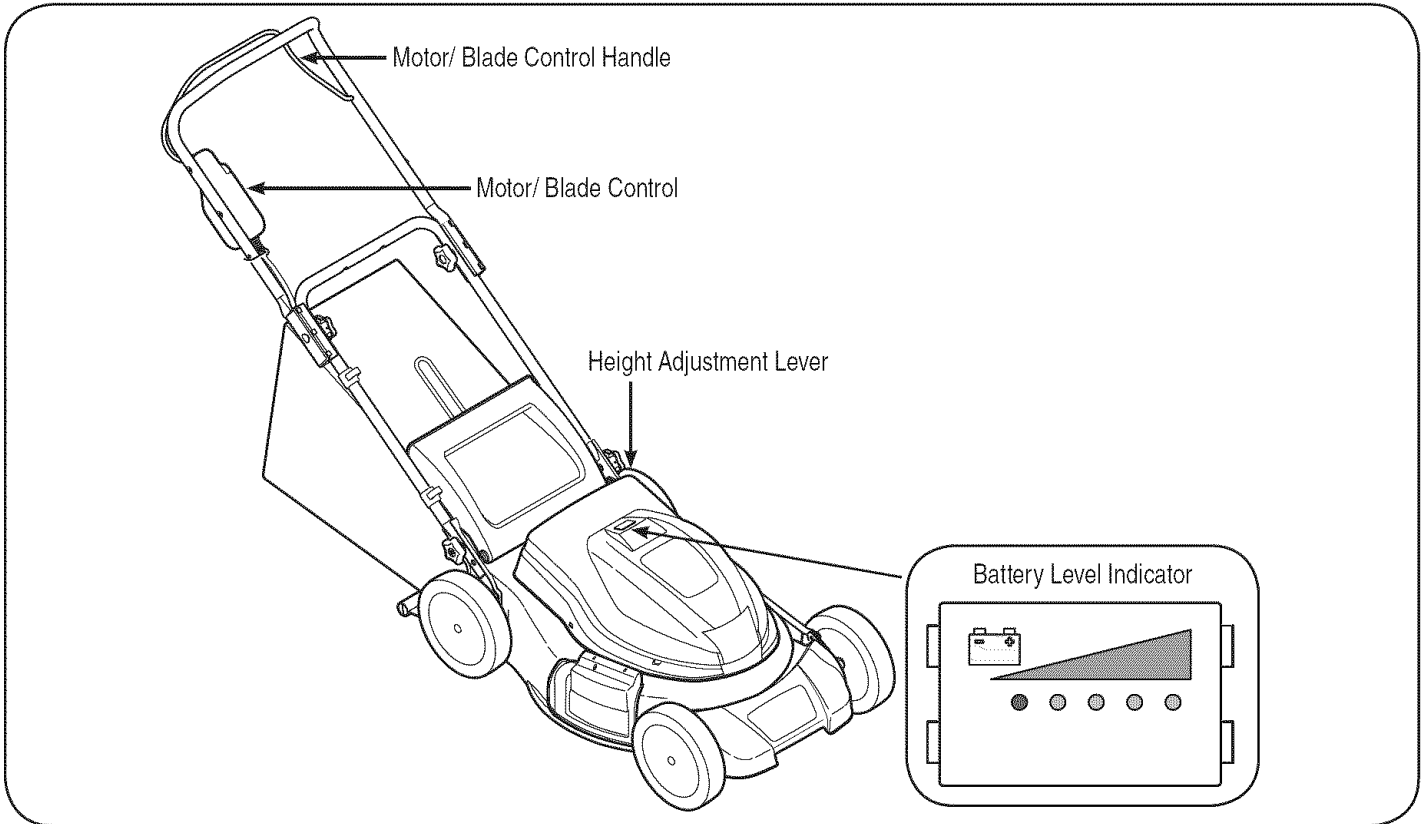


Figure 6

## MOTOR/BLADE CONTROL HANDLE

### ⚠ WARNING

The motor / blade control handle is a safety device. Never attempt to bypass its operations.

The motor/blade control handle is located on the upper handle of the mower. See Figure 6. The motor/blade control handle engages and disengages the motor and blade. The motor/blade control consists of three parts - starter button, motor/blade control handle, and key.

Release the motor/blade control handle to stop the motor and blade. Remove the key to prevent accidental starting when equipment is unattended.

### ⚠ WARNING

The blade will be rotating whenever the motor is running.

## HEIGHT ADJUSTMENT LEVER

The cutting height adjustment lever is located above the left rear wheel. To adjust the cutting height, refer to the Assembly Section.

## BATTERY LEVEL INDICATOR

The battery level indicator is located on the motor cover. The indicator shows the condition of the battery and is on when the motor is on. The indicator lit all the way to the right indicates the battery is fully charged; as the indicator is lit more toward the left, it indicates the battery is discharging. See Figure 6 inset.

**IMPORTANT:** If the far left red light illuminates, the batteries will need to be recharged before further use. Continued operation before charging may shorten the life of the batteries.

## CIRCUIT BREAKER RESET BUTTON

The mower is equipped with a circuit breaker reset button, located on the motor/blade control. Refer to Figure 7. This circuit breaker reset button may pop out when too much strain is placed on the motor. Refer to Maintenance Section to reset this button.

## KEY

The key must be present and inserted before the motor can be started. See Figure 7. **DO NOT TURN KEY.**

## CHARGING THE BATTERY

**Charge the mower for 14 hours before initial use.** Charge mower indoors in a dry area out of the weather. **DO NOT** charge in rain or wet locations.

**IMPORTANT:** Use only the battery charger provided with this mower (Part number 725-04387).

Plug the battery charger into the mower first, and then into any standard 110/120 volt household electrical outlet. See Figure 7 inset for battery charging location on mower.

**NOTE:** If an extension cord is required, use one that is at least wire size 16 AWG. Connect the extension cord to charger before plugging extension cord into electrical outlet.

## OPERATION

### **⚠ WARNING**

The battery contains corrosive fluid and toxic material - HANDLE WITH CARE. Keep away from children. Do not puncture, disassemble, mutilate, or incinerate. Explosive gases could be vented during charging or discharging. Use in a well ventilated area, away from sources of ignition.

**IMPORTANT:** Always recharge mower fully. The charger is a two stage charger. The first stage, equalize, supplies a higher voltage to the batteries. This helps speed charge time and balance the charge across the individual batteries. The second stage, float, supplies a lower voltage. This prevents the batteries from experiencing overcharging damage and also “tops off” the battery charge. Depending on battery condition the equalize stage will complete in approximately 8 hours. When the equalize stage is complete the charger’s green LED will stop blinking. This starts the float stage. During the float stage the charger’s green LED will be on continuously. The float stage will “top off” the batteries in approximately 4-6 hours, again, depending on the condition of the battery. However, a full 14 hour charge is always recommended.

**NOTE:** It is recommended that the mower be charged once every two months during storage.

**IMPORTANT:** Always disconnect battery charger (or extension cord, if used) from the electrical outlet first, then disconnect battery charger from mower.

### **STARTING THE MOWER AND BLADE**

1. Insert key. Refer to Figure 8.
2. Depress starter button on the motor/blade control.
3. Pull motor/blade control handle up against upper handle.
4. Release starter button when motor starts.

### **STOPPING THE MOTOR AND BLADE**

1. Release motor/blade control handle to stop motor and blade.

### **⚠ WARNING**

The blade continues to rotate for a few seconds after the motor is shut off. If motor does not come to a stop when the motor/blade control handle is released, contact your nearest Sears Service Center.

2. Remove the key to prevent accidental starting when equipment is unattended.
3. Charge the mower.

### **USING YOUR LAWN MOWER**

### **⚠ WARNING**

The operation of any lawn mower can result in foreign objects being thrown into the eyes, which can damage your eyes severely. Always wear safety glasses while operating the mower, or while performing any adjustments or repairs on it.

- Be sure that lawn is clear of stones, sticks, wires, or other objects which could damage the lawn mower or motor. Such objects could be accidentally thrown by the mower in any direction and cause serious personal injury to the operator and others.

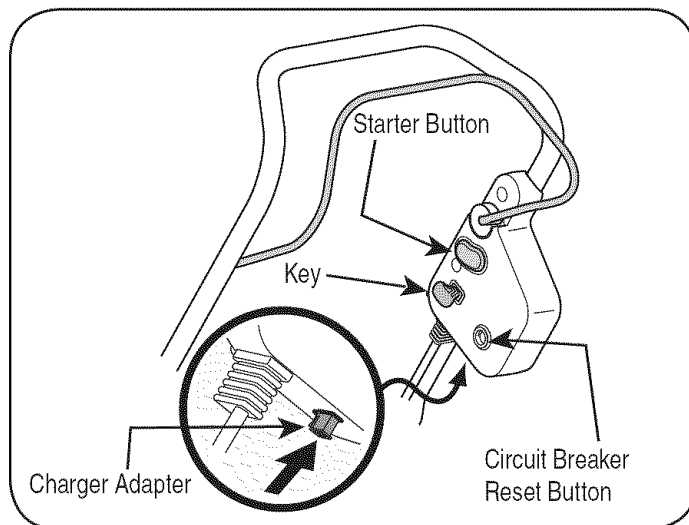


Figure 7

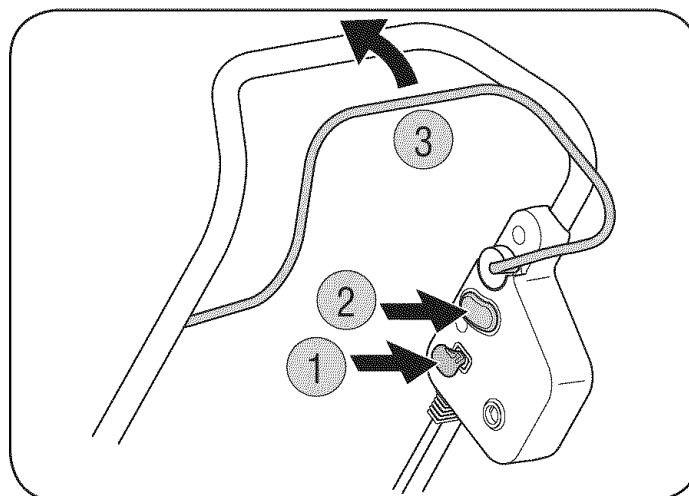


Figure 8

### **⚠ WARNING**

If you strike a foreign object, stop the motor, and remove the key. Thoroughly inspect the mower for any damage, and repair the damage before restarting and operating the mower. Excessive vibration of the mower during operation is an indication of damage. The unit should be promptly inspected and repaired.

- When using the side discharge, the most effective mowing pattern is one that allows the clippings to discharge towards the uncut part of the lawn.
- DO NOT use mower in the rain.
- For a healthy lawn, always cut off one-third or less of the total length of the grass.
- For best results, do not cut wet grass because it tends to stick to the underside of the deck preventing proper mulching or discharge of grass clippings. New or thick grass may require a narrower cut.

# SERVICE AND MAINTENANCE

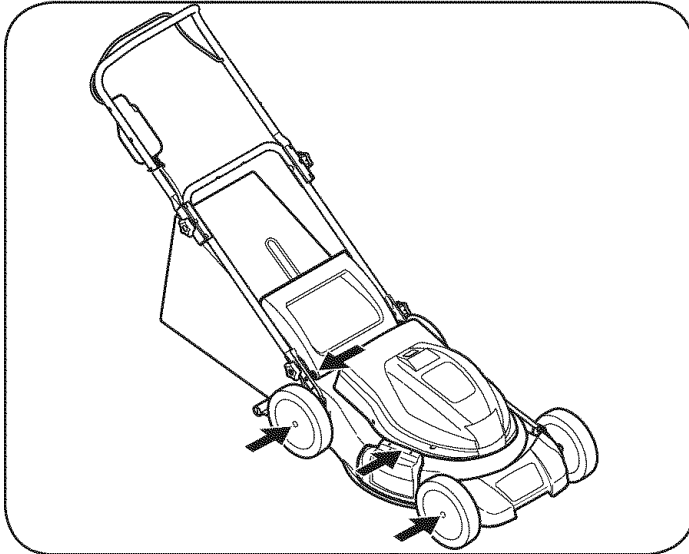


Figure 9

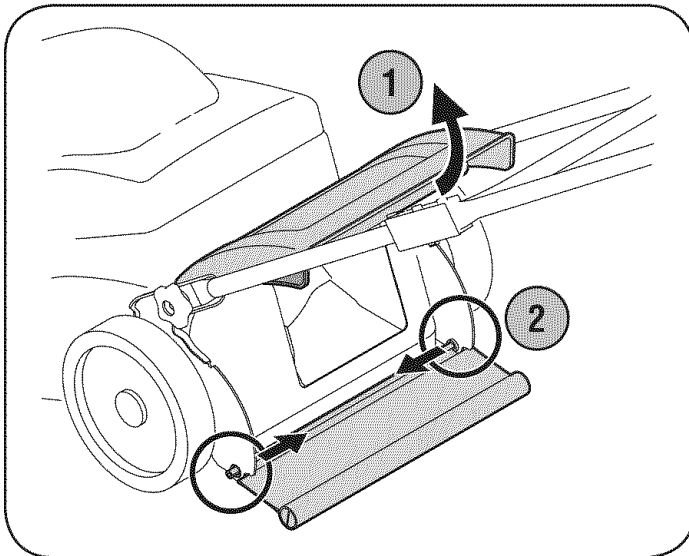


Figure 10

## GENERAL RECOMMENDATIONS

- Always observe safety rules when performing any type of maintenance.
- The warranty on this lawn mower does not cover items that have been subjected to operator abuse or negligence. To receive full value from warranty, operator must maintain the lawn mower as instructed here.
- All adjustments should be checked at least once each season.
- Periodically check all fasteners and make sure these are tight.

## LUBRICATION

### ⚠ WARNING

Always stop the motor and remove key before cleaning, lubricating or performing any repairs or maintenance on the lawn mower. Always wear safety glasses during operation or while performing any adjustments or repairs.

- Lubricate the wheels at least once a season with light oil (or motor oil). If wheels are removed for any reason, lubricate surface of the pivot arm and inner surface of the wheel with light oil. See Figure 9.
- Lubricate the torsion spring and pivot point on the rear discharge door and side mulch plug periodically with light oil to prevent rust. See Figure 9.

## DECK CARE

The underside of mower deck should be cleaned after each use as grass clippings, leaves, dirt and other debris will accumulate. This accumulation of grass clippings, etc., is undesirable as it will promote rust and corrosion.

1. Remove any buildup of grass and leaves on or around the motor cover (do not use water). Wipe the mower clean with a dry cloth occasionally.

### ⚠ WARNING

To reduce the risk of electric shock, do not expose the mower to water.

2. If debris is allowed to build up on the underside of the unit, tilt the mower and scrape it clean with a suitable tool (make certain the key is removed).

## REPLACING TRAILING SHIELD

### ⚠ WARNING

Never operate mower unless the trailing shield is in place and working. Never operate mower with damaged safety devices. Failure to do so, can result in personal injury.

The trailing shield is subject to wear and damage which could expose moving parts or allow objects to be thrown. For safety protection, frequently check the trailing shield and replace immediately with original equipment manufacturer's (OEM) part only, listed in this manual.

1. To remove trailing shield, lift rear door, and bend (bow) the trailing shield inward on each side to release tabs from the holes in the mower frame. See Figure 10.
2. Replace with new trailing shield by bending the shield to allow each tab to fit into holes in mower frame.

# SERVICE AND MAINTENANCE

## BLADE CARE

### ⚠ WARNING

When removing the cutting blade for sharpening or replacement, protect your hands with a pair of heavy gloves or use a heavy rag to hold the blade. Be certain to stop motor and remove key.

Periodically inspect the blade adapter for cracks, especially if you strike a foreign object. Replace when necessary. Follow the steps below for blade service.

### Blade Removal

1. Stop the motor and remove ignition key. Turn the mower on its side.
2. Place a 2x4 block of wood approximately 8.5" long between the deck housing and the cutting blade to act as a stabilizer. See Figure 11.
3. Loosen and remove the blade bolt, locking plate, and blade. See Figure 11.

### Blade Sharpening

**IMPORTANT:** If any metal separation is present, replace the blades with new ones.

1. To properly sharpen the cutting blades, remove equal amounts of metal from both ends of the blades along the cutting edges, parallel to the trailing edge, at a 25° to 30° angle. See Figure 12.
  - a. It is important that each cutting blade edge be ground equally to maintain proper blade balance. A poorly balanced blade will cause excessive vibration and may cause damage to the mower and result in personal injury. The blade can be tested by balancing it on a round shaft screwdriver. Grind metal from the heavy side until it balances evenly.

### ⚠ WARNING

An unbalanced blade will cause excessive vibration when rotating at high speeds. It may cause damage to mower and could break causing personal injury.

### Blade Installation

1. Place the cutting blade, locking plate, and blade bolt on the motor shaft and thread the blade bolt in finger tight.

**NOTE:** Make certain to replace the parts in the exact order in which they were removed. When installing the cutting blade, be sure it is installed with the curved ends pointing towards the mower deck and not towards the ground.

2. Torque the blade bolt down using a torque wrench to assure the bolt is tightened properly. The recommended torque for the blade bolt is 170-220 in. lbs.

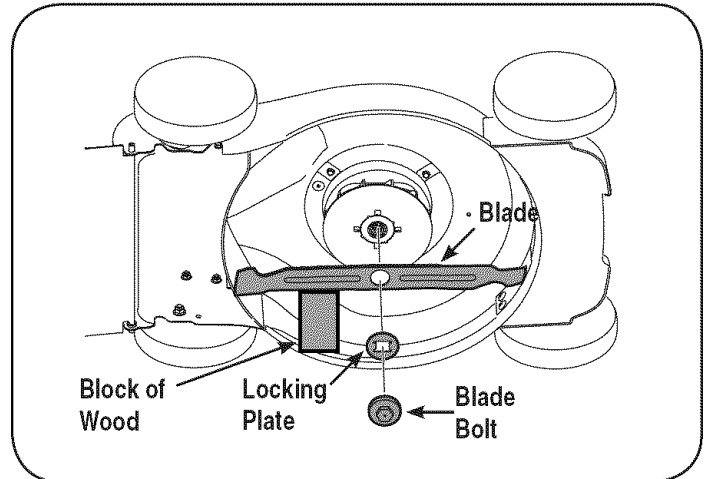


Figure 11

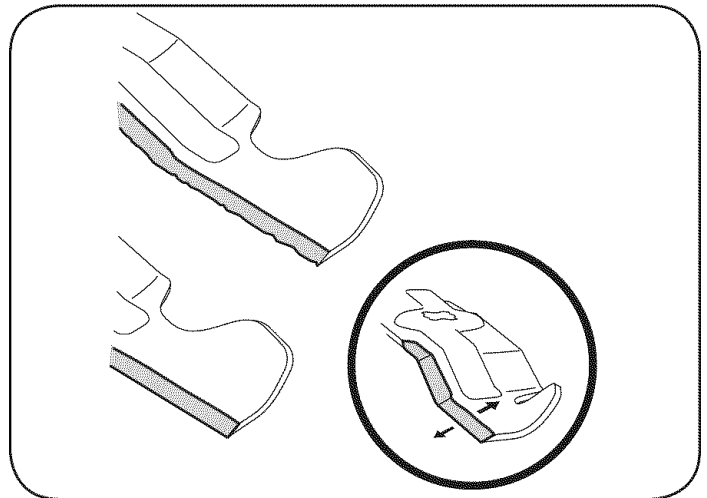


Figure 12

To ensure safe operation of your mower, periodically check the blade bolt for correct torque.

### ⚠ WARNING

The blade hardware is not only used to attach the blade assembly, but is also an insulated safety device and should never be altered in any way. If replacement is necessary, use original equipment parts as shown in the parts list.

# SERVICE AND MAINTENANCE

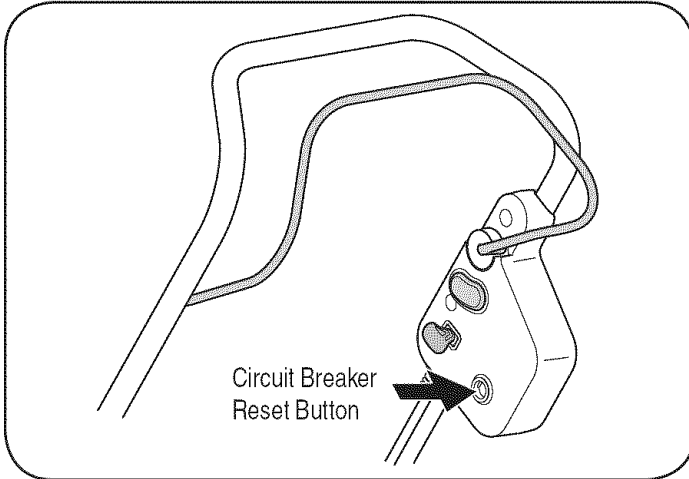


Figure 13

## RESETTING CIRCUIT BREAKER RESET BUTTON

This mower is equipped with a circuit breaker reset button to prevent overheating damage to the motor.

If the circuit breaker reset button pops out:

1. Release the motor/blade control handle and do NOT re-start the mower for at least one minute, allowing for the motor time to cool.
2. Press the circuit breaker reset button inward to reset. See Figure 13.

If the circuit breaker reset button pops out shortly after resetting:

1. Release the motor/blade control handle and do NOT re-start the mower for at least 15 minutes to allow the motor extra time to cool.
2. Press the circuit breaker reset button inward to reset.
3. Restart unit.

**NOTE:** If the circuit breaker reset button pops out repeatedly during operation or will not remain in when attempting to reset, contact your nearest Sears Service Center to arrange for repair.

## ⚠ WARNING

Due to a potential shock hazard, DO NOT attempt to remove the motor/battery shroud. There are no user serviceable parts inside. Contact your nearest Sears Service Center if repairs are needed.

## BATTERY CARE

**IMPORTANT:** Replace with only the identical battery provided with this mower (Part number 725-04381). The battery should only be replaced by a Sears Service Center.

## MAINTENANCE SCHEDULE

## ⚠ WARNING

Always stop the motor and remove key before cleaning, lubricating or performing any repairs or maintenance on the lawn mower. Always wear safety glasses during operation or while performing any adjustments or repairs.

Follow the maintenance schedule given below. This chart describes service guidelines only. Use the Service Log column to keep track of completed maintenance tasks. **To locate the nearest Sears Service Center or to schedule service, simply contact Sears at 1-800-4-MY-HOME®.**

Interval	Item	Service	Service Log
Each Use	<ol style="list-style-type: none"> <li>1. Mower blades</li> <li>2. Loose or missing hardware</li> <li>3. Controls</li> <li>4. Motor</li> <li>5. Deck</li> </ol>	<ol style="list-style-type: none"> <li>1. Sharpen as required</li> <li>2. Tighten or replace</li> <li>3. Check for proper operation</li> <li>4. Remove any buildup of grass and leaves on or around the motor cover (do not use water).</li> <li>5. Clean underside of deck with a suitable tool (do not use water).</li> </ol>	
Annually or 25 hours	<ol style="list-style-type: none"> <li>1. Wheels</li> <li>2. Rear discharge door and side mulch plug</li> <li>3. Mower blades</li> </ol>	<ol style="list-style-type: none"> <li>1. Lube with light oil</li> <li>2. Lube torsion spring and pivot point with light oil.</li> <li>3. Sharpen and balance</li> </ol>	
Before Storage	<ol style="list-style-type: none"> <li>1. Battery</li> </ol>	<ol style="list-style-type: none"> <li>1. Fully charge</li> </ol>	
During Storage	<ol style="list-style-type: none"> <li>1. Battery</li> </ol>	<ol style="list-style-type: none"> <li>1. Charge every two months</li> </ol>	

## OFF-SEASON STORAGE

### PREPARING THE LAWN MOWER

The following steps should be taken to prepare your lawn mower for storage:

- Lubricate mower thoroughly as described in the lubrication instructions.
- Remove any buildup of grass and leaves on or around the motor cover (do not use water). Wipe the mower clean with a dry cloth.
- If debris is allowed to build up on the underside of the unit, tilt the mower and scrape it clean with a suitable tool (make certain the key is removed).

- Store mower fully charged.

**IMPORTANT:** We strongly recommend the mower be charged once every two months during storage.

- Store mower in a dry, clean area. Do not store next to corrosive materials, such as fertilizer.
- Wipe the cord to remove any stains or foreign substance such as oil.
- Coat mower's cutting blade with chassis grease to prevent rusting.

# TROUBLESHOOTING

## ⚠ WARNING

Always stop the motor and remove key before cleaning, lubricating or performing any repairs or maintenance on the lawn mower. Always wear safety glasses during operation or while performing any adjustments or repairs.

## ⚠ WARNING

Replacement fuse must be a UL listed or recognized component, rated 40 amp, 58 volt. If mower blows fuse, contact your nearest authorized service dealer for repair. Do not use any other type or size fuse.

Problem	Cause	Remedy
Motor fails to start	<ol style="list-style-type: none"> <li>1. Key not in switch</li> <li>2. Motor/blade control disengaged.</li> <li>3. Battery discharged.</li> <li>4. Mower deck clogged with grass and debris.</li> </ol>	<ol style="list-style-type: none"> <li>1. Insert ignition key.</li> <li>2. Depress starter button, and engage motor blade control.</li> <li>3. Charge battery.</li> <li>4. Unclog mower deck. Make certain blade is free to move.</li> </ol>
Mower stops while mowing	<ol style="list-style-type: none"> <li>1. Discharged battery.</li> <li>2. Cutting too much grass.</li> <li>3. Clogged deck.</li> <li>4. Circuit breaker reset button is tripped.</li> </ol>	<ol style="list-style-type: none"> <li>1. Charge battery.</li> <li>2. Raise cutting height.</li> <li>3. Unclog mower deck. Raise cutting height, or cut a narrower swath.</li> <li>4. Reset the circuit breaker reset button following the instructions in the Service and Maintenance section of this manual.</li> </ol>
Excessive vibration	<ol style="list-style-type: none"> <li>1. Cutting blade loose.</li> <li>2. Cutting blade unbalanced.</li> <li>3. Bent cutting blade.</li> <li>4. Bent motor shaft.</li> </ol>	<ol style="list-style-type: none"> <li>1. Tighten blade bolt.</li> <li>2. Balance blade following the instructions in the Service and Maintenance section of this manual.</li> <li>3. Replace blade.</li> <li>4. Contact nearest Sears Service Center.</li> </ol>
Mower will not mulch grass	<ol style="list-style-type: none"> <li>1. Mower deck clogged.</li> <li>2. Wet grass.</li> <li>3. Excessively high grass.</li> <li>4. Dull blade.</li> </ol>	<ol style="list-style-type: none"> <li>1. Unclog mower deck. Make certain blade is free to move.</li> <li>2. Do not mow when grass is wet; wait until later to cut.</li> <li>3. Mow once at a high cutting height, then mow again at desired height or make a narrower cutting swath (1/2 width).</li> <li>4. Sharpen or replace blade.</li> </ol>
Uneven cut	<ol style="list-style-type: none"> <li>1. Dull blade.</li> </ol>	<ol style="list-style-type: none"> <li>1. Sharpen or replace blade.</li> </ol>

## NEED MORE HELP?

You'll find the answer and more on [managemyhome.com](http://managemyhome.com) – for free!

- Find this and all your other product manuals online.
- Get answers from our team of home experts.
- Get a personalized maintenance plan for your home.
- Find information and tools to help with home projects.

**manage my home**

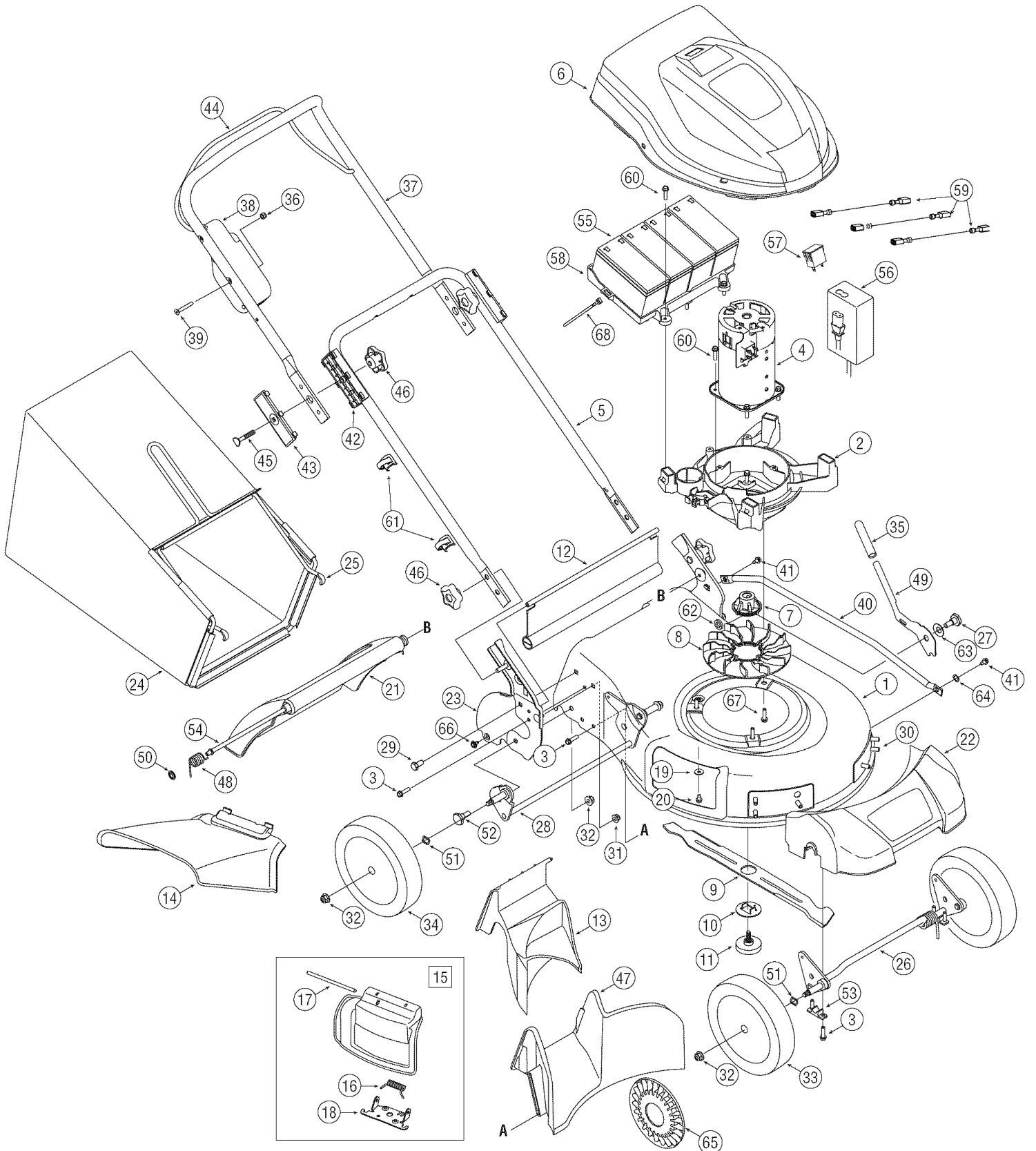
brought to you by Sears



# NOTES

# PARTS LIST

## 19-inch Rechargeable Rotary Mower — Model No. 247.370480



# PARTS LIST

## 19-inch Rechargeable Rotary Mower — Model No. 247.370480

Ref. No.	Part No.	Description
1	787-01649	19" Deck
2	731-05727	Motor Bracket
3	710-1241	Screw, 1/4-15 x 1.000
4	724-04025	Motor, 48V
5	749-04312	Lower Handle
6	731-05753	Battery Shroud
7	731-2095A	Blade Hub
8	731-05832	Electric Fan
9	742-04152	Mulching Blade
10	782-7051	Blade Locking Plate
11	624-0078	Blade Bolt Assembly
12	731-05639A	Trail Shield
13	731-05746	Rear Mulch Plug
14	731-04177	Side Discharge Chute
15	687-02055	Mulch Plug (Incl. 16-18)
16	732-1014	Torsion Spring
17	747-0710	Hinge Pin
18	17032A	Chute Deflector Adapter
19	736-0270	Beleville Washer
20	710-0599	Screw
21	731-05686	Rear Door
22	731-05634	Front Cover
23	687-02325	Handle Bracket - RH
	687-02324	Handle Bracket - LH
24	664-04076	Grass Bag
25	647-04082	Grass Bag Frame
26	687-02225	Front Bracket Assembly
27	738-0148	Screw, Shoulder, .50 x .66
28	687-02228	Rear Bracket Assembly
29	710-3025	Hhcs, 5/16-18 x .625
30	710-1242	Screw, 5/16-14 x .750
31	712-04063	Nut, Flange Lock, 5/16-18
32	712-04065	Nut, Flange Lock, 3/8-16
33	734-04176	Front Wheel
34	734-2004A	Rear Wheel

Ref. No.	Part No.	Description
35	720-0230	Foam Grip
36	712-0324	Nut, Hex Lock, 1/4-20
37	749-04353	Upper Handle
38	625-04037	Motor/Blade Control
39	710-04213	Screw, Flat, 1/4-20 x 1.75
40	749-04356	Cross Bracket
41	738-04278	Screw, Shldr., 1/4-20 x .50
42	731-05186	Lower Handle Insulator
43	731-05178	Upper Handle Insulator
44	747-04663	Motor/Blade Control Handle
45	710-0572	Bolt Carriage, 5/16-18 x 2.50
46	720-04072	Star Knob
47	731-05710	Rear Baffle
48	732-04264	Door Torsion Spring - RH
	732-04265	Door Torsion Spring - LH
49	732-04377	Spring Lever
50	726-0201	Nut, Speed
51	736-0504	Washer, Wave, .510 x .750 x .017
52	738-0507B	Screw, Shoulder, .500 Dia. X .434
53	741-0492A	Bushing, Block, .505 Dia. X .62
54	747-04589	Rear Door Pivot Rod
55	725-04381	Battery, 12V
56	725-04387	Battery Charger
57	725-04438	Battery Level Indicator
58	731-05754	Battery Tray
59	725-04497	Battery Jumper
60	710-0895	Screw, 1/4-15 x .750
61	731-2422	Cable Guide
62	731-05880	Spacer, .515 x 1.00 x .310 Lg.
63	736-0255	Washer, Bell, .510 x 1.14 x .040
64	736-3012A	Washer, Wave, .390 x .825 x .016
65	731-0981A	Hubcap
66	710-1268	Screw, #10-16 x .375
67	710-0726	Screw, 5/16-12 x .750
68	726-0230	Cable Tie

## REPAIR PROTECTION AGREEMENT

Congratulations on making a smart purchase. Your new Craftsman® product is designed and manufactured for years of dependable operation. But like all products, it may require repair from time to time. That's when having a Repair Protection Agreement can save you money and aggravation.

Here's what's included in the Agreement:

- Expert service by our 12,000 professional repair specialists
- Unlimited service and no charge for parts and labor on all covered repairs
- Product replacement if your covered product can't be fixed
- Discount of 10% from regular price of service and service-related parts not covered by the agreement; also, 10% off regular price of preventive maintenance check
- Fast help by phone – phone support from a Sears technician on products requiring in-home repair, plus convenient repair scheduling

Purchase a Repair Protection Agreement now and protect yourself from unexpected hassle and expense.

Once you purchase the Agreement, a simple phone call is all that it takes for you to schedule service. You can call anytime day or night, or schedule a service appointment online.

Sears has over 12,000 professional repair specialists, who have access to over 4.5 million quality parts and accessories. That's the kind of professionalism you can count on to help prolong the life of your new purchase for years to come. Purchase your Repair Protection Agreement today!

**Some limitations and exclusions apply. For prices and additional information call 1-800-827-6655.**

### **Sears Installation Service**

For Sears professional installation of home appliances, garage door openers, water heaters, and other major home items, in the U.S.A. call 1-800-4-MY-HOME®

# ÍNDICE

Declaración de garantía.....	21	Servicio y Mantenimiento .....	30-32
Instrucciones de seguridad.....	22-23	Almacenamiento fuera de temporada .....	33
Guía de cuesta .....	24	Solución de problemas .....	34
Etiquetas de seguridad .....	25	Piezas de Reemplazo.....	18 (Manual inglés)
Montaje .....	26-27	Número de servicio .....	Cubierta posterior
Operación.....	28-29		

## DECLARACIÓN DE GARANTÍA

### Garantía de dos años de Craftsman

Si este producto Craftsman falla debido a un defecto en los materiales o la mano de obra dentro de los dos años de la fecha de compra, sírvase devolverlo a cualquier tienda Sears, Centro de servicio Sears, u otro punto de venta Craftsman en los Estados Unidos para su reparación sin cargo.

Esta garantía no cubre:

- Artículos de duración limitada que pueden desgastarse bajo condiciones normales de uso durante el período de garantía, tales como correas y cuchillas de cortadora rotativas.
- Las reparaciones requeridas debido a abuso o negligencia del operador, incluyendo abolladuras del cigüeñal y no operar o mantener el equipo de acuerdo con las instrucciones suministradas.

Esta garantía sólo tendrá validez durante 90 días si este producto se utiliza en cualquier momento para fines comerciales o de alquiler.

Esta garantía sólo tendrá validez mientras el producto se utilice en los Estados Unidos.

Esta garantía le otorga derechos legales específicos, pero usted podría gozar de otros derechos en razón de su lugar de residencia.

**Sears, Roebuck and Co., Hoffman Estates, IL 60179**

## ESPECIFICACIONES DEL PRODUCTO

Batería:	12 Voltios
Motor:	48 Voltios DC

## NÚMERO DE MODELO

Número de modelo	_____
Número de serie	_____
Fecha de compra	_____

Registre el número de modelo, número de serie y fecha de compra más arriba.

# INSTRUCCIONES DE SEGURIDAD

## ⚠️ ADVERTENCIA



La presencia de este símbolo indica que se trata de instrucciones de seguridad importantes que debe respetar para evitar poner en riesgo su seguridad personal y/o material y la de los demás.

Lea y siga todas las instrucciones de este manual antes de poner en funcionamiento esta máquina. Si no respeta estas instrucciones puede provocar lesiones personales. Cuando vea este símbolo, ¡TENGA EN CUENTA LA ADVERTENCIA!

**Su responsabilidad:** Restrinja el uso de esta máquina motorizada a las personas que lean, comprendan y respeten las advertencias e instrucciones que figuran en este manual y sobre la máquina.

## ⚠️ PELIGRO

Esta máquina está diseñada para ser utilizada respetando las reglas de seguridad contenidas en este manual. Al igual que con cualquier tipo de equipo motorizado, un descuido o error por parte del operador puede producir lesiones graves. Esta máquina es capaz de amputar manos y pies y de arrojar objetos con gran fuerza. De no respetar las instrucciones de seguridad siguientes se pueden producir lesiones graves o la muerte.

## ⚠️ ADVERTENCIA

Cuando se utilizan cortadoras de césped eléctricas, se deben cumplir siempre las precauciones básicas de seguridad para reducir la posibilidad de incendios, descargas eléctricas y lesiones personales. Estas precauciones básicas incluyen:

## Niños

Pueden ocurrir accidentes trágicos si el operador no está atento a la presencia de niños. Por lo general a los niños les atraen las cortadoras y la actividad de cortar el césped. No entienden los riesgos ni los peligros. Nunca suponga que los niños permanecerán en el lugar donde los vio por última vez.

- Mantenga a los niños fuera del área de trabajo y bajo estricta vigilancia de un adulto responsable además del operador.
- Esté alerta y apague la cortadora si un niño ingresa al área.
- Antes de moverse hacia atrás y mientras lo esté haciendo, mire hacia atrás y cuide que no haya niños.
- Tenga mucho cuidado cuando se aproxime a las esquinas ciegas, puertas, arbustos, árboles u otros objetos que puedan obstaculizarle la vista de un niño que pudiese correr hacia la cortadora.
- Nunca permita que niños menores de 14 años operen esta máquina. Los niños mayores de 14 años deben leer y entender las instrucciones de funcionamiento y reglas de seguridad contenidas en este manual y deben ser entrenados y supervisados por sus padres.

## Funcionamiento

### Funcionamiento general:

- Lea y siga todas las instrucciones contenidas en este manual antes de intentar ensamblar esta máquina. Lea, comprenda y respete todas las instrucciones que figuran en la máquina y en el(los) manual(es) antes de hacerla funcionar. Antes de hacer funcionar este equipo, familiarícese totalmente con los controles y el uso correcto del mismo. Guarde este manual en un lugar seguro para consultas futuras y periódicas, así como para solicitar repuestos.
- Esta máquina es un equipo motorizado de precisión, no un juguete. Por lo tanto, tenga mucho cuidado en todo momento. Esta unidad fue diseñada para realizar una tarea: cortar el césped. No la utilice para ningún otro fin.
- No fuerce la cortadora – trabajará mejor y con más seguridad a la velocidad para la cual fue diseñada.
- No permita nunca que los niños menores de 14 años utilicen esta máquina. Los niños mayores de 14 años deben leer y entender las instrucciones de operación contenidas en este manual, y deben ser entrenados y supervisados por sus padres. Sólo se debe permitir usar esta máquina a individuos responsables y familiarizados con sus reglas de seguridad.

- Inspeccione minuciosamente el área donde utilizará el equipo. Retire todas las piedras, palos, alambre, huesos, juguetes y otros objetos extraños que podrían hacer tropezar o ser recogidos y arrojados por la acción de la cuchilla. Los objetos arrojados por la máquina pueden producir lesiones graves. Planifique el patrón de corte ha seguir para evitar descargar el material en los caminos, las veredas, los observadores, etc. Evite además descargar material contra una pared u obstrucción que podría hacer que el material descargado rebote contra el operador.
- Para ayudar a evitar el contacto con la cuchilla o una lesión por un objeto arrojado, manténgase en la zona del operador detrás de las manijas y mantenga a los niños, observadores, ayudantes y mascotas apartados al menos 25 metros de la podadora mientras está en funcionamiento. Detenga la máquina si alguien entra en el área.
- Para protegerse los ojos utilice siempre anteojos o antiparras de seguridad mientras opera la máquina o mientras hace ajustes o la repara. Los objetos arrojados que rebotan pueden producir lesiones oculares graves.
- Utilice zapatos de trabajo resistentes, de suela fuerte, así como pantalones y camisas ajustados. Se recomienda vestir camisa y pantalón para cubrir brazos y piernas y usar zapatos con puntera de acero. Nunca opere esta máquina descalzo, con sandalias, zapatos resbalosos o livianos (por ej. de lona).
- No ponga las manos o los pies cerca de las piezas rotatorias ni debajo de la plataforma de corte. El contacto con las cuchillas puede producir la amputación de manos y pies.
- Una cubierta de descarga faltante o dañada puede provocar el contacto con la cuchilla o lesiones por objetos arrojados.
- Muchas lesiones ocurren como resultado de pasar la cortadora sobre los pies durante una caída luego de resbalar o tropezar. No se sostenga de la cortadora si se está cayendo, suelte la manija inmediatamente.
- Nunca tire la cortadora hacia usted mientras camina. Si debe retroceder con la cortadora para evitar una pared u obstáculo, mire primero abajo y atrás para evitar tropezarse y luego siga estos pasos:
  - Retroceda de la cortadora hasta estirar completamente los brazos.
  - Asegúrese que está bien equilibrado y bien parado.
  - Jale la cortadora lentamente hacia usted, no más de la mitad de la distancia entre usted y la cortadora.
  - Repita estos pasos tantas veces como sea necesario.
- No opere esta cortadora bajo los efectos del alcohol o las drogas.
- Manténgase alerta: Observe lo que está haciendo. Utilice el sentido común. No utilice la cortadora si está cansado.

# INSTRUCCIONES DE SEGURIDAD

- La manija de control del motor/la cuchilla es un dispositivo de seguridad. Nunca intente evitar su funcionamiento. De hacerlo, dejarían de operar los dispositivos de seguridad y podrían producirse lesiones personales por el contacto con la cuchilla giratoria. La manija de control del motor/la cuchilla debe funcionar fácilmente en ambas direcciones y regresar automáticamente a la posición desenganchada cuando se la suelta.
- No cargue la cortadora bajo la lluvia o en condiciones húmedas.
- Nunca haga funcionar la cortadora en la lluvia o sobre el césped mojado. Siempre esté seguro de estar bien parado. Si resbala y cae puede lesionarse seriamente. Si siente que pierde el equilibrio, suelte inmediatamente la manija de control del motor/la cuchilla y la cuchilla dejará de rotar en tres segundos.
- Corte el césped solamente con luz de día o con una buena luz artificial. Camine, nunca corra.
- Detenga la cuchilla cuando cruce sendas, senderos o caminos de grava.
- Si la máquina comenzara a vibrar de manera anormal, detenga el motor, y busque inmediatamente la causa. La vibración por lo general es una advertencia de algún problema.
- Apague el motor y espere hasta que la cuchilla se detenga completamente antes de retirar el colector de césped o destapar la tolva. La cuchilla continúa rotando por unos cuantos segundos después que el motor se ha apagado. Nunca coloque ninguna parte del cuerpo en el área de la cuchilla hasta que esté seguro de que la misma ha detenido su movimiento giratorio.
- Nunca haga funcionar la cortadora sin el correspondiente escudo posterior, la cubierta de descarga, el colector de césped, la manija de control del motor/la cuchilla y otros dispositivos de seguridad y protección colocados y funcionando. Nunca opere la cortadora si los dispositivos de seguridad están dañados. De lo contrario, pueden producirse lesiones personales.
- Utilice solamente partes y accesorios manufacturados especialmente para esta máquina por el fabricante. Si no lo hace, pueden producirse lesiones personales.
- Si se presentan situaciones que no están previstas en este manual, tenga cuidado y use el sentido común. Comuníquese con su centro de servicio Sears para obtener ayuda.

## Funcionamiento en pendientes:

Las pendientes son un factor importante que se relaciona con los accidentes producidos por derrapes y caídas y que pueden producir lesiones graves. La operación en pendientes requiere mucha precaución. Si no se siente seguro en una pendiente, no corte el césped. Para su seguridad, use el indicador de pendientes que se incluye como parte de este manual para medir la pendiente antes de operar la unidad en una zona inclinada. Si la pendiente supera los 15 grados, no corte el césped.

## Haga lo siguiente:

- Corte en sentido transversal a la cara de la pendiente, nunca hacia arriba y abajo. Tenga mucho cuidado al cambiar de dirección en una pendiente.
- Esté atento a los agujeros, raíces, rocas, objetos ocultos o abultamientos que puedan hacerlo resbalar o tropezar. El césped alto puede ocultar obstáculos.
- Siempre esté seguro de estar bien parado. Si resbala y cae puede lesionarse seriamente. Si siente que pierde el equilibrio, suelte inmediatamente la manija de control del motor/la cuchilla y la cuchilla dejará de girar en tres (3) segundos.

## No haga lo siguiente:

- No corte el césped cerca de caídas, zanjas o terraplenes, puede perder el equilibrio.
- No corte en pendientes mayores de 15 grados como ilustra el indicador de pendientes.
- No corte el césped mojado. Si no está firmemente parado, puede resbalarse.

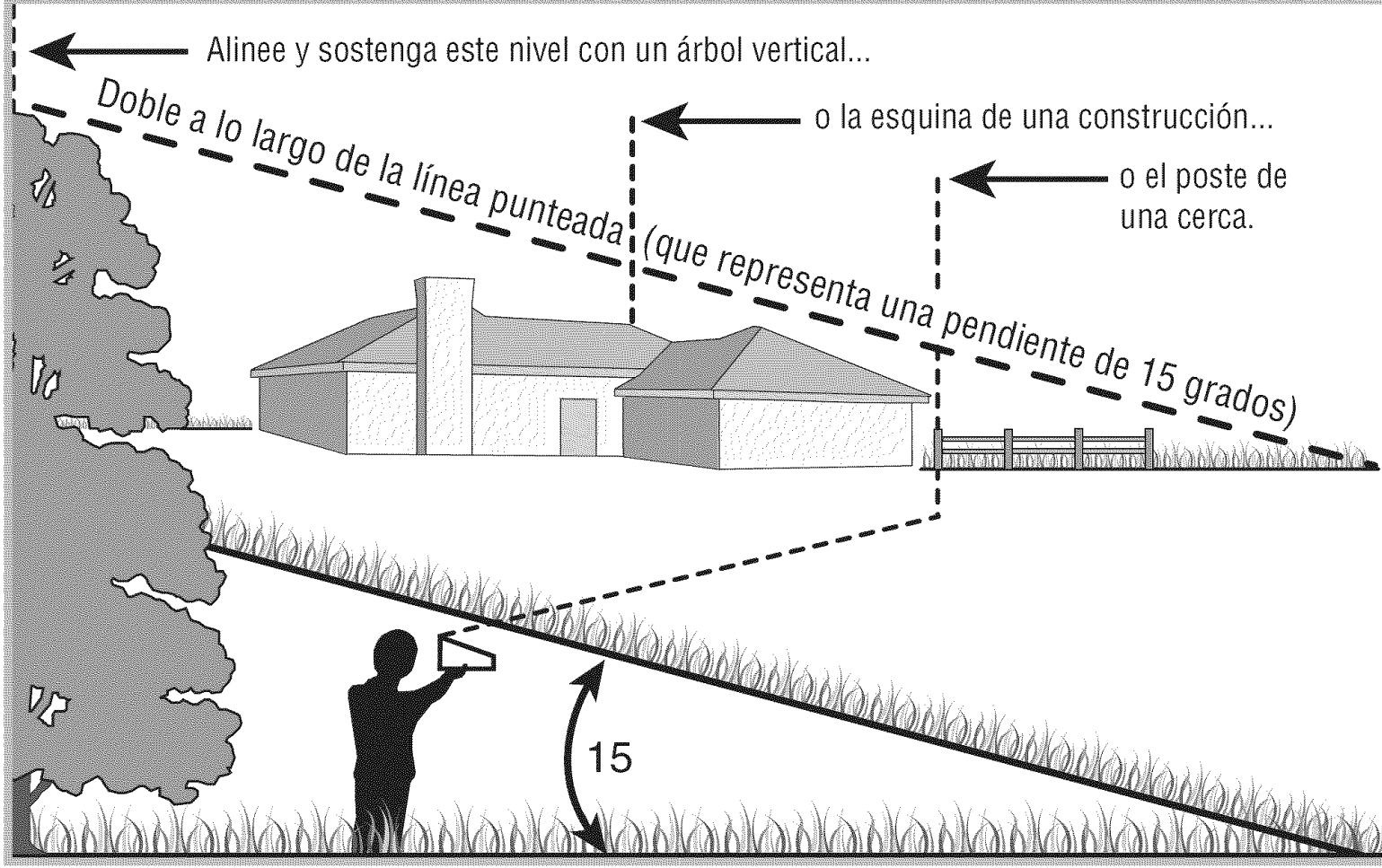
## Servicio

- Si el interruptor de protección contra sobrecarga incorporado se desconecta frecuentemente, póngase en contacto con el Centro de servicio Sears más cercano para hacerlo reparar.
- Cuando no la use, saque la llave y almacene la cortadora de césped en el interior. Permita que el motor se enfríe antes de almacenarlo en cualquier recinto. La cortadora de césped se debe almacenar en un lugar seco, alto y bajo llave, fuera del alcance de los niños.
- Cuando efectúe el mantenimiento utilice sólo partes de reemplazo idénticas de la lista de este manual. "El uso de piezas que no cumplen con las especificaciones del equipo original podría tener como resultado un rendimiento incorrecto y además poner en riesgo la seguridad".
- Antes de limpiar, reparar o inspeccionar la máquina, compruebe que la cuchilla y todas las partes móviles se hayan detenido. Saque la llave para evitar el arranque accidental.
- Saque la llave antes de efectuar el mantenimiento, limpiar o retirar material de la cortadora.
- Siga las instrucciones para lubricar y reemplazar los accesorios.
- Mantenga las manijas secas, limpias y sin aceite o grasa.
- Para reducir la posibilidad de incendio mantenga la tapa del motor sin pasto, hojas y otros desechos acumulados.
- Revise los pernos de montaje de la cuchilla y del motor a intervalos frecuentes para verificar que estén bien apretados. Además, inspeccione visualmente la cuchilla para ver si está dañada (por ejemplo, doblada, rajada, gastada). Reemplace la cuchilla únicamente por otra del fabricante del equipo original (OEM) que aparece en este manual.
- Conserve la cortadora en buenas condiciones: Mantenga la cuchilla afilada y limpia para un mejor y más seguro rendimiento. Las cuchillas de la cortadora son afiladas y pueden cortar, envuelva la cuchilla o use guantes y extreme las precauciones al efectuar el mantenimiento.
- Mantenga todos los pernos, tuercas y tornillos bien ajustados para asegurarse de que la máquina se encuentra en condiciones seguras de funcionamiento.
- Nunca altere los dispositivos de seguridad. Controle periódicamente que funcionen correctamente.
- Nunca intente ajustar una rueda o la altura de corte mientras el motor está en marcha.
- Después de golpear un objeto extraño, detenga el motor, saque la llave e inspeccione detenidamente la cortadora para verificar si se produjo algún daño. Repare el daño antes de hacer funcionar la cortadora.
- Los componentes del colector de césped, la cubierta de descarga y el escudo posterior, están sujetos a desgaste y daños que podrían dejar expuestas las partes móviles o permitir que se arrojen objetos. Para proteger su seguridad, verifique frecuentemente todos los componentes y reemplácelos inmediatamente sólo por piezas del fabricante del equipo original (OEM) que aparecen en este manual.

## GUARDE ESTAS INSTRUCCIONES

## GUÍA DE CUESTA

Use esta página como guía para determinar las inclinaciones de las pendientes en las que podría no tener una operación segura. No opere la podadora en dichas pendientes.




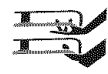



No opere en inclinaciones mayores a 15 grados (elevación aproximada de 2 1/2 pies por cada 10 pies). Una podadora en movimiento podría voltearse y causar lesiones severas. Si en una pendiente opera una podadora ubicado detrás de la misma, es extremadamente difícil mantener el equilibrio y podría resbalarse y sufrir lesiones graves.

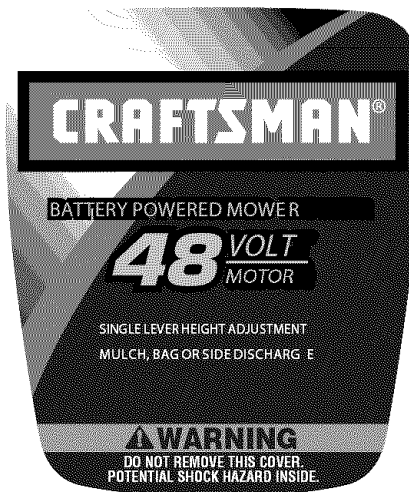


La presencia de este símbolo indica que se trata de instrucciones importantes de seguridad que se deben respetar para evitar poner en peligro su seguridad personal y/o material y la de otras personas. Lea y siga todas las instrucciones de este manual antes de poner en funcionamiento esta máquina. Si no respeta estas instrucciones puede provocar lesiones personales. Cuando vea este símbolo, ¡TENGA EN CUENTA LA ADVERTENCIA!



# ETIQUETAS DE SEGURIDAD

				
<b>⚠ DANGER</b>		<b>AVOID SERIOUS INJURY OR DEATH</b>		
<ul style="list-style-type: none"> <li>• TO REDUCE THE RISK OF ELECTRIC SHOCK, DO NOT EXPOSE UNIT TO WATER OR OPERATE UNIT ON WET GROUND.</li> <li>• REMOVE KEY BEFORE SERVICING OR REMOVING BLADE.</li> <li>• KEEP HANDS AND FEET AWAY FROM ROTATING PARTS.</li> <li>• DO NOT MOW WHEN CHILDREN OR OTHERS ARE AROUND.</li> </ul>		<ul style="list-style-type: none"> <li>• REMOVE OBJECTS THAT CAN BE THROWN BY THE BLADE IN ANY DIRECTION. WEAR SAFETY GLASSES.</li> <li>• USE EXTRA CAUTION ON SLOPES. DO NOT MOW SLOPES GREATER THAN 15°. MOW ACROSS, NEVER UP AND DOWN. NEVER PULL MOWER CLOSE TO YOUR FEET. LOOK DOWN AND BEHIND BEFORE AND WHILE MOVING BACKWARDS.</li> </ul>		
<p>READ OPERATOR'S MANUAL. KEEP SAFETY DEVICES (BLADE CONTROL, TRAILING SHIELD, DISCHARGE COVER, ETC.) IN PLACE AND WORKING. IF DAMAGED, REPLACE IMMEDIATELY.</p>				
<p><b>⚠ WARNING</b></p> <p>WHEN REPAIRING THIS UNIT USE ONLY IDENTICAL REPLACEMENT PARTS. REFER TO REPAIR PARTS SECTION OF YOUR OWNERS MANUAL OR CONTACT YOUR AUTHORIZED SERVICE CENTER.</p>		<p>E251550</p> 	<p>PLACE MODEL PLATE HERE</p>	<p>FOR USE ONLY WITH 725-04387 CHARGER</p>



# MONTAJE

**IMPORTANTE:** Asegúrese de cargar la batería durante no menos de 14 horas antes de hacer funcionar la cortadora. Consulte la sección Funcionamiento.

**NOTA:** Permanezca detrás de la cortadora como si fuese a ponerla en funcionamiento. Su mano derecha corresponde al lado derecho de la cortadora, su mano izquierda corresponde al lado izquierdo de la cortadora.

## PIEZAS SUeltas DENTRO DE LA CAJA

Los siguientes elementos se empaquetan sueltos en la caja:  
Manual del operador, Colector de recortes de césped

## RETIRO DE LA UNIDAD DE LA CAJA

1. Corte las esquinas de la caja de cartón y extienda los lados en el piso. Quite todos los separadores de empaque.
2. Saque la cortadora de césped y el colector de recortes de la caja.
3. Asegúrese de vaciar completamente la caja antes de tirarla.

## MONTAJE DE LA MANIJA

1. Retire el material de empaque que pudiera estar entre las manijas superior e inferior.
2. Afloje cada perilla de mano que se encuentra en el interior de la manija superior.
3. Levante con cuidado y gire la manija superior a la posición de funcionamiento como se muestra en la Figura 1.
4. Retire las perillas en estrella de los soportes de montaje de la manija y sujete la manija inferior a los soportes de la manija colocando el orificio inferior de la manija inferior en los pasadores de los soportes.
5. Asegure la manija superior y la manija inferior apretando las perillas de mano. Es necesario asentar correctamente cada perno del carro en el orificio cuadrado del conector de plástico.
6. Apriete las perillas en estrella ajustando la manija inferior a los soportes de la manija. Vea la Figura 2. Compruebe que la manija inferior esté firmemente asentada en los soportes de montaje de la manija.

## CONEXIÓN DE LA COLECTORA DE CÉSPED

1. Levante la puerta de descarga trasera.
2. Quite la tolva de abono. Vea la Figura 3.

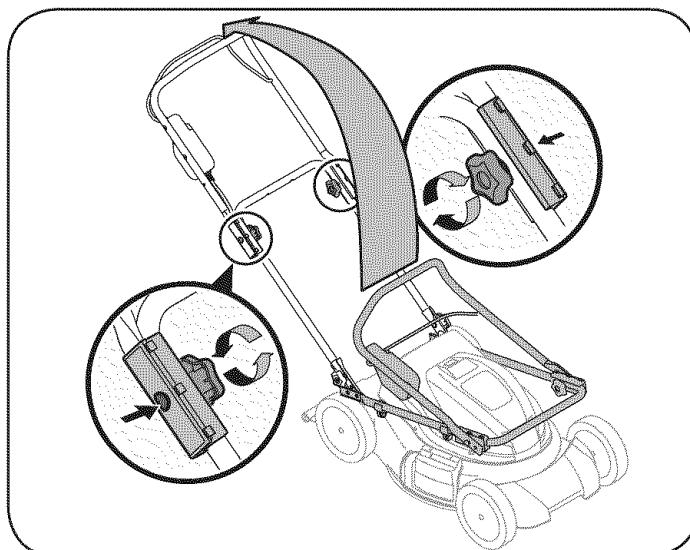


Figura 1

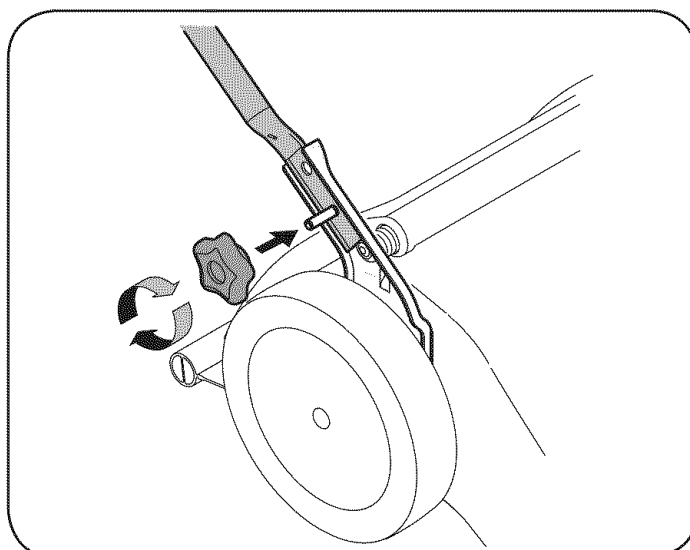


Figura 2

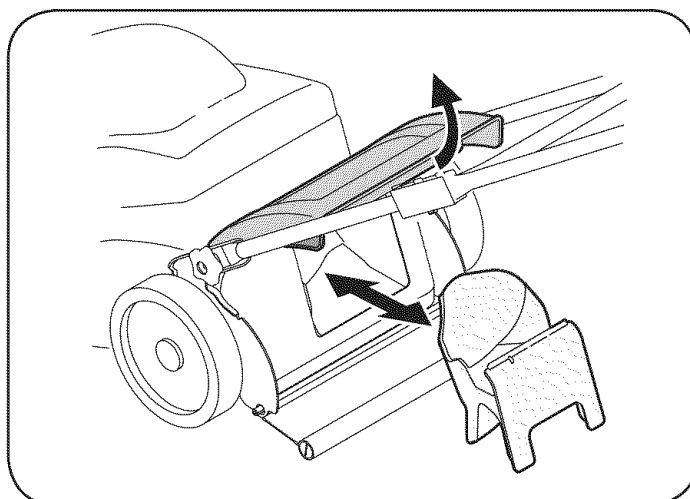


Figura 3

## MONTAJE

3. Coloque el colector de césped en la varilla de pivote. Suelte la puerta de descarga de modo que descance sobre el colector de césped. Vea la Figura 4.

Para sacar el colector de césped, levante la puerta trasera de descarga de la cortadora de césped. Levante el colector de césped y sáquelo de la varilla de pivote. Libere la puerta de descarga trasera.

### CONVERSIÓN A DESCARGA LATERAL

Si hace la conversión a descarga lateral, asegúrese de que el colector de césped esté fuera de la unidad. Vuelva a colocar la tolva de abono posterior y cierre la puerta de descarga trasera. Para descargar los recortes por el costado:

1. Levante la clavija de conexión para abono del lado derecho de la cortadora.
2. Deslice los dos ganchos del canal de descarga lateral debajo del pasador en el montaje de la clavija para abono y baje la clavija para abono lateral. Vea la Figura 5.

**NOTA:** No extraiga la clavija para abono lateral en cualquier momento, aún si no está abonando.

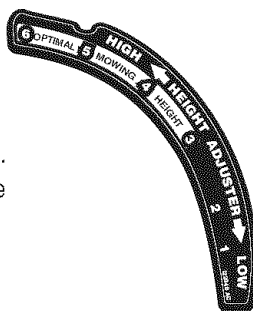
### ⚠ ADVERTENCIA

Nunca opere la cortadora a menos que los ganchos del colector de césped estén firmemente asentados en la varilla de pivote y la puerta de descarga trasera descansa firmemente contra la parte superior del colector de césped.

### AJUSTE DE LA ALTURA DE CORTE

La palanca de ajuste de altura de corte se ubica por encima de la rueda izquierda trasera. Vea la Figura 6.

1. Tire de la palanca hacia afuera de la cortadora.
2. Mueva la palanca hacia adelante o hacia atrás a la altura de corte deseada.
3. Suelte la palanca hacia la plataforma de la cortadora.



### ⚠ ADVERTENCIA

Bajo ninguna circunstancia realice ningún tipo de ajuste a la unidad sin antes detener el motor y sacar la llave.

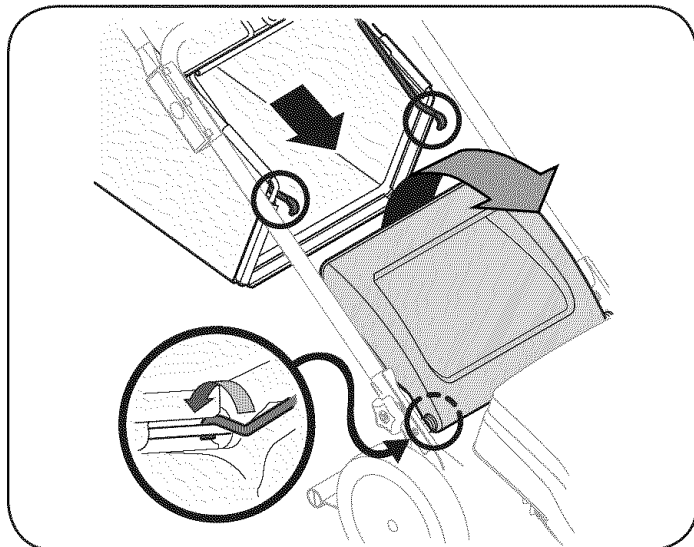


Figura 4

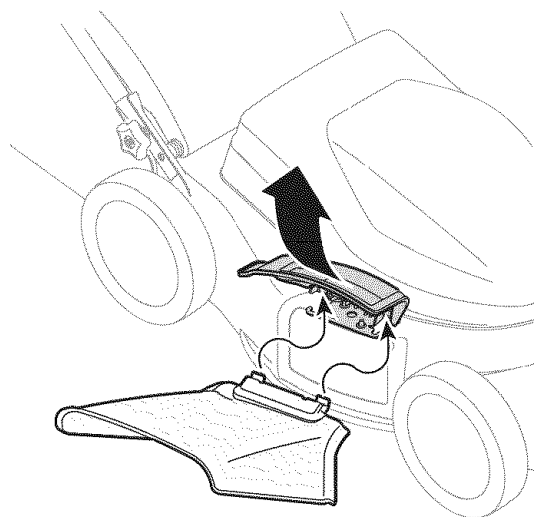


Figura 5

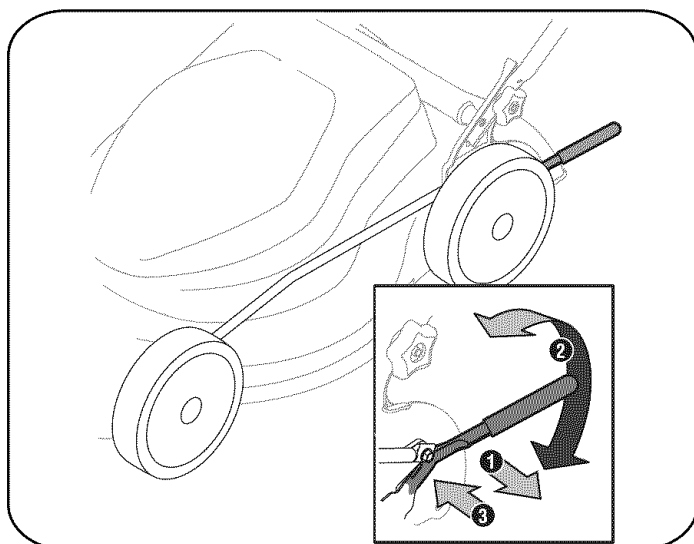


Figura 6

# CONOZCA SU CORTADORA DE CÉSPED

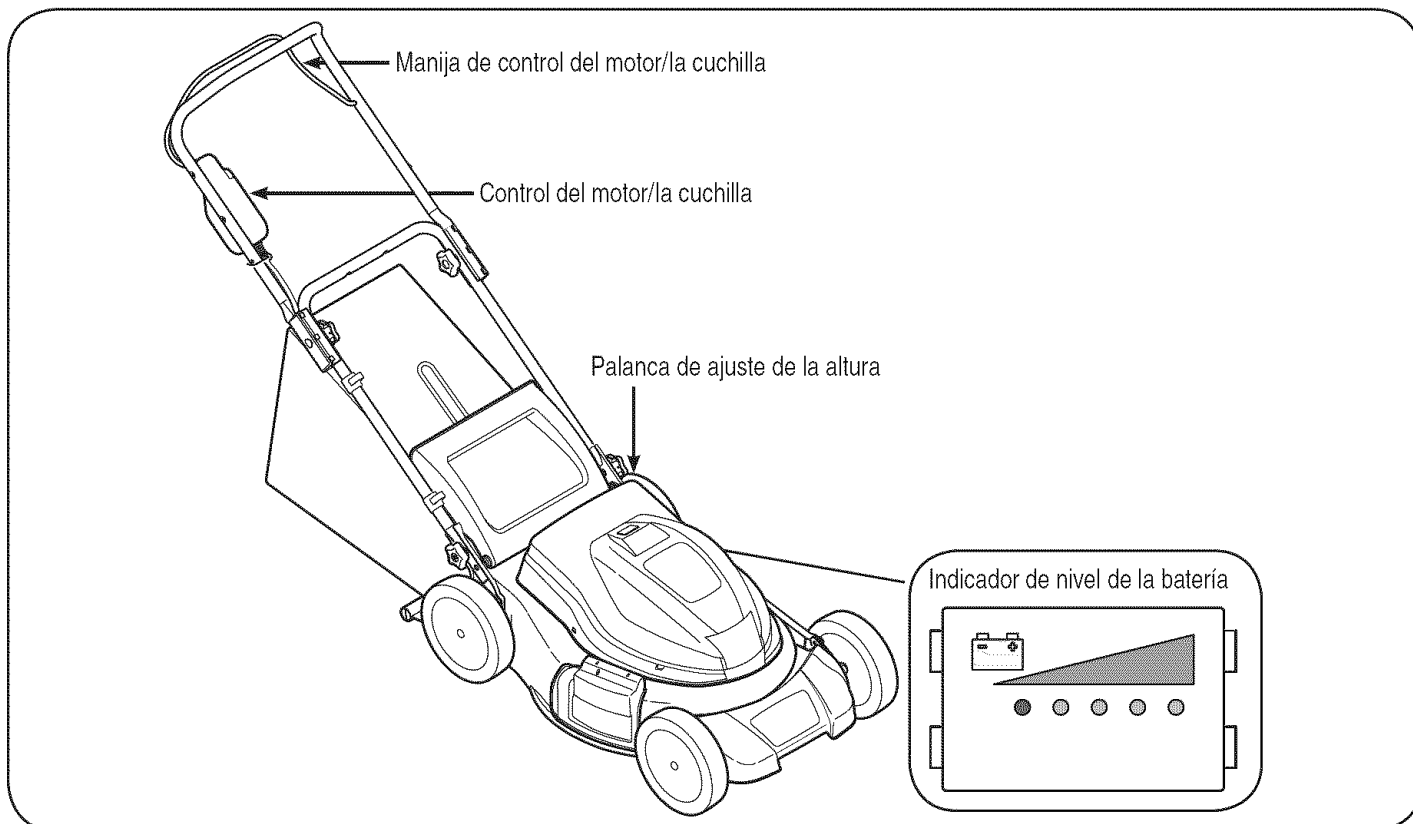


Figura 6

## MANIJA DE CONTROL DEL MOTOR/LA CUCHILLA

### ⚠ ADVERTENCIA

La manija de control del motor/la cuchilla es un dispositivo de seguridad. Nunca intente anular su funcionamiento.

La manija de control del motor/la cuchilla está ubicada en la manija superior de la cortadora de césped. Vea la Figura 6. La manija de control del motor/la cuchilla engancha y desengancha el motor y la cuchilla. El control del motor/la cuchilla consta de tres partes: botón arrancador, manija de control del motor/la cuchilla y llave.

Suelte la manija de control del motor/la cuchilla para detener el motor y la cuchilla. Saque la llave para evitar el arranque accidental cuando el equipo no está vigilado.

## PALANCA DE AJUSTE DE LA ALTURA

### ⚠ ADVERTENCIA

La cuchilla girará siempre que el motor esté en marcha.

La palanca de ajuste de altura de corte se ubica por encima de la rueda izquierda trasera. Para ajustar la altura de corte, consulte la sección Montaje.

## INDICADOR DE NIVEL DE LA BATERÍA

El indicador de nivel de la batería se encuentra en la tapa del motor. El indicador muestra el estado de la batería y está encendido mientras el motor está encendido. Cuando el indicador está iluminado totalmente hacia la derecha indica que la batería está totalmente cargada, a medida que el indicador se va iluminando más hacia la izquierda significa que la batería se está descargando. Vea el recuadro de la Figura 6.

**IMPORTANTE:** Cuando se ilumina la luz roja de la izquierda, se debe recargar la batería antes de poder volver a usarla. Continuar la operación antes de cargar puede acortar la vida útil de las baterías.

## BOTÓN DE REPOSICIÓN DEL DISYUNTOR

La cortadora tiene un botón de reposición del disyuntor ubicado en el control del motor/la cuchilla. Consulte la Figura 7. El botón de reposición del disyuntor puede saltar cuando se exige demasiado al motor. Remítase a la sección Mantenimiento para reponer este botón.

## LLAVE

La llave debe estar presente e insertada antes de poder arrancar el motor. Vea la Figura 7.

NO GIRE LA LLAVE.

## CARGA DE LA BATERÍA

**Cargue la cortadora de césped durante 14 horas antes del uso inicial.** Cargue la cortadora en el interior en un área seca y protegida. NO la cargue en medio de la lluvia o en ubicaciones húmedas

**IMPORTANTE:** Use solamente el cargador de batería que viene con esta cortadora (Pieza N° 725-04387).

Primero enchufe el cargador en la cortadora, luego en cualquier tomacorriente eléctrico estándar de 110/120 voltios. Vea en el recuadro de la Figura 7 la ubicación del cargador de batería en la cortadora.

**NOTA:** Si hace falta un cable de extensión, utilice uno con alambre calibre 16 AWG por lo menos. Conecte la extensión al cargador antes de enchufarla en el tomacorriente eléctrico.

# OPERACIÓN

## ⚠ ADVERTENCIA

La batería contiene fluido corrosivo y material tóxico; TENGA MUCHO CUIDADO. Mantenga alejado de los niños. No perforo, desensamble, mutile o prenda fuego. Durante la carga o descarga se podrían emitir gases explosivos. Utilícela en un área bien ventilada, lejos de fuentes de combustión.

**IMPORTANTE:** Siempre recargue la cortadora totalmente. El cargador es un cargador de dos etapas. La primera etapa, compensadora, envía tensión más alta a las baterías. Esto sirve para acelerar el tiempo de carga y nivelar la carga en todas las baterías. La segunda etapa, lenta, envía una tensión más baja. Esto evita el daño por sobrecarga a las baterías y también “corona” la carga de las baterías. Según la condición de la batería la etapa compensadora se completa aproximadamente en 8 horas. Al completarse la etapa compensadora el LED verde del cargador dejará de parpadear. Allí comienza la etapa lenta. Durante la etapa lenta el LED verde se mantendrá constantemente encendido. La etapa lenta “corona” las baterías en aproximadamente 4 a 6 horas, también según la condición de la batería. No obstante, siempre se recomienda cargar durante las 14 horas completas.

**NOTA:** Se recomienda cargar la cortadora de césped una vez cada dos meses mientras está almacenada.

**IMPORTANTE:** Siempre desconecte primero el cargador (o el cable de extensión, si se usa) del tomacorriente eléctrico, luego desconecte el cargador de la cortadora.

## ENCENDIDO DE LA CORTADORA Y LA CUCHILLA

1. Inserte la llave. Consulte la Figura 8.
2. Oprima el botón arrancador del control del motor/la cuchilla.
3. Tire de la manija de control del motor/la cuchilla contra la manija superior.
4. Suelte el botón arrancador cuando el motor se encienda.

## APAGADO DEL MOTOR Y LA CUCHILLA

1. Suelte la manija de control del motor/la cuchilla para detener el motor y la cuchilla.

## ⚠ ADVERTENCIA

La cuchilla continua girando por unos cuantos segundos después que el motor se ha apagado. Si el motor no se detiene cuando se suelta la manija de control del motor/la cuchilla, póngase en contacto con el centro de servicio Sears más cercano.

2. Saque la llave para evitar el arranque accidental cuando el equipo no está vigilado.
3. Cargue la cortadora de césped.

## USO DE LA CORTADORA DE CÉSPED

### ⚠ ADVERTENCIA

Al hacer funcionar la cortadora de césped puede ser que arroja objetos extraños a los ojos, lo cual puede dañarlos gravemente. Utilice siempre gafas de seguridad durante el funcionamiento de la cortadora o mientras hace ajustes o la repara.

- Asegúrese que el césped está libre de piedras, palos, cables u otros objetos que pudiesen dañar la cortadora o el motor. Dichos objetos pueden ser accidentalmente arrojados en cualquier

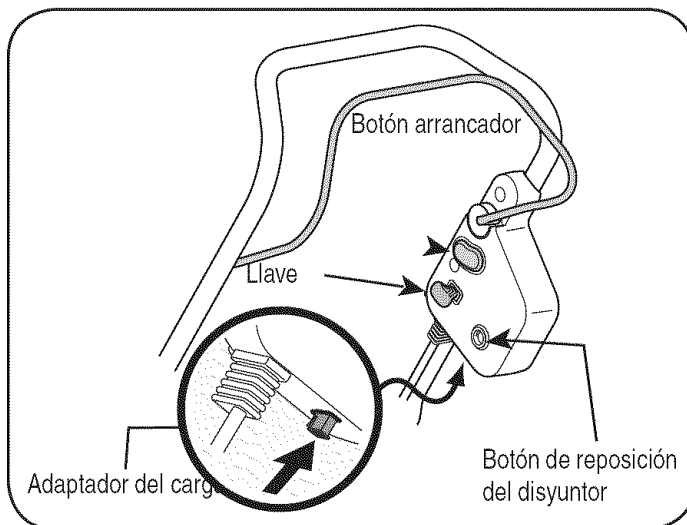


Figura 7

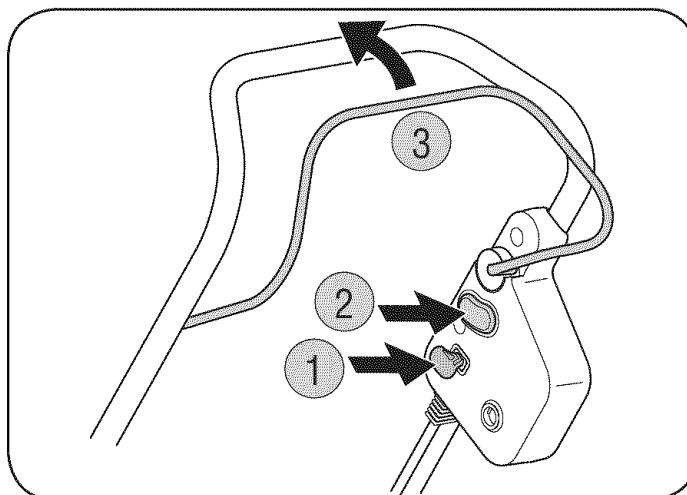


Figura 8

## ⚠ ADVERTENCIA

Si golpea un objeto extraño, detenga el motor y saque la llave. Inspeccione la cortadora minuciosamente para ver que no tenga daños y repare el daño antes de volver a arrancarla y hacerla funcionar. El exceso de vibración de la cortadora durante el funcionamiento es indicación de daño. Se debe inspeccionar y reparar la unidad lo antes posible.

dirección por la cortadora y provocar lesiones personales graves al operador y a otras personas.

- Cuando se usa la descarga lateral, el patrón de corte más eficaz es el que permite descargar los recortes en un área del césped aún no cortada.
- NO utilice la cortadora en la lluvia.
- Si desea un césped sano, corte siempre un tercio o menos de la longitud total del mismo.
- Para óptimos resultados, no corte césped húmedo porque tiende a pegarse a la parte baja de la cortadora, impidiendo preparar el abono y descargar los recortes de césped correctamente. El césped nuevo o grueso puede requerir un corte más estrecho.

# SERVICIO Y MANTENIMIENTO

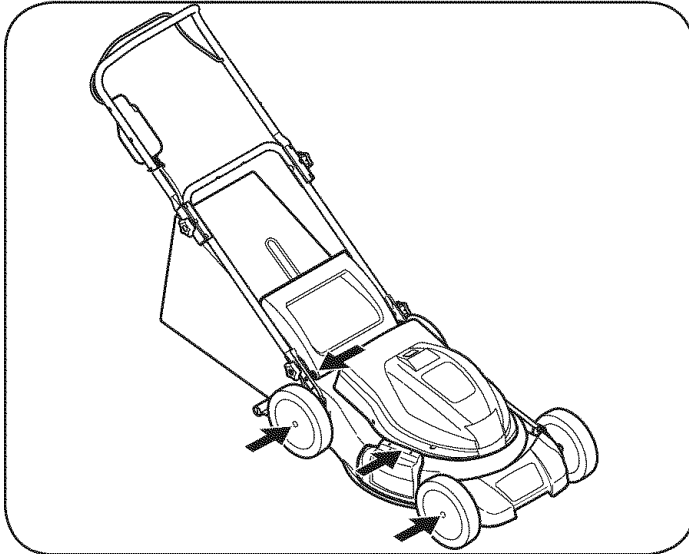


Figura 9

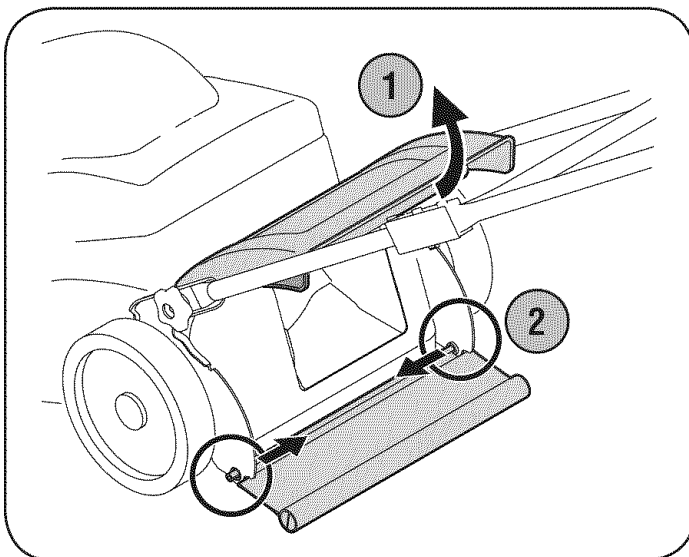


Figura 10

## RECOMENDACIONES GENERALES

- Respete siempre las reglas de seguridad cuando realice cualquier tipo de mantenimiento.
- La garantía de esta podadora no cubre elementos que han estado sujetos al mal uso o la negligencia del operador. Para recibir el reembolso total de la garantía, el operador deberá mantener la podadora como se indica en este manual.
- Todos los ajustes deben ser verificados por lo menos una vez por temporada.
- Revise periódicamente todos los sujetadores y compruebe que estén bien ajustados.

## LUBRICACIÓN

### ⚠ ADVERTENCIA

Apague el motor y retire la llave siempre antes de limpiar, lubricar o realizar cualquier reparación o tarea de mantenimiento en la cortadora de césped. Utilice siempre anteojos de seguridad durante el funcionamiento o mientras ajusta o repara este equipo.

- Lubrique las ruedas por lo menos una vez por temporada con aceite ligero o aceite para motor. Si las ruedas se quitan por cualquier razón, debe lubricar la superficie del brazo giratorio y la superficie interna de la rueda con aceite ligero. Vea la Figura 9.
- Lubrique el resorte de torsión y el punto de pivote de la puerta trasera de descarga y clavija de abono lateral periódicamente con aceite ligero para evitar que se oxide. Vea la Figura 9.

## CUIDADO DE LA CUBIERTA

Debe limpiar la parte inferior de la plataforma de la cortadora después de cada uso ya que se acumulan recortes de pasto, hojas, suciedad y otros desechos. Esta acumulación de recortes de pasto, etc. no es aconsejable porque produce óxido y corrosión.

1. Quite el pasto y hojas acumulados alrededor de la tapa del motor (no use agua). Ocasionalmente limpie la cortadora con un paño seco.

### ⚠ ADVERTENCIA

Para reducir el riesgo de sufrir descargas eléctricas, no exponga la cortadora de césped al agua.

2. Si se han acumulado desechos en la parte inferior de la unidad, incline la cortadora y limpie raspando con una herramienta adecuada (asegúrese de haber sacado la llave).

## REEMPLAZO DEL ESCUDO POSTERIOR

### ⚠ ADVERTENCIA

Nunca opere la cortadora si el escudo posterior no está colocado y funcionando. Nunca opere la cortadora si los dispositivos de seguridad están dañados. De lo contrario, pueden producirse lesiones personales.

El escudo posterior está sujeto a desgaste y daños lo que podría dejar expuestas las partes móviles o permitir que arroje objetos. Para proteger su seguridad, verifique frecuentemente el escudo posterior reemplazándolo inmediatamente con las piezas del fabricante original del equipo identificadas en este manual.

1. Para retirar el escudo posterior, levante la puerta trasera y doble (come) el escudo hacia adentro a cada lado para soltar las lengüetas de los orificios del bastidor de la cortadora. Vea la Figura 10.
2. Reemplace con un escudo nuevo doblando el escudo para permitir que las lengüetas calcen en los orificios del bastidor de la cortadora.

# SERVICIO Y MANTENIMIENTO

## CUIDADO DE LA CUCHILLA

### ⚠ ADVERTENCIA

Cuando saque la cuchilla de corte para afilarla o reemplazarla, protéjase las manos usando un par de guantes gruesos o un trapo grueso para sostener la cuchilla. Asegúrese de apagar el motor y retirar la llave.

Inspeccione periódicamente el adaptador de la cuchilla en busca de rajaduras, especialmente cuando golpee un objeto extraño. Reemplace según necesidad. Siga los pasos que aparecen debajo para realizar el mantenimiento de la cuchilla.

### Extracción de cuchillas

1. Detenga el motor y retire la llave. Coloque la cortadora de césped sobre un lado.
2. Coloque un taco de madera 2x4 de aproximadamente 8,5 pulgadas de largo entre el alojamiento de la plataforma y la cuchilla de corte, para que actúe como estabilizador. Vea la Figura 11.
3. Afloje y saque el perno de la cuchilla, la placa de seguridad y la cuchilla. Vea la Figura 11.

### Afilado de cuchillas

**IMPORTANTE:** Si existe una separación en el metal, reemplace las cuchillas por otras nuevas.

1. Para afilar las cuchillas de corte correctamente, extraiga cantidades iguales de metal de ambos extremos de las cuchillas a lo largo de los bordes cortantes, paralelo al borde de caída, a un ángulo de 25° a 30°. Vea la Figura 12.
  - a. Es importante que cada borde de corte de la cuchilla sea pulido por igual para mantener el equilibrio adecuado de la cuchilla. Una cuchilla desequilibrada causará demasiada vibración, y puede ocasionar daños a la cortadora que resulten en lesiones personales. Se puede probar la cuchilla balanceándola sobre un destornillador de eje circular. Afile el metal del lado pesado hasta que quede bien equilibrada.

### ⚠ ADVERTENCIA

Si la cuchilla está desequilibrada causará demasiada vibración al rotar a altas velocidades. Puede dañar la cortadora de césped y se puede romper, causando lesiones personales.

### Instalación de cuchillas

1. Coloque la cuchilla de corte, la placa de seguridad y el perno de la cuchilla sobre el eje del motor y atornille el perno con la mano.

**NOTA:** Asegúrese de volver a colocar las partes en el mismo orden en que las retiró. Al instalar la cuchilla de corte, asegúrese de instalarla con los extremos curvos hacia la plataforma de la cortadora y no hacia el suelo.

2. Aplique torsión al perno de la cuchilla usando una llave de par para asegurar que el perno está correctamente apretado. El torque recomendado para el perno de la cuchilla es 170-220 pulg/lb.

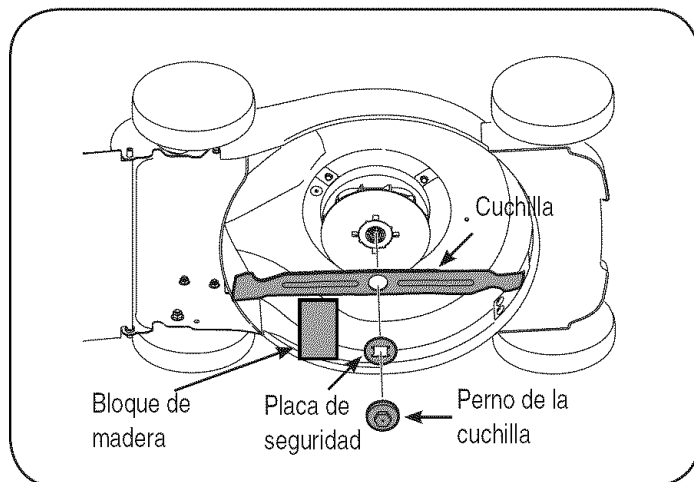


Figura 11

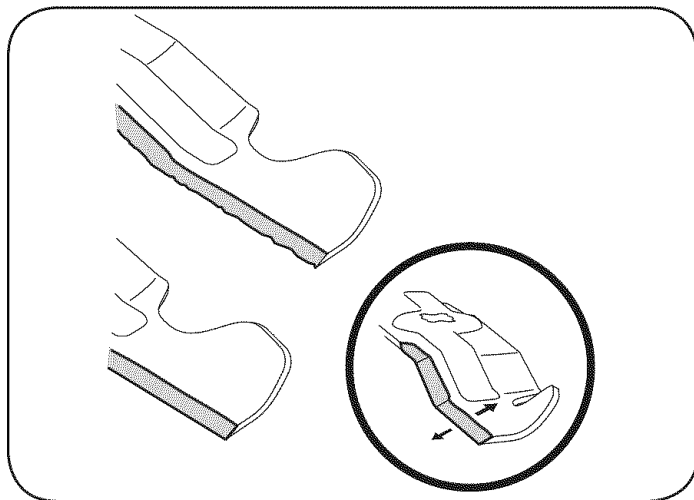


Figura 12

Para asegurar la operación segura de la podadora revise periódicamente el perno de la cuchilla para determinar si está bien ajustado.

### ⚠ ADVERTENCIA

Las piezas metálicas de la cuchilla no sólo se utilizan para fijar el conjunto de la cuchilla, sino que también como dispositivo aislante de seguridad y nunca deben modificarse de ninguna manera. Si es necesario reemplazarlas, use piezas originales como se muestra en la lista de piezas.

## SERVICIO Y MANTENIMIENTO

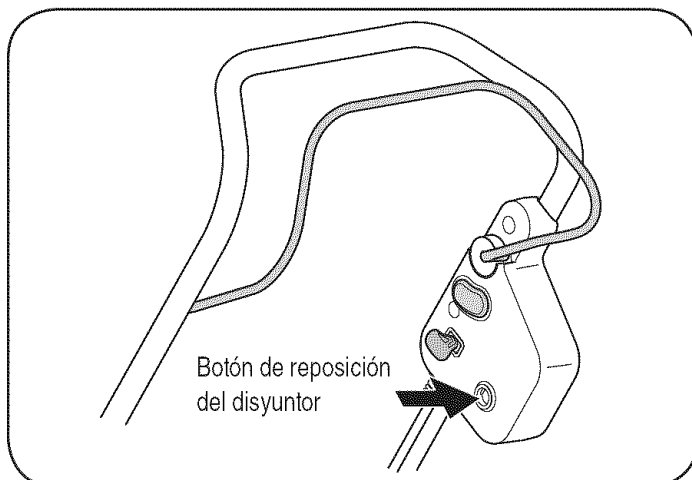


Figura 13

### REPOSICIÓN DEL BOTÓN DE REPOSICIÓN DEL DISYUNTOR

Esta cortadora de césped está equipada con un botón de reposición del disyuntor para evitar que el motor se dañe debido a recalentamiento.

Si el botón de reposición del disyuntor salta:

1. Suelte la manija de control del motor/la cuchilla y NO vuelva a arrancar la cortadora durante al menos un minuto, dando tiempo al motor para que se enfríe.
2. Empuje el botón de reposición del disyuntor hacia adentro para reponer. Vea la Figura 13.

Si el botón de reposición del disyuntor salta poco después de reponerlo:

1. Suelte la manija de control del motor/la cuchilla y NO vuelva a arrancar la cortadora durante al menos 15 minutos, dando más tiempo al motor para que se enfríe.
2. Empuje el botón de reposición del disyuntor hacia adentro para reponer.
3. Vuelva a arrancar la unidad.

**NOTA:** Si el botón de reposición del disyuntor salta repetidamente durante la operación o no se mantiene mientras se lo intenta reponer, póngase en contacto con el centro de servicio Sears más cercano para acordar una reparación.

### CUIDADO DE LA BATERÍA

**IMPORTANTE:** Reemplace únicamente con una batería idéntica a la que viene con esta cortadora de césped (Pieza N° 725-04381). La batería debe ser reemplazada sólo por el centro de servicio Sears.

### ⚠ ADVERTENCIA

Debido al riesgo de choque eléctrico, NO intente quitar la cubierta del motor/la batería. Adentro no hay piezas recambiables por el usuario. Si hace falta reparar, póngase en contacto con el centro de servicio Sears más cercano.

## PROGRAMA DE MANTENIMIENTO

### ⚠ ADVERTENCIA

Apague el motor y retire la llave siempre antes de limpiar, lubricar o realizar cualquier reparación o tarea de mantenimiento en la cortadora de césped. Utilice siempre anteojos de seguridad durante el funcionamiento o mientras ajusta o repara este equipo.

Siga el cronograma de mantenimiento que se presenta a continuación. Esta tabla sólo describe pautas de servicio. Utilice la columna Registro de Servicio para hacer el seguimiento de las tareas de mantenimiento completadas. **Para ubicar el centro de servicio Sears más cercano o para programar un servicio, simplemente comuníquese con Sears al teléfono 1-800-4-MY-HOME®**

Intervalo	Artículo	Servicio	Registro de servicio
Cada uso	<ol style="list-style-type: none"> <li>1. Cuchillas de la cortadora</li> <li>2. Piezas sueltas o faltantes</li> <li>3. Controles</li> <li>4. Motor</li> </ol> <ol style="list-style-type: none"> <li>5. Plataforma</li> </ol>	<ol style="list-style-type: none"> <li>1. Afíle según corresponda</li> <li>2. Ajuste o reemplace</li> <li>3. Verifique que funcione correctamente</li> <li>4. Quite el pasto y hojas acumulados alrededor de la tapa del motor (no use agua).</li> <li>5. Limpie la parte inferior de la plataforma con una herramienta adecuada (no use agua).</li> </ol>	
Anualmente o cada 25 horas	<ol style="list-style-type: none"> <li>1. Ruedas</li> <li>2. Puerta trasera de descarga y clavija de abono lateral</li> <li>3. Cuchillas de la cortadora</li> </ol>	<ol style="list-style-type: none"> <li>1. Lubrique con aceite ligero</li> <li>2. Lubrique el resorte de torsión y punto de pivote con aceite ligero.</li> <li>3. Afíle y balancee</li> </ol>	
Antes de almacenar	<ol style="list-style-type: none"> <li>1. Batería</li> </ol>	<ol style="list-style-type: none"> <li>1. Cargue totalmente</li> </ol>	
Durante el almacenamiento	<ol style="list-style-type: none"> <li>1. Batería</li> </ol>	<ol style="list-style-type: none"> <li>1. Cargue cada dos meses</li> </ol>	



# ALMACENAMIENTO FUERA DE TEMPORADA

## PREPARACIÓN DE LA CORTADORA DE CÉSPED

Se deben seguir estos pasos para preparar la cortadora para almacenarla:

- Lubrique la cortadora según se describe en las instrucciones de lubricación.
- Quite el pasto y hojas acumulados alrededor de la tapa del motor (no use agua). Limpie la cortadora de césped con un paño seco.
- Si se han acumulado desechos en la parte inferior de la unidad, incline la cortadora y limpie raspando con una herramienta adecuada (asegúrese de haber sacado la llave).

- Almacene la cortadora totalmente cargada.

**IMPORTANTE:** Se recomienda enfáticamente cargar la cortadora de césped una vez cada dos meses mientras está almacenada.

- Almacene la unidad en una zona limpia y seca. No la almacene cerca de productos corrosivos como por ejemplo fertilizantes.
- Limpie el cable para sacarle manchas o sustancias extrañas como por ejemplo aceite.
- Cubra la cuchilla de la cortadora con grasa para chasis para impedir que se oxide.

# SOLUCIÓN DE PROBLEMAS

## ⚠️ ADVERTENCIA

Siempre apague el motor y saque la llave antes de limpiar, lubricar o realizar cualquier reparación o tarea de mantenimiento en la cortadora de césped. Utilice siempre anteojos de seguridad durante la operación o mientras realiza ajustes o reparaciones.

## ⚠️ ADVERTENCIA

El fusible de reemplazo debe ser un componente homologado o certificado por UL, con tensión nominal de 40 amp, 58 voltios. Si salta un fusible de la cortadora, para repararlo comuníquese con el distribuidor de servicio autorizado más cercano. No utilice ningún otro tipo ni tamaño de fusible.

Problema	Causa	Solución
El motor no arranca	<ol style="list-style-type: none"> <li>1. La llave no está en el interruptor</li> <li>2. Control del motor/la cuchilla desenganchado.</li> <li>3. Batería descargada.</li> <li>4. Plataforma de la cortadora tapada con pasto y residuos.</li> </ol>	<ol style="list-style-type: none"> <li>1. Inserte la llave de encendido.</li> <li>2. Oprima el botón arrancador y enganche el control del motor/la cuchilla.</li> <li>3. Cargue la batería.</li> <li>4. Destape la plataforma de la cortadora. Cerciórese de que la cuchilla se puede mover.</li> </ol>
La cortadora se detiene cuando está cortando	<ol style="list-style-type: none"> <li>1. Batería descargada.</li> <li>2. Corta demasiado pasto.</li> <li>3. Plataforma tapada.</li> <li>4. El botón de reposición del disyuntor está desconectado.</li> </ol>	<ol style="list-style-type: none"> <li>1. Cargue la batería.</li> <li>2. Eleve la altura de corte.</li> <li>3. Destape la plataforma de la cortadora. Eleve la altura de corte, o corte una franja más angosta.</li> <li>4. Reposicione el botón de reposición del disyuntor siguiendo las instrucciones que aparecen en la sección Servicio y mantenimiento de este manual.</li> </ol>
Demasiada vibración	<ol style="list-style-type: none"> <li>1. Cuchilla de corte floja.</li> <li>2. Cuchilla de corte desequilibrada.</li> <li>3. Cuchilla de corte doblada.</li> <li>4. Eje del motor doblado.</li> </ol>	<ol style="list-style-type: none"> <li>1. Ajuste el perno de la cuchilla.</li> <li>2. Equilibre la cuchilla siguiendo las instrucciones que aparecen en la sección Servicio y mantenimiento de este manual.</li> <li>3. Reemplace la cuchilla.</li> <li>4. Comuníquese con el centro de servicio Sears más cercano.</li> </ol>
La cortadora de césped no procesa el recorte de césped como abono	<ol style="list-style-type: none"> <li>1. Plataforma de la cortadora tapada.</li> <li>2. Césped húmedo.</li> <li>3. Césped demasiado alto.</li> <li>4. Cuchilla desafilada.</li> </ol>	<ol style="list-style-type: none"> <li>1. Destape la plataforma de la cortadora. Cerciórese de que la cuchilla se puede mover.</li> <li>2. No corte el césped cuando esté mojado, espere hasta que sea más tarde para hacerlo.</li> <li>3. Corte una vez a una altura de corte elevada y luego vuelva a cortar el césped a la altura deseada, o corte una franja más angosta (1/2 ancho).</li> <li>4. Afile o cambie la cuchilla.</li> </ol>
Corte desigual	<ol style="list-style-type: none"> <li>1. Cuchilla desafilada.</li> </ol>	<ol style="list-style-type: none"> <li>1. Afile o cambie la cuchilla.</li> </ol>

## ¿NECESITA MÁS AYUDA?

Encontrará la respuesta y más en [managemy.com](http://managemy.com) - ¡sin cargo!

- En línea podrá encontrar este manual y los manuales de todos los otros productos que posea.
- Sus preguntas serán respondidas por nuestro equipo de especialistas.
- Obtenga un plan de mantenimiento personalizado para su hogar.
- Encuentre información y herramientas que lo ayudarán con los proyectos de su hogar.

**manage my home**

brought to you by Sears

## ACUERDO DE PROTECCIÓN PARA REPARACIONES

Felicitaciones por haber realizado una adquisición inteligente. El producto Craftsman® que ha adquirido está diseñado y fabricado para brindar muchos años de funcionamiento confiable. Pero como todos los productos a veces puede requerir de reparaciones. Es en ese momento cuando el disponer de un Acuerdo de protección para reparaciones le puede ahorrar dinero y problemas.

A continuación se detallan los puntos incluidos en el Acuerdo:

- **Servicio experto** prestado por nuestros 10,000 especialistas en reparaciones profesionales
- **Servicio ilimitado sin cargo** para las piezas y la mano de obra en todas las reparaciones cubiertas
- **Reemplazo del producto** si no es posible reparar el producto cubierto
- **Descuento de 10%** del precio normal del servicio y de las piezas relacionadas con el mismo que no estén cubiertas por el acuerdo; además, 10% del precio normal de la verificación de mantenimiento preventivo
- **Ayuda rápida por teléfono** - lo llamamos Resolución Rápida – el apoyo telefónico de un Chamusca al representante. Piense en nosotros como el manual “de un dueño hablador.”

Una vez adquirido el Acuerdo, puede programar el servicio con tan sólo realizar una llamada telefónica. Puede llamar en cualquier momento del día o de la noche o programar un servicio en línea. Sears dispone de más de 10.000 especialistas en reparaciones profesionales que tienen acceso a más de 4.5 millones de piezas y accesorios de buena calidad. Este es el tipo de profesionalismo en el que puede confiar para que le ayude a prolongar la vida útil del producto recientemente adquirido en los años por venir. ¡Adquiera hoy su acuerdo de protección para reparaciones!

**Se aplican determinadas limitaciones y exclusiones. Para obtener información adicional y precios llame al 1-800-827-6655.**

### **Servicio de instalación de Sears**

Si desea solicitar la instalación profesional de Sears de aparatos domésticos, dispositivos para abrir portones, calentadores de agua y otros artículos domésticos importantes, en los Estados Unidos llame al 1-800-4-MY-HOME®.

# Get it fixed, at your home or ours

## Your Home

For expert troubleshooting and home solutions advice:

**manage my home**

[www.managemyhome.com](http://www.managemyhome.com)

For repair – **in your home** – of **all** major brand appliances, lawn and garden equipment, or heating and cooling systems, **no matter who made it, no matter who sold it!**

For the replacement parts, accessories and owner's manuals that you need to do-it-yourself.

For Sears professional installation of home appliances and items like garage door openers and water heaters.

**1-800-4-MY-HOME<sup>®</sup>** (1-800-469-4663)

Call anytime, day or night (U.S.A. and Canada)

[www.sears.com](http://www.sears.com)      [www.sears.ca](http://www.sears.ca)

## Our Home

For repair of carry-in items like vacuums, lawn equipment, and electronics, call anytime for the location of your nearest

**Sears Parts & Repair Service Center**

**1-800-488-1222** (U.S.A.)      **1-800-469-4663** (Canada)

[www.sears.com](http://www.sears.com)      [www.sears.ca](http://www.sears.ca)

To purchase a protection agreement on a product serviced by Sears:

**1-800-827-6655** (U.S.A.)      **1-800-361-6665** (Canada)

Para pedir servicio de reparación a domicilio, y para ordenar piezas:

**1-888-SU-HOGAR<sup>®</sup>**

(1-888-784-6427)

Au Canada pour service en français:

**1-800-LE-FOYER<sup>MC</sup>**

(1-800-533-6937)

[www.sears.ca](http://www.sears.ca)

**Sears**