

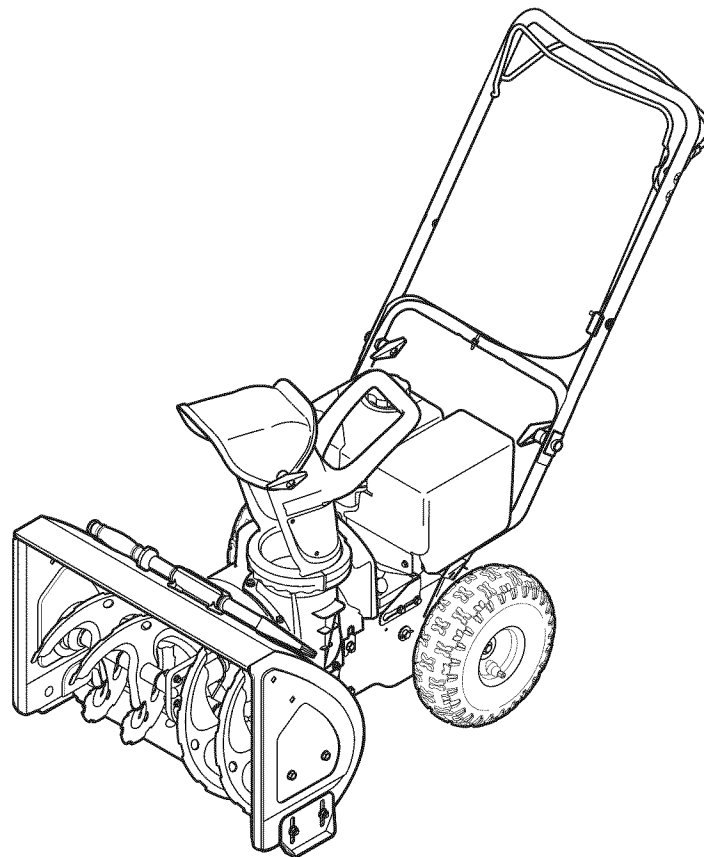
Operator's Manual



Electric Start

22-INCH SNOW THROWER

Model No. 247.881700



CAUTION: Before using this product, read this manual and follow all safety rules and operating instructions.

- SAFETY
- ASSEMBLY
- OPERATION
- MAINTENANCE
- PARTS LIST
- ESPAÑOL

Sears Brands Management Corporation, Hoffman Estates, IL 60179, U.S.A.

Visit our website: www.craftsman.com

Form No. 769-08167
(May 21, 2012)

TABLE OF CONTENTS

Warranty Statement	Page 2	Troubleshooting	Page 21
Safe Operation Practices	Page 3	Parts List	Page 22
Assembly	Page 7	Repair Protection Agreement	Page 43
Operation	Page 11	Español	Page 44
Maintenance & Service	Page 15	Contact Numbers	Back Cover
Off-Season Storage	Page 20		

WARRANTY STATEMENT

CRAFTSMAN TWO YEAR FULL WARRANTY

FOR TWO YEARS from the date of purchase, this product is warranted against any defects in material or workmanship. A defective product will receive free repair or replacement if repair is unavailable.

For warranty coverage details to obtain free repair or replacement, visit the web site: www.craftsman.com

This warranty covers ONLY defects in material and workmanship. Warranty coverage does NOT include:

- Expendable items that can wear out from normal use within the warranty period, including but not limited to augers, auger paddles, drift cutters, skid shoes, shave plate, shear pins, spark plug, air cleaner, belts, and oil filter.
- Standard maintenance servicing, oil changes, or tune-ups.
- Tire replacement or repair caused by punctures from outside objects, such as nails, thorns, stumps, or glass.
- Tire or wheel replacement or repair resulting from normal wear, accident, or improper operation or maintenance.
- Repairs necessary because of operator abuse, including but not limited to damage caused by over-speeding the engine, or from impacting objects that bend the frame, auger shaft, etc.
- Repairs necessary because of operator negligence, including but not limited to, electrical and mechanical damage caused by improper storage, failure to use the proper grade and amount of engine oil, or failure to maintain the equipment according to the instructions contained in the operator's manual.
- Engine (fuel system) cleaning or repairs caused by fuel determined to be contaminated or oxidized (stale). In general, fuel should be used within 30 days of its purchase date.
- Normal deterioration and wear of the exterior finishes, or product label replacement.

This warranty is void if this product is ever used while providing commercial services or if rented to another person.

This warranty gives you specific legal rights, and you may also have other rights which vary from state to state.

Sears Brands Management Corporation, Hoffman Estates, IL 60179

PRODUCT SPECIFICATIONS

Engine Oil Type:	5W-30
Engine Oil Capacity:	20 ounces
Fuel Capacity:	2.3 Quarts
Spark Plug:	F6RTC (F6TC)
Spark Plug Gap:	.020" to .030"

MODEL NUMBER

Model Number.....
Serial Number.....
Date of Purchase.....

Record the model number, serial number
and date of purchase above

SAFETY INSTRUCTIONS

WARNING

This symbol points out important safety instructions which, if not followed, could endanger the personal safety and/or property of yourself and others. Read and follow all instructions in this manual before attempting to operate this machine. Failure to comply with these instructions may result in personal injury. When you see this symbol, HEED ITS WARNING!

WARNING

CALIFORNIA PROPOSITION 65

Engine Exhaust, some of its constituents, and certain vehicle components contain or emit chemicals known to State of California to cause cancer and birth defects or other reproductive harm.

DANGER

This machine was built to be operated according to the safe operation practices in this manual. As with any type of power equipment, carelessness or error on the part of the operator can result in serious injury. This machine is capable of amputating fingers, hands, toes and feet and throwing debris. Failure to observe the following safety instructions could result in serious injury or death.

WARNING

Your Responsibility—Restrict the use of this power machine to persons who read, understand and follow the warnings and instructions in this manual and on the machine.

SAVE THESE INSTRUCTIONS!

TRAINING

- Read, understand, and follow all instructions on the machine and in the manual(s) before attempting to assemble and operate. Failure to do so can result in serious injury to the operator and/or bystanders. Keep this manual in a safe place for future and regular reference and for ordering replacement parts.
- Be familiar with all controls and their proper operation. Know how to stop the machine and disengage them quickly.
- Never allow children under 14 years of age to operate this machine. Children 14 and over should read and understand the instructions and safe operation practices in this manual and on the machine and be trained and supervised by an adult.
- Never allow adults to operate this machine without proper instruction.
- Thrown objects can cause serious personal injury. Plan your snow-throwing pattern to avoid discharge of material toward roads, bystanders and the like.
- Keep bystanders, pets and children at least 75 feet from the machine while it is in operation. Stop machine if anyone enters the area.
- Exercise caution to avoid slipping or falling, especially when operating in reverse.

PREPARATION

Thoroughly inspect the area where the equipment is to be used. Remove all doormats, newspapers, sleds, boards, wires and other foreign objects, which could be tripped over or thrown by the auger/impeller.

- Always wear safety glasses or eye shields during operation and while performing an adjustment or repair to protect your eyes. Thrown objects which ricochet can cause serious injury to the eyes.
- Do not operate without wearing adequate winter outer garments. Do not wear jewelry, long scarves or other loose clothing, which could become entangled in moving parts. Wear footwear which will improve footing on slippery surfaces.
- Use a grounded three-wire extension cord and receptacle for all machines with electric start engines.
- Disengage all control levers before starting the engine.
- Adjust collector housing height to clear gravel or crushed rock surfaces.
- Never attempt to make any adjustments while engine is running, except where specifically recommended in the operator's manual.
- Let engine and machine adjust to outdoor temperature before starting to clear snow.

SAFETY INSTRUCTIONS

Safe Handling of Gasoline

To avoid personal injury or property damage use extreme care in handling gasoline. Gasoline is extremely flammable and the vapors are explosive. Serious personal injury can occur when gasoline is spilled on yourself or your clothes which can ignite. Wash your skin and change clothes immediately.

- Use only an approved gasoline container.
- Extinguish all cigarettes, cigars, pipes and other sources of ignition.
- Never fuel machine indoors.
- Never remove gas cap or add fuel while the engine is hot or running.
- Allow engine to cool at least two minutes before refueling.
- Never over fill fuel tank. Fill tank to no more than ½ inch below bottom of filler neck to provide space for fuel expansion.
- Replace gasoline cap and tighten securely.
- If gasoline is spilled, wipe it off the engine and equipment. Move machine to another area. Wait 5 minutes before starting the engine.
- Never store the machine or fuel container inside where there is an open flame, spark or pilot light (e.g. furnace, water heater, space heater, clothes dryer etc.).
- Allow machine to cool at least 5 minutes before storing.
- Never fill containers inside a vehicle or on a truck or trailer bed with a plastic liner. Always place containers on the ground away from your vehicle before filling.
- If possible, remove gas-powered equipment from the truck or trailer and refuel it on the ground. If this is not possible, then refuel such equipment on a trailer with a portable container, rather than from a gasoline dispenser nozzle.
- Keep the nozzle in contact with the rim of the fuel tank or container opening at all times until fueling is complete. Do not use a nozzle lock-open device.

OPERATION

- Do not put hands or feet near rotating parts, in the auger/impeller housing or chute assembly. Contact with the rotating parts can amputate hands and feet.
- The auger/impeller control lever is a safety device. Never bypass its operation. Doing so makes the machine unsafe and may cause personal injury.
- The control levers must operate easily in both directions and automatically return to the disengaged position when released.
- Never operate with a missing or damaged chute assembly. Keep all safety devices in place and working.
- Never run an engine indoors or in a poorly ventilated area. Engine exhaust contains carbon monoxide, an odorless and deadly gas.
- Do not operate machine while under the influence of alcohol or drugs.
- Muffler and engine become hot and can cause a burn. Do not touch. Keep children away.

- Exercise extreme caution when operating on or crossing gravel surfaces. Stay alert for hidden hazards or traffic.
- Exercise caution when changing direction and while operating on slopes. Do not operate on steep slopes.
- Plan your snow-throwing pattern to avoid discharge towards windows, walls, cars etc. Thus, avoiding possible property damage or personal injury caused by a ricochet.
- Never direct discharge at children, bystanders and pets or allow anyone in front of the machine.
- Do not overload machine capacity by attempting to clear snow at too fast of a rate.
- Never operate this machine without good visibility or light. Always be sure of your footing and keep a firm hold on the handles. Walk, never run.
- Disengage power to the auger/impeller when transporting or not in use.
- Never operate machine at high transport speeds on slippery surfaces. Look down and behind and use care when backing up.
- If the machine should start to vibrate abnormally, stop the engine, disconnect the spark plug wire and ground it against the engine. Inspect thoroughly for damage. Repair any damage before starting and operating.
- Disengage all control levers and stop engine before you leave the operating position (behind the handles). Wait until the auger/impeller comes to a complete stop before unclogging the chute assembly, making any adjustments, or inspections.
- Never put your hand in the discharge or collector openings. Do not unclog chute assembly while engine is running. Shut off engine and remain behind handles until all moving parts have stopped before unclogging.
- Use only attachments and accessories approved by the manufacturer (e.g. wheel weights, tire chains, cabs etc.). For information concerning these items, call 1-800-469-4663.
- When starting engine, pull cord slowly until resistance is felt, then pull rapidly. Rapid retraction of starter cord (kickback) will pull hand and arm toward engine faster than you can let go. Broken bones, fractures, bruises or sprains could result.
- If situations occur which are not covered in this manual, use care and good judgment.
- To order parts or schedule service for this product, call 1-800-469-4663.

CLEARING A CLOGGED DISCHARGE CHUTE

Hand contact with the rotating impeller inside the discharge chute is the most common cause of injury associated with snow throwers. Never use your hand to clean out the discharge chute.

To clear the chute:

1. SHUT THE ENGINE OFF!
2. Wait 10 seconds to be sure the impeller blades have stopped rotating.
3. Always use a clean-out tool, not your hands.

SAFETY INSTRUCTIONS

MAINTENANCE & STORAGE

- Never tamper with safety devices. Check their proper operation regularly. Refer to the maintenance and adjustment sections of this manual.
- Before cleaning, repairing, or inspecting machine disengage all control levers and stop the engine. Wait until the auger/impeller come to a complete stop. Disconnect the spark plug wire and ground against the engine to prevent unintended starting.
- Check bolts and screws for proper tightness at frequent intervals to keep the machine in safe working condition. Also, visually inspect machine for any damage.
- Do not change the engine governor setting or over-speed the engine. The governor controls the maximum safe operating speed of the engine.
- Snow thrower shave plates and skid shoes are subject to wear and damage. For your safety protection, frequently check all components and replace with original equipment manufacturer's (OEM) parts only as listed in the Parts pages of this operator's manual. Use of parts which do not meet the original equipment specifications may lead to improper performance and compromise safety!
- Check control levers periodically to verify they engage and disengage properly and adjust, if necessary. Refer to the adjustment section in this operator's manual for instructions.
- Maintain or replace safety and instruction labels, as necessary.
- Observe proper disposal laws and regulations for gas, oil, etc. to protect the environment.
- Prior to storing, run machine a few minutes to clear snow from machine and prevent freeze up of auger/impeller.
- Never store the machine or fuel container inside where there is an open flame, spark or pilot light such as a water heater, furnace, clothes dryer etc.
- Always refer to the operator's manual for proper instructions on off-season storage.
- Check fuel line, tank, cap, and fittings frequently for cracks or leaks. Replace if necessary.
- Do not crank engine with spark plug removed.
- According to the Consumer Products Safety Commission (CPSC) and the U.S. Environmental Protection Agency (EPA), this product has an *Average Useful Life* of seven (7) years, or 60 hours of operation. At the end of the *Average Useful Life* have the machine inspected annually by an authorized service dealer to ensure that all mechanical and safety systems are working properly and not worn excessively. Failure to do so can result in accidents, injuries or death.

DO NOT MODIFY ENGINE

To avoid serious injury or death, do not modify engine in any way. Tampering with the governor setting can lead to a runaway engine and cause it to operate at unsafe speeds. Never tamper with factory setting of engine governor.

NOTICE REGARDING EMISSIONS

Engines which are certified to comply with California and federal EPA emission regulations for SORE (Small Off Road Equipment) are certified to operate on regular unleaded gasoline, and may include the following emission control systems: Engine Modification (EM), Oxidizing Catalyst (OC), Secondary Air Injection (SAI) and Three Way Catalyst (TWC) if so equipped.

SPARK ARRESTOR

WARNING

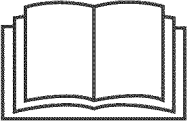







This machine is equipped with an internal combustion engine and should not be used on or near any unimproved forest-covered, brush-covered or grass-covered land unless the engine's exhaust system is equipped with a spark arrestor meeting applicable local or state laws (if any)

If a spark arrestor is used, it should be maintained in effective working order by the operator. In the State of California the above is required by law (Section 4442 of the California Public Resources Code). Other states may have similar laws. Federal laws apply on federal lands. A spark arrestor for the muffler is available through your nearest Sears Parts and Repair Service Center.

SAFETY INSTRUCTIONS

SAFETY SYMBOLS

This page depicts and describes safety symbols that may appear on this product. Read, understand, and follow all instructions on the machine before attempting to assemble and operate.

Symbol	Description
	READ THE OPERATOR'S MANUAL(S) Read, understand, and follow all instructions in the manual(s) before attempting to assemble and operate
	WARNING— ROTATING BLADES Keep hands out of inlet and discharge openings while machine is running. There are rotating blades inside
	WARNING— ROTATING BLADES Keep hands out of inlet and discharge openings while machine is running. There are rotating blades inside
	WARNING— ROTATING AUGER Do not put hands or feet near rotating parts, in the auger/impeller housing or chute assembly. Contact with the rotating parts can amputate hands and feet.
	WARNING—THROWN OBJECTS This machine may pick up and throw objects which can cause serious personal injury.
	WARNING—GASOLINE IS FLAMMABLE Allow the engine to cool at least two minutes before refueling.
	WARNING— CARBON MONOXIDE Never run an engine indoors or in a poorly ventilated area. Engine exhaust contains carbon monoxide, an odorless and deadly gas.
	WARNING— ELECTRICAL SHOCK Do not use the engine's electric starter in the rain

ASSEMBLY

IMPORTANT: This unit is shipped with the engine full of oil. After assembly, see page 10 for fuel and oil details.

Removing From Carton

1. Cut the corners of the carton and lay the sides flat on the ground. Remove all packing inserts.
2. Move the snow thrower out of the carton.
3. Make certain the carton has been completely emptied before discarding it.

⚠ WARNING

DO NOT lift the snow thrower by the chute handle.

Before Assembly

NOTE: Reference to right, left, front or rear of the unit is from the operating position, facing forward, unless otherwise stated.

Setting Up The Handle

NOTE: Be aware of the three loosely fitted cable ties attached to the lower handle that will be utilized later to secure the cables.

1. Loosen and remove the wing knob, saddle washer, handle tab and carriage screw on each side of the lower handle. See Figure 1.
2. Slide the loosely fitted cable tie from the right side of the lower handle up to the cross member of the lower handle. Leave the second cable tie in place on the right side of the lower handle. See Figure 3 for reference.

IMPORTANT: It will be necessary to lift the upper handle while sliding up this cable tie to prevent damage to the cable.

3. Lift the upper handle up and position it over the lower handle, aligning the holes where the wing knobs were removed (1). See Figure 2.

⚠ CAUTION

Be careful not to bend or kink the cables.

4. Insert a carriage screw from the outside through a handle tab, the upper and lower handles, a saddle washer and into the wing knob (2). Repeat on the other side.
5. Tighten the wing knobs on each side of the handle. Refer to Figure 2.

NOTE: The auger cable routes down the left lower handle and the drive cable is routed across the top of the lower handle and down the right side of the lower handle. See Figure 3.

6. Two cable ties have been used to loosely tie the control cables to the lower handle. A push clip is also included on the lower drive cable. Position cable ties now, as in Fig. 3, and tighten to secure cables to the lower handle. Trim off excess material of cable ties. Install the push clip into the hole in the handle provided as shown in the left inset in Figure 3.

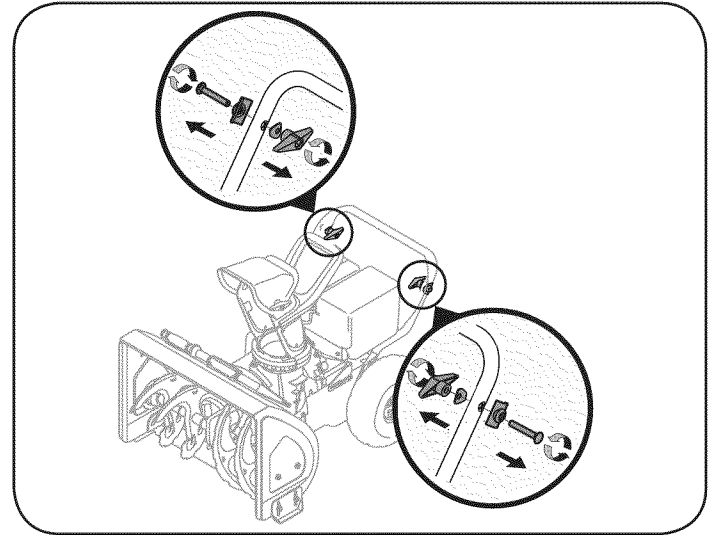


Figure 1

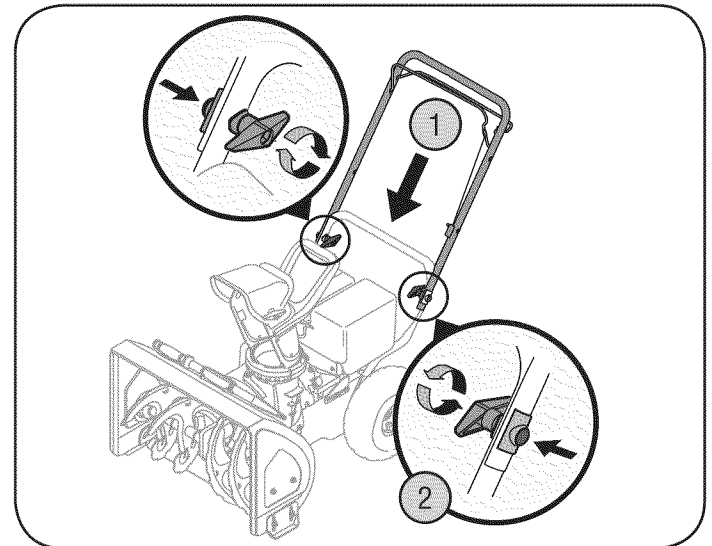


Figure 2

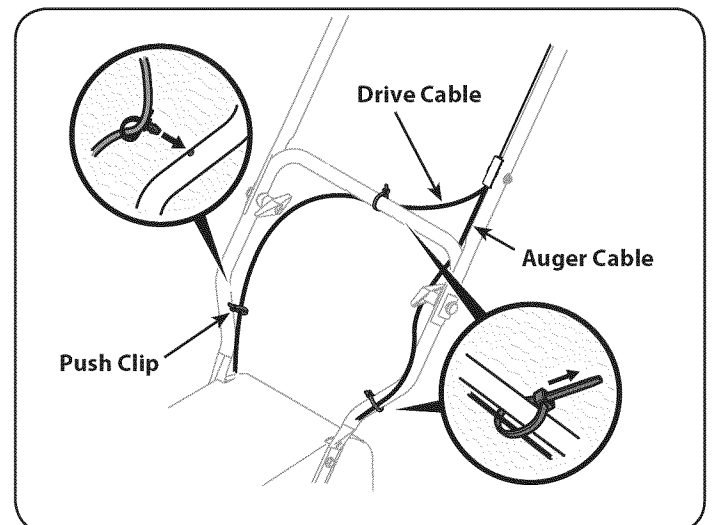


Figure 3

ASSEMBLY

Skid Shoe

The snow thrower skid shoes are adjusted upward at the factory for shipping purposes. Adjust them downward, if desired, prior to operating the snow thrower.

⚠ CAUTION

It is not recommended that you operate this snow thrower on gravel as it can easily pick up and throw loose gravel, causing personal injury or damage to the snow thrower and surrounding property.

- For close snow removal on a smooth surface, raise skid shoes higher on the auger housing to lower shave plate.
- When the area to be cleared is uneven, such as a gravel driveway, lower skid shoes on the auger housing to raise the shave plate.

NOTE: If you choose to operate the snow thrower on a gravel surface, keep the skid shoes in lowest position for maximum clearance between the ground and the shave plate.

⚠ CAUTION

Operating a snow thrower equipped with steel skid shoes may result in damage to natural stone paved surfaces (e.g. sandstone, bluestone, limestone). For information on available polymer skid shoes, call 1-800-4MY-HOME.

To adjust the skid shoes:

1. Loosen the four hex nuts (two on each side) and carriage bolts. Move skid shoes to desired position. See Figure 4.

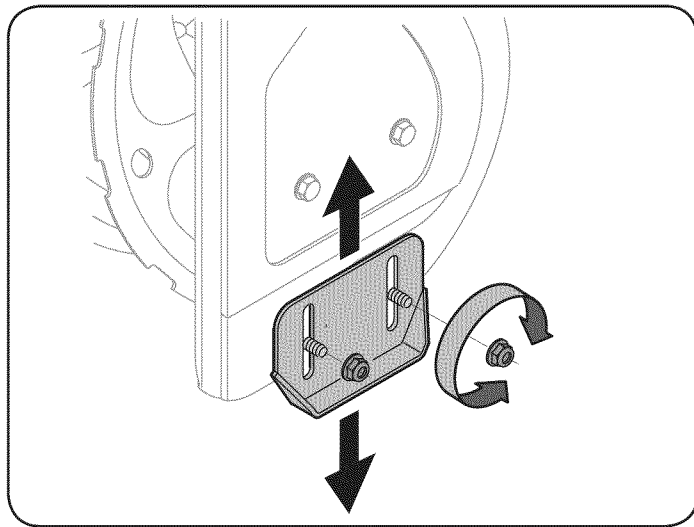
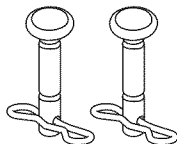


Figure 4

2. Make certain the entire bottom surface of skid shoe is against the ground to avoid uneven wear on the skid shoes.
3. Retighten nuts and bolts securely.

Shear Pins

A pair of replacement auger shear pins and bow tie cotter pins are included with your snow thrower. Store them in a safe place until needed.



Clean-Out Tool

The chute clean-out tool is fastened to the top of the auger housing with a mounting clip and a cable tie at the factory. Cut the cable tie before operating the snow thrower. See Figure 5.

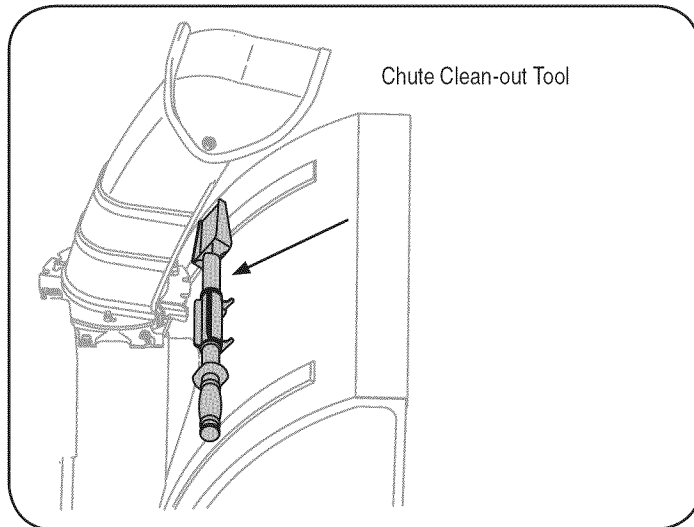


Figure 5

Tire Pressure

The proper inflation pressure is between 15 psi and 20 psi. Check the tire pressure periodically and maintain equal pressure in both tires at all times. Excessive pressure (above 20 psi) may cause the wheel (tire/rim) assembly to burst with sufficient force to cause serious injury. Do not over-inflate the tire. Use a manual pump or portable electric tire inflator to prevent over-inflation. NEVER USE AN AIR COMPRESSOR.

⚠ WARNING

Over-inflating the tire with excessive pressure (above 20 psi) may cause the tire/rim to burst with sufficient force to cause serious injury.

ASSEMBLY

Fuel Recommendations

Use automotive gasoline (unleaded or low leaded to minimize combustion chamber deposits) with a minimum of 87 octane. Gasoline with up to 10% ethanol or 15% MTBE (Methyl Tertiary Butyl Ether) can be used. Never use an oil/gasoline mixture or dirty gasoline. Avoid getting dirt, dust, or water in the fuel tank. DO NOT use E85 gasoline.

- Refuel in a well-ventilated area with the engine stopped. Do not smoke or allow flames or sparks in the area where the engine is refueled or where gasoline is stored.
- Do not overfill the fuel tank. After refueling, make sure the tank cap is closed properly and securely.
- Be careful not to spill fuel when refueling. Spilled fuel or fuel vapor may ignite. If any fuel is spilled, make sure the area is dry before starting the engine.
- Avoid repeated or prolonged contact with skin or breathing of vapor.

Adding Fuel

⚠ WARNING

Use extreme care when handling gasoline. Gasoline is extremely flammable and the vapors are explosive. Never fuel the machine indoors or while the engine is hot or running. Extinguish cigarettes, cigars, pipes and other sources of ignition.

⚠ WARNING

Always keep hands and feet clear of equipment moving parts. Do not use a pressurized starting fluid. Vapors are flammable.

1. Clean around fuel fill before removing cap to fuel.
2. A fuel level indicator is located in the fuel tank. Fill tank until fuel reaches the fuel level indicator, Figure 6. Be careful not to overfill.

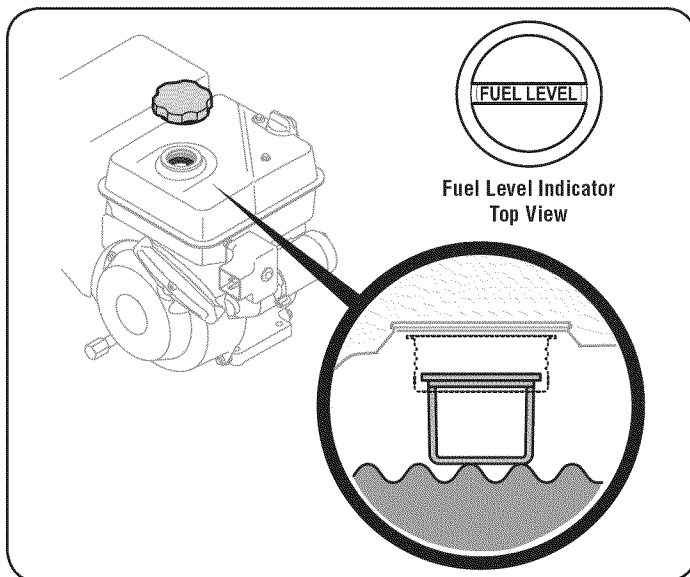


Figure 6

Checking Oil Level

⚠ CAUTION

The engine is shipped with oil in the engine. You must, however, check the oil level prior to operating the snow thrower. Running the engine with insufficient oil can cause serious engine damage and void the engine warranty.

NOTE: Be sure to check the engine on a level surface with the engine stopped.

1. Remove the oil filler cap/dipstick and wipe the dipstick clean. See Figure 7.

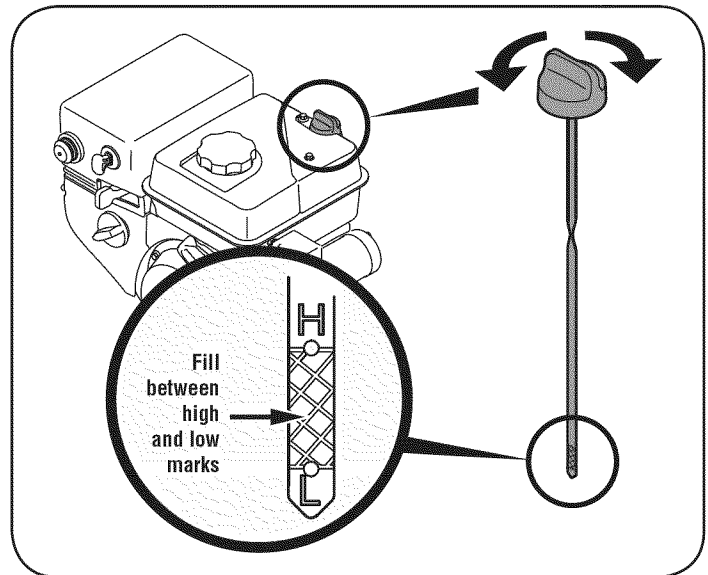


Figure 7

2. Insert the cap/dipstick into the oil filler neck, turn the cap 1/4 turn until fully seated.
NOTE: On some engines, a threaded cap/dipstick may exist instead of a 1/4 turn cap as described above. In this instance do not fully tighten the cap to check the oil level. Simply rest the cap on the threads to check for proper oil level.
3. Remove the oil filler cap/dipstick. If the level is low, slowly add oil until oil level registers between high (H) and low (L), Figure 7. Refer to the Engine Maintenance section for correct oil viscosity and engine oil capacity.
NOTE: Do not overfill. Overfilling with oil may result in engine smoking, hard starting or spark plug fouling.
4. Replace and tighten cap/dipstick firmly before starting engine.

ASSEMBLY

Discharge Chute

1. Loosen the wing knob on the upper chute, adjust chute and chute control to desired operating position.
2. Tighten the wing knob on the upper chute making sure the carriage bolt is correctly positioned. Refer to Figure 8.

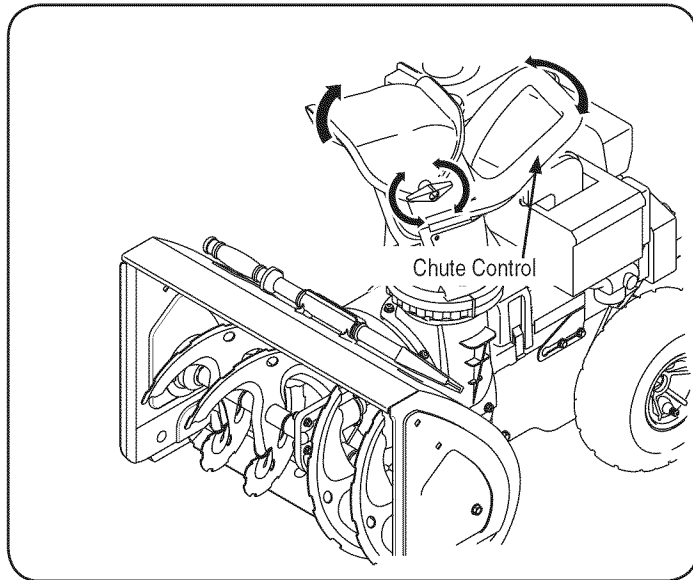


Figure 8

Auger Control Test



IMPORTANT: Perform the following test before operating the snow thrower for the first time and at the start of each winter season.

Check the adjustment of the auger control as follows:

1. When auger control is released and in the disengaged “up” position, cable should have very little slack, but should NOT be tight.

⚠ WARNING

Do not over-tighten the cable. Over-tightening may prevent the auger from disengaging and compromise the safety of the snow thrower.

2. In a well-ventilated area, start the snow thrower engine as instructed on page 10 under the heading Starting Engine. Make sure the throttle is set in the FAST  position.
3. While standing in operator’s position (behind unit) engage auger.
4. Allow auger to remain engaged for approximately ten (10) seconds before releasing the auger control. Repeat this several times.
5. With the engine running in the FAST  position and the auger control in the disengaged “up” position, walk to the front of the machine.
6. Confirm that the auger has completely stopped rotating and shows NO signs of motion
7. If the auger shows ANY signs of rotating, immediately return to the operator’s position and shut off the engine. Wait for all moving parts to stop before readjusting the auger control.
8. Loosen the rear hex bolt on the cable adjustment bracket. See Figure 9.

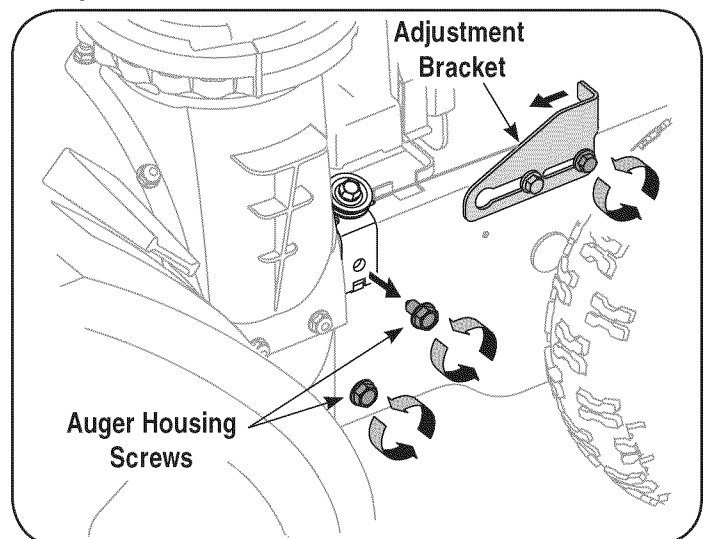
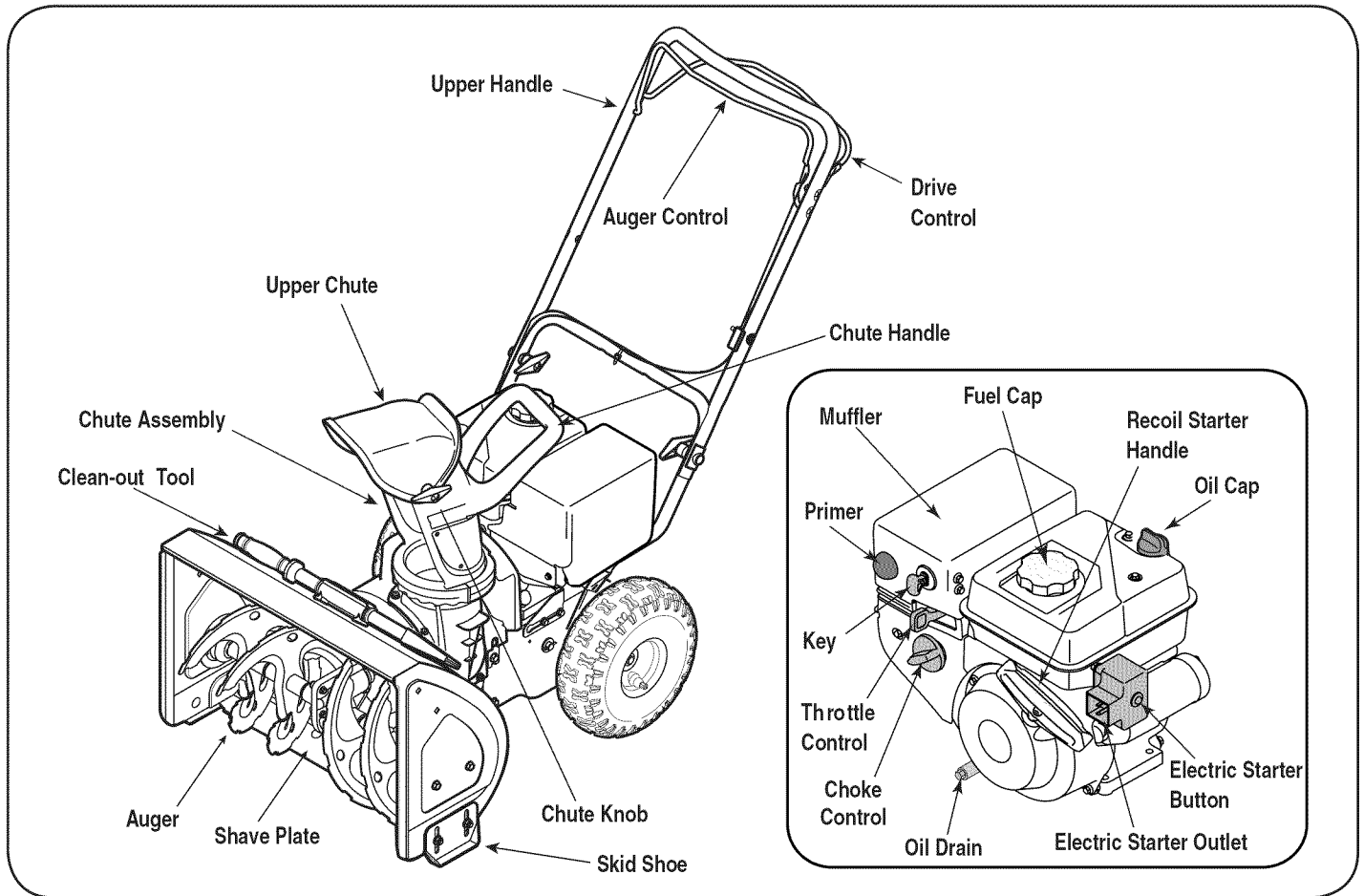


Figure 9

9. Slide the cable adjustment bracket backwards taking up the slack in the auger cable.
10. Retighten the rear hex bolt
11. Repeat steps 2-6 above to verify proper adjustment has been achieved.

OPERATION



⚠ WARNING

Be familiar with all the controls on the snow thrower and their proper operation. Know how to stop the machine and disengage them quickly.

Snow thrower controls and features are described below and illustrated in the figure above.

Drive Control

Located on the underside of the upper handle, the drive control is used to engage/disengage wheels. Squeeze the drive control against the upper handle to engage the wheels; release to disengage.

Auger Control

The auger control is on the front of the upper handle. Squeeze the auger control against the upper handle to engage the auger; release to disengage the auger.

⚠ WARNING

Never make adjustments to the chute assembly unless both auger and drive controls are disengaged and the operator is standing beside the unit.

IMPORTANT: Refer to Auger Control Test in the Assembly section of this manual prior to operating your snow thrower. Read and follow all instructions carefully and perform all adjustments to verify your snow thrower is operating safely and properly.

Chute Handle

The direction of snow throwing corresponds to the direction of the chute opening. Use the chute handle to turn the chute assembly in the direction you wish to throw the snow.

Chute Knob

The distance snow is thrown can be adjusted by either raising or lowering the upper chute. Loosen the chute knob on the side of the upper chute to adjust. Pivot the upper chute to desired position, and retighten the chute knob. Raising the chute throws the snow further.

Shave Plate

The shave plate maintains contact with pavement as the snow thrower is propelled, allowing snow close to pavement's surface to be discharged.

Skid Shoe

The space between the shave plate and the ground can be adjusted. For close snow removal, place skid shoes in the highest position. Use middle or lowest position when area to be cleared is uneven or on gravel surfaces.

OPERATION

Auger

When engaged, the auger rotates and draws snow into the auger housing.

Chute Assembly

Snow drawn into the auger housing is discharged out the chute assembly.

Choke Control

The choke control aids in starting the engine. For information on choke usage, see Starting The Engine later in this section.



Recoil Starter & Starter Handle

This motor is fitted with a recoil action pull start and a mitten grip handle for easy access while wearing gloves or mittens.

Key

The key is a safety device. It must be fully inserted in order for the engine to start. Remove the key when the snow thrower is not in use.



NOTE: Do not turn the key in an attempt to start the engine. Doing so may cause it to break.

Electric Starter Button

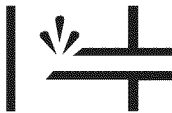
Pressing the electric starter button engages the engine's electric starter when plugged into a 120V power source.

Electric Starter Outlet

Requires the use of a three-prong outdoor extension cord (included) and a 120V power source/wall outlet.

Primer

Pressing the primer forces fuel directly into engine's carburetor to aid in cold-weather starting. Refer to the starting instructions in the Operation section of this manual for proper primer usage. The image to the right corresponds with the label on the engine identifying the primer.



Oil Fill

Remove oil cap to add oil. Refer to the Maintenance & Service section for checking and adding oil instructions.


Gasoline Cap

Remove gas cap to add fuel. Unit runs on regular gas.

NOTE: This unit may include a fuel plug, which is only used during assembly to keep dirt and debris out of fuel tank. Discard the fuel plug before filling the fuel tank.

Throttle Control



The throttle control is located on the engine. It regulates the speed of the engine and will shut off the engine when placed in the Stop  position.

Clean-Out Tool

WARNING

Never use your hands to clear a clogged chute assembly. Shut off engine and remain behind handles until all moving parts have stopped before using the clean-out tool to clear the chute assembly.

The chute clean-out tool is conveniently fastened to the rear of the auger housing with a mounting clip. Should snow and ice become lodged in the chute assembly during operation, proceed as follows to safely clean the chute assembly and chute opening:

1. Release both the Auger Control and the Drive Control.
2. Stop the engine by removing the key.
3. Remove the clean-out tool from the clip which secures it to the rear of the auger housing.
4. Use the shovel-shaped end of the clean-out tool to dislodge and scoop any snow and ice which has formed in and near the chute assembly.
5. Refasten the clean-out tool to the mounting clip on the rear of the auger housing, reinsert the key and start the snow thrower's engine.
6. While standing in the operator's position (behind the snow thrower), engage the auger control for a few seconds to clear any remaining snow and ice from the chute assembly.

Before Starting Engine

WARNING

Read, understand, and follow all instructions and warnings on the machine and in this manual before operating.

Check Engine Oil

The unit was shipped with oil in the engine. Check oil level before each operation to ensure adequate oil in the engine. For further instructions, refer to the Maintenance & Service section of this manual.

NOTE: Be sure to check the engine on a level surface with the engine stopped.

1. Remove the oil filler cap/dipstick and wipe the dipstick clean.
2. Insert the cap/dipstick into the oil filler neck, turn the cap 1/4 turn until fully seated.

NOTE: On some engines, a threaded cap/dipstick may exist instead of a 1/4 turn cap as described above. In this instance do not fully tighten the cap to check the oil level. Simply rest the cap on the threads to check for proper oil level.

3. Remove the oil filler cap/dipstick. If the level is low, slowly add oil (5W-30, with a minimum classification of SF/SG) until oil level registers between high (H) and low (L).

NOTE: Do not overfill. Overfilling with oil may result in engine smoking, hard starting or spark plug fouling.

4. Replace and tighten cap/dipstick firmly before starting engine.

OPERATION

Gasoline

Use automotive gasoline (unleaded or low leaded to minimize combustion chamber deposits) with a minimum of 87 octane. Gasoline with up to 10% ethanol or 15% MTBE (Methyl Tertiary Butyl Ether) can be used. Never use an oil/gasoline mixture or dirty gasoline. Avoid getting dirt, dust, or water in the fuel tank. DO NOT use E85 gasoline.

- Refuel in a well-ventilated area with the engine stopped. Do not smoke or allow flames or sparks in the area where the engine is refueled or where gasoline is stored.
- Do not overfill the fuel tank. After refueling, make sure the tank cap is closed properly and securely.
- Be careful not to spill fuel when refueling. Spilled fuel or fuel vapor may ignite. If any fuel is spilled, make sure the area is dry before starting the engine.
- Avoid repeated or prolonged contact with skin or breathing of vapor.

WARNING

Use extreme care when handling gasoline. Gasoline is extremely flammable and the vapors are explosive. **Never** fuel the machine indoors or while the engine is hot or running. Extinguish cigarettes, cigars, pipes and other sources of ignition.

1. Clean around fuel fill before removing cap to fuel to avoid dirt and debris falling into fuel tank.
2. A fuel level indicator is located in the fuel tank. Fill tank until fuel reaches the fuel level indicator. See Figure 10 inset. Be careful not to overfill.

Starting The Engine

WARNING

Always keep hands and feet clear of moving parts. Do not use a pressurized starting fluid. Vapors are flammable.

NOTE: For location of all the engine controls referred to in this section, refer to Figure 9 on page 12.

NOTE: Allow the engine to warm up for a few minutes after starting. The engine will not develop full power until it reaches operating temperatures.

1. Make certain both the auger control and drive control are in the disengaged (released) position.
2. Insert key into slot. Make sure it snaps into place. Do not attempt to turn the key.

NOTE: The engine cannot start without the key fully inserted into the switch.



Electric Starter

WARNING

The optional electric starter is equipped with a grounded three-wire power cord and plug, and is designed to operate on 120 volt AC household current. It must be used with a properly grounded three-prong receptacle at all times to avoid the possibility of electric shock. Follow all instructions carefully prior to operating the electric starter. DO NOT use electric starter in the rain.

Determine that your home's wiring is a three-wire grounded system. Ask a licensed electrician if you are not certain.



If you have a grounded three-prong receptacle, proceed as follows. If you do not have the proper house wiring, DO NOT use the electric starter under any conditions.

1. Plug the extension cord into the outlet located on the engine's surface. Plug the other end of extension cord into a three-prong 120-volt, grounded, AC outlet in a well-ventilated area.
2. Move throttle control to FAST (rabbit)  position.
3. Move choke control to the CHOKE position  (cold engine start). If engine is warm, place choke control in RUN position.
4. Push primer three (3) times, making sure to cover vent hole when pushing. If engine is warm, push primer only once. Always cover vent hole when pushing. Cool weather may require priming to be repeated.
5. Push and hold starter button down to start engine. Once the engine starts, immediately release starter button. Electric starter is equipped with thermal overload protection; system will temporarily shut down to allow starter to cool if electric starter becomes overloaded.
6. As the engine warms, slowly rotate the choke control to RUN position. If the engine falters, restart engine and run with choke control at half-choke position for a short period of time, and then slowly rotate the choke into RUN position.
7. After engine is running, disconnect power cord from electric starter. When disconnecting, always unplug the end at the wall outlet before unplugging the opposite end from the engine.

Recoil Starter

CAUTION

Do not pull the starter handle while the engine running.

1. Move throttle control to FAST (rabbit)  position.
2. Move choke control to the CHOKE position  (cold engine start). If engine is warm, place choke control in RUN position.
3. Push primer three (3) times, making sure to cover vent hole when pushing. If engine is warm, push primer only once. Always cover vent hole when pushing. Cool weather may require priming to be repeated.
4. Pull gently on the starter handle until it begins to resist, then pull quickly and forcefully to overcome the compression. Engine should start. Do not release the handle and allow it to snap back. Return rope SLOWLY to original position. If required, repeat this step.
5. As the engine warms, slowly rotate the choke control to RUN position. If the engine falters, restart engine and run with choke control at half-choke position for a short period of time, and then slowly rotate the choke into RUN position.


WARNING

To avoid unsupervised engine operation, never leave the machine unattended with the engine running. Turn the engine off after use and remove ignition key.


OPERATION

Stopping The Engine

Run engine for a few minutes before stopping to help dry off any moisture on the engine.

1. Move throttle control to STOP  position.
2. Remove the key. Removing the key will reduce the possibility of unauthorized starting of the engine while equipment is not in use. Keep the key in a safe place. The engine cannot start without the key.
3. Wipe any moisture away from the controls on the engine..

To Stop The Snow Thrower

1. To stop the wheels, release the drive control.
2. To stop throwing snow, release the auger control.
3. To stop engine, move throttle control lever to OFF  and pull out the key. Do not turn key.

WARNING

The temperature of muffler and the surrounding areas may exceed 150° F. Avoid these areas.

Using Snow Thrower to Clear Snow

CAUTION: Check the area to be cleared for foreign objects. Remove foreign objects, if any.

1. Start the engine following starting instructions.
2. Allow the engine to warm up for a few minutes as the engine will not develop full power until it reaches operating temperature.
3. Rotate the chute assembly to the desired direction, away from bystanders and/or buildings.
4. Making certain no bystanders or obstacles are in front of the unit, squeeze the auger control completely against the upper handle to fully engage the auger.
5. While the auger control is engaged, squeeze the drive control completely against the upper handle to engage the wheels. Do not "feather" the drive control.
6. As the snow thrower starts to move, maintain a firm hold on the handle, and guide the snow thrower along the path to be cleared.
7. Release the auger and drive controls to stop the snow throwing action and forward motion.

NOTE: Your unit is equipped with a clutch in the transmission. If the wheels stop turning while trying to discharge large volumes of snow, immediately disengage the drive control and allow the rotating auger to discharge snow from the housing. Reduce the clearing width and continue operation.

8. On each succeeding pass, readjust the chute assembly to the desired position and slightly overlap the previously cleared path.

Positioning Discharge Chute

Loosen the chute knob and pivot upper chute to desired position. Tighten the chute knob making sure the carriage bolt is correctly positioned. Raising the chute throws snow further.

Rotate chute handle to desired operating position.

WARNING

Do not lift the snow thrower at any time by the chute handle.

Operating Tips

1. For most efficient snow removal, remove snow immediately after it falls.
 2. Discharge snow downwind whenever possible. Slightly overlap each previous path.
 3. Set the skid shoes 1/4" below the shave plate for normal usage. The skid shoes may be adjusted upward for hard-packed snow.
- NOTE:** It is not recommended that you operate this snow thrower on gravel as loose gravel can be easily picked up and thrown by the auger causing personal injury and/or damage to the snow thrower.
4. If you choose to operate the snow thrower on gravel, keep the skid shoe in the lowest position for maximum clearance between the ground and the shave plate.
 5. Clean the snow thrower thoroughly after each use.

REPLACING SHEAR PINS

The auger is secured to the spiral shaft with two shear pins and bow-tie clips. If the auger should strike a foreign object or ice jam, the snow thrower is designed so that the shear pins may shear. If auger will not turn, check to see if the pins have sheared. See Figure 10.

CAUTION

NEVER replace the auger shear pins with anything other than OEM Part No. 738-04124 replacement shear pins. See Parts List in this Operator's Manual. Any damage to the snow thrower as a result of failing to do so will NOT be covered by your snow thrower's warranty.

WARNING

Always turn off the snow thrower's engine and remove the key prior to replacing shear pins.

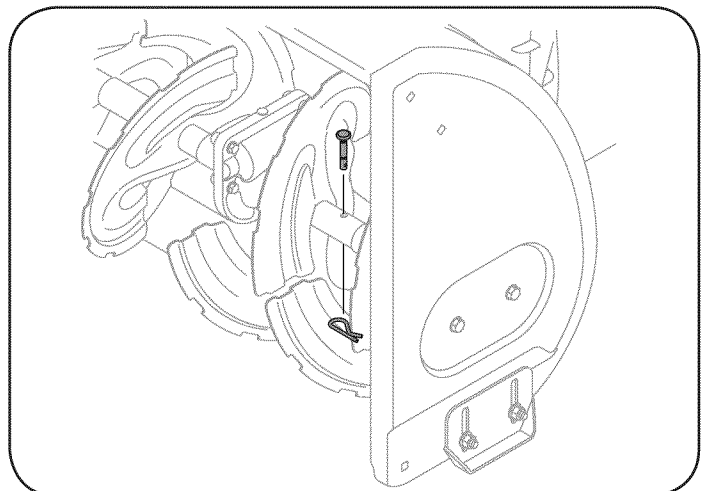


Figure 10

MAINTENANCE & SERVICE

⚠ WARNING

Before servicing, repairing, lubricating or inspecting, disengage all controls and stop engine. Wait until all moving parts have come to a complete stop. Remove the key to prevent unintended starting. Always wear safety glasses during operation or while performing any adjustments or repairs.

Follow the maintenance schedule given below. This chart describes service guidelines only. Use the Service Log column to keep track of completed maintenance tasks. **To locate the nearest Sears Service Center or to schedule service, simply contact Sears at 1-800-4-MY-HOME®.**

Maintenance Schedule

Interval	Item	Service	Service Log
Each Use and every 5 hours	1. Engine oil level 2. Loose or missing hardware 3. Unit and engine.	1. Check 2. Tighten or replace 3. Clean	
1st 5 hours	1. Engine oil	1. Change	
Annually or 25 hours	1. Spark plug 2. Control linkages and pivots 3. Wheels 4. Gear shaft and Auger shaft	1. Check 2. Lube with light oil 3. Lube with multipurpose auto grease 4. Lube with light oil	
Annually or 50 hours	1. Engine oil	1. Change	
Annually or 100 hours	1. Spark plug	1. Clean, adjust gap, or replace if necessary	
Before Storage	1. Fuel system	1. Run engine until it stops from lack of fuel	

ENGINE MAINTENANCE

Checking Engine Oil

⚠ WARNING

Before lubricating, repairing, or inspecting, disengage all controls and stop engine. Wait until all moving parts have come to a complete stop.

NOTE: Check the oil level before each use and after every five hours of operation to be sure correct oil level is maintained.

When adding oil to the engine, refer to viscosity chart below. Engine oil capacity is 600 ml (approx. 20 oz.). Do not over-fill. Use a 4-stroke, or an equivalent high detergent, premium quality motor oil certified to meet or exceed U.S. automobile manufacturer's requirements for service classification SG, SF. Motor oils classified SG, SF will show this designation on the container.

1. Remove the oil filler cap/dipstick and wipe the dipstick clean.
2. Insert the cap/dipstick into the oil filler neck, turn the cap 1/4 turn until fully seated.

NOTE: On some engines, a threaded cap/dipstick may exist instead of a 1/4 turn cap as described above. In this instance do not fully tighten the cap to check the oil level. Simply rest the cap on the threads to check for proper oil level.

3. Remove the oil filler cap/dipstick. If level is low, slowly add oil until oil level registers between high (H) and low (L). See Figure 11.
4. Replace and tighten cap/dipstick firmly before starting engine.

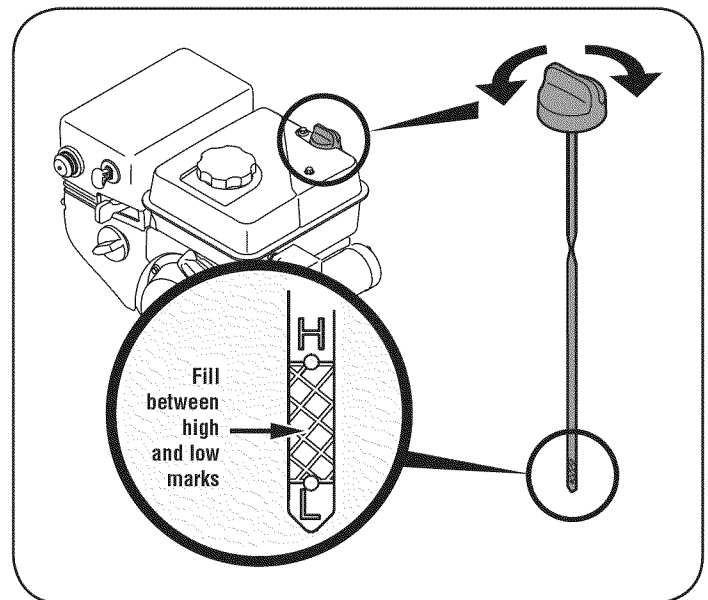


Figure 11

Changing Engine Oil

NOTE: Change the engine oil after the first 5 hours of operation and once a season or every 50 hours thereafter.

1. Drain fuel from tank by running engine until the fuel tank is empty. Be sure fuel fill cap is secure.
2. Place suitable oil collection container under oil drain plug.
3. Remove oil drain plug. See Figure 12.
4. Tip engine to drain oil into the container. Used oil must be disposed of at a proper collection center

MAINTENANCE & SERVICE

⚠ CAUTION

Used oil is a hazardous waste product. Dispose of used oil properly. Do not discard with household waste. Check with your local authorities or Sears Service Center for safe disposal/recycling facilities.

- Reinstall the drain plug and tighten it securely.
- Refill with the recommended oil and check the oil level. See Recommended Oil Usage chart. The engine's oil capacity is 20 ounces.

	Synthetic 0W-30				
		5W-30			
(°F)	-40°	-20°	0°	20°	40°
(°C)	-30°	-20°	-10°	0°	

⚠ CAUTION

DO NOT use non-detergent oil or 2-stroke engine oil. It could shorten the engine's service life.

- Reinstall the oil filler cap/dipstick securely.

⚠ CAUTION

Thoroughly wash your hands with soap and water as soon as possible after handling used oil.

Checking Spark Plug

⚠ WARNING

DO NOT check for spark with spark plug removed. DO NOT crank engine with spark plug removed.

⚠ WARNING

If the engine has been running, the muffler will be very hot. Be careful not to touch the muffler.

NOTE: Check the spark plug once a season or every 25 hours of operation. Change the spark plug once a season or every 100 hours. To ensure proper engine operation, the spark plug must be properly gapped and free of deposits.

- Remove the spark plug boot and use a spark plug wrench to remove the plug. See Figure 13.
- Visually inspect the spark plug. Discard the spark plug if there is apparent wear, or if the insulator is cracked or chipped. Clean the spark plug with a wire brush if it is to be reused.
- Measure the plug gap with a feeler gauge. Correct as necessary by bending side electrode. See Figure 14. The gap should be set to .02-.03 inches (0.60-0.80 mm).
- Check that the spark plug washer is in good condition and thread the spark plug in by hand to prevent cross-threading.
- After the spark plug is seated, tighten with a spark plug wrench to compress the washer.

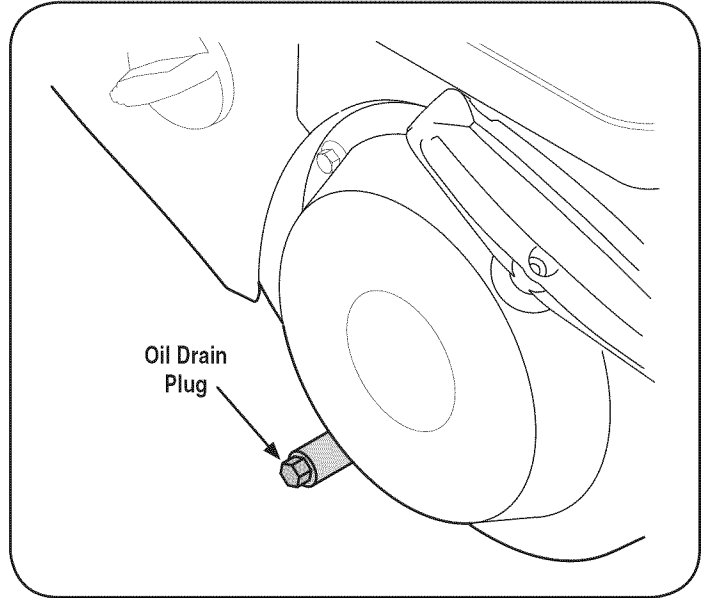


Figure 12

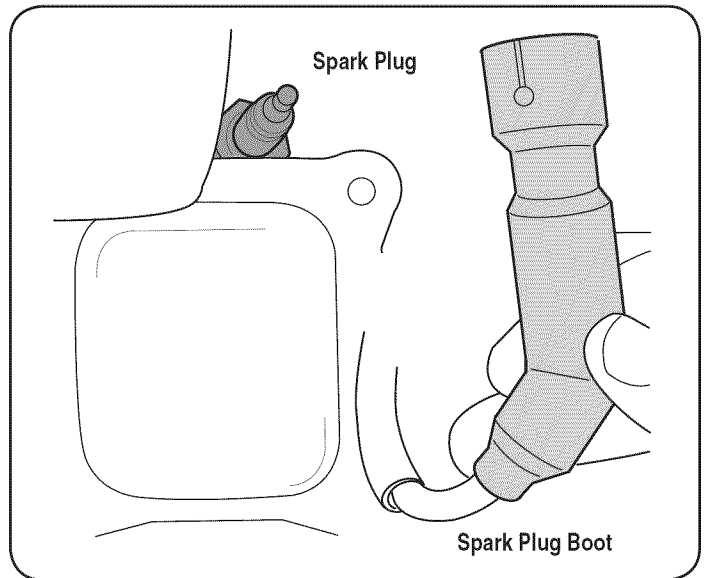


Figure 13

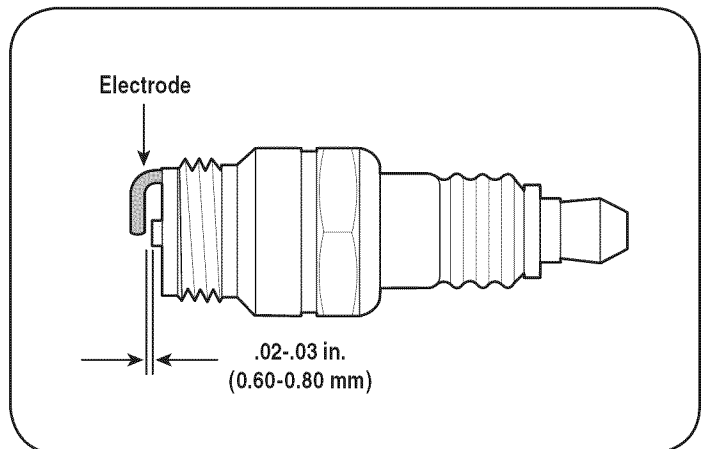


Figure 14

MAINTENANCE & SERVICE

NOTE: When installing a new spark plug, tighten 1/2-turn after the spark plug seats to compress the washer. When reinstalling a used spark plug, tighten 1/8- to 1/4-turn after the spark plug seats to compress the washer.

- General Recommendations
1. Always observe safety rules when performing any maintenance.
 2. The warranty on this snow thrower does not cover items that have been subjected to operator abuse or negligence. To receive full value from the warranty, operator must maintain the snow thrower as instructed in this manual.
 3. Periodically check all fasteners and hardware to make sure these are tight.

Replacing the Shave Plate and Skid Shoes

The shave plate and skid shoes on the bottom of the snow thrower are subject to wear. These should be checked periodically and replaced when necessary.

1. To replace, remove two carriage bolts and nuts securing each skid shoe to the auger housing. See Figure 15.

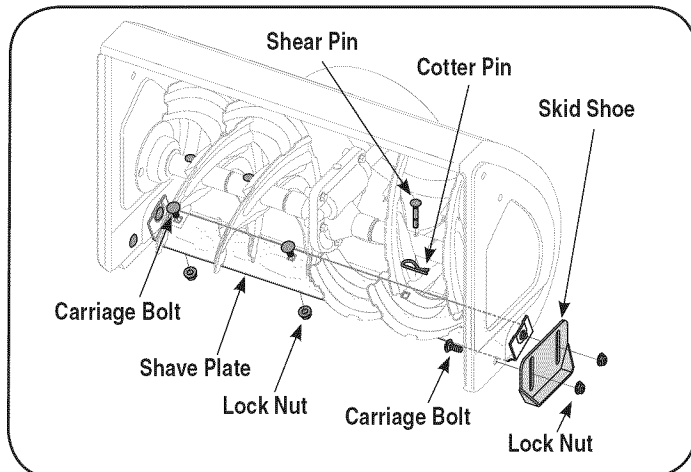


Figure 15

2. Reassemble new skid shoes with hardware just removed. Make sure the skid shoes are adjusted to be level.
3. To remove shave plate: Remove both skid shoes and hardware including carriage bolts and nuts which attach shave plate to the snow thrower housing. For location of shave plate, see Figure 15.
4. Reassemble new shave plate, making sure heads of the carriage bolts are to the inside of the housing. Reinstall skid shoes. Tighten securely.

Servicing Auger

The auger is secured to the spiral shaft with four shear pins and cotter pins. If you hit a foreign object or ice jam, the snow thrower is designed so that the pins may shear. Refer to Figure 15.

If the auger does not turn, check if the pins have sheared. Replace, if needed, with proper shear pins. Refer to the Parts List in this manual for the correct part number.

IMPORTANT: NEVER replace the auger shear pins with standard pins or fasteners. Any damage to the auger gearbox or other components, as a result of doing so, will NOT be covered by your snow thrower's warranty.

Lubrication

For a view of the lubrication points on the snow thrower, see Figure 16.

1. Lubricate pivot points on the auger control and drive control with a light engine oil once a season.
2. Lubricate the auger idler bracket with a light engine oil once a season.

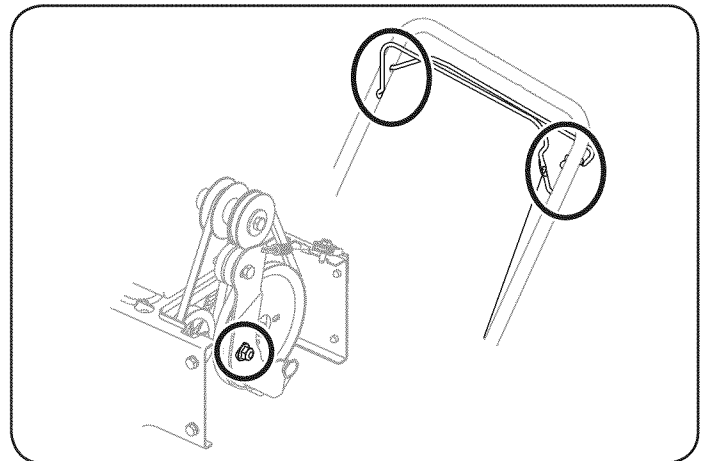


Figure 16

Engine

Listed below are general recommendations about maintaining your snow thrower engine.

1. Before operating snow thrower, check the oil level.
2. Change engine oil after first five hours of operation and every 50 hours thereafter.
3. Clean spark plug and reset the electrode gap to 0.030" at least once a season or every 100 hours of operation; replace every 200 hours of operation.

MAINTENANCE & SERVICE

Check V-Belts

Follow instructions below to check condition of drive belts every 50 hours of operation.

1. Remove the plastic belt cover on the front of the engine by removing the self-tapping screw and pressing the plastic tabs to release the belt cover.
2. Visually inspect for frayed, cracked, or excessively worn out belts. Replace, if necessary, and follow instructions below.

Replacing Belts

NOTE: There are two belts on this snow thrower: an auger belt and drive belt. It is recommended that both belts be replaced at the same time.

1. Remove the spark plug wire from spark plug and ground it against the engine to prevent accidental starting.
2. Run the engine until the fuel tank is dry to prevent gasoline leakage when replacing belts.

⚠ WARNING

Perform belt maintenance outdoors as some gas may possibly leak from the carburetor.

3. Remove the self-tapping screw shown in Figure 17, and press the plastic tabs to release the belt cover. Pull the belt cover up and out from around the engine and chute assembly. Set it aside and save.

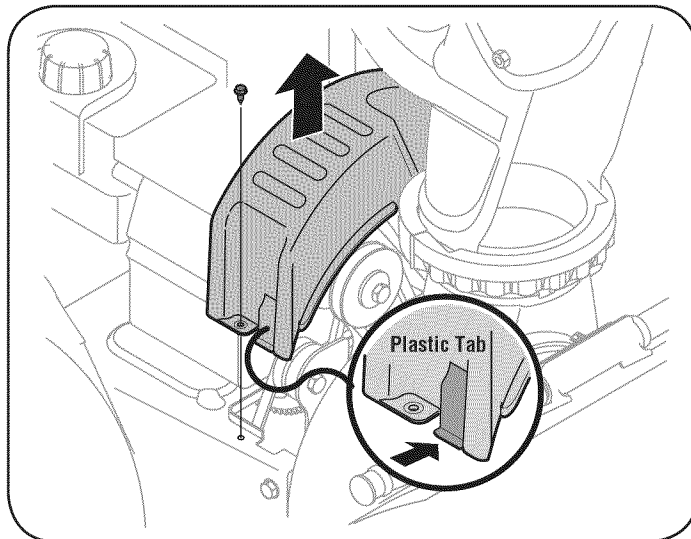


Figure 17

Auger Belt

IMPORTANT: Because gas could leak from the carburetor when servicing auger belt, run the engine until the fuel tank is dry, as previously instructed in Replacing Belts.

1. Tip the snow thrower up and forward so that it rests on the auger housing. Remove the belt keeper as called out in Figure 19. Return the snow thrower to its upright position to complete the following steps.
2. Slip the front auger belt off of the engine pulley, pushing it forward and rolling in off of the pulley. See Figure 18.

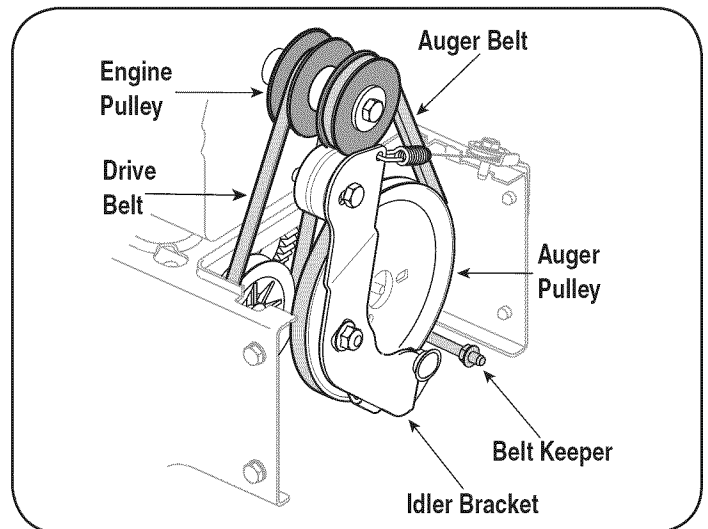


Figure 18

3. Squeeze the auger control handle to release the auger brake, which is the tab that holds the belt onto the auger pulley. Remove the belt.
4. Replace with new belt after replacing the drive belt.

MAINTENANCE & SERVICE

Drive Belt

NOTE: Replace the drive belt before reassembling the new auger belt.

1. Tip the snow thrower up and forward so that it rests on the auger housing.

IMPORTANT: Because gas could leak from the carburetor when servicing auger belt, run the engine until the fuel tank is dry, as previously instructed in Replacing Belts.

2. Remove the spring that connects the transmission to a bolt on the engine frame. See Figure 19.

NOTE: It may be easier to first remove the flange lock nut, then use needle-nosed pliers to firmly grip spring and remove from bolt.

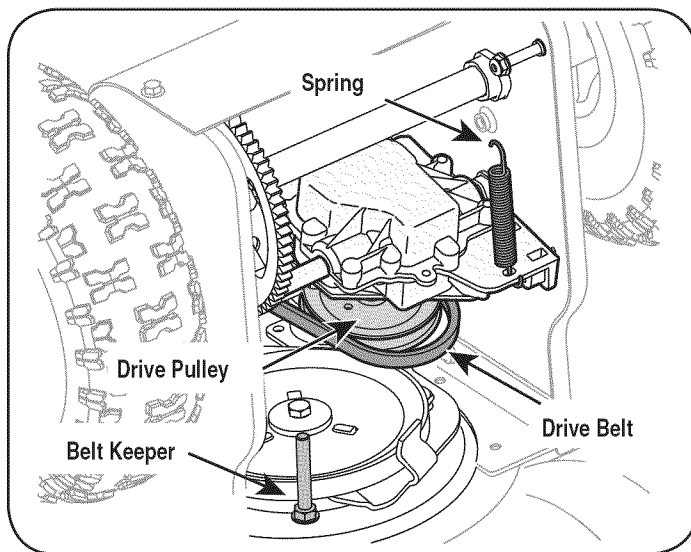


Figure 19

3. Pivot the transmission forward to release pressure on the drive belt. Remove belt from transmission pulley.
4. Remove the drive belt from around the engine pulley, and away from the unit.
5. Place the new drive belt into the groove on the engine pulley. See Figure 18.
6. Tilt the transmission forward and position the drive belt onto the transmission pulley.
7. Reconnect the spring to the bolt on the engine frame and secure the transmission. Reinstall the flange lock nut.
8. Install new auger belt.
9. Reassemble the belt cover on the snow thrower.
10. Reassemble the belt keeper to the housing.

Adjusting The Auger Cable

Refer to the Assembly section for instructions on adjusting the auger control cable.

OFF-SEASON STORAGE

If the snow thrower will not be used for 30 days or longer, or if it is the end of the snow season when the last possibility of snow is gone, the equipment needs to be stored properly. Follow storage instructions below to ensure top performance from the snow thrower for many more years.

PREPARING ENGINE

Engines stored over 30 days need to be drained of fuel to prevent deterioration and gum from forming in fuel system or on essential carburetor parts. If the gasoline in your engine deteriorates during storage, you may need to have the carburetor, and other fuel system components, serviced or replaced.

1. Remove all fuel from tank by running engine until it stops. Do not attempt to pour fuel from the engine.
 2. Change the engine oil.
 3. Remove spark plug and pour approximately 1 oz. (30 ml) of clean engine oil into the cylinder. Pull the recoil starter several times to distribute the oil, and reinstall the spark plug.
 4. Clean debris from around engine, and under, around, and behind muffler. Apply a light film of oil on any areas that are susceptible to rust.
- Store in a clean, dry and well ventilated area away from any appliance that operates with a flame or pilot light, such as a furnace, water heater, or clothes dryer. Avoid any area with a spark producing electric motor, or where power tools are operated.

WARNING

Never store snow thrower with fuel in tank indoors or in poorly ventilated areas, where fuel fumes may reach an open flame, spark or pilot light as on a furnace, water heater, clothes dryer or gas appliance.

- If possible, avoid storage areas with high humidity.
- Keep the engine level in storage. Tilting can cause fuel or oil leakage.

PREPARING SNOW THROWER

- When storing the snow thrower in an unventilated or metal storage shed, care should be taken to rustproof the equipment. Using a light oil or silicone, coat the equipment, especially any chains, springs, bearings and cables.
- Remove all dirt from exterior of engine and equipment.
- Follow lubrication recommendations.
- Store equipment in a clean, dry area.
- Inflate the tires to the maximum PSI. Refer to tire sidewall.

TROUBLESHOOTING

WARNING

Before performing any type of maintenance/service, disengage all controls and stop the engine. Wait until all moving parts have come to a complete stop. Remove the key to prevent unintended starting. Always wear safety glasses during operation or while performing any adjustments or repairs.

This section addresses minor service issues. To locate the nearest Sears Service Center or to schedule service, simply contact Sears at 1-800-4-MY-HOME®.

Problem	Cause	Remedy
Engine fails to start	<ol style="list-style-type: none"> 1. Choke control not in Choke position. 2. Spark plug wire disconnected. 3. Faulty spark plug. 4. Fuel tank empty or stale fuel. 5. Engine not primed. 6. Safety key not inserted. 7. Extension cord not connected (when using electric start button) 	<ol style="list-style-type: none"> 1. Move choke control to Choke position. 2. Connect wire to spark plug. 3. Clean, adjust gap, or replace. 4. Fill tank with clean, fresh gasoline. 5. Prime engine as instructed in the Operation Section. 6. Insert key fully into the switch. 7. Connect one end of the extension cord to the electric starter outlet and the other end to a three-prong 120-volt, grounded, AC outlet.
Engine running erratically/inconsistent RPM (hunting or surging)	<ol style="list-style-type: none"> 1. Engine running on choke. 2. Fuel line blocked, or stale fuel. 3. Water or dirt in fuel system. 4. Carburetor out of adjustment. 5. Over-governed engine 	<ol style="list-style-type: none"> 1. Move choke lever to RUN position. 2. Clean fuel line and fill tank with fresh, clean gasoline. 3. Run engine until it stops. Refill with fresh fuel. 4. Contact a Sears Service Center. 5. Contact a Sears Service Center.
Engine overheats	<ol style="list-style-type: none"> 1. Carburetor not adjusted properly. 	<ol style="list-style-type: none"> 1. Contact your Sears Parts & Repair Center.
Excessive vibration	<ol style="list-style-type: none"> 1. Loose parts or damaged auger. 	<ol style="list-style-type: none"> 1. Stop engine immediately and disconnect spark plug wire. Tighten all bolts and nuts. If vibration continues, have unit serviced by a Sears Parts & Repair Center.
Loss of power	<ol style="list-style-type: none"> 1. Spark plug wire loose. 2. Gas cap vent hole plugged. 	<ol style="list-style-type: none"> 1. Connect and tighten spark plug wire. 2. Remove ice and snow from gas cap. Be certain vent hole is clear.
Unit fails to propel itself	<ol style="list-style-type: none"> 1. Drive cable in need of adjustment. 2. Drive belt loose or damaged. 	<ol style="list-style-type: none"> 1. Adjust drive control cable. Refer to Service and Maintenance section. 2. Replace drive belt. Refer to Service & Maint. section.
Unit fails to discharge snow	<ol style="list-style-type: none"> 1. Chute assembly clogged. 2. Foreign object lodged in auger. 3. Auger cable in need of adjustment. 4. Auger belt loose or damaged. 5. Shear pin(s) sheared. 	<ol style="list-style-type: none"> 1. Stop engine immediately and disconnect spark plug wire. Clean chute assembly and inside of auger housing with clean-out tool or a stick. 2. Stop engine immediately and disconnect spark plug wire. Remove object from auger with clean-out tool or a stick. 3. Adjust auger control cable. Refer to Assembly section. 4. Replace auger belt. Refer to Service and Maintenance section. 5. Replace with new shear pin(s).

NEED MORE HELP?

You'll find the answer and more on managemylife.com – for free!

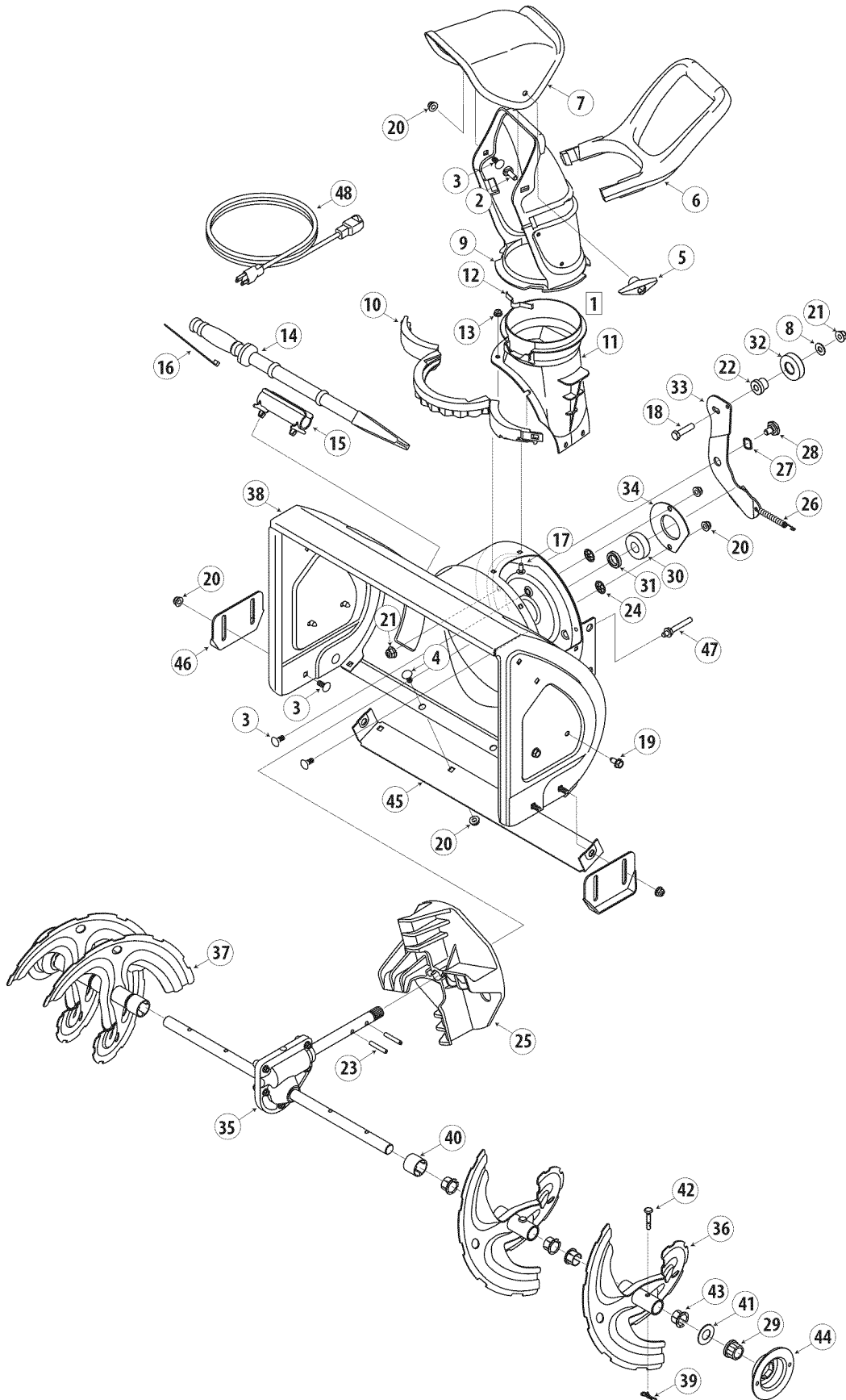
- Find this and all your other product manuals online.
- Get answers from our team of home experts.
- Get a personalized maintenance plan for your home.
- Find information and tools to help with home projects.



brought to you by Sears

PARTS LIST

Craftsman Snow Thrower Model 247.881700



PARTS LIST

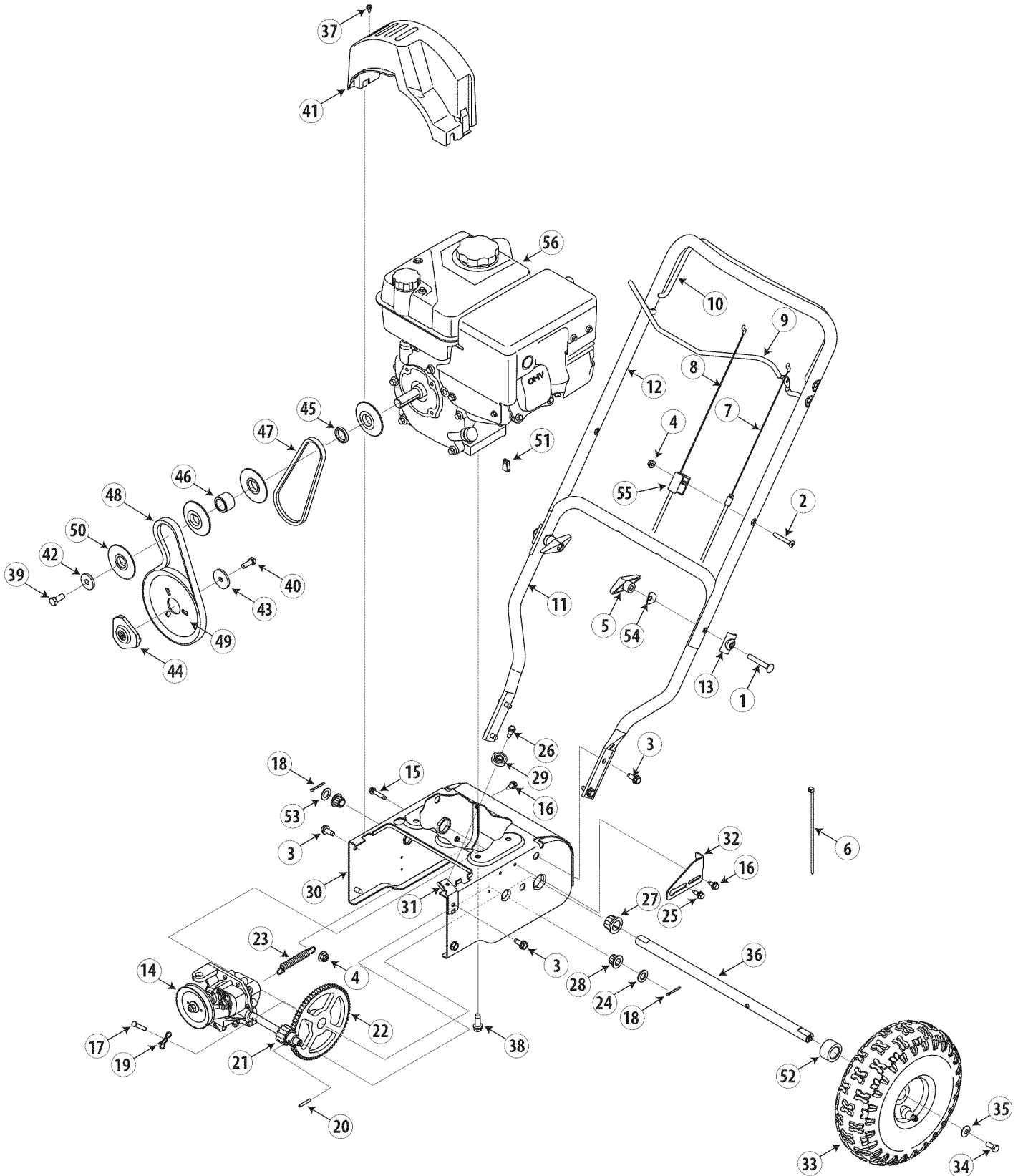
Craftsman Snow Thrower Model 247.881700

Ref.	Part No.	Description
1	984-04037	Chute Assembly
2	710-04071	Carriage Bolt 5/16-18 x 1.0"
3	710-0451	Carriage Bolt 5/16-18
4	710-0260A	Carriage Bolt 5/16-18 x .62
5	720-04072A	Wing Knob 5/16-18
6	731-04388A	Chute Handle
7	731-04426A	Upper Chute
8	936-0267	Flat Washer .385 x .87 x .06
9	931-04127	Lower Chute
10	931-04353	Chute Ring
11	931-2636A	Chute Adapter 5" Dia.
12	932-04111	Chute Adjustment Spring
13	712-04064	Flange Lock Nut 1/4-20
14	931-2643	Clean-out Tool
15	731-2635	Clean-out Tool Mount
16	725-0157	Cable Tie
17	710-0134	Carriage Screw 1/4-20 x 0.62"
18	710-0520	Hex Bolt 3/8-16 x 1.50"
19	710-04484	AB Screw 5/16-18 x .750
20	712-04063	Flange Lock Nut, 5/16-18
21	712-04065	Flange Lock Nut, 3/8-16
22	750-04852	Shoulder Spacer
23	715-04020	Spiral Pin
24	926-04012	Push On Nut

Ref.	Part No.	Description
25	731-04218B	Impeller
26	932-0611	Extension Spring
27	736-0174	Wave Washer
28	938-0281	Shoulder Screw 3/8-16
29	941-0245	Hex Flange Bearing
30	941-0309	Ball Bearing
31	950-04191	Spacer
32	684-04358	Flat Idler
33	784-0434-0637	Auger Idler Bracket
34	790-00075	Bearing Housing
35	918-04292B	Auger Gearbox Assembly
36	684-04113A-0637	Auger Assembly - LH
37	684-04114A-0637	Auger Assembly - RH
38	684-04166A-4043	Auger Housing, 22"
39	714-04040	Bow Tie Cotter Pin 72
40	731-04870	Spacer, 1.25 x .75 x 1.00
41	936-0351	Flat Washer
42	738-04124A	Shear Pin, .25 x 1.50
43	741-0493A	Flange Bushing
44	790-00087A-0637	Hex Bearing Housing
45	790-00117-0637	Shave Plate 2.25 x 21.66 LG
46	784-5580-4043	Skid Shoe
47	710-04606A	Belt Keeper
48	929-0071A	Extension Cord

PARTS LIST

Craftsman Snow Thrower Model 247.881700



PARTS LIST

Craftsman Snow Thrower Model 247.881700

Ref.	Part No.	Description
1	710-0572	Carriage Screw 5/16-18 x 2.25
2	710-0605	Mach. Screw 1/4-20 x 1.825
3	710-04484	Screw 5/16-18 x .75
4	712-04064	Flange Lock Nut 1/4-20
5	720-04072A	Wing Knob 5/16-18
6	725-0157	Cable Tie
7	946-04642	Drive Cable
8	946-04640	Auger Cable
9	747-04394A-0637	Auger Control
10	747-04405-0637	Drive Control
11	749-04147	Lower Handle
12	749-04495-0637	Upper Handle
13	990-00053	Handle Tab
14	918-04296B	Transmission Assembly
15	710-0809	TT Screw 1/4-20 x 1.25
16	710-1652	Screw 1/4-20 x .625
17	711-1364	Clevis Pin
18	914-0115	Cotter Pin 1/8 x 1.0
19	714-04040	Bow Tie Cotter Pin 72
20	915-0249	Roll Pin
21	717-04066A	Pinion 14T
22	917-04073A	Gear 70T
23	932-0429A	Extension Spring
24	936-0192	Flat Washer
25	738-04184A	Shoulder Screw 1/4-20
26	738-0924A	Shoulder Screw 1/4-28
27	941-0245	Hex Flange Bearing
28	741-04108	Hex Flange Bearing
29	756-0625	Cable Roller


Ref.	Part No.	Description
30	784-0419C-4043	Drive Housing Frame
31	790-00223A-0637	Auger Cable Bracket
32	790-00224	Auger Cable Adj. Bracket
33	934-04282B	Wheel Assy Snow Hog Gray
	734-04322	Tube, Tire, 4.10/3.50-4.0
34	710-0627	Lock Bolt 5/16-24 x .75
35	736-0242	Bell Washer .34 x .872 x .06
36	738-04321	Axle
37	910-0224	Hex Screw #10-16 x .500
38	710-0654A	TT Sems Screw 3/8-16 x 1.0
39	710-0696	Hex Bolt 3/8-24 x .875
40	710-1245B	Lock Bolt 5/16-24 x .875
41	931-04162A	Belt Cover
42	736-0247	Flat Washer .406 ID x 1.25 OD
43	736-0505	Flat Washer .34 ID x 1.50 OD
44	748-04067A	Pulley: Adapter .75 Dia.
45	950-1355	Spacer .876 x 1.25 x .19
46	950-1356	Spacer .876 x 1.25 x .86
47	954-04013	V-Belt 3/8 x 21.108 Lg.
48	954-04014	V-Belt 3/8 x 26.680 Lg.
49	956-04024	Auger Pulley
50	756-0569	Pulley Half
51	729-04035	Amp Sealed Connector
52	731-05672A	Spacer
53	936-0160	Flat Washer .53 x .93 x .05
54	936-0451	Saddle Washer
55	731-06749	Cable Clip
56	952Z265-SUA	Engine

PARTS LIST

Craftsman Snow Thrower Model 247.881700

777S32636


CLEAN-OUT TOOL



⚠ DANGER

1. KEEP AWAY FROM ROTATING IMPELLER AND AUGER. CONTACT WITH IMPELLER OR AUGER CAN AMPUTATE HANDS AND FEET.
2. USE CLEAN-OUT TOOL TO UNCLOG DISCHARGE CHUTE.
3. DISENGAGE CLUTCH LEVERS, STOP ENGINE, AND REMAIN BEHIND HANDLES UNTIL ALL MOVING PARTS HAVE STOPPED BEFORE UNCLOGGING OR SERVICING MACHINE.
4. TO AVOID THROWN OBJECTS INJURIES, NEVER DIRECT DISCHARGE AT BYSTANDERS. USE EXTRA CAUTION WHEN OPERATING ON GRAVEL SURFACES.
5. READ OPERATOR'S MANUAL.


⚠ DANGER



AVOID INJURY FROM ROTATING AUGER - KEEP HANDS, FEET AND CLOTHING AWAY.

777X43688

DO NOT USE E85 OR FUEL CONTAINING MORE THAN 10% ETHANOL



TO AVOID ENGINE DAMAGE

777I22164

777S32236

⚠ DANGER



- NEVER PUT HAND IN CHUTE. CONTACT WITH ROTATING PARTS CAN AMPUTATE FINGERS AND HANDS.
- SHUT OFF ENGINE AND WAIT UNTIL ALL MOVING PARTS HAVE STOPPED BEFORE UNCLOGGING.
- USE CLEAN-OUT TOOL OR WOODEN STICK TO UNCLOG DISCHARGE CHUTE.

777I23249

STARTING INSTRUCTIONS:

- 1.) INSERT KEY AND SNAP IN PLACE.
- 2.) MOVE THROTTLE CONTROL TO THE "FAST" POSITION.
- 3.) MOVE CHOKE CONTROL TO THE "CHOKE" POSITION. PUSH PRIMER 3x.
- 4.) ROPE START: PULL SLOWLY UNTIL HARDER TO PULL, THEN PULL RAPIDLY TO START. REPEAT PRIMING IF NEEDED.
ELECTRIC START: DO NOT USE IN RAIN. CONNECT POWER CORD AND PUSH STARTER BUTTON. REPEAT PRIMING IF NEEDED.
- 5.) MOVE CHOKE CONTROL SLOWLY TO THE "RUN" POSITION.
- 6.) TO STOP ENGINE: MOVE THROTTLE TO THE "STOP" POSITION.



I22164 AC

777I22138

FOR TURNING, NOT LIFTING



777D16343

CRAFTSMAN

OVERHEAD VALVE
179 cc

777D16340

CRAFTSMAN

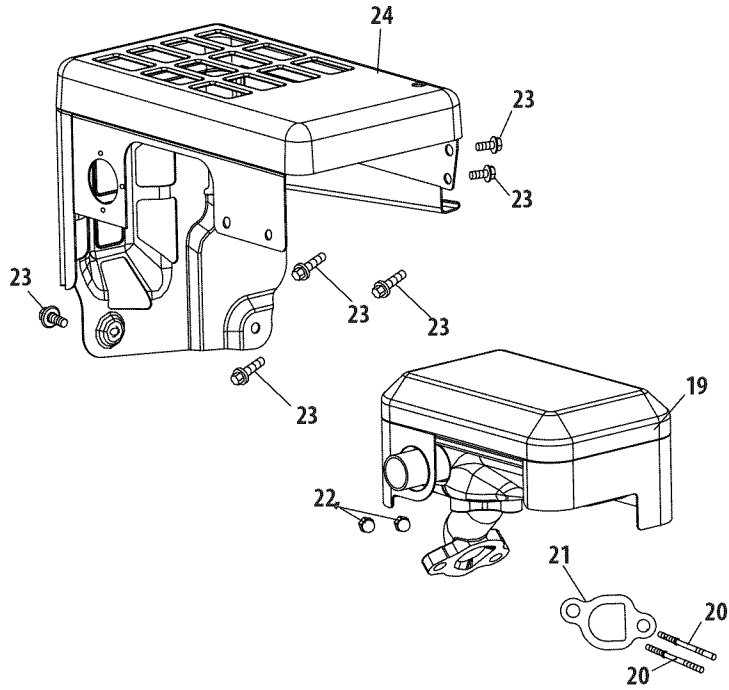
777D18033

CRAFTSMAN

22^{HP}
ELECTRIC START

PARTS LIST

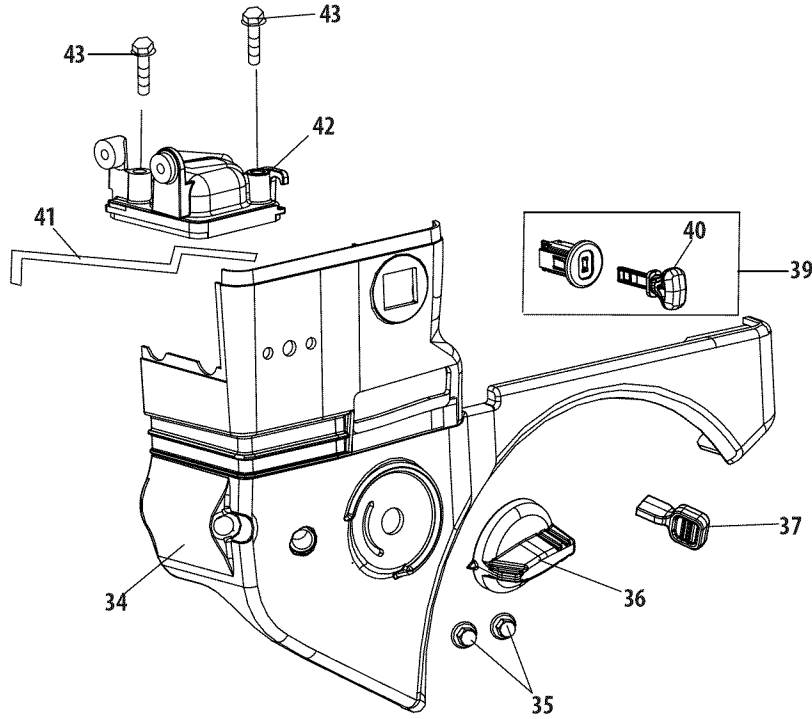
Craftsman Engine Model 265-SUA For Snow Model 247.881720



Ref.	Part No.	Description
19	951-11282	Muffler Assembly
20	710-05001	Stud M8×36
20	751-14190	Muffler Stud Kit
21	951-11289	Exhaust Pipe Gasket
22	712-04214	Nut, M8
23	710-04915	Bolt M6×12
24	951-10642B	Muffler Shield

PARTS LIST

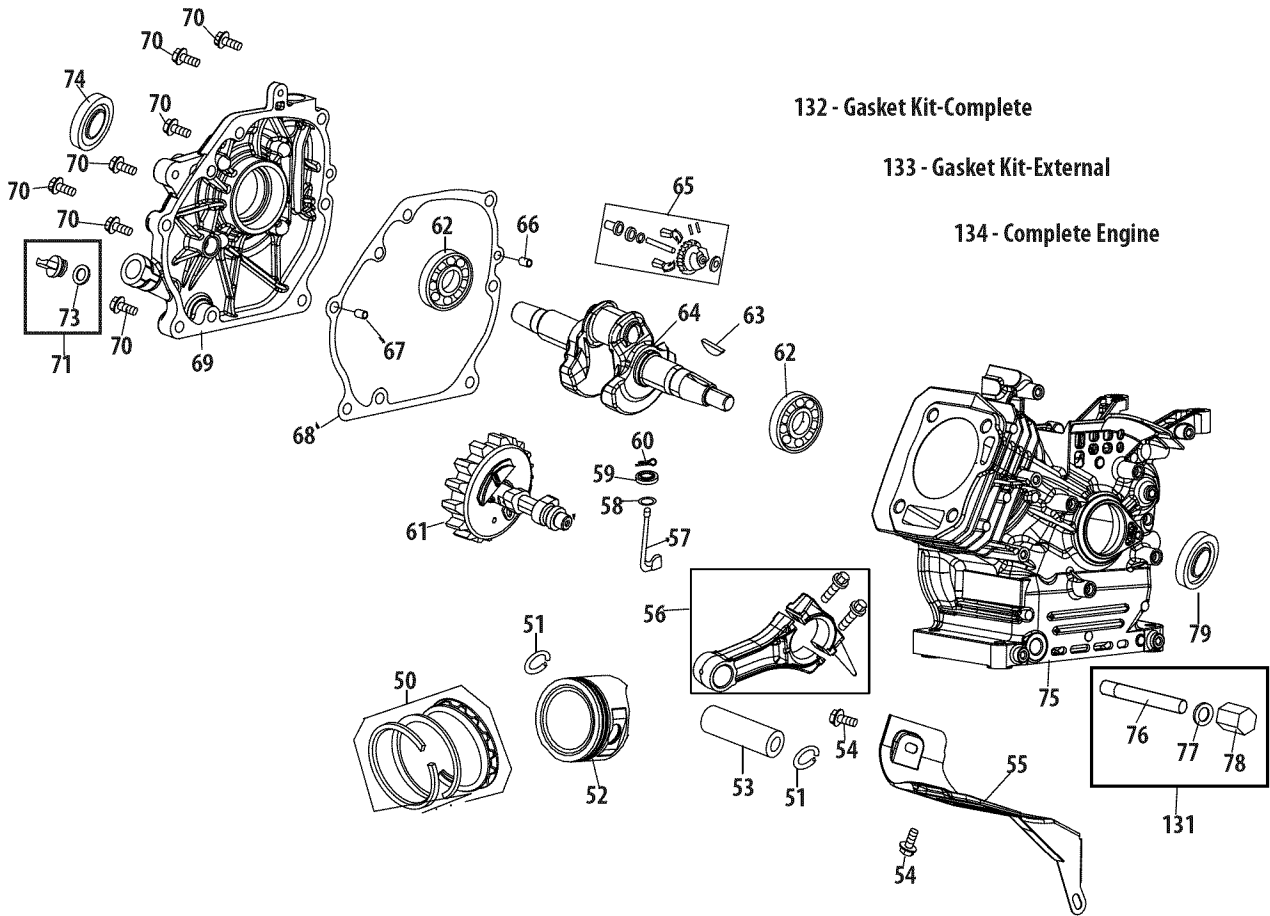
Craftsman Engine Model 265-SUA For Snow Model 247.881720



Ref.	Part No.	Description
34	951-10634	Air Cleaner Housing
35	712-04213	Nut
36	951-11284	Choke Knob
37	951-10757	Throttle Control Knob
39	951-10637	Key Switch
40	731-05632	Key
41	951-10640	Choke Push Rod
42	951-10635	Heater Box
43	710-04943	Bolt M6x28

PARTS LIST

Craftsman Engine Model 265-SUA For Snow Model 247.881720



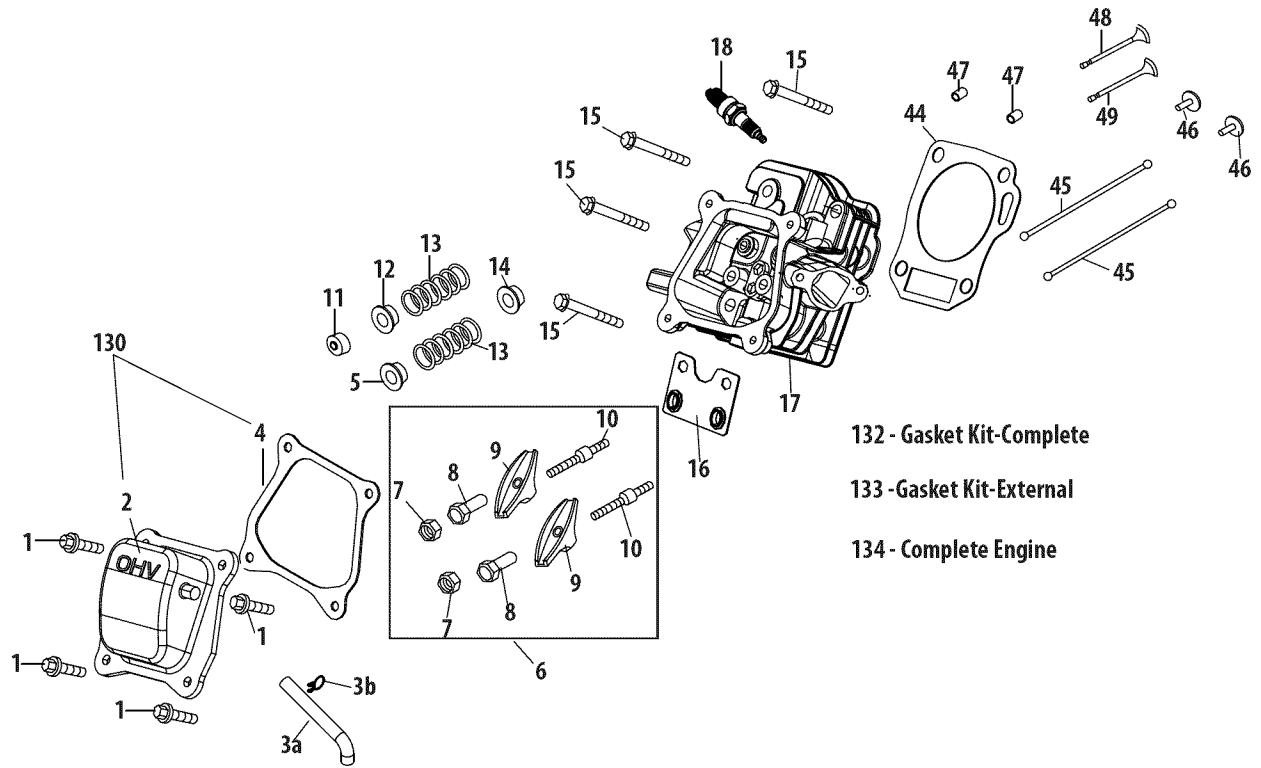
PARTS LIST

Craftsman Engine Model 265-SUA For Snow Model 247.881720

Ref.	Part No.	Description	Ref.	Part No.	Description
50	951-11688	Piston Ring Set	70	710-04932	Bolt M8x32
51	951-11632	Piston Pin Snap Ring	71	951-11283	Oil Fill Plug Assembly
52	951-11900	Piston	73	951-11577	O-Ring 15.8x2.5
53	951-11901	Piston Pin	74	951-11368	Oil Seal, 25x41.25x6
54	710-04915	Bolt M6x12	75	951-11248A	Crankcase Kit
55	951-11113	Air Shield			(Incl.59,62,74,75,79)
56	951-11573	Connecting Rod Assembly		951-11062B	Short Block Assembly
57	951-14053	Governor Arm Shaft			(Incl. 4,21,27-29,32,44,
58	736-04461	Washer 5.2x1.9			46,47,80-53,56-79)
59	951-11902	Governor Seal	76	951-11350	Oil Drain Pipe Assy.
60	714-04078	Cotter Pin	77	736-04440	Washer 10x16x1.5
61	951-11575	Camshaft Assembly	78	710-04906	Oil Drain Plug
62	951-11369	Radial Ball Bearing, 6205	79	951-11370	Oil Seal 25x41.25x6
63	951-10307	Woodruff Key	131	951-10641	Oil Drain Assembly
64	951-11247A	Crankshaft Kit	132	951-11061A	Gasket Kit - Complete
		(Incl.62-64,74,79)			(Incl.4,21,27-29,32,44,
65	951-11576	Governor Gear/Shaft Assembly			58,59,68,74,77,79)
66	715-04092	Dowel Pin 7x14	133	951-10661B	Gasket Kit - External
67	715-04096	Dowel Pin 9x14			(Incl. 4,21,27-29,32,77)
68	951-11371	Crankcase Cover Gasket	134	952Z265-SUA	Complete Engine
69	951-12125	Crankcase Cover			
	951-11246	Crankcase Cover Kit			
		(Incl. 62,68-74)			

PARTS LIST

Craftsman Engine Model 265-SUA For Snow Model 247.881720



132 - Gasket Kit-Complete

133 - Gasket Kit-External

134 - Complete Engine

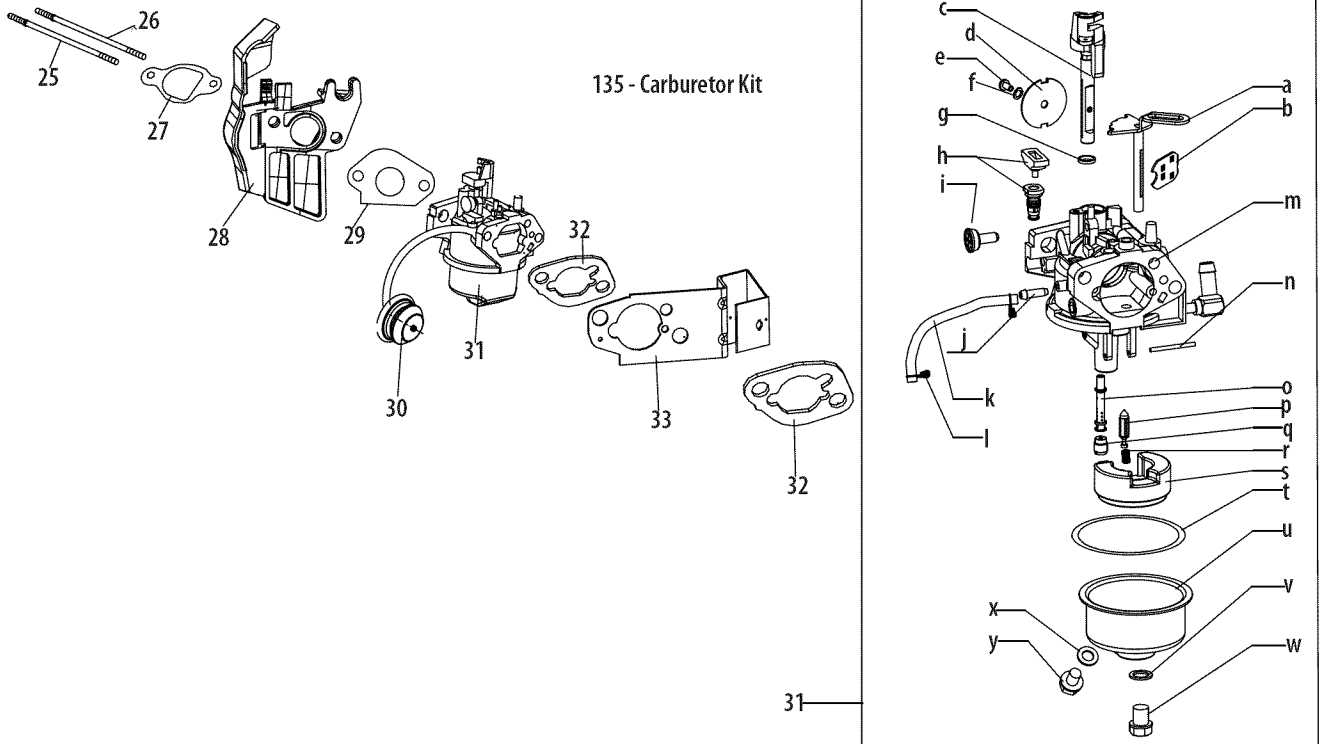
PARTS LIST

Craftsman Engine Model 265-SUA For Snow Model 247.881720

Ref.	Part No.	Description
1	710-04968	Bolt M6x16
2	951-11054A	Valve Cover
3a	731-07059	Breather Hose
3b	726-04101	Breather Hose Clamp
4	951-11565	Valve Cover Gasket
5	951-12000	Valve Spring Retainer (Intake)
6	951-11892	Rocker Arm Assembly
7	751-11124	Nut, Pivot Locking
8	751-11123	Adjusting Nut ,Valve
9	951-11893	Rocker Arm
10	710-04902	Bolt, Pivot
11	951-12002	Exhaust Lash Cap
12	951-12003	Valve Spring Retainer (Exhaust)
13	951-12004	Valve Spring
14	951-11894	Valve Seal (Intake)
15	710-04933	Bolt M8x55
16	951-11895	Push Rod Guide
17	751-14195	Cylinder Head Assembly (Incl.4-14,16,17,21,27, 29,44,48,49)
18	951-10292	Spark Plug/F6Rtc
44	951-11898	Gasket, Cylinder Head
45	951-10648	Push Rod Kit
46	951-11899	Tappet
47	715-04108	Dowel Pin 10x16
48	951-10647A	Valve Kit
49	951-10647A	Valve Kit
130	951-12626	Valve Cover Kit
132	951-11061A	Gasket Kit - Complete (Incl.4,21,27-29,32,44, 58,59,68,74,77,79)
133	951-10661B	Gasket Kit - External (Incl. 4,21,27-29,32,77)
134	952Z265-SUA	Complete Engine

PARTS LIST

Craftsman Engine Model 265-SUA For Snow Model 247.881720



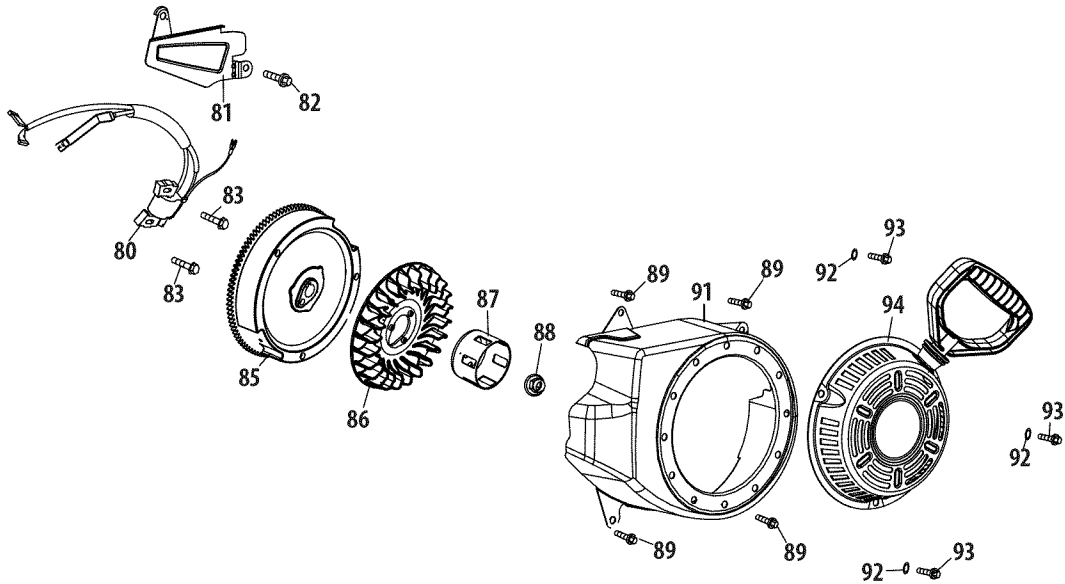
PARTS LIST

Craftsman Engine Model 265-SUA For Snow Model 247.881720

Ref.	Part No.	Description
25	710-04939	Stud M6x117
26	710-04910	Stud M6x105
27	951-11567	Carburetor Insulator Gasket
28	951-11896	Carburetor Insulator
29	951-11569A	Carburetor Gasket
30	951-10639A	Primer Assembly
30	951-11824	Primer Bulb
31	951-12705	Carburetor Assembly
32	951-11897	Carburetor Gasket Plate
33	951-11112	Choke Control
135	951-14050	Carburetor Kit (Incl.h,n,o,p,q,r,s,t,v,x)
a	n/a	Choke Shaft
b	n/a	Choke Plate
c	n/a	Throttle Shaft
d	n/a	Throttle Plate
e	710-05469	Screw M3x6
f	736-04638	Lock Washer
g	n/a	Gasket, Throttle Plate
h	n/a	Idle Jet Assembly (0.34)
i	n/a	Idle Speed Adjusting Screw
j	n/a	Primer Pipe
k	951-11699	Primer Hose
l	951-11906	Hose Clamp
m	n/a	Carburetor Body
n	n/a	Float Pin
o	n/a	Emulsion Tube (P18-019)
p	951-12875	Needle Valve
q	n/a	Main Jet (#73)
r	n/a	Needle Valve Spring
s	n/a	Float
t	951-11589	Fuel Bowl O-Ring
u	n/a	Fuel Bowl
v	951-11348	Fuel Bowl Mounting Bolt Gasket
w	710-04945	Fuel Bowl Mounting Bolt
x	951-11349	Fuel Bowl Drain Bolt Gasket
y	710-04938	Fuel Bowl Drain Bolt

PARTS LIST

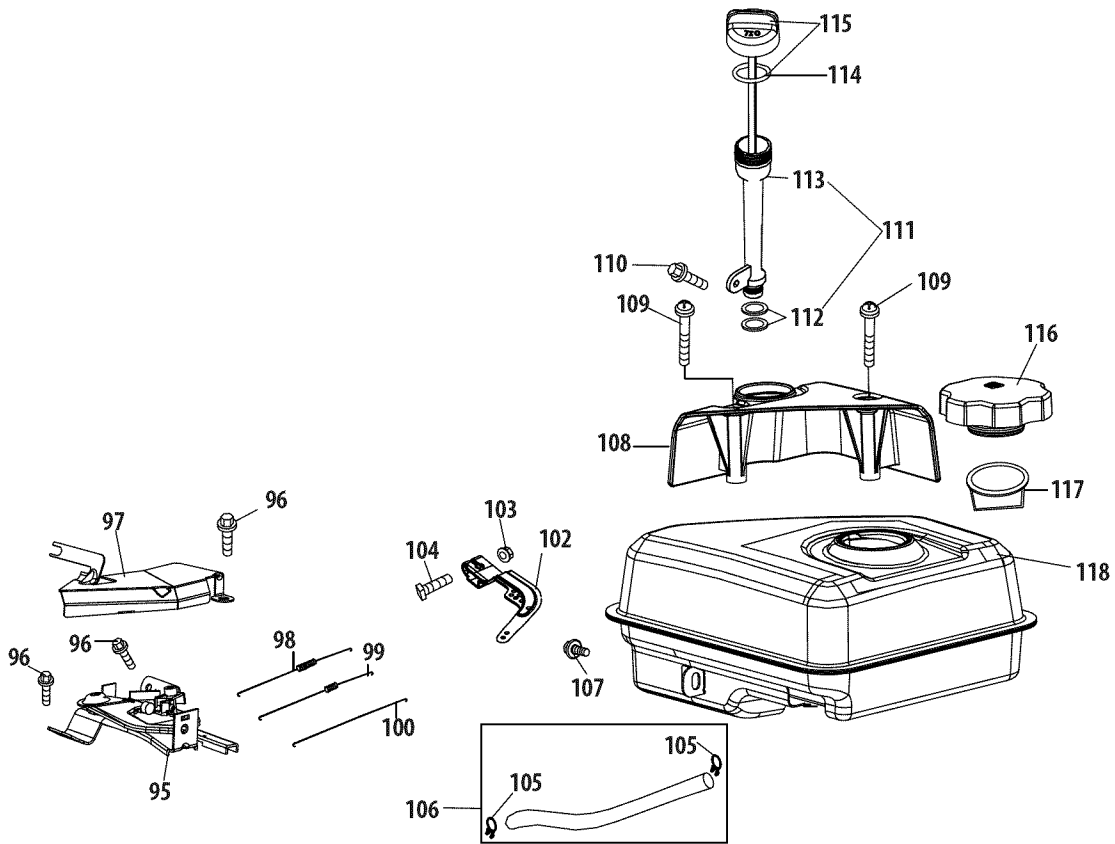
Craftsman Engine Model 265-SUA For Snow Model 247.881720



Ref.	Part No.	Description
80	951-10646	Ignition Coil Assembly
81	951-11110	Air Flow Shield
82	710-04940	Bolt M6x10
83	710-04919	Bolt M6x25
85	951-12416	Flywheel
86	951-10934	Cooling Fan
87	951-10911	Starter Cup
88	712-04209	Nut, Special, M14x1.5
89	710-04915	Bolt M6x12
91	951-10663A	Blower Housing
92	736-04455	Gasket 6
93	710-04974	Bolt M6x10
94	951-14151	Recoil Starter

PARTS LIST

Craftsman Engine Model 265-SUA For Snow Model 247.881720

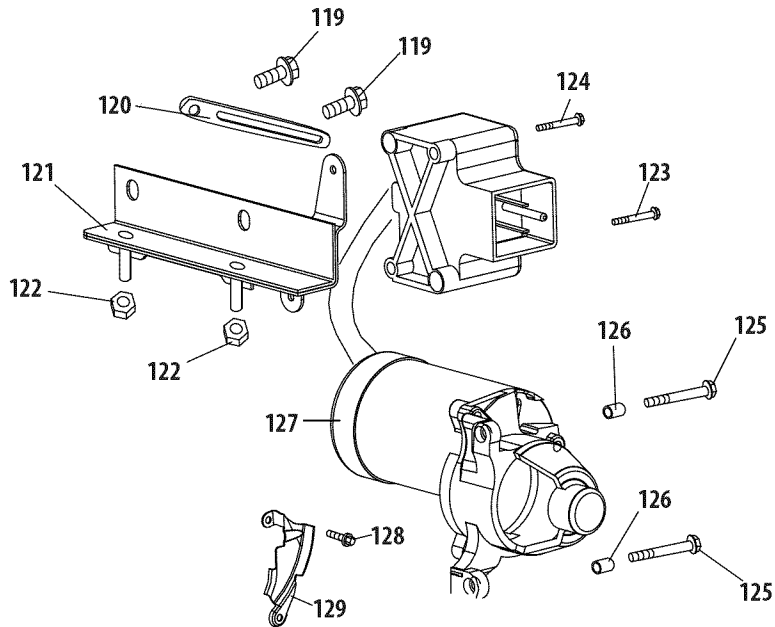


Ref.	Part No.	Description
95	951-10758	Primer Bracket
96	710-05103	Bolt M6x12
97	951-11108	Governor System Shield
98	951-11935	Governor Spring
99	951-10664	Throttle Linkage Spring
100	951-10665	Throttle Linkage
102	951-11106	Governor Arm
103	712-04212	Nut M6
104	710-04908	Governor Arm Bolt
105	951-11700	Fuel Hose Clamp
106	951-10650	Fuel Line Kit
107	710-04915	Bolt M6x12

Ref.	Part No.	Description
108	951-11914	Dipstick Decoration Cover
109	710-04905	Bolt
110	710-04915	Bolt M6x12
111	951-11913	Oil Fill Tube Assembly
112	951-11381	O-Ring
113	951-10656	Oil Fill Tube
114	951-11904	O-Ring
115	951-12482	Dipstick Assembly
116	951-12533	Fuel Cap Assembly
117	951-11933	Fuel Level Indicator
118	951-10653B	Fuel Tank Assembly

PARTS LIST

Craftsman Engine Model 265-SUA For Snow Model 247.881720



Ref.	Part No.	Description
119	710-04914	Bolt M6x10
120	951-11680	Wire Clip
121	951-11114	Switch Housing Mounting Bracket
122	712-05015	Nut, M6
123	710-04935	Bolt M4x60
124	710-04965	Bolt M4x55
125	710-05182	Bolt M6x32
126	715-04088	Dowel Pin 8x8
127	951-10645A	Electric Starter
128	710-04915	Bolt M6x12
129	951-11109	Blower Housing Shield

NOTES

NOTES

**MTD CONSUMER GROUP INC (MTD), the California Air Resources Board (CARB)
and the United States Environment Protection Agency (U. S. EPA)**

**Emission Control System Warranty Statement
(Owner's Defect Warranty Rights and Obligations)**

EMISSION CONTROL SYSTEM COVERAGE IS APPLICABLE TO CERTIFIED ENGINES PURCHASED IN CALIFORNIA IN 2005 AND THEREAFTER, WHICH ARE USED IN CALIFORNIA, AND TO CERTIFIED MODEL YEAR 2005 AND LATER ENGINES WHICH ARE PURCHASED AND USED ELSEWHERE IN THE UNITED STATES.

California and elsewhere in the United States Emission Control Defects Warranty Coverage

The California Air Resources Board (CARB), U. S. EPA and MTD are pleased to explain the emissions control system warranty on your model year 2006 and later small off-road engine. In California, new small off-road engines must be designed, built and equipped to meet the States anti-smog standards. Elsewhere in the United States, new non-road, spark-ignition engines certified for model 2005 and later, must meet similar standards set forth by the U. S. EPA. MTD must warranty the emission control system on your engine for the period of time listed below, provided there has been no abuse, neglect or improper maintenance of your small off-road engine.

Your emission control system may include parts such as the carburetor, fuel-injection system, the ignition system, and catalytic converter, fuel tanks, fuel lines, fuel caps, valves, canisters, filters, vapor hoses, clamps, connectors, and other associated emission-related components.

Where a warrantable condition exists, MTD will repair your small off-road engine at no cost to you including diagnosis, parts and labor.

MANUFACTURER'S WARRANTY COVERAGE:

This emissions control system is warranted for two years. If any emission-related part on your engine is defective, the part will be repaired or replaced by MTD.

OWNER'S WARRANTY RESPONSIBILITIES:

As the small off-road engine owner, you are responsible for the performance of the required maintenance listed in your Owner's Manual. MTD recommends that you retain all your receipts covering maintenances on your small off-road engine, but MTD can not deny warranty solely for the lack of receipts or for your failure to ensure the performance to all scheduled maintenance.

As the small off-road engine owner, you should however be aware that MTD may deny your warranty coverage if your small off-road engine or part has failed due to abuse, neglect, improper maintenance or unapproved modifications.

You are responsible for presenting your small off-road engine to an Authorized MTD Service Dealer as soon as a problem exists. The warranted repairs should be completed in a reasonable amount of time, not to exceed 30 days.

If you have any questions regarding your warranty rights and responsibilities, you should contact a MTD Service Representative at 1-800-800-7310 and address is MTD CONSUMER GROUP, P.O. Box 361131, Cleveland OH, 44136-0019.

DEFECTS WARRANTY REQUIREMENTS FOR 1995 AND LATER SMALL OFF-ROAD ENGINES:

This section applies to 1995 and later small off-road engines. The warranty period begins on the date the engine or equipment is delivered to an ultimate purchaser.

(a) General Emissions Warranty Coverage

MTD must warrant to the ultimate purchaser and each subsequent purchaser that the engine is:

- (1) Designed, built, and equipped so as to conform with all applicable regulations adopted by the Air Resources Board pursuant to its authority in Chapters 1 and 2, Part 5, Division 26 of the Health and Safety Code; and
- (2) Free from defects in materials and workmanship that cause the failure of a warranted part to be identical in all material respects to the part as described in the engine manufacturer's application for certification for a period of two years.

(b) The warranty on emissions-related parts will be interpreted as follows:

- (1) Any warranted part that is not scheduled for replacement as required maintenance in the written instructions required by Subsection (c) must be warranted for the warranty period defined in Subsection (a)(2). If any such part fails during the period of warranty coverage, it must be repaired or replaced by MTD according to Subsection (4) below. Any such part repaired or replaced under the warranty must be warranted for the remaining warranty period.
- (2) Any warranted part that is scheduled only for regular inspection in the written instructions required by Subsection (c) must be warranted for the warranty period defined in Subsection (a)(2). A statement in such written instructions to the effect of "repair or replace as necessary" will not reduce the period of warranty coverage. Any such part repaired or replaced under warranty must be warranted for the remaining warranty period.
- (3) Any warranted part that which is scheduled for replacement as required maintenance in the written instructions required by Subsection (c) must be warranted for the period of time prior to the first scheduled replacement point for that part. If the part fails prior to the first scheduled replacement, the part must be repaired or replaced by MTD according to Subsection (4) below. Any such part repaired or replaced under warranty must be warranted for the remainder of the period prior to the first scheduled replacement point for the part.
- (4) Repair or replacement of any warranted part under the warranty provisions of this article must be performed at no charge to the owner at a warranty station.
- (5) Notwithstanding the provisions of Subsection (4) above, warranty services or repairs must be provided at all MTD distribution centers that are franchised to service the subject engines.

(6) The owner must not be charged for diagnostic labor that leads to the determination that a warranted part is in fact defective, provided that such diagnostic work is performed at a warranty station.

(7) The engine manufacturer is liable for damages to other engine components proximately caused by a failure under warranty of any warranted part.

(8) Throughout the engine's warranty period defined in Subsection (a)(2), MTD will maintain a supply of warranted parts sufficient to meet the expected demand for such parts.

(9) Any replacement part may be used in the performance of any warranty maintenance or repairs and must be provided without charge to the owner. Such use will not reduce the warranty obligations of MTD.

(10) Add-on or modified parts that are not exempted by the Air Resources Board may not be used. The use of any non-exempted add-on or modified parts shall be grounds for disallowing a warranty claim made in accordance with this article. The engine manufacturer shall not be liable under this article to warrant failures of warranted parts caused by the use of non-exempted add-on or modified part.

(c) MTD will include a copy of the following emission warranty parts list with each new engine, using those portions of the list applicable to the engine.

(1) Fuel Metering System

- Cold start enrichment system (soft choke)
- Carburetor and internal parts
- Fuel Pump
- Fuel Tank

(2) Air Induction System

- Air cleaner
- Intake manifold

(3) Ignition System

- Spark plug(s)
- Magneto Ignition System

(4) Exhaust System

- Catalytic converter
- SAI (Reed valve)

(5) Miscellaneous Items Used in Above System

- Vacuum, temperature, position, time sensitive valves and switches
- Connectors and assemblies

(6) Evaporative control

- Fuel Hose certified for ARB evaporative emission of 2006.
- Fuel Hose Clamps
- Tethered fuel cap
- Carbon canister
- Vapor lines

Look For Relevant Emissions Durability Period and Air Index Information On Your Engine Emissions Label

Engines that are certified to meet the California Air Resources Board (CARB) Tier 2 Emission Standards must display information regarding the Emissions Durability Period and the Air Index. Sears Brands Management Corporation makes this information available to the consumer on our emission labels.

The Emissions Durability Period describes the number of hours of actual running time for which the engine is certified to be emissions compliant, assuming proper maintenance in accordance with the Operating & Maintenance Instructions. The following categories are used:

Moderate: Engine is certified to be emission compliant for 125 hours of actual engine running time.

Intermediate: Engine is certified to be emission compliant for 250 hours of actual engine running time.

Extended: Engine is certified to be emission compliant for 500 hours of actual engine running time.

For example, a typical walk-behind lawn mower is used 20 to 25 hours per year. Therefore, the **Emissions Durability Period** of an engine with an **intermediate** rating would equate to 10 to 12 years.

The **Air Index** is a calculated number describing the relative level of emissions for a specific engine family. The lower the **Air Index**, the cleaner the engine. This information is displayed in graphical form on the emissions label.

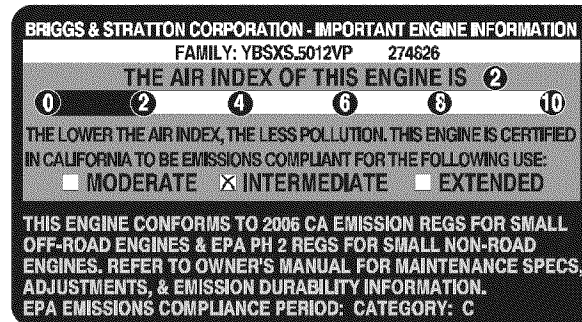
After July 1, 2000, Look For Emissions Compliance Period On Engine Emissions Compliance Label

After July 1, 2000 certain Sears Brands Management Corporation engines will be certified to meet the United States Environmental Protection Agency (USEPA) Phase 2 emission standards. For Phase 2 certified engines, the Emissions Compliance Period referred to on the Emissions Compliance label indicates the number of operating hours for which the engine has been shown to meet Federal emission requirements.

For engines less than 225 cc displacement, Category C = 125 hours, B = 250 hours and A = 500 hours.

For engines of 225 cc or more, Category C = 250 hours, B = 500 hours and A = 1000 hours.

This is a generic representation of the emission label typically found on a certified engine.



REPAIR PROTECTION AGREEMENT

Congratulations on making a smart purchase. Your new Craftsman® product is designed and manufactured for years of dependable operation. But like all products, it may require repair from time to time. That's when having a Repair Protection Agreement can save you money and aggravation.

Here's what the Repair Protection Agreement* includes:

- ☑ **Expert service** by our 10,000 professional repair specialists
- ☑ **Unlimited service and no charge** for parts and labor on all covered repairs
- ☑ **Product replacement** up to \$1500 if your covered product can't be fixed
- ☑ **Discount of 25%** from regular price of service and related installed parts not covered by the agreement; also, 25% off regular price of preventive maintenance check
- ☑ **Fast help by phone** – we call it Rapid Resolution – phone support from a Sears representative. Think of us as a “talking owner's manual.”

Once you purchase the Repair Protection Agreement, a simple phone call is all that it takes for you to schedule service. You can call anytime day or night, or schedule a service appointment online.

The Repair Protection Agreement is a risk-free purchase. If you cancel for any reason during the product warranty period, we will provide a full refund. Or, a prorated refund anytime after the product warranty period expires. Purchase your Repair Protection Agreement today!

Some limitations and exclusions apply. For prices and additional information in the U.S.A. call 1-800-827-6655.

***Coverage in Canada varies on some items. For full details call Sears Canada at 1-800-361-6665.**

Sears Installation Service

For Sears professional installation of home appliances, garage door openers, water heaters, and other major home items, in the U.S.A. or Canada call **1-800-4-MY-HOME®**.

ÍNDICE

Declaración de garantía	Página 44
Prácticas operación seguras.....	Página 45
Montaje.....	Página 49
Operación.....	Página 53
Servicio y Mantenimiento	Página 57
Almacenamiento fuera de temporada.....	Página 62

Solución de problemas.....	Página 63
Lista de piezas.....	Página 22
Acuerdo de protección para reparaciones....	Página 67
Número de servicio.....	Última página

DECLARACIÓN DE GARANTÍA

GARANTÍA COMPLETA CRAFTSMAN POR DOS AÑOS

POR DOS AÑOS a partir de la fecha de la compra, este producto está garantizado por defectos en los materiales y la mano de obra. Los productos defectuosos serán reparados sin costo o reemplazados sin costo si la reparación no está disponible.

La presente garantía se anula si se utiliza este producto alguna vez para prestar servicios comerciales o si se lo alquila a otra persona.

Para obtener información sobre el alcance de la garantía y solicitar la reparación o el reemplazo, visite el sitio Web: www.craftsman.com

Esta garantía cubre ÚNICAMENTE los defectos en los materiales y en la mano de obra. Esta garantía NO cubre:

- Elementos no renovables que pueden desgastarse por el uso normal, durante el plazo de la garantía, incluyendo entre otros, las barrenas, las paletas de las barrenas, los cortadores de desplazamiento, las zapatas antideslizantes, la placa de raspado, los pasadores de cuchilla, la bujía, el filtro de aire, las correas y el filtro de aceite.
- Servicios de mantenimiento estándar, cambios de aceite o afinación.
- Cambio de neumáticos o reparaciones por pinchaduras con objetos externos como clavos, espinas, tocones o vidrios.
- Reemplazo o reparación de neumáticos o ruedas como resultado del desgaste normal, un accidente, o funcionamiento o mantenimiento incorrectos.
- Reparaciones requeridas como resultado del uso inadecuado por parte del operador, incluyendo entre otros el daño ocasionado por objetos que impactan la máquina y que tuercen el bastidor, el eje de la barrena, etc., o debido a que el motor fue acelerado en exceso.
- Reparaciones necesarias debido a negligencia del operador, incluyendo entre otros, daños mecánico y eléctrico ocasionado por un almacenamiento no apropiado, falla por el uso de aceite de grado y/o cantidad no apropiados o falla por no dar mantenimiento al equipo de acuerdo con las instrucciones contenidas en el manual del operador.
- Limpieza o reparaciones del motor (sistema de combustible) debidas a combustible que se determina está contaminado u oxidado (viejo). En general, el combustible debe utilizarse en un período no mayor de 30 días a partir de su adquisición.
- El deterioro y desgaste normal de los acabados exteriores, o reemplazo de la etiqueta del producto.

Esta garantía le otorga derechos legales específicos, pero usted podría gozar de otros derechos en razón de su lugar de residencia.

Sears Brands Management Corporation, Hoffman Estates, IL 60179

ESPECIFICACIONES DEL PRODUCTO

Tipo de aceite del motor:	5W-30
Capacidad de aceite del motor:	20 onzas
Capacidad de combustible:	2.3 cuartos
Bujías:	F6RTC (F6TC)
Separación de las bujías:	.020" to .030"

NÚMERO DE MODELO

Número de modelo

Número de serie

Fecha de compra

Registre arriba el número del modelo, el número de serie y la fecha de compra

INSTRUCCIONES DE SEGURIDAD

⚠ ADVERTENCIA

La presencia de este símbolo indica que se trata de instrucciones importantes de seguridad que se deben respetar para evitar poner en peligro su seguridad personal y/o material y la de otras personas. Lea y siga todas las instrucciones de este manual antes de poner en funcionamiento esta máquina. Si no respeta estas instrucciones podría provocar lesiones personales. Cuando vea este símbolo, ¡preste atención a la advertencia!

⚠ ADVERTENCIA

PROPOSICIÓN 65 DE CALIFORNIA

El escape del motor de este producto, algunos de sus componentes y algunos componentes del vehículo contienen o liberan sustancias químicas que el estado de California considera que pueden producir cáncer, defectos de nacimiento u otros problemas reproductivos.

⚠ PELIGRO

Esta máquina fue construida para ser operada de acuerdo con las reglas de seguridad contenidas en este manual. Al igual que con cualquier tipo de equipo motorizado, un descuido o error por parte del operador puede producir lesiones graves. Esta máquina es capaz de amputar manos y pies y de arrojar objetos con gran fuerza. De no respetar las instrucciones de seguridad siguientes se pueden producir lesiones graves o la muerte.

⚠ ADVERTENCIA

Su responsabilidad—Restrinja el uso de esta máquina motorizada a las personas que lean, comprendan y respeten las advertencias e instrucciones que aparecen en este manual y en la máquina.

¡GUARDE ESTAS INSTRUCCIONES!

CAPACITACIÓN

- Lea, entienda y cumpla todas las instrucciones incluidas en la máquina y en los manuales antes de montarla y utilizarla. Guarde este manual en un lugar seguro para consultas futuras y periódicas, así como para solicitar repuestos.
- Lea el Manual del Operador y siga todas las advertencias e instrucciones de seguridad. El fracaso de hacer así puede causar la herida seria al operador y/o personas presentes.
- Familiarícese con todos los controles y con el uso adecuado de los mismos. Sepa cómo detener la máquina y desactivar los controles rápidamente.
- No permita nunca que los niños menores de 14 años utilicen esta máquina. Los niños de 14 años en adelante deben leer y entender las instrucciones de operación y normas de seguridad contenidas en este manual, y en la máquina y deben ser entrenados y supervisados por un adulto.
- Nunca permita que los adultos operen esta máquina sin recibir antes la instrucción apropiada.
- Los objetos arrojados por la máquina pueden producir lesiones graves. Planifique el patrón en el que va a ir arrojando nieve para evitar que la descarga de material se realice hacia los caminos, los observadores, etc.
- Mantenga a los observadores, ayudantes, mascotas y niños por lo menos a 75 pies de la máquina mientras la misma está en funcionamiento. Detenga la máquina si alguien se acerca.
- Sea precavido para evitar patinarse o caerse especialmente cuando opera la máquina en reversa.

PREPARATIVOS

Inspeccione minuciosamente el área donde utilizará el equipo. Saque todos los felpudos, periódicos, trineos, tablas, cables y otros objetos extraños con los que podría tropezar o que podrían ser arrojados por la barrena / impulsor.

- Para protegerse los ojos utilice siempre anteojos o antiparras de seguridad mientras opera la máquina o mientras la ajusta o repara. Los objetos arrojados que rebotan pueden producir lesiones oculares graves.
- No opere la máquina sin la vestimenta adecuada para estar al aire libre en invierno. No utilice alhajas, bufandas largas u otras prendas sueltas que podrían enredarse en las partes móviles. Utilice un calzado especial para superficies resbaladizas.
- Use un prolongador y un tomacorriente de tres cables con conexión a tierra para todas las máquinas con motores de encendido eléctrico.
- Ajuste la altura de la caja del tomacorriente para limpiar la grava o las superficies con piedras trituradas.
- Desengrane todas las palancas de control antes de arrancar el motor.
- Nunca intente realizar ajustes mientras el motor está en marcha excepto en los casos específicamente recomendados en el manual del operador.
- Deje que el motor y la máquina se adapten a la temperatura exterior antes de comenzar a sacar la nieve.

INSTRUCCIONES DE SEGURIDAD

Manejo seguro de la gasolina

Para evitar lesiones personales o daños materiales tenga mucho cuidado cuando trabaje con gasolina. La gasolina es sumamente inflamable y sus vapores pueden causar explosiones. Si se derrama gasolina encima o sobre la ropa se puede lesionar gravemente ya que se puede incendiar. Lávese la piel y cámbiese de ropa de inmediato.

- Utilice sólo los recipientes para gasolina autorizados.
- Apague todos los cigarrillos, cigarros, pipas y otras fuentes de combustión.
- Nunca cargue combustible en la máquina en un espacio cerrado.
- Nunca saque la tapa del combustible ni agregue combustible mientras el motor está caliente o en marcha.
- Deje que el motor se enfríe por lo menos dos minutos antes de volver a cargar combustible.
- Nunca llene en exceso el depósito de combustible. Llene el tanque a no más de ½ pulgada por debajo de la base del cuello de llenado dejando espacio para la dilatación del combustible.
- Vuelva a colocar la tapa de la gasolina y ajústela bien.
- Limpie el combustible que se haya derramado sobre el motor y el equipo. Traslade la máquina a otra zona. Espere 5 minutos antes de encender el motor.
- Nunca almacene la máquina o el recipiente de combustible en un espacio cerrado donde haya fuego, chispas o luz piloto (por ejemplo, hornos, calentadores de agua, calefactores, secadores de ropa, etc.).
- Deje que la máquina se enfríe por lo menos 5 minutos antes de guardarla.
- Nunca llene los recipientes en el interior de un vehículo o camión o caja de remolque con recubrimientos plásticos. Coloque siempre los recipientes en el piso y lejos del vehículo antes de llenarlos.
- Si es posible, retire el equipo a gasolina del camión o remolque y llénelo en el suelo. Si esto no es posible, llene el equipo en un remolque con contenedor portátil, en vez de desde una boquilla dispensadora de gasolina.
- Mantenga la boquilla dispensadora en contacto con el borde del depósito de combustible o con la abertura del recipiente en todo momento, hasta terminar la carga. No utilice un dispositivo de apertura/cierre de boquilla.

FUNCIONAMIENTO

- No ponga las manos o los pies cerca de las piezas rotatorias, en la caja de la barrena / impulsor o en el montaje del canal de descarga. Hacer contacto con piezas giratorias puede resultar en la amputación de manos o pies.
- La palanca de control de la barrena / impulsor es un dispositivo de seguridad. Nunca evite su funcionamiento. De hacerlo la operación de la máquina es riesgosa y puede ocasionar lesiones.
- Las palancas de control deben funcionar bien en ambas direcciones y regresar automáticamente a la posición de desengrane cuando se las suelta.

- Nunca opere la máquina si falta un montaje del canal o si el mismo está dañado. Mantenga todos los dispositivos de seguridad en su lugar y en funcionamiento.
- Nunca encienda el motor en espacios cerrados o en una zona con poca ventilación. El escape del motor contiene monóxido de carbono, un gas inodoro y letal.
- No utilice la máquina bajo la influencia del alcohol o las drogas.
- El silenciador y el motor se calientan y pueden causar quemaduras. No los toque. Mantenga a los niños alejados.
- Sea sumamente precavido cuando opere la máquina sobre una superficie con grava o cuando la cruce. Manténgase alerta por si se presentan peligros ocultos o tránsito.
- Tenga cuidado cuando cambie de dirección o cuando opere la máquina en pendientes. No use la máquina en pendientes pronunciadas.
- Planifique el patrón en el que va a ir arrojando nieve para evitar que la descarga de material se produzca hacia las ventanas, las paredes, los automóviles, etc. y evitar así posibles daños materiales o lesiones producidas por los rebotes.
- Nunca dirija la descarga hacia los niños, los observadores o las mascotas ni deje que nadie se pare delante de la máquina.
- No sobrecargue la capacidad de la máquina tratando de sacar la nieve muy rápidamente.
- Nunca opere esta máquina sin buena visibilidad o iluminación. Siempre debe estar seguro de que está bien afirmado y sujetando firmemente las manijas. Camine, nunca corra.
- Corte la corriente a la barrena / impulsor cuando transporte la máquina o cuando la misma no está en uso.
- Nunca opere la máquina a alta velocidad de desplazamiento sobre superficies resbaladizas. Mire hacia abajo y hacia atrás y tenga cuidado cuando vaya marcha atrás.
- Si la máquina comenzara a vibrar de manera anormal, detenga el motor, desconecte el cable de la bujía y póngala de manera que haga masa contra el motor. Inspeccione la máquina minuciosamente para ver si está dañada. Repare todos los daños antes de encender y operar la máquina.
- Desengrane todas las palancas de control y detenga el motor antes de dejar la posición de operación (detrás de las manijas). Espere a que la barrena / impulsor se detenga por completo antes de destapar el montaje del canal o realizar ajustes e inspecciones.
- Nunca ponga las manos en las aberturas de descarga o de recolección. Utilice siempre la herramienta de limpieza que se adjunta para destapar la abertura de descarga. No destape el montaje del canal mientras el motor está en funcionamiento. Antes de destaparlo, apague el motor y permanezca detrás de las manijas hasta que todas las partes móviles se hayan detenido.
- Use sólo uniones y accesorios aprobados por el fabricante (por ejemplo, pesas para las ruedas, cadenas para los neumáticos, cabinas, etc.). Para obtener más información acerca de estos temas, llame al 1-800-469-4663.

INSTRUCCIONES DE SEGURIDAD

- Para encender el motor, jale de la cuerda lentamente hasta que sienta resistencia, luego jale rápidamente. El repliegue rápido de la cuerda de arranque (tensión de retroceso) le jalará la mano y el brazo hacia el motor más rápido de lo que usted puede soltar. El resultado pueden ser huesos rotos, fracturas, hematomas o esguinces.
- Si se presentan situaciones que no están previstas en este manual, sea cuidadoso y use el sentido común.
- Para pedir repuestos o servicio horario para este producto, llame a 1-800-469-4663.

MANTENIMIENTO Y ALMACENAMIENTO

- Nunca altere los dispositivos de seguridad. Controle periódicamente que funcionen correctamente. Remítase a las secciones de mantenimiento y ajuste de este manual.
- Antes de realizar la limpieza, reparar o revisar la máquina, desengrane todas las palancas de control y detenga el motor. Espere a que la barrena / impulsor se detenga por completo. Desconecte el cable de la bujía y póngalo haciendo masa contra el motor para evitar que se encienda accidentalmente.
- Controle frecuentemente que todos los pernos y tornillos estén bien ajustados para comprobar que la máquina se encuentra en condiciones seguras de funcionamiento. Además, haga una inspección visual de la máquina para verificar si está dañada.
- No cambie la configuración del regulador del motor ni acelere demasiado el mismo. El regulador del motor controla la velocidad máxima segura de funcionamiento del motor.
- Las placas de raspado y las zapatas antideslizantes que se usan con la máquina quitanieve se desgastan y se dañan. Para proteger su seguridad, verifique frecuentemente todos los componentes y reemplácelos sólo con partes de los fabricantes de equipos originales (OEM). ¡El uso de piezas que no cumplen con las especificaciones del equipo original puede resultar en rendimiento inadecuado además de poner en riesgo la seguridad!
- Revise las palancas de control periódicamente para verificar que engranen y desengranen adecuadamente y ajústelos si es necesario. Consulte la sección de ajustes de este manual del operador para obtener instrucciones.
- Mantenga o reemplace las etiquetas de seguridad e instrucciones según sea necesario.
- Respete las normas referentes a la disposición correcta y las reglamentaciones sobre gasolina, aceite, etc. para proteger el medio ambiente.
- Antes de almacenar la máquina enciéndala unos minutos para sacar la nieve que haya quedado en la misma y para evitar así que se congele la barrena / impulsor.

- Según la Comisión de Seguridad de Productos para el Consumidor de los Estados Unidos (CPSC) y la Agencia de Protección Ambiental de los Estados Unidos (EPA), este producto tiene una vida útil media de siete (7) años, ó 60 horas de funcionamiento. Al finalizar la vida útil media, adquiera una máquina nueva o haga inspeccionar anualmente ésta por un distribuidor de servicio autorizado para cerciorarse de que todos los sistemas mecánicos y de seguridad funcionan correctamente y no tienen excesivo desgaste. Si no lo hace, pueden producirse accidentes, lesiones o muerte
- Nunca almacene la máquina o el recipiente de combustible en un espacio cerrado donde haya fuego, chispas o luz piloto como por ejemplo, calentadores de agua, hornos, secadores de ropa, etc.
- Consulte siempre el manual del operador para obtener instrucciones adecuadas para el almacenamiento fuera de temporada. Verifique frecuentemente la línea de combustible, el tanque, el tapón, y los accesorios buscando rajaduras o pérdidas. Reemplace de ser necesario.
- No dé arranque al motor si no está la bujía de encendido.

NO MODIFIQUE EL MOTOR

Para evitar lesiones graves o la muerte, no modifique el motor bajo ninguna circunstancia. Si cambia la configuración del regulador el motor puede descontrolarse y operar a velocidades inseguras. Nunca cambie la configuración de fábrica del regulador del motor.

AVISO REFERIDO A EMISIONES

Los motores que están certificados y cumplen con las regulaciones de emisiones federales EPA y de California para SORE (Equipos pequeños todo terreno) están certificados para operar con gasolina común sin plomo y pueden incluir los siguientes sistemas de control de emisiones: Modificación de motor (EM) y catalizador de tres vías (TWC) si están equipados de esa manera.

GUARDACHISPAS

⚠ ADVERTENCIA

Esta máquina está equipada con un motor de combustión interna y no debe ser utilizada en o cerca de un terreno agreste cubierto por bosque, malezas o hierba excepto si el sistema de escape del motor está equipado con un amortiguador de chispas que cumpla con las leyes locales o estatales correspondientes, en caso de haberlas.

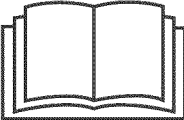







Si se utiliza un amortiguador de chispas el operador lo debe mantener en condiciones de uso adecuadas. En el Estado de California las medidas anteriormente mencionadas son exigidas por ley (Artículo 4442 del Código de Recursos Públicos de California). Es posible que existan leyes similares en otros estados. Las leyes federales se aplican en territorios federales.

Puede conseguir el amortiguador de chispas para el silenciador a través de su distribuidor autorizado de motores o poniéndose en contacto con el departamento de servicios.

INSTRUCCIONES DE SEGURIDAD

SÍMBOLOS DE SEGURIDAD

Esta página describe los símbolos y figuras de seguridad internacionales que pueden aparecer en este producto. Lea el manual del operador para obtener la información terminada sobre seguridad, reunirse, operación y mantenimiento y reparación.

Símbolo	Descripción
	<p>LEA EL MANUAL DEL OPERADOR (S)</p> <p>Lea, entienda, y siga todas las instrucciones en el manual (es) antes de intentar reunirse y funcionar.</p>
	<p>LA ADVERTENCIA — PLATOS ROTATORIOS</p> <p>Guarde manos de entrada y aperturas de la descarga mientras la máquina corre. Allí ellos hacen para girar platos dentro.</p>
	<p>LA ADVERTENCIA — LÁMINAS ROTATIVAS</p> <p>Guarde manos de entrada y aperturas de descarga mientras la máquina corre. Allí hacen girar láminas dentro.</p>
	<p>LA ADVERTENCIA — TALADRO ROTATIVO</p> <p>No ponga manos o pies cerca del giro de partes, en el alojamiento de taladro/aspas o asamblea de tolva. Contacto con las partes rotativas puede amputar manos y pies.</p>
	<p>OBJETOS LANZADOS POR ADVERTENCIA</p> <p>Esta máquina puede recoger y lanzar objetos que pueden causar la herida personal seria.</p>
	<p>GASOLINA DE ADVERTENCIA ES INFLAMABLE</p> <p>Permita que el motor se enfríe al menos dos minutos antes del reabastecimiento de combustible.</p>
	<p>ADVERTENCIA — MONÓXIDO DE CARBONO</p> <p>Nunca dirijas un motor dentro o en un área mal ventilada. Los gases de combustión de motor contienen el monóxido de carbono, un gas inodoro y mortal.</p>
	<p>ADVERTENCIA — ELECTROCHOQUE</p> <p>No use el juez de salida eléctrico del motor en la lluvia.</p>

MONTAJE

IMPORTANTE: Esta unidad se envía con el motor lleno de aceite. Después del montaje, consulte la página 10 para los detalles del combustible y el aceite.

Extracción de la unidad de la caja

1. Corte las esquinas de la caja de cartón y extienda los lados de manera que queden planos sobre el piso. Quite todos los separadores de empaque.
2. Saque la máquina quitanieve de la caja.
3. Asegúrese de vaciar completamente la caja antes de tirarla.

⚠ ADVERTENCIA

NO eleve le máquina quitanieve tomándola de la manija del canal.

Antes del montaje

NOTA: Las referencias que contiene este manual sobre los lados derecho o izquierdo de la máquina quitanieve se hacen observando la misma desde la posición de operación a menos que se indique lo contrario.

Configuración de la manija

NOTA: Tenga en cuenta las tres uniones de cable flojas que están unidas a la barra de control inferior y se utilizarán posteriormente para sujetar los cables.

1. Afloje la perilla de aletas, la arandela cóncava, la lengüeta de la barra de control y el tornillo del carro que están a ambos lados de la barra de control inferior y retirelos. Vea la Figure 1.
2. Deslice una de las uniones de cable flojas desde el lado derecho de la barra de control inferior hasta el travesaño de la misma. Deje la segunda unión de cable en su sitio a la derecha de la barra de control inferior. Vea la Figure 3 como referencia.

IMPORTANTE: Para evitar que se dañe el cable resultará necesario levantar la barra de control superior mientras se desliza esta unión de cable hacia arriba.

3. Eleve la barra de control superior y ubíquela sobre la barra inferior,

⚠ PRECAUCIÓN

Tenga cuidado de no doblar ni torcer los cables.

4. Inserte un tornillo de carro desde el exterior a través de una lengüeta de la barra de control, las barras superior e inferior, una arandela cóncava, y al interior de la perilla de aletas (2). Repita lo mismo en el otro lado.
5. Ajuste las perillas de aletas a cada lado de la barra de control. Consulte la Figure 2.

NOTA: El recorrido del cable de la barrena pasa por debajo de la barra de control inferior izquierda y el cable de transmisión pasa a través de la parte superior de la barra de control inferior y por debajo del lado derecho de la misma. Vea la Figure 3.

6. Dos cables de sujeción se han utilizado para atar sin apretar los cables de control de la manija inferior. Un clip de presión también se incluye en el cable de la unidad inferior. Posición de las ataduras de cables ahora, como en la figura. 3, y apriete para fijar los cables a la manija inferior. Recorte el exceso de material de las ataduras de cables. Instale el clip de presión en el orificio en el mango como el indicado en el recuadro a la izquierda en la Figure 3.

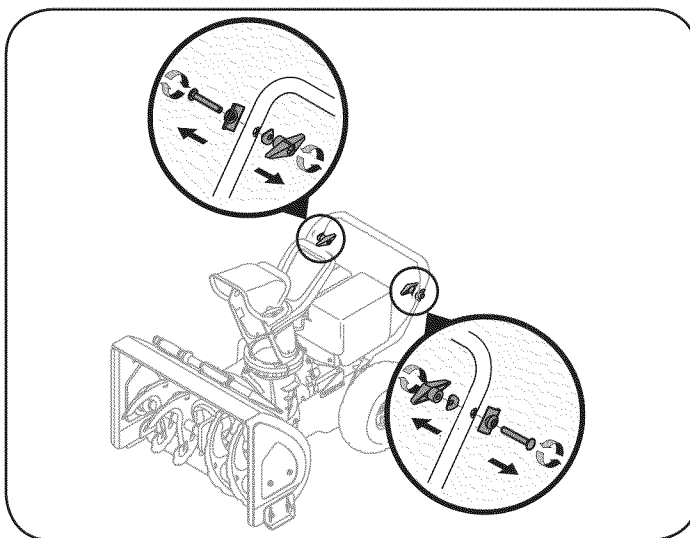


Figura 1

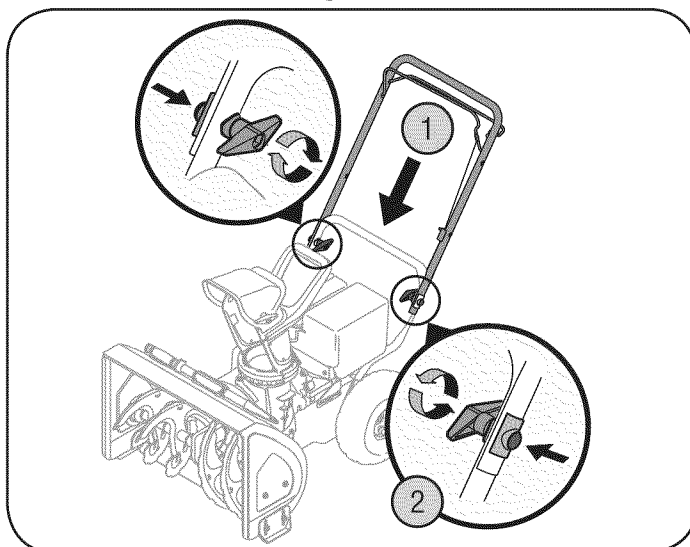


Figura 2

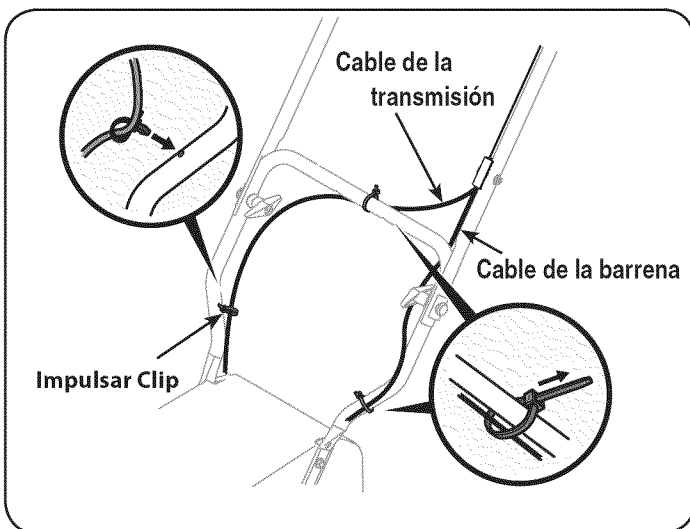


Figura 3

MONTAJE

Zapata antideslizante

Las zapatas antideslizantes de la máquina quitanieve se ajustan hacia arriba en fábrica, para el envío. Si lo desea, puede ajustarlas hacia abajo antes de hacer funcionar la máquina quitanieve.

⚠ PRECAUCIÓN

Se recomienda no operar esta máquina quitanieve sobre grava ya que la unidad puede recoger y lanzar grava suelta fácilmente, causando lesiones personales o daños a la máquina y los objetos que la rodean.

- Si desea quitar la nieve al ras en una superficie lisa, eleve a mayor altura las zapatas antideslizantes de la caja de la barrena para bajar rasurada plato.
- Use las posiciones intermedia o baja cuando la superficie que desee limpiar es despareja, por ejemplo en un camino de grava para levantar el plato de rasurada.

NOTA: Si decide usar la máquina quitanieve sobre una superficie de grava, mantenga las zapatas antideslizantes en la posición que permita lograr una separación máxima entre el suelo y la placa de raspado.

⚠ PRECAUCIÓN

Operar a un lanzador de nieve equipado con acero patina zapatos pueden tener como resultado daño a superficies de piedra naturales de paver (por ejemplo arenisca, bluestone, la piedra caliza). Para la información en el polímero disponible patina zapatos, la llamada 1-800-4MY-HOME.

Para ajustar las zapatas antideslizantes:

1. Afloje las cuatros tuercas hexagonales (dos a cada lado) y los pernos del carro. Mueva las zapatas antideslizantes a la posición deseada. Vea la Figure 4.

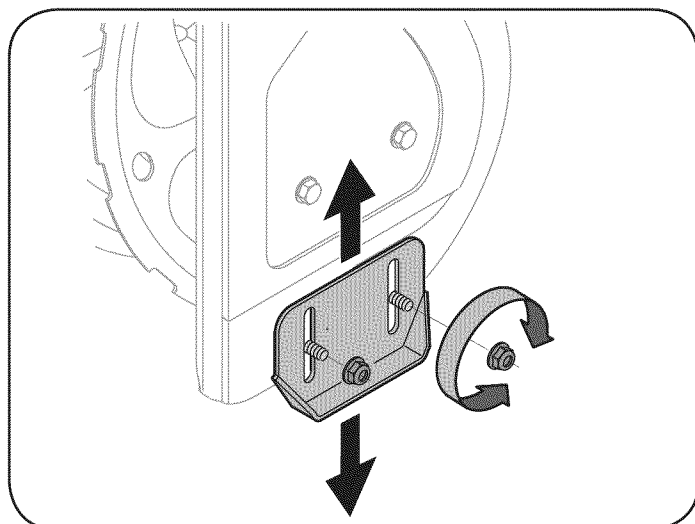
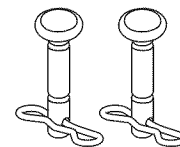


Figura 4

2. Compruebe que toda la superficie inferior de las zapatas antideslizantes está contra el suelo para evitar el desgaste desparejo de las mismas.
3. Vuelva a ajustar bien las tuercas y los pernos.

Pasadores de cuchilla

Su máquina quitanieve trae un par de pasadores de cuchilla de la barrena y pasadores de chaveta con unión curva de reemplazo. Almacénelos en un lugar seguro hasta que los necesite.



Herramienta de limpieza

La herramienta de limpieza del canal viene ajustada de fábrica a la parte superior de la caja de la barrena con un pasador de ensamblado y una unión de cable. Corte la unión de cable antes de operar la máquina quitanieve. Vea la Figure 5.

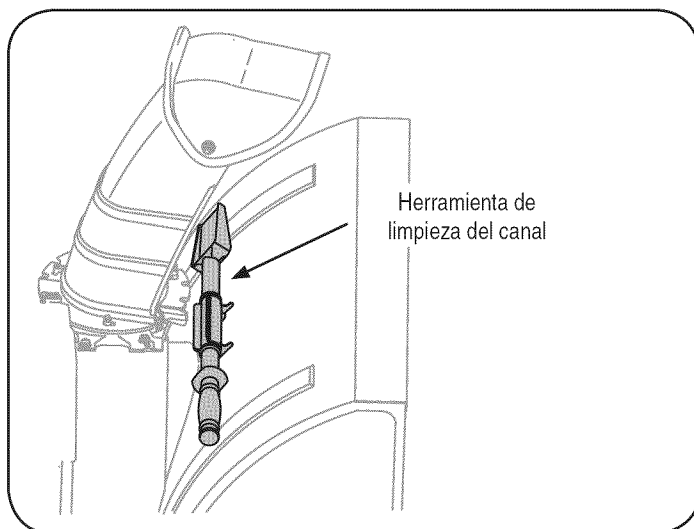


Figura 5

Presión de los neumáticos

La presión de inflado adecuada es de entre 15 psi y 20 psi. Verifique la presión de los neumáticos regularmente y mantenga siempre la misma presión en los dos neumáticos. Una presión excesiva (por encima de 20 psi) puede hacer que el conjunto de la rueda (neumático/llanta) explote con una fuerza suficiente como para causar lesiones graves. No infle demasiado el neumático. Utilice una bomba manual o un inflador de neumáticos eléctrico portátil para evitar inflarlo excesivamente. **NO USE NUNCA UN COMPRESOR DE AIRE**

⚠ ADVERTENCIA

El inflado excesivo de los neumáticos con una presión excesiva (por encima de 20 psi) puede hacer que el conjunto de la rueda (neumático/llanta) explote con una fuerza suficiente como para causar lesiones graves.

MONTAJE

Recomendaciones sobre el combustible

Utilice gasolina para automóviles (sin plomo o bajo contenido de plomo para minimizar los depósitos en la cámara de combustión) con un mínimo de 87 octanos. Se puede usar gasolina con hasta un 10% de etanol o un 15% de MTBE (éter metílico terciario-butílico). Nunca use una mezcla de aceite y gasolina ni gasolina sucia. Evite que se introduzca suciedad, polvo o agua en el depósito de combustible. NO utilice gasolina E85.

- Cargue combustible en un área bien ventilada y con el motor apagado. No fume ni permita llamas o chispas en el lugar donde se carga combustible o se almacena la gasolina.
- No llene en exceso el depósito de combustible. Después de cargar combustible, asegúrese de que el tapón del depósito esté bien cerrado y asegurado.
- Tenga cuidado de no derramar combustible al realizar la recarga. El combustible derramado o sus vapores se pueden incendiar. Si se derrama combustible, asegúrese de que el área esté seca antes de arrancar el motor.
- Evite el contacto repetido o prolongado con la piel o la inhalación de los vapores.

Carga de combustible

⚠ ADVERTENCIA

Tenga mucho cuidado al trabajar con gasolina. La gasolina es sumamente inflamable y sus vapores pueden causar explosiones. Nunca agregue combustible a la máquina en interiores ni mientras el motor está caliente o en funcionamiento. Apague cigarrillos, cigarros, pipas y otras fuentes de combustión.

⚠ ADVERTENCIA

Siempre mantenga las manos y los pies alejados de las piezas móviles del equipo. No utilice fluidos comprimidos para arrancar. Los vapores son inflamables.

1. Antes de sacar el tapón para cargar combustible, limpie alrededor.
2. En el depósito de combustible hay un indicador de nivel. Llene el depósito hasta llegar al nivel de combustible del indicador; vea la Figura 6. Tenga cuidado para no llenar el depósito en exceso.

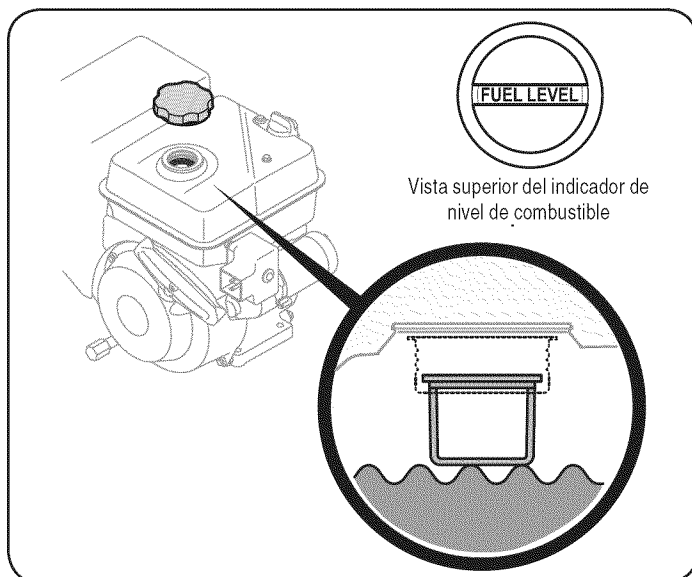


Figura 6

Verificación del nivel de aceite

⚠ PRECAUCIÓN

El motor se envía con aceite en el motor. Sin embargo, debe controlar el nivel de aceite antes de hacer funcionar la máquina quitanieve. Si se hace funcionar el motor sin suficiente aceite puede dañarse gravemente y se anula la garantía.

NOTA: Para comprobar el motor asegúrese de que esté apagado y sobre una superficie nivelada.

1. Retire el tapón de llenado de aceite/la varilla de medición y limpie la varilla de medición de aceite. Vea la Figura 7.

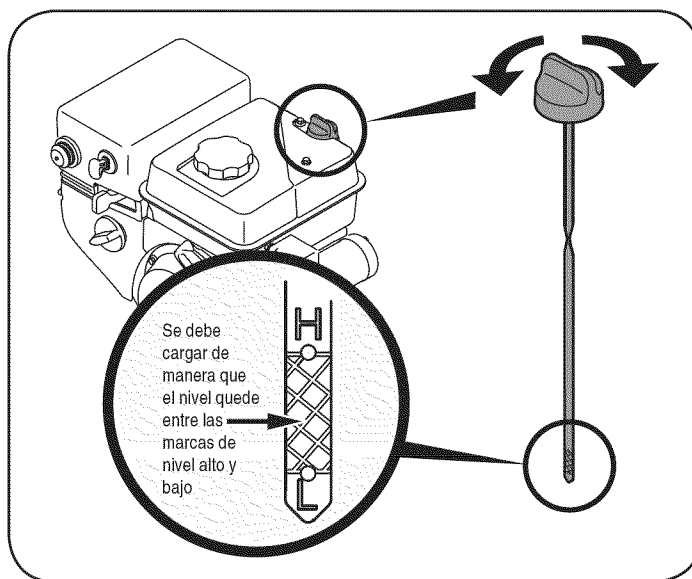


Figura 7

2. Inserte la tapa / varilla de medición en el cuello de llenado de aceite, gire la tapa 1 / 4 vuelta hasta que esté completamente asentada.
NOTA: En algunos motores, un tapón de rosca / varilla de medición pueden existir en lugar de una tapa de 1 / 4 vuelta como se describe anteriormente. En este caso no apretar la tapa para verificar el nivel de aceite. Simple resto de la PAC en las roscas para comprobar el nivel de aceite correcto.
3. Saque el tapón / la varilla de medición de aceite. Si el nivel es bajo, agregue aceite lentamente hasta que el registro marque entre nivel alto (H) y bajo (L), Figura 7. Consulte la sección Mantenimiento del motor para ver la viscosidad y capacidad de aceite del motor correctas.
NOTA: No lo llene en exceso. El llenado excesivo de aceite puede hacer que el motor genere humo, que cueste arrancarlo o que falle la bujía.
4. Vuelva a colocar el tapón / la varilla de medición de aceite bien ajustados antes de poner en marcha el motor.

MONTAJE

Canal de descarga

1. Afloje la perilla de aletas del canal superior, ajuste el canal y el control del canal a la posición de funcionamiento deseada.
2. Apriete la perilla de aletas del canal superior asegurándose de que el perno del carro se encuentre correctamente colocado. Consulte la Figura 8.

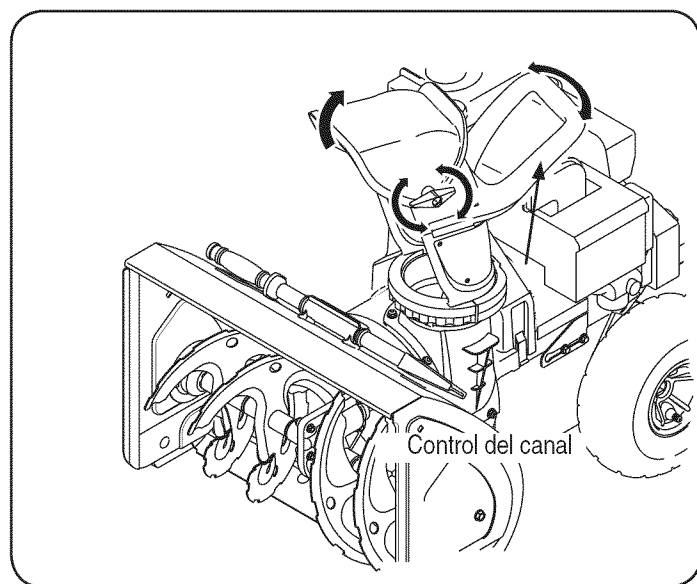


Figura 8

Prueba de control de la barrena



IMPORTANTE: Realice la prueba siguiente antes de operar la máquina quitanieve por primera vez y al principio de cada invierno.

Compruebe el ajuste del control de la barrena de la siguiente forma:

1. Cuando se suelta el control de la barrena y está en posición desengranada arriba, el cable debe tener muy poco juego, pero NO debe estar ajustado.

⚠ ADVERTENCIA

No ajuste demasiado el cable. El ajuste excesivo puede impedir que la barrena se desengrane y poner en peligro la seguridad de la máquina quitanieve.

1. En un área bien ventilada, arranque el motor de la máquina quitanieve según se indica en la página 10 bajo el encabezado "Encendido del motor". Asegúrese de que el regulador se encuentre en la posición FAST (rápida) .
2. Parado en la posición del operador (detrás de la unidad), engrane la barrena.
3. Deje la barrena engranada durante aproximadamente diez (10) segundos antes de soltar el control de la misma. Repita esta operación varias veces.
4. Con el motor funcionando en posición FAST (rápida)  y el control de la barrena en posición desengranada arriba, camine hacia el frente de la máquina.
5. Confirme que la barrena ha dejado de girar por completo y no muestra NINGÚN signo de movimiento.

6. Si la barrena muestra ALGÚN signo de rotación, vuelva inmediatamente a la posición del operador y apague el motor. Espere a que todas las partes móviles se detengan antes de reajustar el cable de control de la barrena.
7. Afloje la tuerca hexagonal posterior en el soporte de ajuste del cable. Vea la Figura 9.

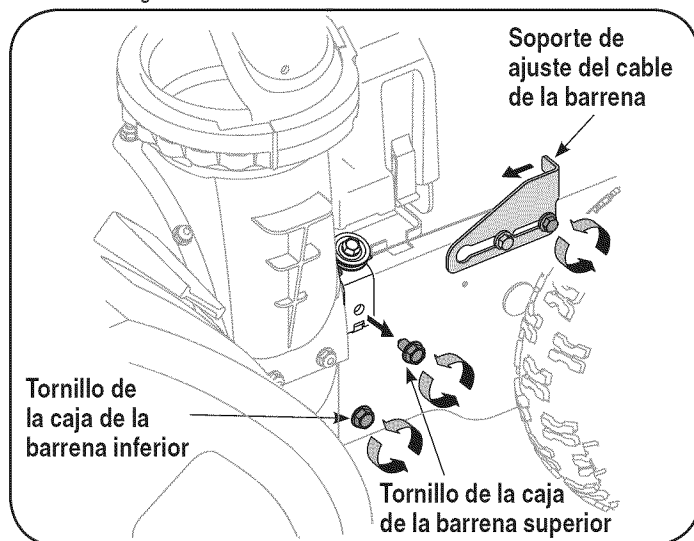
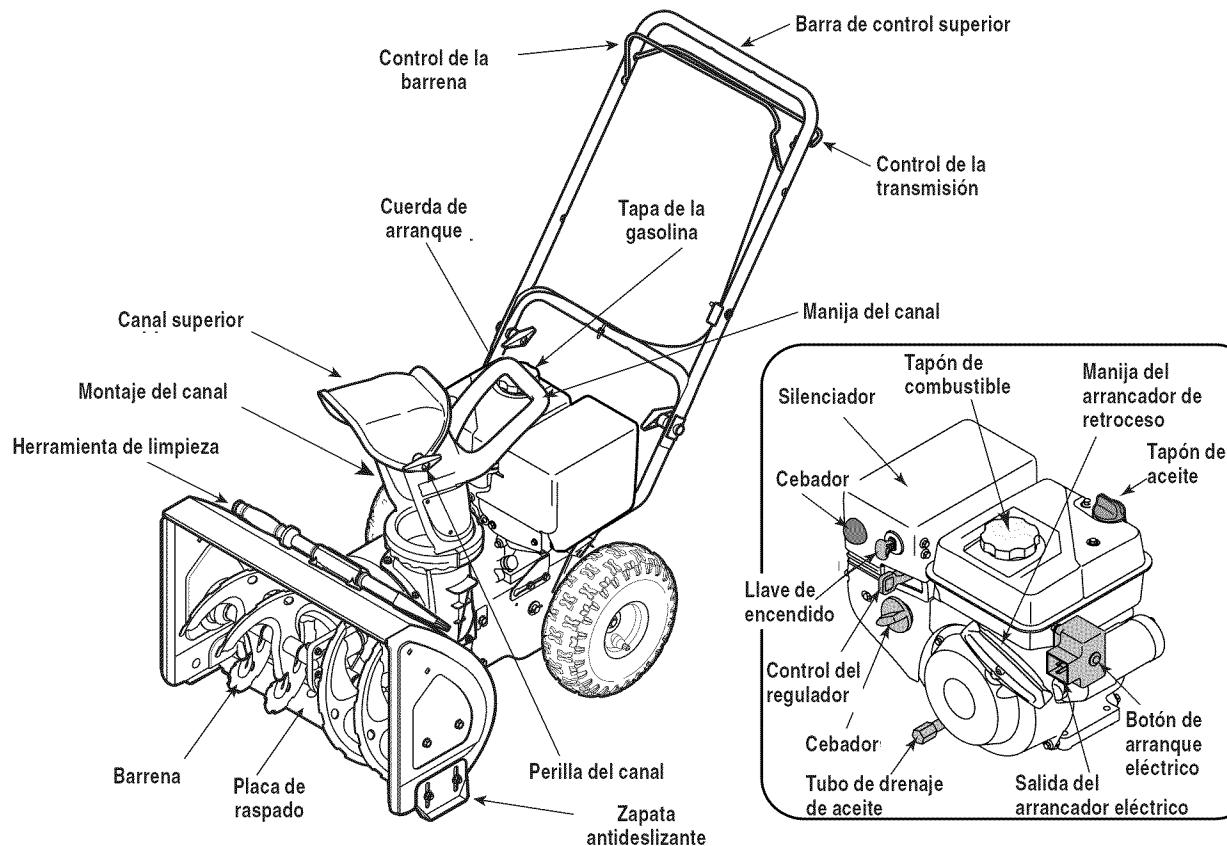


Figura 9

8. Deslice el soporte de ajuste del cable hacia atrás reduciendo el juego del cable de la barrena.
9. Vuelva a ajustar la tuerca hexagonal posterior.
10. Encienda el motor y verifique que el control de la barrena se engrana y desengrana adecuadamente.

NOTA: Si la barrena continúa girando con el control desengranado, apague el motor y reajuste el soporte del cable hacia adelante. Luego vuelva a controlar el funcionamiento de la barrena.

FUNCIONAMIENTO



⚠ ADVERTENCIA

Familiarícese con el uso de todos los controles de la máquina quitanieve y con su correcto funcionamiento. Sepa cómo detener la máquina y desactivar los controles rápidamente.

NOTA: Compare la Figura con su equipo y siga la descripción de los controles, que se ofrecen a continuación, para familiarizarse con su operación.

Control de la transmisión

Ubicado en la parte inferior del gancho superior, el control de la transmisión se utiliza para engranar / desengranar las ruedas. Apriete el control de la transmisión contra la barra de control superior para engranar las ruedas, y suéltelo para desengranarlas.

Control de la barrena

El control de la barrena está al lado de la barra de control superior. Apriete el control de la barrena contra la barra de control superior para engranar las barrenas, y suéltelo para desengranarlas.

⚠ ADVERTENCIA

Nunca realice ajustes al montaje del canal a menos que los controles de la barrena y la transmisión estén desengranados y el operador esté parado junto a la unidad.

IMPORTANTE: Consulte la Información sobre la prueba de control de la barrena en la sección Montaje y Ajustes de este manual antes de hacer funcionar la máquina quitanieve. Lea y cumpla todas las instrucciones

con cuidado, y realice todos los ajustes para verificar que su máquina quitanieve está funcionando de forma segura y adecuada.

Manija del canal

La dirección en que se arroja la nieve corresponde a la dirección de apertura del canal. Use la manija del canal para girar el montaje del canal en la dirección en la que desee arrojar la nieve.

Perilla del canal

Es posible ajustar la distancia a la cual se arroja la nieve elevando o bajando el canal superior. Afloje la perilla del canal del lado del canal superior para ajustarlo. Gire el canal superior hasta la posición deseada y vuelva a ajustar la perilla del canal.

Placa de raspado

La placa de raspado mantiene el contacto con el pavimento a medida que se impulsa la máquina quitanieve, permitiendo que se descargue la nieve que está cerca de la superficie del pavimento.

Zapata antideslizante

Se puede ajustar el espacio que existe entre la placa de raspado y el suelo. Si desea quitar nieve al ras del suelo, coloque las zapatas antideslizantes en la posición baja. Use las posiciones media o alta cuando la superficie que desea limpiar sea despareja o esté cubierta de grava.

FUNCIONAMIENTO

Barrenas

Cuando están engranadas, las barrenas giran y mandan la nieve hacia el interior de la caja de la barrena.

Montaje del canal

La nieve empujada al interior de la caja de la barrena se descarga por el montaje del canal.

Control del cebador

Al activar el control del cebador se cierra la placa de cebado del carburador y se ayuda a encender el motor. Por información acerca del uso del cebador, consulte Arranque del Motor más adelante en esta sección.



Arrancador de retroceso y manija del arrancador

Este motor cuenta arranque por estiramiento con acción de retroceso y manija de la empuñadura de mitón para un fácil acceso usando guantes o mitones.

Llave de encendido

La llave de encendido es un dispositivo de seguridad. Debe estar completamente insertada para que el motor arranque. Retire la llave de encendido cuando no use la máquina quitanieve.



NOTA: No gire la llave de encendido para intentar arrancar el motor. Al hacerlo podría romperla.

Botón del arrancador eléctrico

Si oprime el botón del arrancador eléctrico se engrana el arrancador eléctrico del motor cuando se lo enchufa a una fuente de energía de 120V.

Salida del arrancador eléctrico

Es necesario usar un cordón prolongador para exteriores de tres patas (se incluye) y una fuente de energía / tomacorriente de pared de 120V.

Cebador

Al presionar el cebador se envía combustible directamente al carburador del motor para facilitar el arranque cuando hace frío. Consulte las instrucciones de encendido en la sección de operación de este manual para usar correctamente el cebador. La imagen que aparece a continuación a la izquierda, coincide con la etiqueta que identifica al cebador en el motor.



Llenado de aceite

Saque el tapón de aceite para agregar aceite. Consulte la sección Mantenimiento y Servicio para obtener instrucciones sobre control y llenado de aceite.

Tapa de la gasolina

Saque la tapa de la gasolina para agregar combustible. La unidad opera con combustible normal.

NOTA: Esta unidad puede incluir un tapón de combustible, que únicamente se utiliza durante el montaje para mantener el depósito de combustible libre de suciedad y residuos. Descarte el tapón de combustible antes de llenar el depósito de combustible.

Control del regulador



El control del regulador está ubicado en el motor. Regula la velocidad del motor, y lo apaga cuando se presiona hacia abajo completamente. La imagen de la derecha representa las velocidades del control del regulador y coincide con la etiqueta ubicada en el motor. Las imágenes a continuación ilustran la definición de cada símbolo.

Herramienta de limpieza

⚠ ADVERTENCIA

Nunca use las manos para despejar un montaje de canal tapado. Apague el motor y permanezca detrás de las manijas hasta que todas las partes móviles se hayan detenido antes de utilizar la herramienta de limpieza para despejar el conjunto del canal.

La herramienta de limpieza del canal está ajustada convenientemente a la parte posterior de la caja de la barrena con un pasador de ensamblado. Si se acumulan nieve y hielo en el canal de descarga durante la operación, proceda como se indica a continuación para limpiar de manera segura el montaje del canal y la abertura del canal:

1. Suelte el control de la barrena y el control de la transmisión.
2. Para detener el motor saque la llave de encendido.
3. Saque la herramienta de limpieza de la horquilla que la ajusta a la parte posterior de la caja de la barrena.
4. Use el extremo con forma de pala de la herramienta de limpieza para desplazar y recoger la nieve y el hielo que se formen dentro y cerca del montaje del canal.
5. Vuelva a ajustar la herramienta de limpieza al pasador de ensamblado ubicado en la parte posterior de la caja de la barrena, inserte de nuevo la llave de encendido y encienda el motor de la máquina quitanieve.
6. Parado en la posición del operador (detrás de la máquina quitanieve), engrane el control de la barrena durante unos segundos para eliminar la nieve o el hielo que hayan quedado en el montaje del canal.

Antes de encender el motor

⚠ ADVERTENCIA

Lea, comprenda y siga todas las instrucciones y advertencias que aparecen en la máquina y en este manual antes de operarla.

Aceite del motor

Esta unidad se envió con aceite en el motor. Controle el nivel de aceite antes de cada operación para asegurarse de que haya aceite suficiente en el motor. Por más instrucciones, consulte la sección Mantenimiento y Servicio de este manual.

NOTA: Para comprobar el motor asegúrese de que esté apagado y sobre una superficie nivelada.

1. Retire el tapón de llenado de aceite/la varilla de medición y limpie la varilla de medición de aceite.
2. Inserte la tapa / varilla de medición en el cuello de llenado de aceite, gire la tapa 1 / 4 vuelta hasta que esté completamente asentada.
3. Saque el tapón / la varilla de medición de aceite. Si el nivel es bajo, agregue aceite lentamente (5W-30, con una clasificación mínima de SF/SG) hasta que el nivel registrado esté entre los puntos alto (H) y bajo (L).

NOTA: No lo llene en exceso. El llenado excesivo de aceite puede hacer que el motor genere humo, que cueste arrancarlo o que falle la bujía.

4. Vuelva a colocar el tapón / la varilla de medición de aceite bien ajustados antes de poner en marcha el motor.

FUNCIONAMIENTO

Gasolina

Utilice gasolina para automóviles (sin plomo o bajo contenido de plomo para minimizar los depósitos en la cámara de combustión) con un mínimo de 87 octanos. Se puede usar gasolina con hasta un 10% de etanol o un 15% de MTBE (éter metílico terciario-butílico). Nunca use una mezcla de aceite y gasolina ni gasolina sucia. Evite que se introduzca suciedad, polvo o agua en el depósito de combustible. NO utilice gasolina E85.

- Cargue combustible en un área bien ventilada y con el motor apagado. No fume ni permita llamas o chispas en el lugar donde se carga combustible o se almacena la gasolina.
- No llene en exceso el depósito de combustible. Después de cargar combustible, asegúrese de que el tapón del depósito esté bien cerrado y asegurado.
- Tenga cuidado de no derramar combustible al realizar la recarga. El combustible derramado o sus vapores se pueden incendiar. Si se derrama combustible, asegúrese de que el área esté seca antes de arrancar el motor.
- Evite el contacto repetido o prolongado con la piel o la inhalación de los vapores.

⚠ ADVERTENCIA

Tenga mucho cuidado al trabajar con gasolina. La gasolina es sumamente inflamable y sus vapores pueden causar explosiones. **Nunca** agregue combustible a la máquina en interiores o mientras el motor está caliente o en funcionamiento. Apague cigarrillos, cigarrillos, pipas y otras fuentes de combustión.

1. Antes de sacar el tapón para cargar combustible, limpie alrededor.
2. En el depósito de combustible hay un indicador de nivel. Llene el depósito hasta llegar al nivel de combustible del indicador. Vea el recuadro de la Figura 10. Tenga cuidado de no llenar en exceso.

Encendido del motor

⚠ ADVERTENCIA

Siempre mantenga las manos y los pies alejados de las partes móviles. No utilice fluidos comprimidos para arrancar. Los vapores son inflamables.

NOTA: Para ubicar todos los controles del motor que se mencionan en esta sección, consulte la Figura 9 de la página 12.

NOTA: Deje que el motor se caliente durante unos minutos tras el arranque. El motor no desarrollará toda su potencia hasta que alcance temperaturas operativas.

1. Asegúrese de que el control de la barra y el control de la transmisión estén en posición desengranada (sin presionar).
2. Inserte la llave de encendido en la ranura. Asegúrese de que entre a presión en su lugar. No intente girar la llave.

NOTA: El motor no puede arrancar si la llave no está completamente insertada en el interruptor de encendido.

Arrancador eléctrico



⚠ ADVERTENCIA

El arrancador eléctrico opcional está equipado con un cable de alimentación de tres hilos conectado a tierra y un enchufe y está diseñado para operar con corriente doméstica CA, 120 voltios. Debe ser utilizado con un receptáculo para tres patas correctamente conectado a tierra en todo momento para evitar la posibilidad de descargas eléctricas. Siga todas las instrucciones cuidadosamente antes de operar el arrancador eléctrico. NO utilice el arrancador eléctrico en la lluvia.

Determine si el cableado de su hogar es un sistema de tres cables conectado a tierra. Consulte con un electricista matriculado si no está seguro.

Si tiene un receptáculo de tres terminales con conexión a tierra, proceda de la siguiente manera: Si el cableado de su hogar no es el adecuado,



NO use el arrancador eléctrico en ninguna circunstancia.

1. Conecte el prolongador a la salida situada en la superficie del motor. Conecte el otro extremo del prolongador a un tomacorriente de CA, 120 voltios con conexión a tierra, para tres patas, en un área bien ventilada.
2. Mueva la palanca de control del regulador hasta la posición FAST (rápido, representado por una liebre) .
3. Mueva la palanca del cebador hasta la posición CHOKE (encendido) . Si el motor está caliente, ubique el cebador en la posición RUN (apagado).
4. Presione el botón del cebador tres (3) veces, asegurándose de cubrir el orificio de ventilación cuando lo haga. Si el motor está caliente, presione el botón del cebador una sola vez. Cubra siempre el orificio de ventilación cuando oprima el botón del cebador. Si hace frío puede resultar necesario repetir el cebado.
5. Presione el botón del arrancador para arrancar el motor. Una vez encendido el motor, suelte inmediatamente el botón del arrancador. El arrancador eléctrico tiene una protección contra sobrecarga térmica; el sistema se apagará transitoriamente para permitir que se enfríe el arrancador en caso que se sobrecargue.
6. A medida que se calienta el motor, rote lentamente el control del cebador hasta la posición RUN (apagado). Si el motor se detiene, vuelva a encenderlo, hágalo funcionar con el cebador en su posición media durante un lapso breve y luego gire lentamente el cebador hasta la posición RUN (apagado).
7. Una vez que el motor esté en funcionamiento, desconecte del arrancador eléctrico el cable de alimentación. Para desconectarlo, desenchufe siempre el extremo que está enchufado al tomacorriente de pared antes de desenchufar el extremo opuesto que está conectado al motor.

Arrancador de retroceso

⚠ PRECAUCIÓN

No tire de la manija del arrancador mientras el motor está en marcha.

1. Mueva la palanca de control del regulador hasta la posición FAST (rápido, representado por una liebre) .
2. Mueva la palanca del cebador hasta la posición CHOKE (encendido)  (encendido con el motor en frío). Si el motor está caliente, ubique el cebador en la posición RUN (apagado).
3. Presione el botón del cebador tres (3) veces, asegurándose de cubrir el orificio de ventilación cuando lo haga. Si el motor está caliente, presione el botón del cebador una sola vez. Cubra siempre el orificio de ventilación cuando oprima el botón del cebador. Si hace frío puede resultar necesario repetir el cebado.
4. Jale suavemente la manija del arrancador hasta que comience a ofrecer resistencia, luego jálela rápidamente y con fuerza para superar la compresión. No suelte la manija ni permita que se desenganche. Vuelva la soga LENTAMENTE a su posición original. De ser necesario, repita este paso.
5. A medida que se calienta el motor, rote lentamente el control del cebador hasta la posición RUN (apagado). Si el motor se detiene, vuelva a encenderlo, hágalo funcionar con el cebador en su posición media durante un lapso breve y luego gire lentamente el cebador hasta la posición RUN (apagado).


⚠ ADVERTENCIA

Para evitar que el motor funcione sin control, nunca deje la máquina sin vigilancia mientras está en marcha. Apague el motor luego de usarlo y saque la llave de encendido.

FUNCIONAMIENTO

Detención del motor

Deje encendido el motor durante algunos minutos antes de detenerlo para permitir que se seque la humedad en el mismo.

1. Mueva el control del regulador hasta la posición STOP (detención) .
2. Retire la llave de encendido. Al retirar la llave se reduce la posibilidad de que el motor sea puesto en marcha sin autorización mientras el equipo no está en uso. Guarde la llave en un lugar seguro. El motor no puede arrancar sin la llave de encendido.
3. Elimine la humedad de los controles del motor.


Antes de detener la máquina

1. Deje encendido el motor durante algunos minutos para permitir que se seque la humedad en el mismo.
2. Para evitar un posible congelamiento del arrancador de retroceso, siga estos pasos:

Arrancador de retroceso

- a. Con el motor en marcha, tire de la cuerda del arrancador con movimiento rápido y continuo del brazo tres o cuatro veces.

Procedimiento para detener la máquina quitanieve

1. Para detener las ruedas, suelte el control de la transmisión.
2. Para dejar de quitar la nieve, suelte el control de la barrena.
3. Para detener el motor presione la palanca de control del regulador hasta la posición OFF (apagado)  y saque la llave. No gire la llave.

ADVERTENCIA

La temperatura del silenciador y de las áreas que lo rodean puede superar los 150° F. Evite dichas áreas.

Procedimiento para quitar la nieve

PRECAUCIÓN: Revise la zona que desea limpiar para detectar la presencia de objetos extraños. Retírelos si los hay.

1. Encienda el motor siguiendo las instrucciones de encendido.
2. Deje que el motor se caliente unos minutos ya que el mismo no desarrolla la potencia máxima hasta que alcanza la temperatura de funcionamiento.
3. Gire el conjunto del canal hacia la dirección deseada, lejos de transeúntes o edificios.
4. Asegúrese de que no haya ningún transeúnte ni ningún objeto enfrente de la unidad, presione el control de la barrena completamente contra la barra superior hasta engranar totalmente las barrenas.
5. Mientras engrana el control de la barrena, presione el control de la transmisión completamente contra la manija superior para engranar las ruedas. No ponga horizontal el control de transmisión.
6. A medida que la máquina quitanieve comienza a moverse, sostenga firmemente la manija y guíe la máquina a lo largo del camino que desea limpiar.
7. Suelte los controles de la barrena y la transmisión para que la máquina deje de quitar nieve y de desplazarse hacia delante.

NOTA: Su unidad está equipada con un embrague en la transmisión. Si las ruedas se detienen mientras trata de descargar grandes volúmenes de nieve, inmediatamente desengrane el control de la transmisión y deje que las barrenas que están girando descarguen la nieve de la caja. Reduzca la anchura de separación y continúe la operación.

8. Con las pasadas sucesivas reajuste el conjunto del canal en la posición deseada y traslape levemente la pasada que limpió previamente.

Ubicación del canal de descarga

Afloje la perilla del canal y gire el canal superior hasta la posición deseada. Ajuste la perilla del canal comprobando que el perno de carro esté ubicado correctamente.

Gire la manija del canal a la posición de operación deseada.

ADVERTENCIA

No eleve nunca la máquina quitanieve tomándola de la manija del canal.

Consejos de operación

1. Para que el quitado de la nieve sea más eficiente debe hacerlo inmediatamente después de la caída de la misma.
2. En lo posible, descargue la nieve en la dirección del viento. Traslape levemente cada pasada anterior.
3. Configure las zapatas antideslizantes 1/4" por debajo de la placa de raspado para un uso normal. Las zapatas antideslizantes se pueden ajustar hacia arriba cuando la nieve esté muy compactada.

NOTA: No se recomienda la operación de esta máquina quitanieve sobre grava, ya que es posible que la máquina quitanieve tome la grava suelta y la barrena la expulse, lo cual podría causar lesiones personales o dañar la máquina quitanieve.

4. Si por algún motivo tiene que usar la máquina quitanieve sobre grava, mantenga la zapata antideslizante en la posición más elevada para lograr una separación máxima entre el suelo y la placa de raspado.
5. Limpie cuidadosamente la máquina quitanieve después de cada uso.

REEMPLAZO DE LOS PASADORES DE CUCHILLA

Las barrenas están ajustadas al eje espiral con dos pasadores de cuchilla y pasadores de chaveta. La máquina quitanieve ha sido diseñada para que los pasadores se quiebren si la barrena golpea un objeto extraño o un trozo de hielo. Si las barrenas no giran, verifique si los pasadores se han quebrado. Vea la Figura 10.

PRECAUCIÓN

NUNCA cambie los pasadores de cuchilla de las barrenas por otra cosa que los pasadores de cuchilla de repuesto del fabricante del equipo original, N° de pieza -738-04124. Cualquier daño que sufra la caja de engranajes de la barrena o cualquier otro componente por respetar la indicación precedente, NO estará cubierto por la garantía de su máquina quitanieve.

ADVERTENCIA

Siempre debe apagar el motor de la máquina quitanieve y retirar la llave antes de cambiar los pasadores de cuchilla.

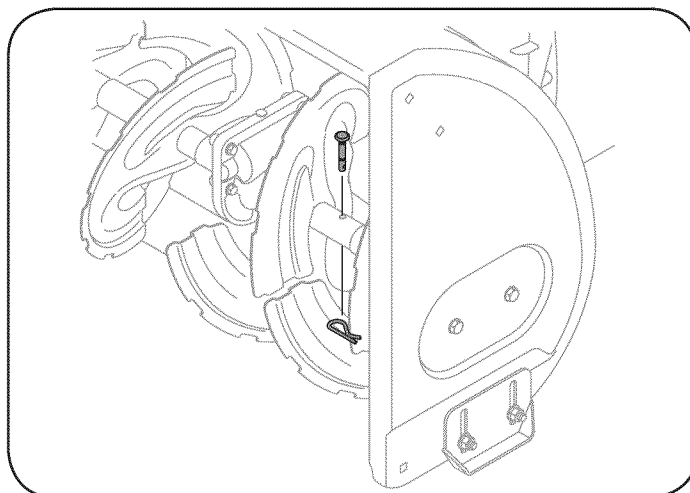


Figura 10

MANTENIMIENTO Y SERVICIO

MANTENIMIENTO DEL MOTOR

⚠️ ADVERTENCIA

Antes de realizar tareas de lubricación, reparación o inspección, desengrane todos los controles y detenga el motor. Espere a que se detengan completamente todas las piezas móviles.

Control del aceite del motor

NOTA: Verifique el nivel de aceite antes de cada uso y después de cada cinco horas de funcionamiento para cerciorarse que se mantiene el nivel de aceite indicado.

Cuando le agregue aceite al motor, consulte la siguiente tabla de viscosidad. La capacidad de aceite del motor es 600 ml (aprox. 20 onzas). No llene excesivamente. Use un aceite para motor de cuatro tiempos, o un aceite detergente de calidad premium equivalente con certificado que cubra o exceda las exigencias de los fabricantes de automóviles americanos respecto de la clasificación de servicio SG y SF. Los aceites para motor con la clasificación SG, SF tienen esta designación en el envase.

1. Retire el tapón de llenado de aceite/la varilla de medición y limpie la varilla de medición de aceite.
2. Inserte la tapa / varilla de medición en el cuello de llenado de aceite, gire la tapa 1 / 4 vuelta hasta que esté completamente asentada.
NOTA: En algunos motores, un tapón de rosca / varilla de medición pueden existir en lugar de una tapa de 1 / 4 vuelta como se describe anteriormente. En este caso no apretar la tapa para verificar el nivel de aceite. Simplemente descansar la tapa en las roscas para comprobar el nivel de aceite correcto.
3. Saque el tapón / la varilla de medición de aceite. Si el nivel es bajo, agregue lentamente aceite hasta que el nivel registrado esté en un punto intermedio entre alto (H) y bajo (L). Vea la Figura 11.
4. Vuelva a colocar el tapón / la varilla de medición de aceite bien ajustados antes de poner en marcha el motor.

Cambio de aceite del motor

NOTA: Cambie el aceite del motor después de las primeras cinco horas de funcionamiento y, en lo sucesivo, una vez por temporada o cada cincuenta horas.

1. Vacíe el combustible del depósito haciendo funcionar el motor hasta que el depósito de combustible esté vacío. Cerciórese de que el tapón de llenado del combustible está bien ajustado.
2. Para recolectar el aceite coloque un recipiente adecuado bajo el tapón de drenaje de aceite.
3. Saque el tapón de drenaje del aceite. Vea la Figura 12.
4. Inclíne el motor para drenar el aceite en el recipiente. El aceite usado se debe descartar en un centro de recolección adecuado.

5. Vuelva a colocar el tapón de drenaje y ajústelo bien.
6. Vuelva a cargar el aceite recomendado y controle el nivel de aceite. Consulte el gráfico de uso de aceite recomendado. La capacidad de aceite del motor es de 20 onzas.

⚠️ PRECAUCIÓN

NO utilice aceites sin detergente o para motor de dos tiempos. Podría reducirse la vida útil del motor.

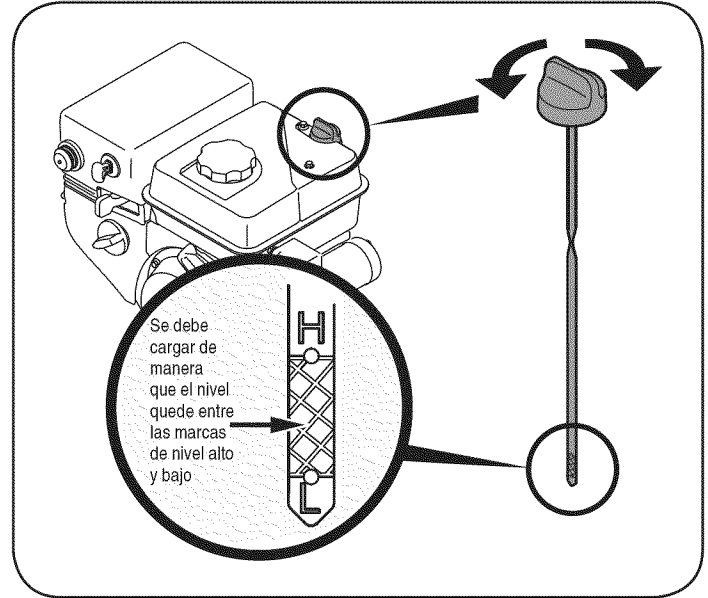


Figura 11

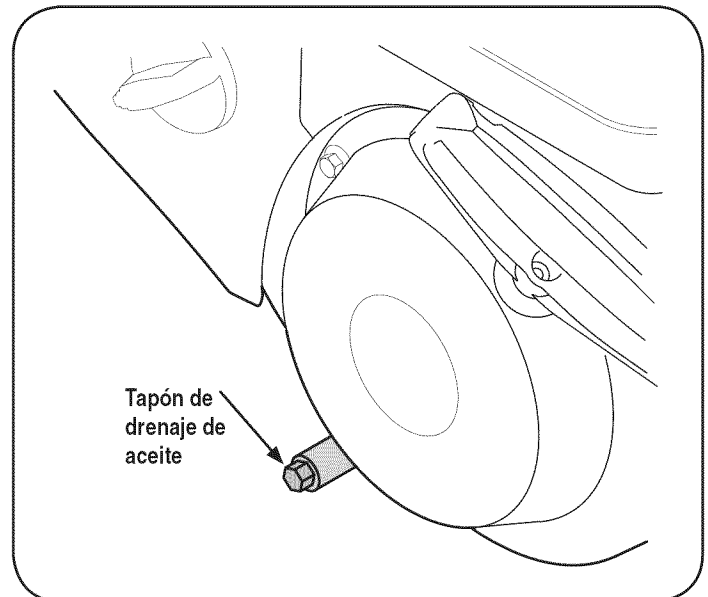


Figura 12

7. Vuelva a colocar y ajustar el tapón de llenado/la varilla de nivel de aceite.

⚠️ PRECAUCIÓN

Lávese bien las manos con agua y jabón inmediatamente después de tocar aceite usado.

	Synthetic				
	0W-30				
			5W-30		
(°F)	-40°	-20°	0°	20°	40°
(°C)	-30°	-20°	-10°	0°	

MANTENIMIENTO Y SERVICIO

Control de la bujía

⚠ ADVERTENCIA

NO pruebe la chispa si no está la bujía de encendido. NO dé arranque al motor si no está la bujía de encendido.

⚠ ADVERTENCIA

Si el motor ha estado funcionando, el silenciador estará muy caliente. Tenga cuidado de no tocar el silenciador.

NOTA: Controle la bujía una vez por temporada o cada 25 horas de funcionamiento. Cambie la bujía una vez por temporada o cada 100 horas de funcionamiento.

Para asegurarse de que el motor funcione bien, la bujía debe tener una separación correcta y debe estar libre de depósitos.

1. Retire la funda de bujía y utilice una llave para bujías para extraer la bujía. Vea la Figura 13.
2. Inspeccione visualmente la bujía. Elimine la bujía si presenta mucho desgaste, o si el aislante está agrietado o astillado. Limpie la bujía con un cepillo de alambre si se va a reutilizar.
3. Mida la separación de bujía con un calibrador. Corrija de ser necesario torciendo el electrodo lateral. Vea la Figura 14. La separación debe establecerse entre 0,02 y 0,03 pulgadas (0,60-0,80 mm).
4. Verifique que la arandela de la bujía esté en buenas condiciones y enrosque la bujía hacia adentro manualmente para evitar que se enrosque cruzada.
5. Una vez que la bujía está colocada en su lugar, apriete con una llave para bujía para comprimir la arandela.

NOTA: Cuando instale una bujía nueva, apriete 1/2vuelta, después que la bujía se encuentra colocada en su lugar, para comprimir la arandela. Cuando reinstale una bujía usada, ajuste 1/8- a 1/4de giro, después que la bujía se encuentra colocada en su lugar, a fin de comprimir la arandela.

⚠ PRECAUCIÓN

La bujía debe estar bien ajustada. Si la bujía está floja puede recalentarse y dañar el motor.

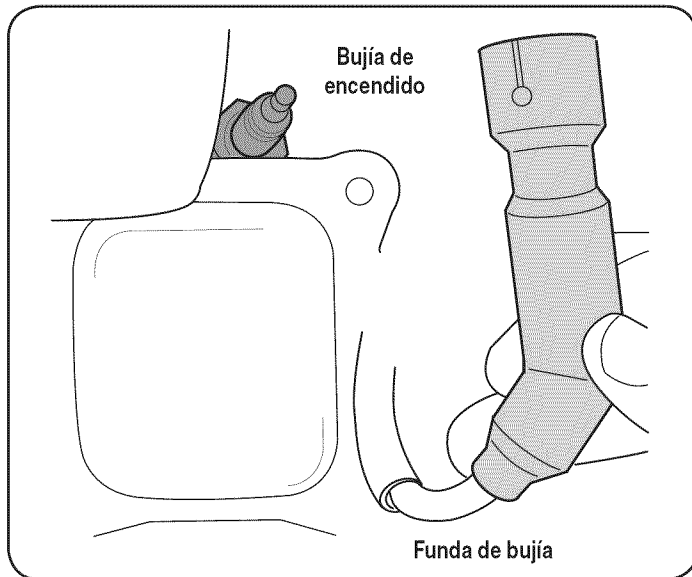


Figura 13

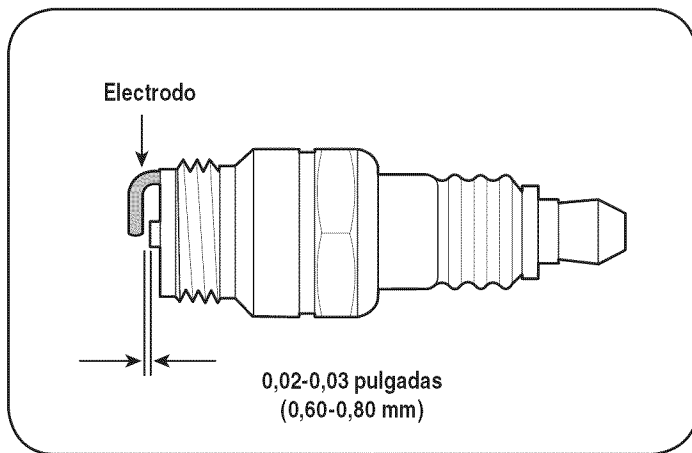


Figura 14

MANTENIMIENTO Y SERVICIO

Recomendaciones generales

1. Respete siempre las reglas de seguridad cuando realice tareas de mantenimiento.
2. La garantía de esta máquina quitanieve no cubre elementos que han estado sujetos al mal uso o negligencia del operador. Para recibir el reembolso total de la garantía, el operador deberá dar mantenimiento a la máquina quitanieve como se indica en este manual.
3. Revise periódicamente todos los sujetadores y los elementos de ferretería para comprobar que estén bien ajustados.

⚠ ADVERTENCIA

Realice el mantenimiento de la correa al aire libre, ya que es posible que haya pérdidas de combustible del carburador incluso cuando se ubica un trozo de plástico bajo la tapa de llenado de combustible para evitar que éste sufra pérdidas.

Cambio de la placa de raspado y las zapatas antideslizantes

La placa de raspado y las zapatas antideslizantes ubicadas en la base de la máquina quitanieve están sujetas a desgaste. Debe controlarlas periódicamente y reemplazarlas cuando sea necesario.

1. Para cambiarlas, quite los pernos de carro y las tuercas que aseguran cada zapata antideslizante a la caja de la máquina quitanieve. Vea la figura 15.
2. Vuelva a ensamblar nuevas zapatas antideslizantes con los elementos de ferretería que acaba de retirar. Compruebe que las zapatas antideslizantes están ajustadas para que queden parejas.
3. Para retirar la placa de raspado: Retire ambas zapatas antideslizantes y los elementos de ferretería, incluyendo los pernos del carro y las tuercas que unen la placa de raspado a la caja de la máquina quitanieve. Por la ubicación de la placa de raspado, consulte la figura 15.
4. Vuelva a ensamblar la placa de raspado nueva, asegurándose de que las cabezas de los pernos del carro se encuentren del lado interior de la caja. Vuelva a instalar las zapatas antideslizantes. Ajuste bien.

Servicio de las barrenas

Las barrenas están sujetas al eje espiral con cuatro pasadores de cuchilla y pasadores de chaveta. La máquina quitanieve está diseñada de manera que los pasadores se quiebran si golpea un objeto extraño o una barra de hielo. Consulte la Figura 15.

Si las barrenas no giran, verifique si los pasadores se quebraron. Si es necesario, reemplácelos por pasadores de cuchilla adecuados. Consulte el número de pieza correcto en la lista de piezas de este manual.

IMPORTANTE: No reemplace NUNCA los pasadores de cuchilla de las barrenas por pasadores o sujetadores estándar. Cualquier daño que sufra el engranaje de la barrena o cualquier otro componente por el uso de pasadores estándar NO estará cubierto por la garantía de su máquina quitanieve.

Lubricación

Para ubicar los puntos de lubricación de la máquina quitanieve, consulte la Figura 16.

1. Una vez por temporada, lubrique los puntos de giro del control de la barrena y el control de la transmisión con un aceite liviano para motor.
2. Una vez por temporada, lubrique el soporte intermedio de la barrena con un aceite liviano.

Motor

A continuación se enumeran recomendaciones generales sobre el mantenimiento del motor de su máquina quitanieve.

1. Antes de operar la máquina quitanieve, controle el nivel de aceite.

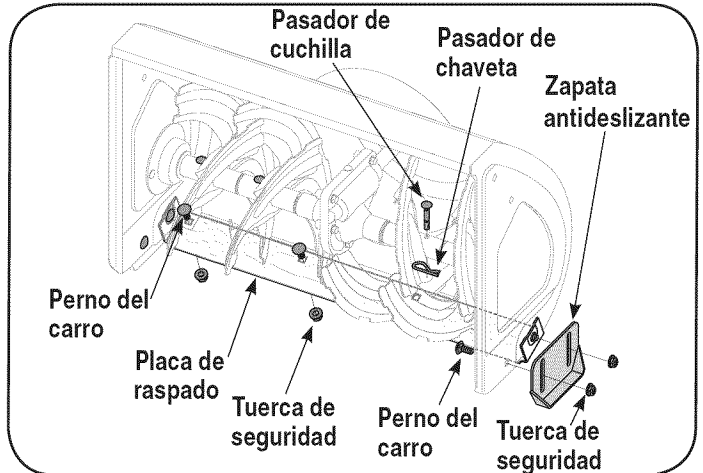


Figura 15

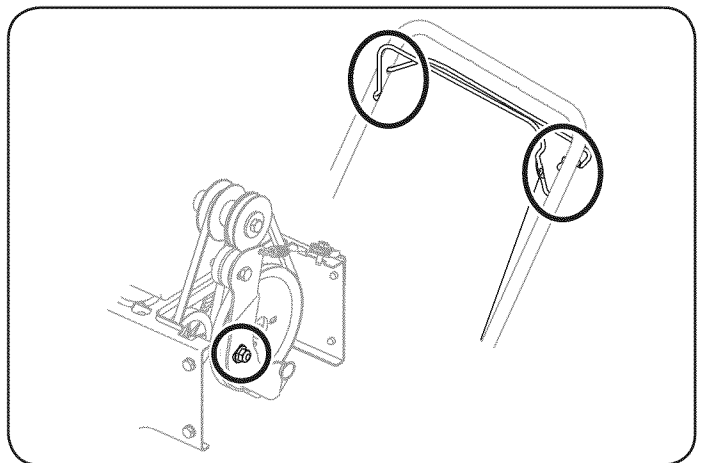


Figura 16

2. Cambie el aceite del motor después de las primeras cinco horas de funcionamiento y a partir de ahí cada 50 horas.
3. Limpie la bujía y reajuste la separación de electrodos a 0,030" al menos una vez por temporada o cada 100 horas de funcionamiento; reemplácela cada 200 horas de funcionamiento.

Verifique las correas en V

Siga las instrucciones que se suministran a continuación para verificar el estado de las correas de transmisión cada 50 horas de funcionamiento.

1. Saque la cubierta plástica de la correa ubicada en el frente del motor. Para ello saque los tornillos autorroscantes y presione las lengüetas plásticas para soltar la cubierta de la correa.
2. Verifique visualmente la existencia de correas raídas, agrietadas o excesivamente gastadas. En caso de ser necesario, reemplace según las instrucciones que aparecen a continuación.

Reemplazo de las correas

NOTA: Esta máquina quitanieve viene equipada con dos correas: una correa de la barrena y una correa de transmisión. Se recomienda que ambas correas sean reemplazadas al mismo tiempo.

1. Retire de la bujía el cable de la misma, y póngalo de manera que haga masa contra el motor para evitar que se encienda de manera accidental.
2. Haga funcionar el motor hasta que el depósito de combustible se vacíe para evitar una pérdida de gasolina durante los siguientes pasos.

MANTENIMIENTO Y SERVICIO

⚠ ADVERTENCIA

Antes de realizar tareas de servicio, reparación, lubricación o inspección, desengrane todos los controles y detenga el motor. Espere a que se detengan completamente todas las piezas móviles. Desconecte el cable de la bujía y póngalo haciendo masa contra el motor para evitar que se encienda accidentalmente. Utilice siempre anteojos de seguridad durante la operación o mientras realiza ajustes o reparaciones.

3. Retire el tornillo autorroscante que se muestra en la Figura 17, y presione las lengüetas plásticas para soltar la cubierta de la correa. Tire de la cubierta de la correa hacia arriba y hacia afuera sacándola de alrededor del motor y el montaje del canal. Déjela separada y guárdela.

Correa de barrena

IMPORTANTE: Recuerde que puede haber pérdida de gasolina del carburador en este punto; debe haber hecho funcionar el motor hasta vaciar el depósito de combustible como se indicó previamente.

1. Incline la máquina quitanieve hacia arriba y hacia adelante de manera que quede apoyada sobre la caja de la barrena. Retire el guardacorrea como se indica en la Figura 19. Regrese la máquina quitanieve a su posición vertical para completar los siguientes pasos.
2. Deslice la correa de la barrena frontal fuera de la polea del motor empujándola hacia adelante y haciéndola rodar fuera de la polea. Vea la Figura 18.
3. Apriete la barra de control de la barrena para soltar el freno de la barrena, que es la lengüeta que sujeta la correa sobre la polea de la barrena. Retire la correa.
4. Reemplácela por la nueva correa después de reemplazar la correa de la transmisión.

Correa de la transmisión

NOTA: Reemplace la correa de la transmisión antes de volver a ensamblar la nueva correa de la barrena.

1. Incline la máquina quitanieve hacia arriba y hacia adelante de manera que quede apoyada sobre la caja de la barrena.

IMPORTANTE: Recuerde que puede haber pérdida de gasolina del carburador en este punto; debe haber hecho funcionar el motor hasta vaciar el depósito de combustible como se indicó previamente.

2. Quite el resorte que conecta la transmisión a un perno en el cuadro del motor. Vea la Figura 19.

NOTA: Puede ser más fácil retirar la tuerca de seguridad bridada en primer lugar, y luego usar pinzas de punta de aguja para sujetar con firmeza el resorte y retirarlo del perno.

3. Gire la transmisión hacia adelante para soltar la presión en la correa de transmisión. Retire la correa de la polea de transmisión.
4. Quite la correa de transmisión de alrededor de la polea del motor y sáquela de la unidad.
5. Instale una nueva correa de transmisión dentro de la ranura de la polea del motor. Vea la Figura 18.
6. Incline la transmisión hacia adelante y ubique la correa de transmisión en la polea de transmisión.
7. Vuelva a conectar el resorte al perno en el marco del motor y ajuste la transmisión. Vuelva a instalar la tuerca de seguridad bridada.
8. Coloque la correa de barrena nueva.
9. Vuelva a montar la cubierta de la correa en la máquina quitanieve:
10. Vuelva a montar el guardacorrea a la caja.

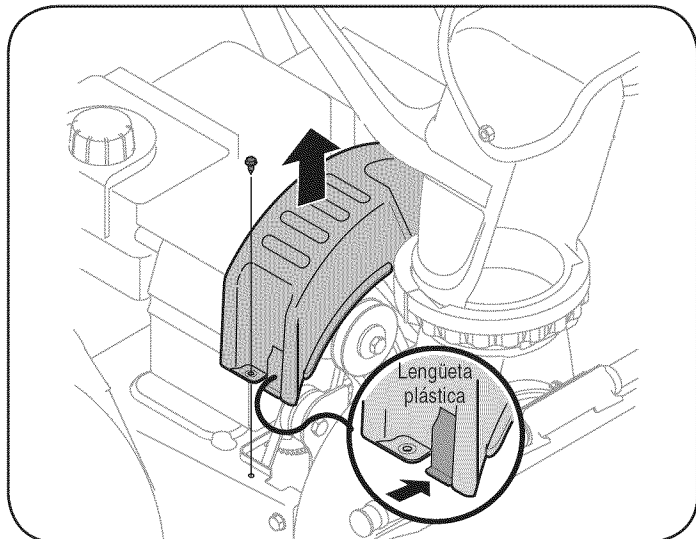


Figura 17

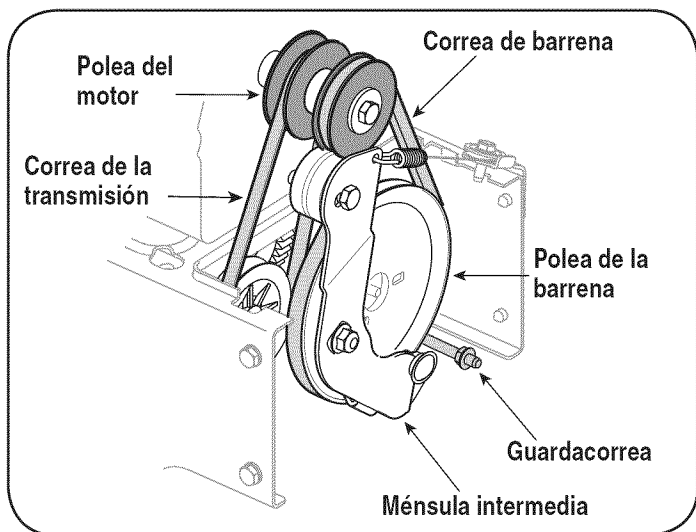


Figura 18

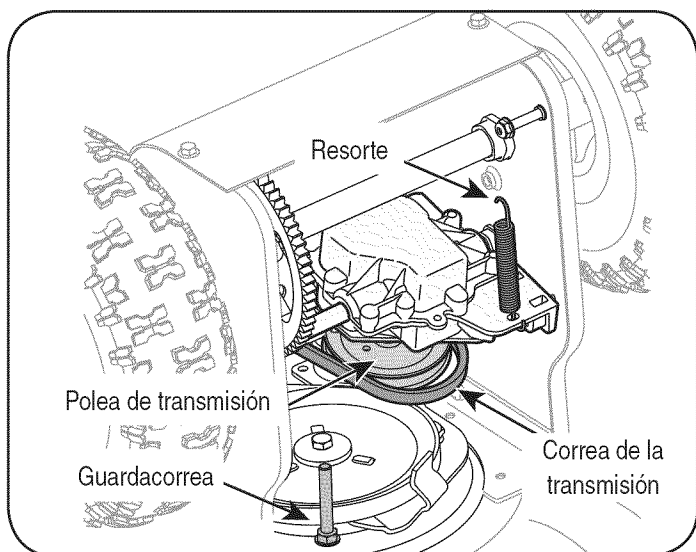


Figura 19

MANTENIMIENTO Y SERVICIO

Ajuste del cable de la barrena

Es posible que se requieran ajustes periódicos del cable de control de la barrena debido al estiramiento y al desgaste normal de la correa.

Se necesitarán ajustes si las barrenas parecen temblar mientras giran pero el motor mantiene su velocidad, o si sigue girando con el control de la barrena desengranado. Refiérase a la sección de la Asamblea par Ajuste del cable de la barrena

Siga el cronograma de mantenimiento que se presenta a continuación. Algunos ajustes deben ser realizados periódicamente para el mantenimiento adecuado de la unidad. Revise periódicamente todos los sujetadores y compruebe que estén bien ajustados. Controle su calendario de mantenimiento completando el campo "Fechas de los servicios" que aparece a continuación.

ADVERTENCIA

Antes de realizar tareas de servicio, reparación, lubricación o inspección, desengrane todos los controles y detenga el motor. Espere a que se detengan completamente todas las piezas móviles. Desconecte el cable de la bujía y póngalo haciendo masa contra el motor para evitar que se encienda accidentalmente. Utilice siempre anteojos de seguridad durante la operación o mientras realiza ajustes o reparaciones.

Programa de mantenimiento

Intervalo	Artículo	Servicio	Registro de servicio
Antes de cada uso	1. Revise el nivel de aceite del motor.	1. Carga de aceite si el nivel está bajo	
Después de cada uso	1. Verifique el equipo. 2. Verifique el estado de las zapatas.	1. Limpieza 2. Limpieza	
1ras 5 horas	1. Aceite del motor	1. Cambio.	
Luego de 25 horas	1. Compruebe las correas en V.	1. Ajuste o reparación según resulte necesario.	
Antes de almacenar	1. Sistema de combustible.	1. Vaciado.	
Una vez por temporada	1. Puntos de pivote. 2. Sistema de transmisión y eje de engranaje hexagonal. 3. Eje de las ruedas. 4. Bujía de encendido.	1. Lubricación. 2. Lubricación. 3. Engrasado. 4. Cambio de ser necesario.	

ALMACENAMIENTO FUERA DE TEMPORADA

Si no se va a utilizar el equipo durante 30 días o más, o si es el final de la temporada de nieve y ya no existe posibilidad de que nieve, es necesario almacenar el equipo de manera adecuada. Siga las instrucciones de almacenamiento que se indican a continuación para garantizar el rendimiento máximo de la máquina quitanieve durante muchos años .

PREPARACIÓN DEL MOTOR

Los motores que se almacenan durante más de 30 días necesitan ser drenados de combustible para evitar que se deterioren y se forme goma en el sistema de combustible o en las piezas principales del carburador. Si la gasolina de su motor se deteriora durante el almacenamiento, es posible que deba reparar o reemplazar el carburador y otros componentes del sistema de combustible.

1. Elimine todo el combustible del tanque haciendo funcionar el motor hasta que se detenga. No intente de combustible para el motor.
 2. Cambie el aceite del motor.
 3. Extraiga la bujía de encendido y vierta en el cilindro aproximadamente 1 onza (30 ml) de aceite para motor limpio. Tire varias veces del arrancador de retroceso para distribuir el aceite y reinstale la bujía.
 4. Limpie los residuos de alrededor del motor, y debajo, alrededor, y detrás del silenciador. Aplique una capa delgada de aceite en todas las áreas que pueden llegar a oxidarse.
- Almacene en un sector limpio, seco y bien ventilado, lejos de cualquier artefacto que funcione con una llama o luz piloto como un horno, calentador de agua o secador de ropa. Evite cualquier sector con un motor eléctrico que produzca chispas o donde se utilicen herramientas eléctricas.

ADVERTENCIA

Nunca almacene la máquina quitanieve con combustible en el tanque en un espacio cerrado o en áreas con poca ventilación, donde los gases del combustible puedan alcanzar el fuego, chispas o una luz piloto como la que tienen algunos hornos, calentadores de agua, secadores de ropa o algún otro dispositivo a gas.

- Si es posible, evite sectores de almacenamiento con mucha humedad.
- Mantenga el motor nivelado en el almacén. La inclinación del motor puede causar pérdidas de combustible o aceite.

PREPARACIÓN DE LA MÁQUINA QUITANIEVE

1. Cuando almacene la máquina quitanieve en un galpón de depósito metálico o con poca ventilación, tenga especial cuidado de realizarle un tratamiento anti-oxidante al equipo. Use aceite ligero o silicón para recubrir el equipo, especialmente las cadenas, los resortes, los cojinetes y los cables.
2. Elimine todo el polvo del exterior del motor y del equipo.
3. Siga las recomendaciones de lubricación en la sección de mantenimiento de este manual.
4. Almacene el equipo en un área despejada y seca.
5. Inflar los neumáticos a la presión de psi máxima. Consulte el costado del neumático.

SOLUCIÓN DE PROBLEMAS

⚠ ADVERTENCIA

Antes de realizar cualquier tipo de mantenimiento o servicio, desenganche todos los controles y detenga el motor. Espere a que se detengan completamente todas las piezas móviles. Desconecte el cable de la bujía y póngalo haciendo masa contra el motor para evitar que se encienda accidentalmente. Utilice siempre anteojos de seguridad durante la operación o mientras realiza ajustes o reparaciones.

Esta sección analiza problemas menores de servicio. Para ubicar el Centro de Servicio Sears más cercano o para programar un servicio, simplemente comuníquese con Sears al teléfono 1-800-4-MY-HOME®.

Problema	Causa	Solución
El motor no arranca	<ol style="list-style-type: none"> 1. El control del cebador no está en la posición ON (encendido). 2. Se ha desconectado el cable de la bujía. 3. La bujía no funciona correctamente. 4. El depósito de combustible está vacío o el combustible se ha echado a perder. 5. El motor no está cebado. 6. La llave de seguridad no se ha insertado. 	<ol style="list-style-type: none"> 1. Ponga el control del cebador en la posición ON (encendido). 2. Conecte el cable a la bujía. 3. Límpiela, ajuste la distancia disruptiva o cámbiela. 4. Llene el tanque con gasolina limpia y fresca. 5. Cebe el motor tal como se explicó en la sección Funcionamiento. 6. Inserte la llave totalmente dentro del interruptor.
Motor en marcha errática/RPM incompatibles (o aumento de la caza)	<ol style="list-style-type: none"> 1. El motor está funcionando en la posición "choke" (c). 2. La línea del combustible está tapada o el combustible es viejo. 3. Hay agua o suciedad en el sistema de combustible. 4. Es necesario regular el carburador. 5. Más gobernados motor 	<ol style="list-style-type: none"> 1. Mueva la palanca del cebador a la posición RUN. 2. Limpie la línea del combustible y llene el depósito con gasolina limpia y nueva. 3. Poner en marcha el motor hasta que se detenga para vaciar el depósito de combustible. Vuelva a llenar el depósito con combustible nuevo. 4. Comuníquese con un centro de servicio Sears. 5. Comuníquese con un centro de servicio Sears.
El motor recalienta	<ol style="list-style-type: none"> 1. El carburador no está bien regulado. 	<ol style="list-style-type: none"> 1. Contacte con su centro de partes y reparaciones Sears.
Vibración excesiva	<ol style="list-style-type: none"> 1. Hay piezas que están flojas o la barrena está dañada. 	<ol style="list-style-type: none"> 1. Detenga el motor de inmediato y desconecte el cable de la bujía. Ajuste todos los pernos y las tuercas. Si la vibración continúa, lleve la unidad a reparar a un centro de partes y reparación Sears.
Pérdida de potencia	<ol style="list-style-type: none"> 1. El cable de la bujía está flojo. 2. El orificio de ventilación del tapón de combustible está obstruido. 	<ol style="list-style-type: none"> 1. Conecte y ajuste el cable de la bujía. 2. Retire el hielo y la nieve del tapón de combustible. Compruebe que el orificio de ventilación no esté obstruido.
La unidad no se autoimpulsa	<ol style="list-style-type: none"> 1. El cable de la transmisión necesita un ajuste. 2. La correa de transmisión está floja o dañada. 	<ol style="list-style-type: none"> 1. Ajuste el cable del control de transmisión. Consulte la sección de Servicio y Mantenimiento. 2. Reemplace la correa de transmisión. Consulte la sección de Servicio y Mant.
La unidad no descarga la nieve	<ol style="list-style-type: none"> 1. El conjunto del canal está tapado. 2. Hay un objeto extraño en la barrena. 3. El cable de la barrena necesita un ajuste. 4. La correa de la barrena está floja o dañada. 5. El o los pasadores de cuchilla está(n) quebrado(s). 	<ol style="list-style-type: none"> 1. Detenga el motor de inmediato y desconecte el cable de la bujía. Limpie el montaje del canal y el interior de la caja de la barrena con la herramienta de limpieza o una varilla. 2. Detenga el motor de inmediato y desconecte el cable de la bujía. Retire el objeto de la barrena con la herramienta de limpieza o una varilla. 3. Ajuste el cable del control de la barrena. Consulte la sección Montaje. 4. Reemplace la correa de la barrena. Consulte la sección de Servicio y Mantenimiento. 5. Reemplace con nuevo(s) pasador(es) de cuchilla.

**MTD CONSUMER GROUP, INC. (MTD), el Bordo de Recursos de Aire de California (CARB)
y la Agencia de Protección Medioambiental de Estados Unidos (U. S. EPA)**

Declaración de Garantía del Sistema de Control de Emisiones

(Derechos y obligaciones del propietario según la garantía contra defectos)

LA COBERTURA DE SISTEMA DE CONTROL DE EMISIÓN ES APLICABLE A MOTORES CERTIFICADOS COMPRADOS EN CALIFORNIA EN 2005 Y A PARTIR DE ENTONCES, QUE SON USADOS EN CALIFORNIA, Y HASTA AÑO 2005 DE MODELO CERTIFICADO Y MOTORES POSTERIORES QUE SON COMPRADOS Y USADOS EN OTRA PARTE EN LOS ESTADOS UNIDOS.

California y en otra parte en la Cobertura de Garantía de Defectos de Control de Emisión de los Estados Unidos

El Bordo de Recursos de Aire de California (CARB), la U. S. EPA y MTD se complacen en explicar la garantía del sistema de control de emisiones de su motor para equipo todo terreno, modelo, año 2005 y versiones posteriores. En California, los nuevos motores pequeños para equipo todo terreno se deben diseñar, fabricar y equipar para cumplir con estándares de antiniebla tóxica de estados. En otra parte en los Estados Unidos, el nuevo no camino, motores de ignición de chispa certificados para el modelo 2005 y más tarde, debe encontrar el juego de estándares similar adelante por los Estados Unidos. EPA. MTD debe garantizar el sistema de control de emisiones de su motor por el período de tiempo indicado más abajo, siempre y cuando no haya existido uso incorrecto, negligencia ni mantenimiento inadecuado de su motor pequeño para equipo todo terreno.

El sistema de control de emisiones puede incluir piezas como, por ejemplo, el carburador, sistema de inyección de combustible, el sistema de encendido, el catalizador, los depósitos de combustible, abastece de combustible líneas, gorras de combustible, válvulas, latas, filtros, mangueras de vapor, abrazaderas, conectores y otros componentes relacionados con las emisiones.

Donde exista una condición cubierta por la garantía, MTD reparará su motor pequeño para equipo todo terreno sin costo alguno incluyendo el diagnóstico, las piezas y la mano de obra.

COBERTURA DE LA GARANTÍA DEL FABRICANTE:

Este sistema de control de emisiones se garantiza por el término de dos años. Si alguna pieza de su motor relacionada con las emisiones es defectuosa, MTD reparará o sustituirá dicha pieza.

RESPONSABILIDADES DEL PROPIETARIO SEGÚN LA GARANTÍA:

Como propietario de un motor pequeño de equipo todo terreno, usted es responsable de realizar el mantenimiento necesario que figura en el manual del propietario. MTD le recomienda que conserve todos los recibos que cubren los servicios de mantenimiento del motor pequeño para equipo todo terreno, no obstante lo cual MTD no podrá denegar el cumplimiento de la garantía únicamente por la falta de recibos o por su imposibilidad de asegurar que se realizarán todos los servicios de mantenimiento programado.

Como propietario del motor pequeño para equipo todo terreno, sin embargo, usted también debe saber que MTD puede denegar la cobertura de la garantía si su motor pequeño para equipo todo terreno o una pieza del mismo fallan debido a uso incorrecto, negligencia, mantenimiento indebido o a modificaciones no aprobadas.

Usted es responsable de presentar la cortadora de césped al centro de distribución o de mantenimiento de MTD CONSUMER GROUP, INC. tan pronto como apareciera el problema. Las reparaciones cubiertas por la garantía se deben llevar a cabo en un lapso razonable que no exceda de 30 días. Si desea realizar alguna consulta con respecto a la cobertura de la garantía, debe ponerse en contacto con su distribuidor local de MTD. Para comunicarse con la Línea de Asistencia al Cliente de Distribuidores de MTD, llame al número (877) 282-8684.

REQUERIMIENTOS DE GARANTÍA SOBRE DEFECTOS PARA MOTORES PEQUEÑOS DE EQUIPO TODO TERRENO DE 1995 Y VERSIONES POSTERIORES:

Esta sección se aplica a motores pequeños de equipo todo terreno de 1995 y versiones posteriores. El período de garantía comienza a partir de la fecha en que el motor o el equipo se entregan al comprador final.

(a) Cobertura de la garantía contra emisiones generales

MTD garantiza al comprador final y a cada comprador subsiguiente que el motor:

- (1) ha sido diseñado, construido y equipado de manera que cumpla con todas las regulaciones vigentes adoptadas por el Departamento de los Recursos de Aire en virtud a su autoridad conferida en los capítulos 1 y 2, Parte 5, División 26 del Código de Salud y Seguridad; y
- (2) está libre de defectos en los materiales y en la mano de obra que causen la falla de una pieza bajo garantía que sea idéntica en todos los aspectos materiales a la pieza como aparece descrita en la aplicación del fabricante del motor para certificación por un período de dos años.

(b) La garantía sobre piezas relacionadas con emisiones se interpretará de la siguiente manera:

- (1) Cualquier pieza cubierta por garantía que no esté programada para su reemplazo según el mantenimiento requerido en las instrucciones escritas de la Subsección (c) debe estar garantizada por un período de garantía definido en la Subsección (a) (2). Si la pieza falla durante el período de cobertura de la garantía, la misma será reparada o reemplazada por MTD de acuerdo con la Subsección (4) a continuación. Cualquier pieza reparada o reemplazada según la garantía se garantizará por el resto del período de garantía.
- (2) Cualquier pieza cubierta por garantía que esté programada solo para inspección regular en las instrucciones escritas de la Subsección (c) debe estar garantizada por un período de garantía definido en la Subsección (a) (2). Una declaración en dichas instrucciones por escrito al efecto de "reparación o reemplazo según sea necesario" no reducirá el período de cobertura de la garantía. Cualquier pieza reparada o reemplazada según la garantía se garantizará por el resto del período de garantía.

(3) Cualquier pieza garantizada que esté programada para reemplazo según el mantenimiento requerido de conformidad con las instrucciones escritas de la Subsección (c) se garantiza por el período de tiempo anterior a la primera fecha de reemplazo programada para esa pieza. Si la pieza falla antes del primer reemplazo programado, la misma será reparada o reemplazada por MTD de acuerdo con la Subsección (4) a continuación. Cualquier pieza reparada o reemplazada bajo garantía se garantizará por el resto del período anterior al primer reemplazo programado puntual para esa pieza.

(4) La reparación o el reemplazo de cualquier pieza garantizada de conformidad con las disposiciones de la garantía que aquí se estipula se debe realizar en un centro de garantía sin costo alguno para el propietario.

(5) Sin perjuicio de las disposiciones de la Subsección (4) anterior, los servicios o reparaciones cubiertos por la garantía deben ser suministrados por todos los centros de distribución de MTD que tengan la franquicia para realizar reparaciones y mantenimiento a los motores en cuestión.

(6) El propietario no debe afrontar ningún cargo para trabajos de diagnóstico que lleven a la conclusión de que una pieza bajo garantía presenta efectivamente defectos, siempre y cuando dicho diagnóstico sea llevado a cabo en un centro cubierto por la garantía.

(7) El fabricante del motor es responsable por daños causados a otros componentes de motores derivados de la falla bajo garantía de cualquier pieza garantizada.

(8) Durante todo el período de garantía del motor definido en la Subsección (a) (2), MTD mantendrá un suministro de piezas cubiertas por garantía suficiente para satisfacer la demanda esperada para tales piezas.

(9) Cualquier pieza de reemplazo se podrá usar para el cumplimiento del mantenimiento o reparaciones bajo garantía, y se suministrará sin cargo al propietario. Dicho uso no reducirá las obligaciones de garantía de MTD.

(10) No se podrán usar piezas adicionales ni modificadas que no estén exentas de acuerdo con el Departamento de los Recursos del Aire (Air Resources Board). El uso de piezas adicionales o modificadas no exentas será causa suficiente para anular un reclamo bajo garantía realizado de acuerdo con este artículo. El fabricante del motor no tendrá responsabilidad, en conformidad con este artículo, de garantizar fallas de piezas garantizadas que fueren causadas por el uso de una pieza no exenta adicional o modificada.

(c) MTD incluirá una copia de la siguiente lista de piezas bajo garantía contra emisiones con cada nuevo motor, utilizando las partes de la lista aplicables al motor.

- (1) Sistema de medición de combustible
 - Sistema de mejora para inicio en frío (cebado suave)
 - Carburador y componentes internos
 - Bomba de combustible
 - Depósito de combustible
- (2) Sistema de inducción de aire
 - Filtro de aire
 - Colector de entrada
- (3) Sistema de encendido
 - Bujía(s)
 - Sistema de encendido por magneto
- (4) Sistema de escape
 - Catalizador
 - SAI (válvula de Caña)
- (5) Componentes varios utilizados en el sistema anterior
 - Válvulas e interruptores de vacío, temperatura, posición sensibles al tiempo
 - Conectores y montajes
- (6) Control de Evaporative
 - Manguera de Combustible certificada para ARB evaporative emisión de 2006.
 - Abrazaderas de Manguera de Combustible
 - Gorra de combustible atada
 - Lata de carbón
 - Líneas de vapor

Busque el período de duración de emisiones importantes y la información de clasificación de aire en la etiqueta de emisiones de su motor

Los motores cuyo cumplimiento con los estándares de emisión Tier 2 de la Comisión de Recursos Ambientales de California (CARB) esté certificado deben exhibir la información relacionada con el período de duración de las emisiones y la clasificación de aire. Sears Brands Management Corporation ponen esta información a disposición del consumidor en nuestras etiquetas de emisiones.

El Período de Duración de las Emisiones describe el número de horas de tiempo real de funcionamiento para el cual se certifica que el motor cumple con las reglas de emisión, descontando el mantenimiento adecuado del mismo según las instrucciones de operación y mantenimiento. Se utilizan las siguientes categorías:

Moderado: Se certifica que el motor cumple con las reglas de emisión durante 125 horas de tiempo real de funcionamiento del motor.

Inmediato: Se certifica que el motor cumple con las reglas de emisión durante 250 horas de tiempo real de funcionamiento del motor.

Extendido: Se certifica que el motor cumple con las reglas de emisión durante 500 horas de tiempo real de funcionamiento del motor.

Por ejemplo, una cortadora de césped típica que se empuja desde atrás se usa entre 20 y 25 horas por año. Por lo tanto, el **Período de Duración de Emisiones** de un motor con una **clasificación intermedia** sería equivalente a entre 10 y 12 años.

La **clasificación de aire** es un número calculado para describir el nivel relativo de emisiones para un grupo de motores en particular. Cuanto menor sea la **clasificación de aire**, mayor es la limpieza del motor. La información se presenta de forma gráfica en la etiqueta de emisiones.

Después del 1 de julio de 2000, busque el período de cumplimiento de las reglas de emisiones en la etiqueta de cumplimiento de las reglas de emisiones del motor

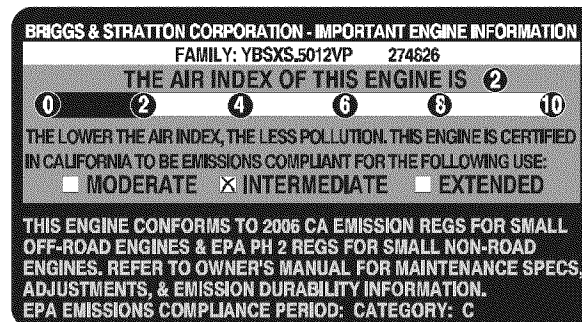
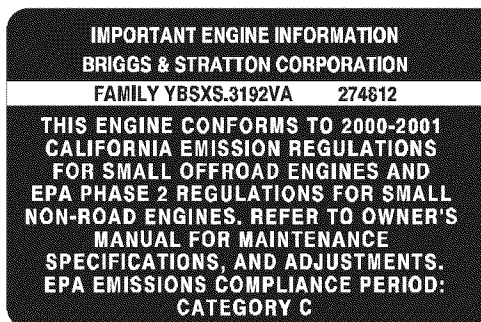
Después del 1 de julio de 2000 se certificará que determinados motores Sears Brands Management Corporation cumplen con los estándares de emisiones de la fase 2 de la Agencia de Protección Ambiental de los Estados Unidos (USEPA). Para los motores certificados para la etapa 2, el período de cumplimiento con las reglas de emisiones al cual se hace referencia en la etiqueta de cumplimiento con las reglas de emisiones indica el número de horas de funcionamiento para el cual se ha demostrado que el motor cumple con los requerimientos federales de emisión.

Para los motores con desplazamiento inferior a 225 cc, Categoría C = 125 horas, B = 250 horas y A = 500 horas.

Para los motores con desplazamiento de 225 cc o más, Categoría C = 250 horas, B = 500 horas y A = 1000 horas.

El desplazamiento de los motores de la serie modelo 150112 es 249 cc.

La presente es una representación genérica de la etiqueta de emisión que se encuentra generalmente en un motor certificado.



ACUERDO DE PROTECCIÓN PARA REPARACIONES

Felicitaciones por haber realizado una adquisición inteligente. El producto Craftsman® que ha adquirido está diseñado y fabricado para brindar muchos años de funcionamiento confiable. Pero como todos los productos a veces puede requerir de reparaciones. Es en ese momento cuando el disponer de un Acuerdo de protección para reparaciones le puede ahorrar dinero y problemas.

A continuación se detallan los puntos incluidos en el Acuerdo:

- ☑ **Servicio experto** prestado por nuestros 10,000 especialistas en reparaciones profesionales
- ☑ **Servicio ilimitado sin cargo** para las piezas y la mano de obra en todas las reparaciones cubiertas
- ☑ **Reemplazo del producto** hasta 1500 dólares si no es posible reparar el producto cubierto
- ☑ **Descuento de 25%** del precio normal del servicio y de las piezas relacionadas con el mismo que no estén cubiertas por el acuerdo; además, 25% del precio normal de la verificación de mantenimiento preventivo
- ☑ **Ayuda rápida por teléfono** - lo llamamos Resolución Rápida – el apoyo telefónico de un Chamusca al representante. Piense en nosotros como el manual “de un dueño hablador.”

Una vez adquirido el Acuerdo, puede programar el servicio con tan sólo realizar una llamada telefónica. Puede llamar en cualquier momento del día o de la noche o programar un servicio en línea.

El Acuerdo de Protección de Reparación es una compra sin riesgo. Si usted anula por alguna razón durante el período de garantía de producto, proporcionaremos un reembolso lleno. O, un reembolso prorrateado en cualquier momento después del período de garantía de producto expira. ¡Adquiera hoy su acuerdo de protección para reparaciones!

Se aplican determinadas limitaciones y exclusiones. Para obtener información adicional y precios en los Estados Unidos llame al 1-800-827-6655.

El *Coverage en Canadá varía en algunos artículos. Para detalles llenos la llamada Chamusca Canadá en 1-800-361-6665.

Servicio de instalación de Sears

Si desea solicitar la instalación profesional de Sears de aparatos domésticos, dispositivos para abrir portones, calentadores de agua y otros artículos domésticos importantes, en los Estados Unidos o Canadá llame al **1-800-4-MY-HOME®**.

Get it fixed, at your home or ours!

Your Home

For troubleshooting, product manuals and expert advice:



www.managemylife.com

For repair – **in your home** – of **all** major brand appliances, lawn and garden equipment, or heating and cooling systems, **no matter who made it, no matter who sold it!**

For the replacement parts, accessories and owner's manuals that you need to do-it-yourself.

For Sears professional installation of home appliances and items like garage door openers and water heaters.

1-800-4-MY-HOME[®] (1-800-469-4663)

Call anytime, day or night (U.S.A. and Canada)

www.sears.com www.sears.ca

Our Home

For repair of carry-in items like vacuums, lawn equipment, and electronics, call anytime for the location of your nearest

Sears Parts & Repair Service Center

1-800-488-1222 (U.S.A.)

www.sears.com

1-800-469-4663 (Canada)

www.sears.ca

To purchase a protection agreement on a product serviced by Sears:

1-800-827-6655 (U.S.A.)

1-800-361-6665 (Canada)

Para pedir servicio de reparación a domicilio, y para ordenar piezas:

1-888-SU-HOGAR[®]

(1-888-784-6427)

www.sears.com

Au Canada pour service en français:

1-800-LE-FOYER^{MC}

(1-800-533-6937)

www.sears.ca

sears

® Registered Trademark / TM Trademark of KCD IP, LLC in the United States, or Sears Brands, LLC in other countries

® Marca Registrada / TM Marca de Fábrica de KCD IP, LLC en Estados Unidos, o Sears Brands, LLC in otros países

^{MC} Marque de commerce / ^{MD} Marque déposée de Sears Brands, LLC