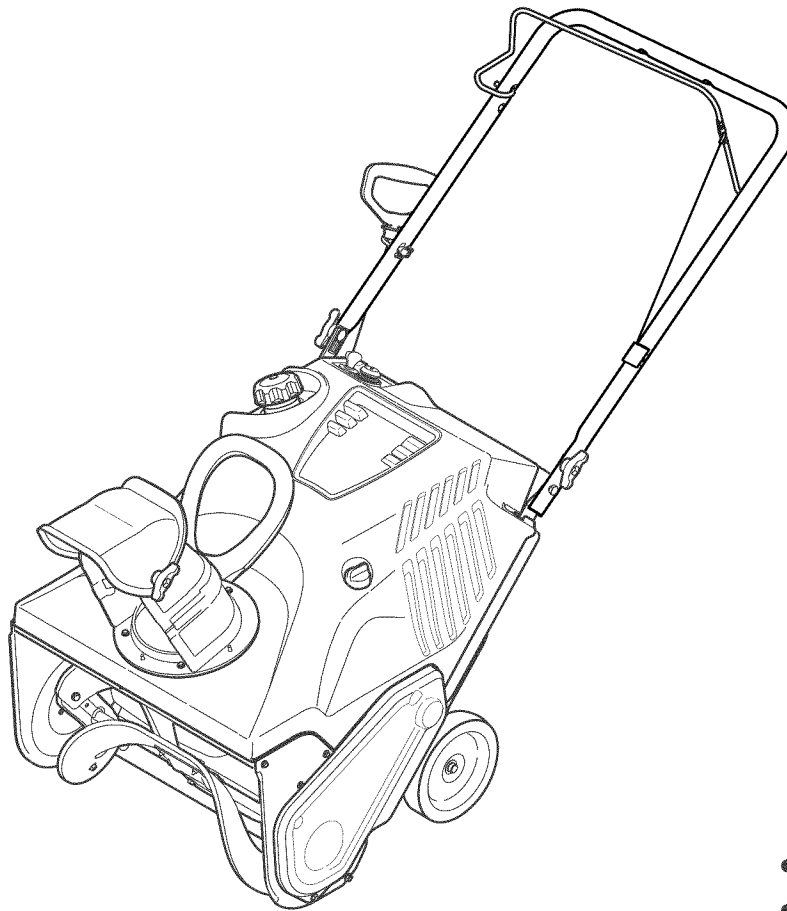


Operator's Manual



21" SNOW THROWER

Model No. 247.9854



CAUTION: Before using this product, read this manual and follow all safety rules and operating instructions.

- SAFETY
- ASSEMBLY
- OPERATION
- MAINTENANCE
- PARTS LIST
- ESPAÑOL

Sears Brands Management Corporation, Hoffman Estates, IL 60179, U.S.A.

Visit our website: www.craftsman.com

FORM NO. 769-08256A
7/19/2012

TABLE OF CONTENTS

Warranty Statement.....	Page 2	Trouble Shooting.....	Page 19
Safe Operation Practices.....	Pages 3-6	Parts List.....	Pages 20-31
Assembly	Pages 7-9	Labels	Page 32
Operation.....	Pages 10-12	Repair Protection Agreement	Page 36
Service and Maintenance.....	Pages 13-17	Español	Page 37
Off-Season Storage.....	Page 18	Service Numbers	Back Cover

WARRANTY STATEMENT

CRAFTSMAN TWO YEAR FULL WARRANTY

FOR TWO YEARS from the date of purchase, this product is warranted against any defects in material or workmanship. Defective product will receive free repair or free replacement if repair is unavailable.

This warranty is void if this product is ever used while providing commercial services or if rented to another person.

For warranty coverage details to obtain repair or replacement, visit the web site: www.craftsman.com

This warranty covers ONLY defects in material and workmanship. Warranty coverage does NOT include:

- Expendable items that can wear out from normal use within the warranty period, including but not limited to augers, auger paddles, drift cutters, skid shoes, shave plate, shear pins, spark plug, air cleaner, belts, and oil filter.
- Standard maintenance servicing, oil changes, or tune-ups.
- Tire replacement or repair caused by punctures from outside objects, such as nails, thorns, stumps, or glass.
- Tire or wheel replacement or repair resulting from normal wear, accident, or improper operation or maintenance.
- Repairs necessary because of operator abuse, including but not limited to damage caused by over-speeding the engine, or from impacting objects that bend the frame, auger shaft, etc.
- Repairs necessary because of operator negligence, including but not limited to, electrical and mechanical damage caused by improper storage, failure to use the proper grade and amount of engine oil, or failure to maintain the equipment according to the instructions contained in the operator's manual.
- Engine (fuel system) cleaning or repairs caused by fuel determined to be contaminated or oxidized (stale). In general, fuel should be used within 30 days of its purchase date.
- Normal deterioration and wear of the exterior finishes, or product label replacement.

This warranty gives you specific legal rights, and you may also have other rights which vary from state to state.

Sears Brands Management Corporation, Hoffman Estates, IL 60179

PRODUCT SPECIFICATIONS

Engine Oil Type:	SAE 5W-30
Engine Oil Capacity:	20 ounces
Fuel Capacity:	2 Quarts
Spark Plug:	F6RTC
Spark Plug Gap:	.020"-.030"

MODEL NUMBER

Model Number
Serial Number
Date of Purchase

Record the model number, serial number
and date of purchase above

SAFETY INSTRUCTIONS

WARNING

This symbol points out important safety instructions which, if not followed, could endanger the personal safety and/or property of yourself and others. Read and follow all instructions in this manual before attempting to operate this machine. Failure to comply with these instructions may result in personal injury. When you see this symbol, HEED ITS WARNING!

WARNING

CALIFORNIA PROPOSITION 65

Engine Exhaust, some of its constituents, and certain vehicle components contain or emit chemicals known to State of California to cause cancer and birth defects or other reproductive harm.

DANGER

This machine was built to be operated according to the safe operation practices in this manual. As with any type of power equipment, carelessness or error on the part of the operator can result in serious injury. This machine is capable of amputating fingers, hands, toes and feet and throwing debris. Failure to observe the following safety instructions could result in serious injury or death.

WARNING

Your Responsibility—Restrict the use of this power machine to persons who read, understand and follow the warnings and instructions in this manual and on the machine.

SAVE THESE INSTRUCTIONS!

TRAINING

- Read, understand, and follow all instructions on the machine and in the manual(s) before attempting to assemble and operate. Failure to do so can result in serious injury to the operator and/or bystanders. Keep this manual in a safe place for future and regular reference and for ordering replacement parts. To order replacement parts call, 1-800-4MY-HOME.
- Be familiar with all controls and their proper operation. Know how to stop the machine and disengage them quickly.
- Never allow children under 14 years of age to operate this machine. Children 14 and over should read and understand the instructions and safe operation practices in this manual and on the machine and be trained and supervised by an adult.
- Never allow adults to operate this machine without proper instruction.
- Thrown objects can cause serious personal injury. Plan your snow-throwing pattern to avoid discharge of material toward roads, bystanders and the like.
- Keep bystanders, pets and children at least 75 feet from the machine while it is in operation. Stop machine if anyone enters the area.
- Exercise caution to avoid slipping or falling, especially when operating in reverse.

PREPARATION

Thoroughly inspect the area where the equipment is to be used. Remove all doormats, newspapers, sleds, boards, wires and other foreign objects, which could be tripped over or thrown by the auger/impeller.

- Always wear safety glasses or eye shields during operation and while performing an adjustment or repair to protect your eyes. Thrown objects which ricochet can cause serious injury to the eyes.
- Do not operate without wearing adequate winter outer garments. Do not wear jewelry, long scarves or other loose clothing, which could become entangled in moving parts. Wear footwear which will improve footing on slippery surfaces.
- Use a grounded three-wire extension cord and receptacle for all machines with electric start engines.
- Disengage all control levers before starting the engine.
- Never attempt to make any adjustments while engine is running, except where specifically recommended in the operator's manual.
- Let engine and machine adjust to outdoor temperature before starting to clear snow.

SAFETY INSTRUCTIONS

Safe Handling of Gasoline

To avoid personal injury or property damage use extreme care in handling gasoline. Gasoline is extremely flammable and the vapors are explosive. Serious personal injury can occur when gasoline is spilled on yourself or your clothes which can ignite. Wash your skin and change clothes immediately.

- Use only an approved gasoline container.
- Extinguish all cigarettes, cigars, pipes and other sources of ignition.
- Never fuel machine indoors.
- Never remove gas cap or add fuel while the engine is hot or running.
- Allow engine to cool at least two minutes before refueling.
- Never overfill fuel tank. Fill tank to no more than ½ inch below bottom of filler neck to provide space for fuel expansion.
- Replace gasoline cap and tighten securely.
- If gasoline is spilled, wipe it off the engine and equipment. Move machine to another area. Wait 5 minutes before starting the engine.
- Never store the machine or fuel container inside where there is an open flame, spark or pilot light (e.g. furnace, water heater, space heater, clothes dryer etc.).
- Allow machine to cool at least 5 minutes before storing.
- Never fill containers inside a vehicle or on a truck or trailer bed with a plastic liner. Always place containers on the ground away from your vehicle before filling.
- If possible, remove gas-powered equipment from the truck or trailer and refuel it on the ground. If this is not possible, then refuel such equipment on a trailer with a portable container, rather than from a gasoline dispenser nozzle.
- Keep the nozzle in contact with the rim of the fuel tank or container opening at all times until fueling is complete. Do not use a nozzle lock-open device.

OPERATION

- Do not put hands or feet near rotating parts, in the auger/impeller housing or chute assembly. Contact with the rotating parts can amputate hands and feet.
- The auger/impeller control lever is a safety device. Never bypass its operation. Doing so makes the machine unsafe and may cause personal injury.
- The control levers must operate easily in both directions and automatically return to the disengaged position when released.
- Never operate with a missing or damaged chute assembly. Keep all safety devices in place and working.
- Never run an engine indoors or in a poorly ventilated area. Engine exhaust contains carbon monoxide, an odorless and deadly gas.
- Do not operate machine while under the influence of alcohol or drugs.
- Muffler and engine become hot and can cause a burn. Do not touch. Keep children away.

- Exercise extreme caution when operating on or crossing gravel surfaces. Stay alert for hidden hazards or traffic.
- Exercise caution when changing direction and while operating on slopes.
- Plan your snow-throwing pattern to avoid discharge towards windows, walls, cars etc. Thus, avoiding possible property damage or personal injury caused by a ricochet.
- Prevent possible property damage or personal injury from object ricochet by planning your snow throwing pattern to avoid discharge towards windows, walls, cars, etc.
- Do not overload machine capacity by attempting to clear snow at too fast of a rate.
- Never operate this machine without good visibility or light. Always be sure of your footing and keep a firm hold on the handles. Walk, never run.
- Disengage power to the auger/impeller when transporting or not in use.
- Never operate machine at high transport speeds on slippery surfaces. Look down and behind and use care when backing up.
- If the machine should start to vibrate abnormally, stop the engine, disconnect the spark plug wire and ground it against the engine. Inspect thoroughly for damage. Repair any damage before starting and operating.
- Disengage all control levers and stop engine before you leave the operating position (behind the handles). Wait until the auger/impeller comes to a complete stop before unclogging the chute assembly, making any adjustments, or inspections.
- Never put your hand in the discharge or collector openings. Do not unclog chute assembly while engine is running. Shut off engine and remain behind handles until all moving parts have stopped before unclogging.
- Use only attachments and accessories approved by the manufacturer (e.g. wheel weights, tire chains, cabs etc.).
- When starting engine, pull cord slowly until resistance is felt, then pull rapidly. Rapid retraction of starter cord (kickback) will pull hand and arm toward engine faster than you can let go. Broken bones, fractures, bruises or sprains could result.
- Call 1-800-4MY-HOME for the location of the nearest Sears Parts & Repair Service Center.

CLEARING A CLOGGED DISCHARGE CHUTE

Hand contact with the rotating impeller inside the discharge chute is the most common cause of injury associated with snow throwers. Never use your hand to clean out the discharge chute.

To clear the chute:

1. SHUT THE ENGINE OFF!
2. Wait 10 seconds to be sure the impeller blades have stopped rotating.
3. Always use a clean-out tool, not your hands.

SAFETY INSTRUCTIONS

MAINTENANCE & STORAGE

- Never tamper with safety devices. Check their proper operation regularly. Refer to the maintenance and adjustment sections of this manual.
- Before cleaning, repairing, or inspecting machine disengage all control levers and stop the engine. Wait until the auger/impeller come to a complete stop. Disconnect the spark plug wire and ground against the engine to prevent unintended starting.
- Check bolts and screws for proper tightness at frequent intervals to keep the machine in safe working condition. Also, visually inspect machine for any damage.
- Do not change the engine governor setting or over-speed the engine. The governor controls the maximum safe operating speed of the engine.
- Snow thrower shave plates and skid shoes are subject to wear and damage. For your safety protection, frequently check all components and replace with original equipment manufacturer's (OEM) parts only as listed in the Parts pages of this Operator's Manual. Use of parts which do not meet the original equipment specifications may lead to improper performance and compromise safety!
- Check control levers periodically to verify they engage and disengage properly and adjust, if necessary. Refer to the adjustment section in this operator's manual for instructions.
- Maintain or replace safety and instruction labels, as necessary.
- Observe proper disposal laws and regulations for gas, oil, etc. to protect the environment.
- Prior to storing, run machine a few minutes to clear snow from machine and prevent freeze up of auger/impeller.
- Never store the machine or fuel container inside where there is an open flame, spark or pilot light such as a water heater, furnace, clothes dryer etc.
- Always refer to the operator's manual for proper instructions on off-season storage.
- Check fuel line, tank, cap, and fittings frequently for cracks or leaks. Replace if necessary.
- Do not crank engine with spark plug removed.
- According to the Consumer Products Safety Commission (CPSC) and the U.S. Environmental Protection Agency (EPA), this product has an *Average Useful Life* of seven (7) years, or 60 hours of operation. At the end of the *Average Useful Life* have the machine inspected annually by an authorized service dealer to ensure that all mechanical and safety systems are working properly and not worn excessively. Failure to do so can result in accidents, injuries or death.

DO NOT MODIFY ENGINE

To avoid serious injury or death, do not modify engine in any way. Tampering with the governor setting can lead to a runaway engine and cause it to operate at unsafe speeds. Never tamper with factory setting of engine governor.

NOTICE REGARDING EMISSIONS

Engines which are certified to comply with California and federal EPA emission regulations for SORE (Small Off Road Equipment) are certified to operate on regular unleaded gasoline, and may include the following emission control systems: Engine Modification (EM), Oxidizing Catalyst (OC), Secondary Air Injection (SAI) and Three Way Catalyst (TWC) if so equipped.

SPARK ARRESTOR

WARNING

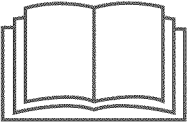



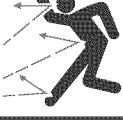

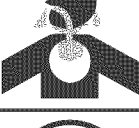


This machine is equipped with an internal combustion engine and should not be used on or near any unimproved forest-covered, brush-covered or grass-covered land unless the engine's exhaust system is equipped with a spark arrestor meeting applicable local or state laws (if any)

If a spark arrestor is used, it should be maintained in effective working order by the operator. In the State of California the above is required by law (Section 4442 of the California Public Resources Code). Other states may have similar laws. Federal laws apply on federal lands. A spark arrestor for the muffler is available through your nearest Sears Parts and Repair Service Center.

SAFETY INSTRUCTIONS

SAFETY SYMBOLS

This page depicts and describes safety symbols that may appear on this product. Read, understand, and follow all instructions on the machine before attempting to assemble and operate.

Symbol	Description
	READ THE OPERATOR'S MANUAL(S) Read, understand, and follow all instructions in the manual(s) before attempting to assemble and operate
	WARNING— ROTATING BLADES Keep hands out of inlet and discharge openings while machine is running. There are rotating blades inside
	WARNING— ROTATING BLADES Keep hands out of inlet and discharge openings while machine is running. There are rotating blades inside
	WARNING— ROTATING AUGER Do not put hands or feet near rotating parts, in the auger/impeller housing or chute assembly. Contact with the rotating parts can amputate hands and feet.
	WARNING—THROWN OBJECTS This machine may pick up and throw and objects which can cause serious personal injury.
	WARNING—GASOLINE IS FLAMMABLE Allow the engine to cool at least two minutes before refueling.
	WARNING— CARBON MONOXIDE Never run an engine indoors or in a poorly ventilated area. Engine exhaust contains carbon monoxide, an odorless and deadly gas.
	WARNING— ELECTRICAL SHOCK Do not use the engine's electric starter in the rain
	WARNING— HOT SURFACE Engine parts, especially the muffler, become extremely hot during operation. Allow engine and muffler to cool before touching.

ASSEMBLY

NOTE: All references to the left or right side of the snow thrower are from the operator's position. Any exceptions will be noted.

UNPACKING THE SNOW THROWER

1. Open the top of the carton.
2. Cut down the corners on the front of the carton and fold down the front side.
3. Pull the snow thrower out of the carton. Be sure not to damage the chute, or any cables attached to the chute, which is shipped under the shroud on the backside of the carton.

ASSEMBLY

Positioning the Upper Handle

1. Remove the wing knobs and carriage bolts from the top of the lower handle. See Figure 1. It is not necessary to remove the shoulder screw and flange lock nut below the wing knob and carriage bolt.

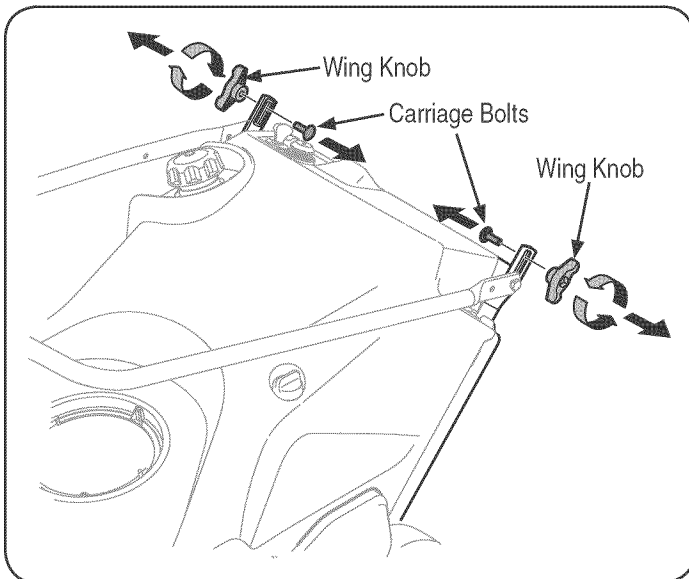


Figure 1

2. Pivot the upper handle into the operating position. Be sure not to pinch any of the cables in the process. See Figure 2.

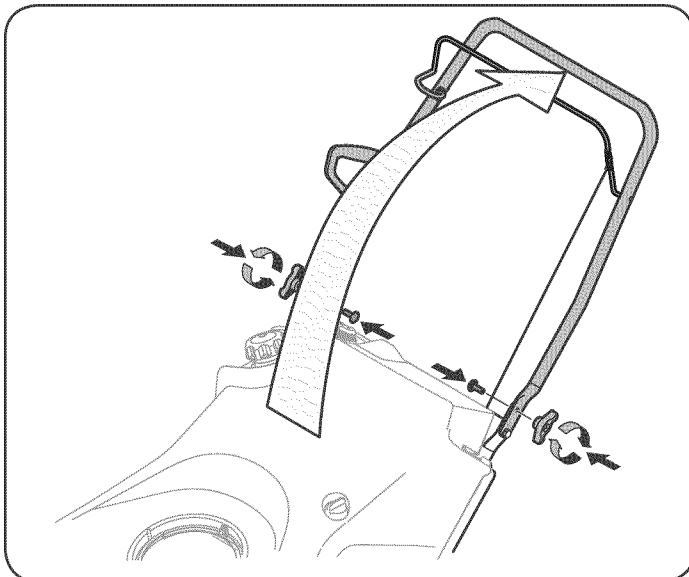


Figure 2

3. Tighten the previously removed hardware to secure the handle in place. See Figure 2.

Installing the Chute

1. Place the chute handle on the lower chute as shown in Figure 3. Be certain that the handle is aligned in the channel on the chute and the tabs snap into place.

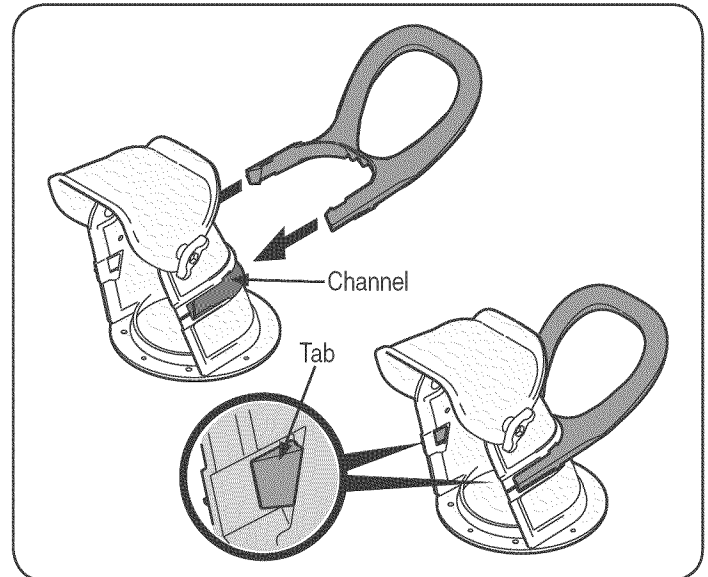


Figure 3

2. Remove the screws in the chute base. See Figure 4.

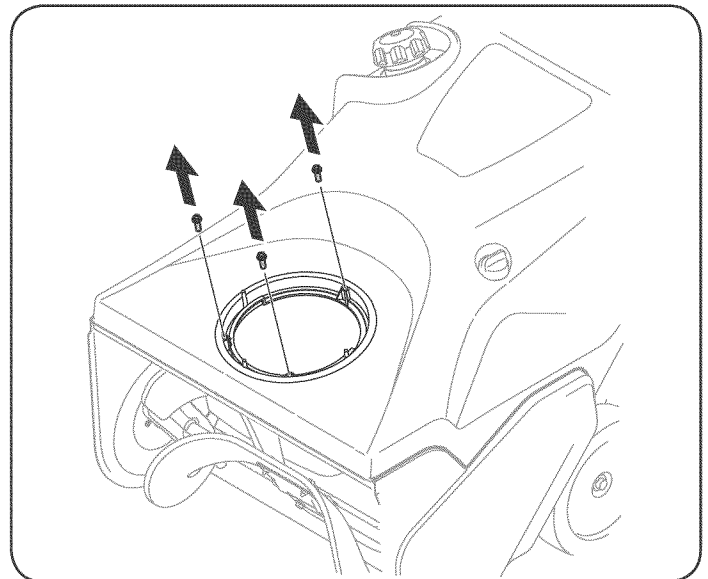


Figure 4

ASSEMBLY

- Align the holes in the chute base with the holes in the lower chute and secure with the previously removed screws. See Figure 5.

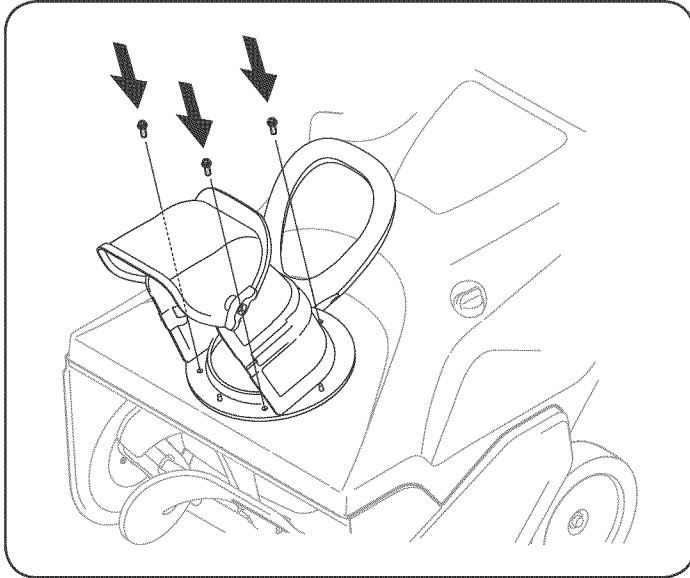


Figure 5

Installing the Recoil Starter Handle

- Remove the eye bolt and handle knob from the manual bag.
- Place the eye bolt and handle knob on the upper handle as shown in Figure 6. Do not fully tighten the hardware until instructed to do so.

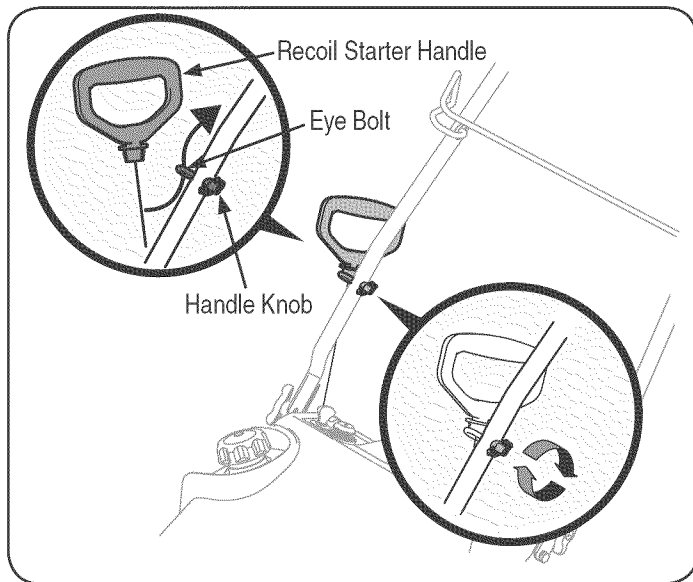


Figure 6

NOTE: The opening of the eye bolt should face toward the back of the snow thrower.

- Slowly pull the recoil starter handle up towards the eye bolt.
- Slip the recoil starter rope into the eye bolt from the back side of the snow thrower. See Figure 6.
- Securely tighten the eye bolt and handle knob.

SET-UP

Fuel Recommendations

Use automotive gasoline (unleaded or low leaded to minimize combustion chamber deposits) with a minimum of 87 octane. Gasoline with up to 10% ethanol or 15% MTBE (Methyl Tertiary Butyl Ether) can be used. Never use an oil/gasoline mixture or dirty gasoline. Avoid getting dirt, dust, or water in the fuel tank. DO NOT use E85 gasoline.

- Refuel in a well-ventilated area with the engine stopped. Do not smoke or allow flames or sparks in the area where the engine is refueled or where gasoline is stored.
- Do not overfill the fuel tank. After refueling, make sure the tank cap is closed properly and securely.
- Be careful not to spill fuel when refueling. Spilled fuel or fuel vapor may ignite. If any fuel is spilled, make sure the area is dry before starting the engine.
- Avoid repeated or prolonged contact with skin or breathing of vapor.

Adding Fuel

⚠ WARNING

Use extreme care when handling gasoline. Gasoline is extremely flammable and the vapors are explosive. Never fuel the machine indoors or while the engine is hot or running. Extinguish cigarettes, cigars, pipes and other sources of ignition.

⚠ WARNING

Always keep hands and feet clear of equipment moving parts. Do not use a pressurized starting fluid. Vapors are flammable.

- Remove the gas cap, check the fuel level and add fuel if necessary.

ASSEMBLY

Checking and Adding Oil

⚠ CAUTION

The engine is shipped without oil in the engine. You must fill the engine with oil before operating. Running the engine with insufficient oil can cause serious engine damage and void the product warranty.

1. Place the snow thrower on a flat, level surface.
2. Remove the oil filler cap/dipstick and wipe the dipstick clean. See Figure 7.

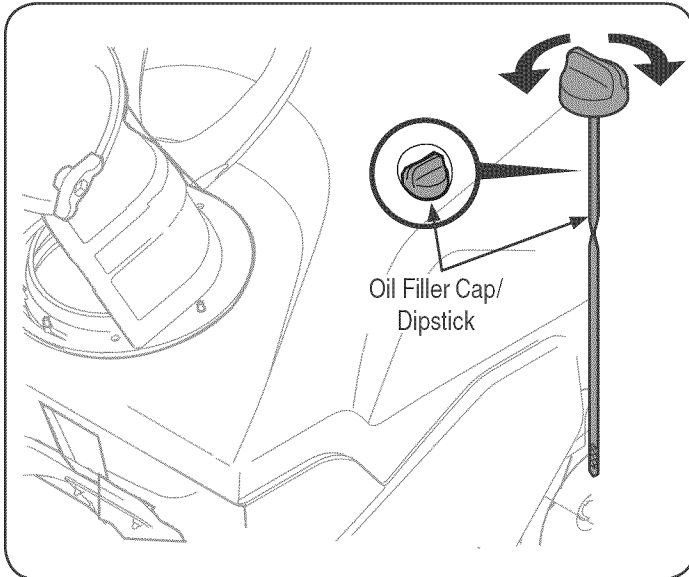


Figure 7

NOTE: Do not use synthetic oil for the first five hours of use. Use oil provided.

3. Insert the cap/dipstick into the oil filler neck, but do not screw it in.

4. Remove the oil filler cap/dipstick. If the level is low, slowly add oil until oil level registers between high (H) and low (L), Figure 8.

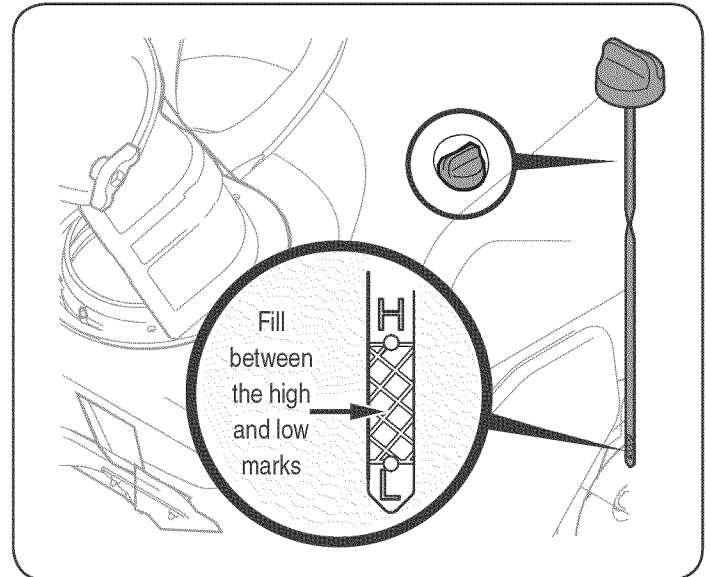


Figure 8

NOTE: Do not overfill. Overfilling with oil may cause smoking, hard starting, or spark plug fouling.

5. Replace and tighten cap/dipstick firmly before starting engine.

NOTE: DO NOT allow oil level to fall below the "L" mark on the dipstick. Doing so may result in equipment malfunctions or damage.

NOTE: To change the oil on your engine, see the Maintenance Section of this manual.

OPERATION

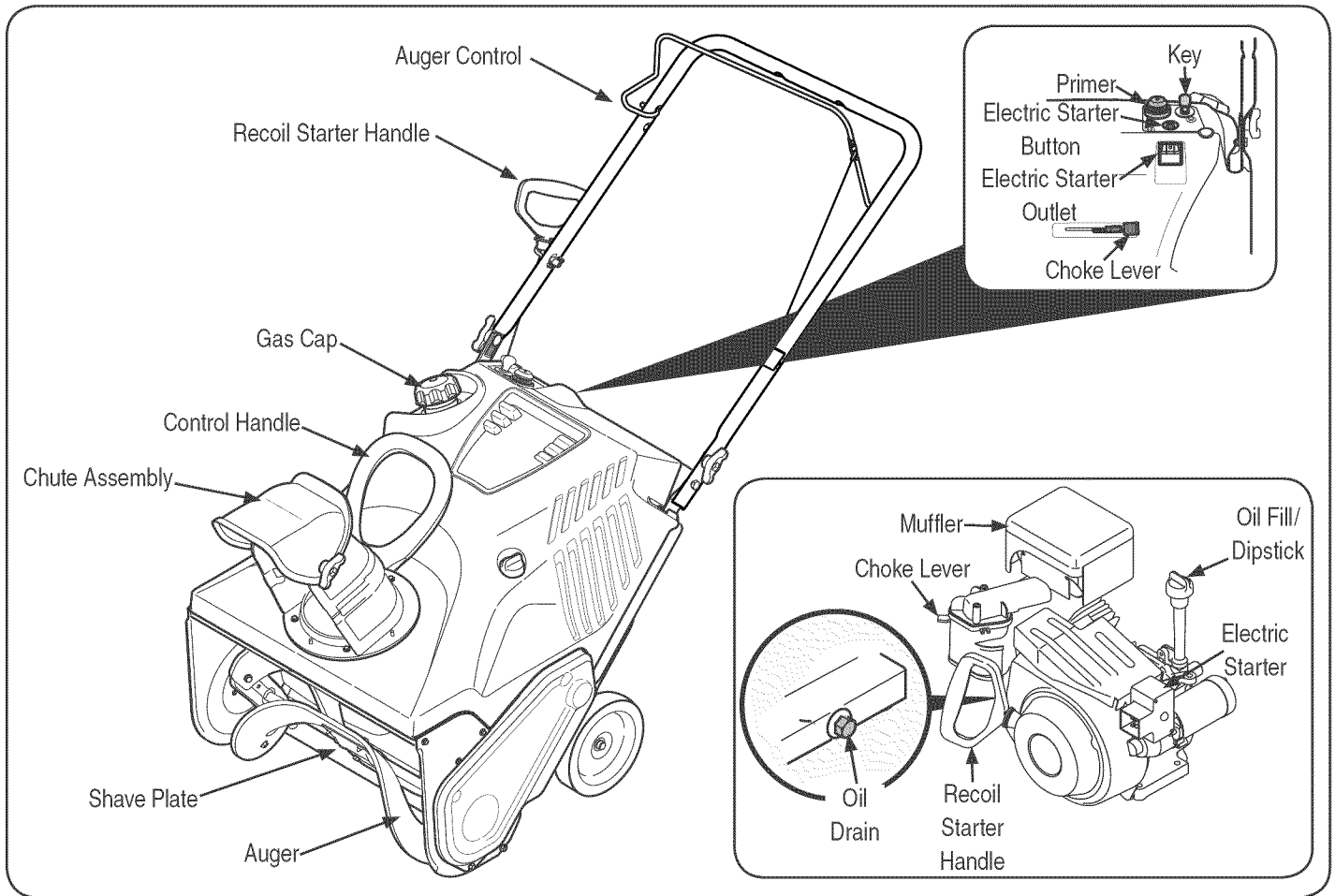
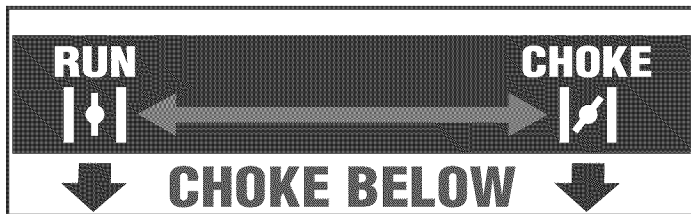




Figure 9

Now that you have set up your snow thrower, it's important to become acquainted with its controls and features. Refer to Figure 9.

CHOKE CONTROL



Activating the choke control closes the choke plate on carburetor and aids in starting engine. The choke lever slides between the RUN  and CHOKE  positions.

PRIMER

Pressing the primer, making sure to cover the vent hole when pushing, forces fuel directly into the engine's carburetor to aid in cold-weather starting.



RECOIL STARTER HANDLE

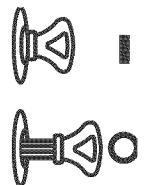
The recoil starter handle is used to start the engine.

GAS CAP

Remove the gas cap to add fuel.

KEY

The key is a safety device. It must be fully inserted in order for the engine to start. Remove the key when the snow thrower is not in use.



NOTE: Do not turn the key in an attempt to start the engine. Doing so may cause it to break.

AUGER

When engaged, the auger rotation draws snow into the auger housing and throws it out the discharge chute. Rubber paddles on the auger also aid in propelling the snow thrower as they come in contact with the pavement.

Meets ANSI Safety Standards

Craftsman Snow Throwers conform to the safety standard of the American National Standards Institute (ANSI).

OPERATION

AUGER CONTROL

Located on the upper handle, the auger control handle is used to engage and disengage drive to the auger. Squeeze the control handle against the upper handle to engage the auger; release it to disengage.

CHUTE ASSEMBLY

Rotate the discharge chute to the left or right using the control handle. The pitch of the discharge chute controls the angle at which the snow is thrown. Loosen the wing knob on the side of the discharge chute before pivoting the discharge chute upward or downward. Retighten the knob once the desired position has been achieved.

SHAVE PLATE

The shave plate maintains contact with the pavement as the snow thrower is propelled, allowing snow close to the pavement's surface to be discharged.

ELECTRIC STARTER OUTLET

Requires the use of a three-prong outdoor extension cord (not included) and a 120V power source/wall outlet.

ELECTRIC STARTER BUTTON

Pressing the electric starter button engages the engine's electric starter when plugged into a 120V power source.

OIL FILL/DIPSTICK

Engine oil level can be checked and oil added through the oil fill.

OIL DRAIN

Engine oil can be drained through the oil drain.

MUFFLER

Engine exhaust exits the engine via the muffler.

BEFORE STARTING THE ENGINE

⚠ WARNING

Read, understand and follow all the instructions and warnings on the machine and in this manual before operating.

STARTING THE ENGINE

⚠ WARNING

Always keep hands and feet clear of moving parts. Do not use a pressurized starting fluid. Vapors are flammable.

⚠ WARNING

To avoid carbon monoxide poisoning, make sure the engine is outdoors in a well-ventilated area.

1. Make certain both the auger control is in the disengaged (released) position.
2. Insert ignition key into slot. Make sure it snaps into place. Do not attempt to turn the key. See Figure 10.

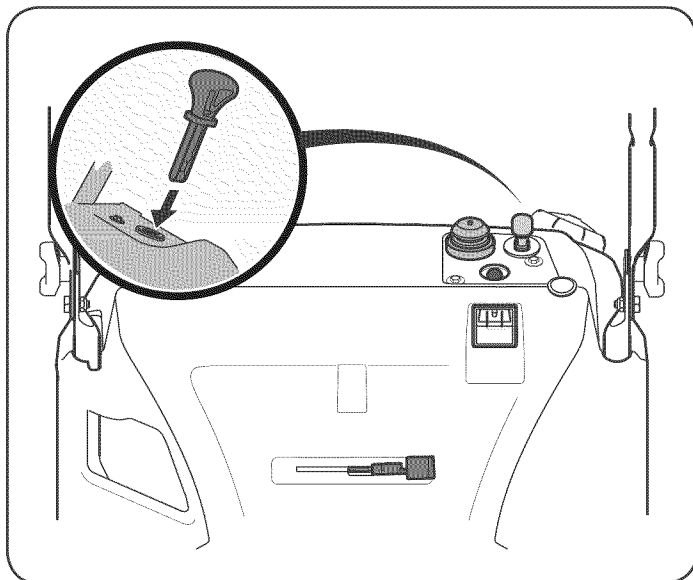


Figure 10

NOTE: The engine cannot start unless the key is fully inserted into the ignition switch.

OPERATION

Electric Starter

Determine that your home's wiring is a three-wire grounded system. Ask a licensed electrician if you are not certain.

If you have a grounded three-prong receptacle, proceed as follows:

1. Plug the extension cord into the outlet located on the engine's surface. Plug the other end of extension cord into a three-prong 120-volt, grounded, AC outlet in a well-ventilated area. See Figure 11.

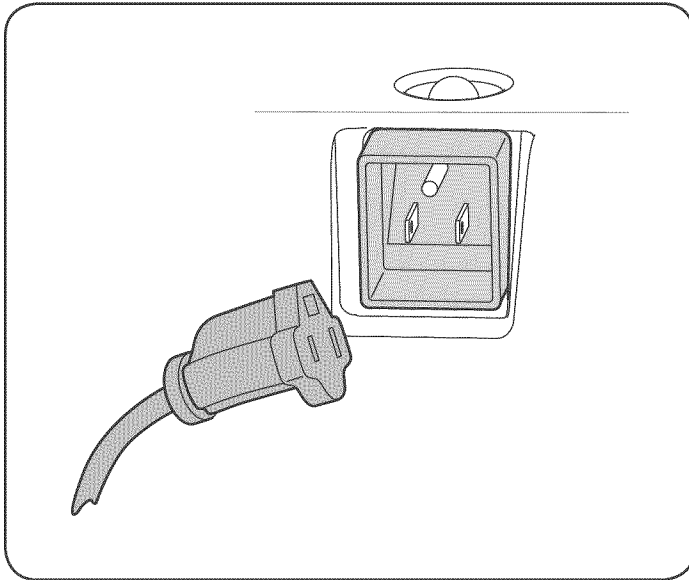










Figure 11

2. Push the choke lever to the CHOKE  position.
3. If the engine is warm, place the choke in the RUN  position instead of CHOKE .
4. Push the primer three (3) times, making sure to cover the vent hole when pushing.
5. If the engine is warm, push the primer button only once.
6. Push starter button to start engine.
7. Once the engine starts, release starter button.
8. Allow the engine to warm up several minutes, adjusting choke toward RUN  position. Wait until engine runs smoothly before each choke adjustment.
9. When disconnecting the extension cord, always unplug the end at the three-prong wall outlet before unplugging the opposite end from the snow thrower.

Recoil Starter

1. Push the choke lever to the CHOKE  position.
2. If the engine is warm, place the choke in the RUN  position instead of CHOKE .
3. Push the primer three (3) times, making sure to cover the vent hole when pushing.
4. If the engine is warm, push the primer button only once.
5. Grasp the recoil starter handle and slowly pull the rope out. At the point where it becomes slightly harder to pull the rope, slowly allow the rope to recoil.
6. Pull the starter handle with a firm, rapid stroke. Do not release the handle and allow it to snap back. Keep a firm hold on the starter handle and allow it to slowly recoil.
7. Allow the engine to warm up several minutes, adjusting choke toward RUN  position. Wait until engine runs smoothly before each choke adjustment.

STOPPING THE ENGINE

1. Run the engine for a few minutes before stopping to help dry off any moisture on the engine.
2. To stop the engine remove the key and store it in a safe place.
3. Wipe all the snow and moisture away from the engine controls area.

WARNING

Muffler, engine and surrounding areas become hot and can cause a burn. Be careful and do not touch when they are hot.

ENGAGING THE AUGER

Engage the auger by squeezing the auger control against the upper handle. Release the control to stop the auger.

ENGAGING THE DRIVE

Lift up slightly on the handle to allow the rubber paddles on the auger to contact the pavement and propel the snow thrower forward. Pushing downward on the handle will raise the auger off the ground and stop the forward motion.

NOTE: Excessive upward pressure on the handle will result in premature wear to the rubber auger paddles, which will not be covered by the warranty.

CLEARING A CLOGGED DISCHARGE CHUTE

Hand contact with the rotating impeller inside the discharge chute is the most common cause of injury associated with snow throwers. Never use your hand to clean out the discharge chute.

To clear the chute:

1. SHUT THE ENGINE OFF!
2. Wait 10 seconds to be sure the impeller blades have stopped rotating.
3. Always use a clean-out tool or stick, not your hands.

SERVICE AND MAINTENANCE

MAINTENANCE SCHEDULE

⚠ WARNING

Before performing any type of maintenance/service, disengage all controls and stop the engine. Wait until all moving parts have come to a complete stop. Disconnect spark plug wire and ground it against the engine to prevent unintended starting. Always wear safety glasses during operation or while performing any adjustments or repairs.

Follow the maintenance schedule given below. This chart describes service guidelines only. Use the Service Log column to keep track of completed maintenance tasks. **To locate the nearest Sears Service Center or to schedule service, simply contact Sears at 1-800-4-MY-HOME®.**

Interval	Item	Service	Service Log
Each use	1. Engine oil level. 2. Snow thrower and exhaust area.	1. Check 2. Clean	
1st 5 hours	1. Engine oil.	1. Change.	
Every 5 hours	1. Engine oil. 2. Exhaust area.	1. Check. 2. Clean.	
25 hours	1. Spark plug.	2. Check.	
Every season/50 hours	1. Engine oil	1. Change	
Every season/100 hours	1. Spark plug	1. Clean, replace, re-gap	
Every season/Before storage	1. Pivot points 2. Control handle 3. Extension spring	1. Lubricate 2. Lubricate 3. Lubricate	

ENGINE MAINTENANCE

⚠ CAUTION

Thoroughly wash your hands with soap and water as soon as possible after handling used oil.

Oil Recommendations

When adding oil to the engine, refer to the viscosity chart below (Figure 12).

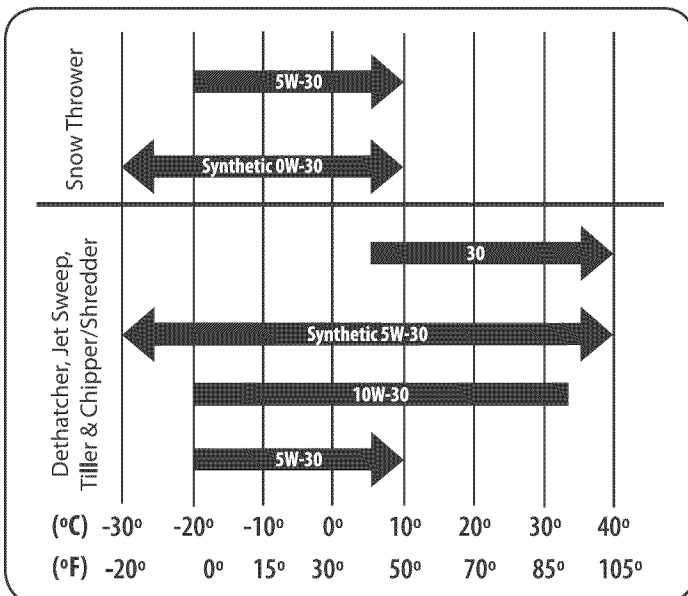


Figure 12

Engine oil capacity is 600 ml (approx. 20 oz.). Do not over-fill. Use a 4-stroke, or an equivalent high detergent, premium quality motor oil certified to meet or exceed U.S. automobile manufacturer's requirements for service classification SG, SF. Motor oils classified SG, SF will show this designation on the container.

NOTE: Please dispose of used motor oil in a manner that is friendly to the environment. Take it to a recycling center or other collection center.

⚠ CAUTION

DO NOT use non-detergent oil or 2-stroke engine oil. It could shorten the engine's service life.

Changing Engine Oil

⚠ WARNING

Shut off the engine and remove the ignition key before performing any maintenance. To prevent accidental start-up, disconnect the spark plug boot.

Periodic inspection and adjustment of the engine is essential if high level performance is to be maintained. Regular maintenance will also ensure a long service life. The required service intervals and the type of maintenance to be performed are described in the table above. Follow the hourly or calendar intervals, whichever occur first. More frequent service is required when operating in adverse conditions. Check oil level before each use and every 5 operating hours when the engine is warm. Refer to Checking and Adding Oil in the Assembly Section.

Change the oil after the first 5 operating hours and every 50 operating hours thereafter. Engine should still be warm but NOT hot from recent use.

SERVICE AND MAINTENANCE

1. Drain fuel from the tank by running the engine until the fuel tank is empty. Be sure the fuel fill cap is secure.
2. Remove the three screws that secure the lower panel. Remove the lower panel by lifting up on the panel to free the tabs at the bottom of the panel from the tab slots and then pull back. See Figure 13.

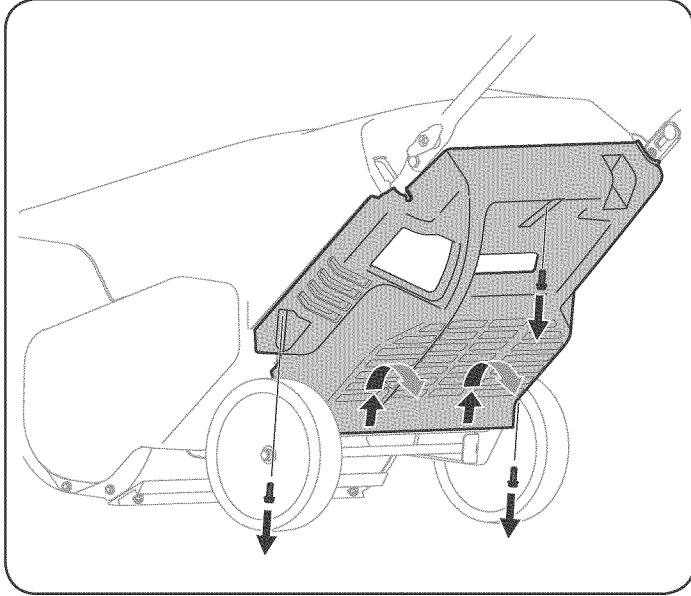


Figure 13

NOTE: The bottom of the panel has tabs that help hold it in place.

NOTE: An oil drain extension kit is available separately. Contact a Sears Parts and Repair Center for kit #753-06684.

3. Place a suitable oil collection container under the oil drain plug.
4. Remove the oil drain plug, Figure 14.

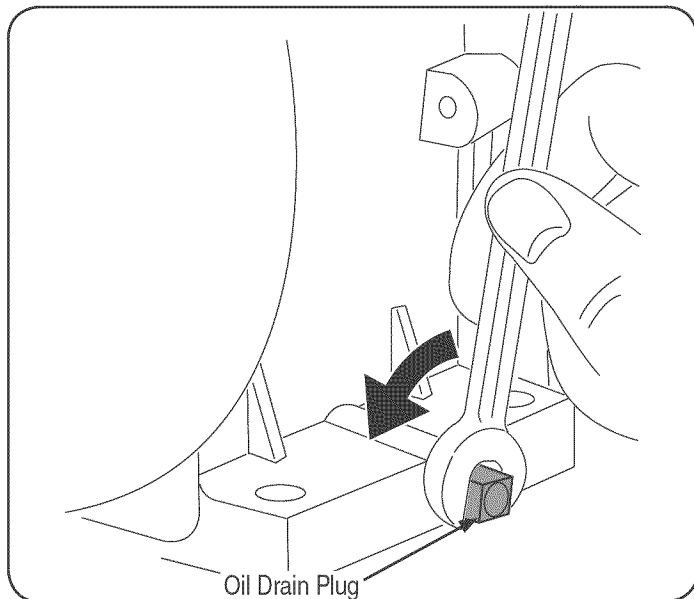


Figure 14

5. Tip the snow thrower back to drain oil into the container. Used oil must be disposed of at a proper collection center.
6. Reinstall the drain plug and tighten it securely.

7. Refill with the recommended oil and check the oil level; refer to Checking and Adding Oil in the Assembly Section.
8. Reinstall the oil filler cap/dipstick securely.
9. Re-install the lower panel by placing the tabs in the tab slots, lifting the panel into place and secure with the three screws removed in step 2.

Spark Plug

⚠ WARNING

DO NOT check for a spark with the spark plug removed. DO NOT crank the engine with the spark plug removed.

⚠ WARNING

If the engine has been running, the muffler will be very hot. Be careful not to touch the muffler.

The spark plug should be checked every 25 hours and changed once a season or every 100 hours. To ensure proper engine operation, the spark plug must also be properly gapped and free of deposits.

1. Remove the lower panel as instructed in the Changing Engine Oil section. Refer to Figure 13.
2. Remove the spark plug boot and use a spark plug wrench to remove the plug, Figure 15.

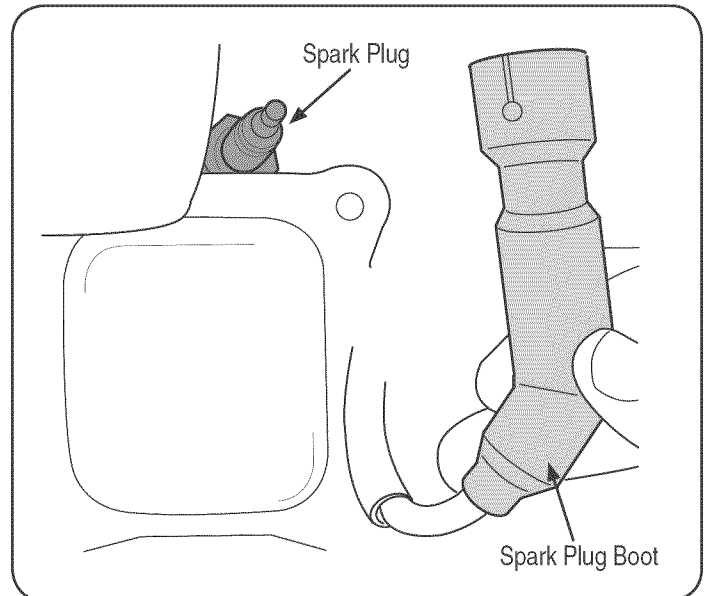


Figure 15

3. Visually inspect the spark plug. Discard the spark plug if there is any apparent wear, or if the insulator is cracked or chipped. Clean the spark plug with a wire brush if it is to be reused.

NOTE: A resistor spark plug must be used for replacement. Contact a Sears Parts and Repair Center for a replacement spark plug (Part # 951-10292).

4. Re-install the lower panel.

SERVICE AND MAINTENANCE

5. Measure the plug gap with a feeler gauge. Correct as necessary by bending the side electrode, Figure 16. The gap should be set to .02-.03 inches (0.60-0.80 mm).

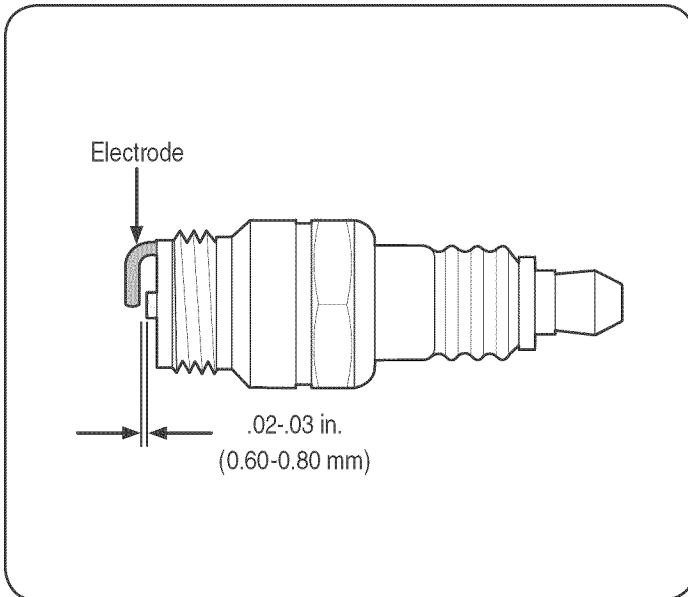


Figure 16

6. Check that the spark plug washer is in good condition and thread the spark plug in by hand to prevent cross-threading.
7. After the spark plug is seated, tighten with a spark plug wrench to compress the washer.

NOTE: When installing a new spark plug, tighten 1/2-turn after the spark plug seats to compress the washer. When reinstalling a used spark plug, tighten 1/8- to 1/4-turn after the spark plug seats to compress the washer.

⚠ CAUTION

The spark plug must be tightened securely. A loose spark plug can become very hot and can damage the engine.

Cleaning the Engine

If the engine has been running, allow it to cool for at least half an hour before cleaning. Periodically remove dirt build-up from engine. Before servicing the engine, remove the carburetor cover and/or blower housing. Discard the dirt and debris from the following areas:

⚠ CAUTION

Do not spray the engine with water to clean it because the water could contaminate the fuel. Using a garden hose or pressure washing equipment can also force water into the muffler opening. Water that passes through the muffler can enter the cylinder and cause damage.

- Cooling Fins
- Air Intake Screen or Recoil Starter/Flywheel Guard Areas
- Spark Plug Connection
- Levers
- Linkage Area
- Guards
- Carburetor
- Engine Head

Removing debris will insure adequate cooling, correct engine speed and reduce the risk of fire.

⚠ WARNING

Accumulation of debris around the muffler could cause a fire. Inspect and clean before every use.

LUBRICATION

Lubricate the pivot points on the control handle and the extension spring at the end of the control cable with a light oil once every season and before the snow thrower is put into storage at the end of the season.

ADJUSTMENTS

Shave Plate

To check the adjustment of the shave plate, place the machine on a level surface. The wheels, shave plate and auger paddles should all contact the level surface. Note that if the shave plate is adjusted too high, snow may blow under the auger housing. If the shave plate wears out excessively, or the snow thrower does not self-propel, the shave plate may be too low and needs to be adjusted.

NOTE: On new snow throwers or machines with a new shave plate installed, the auger paddles may be slightly off the ground.

To adjust the shave plate proceed as follows:

1. Run the snow thrower until the fuel tank is empty.
2. Pull the starter cord until resistance is felt. Then tip the snow thrower back until it rests on the handles. To ensure that the snow thrower does not tip forward, it may be necessary to secure the handle to the ground with a block or other object.
3. Loosen the four flange lock nuts and carriage bolts which secure the shave plate to the housing. See Figure 17. Move the shave plate to the desired position and retighten the nuts and bolts securely.

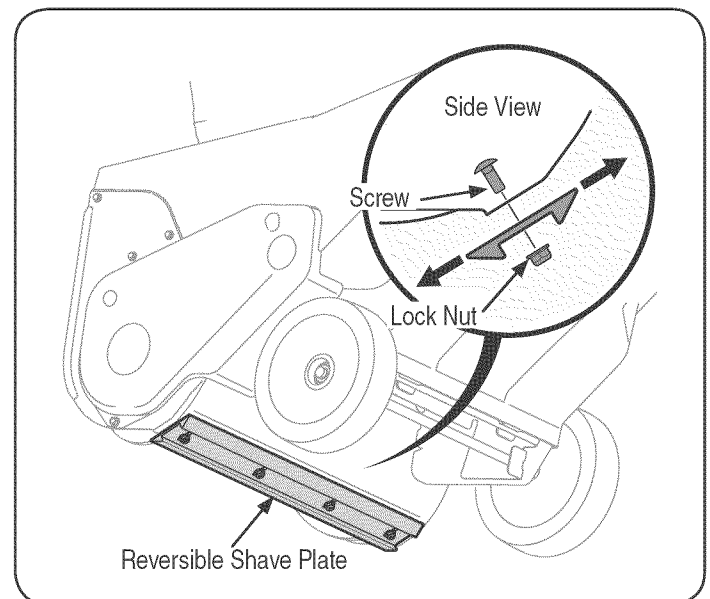


Figure 17

4. Tip the snow thrower back to the operating position and pull the starter handle a few times to see if it is difficult to pull.

SERVICE AND MAINTENANCE

5. If the starter is difficult to pull, remove the spark plug and pull the handle several times to ensure that any oil trapped in the engine head is removed.

⚠ CAUTION

Oil may come out of the spark plug hole when it is removed and the starter handle is pulled.

6. Inspect the spark plug. If it is wet, clean off any oil before re-installing.

Control Cable

As a result of both the control cable and the auger drive belt stretching due to wear, periodic adjustments may be necessary. If the auger seems to hesitate when rotating, proceed as follows:

The upper hole in the control handle provides for an adjustment in cable tension. To adjust, disconnect the end of control cable from the bottom hole in the control handle and reinsert it in the upper hole. Insert the cable from the outside as shown in Figure 18.

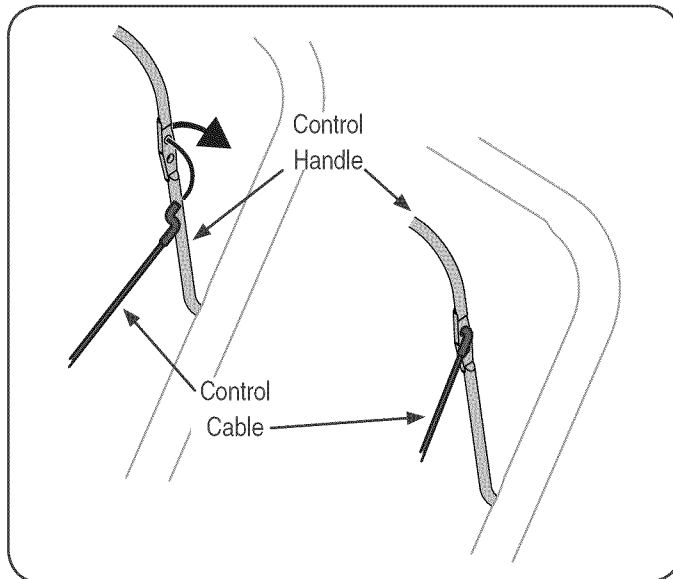


Figure 18

Test the snow thrower to see if there is a noticeable difference. If after the adjustment to the control cable the auger still hesitates when rotating, see Belt Replacement for instructions on replacing the belt.

Chute Assembly

Refer to the Assembly section for instructions on adjusting the chute assembly.

AUGER DRIVE BELT REPLACEMENT

1. Run the snow thrower until the fuel tank is empty.
2. Pull the recoil starter handle until resistance is felt. Then tip the snow thrower back until it rests on the handles.
3. Slide a board up through the auger and through the chute to secure the auger in place.
4. Remove the belt cover by removing the three hex washer screws and one hex lock screw that secure it to the frame. See Figure 19.

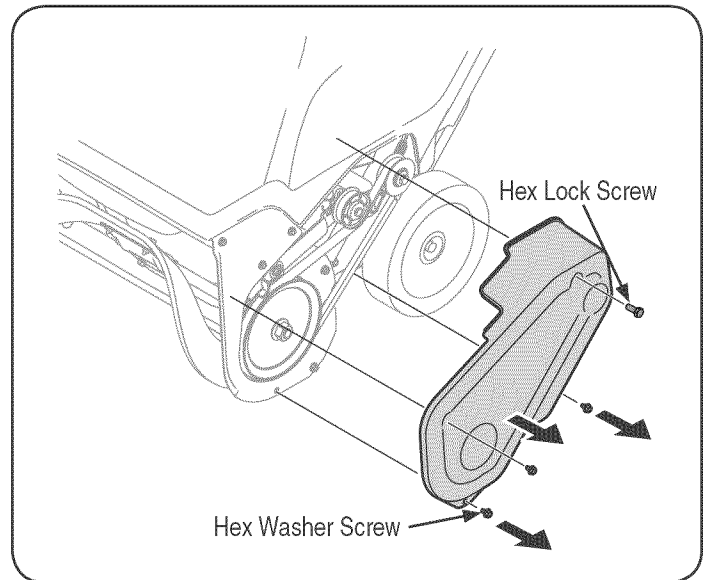


Figure 19

5. Remove the flange nut that secures the auger pulley to the auger shaft. See Figure 20.

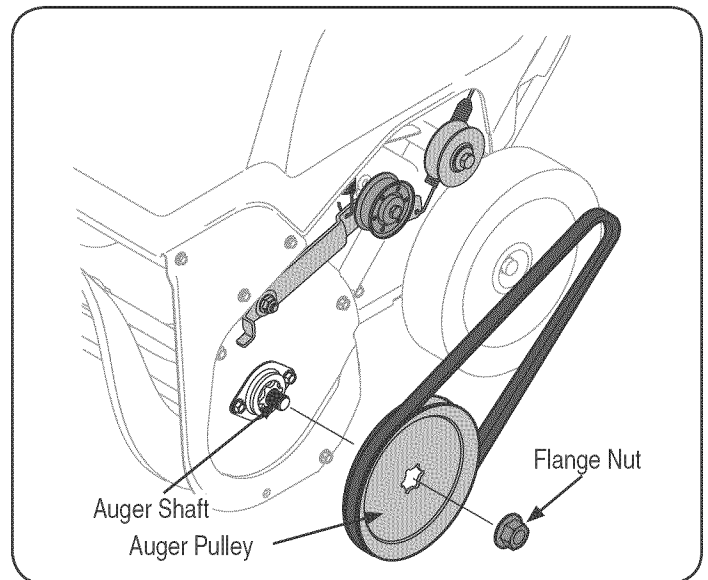


Figure 20

6. Remove the auger pulley and the belt.

SERVICE AND MAINTENANCE

To replace the belt follow these instructions and refer to Figure 21:

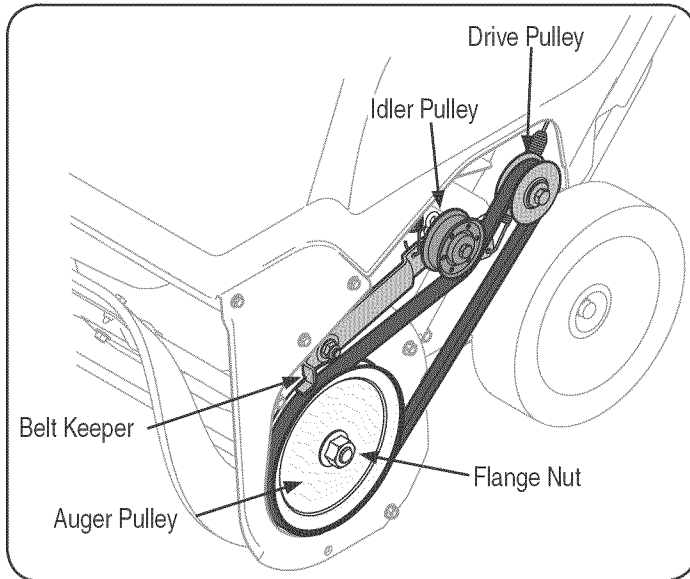


Figure 21

1. Route the belt around the drive pulley and under the idler pulley.
2. Route the end of the belt around the auger pulley and slide the pulley back on to the auger shaft. It may be necessary to push down on the idler pulley to get the auger pulley under the belt keeper.
3. Replace the flange nut and tighten securely.
4. Reinstall the belt cover removed earlier.
5. Remove the board from the auger and chute.

REPLACING AUGER PADDLES

The snow thrower auger's rubber paddles are subject to wear and should be replaced if any signs of excessive wear are present.

⚠ CAUTION

Do NOT allow the auger's rubber paddles to wear to the point where portions of the metal auger itself can come in contact with the pavement. Doing so can result in serious damage to your snow thrower.

To change the rubber paddles, proceed as follows:

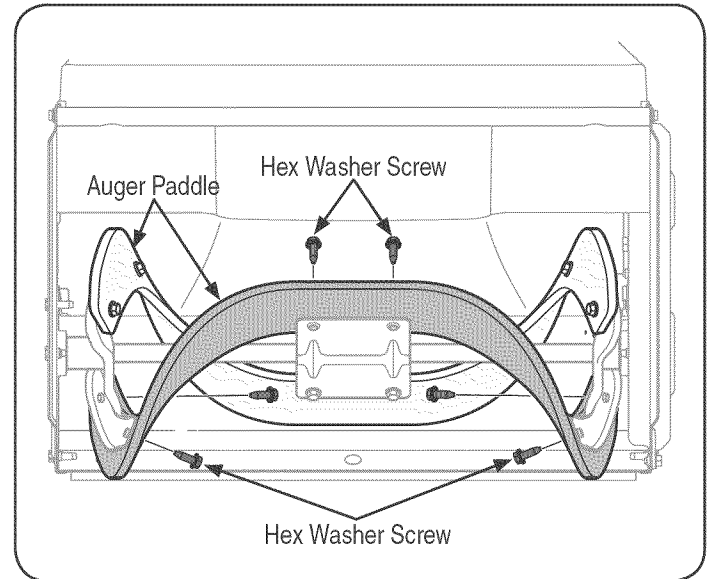


Figure 22

1. Run the snow thrower until the fuel tank is empty.
2. Pull the recoil starter handle until resistance is felt. Then tip the snow thrower back until it rests on the handles.
3. Remove the existing rubber paddles by unthreading the hex washer screws which secure them to the auger. See Figure 22.
4. Secure the replacement rubber paddles to the auger using the hardware removed earlier.

NOTE: The auger paddles should be replaced one-at-a-time so that the auger still attached can be used as an example for positioning and re-installing the new auger.

To obtain a full auger replacement kit including rubber paddles and hex washer screws, call Sears at 1-800-4-MY HOME. Ask for part 753-06469.

REPLACING SHAVE PLATE

The shave plate is attached to the bottom of the auger housing and is subject to wear. It should be checked periodically. There are two wearing edges and the shave plate can be reversed.

1. Run the snow thrower until the fuel tank is empty.
2. Pull the recoil starter handle until resistance is felt. Then tip the snow thrower back until it rests on the handles.
3. Remove the four carriage bolts and flange lock nuts which attach it to the snow thrower housing.
4. Reverse the existing shave plate or install a new one, making sure the new shave plate and the heads of the carriage bolts are on the inside of the housing.
5. Adjust the shave plate as instructed on page 14.
6. Tighten securely once adjusted.

To obtain a new shave plate, call Sears at 1-800-4-MY-HOME. Ask for part #731-07667.

OFF-SEASON STORAGE

If the snow thrower will not be used for 30 days or longer, or if it is the end of the snow season when the last possibility of snow is gone, the equipment needs to be stored properly. Follow storage instructions below to ensure top performance from the snow thrower for many more years.

PREPARING THE ENGINE

Engines stored over 30 days need to be drained of fuel to prevent deterioration and gum from forming in the fuel system or on essential carburetor parts. If the gasoline in your engine deteriorates during storage, you may need to have the carburetor, and other fuel system components, serviced or replaced.

1. Remove all fuel from the tank by running the engine until it stops.
2. Change the engine oil.
3. Remove the spark plug and pour approximately 1 oz. (30 ml) of clean engine oil into the cylinder. Pull the recoil starter several times to distribute the oil, and reinstall the spark plug.
4. Clean the exterior of the engine by discarding dirt and debris from the following areas:

CAUTION

Do not spray the engine with water to clean it because the water could contaminate the fuel. Using a garden hose or pressure washing equipment can also force water into the muffler opening. Water that passes through the muffler can enter the cylinder and cause damage.

- Cooling Fins
 - Air Intake Screen or Recoil Starter/Flywheel Guard Areas
 - Spark Plug Connection
 - Levers
 - Linkage Area
 - Guards
 - Carburetor
 - Engine Head
5. Store in a clean, dry and well ventilated area away from any appliance that operates with a flame or pilot light, such as a furnace, water heater or clothes dryer. Avoid any area with a spark producing electric motor, or where power tools are operated.

WARNING

Never store snow thrower with fuel in tank indoors or in poorly ventilated areas, where fuel fumes may reach an open flame, spark or pilot light as on a furnace, water heater, clothes dryer or gas appliance.

6. If possible, avoid storage areas with high humidity.
7. Keep the engine level in storage. Tilting the engine can cause fuel or oil leakage.

PREPARING SNOW THROWER

If the snow thrower will not be used for 30 days or longer, follow the instructions below.

1. Store the equipment in a clean, dry area.
2. Wipe down the snow thrower with a rag and remove any dirt or debris.
3. If storing the snow thrower in an unventilated area, rustproof the metal parts of the machine with a light oil or silicone coating.

TROUBLESHOOTING

⚠ WARNING

Before performing any type of maintenance/service, disengage all controls and stop the engine. Wait until all moving parts have come to a complete stop. Disconnect spark plug wire and ground it against the engine to prevent unintended starting. Always wear safety glasses during operation or while performing any adjustments or repairs.

This section addresses minor service issues. To locate the nearest Sears Service Center or to schedule service, simply contact Sears at 1-800-4-MY-HOME®.

Problem	Cause	Remedy
Engine fails to start	<ol style="list-style-type: none"> 1. Fuel tank empty, or stale fuel. 2. Blocked fuel line. 3. Key not inserted all the way. 4. Spark plug wire disconnected. 5. Faulty spark plug. 6. Engine not primed. 7. Engine flooded from excessive priming. 	<ol style="list-style-type: none"> 1. Fill tank with clean fresh gasoline. 2. Contact a Sears Service Center. 3. Insert key all the way. 4. Connect wire to spark plug. 5. Clean spark plug, readjust gap, or replace. 6. Push the engine primer button three times. 7. Wait at least ten minutes before starting.
Engine running erratically/ inconsistent RPM (hunting or surging)	<ol style="list-style-type: none"> 1. Engine running on choke. 2. Fuel line blocked, or stale fuel. 3. Water or dirt in fuel system. 4. Carburetor out of adjustment. 5. Over-governed engine 	<ol style="list-style-type: none"> 1. Move choke control to RUN position. 2. Contact a Sears Service Center. 3. Run engine until it stops. Refill with fresh fuel. 4. Contact a Sears Service Center. 5. Contact a Sears Service Center.
Engine overheats	<ol style="list-style-type: none"> 1. Carburetor out of adjustment. 	<ol style="list-style-type: none"> 1. Contact a Sears Service Center.
Loss of power	<ol style="list-style-type: none"> 1. Spark plug wire loose. 2. Vent in gas cap plugged. 	<ol style="list-style-type: none"> 1. Firmly connect spark plug wire. 2. Clear vent.
Excessive vibration	<ol style="list-style-type: none"> 1. Loose parts or damaged auger. 	<ol style="list-style-type: none"> 1. Stop engine immediately and remove key. Check for possible damage. Tighten all bolts and nuts. Repair as needed. If problem persists, take snow thrower to a Sears Service Center.
Snow thrower fails to self-propel	<ol style="list-style-type: none"> 1. Auger control cable out of adjustment. 2. Auger drive belt loose or damaged. 	<ol style="list-style-type: none"> 1. Adjust auger control cable as shown in Service and Maintenance section. 2. Replace auger drive belt.
Auger continues to rotate	<ol style="list-style-type: none"> 1. Auger control cable out of adjustment. 	<ol style="list-style-type: none"> 1. Adjust auger control cable as shown in Service and Maintenance section.
Unit fails to discharge snow	<ol style="list-style-type: none"> 1. Chute assembly clogged. 2. Foreign object lodged in auger. 3. Auger control cable out of adjustment. 4. Auger belt loose or damaged. 	<ol style="list-style-type: none"> 1. Stop engine and disconnect spark plug wire. Clean chute and inside of auger housing with clean-out tool or stick. 2. Stop engine immediately and disconnect the spark plug wire. Remove object from auger. 3. Adjust auger control cable. 4. Replace auger belt.

NEED MORE HELP?

You'll find the answer and more on managemylife.com – for free!

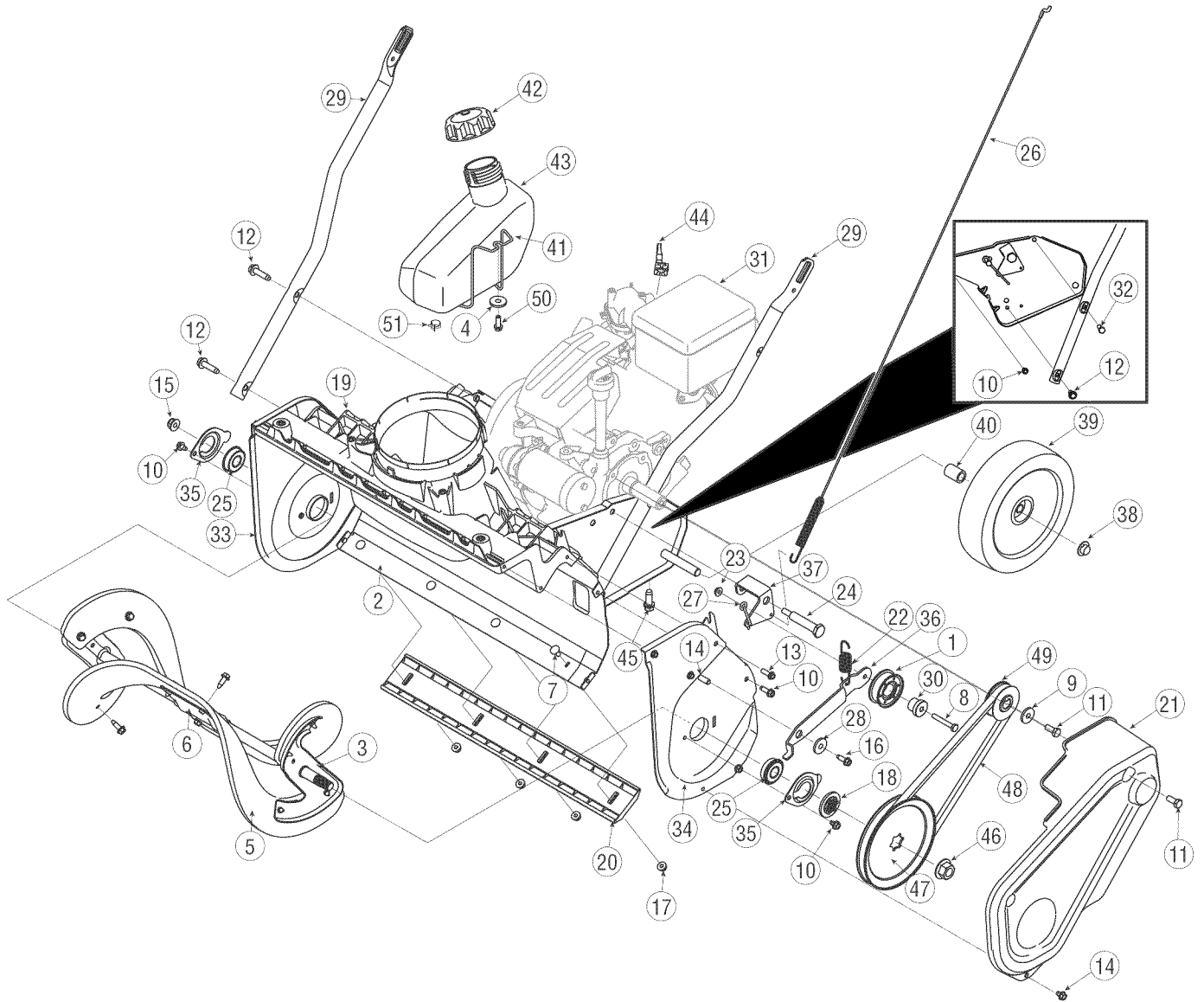
- Find this and all your other product manuals online.
- Get answers from our team of home experts.
- Get a personalized maintenance plan for your home.
- Find information and tools to help with home projects.



brought to you by Sears

PARTS LIST

Craftsman Snow Thrower Model 247.9854



PARTS LIST

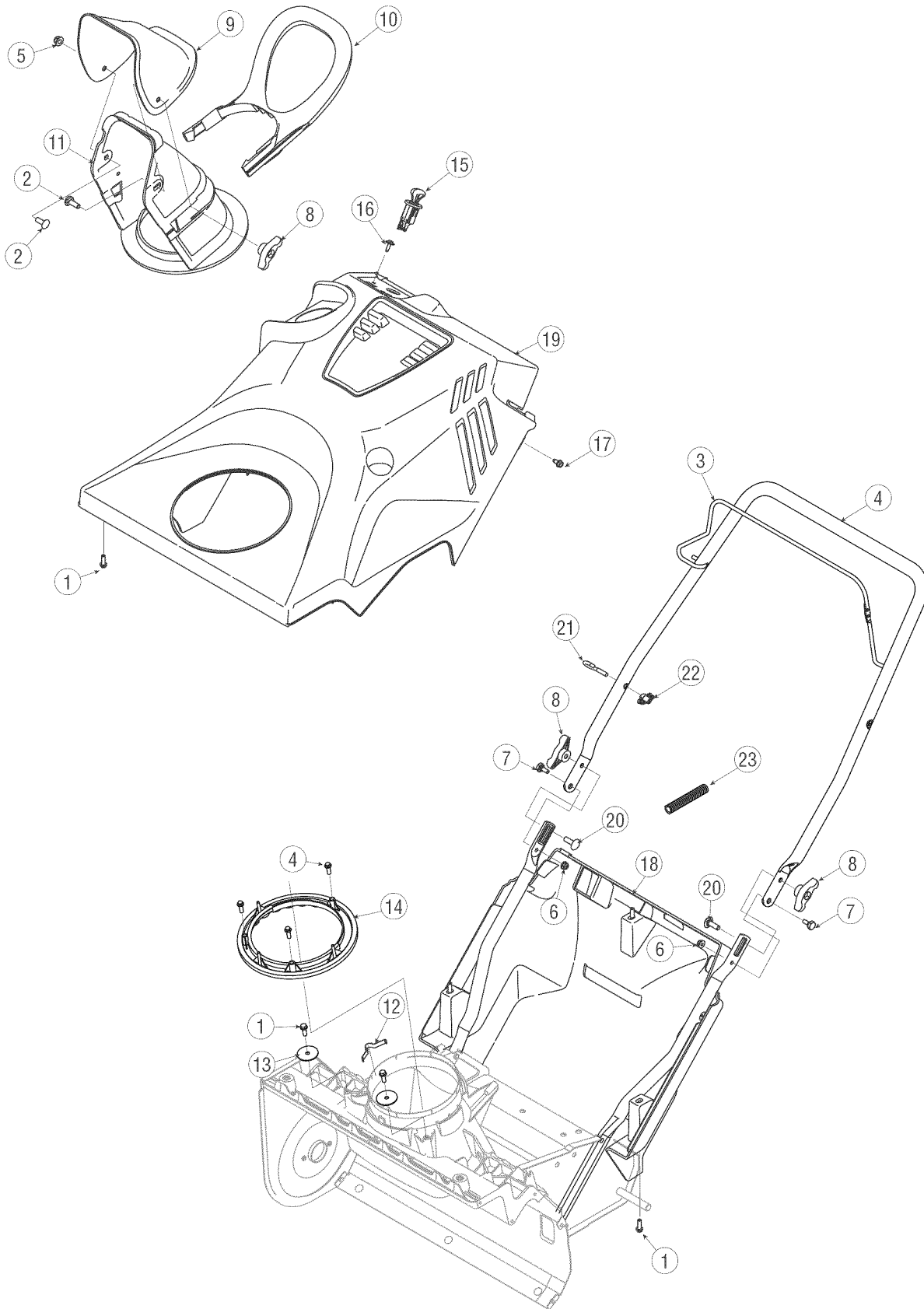
Craftsman Snow Thrower Model 247.9854

Ref. No.	Part No.	Description
1.	684-04168	Idler Pulley Assembly
2.	684-04398-4044	Frame
3.	684-04394	Auger Axle Assembly
—	684-04393	Auger Paddle
4.	736-3092	Flat Washer, .265 x 1.000 x .030
5.	753-06469	Auger Replacement Kit (Inc. 2 Paddles and 12 Hex Washer Screws)
6.	790-00427-0637	Center Auger Bracket
7.	710-0134	Carriage Screw, 1/4-20 x .62
8.	710-0778	Hex Washer Screw, 1/4-20 x 1.500
9.	736-0343	Flat Washer, .330 x 1.250 x .120
10.	710-1652	Hex Washer Screw, 1/4-20 x .625
11.	710-0627	Hex Lock Screw, 5/16-24 x .750
12.	710-0817	Hex Washer Screw, 5/16-18 x 1.250
13.	710-0895	Hex Washer Screw, 1/4-15 x .750
14.	710-0599	Hex Washer Screw, 1/4-20 x .500
15.	712-04065	Flange Lock Nut, 3/8-16
16.	710-04484	Hex Washer Screw, 5/16-18 x .750
17.	712-04064	Flange Lock Nut, 1/4-20
18.	718-04836	Pulley Hub
19.	731-07626B	Chute Adapter
20.	731-08171	Shave Plate
21.	731-07737A	Belt Cover
22.	732-04748	Extension Spring, .70 x 3.035
23.	726-0233	Push Nut, .25 x .50
24.	738-04456	Shoulder Bolt, 5/16-24 x .496 x 2.18
25.	741-04517	Ball Bearing

Ref. No.	Part No.	Description
26.	946-04701	Clutch Cable
27.	747-05360A	Drive Cable Wire Support
28.	748-0234	Shoulder Spacer
29.	749-04810	Lower Handle
30.	750-04571	Shoulder Spacer, .260 x .785 x .538
31.	952Z265-JU-11	Replacement Engine
32.	710-05183	Hex Screw, 5/16-24 x 1.25
33.	790-00444	RH Auger Plate
34.	790-00445	LH Auger Plate
35.	790-00457	Bearing Cup
36.	790-00461	Idler Bracket
37.	790-00426-0637	Cable Idler Bracket
38.	726-0299	Push Cap, 1/2
39.	734-04063A	Wheel, 7"
40.	750-04432	Spacer, .525 x .775 x .835
41.	747-05513	Gas Tank Wire Support
42.	751-14006	Fuel Cap
43.	751-14001	Fuel Tank, 2 quart
44.	731-07664	Choke Extension Lever
45.	710-0654A	Hex Washer Screw, 3/8-16 x 1.000
46.	912-0702	Flange Nut, 9/16-20
47.	756-04443	Pulley, 1/2 x 6.00
48.	954-04050	Belt, .500 x 35.06
49.	956-0416B	Pulley Half, .625 x 2.25
50.	710-04065	Tri-Plask Screw, 1/4-10 x .625
51.	726-0205	Hose Clamp, .490

PARTS LIST

Craftsman Snow Thrower Model 247.9854



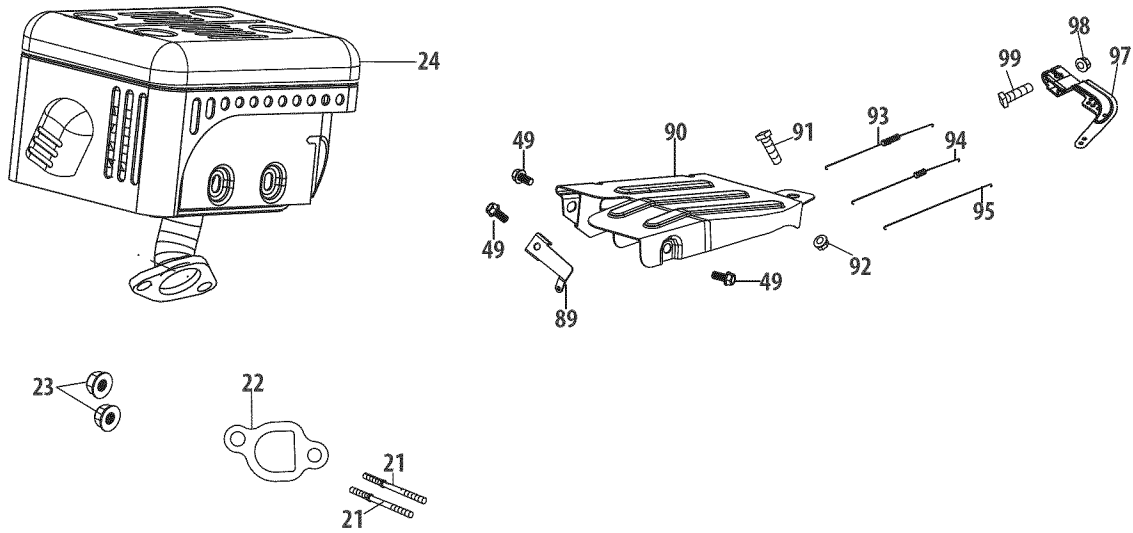
PARTS LIST

Craftsman Snow Thrower Model 247.9854

Ref. No.	Part No.	Description
1.	710-0895	Screw, 1/4-15 x 0.75
2.	710-0451	Carriage Bolt, 5/16-18 x .750
3.	747-05490A	Auger Control
4.	749-04808	Upper Handle
5.	712-04063	Flange Lock Nut, 5/16-18
6.	712-04064	Flange Lock Nut, 1/4-20
7.	738-04419A	Shoulder Screw, 1/4-20 x .375 x .148
8.	720-04122	Wing Knob, 5/16-18
9.	731-04426A	Upper Chute
10.	731-07644	Chute Handle
11.	931-07753A	Lower Chute
12.	932-04111	Chute Adjustment Spring
13.	736-04576	Flat Washer, .28 x 1.51 x .066
14.	731-08274	Chute Ring
15.	925-04031A	Ignition Switch Assembly
16.	710-04187	Hex Washer Screw, 1/4-15 x .50
17.	710-0599	Hex Washer Screw, 1/4-20 x .500
18.	731-07725	Bottom Cover
19.	631-04578A	Top Cover
20.	710-04998	Carriage Screw, 5/16-18 x 1.00
21.	710-05348	Eye Bolt, 1/4-20
22.	720-0279	Handle Knob
23.	731-08631	Conduit, .375

PARTS LIST

Craftsman Engine Model 265-JU-12 For Snow Model 247.9854

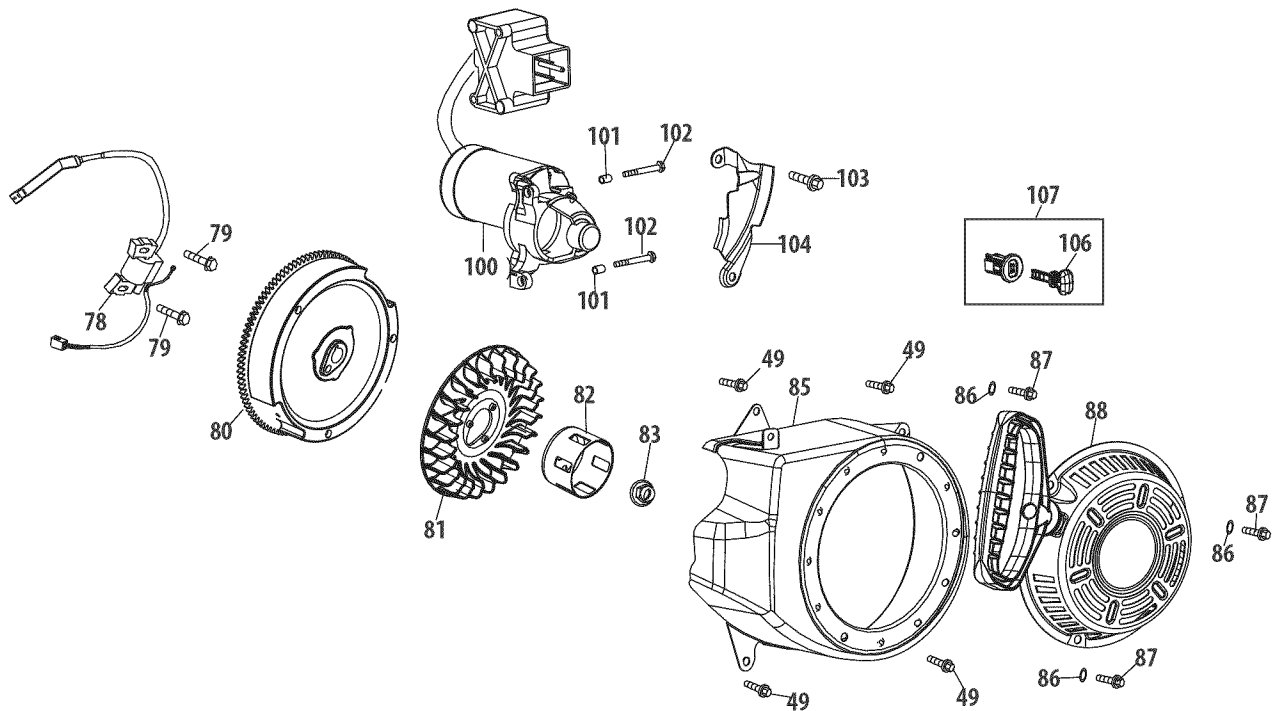


Ref.	Part No.	Description
21	710-04911	Stud M8×36
21	951-10657	Muffler Stud Assembly
22	951-11289	Exhaust Pipe Gasket
23	712-04214	Nut, M8
24	951-12010	Muffler Assembly
49	710-04915	Bolt M6×12
89	951-11104	Governor Spring Bracket
90	951-12016	Governor Shield

Ref.	Part No.	Description
91	710-04943	Bolt M6×28
92	712-05015	Nut M6
93	951-12100	Governor Spring
94	951-10664	Throttle Linkage Spring
95	951-10665	Throttle Linkage
97	951-11106	Governor Arm
98	712-04212	Nut M6
99	710-04908	Governor Arm Bolt

PARTS LIST

Craftsman Engine Model 265-JU-12 For Snow Model 247.9854

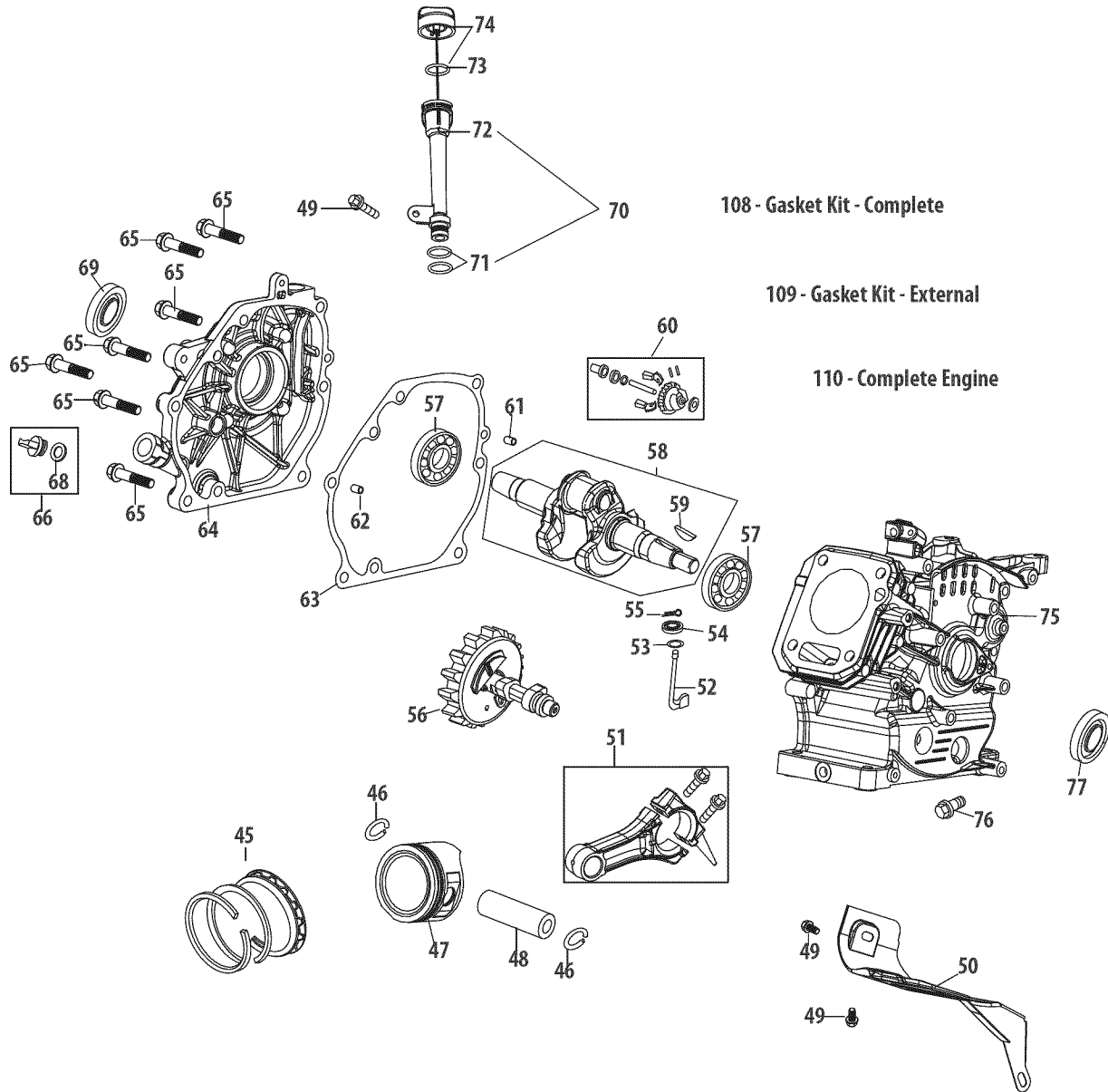


Ref.	Part No.	Description
49	710-04915	Bolt M6x12
78	951-12013	Ignition Coil Assembly
79	710-04919	Bolt M6x25
80	951-12416	Flywheel
81	951-10934	Cooling Fan
82	951-10911	Starter Cup
83	712-04209	Nut, Special, M14x1.5
85	951-12644	Blower Housing
86	736-04455	Gasket 6

Ref.	Part No.	Description
87	710-04974	Bolt M6x10
88	951-14152	Recoil Starter
100	951-10645A	Electric Starter
101	715-04088	Dowel Pin 8x8
102	710-05182	Bolt M6x32
103	710-04915	Bolt M6x12
104	951-11109	Blower Housing Shield
106	731-05632	Key
107	951-10637	Key Switch

PARTS LIST

Craftsman Engine Model 265-JU-12 For Snow Model 247.9854



PARTS LIST

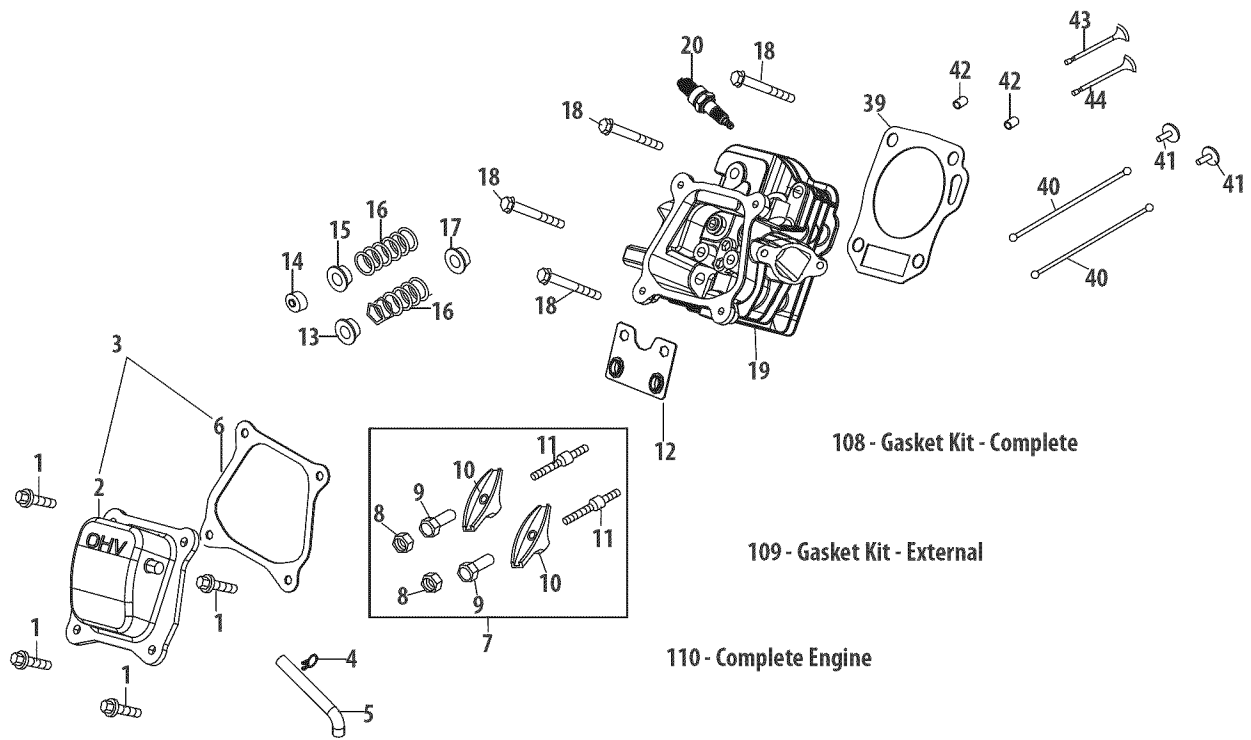
Craftsman Engine Model 265-JU-12 For Snow Model 247.9854

Ref.	Part No.	Description
45	951-11688	Piston Ring Set
46	951-11632	Piston Pin Snap Ring
47	951-11900	Piston
48	951-11901	Piston Pin
49	710-04915	Bolt M6×12
50	951-11113	Air Shield
51	951-11573	Connecting Rod Assembly
52	951-14053	Governor Arm Shaft
53	736-04461	Washer 5.2×1.9
54	951-11902	Governor Seal
55	714-04078	Cotter Pin
56	951-11575	Camshaft Assembly
57	951-11369	Radial Ball Bearing, 6205
58	951-12102	Crankshaft Kit (Incl. 57-59,69,77)
59	951-10307	Woodruff Key
60	951-11576	Governor Gear/Shaft Assembly
61	715-04092	Dowel Pin 7×14
62	715-04096	Dowel Pin 9×14
63	951-11371	Crankcase Cover Gasket
64	951-12125	Crankcase Cover
	951-11246	Crankcase Cover Kit (Incl. 57,63-69)

Ref.	Part No.	Description
65	710-04932	Bolt M8×32
66	951-11283	Oil Filler Plug Assembly
68	951-11577	O-Ring 15.8×2.5
69	951-11368	Oil Seal, 25×41.25×6
70	951-11913	Oil Fill Tube Assembly
71	951-11381	Oil Fill Tube O-Ring
72	951-10656	Oil Fill Tube
73	951-11904	Oil Fill Tube O-Ring
74	951-12482	Dipstick Assembly
75	951-12650	Crankcase Kit (Incl. 54,57,69,75,77)
	951-12648	Short Block Assembly (Incl.6,22,26-28,39,41,42, 45-48,51-69,75-77)
76	951-12514	Oil Drain Plug
77	951-11370	Oil Seal 25×41.25×6
108	951-12028	Gasket Kit - Complete (Incl. 6,22,26-28,34,39, 53,54,63,69,77)
109	951-12026A	Gasket Kit - External (Incl. 6,22,26-28,34)
110	952Z265-JU-12	Complete Engine

PARTS LIST

Craftsman Engine Model 265-JU-12 For Snow Model 247.9854



PARTS LIST

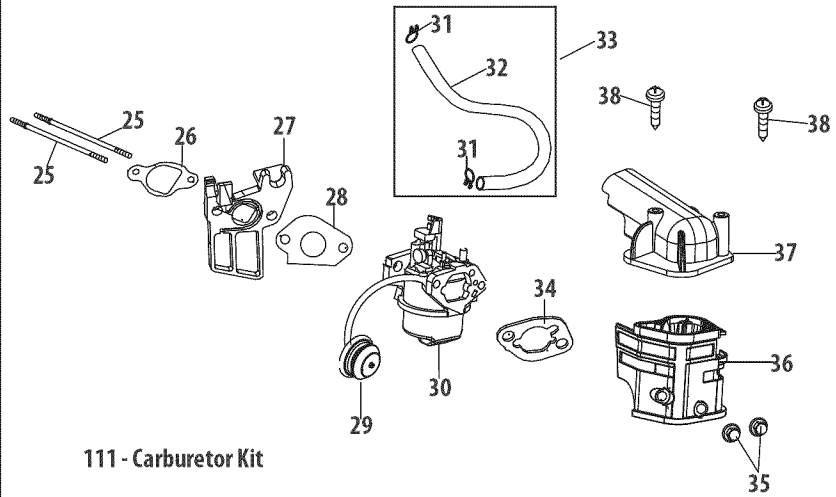
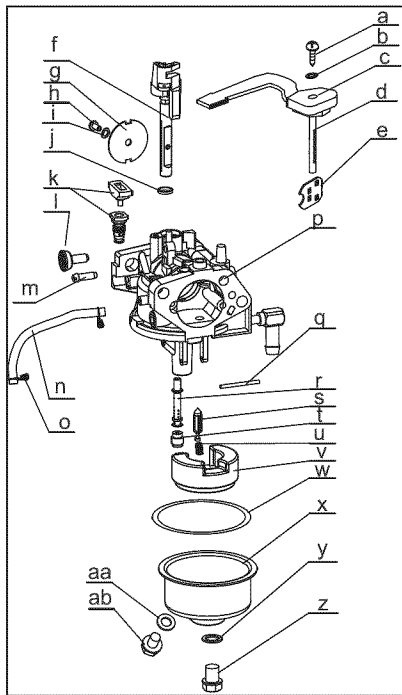
Craftsman Engine Model 265-JU-12 For Snow Model 247.9854

Ref.	Part No.	Description
1	710-04968	Bolt M6x16
2	951-11054A	Valve Cover
3	951-12626	Valve Cover Kit
4	726-04101	Breather Hose Clamp
5	731-07059	Breather Hose
6	951-11565	Valve Cover Gasket
7	951-11892	Rocker Arm Assembly
8	751-11124	Nut, Pivot Locking
9	751-11123	Adjusting Nut ,Valve
10	951-11893	Rocker Arm
11	710-04902	Bolt, Pivot
12	951-11895	Push Rod Guide
13	951-12000	Valve Spring Retainer (Intake)
14	951-12002	Exhaust Lash Cap
15	951-12003	Valve Spring Retainer (Exhaust)
16	951-12004	Valve Spring
17	951-11894	Valve Seal (Intake)

Ref.	Part No.	Description
18	710-04933	Bolt M8x55
19	951-14195	Cylinder Head Assembly (Incl. 6-17,19,22,26,28,39,43,44)
20	951-10292	Spark Plug
39	951-11898	Gasket, Cylinder Head
40	951-10648	Push Rod Kit
41	951-11899	Tappet
42	715-04108	Dowel Pin 10x16
43	951-10647A	Valve Kit
44	951-10647A	Valve Kit
108	951-12028	Gasket Kit - Complete (Incl. 6,22,26-28,34,39, 53,54,63,69,77)
109	951-12026A	Gasket Kit - External (Incl. 6,22,26-28,34)
110	952Z265-JU-12	Complete Engine

PARTS LIST

Craftsman Engine Model 265-JU-12 For Snow Model 247.9854



111 - Carburetor Kit

PARTS LIST

Craftsman Engine Model 265-JU-12 For Snow Model 247.9854

Ref.	Part No.	Description
25	710-05101	Stud M6x110
26	951-11567	Carburetor Insulator Gasket
27	951-11568	Carburetor Insulator
28	951-11569A	Carburetor Gasket
29	951-10639A	Primer Assembly
29	951-11824	Primer Bulb
30	951-12704B	Carburetor Assembly
31	951-11700	Fuel Hose Clamp
32	951-12613	Fuel Hose
33	951-12012	Fuel Line Kit
34	951-11571	Carburetor Gasket Plate
35	712-04213	Nut
36	951-10962	Air Cleaner Housing
37	951-10961	Air Cleaner Assembly
38	710-05275	Self-Tapping Bolt M4.2x45
111	951-14033	Carburetor Kit (Incl. k,q,r,s,t,u,v,w,y,aa)
a	710-05468	Choke Control Lever Screw
b	736-04598	Washer
c	951-12515	Choke Control Lever
d	n/a	Choke Shaft
e	n/a	Choke Plate
f	n/a	Throttle Shaft

Ref.	Part No.	Description
g	n/a	Throttle Plate
h	710-05469	Screw M3x6
i	736-04638	Lock Washer
j	n/a	Gasket, Throttle Plate
k	n/a	Idle Jet Assembly (0.34)
l	n/a	Idle Speed Adjusting Screw
m	n/a	Primer Pipe
n	951-12019	Primer Hose
o	951-11906	Hose Clamp
p	n/a	Carburetor Body
q	n/a	Float Pin
r	n/a	Emulsion Tube (P18-019)
s	951-12875	Needle Valve
t	n/a	Main Jet (#73H)
u	n/a	Needle Valve Spring
v	n/a	Float
w	951-11589	Fuel Bowl O-Ring
x	n/a	Fuel Bowl
y	951-11348	Fuel Bowl Mounting Bolt Gasket
z	710-04945	Fuel Bowl Mounting Bolt
aa	951-11349	Fuel Drain Bolt Gasket
ab	710-04938	Fuel Drain Bolt

PARTS LIST

Craftsman Snow Thrower Model 247.9854

777S34027

⚠ DANGER

- KEEP AWAY FROM ROTATING AUGER CONTACT WITH AUGER. CAN AMPUTATE HANDS AND FEET.
- DISENGAGE CLUTCH LEVERS, STOP ENGINE, AND REMAIN BEHIND HANDLES UNTIL ALL MOVING PARTS HAVE STOPPED BEFORE UNCLOGGING OR SERVICING MACHINE.
- TO AVOID THROWN OBJECTS INJURIES, NEVER DIRECT DISCHARGE AT BYSTANDERS USE EXTRA CAUTION WHEN OPERATING ON GRAVEL SURFACES.
- READ OPERATOR'S MANUAL.

STARTING INSTRUCTIONS:

- INSERT IGNITION KEY AND SNAP IN PLACE.
- MOVE CHOKE CONTROL TO THE "CHOKE" POSITION. PUSH PRIMER BUTTON 3x.
- ROPE START: PULL SLOWLY UNTIL HARDER TO PULL, THEN PULL RAPIDLY TO START. REPEAT PRIMING IF NEEDED.
- MOVE CHOKE CONTROL SLOWLY TO THE "RUN" POSITION.
- TO STOP ENGINE: PULL KEY OUT.

ELECTRIC START: DO NOT USE IN RAIN. CONNECT POWER CORD AND PUSH STARTER BUTTON. REPEAT PRIMING IF NEEDED.

5W30

CHOKE BELOW

PRIMER 3-5x

⚠ WARNING

Read and follow Operating Instructions before running engine.

Gasoline is flammable. Allow engine to cool at least 2 minutes before refueling.

Engines emit carbon monoxide. DO NOT run in enclosed area.

KEY
PULL OUT KEY TO STOP

ELECTRIC START

Do not use electric start in the rain. Do not run starter more than 10 times at intervals of 5 Seconds On / 5 seconds Off.

If engine does not start, consult operators manual.

PUSH BUTTON TO START

777D18032

777I22139

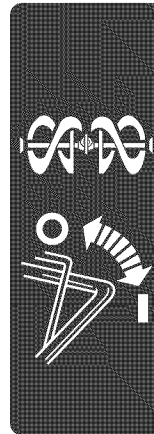
777S32236

CRAFTSMAN

CLEARING WIDTH **21"**

ELECTRIC START

179cc 4-CYCLE OHV



⚠ DANGER

- NEVER PUT HAND IN CHUTE. CONTACT WITH ROTATING PARTS CAN AMPUTATE FINGERS AND HANDS.
- SHUT OFF ENGINE AND WAIT UNTIL ALL MOVING PARTS HAVE STOPPED BEFORE UNCLOGGING.
- USE CLEAN-OUT TOOL OR WOODEN STICK TO UNCLOG DISCHARGE CHUTE.

777D16367

777S33118

⚠ DANGER

AVOID INJURY FROM ROTATING AUGER-KEEP HANDS, FEET AND CLOTHING AWAY.

SNOW CLAW™

AUGER

777S33731

777X43688



DO NOT USE E85 OR FUEL CONTAINING MORE THAN 10% ETHANOL

TO AVOID ENGINE DAMAGE

**MTD CONSUMER GROUP INC (MTD), the California Air Resources Board (CARB)
and the United States Environment Protection Agency (U. S. EPA)**

**Emission Control System Warranty Statement
(Owner's Defect Warranty Rights and Obligations)**

EMISSION CONTROL SYSTEM COVERAGE IS APPLICABLE TO CERTIFIED ENGINES PURCHASED IN CALIFORNIA IN 2005 AND THEREAFTER, WHICH ARE USED IN CALIFORNIA, AND TO CERTIFIED MODEL YEAR 2005 AND LATER ENGINES WHICH ARE PURCHASED AND USED ELSEWHERE IN THE UNITED STATES.

California and elsewhere in the United States Emission Control Defects Warranty Coverage

The California Air Resources Board (CARB), U. S. EPA and MTD are pleased to explain the emissions control system warranty on your model year 2006 and later small off-road engine. In California, new small off-road engines must be designed, built and equipped to meet the States anti-smog standards. Elsewhere in the United States, new non-road, spark-ignition engines certified for model 2005 and later, must meet similar standards set forth by the U. S. EPA. MTD must warranty the emission control system on your engine for the period of time listed below, provided there has been no abuse, neglect or improper maintenance of your small off-road engine.

Your emission control system may include parts such as the carburetor, fuel-injection system, the ignition system, and catalytic converter, fuel tanks, fuel lines, fuel caps, valves, canisters, filters, vapor hoses, clamps, connectors, and other associated emission-related components.

Where a warrantable condition exists, MTD will repair your small off-road engine at no cost to you including diagnosis, parts and labor.

MANUFACTURER'S WARRANTY COVERAGE:

This emissions control system is warranted for two years. If any emission-related part on your engine is defective, the part will be repaired or replaced by MTD.

OWNER'S WARRANTY RESPONSIBILITIES:

As the small off-road engine owner, you are responsible for the performance of the required maintenance listed in your Owner's Manual. MTD recommends that you retain all your receipts covering maintenances on your small off-road engine, but MTD can not deny warranty solely for the lack of receipts or for your failure to ensure the performance to all scheduled maintenance.

As the small off-road engine owner, you should however be aware that MTD may deny your warranty coverage if your small off-road engine or part has failed due to abuse, neglect, improper maintenance or unapproved modifications.

You are responsible for presenting your small off-road engine to an Authorized MTD Service Dealer as soon as a problem exists. The warranted repairs should be completed in a reasonable amount of time, not to exceed 30 days.

If you have any questions regarding your warranty rights and responsibilities, you should contact a MTD Service Representative at 1-800-800-7310 and address is MTD CONSUMER GROUP, P.O. Box 361131, Cleveland OH, 44136-0019.

DEFECTS WARRANTY REQUIREMENTS FOR 1995 AND LATER SMALL OFF-ROAD ENGINES:

This section applies to 1995 and later small off-road engines. The warranty period begins on the date the engine or equipment is delivered to an ultimate purchaser.

(a) General Emissions Warranty Coverage

MTD must warrant to the ultimate purchaser and each subsequent purchaser that the engine is:

- (1) Designed, built, and equipped so as to conform with all applicable regulations adopted by the Air Resources Board pursuant to its authority in Chapters 1 and 2, Part 5, Division 26 of the Health and Safety Code; and
- (2) Free from defects in materials and workmanship that cause the failure of a warranted part to be identical in all material respects to the part as described in the engine manufacturer's application for certification for a period of two years.

(b) The warranty on emissions-related parts will be interpreted as follows:

- (1) Any warranted part that is not scheduled for replacement as required maintenance in the written instructions required by Subsection (c) must be warranted for the warranty period defined in Subsection (a)(2). If any such part fails during the period of warranty coverage, it must be repaired or replaced by MTD according to Subsection (4) below. Any such part repaired or replaced under the warranty must be warranted for the remaining warranty period.
- (2) Any warranted part that is scheduled only for regular inspection in the written instructions required by Subsection (c) must be warranted for the warranty period defined in Subsection (a)(2). A statement in such written instructions to the effect of "repair or replace as necessary" will not reduce the period of warranty coverage. Any such part repaired or replaced under warranty must be warranted for the remaining warranty period.
- (3) Any warranted part that which is scheduled for replacement as required maintenance in the written instructions required by Subsection (c) must be warranted for the period of time prior to the first scheduled replacement point for that part. If the part fails prior to the first scheduled replacement, the part must be repaired or replaced by MTD according to Subsection (4) below. Any such part repaired or replaced under warranty must be warranted for the remainder of the period prior to the first scheduled replacement point for the part.
- (4) Repair or replacement of any warranted part under the warranty provisions of this article must be performed at no charge to the owner at a warranty station.
- (5) Notwithstanding the provisions of Subsection (4) above, warranty services or repairs must be provided at all MTD distribution centers that are franchised to service the subject engines.

(6) The owner must not be charged for diagnostic labor that leads to the determination that a warranted part is in fact defective, provided that such diagnostic work is performed at a warranty station.

(7) The engine manufacturer is liable for damages to other engine components proximately caused by a failure under warranty of any warranted part.

(8) Throughout the engine's warranty period defined in Subsection (a)(2), MTD will maintain a supply of warranted parts sufficient to meet the expected demand for such parts.

(9) Any replacement part may be used in the performance of any warranty maintenance or repairs and must be provided without charge to the owner. Such use will not reduce the warranty obligations of MTD.

(10) Add-on or modified parts that are not exempted by the Air Resources Board may not be used. The use of any non-exempted add-on or modified parts shall be grounds for disallowing a warranty claim made in accordance with this article. The engine manufacturer shall not be liable under this article to warrant failures of warranted parts caused by the use of non-exempted add-on or modified part.

(c) MTD will include a copy of the following emission warranty parts list with each new engine, using those portions of the list applicable to the engine.

(1) Fuel Metering System

- Cold start enrichment system (soft choke)
- Carburetor and internal parts
- Fuel Pump
- Fuel Tank

(2) Air Induction System

- Air cleaner
- Intake manifold

(3) Ignition System

- Spark plug(s)
- Magneto Ignition System

(4) Exhaust System

- Catalytic converter
- SAI (Reed valve)

(5) Miscellaneous Items Used in Above System

- Vacuum, temperature, position, time sensitive valves and switches
- Connectors and assemblies

(6) Evaporative control

- Fuel Hose certified for ARB evaporative emission of 2006.
- Fuel Hose Clamps
- Tethered fuel cap
- Carbon canister
- Vapor lines

Look For Relevant Emissions Durability Period and Air Index Information On Your Engine Emissions Label

Engines that are certified to meet the California Air Resources Board (CARB) Tier 2 Emission Standards must display information regarding the Emissions Durability Period and the Air Index. Sears Brands Management Corporation makes this information available to the consumer on our emission labels.

The Emissions Durability Period describes the number of hours of actual running time for which the engine is certified to be emissions compliant, assuming proper maintenance in accordance with the Operating & Maintenance Instructions. The following categories are used:

Moderate: Engine is certified to be emission compliant for 125 hours of actual engine running time.

Intermediate: Engine is certified to be emission compliant for 250 hours of actual engine running time.

Extended: Engine is certified to be emission compliant for 500 hours of actual engine running time.

For example, a typical walk-behind lawn mower is used 20 to 25 hours per year. Therefore, the **Emissions Durability Period** of an engine with an **intermediate** rating would equate to 10 to 12 years.

The **Air Index** is a calculated number describing the relative level of emissions for a specific engine family. The lower the **Air Index**, the cleaner the engine. This information is displayed in graphical form on the emissions label.

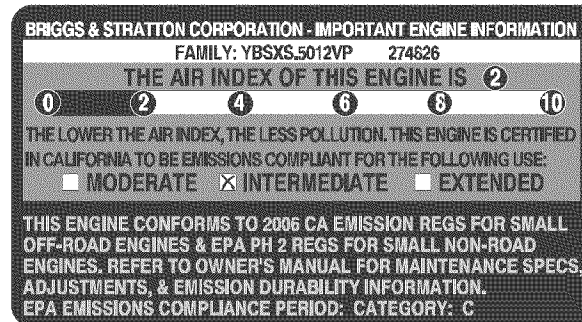
After July 1, 2000, Look For Emissions Compliance Period On Engine Emissions Compliance Label

After July 1, 2000 certain Sears Brands Management Corporation engines will be certified to meet the United States Environmental Protection Agency (USEPA) Phase 2 emission standards. For Phase 2 certified engines, the Emissions Compliance Period referred to on the Emissions Compliance label indicates the number of operating hours for which the engine has been shown to meet Federal emission requirements.

For engines less than 225 cc displacement, Category C = 125 hours, B = 250 hours and A = 500 hours.

For engines of 225 cc or more, Category C = 250 hours, B = 500 hours and A = 1000 hours.

This is a generic representation of the emission label typically found on a certified engine.



REPAIR PROTECTION AGREEMENT

Congratulations on making a smart purchase. Your new Craftsman® product is designed and manufactured for years of dependable operation. But like all products, it may require repair from time to time. That's when having a Repair Protection Agreement can save you money and aggravation.

Here's what the Repair Protection Agreement* includes:

- ☑ **Expert service** by our 10,000 professional repair specialists
- ☑ **Unlimited service and no charge** for parts and labor on all covered repairs
- ☑ **Product replacement** up to \$1500 if your covered product can't be fixed
- ☑ **Discount of 25%** from regular price of service and related installed parts not covered by the agreement; also, 25% off regular price of preventive maintenance check
- ☑ **Fast help by phone** – we call it Rapid Resolution – phone support from a Sears representative. Think of us as a “talking owner's manual.”

Once you purchase the Repair Protection Agreement, a simple phone call is all that it takes for you to schedule service. You can call anytime day or night, or schedule a service appointment online.

The Repair Protection Agreement is a risk-free purchase. If you cancel for any reason during the product warranty period, we will provide a full refund. Or, a prorated refund anytime after the product warranty period expires. Purchase your Repair Protection Agreement today!

Some limitations and exclusions apply. For prices and additional information in the U.S.A. call 1-800-827-6655.

***Coverage in Canada varies on some items. For full details call Sears Canada at 1-800-361-6665.**

Sears Installation Service

For Sears professional installation of home appliances, garage door openers, water heaters, and other major home items, in the U.S.A. or Canada call **1-800-4-MY-HOME®**.

ÍNDICE

Declaración de garantía	Página 38	Almacenamiento fuera de temporada	Página 54
Medidas de seguridad	Páginas 39-42	Solución de problemas	Página 55
Montaje	Páginas 43-45	Acuerdo de protección	
Funcionamiento	Páginas 46-48	para reparaciones	Página 59
Servicio y Mantenimiento	Páginas 49-53	Números de servicio	Contratapa

DECLARACIÓN DE GARANTÍA

GARANTÍA COMPLETA CRAFTSMAN POR DOS AÑOS

POR DOS AÑOS a partir de la fecha de la compra, este producto está garantizado por defectos en los materiales y la mano de obra. Los productos defectuosos serán reparados sin costo o reemplazados sin costo si la reparación no está disponible.

La presente garantía se anula si se utiliza este producto alguna vez para prestar servicios comerciales o si se lo alquila a otra persona.

Para obtener información sobre el alcance de la garantía y solicitar la reparación o el reemplazo, visite el sitio Web: www.craftsman.com

Esta garantía cubre ÚNICAMENTE los defectos en los materiales y en la mano de obra. Esta garantía NO cubre:

- Elementos no renovables que pueden desgastarse por el uso normal, durante el plazo de la garantía, incluyendo entre otros, las barrenas, las paletas de las barrenas, los cortadores de desplazamiento, las zapatas antideslizantes, la placa de raspado, los pasadores de cuchilla, la bujía, el filtro de aire, las correas y el filtro de aceite.
- Servicios de mantenimiento estándar, cambios de aceite o afinación.
- Cambio de neumáticos o reparaciones por pinchaduras con objetos externos como clavos, espinas, tocones o vidrios.
- Reemplazo o reparación de neumáticos o ruedas como resultado del desgaste normal, un accidente, o funcionamiento o mantenimiento incorrectos.
- Reparaciones requeridas como resultado del uso inadecuado por parte del operador, incluyendo entre otros el daño ocasionado por objetos que impactan la máquina y que tuercen el bastidor, el eje de la barrena, etc., o debido a que el motor fue acelerado en exceso.
- Reparaciones necesarias debido a negligencia del operador, incluyendo entre otros, daños mecánico y eléctrico ocasionado por un almacenamiento no apropiado, falla por el uso de aceite de grado y/o cantidad no apropiados o falla por no dar mantenimiento al equipo de acuerdo con las instrucciones contenidas en el manual del operador.
- Limpieza o reparaciones del motor (sistema de combustible) debidas a combustible que se determina está contaminado u oxidado (viejo). En general, el combustible debe utilizarse en un período no mayor de 30 días a partir de su adquisición.
- El deterioro y desgaste normal de los acabados exteriores, o reemplazo de la etiqueta del producto.

Esta garantía le otorga derechos legales específicos, pero usted podría gozar de otros derechos en razón de su lugar de residencia.

Sears Brands Management Corporation, Hoffman Estates, IL 60179

ESPECIFICACIONES DEL PRODUCTO

Tipo de aceite del motor:	SAE 5W-30
Capacidad de aceite del motor:	20 onzas
Capacidad de combustible:	2 Cuartos de galón
Bujías:	F6RTC
Separación de las bujías:	0.020"-0.030"

N.º DE MODELO

Número de modelo
Número de serie
Fecha de compra

Registre arriba el número del modelo, el número de serie y la fecha de compra

INSTRUCCIONES DE SEGURIDAD

⚠️ ADVERTENCIA



La presencia de este símbolo indica que se trata de instrucciones importantes de seguridad que se deben respetar para evitar poner en peligro su seguridad personal y/o material y la de otras personas. Lea y siga todas las instrucciones de este manual antes de poner en funcionamiento esta máquina. Si no respeta estas instrucciones podría provocar lesiones personales. Cuando vea este símbolo, ¡preste atención a la advertencia!

⚠️ ADVERTENCIA

PROPOSICIÓN 65 DE CALIFORNIA

El escape del motor de este producto, algunos de sus componentes y algunos componentes del vehículo contienen o liberan sustancias químicas que el estado de California considera que pueden producir cáncer, defectos de nacimiento u otros problemas reproductivos.

⚠️ PELIGRO

Esta máquina fue construida para ser operada de acuerdo con las reglas de seguridad contenidas en este manual. Al igual que con cualquier tipo de equipo motorizado, un descuido o error por parte del operador puede producir lesiones graves. Esta máquina es capaz de amputar manos y pies y de arrojar objetos con gran fuerza. De no respetar las instrucciones de seguridad siguientes se pueden producir lesiones graves o la muerte.

⚠️ ADVERTENCIA

Su responsabilidad—Restrinja el uso de esta máquina motorizada a las personas que lean, comprendan y respeten las advertencias e instrucciones que aparecen en este manual y en la máquina.

GUARDE ESTAS INSTRUCCIONES

CAPACITACIÓN

- Leer, entender y seguir todas las instrucciones en la máquina y en el manual (s) antes de intentar montar y operar. No hacerlo puede resultar en lesiones graves para el operador y / o transeúntes. Guarde este manual en un lugar seguro para el futuro y regular de referencia y para pedir piezas de repuesto. Para preguntas llame al, 1-800-4MY-HOME.
- Familiarícese con todos los controles y con el uso adecuado de los mismos. Sepa cómo detener la máquina y desactivar los controles rápidamente.
- No permita nunca que los niños menores de 14 años utilicen esta máquina. Los niños de 14 años en adelante deben leer y entender las instrucciones de operación y normas de seguridad contenidas en este manual y en la máquina y deben ser entrenados y supervisados por un adulto.
- Nunca permita que los adultos operen esta máquina sin recibir antes la instrucción apropiada.
- Los objetos arrojados por la máquina pueden producir lesiones graves. Planifique el patrón en el que va a ir arrojando nieve para evitar que la descarga de material se realice hacia los caminos, los observadores, etc.
- Mantenga a los transeúntes, mascotas y niños al menos a 75 pies de la máquina mientras está en funcionamiento. Detenga la máquina si alguien se acerca.
- Sea precavido para evitar patinarse o caerse especialmente cuando opera la máquina en marcha atrás.

PREPARATIVOS

Inspeccione minuciosamente el área donde utilizará el equipo. Saque todos los felpudos, periódicos, trineos, tablas, cables y otros objetos extraños con los que podría tropezar o que podrían ser arrojados por la barrena/impulsor.

1. Para protegerse los ojos utilice siempre anteojos o antiparras de seguridad mientras opera la máquina o mientras la ajusta o repara. Los objetos arrojados que rebotan pueden producir lesiones oculares graves.
2. No opere la máquina sin la vestimenta adecuada para estar al aire libre en invierno. No utilice alhajas, bufandas largas u otras prendas sueltas que podrían enredarse en las partes móviles. Utilice un calzado especial para superficies resbaladizas.
3. Use un prolongador y un tomacorriente de tres cables con conexión a tierra para todas las máquinas con motores de encendido eléctrico.
4. Desengrane todas las palancas de control antes de arrancar el motor.
5. Nunca intente realizar ajustes mientras el motor está en marcha excepto en los casos específicamente recomendados en el manual del operador.
6. Deje que el motor y la máquina se adapten a la temperatura exterior antes de comenzar a sacar la nieve.

INSTRUCCIONES DE SEGURIDAD

MANEJO SEGURO DE LA GASOLINA

Para evitar lesiones personales o daños materiales tenga mucho cuidado cuando trabaje con gasolina. La gasolina es sumamente inflamable y sus vapores pueden causar explosiones. Si se derrama gasolina encima o sobre la ropa se puede lesionar gravemente ya que se puede encender. Lávese la piel y cámbiese de ropa de inmediato.

- Utilice sólo los recipientes para gasolina autorizados.
- Apague todos los cigarrillos, cigarros, pipas y otras fuentes de combustión.
- Nunca cargue combustible en la máquina en un espacio cerrado.
- Nunca saque la tapa de la gasolina ni agregue combustible mientras el motor está caliente o en marcha.
- Deje que el motor se enfríe por lo menos dos minutos antes de volver a cargar combustible.
- Nunca llene en exceso el depósito de combustible. Llene el tanque a no más de ½ pulgada por debajo de la base del cuello de llenado dejando espacio para la dilatación del combustible.
- Vuelva a colocar la tapa del combustible y ajústela bien.
- Limpie el combustible que se haya derramado sobre el motor y el equipo. Traslade la máquina a otra zona. Espere 5 minutos antes de encender el motor.
- Nunca almacene la máquina o el recipiente de combustible en un espacio cerrado donde haya fuego, chispas o luz piloto (por ejemplo, hornos, calentadores de agua, calefactores, secadores de ropa, etc.).
- Deje que la máquina se enfríe por lo menos 5 minutos antes de guardarla.
- Nunca llene los recipientes en el interior de un vehículo o camión o caja de remolque con recubrimiento plástico. Coloque siempre los recipientes en el piso y lejos del vehículo antes de llenarlos.
- Si es posible, retire el equipo a gasolina del camión o remolque y llénelo en el suelo. Si esto no es posible, llene el equipo en un remolque con un contenedor portátil, en vez de con una boquilla dispensadora de gasolina.
- Mantenga la boquilla dispensadora en contacto con el borde del depósito de combustible o con la abertura del recipiente en todo momento, hasta terminar la carga. No utilice un dispositivo de apertura/cierre de boquilla.

FUNCIONAMIENTO

1. No ponga las manos o los pies cerca de las piezas rotatorias, en la caja de la barrena / impulsor o en el montaje del canal de descarga. El contacto con las piezas giratorias puede resultar en la amputación de manos o pies.
2. La palanca de control de la barrena / impulsor es un dispositivo de seguridad. Nunca evite su funcionamiento. De hacerlo la operación de la máquina es riesgosa y puede ocasionar lesiones.
3. Las palancas de control deben funcionar bien en ambas direcciones y regresar automáticamente a la posición de desengrane cuando se las suelta.
4. Nunca opere la máquina si falta un montaje del canal o si el mismo está dañado. Mantenga todos los dispositivos de seguridad en su lugar y en funcionamiento.
5. Nunca encienda el motor en espacios cerrados o en una zona con poca ventilación. El escape del motor contiene monóxido de carbono, un gas inodoro y letal.
6. No utilice la máquina bajo la influencia del alcohol o las drogas.
7. El silenciador y el motor se calientan y pueden causar quemaduras. No los toque. Mantenga a los niños alejados.
8. Sea sumamente precavido cuando opere la máquina sobre una superficie con grava o cuando la cruce. Manténgase alerta por si se presentan peligros ocultos o tránsito.
9. Tenga cuidado cuando cambie de dirección o cuando opere la máquina en pendientes. No use la máquina en pendientes pronunciadas.
10. Planifique el patrón en el que va a ir arrojando nieve para evitar que la descarga de material se produzca hacia las ventanas, las paredes, los automóviles, etc. y evitar así posibles daños materiales o lesiones producidas por los rebotes.
11. Nunca dirija la descarga hacia los niños, los observadores o las mascotas ni deje que nadie se pare delante de la máquina.
12. No sobrecargue la capacidad de la máquina tratando de sacar la nieve muy rápidamente.
13. Nunca opere esta máquina sin buena visibilidad o iluminación. Siempre debe estar seguro de que está bien afirmado y sujetando firmemente las manijas. Camine, nunca corra.
14. Corte la corriente a la barrena/impulsor cuando transporte la máquina o cuando la misma no está en uso.
15. Nunca opere la máquina a alta velocidad de desplazamiento sobre superficies resbaladizas. Mire hacia abajo y hacia atrás y tenga cuidado cuando vaya marcha atrás.
16. Si la máquina comenzara a vibrar de manera anormal, detenga el motor, desconecte el cable de la bujía y póngala de manera que haga masa contra el motor. Inspeccione la máquina minuciosamente para ver si está dañada. Repare todos los daños antes de encender y operar la máquina.
17. Desengrane todas las palancas de control y detenga el motor antes de dejar la posición de operación (detrás de las manijas). Espere a que la barrena/impulsor se detenga por completo antes de destapar el montaje del canal o realizar ajustes e inspecciones.
18. Nunca ponga las manos en las aberturas de descarga o de recolección. No destape el montaje del canal mientras el motor está en funcionamiento. Antes de destaparlo, apague el motor y permanezca detrás de las manijas hasta que todas las partes móviles se hayan detenido.
19. Use sólo uniones y accesorios aprobados por el fabricante (por ejemplo, pesas para las ruedas, cadenas para los neumáticos, cabinas, etc.).
20. Para encender el motor, jale de la cuerda lentamente hasta que sienta resistencia, luego jale rápidamente. El repliegue rápido de la cuerda de arranque (tensión de retroceso) le jalará la mano y el brazo hacia el motor más rápido de lo que usted puede soltar. El resultado pueden ser huesos rotos, fracturas, hematomas o esguinces.
21. Si se presentan situaciones que no están previstas en este manual, sea cuidadoso y use el sentido común. Póngase en contacto con Asistencia al Cliente para solicitar ayuda y el nombre del distribuidor de servicio más cercano.

INSTRUCCIONES DE SEGURIDAD

DESPEJE DE UN CANAL DE DESCARGA OBSTRUÍDO

El contacto de las manos con el impulsor rotatorio que está dentro del canal de descarga es la causa más común de lesiones asociadas con las máquinas quitanieve. Nunca use su mano para limpiar el canal de descarga.

Para despejar el canal:

1. ¡APAGUE EL MOTOR!
2. Espere 10 segundos para estar seguro de que las cuchillas del motor han dejado de rotar.
3. Utilice siempre una herramienta de limpieza, no use las manos.

MANTENIMIENTO Y ALMACENAMIENTO

1. Nunca altere los dispositivos de seguridad. Controle periódicamente que funcionen correctamente. Remítase a las secciones de mantenimiento y ajuste de este manual.
2. Antes de realizar la limpieza, reparar o revisar la máquina, desengrane todas las palancas de control y detenga el motor. Espere a que la barrena/impulsor se detenga por completo. Desconecte el cable de la bujía y póngalo haciendo masa contra el motor para evitar que se encienda accidentalmente.
3. Controle frecuentemente que todos los pernos y tornillos estén bien ajustados para comprobar que la máquina se encuentra en condiciones seguras de funcionamiento. Además, haga una inspección visual de la máquina para verificar si está dañada.
4. No cambie la configuración del regulador del motor ni acelere demasiado el mismo. El regulador del motor controla la velocidad máxima segura de funcionamiento del motor.
5. Las placas de raspado y las zapatas antideslizantes que se usan con la máquina quitanieve se desgastan y se dañan. Para proteger su seguridad, verifique frecuentemente todos los componentes y reemplácelos sólo con partes de los fabricantes de equipos originales (OEM). ¡El uso de piezas que no cumplen con las especificaciones del equipo original puede resultar en rendimiento inadecuado además de poner en riesgo la seguridad!
6. Revise las palancas de control periódicamente para verificar que engranen y desengranen adecuadamente y ajústelos si es necesario. Consulte la sección de ajustes de este manual del operador para obtener instrucciones.
7. Mantenga o reemplace las etiquetas de seguridad e instrucciones según sea necesario.
8. Respete las normas referentes a la disposición correcta y las regulaciones sobre gasolina, aceite, etc. para proteger el medio ambiente.
9. Antes de almacenar la máquina enciéndala unos minutos para sacar la nieve que haya quedado en la misma y para evitar así que se congele la barrena/impulsor.
10. Nunca almacene la máquina o el recipiente de combustible en un espacio cerrado donde haya fuego, chispas o luz piloto como por ejemplo, calentadores de agua, hornos, secadores de ropa, etc.
11. Consulte siempre el manual del operador para obtener instrucciones adecuadas para el almacenamiento fuera de temporada.
12. Verifique frecuentemente la línea de combustible, el tanque, el tapón, y los accesorios buscando rajaduras o pérdidas. Reemplace de ser necesario.
13. No dé arranque al motor si no está la bujía de encendido.

14. Según la Comisión de Seguridad de Productos para el Consumidor de los Estados Unidos (CPSC) y la Agencia de Protección Ambiental de los Estados Unidos (EPA), este producto tiene una *vida útil media* de siete (7) años ó 60 horas de funcionamiento. Al finalizar la *vida útil media* haga inspeccionar anualmente esta unidad por un distribuidor de servicio autorizado para cerciorarse de que todos los sistemas mecánicos y de seguridad funcionan correctamente y no tienen excesivo desgaste. Si no lo hace, pueden producirse accidentes, lesiones o la muerte.

NO MODIFIQUE EL MOTOR

Para evitar lesiones graves o la muerte, no modifique el motor bajo ninguna circunstancia. Si cambia la configuración del regulador del motor, éste puede descontrolarse y operar a velocidades inseguras. Nunca cambie la configuración de fábrica del regulador del motor.

AVISO REFERIDO A EMISIONES

Los motores que están certificados y cumplen con las regulaciones de emisiones federales EPA y de California para SORE (Equipos pequeños todo terreno) están certificados para operar con gasolina común sin plomo y pueden incluir los siguientes sistemas de control de emisiones: Modificación de motor (EM), catalizador oxidante (OC), inyección de aire secundaria (SAI) y catalizador de tres vías (TWC) si están equipados de esa manera.

Amortiguador de chispas

⚠ ADVERTENCIA

Esta máquina está equipada con un motor de combustión interno y no debe ser utilizada en o cerca de un terreno agreste cubierto por bosque, malezas o hierba excepto que el sistema de escape del motor esté equipado con un amortiguador de chispas que cumpla con las leyes locales o estatales correspondientes (en caso de existir)

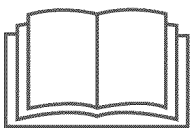







Si se utiliza un amortiguador de chispas el operador lo debe mantener en condiciones de uso adecuadas. En el Estado de California las medidas anteriormente mencionadas son exigidas por ley (Artículo 4442 del Código de Recursos Públicos de California). Es posible que existan leyes similares en otros estados. Las leyes federales se aplican en territorios federales.

Puede conseguir el amortiguador de chispas para el silenciador a través de su distribuidor de mantenimiento de motores autorizado más cercano o poniéndose en contacto con el departamento de servicios, Apartado Postal 361131 Cleveland, Ohio 44136-0019.

INSTRUCCIONES DE SEGURIDAD

Símbolos de seguridad

En esta página se presentan y describen los símbolos de seguridad que pueden aparecer en este producto. Lea, entienda y cumpla todas las instrucciones incluidas en la máquina antes de intentar realizar el montaje de la unidad y utilizarla.

Símbolo	Descripción
	LEA EL(LOS) MANUAL(ES) DEL OPERADOR Lea, entienda y cumpla todas las instrucciones incluidas en el(los) manuales antes de intentar realizar el montaje de la unidad y utilizarla.
	ADVERTENCIA - CUCHILLAS GIRATORIAS Mientras la máquina está en funcionamiento mantenga las manos fuera de las aberturas de entrada y de descarga. En el interior hay cuchillas giratorias
	ADVERTENCIA - CUCHILLAS GIRATORIAS Mientras la máquina está en funcionamiento mantenga las manos fuera de las aberturas de entrada y de descarga. En el interior hay cuchillas giratorias
	ADVERTENCIA - CUCHILLAS GIRATORIAS No ponga las manos o los pies cerca de las piezas rotatorias, en la caja de la barrena/motor o en el montaje del canal de descarga. El contacto con las piezas giratorias puede resultar en la amputación de manos o pies.
	ADVERTENCIA - OBJETOS ARROJADOS Esta máquina puede levantar y arrojar objetos lo cual puede causar lesiones personales graves.
	ADVERTENCIA - LA GASOLINA ES INFLAMABLE Deje que el motor se enfríe por lo menos dos minutos antes de cargar combustible.
	ADVERTENCIA - MONÓXIDO DE CARBONO Nunca encienda el motor en espacios cerrados o en una zona con poca ventilación. El escape del motor contiene monóxido de carbono, un gas inodoro y letal.
	ADVERTENCIA - DESCARGAS ELÉCTRICAS No use el arranque eléctrico del motor bajo la lluvia

MONTAJE

NOTA: Todas las referencias a los lados derecho o izquierdo de la máquina quitanieve se hacen observando la misma desde la posición del operador. En caso de que hubiese una excepción, se especificará claramente.

CÓMO DESEMBALAR LA MÁQUINA QUITANIEVE

1. Abra la parte de arriba de la caja.
2. Corte las esquinas del frente de la caja y doble hacia abajo el frente.
3. Saque la máquina quitanieve de la caja. Asegúrese de no dañar el canal ni los cables que están conectados a él (se envía debajo de la cubierta en la parte posterior de la caja).

MONTAJE

Colocación de la barra de control superior

1. Extraiga las perillas de aletas y los pernos del carro de la parte de arriba de la manija inferior. Vea la Figura 1. No es necesario extraer el tornillo con borde y la tuerca de seguridad con brida que están debajo de la perilla de aletas y el perno de carro.

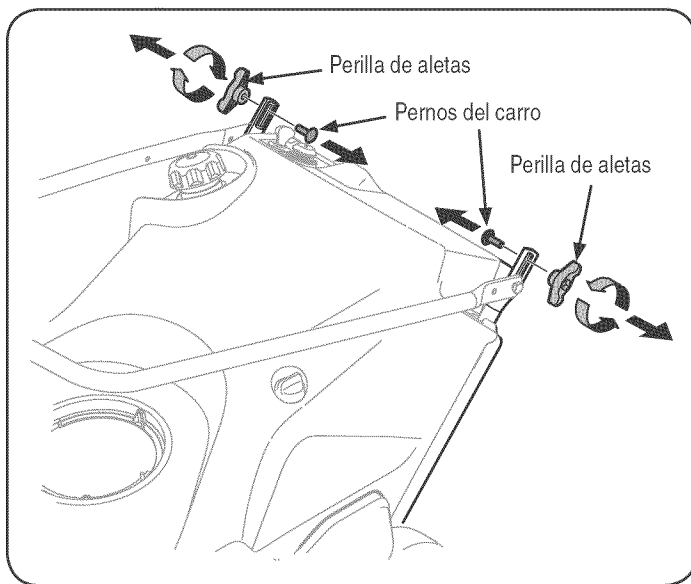


Figura 1

2. Gire la manija superior a la posición de funcionamiento. Asegúrese de no apretar los cables en el proceso. Vea la Figura 2.

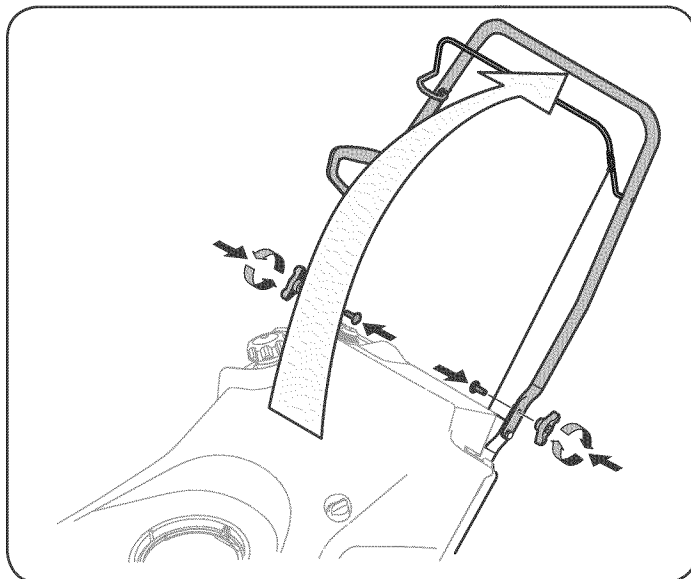


Figura 2

3. Ajuste los elementos de ferretería que extrajo previamente para sujetar la manija en su lugar. Vea la Figura 2.

Instalación del canal

1. Coloque el conducto de la manija en la rampa inferior como se muestra en la Figura 3. Asegúrese de que el mango esté alineado en el canal de la tolva y las lengüetas encajen en su lugar.

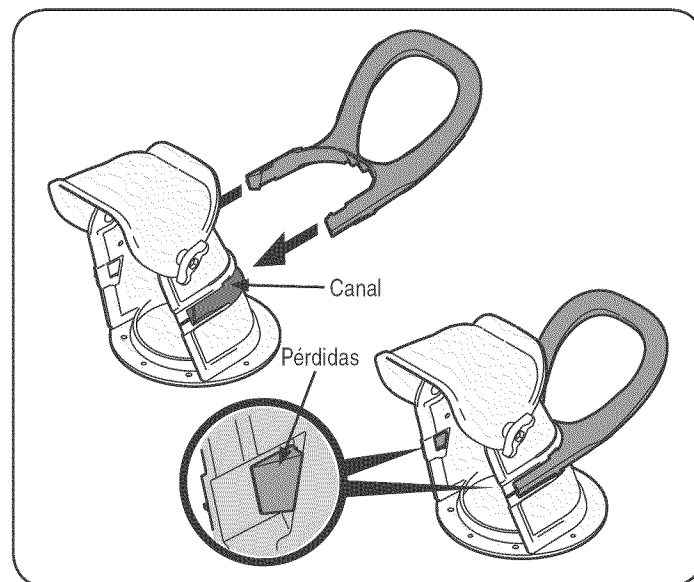


Figura 3

2. Extraiga los tornillos de la base del canal. Vea la Figura 4.

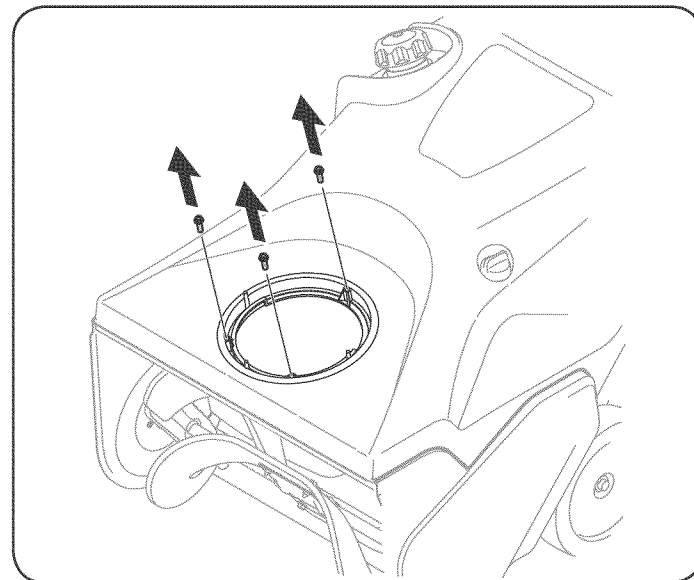


Figura 4

MONTAJE

3. Alinee los orificios de la base del canal con los orificios del canal inferior y sujételo con los tornillos que extrajo anteriormente. Vea la Figura 5.

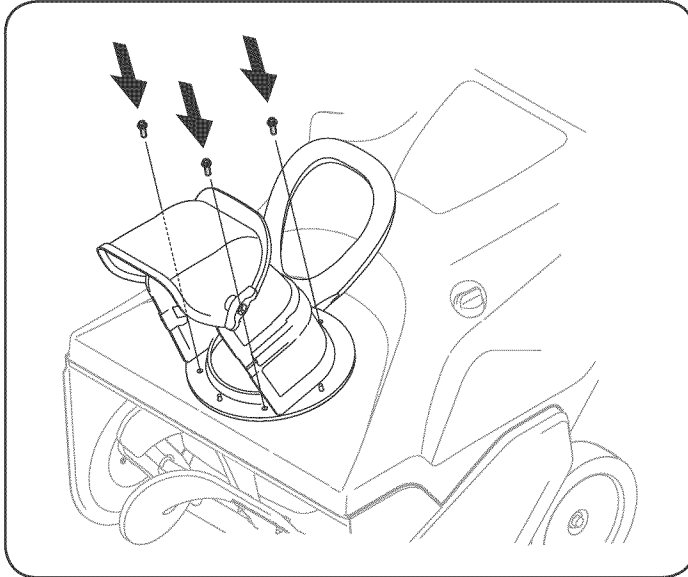


Figura 5

Instalación de la manija del arrancador

1. Retire el perno y la manija de la bolsa de mando manual.
2. Coloque el perno de ojo y del mango en la manija superior como se muestra en la Figura 6. No apriete el hardware hasta que se lo indiquen.

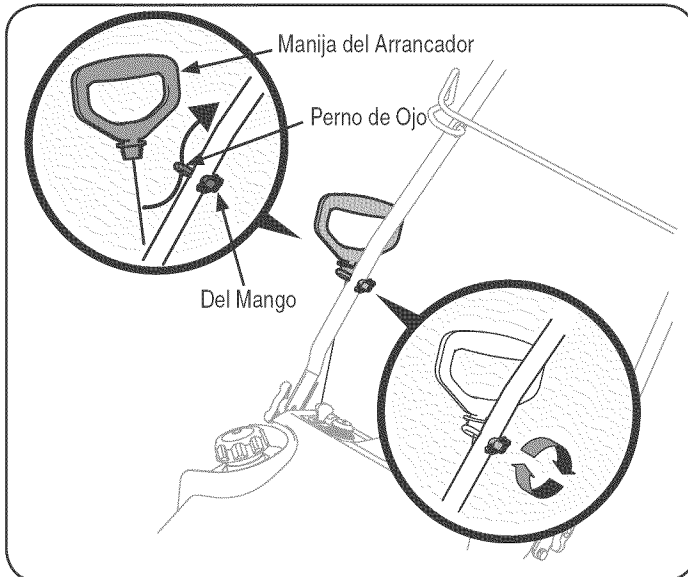


Figura 6

NOTA: La apertura del perno de ojo debe mirar hacia la parte posterior de la máquina quitanieves.

3. Tire suavemente de la manija de arranque manual hacia el perno de ojo.
4. Deslice el cable de arranque de arranque en la armella de la parte trasera de la máquina quitanieves. Vea la Figura 6.
5. Apriete firmemente el perno de ojo y del mango.

CONFIGURACIÓN

Recomendaciones sobre el combustible

Utilice gasolina para automóviles (sin plomo o bajo contenido de plomo para minimizar los depósitos en la cámara de combustión) con un mínimo de 87 octanos. Se puede usar gasolina con hasta un 10% de etanol o un 15% de MTBE (éter metílico terciario-butílico). Nunca use una mezcla de aceite y gasolina ni gasolina sucia. Evite que se introduzca suciedad, polvo o agua en el tanque de combustible. NO utilice gasolina E85.

- Cargue combustible en un área bien ventilada y con el motor apagado. No fume ni permita llamas o chispas en el lugar donde se carga combustible o se almacena la gasolina.
- No llene en exceso el depósito de combustible. Después de cargar combustible, asegúrese de que el tapón del depósito esté bien cerrado y asegurado.
- Tenga cuidado de no derramar combustible al realizar la recarga. El combustible derramado o sus vapores se pueden incendiar. Si se derrama combustible, asegúrese de que el área esté seca antes de arrancar el motor.
- Evite el contacto repetido o prolongado con la piel y la inhalación de los vapores.

Carga de combustible

⚠ ADVERTENCIA

Tenga mucho cuidado al trabajar con gasolina. La gasolina es sumamente inflamable y sus vapores pueden causar explosiones. Nunca agregue combustible a la máquina en interiores ni mientras el motor está caliente o en funcionamiento. Apague cigarrillos, cigarros, pipas y otras fuentes de combustión.

⚠ ADVERTENCIA

Siempre mantenga las manos y los pies alejados de las piezas móviles del equipo. No utilice fluidos comprimidos para arrancar. Los vapores son inflamables.

1. Extraiga la tapa del combustible, controle el nivel y cargue más combustible de ser necesario.

MONTAJE

Procedimiento para controlar y agregar aceite

⚠ PRECAUCIÓN

El motor se envía sin aceite en el motor. Antes de poner el motor en marcha debe llenarlo de aceite. Si se hace funcionar el motor sin suficiente aceite puede causar daños graves al motor y anular la garantía del producto.

1. Coloque la máquina quitanieve en una superficie firme y nivelada.
2. Retire el tapón de llenado/varilla de medición de aceite y limpie bien la varilla. Vea la Figura 7.

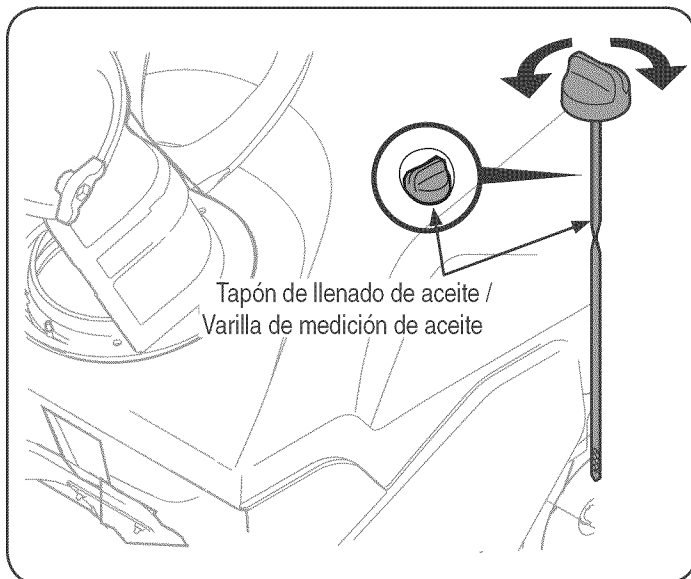


Figura 7

NOTA: No utilice aceite sintético para las primeras cinco horas de uso. Use aceite siempre.

3. Introduzca el tapón / la varilla de medición de aceite dentro del cuello de llenado de aceite pero no los atornille.

4. Saque el tapón / la varilla de medición de aceite. Si el nivel es bajo, agregue lentamente aceite hasta que el nivel registrado esté en un punto intermedio entre alto (H) y bajo (L), Figura 8.

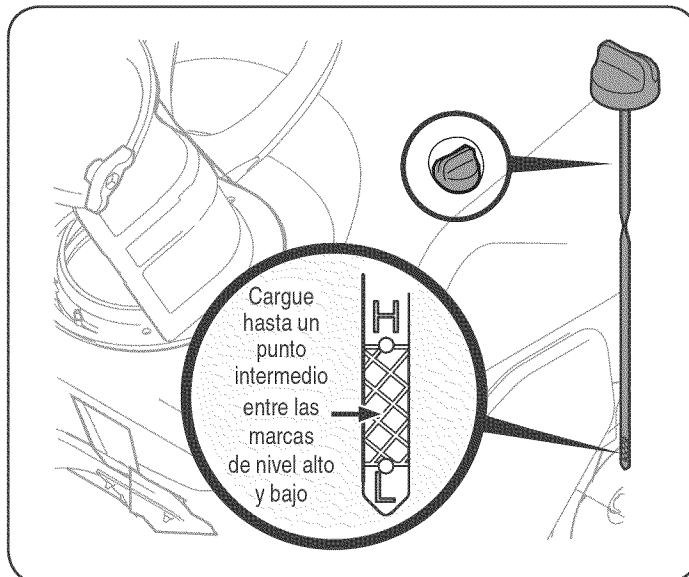


Figura 8

NOTA: No lo llene en exceso. Si se carga demasiado aceite se puede generar humo, problemas de arranque o suciedad en la bujía.

5. Vuelva a colocar el tapón / la varilla de medición de aceite bien ajustados antes de poner en marcha el motor.

NOTA: NO permita que el nivel de aceite caiga por debajo de la marca "L" de la varilla de medición. Si lo hace el equipo puede funcionar mal o dañarse.

NOTA: Para cambiar el aceite del motor, consulte la sección de Mantenimiento de este manual.

FUNCIONAMIENTO

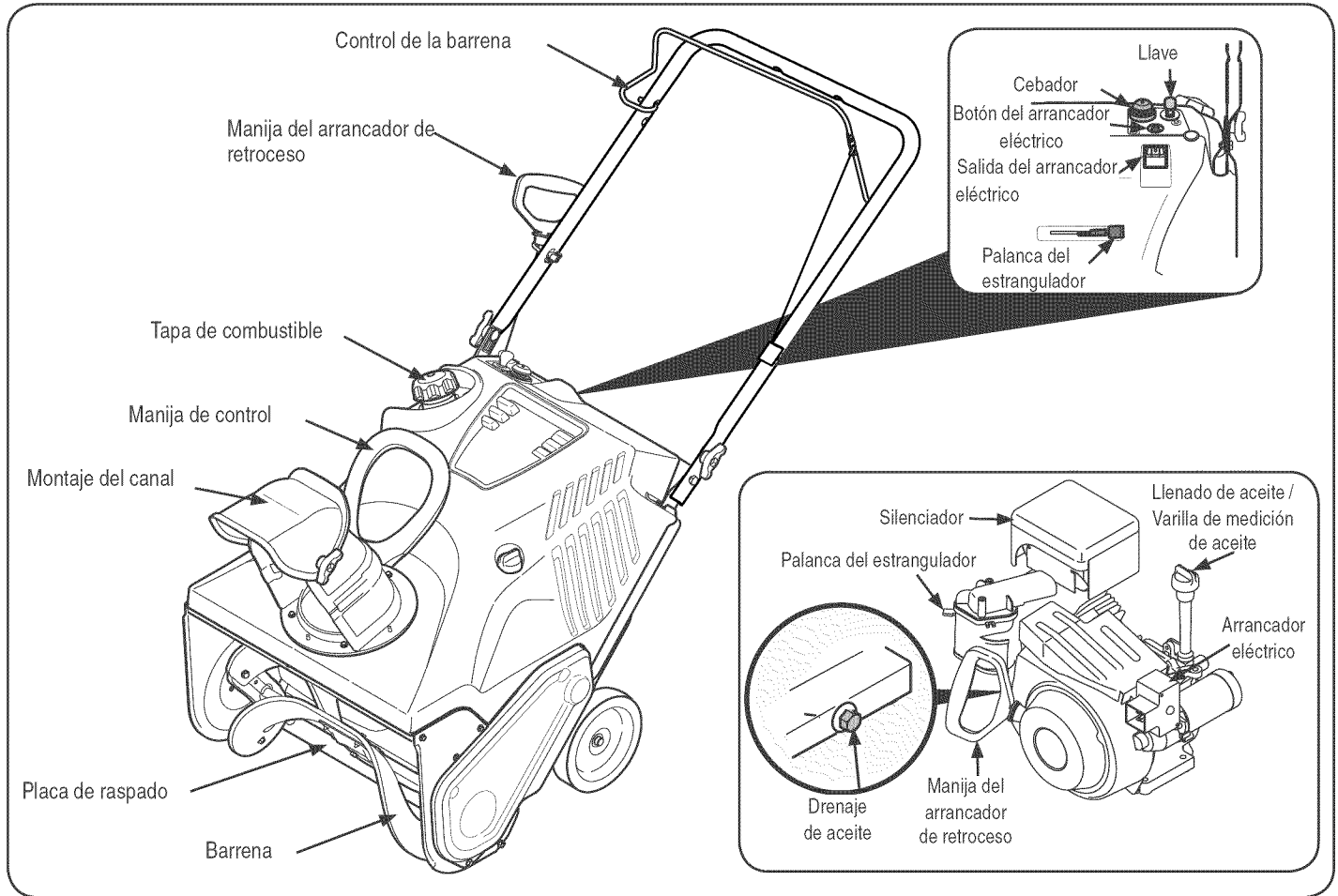
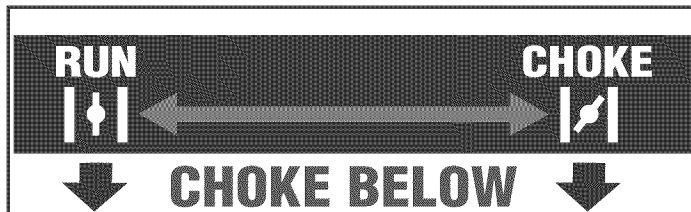


Figura 9

Ahora que ya ha ajustado su máquina quitanieve para el funcionamiento, es importante familiarizarse con sus controles y características. Consulte la Figura 9.

CONTROL DEL ESTRANGULADOR



Al activar el control del cebador se cierra la placa estranguladora del carburador y se ayuda a arrancar el motor. La palanca del estrangulador se desliza entre las posiciones RUN (funcionamiento) y CHOKE (estrangulador).

CEBADOR

Al presionar el cebador, asegúrese de cubrir el agujero de ventilación al empujar, las fuerzas de combustible directamente en el carburador del motor para ayudar en el clima frío de partida.



MANIJA DEL ARRANCADOR DE RETROCESO

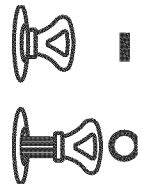
La manija del arrancador de retroceso se utiliza para encender el motor.

TAPA DE COMBUSTIBLE

Saque el tapón del combustible para agregar combustible.

LLAVE

La llave es un dispositivo de seguridad. Debe estar completamente insertada para que el motor arranque. Extraiga la llave cuando no use la máquina quitanieve.



NOTA: No gire la llave para intentar arrancar el motor. Al hacerlo podría romperla.

BARRENA

Cuando está engranada, la rotación de la barrena dirige la nieve dentro de la caja de la barrena y la arroja hacia afuera por el canal de descarga. Las paletas de caucho de la barrena también ayudan a impulsar la máquina quitanieve al ponerse en contacto con el pavimento.

Cumple con los estándares de seguridad de ANSI

Las máquinas quitanieve Craftsman cumplen con los estándares de seguridad del Instituto Estadounidense de Estándares Nacionales (ANSI).

FUNCIONAMIENTO

CONTROL DE LA BARRENA

La manija de control de la barrena está ubicada en la barra superior y se usa para engranar y desengranar la transmisión de la barrena. Apriete la manija de control contra la barra de control superior para engranar la barrena, aflójela para desengranarla.

MONTAJE DEL CANAL

Haga rotar el canal de descarga hacia la izquierda o derecha usando la manija de control. La inclinación del canal de descarga controla el ángulo con el que se arroja la nieve. Afloje la perilla de aletas del costado del canal de descarga antes de girar el canal de descarga hacia arriba o hacia abajo. Vuelva a ajustar la perilla después de alcanzar la posición deseada.

PLACA DE RASPADO

La placa de raspado hace contacto con el pavimento a medida que se impulsa la máquina quitanieve, permitiendo que se descargue la nieve que está cerca de la superficie del pavimento.

SALIDA DEL ARRANCADOR ELÉCTRICO

Es necesario usar un prolongador para exteriores de tres patas (no incluido) y una fuente de alimentación/tomacorriente de pared de 120V.

BOTÓN DEL ARRANCADOR ELÉCTRICO

Si oprime el botón del arrancador eléctrico se engrana el arrancador eléctrico del motor cuando se lo enchufa a una fuente de energía de 120V.

VARILLA DE LLENADO/NIVEL DE ACEITE

Es posible controlar el nivel de aceite del motor, así como también agregar aceite, a través del llenado de aceite.

DRENAJE DEL ACEITE

El aceite del motor se puede drenar a través del tubo de drenaje.

SILENCIADOR

El escape del motor sale del motor a través del silenciador.

ANTES DE ARRANCAR EL MOTOR

⚠ ADVERTENCIA

Lea, comprenda y siga todas las instrucciones y advertencias que aparecen en la máquina y en este manual antes de hacerla funcionar.

ENCENDIDO DEL MOTOR

⚠ ADVERTENCIA

Siempre mantenga las manos y los pies alejados de las partes móviles. No utilice fluidos comprimidos para arrancar. Los vapores son inflamables.

⚠ ADVERTENCIA

Para evitar el envenenamiento por monóxido de carbono, asegúrese de que el motor esté al aire libre en un área bien ventilada.

1. Verifique que el control de la barrena se encuentre en posición desenganchada (suelta).
2. Inserte la llave de encendido en la ranura. Asegúrese de que entre a presión en su lugar. No intente girar la llave. Vea la Figura 10.

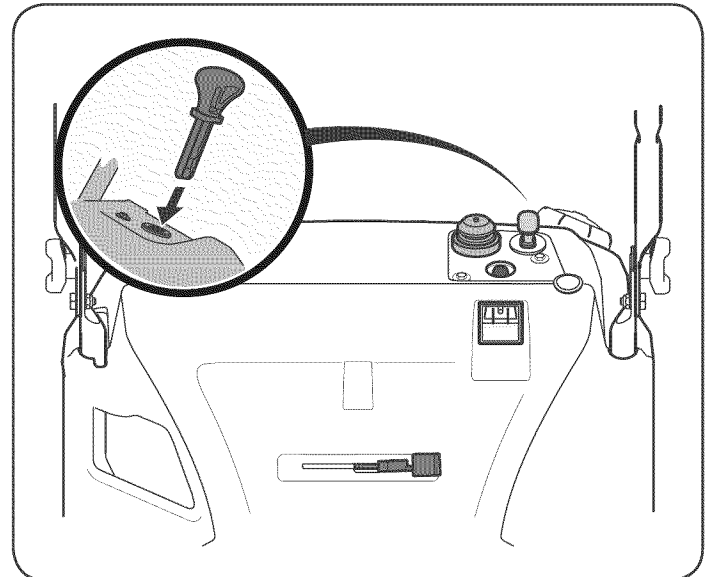


Figura 10

NOTA: El motor no puede arrancar si la llave no está completamente insertada en el interruptor de encendido.

Botón del arrancador

FUNCIONAMIENTO

Determine si el cableado de su hogar es un sistema de tres cables conectado a tierra. Consulte con un electricista matriculado si no está seguro.

Si cuenta con un receptáculo para tres patas conectado a tierra, realice los siguientes pasos:

1. Conecte el prolongador a la salida situada en la superficie del motor. Conecte el otro extremo del prolongador a un tomacorriente de CA, 120 voltios con conexión a tierra, para tres patas, en un área bien ventilada. Vea la Figura 11.
2. Empuje la palanca del estrangulador a la posición CHOKE

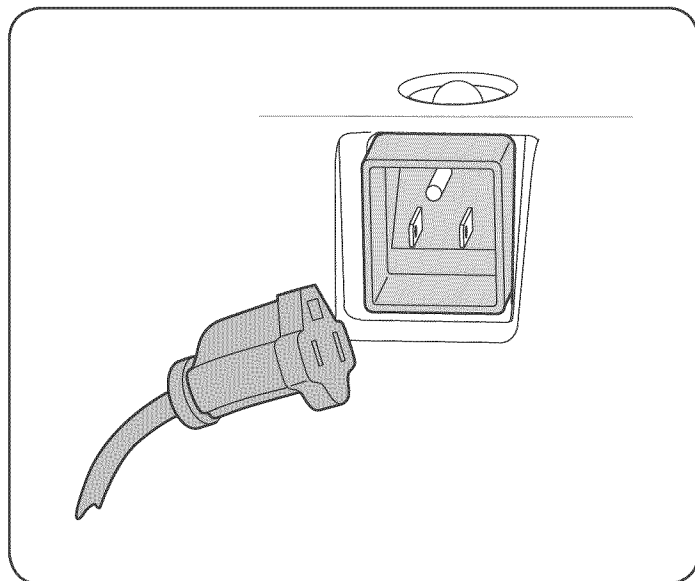


Figura 11

- (estrangulador)
3. Si el motor ya está caliente, ubique el regulador en la posición RUN (funcionamiento) en lugar de CHOKE (estrangulador) .
 4. Presione tres (3) veces el botón de cebado, asegurándose de cubrir el orificio de ventilación al presionar.
 5. Si el motor está caliente, presione el botón del cebador una sola vez.
 6. Presione el botón del arrancador para arrancar el motor.
 7. Una vez encendido el motor, suelte el botón del arrancador.
 8. Deje que el motor se caliente varios minutos, ajustando el estrangulador hacia la posición RUN (funcionamiento) . Espere hasta que el motor funcione suavemente antes de cada ajuste de la obturación.
 9. Cuando desconecte el prolongador, desenchufe siempre el extremo que está en el tomacorrientes de tres patas de la pared antes de desenchufar el extremo opuesto que está en la máquina quitanieve.

Arrancador de retroceso

1. Empuje la palanca del estrangulador a la posición CHOKE (estrangulador) .
2. Si el motor ya está caliente, ubique el regulador en la posición RUN (funcionamiento) en lugar de CHOKE (estrangulador) .
3. Presione tres (3) veces el botón de cebado, asegurándose de cubrir el orificio de ventilación al presionar.
4. Si el motor está caliente, presione el botón del cebador una sola vez.
5. Tome la manija del arrancador de retroceso y tire de la cuerda hacia afuera lentamente. En el punto que se hace levemente más difícil tirar de la cuerda, permita que la misma retroceda lentamente.

6. Tire de la manija del arrancador con un movimiento firme y rápido. No suelte la manija ni deje que retroceda a su posición original. Mantenga la manija del arrancador firmemente sujeta y deje que la cuerda retroceda lentamente.
7. Deje que el motor se caliente varios minutos, ajustando el estrangulador hacia la posición RUN (funcionamiento) . Espere hasta que el motor funcione suavemente antes de cada ajuste de la obturación.

DETENCIÓN DEL MOTOR

1. Deje el motor encendido durante algunos minutos antes de detenerlo para ayudar a secar toda la humedad del motor.
2. Para detener el motor saque la llave y guárdela en un lugar seguro.
3. Limpie toda la nieve y la humedad del área de los controles del motor.

ADVERTENCIA

El silenciador, el motor y las áreas circundantes se recalientan y pueden causar quemaduras. Sea precavido y no los toque cuando están calientes.

ENGANCHE DE LA BARRENA

Para engranar la barrena apriete la manija de control contra la barra de control superior. Suelte el control para detener la barrena.

ENGANCHE DE LA TRANSMISIÓN

Levante apenas la barra para permitir que las paletas de caucho de la barrena toquen el pavimento e impulse la máquina quitanieve hacia adelante. Si presiona la barra hacia abajo, elevará la barrena del suelo y detendrá el avance de la máquina.

NOTA: Si la presión ascendente sobre la manija es excesiva tendrá como resultado un desgaste prematuro de las paletas de caucho de la barrena y esto no estará cubierto por la garantía.

DESPEJE DE UN CANAL DE DESCARGA OBSTRUIDO

El contacto de las manos con el impulsor rotatorio que está dentro del canal de descarga es la causa más común de lesiones asociadas con las máquinas quitanieve. Nunca use su mano para limpiar el canal de descarga.

Para despejar el canal:

1. ¡APAGUE EL MOTOR!
2. Espere 10 segundos para estar seguro de que las cuchillas del motor han dejado de rotar.
3. Utilice siempre una herramienta de limpieza o varilla, no use las manos.

SERVICIO Y MANTENIMIENTO

PROGRAMA DE MANTENIMIENTO

⚠️ ADVERTENCIA

Antes de realizar cualquier tipo de mantenimiento o servicio, desenganche todos los controles y detenga el motor. Espere a que se detengan completamente todas las piezas móviles. Desconecte el cable de la bujía y póngalo haciendo masa contra el motor para evitar que se encienda accidentalmente. Utilice siempre anteojos de seguridad durante el funcionamiento o mientras ajusta o repara este equipo.

Siga el cronograma de mantenimiento que se presenta a continuación. Esta tabla sólo describe pautas de servicio. Utilice la columna Registro de Servicio para hacer el seguimiento de las tareas de mantenimiento completadas. **Para ubicar el Centro de Servicio Sears más cercano o para programar un servicio, simplemente comuníquese con Sears al teléfono 1-800-4-MY-HOME®.**

Intervalo	Artículo	Servicio	Registro de servicio
Cada uso	1. Nivel de aceite del motor. 2. Máquina quitanieve y área de escape.	1. Verificar 2. Limpiar	
Tras 5 horas	1. Aceite del motor.	1. Cambio.	
Cada 5 horas	1. Aceite del motor. 2. Área del escape.	1. Verificar. 2. Limpieza.	
25 horas	1. Bujía de encendido.	1. Verificar.	
Cada temporada/50 horas	1. Aceite del motor	1. Cambiar	
Cada temporada/100 horas	1. Bujía de encendido	1. Limpiar, reemplazar, regular	
Cada temporada/antes de almacenar	1. Puntos de pivote 2. Manija de control 3. Resorte de extensión	1. Lubricar 2. Lubricar 3. Lubricar	

MANTENIMIENTO DEL MOTOR

⚠️ PRECAUCIÓN

Lávese bien las manos con agua y jabón inmediatamente después de tocar aceite usado.

Recomendaciones sobre el aceite

Cuando le agregue aceite al motor, consulte la tabla de viscosidad que aparece más abajo (Figura 12).

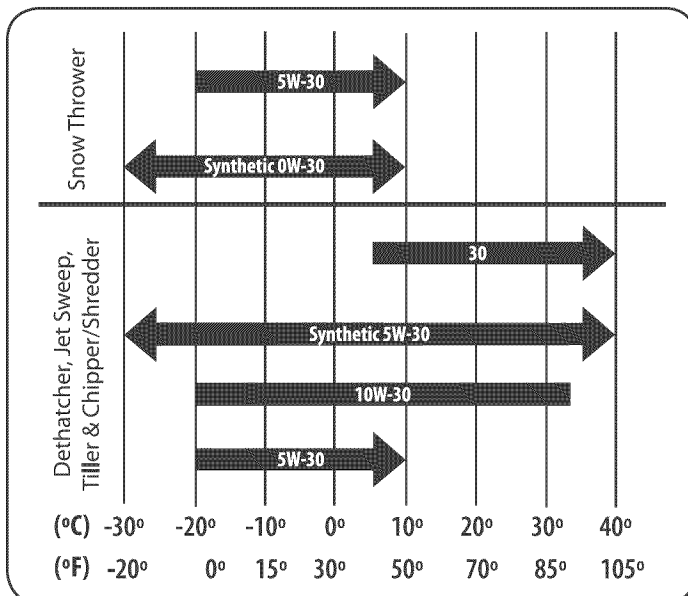


Figura 12

La capacidad de aceite del motor es 600 ml (aprox. 20 onzas). No llene excesivamente. Use un aceite para motor de cuatro tiempos, o un aceite de-tergente de calidad premium equivalente con certificado que cubra o exceda las exigencias de los fabricantes de automóviles americanos respecto de la clasificación de servicio SG y SF. Los aceites para motor con la clasificación SG, SF tienen esta designación en el envase.

NOTA: Elimine el aceite usado del motor de una manera que no perjudique el medio ambiente. Llévelo a un centro de reciclado u otro centro de recolección.

⚠️ PRECAUCIÓN

NO utilice aceites sin detergente ni aceite para motor de dos tiempos. Podría reducirse la vida útil del motor.

Cambio del aceite del motor

⚠️ ADVERTENCIA

Apague el motor y retire la llave de encendido antes de realizar cualquier trabajo de mantenimiento. Para evitar una puesta en marcha accidental, desconecte la funda de la bujía.

La inspección y los ajustes periódicos del motor son esenciales si se desea mantener un alto nivel de desempeño. El mantenimiento regular también garantizará una prolongada vida útil del motor. Los intervalos de mantenimiento requeridos y el tipo de mantenimiento a realizar se describen en la tabla precedente. Siga los intervalos por hora o calendarios, lo que ocurra primero. Cuando se opera en condiciones adversas es necesario llevar a cabo un mantenimiento más frecuente. Controle el nivel de aceite antes de cada uso y cada 5 horas de funcionamiento cuando el motor está tibio. Consulte Procedimiento para controlar y agregar aceite en la sección Armado. Cambie el aceite después de las 5 primeras horas de operación y cada 50 horas de operación a partir de ese momento. El motor debe estar tibio aún pero NO caliente por su uso reciente.

SERVICIO Y MANTENIMIENTO

1. Drene el combustible del tanque haciendo funcionar el motor hasta que el tanque de combustible esté vacío. Asegúrese de que el tapón de llenado de combustible es seguro.
2. Retire los tres tornillos que sujetan el panel inferior. Quite el panel inferior levantando en el panel para liberar las pestañas en la parte inferior del panel de las ranuras de la ficha y luego retirarse. Vea la Figura 13.

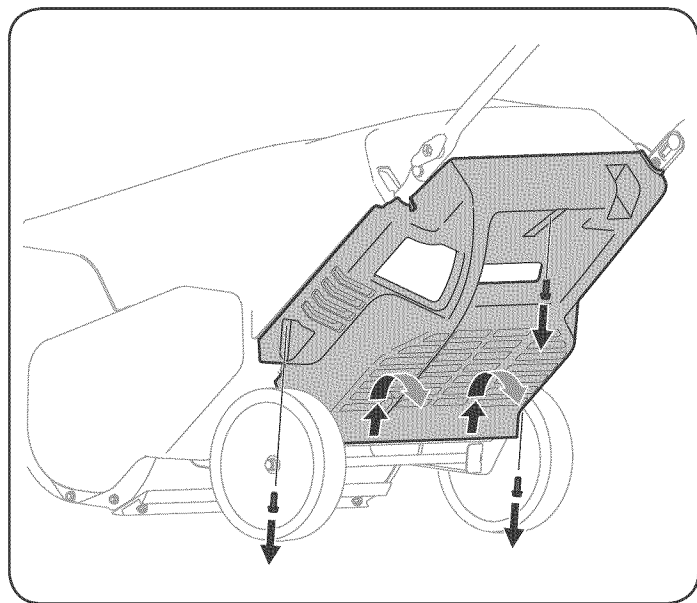


Figura 13

NOTA: La parte inferior del panel tiene etiquetas que ayudan a mantenerlo en su lugar.

NOTA: Una fuga de aceite kit de extensión está disponible por separado. Contacte a un Sears y el Centro de Reparación para el paquete No. 753-06684.

3. Colocar un recipiente de recolección de aceite adecuado debajo del tapón de drenaje.
4. Retire el tapón de vaciado, la Figura 14.

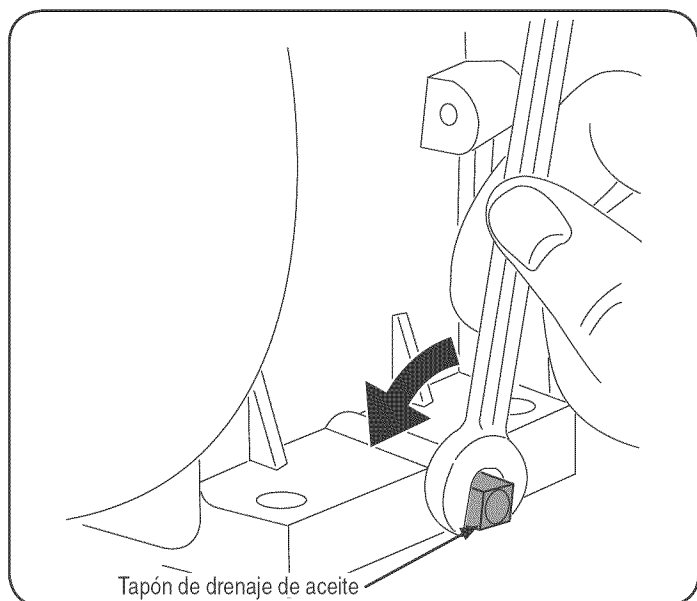


Figure 14

5. Inclina la máquina quitanieves de nuevo a fuga de aceite en el recipiente. El aceite usado deberá ser depositado en un centro de recolección adecuado.

6. Vuelva a colocar el tapón de vaciado y apriételo firmemente.
7. Rellene con el aceite recomendado y compruebe el nivel de aceite, consulte Comprobación y adición de aceite en la Sección de la Asamblea.
8. Vuelva a colocar la tapa de relleno / varilla indicadora de nivel.
9. Vuelva a instalar el panel inferior mediante la colocación de las etiquetas de las ranuras de la ficha, levantando el panel en su lugar y asegúrelo con los tres tornillos que quitó en el paso 2. Bujía de encendido

Funda de bujía

⚠ ADVERTENCIA

NO pruebe la chispa si no está la bujía de encendido. NO dé arranque al motor si no está la bujía de encendido.

⚠ ADVERTENCIA

Si el motor ha estado funcionando, el silenciador estará muy caliente. Tenga cuidado de no tocar el silenciador.

Se debe controlar la bujía cada 25 horas y se la debe cambiar una vez por temporada o cada 100 horas. Para asegurarse de que el motor funcione bien, la bujía debe tener una separación correcta y también debe estar libre de depósitos.

1. Quite el panel inferior como se indica en la sección de Cambio de aceite del motor. Consulte la Figura 13.

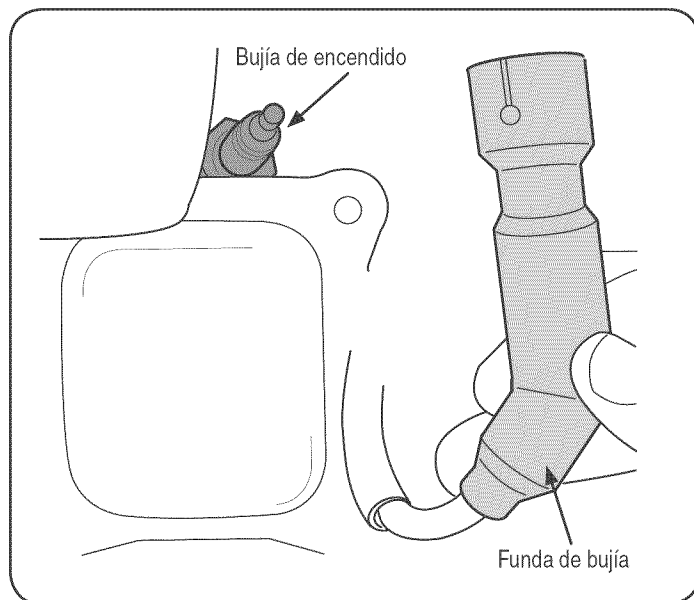


Figura 15

2. Retire la funda de la bujía y utilice una llave para bujías para extraerla, Figura 15.
3. Inspeccione visualmente la bujía. Elimine la bujía si presenta desgaste visible, o si el aislante está agrietado o astillado. Limpie la bujía con un cepillo de alambre si se va a reutilizar.

NOTA: Para el reemplazo se debe utilizar una bujía de resistor. Contacte con un centro de partes y reparación Sears para una bujía de repuesto (pieza n.º 951-10292).

4. Instale nuevamente el panel inferior colocando las lengüetas en sus ranuras, levantando el panel para colocarlo en su lugar y sujételo con los tres tornillos que extrajo en el paso 1.

SERVICIO Y MANTENIMIENTO

5. Mida la separación de bujía con un calibrador. Realice los ajustes necesarios torciendo el electrodo lateral, Figura 16. La separación debe ajustarse en 0,02-0,03 pulgadas (0,60-0,80 mm).

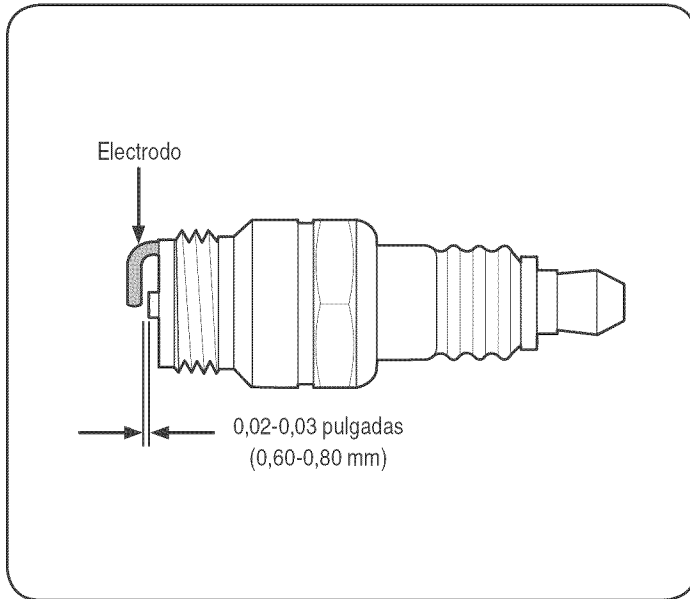


Figura 16

6. Verifique que la arandela de la bujía esté en buenas condiciones y enrosque la bujía hacia adentro manualmente para evitar que se enrosque cruzada.
7. Una vez que la bujía está asentada en su lugar, ajuste con una llave para bujía para comprimir la arandela.

NOTA: Cuando instale una bujía nueva, una vez colocada la bujía apriete 1/2 vuelta para comprimir la arandela. Cuando vuelva a colocar una bujía usada, una vez colocada la bujía apriete 1/8 - 1/4 de vuelta para comprimir la arandela.

⚠ PRECAUCIÓN

La bujía debe estar bien ajustada. Si la bujía está floja puede recalentarse y dañar el motor.

Limpieza del motor

Si el motor ha estado funcionando, déjelo enfriar durante por lo menos media hora antes de limpiarlo. Retire periódicamente la suciedad acumulada en el motor. Antes de dar servicio al motor, extraiga la cubierta del carburador y/o el alojamiento del soplador. Elimine la suciedad y los residuos de las siguientes áreas:

⚠ PRECAUCIÓN

No rocíe el motor con agua para limpiarlo porque el agua podría contaminar el combustible. Si se utiliza una manguera de jardín o equipo de lavado a presión también puede entrar agua dentro de la abertura del silenciador. El agua que pasa por el silenciador puede ingresar en el cilindro, causando daños.

- Aletas de refrigeración
- Filtro de admisión de aire o Áreas de protección del volante/arrancador de retroceso
- Conexión de la bujía
- Palancas
- Área de enlace
- Protecciones
- Carburador
- Culata del motor

La extracción de los residuos asegura que el enfriamiento sea adecuado, la velocidad del motor correcta y el riesgo de incendio menor.

⚠ ADVERTENCIA

La acumulación de residuos alrededor del silenciador podría producir un incendio. Inspecciónelo y límpielo antes de cada uso.

LUBRICACIÓN

Lubrique los puntos de giro de la manija de control y del resorte de extensión del extremo del cable de control con un aceite liviano una vez por temporada y antes de almacenar la máquina quitanieve al final de la temporada.

AJUSTES

Placa de raspado

Para verificar el ajuste de la placa de raspado, ubique la unidad sobre una superficie nivelada. Las ruedas, la placa de raspado y las paletas de la barrena deben tocar la superficie nivelada. Tenga en cuenta que si la placa de raspado está demasiado alta la nieve puede volar debajo de la caja de la barrena. Si la placa de raspado se desgasta excesivamente, o la unidad no se autopropulsa, es posible que la placa de raspado esté demasiado baja y deba ser ajustada.

NOTA: En las unidades nuevas o en las que tienen una placa de raspado nueva las paletas de la barrena pueden estar un poco separadas del suelo. Para ajustar la placa de raspado proceda de la siguiente manera:

1. Ponga en marcha la máquina quitanieve hasta que el tanque de combustible esté vacío.
2. Jale de la cuerda de arranque hasta sentir resistencia. Luego incline la máquina quitanieve hacia atrás hasta que quede apoyada sobre las manijas. Para asegurar que la máquina quitanieve no se incline hacia adelante, puede ser necesario sujetar la manija al piso con un bloque u otro objeto.
3. Afloje las tres tuercas de seguridad con brida y los pernos del carro que sujetan la placa de raspado a la caja. Vea la Figura 17. Mueva la placa de raspado hacia la posición deseada y vuelva a apretar las tuercas y los pernos bien ajustados.

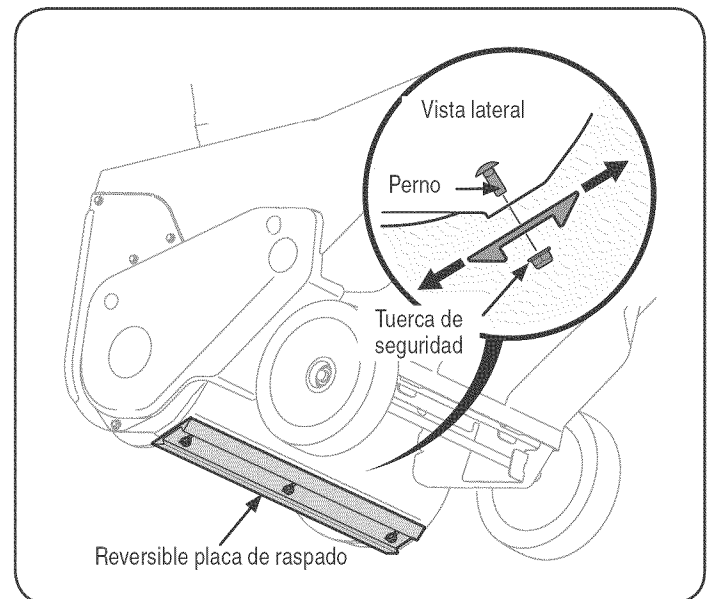


Figura 17

4. Inclina la máquina quitanieve nuevamente a la posición de funcionamiento y jale de la manija de arranque varias veces para ver si es difícil jalar de la misma.

SERVICIO Y MANTENIMIENTO

5. Si es difícil jalar del arranque, extraiga la bujía y jale de la manija varias veces para estar seguro de que se extraiga cualquier cantidad de aceite atrapada en la culata del motor.

⚠ PRECAUCIÓN

Puede salir aceite del orificio de la bujía cuando la misma se extrae y se jala de la manija de arranque.

6. Inspeccione la bujía. Si está húmeda, limpie cualquier resto de aceite antes de volver a instalar.

Cable de control

Es posible que necesite realizar ajustes periódicos debido al estiramiento del cable de control y de la correa de transmisión ocasionado por el desgaste. Si la barrena parece titubear mientras gira, haga lo siguiente:

El agujero superior de la barra de control prevé el ajuste de la tensión del cable. Para realizar el ajuste, desconecte el extremo del cable de control del agujero inferior de la manija de control e insértelo en el agujero superior. Inserte el cable desde el exterior como se indica en la Figura 18.

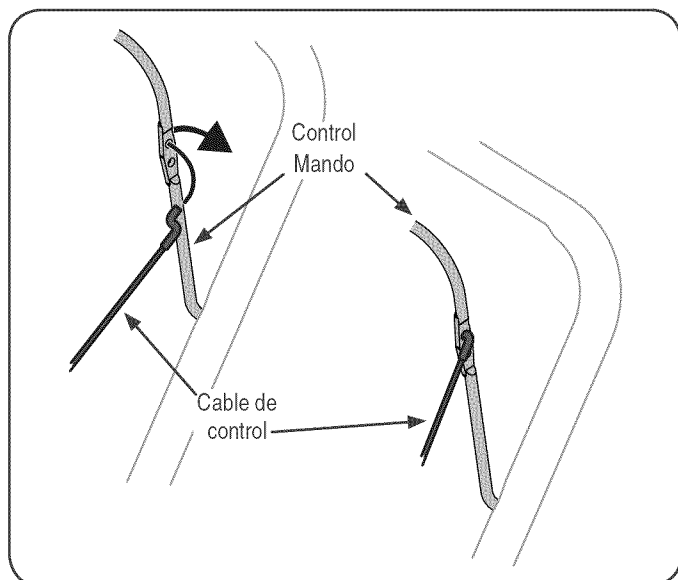


Figura 18

Pruebe la máquina quitanieve para ver si se logra una diferencia apreciable. Si luego de realizado el ajuste del cable de control la barrena sigue titubeano al girar, consulte la sección Reemplazo de la correa para obtener las instrucciones para el reemplazo de la correa.

Montaje del canal

Consulte la sección Montaje para ver las instrucciones del ajuste del montaje del canal.

REEMPLAZO DE LA CORREA DE TRANSMISIÓN DE LA BARRENA

1. Ponga en marcha la máquina quitanieve hasta que el tanque de combustible esté vacío.
2. Jale de la manija del arrancador de retroceso hasta sentir resistencia. Luego incline la máquina quitanieve hacia atrás hasta que quede apoyada sobre las manijas.
3. Deslice una tabla hacia arriba a través de la barrena y a través del canal para sujetar la barrena en su lugar.
4. Para sacar la cubierta de la correa saque los tres tornillos para arandela hexagonal y un tornillo de seguridad hexagonal que la sujetan al bastidor. Vea la Figura 19.

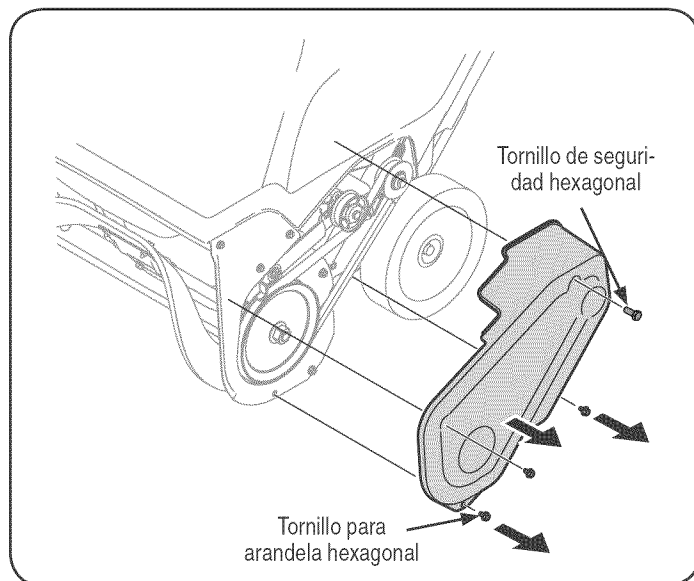


Figura 19

5. Extraiga la tuerca de brida que sujeta la polea de la barrena al eje de la barrena. Vea la Figura 20.

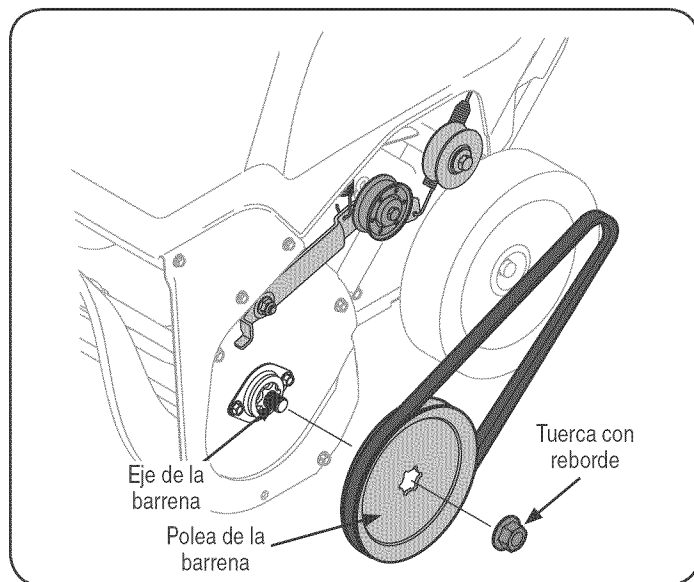


Figura 20

6. Extraiga la polea de la barrena y la correa.

SERVICIO Y MANTENIMIENTO

Para volver a colocar la correa siga estas instrucciones y consulte la Figura 21:

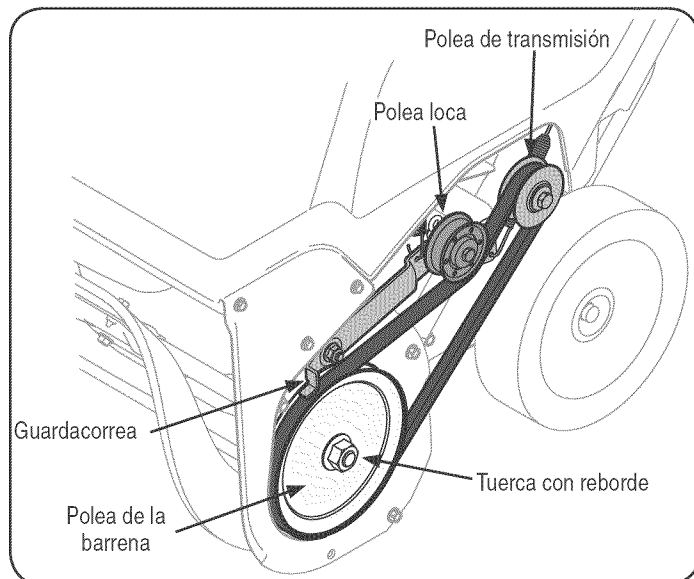


Figura 21

1. Pase la correa alrededor de la polea de transmisión y por debajo de la polea loca.
2. Pase el extremo de la correa alrededor de la polea de la barrena y deslice la polea hacia atrás sobre el eje de la barrena. Puede ser necesario empujar hacia abajo la polea loca para hacer que la polea de la barrena pase por debajo del guardacorrea.
3. Vuelva a colocar la tuerca de brida y ajústela bien.
4. Vuelva a instalar la cubierta de la correa que sacó anteriormente.
5. Quite la tabla de la barrena y el canal.

REEMPLAZO DE LAS PALETAS DE LA BARRENA

Las paletas de caucho de la barrena de la máquina quitanieve se desgastan y se las debe cambiar si se presentan signos de desgaste excesivo.

⚠ PRECAUCIÓN

NO permita que las paletas de caucho de la barrena se desgasten hasta el punto en que partes de la barrena metálica misma toquen el pavimento. Si esto sucede la máquina quitanieve puede dañarse seriamente.

Para cambiar las paletas de caucho proceda de la siguiente manera:

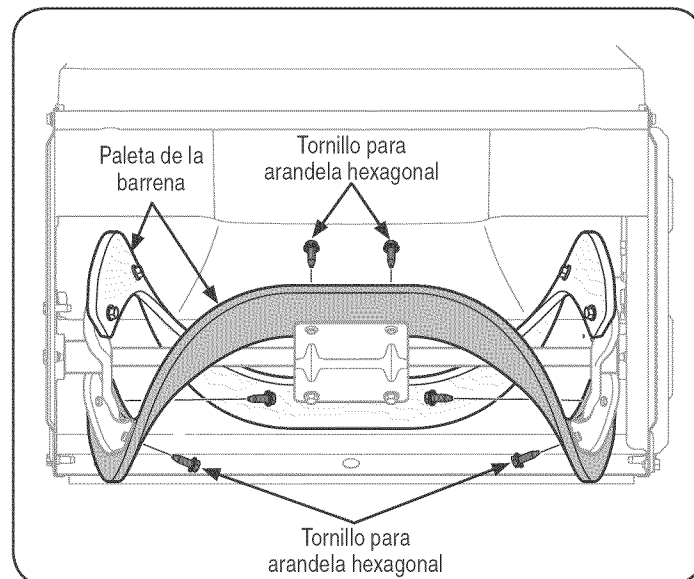


Figura 22

1. Ponga en marcha la máquina quitanieve hasta que el tanque de combustible esté vacío.
2. Jale de la manija del arrancador de retroceso hasta sentir resistencia. Luego incline la máquina quitanieve hacia atrás hasta que quede apoyada sobre las manijas.
3. Saque las paletas de caucho ya existentes para lo cual desenrosque los tornillos para arandelas hexagonales que las unen a la barrena. Vea la Figura 22.

NOTA: Las paletas de la barrena deben reemplazarse una a la vez de manera que se pueda usar la barrena aún conectada como ejemplo para el posicionamiento y la reinstalación de la barrena nueva.

4. Ajuste las nuevas paletas de caucho a la barrena usando los elementos de ferretería que sacó anteriormente.

Para obtener un kit de barrena de repuesto completo que incluya las paletas de caucho y los tornillos para arandelas hexagonales, comuníquese con Sears al teléfono 1-800-4-MY HOME. Pida la pieza 753-06469.

REEMPLAZO DE LA PLACA DE RASPADO

La placa de raspado está adosada al fondo de la caja de la barrena y sujeta a desgaste. Se la debe controlar periódicamente. La placa de raspado tiene dos bordes de desgaste y se la puede invertir.

1. Ponga en marcha la máquina quitanieve hasta que el tanque de combustible esté vacío.
2. Jale de la manija del arrancador de retroceso hasta sentir resistencia. Luego incline la máquina quitanieve hacia atrás hasta que quede apoyada sobre las manijas.
3. Quite los tres pernos del carro y las tuercas de seguridad con brida que la sujetan a la caja de la máquina quitanieve.
4. Invierta la placa de raspado existente o instale una nueva, comprobando que la placa de raspado nueva y las cabezas de los pernos del carro queden en el interior de la caja.
5. Coloque la placa de raspado como se indica en la página 14.
6. Una vez colocada, ajuste bien.

Para obtener una placa de raspado nueva, comuníquese con Sears al teléfono 1-800-4-MY-HOME. Pida la pieza n.º 731-07667.

ALMACENAMIENTO FUERA DE TEMPORADA

Si no se va a utilizar la máquina quitanieve durante 30 días o más, o si es el final de la temporada de nieve y ya no existe posibilidad de que nieve, es necesario almacenar el equipo de manera adecuada. Siga las instrucciones de almacenamiento que se indican a continuación para garantizar el rendimiento máximo de la máquina quitanieve durante muchos años más.

PREPARACIÓN DEL MOTOR

Los motores que se almacenan durante más de 30 días deben ser drenados de combustible para evitar que se deterioren y se forme goma en el sistema de combustible o en las piezas principales del carburador. Si la gasolina en su motor se deteriora durante el almacenamiento, puede resultar necesario reparar o reemplazar el carburador y otros componentes del sistema de combustible.

1. Elimine todo el combustible del tanque haciendo funcionar el motor hasta que se detenga.
2. Cambie el aceite del motor.
3. Extraiga la bujía de encendido y vierta en el cilindro aproximadamente 1 onza (30 ml) de aceite para motor limpio. Tire varias veces del arrancador de retroceso para distribuir el aceite y reinstale la bujía.
4. Limpie el exterior del motor eliminando la suciedad y los residuos de las siguientes zonas:

PRECAUCIÓN

No rocíe el motor con agua para limpiarlo porque el agua podría contaminar el combustible. Si se utiliza una manguera de jardín o equipo de lavado a presión también puede entrar agua dentro de la abertura del silenciador. El agua que pasa por el silenciador puede ingresar en el cilindro, causando daños.

- Aletas de refrigeración
 - Filtro de admisión de aire o Áreas de protección del volante/arrancador de retroceso
 - Conexión de la bujía
 - Palancas
 - Área de enlace
 - Protecciones
 - Carburador
 - Culata del motor
5. Almacene el motor en un sector limpio, seco y bien ventilado, lejos de cualquier artefacto que funcione con una llama o luz piloto como hornos, calentadores de agua o secadores de ropa. Evite cualquier sector con un motor eléctrico que produzca chispas o donde se utilicen herramientas eléctricas.

ADVERTENCIA

Nunca almacene la máquina quitanieve con combustible en el tanque en un espacio cerrado o en áreas con poca ventilación, donde los gases del combustible puedan alcanzar el fuego, chispas o una luz piloto como la que tienen algunos hornos, calentadores de agua, secadores de ropa o algún otro dispositivo a gas.

6. Si es posible, evite sectores de almacenamiento con mucha humedad.
7. Mantenga el motor nivelado cuando lo almacene. La inclinación del motor puede resultar en fugas de combustible o aceite.

PREPARACIÓN DE LA MÁQUINA QUITANIEVE

Si no se va a usar la máquina quitanieve durante 30 días o más, siga las siguientes instrucciones incluidas a continuación.

1. Almacene el equipo en un área despejada y seca.
2. Limpie la máquina quitanieve con un trapo y quite la suciedad o los residuos.
3. Si almacena la máquina quitanieve en un lugar mal ventilado, cubra las piezas metálicas de la máquina con una capa delgada de aceite o silicona como antioxidante.

SOLUCIÓN DE PROBLEMAS

⚠ ADVERTENCIA

Antes de realizar cualquier tipo de mantenimiento o servicio, desenganche todos los controles y detenga el motor. Espere a que se detengan completamente todas las piezas móviles. Desconecte el cable de la bujía y póngalo haciendo masa contra el motor para evitar que se encienda accidentalmente. Utilice siempre anteojos de seguridad durante el funcionamiento o mientras ajusta o repara este equipo.

En esta sección se analizan problemas menores de servicio. Para ubicar el Centro de Servicio Sears más cercano o para programar un servicio, simplemente comuníquese con Sears al teléfono 1-800-4-MY-HOME®.

Problema	Causa	Solución
El motor no arranca	<ol style="list-style-type: none"> 1. El tanque de combustible está vacío o el combustible se ha echado a perder. 2. La línea del combustible está bloqueada. 3. No se introdujo completamente la llave. 4. Se ha desconectado el cable de la bujía. 5. La bujía no funciona correctamente. 6. El motor no está cebado. 7. El motor está ahogado ya que ha sido cebado demasiado. 	<ol style="list-style-type: none"> 1. Llene el depósito con gasolina limpia y nueva. 2. Comuníquese con el centro de servicio Sears. 3. Introduzca completamente la llave. 4. Conecte el cable a la bujía. 5. Limpie la bujía, ajuste la distancia disruptiva o cambie la bujía. 6. Oprima el botón del cebador del motor cinco veces. 7. Espere al menos diez minutos antes de encender el motor.
El motor funciona de manera errática/RPM desiguales (oscilación o sobretensión)	<ol style="list-style-type: none"> 1. El motor está funcionando en la posición "choke" (estrangulador). 2. La línea del combustible está tapada o el combustible es viejo. 3. Hay agua o suciedad en el sistema de combustible. 4. Es necesario regular el carburador. 5. Exceso de regulación del motor 	<ol style="list-style-type: none"> 1. Mueva la palanca del estrangulador a la posición RUN (marcha). 2. Comuníquese con el centro de servicio Sears. 3. Haga marchar el motor hasta que se detenga. Vuelva a llenar el depósito con combustible nuevo. 4. Comuníquese con el centro de servicio Sears. 5. Comuníquese con el centro de servicio Sears.
El motor recalienta	<ol style="list-style-type: none"> 1. Es necesario regular el carburador. 	<ol style="list-style-type: none"> 1. Comuníquese con el centro de servicio Sears.
Pérdida de potencia	<ol style="list-style-type: none"> 1. El cable de la bujía está flojo. 2. La ventilación de la tapa del combustible está obstruida. 	<ol style="list-style-type: none"> 1. Conecte firmemente el cable de la bujía. 2. Destape la ventilación.
Vibración excesiva	<ol style="list-style-type: none"> 1. Hay piezas que están flojas o la barrena está dañada. 	<ol style="list-style-type: none"> 1. Pare el motor inmediatamente y retire la llave. Controle si la máquina está dañada. Ajuste todos los pernos y las tuercas. Realice las reparaciones necesarias. Si el problema persiste, lleve la máquina quitanieve al centro de servicio Sears.
La máquina quitanieve no se autopropulsa	<ol style="list-style-type: none"> 1. El cable del control de la barrena necesita un ajuste. 2. La correa de transmisión de la barrena está floja o dañada. 	<ol style="list-style-type: none"> 1. Ajuste el cable de control de la barrena tal y como se muestra en la sección de Servicio y Mantenimiento. 2. Reemplace la correa de transmisión de la barrena.
La barrena continúa rotando	<ol style="list-style-type: none"> 1. El cable del control de la barrena necesita un ajuste. 	<ol style="list-style-type: none"> 1. Ajuste el cable de control de la barrena tal y como se muestra en la sección de Servicio y Mantenimiento.
La unidad no descarga la nieve	<ol style="list-style-type: none"> 1. El conjunto del canal está tapado. 2. Hay un objeto extraño en la barrena. 3. El cable del control de la barrena necesita un ajuste. 4. La correa de la barrena está floja o dañada. 	<ol style="list-style-type: none"> 1. Detenga el motor y desconecte el cable de la bujía. Limpie el canal y el interior de la caja de la barrena con la herramienta de limpieza o una varilla. 2. Detenga el motor de inmediato y desconecte el cable de la bujía. Retire el objeto de la barrena. 3. Ajuste el cable del control de la barrena. 4. Reemplace la correa de la barrena.

¿NECESITA MÁS AYUDA?

Encontrará la respuesta y más en managemylife.com - ¡sin cargo!

- Éste y los manuales de todos sus otros productos los encontrará en línea.
- Sus preguntas serán respondidas por nuestro equipo de especialistas.
- Obtenga un plan de mantenimiento personalizado para su hogar.
- Encuentre información y herramientas que lo ayudarán con los proyectos domésticos.



presentado por Sears

NOTAS

**MTD CONSUMER GROUP, INC. (MTD), el Bordo de Recursos de Aire de California (CARB)
y la Agencia de Protección Medioambiental de Estados Unidos (U. S. EPA)**

**Declaración de Garantía del Sistema de Control de Emisiones
(Derechos y obligaciones del propietario según la garantía contra defectos)**

LA COBERTURA DE SISTEMA DE CONTROL DE EMISIÓN ES APLICABLE A MOTORES CERTIFICADOS COMPRADOS EN CALIFORNIA EN 2005 Y A PARTIR DE ENTONCES, QUE SON USADOS EN CALIFORNIA, Y HASTA AÑO 2005 DE MODELO CERTIFICADO Y MOTORES POSTERIORES QUE SON COMPRADOS Y USADOS EN OTRA PARTE EN LOS ESTADOS UNIDOS.

California y en otra parte en la Cobertura de Garantía de Defectos de Control de Emisión de los Estados Unidos

El Bordo de Recursos de Aire de California (CARB), la U. S. EPA y MTD se complacen en explicar la garantía del sistema de control de emisiones de su motor para equipo todo terreno, modelo, año 2005 y versiones posteriores. En California, los nuevos motores pequeños para equipo todo terreno se deben diseñar, fabricar y equipar para cumplir con estándares de antiniebla tóxica de estados. En otra parte en los Estados Unidos, el nuevo no camino, motores de ignición de chispa certificados para el modelo 2005 y más tarde, debe encontrar el juego de estándares similar adelante por los Estados Unidos. EPA. MTD debe garantizar el sistema de control de emisiones de su motor por el período de tiempo indicado más abajo, siempre y cuando no haya existido uso incorrecto, negligencia ni mantenimiento inadecuado de su motor pequeño para equipo todo terreno.

El sistema de control de emisiones puede incluir piezas como, por ejemplo, el carburador, sistema de inyección de combustible, el sistema de encendido, el catalizador, los depósitos de combustible, abastece de combustible líneas, gorras de combustible, válvulas, latas, filtros, mangueras de vapor, abrazaderas, conectores y otros componentes relacionados con las emisiones.

Donde exista una condición cubierta por la garantía, MTD reparará su motor pequeño para equipo todo terreno sin costo alguno incluyendo el diagnóstico, las piezas y la mano de obra.

COBERTURA DE LA GARANTÍA DEL FABRICANTE:

Este sistema de control de emisiones se garantiza por el término de dos años. Si alguna pieza de su motor relacionada con las emisiones es defectuosa, MTD reparará o sustituirá dicha pieza.

RESPONSABILIDADES DEL PROPIETARIO SEGÚN LA GARANTÍA:

Como propietario de un motor pequeño de equipo todo terreno, usted es responsable de realizar el mantenimiento necesario que figura en el manual del propietario. MTD le recomienda que conserve todos los recibos que cubren los servicios de mantenimiento del motor pequeño para equipo todo terreno, no obstante lo cual MTD no podrá denegar el cumplimiento de la garantía únicamente por la falta de recibos o por su imposibilidad de asegurar que se realizarán todos los servicios de mantenimiento programado.

Como propietario del motor pequeño para equipo todo terreno, sin embargo, usted también debe saber que MTD puede denegar la cobertura de la garantía si su motor pequeño para equipo todo terreno o una pieza del mismo fallan debido a uso incorrecto, negligencia, mantenimiento indebido o a modificaciones no aprobadas.

Usted es responsable de presentar la cortadora de césped al centro de distribución o de mantenimiento de MTD CONSUMER GROUP, INC. tan pronto como apareciera el problema. Las reparaciones cubiertas por la garantía se deben llevar a cabo en un lapso razonable que no exceda de 30 días. Si desea realizar alguna consulta con respecto a la cobertura de la garantía, debe ponerse en contacto con su distribuidor local de MTD. Para comunicarse con la Línea de Asistencia al Cliente de Distribuidores de MTD, llame al número (877) 282-8684.

REQUERIMIENTOS DE GARANTÍA SOBRE DEFECTOS PARA MOTORES PEQUEÑOS DE EQUIPO TODO TERRENO DE 1995 Y VERSIONES POSTERIORES:

Esta sección se aplica a motores pequeños de equipo todo terreno de 1995 y versiones posteriores. El período de garantía comienza a partir de la fecha en que el motor o el equipo se entregan al comprador final.

(a) Cobertura de la garantía contra emisiones generales

MTD garantiza al comprador final y a cada comprador subsiguiente que el motor:

- (1) ha sido diseñado, construido y equipado de manera que cumpla con todas las regulaciones vigentes adoptadas por el Departamento de los Recursos de Aire en virtud a su autoridad conferida en los capítulos 1 y 2, Parte 5, División 26 del Código de Salud y Seguridad; y
- (2) está libre de defectos en los materiales y en la mano de obra que causen la falla de una pieza bajo garantía que sea idéntica en todos los aspectos materiales a la pieza como aparece descrita en la aplicación del fabricante del motor para certificación por un período de dos años.

(b) La garantía sobre piezas relacionadas con emisiones se interpretará de la siguiente manera:

- (1) Cualquier pieza cubierta por garantía que no esté programada para su reemplazo según el mantenimiento requerido en las instrucciones escritas de la Subsección (c) debe estar garantizada por un período de garantía definido en la Subsección (a) (2). Si la pieza falla durante el período de cobertura de la garantía, la misma será reparada o reemplazada por MTD de acuerdo con la Subsección (4) a continuación. Cualquier pieza reparada o reemplazada según la garantía se garantizará por el resto del período de garantía.
- (2) Cualquier pieza cubierta por garantía que esté programada solo para inspección regular en las instrucciones escritas de la Subsección (c) debe estar garantizada por un período de garantía definido en la Subsección (a) (2). Una declaración en dichas instrucciones por escrito al efecto de "reparación o reemplazo según sea necesario" no reducirá el período de cobertura de la garantía. Cualquier pieza reparada o reemplazada según la garantía se garantizará por el resto del período de garantía.

(3) Cualquier pieza garantizada que esté programada para reemplazo según el mantenimiento requerido de conformidad con las instrucciones escritas de la Subsección (c) se garantiza por el período de tiempo anterior a la primera fecha de reemplazo programada para esa pieza. Si la pieza falla antes del primer reemplazo programado, la misma será reparada o reemplazada por MTD de acuerdo con la Subsección (4) a continuación. Cualquier pieza reparada o reemplazada bajo garantía se garantizará por el resto del período anterior al primer reemplazo programado puntual para esa pieza.

(4) La reparación o el reemplazo de cualquier pieza garantizada de conformidad con las disposiciones de la garantía que aquí se estipula se debe realizar en un centro de garantía sin costo alguno para el propietario.

(5) Sin perjuicio de las disposiciones de la Subsección (4) anterior, los servicios o reparaciones cubiertos por la garantía deben ser suministrados por todos los centros de distribución de MTD que tengan la franquicia para realizar reparaciones y mantenimiento a los motores en cuestión.

(6) El propietario no debe afrontar ningún cargo para trabajos de diagnóstico que lleven a la conclusión de que una pieza bajo garantía presenta efectivamente defectos, siempre y cuando dicho diagnóstico sea llevado a cabo en un centro cubierto por la garantía.

(7) El fabricante del motor es responsable por daños causados a otros componentes de motores derivados de la falla bajo garantía de cualquier pieza garantizada.

(8) Durante todo el período de garantía del motor definido en la Subsección (a) (2), MTD mantendrá un suministro de piezas cubiertas por garantía suficiente para satisfacer la demanda esperada para tales piezas.

(9) Cualquier pieza de reemplazo se podrá usar para el cumplimiento del mantenimiento o reparaciones bajo garantía, y se suministrará sin cargo al propietario. Dicho uso no reducirá las obligaciones de garantía de MTD.

(10) No se podrán usar piezas adicionales ni modificadas que no estén exentas de acuerdo con el Departamento de los Recursos del Aire (Air Resources Board). El uso de piezas adicionales o modificadas no exentas será causa suficiente para anular un reclamo bajo garantía realizado de acuerdo con este artículo. El fabricante del motor no tendrá responsabilidad, en conformidad con este artículo, de garantizar fallas de piezas garantizadas que fueren causadas por el uso de una pieza no exenta adicional o modificada.

(c) MTD incluirá una copia de la siguiente lista de piezas bajo garantía contra emisiones con cada nuevo motor, utilizando las partes de la lista aplicables al motor.

(1) Sistema de medición de combustible

- Sistema de mejora para inicio en frío (cebado suave)
- Carburador y componentes internos
- Bomba de combustible
- Depósito de combustible

(2) Sistema de inducción de aire

- Filtro de aire
- Colector de entrada

(3) Sistema de encendido

- Bujía(s)
- Sistema de encendido por magneto

(4) Sistema de escape

- Catalizador
- SAI (válvula de Caña)

(5) Componentes varios utilizados en el sistema anterior

- Válvulas e interruptores de vacío, temperatura, posición sensibles al tiempo
- Conectores y montajes

(6) Control de Evaporative

- Manguera de Combustible certificada para ARB evaporative emisión de 2006.
- Abrazaderas de Manguera de Combustible
- Gorra de combustible atada
- Lata de carbón
- Líneas de vapor

Busque el período de duración de emisiones importantes y la información de clasificación de aire en la etiqueta de emisiones de su motor

Los motores cuyo cumplimiento con los estándares de emisión Tier 2 de la Comisión de Recursos Ambientales de California (CARB) esté certificado deben exhibir la información relacionada con el período de duración de las emisiones y la clasificación de aire. Sears Brands Management Corporation ponen esta información a disposición del consumidor en nuestras etiquetas de emisiones.

El Período de Duración de las Emisiones describe el número de horas de tiempo real de funcionamiento para el cual se certifica que el motor cumple con las reglas de emisión, descontando el mantenimiento adecuado del mismo según las instrucciones de operación y mantenimiento. Se utilizan las siguientes categorías:

Moderado: Se certifica que el motor cumple con las reglas de emisión durante 125 horas de tiempo real de funcionamiento del motor.

Inmediato: Se certifica que el motor cumple con las reglas de emisión durante 250 horas de tiempo real de funcionamiento del motor.

Extendido: Se certifica que el motor cumple con las reglas de emisión durante 500 horas de tiempo real de funcionamiento del motor.

Por ejemplo, una cortadora de césped típica que se empuja desde atrás se usa entre 20 y 25 horas por año. Por lo tanto, el **Período de Duración de Emisiones** de un motor con una **clasificación intermedia** sería equivalente a entre 10 y 12 años.

La **clasificación de aire** es un número calculado para describir el nivel relativo de emisiones para un grupo de motores en particular. Cuanto menor sea la **clasificación de aire**, mayor es la limpieza del motor. La información se presenta de forma gráfica en la etiqueta de emisiones.

Después del 1 de julio de 2000, busque el período de cumplimiento de las reglas de emisiones en la etiqueta de cumplimiento de las reglas de emisiones del motor

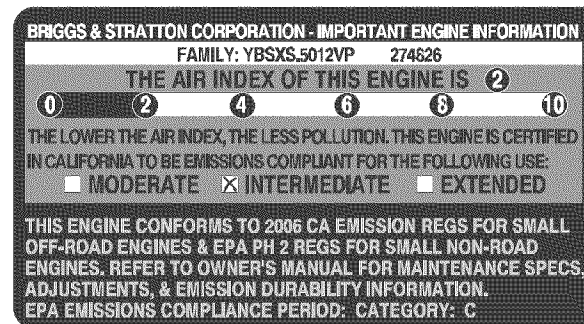
Después del 1 de julio de 2000 se certificará que determinados motores Sears Brands Management Corporation cumplen con los estándares de emisiones de la fase 2 de la Agencia de Protección Ambiental de los Estados Unidos (USEPA). Para los motores certificados para la etapa 2, el período de cumplimiento con las reglas de emisiones al cual se hace referencia en la etiqueta de cumplimiento con las reglas de emisiones indica el número de horas de funcionamiento para el cual se ha demostrado que el motor cumple con los requerimientos federales de emisión.

Para los motores con desplazamiento inferior a 225 cc, Categoría C = 125 horas, B = 250 horas y A = 500 horas.

Para los motores con desplazamiento de 225 cc o más, Categoría C = 250 horas, B = 500 horas y A = 1000 horas.

El desplazamiento de los motores de la serie modelo 150112 es 249 cc.

La presente es una representación genérica de la etiqueta de emisión que se encuentra generalmente en un motor certificado.



ACUERDO DE PROTECCIÓN PARA REPARACIONES

Felicitaciones por haber realizado una adquisición inteligente. El producto Craftsman® que ha adquirido está diseñado y fabricado para brindar muchos años de funcionamiento confiable. Pero como todos los productos a veces puede requerir de reparaciones. Es en ese momento cuando el disponer de un Acuerdo de protección para reparaciones le puede ahorrar dinero y problemas.

A continuación se detallan los puntos incluidos en el Acuerdo:

- ☑ **Servicio experto** prestado por nuestros 10,000 especialistas en reparaciones profesionales
- ☑ **Servicio ilimitado sin cargo** para las piezas y la mano de obra en todas las reparaciones cubiertas
- ☑ **Reemplazo del producto** hasta 1500 dólares si no es posible reparar el producto cubierto
- ☑ **Descuento de 25%** del precio normal del servicio y de las piezas relacionadas con el mismo que no estén cubiertas por el acuerdo; además, 25% del precio normal de la verificación de mantenimiento preventivo
- ☑ **Ayuda rápida por teléfono** - lo llamamos Resolución Rápida – el apoyo telefónico de un Chamusca al representante. Piense en nosotros como el manual “de un dueño hablador.”

Una vez adquirido el Acuerdo, puede programar el servicio con tan sólo realizar una llamada telefónica. Puede llamar en cualquier momento del día o de la noche o programar un servicio en línea.

El Acuerdo de Protección de Reparación es una compra sin riesgo. Si usted anula por alguna razón durante el período de garantía de producto, proporcionaremos un reembolso lleno. O, un reembolso prorrateado en cualquier momento después del período de garantía de producto expira. ¡Adquiera hoy su acuerdo de protección para reparaciones!

Se aplican determinadas limitaciones y exclusiones. Para obtener información adicional y precios en los Estados Unidos llame al 1-800-827-6655.

El *Coverage en Canadá varía en algunos artículos. Para detalles llenos la llamada Chamusca Canadá en 1-800-361-6665.

Servicio de instalación de Sears

Si desea solicitar la instalación profesional de Sears de aparatos domésticos, dispositivos para abrir portones, calentadores de agua y otros artículos domésticos importantes, en los Estados Unidos o Canadá llame al **1-800-4-MY-HOME®**.

Get it fixed, at your home or ours!

Your Home

For troubleshooting, product manuals and expert advice:



www.managemylife.com

For repair – **in your home** – of **all** major brand appliances, lawn and garden equipment, or heating and cooling systems, **no matter who made it, no matter who sold it!**

For the replacement parts, accessories and owner's manuals that you need to do-it-yourself.

For Sears professional installation of home appliances and items like garage door openers and water heaters.

1-800-4-MY-HOME[®] (1-800-469-4663)

Call anytime, day or night (U.S.A. and Canada)

www.sears.com www.sears.ca

Our Home

For repair of carry-in items like vacuums, lawn equipment, and electronics, call anytime for the location of your nearest

Sears Parts & Repair Service Center

1-800-488-1222 (U.S.A.)

www.sears.com

1-800-469-4663 (Canada)

www.sears.ca

To purchase a protection agreement on a product serviced by Sears:

1-800-827-6655 (U.S.A.)

1-800-361-6665 (Canada)

Para pedir servicio de reparación a domicilio, y para ordenar piezas:

1-888-SU-HOGAR[®]

(1-888-784-6427)

www.sears.com

Au Canada pour service en français:

1-800-LE-FOYER^{MC}

(1-800-533-6937)

www.sears.ca

The Sears logo, consisting of the word "sears" in a lowercase, serif font.

® Registered Trademark / TM Trademark of KCD IP, LLC in the United States, or Sears Brands, LLC in other countries

® Marca Registrada / TM Marca de Fábrica de KCD IP, LLC en Estados Unidos, o Sears Brands, LLC in otros países

^{MC} Marque de commerce / ^{MD} Marque déposée de Sears Brands, LLC