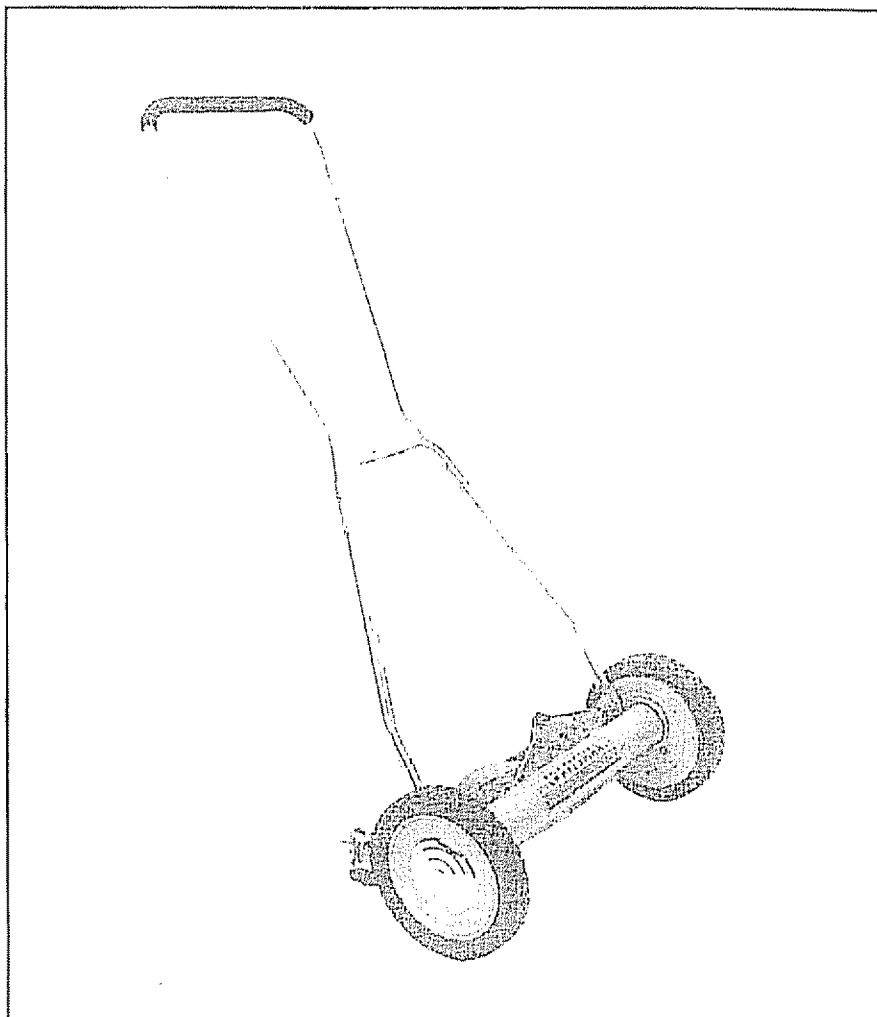


Sears

owners
manual

MODEL NO.
291.376400

CAUTION:
Read RULES for
Safe OPERATION
and INSTRUCTIONS
Carefully



Sears

CRAFTSMAN.

18" HAND
LAWN MOWER

assembly
operating
repair parts

SEARS, ROEBUCK AND CO., Chicago, IL 60684 U.S.A.

RULES FOR SAFE OPERATION

1. Read and familiarize yourself with the methods of use.
2. Inspect your lawn and remove foreign objects, etc.
3. Don't operate mower when barefoot or wearing sandals.
4. Use caution — A mower is a precision piece of lawn care equipment and should be treated as such.
5. Don't operate a damaged mower. Have repairs made before returning to work.
6. Never place your hands or feet near a moving part.
7. Do not mow the lawn when it is wet enough to be slippery.
8. Always be sure of your footing, walk, don't run.
9. Keep all screws and nuts tight, be sure equipment is in safe operating condition. Keep mower clean of dry grass and dirt.

ONE YEAR LIMITED WARRANTY ON CRAFTSMAN MODEL No. 291.376400 LAWN MOWER

For one year from the date of purchase, when this Craftsman Lawn Mower is maintained and lubricated according to the instructions in the owner's manual, Sears will repair, free of charge, any defect in material and workmanship.

If this Craftsman Lawn Mower is used for commercial or rental purposes, this warranty applies for only 90 days from the date of purchase.

This warranty does not cover:

Expendable items which become worn during normal use

Repairs necessary because of operator abuse or negligence, and the failure to maintain the equipment according to the instructions contained in the owner's manual

WARRANTY SERVICE IS AVAILABLE BY RETURNING THE CRAFTSMAN LAWN MOWER TO THE NEAREST SERVICE CENTER/DEPARTMENT IN THE UNITED STATES.

This warranty gives you specific legal rights, and you may also have other rights which vary from state to state

SEARS, ROEBUCK AND CO., Dept. 698/731A
Sears Tower
Chicago, IL 60684

CUSTOMERS RESPONSIBILITIES

Always use care when operating your Lawn mower. Keep clear of moving parts. Avoid striking or running into solid objects or debris in the area to be mowed. Keep the mower clean. Follow a regular maintenance and check schedule to provide efficient and safe operation. Well-cared for Lawn mowers will last longer and operate more efficiently.

ASSEMBLING HANDLE TO MOWER

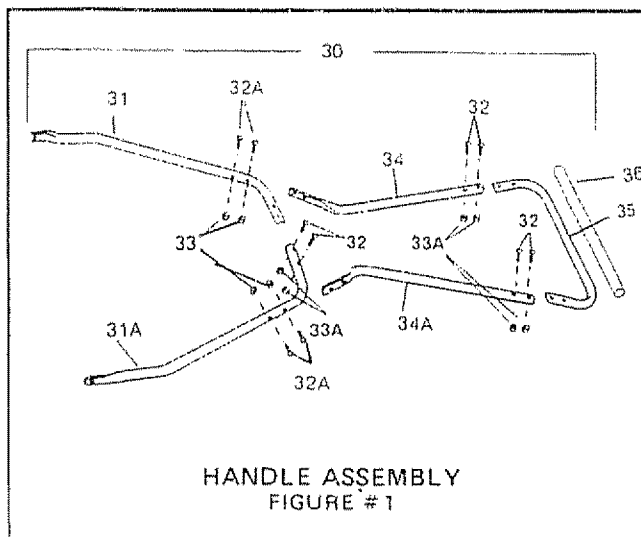
HANDLE

Assemble foam grip to the top section by applying liquid hand or dishwashing soap into ends approx. 1", carefully feeding it into place

Assemble upper handle by inserting two center sections into top section and secure with proper hardware. Connect upper handle and lower handle sub-assemblies together, aligning as necessary and securing with proper hardware

NOTE: Tighten hex nuts until clearance is removed and handle is securely tightened.

The holes in the lower handle fit over the lugs on the side plates. In the bolt pack are 2 retaining rings. Press these over the handle lugs to keep the handle from coming off. See Figure 2



CUTTING HEIGHT ADJUSTMENT

The height of cut is regulated by adjusting the roller. Loosen both roller brackets and move them up or down equally. Align holes in side plates with holes or slot in Brackets and tighten securely. Be sure that the roller brackets hold the roller level across the rear of the mower

For maximum cutting height, the wheels can be moved to the lowest axle hole in the side plates. Remove hub cap, axle nut, (A in fig. 4), pull wheel and axle off mower and move to lowest hole. Tighten axle nut securely.

All machine equipment exposed to the elements requires reasonable care and maintenance to insure continued trouble-free operation. This lawn mower was designed for efficiency and durability and with normal care will give many years of service.

The cutting reel is mounted on ball bearings processed in ball bearing grease and with average use should need only to be oiled.

This mower upon leaving the factory has been adjusted to the proper relationship of reel and cutter bar. Care should be taken to see that through misuse neither unit is nicked or pounded out of shape. Misalignment of the reel and cutter bar will result in either a rough, uneven lawn or a hard pushing mower. Keep the mower in adjustment at all times for best performance.

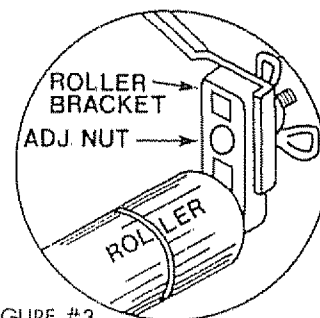
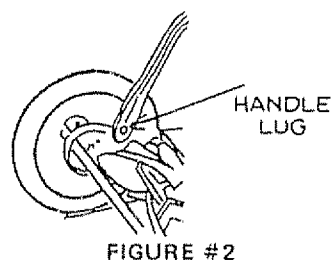


FIGURE #3
CUTTING HEIGHT ADJUSTMENT

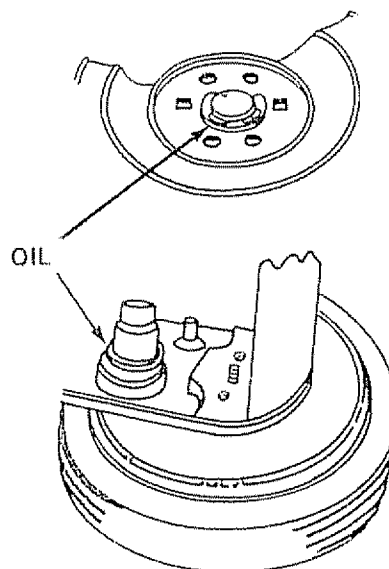
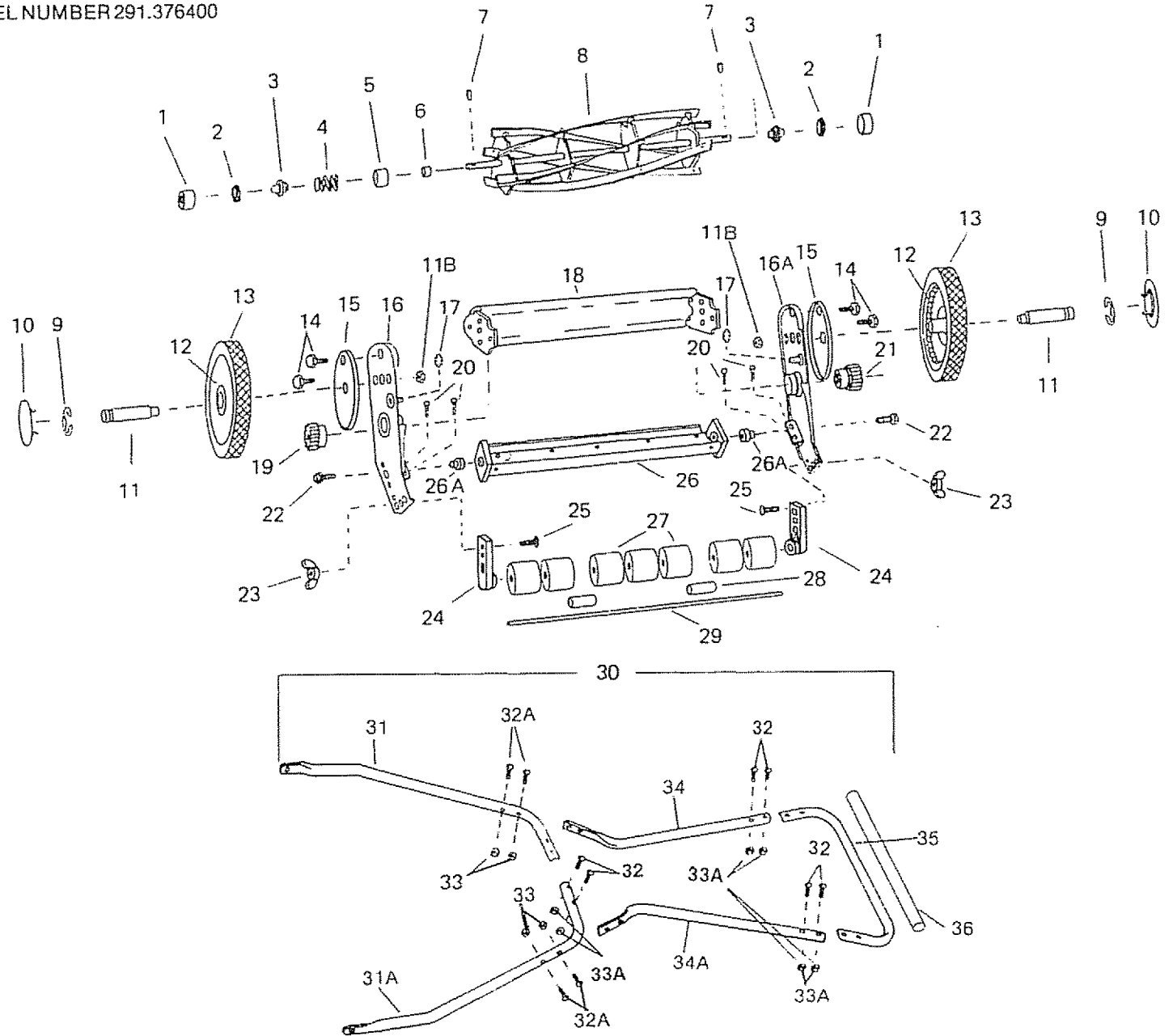


FIGURE #4

18" HAND LAWN MOWERS

MODEL NUMBER 291.376400



KEY				KEY			
NO.	PART NO.	PART NAME	REQ.	NO.	PART NO.	PART NAME	REQ.
1.	30122	Ball Cup	2	21.	30036	Right Pinion Gear	1
2.	30137	Ball Bearing Assembly	2	22.	30313-4	Cutter Bar Bolt $\frac{3}{8} \times 1\frac{1}{8}$	2
3.	30004	Bearing Cone	2	23.	30643	Wing Nut	2
4.	30309	Spring, Reel Adj.	1	24.	30321	Roller Bracket	2
5.	30308-0-10	Dust Cap	1	25.	30119-2	Carriage Bolt $\frac{5}{16} \times 1\frac{1}{4}$	2
6.	30307	Reel Spacer	1	26.	10305-7	Cutter Bar	1
7.	30316	Ratchet Pawl	2	26.A	30519	Cutter Bar Stud (Included in Key Nos. 16 & 16A)	2
8.	10122-3-10	Reel Assembly (Includes Key Nos. 2 thru 6)	1	27.	30320	Roller Section	7
9.	30317	Axle Snap Ring	2	28.	30071	Roller Spacer	2
10.	10021	Hub Cap	2	29.	30319-3	Roller Tube	1
11.	30337	Axle	2	30.	10439	Complete Handle Assem.	1
11.B	30314	Axle Nut	2	31.	30918-10	Lower Handle Section RH	1
12.	30349-0-10	Wheel	2	31.A	30918-11	Lower Handle Section LH	1
13.	30243	Tire	2	32.	30077-3	Handle Bolt $\frac{7}{16} \times \frac{7}{8}$	6
14.	30660	Hex Head Bolt	4	32A.	30012-5	Handle Bolt $\frac{1}{4} \times 1\frac{1}{8}$	4
15.	30394-4-10	Cover Plate	2	33.	30128	Hex Nut $\frac{1}{4}$ Keps	4
16.	10326-17-10	Left Side Plate	1	33A.	30079	Hex Nut $\frac{7}{16}$ Keps	6
16.A	10326-16-10	Right Side Plate	1	34.	30917-4	Upper Handle Section RH	1
17.	30514	Handle Retaining Ring	2	34A.	30917-5	Upper Handle Section LH	1
18.	10367-1-10	Shrub Bar	1	35.	30916-2	Handle Grip Section	1
19.	30036-1	Left Pinion Gear	1	36.	30948	Foam Grip	1
20.	30300	Adjusting Screw $\frac{5}{16} \times 1$ (Included in Key Nos. 16 & 16A)	4	36A.	30716-1	Parts List	1
				37.	10428	Assem. Hardware	1

ITEMS IN CARTON

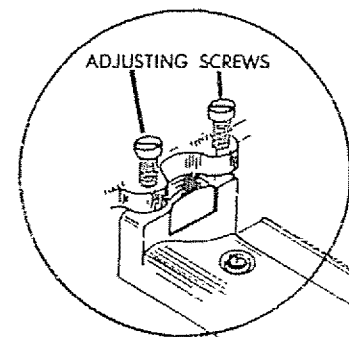
One complete Hand Mower Chassis.
Two lower handle sections.
Two upper handle sections.
One handle grip section.
One plastic bag including hardware for assembly of handle.
Four $\frac{1}{4}$ " x $1\frac{1}{8}$ " handle bolt—
Four $\frac{1}{4}$ -20 handle nuts—keps.
Six $\frac{7}{16}$ x $\frac{7}{8}$ handle bolts.
Six $\frac{7}{16}$ keps nuts.
One foam grip.
Two retaining rings.
Do not use Key Numbers when ordering Repair Parts, always use Part Numbers.
Your mower is right hand (R.H.) or left hand (L.H.) as you push.

MOWER ADJUSTMENT

The mower is adjusted by moving the cutter bar toward the reel. The cutter bar knife is adjusted toward the reel by means of 4 adjusting screws. Each end of the cutter bar adjusts separately. The 2 adjusting screws at each end push in opposite directions about the cutter bar bolt which acts as an axis.

Before tightening one adjusting screw, be sure to loosen the opposing adjusting screw an equivalent amount. When the proper adjustment has been reached, be sure to tighten all adjusting screws equally so that the cutter bar is immovable. When the mower is properly adjusted, it will shear paper along the entire length of the cutter bar blade and yet the movement of the reel against the cutter bar will be free and unrestricted.

After many seasons of use your mower may need sharpening. We recommend that you contact your nearest Sears Retail Store or Service Unit for sharpening or repair.



Sears

**owners
manual**

**MODEL NO.
291.376400**

**SEARS SERVICE
IS AT YOUR SERVICE
WHEREVER YOU LIVE
OR MOVE IN
THE U.S.A.**

HOW TO ORDER REPAIR PARTS

Always mention the Model Number when requesting service or repair parts for your 18" HAND LAWN MOWER.

All parts listed herein may be ordered from any SEARS ROEBUCK AND CO. retail or catalog store. If the parts you need are not stocked locally, your order will be electronically transmitted to a Sears Repair Parts Distribution Center for expedited handling.

WHEN ORDERING REPAIR PARTS, ALWAYS GIVE THE FOLLOWING INFORMATION:

1. PART NUMBER
2. PART DESCRIPTION
3. MODEL NUMBER
4. NAME OF ITEM

Your Sears Merchandise takes on added value when you discover that Sears has over 2,000 Service Units throughout the country. Each is staffed by Sears-trained, professional technicians using Sears Approved parts and methods.

SEARS, ROEBUCK AND CO., Chicago, IL 60684 U.S.A.