

Operator's Manual

CRAFTSMAN®

4-Cycle

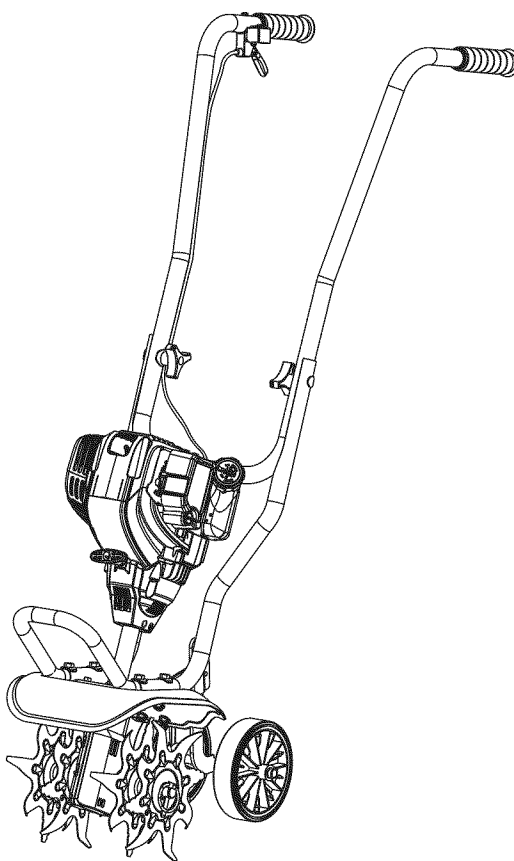
Electric Start Capable

CULTIVATOR

Model No. 316.299372



INCREDI-PULL™
UNBELIEVABLE STARTING EASE™



CAUTION: Before using this product, read this manual and follow all its Safety Rules and Operating Instructions.

- SAFETY
- ASSEMBLY
- OPERATION
- MAINTENANCE
- PARTS LIST
- ESPAÑOL, P. 23

Sears Brands Management Corporation, Hoffman Estates, IL 60179 U.S.A.

Visit our website: www.craftsman.com

TABLE OF CONTENTS


Safety	2
Warranty	5
Know Your Unit	6
Specifications	6
Assembly	7
Oil and Fuel	8
Starting and Stopping	10
Operation	12
Maintenance	13
Cleaning and Storage	18
Speed Start™ Accessory	19
Troubleshooting	20
Repair Protection Agreements	21
Parts List	46
Service Numbers	Back Cover


All information, illustrations and specifications in this manual are based on the latest product information available at the time of printing. We reserve the right to make changes at any time without notice.


SAFETY

The purpose of safety symbols is to attract your attention to possible dangers. The safety symbols, and their explanations, deserve your careful attention and understanding. The safety warnings do not by themselves eliminate any danger. The instructions or warnings they give are not substitutes for proper accident prevention measures.

SYMBOL	MEANING
--------	---------

	DANGER: Signals an EXTREME hazard. Failure to obey a safety DANGER signal WILL result in serious injury or death to yourself or to others.
--	--

	WARNING: Signals a SERIOUS hazard. Failure to obey a safety WARNING signal CAN result in serious injury to yourself or to others.
--	---

	CAUTION: Signals a MODERATE hazard. Failure to obey a safety CAUTION signal MAY result in property damage or injury to yourself or to others.
--	---

NOTE: Advises you of information or instructions vital to the operation or maintenance of the equipment.

SPARK ARRESTOR NOTE

NOTE: For users on U.S. Forest Land and in the states of California, Maine, Oregon and Washington. All U.S. Forest Land and the state of California (Public Resources Codes 4442 and 4443), Oregon and Washington require, by law that certain internal combustion engines operated on forest brush and/or grass-covered areas be equipped with a spark arrestor, maintained in effective working order, or the engine be constructed, equipped and maintained for the prevention of fire. Check with your state or local authorities for regulations pertaining to these requirements. Failure to follow these requirements could subject you to liability or a fine. **This unit is factory equipped with a spark arrestor.** Replacement requires **Muffler Assembly Part #753-06238**, installed at a Sears Parts & Repair Service Center.



CALIFORNIA PROPOSITION 65

WARNING: Engine exhaust, some of its constituents and certain finished components contain or emit chemicals known to the State of California to cause cancer and birth defects or other reproductive harm. Wash hands after handling.

Read the operator's manual and follow all warnings and safety instructions. Failure to do so can result in serious injury to the operator and/or bystanders.

• IMPORTANT SAFETY INSTRUCTIONS •

READ ALL INSTRUCTIONS BEFORE OPERATING



WARNING: When using the unit, all safety rules must be followed. Please read these instructions before operating the unit in order to ensure the safety of the operator and any bystanders. Please keep these instructions for later use.

- Read the instructions carefully. Be familiar with the controls and proper use of the unit.
- Do not operate this unit when tired, ill or under the influence of alcohol, drugs or medication.
- Children must not operate the unit. Teens must be accompanied and guided by an adult.
- All guards and safety attachments must be installed properly before operating the unit.
- Inspect the unit before use. Replace damaged parts. Check for fuel leaks. Make sure all fasteners are in place and secure. Replace parts that are cracked, chipped, or damaged in any way.
- Be aware of risk of injury to the head, hands and feet.
- Clear the area before each use. Remove rocks, broken glass, nails, wire, string and other objects that may be thrown or become entangled with the unit. Clear the area of children, bystanders and pets; keep them outside a 50-foot (15 m) radius, at a minimum. Even then, they are still at risk from thrown objects. Encourage bystanders to wear eye protection. If you are approached, stop the unit immediately.
- Squeeze the throttle control and check that it returns automatically to the idle position. Make all adjustments or repairs before using the unit.

SAFETY WARNINGS FOR GAS UNITS



WARNING: Gasoline is highly flammable and its vapors can explode if ignited. Take the following precautions:

- Store fuel only in containers specifically designed and approved for the storage of such materials.
- Always stop the engine and allow it to cool before filling the tank. Never remove the fuel tank cap or add fuel when the engine is hot. Always loosen the fuel tank cap slowly to relieve any pressure in the tank before fueling.
- Always add fuel in a clean, well-ventilated outdoor area where there are no sparks or flames. DO NOT smoke.
- Never operate the unit without the fuel cap securely in place.
- Avoid creating a source of ignition for spilled fuel. Wipe up any spilled fuel from the unit immediately, before starting the unit. Move the unit at least 30 ft. (9.1 m) from the fueling source and site before starting the engine. DO NOT smoke.
- Never start or run the unit inside a closed room or building. Breathing exhaust fumes can kill. Operate this unit only in a well ventilated outdoor area.

WHILE OPERATING

- Wear safety glasses or goggles that meet current ANSI standards and are marked as such. Wear ear/hearing protection when operating this unit. Wear a face or dust mask if the operation is dusty.
- Wear heavy long pants, boots, gloves and a long sleeve shirt. Do not wear loose clothing, jewelry, short pants, sandals or go barefoot. Secure hair above shoulder level.

- This unit has a clutch. The tines remain stationary when the engine is idling. If they do not, take the unit to a Sears or other qualified service dealer for an adjustment.
- Be sure the tines are not in contact with anything before starting the unit.
- Use the unit only in daylight or good artificial light.
- Avoid accidental starting. Be in the starting position whenever pulling the starter rope. The operator and unit must be in a stable position while starting. Refer to *Starting and Stopping*.
- Use the right tool. Only use this tool for its intended purpose.
- Use extreme caution when reversing or pulling the unit towards you.
- Do not overreach. Always keep proper footing and balance. Take extra care when working on steep slopes or inclines.
- Always hold the unit with both hands when operating. Keep a firm grip on the grips.
- Keep hands, face, and feet away from all moving parts. Do not touch or try to stop moving parts.
- Do not touch the engine, gear housing or muffler. These parts get extremely hot from operation, even after the unit is turned off.
- Do not operate the engine faster than the speed needed for the job. Do not run the engine at high speed when the unit is not in use.
- Always stop the engine when work is delayed or when walking from one location to another.
- If you strike or become entangled with a foreign object, stop the engine immediately and check for damage. Do not operate before repairing damage. Do not operate the unit with loose or damaged parts.
- Turn the engine to off and disconnect the spark plug for maintenance or repair.
- Use only original equipment manufacturer (OEM) replacement parts and accessories for this unit, as listed in the *Parts List* section of this manual. Use of any other parts or accessories could lead to serious injury to the user, or damage to the unit, and void the warranty.
- Keep unit clean of vegetation and other materials that may become lodged or entangled in the unit.
- To reduce fire hazard, replace a faulty muffler and spark arrestor. Keep the engine and muffler free from grass, leaves, excessive grease or carbon build up.







OTHER SAFETY WARNINGS








- Never store the unit with fuel in the tank, inside a building where fumes may reach an open flame (pilot lights, etc.) or sparks (switches, electrical motors, etc.).
- Allow the engine to cool before storing or transporting. Be sure to secure the unit while transporting.
- Store the unit in a dry place, secured or at a height to prevent unauthorized use or damage. Keep out of the reach of children.
- Never douse or squirt the unit with water or any other liquid. Keep handles dry, clean and free from debris. Clean after each use, see *Cleaning and Storage* instructions.
- Keep these instructions. Refer to them often and use them to instruct other users. If you loan this unit to others, also loan them these instructions.

SAVE THESE INSTRUCTIONS

• SAFETY & INTERNATIONAL SYMBOLS •

This operator's manual describes safety and international symbols and pictographs that may appear on this product. Read the operator's manual for complete safety, assembly, operating and maintenance and repair information.

SYMBOL	MEANING
	<ul style="list-style-type: none"> • SAFETY ALERT SYMBOL Indicates danger, warning or caution. May be used in conjunction with other symbols or pictographs.
	<ul style="list-style-type: none"> • READ OPERATOR'S MANUAL WARNING: Read the operator's manual(s) and follow all warnings and safety instructions. Failure to do so can result in serious injury to the operator and/or bystanders.
	<ul style="list-style-type: none"> • WEAR EYE AND HEARING PROTECTION WARNING: Thrown objects and loud noise can cause severe eye injury and hearing loss. Wear eye protection meeting current ANSI standards and ear protection when operating this unit. Use a full face shield when needed.
	<ul style="list-style-type: none"> • UNLEADED FUEL Always use clean, fresh unleaded fuel.
	<ul style="list-style-type: none"> • OIL Refer to operator's manual for the proper type of oil.
	<ul style="list-style-type: none"> • DO NOT USE E85 FUEL IN THIS UNIT WARNING: It has been proven that fuel containing greater than 10% ethanol will likely damage this engine and void the warranty.

SYMBOL	MEANING
	<ul style="list-style-type: none"> • ON/OFF STOP CONTROL ON / START / RUN
	<ul style="list-style-type: none"> • ON/OFF STOP CONTROL OFF or STOP
	<ul style="list-style-type: none"> • PRIMER BULB Push primer bulb, fully and slowly, 10 times.
	<ul style="list-style-type: none"> • THROWN OBJECTS AND ROTATING CUTTER CAN CAUSE SEVERE INJURY WARNING: Small objects can be propelled at high speed, causing injury. Keep away from the rotating rotor.
	<ul style="list-style-type: none"> • KEEP BYSTANDERS AWAY WARNING: Keep all bystanders, especially children and pets, at least 50 feet (15 m) from the operating area.
	<ul style="list-style-type: none"> • HOT SURFACE WARNING: Do not touch a hot muffler or cylinder. You may get burned. These parts get extremely hot from operation. When turned off they remain hot for a short time.
	<ul style="list-style-type: none"> • GARDEN CULTIVATORS - ROTATING TINES CAN CAUSE SEVERE INJURY WARNING: Stop the engine and allow the tines to stop before installing or removing tines, or before cleaning or performing any maintenance. Keep hands and feet away from rotating tines.

WARRANTY

CRAFTSMAN TWO YEAR FULL WARRANTY

FOR TWO YEARS from the date of purchase, this product is warranted against any defects in material or workmanship. A defective product will receive free repair or replacement if repair is unavailable.

For warranty coverage details to obtain free repair or replacement, visit the web site: www.craftsman.com

This warranty covers ONLY defects in material and workmanship. Warranty coverage does NOT include:

- Expendable items that can wear out from normal use within the warranty period, such as blades, tines, or belts.
- Product damage resulting from user attempts at product modification or repair or caused by product accessories.
- Repairs necessary because of accident or failure to operate or maintain the product according to all supplied instructions.
- Preventive maintenance, or repairs necessary due to improper fuel mixture, contaminated or stale fuel.

This warranty is void if this product is ever used while providing commercial services or if rented to another person.

This warranty gives you specific legal rights, and you may also have other rights which vary from state to state.

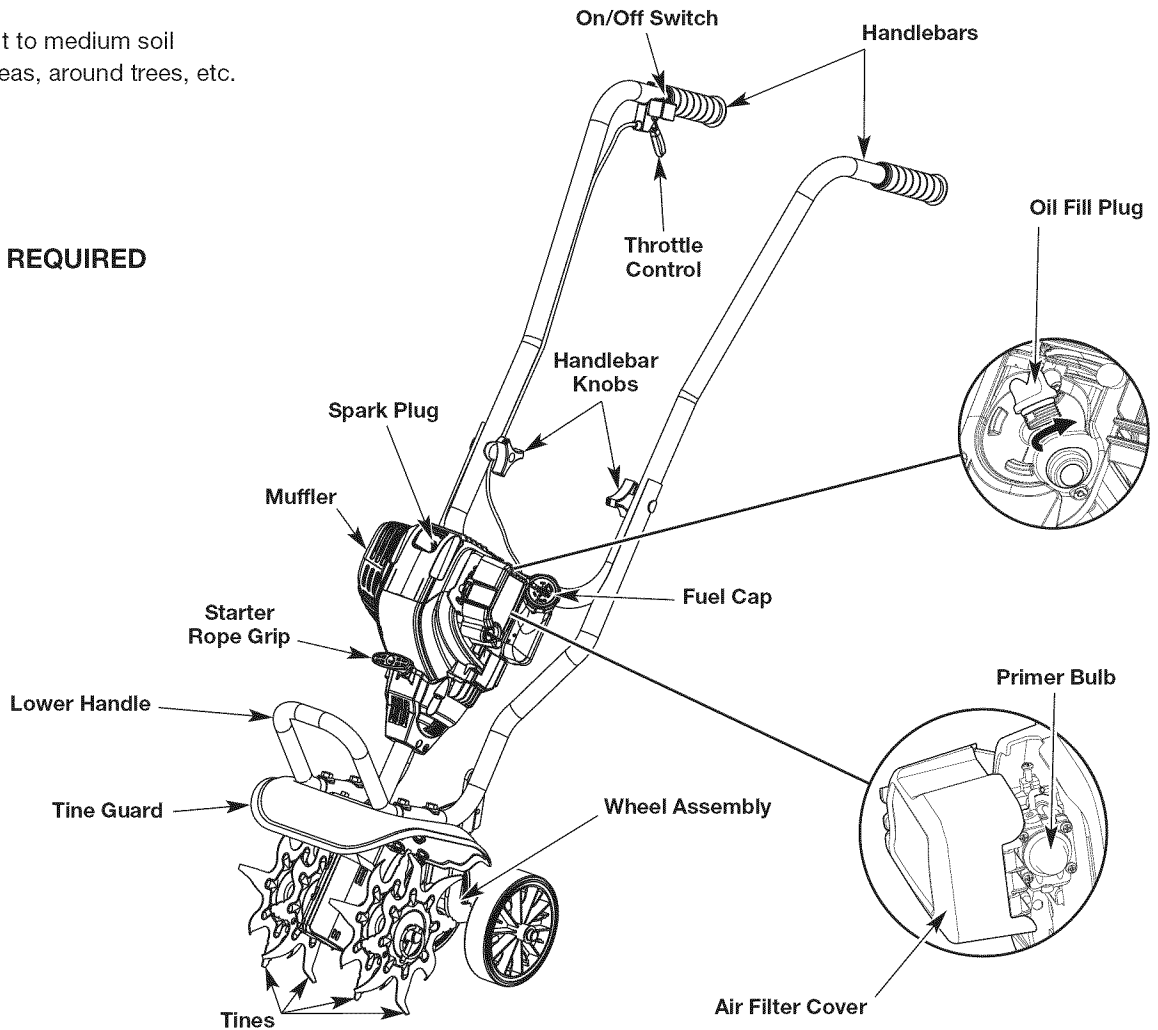
Sears Brands Management Corporation, Hoffman Estates, IL 60179

KNOW YOUR UNIT

APPLICATIONS

- Cultivating sod and light to medium soil
- Cultivating in garden areas, around trees, etc.

NO ASSEMBLY TOOLS REQUIRED



SPECIFICATIONS*

Engine Type	Air-Cooled, 4-Cycle
Displacement	29 cc (1.8 cu. in.)
Idle Speed RPM	2,800 - 3,600 rpm
Operating RPM	6,800+ rpm
Valve Clearance	0.003 - 0.006 in. (0.076 - 0.152 mm)
Spark Plug Gap	0.025 in. (0.635 mm)
Spark Plug	Champion® RDZ4H or equivalent plug
Lubrication	SAE 30 Oil
Crankcase Oil Capacity	3.04 oz. (90 ml)
Fuel Tank Capacity	14 oz. (414 ml)
Approximate Unit Weight (No fuel)	25 lbs. (11.5 kg)
Cultivating Path Width (Maximum)	9 inches (22.86 cm)
Cultivating Depth (Maximum)	6 inches (15.24 cm)

* All specifications are based on the latest product information available at the time of printing. We reserve the right to make changes at any time without notice.

ASSEMBLY

ASSEMBLING THE UNIT

Begin by carefully unpacking the contents and making sure that nothing is damaged.

INSTALLING AND ADJUSTING THE WHEEL ASSEMBLY



WARNING: To prevent serious personal injury, the wheel assembly must be installed when operating the unit.



WARNING: To avoid injury from the tines, wear heavy gloves and a long sleeve shirt when installing the wheel assembly.

Installing the Wheel Assembly

1. Set the unit on its side (Fig. 1).
2. Insert the wheel assembly into the wheel bracket. The curved “J” section should point away from the unit (Fig. 1).
3. Align the hole in the wheel bracket with the desired hole in the wheel assembly.
4. Insert the clevis pin through the aligned holes (Fig. 1).
5. Insert the cotter pin through the hole in the clevis pin (Fig. 1).

NOTE: It may be necessary to adjust the position of the wheel assembly before using the unit.

Adjusting the Wheel Assembly

1. Set the unit on its side (Fig. 1).
 2. Remove the cotter pin from the clevis pin (Fig. 1).
 3. Remove the clevis pin from the wheel assembly and wheel bracket (Fig. 1).
 4. Align the hole in the wheel bracket with the desired hole in the wheel assembly.
 5. Insert the clevis pin through the aligned holes (Fig. 1).
 6. Insert the cotter pin through the hole in the clevis pin (Fig. 1).
- NOTE:** Moving the wheel assembly down will raise the wheel height. Moving the wheel assembly up will lower the wheel height.

INSTALLING THE HANDLEBARS

Perform the following steps for both handlebars:

1. Align the hole in the handlebar with the hole in the lower handle (Fig. 2).

NOTE: Take care not to pinch the throttle cable or switch wires when positioning the handlebars (Fig. 3).

2. Insert a bolt through the aligned holes (Fig. 2).
3. Place a washer onto the bolt (Fig. 2).
4. Place a handlebar knob onto the bolt (Fig. 2).
5. Tighten the handlebar knob to secure the handlebar in place (Fig. 3).

NOTE: Do not over tighten the knobs.

6. Readjust the throttle cable and switch wires so they are smooth and tight against the handlebar assembly. This will help prevent them from catching or snagging during normal operation.

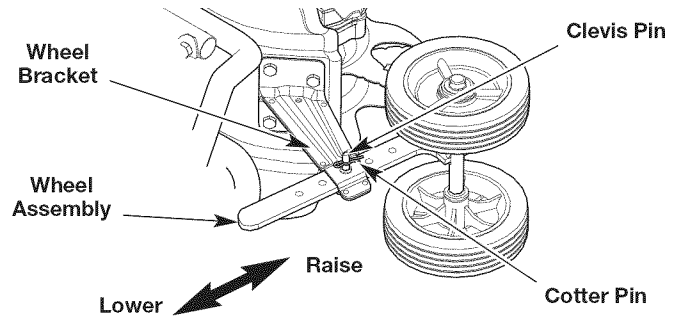


Fig. 1

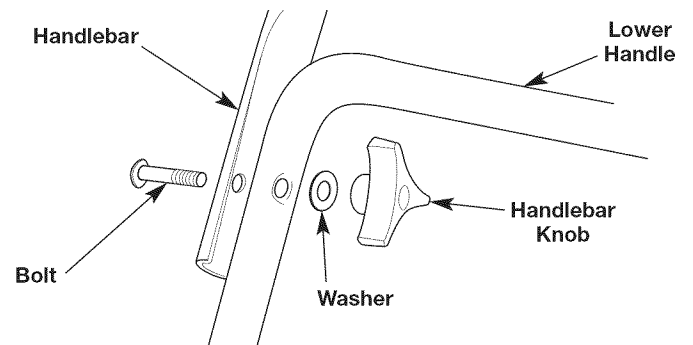


Fig. 2

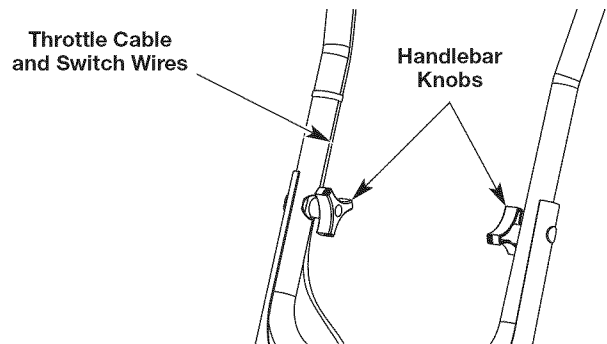



Fig. 3

USING THE RIGHT OIL

Use a high-quality SAE 30 weight oil of API (American Petroleum Institute) service class SJ. **DO NOT** use dirty oil. Failure to use clean oil of the correct type can cause premature engine wear and failure.

ADDING OIL: INITIAL USE

	<p>WARNING: OVERFILLING THE CRANKCASE MAY CAUSE SERIOUS PERSONAL INJURY. Check the oil level before each use. The importance of maintaining the proper oil level cannot be overemphasized. Change the oil according to the <i>Maintenance Schedule</i>.</p>
--	--

NOTE: This unit was shipped without oil in the crankcase. Oil must be added before starting the unit.

NOTE: This unit comes with a 3.04 fluid oz. (90 ml) bottle of oil.

1. Unscrew the top of the oil bottle. Remove the paper seal. Reinstall the top of the oil bottle.
2. Remove the cap from the oil bottle. Cut the tip off the funnel spout (Fig. 4).
3. **Set the unit on a flat, level surface.**
4. Unscrew the oil fill plug (Fig. 5).
5. Pour the entire bottle into the oil fill hole (Fig. 5). **DO NOT** overfill. Refer to *Checking the Oil Level*.

NOTE: Never add oil directly to the fuel tank. This unit has a four-cycle engine. **DO NOT** mix oil with gasoline.

6. Wipe up any oil that may have spilled.
7. Reinstall the oil fill plug.

NOTE: Make sure the O-ring is in place on the oil fill plug (Fig. 5).

NOTE: Save the empty oil bottle. Use the bottle to measure the correct amount of oil during future oil changes.

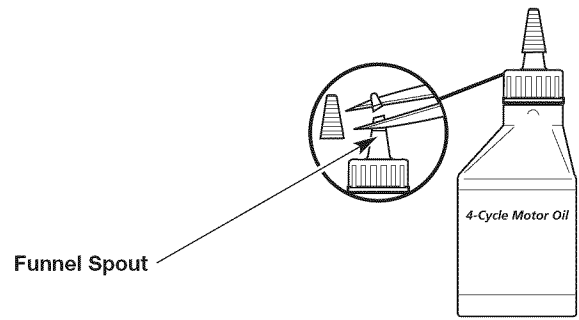


Fig. 4

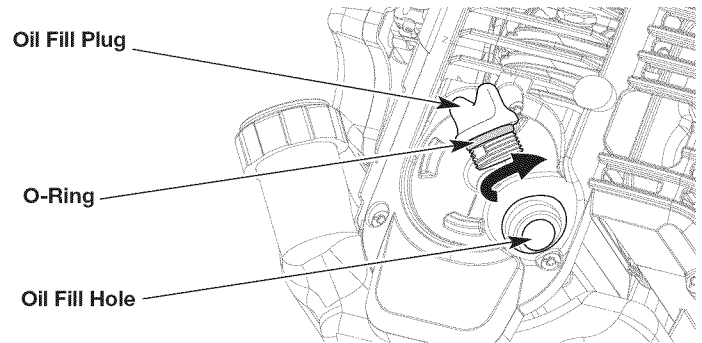


Fig. 5

USING THE RIGHT FUEL

The use of old fuel is the most common cause of performance problems. Use only fresh, clean unleaded gasoline.

Definition of Blended Fuels

Today's fuels are often a blend of gasoline and oxygenates such as ethanol, methanol or MTBE (ether). Alcohol-blended fuel absorbs water. As little as 1% water in the fuel can make fuel and oil separate, forming acids when stored. ALWAYS use fresh fuel (less than 30 days old).

NOTE: Dispose of old fuel according to federal, state and local regulations.

Using Blended Fuels

If using a blended fuel:

- Always use fresh unleaded gasoline
- Use the fuel additive STA-BIL® or an equivalent
- Drain the tank and run the engine dry before storing the unit



WARNING: DO NOT USE E85 FUEL IN THIS UNIT. It has been proven that fuel containing greater than 10% ethanol will likely damage this engine and void the warranty.

Using Fuel Additives

Use a fuel additive, such as STA-BIL Fuel Stabilizer or an equivalent, to inhibit corrosion and minimize gum deposits. Add 0.8 oz. (23 ml) of fuel additive per gallon of fuel, according to the instructions on the container. NEVER add fuel additives directly to the unit's fuel tank.

FUELING THE UNIT



WARNING: Gasoline is extremely flammable. Ignited vapors may explode. Always stop the engine and allow it to cool before filling the fuel tank. Do not smoke while filling the tank. Keep sparks and open flames at a distance from the area.



WARNING: Remove the fuel cap slowly to avoid injury from fuel spray. Never operate the unit without the fuel cap securely in place.



WARNING: Add fuel in a clean, well ventilated outdoor area. Wipe up any spilled fuel immediately. Avoid creating a source of ignition for spilled fuel. Do not start the engine until fuel vapors dissipate.

1. Position the unit with the fuel cap facing up.
2. Remove the fuel cap.
3. Place the fuel container spout into the fill hole on the fuel tank and fill the tank.

NOTE: Do not overfill the tank.

4. Wipe up any fuel that may have spilled.
5. Reinstall the fuel cap.
6. Move the unit at least 30 ft. (9.1 m) from the fuel container and the fueling site before starting the engine.

STARTING AND STOPPING



WARNING: Operate this unit only in a well-ventilated outdoor area. Carbon monoxide exhaust fumes can be lethal in a confined area.



WARNING: Avoid accidentally starting the unit. To avoid serious injury, the operator and the unit must be in a stable position when pulling the starter rope (Fig. 8).

STARTING INSTRUCTIONS

1. Check the oil level. Refer to *Checking the Oil Level*.
2. Fill the fuel tank. Refer to *Fueling the Unit*.

NOTE: There is no need to turn the unit on. The On/Off switch is in the ON (I) position at all times (Fig. 6).

IF COLD... In cold weather conditions (below 40°F), push the red cold weather start lever (Fig. 7) down to the closed position and continue to step 3. **DO NOT** push this lever down if the temperature is above 40°F.

3. Slowly press and release the primer bulb **10 times** (Fig. 7). If fuel cannot be seen in the primer bulb, press and release the primer bulb until fuel is visible.
4. Stand in the starting position (Fig. 8). Hold the handlebar with one hand. **DO NOT squeeze the throttle control**. Hold the starter rope with the other hand. Use one foot to hold the wheels in place.

NOTE: Always tilt the unit back slightly to bring the tines off the ground when starting the unit (Fig. 8).

5. **DO NOT** squeeze the throttle control. Pull the starter rope with a controlled and steady motion **5 times** to start the engine.

NOTE: This unit uses the **INCREDI-PULL™** starting system, which significantly reduces the effort required to start the engine.

6. **DO NOT** squeeze the throttle control. Allow the engine to warm up for 60 seconds.

IF COLD... In cold weather conditions (below 40°F), pull the red cold weather start lever back up to the open position after the unit starts (Fig. 7).

7. Squeeze the throttle control and continue warming the engine for an additional 30 to 60 seconds. The unit may be used during this time.

NOTE: The engine is properly warmed up when it accelerates without hesitation.

IF... the engine does not start, begin the starting procedure with step 3.

IF... the engine stops while squeezing the throttle control, begin the starting procedure with step 4.

IF THE ENGINE IS HOT... Begin the starting procedure with step 3.

STOPPING INSTRUCTIONS

1. Release the throttle control and allow the engine to idle.
2. Press and hold the On/Off switch in the OFF (O) position until the engine comes to a complete stop (Fig. 6).

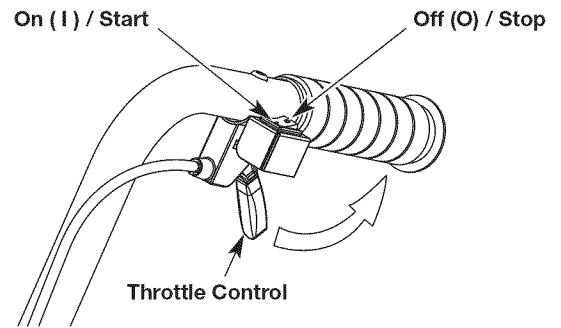


Fig. 6

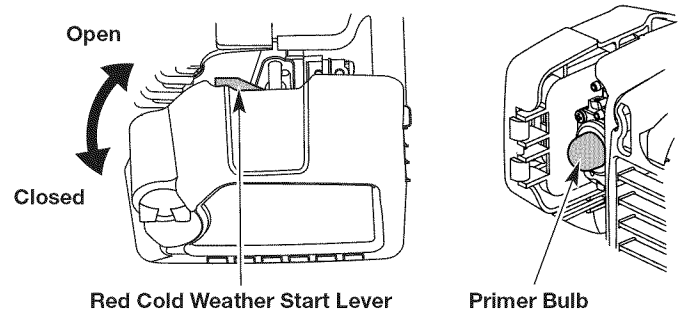


Fig. 7



Fig. 8

NOTE: This unit can use a Speed Start™ Accessory!

Please refer to the Speed Start™ accessory operator's manual for the proper use of this feature. (Items Sold Separately! Refer to the *Speed Start™ Accessory* section of this manual for more information about these Speed Start™ accessories.)

STARTING INSTRUCTIONS

1. Check the oil level. Refer to *Checking the Oil Level*.

2. Fill the fuel tank. Refer to *Fueling the Unit*.

NOTE: There is no need to turn the unit on. The On/Off switch is in the ON (I) position at all times (Fig. 6).

IF COLD... In cold weather conditions (below 40°F), push the red cold weather start lever (Fig. 7) down to the closed position and continue to step 3. **DO NOT** push this lever down if the temperature is above 40°F.

3. Slowly press and release the primer bulb **10 times** (Fig. 7). If fuel cannot be seen in the primer bulb, press and release the primer bulb until fuel is visible.

4. Stand in the starting position (Fig. 8). Hold the handlebar with one hand. **DO NOT squeeze the throttle control.** Use one foot to hold the wheels in place.

NOTE: Always tilt the unit back slightly to bring the tines off the ground when starting the unit (Fig. 8).

5. Insert the Speed Start™ accessory into the Speed Start™ port (Fig. 23). Refer to the *Operation* section of the Speed Start™ accessory operator's manual.

6. **DO NOT** squeeze the throttle control. Run the Speed Start™ accessory in intervals no longer than 2 seconds each until the unit starts.

7. Remove the Speed Start™ accessory from the unit.

8. **DO NOT** squeeze the throttle control. Allow the engine to warm up for 60 seconds.

IF COLD... In cold weather conditions (below 40°F), pull the red cold weather start lever back up to the open position after the unit starts (Fig. 7).

7. Squeeze the throttle control and continue warming the engine for an additional 30 to 60 seconds. The unit may be used during this time.

NOTE: The engine is properly warmed up when it accelerates without hesitation.

IF... the engine does not start, begin the starting procedure with step 3.

IF... the engine stops while squeezing the throttle control, begin the starting procedure with step 4.

IF THE ENGINE IS HOT... Begin the starting procedure with step 3.

STOPPING INSTRUCTIONS

1. Release the throttle control and allow the engine to idle.

2. Press and hold the On/Off switch in the OFF (O) position until the engine comes to a complete stop (Fig. 6).

OPERATION



WARNING: Always wear eye, hearing, hand, foot and body protection to reduce the risk of injury when operating this unit.

OPERATING TIPS

1. Move the cultivator to the work area prior to starting the engine. Refer to *Moving the Unit*.



CAUTION: To prevent serious personal injury, never pick-up or carry the unit while the engine is running.

2. Start the unit as described in the *Starting Instructions*.
3. With the tines off the ground, squeeze the throttle control to increase the engine speed.
4. Hold the handlebars firmly with both hands and slowly lower the unit until the tines make contact with the ground (Fig. 9).
5. As cultivating action begins, pull back on the cultivator so that the tines can penetrate the ground.



WARNING: To prevent serious personal injury, use extreme caution when reversing or pulling the unit towards you.

6. Once the ground has been broken, continue at a moderate pace until you are familiar with the controls and the handling of the cultivator.
7. Pull the cultivator backwards to improve the depth of cultivation and reduce your effort.
8. If the tines are digging too deep or not deep enough, adjust them according to *Adjusting Tine Depth*.



Fig. 9

ADJUSTING THE TINE DEPTH

The tines should penetrate most garden soils approximately 4 to 6 inches. If necessary, adjust the tines as follows:

1. Stop the engine and allow it to cool. Grasp the spark plug wire firmly and pull the cap from the spark plug.
2. Raise the wheel height for shallower tine penetration or lower the wheel height for deeper tine penetration. Refer to *Adjusting the Wheel Assembly* in the *Assembly Instructions* section.
3. Reconnect the spark plug wire and continue use.

MOVING THE UNIT



WARNING: To prevent serious personal injury, always stop the engine when operation is delayed or when moving the unit from one location to another.

1. Stop the engine.
2. Tilt the unit back until the tines clear the ground.
3. Push or pull the unit to the next location.

MAINTENANCE



WARNING: To prevent serious injury, never perform maintenance or repairs while the unit is running. Always allow the unit to cool before servicing or repairing the unit. Disconnect the spark plug wire to prevent the unit from starting accidentally.

MAINTENANCE SCHEDULE

Perform these required maintenance procedures at the frequency stated in the table. These procedures should also be a part of any seasonal tune-up.

NOTE: Some maintenance procedures may require special tools or skills. If unsure about these procedures, take the unit to a Sears or other qualified service dealer. Call **1-800-4-MY-HOME** for more information.

NOTE: Maintenance, replacement, or repair of the emission control devices and system may be performed by a Sears or other qualified service dealer. Call **1-800-4-MY-HOME** for more information.

NOTE: Please read the California/EPA statement that came with the unit for a complete listing of terms and coverage for the emissions control devices, such as the spark arrestor, muffler, carburetor, etc.

FREQUENCY	MAINTENANCE REQUIRED
Every 10 hours	<ul style="list-style-type: none"> Clean and re-oil the air filter. Refer to <i>Maintaining the Air Filter</i>.
After the first 10 hours and every 40 hours	<ul style="list-style-type: none"> Change the oil. Refer to <i>Changing the Oil</i>. Check the rocker arm clearance. Refer to <i>Checking the Rocker Arm Clearance</i>. Check the spark plug condition and gap. Refer to <i>Maintaining the Spark Plug</i>.

TINE REMOVAL AND REPLACEMENT



WARNING: To prevent serious personal injury, always wear heavy gloves when handling the tines.

All 4 tines should be replaced at the same time because they will wear evenly through normal use. Work on one side at a time.

1. Stop the engine and allow it to cool. Grasp the spark plug wire firmly and pull the cap from the spark plug.
2. Lay the cultivator back on a flat level surface with the handles touching the ground so that the cultivator is in a horizontal position.

NOTE: It may be necessary to wash any dirt off the tines and shaft for easier tine removal.

3. Remove the click pins from each end of the tine shaft (Fig. 10). Slide the tines off of the shaft.
4. Clean and oil the shaft.
5. Slide on the new tines with the hubs facing in towards each other (Fig. 10).

NOTE: Each tine has a convex side. Make sure that all of the convex sides are facing as shown in Figure 10.

6. Secure the new tines to the shaft with click pins (Fig. 10).
7. Reconnect the spark plug wire.

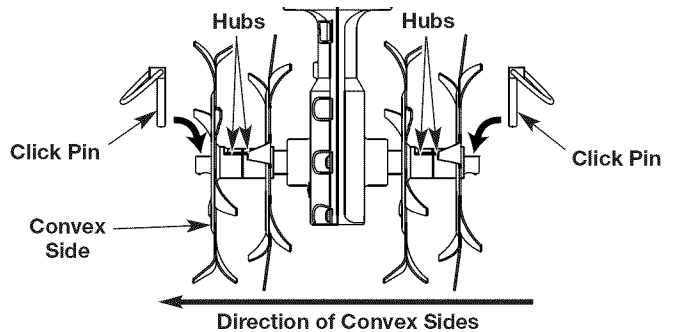
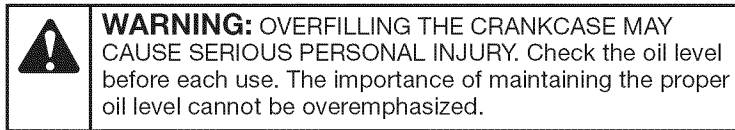


Fig. 10

CHECKING THE OIL LEVEL



1. Stop the engine and allow it to cool.
2. **Set the unit on a flat, level surface**, with the handles touching the ground, so that the engine is level (Fig. 11).

NOTE: Failure to keep the engine level may cause the oil to overfill.

3. Clean the area around the oil fill plug (Fig. 5) to prevent debris from entering the oil fill hole.
4. Unscrew the oil fill plug.
5. Look into the oil fill hole; use a flashlight if necessary. **The oil level should just touch the bottom thread of the oil fill hole** (Fig. 12). If the oil level is too low, add oil to the oil fill hole until the oil level touches the bottom thread of the oil fill hole.

NOTE: **DO NOT** overfill the crankcase.

6. Wipe up any oil that may have spilled.
7. Reinstall the oil fill plug.

NOTE: Make sure the O-ring is in place on the oil fill plug (Fig. 5).

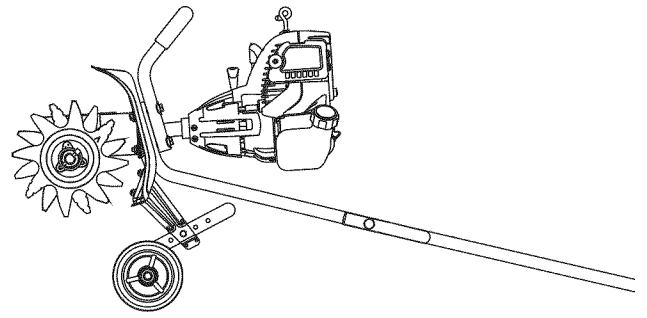


Fig. 11

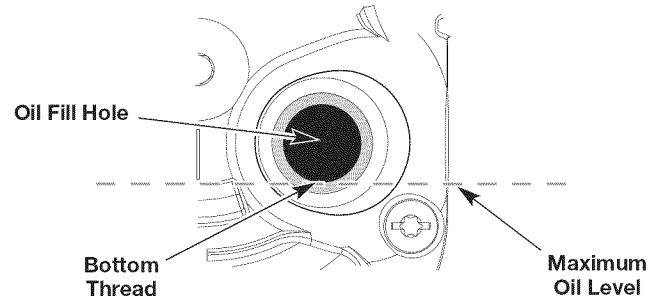


Fig. 12

CHANGING THE OIL

Change the oil while the engine is still warm. The oil will flow freely and carry away more impurities.

1. Clean the area around the oil fill plug (Fig. 5) to prevent debris from entering the oil fill hole.
2. Unscrew the oil fill plug.
3. Tip the unit vertically to pour the oil out of the oil fill hole and into a container (Fig. 13). Allow ample time for complete drainage.

NOTE: Dispose of the old oil according to federal, state and local regulations.

4. Wipe up any oil that may have spilled.
5. Pour 3.04 fl.oz. (90 ml) of SAE 30 SJ oil into the oil fill hole.

NOTE: **DO NOT** overfill. Refer to *Checking the Oil Level*.

NOTE: Use the empty oil bottle saved from the initial use to measure the correct amount of oil. Fill the bottle to the top of the label to approximate 3.04 fl.oz. (90 ml) of oil (Fig. 14).

6. Wipe up any oil that may have spilled.
7. Reinstall the oil fill plug.

NOTE: Make sure the O-ring is in place on the oil fill plug (Fig. 5).

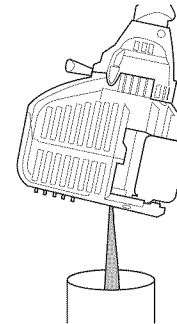


Fig. 13

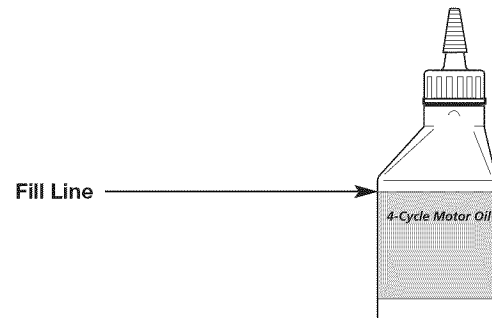


Fig. 14

MAINTAINING THE AIR FILTER



WARNING: To avoid serious personal injury, always stop the engine and allow it to cool before cleaning or maintaining the unit.

Failure to maintain the air filter can result in poor performance or can cause permanent damage to the engine. Engine failure due to improper air filter maintenance is not covered by the product warranty.

Cleaning the Air Filter

1. Open the air filter cover by unscrewing the cover screw (Fig. 15).
2. Remove the air filter and the screen that sits behind it (Fig. 15).
3. Wash the air filter in detergent and water. Rinse the air filter thoroughly and allow it to dry.
4. Lightly coat the air filter with clean SAE 30 oil.
5. Squeeze the air filter to spread and remove excess oil.
6. Reinstall the air filter and the screen that sits behind it (Fig. 15).

NOTE: Operating the unit without the air filter and air filter cover will VOID the warranty.

7. Insert the hooks on the air filter cover into the slots on the air filter housing (Fig. 16).
8. Swing the air filter cover to the left and align the cover screw with the cover screw hole (Fig. 16). Tighten the cover screw to secure the air filter cover.

NOTE: Do not over tighten as this may strip the screw.

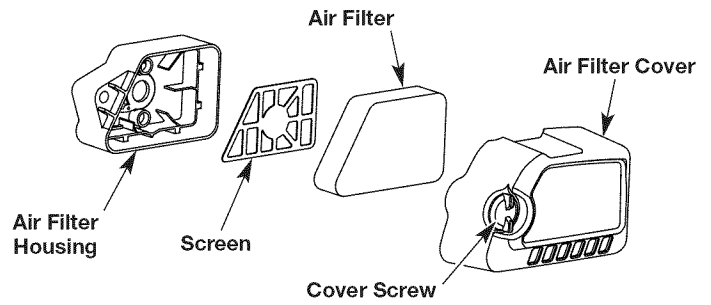


Fig. 15

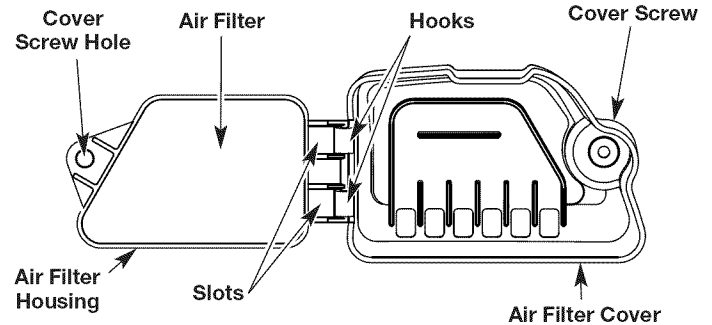


Fig. 16

ADJUSTING THE IDLE SPEED



WARNING: The cutting head may spin during idle speed adjustments. Wear protective clothing and observe all safety instructions to prevent serious personal injury.

NOTE: Careless adjustments can seriously damage the unit. A Sears or other qualified service dealer should make carburetor adjustments.

If, after checking the fuel and cleaning the air filter, the engine still will not idle, adjust the idle speed screw as follows:

1. Start the engine. Refer to *Starting and Stopping*.
2. Release the throttle control and let the engine idle. If the engine stops, use a small Phillips screwdriver to turn the idle speed screw clockwise, 1/8 of a turn at a time (as needed) until the engine idles smoothly (Fig. 17).
3. If the engine is idling too quickly, turn the idle speed screw counterclockwise, 1/8 of a turn at a time (as needed) to reduce the idle speed (Fig. 17).

Checking the fuel, cleaning the air filter, and adjusting the idle speed should solve most engine problems. If not, and any of the following conditions are true, take the unit to a Sears or other qualified service dealer:

- the engine will not idle
- the engine hesitates or stalls on acceleration
- there is a loss of engine power

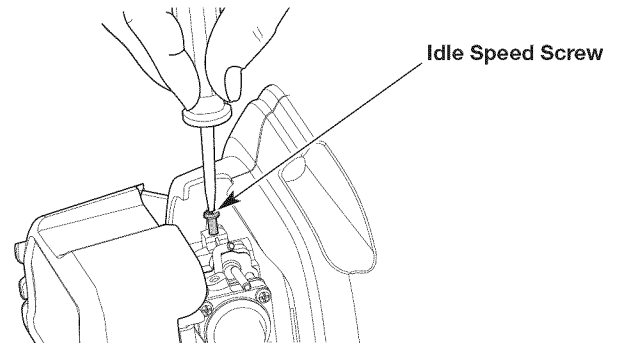


Fig. 17

CHECKING THE ROCKER ARM CLEARANCE

This adjustment requires disassembly of the engine. If you feel unsure or unqualified to perform this, take the unit to a Sears or other qualified service dealer.

The engine must be cold when checking or adjusting the rocker arm clearance. This task should be performed inside, in a clean, dust-free area.

1. Remove the 6 screws from the engine cover with a flat-head screwdriver or T-25 Torx screwdriver (Fig. 18). Remove the engine cover.
2. Disconnect the spark plug wire.
3. Clean the area around the spark plug.
4. Remove the spark plug from the cylinder with a 5/8 in. socket, turning counterclockwise.
5. Clean the rocker arm cover.
6. Remove the screw from the rocker arm cover with a flat-head screwdriver or T-25 Torx screwdriver (Fig. 19). Remove the rocker arm cover and gasket (Fig. 20).
7. Look into the spark plug hole (Fig. 19) and pull the starter rope slowly to move the piston. Make sure:
 - The piston is at the top of its travel (top dead center)
 - Both rocker arms move freely and both valves are closedIf these statements are not true, repeat this step.
8. Use a feeler gauge to measure the clearance between one of the valve stems and its corresponding rocker arm (Fig. 21). Repeat this process for the other valve stem and rocker arm. The recommended clearance is **0.003 – 0.006 in. (0.076 – 0.152 mm)**. Use a standard automotive **0.005 in. (0.127 mm)** feeler gauge. The feeler gauge should slide between the rocker arm and valve stem with a slight amount of resistance, without binding (Fig. 21).
9. If the clearance is not within specification:
 - a. Turn the adjusting nut with a 5/16 inch (8 mm) wrench or nut driver (Fig. 21).
 - To increase clearance, turn the adjusting nut counterclockwise.
 - To decrease clearance, turn the adjusting nut clockwise.
 - b. Recheck both clearances and adjust as necessary.
10. Install a new gasket and reinstall the rocker arm cover. Torque the screw to: **20–30 in•lb (2.2–3.4 N•m)**.
11. Inspect and reinstall the spark plug. Refer to *Maintaining the Spark Plug*.
12. Reconnect the spark plug wire.
13. Reinstall the engine cover. Check the alignment of the engine cover before tightening the screws. Tighten the screws.

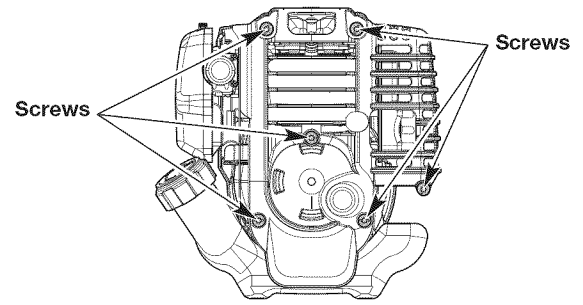


Fig. 18

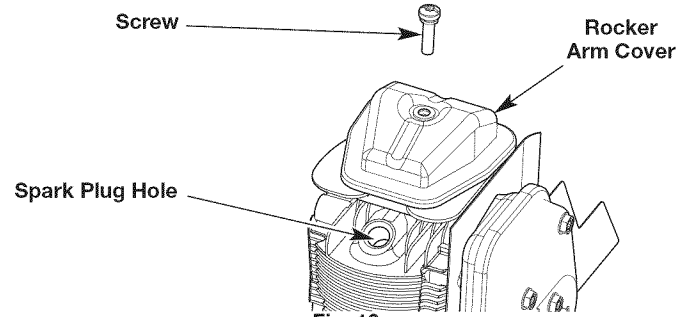


Fig. 19

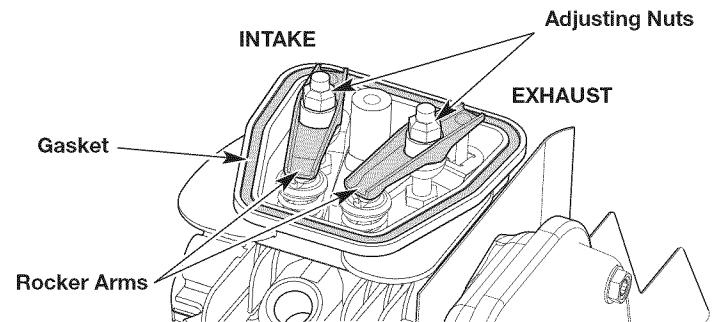


Fig. 20

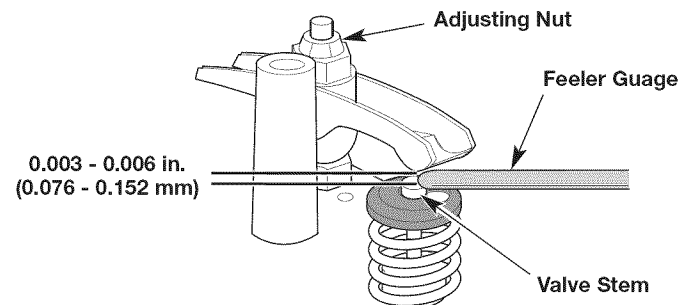
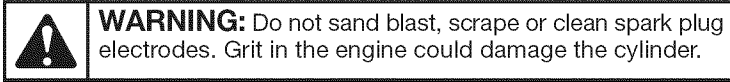


Fig. 21

MAINTAINING THE SPARK PLUG

1. Stop the engine and allow it to cool.
2. Remove the 6 screws from the engine cover with a flat-head screwdriver or T-25 Torx screwdriver (Fig. 18). Remove the engine cover.
3. Grasp the spark plug boot firmly and pull it from the spark plug.
4. Clean around the spark plug. Remove the spark plug from the cylinder head with a 5/8-inch socket, turning counterclockwise.



5. Inspect the spark plug. If the spark plug is cracked, fouled or dirty, replace it with a replacement part **#753-05784**, a **Champion RDZ4H** or an equivalent spark plug.
6. Use a feeler gauge to set the air gap at **0.025 in. (0.635 mm)** (Fig. 22).
7. Install the spark plug in the cylinder head. Tighten the spark plug with a 5/8-inch socket, turning it clockwise until snug.

NOTE: If using a torque wrench, torque to:

110-120 in.·lb. (12.3-13.5 N·m). Do not over tighten.

8. Reattach the spark plug boot.
9. Reinstall the engine cover. Check the alignment of the engine cover before tightening the screws. Tighten the screws.

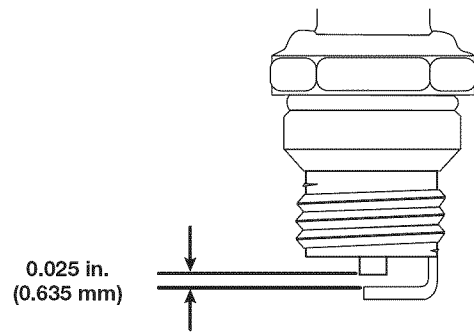


Fig. 22

CLEANING AND STORAGE

CLEANING



WARNING: To avoid serious personal injury, always stop the engine and allow it to cool before cleaning or maintaining the unit.

Use a small brush to clean the outside of the unit. Do not use strong detergents. Household cleaners that contain aromatic oils such as pine and lemon, and solvents such as kerosene, can damage plastic. Wipe off any moisture with a soft cloth.

STORAGE

- Never store a fueled unit where fumes may reach an open flame or spark.
- Allow the engine to cool before storing.
- Lock up the unit to prevent unauthorized use or damage.
- Store the unit in a dry, well-ventilated area.
- Store the unit out of the reach of children.

Long-term Storage

1. Remove the fuel cap, tip the unit and drain the fuel into an approved container.
2. Start the engine and allow it to run until it stalls. This ensures that all fuel has been drained from the carburetor.
3. Allow the engine to cool. Remove the spark plug and put 5 drops of any high quality motor oil into the cylinder. Pull the starter rope slowly to distribute the oil. Reinstall the spark plug.
4. Thoroughly clean the unit and inspect it for any loose or damaged parts. Repair or replace damaged parts and tighten loose screws, nuts or bolts.

Preparing the Unit for Use after Long-term Storage

1. Remove the spark plug and drain all of the oil from the cylinder.
2. Change the oil. Refer to *Changing the Oil*.

NOTE: Do not use fuel that has been stored for more than 30 days. Dispose of old fuel and oil according to federal, state and local regulations.

SPEED START™ ACCESSORY

This unit can be started with an optional Speed Start™ accessory (items sold separately). Please contact your local Craftsman retailer, call **1-800-4-MY-HOME®** or visit www.craftsman.com for more information.

Item No.	Description
316.85951	Plug-In Power Start
316.85952	Power Bit Start
316.85953	Cordless Power Start

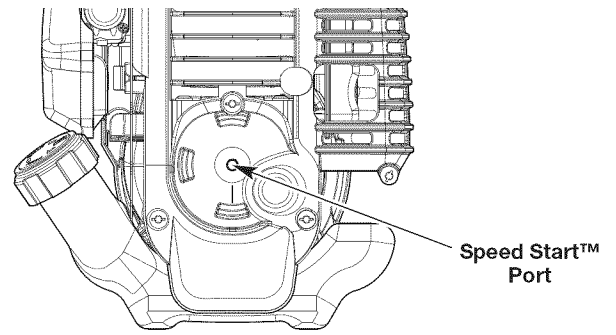


Fig. 23

TROUBLESHOOTING

PROBLEM	SOLUTION
THE ENGINE WILL NOT START	
The fuel tank is empty	Fill the fuel tank with fresh fuel
The primer bulb was not pressed enough	Press the primer bulb 10 times or until fuel is visible
The fuel is old (over 30 days)	Drain the fuel tank and add fresh fuel
The spark plug is fouled	Replace the spark plug
The cold weather start lever is in the closed position	Move the cold weather start lever to the open position
THE ENGINE WILL NOT IDLE	
The air filter is dirty	Clean or replace the air filter
The fuel is old (over 30 days)	Drain the fuel tank and add fresh fuel
The idle speed is incorrect	Adjust the idle speed
THE ENGINE WILL NOT ACCELERATE	
The fuel is old (over 30 days)	Drain the fuel tank and add fresh fuel
The cultivator tines are bound with dirt or grass	Stop the engine and clean the cultivator tines
The air filter is dirty	Clean or replace the air filter
ENGINE LACKS POWER OR STALLS WHEN CULTIVATING	
The fuel is old (over 30 days)	Drain the fuel tank and add fresh fuel
The air filter is dirty	Clean or replace the air filter
The spark plug is fouled	Replace the spark plug

NEED MORE HELP?

You'll find the answer and more on managemylife.com – for free!

- Find this and all your other product manuals online.
- Get answers from our team of home experts.
- Get a personalized maintenance plan for your home.
- Find information and tools to help with home projects.



brought to you by Sears

REPAIR PROTECTION AGREEMENTS

Congratulations on making a smart purchase. Your new Craftsman® product is designed and manufactured for years of dependable operation. But like all products, it may require repair from time to time. That's when having a Repair Protection Agreement can save you money and aggravation.

Here's what the Repair Protection Agreement* includes:

- ☑ **Expert service** by our 10,000 professional repair specialists
- ☑ **Unlimited service and no charge** for parts and labor on all covered repairs
- ☑ **Product replacement** up to \$1500 if your covered product can't be fixed
- ☑ **Discount of 25%** from regular price of service and related installed parts not covered by the agreement; also, 25% off regular price of preventive maintenance check
- ☑ **Fast help by phone** – we call it Rapid Resolution - phone support from a Sears representative. Think of us as a “talking owner’s manual.”

Once you purchase the Repair Protection Agreement, a simple phone call is all that it takes for you to schedule service. You can call anytime day or night, or schedule a service appointment online.

The Repair Protection Agreement is a risk-free purchase. If you cancel for any reason during the product warranty period, we will provide a full refund. Or, a prorated refund anytime after the product warranty period expires. Purchase your Repair Protection Agreement today!

Some limitations and exclusions apply. For prices and additional information in the U.S.A. call 1-800-827-6655.

***Coverage in Canada varies on some items. For full details call Sears Canada at 1-800-361-6665.**

Sears Installation Service

For Sears professional installation of home appliances, garage door openers, water heaters, and other major home items, in the U.S.A. or Canada call **1-800-4-MY-HOME**.

Manual del Operador

CRAFTSMAN®

Motor de 4 tiempos

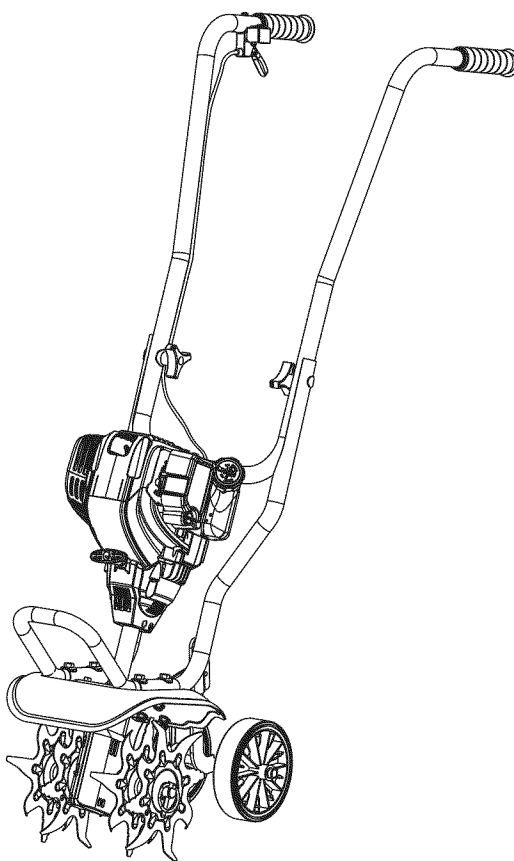
Con Posibilidad de Arranque Eléctrico

CULTIVADOR

Modelo No. 316.299372



INCREDI-PULL™
UNBELIEVABLE STARTING EASE™



PRECAUCIÓN: Antes de utilizar, este producto lea este manual y siga todas las reglas de seguridad e instrucciones de operación.

- SEGURIDAD
- ENSAMBLAJE
- OPERACIÓN
- MANTENIMIENTO
- LISTA DE PIEZAS

Sears Brands Management Corporation, Hoffman Estates, IL 60179 U.S.A.

Visite nuestro sitio web: www.craftsman.com

TABLA DE CONTENIDO

Seguridad	24
Garantía	27
Conozca su unidad	28
Especificaciones	28
Ensamblaje	29
Aceite y combustible	30
Arranque y parada	32
Operación	34
Mantenimiento	35
Limpieza y almacenamiento	40
Accesorio Speed Start™	41
Localización y solución de problemas	42
Convenio de protección de reparación	43
Lista de piezas	46
Números de servicio	Contraportada

Toda la información, las ilustraciones y especificaciones que contiene este manual se basan en la información más reciente del producto, existente en el momento de la impresión. Nos reservamos el derecho de hacer cambios en cualquier momento, sin previo aviso.

SEGURIDAD

El propósito de los símbolos de seguridad es llamar la atención sobre posibles peligros. Los símbolos de seguridad y sus explicaciones merecen toda su atención y comprensión. Las advertencias de seguridad no eliminan de por sí ningún peligro. Las instrucciones o advertencias que dan no sustituyen las medidas adecuadas de prevención de accidentes.

SÍMBOLO SIGNIFICADO

	PELIGRO: Indica un peligro EXTREMO. El no obedecer una señal de seguridad de PELIGRO TRAERÁ COMO CONSECUENCIA que usted u otras personas puedan sufrir lesiones graves o la muerte.
	ADVERTENCIA: Indica un peligro GRAVE. El no obedecer una señal de ADVERTENCIA de seguridad PUEDE conducir a que usted u otras personas sufran graves lesiones.
	PRECAUCIÓN: Indica un peligro MODERADO. El no obedecer una señal de PRECAUCIÓN de seguridad PUEDE conducir a daños a la propiedad o a que usted u otras personas se lesionen.

NOTA: Indica información o instrucciones de vital importancia para la operación o el mantenimiento del equipo.

NOTA SOBRE EL PARACHISPAS

NOTA: Para usuarios de la Zona Forestal de EE. UU., y los estados de California, Maine, Oregón y Washington. Todas las zonas forestales de EE.UU., así como los estados de California (Códigos de Recursos Públicos 4442 y 4443), Oregón y Washington exigen, por ley, que determinados motores de combustión interna operados en matorrales boscosos y/o zonas cubiertas de hierba, estén equipados con un parachispas y se mantengan en buen estado de funcionamiento, o que el motor sea construido, equipado y mantenido con vista a la prevención de incendios. Compruebe con las autoridades de su estado o localidad las reglamentaciones relacionadas con estos requisitos. Si no cumple estos requisitos podría estar sujeto a responsabilidad civil o multa. **Esta unidad viene equipada de fábrica con un parachispas.** El reemplazo requiere la pieza **No. 753-06238 del conjunto del silenciador**, instalada en un Centro de Piezas y Servicio de Reparaciones de Sears.

	PROPOSICIÓN 65 DEL ESTADO DE CALIFORNIA ADVERTENCIA: Los gases de escape, algunos de sus componentes y determinados productos terminados contienen o emiten productos químicos de los que el estado de California tiene conocimiento provocan cáncer, malformaciones congénitas u otros daños al sistema reproductor. Lávese las manos después de manipularlos.
--	--

Lea el manual del operador y siga todas las advertencias e instrucciones de seguridad. No hacerlo puede ocasionar lesiones graves al operador y/o a las personas presentes.

• INSTRUCCIONES DE SEGURIDAD IMPORTANTES •

LEA TODAS LAS INSTRUCCIONES ANTES DE OPERAR LA UNIDAD



ADVERTENCIA: Al usar la unidad deben seguirse todas las normas de seguridad. Lea estas instrucciones antes de operar la unidad a fin de garantizar la seguridad del operador y de cualquier otra persona presente. Guarde estas instrucciones para poder usarlas más adelante.

- Lea detenidamente las instrucciones. Familiarícese con los controles y el uso adecuado de la unidad.
- No opere esta unidad si está cansado, enfermo o bajo los efectos del alcohol, drogas o medicamentos.
- Los niños no deben operar la unidad. Los adolescentes deben estar acompañados y supervisados por un adulto.
- Todos los dispositivos de protección y los accesorios de seguridad deben estar instalados adecuadamente antes de operar la unidad.
- Inspeccione la unidad antes de utilizarla. Reemplace las piezas dañadas. Verifique que no haya fugas de combustible. Asegúrese de que todos los sujetadores estén en su sitio y asegurados. Cambie las piezas rajadas, melladas o dañadas de cualquier forma.
- Tenga en cuenta el riesgo de lesiones a la cabeza, las manos y los pies.
- Limpie el área antes de cada uso. Retire las piedras, vidrios rotos, clavos, alambres, cadenas y otros objetos que podrían salir despedidos o enredarse en la unidad. Aleje a los niños, personas presentes y animales domésticos del área; manténgalos fuera de un radio de 50 pies (15 m) como mínimo. Aún así es posible que se arriesguen a ser golpeados por los objetos lanzados. Sugiera a los presentes usar protección para los ojos. Si alguien se le acerca, pare la unidad inmediatamente.
- Apriete el control del regulador y compruebe que regresa automáticamente a la posición de marcha en vacío. Haga todos los ajustes o reparaciones antes de usar la unidad.

ADVERTENCIAS DE SEGURIDAD PARA UNIDADES DE GASOLINA



ADVERTENCIA: La gasolina es sumamente inflamable y, de prenderse, sus vapores pueden hacer explosión. Tome las siguientes precauciones:

- Almacene el combustible solo en los recipientes diseñados y aprobados específicamente para estos materiales.
- Pare siempre el motor y deje que se enfríe antes de llenar el tanque. Nunca quite la tapa del tanque de combustible ni eche combustible cuando el motor esté caliente. Antes de llenar el tanque, siempre afloje la tapa lentamente para disipar la presión del mismo.
- Siempre agregue el combustible en un área exterior bien ventilada y limpia, donde no haya chispas ni llamas. NO fume.
- No opere nunca la unidad si la tapa del combustible no está bien asegurada en su lugar.
- Evite el peligro de incendio debido a combustible derramado. Limpie de inmediato todo combustible derramado de la unidad antes de encenderla. Antes de arrancar el motor, aleje la unidad a una distancia de 30 pies (9.1 m) como mínimo del lugar de abasto de combustible. NO fume.
- No arranque ni use nunca la unidad dentro de una habitación o edificio cerrados. Inhalar los gases de escape puede ser fatal. Opere esta unidad solamente en un área exterior bien ventilada.

AL OPERAR LA UNIDAD

- Lleve puestas gafas o lentes de seguridad que cumplan las normas actuales ANSI y estén marcados como tales. Use siempre protección para los oídos al operar esta unidad. Si la operación levanta polvo, lleve puesta una máscara facial o contra el polvo.
- Use pantalones largos y gruesos, botas, guantes y camisa de mangas largas. No use ropa holgada, alhajas, pantalones cortos, sandalias ni ande descalzo. Asegure su cabello por encima del nivel de los hombros.
- Esta unidad tiene un embrague. Las púas permanece estacionario cuando la unidad está en marcha en vacío. De no hacerlo, lleve la unidad a Sears o a otro distribuidor de servicio calificado para su ajuste.
- Verifique que las púas no hagan contacto con ningún objeto antes de arrancar la unidad.
- Use la unidad únicamente a la luz del día o con buena luz artificial.
- Evite los arranques accidentales. Póngase en la posición de arranque siempre que tire de la cuerda. El operador y la unidad deben estar en una posición estable durante el arranque. Consulte la sección *Arranque y Parada*.
- Use la herramienta correcta. Use esta herramienta solamente con el propósito previsto.
- Tenga mucho cuidado cuando invierta o mueva la unidad hacia usted.
- No se extienda demasiado. Mantenga siempre una posición y equilibrio adecuados. Tenga mucho cuidado cuando trabaje en pendientes marcadas o inclinadas.
- Sostenga siempre la unidad con ambas manos durante la operación. Mantenga un buen agarre en los mangos del manubrio.
- Mantenga las manos, la cara y los pies lejos de todas las partes móviles. No toque o trate de detener las piezas móviles.
- No toque el motor, el bastidor del engranaje ni el silenciador. Estas partes se ponen extremadamente calientes durante la operación y aún después de apagada la unidad.
- No opere el motor a una velocidad mayor que la necesaria para el trabajo. No ponga a funcionar el motor a alta velocidad si no está usando la unidad.
- Apague siempre el motor cuando el trabajo se demore o al caminar de un lugar a otro.
- Si golpea o se enreda con un objeto extraño, pare de inmediato el motor y verifique si hay algún daño. No ponga a funcionar el equipo sin reparar el daño. No opere la unidad si hay piezas flojas o dañadas.
- Apague el motor y desconecte la bujía para darle mantenimiento o hacer reparaciones.
- Utilice solamente las piezas de repuesto y accesorios del fabricante original que se listan en la sección Lista de piezas de este manual. El uso de cualquier pieza o accesorio no autorizado podría causar lesiones graves al usuario o daños a la unidad y anular la garantía.
- Mantenga la unidad limpia de vegetación y otros materiales que puedan trabarse o enredarse en la unidad.
- Para evitar el peligro de incendio, reemplace el silenciador y parachispas defectuosos. Mantenga el motor y el silenciador sin hierbas, hojas, grasa excesiva y sin acumulación de carbón.

OTRAS ADVERTENCIAS DE SEGURIDAD

- No guarde nunca la unidad con combustible en el tanque ni dentro de una edificación en la que los gases puedan ponerse en contacto con una llama expuesta (luces piloto, etc.) o chispas (interruptores, motores eléctricos, etc.).

- Espere a que el motor se enfríe para guardar o transportar la unidad. Cerciórese de asegurar bien la unidad al transportarla.
- Guarde la unidad en un lugar seco, bajo llave o en alto, a fin de evitar su uso no autorizado o daño. Manténgala fuera del alcance de los niños.
- No moje ni rocíe la unidad con agua ni con ningún otro líquido. Mantenga los mangos secos, limpios y sin suciedades. Limpie la unidad después de cada uso, consulte las instrucciones de *Limpieza y almacenamiento*.
- Guarde estas instrucciones. Consúltelas con frecuencia y utilícelas para instruir a otros usuarios. Si le presta esta unidad a alguien, préstele también estas instrucciones.

GUARDE ESTAS INSTRUCCIONES

• SÍMBOLOS INTERNACIONALES Y DE SEGURIDAD •

Este manual del operador describe símbolos y pictografías internacionales y de seguridad que posiblemente aparezcan en este producto. Lea el manual del operador para informarse bien sobre la seguridad, ensamblaje, operación, mantenimiento y reparación.

SÍMBOLO SIGNIFICADO

	<ul style="list-style-type: none"> • SÍMBOLO DE ALERTA DE SEGURIDAD Indica peligro, advertencia o precaución. Puede utilizarse junto a otros símbolos o pictografías.
	<ul style="list-style-type: none"> • LEA EL MANUAL DEL OPERADOR ADVERTENCIA: Lea el o los manuales del operador y siga todas las advertencias e instrucciones de seguridad. No hacerlo puede ocasionar lesiones graves al operador y/o a las personas presentes.
	<ul style="list-style-type: none"> • USE PROTECCIÓN PARA LOS OJOS Y OÍDOS ADVERTENCIA: Los objetos lanzados y el ruido fuerte pueden ocasionar lesiones graves a los ojos y pérdida de la audición. Al operar esta unidad, use protección para los ojos que cumpla con la normas ANSI y protección para los oídos. De ser necesario, use un protector facial completo.
	<ul style="list-style-type: none"> • COMBUSTIBLE SIN PLOMO Use siempre combustible fresco, limpio y sin plomo.
	<ul style="list-style-type: none"> • ACEITE Consulte el tipo de aceite adecuado en el manual del operador.
	<ul style="list-style-type: none"> • NO USE COMBUSTIBLE E85 EN ESTA UNIDAD ADVERTENCIA: Se ha comprobado que es probable que el combustible con más de 10% de etanol dañe este motor, lo que anulará la garantía.

SÍMBOLO SIGNIFICADO

	<ul style="list-style-type: none"> • CONTROL DE ENCENDIDO/APAGADO DE PARADA ENCENDIDO / ARRANQUE / FUNCIONAMIENTO
	<ul style="list-style-type: none"> • CONTROL DE ENCENDIDO/APAGADO DE PARADA APAGADO o PARADA
	<ul style="list-style-type: none"> • PERA DEL CEBADOR Oprima 10 veces la pera del cebador, lentamente y por completo.
	<ul style="list-style-type: none"> • LOS OBJETOS QUE SALEN DESPEDIDOS Y LA CUCHILLA GIRATORIA PUEDEN OCASIONAR LESIONES GRAVES ADVERTENCIA: Los objetos pequeños pueden ser lanzados a gran velocidad y ocasionar lesiones. Manténgase alejado del rotor cuando esté girando.
	<ul style="list-style-type: none"> • MANTENGA ALEJADOS A LOS PRESENTES ADVERTENCIA: Mantenga a todos los presentes, especialmente a los niños y animales domésticos, a una distancia de al menos 50 pies (15 m).
	<ul style="list-style-type: none"> • SUPERFICIE CALIENTE ADVERTENCIA: No toque un silenciador o cilindro calientes. Podría quemarse. Estas partes se ponen extremadamente calientes durante la operación. Después de apagada la unidad, se mantendrán calientes durante un rato.
	<ul style="list-style-type: none"> • CULTIVADORES PARA JARDINES – LAS PUAS GIRATORIAS PUEDEN CAUSAR GRAVES LESIONES ADVERTENCIA: Apague el motor y espere que las puas se detengan antes de instalar o sacar las puas, o antes de realizar la limpieza o todo tipo de mantenimiento. Mantenga las manos y los pies lejos de las puas giratorias.

GARANTÍA

GARANTÍA TOTAL POR DOS AÑOS CRAFTSMAN

Este producto se garantiza POR DOS AÑOS a partir de la fecha de compra, contra cualquier defecto de materiales o mano de obra. Un producto defectuoso se reparará sin costo alguno o se reemplazará si no es posible repararlo.

Para conocer los detalles de la cobertura de garantía para la reparación o reemplazo gratuitos, visite el sitio web: www.craftsman.com

Esta garantía cubre SOLAMENTE defectos de materiales o mano de obra. La cobertura de garantía NO incluye:

- Artículos consumibles que se desgasten debido al uso normal dentro del período de la garantía, tales como cuchillas, dientes, o correas.
- Los daños al producto a consecuencia de intentos de modificación o reparación del usuario u ocasionados por accesorios del producto.
- Las reparaciones necesarias por un accidente o por no operar o mantener el producto de acuerdo con todas las instrucciones suministradas.
- El mantenimiento preventivo ni las reparaciones necesarias debido a una mezcla incorrecta de combustible o a al uso de un combustible viejo o contaminado.

Esta garantía se anula si el producto en algún momento se utiliza para prestar servicios comerciales o se alquila a otra persona.

Esta garantía le confiere a usted derechos legales específicos y usted puede tener, además, otros derechos que difieren de un estado a otro.

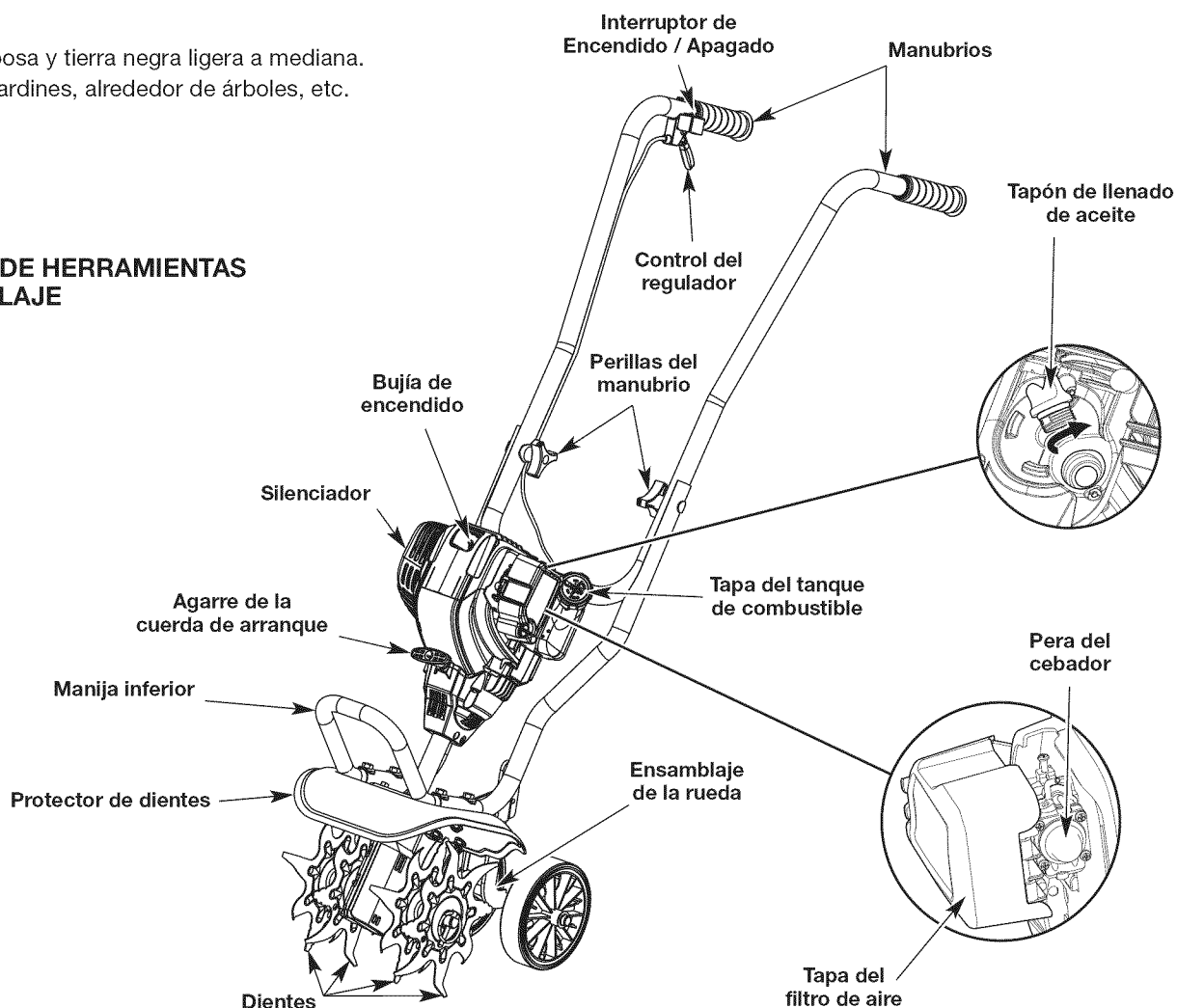
Sears Brands Management Corporation, Hoffman Estates, IL 60179

CONOZCA SU UNIDAD

USOS

- Cultivar tierra herbosa y tierra negra ligera a mediana.
- Cultivar áreas de jardines, alrededor de árboles, etc.

NO SE REQUIERE DE HERRAMIENTAS PARA EL ENSAMBLAJE



ESPECIFICACIONES*

Tipo de motor	Enfriado por aire, de 4 tiempos
Cilindrada	29 cc (1.8 pulg. cúbicas)
RPM de marcha en vacío	2,800 - 3,600 rpm
RPM de operación	+6,800 rpm
Holgura de las válvulas	0.003 - 0,006 pulgadas (0.076 - 0.152 mm)
Abertura de la bujía	0.025 pulgadas (0.635 mm)
Bujía de encendido	Bujía Champion® RDZ4H o equivalente
Lubricación	Aceite SAE 30
Capacidad de aceite del cárter	3.04 onzas (90 ml)
Capacidad del tanque de combustible	14 onzas (414 ml)
Peso aproximado de la unidad (sin combustible)	25 libras (11.5 kg)
Ancho de la trayectoria de cultivo (Máximo)	22.86 cm (9 pulgadas)
Profundidad de cultivo (Máximo)	15.24 cm (6 pulgadas)

* Todas las especificaciones se basan en la información del producto más reciente disponible en el momento de la impresión. Nos reservamos el derecho de hacer cambios en cualquier momento, sin previo aviso.

ENSAMBLE DE LA UNIDAD

Desembale con cuidado el contenido y verifique que no haya piezas dañadas.

INSTALACIÓN Y AJUSTE DEL ENSAMBLAJE DE LA RUEDA

ADVERTENCIA: Para evitar lesiones personales graves, el ensamblaje de la rueda debe ser instalado antes de poner en funcionamiento la unidad.

ADVERTENCIA: Cuando instale el ensamblaje de la rueda y para evitar lesionarse con los dientes, use guantes resistentes y camisa de mangas largas.

Instalar el ensamblaje de la rueda

1. Apoye la unidad sobre un costado (Fig. 1).
2. Inserte el ensamblaje de la rueda dentro de la guía de la rueda. La sección curvada en forma de J debe mirar en sentido contrario a la unidad (Fig. 1).
3. Alinee el orificio de la rueda con el orificio correspondiente del ensamblaje de la rueda.
4. Coloque el pasador de horquilla a través de los orificios alineados (Fig. 1).
5. Inserte el pasador de chaveta a través del orificio en el pasador de horquilla (Fig. 1).

NOTA: Antes de utilizar la unidad, puede que sea necesario ajustar la posición del ensamblaje de la rueda.

Ajustar el ensamblaje de la rueda

1. Apoye la unidad sobre un costado (Fig. 1).
2. Quite el pasador de chaveta del pasador de horquilla (Fig. 1).
3. Quite el pasador de horquilla del ensamblaje de la rueda y de la guía de la rueda (Fig. 1).
4. Alinee el orificio de la guía de la rueda con el orificio correspondiente del ensamblaje de la rueda.
5. Coloque el pasador de horquilla a través de los orificios alineados (Fig. 1).
6. Inserte el pasador de chaveta a través del orificio en el pasador de horquilla (Fig. 1).

NOTA: Si baja el ensamblaje de la rueda aumentará su altura. Si sube el ensamblaje de la rueda disminuirá su altura.

INSTALACIÓN DE LOS MANUBRIOS

Siga las siguientes instrucciones para instalar ambos manubrios:

1. Alinee el agujero en el manubrio con el agujero en la manija inferior (Fig. 2).

NOTA: Tenga cuidado de no pellizcar el cable del regulador o confundir los cables al situar los manubrios (Fig. 3).

2. Coloque el perno a través de los orificios alineados (Fig. 2).
3. Coloque la arandela en el perno (Fig. 2).
4. Coloque una perilla de manubrio en el perno (Fig. 2).
5. Apriete la perilla del manubrio para fijarlo en su lugar (Fig. 3).

NOTA: No ajuste las perillas demasiado.

4. Vuelva a ajustar el cable del regulador y los cables del interruptor de modo que queden parejos y estirados contra el ensamble del manubrio. Esto evitará que se aprisionen o se desbarben durante la operación normal.

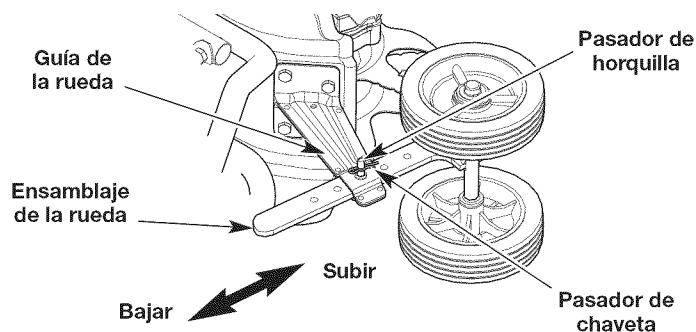


Fig. 1

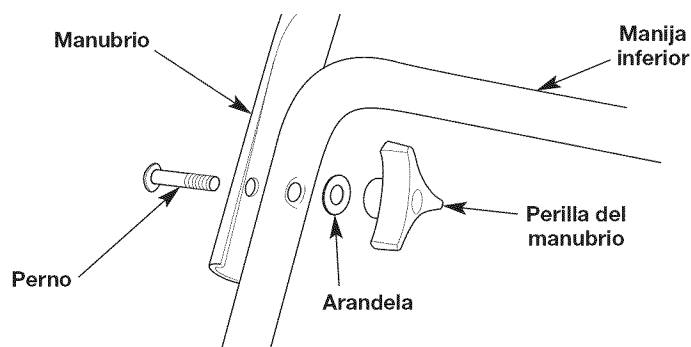


Fig. 2

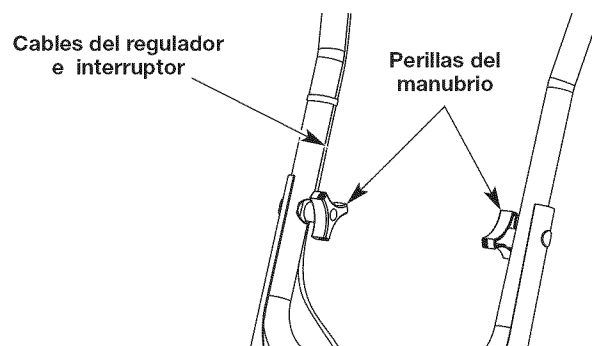



Fig. 3

USAR EL ACEITE CORRECTO

Use un aceite de alta calidad SAE 30 de API (American Petroleum Institute) de la categoría de servicio SJ. **NO** use aceite sucio. Si no usa aceite limpio del tipo correcto, puede ocasionar desgaste y fallas prematuras del motor.

AÑADIR ACEITE: USO INICIAL

	<p>ADVERTENCIA: LLENAR DEMASIADO EL CÁRTER PUEDE CAUSAR LESIONES PERSONALES GRAVES. Compruebe el nivel de aceite antes de cada uso. No se puede subestimar la importancia de mantener el nivel adecuado de aceite. Cambie el aceite según el <i>Plan de Mantenimiento</i>.</p>
--	---

NOTA: Esta unidad se envió sin aceite en el cárter. Se debe añadir aceite antes de arrancar la unidad.

NOTA: Esta unidad incluye una botella de aceite de 3.04 onzas fluidas (90 ml).

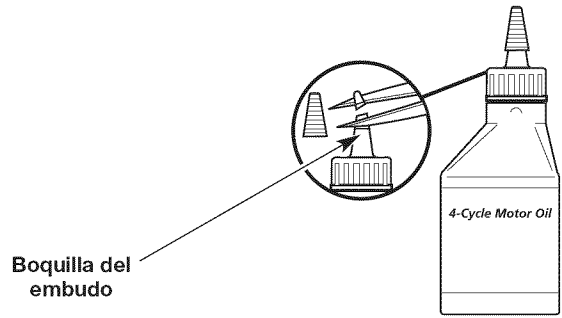
1. Desenrosque la tapa de la botella de aceite. Quite el sello de papel. Reinstale el tope de la botella de aceite.
2. Quite la tapa de la botella de aceite. Corte la punta de la boquilla del embudo (Fig. 4).
3. **Coloque la unidad en una superficie plana.**
4. Desenrosque el tapón de llenado de aceite (Fig. 5).
5. Vierta el contenido de la botella completa en el orificio de llenado de aceite (Fig. 5). **NO** rebose el tanque. Consulte la sección *Cómo comprobar el nivel de aceite*.

NOTA: Nunca añada el aceite directamente al tanque de combustible. Esta unidad tiene un motor de cuatro tiempos. **NO** mezcle aceite con gasolina.

6. Limpie todo el aceite que pueda haberse derramado.
7. Reinstale el tapón de llenado de aceite.

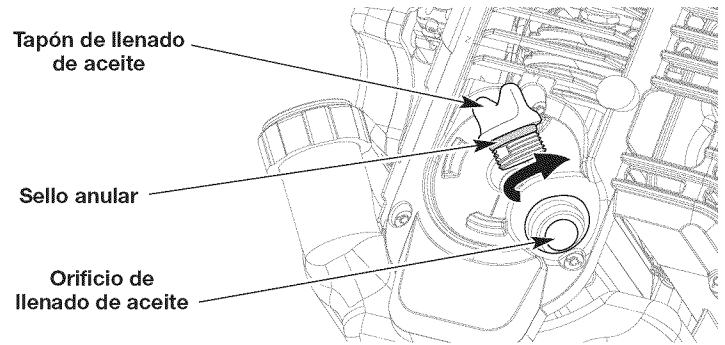
NOTA: Asegúrese de que el sello anular esté colocado en el tapón de llenado de aceite (Fig. 5).

NOTA: Guarde la botella de aceite vacía. Use la botella para medir la cantidad correcta de aceite durante futuros cambios de aceite.



Boquilla del embudo

Fig. 4



Tapón de llenado de aceite

Sello anular

Orificio de llenado de aceite

Fig. 5

USAR EL COMBUSTIBLE CORRECTO

El uso de un combustible viejo es la causa más común de problemas de funcionamiento. Utilice solamente gasolina fresca, limpia y sin plomo.

Definición de combustibles mezclados

Los combustibles actuales son con frecuencia una mezcla de gasolina e hidrocarburos oxigenados como el etanol, metanol o MTBE (éter). El combustible mezclado con alcohol absorbe agua. Un 1% de agua es suficiente para separar la mezcla de aceite y alcohol o formar ácidos al estar guardado. Utilice SIEMPRE combustible fresco (con menos de 30 días).

NOTA: Deseche el aceite viejo, de conformidad con las regulaciones federales, estatales y locales.

Uso de combustibles mezclados

Si utiliza un combustible mezclado:

- Use siempre gasolina sin plomo fresca
- Use el aditivo STA-BIL® o un equivalente
- Vacíe el tanque y eche a andar el motor en seco antes de guardar la unidad



ADVERTENCIA: NO USE COMBUSTIBLE E85 EN ESTA UNIDAD. Se ha comprobado que es probable que el combustible con más de 10% de etanol dañe este motor, lo que anulará la garantía.

Uso de aditivos para combustible

Use un aditivo, como el estabilizador de gasolina STA-BIL o un equivalente, para evitar la corrosión y minimizar los depósitos de goma. Eche 0.8 onzas (23 ml) de aditivo por galón de combustible según las instrucciones del recipiente. No eche NUNCA los aditivos directamente en el tanque de combustible de la unidad.

ABASTECER DE COMBUSTIBLE LA UNIDAD



ADVERTENCIA: La gasolina es sumamente inflamable. De prenderse, los vapores pueden hacer explosión. Pare siempre el motor y deje que se enfríe antes de llenar el tanque de combustible. No fume mientras llena el tanque. Aléjese de los lugares donde haya chispas y llamas expuestas.



ADVERTENCIA: Quite lentamente la tapa de combustible a fin de evitar lesiones por salpicaduras. No opere nunca la unidad si la tapa del combustible no está bien asegurada en su lugar.



ADVERTENCIA: Eche el combustible en un área exterior bien ventilada y limpia. Limpie de inmediato todo el combustible derramado. Evite el peligro de incendio debido a combustible derramado. No arranque el motor hasta que no se hayan disipado los vapores de combustible.

1. Coloque la unidad con la tapa del tanque de combustible mirando hacia arriba.
2. Quítele la tapa al tanque.
3. Coloque la boquilla del depósito de gasolina en el orificio de llenado del tanque de combustible y llénelo.

NOTA: No rebose el tanque.

4. Limpie todo el combustible que pueda haberse derramado.
5. Vuelva a ponerle la tapa al tanque de gasolina.
6. Antes de arrancar el motor, aleje la unidad a una distancia de 30 pies (9.1 m) como mínimo del lugar de abasto de combustible.

ARRANQUE Y PARADA



ADVERTENCIA: Opere esta unidad solamente en un área exterior bien ventilada. El monóxido de carbono de los gases de escape puede ser letal en un área confinada.



ADVERTENCIA: Evite arrancar la unidad por accidente. A fin de evitar lesiones graves, el operador y la unidad deben estar en una posición estable al tirar de la cuerda de arranque (Fig. 8).

INSTRUCCIONES DE ARRANQUE

1. Verifique el nivel de aceite. Consulte la sección *Cómo comprobar el nivel de aceite*.
2. Llene el tanque de combustible. Consulte *Abastecer de combustible la unidad*.

NOTA: No hay necesidad de encender la unidad. El interruptor de Encendido/Apagado debe estar en la posición ENCENDIDO (I) en todo momento (Fig. 6).

SI HAY FRÍO... En tiempo de frío (por debajo de 40°F), mueva hacia abajo la palanca de arranque roja para clima frío (Fig. 7) a fin de ponerla en la posición cerrada, y continúe con el paso 3. **NO** mueva esta palanca si la temperatura está por encima de 40°F.

3. Oprima y suelte despacio la pera del cebador **10 veces** (Fig. 7). Si no se ve combustible en la pera del cebador, oprima y suelte la pera hasta que se vea el combustible.
4. Párese en la posición de arranque (Fig. 8). Sostenga el manubrio firmemente con una mano. **NO oprima el control del regulador.** Sostenga la cuerda de arranque con la otra mano. Use el pie para aguantar las ruedas.

NOTA: Tenga siempre la unidad ligeramente inclinada para que los dientes estén separados del suelo al arrancarla (Fig. 8).

5. **NO** oprima el control del regulador. Tire de la cuerda de arranque unas **5 veces** con movimiento regulado y firme para arrancar el motor.

NOTA: Esta unidad utiliza el sistema de arranque **INCREDI-PULL™**, que reduce notablemente el esfuerzo necesario para arrancar el motor.

6. **NO** oprima el control del regulador. Deje que el motor se caliente de 60 segundos.

SI HAY FRÍO... En tiempo de frío (por debajo de 40°F), después de que la unidad arranque, mueva de nuevo la palanca de arranque roja para clima frío a la posición abierta (Fig. 7).

7. Oprima el control del regulador para calentar el motor durante 30 a 60 segundos adicionales. La unidad se puede usar en este momento.

NOTA: Cuando el motor acelera sin fallar, la unidad ya se calentó como es debido.

SI... el motor no arranca, comience el procedimiento de arranque con el paso 3.

SI... el motor no arranca al oprimir el control del regulador, comience el procedimiento de arranque con el paso 4.

SI EL MOTOR ESTA CALIENTE... Comience el procedimiento de arranque con el paso 3.

INSTRUCCIONES DE APAGADO

1. Suelte el control del regulador y deje que el motor trabaje en vacío.
2. Oprima y no suelte el interruptor de control de Encendido y Apagado en la posición APAGADO (O) hasta que el motor se detenga por completo (Fig. 6).

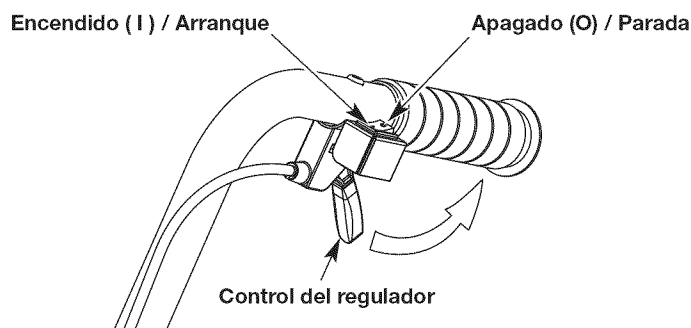


Fig. 6

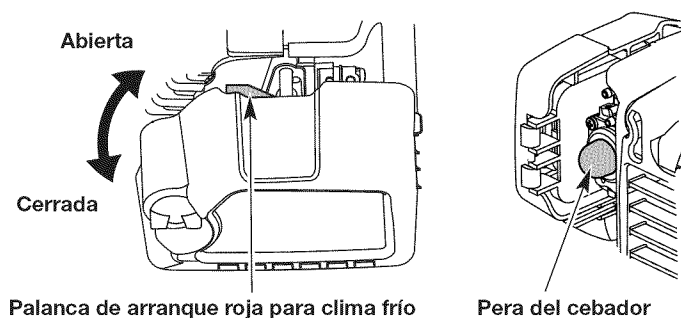


Fig. 7



Fig. 8

NOTA: En esta unidad se puede usar un accesorio Speed Start™.

Para utilizar correctamente este dispositivo, consulte el manual del operador del accesorio Speed Start™. (¡Los accesorios se venden por separado! Para informarse más sobre los accesorios Speed Start™, vaya a la sección *Accesorio Speed Start™* de este manual.)

INSTRUCCIONES DE ARRANQUE

1. Verifique el nivel de aceite. Consulte la sección *Cómo comprobar el nivel de aceite*.
2. Llene el tanque de combustible. Consulte *Abastecer de combustible la unidad*.

NOTA: No hay necesidad de encender la unidad. El interruptor de Encendido/Apagado debe estar en la posición ENCENDIDO (I) en todo momento (Fig. 6).

SI HAY FRÍO... En tiempo de frío (por debajo de 40°F), mueva hacia abajo la palanca de arranque roja para clima frío (Fig. 7) a fin de ponerla en la posición cerrada, y continúe con el paso 3. **NO** mueva esta palanca si la temperatura está por encima de 40°F.

3. Oprima y suelte despacio la pera del cebador **10 veces** (Fig. 7). Si no se ve combustible en la pera del cebador, oprima y suelte la pera hasta que se vea el combustible.
4. Párese en la posición de arranque (Fig. 8). Sostenga el manubrio firmemente con una mano. **NO oprima el control del regulador.** Use el pie para aguantar las ruedas.

NOTA: Tenga siempre la unidad ligeramente inclinada para que los dientes estén separados del suelo al arrancarla (Fig. 8).

5. Coloque el accesorio Speed Start™ en el puerto Speed Start™ (Fig. 23). Consulte la sección *Operación* del manual del operador del accesorio Speed Start™.
6. **NO** oprima el control del regulador. Eche a andar el accesorio Speed Start™ por intervalos no mayores de 2 segundos cada vez hasta que la unidad arranque.
7. Saque el accesorio Speed Start™ de la unidad.
8. **NO** oprima el control del regulador. Deje que el motor se caliente de 60 segundos.

SI HAY FRÍO... En tiempo de frío (por debajo de 40°F), después de que la unidad arranque, mueva de nuevo la palanca de arranque roja para clima frío a la posición abierta (Fig. 7).

7. Oprima el control del regulador para calentar el motor durante 30 a 60 segundos adicionales. La unidad se puede usar en este momento.

NOTA: Cuando el motor acelera sin fallar, la unidad ya se calentó como es debido.

SI... el motor no arranca, comience el procedimiento de arranque con el paso 3.

SI... el motor no arranca al oprimir el control del regulador, comience el procedimiento de arranque con el paso 4.

SI EL MOTOR ESTA CALIENTE... Comience el procedimiento de arranque con el paso 3.

INSTRUCCIONES DE APAGADO

1. Suelte el control del regulador y deje que el motor trabaje en vacío.
2. Oprima y no suelte el interruptor de control de Encendido y Apagado en la posición APAGADO (O) hasta que el motor se detenga por completo (Fig. 6).



ADVERTENCIA: Al operar esta unidad, lleve siempre puesta protección para los ojos, oídos, pies y cuerpo a fin de reducir el riesgo de lesiones.

CONSEJOS PARA LA OPERACION

1. Transporte el cultivador hacia el área de trabajo antes de arrancar el motor. Consulte *Mover la unidad*.



ADVERTENCIA: Para evitar graves lesiones personales, nunca levante ni transporte la unidad con el motor en marcha.

2. Arranque la unidad siguiendo las *Instrucciones de arranque*.
3. Sin apoyar los dientes en el suelo, apriete el control del regulador para aumentar la velocidad del motor.
4. Sujete firmemente los manubrios con ambas manos y baje lentamente la unidad hasta que los dientes se pongan en contacto con el suelo (Fig. 9).
5. A medida que comienza la actividad de cultivo, mueva el cultivador hacia atrás de modo que las púas puedan penetrar en la tierra.



ADVERTENCIA: Para evitar graves lesiones personales, tenga mucho cuidado cuando invierta o gire la unidad hacia usted.

6. Una vez que se ha abierto la tierra, continúe a un ritmo moderado hasta que conozca bien los controles y el manejo del cultivador.
7. Mueva el cultivador hacia atrás para mejorar la profundidad de cultivo y reducir su esfuerzo.
8. Si las púas están cavando a una profundidad excesiva o insuficiente, ajuste las púas de acuerdo a la sección *Ajuste de la profundidad de las púas*.

AJUSTE DE LA PROFUNDIDAD

Los dientes deberían entrar de 4 a 6 pulgadas en la mayoría de los suelos de jardín. De ser necesario, ajuste los dientes como sigue:

1. Apague el motor y espere que se enfríe. Tome el alambre de la bujía con firmeza y sáquelo de la bujía de encendido.
2. Para que los dientes entren a menos profundidad, suba la altura de la rueda, de lo contrario, baje la altura de la rueda. Remítase a *Ajustar el ensamblaje de la rueda* en la sección *Instrucciones de ensamblaje*.
3. Vuelva a conectar el cable de la bujía de encendido y continúe su uso.

MOVER LA UNIDAD



ADVERTENCIA: Para evitar lesiones personales graves, apague siempre el motor cuando la operación se demore o al mover la unidad de un lugar a otro.

1. Apague el motor.
2. Incline la unidad hacia atrás hasta que las púas desmalezan la tierra.
3. Empuje o lleve la unidad hasta el próximo lugar que deba cultivar.



Fig. 9



ADVERTENCIA: Para evitar lesiones graves, no haga nunca ningún mantenimiento ni reparación con la unidad funcionando. Siempre deje que la unidad se enfríe antes de darle mantenimiento o repararla. Desconecte el cable de la bujía para evitar que la unidad arranque por accidente.

PLAN DE MANTENIMIENTO

Lleve a cabo los procedimientos necesarios de mantenimiento con la frecuencia indicada en la tabla. Estos procedimientos deberán también formar parte de cualquier ajuste de temporada.

NOTA: Es posible que algunos procedimientos de mantenimiento requieran herramientas o habilidades especiales. Si no está seguro de poder llevar a cabo estos procedimientos, lleve la unidad a Sears u otro distribuidor de servicio calificado. Para más información, llame al **1-800-4-MY-HOME**.

NOTA: Es conveniente que el mantenimiento, reemplazo o reparación de los dispositivos y sistemas de control de emisiones se lleven a cabo en Sears u otro distribuidor de servicio calificado. Para más información, llame al **1-800-4-MY-HOME**.

NOTA: Para ver la lista completa de términos y la cobertura de los dispositivos de control de emisiones como parachispas, silenciador, carburador, etc., lea la declaración de California/EPA que viene junto con la unidad.

FRECUENCIA	MANTENIMIENTO NECESARIO
Cada 10 horas	<ul style="list-style-type: none"> Limpiar y volver a engrasar el filtro de aire. Consulte <i>Mantenimiento del filtro de aire</i>.
Después de las primeras 10 horas y cada 40 horas	<ul style="list-style-type: none"> Cambie el aceite. Consulte la sección <i>Cómo cambiar el aceite</i>. Compruebe la holgura del balancín. Consulte la sección <i>Cómo comprobar la holgura del balancín</i>. Comprobar el estado y abertura de la bujía. Consulte <i>Mantenimiento de la bujía</i>.

REMOCION Y REPOSICION DE LAS PUAS



ADVERTENCIA: Para evitar graves lesiones personales, use siempre guantes gruesos cuando maneje las púas.

Las 4 púas deben cambiarse al mismo tiempo debido a que se desgastarán en forma pareja con el uso normal. Trabaje en un lado por vez.

1. Apague el motor y espere que se enfríe. Tome el alambre de la bujía con firmeza y sáquelo de la bujía de encendido.
2. Coloque la parte posterior de la cultivadora sobre una superficie plana con las manijas tocando el suelo de manera que la cultivadora quede en posición horizontal.

NOTA: Para poder sacar los dientes más fácilmente, es posible que sea necesario lavar los dientes y el eje para quitar la suciedad.

3. Quite los pasadores de trinquete de cada uno de los extremos del eje de los dientes (Fig. 10). Saque los dientes deslizándolos del eje.
4. Limpie y engrase el eje.
5. Coloque los dientes nuevos deslizándolos en su lugar con los núcleos mirando uno hacia el otro (Fig. 10).

NOTA: Cada uno de los dientes tiene un lado convexo. Asegúrese de que todos los lados convexos queden mirando como se muestra en la Figura 10.

6. Asegure los dientes nuevos al eje con los pasadores de trinquete (Fig. 10).
7. Vuelva a conectar el cable de la bujía de encendido.

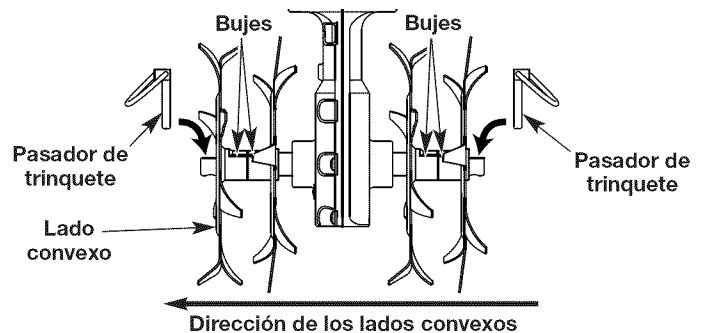


Fig. 10

CÓMO COMPROBAR EL NIVEL DE ACEITE



ADVERTENCIA: LLENAR DEMASIADO EL CÁRTER PUEDE CAUSAR LESIONES PERSONALES GRAVES. Compruebe el nivel de aceite antes de cada uso. No se puede subestimar la importancia de mantener el nivel adecuado de aceite.

1. Detenga el motor y déjelo enfriar.
2. **Coloque la unidad sobre una superficie plana** con las manijas tocando el suelo de manera que el motor quede nivelado (Fig. 11).

NOTA: No mantener el motor nivelado puede causar que el aceite se derrame.

3. Limpie el área alrededor del tapón de llenado de aceite (Fig. 5) para evitar que entren desechos al orificio de llenado de aceite.
4. Desenrosque el tapón de llenado de aceite.
5. Inspeccione el orificio de llenado de aceite, use una linterna si es necesario. **El nivel de aceite debe tocar justamente la rosca inferior del tapón de llenado de aceite** (Fig. 12). Si el nivel de aceite está muy bajo, añada aceite al orificio de llenado hasta que el aceite toque la rosca inferior del orificio.

NOTA: **NO** rebose el carter.

6. Limpie todo el aceite que pueda haberse derramado.
7. Reinstale el tapón de llenado de aceite.

NOTA: Asegúrese de que el sello anular esté colocado en el tapón de llenado de aceite (Fig. 5).

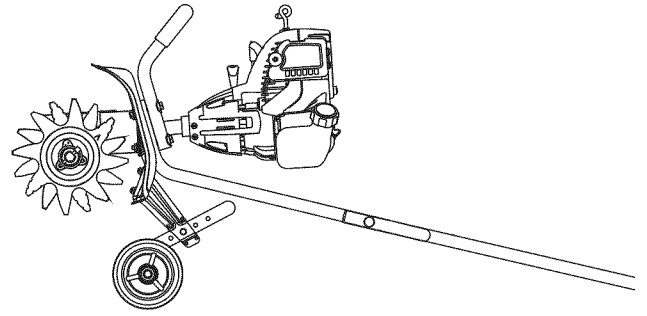


Fig. 11

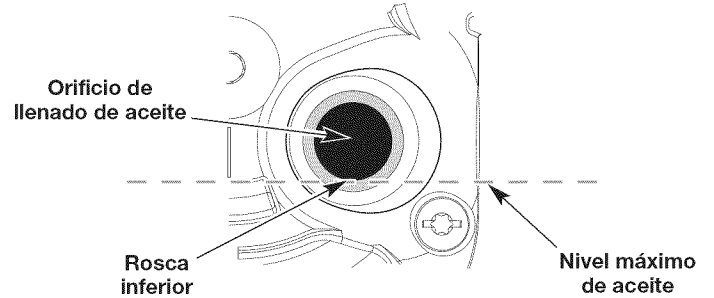


Fig. 12

CÓMO CAMBIAR EL ACEITE

Cambie el aceite con el motor todavía caliente. El aceite fluirá libremente y arrastrará más impurezas.

1. Limpie el área alrededor del tapón de llenado de aceite (Fig. 5) para evitar que entren desechos al orificio de llenado de aceite.
2. Desenrosque el tapón de llenado de aceite.
3. Incline la unidad verticalmente para verter el aceite del orificio de llenado en un recipiente (Fig. 13). Dele suficiente tiempo para que drene completamente.

NOTA: Deseche el aceite viejo, de conformidad con las regulaciones federales, estatales y locales.

4. Limpie todo el aceite que pueda haberse derramado.
5. Vierta 3.04 onzas fluidas (90 ml) de aceite SAE 30 SJ en el orificio de llenado de aceite.

NOTA: **NO** rebose el tanque. Consulte la sección Cómo comprobar el nivel de aceite.

NOTA: Use la botella vacía que guardó del uso inicial para medir la cantidad correcta de aceite. Llene la botella hasta la parte superior de la etiqueta, aproximadamente hasta 3.04 onzas fluidas (90 ml) de aceite (Fig. 14).

6. Limpie todo el aceite que pueda haberse derramado.
7. Reinstale el tapón de llenado de aceite.

NOTA: Asegúrese de que el sello anular esté colocado en el tapón de llenado de aceite (Fig. 5).

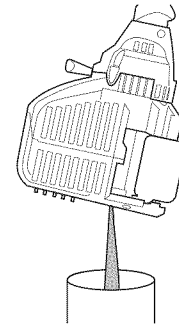


Fig. 13

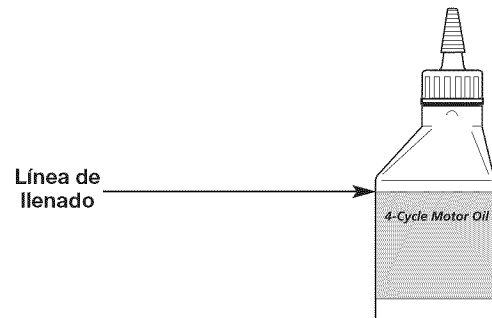


Fig. 14

MANTENIMIENTO DEL FILTRO DE AIRE



ADVERTENCIA: Para evitar lesiones personales graves, apague siempre el motor y deje que se enfríe antes de limpiar o dar mantenimiento a la unidad.

No dar mantenimiento al filtro de aire correctamente puede hacer que el motor funcione mal o dañarlo para siempre. La falla del motor debida al mantenimiento inadecuado del filtro no está cubierta por la garantía del producto.

Limpiar el filtro de aire

1. Abra la tapa del filtro de aire desenroscando el tornillo correspondiente (Fig. 15).
2. Quite el filtro de aire y la pantalla que está detrás del mismo (Fig. 15).
3. Lave el filtro de aire con agua y detergente. Enjuague bien el filtro y déjelo secar.
4. Recúbralo con una ligera capa de aceite SAE 30 limpio.
5. Exprima el filtro para esparcir y eliminar el exceso de aceite.
6. Reinstale el filtro de aire y la pantalla que está detrás del mismo (Fig. 15).

NOTA: Operar la unidad sin el filtro de aire, ANULARÁ la garantía.

7. Inserte los ganchos de la cubierta del filtro de aire en las ranuras de la tapa del filtro (Fig. 16).
8. Gire la cubierta del filtro de aire hacia la izquierda y alinee el tornillo de la cubierta con el orificio correspondiente (Fig. 16). Apriete el tornillo para asegurar la tapa del filtro de aire.

NOTA: No apriete demasiado ya que se puede dañar la rosca del tornillo.

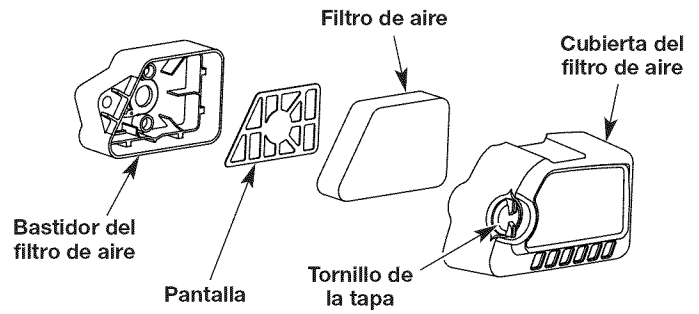


Fig. 15

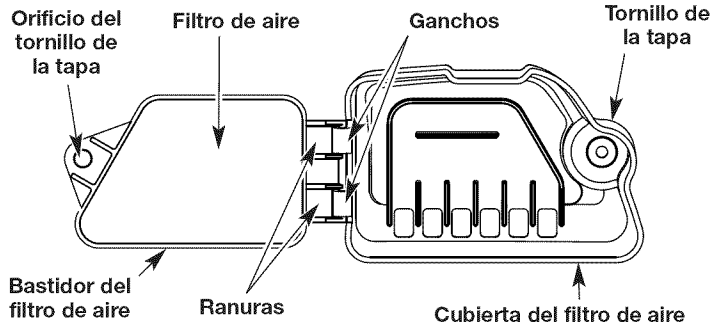


Fig. 16

AJUSTAR LA VELOCIDAD DE MARCHA EN VACÍO



ADVERTENCIA: El cabezal de corte puede girar durante los ajustes de marcha en vacío. Use ropa de protección y observe todas las instrucciones de seguridad para evitar lesiones personales graves.

NOTA: Los ajustes negligentes pueden dañar seriamente la unidad.

Los ajustes del carburador debe hacerlos un distribuidor de Sears u otro distribuidor de servicio calificado.

Si después de comprobar el combustible y limpiar el filtro de aire, el motor aún no trabaja en vacío, ajuste el tornillo de marcha en vacío de la siguiente manera:

1. Arranque el motor. Consulte la sección *Arranque y Parada*.
2. Suelte el control del regulador y deje que el motor trabaje en vacío. Si el motor se apaga, use un destornillador pequeño Phillips para girar el tornillo de marcha en vacío en el sentido de las agujas del reloj, dándole 1/8 de vuelta cada vez (según sea necesario), hasta que el motor funcione en marcha en vacío sin inconvenientes (Fig. 17).
3. Si el motor entra en marcha en vacío muy rápidamente, gire el tornillo de marcha en vacío en sentido contrario a las agujas del reloj 1/8 de vuelta cada vez (según sea necesario) para reducir la marcha en vacío (Fig. 17).

Comprobar el combustible, limpiar el filtro de aire y ajustar la marcha en vacío, deberían resolver la mayoría de los problemas del motor. En caso contrario y de no cumplirse ninguna de las siguientes condiciones, lleve la unidad a Sears o a otro distribuidor de servicio calificado:

- el motor no funciona en marcha en vacío
- el motor falla o se cala al acelerar
- hay una pérdida de potencia del motor

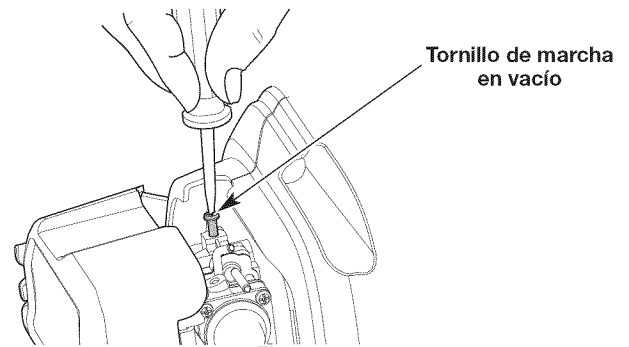


Fig. 17

CÓMO COMPROBAR LA HOLGURA DEL BALANCÍN

Para hacer este ajuste es necesario desarmar el motor. Si usted no está seguro o no se considera calificado para realizar esto, lleve la unidad a Sears o a otro centro de servicio calificado.

El motor tiene que estar frío cuando verifique o ajuste la holgura del balancín. Esta tarea debe realizarse en interiores, en un área limpia y libre de polvo.

1. Quite los 6 tornillos de la tapa del motor con un destornillador plano o un destornillador Torx T-25 (Fig. 18). Quite la cubierta del motor.
2. Desconecte el cable de la bujía.
3. Limpie el área alrededor de la bujía.
4. Saque la bujía del cilindro girándola en sentido contrario a las agujas del reloj con una llave de bujía de 5/8.
5. Limpie la tapa del balancín.
6. Quite el tornillo de la tapa del balancín con un destornillador plano o un destornillador Torx T-25 (Fig. 19). Quite la tapa del balancín y la junta.(Fig. 20).
7. Inspeccione el orificio de la bujía (Fig. 19) y hala la cuerda de arranque lentamente para mover el pistón. Asegúrese de que:
 - El pistón esté en la posición de máximo recorrido (punto muerto superior)
 - Ambos balancines se mueven libremente y ambas válvulas están cerradasDe no ser así, repita este paso.
8. Use un calibrador de hoja para medir la holgura entre uno de los vástagos de las válvulas y su balancín correspondiente (Fig. 21). Repite este proceso para el otro vástago de la válvula y el balancín. La holgura recomendada es de **0.003 pulgadas a 0.006 pulgadas (de 0.076 mm a 0.152 mm)**. Use un calibrador de hoja automotriz estándar de **0.005 pulgadas (0.127 mm)**. El calibrador de hoja debe deslizarse entre el balancín y el vástago de la válvula con una ligera resistencia, sin doblarse (Fig. 21).
9. Si la holgura no está entre las recomendaciones:
 - a. Gire la tuerca de ajuste utilizando una llave de 5/16 de pulgada (8 mm) o un impulsor de tuercas (Fig. 21).
 - Para aumentar la holgura, gire la tuerca de ajuste en sentido contrario a las agujas del reloj.
 - Para disminuir la holgura, gire la tuerca de ajuste en el sentido de las agujas del reloj.
 - b. Vuelva a comprobar y ajustar ambas holguras, según sea necesario.
10. Instale una junta nueva y reinstale la tapa del balancín. Apriete el tornillo a: **20–30 pulgada•libra (2.2–3.4 N•m)**.
11. Compruebe la bujía y vuelva a instalarla. Consulte el tema *Mantenimiento de la bujía*.
12. Vuelva a conectar el cable de la bujía.
13. Vuelva a instalar la cubierta del motor. Antes de apretar los tornillos, revise la alineación de la cubierta del motor. Apriete los tornillos.

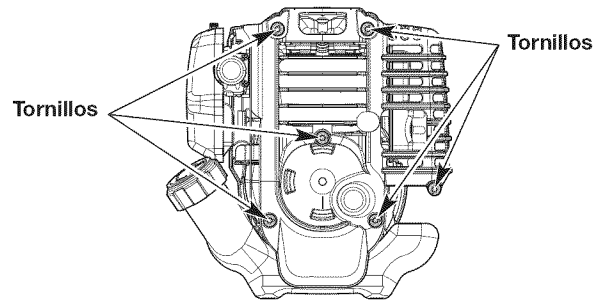


Fig. 18

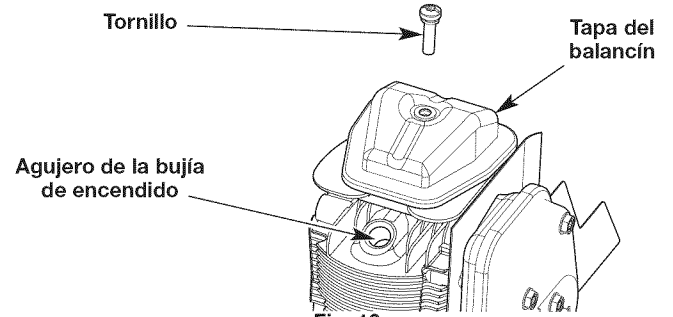


Fig. 19

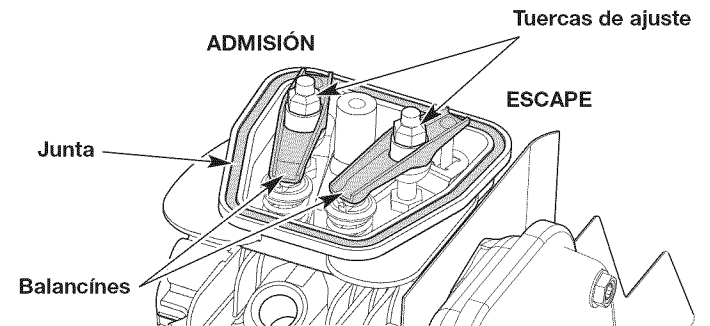


Fig. 20

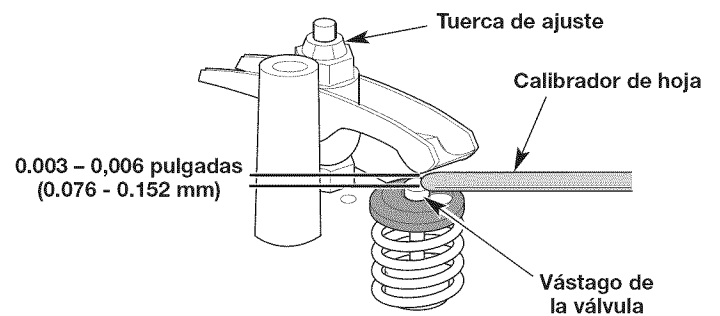



Fig. 21

MANTENIMIENTO DE LA BUJÍA

1. Detenga el motor y déjelo enfriar.
2. Quite los 6 tornillos de la tapa del motor con un destornillador plano o un destornillador Torx T-25 (Fig. 18). Quite la cubierta del motor.
3. Agarre firmemente la pipa (capucha) y sáquela de la bujía.
4. Limpie alrededor de la bujía. Saque la bujía de la culata girándola en sentido contrario a la agujas del reloj con una llave de bujía de 5/8 de pulgada.

 **ADVERTENCIA:** No sople, raspe ni limpie los electrodos con arena. La arenisca en el motor podría dañar el cilindro.

5. Inspeccione la bujía. Si la bujía de encendido está rajada, corroída o sucia, reemplácela con una pieza de repuesto **#753-05784, Champion RDZ4H** o una bujía equivalente.
 6. Use un calibrador de hoja para ajustar abertura de la bujía a **0.025 pulgadas (0.635 mm)** (Fig. 22).
 7. Instale la bujía en la culata del motor. Apriete la bujía en el sentido de las agujas del reloj con una llave de bujía de 5/8 hasta ajustarla.
- NOTA:** Si usa una llave dinamométrica, use un par de torsión de: **110-120 pulgada•libra (12.3-13.5 N•m). No apriete demasiado.**
8. Vuelva a ponerle la pipa (capucha).
 9. Vuelva a instalar la cubierta del motor. Antes de apretar los tornillos, revise la alineación de la cubierta del motor. Apriete los tornillos.

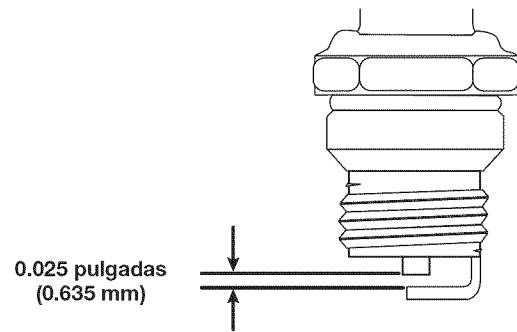


Fig. 22

LIMPIEZA



ADVERTENCIA: Para evitar lesiones personales graves, apague siempre el motor y deje que se enfríe antes de limpiar o dar mantenimiento a la unidad.

Use un cepillo pequeño para limpiar la unidad por fuera. No utilice detergentes fuertes. Los limpiadores caseros que contienen aceites esenciales, por ejemplo, de pino y limón, y los solventes como el queroseno, pueden dañar el plástico. Seque la humedad con un paño suave.

ALMACENAMIENTO

- No guarde nunca la unidad con combustible en el tanque en un lugar en el que los gases puedan ponerse en contacto con una llama expuesta o chispas.
- Espere a que el motor se enfríe para guardar la unidad.
- Guarde la unidad bajo llave para evitar su uso no autorizado o daño.
- Guarde la unidad en un lugar seco y bien ventilado.
- Guarde la unidad fuera del alcance de los niños.

Almacenamiento a largo plazo

1. Quítele la tapa al tanque de combustible, incline la unidad y vacíe el combustible en un contenedor aprobado.
2. Arranque el motor y déjelo funcionar hasta que se cale. Con esto se asegura vaciar todo el combustible del carburador.
3. Espere a que el motor se enfríe. Quítele la bujía y eche 5 gotas de cualquier aceite de motor de alta calidad en el cilindro. Tire despacio de la cuerda de arranque para distribuir el aceite. Vuelva a poner la bujía.
4. Limpie bien la unidad y compruebe que no haya piezas sueltas o dañadas. Repare o reemplace las piezas dañadas y apriete los tornillos, tuercas o pernos flojos.

Preparar la unidad para usarla después de un almacenamiento prolongado

1. Saque la bujía y vacíe todo el aceite que está en el cilindro.
2. Cambie el aceite. Consulte la sección *Cómo cambiar el aceite*.

NOTA: No use un combustible que haya estado almacenado por más de 30 días. Deseche el aceite y el combustible viejos de conformidad con las regulaciones federales, estatales y locales.

ACCESORIO SPEED START™

Esta unidad se puede arrancar con un accesorio opcional Speed Start™ (los accesorios se venden por separado). Para más información, comuníquese con su distribuidor local Craftsman llamando al **1-800-4-MY-HOME®** o visite **www.craftsman.com**.

Número del artículo	Descripción
316.85951	Arrancador de potencia eléctrico
316.85952	Arrancador de potencia para taladro
316.85953	Arrancador Eléctrico Inalámbrico

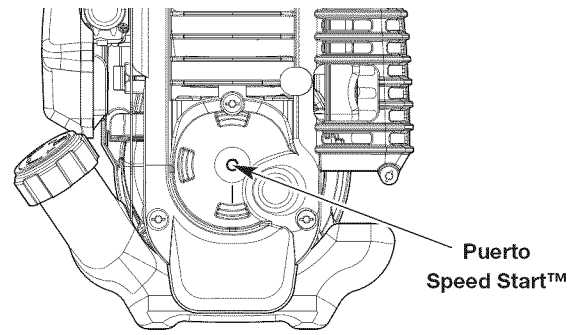


Fig. 23

LOCALIZACIÓN Y SOLUCIÓN DE PROBLEMAS

PROBLEMA	SOLUCIÓN
EL MOTOR NO ARRANCA	
El tanque de combustible está vacío	Llene el tanque de combustible con combustible fresco
La pera del cebador no se oprimió lo suficiente	Oprima la pera del cebador 10 veces o hasta que se vea el combustible
El combustible está viejo (tiene más de 30 días)	Vacíe el tanque de gasolina y añada combustible fresco
La bujía está corroída	Reemplace la bujía
La palanca de arranque en clima frío está en posición cerrada	Mueva la palanca de arranque en clima frío a la posición abierta
EL MOTOR NO TRABAJA EN VACÍO	
El filtro de aire está sucio	Limpie o cambie el filtro de aire
El combustible está viejo (tiene más de 30 días)	Vacíe el tanque de gasolina y añada combustible fresco
La marcha en vacío no es la correcta	Ajuste la velocidad de marcha en vacío
EL MOTOR NO ACELERA	
El combustible está viejo (tiene más de 30 días)	Vacíe el tanque de gasolina y añada combustible fresco
Los dientes de la cultivadora están atorados con tierra o césped	Pare el motor y limpie los dientes de la cultivadora
El filtro de aire está sucio	Limpie o cambie el filtro de aire
EL MOTOR NO TIENE POTENCIA O SE CALA AL CULTIVAR	
El combustible está viejo (tiene más de 30 días)	Vacíe el tanque de gasolina y añada combustible fresco
El filtro de aire está sucio	Limpie o cambie el filtro de aire
La bujía está corroída	Reemplace la bujía

¿NECESITA MÁS AYUDA?

Encontrará la respuesta y más información en managemylife.com – ¡gratis!

- Busque en Internet éste y todos los demás manuales de sus productos.
- Pregúntele a nuestro equipo de expertos del hogar.
- Reciba un plan de mantenimiento personalizado para su hogar.
- Busque información y herramientas que lo ayuden en sus proyectos del hogar.



ofrecido por Sears

CONVENIOS DE PROTECCIÓN DE REPARACIÓN

Felicitaciones por haber hecho una compra inteligente. Su nuevo producto Craftsman® fue diseñado y fabricado con vistas a una operación confiable por años. Pero como todos los productos, es posible que sea necesario repararlo alguna vez. Ahí es cuando tener un Convenio de Protección de Reparación puede ahorrarle dinero y problemas.

Esto es lo que incluye el Convenio de Protección de Reparación*:

- ☑ **Servicio de experto** por nuestros 10,000 profesionales, especialistas en reparaciones
- ☑ **Servicio ilimitado y sin costo alguno** en piezas y mano de obra para todas las reparaciones cubiertas
- ☑ **Reemplazo del producto** por otro que cueste hasta \$1500 si el producto cubierto no tiene reparación
- ☑ **Descuento del 25%** del precio normal por el servicio y las piezas instaladas que no cubra el convenio; así como también el 25% de descuento por el mantenimiento preventivo
- ☑ **Ayuda rápida por teléfono** – la llamamos Solución Rápida – asistencia técnica por teléfono de un representante de Sears. Considérenos un "manual de usuario que habla".

Una vez que adquiera el Convenio de Protección de Reparación, todo lo que necesita es hacer una simple llamada para programar el servicio. Puede llamar a cualquier hora del día o de la noche o programar el servicio por Internet.

El Convenio de Protección de Reparación es una compra libre de riesgo. Si usted lo cancela por cualquier motivo mientras dure la garantía del producto, le haremos un reembolso completo. Si lo hace en cualquier momento después de vencida la garantía, le haremos un reembolso prorrateado. ¡Adquiera hoy mismo su Convenio de Protección de Reparación!

Se aplican algunas limitaciones y exclusiones. Para precios e información adicional en Estados Unidos, llame al 1-800-827-6655.

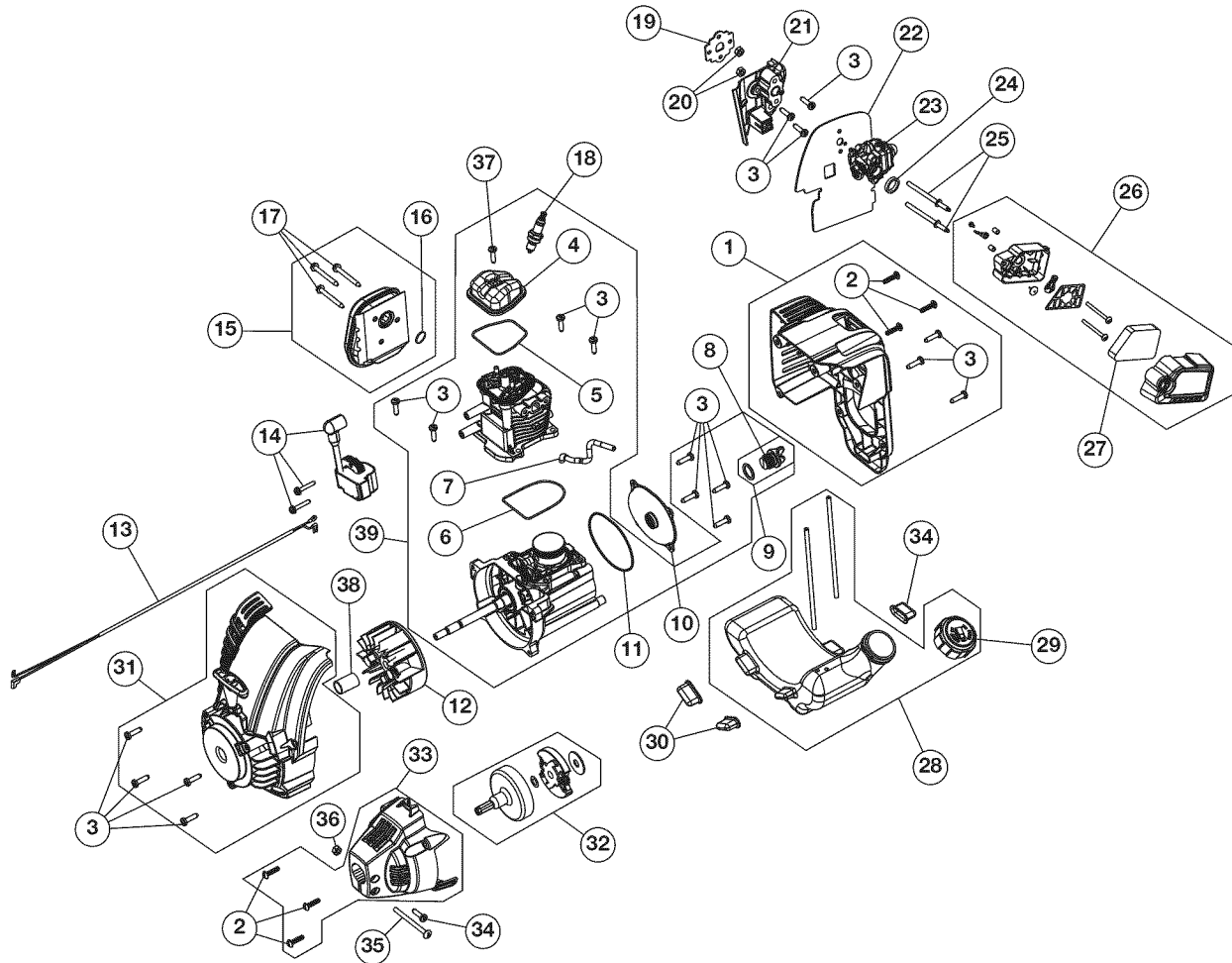
***La cobertura en Canadá varía en algunos artículos. Para todos los detalles, llame a Sears de Canadá al 1-800-361-6665.**

Servicio de Instalación Sears

Para la instalación de electrodomésticos, abrepuestas de garajes, calentadores de agua, y otros productos para el hogar por profesionales de Sears, en Estados Unidos o Canadá, llame al **1-800-4-MY-HOME**.

PARTS LIST

REPLACEMENT PARTS - MODEL 316.299372 ELECTRIC START CAPABLE 4-CYCLE CULTIVATOR

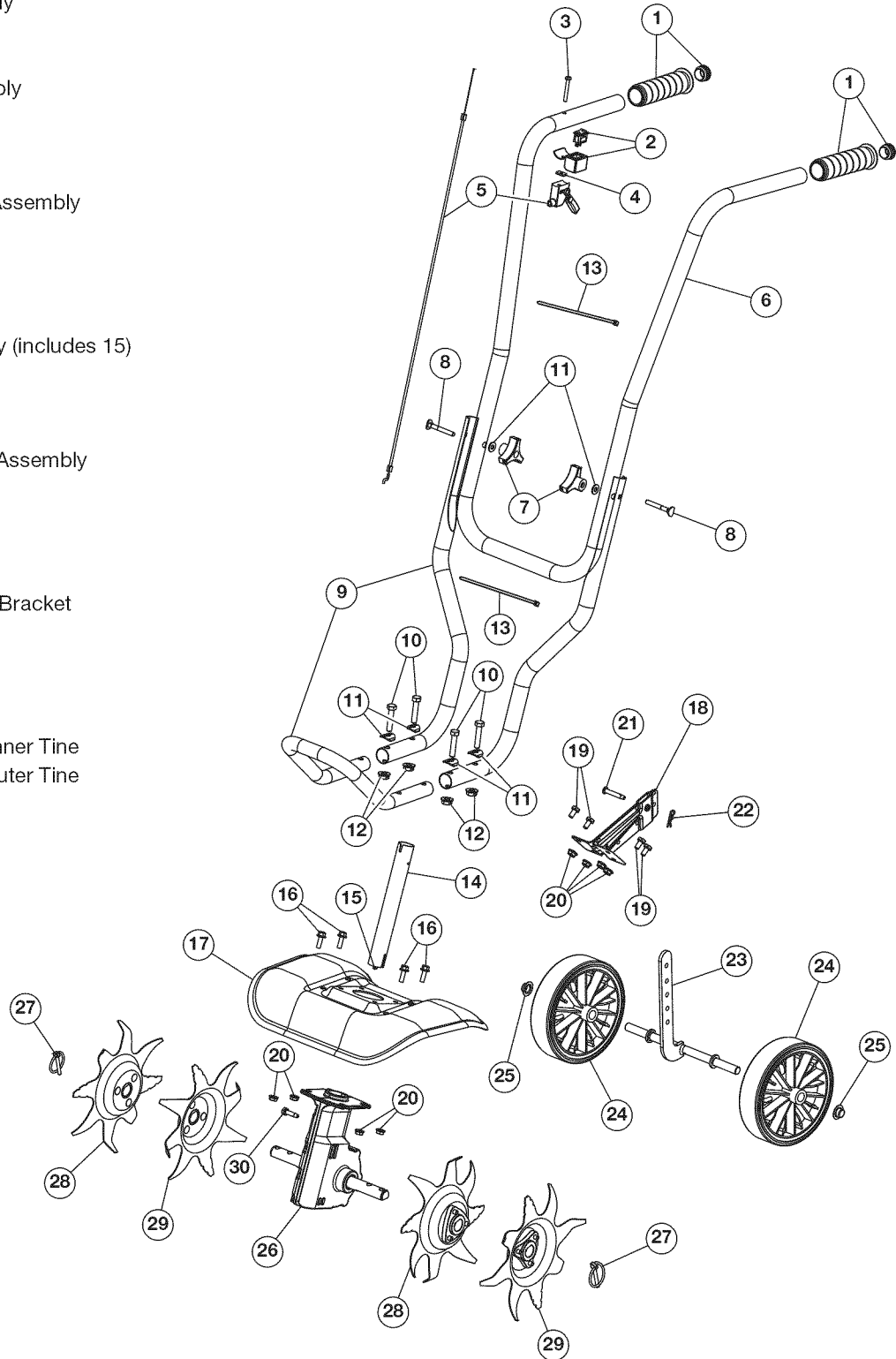


Item	Part No.	Description	Item	Part No.	Description
1	753-06295	Engine Cover Assembly (includes 2 & 3)	22	753-05366	Carburetor Gasket
2	753-04595	Cover Screw	23	753-06258	Carburetor w/Primer
3	753-05377	Starter Screw	24	791-181751	Carburetor O-Ring
4	753-05901	Rocker Cover	25	753-05253	Air Filter Mounting Screw
5	753-05902	Rocker Cover O-Ring	26	753-06541	Air Cleaner Cover Assembly (includes 27)
6	753-05910	Cylinder O-Ring	27	753-05996	Air Filter
7	791-182379	Breather Hose	28	753-06240	Fuel Tank Assembly w/Fuel Lines (includes 29)
8	753-05408	Oil Plug (includes 9)	29	753-1229	Fuel Cap
9	791-182290	Oil Plug O-Ring	30	753-05259	Fuel Tank Pads
10	753-06111	Crankcase Cover	31	753-06511	Starter Housing Assembly (includes 3)
11	753-05238	Crankcase Cover O-ring	32	753-06281	Clutch Assembly
12	753-06221	Flywheel Assembly	33	753-05263	Clutch Cover (includes 2)
13	753-05785	Lead Wires	34	753-04466	Anti-Rotation Screw
14	753-05447	Module Assembly	35	753-04003	Clamp Screw
15	753-06238	Muffler Assembly (includes 16 & 17)	36	791-180217	Nut
16	753-05244	Muffler Gasket	37	791-181025	Rocker Cover Screw
17	753-05246	Muffler Screw	38	753-05078	Spacer
18	753-05784	Spark Plug	39	753-06799	Shortblock Assembly (includes 3-9, 11, 14, 18 & 37)
19	753-05247	Insulator Gasket			
20	753-05248	Nut			
21	753-05249	Insulator			

PARTS LIST

REPLACEMENT PARTS - MODEL 316.299372 ELECTRIC START CAPABLE 4-CYCLE CULTIVATOR

Item	Part No.	Description
1	791-182675	Grip
2	753-06006	Switch Assembly
3	753-04003	Screw
4	753-04186	Weld nut
5	753-06007	Throttle Assembly
6	791-182882	Upper Handle
7	791-182677	Knob
8	791-182899	Bolt
9	753-06009	Lower Handle Assembly
10	753-06012	Bolt
11	753-04052	Washer
12	753-04056	Lock Nut
13	753-04049	Cable Tie
14	753-06011	Boom Assembly (includes 15)
15	753-06005	Flex Shaft
16	753-05001	Bolt
17	753-04067	Tine Shield
18	753-04058	Wheel Bracket Assembly
19	753-04060	Bolt
20	753-04061	Lock Nut
21	753-04059	Clevis Pin
22	753-04057	Cotter Pin
23	753-04063	Wheel Support Bracket
24	753-05530	Wheel
25	753-04062	Push Cap
26	753-06063	Gearbox
27	753-06064	Click Pin
28	753-05986	RH Outer/ LH Inner Tine
29	753-05987	RH Inner/ LH Outer Tine
30	791-180288	Bolt



Get it fixed, at your home or ours!

Your Home

For troubleshooting, product manuals and expert advice:



www.managemylife.com

For repair – **in your home** – of **all** major brand appliances, lawn and garden equipment, or heating and cooling systems, **no matter who made it, no matter who sold it!**

For the replacement parts, accessories and owner's manuals that you need to do-it-yourself.

For Sears professional installation of home appliances and items like garage door openers and water heaters.

1-800-4-MY-HOME[®] (1-800-469-4663)

Call anytime, day or night (U.S.A. and Canada)

www.sears.com

www.sears.ca

Our Home

For repair of carry-in items like vacuums, lawn equipment, and electronics, call anytime for the location of your nearest

Sears Parts & Repair Service Center

1-800-488-1222 (U.S.A.)

1-800-469-4663 (Canada)

www.sears.com

www.sears.ca

To purchase a protection agreement on a product serviced by Sears:

1-800-827-6655 (U.S.A.)

1-800-361-6665 (Canada)

Para pedir servicio de reparación a domicilio, y para ordenar piezas:

1-888-SU-HOGAR[®]

(1-888-784-6427)

www.sears.com

Au Canada pour service en français:

1-800-LE-FOYER^{MC}

(1-800-533-6937)

www.sears.ca

The Sears logo, consisting of the word "sears" in a lowercase, sans-serif font.

® Registered Trademark / TM Trademark of KCD IP, LLC in the United States, or Sears Brands, LLC in other countries

® Marca Registrada / TM Marca de Fábrica de KCD IP, LLC en Estados Unidos, o Sears Brands, LLC in otros países

^{MC} Marque de commerce / ^{MD} Marque déposée de Sears Brands, LLC