

# Operator's Manual

# CRAFTSMAN®

4-Cycle

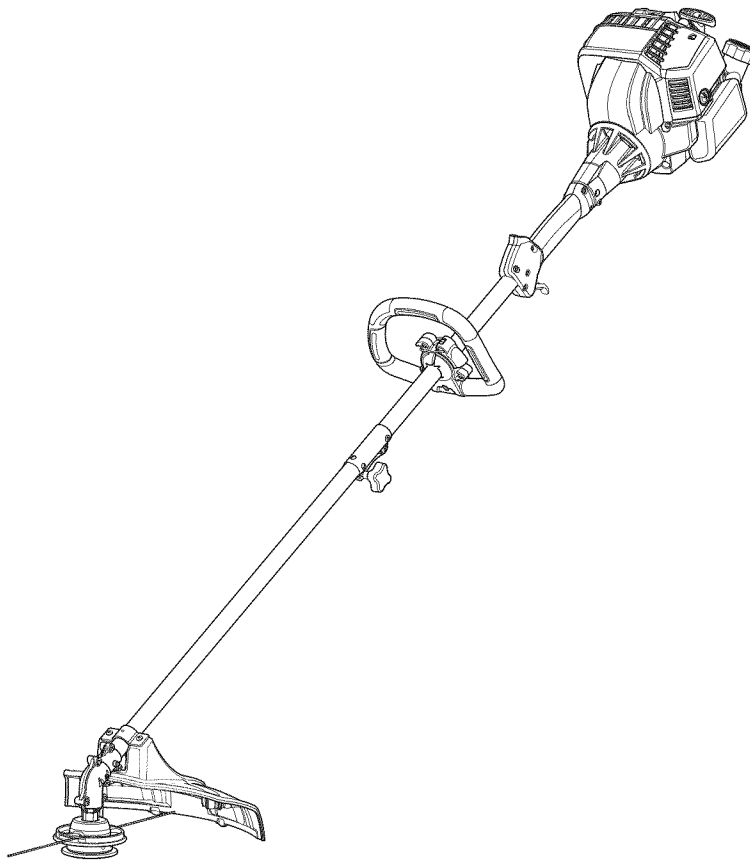
Electric Start Capable

**WEEDWACKER® GAS TRIMMER**

Model No. 316.731930



**INCREDI-PULL™**  
UNBELIEVABLE STARTING EASE™



**CAUTION:** Before using this product, read this manual and follow all its Safety Rules and Operating Instructions.

- SAFETY
- ASSEMBLY
- OPERATION
- MAINTENANCE
- PARTS LIST
- ESPAÑOL, P. 23

**Sears Brands Management Corporation, Hoffman Estates, IL 60179 U.S.A.**

Visit our website: [www.craftsman.com](http://www.craftsman.com)

## TABLE OF CONTENTS

Safety	.2
Warranty	.5
Know Your Unit	.6
Specifications	.6
Assembly	.7
Oil and Fuel	.9
Starting and Stopping	.11
Operation	.13
Maintenance	.14
Cleaning and Storage	.19
Troubleshooting	.20
Repair Protection Agreements	.21
Parts List	.46
Service Numbers	.Back Cover

All information, illustrations and specifications in this manual are based on the latest product information available at the time of printing. We reserve the right to make changes at any time without notice.

© Sears Brands, LLC

## SAFETY

The purpose of safety symbols is to attract your attention to possible dangers. The safety symbols, and their explanations, deserve your careful attention and understanding. The safety warnings do not by themselves eliminate any danger. The instructions or warnings they give are not substitutes for proper accident prevention measures.

### SYMBOL MEANING

	<b>DANGER:</b> Signals an EXTREME hazard. Failure to obey a safety <b>DANGER</b> signal <b>WILL</b> result in serious injury or death to yourself or to others.
	<b>WARNING:</b> Signals a SERIOUS hazard. Failure to obey a safety <b>WARNING</b> signal <b>CAN</b> result in serious injury to yourself or to others.
	<b>CAUTION:</b> Signals a MODERATE hazard. Failure to obey a safety <b>CAUTION</b> signal <b>MAY</b> result in property damage or injury to yourself or to others.

**NOTE:** Advises you of information or instructions vital to the operation or maintenance of the equipment.

### SPARK ARRESTOR NOTE

**NOTE: For users on U.S. Forest Land and in the states of California, Maine, Oregon and Washington.** All U.S. Forest Land and the state of California (Public Resources Codes 4442 and 4443), Oregon and Washington require, by law that certain internal combustion engines operated on forest brush and/or grass-covered areas be equipped with a spark arrestor, maintained in effective working order, or the engine be constructed, equipped and maintained for the prevention of fire. Check with your state or local authorities for regulations pertaining to these requirements. Failure to follow these requirements could subject you to liability or a fine. **This unit is factory equipped with a spark arrestor.** Replacement requires **Muffler Assembly Part #753-08052**, installed at a Sears Parts & Repair Service Center.



### CALIFORNIA PROPOSITION 65

**WARNING:** Engine exhaust, some of its constituents and certain finished components contain or emit chemicals known to the State of California to cause cancer and birth defects or other reproductive harm. Wash hands after handling.

**Read the operator's manual and follow all warnings and safety instructions. Failure to do so can result in serious injury to the operator and/or bystanders.**

## • IMPORTANT SAFETY INSTRUCTIONS •

### READ ALL INSTRUCTIONS BEFORE OPERATING



**WARNING:** When using the unit, all safety rules must be followed. Please read these instructions before operating the unit in order to ensure the safety of the operator and any bystanders. Please keep these instructions for later use.

- Read the instructions carefully. Be familiar with the controls and proper use of the unit.
- Do not operate this unit when tired, ill or under the influence of alcohol, drugs or medication.
- Children must not operate the unit. Teens must be accompanied and guided by an adult.
- All guards and safety attachments must be installed properly before operating the unit.
- Inspect the unit before use. Replace damaged parts. Check for fuel leaks. Make sure all fasteners are in place and secure. Replace parts that are cracked, chipped, or damaged in any way. Do not operate the unit with loose or damaged parts.
- Only use the trimming line described in the *Specifications* section of this manual. Never use metal-reinforced line, wire, chain or rope. These can break off and become dangerous projectiles.
- Be aware of risk of injury to the head, hands and feet.
- Carefully inspect the area before starting the unit. Remove rocks, broken glass, nails, wire, string and other objects that may be thrown or become entangled with the unit.
- Clear the area of children, bystanders and pets; keep them outside a 50-foot (15 m) radius, at a minimum. Even then, they are still at risk from thrown objects. Encourage bystanders to wear eye protection. If you are approached, stop the unit immediately.
- Squeeze the throttle control and check that it returns automatically to the idle position. Make all adjustments or repairs before using the unit.

### SAFETY WARNINGS FOR GAS UNITS



**WARNING:** Gasoline is highly flammable and its vapors can explode if ignited. Take the following precautions:

- Store fuel only in containers specifically designed and approved for the storage of such materials.
- Always stop the engine and allow it to cool before filling the tank. Never remove the fuel tank cap or add fuel when the engine is hot. Always loosen the fuel tank cap slowly to relieve any pressure in the tank before fueling.
- Always add fuel in a clean, well-ventilated outdoor area where there are no sparks or flames. DO NOT smoke.
- Never operate the unit without the fuel cap securely in place.
- Avoid creating a source of ignition for spilled fuel. Wipe up any spilled fuel from the unit immediately, before starting the unit. Move the unit at least 30 ft. (9.1 m) from the fueling source and site before starting the engine. DO NOT smoke.
- Never start or run the unit inside a closed room or building. Breathing exhaust fumes can kill. Operate this unit only in a well ventilated outdoor area.

### WHILE OPERATING

- Wear safety glasses or goggles that meet current ANSI Z87.1 standards and are marked as such. Wear ear/hearing protection when operating this unit. Wear a face mask or dust mask if the operation is dusty.
- Wear heavy long pants, boots, gloves and a long sleeve shirt. Do not wear loose clothing, jewelry, short pants, sandals or go barefoot. Secure hair above shoulder level.
- The cutting head shield must always be in place while operating the unit. Do not operate the unit without both trimming lines extended and the proper line installed. Do not extend the trimming line beyond the length of the shield.
- This unit has a clutch. The cutting head remains stationary when the engine is idling. If it does not, take the unit to a Sears or other qualified service dealer for an adjustment.
- Adjust the handle to provide the best grip.
- Make sure the attachment is not in contact with anything before starting the unit.
- Use the unit only in daylight or good artificial light.
- Avoid accidental starting. Be in the starting position whenever pulling the starter rope. The operator and unit must be in a stable position while starting. Refer to *Starting and Stopping*.
- Use the right tool. Only use this tool for its intended purpose.
- Always hold the unit with both hands when operating. Keep a firm grip on both handles or grips.
- Do not overreach. Always keep proper footing and balance. Take extra care when working on steep slopes or inclines.
- Keep hands, face, and feet away from all moving parts. Do not touch or try to stop moving parts.
- Do not touch the engine, gear housing or muffler. These parts get extremely hot from operation, even after the unit is turned off.
- Do not operate the unit faster than the speed needed to do the job. Do not run the unit at high speed when not in use.
- Do not force the unit. It will do a better, safer job when used at the intended rate.
- Always stop the unit when operation is delayed or when walking from one location to another.
- If you strike or become entangled with a foreign object, stop the unit immediately and check for damage. Do not operate the unit before repairing damage. Do not operate the unit with loose or damaged parts.
- Turn the engine to off and disconnect the spark plug for maintenance or repair.
- Use only original equipment manufacturer (OEM) replacement parts and accessories for this unit, as listed in the *Parts List* section of this manual. Use of any other parts or accessories could lead to serious injury to the user, or damage to the unit, and void the warranty.
- Keep the unit clean. Carefully remove vegetation and other debris that could block moving parts.
- To reduce fire hazard, replace a faulty muffler and spark arrestor. Keep the engine and muffler free from grass, leaves, excessive grease or carbon build up.
- If the unit starts to vibrate abnormally, stop the unit immediately. Inspect the unit for the cause of the vibration. Vibration is generally an indicator of trouble.

## OTHER SAFETY WARNINGS







- All service, other than the maintenance procedures described in this manual, should be performed by a Sears or other authorized service dealer.
- Before inspecting, servicing, cleaning, storing, transporting or replacing any parts on the unit:
  1. Stop the unit.
  2. Make sure all moving parts have stopped.
  3. Allow the unit to cool.
  4. Disconnect the spark plug wire.
- Secure the unit while transporting.
- Never store the unit with fuel in the tank, inside a building where fumes may reach an open flame (pilot lights, etc.) or sparks (switches, electrical motors, etc.).
- Store the unit in a dry place, secured or at a height to prevent unauthorized use or damage. Keep the unit out of the reach of children.
- Never douse or squirt the unit with water or any other liquid. Keep handles dry, clean and free from debris. Clean the unit after each use. Refer to *Cleaning and Storage*.
- Keep these instructions. Refer to them often and use them to instruct other users. If you loan this unit to others, also loan them these instructions.

## SAVE THESE INSTRUCTIONS








### • SAFETY & INTERNATIONAL SYMBOLS •

This operator's manual describes safety and international symbols and pictographs that may appear on this product. Read the operator's manual for complete safety, assembly, operating and maintenance and repair information.

#### SYMBOL MEANING

	<ul style="list-style-type: none"> <li>• <b>SAFETY ALERT SYMBOL</b> Indicates danger, warning or caution. May be used in conjunction with other symbols or pictographs.</li> </ul>
	<ul style="list-style-type: none"> <li>• <b>READ OPERATOR'S MANUAL</b> <b>WARNING:</b> Read the operator's manual(s) and follow all warnings and safety instructions. Failure to do so can result in serious injury to the operator and/or bystanders.</li> </ul>
	<ul style="list-style-type: none"> <li>• <b>WEAR EYE AND HEARING PROTECTION</b> <b>WARNING:</b> Thrown objects and loud noise can cause severe eye injury and hearing loss. Wear eye protection meeting current ANSI Z87.1 standards and ear protection when operating this unit. Use a full face shield when needed.</li> </ul>
	<ul style="list-style-type: none"> <li>• <b>UNLEADED FUEL</b> Always use clean, fresh unleaded fuel.</li> </ul>
	<ul style="list-style-type: none"> <li>• <b>OIL</b> Refer to operator's manual for the proper type of oil.</li> </ul>
	<ul style="list-style-type: none"> <li>• <b>DO NOT USE E85 FUEL IN THIS UNIT</b> <b>WARNING:</b> It has been proven that fuel containing greater than 10% ethanol will likely damage this engine and void the warranty.</li> </ul>

#### SYMBOL MEANING

	<ul style="list-style-type: none"> <li>• <b>ON/OFF STOP CONTROL</b> ON / START / RUN</li> </ul>
	<ul style="list-style-type: none"> <li>• <b>ON/OFF STOP CONTROL</b> OFF or STOP</li> </ul>
	<ul style="list-style-type: none"> <li>• <b>PRIMER BULB</b> Push primer bulb, fully and slowly, 10 times.</li> </ul>
	<ul style="list-style-type: none"> <li>• <b>THROWN OBJECTS AND ROTATING CUTTER CAN CAUSE SEVERE INJURY</b> <b>WARNING:</b> Small objects can be propelled at high speed, causing injury. Keep away from the rotating rotor.</li> </ul>
	<ul style="list-style-type: none"> <li>• <b>KEEP BYSTANDERS AWAY</b> <b>WARNING:</b> Keep all bystanders, especially children and pets, at least 50 feet (15 m) from the operating area.</li> </ul>
	<ul style="list-style-type: none"> <li>• <b>HOT SURFACE</b> <b>WARNING:</b> Do not touch a hot muffler or cylinder. You may get burned. These parts get extremely hot from operation. When turned off they remain hot for a short time.</li> </ul>
	<ul style="list-style-type: none"> <li>• <b>SHARP BLADE</b> <b>WARNING:</b> Sharp blade on trimmer attachment shield. To prevent serious injury, do not touch the line cutting blade.</li> </ul>

## WARRANTY

### **CRAFTSMAN TWO YEAR FULL WARRANTY**

FOR TWO YEARS from the date of purchase, this product is warranted against any defects in material or workmanship. A defective product will receive free repair or replacement if repair is unavailable.

### **ADDITIONAL LIMITED WARRANTY on TRIMMER SHAFTS**

FOR THE THIRD THROUGH TENTH YEAR from the date of purchase, the outer metal housing of the upper and lower trimmer shafts is warranted against any defects in material or workmanship. With proof of purchase, a new housing will be supplied free of charge. You are responsible for the labor cost of installation. This additional coverage does not apply to inner trimmer shaft components.

**For warranty coverage details to obtain free repair or replacement, visit the web site: [www.craftsman.com](http://www.craftsman.com)**

**This warranty covers ONLY defects in material and workmanship. Warranty coverage does NOT include:**

- Expendable items that can wear out from normal use within the warranty period, such as cutting line, spark plugs, or filters.
- Product damage resulting from user attempts at product modification or repair or caused by product accessories.
- Repairs necessary because of accident or failure to operate or maintain the product according to all supplied instructions.
- Preventive maintenance, or repairs necessary due to improper fuel mixture, contaminated or stale fuel.

This warranty is void if this product is ever used while providing commercial services or if rented to another person.

This warranty gives you specific legal rights, and you may also have other rights which vary from state to state.

Sears Brands Management Corporation, Hoffman Estates, IL 60179

**To order parts or schedule service for this product, call 1-800-469-4663.**

# KNOW YOUR UNIT

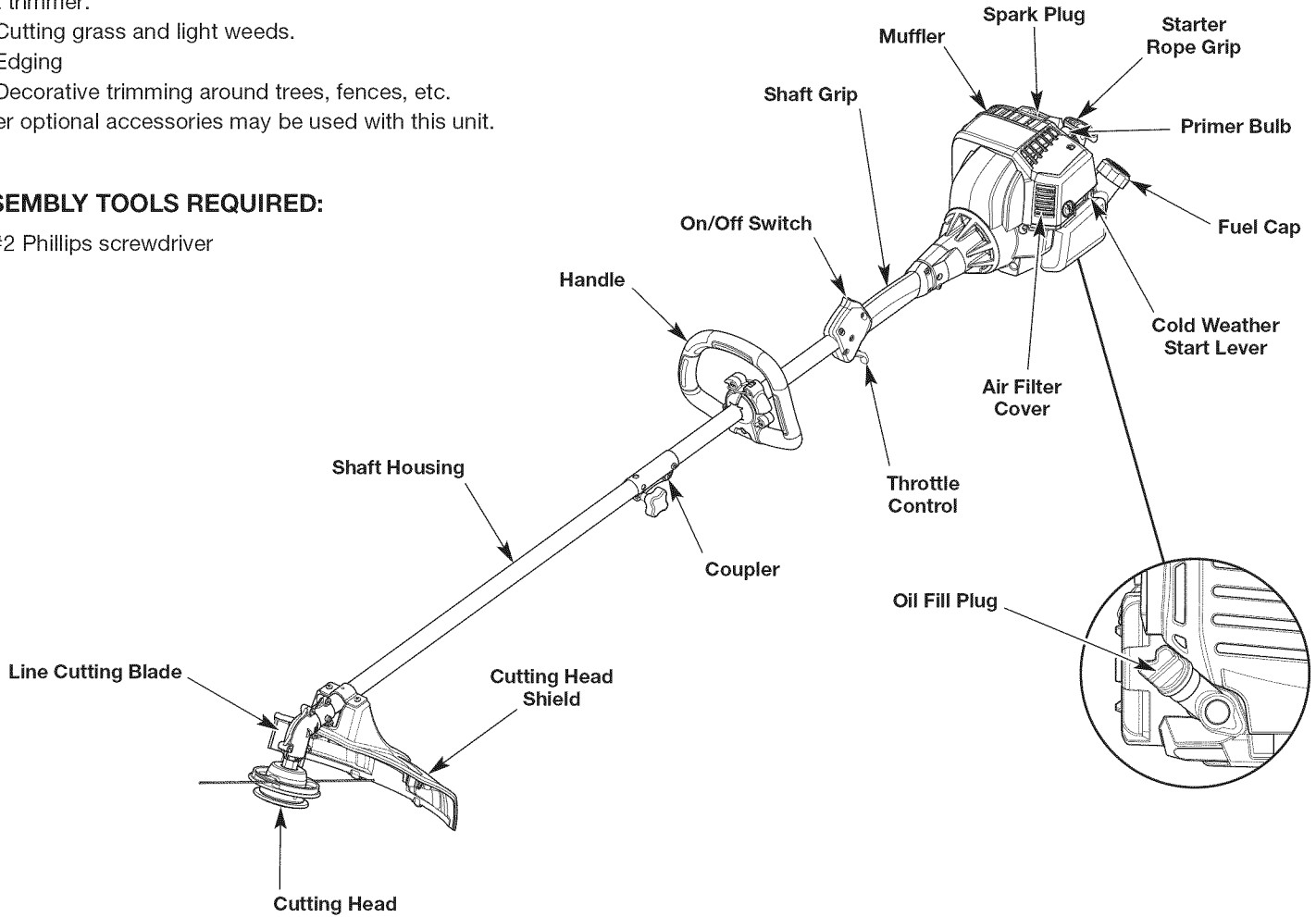
## APPLICATIONS

As a trimmer:

- Cutting grass and light weeds.
  - Edging
  - Decorative trimming around trees, fences, etc.
- Other optional accessories may be used with this unit.

## ASSEMBLY TOOLS REQUIRED:

- #2 Phillips screwdriver



## SPECIFICATIONS\*

Engine Type . . . . .	Air-Cooled, 4-Cycle
Displacement . . . . .	32 cc (1.95 cu. in.)
Spark Plug Gap . . . . .	0.025 in. (0.635 mm)
Spark Plug . . . . .	Champion® RDZ4H or equivalent plug
Lubrication . . . . .	SAE 30 Oil
Crankcase Oil Capacity . . . . .	2.03 oz. (60 ml)
Fuel Tank Capacity . . . . .	12 oz. (355 ml)
Approximate Unit Weight (No fuel, with cutting head, cutting head shield and handle). . . . .	13 - 14 lbs. (5.9 - 6.4 kg)
Trimmer Mechanism . . . . .	Hassle Free™ Head
Trimming Line . . . . .	Hassle Free™ XTRA QUIET Spiral Line
Cutting Path Diameter . . . . .	14 in. (35.56 cm)

\* All specifications are based on the latest product information available at the time of printing. We reserve the right to make changes at any time without notice.

## ASSEMBLY

### INSTALLING THE CUTTING HEAD SHIELD



**WARNING:** To prevent serious personal injury, never operate the unit without the cutting head shield in place.

Use the following instructions if the cutting head shield is not installed. Use only the instructions that apply to the type of shaft and shield equipped with this unit.

1. Place the cutting head shield onto the mount bracket. Align the holes in the cutting head shield with the holes in the mount bracket. (Fig. 1)
2. Screw the 2 screws through the mount bracket and into the cutting head shield until finger tight.
3. Using a #2 Phillips screwdriver, tighten the screws until the cutting head shield is firmly in place. Tighten the screws equally. The gap between the mount bracket and the cutting head shield should be the same on each side.

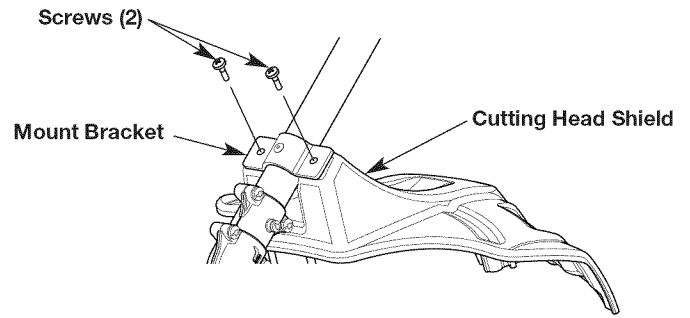


Fig. 1

### ADJUSTING THE HANDLE

If the handle requires adjustment:

1. Flip the handle lever up to loosen the handle (Fig. 2).
2. While holding the unit in the operating position (Fig. 13), move the handle to the location that provides the best grip. Place it a minimum of 6 inches (15.24 cm) from the end of the shaft grip (Fig. 2).
3. Tilt the handle as desired (Fig. 2).
4. Flip the handle lever down to secure the handle.

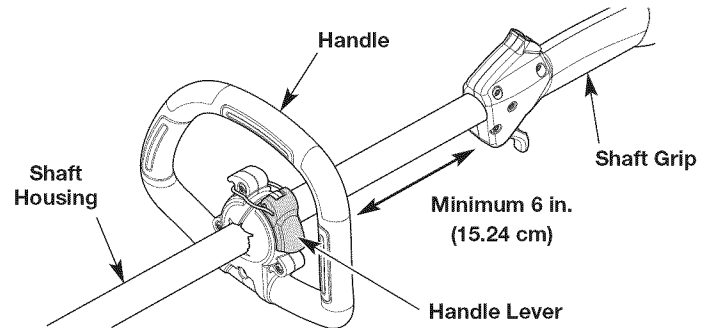


Fig. 2

## OPERATING THE COUPLER

The coupler enables the use of various optional attachments.

**WARNING:** Before using any attachment, read and understand the manual that came with the attachment. Follow all safety information contained within.

**WARNING:** To avoid serious personal injury and damage to the unit, shut the unit off before removing or installing an attachment.

**NOTE:** To make installing or removing the attachment easier, place the unit on the ground or on a work bench.

### Installing the Attachment

**NOTE:** Remove the protective cap and gray spacer from the upper and lower shafts prior to assembling the attachment.

1. Turn the knob counterclockwise to loosen (Fig. 3).
2. While firmly holding the attachment, push it straight into the coupler until the release button snaps firmly into the primary hole (Fig. 5).

**NOTE:** Aligning the release button with the guide recess will help installation (Fig. 4).

3. Turn the knob clockwise to tighten (Fig. 3).

**NOTE:** Do not tighten the nut (Fig. 4).

**CAUTION:** Before operating the unit, make sure the release button is fully snapped into the primary hole (Fig. 5) and the knob (Fig. 3) is securely tightened.

**CAUTION:** The release button should be snapped into the primary hole only. Using the wrong hole could lead to personal injury or damage to the unit.

For decorative edging with a string trimmer attachment, lock the release button into the 90° edging hole (Fig. 3).

### Removing the Attachment

1. Turn the knob counterclockwise to loosen (Fig. 3).
2. Press and hold the release button (Fig. 4).
3. While firmly holding the upper shaft housing, pull the attachment straight out of the coupler (Fig. 5).

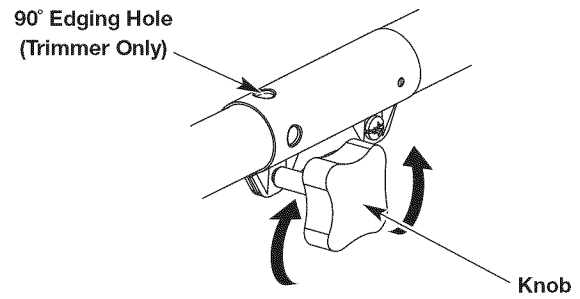


Fig. 3

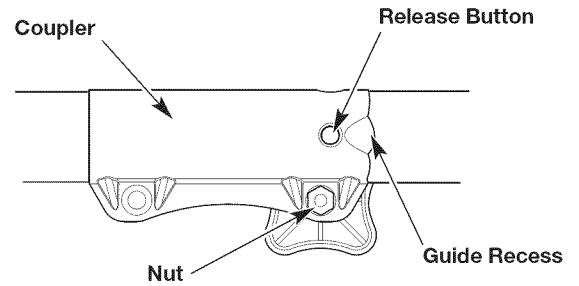


Fig. 4

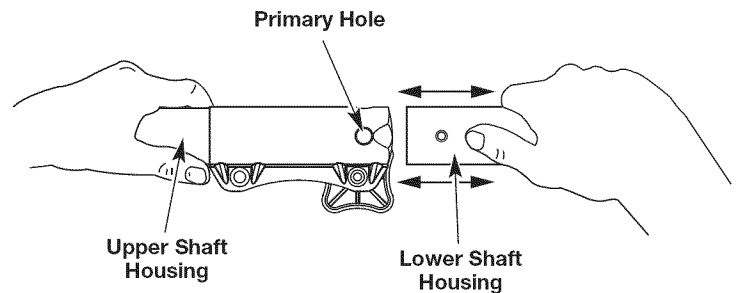


Fig. 5



## USING THE RIGHT OIL

Use a high-quality SAE 30 weight oil. **DO NOT** use dirty oil. Failure to use clean oil of the correct type can cause premature engine wear and failure.

## ADDING OIL: INITIAL USE



**WARNING:** OVERFILLING THE CRANKCASE MAY CAUSE SERIOUS PERSONAL INJURY. Check the oil level before each use. The importance of maintaining the proper oil level cannot be overemphasized. Change the oil according to the *Maintenance Schedule*.

**NOTE:** This unit was shipped without oil in the crankcase. Oil must be added before starting the unit.

**NOTE:** This unit comes with a 2.03 fluid oz. (60 ml) bottle of oil.

1. Unscrew the top of the oil bottle. Remove the paper seal. Reinstall the top of the oil bottle.
2. Remove the cap from the oil bottle. Cut the tip off the funnel spout (Fig. 6).
3. **Set the unit on a flat, level surface.**

4. Unscrew the oil fill plug (Fig. 7).

5. Pour the entire bottle into the oil fill hole (Fig. 7). **DO NOT** overfill. Refer to *Checking the Oil Level*.

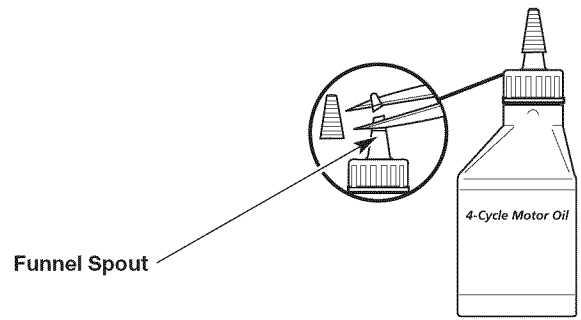
**NOTE:** Never add oil directly to the fuel tank. This unit has a four-cycle engine. **DO NOT** mix oil with gasoline.

6. Wipe up any oil that may have spilled.

7. Reinstall the oil fill plug.

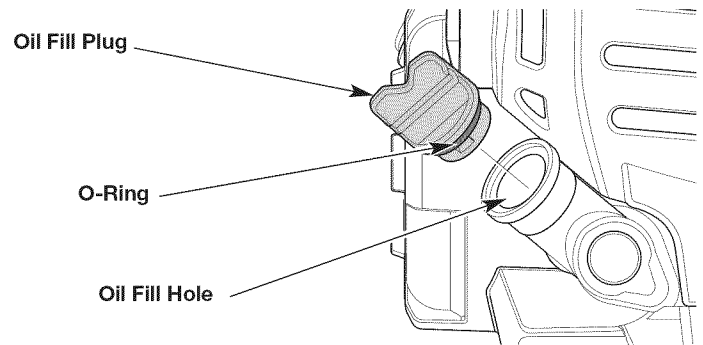
**NOTE:** Make sure the O-ring is in place on the oil fill plug (Fig. 7).

**NOTE:** Save the empty oil bottle. Use the bottle to measure the correct amount of oil during future oil changes.



Funnel Spout

Fig. 6



Oil Fill Plug

O-Ring

Oil Fill Hole

Fig. 7

## USING THE RIGHT FUEL

The use of old fuel is the most common cause of performance problems. Use only fresh, clean unleaded gasoline.

**NOTE:** This unit has a four-cycle engine. **DO NOT** mix oil with gasoline.

### Definition of Blended Fuels


Today's fuels are often a blend of gasoline and oxygenates such as ethanol, methanol or MTBE (ether). Alcohol-blended fuel absorbs water. As little as 1% water in the fuel can make fuel and oil separate, forming acids when stored. **ALWAYS** use fresh fuel (less than 30 days old).

**NOTE:** Dispose of old fuel according to federal, state and local regulations.

### Using Blended Fuels

If using a blended fuel:


- Always use fresh unleaded gasoline
- Use the fuel additive STA-BIL® or an equivalent
- Drain the tank and run the engine dry before storing the unit


	<b>WARNING: DO NOT USE E85 FUEL IN THIS UNIT.</b> It has been proven that fuel containing greater than 10% ethanol will likely damage this engine and void the warranty.
--	---


### Using Fuel Additives

Use a fuel additive, such as STA-BIL Fuel Stabilizer or an equivalent, to inhibit corrosion and minimize gum deposits. Add 0.8 oz. (23 ml) of fuel additive per gallon of fuel, according to the instructions on the container. **NEVER** add fuel additives directly to the unit's fuel tank.

## FUELING THE UNIT

	<b>WARNING:</b> Gasoline is extremely flammable. Ignited vapors may explode. Always stop the engine and allow it to cool before filling the fuel tank. Do not smoke while filling the tank. Keep sparks and open flames at a distance from the area.
--	--

	<b>WARNING:</b> Remove the fuel cap slowly to avoid injury from fuel spray. Never operate the unit without the fuel cap securely in place.
--	--

	<b>WARNING:</b> Add fuel in a clean, well ventilated outdoor area. Wipe up any spilled fuel immediately. Avoid creating a source of ignition for spilled fuel. Do not start the engine until fuel vapors dissipate.
--	---

1. Position the unit with the fuel cap facing up.
2. Remove the fuel cap.
3. Place the fuel container spout into the fill hole on the fuel tank and fill the tank.

**NOTE:** Do not overfill the tank.

4. Wipe up any fuel that may have spilled.
5. Reinstall the fuel cap.
6. Move the unit at least 30 ft. (9.1 m) from the fuel container and the fueling site before starting the engine.

## STARTING AND STOPPING



**WARNING:** Operate this unit only in a well-ventilated outdoor area. Carbon monoxide exhaust fumes can be lethal in a confined area.



**WARNING:** Avoid accidentally starting the unit. To avoid serious injury, the operator and the unit must be in a stable position when pulling the starter rope (Fig. 11).

### STARTING INSTRUCTIONS

1. Check the oil level. Refer to *Checking the Oil Level*.
2. Fill the fuel tank. Refer to *Fueling the Unit*.

**NOTE:** There is no need to turn the unit on. The On/Off switch is in the ON (I) position at all times (Fig. 8).

**IF COLD...** In cold weather (below 40°F), move the cold weather start lever to the **Closed** position (Fig. 10). **DO NOT** move the cold weather start lever to the **Closed** position if the temperature is above 40°F.

3. Slowly press and release the primer bulb **10 times** (Fig. 9). If fuel cannot be seen in the primer bulb, press and release the primer bulb until fuel is visible.
4. Crouch in the starting position (Fig. 11).
5. **DO NOT** squeeze the throttle control (Fig. 8). Pull the starter rope with a controlled and steady motion until the unit starts (Fig. 11).

**NOTE:** This unit uses the **INCREDI-PULL™** starting system, which significantly reduces the effort required to start the engine.

**IF COLD...** In cold weather (below 40°F), move the cold weather start lever back to the **Open** position (Fig. 10).

6. **DO NOT** squeeze the throttle control. Allow the engine to warm up for 60 seconds.
7. Squeeze and hold the throttle control (Fig. 8). Continue warming the engine for an additional 30 to 60 seconds. The unit may be used during this time.

**NOTE:** The engine is properly warmed up when it accelerates without hesitation.

**IF...** the engine does not start, begin the starting procedure with step 3.

**IF...** the engine stops while the throttle control is squeezed, begin the starting procedure with step 4.

**IF THE ENGINE IS HOT...** begin the starting procedure with step 3.

### STOPPING INSTRUCTIONS

1. Release the throttle control and allow the engine to idle.
2. Press and hold the On/Off switch in the OFF (O) position until the engine comes to a complete stop (Fig. 8).

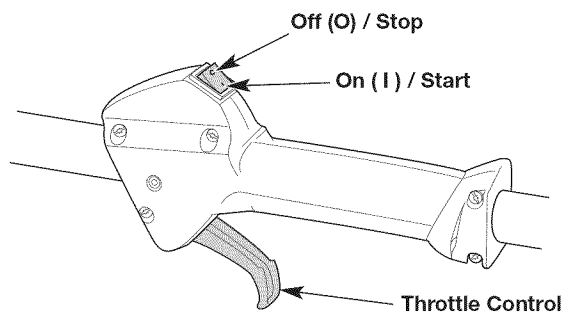


Fig. 8

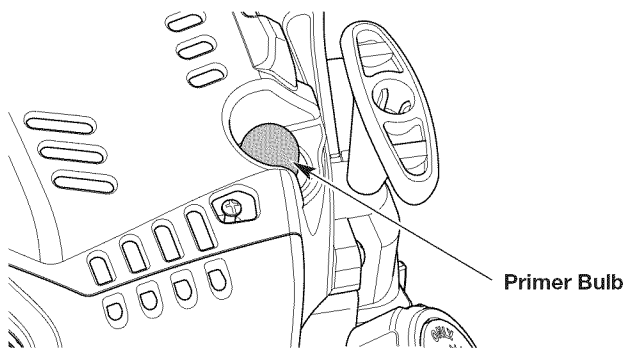


Fig. 9

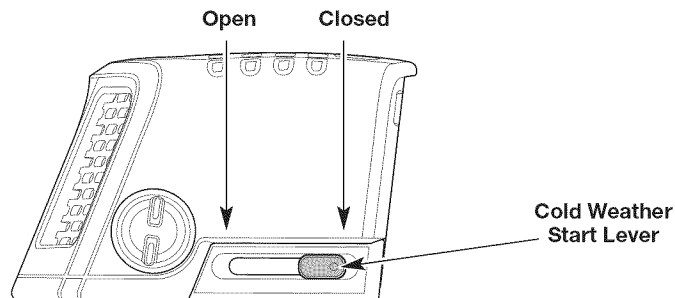


Fig. 10

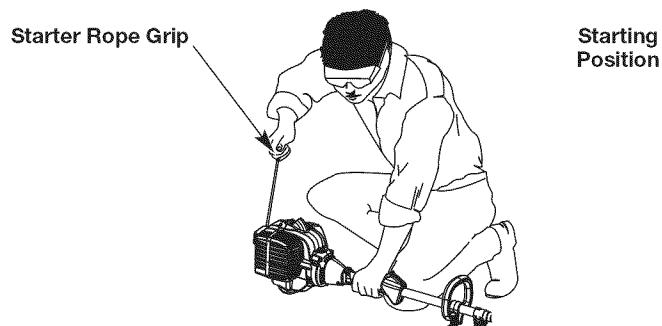


Fig. 11

## USING THE SPEED START™ ACCESSORY

This unit can be started with an optional Speed Start™ accessory (items sold separately). Please refer to the Speed Start™ accessory operator's manual for the proper use of this feature.

Please contact your local Craftsman retailer, call **1-800-469-4663** or visit **www.craftsman.com** for more information.

Item No.	Description
316.85951	.....Plug-In Power Start
316.85951	.....Power Bit Start
316.85953	.....Cordless Power Start

### STARTING INSTRUCTIONS

1. Check the oil level. Refer to *Checking the Oil Level*.
2. Fill the fuel tank. Refer to *Fueling the Unit*.

**NOTE:** There is no need to turn the unit on. The On/Off switch is in the ON (I) position at all times (Fig. 8).

**IF COLD...** In cold weather (below 40°F), move the cold weather start lever to the **Closed** position (Fig. 10). **DO NOT** move the cold weather start lever to the **Closed** position if the temperature is above 40°F.

3. Slowly press and release the primer bulb **10 times** (Fig. 9). If fuel cannot be seen in the primer bulb, press and release the primer bulb until fuel is visible.
4. Crouch in the starting position (Fig. 11).
5. Insert the Speed Start™ accessory into the Speed Start™ port (Fig. 12). Refer to the *Operation* section of the Speed Start™ accessory operator's manual.
6. **DO NOT** squeeze the throttle control (Fig. 8). Run the Speed Start™ accessory in intervals no longer than 2 seconds each until the unit starts.
7. Remove the Speed Start™ accessory from the unit.

**IF COLD...** In cold weather (below 40°F), move the cold weather start lever back to the **Open** position (Fig. 10).

8. **DO NOT** squeeze the throttle control. Allow the engine to warm up for 60 seconds.
9. Squeeze and hold the throttle control (Fig. 8). Continue warming the engine for an additional 30 to 60 seconds. The unit may be used during this time.

**NOTE:** The engine is properly warmed up when it accelerates without hesitation.

**IF...** the engine does not start, begin the starting procedure with step 3.

**IF...** the engine stops while the throttle control is squeezed, begin the starting procedure with step 4.

**IF THE ENGINE IS HOT...** begin the starting procedure with step 3.

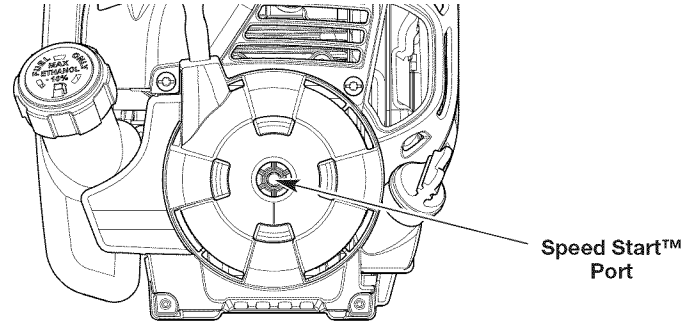


Fig. 12

### STOPPING INSTRUCTIONS

1. Release the throttle control and allow the engine to idle.
2. Press and hold the On/Off switch in the OFF (O) position until the engine comes to a complete stop (Fig. 8).

## OPERATION

### HOLDING THE TRIMMER



**WARNING:** Always wear eye, hearing, hand, foot and body protection to reduce the risk of injury when operating this unit.

- Stand in the operating position (Fig. 13).
- Hold the shaft grip with the right hand. Keep the right arm slightly bent.
- Hold the handle with the left hand. Keep the left arm straight.
- Hold the unit at waist level.
- Keep the cutting head parallel to the ground so that it easily contacts the grass without the need for bending over.



Fig. 13

### TIPS FOR BEST TRIMMING RESULTS

- Keep the cutting head parallel to the ground.
- Cut from left to right whenever possible. This improves the unit's cutting efficiency and throws clippings away from the operator.
- Do not trim wet grass or weeds.

**NOTE:** Some line breakage will occur from:

- Entanglement with foreign matter
- Normal line fatigue
- Attempting to cut thick vegetation
- Forcing the line into objects such as walls or fence posts

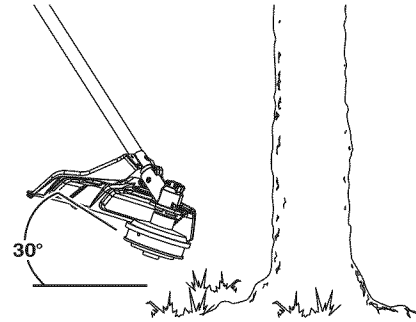


Fig. 14

### DECORATIVE TRIMMING

When trimming around trees, posts, fences, etc., rotate the whole unit so that the cutting head is at a 30° angle to the ground (Fig. 14).



**WARNING:** To prevent serious injury, never perform maintenance or repairs while the unit is running. Always allow the unit to cool before servicing or repairing the unit. Disconnect the spark plug wire to prevent the unit from starting accidentally.

## MAINTENANCE SCHEDULE

Perform these required maintenance procedures at the frequency stated in the table. These procedures should also be a part of any seasonal tune-up.

**NOTE:** Some maintenance procedures may require special tools or skills. If unsure about these procedures, take the unit to a Sears or other qualified service dealer. Call **1-800-469-4663** for more information.

**NOTE:** Maintenance, replacement, or repair of the emission control devices and system may be performed by a Sears or other qualified service dealer. Call **1-800-469-4663** for more information.

**NOTE:** Please read the California/EPA statement that came with the unit for a complete listing of terms and coverage for the emissions control devices, such as the spark arrestor, muffler, carburetor, etc.

FREQUENCY	MAINTENANCE REQUIRED
Every 10 hours	<ul style="list-style-type: none"> <li>Clean and re-oil the air filter. Refer to <i>Maintaining the Air Filter</i>.</li> </ul>
After the first 10 hours and at 38 hours	<ul style="list-style-type: none"> <li>Change the oil. Refer to <i>Changing the Oil</i>.</li> <li>Have the rocker arm clearance checked by an authorized service dealer.</li> <li>Check the spark plug condition and gap. Refer to <i>Maintaining the Spark Plug</i>.</li> </ul>

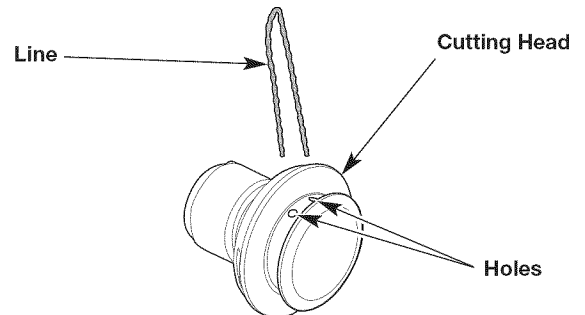


Fig. 15

## REPLACING THE TRIMMING LINE

Only use the trimming line described in the *Specifications* section. Other types of trimming line may cause the engine to overheat or fail.



**WARNING:** Never use metal-reinforced line, wire, chain or rope. These can break off and become dangerous projectiles.

**NOTE:** When using Craftsman® Hassle Free™ XTRA QUIET Spiral Line, use the line best suited for the job at hand. Medium-sized (red) line is designed for cutting grass and small weeds. Large-sized (black) line is designed for cutting larger weeds and light brush.

### Installing New Trimming Line

1. Remove the old line from the cutting head.
2. Use a clean cloth to clean the surface of the cutting head. If the cutting head is too dirty to accept new line, refer to *Cleaning the Cutting Head*.
3. Insert the ends of the line through the large circular holes in the side of the cutting head (Fig. 15). Push the line through the holes until both ends protrude from the positioning tunnels (Fig. 16).
4. Pull the ends of the line until the line is tight against the cutting head. Make sure the ends of the line are of equal length (Fig. 17).

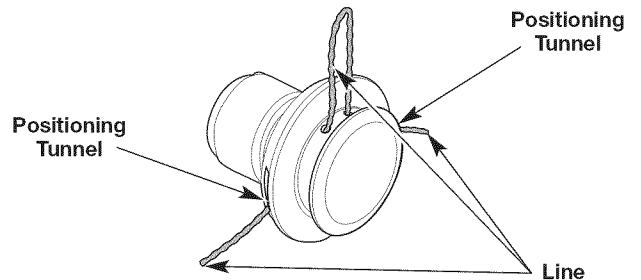


Fig. 16

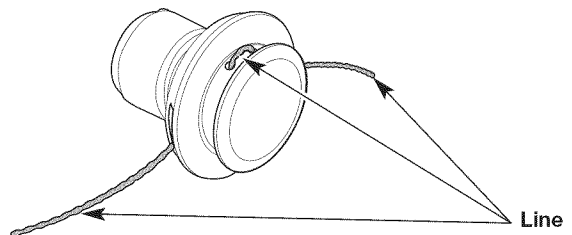


Fig. 17

## Cleaning the Cutting Head

**NOTE:** The cutting head will remain attached to the unit.

1. Remove the old line from the cutting head. The line glide plate cannot be removed if there is still line in the cutting head.
2. Locate the small hole in the side of the cutting head that holds the black locking tab (Fig. 18). Insert a small Phillips screwdriver and push the locking tab inward. At the same time, pull the line glide plate out of the cutting head.
3. Use a clean cloth to clean the insides of the cutting head and line glide plate.
4. Align the arrow on the line glide plate with the "A" mark on the cutting head (Fig. 18).
5. Push the line glide plate into the cutting head until the locking tab snaps into place.

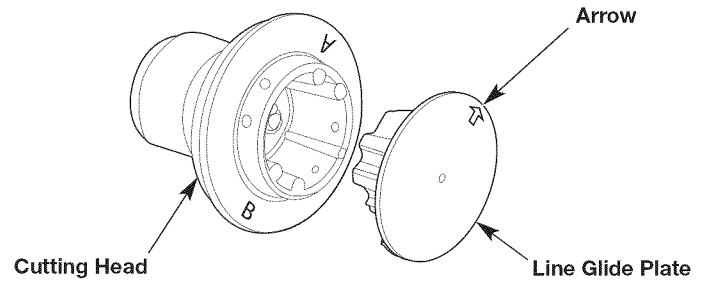
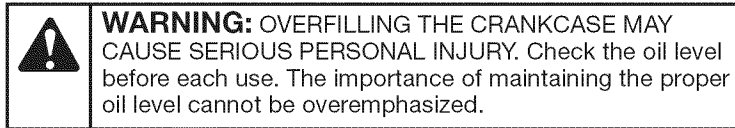


Fig. 18

## CHECKING THE OIL LEVEL



### Inspecting the Oil Level Window

1. Stop the engine and allow it to cool.
2. **Set the unit on a flat, level surface**, such as a workbench or table. The cutting head shield should hang over the edge so that the engine is level (Fig. 19).

**NOTE:** Failure to keep the engine level may cause the oil to overfill.

3. Look into the oil level window; use a flashlight if necessary. **The oil level should fill the window approximately halfway** (Fig. 20). If the oil level is too low, add oil. Refer to *Adding Oil*.

### Adding Oil

1. Clean the area around the oil fill plug (Fig. 8) to prevent debris from entering the oil fill hole.
2. Unscrew the oil fill plug.
3. Add oil to the oil fill hole until the oil level is approximately halfway up the oil level window (Fig. 20).

**NOTE: DO NOT** overfill the crankcase.

4. Wipe up any oil that may have spilled.
5. Reinstall the oil fill plug.

**NOTE:** Make sure the O-ring is in place on the oil fill plug (Fig. 8).

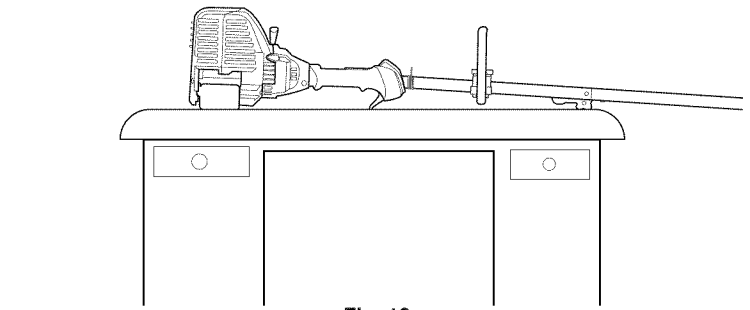


Fig. 19

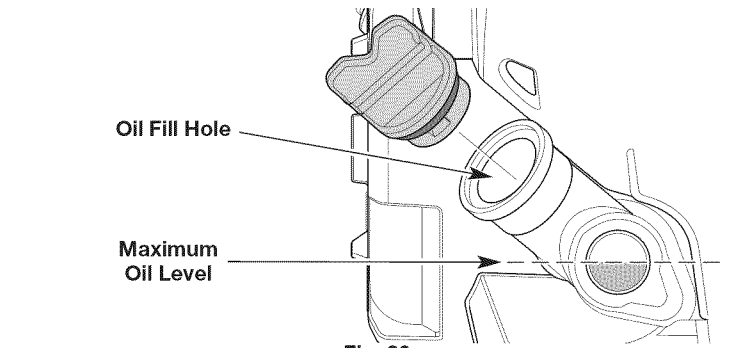


Fig. 20

## CHANGING THE OIL

Change the oil while the engine is still warm. The oil will flow freely and carry away more impurities.

1. Clean the area around the oil fill plug (Fig. 8) to prevent debris from entering the oil fill hole.
2. Unscrew the oil fill plug.
3. Tip the unit vertically to pour the oil out of the oil fill hole and into a container (Fig. 21). Allow ample time for complete drainage.

**NOTE:** Dispose of the old oil according to federal, state and local regulations.

4. Wipe up any oil that may have spilled.
5. Pour 2.03 fl.oz. (60 ml) of SAE 30 oil into the oil fill hole.

**NOTE: DO NOT** overfill. Refer to *Checking the Oil Level*.

**NOTE:** Use the empty oil bottle saved from the initial use to measure the correct amount of oil. Fill the oil bottle to the 2.03 fl. oz (60 ml) fill line indicated on the back of the bottle (Fig. 22).

6. Wipe up any oil that may have spilled.
7. Reinstall the oil fill plug.

**NOTE:** Make sure the O-ring is in place on the oil fill plug (Fig. 8).

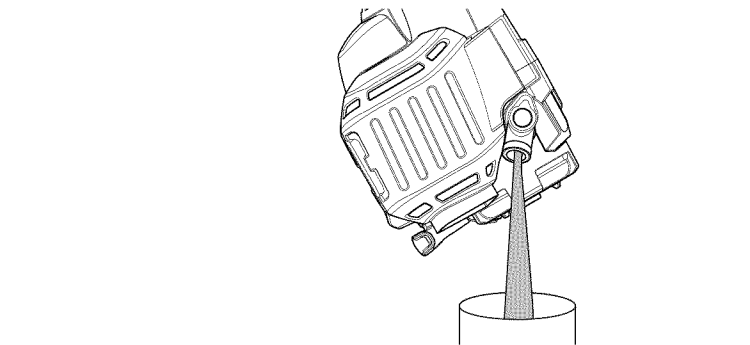


Fig. 21

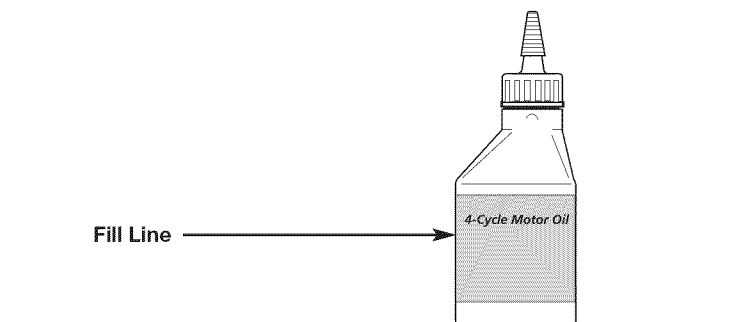


Fig. 22



## MAINTAINING THE AIR FILTER



**WARNING:** To avoid serious personal injury, always stop the engine and allow it to cool before cleaning or maintaining the unit.

Failure to maintain the air filter can result in poor performance or can cause permanent damage to the engine. Engine failure due to improper air filter maintenance is not covered by the product warranty.

### Cleaning the Air Filter

1. Unscrew the cover screw completely. Swing the air filter cover to the right. Remove the air filter cover from the air filter housing (Fig. 23).
2. Remove the air filter from the air filter housing (Fig. 23).
3. Wash the air filter in detergent and water. Rinse the air filter thoroughly and allow it to dry.
4. Lightly coat the air filter with clean SAE 30 oil.
5. Squeeze the air filter to spread and remove excess oil.
6. Reinstall the air filter in the air filter housing (Fig. 23).

**NOTE:** Operating the unit without the air filter and air filter cover will VOID the warranty.

7. Insert the tab on the air filter cover into the hole on the air filter housing. Swing the air filter cover to the left. Push the air filter cover back onto the air filter housing. Insert the cover screw into the air filter cover. Tighten the cover screw to secure the air filter cover (Fig. 23).

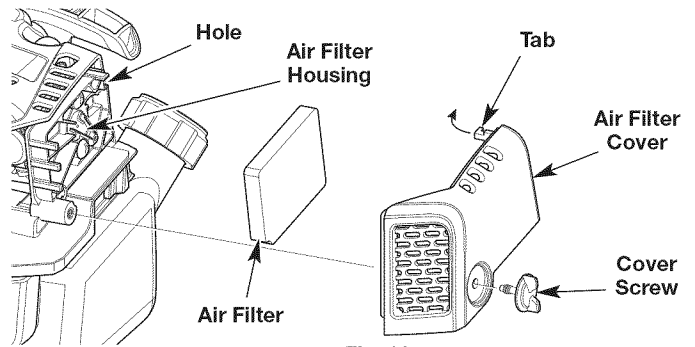


Fig. 23

## ADJUSTING THE IDLE SPEED



**WARNING:** The cutting head may spin during idle speed adjustments. Wear protective clothing and observe all safety instructions to prevent serious personal injury.

**NOTE:** Careless adjustments can seriously damage the unit. A Sears or other qualified service dealer should make carburetor adjustments.

If, after checking the fuel and cleaning the air filter, the engine still will not idle, adjust the idle speed screw as follows:

1. Start the engine. Refer to *Starting and Stopping*.
2. Release the throttle control and let the engine idle. If the engine stops, use a small Phillips screwdriver to turn the idle speed screw clockwise, 1/8 of a turn at a time (as needed) until the engine idles smoothly (Fig. 24).
3. If the engine is idling too quickly, turn the idle speed screw counterclockwise, 1/8 of a turn at a time (as needed) to reduce the idle speed (Fig. 24).

Checking the fuel, cleaning the air filter, and adjusting the idle speed should solve most engine problems. If not, and any of the following conditions are true, take the unit to a Sears or other qualified service dealer:

- the engine will not idle
- the engine hesitates or stalls on acceleration
- there is a loss of engine power

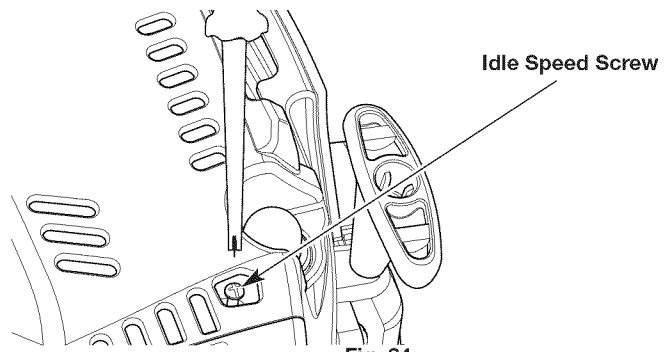


Fig. 24

## MAINTAINING THE SPARK PLUG

1. Stop the engine and allow it to cool. Grasp the spark plug boot firmly and pull it from the spark plug.
2. Clean around the spark plug. Remove the spark plug from the cylinder head with a 5/8-inch socket, turning counterclockwise.



**WARNING:** Do not sand blast, scrape or clean spark plug electrodes. Grit in the engine could damage the cylinder.

3. Inspect the spark plug. If the spark plug is cracked, fouled or dirty, replace it with a replacement part #753-05784, a **Champion RDZ4H** or an equivalent spark plug.
4. Use a feeler gauge to set the air gap at **0.025 in. (0.635 mm)** (Fig. 25).
5. Install the spark plug in the cylinder head. Tighten the spark plug with a 5/8-inch socket, turning it clockwise until snug.

**NOTE:** If using a torque wrench, torque to:

**110-120 in.•lb. (12.3-13.5 N•m). Do not over tighten.**

6. Reattach the spark plug boot.

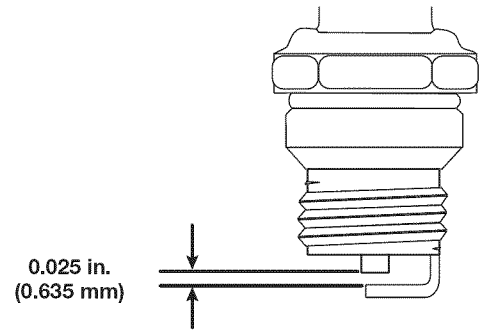


Fig. 25

## CLEANING AND STORAGE

### CLEANING



**WARNING:** To avoid serious personal injury, always stop the engine and allow it to cool before cleaning or maintaining the unit.

Use a small brush to clean the outside of the unit. Do not use strong detergents. Household cleaners that contain aromatic oils such as pine and lemon, and solvents such as kerosene, can damage plastic. Wipe off any moisture with a soft cloth.

### STORAGE

- Never store a fueled unit where fumes may reach an open flame or spark.
- Allow the engine to cool before storing.
- Lock up the unit to prevent unauthorized use or damage.
- Store the unit in a dry, well-ventilated area.
- Store the unit out of the reach of children.

#### Short-term Storage (1-2 weeks)

1. Store the unit in a horizontal position. If this is not possible, store the unit vertically with the engine at the top.

#### Long-term Storage

1. Remove the fuel cap, tip the unit and drain the fuel into an approved container. Reinstall the fuel cap.
2. Start the engine and allow it to run until it stalls. This ensures that all fuel has been drained from the carburetor.
3. Allow the engine to cool. Remove the spark plug and put 5 drops of any high quality motor oil into the cylinder. Pull the starter rope slowly to distribute the oil. Reinstall the spark plug.
4. Thoroughly clean the unit and inspect it for any loose or damaged parts. Repair or replace damaged parts and tighten loose screws, nuts or bolts.

#### Preparing the Unit for Use after Long-term Storage

1. Remove the spark plug and drain all of the oil from the cylinder.
2. Change the oil. Refer to *Changing the Oil*.

**NOTE:** Do not use fuel that has been stored for more than 30 days. Dispose of old fuel according to federal, state and local regulations.

## TROUBLESHOOTING

PROBLEM	SOLUTION
<b>THE ENGINE WILL NOT START</b>	
The fuel tank is empty	Fill the fuel tank with fresh fuel
The primer bulb was not pressed enough	Press the primer bulb 10 times or until fuel is visible
The fuel is old (over 30 days)	Drain the fuel tank and add fresh fuel
The spark plug is fouled	Replace the spark plug
The cold weather start lever is in the closed position	Move the cold weather start lever to the open position
<b>THE ENGINE WILL NOT IDLE</b>	
The air filter is dirty	Clean or replace the air filter
The fuel is old (over 30 days)	Drain the fuel tank and add fresh fuel
The idle speed is incorrect	Adjust the idle speed
<b>THE ENGINE WILL NOT ACCELERATE</b>	
The fuel is old (over 30 days)	Drain the fuel tank and add fresh fuel
The cutting head is bound with grass	Stop the engine and clean the cutting head
The air filter is dirty	Clean or replace the air filter
<b>THE ENGINE LACKS POWER OR STALLS</b>	
The fuel is old (over 30 days)	Drain the fuel tank and add fresh fuel
The air filter is dirty	Clean or replace the air filter
The spark plug is fouled	Replace the spark plug

## NEED MORE HELP?

You'll find the answer and more on [managemylife.com](http://managemylife.com) – for free!

- Find this and all your other product manuals online.
- Get answers from our team of home experts.
- Get a personalized maintenance plan for your home.
- Find information and tools to help with home projects.



brought to you by Sears

## REPAIR PROTECTION AGREEMENTS

*Congratulations on making a smart purchase.* Your new Craftsman® product is designed and manufactured for years of dependable operation. But like all products, it may require repair from time to time. That's when having a Repair Protection Agreement can save you money and aggravation.

### **Here's what the Repair Protection Agreement\* includes:**

- ☑ **Expert service** by our 10,000 professional repair specialists
- ☑ **Unlimited service and no charge** for parts and labor on all covered repairs
- ☑ **Product replacement** up to \$1500 if your covered product can't be fixed
- ☑ **Discount of 25%** from regular price of service and related installed parts not covered by the agreement; also, 25% off regular price of preventive maintenance check
- ☑ **Fast help by phone** – we call it Rapid Resolution - phone support from a Sears representative. Think of us as a “talking owner’s manual.”

Once you purchase the Repair Protection Agreement, a simple phone call is all that it takes for you to schedule service. You can call anytime day or night, or schedule a service appointment online.

The Repair Protection Agreement is a risk-free purchase. If you cancel for any reason during the product warranty period, we will provide a full refund. Or, a prorated refund anytime after the product warranty period expires. Purchase your Repair Protection Agreement today!

**Some limitations and exclusions apply. For prices and additional information in the U.S.A. call 1-800-827-6655.**

**\*Coverage in Canada varies on some items. For full details call Sears Canada at 1-800-361-6665.**

### **Sears Installation Service**

*For Sears professional installation* of home appliances, garage door openers, water heaters, and other major home items, in the U.S.A. or Canada call **1-800-4-MY-HOME**.



# Manual del Operador

# CRAFTSMAN®

## Motor de 4 tiempos

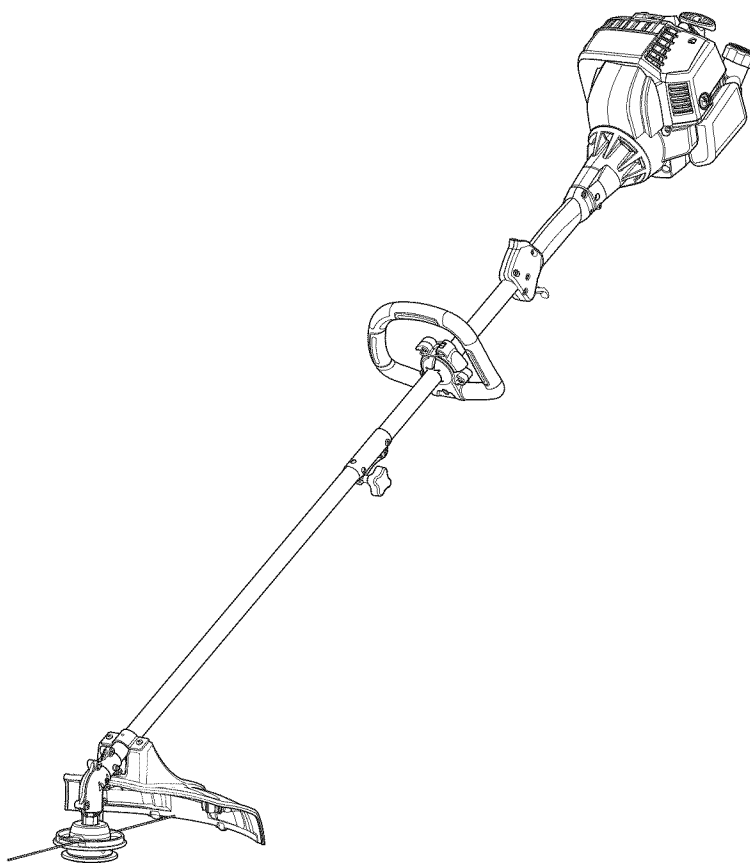
## Con Posibilidad de Arranque Eléctrico

## RECORTADOR WEEDWACKER® A GASOLINA

Modelo No. 316.731930



**INCREDI-PULL™**  
UNBELIEVABLE STARTING EASE™



**PRECAUCIÓN:** Antes de utilizar, este producto lea este manual y siga todas las reglas de seguridad e instrucciones de operación.

- SEGURIDAD
- ENSAMBLAJE
- OPERACIÓN
- MANTENIMIENTO
- LISTA DE PIEZAS

Sears Brands Management Corporation, Hoffman Estates, IL 60179 U.S.A.

Visite nuestro sitio web: [www.craftsman.com](http://www.craftsman.com)

## ÍNDICE

Seguridad .....	24
Garantía .....	28
Conozca su unidad .....	29
Especificaciones .....	29
Montaje .....	30
Aceite y combustible .....	32
Arranque y detención .....	34
Funcionamiento .....	36
Mantenimiento .....	37
Limpieza y almacenamiento .....	42
Solución de Problemas .....	43
Convenio de protección de reparación .....	44
Lista de piezas .....	46
Números de servicio .....	Contraportada


Toda la información, las ilustraciones y las especificaciones que se incluyen en el presente manual se basan en la información más reciente sobre el producto disponible al momento de la impresión. Nos reservamos el derecho a realizar cambios en cualquier momento sin previo aviso.


© Sears Brands, LLC


## SEGURIDAD

El objetivo de los símbolos de seguridad es dirigir su atención hacia posibles peligros. Los símbolos de seguridad, así como sus explicaciones, necesitan su atención y comprensión completas. Las advertencias de seguridad no eliminan por sí mismas ningún peligro. Las instrucciones o advertencias que contienen no reemplazan a las medidas adecuadas de prevención de accidentes.

### SÍMBOLOS SIGNIFICADO

 **PELIGRO:** Indica un peligro EXTREMO.  
Si no se cumple una advertencia de seguridad de **PELIGRO** usted mismo u otras personas sufrirán lesiones graves o la muerte.

 **ADVERTENCIA:** Indica un peligro GRAVE.  
Si no se cumple una **ADVERTENCIA** de seguridad usted mismo u otras personas **PUEDEN** sufrir lesiones graves.

 **PRECAUCIÓN:** Indica un peligro de GRAVEDAD MODERADA.  
Si no se cumple una señal de seguridad de **PRECAUCIÓN** usted mismo o a otras personas **PUEDEN** sufrir lesiones o se **PUEDEN** producir daños materiales.

**NOTA:** Proporciona información o instrucciones de vital importancia para el funcionamiento o el mantenimiento del equipo.

### NOTA SOBRE EL AMORTIGUADOR DE CHISPAS

**NOTA: Para usuarios de los territorios de bosques de EE. UU. y de los estados de California, Maine, Oregon y Washington.**

Todos los territorios de bosques de EE. UU. y los estados de California (Códigos de Recursos Públicos 4442 y 4443), Oregon y Washington exigen por ley, que determinados motores de combustión interna que se operan en zonas cubiertas por malezas de bosque y/o hierbas cuenten con un amortiguador de chispas que se deberá mantener en condiciones de uso adecuadas o que el motor se diseñe, equipe y mantenga para prevenir incendios. Corrobore con las autoridades estatales o locales cuáles son las normativas correspondientes a dichas exigencias. El incumplimiento de dichos requerimientos podría generarle una responsabilidad o una multa. **La presente unidad se equipa en la fábrica con un amortiguador de chispas.** El reemplazo requiere la pieza **No. 753-08052 del conjunto del silenciador**, instalada en un Centro de Piezas y Servicio de Reparaciones de Sears.



### PROPOSICIÓN 65 DE CALIFORNIA

**ADVERTENCIA:** El escape del motor de este producto, algunos de sus componentes y algunos componentes terminados contienen o liberan sustancias químicas que el estado de California considera que pueden producir cáncer, defectos de nacimiento u otros problemas reproductivos. Lávese las manos después de estar en contacto con estos componentes.

**Lea el manual del operador y siga todas las advertencias e instrucciones de seguridad. Si no lo hace, el operador y/o los observadores pueden sufrir lesiones graves.**



## • INSTRUCCIONES DE SEGURIDAD IMPORTANTES •

### LEA TODAS LAS INSTRUCCIONES ANTES DE USAR LA UNIDAD



**ADVERTENCIA:** Se deben respetar todas las normas de seguridad al usar la unidad. Por favor, lea estas instrucciones antes de utilizar la unidad para garantizar la seguridad del operador y los observadores. Por favor, guarde estas instrucciones para su uso posterior.

- Lea las instrucciones con atención. Debe familiarizarse con los controles y con el uso apropiado de la unidad.
- No opere esta unidad si está cansado, enfermo o bajo la influencia de alcohol, drogas o medicamentos.
- La unidad no debe ser utilizada por niños. Los adolescentes deben contar con la compañía y guía de un adulto.
- Se deben instalar correctamente todos los protectores y accesorios de seguridad antes de operar la unidad.
- Inspeccione la unidad antes de usarla. Reemplace las piezas dañadas. Compruebe si hay pérdidas de combustible. Compruebe que todas las sujeciones estén en su lugar y bien ajustadas. Reemplace las piezas que estén agrietadas, astilladas o dañadas de cualquier manera. No utilice la unidad si hay piezas sueltas o dañadas.
- Use únicamente el hilo de recorte que se describe en la sección *Especificaciones* de este manual. Nunca use un hilo, un cable, una cadena o una cuerda de metal reforzados. Podrían separarse y convertirse en proyectiles peligrosos.
- Tenga en cuenta el riesgo de lesiones en la cabeza, las manos y los pies.
- Inspeccione el área con atención antes de arrancar la unidad. Extraiga las rocas, los vidrios rotos, los clavos, los cables, cordeles y demás objetos que podrían ser arrojados o enredarse en la unidad.
- Despeje la zona de niños, observadores y mascotas; manténgalos fuera de un radio de 50 pies (15 m), como mínimo. Incluso a esa distancia, sigue el riesgo de ser alcanzados por los objetos arrojados por el aire. Sugiera a los observadores que usen protección ocular. Si alguien se le aproxima, detenga la unidad de inmediato.
- Apriete el control del acelerador y verifique que vuelva automáticamente a la posición de ralentí. Realice todos los ajustes o las reparaciones antes de usar la unidad.

### ADVERTENCIAS DE SEGURIDAD PARA LAS UNIDADES A GASOLINA



**ADVERTENCIA:** La gasolina es sumamente inflamable y sus vapores pueden explotar si se encienden. Adopte las siguientes precauciones:

- Almacene el combustible únicamente en recipientes diseñados específicamente y aprobados para el almacenamiento de dichos materiales.
- Detenga siempre el motor y déjelo enfriar antes de llenar el depósito. Nunca retire la tapa del depósito de combustible ni agregue combustible cuando el motor esté caliente. Afloje siempre lentamente la tapa del depósito de combustible para descargar la presión que haya en el depósito antes de recargar combustible.
- Agregue siempre combustible en una zona al aire libre, limpia y bien ventilada, en la que no haya chispas ni llamas. NO fume.
- Nunca opere la unidad si la tapa del combustible no está bien sujeta en su lugar.

- Evite que se genere una fuente de encendido para el combustible derramado. Limpie de inmediato el combustible derramado de la unidad, antes de encenderla. Mueva la unidad al menos 30 pies (9.1m) de la fuente de combustible y del sitio antes de arrancar el motor. NO fume.
- Nunca arranque ni use la unidad dentro de una habitación o de una construcción cerrada. La inhalación de humos de escape puede ser mortal. Opere esta unidad únicamente en una zona bien ventilada, al aire libre.

### DURANTE LA OPERACIÓN

- Utilice anteojos o antiparras de seguridad que cumplan con las normas ANSI Z87.1 vigentes y que tengan la identificación correspondiente. Utilice una protección auditiva al operar esta unidad. Utilice una máscara facial o para polvos si la máquina levanta polvo durante su funcionamiento.
- Use pantalones largos y gruesos, botas, guantes y camisa de mangas largas. No use ropa holgada, alhajas, pantalones cortos, sandalias ni ande descalzo. Sujétese el cabello a nivel de los hombros.
- El protector del cabezal de corte siempre debe estar colocado mientras se opera la unidad. No utilice la unidad si no están extendidos ambos hilos de recorte y si no está instalado el hilo adecuado. No extienda el hilo de recorte más allá de la longitud del protector.
- Esta unidad tiene un embrague. El cabezal de corte permanece fijo cuando el motor está en ralentí. De no hacerlo, lleve la unidad a Sears o a otro distribuidor de servicio calificado para su ajuste.
- Ajuste la manija para que brinde el mejor agarre.
- Compruebe que el accesorio no esté en contacto con nada antes de poner en marcha la unidad.
- Use la unidad solamente con luz de día o con una buena luz artificial.
- Evite arranques accidentales. Permanezca en la posición de arranque siempre que tire de la cuerda de arranque. El operador y la unidad deben estar en una posición estable durante el arranque. Consulte *Arranque y Parada*.
- Utilice la herramienta apropiada. Use esta herramienta sólo para el propósito para el que fue diseñada.
- Sostenga siempre la unidad con ambas manos durante la operación. Sostenga firmemente ambas manijas o empuñaduras.
- No se extienda demasiado. Siempre debe estar bien afirmado y mantener el equilibrio adecuado. Tenga cuidado al trabajar en pendientes o inclinaciones empinadas.
- Mantenga las manos, el rostro y los pies alejados de todas las piezas móviles. No toque ni intente detener las piezas móviles.
- No toque el motor, el alojamiento del engranaje ni el silenciador. Estas partes se ponen extremadamente calientes por el funcionamiento, incluso después de que se apaga la unidad.
- No opere la unidad a una velocidad mayor a la necesaria para la tarea. No haga funcionar la unidad a alta velocidad cuando no está en uso.
- No exija demasiado a la unidad. Si se usa a la velocidad para la que fue diseñada, realizará un trabajo más eficiente y seguro.
- Detenga siempre la unidad cuando la operación esté demorada o cuando camine de un lugar a otro.
- Si golpea un objeto extraño o si éste se engancha en la unidad, deténgala de inmediato y controle si se produjeron daños. No utilice la unidad hasta haber reparado el daño. No utilice la unidad si hay piezas sueltas o dañadas.
- Apague el motor y desconecte la bujía para realizar tareas de mantenimiento o reparación.

- Utilice solamente las piezas de repuesto y accesorios del fabricante original (OEM) que se listan en la sección *Lista de piezas* de este manual. Si usa cualquier otra pieza o accesorio, el usuario podría lesionarse gravemente o la unidad podría dañarse y se anularía la garantía.
- Mantenga limpia la unidad. Quite con cuidado cualquier resto de vegetación u otros residuos que puedan bloquear las piezas móviles.
- A fin de reducir el riesgo de incendio, reemplace el silenciador y el amortiguador de chispas si están averiados. Mantenga el motor y el silenciador libres de hierbas, hojas y de la acumulación excesiva de grasa o de carbono.
- Si la unidad comienza a vibrar en forma anormal, deténgala de inmediato. Inspeccione la unidad para determinar la causa de la vibración. La vibración por lo general indica que hay algún problema.

## OTRAS ADVERTENCIAS DE SEGURIDAD

- Todas las tareas de reparación, con excepción de los procedimientos de mantenimiento que se describen en este manual, deben ser realizados por un distribuidor de Sears u otro distribuidor de servicio autorizado.
- Antes de inspeccionar, limpiar, guardar o transportar la unidad, o de hacer tareas de reparación o mantenimiento o reemplazar alguna de sus piezas:
  1. Detenga la unidad.
  2. Asegúrese de que se hayan detenido todas las piezas móviles.
  3. Deje que la unidad se enfríe.
  4. Desconecte el cable de la bujía.
- Sujete la unidad durante el transporte.
- Nunca almacene la unidad con combustible en el depósito, en el interior de una construcción donde las emanaciones puedan alcanzar una llama abierta (luces piloto, etc.) o chispas (interruptores, motores eléctricos, etc.).
- Almacene la unidad en un lugar seco, asegurada o a una altura que evite que se la use sin autorización o se la dañe. Mantenga la unidad lejos del alcance de los niños.
- Nunca rocíe ni arroje chorros de agua ni de ningún otro líquido a la unidad. Mantenga las manijas secas, limpias y sin residuos. Limpie la unidad luego de cada uso. Consulte *Limpieza y almacenamiento*.
- Guarde estas instrucciones. Consúltelas con frecuencia y úselas para capacitar a otros usuarios. Si le presta esta unidad a otras personas, también debe prestarles estas instrucciones.

## GUARDE ESTAS INSTRUCCIONES

• SÍMBOLOS INTERNACIONALES Y DE SEGURIDAD •

Este manual del operador describe símbolos de seguridad e internacionales, así como pictogramas, que pueden aparecer en este producto. Lea el manual del operador para obtener información completa sobre seguridad, montaje, funcionamiento, mantenimiento y reparaciones.

SÍMBOLOS SIGNIFICADO

	<p>• <b>SÍMBOLO DE ALERTA DE SEGURIDAD</b> Indica peligro, advertencia o precaución. Puede utilizarse junto con otros símbolos o pictogramas.</p>
	<p>• <b>LEA EL MANUAL DEL OPERADOR</b> <b>ADVERTENCIA :</b> Lea el (los) manual(es) del operador y cumpla todas las advertencias e instrucciones de seguridad. Si no lo hace, el operador y/o los observadores pueden sufrir lesiones graves.</p>
	<p>• <b>UTILICE PROTECCIÓN OCULAR Y AUDITIVA</b> <b>ADVERTENCIA:</b> Los objetos que son arrojados por el aire y los ruidos fuertes pueden provocar graves lesiones oculares y pérdidas de audición. Cuando opere esta unidad, utilice protección ocular que cumpla con las normas ANSI Z87.1 vigentes y protectores auditivos. Utilice una máscara que cubra todo el rostro si es necesario.</p>
	<p>• <b>COMBUSTIBLE SIN PLOMO</b> Utilice siempre combustible limpio, nuevo y sin plomo.</p>
	<p>• <b>ACEITE</b> Consulte el manual del operador para conocer el tipo adecuado de aceite.</p>
	<p>• <b>NO UTILICE COMBUSTIBLE E85 EN ESTA UNIDAD</b> <b>ADVERTENCIA:</b> Se ha demostrado que el combustible que contiene más de un 10% de etanol es probable que dañe este motor y anule la garantía.</p>

SÍMBOLOS SIGNIFICADO

	<p>• <b>APAGADO/ENCENDIDO DE CONTROL DE PARADA</b> ENCENDIDO / ARRANQUE / MARCHA</p>
	<p>• <b>APAGADO/ENCENDIDO DE CONTROL DE PARADA</b> APAGADO o PARADA</p>
	<p>• <b>BULBO DEL CEBADOR</b> Presione por completo el bulbo del cebador lentamente 10 veces.</p>
	<p>• <b>LOS OBJETOS QUE SON ARROJADOS POR EL AIRE Y EL CORTADOR GIRATORIO PUEDEN PROVOCAR LESIONES GRAVES</b> <b>ADVERTENCIA:</b> Es posible que se arrojen objetos pequeños por el aire a alta velocidad, lo cual puede provocar lesiones. Manténgase alejado del rotor giratorio.</p>
	<p>• <b>MANTENGA ALEJADOS A LOS OBSERVADORES</b> <b>ADVERTENCIA:</b> Mantenga a todos los observadores, especialmente a los niños y las mascotas, al menos a 50 pies (15 m) de la zona de trabajo.</p>
	<p>• <b>SUPERFICIE CALIENTE</b> <b>ADVERTENCIA:</b> No toque el silenciador o el cilindro cuando estén calientes. Puede quemarse. Estas piezas se calientan extremadamente durante el funcionamiento. Una vez apagadas, continúan calientes durante un período breve.</p>
	<p>• <b>CUCHILLA AFILADA</b> <b>ADVERTENCIA:</b> Hay una cuchilla afilada en el protector del accesorio de recorte. A fin de evitar lesiones graves, no toque la cuchilla de corte del hilo.</p>

## GARANTÍA

### GARANTÍA TOTAL POR DOS AÑOS CRAFTSMAN

Este producto se garantiza POR DOS AÑOS a partir de la fecha de compra, contra cualquier defecto de materiales o mano de obra. Un producto defectuoso se reparará sin costo alguno o se reemplazará si no es posible repararlo.

### GARANTÍA LIMITADA ADICIONAL para los EJES DEL CORTADOR

A PARTIR DEL TERCER Y HASTA EL DÉCIMO AÑO desde la fecha de compra, el cuerpo externo de metal de los ejes superior e inferior del cortador están garantizados contra defectos de materiales o fabricación. Se proporcionará un cuerpo nuevo gratis con la presentación del comprobante de compra. Es su responsabilidad cubrir el costo de mano de obra de instalación. Esta cobertura adicional no se aplica a los componentes internos del eje de la cortadora.

**Para conocer los detalles de la cobertura de garantía para la reparación o reemplazo gratuitos, visite el sitio web: [www.craftsman.com](http://www.craftsman.com)**

**Esta garantía cubre SOLAMENTE defectos de materiales o mano de obra. La cobertura de garantía NO incluye:**

- Los componentes consumibles que se desgasten debido al uso normal dentro del período de garantía como líneas de corte, bujías o filtros.
- Los daños al producto a consecuencia de intentos de modificación o reparación del usuario u ocasionados por accesorios del producto.
- Las reparaciones necesarias por un accidente o por no operar o mantener el producto de acuerdo con todas las instrucciones suministradas.
- El mantenimiento preventivo ni las reparaciones necesarias debido a una mezcla incorrecta de combustible o a al uso de un combustible viejo o contaminado.

Esta garantía se anula si el producto en algún momento se utiliza para prestar servicios comerciales o se alquila a otra persona.

Esta garantía le confiere a usted derechos legales específicos y usted puede tener, además, otros derechos que difieren de un estado a otro.

Sears Brands Management Corporation, Hoffman Estates, IL 60179

**Para ordenar refacciones o agendar mantenimiento para este producto, llame a 1-800-469-4663.**

## CONOZCA SU UNIDAD

### APLICACIONES

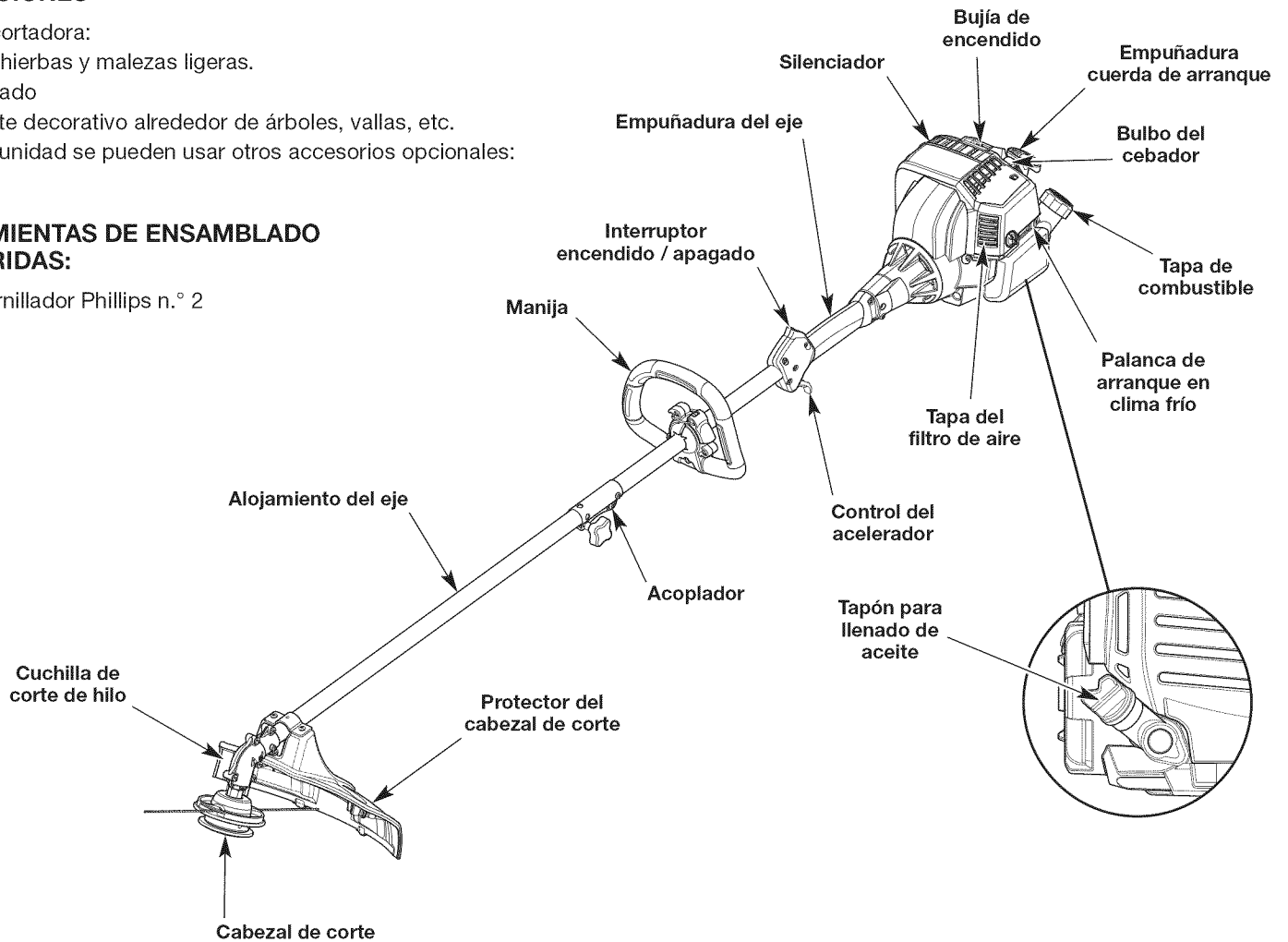
Como recortadora:

- Corta hierbas y malezas ligeras.
- Bordeado
- Recorte decorativo alrededor de árboles, vallas, etc.

Con esta unidad se pueden usar otros accesorios opcionales:

### HERRAMIENTAS DE ENSAMBLADO REQUERIDAS:

- Destornillador Phillips n.º 2



## ESPECIFICACIONES\*

Tipo de motor .....	Refrigerado por aire, de 4 ciclos
Desplazamiento .....	32 cc (1.95 pulgadas cúbicas)
Separación de las bujías .....	0.025 pulgadas (0.635 mm)
Bujía de encendido .....	Champion® RDZ4H o bujía equivalente
Lubricación .....	Aceite SAE 30
Capacidad de aceite del cárter .....	2.03 onzas (60 ml)
Capacidad del depósito de combustible .....	12 onzas (355 ml)
Peso aproximado de la unidad (sin combustible, con el cabezal de corte, con protector del cabezal de corte y la empuñadura) .....	13 - 14 libras (5.9 - 6.4 kg)
Mecanismo de recorte .....	Cabezal Hassle Free™
Línea de Corte .....	Línea Espiral Hassle Free™ XTRA QUIET
Diámetro de la senda de corte .....	14 pulgadas (35.56 cm)

\* Todas las especificaciones están basadas se basan en la información más reciente sobre el producto disponible al momento de la impresión. Nos reservamos el derecho a realizar cambios en cualquier momento sin previo aviso.

## INSTALACIÓN DEL PROTECTOR DEL CABEZAL DE CORTE



**ADVERTENCIA:** Para evitar lesiones personales graves, no opere nunca la unidad sin el protector del cabezal de corte colocado.

Si el protector del cabezal de corte no está instalado, siga las instrucciones a continuación. Siga solamente las instrucciones que correspondan al tipo de eje y protector con que está equipada esta unidad.

1. Coloque el protector del cabezal de corte en el soporte de montaje. Alinee los orificios del protector del cabezal de corte con los del soporte de montaje. (Fig. 1)
2. Enrosque los 2 tornillos en el soporte de montaje y el protector del cabezal de corte apretándolos con la mano.
3. Apriete los tornillos con un destornillador Phillips #2 hasta que el protector quede firme en su lugar. Apriete los tornillos con la misma presión. La separación entre el soporte de montaje y el protector del cabezal de corte deberá ser la misma a cada lado.

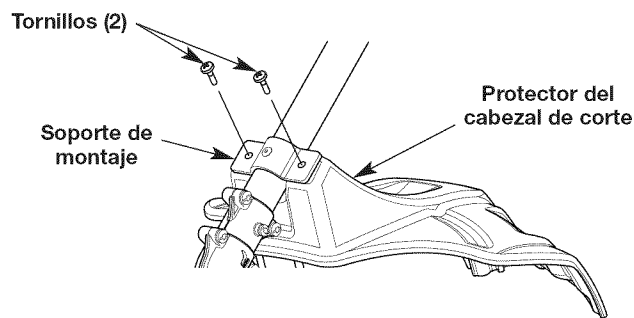


Fig. 1

## AJUSTE DE LA MANIJA

Si la manija requiere ajustes:

1. Voltee la palanca de la manija hacia arriba para aflojarla (Fig. 2).
2. Mientras sujeta la unidad en la posición de funcionamiento (Fig. 13), desplace la manija hasta la ubicación que le ofrece el mejor agarre. Ubíquela como mínimo a 6 pulgadas (15.24 cm) del extremo de la empuñadura del eje (Fig. 2).
3. Inclíne la manija como desee (Fig. 2).
4. Voltee la palanca de la manija para fijar la abrazadera.

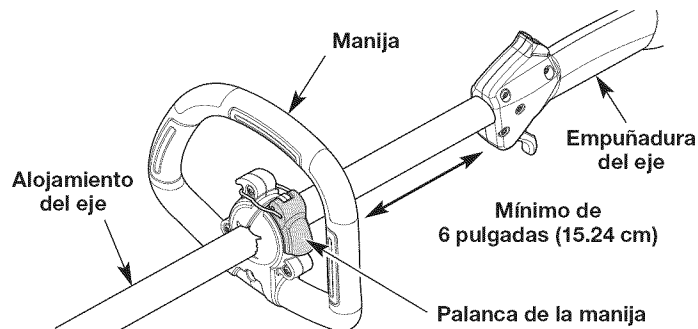


Fig. 2

## FUNCIONAMIENTO DEL ACOPLADOR

El acoplador permite el uso de varios accesorios opcionales.



**ADVERTENCIA:** Antes de comenzar a utilizar cualquiera de los accesorios, lea y comprenda el manual que viene con dicho accesorio. Tenga en cuenta toda la información de seguridad que incluye.



**ADVERTENCIA:** A fin de evitar lesiones personales graves y daños a la unidad, apáguela antes de extraer o instalar un accesorio.

**NOTA:** Para facilitar la instalación o la extracción de los accesorios, ubique la unidad en el suelo o sobre un banco de trabajo.

### Instalación del accesorio

**NOTA:** Retire la tapa de protección y el espaciador gris de los ejes superior e inferior antes de ensamblar el accesorio.

1. Gire la perilla en el sentido contrario a las agujas del reloj para aflojarla (Fig. 3).
2. Mientras sujeta con firmeza el accesorio, empújelo en línea recta dentro del acoplador hasta que el botón de liberación entre a presión y quede firme dentro del orificio principal (Fig. 5).

**NOTA:** La alineación del botón de liberación con el embutimiento de guía ayudará en la instalación (Fig. 4).

3. Gire la perilla en el sentido de las agujas del reloj para ajustar (Fig. 3).

**NOTA:** No ajuste demasiado la tuerca (Fig. 4).



**PRECAUCIÓN:** Antes de utilizar esta unidad, asegúrese de que el botón de liberación entre a presión completamente dentro del orificio principal (Fig. 5) y que la perilla (Fig. 3) quede bien ajustada.



**PRECAUCIÓN:** Este botón de liberación debe colocarse a presión solamente en el orificio principal. Si se utiliza un orificio equivocado, se podrían producir lesiones personales o daños a la unidad.

Para un reborde decorativo con un accesorio de recorte, trabe el botón de liberación en el orificio de recorte de bordes de 90° (Fig. 3).

### Extracción del accesorio

1. Gire la perilla en el sentido contrario a las agujas del reloj para aflojarla (Fig. 3).
2. Oprima y mantenga apretado el botón de liberación (Fig. 4).
3. Mientras sujeta firmemente el alojamiento del eje superior, tire del accesorio de manera recta para sacarlo del acoplador (Fig. 5).

Orificio de recorte de bordes de 90°  
(recortadora únicamente)

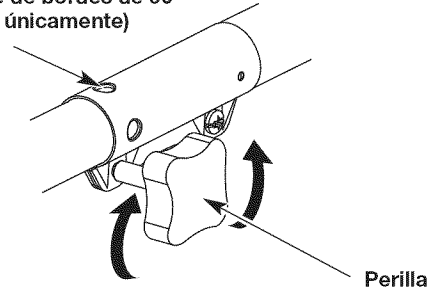


Fig. 3

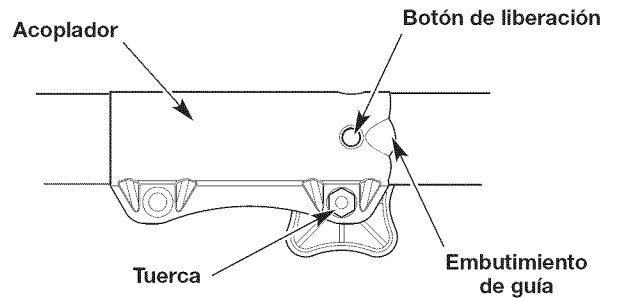


Fig. 4

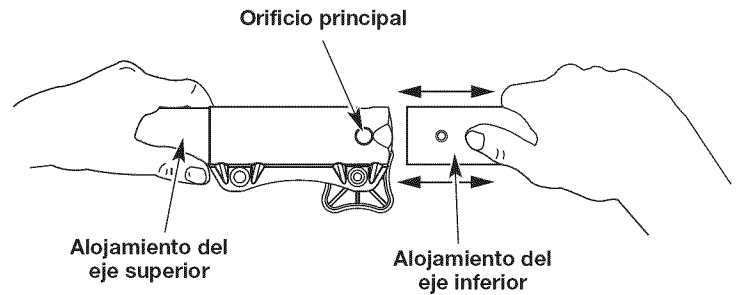


Fig. 5

## USO DEL ACEITE CORRECTO

Use un aceite pesado de alta calidad SAE 30. **NO** utilice aceite sucio. Si no se utiliza aceite limpio del tipo adecuado se puede producir un desgaste y una falla prematura del motor.

## INCORPORACIÓN DE ACEITE: USO INICIAL

	<p><b>ADVERTENCIA:</b> SI SE LLENA EXCESIVAMENTE EL CÁRTER SE PUEDEN PRODUCIR LESIONES PERSONALES GRAVES. Controle el nivel de aceite antes de cada uso. No está de más insistir en la importancia de mantener el nivel de aceite adecuado. Cambie el aceite de acuerdo con el <i>Programa de mantenimiento</i>.</p>
--	--

**NOTA:** Esta unidad se envió sin aceite en el cárter. Se debe agregar aceite antes de arrancar la unidad.

**NOTA:** Esta unidad viene con una botella de aceite de 2.03 onzas líquidas (60 ml).

1. Desenrosque la parte superior de la botella de aceite. Quite el sello de papel. Vuelva a instalar la parte superior de la botella de aceite.
2. Saque la tapa de la botella de aceite. Corte la punta del pico del embudo (Fig. 6).
3. **Coloque la unidad en una superficie plana y nivelada.**
4. Desenrosque el tapón de llenado de aceite (Fig. 7).
5. Vierta todo el contenido de la botella dentro del orificio de llenado de aceite (Fig. 7). **NO** llene el depósito en exceso. Consulte *Control del nivel de aceite*.

**NOTA:** Nunca agregue aceite directamente al depósito de combustible. Esta unidad tiene un motor de cuatro tiempos. **NO** mezcle el aceite con la gasolina.

6. Limpie el aceite que se pueda haber derramado.
7. Vuelva a instalar el tapón de llenado de aceite.

**NOTA:** Compruebe que la junta tórica esté en su lugar en el tapón de llenado de aceite (Fig. 7).

**NOTA:** Guarde la botella de aceite vacía. Utilice la botella para medir la cantidad correcta de aceite en cargas de aceite futuras.

## USO DEL COMBUSTIBLE CORRECTO

El uso de combustible viejo es la causa más frecuente de los problemas de rendimiento. Sólo se debe utilizar gasolina nueva, limpia y sin plomo.

**NOTA:** Esta unidad tiene un motor de cuatro tiempos. **NO** mezcle el aceite con la gasolina.

### Definición de combustibles mezclados

Actualmente los combustibles con frecuencia son una mezcla de gasolina y oxigenatos como etanol, metanol o éter (éter metílico terciario-butílico, MTBE). Los combustibles con mezcla de alcohol absorben el agua. Con tan solo un 1% de agua en el combustible es posible que el combustible y el aceite se separen, formando ácidos cuando se almacenan. SIEMPRE debe usar combustible nuevo (con menos de 30 días de antigüedad).

**NOTA:** Deseche el combustible usado de acuerdo con las normativas federales, estatales y locales.

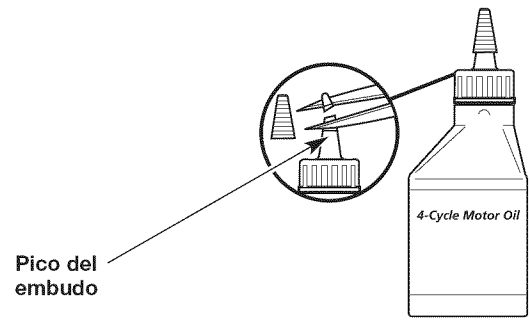


Fig. 6

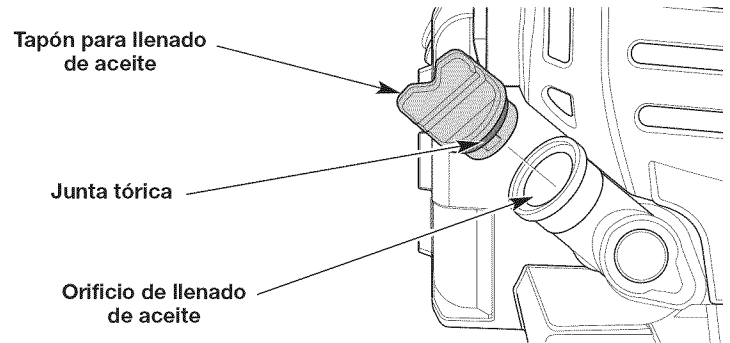


Fig. 7



## Uso de combustibles mezclados

Si utiliza un combustible mezclado:

- Utilice siempre gasolina nueva sin plomo
- Use el aditivo para combustible STA-BIL® u otro equivalente
- Drene el depósito y ponga en marcha el motor en seco antes de almacenar la unidad



### **ADVERTENCIA: NO UTILICE COMBUSTIBLE E85 EN ESTA UNIDAD.**

Se ha demostrado que el combustible que contiene más de un 10% de etanol es probable que dañe este motor y anule la garantía.

## Uso de aditivos para el combustible

Utilice un aditivo para el combustible, como el estabilizador de combustible STA-BIL u otro equivalente, para inhibir la corrosión y minimizar los depósitos de goma. Agregue 0.8 onzas (23 ml) de aditivo para combustible por galón de combustible según las instrucciones del recipiente. NUNCA agregue aditivos para el combustible directamente al depósito de combustible de la unidad.

## CARGA DE COMBUSTIBLE EN LA UNIDAD



**ADVERTENCIA:** La gasolina es extremadamente inflamable. Los vapores encendidos pueden explotar. Detenga siempre el motor y déjelo enfriar antes de llenar el depósito de combustible. No fume mientras llena el depósito. Mantenga las chispas y llamas abiertas a una distancia de la zona.



**ADVERTENCIA:** Retire la tapa del combustible lentamente a fin de evitar lesiones ocasionadas por salpicaduras de combustible. Nunca opere la unidad si la tapa del combustible no está bien sujeta en su lugar.



**ADVERTENCIA:** Agregue combustible en una zona al aire libre, limpia y bien ventilada. Limpie de inmediato la gasolina que se haya derramado. Evite que se genere una fuente de encendido para el combustible derramado. No arranque el motor hasta que se hayan disipado los vapores del combustible.

1. Ubique la unidad con la tapa del combustible orientada hacia arriba.
2. Extraiga la tapa de combustible.
3. Ubique el pico del recipiente de combustible dentro del orificio de llenado del depósito de combustible y llene el depósito.

**NOTA:** No llene en exceso el depósito de combustible.

4. Limpie el combustible que se pueda haber derramado.
5. Vuelva a colocar la tapa del combustible.
6. Mueva la unidad al menos 30 pies (9.1m) del recipiente de combustible y del sitio de carga de combustible antes de arrancar el motor.

## ARRANQUE Y PARADA



**ADVERTENCIA:** Opere esta unidad únicamente en una zona bien ventilada, al aire libre. Los humos de escape de monóxido de carbono pueden ser mortales en un lugar cerrado.



**ADVERTENCIA:** Se debe evitar arrancar accidentalmente la unidad. A fin de evitar que se produzcan lesiones graves, el operador y la unidad deben estar en una posición estable cuando se jala la cuerda de arranque (Fig. 11).

### INSTRUCCIONES DE ARRANQUE

1. Controle el nivel de aceite. Consulte *Control del nivel de aceite*.
2. Cargue el depósito de combustible. Consulte *Carga de combustible en la unidad*.

**NOTA:** No es necesario encender la unidad. El interruptor de encendido/apagado está en la posición ON (1) (encendido) en todo momento (Fig. 8).

**SI HACE FRÍO...** En climas fríos (menos de 40° F), mueva la palanca de arranque en climas fríos hasta la posición “**cerrado**” (Fig. 10). **NO** mueva la palanca de arranque en climas fríos hasta la posición “**cerrado**” si la temperatura es superior a 40° F.

3. Presione y luego suelte el bulbo del cebador lentamente **10 veces** (Fig. 9). Si no puede ver combustible en el bulbo del cebador, oprima y suelte el bulbo del cebador hasta que se vea combustible.
4. Agacharse en la posición de arranque (Fig. 11).
5. **NO** apriete el control del acelerador (Fig. 8). Tire de la cuerda de arranque con un movimiento controlado y firme hasta que arranque la unidad (Fig. 11).

**NOTA:** Esta unidad utiliza el sistema de arranque **INCREDI-PULL™**, que reduce notablemente el esfuerzo necesario para arrancar el motor.

**SI HACE FRÍO...** En climas fríos (menos de 40° F), mueva la palanca de arranque en climas fríos hacia abajo hasta la posición “**abierto**” (Fig. 10).

6. **NO** apriete el control del acelerador. Deje que el motor se caliente durante 60 segundos.
7. Apriete y mantenga apretado el control del acelerador (Fig. 8). Continúe calentando el motor entre 30 y 60 segundos más. Se puede usar la unidad durante este período.

**NOTA:** El motor se calentó adecuadamente cuando acelera sin problemas.

**SI...** el motor no arranca, comience el procedimiento de arranque con el paso 3.

**SI...** el motor se para mientras se aprieta el control del acelerador, comience el procedimiento de arranque con el paso 4.

**SI EL MOTOR ESTÁ CALIENTE...** comience el procedimiento de arranque con el paso 3.

### INSTRUCCIONES DE DETENCIÓN

1. Suelte el control del acelerador y deje que el motor funcione en ralentí.
2. Oprima y mantenga apretado el interruptor de encendido/apagado en la posición OFF (O) (apagado) hasta que el motor se pare por completo (Fig. 8).

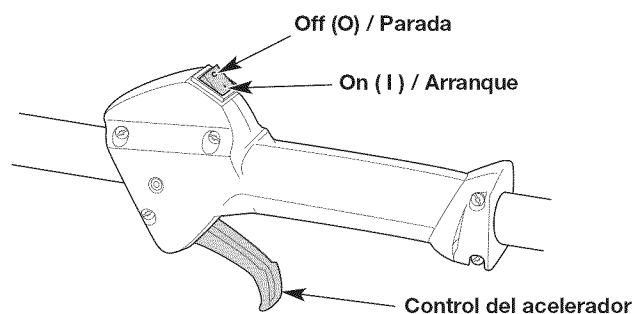


Fig. 8

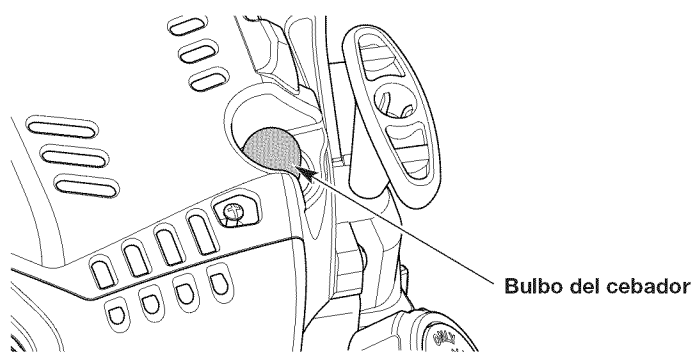


Fig. 9

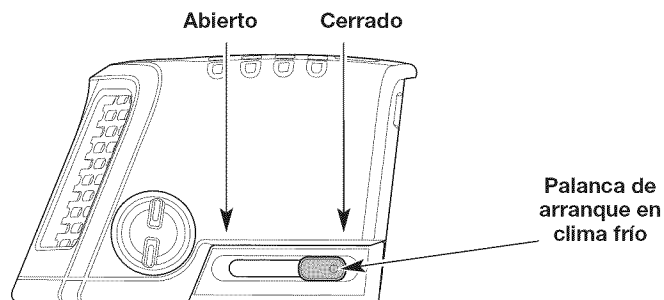


Fig. 10



Fig. 11

Esta unidad se puede arrancar con un accesorio opcional Speed Start™ (los accesorios se venden por separado). Para utilizar correctamente este dispositivo, consulte el manual del operador del accesorio Speed Start™.

Para más información, comuníquese con su distribuidor local Craftsman llamando al **1-800-469-4663** o visite [www.craftsman.com](http://www.craftsman.com).

N.º de artículo	Descripción
316.85951	Arrancador de potencia eléctrico
316.85952	Arrancador de potencia para taladro
316.85953	Arrancador Eléctrico Inalámbrico

## INSTRUCCIONES DE ARRANQUE

1. Controle el nivel de aceite. Consulte *Control del nivel de aceite*.
2. Cargue el depósito de combustible. Consulte *Carga de combustible en la unidad*.

**NOTA:** No es necesario encender la unidad. El interruptor de encendido/apagado está en la posición ON (I) (encendido) en todo momento (Fig. 8).

**SI HACE FRÍO...** En climas fríos (menos de 40° F), mueva la palanca de arranque en climas hasta la posición “**cerrado**” (Fig. 10). **NO** mueva la palanca de arranque en climas fríos hasta la posición “**cerrado**” si la temperatura es superior a 40° F.

3. Presione y luego suelte el bulbo del cebador lentamente **10 veces** (Fig. 9). Si no puede ver combustible en el bulbo del cebador, oprima y suelte el bulbo del cebador hasta que se vea combustible.
4. Agacharse en la posición de arranque (Fig. 11).
5. Inserte el accesorio Speed Start™ en el puerto Speed Start™ (Fig. 12). Consulte la sección *Funcionamiento* del manual del operador del accesorio Speed Start™.
6. **NO** apriete el control del acelerador (Fig. 8). Haga funcionar el accesorio Speed Start™ en intervalos de no más de 2 segundos cada vez hasta que arranque la unidad.
7. Retire el accesorio Speed Start™ de la unidad.

**SI HACE FRÍO...** En climas fríos (menos de 40° F), mueva la palanca de arranque en climas fríos nuevamente hasta la posición “**abierto**” (Fig. 10).

8. **NO** apriete el control del acelerador. Deje que el motor se caliente durante 60 segundos.
9. Apriete y mantenga apretado el control del acelerador (Fig. 8). Continúe calentando el motor entre 30 y 60 segundos más. Se puede usar la unidad durante este período.

**NOTA:** El motor se calentó adecuadamente cuando acelera sin problemas.

**SI...** el motor no arranca, comience el procedimiento de arranque con el paso 3.

**SI...** el motor se para mientras se aprieta el control del acelerador, comience el procedimiento de arranque con el paso 4.

**SI EL MOTOR ESTÁ CALIENTE...** comience el procedimiento de arranque con el paso 3.

## INSTRUCCIONES DE DETENCIÓN

1. Suelte el control del acelerador y deje que el motor funcione en ralentí.
2. Oprima y mantenga apretado el interruptor de encendido/apagado en la posición OFF (O) (apagado) hasta que el motor se pare por completo (Fig. 8).

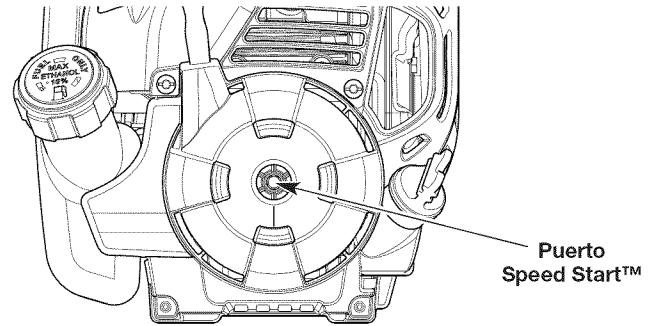


Fig. 12

## SOSTENER LA RECORTADORA



**ADVERTENCIA:** Al operar esta unidad, lleve siempre puesta protección para los ojos, oídos, pies y cuerpo a fin de reducir el riesgo de lesiones.

- Párese en la posición de operación (Fig. 13).
- Sostenga la empuñadura del eje con la mano derecha. Mantenga el brazo derecho ligeramente flexionado.
- Sujete el mango con la mano izquierda. Mantenga el brazo izquierdo recto.
- Sujete la unidad a la altura de la cintura.
- Sostenga el cabezal de corte paralelo al suelo de modo que haga contacto con la hierba fácilmente, sin necesidad de inclinarse.



Fig. 13

## RECOMENDACIONES PARA LOS MEJORES RESULTADOS AL RECORTAR

- Mantenga el cabezal de corte paralelo al suelo.
- Corte de izquierda a derecha siempre que sea posible. Esto mejora la eficiencia de corte de la unidad y arroja los recortes de yerba lejos del operador.
- No recorte césped húmedo ni maleza.

**NOTA:** La línea puede romperse por lo siguiente:

- Enredarse con materia extraña
- Fatiga normal de la línea
- Intentar cortar vegetación espesa
- Forzar la línea en objetos como paredes o postes de cercas

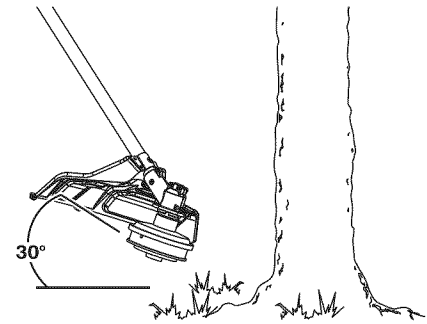


Fig. 14

## RECORTE DECORATIVO

Para hacer un recorte decorativo alrededor de árboles, postes, cercas, etc., gire toda la unidad de manera que el cabezal de corte quede a un ángulo de 30° respecto al suelo (Fig. 14).



**ADVERTENCIA:** Para evitar lesiones graves, nunca realice el mantenimiento ni las reparaciones con la unidad en funcionamiento. Siempre deje que se enfríe la unidad antes de hacer el mantenimiento o las reparaciones de la unidad. Desconecte el cable de la bujía para evitar que la unidad arranque accidentalmente.

## PROGRAMA DE MANTENIMIENTO

Realice estos procedimientos de mantenimiento requeridos con la frecuencia establecida en la tabla. Estos procedimientos también deben realizarse como parte de la afinación estacional.

**NOTA:** Algunos procedimientos de mantenimiento pueden requerir herramientas o habilidades especiales. Si no está seguro de poder llevar a cabo estos procedimientos, lleve la unidad a Sears u otro distribuidor de servicio calificado. Para más información, llame al **1-800-469-4663**.

**NOTA:** Es conveniente que el mantenimiento, reemplazo o reparación de los dispositivos y sistemas de control de emisiones se lleven a cabo en Sears u otro distribuidor de servicio calificado. Para más información, llame al **1-800-469-4663**.

**NOTA:** Lea la declaración de California/EPA que recibió con la unidad para obtener un listado completo de las condiciones y la cobertura para los dispositivos de control de emisiones, tales como los amortiguadores de chispas, el silenciador, el carburador, etc.

FRECUENCIA	MANTENIMIENTO REQUERIDA
Cada 10 horas	<ul style="list-style-type: none"> <li>• Limpie y vuelva a lubricar el filtro de aire. Consulte <i>Mantenimiento del filtro de aire</i>.</li> </ul>
Después de las primeras 10 horas y a las 38 horas	<ul style="list-style-type: none"> <li>• Cambie el aceite. Consulte <i>Cambio de aceite</i>.</li> <li>• Solicite a un distribuidor de servicio que controle la holgura del balancín.</li> <li>• Controle el estado y la separación de la bujía de encendido. Consulte <i>Mantenimiento de la bujía de encendido</i>.</li> </ul>

## CAMBIAR LA LÍNEA DE CORTE

Use solo la línea de corte indicada en la sección *Especificaciones*. Otro tipo de línea de corte podría provocar recalentamiento o falla del motor.



**ADVERTENCIA:** No use nunca la línea reforzada con metal, alambre, cadena o soga. Los mismos pueden desprenderse y convertirse en un proyectil peligroso.

**NOTA:** Cuando use la Línea Espiral Craftsman® Hassle Free™ XTRA QUIET, use la línea que mejor se ajuste al trabajo en cuestión. La línea de tamaño mediano (de color rojo) está concebida para el corte del césped y el desyerbe de malezas pequeñas. La línea de tamaño grande (de color negro) está diseñada para el cortar malezas más grandes y arbustos pequeños.

### Instalación de la Nueva Línea de Corte

1. Quite la línea vieja del cabezal de corte.
2. Use un paño limpio para limpiar la superficie del cabezal de corte. Si el cabezal de corte está muy sucio para aceptar la línea, consulte *Limpiar el Cabezal de Corte*.
3. Inserte los extremos de la línea en los orificios circulares grandes ubicados al costado del cabezal de corte (Fig. 15). Empuje la línea a través de los orificios hasta que ambos extremos salgan de los túneles de colocación (Fig. 16).

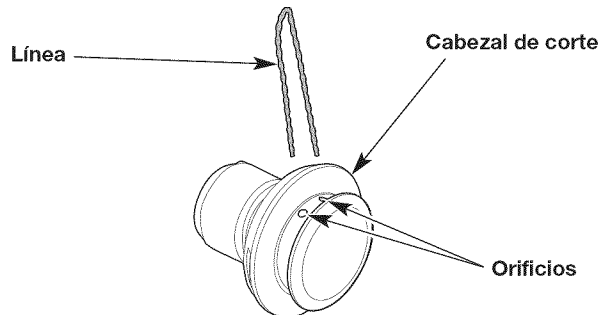


Fig. 15

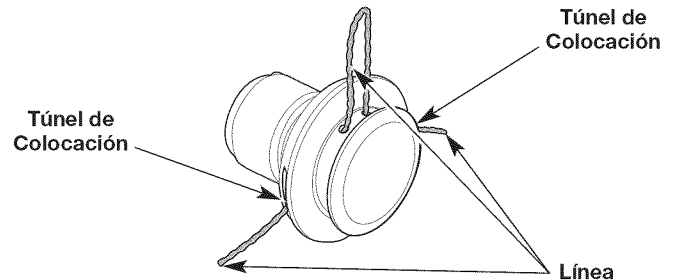


Fig. 16

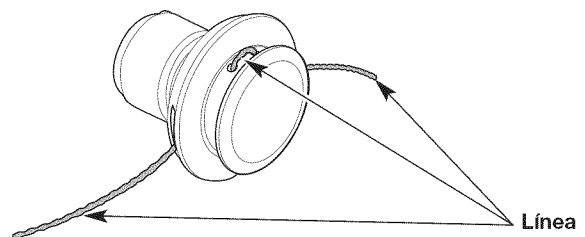


Fig. 17

4. Hale los extremos de la línea hasta que la misma esté apretada contra el cabezal de corte. Asegúrese de que los extremos de la línea sean de igual longitud (Fig. 17).

### Limpeza del Cabezal de Corte

**NOTA:** El cabezal de corte permanecerá fijo a la unidad.

1. Quite la línea vieja del cabezal de corte. La placa deslizante de la línea no se puede quitar si todavía hay línea en el cabezal de corte.
2. Ubique el orificio pequeño en el lateral del cabezal de corte que sostiene la lengüeta negra de traba (Fig. 18). Inserte un destornillador Phillips pequeño y empuje la lengüeta de traba hacia adentro. Al mismo tiempo, hale la placa deslizante de la línea fuera del cabezal de corte.
3. Use un paño limpio para limpiar el interior del cabezal de corte y la plaza deslizante de la línea.
4. Alinee la flecha de la placa deslizante de la línea con la marca "A" en el cabezal de corte (Fig. 18).
5. Empuje la placa deslizante de la línea hacia el cabezal de corte hasta que la lengüeta de traba caiga en su lugar.

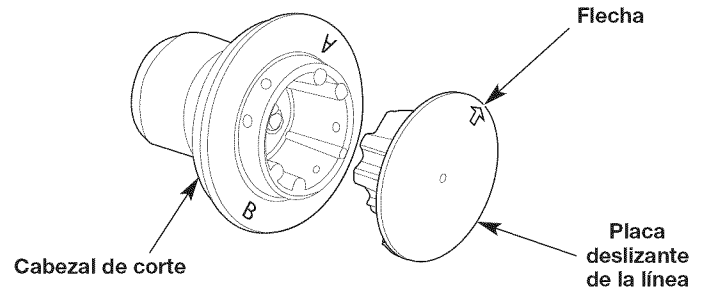


Fig. 18

## CONTROL DEL NIVEL DE ACEITE



**ADVERTENCIA:** SI SE LLENA EXCESIVAMENTE EL CÁRTER SE PUEDEN PRODUCIR LESIONES PERSONALES GRAVES. Controle el nivel de aceite antes de cada uso. No está de más insistir en la importancia de mantener el nivel de aceite adecuado.

### Inspección del visor del nivel de aceite

1. Detenga el motor y deje que se enfríe.
2. **Ubique la unidad sobre una superficie plana y nivelada**, como un banco de trabajo o una mesa. El protector del cabezal de corte debe quedar colgando del borde de manera que el motor quede nivelado (Fig. 19).

**NOTA:** Si no se mantiene nivelado el motor se puede cargar aceite en exceso.

3. Observe el interior del visor del nivel de aceite; use una linterna si es necesario. **El nivel de aceite debe llenar el visor hasta aproximadamente la mitad** (Fig. 20). Si el nivel de aceite es demasiado bajo, agregue aceite. Consulte *Procedimiento para agregar aceite*.

### Procedimiento para agregar aceite

1. Limpie la zona que rodea el tapón de llenado de aceite (Fig. 8) a fin de evitar que ingresen residuos en el orificio de carga de aceite.
2. Desenrosque el tapón de llenado de aceite.
3. Agregue aceite al orificio de llenado de aceite hasta que el nivel de aceite llegue hasta aproximadamente la mitad del visor del nivel de aceite (Fig. 20).

**NOTA:** **NO** llene en exceso el cárter.

4. Limpie el aceite que se pueda haber derramado.
5. Vuelva a instalar el tapón de llenado de aceite.

**NOTA:** Compruebe que la junta tórica esté en su lugar en el tapón de llenado de aceite (Fig. 8).

## CAMBIO DE ACEITE

Cambie el aceite mientras el motor aún está caliente. El aceite fluirá libremente y arrastrará más impurezas.

1. Limpie la zona que rodea el tapón de llenado de aceite (Fig. 8) a fin de evitar que ingresen residuos en el orificio de carga de aceite.
2. Desenrosque el tapón de llenado de aceite.
3. Incline la unidad verticalmente para verter el aceite fuera del orificio de llenado de aceite y al interior del recipiente (Fig. 21). Deje bastante tiempo para que se drene completamente.

**NOTA:** Deseche el aceite viejo de acuerdo con las normativas federales, estatales y locales.

4. Limpie el aceite que se pueda haber derramado.
5. Vierta 2.03 onzas líquidas (60 ml) de aceite SAE 30 dentro del orificio de llenado de aceite.

**NOTA:** **NO** llene el depósito en exceso. Consulte Control del nivel de aceite.

**NOTA:** Use la botella de aceite vacía que guardó después del uso inicial a fin de medir la cantidad correcta de aceite. Llene la botella de aceite hasta la línea de llenado de 2.03 onzas líquidas (60 ml) que aparece indicada en la parte posterior de la botella (Fig. 22).

6. Limpie el aceite que se pueda haber derramado.
7. Vuelva a instalar el tapón de llenado de aceite.

**NOTA:** Compruebe que la junta tórica esté en su lugar en el tapón de llenado de aceite (Fig. 8).

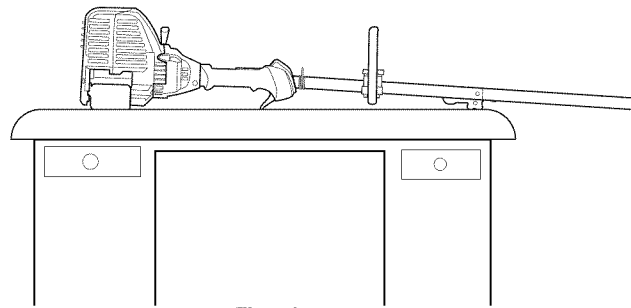


Fig. 19

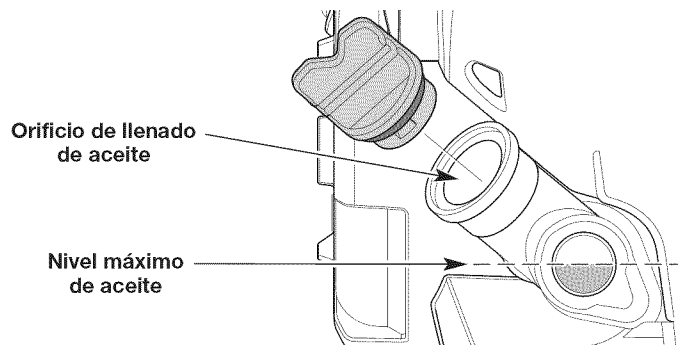


Fig. 20

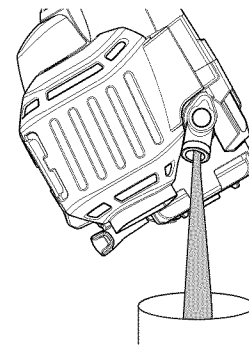


Fig. 21

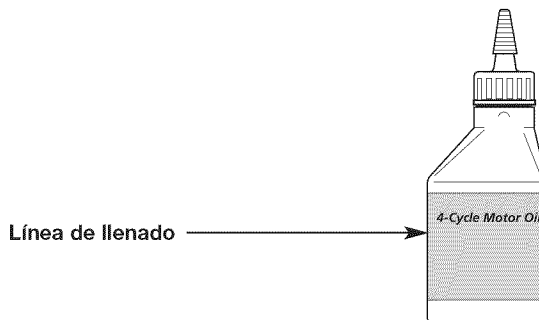


Fig. 22

## MANTENIMIENTO DEL FILTRO DE AIRE



**ADVERTENCIA:** A fin de evitar lesiones personales graves, siempre pare el motor y deje que se enfríe antes de limpiar o mantener la unidad.

Si no se mantiene el filtro de aire se puede obtener un rendimiento insuficiente o se puede dañar el motor de manera permanente. Las averías del motor ocasionadas por un mantenimiento inadecuado del filtro de aire no están cubiertas por la garantía del producto.

### Limpieza del filtro de aire

1. Desenrosque completamente el tornillo de la tapa. Gire la cubierta del filtro de aire hacia la derecha. Extraiga la tapa del filtro de aire del alojamiento de dicho filtro (Fig. 23).
2. Extraiga el filtro de aire de su alojamiento (Fig. 23).
3. Lave el filtro de aire con agua y detergente. Enjuague minuciosamente el filtro de aire y déjelo secar.
4. Cubra el filtro de aire con una capa ligera de aceite SAE 30 limpio.
5. Apriete el filtro de aire para distribuir y eliminar el exceso de aceite.
6. Vuelva a instalar el filtro de aire en su alojamiento (Fig. 23).

**NOTA:** Si se opera la unidad sin el filtro de aire y sin la cubierta del filtro de aire se ANULARÁ la garantía.

7. Inserte la lengüeta sobre la cubierta del filtro de aire dentro del orificio en el alojamiento del filtro de aire. Gire la cubierta del filtro de aire hacia la izquierda. Oprima la tapa del filtro de aire nuevamente en el alojamiento de dicho filtro. Inserte el tornillo de la tapa dentro de la tapa del filtro de aire. Apriete el tornillo de la tapa para sujetar dicha tapa (Fig. 23).

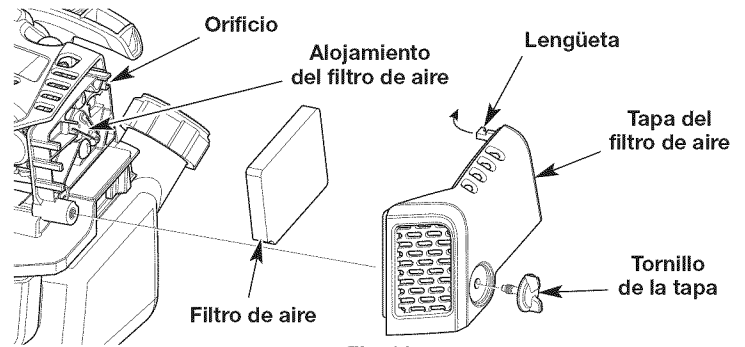


Fig. 23

## AJUSTE DE LA VELOCIDAD DE RALENTÍ



**ADVERTENCIA:** El cabezal de corte puede girar durante los ajustes de la velocidad de ralentí. Utilice vestimenta de protección y respete todas las instrucciones de seguridad para evitar que se produzcan lesiones personales graves.

**NOTA:** Los ajustes que se realizan de manera descuidada pueden dañar gravemente la unidad. Los ajustes del carburador debe hacerlos un distribuidor de Sears u otro distribuidor de servicio calificado.

Si, después de controlar el combustible y limpiar el filtro de aire, el motor sigue sin funcionar al ralentí, ajuste el tornillo de velocidad de ralentí de la siguiente manera:

1. Arranque el motor. Consulte *Arranque y Parada*.
2. Suelte el control del acelerador y deje que el motor funcione en ralentí. Si el motor se para, use un destornillador Phillips pequeño para girar el tornillo de velocidad de ralentí en el sentido de las agujas del reloj, 1/8 de giro cada vez (según sea necesario) hasta que el motor funciona al ralentí de manera uniforme (Fig. 24).
3. Si el motor funciona al ralentí demasiado rápidamente, gire el tornillo de velocidad de ralentí en el sentido contrario a las agujas del reloj, 1/8 de giro cada vez (según sea necesario) para reducir la velocidad de ralentí (Fig. 24).

El control del combustible, la limpieza del filtro de aire y el ajuste de la velocidad de ralentí deben resolver la mayoría de los problemas del motor. De lo contrario, y si está presente alguna de las siguientes condiciones, lleve la unidad a Sears o a otro distribuidor de servicio calificado:

- el motor no funciona al ralentí
- el motor no funciona de manera uniforme o se detiene al acelerar
- existe una pérdida de potencia del motor

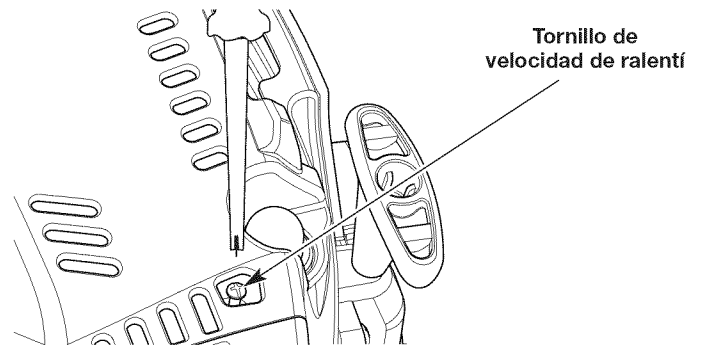


Fig. 24



## MANTENIMIENTO DE LA BUJÍA

1. Detenga el motor y deje que se enfríe. Sujete con firmeza la funda de la bujía y tire para sacarla de la bujía.
2. Limpie alrededor de la bujía. Retire la bujía de la tapa del cilindro con una llave de cubo de 5/8 pulgadas, girando en sentido contrario a las agujas del reloj.



**ADVERTENCIA:** No limpie de forma abrasiva ni raspe o limpie los electrodos de las bujías. La presencia de polvo abrasivo en el motor podría dañar el cilindro.

3. Inspeccione la bujía. Si la bujía está agrietada, averiada o sucia, reemplácela por una pieza de reemplazo n.º **753-05784**, una **Champion RDZ4H** o una bujía equivalente.
4. Use un calibrador de separación para ajustar una separación de aire de **0.025 pulgadas (0.635 mm)** (Fig. 25).
5. Instale la bujía dentro de la tapa del cilindro. Apriete la bujía con una llave de cubo de 5/8 pulgadas, girando en el sentido de las agujas del reloj hasta que quede ajustada.

**NOTA:** Si se usa una llave de par, apriete hasta:

**110-120 pulgada•libra (12.3-13.5 N•m). No ajuste demasiado.**

6. Vuelva a colocar la funda de la bujía.

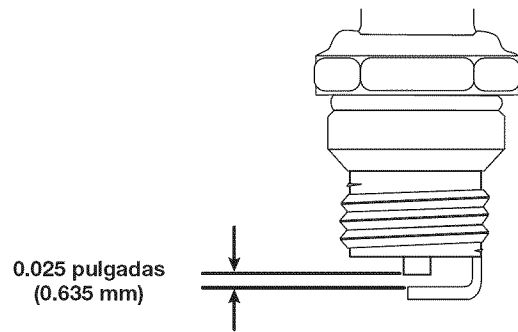


Fig. 25

## LIMPIEZA



**ADVERTENCIA:** A fin de evitar lesiones personales graves, siempre pare el motor y deje que se enfríe antes de limpiar o mantener la unidad.

Use un cepillo pequeño para limpiar el exterior de la unidad. No utilice detergentes fuertes. Los productos de limpieza para el hogar que contienen aceites aromáticos como pino y limón, y los disolventes como el queroseno, pueden dañar el plástico. Limpie todo rastro de humedad con una tela suave.

## ALMACENAMIENTO

- Nunca almacene la unidad con combustible en lugares donde las emanaciones pueden alcanzar llamas abiertas o chispas.
- Deje que se enfríe el motor antes de almacenar la unidad.
- Trabe la unidad para evitar que se la utilice sin permiso o que se provoquen daños.
- Almacene la unidad en una zona seca y bien ventilada.
- Almacene la unidad lejos del alcance de los niños.

### Almacenamiento a corto plazo (1-2 semanas)

1. Almacene la unidad en posición horizontal. Si esto no es posible, almacene la unidad de manera vertical con el motor arriba.

### Almacenamiento a largo plazo

1. Retire la tapa de combustible, incline la unidad y drene el combustible en un recipiente aprobado. Vuelva a colocar la tapa del combustible.
2. Arranque el motor y déjelo correr hasta que se detenga. Esto asegura que todo el combustible se haya drenado del carburador.
3. Deje que el motor se enfríe. Retire la bujía y ponga 5 gotas de un aceite para motor de alta calidad dentro del cilindro. Jale la cuerda de arranque para distribuir el aceite. Coloque nuevamente la bujía.
4. Limpie minuciosamente la unidad e inspeccione si hay alguna pieza suelta o dañada. Repare o reemplace las piezas dañadas y ajuste los tornillos, tuercas o pernos que estén flojos.

### Preparación de la unidad para su uso luego del almacenamiento a largo plazo

1. Retire la bujía y drene todo el aceite del cilindro.
2. Cambie el aceite. Consulte *Cambio de aceite*.

**NOTA:** No use combustible que haya estado guardado durante más de 30 días. Deseche el combustible usado de acuerdo con las normativas federales, estatales y locales.

## SOLUCIÓN DE PROBLEMAS

PROBLEMA	SOLUCIÓN
<b>EL MOTOR NO ARRANCA</b>	
El depósito de combustible está vacío	Llene el depósito de combustible con combustible nuevo
El bulbo del cebador no se presionó lo suficiente	Oprima el bulbo del cebador 10 veces o hasta que se vea combustible
El combustible está viejo (más de 30 días)	Drene el depósito de combustible y agregue combustible nuevo
La bujía está averiada	Vuelva a colocar la bujía
La palanca de arranque en clima frío está en la posición cerrada	Mueva la palanca de arranque en climas fríos hasta la posición abierta
<b>EL MOTOR NO FUNCIONA AL RALENTÍ</b>	
El filtro de aire está sucio	Limpie o reemplace el filtro de aire
El combustible está viejo (más de 30 días)	Drene el depósito de combustible y agregue combustible nuevo
La velocidad de ralentí es incorrecta	Ajuste la velocidad de ralentí
<b>EL MOTOR NO ACELERA</b>	
El combustible está viejo (más de 30 días)	Drene el depósito de combustible y agregue combustible nuevo
El cabezal de corte tiene césped atascado	Pare el motor y limpie el cabezal de corte
El filtro de aire está sucio	Limpie o reemplace el filtro de aire
<b>AL MOTOR LE FALTA POTENCIA O SE PARA</b>	
El combustible está viejo (más de 30 días)	Drene el depósito de combustible y agregue combustible nuevo
El filtro de aire está sucio	Limpie o reemplace el filtro de aire
La bujía está averiada	Vuelva a colocar la bujía

## ¿NECESITA MÁS AYUDA?

Encontrará la respuesta y más información en [managemylife.com](http://managemylife.com) – ¡gratis!

- Busque en Internet éste y todos los demás manuales de sus productos.
- Pregúntele a nuestro equipo de expertos del hogar.
- Reciba un plan de mantenimiento personalizado para su hogar.
- Busque información y herramientas que lo ayuden en sus proyectos del hogar.



ofrecido por Sears

## CONVENIOS DE PROTECCIÓN DE REPARACIÓN

*Felicitaciones por haber hecho una compra inteligente.* Su nuevo producto Craftsman® fue diseñado y fabricado con vistas a una operación confiable por años. Pero como todos los productos, es posible que sea necesario repararlo alguna vez. Ahí es cuando tener un Convenio de Protección de Reparación puede ahorrarle dinero y problemas.

### **Esto es lo que incluye el Convenio de Protección de Reparación\*:**

- Servicio de experto** por nuestros 10,000 profesionales, especialistas en reparaciones
- Servicio ilimitado y sin costo alguno** en piezas y mano de obra para todas las reparaciones cubiertas
- Reemplazo del producto** por otro que cueste hasta \$1500 si el producto cubierto no tiene reparación
- Descuento del 25%** del precio normal por el servicio y las piezas instaladas que no cubra el convenio; así como también el 25% de descuento por el mantenimiento preventivo
- Ayuda rápida por teléfono** – la llamamos Solución Rápida – asistencia técnica por teléfono de un representante de Sears. Considérenos un "manual de usuario que habla".

Una vez que adquiera el Convenio de Protección de Reparación, todo lo que necesita es hacer una simple llamada para programar el servicio. Puede llamar a cualquier hora del día o de la noche o programar el servicio por Internet.

El Convenio de Protección de Reparación es una compra libre de riesgo. Si usted lo cancela por cualquier motivo mientras dure la garantía del producto, le haremos un reembolso completo. Si lo hace en cualquier momento después de vencida la garantía, le haremos un reembolso prorrateado. ¡Adquiera hoy mismo su Convenio de Protección de Reparación!

**Se aplican algunas limitaciones y exclusiones. Para precios e información adicional en Estados Unidos, llame al 1-800-827-6655.**

**\*La cobertura en Canadá varía en algunos artículos. Para todos los detalles, llame a Sears de Canadá al 1-800-361-6665.**

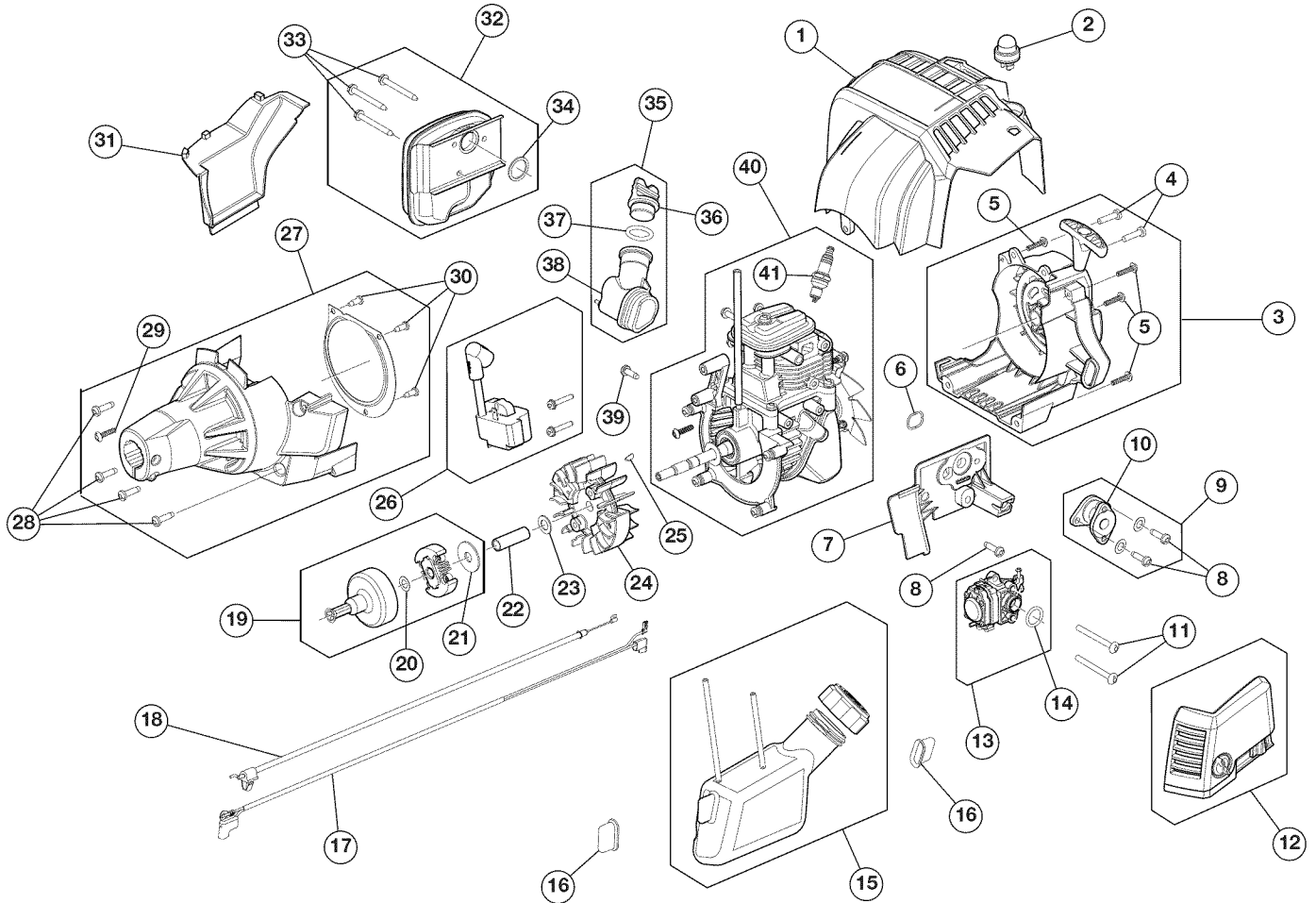
### **Servicio de Instalación Sears**

*Para la instalación* de electrodomésticos, abrepuestas de garajes, calentadores de agua, y otros productos para el hogar por profesionales de Sears, en Estados Unidos o Canadá, llame al **1-800-4-MY-HOME**.



# PARTS LIST

## REPLACEMENT PARTS - MODEL 316.731930 ELECTRIC START CAPABLE 4-CYCLE GAS TRIMMER

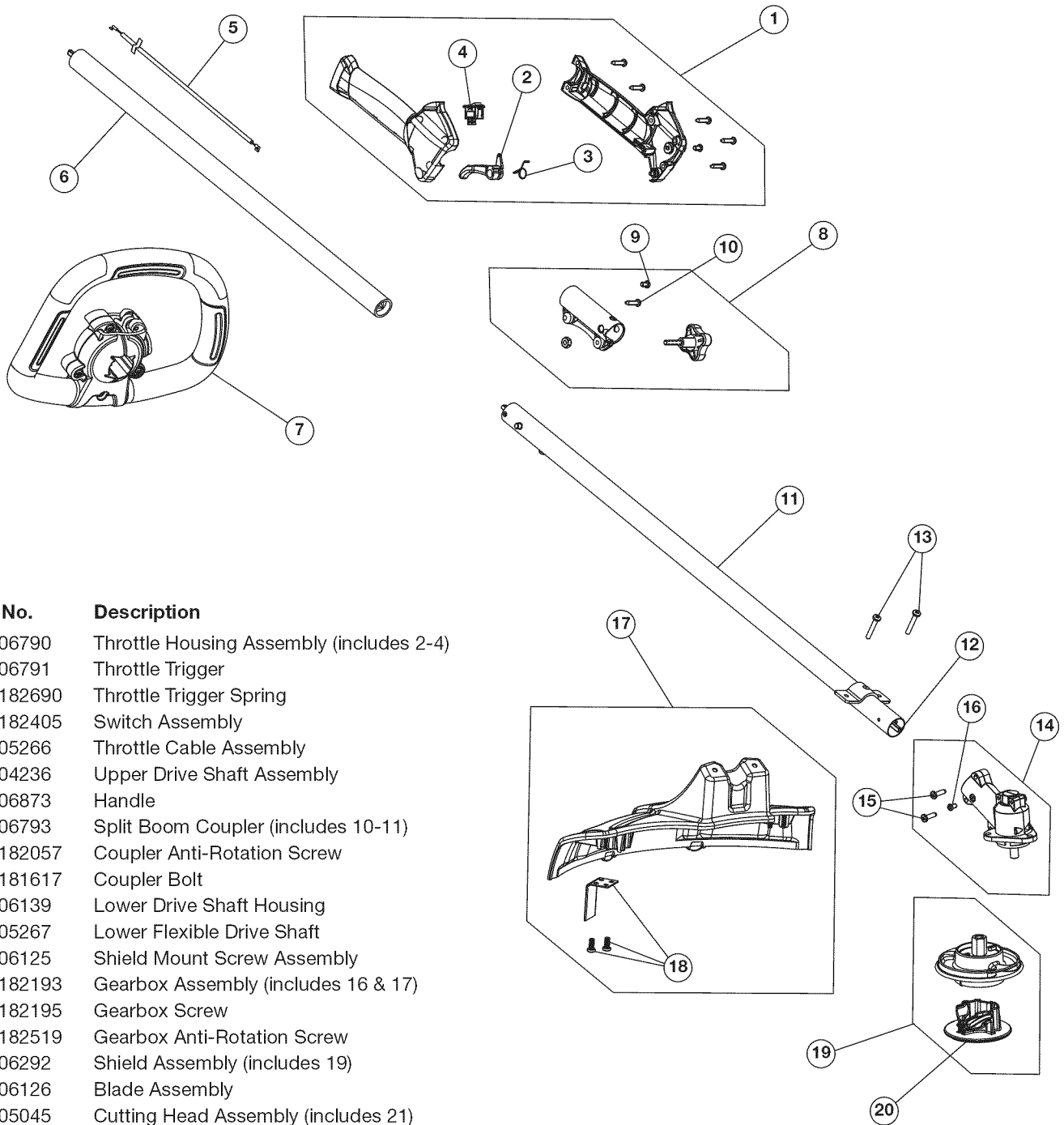


Item	Part No.	Description	Item	Part No.	Description
1	753-08065	Top Housing	23	736-0314	Washer
2	731-05509	Air Purge Primer	24	753-06246	Flywheel
3	841-031703S	Starter Housing Assembly (includes 4 & 5)	25	714-04016	Key
4	710-04742A	Screw	26	725-06013	Module Assembly
5	710-04194	Screw	27	753-08056	Clutch Cover Assembly (includes 28-30)
6	721-04466	O-Ring	28	710-04604	Screw
7	731-08365	Intake Port	29	710-04195	Screw
8	9052-1	Screw	30	1755	Screw
9	753-08053	Boot Assembly (includes 8 & 10)	31	753-08060	Rear Engine Cover
10	651-04389	Boot	32	753-08052	Muffler Assembly (includes 33 & 34)
11	710-6003	Screw	33	710-04809	Screw
12	841-031704S	Air Cleaner Assembly	34	721-04508	Muffler Gasket
13	751-14066-4	Carburetor Assembly (includes 14)	35	841-031509S	Oil Fill Tube Assembly (includes 36-38)
14	5850-83110	O-Ring	36	731-08920-9	Oil Fill Plug
15	841-031506	Fuel Tank Assembly	37	721-04509	O-Ring
16	731-05405	Fuel Tank Pad	38	841-031509	Oil Fill Tube
17	794-00047A	Lead Wire	39	9054	Screw
18	746-05053	Throttle Cable	40	841-012023S	Shortblock Assembly (includes 41)
19	753-05860	Clutch Assembly (includes 20 & 21)	41	753-05784	Spark Plug
20	6674	Thrust Washer	*	751-12833	Air Filter
21	9162-1	Clutch Washer			
22	2557	Spacer			

\* Items Not Shown

# PARTS LIST

## REPLACEMENT PARTS - MODEL 316.731930 ELECTRIC START CAPABLE 4-CYCLE GAS TRIMMER



Item	Part No.	Description
1	753-06790	Throttle Housing Assembly (includes 2-4)
2	753-06791	Throttle Trigger
3	791-182690	Throttle Trigger Spring
4	791-182405	Switch Assembly
5	753-05266	Throttle Cable Assembly
6	753-04236	Upper Drive Shaft Assembly
7	753-06873	Handle
8	753-06793	Split Boom Coupler (includes 10-11)
9	791-182057	Coupler Anti-Rotation Screw
10	791-181617	Coupler Bolt
11	753-06139	Lower Drive Shaft Housing
12	753-05267	Lower Flexible Drive Shaft
13	753-06125	Shield Mount Screw Assembly
14	791-182193	Gearbox Assembly (includes 16 & 17)
15	791-182195	Gearbox Screw
16	791-182519	Gearbox Anti-Rotation Screw
17	753-06292	Shield Assembly (includes 19)
18	753-06126	Blade Assembly
19	753-05045	Cutting Head Assembly (includes 21)
20	753-05036	Cutting Head Cap
*	753-05038	Tube of Line

\* Items Not Shown

# Get it fixed, at your home or ours!

## Your Home

For troubleshooting, product manuals and expert advice:



[www.managemylife.com](http://www.managemylife.com)

For repair – **in your home** – of **all** major brand appliances, lawn and garden equipment, or heating and cooling systems, **no matter who made it, no matter who sold it!**

For the replacement parts, accessories and owner's manuals that you need to do-it-yourself.

For Sears professional installation of home appliances and items like garage door openers and water heaters.

**1-800-4-MY-HOME<sup>®</sup>** (1-800-469-4663)

Call anytime, day or night (U.S.A. and Canada)

[www.sears.com](http://www.sears.com)

[www.sears.ca](http://www.sears.ca)

## Our Home

For repair of carry-in items like vacuums, lawn equipment, and electronics, call anytime for the location of your nearest

**Sears Parts & Repair Service Center**

**1-800-488-1222** (U.S.A.)

**1-800-469-4663** (Canada)

[www.sears.com](http://www.sears.com)

[www.sears.ca](http://www.sears.ca)

To purchase a protection agreement on a product serviced by Sears:

**1-800-827-6655** (U.S.A.)

**1-800-361-6665** (Canada)

Para pedir servicio de reparación a domicilio, y para ordenar piezas:

**1-888-SU-HOGAR<sup>®</sup>**

(1-888-784-6427)

[www.sears.com](http://www.sears.com)

Au Canada pour service en français:

**1-800-LE-FOYER<sup>MC</sup>**

(1-800-533-6937)

[www.sears.ca](http://www.sears.ca)

The Sears logo, consisting of the word "sears" in a lowercase, serif font.

® Registered Trademark / <sup>TM</sup> Trademark of KCD IP, LLC in the United States, or Sears Brands, LLC in other countries

® Marca Registrada / <sup>TM</sup> Marca de Fábrica de KCD IP, LLC en Estados Unidos, o Sears Brands, LLC in otros países

<sup>MC</sup> Marque de commerce / <sup>MD</sup> Marque déposée de Sears Brands, LLC