

Operator's Manual



4-Cycle Gasoline

LAWN EDGER

Model No. 316.772370

INCREDI-PULL™
UNBELIEVABLE STARTING EASE™



CAUTION: Before using this product, read this manual and follow all safety rules and operating instructions.

- SAFETY
- ASSEMBLY
- OPERATION
- MAINTENANCE
- PARTS LIST
- ESPAÑOL, P. E1

Sears, Roebuck and Co., Hoffman Estates, IL 60179, U.S.A.
Visit our website: www.sears.com/craftsman

RULES FOR SAFE OPERATION

TABLE OF CONTENTS

Rules for Safe Operation	2
Warranty Information	4
Know Your Unit	5
Assembly Instructions	6
Oil and Fuel Information	7
Starting/Stopping Instructions	8
Operating Instructions	9
Maintenance and Repair Instructions	9
Cleaning and Storage	12
Troubleshooting Chart	13
Specifications	14
Parts List	E17

The purpose of safety symbols is to attract your attention to possible dangers. The safety symbols, and their explanations, deserve your careful attention and understanding. The safety warnings do not by themselves eliminate any danger. The instructions or warnings they give are not substitutes for proper accident prevention measures.

SYMBOL	MEANING
--------	---------



SAFETY ALERT: Indicates danger, warning or caution. Attention is required in order to avoid serious personal injury. May be used in conjunction with other symbols or pictographs.



DANGER: Failure to obey a safety warning will result in serious injury to yourself or to others. Always follow the safety precautions to reduce the risk of fire, electric shock and personal injury.



WARNING: Failure to obey a safety warning can result in injury to yourself and others. Always follow the safety precautions to reduce the risk of fire, electric shock and personal injury.



CAUTION: Failure to obey a safety warning may result in property damage or personal injury to yourself or to others. Always follow the safety precautions to reduce the risk of fire, electric shock and personal injury.

NOTE: Advises you of information or instructions vital to the operation or maintenance of the equipment.

Read the Operator's Manual and follow all warnings and safety instructions. Failure to do so can result in serious injury to the operator and/or bystanders.

FOR QUESTIONS, CALL 1-800-659-5917

SPARK ARRESTOR NOTE

NOTE: For users on U.S. Forest Land and in the states of California, Maine, Oregon and Washington. All U.S. Forest Land and the state of California (Public Resources Codes 4442 and 4443), Oregon and Washington require, by law that certain internal combustion engines operated on forest brush and/or grass-covered areas be equipped with a spark arrestor, maintained in effective working order, or the engine be constructed, equipped and maintained for the prevention of fire. Check with your state or local authorities for regulations pertaining to these requirements. Failure to follow these requirements could subject you to liability or a fine. **This unit is factory equipped with a spark arrestor.** If it requires replacement, ask your LOCAL SERVICE DEALER to install the **Accessory Part #753-05297 Spark Arrestor Kit.**

CALIFORNIA PROPOSITION 65 WARNING

	WARNING	
<p>THE ENGINE EXHAUST FROM THIS PRODUCT CONTAINS CHEMICALS KNOWN TO THE STATE OF CALIFORNIA TO CAUSE CANCER, BIRTH DEFECTS OR OTHER REPRODUCTIVE HARM.</p>		

• IMPORTANT SAFETY INSTRUCTIONS •

READ ALL INSTRUCTIONS BEFORE OPERATING

	<p>WARNING: When using the unit, you must follow the safety rules. Please read these instructions before operating the unit in order to ensure the safety of the operator and any bystanders. Please keep these instructions for later use.</p>
--	--

- Carefully read and understand the operator's manual of the unit that powers this attachment.
- Read this operating instruction manual carefully. Be thoroughly familiar with the controls and the proper use of the equipment. Know how to stop the unit and disengage the controls quickly.
- Do not operate this unit when tired, ill, or under the influence of alcohol, drugs, or medication.
- Never allow children to operate the equipment. Never allow adults unfamiliar with the instructions to use the unit. Never allow adults to operate the equipment without proper instruction.
- All guards and safety attachments must be installed properly before operating the unit.
- Inspect the unit before use. Ensure the blade is installed correctly and secure.
- Clear the area to be edged before each use. Remove all objects such as rocks, broken glass, nails, wire, or string which can be thrown or become entangled in the edging attachment.

SPECIAL SAFETY WARNINGS FOR LAWN EDGERS

	<p>WARNING: Gasoline is highly flammable, and its vapors can explode if ignited. Take the following precautions:</p>
--	---

- Store fuel only in containers specifically designed and approved for the storage of such materials.
- Always stop the engine and allow it to cool before filling the fuel tank. Never remove the cap of the fuel tank, or add fuel, when the engine is hot. Never operate the unit without the fuel cap securely in place. Loosen the fuel tank cap slowly to relieve any pressure in the tank.
- Add fuel in a clean, well-ventilated area outdoors where there are no sparks or flames. Slowly remove the fuel cap only after stopping engine. Do not smoke while fueling. Wipe up any spilled fuel from the unit immediately.
- Avoid creating a source of ignition for spilled fuel. Do not start the engine until fuel vapors dissipate.
- Move the unit at least 30 feet (9.1 m) from the fueling source and site before starting the engine. Do not smoke. Keep sparks and open flames away from the area while adding fuel or operating the unit.
- Never start or run the unit inside a closed room or building. Breathing exhaust fumes can kill. Operate this unit only in a well ventilated area outdoors.

RULES FOR SAFE OPERATION

WHILE OPERATING

- Keep bystanders, especially children and pets, at least 50 ft (15 m) away.
- Wear safety glasses or goggles that are marked as meeting ANSI Z87.1–1989 standards, and ear/hearing protection when operating this unit. Wear a face or dust mask if the operation is dusty.
- Wear heavy, long pants, boots, gloves and a long sleeve shirt. Do not wear loose clothing, jewelry, short pants, sandals or go barefoot. Secure hair above shoulder level.
- Use the unit only in daylight or good artificial light.
- Use the right tool. Only use this tool for the purpose intended.
- Do not force unit. It will do the job better and with less likelihood of injury at a rate for which it was designed.
- Use extreme caution when reversing or pulling the unit towards you.
- Do not overreach, take extra care when working on steep slopes or inclines. Always keep proper footing and balance.
- Always hold the unit with both hands when operating. Keep a firm grip on the handle.
- Keep hands, face, and feet at a distance from all moving parts. Do not touch or try to stop the blade when it is rotating. Do not operate without guards in place.
- Do not operate the engine faster than the speed needed to do the job. Do not run the engine at high speed when not in use.
- Always stop the engine/motor when operation is delayed or when walking from one location to another.
- Stop the engine/motor for maintenance, repair, to install or remove the blade. The unit must be stopped and the blade no longer turning to avoid injury.
- The blade may become very sharp from use. Always wear heavy gloves when handling, removing, installing or cleaning the blade.
- If you strike or become entangled with a foreign object, stop the engine/motor immediately and check for damage. Have any damage repaired before attempting further operations. Do not operate unit with a bent, cracked or dull blade. Discard blades that are bent, warped, cracked or broken.
- Stop the unit IMMEDIATELY if you feel excessive vibration. Vibration is a sign of trouble. Inspect thoroughly for loose nuts, bolts or damage

- before continuing. Repair or replace affected parts as necessary.
- Stop and switch the unit to off for maintenance or repair.
- Keep unit clean of vegetation and other materials. They may become lodged between the blade and guard.
- A coasting blade can cause injury while it continues to spin after the unit is stopped. Maintain proper control of the unit until the blade has completely stopped rotating.
- Use only genuine factory replacement parts and accessories for this unit. These are available from your authorized service dealer. Use of any unauthorized parts or accessories could lead to serious injury to the user or damage to the unit, and void your warranty.

MAINTENANCE AND STORAGE



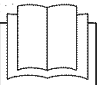








- Allow the unit to cool before storing or transporting. Be sure to secure the unit while transporting.
- Store the unit in a locked up and dry or high and dry place to prevent unauthorized use or damage, out of the reach of children.
- Clean the blade with a hose and water. Wipe the blade with light machine oil to prevent rust.
- Never douse or squirt the unit with water or any other liquid. Keep handles dry, clean and free from debris. Clean after each use.
- Keep these instructions. Refer to them often and use them to instruct other users. If you loan someone this unit, also loan them these instructions.
- Only qualified personnel should perform any repairs or maintenance procedures that are not described in this manual.
- Check shear bolts, engine mounting bolts and other bolts at frequent intervals for proper tightness to be sure the equipment is in safe working condition.
- Inside a building store the machine away from ignition sources. Allow the engine to cool before storing in any enclosure.
- Always refer to the Operator's Manual instructions for important details if the lawn edger is to be stored for an extended period.
- Do not attempt to repair the machine unless you have the proper tools, and instructions for disassembly and repair of the machine.

SAVE THESE INSTRUCTIONS

RULES FOR SAFE OPERATION

• SAFETY AND INTERNATIONAL SYMBOLS •

This operator's manual describes safety and international symbols and pictographs that may appear on this product. Read the operator's manual for complete safety, assembly, operating and maintenance and repair information.

SYMBOL	MEANING	SYMBOL	MEANING
	<ul style="list-style-type: none"> • SAFETY ALERT SYMBOL Indicates danger, warning or caution. May be used in conjunction with other symbols or pictographs. 		<ul style="list-style-type: none"> • ON/OFF STOP CONTROL ON / START / RUN
	<ul style="list-style-type: none"> • READ OPERATOR'S MANUAL WARNING: Read the operator's manual(s) and follow all warnings and safety instructions. Failure to do so can result in serious injury to the operator and/or bystanders. 		<ul style="list-style-type: none"> • ON/OFF STOP CONTROL OFF or STOP
	<ul style="list-style-type: none"> • WEAR EYE AND HEARING PROTECTION WARNING: Thrown objects and loud noise can cause severe eye injury and hearing loss. Wear eye protection meeting ANSI Z87.1-1989 standards and ear protection when operating this unit. Use a full face shield when needed. 		<ul style="list-style-type: none"> • HOT SURFACE WARNING: Do not touch a hot muffler, gear housing or cylinder. You may get burned. These parts get extremely hot from operation. They remain hot for a short time after the unit is turned off.
	<ul style="list-style-type: none"> • UNLEADED FUEL Always use clean, fresh unleaded fuel. 		<ul style="list-style-type: none"> • THROWN OBJECTS AND ROTATING CUTTER CAN CAUSE SEVERE INJURY WARNING: Do not operate without the cutting attachment shield in place. Keep away from the rotating cutting attachment.
	<ul style="list-style-type: none"> • OIL Refer to operator's manual for the proper type of oil. 		<ul style="list-style-type: none"> • GARDEN EDGERS – ROTATING BLADE CAN CAUSE SEVERE INJURY WARNING: Stop the engine and allow the blade to stop before removing the blade, or before cleaning or performing any maintenance. Keep hands and feet away from rotating blade.
	<ul style="list-style-type: none"> • KEEP BYSTANDERS AWAY WARNING: Keep all bystanders, especially children and pets, at least 50 feet (15 m) from the operating area. 		

WARRANTY STATEMENT

CRAFTSMAN FULL WARRANTY

If this Craftsman product fails due to a defect in material or workmanship within two years from the date of purchase, return it to any Sears store, Parts and Repair Service Center, or other Craftsman outlet in the United States for free repair (or replacement if repair proves impossible). This warranty applies for only 90 days if this product is ever used for commercial or rental purposes.

This warranty covers ONLY defects in material and workmanship. Sears will NOT pay for:

- Expendable items that can wear out from normal use within the warranty period, such as cutting line, filters or spark plugs.
- Repairs necessary because of accident or failure to operate or maintain the product according to all supplied instructions.
- Preventive maintenance, or repairs necessary due to improper fuel mixture, contaminated or stale fuel.

This warranty gives you specific legal rights, and you may also have other rights which vary from state to state.

Sears, Roebuck and Co., Hoffman Estates, IL 60179

Repair Protection Agreements

Congratulations on making a smart purchase. Your new Craftsman® product is designed and manufactured for years of dependable operation. But like all products, it may require repair from time to time. That's when having a Repair Protection Agreement can save you money and aggravation.

Here's what the Repair Protection Agreement* includes:

- Expert service** by our 10,000 professional repair specialists
- Unlimited service and no charge** for parts and labor on all covered repairs
- Product replacement** up to \$1500 if your covered product can't be fixed
- Discount of 10%** from regular price of service and related installed parts not covered by the agreement; also, 10% off regular price of preventive maintenance check
- Fast help by phone** – we call it Rapid Resolution – phone support from a Sears representative. Think of us as a “talking owner's manual.”

Once you purchase the Repair Protection Agreement, a simple phone call is all that it takes for you to schedule service. You can call anytime day or night, or schedule a service appointment online.

The Repair Protection Agreement is a risk-free purchase. If you cancel for any reason during the product warranty period, we will provide a full refund. Or, a prorated refund any time after the product warranty period expires. Purchase your Repair Protection Agreement today!

Some limitations and exclusions apply. For prices and additional information in the U.S.A. call 1-800-827-6655.

***Coverage in Canada varies on some items. For full details call Sears Canada at 1-800-361-6665.**

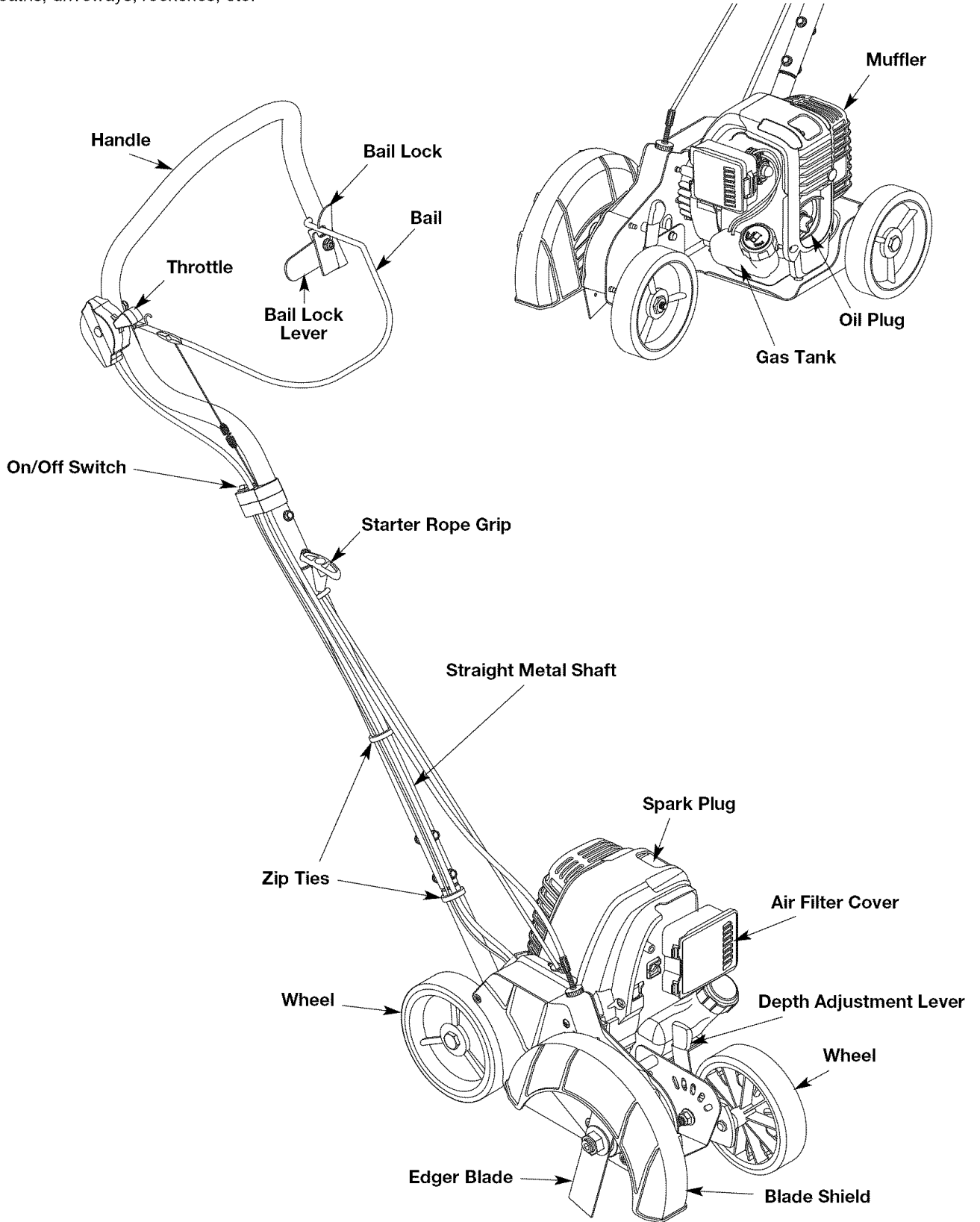
Sears Installation Service

For Sears professional installation of home appliances, garage door openers, water heaters, and other major home items, in the U.S.A. or Canada call **1-800-4-MY-HOME®**.

KNOW YOUR UNIT

APPLICATIONS

- Edging along paths, driveways, rockeries, etc.



ASSEMBLY INSTRUCTIONS

HANDLE ASSEMBLY

1. Remove the nuts and bolts from the middle handle only, but not the eyehook.

NOTE: DO NOT remove the bolt and nut in the upper handle.

2. Place the end of the middle handle over the lower handle and align the holes (Fig. 1). Making sure the "TO START" label is facing up.

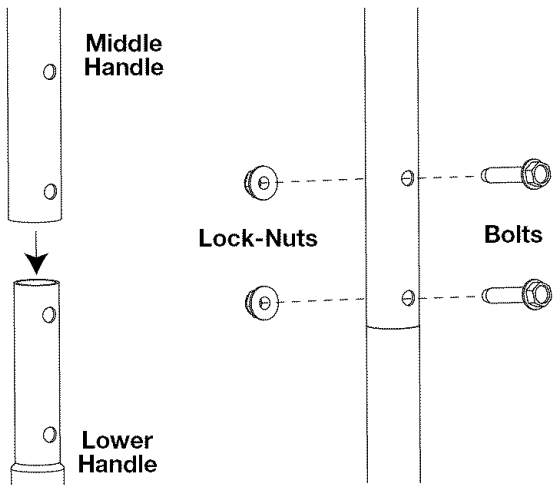


Fig. 1

3. Insert two of the bolts previously removed in **step 1** into these holes and thread the lock-nuts onto them until hand tight.
4. Using a 3/8" wrench to hold the bolts, tighten the lock-nuts with a 7/16" wrench until firm. **DO NOT OVERTIGHTEN.**
5. Place the end of the upper handle onto the end of the middle handle making sure to align the holes. (Fig. 2)

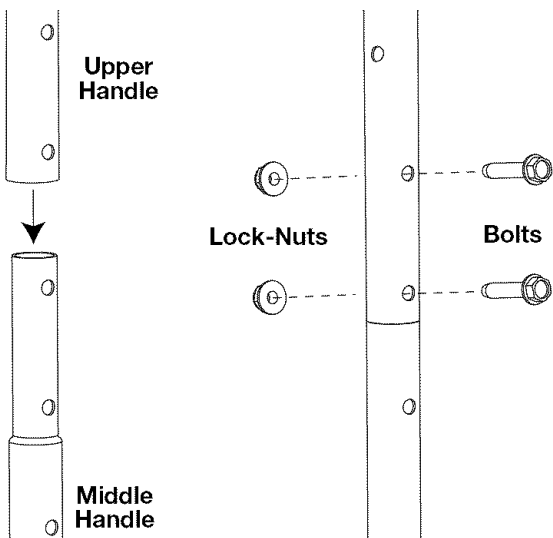


Fig. 2

6. Insert two of the bolts previously removed in **step 1** into these holes and thread the lock-nuts onto them until hand tight.
7. Repeat **step 4** for tightening of this bolt.
8. Extend the switch/ throttle assembly and wires toward the top of the handle.
9. Align the switch/ throttle control assembly post with the hole that can be found on the side of the upper handle, (Fig. 3).

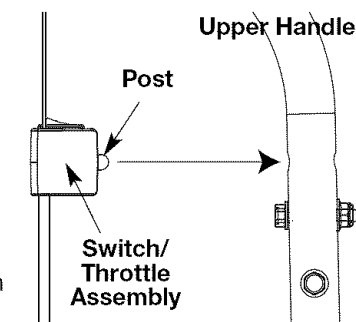


Fig. 3

10. Firmly push the switch/ throttle assembly onto the upper handle, making sure that the post slightly protrudes through the hole on the opposite side.
11. Remove the nut and bolt from the throttle control (Fig. 4).

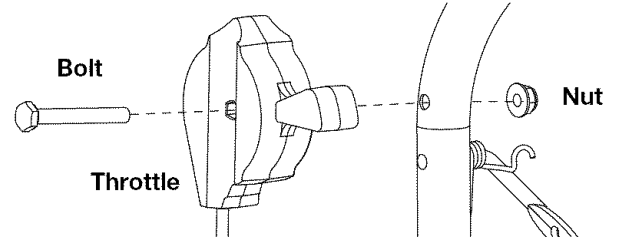


Fig. 4

12. Align the throttle control with the hole on the right side of the handle.
13. Insert the bolt thru the hole and thread the lock-nut onto it until hand tight. (Fig. 4).
14. Using a 3/8" wrench to hold the bolt, tighten the lock-nut with a 7/16" wrench until firm. **DO NOT OVERTIGHTEN.**
15. Cut the Zip tie holding the bail to the handle (Fig. 5).

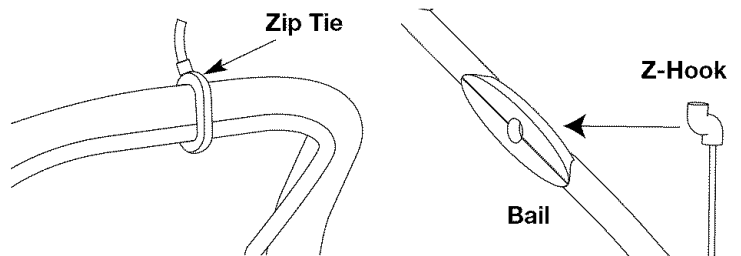


Fig. 5

16. Insert the Z-Hook into the hole on the right side of the bail to secure the clutch cable to the bail (Fig. 5).
- NOTE:** Make sure that the bail wire is on top of the upper handle and not installed under it.
17. Pull out the starter rope and run it thru the eye hook (Fig. 6).

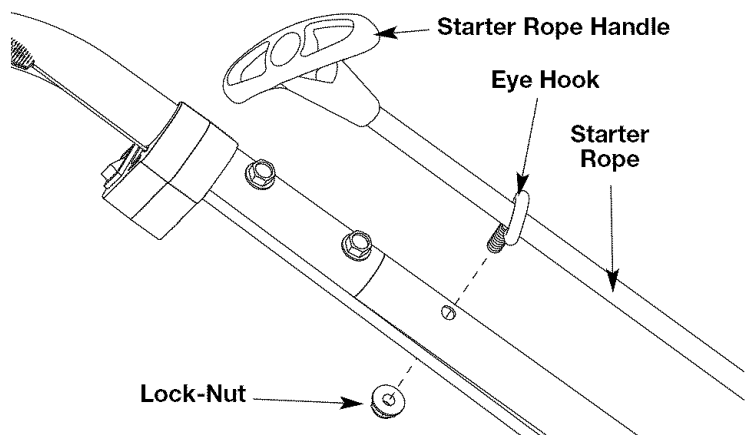


Fig. 6



WARNING: DO NOT run any control wires through the eye hook. As this may prevent certain safety features from working properly.

18. Tighten the nut onto the eye hook using a 7/16" wrench to tighten. **DO NOT OVERTIGHTEN.**
19. Using the zip ties found in the hardware bag, secure the handle cables to the lower and middle handle between the eye hook and the motor housing (see page 5).

OIL AND FUEL INFORMATION



WARNING: OVERFILLING OIL CRANKCASE MAY CAUSE SERIOUS PERSONAL INJURY. Check and maintain the proper oil level in the crank case; it is important and cannot be overemphasized. Check the oil before each use and change it as needed. See *Changing the Oil*.

RECOMMENDED OIL TYPE

Using the proper type and weight of oil in the crankcase is extremely important. Check the oil before each use and change the oil regularly. Failure to use the correct oil, or using dirty oil, can cause premature engine wear and failure. Use a high-quality SAE 30 weight oil of API (American Petroleum Institute) service class SF, SG, SH.

ADDING OIL TO CRANKCASE: INITIAL USE

NOTE: This unit is shipped without oil. In order to avoid damage to the unit, put oil in the crankcase before you attempt to start the unit.

Your unit is supplied with one 3.04 fluid oz. (90 ml.) bottle of SAE 30 SF, SG, SH oil (Fig. 7).

NOTE: Save the empty oil bottle. It can be used to measure the correct amount during future oil changes. See *Changing the Oil*.

1. Unscrew the top of the bottle of oil and remove the paper seal covering the opening. Replace the top. Next, cut the tip off the funnel spout (Fig. 7).
2. Tip unit so that the back of the engine is facing up in a vertical position.
3. Remove the oil fill plug from the crankcase (Fig. 8).

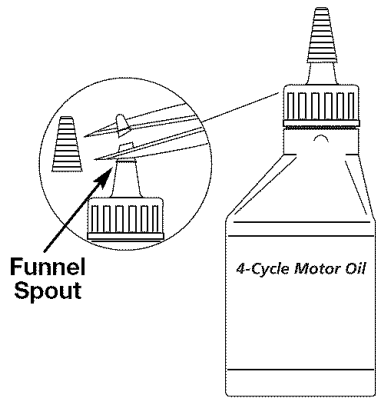


Fig. 7

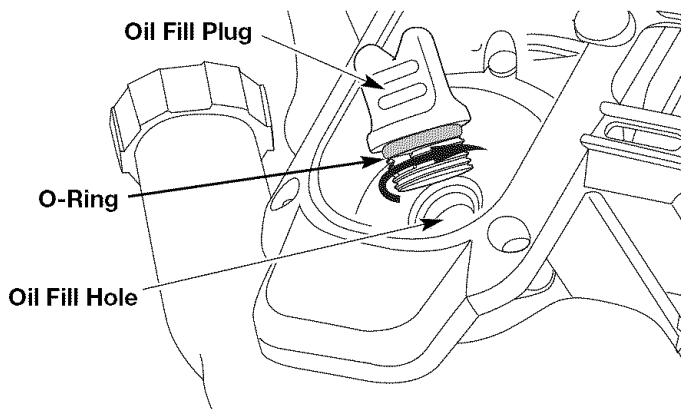


Fig. 8

4. Pour the entire bottle of oil into the oil fill hole (Fig. 9).

NOTE: Never add oil to the gas or gas tank.

5. Wipe up any oil that may have spilled and reinstall the oil fill plug.

Check oil before each use and change as needed. Refer to *Checking the Oil Level*.

RECOMMENDED FUEL TYPE

Old gasoline is the primary reason for improper unit performance. Be sure to use fresh, clean, unleaded gasoline.

Dispose of the old gasoline in accordance with Federal, State and Local regulations.

NOTE: This is a four cycle engine. In order to avoid damage to the unit, do not mix oil with the gasoline.

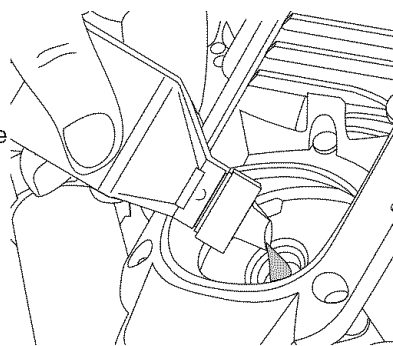


Fig. 9

Definition of Blended Fuels

Today's fuels are often a blend of gasoline and oxygenates such as ethanol, methanol or MTBE (ether). Alcohol-blended fuel absorbs water. As little as 1% water in the fuel can form acids when stored. Use fresh fuel (less than 60 days old), when using alcohol-blended fuel.

Using Blended Fuels

If you choose to use a blended fuel, or its use is unavoidable, follow recommended precautions:

- Always use fresh unleaded gasoline
- Use a gas stabilizer fuel additive
- Drain tank and run the engine dry before storing unit

Using Fuel Additives

The use of a gas stabilizer will inhibit corrosion and minimize the formation of gum deposits. Using a fuel additive can keep fuel from forming harmful deposits in the carburetor for up to six (6) months. Add 0.8 oz. (23 ml.) of fuel additive per gallon of fuel according to the instructions on the fuel additive container. NEVER add fuel additives directly to the unit's gas tank.

FUELING THE UNIT



WARNING: Add gasoline in a clean, well ventilated outdoor area. Wipe up any spilled fuel immediately. Avoid creating a source of ignition for spilt gasoline. Do not start the engine until gasoline vapors dissipate.



WARNING: Gasoline is extremely flammable. Ignited vapors may explode. Always stop the engine and allow it to cool before filling the fuel tank. Do not smoke while filling the tank. Keep sparks and open flames at a distance from the area.

1. Remove the gas cap.



WARNING: Remove gas cap slowly to avoid injury from fuel spray. Never operate the unit without the gas cap securely in place.

2. Place the gas container's spout into the fill hole on the fuel tank (Fig. 10) and fill the tank.

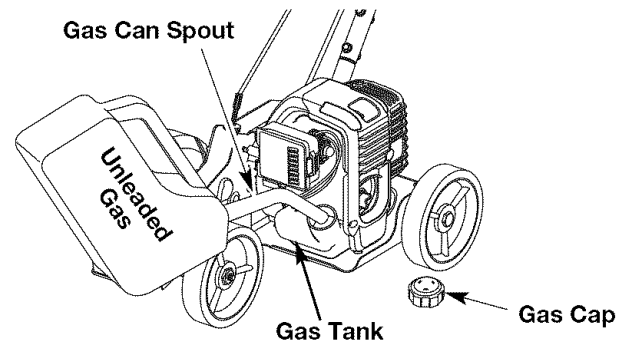


Fig. 10

NOTE: Fill or add gas to the tank only when the edger is in the horizontal position.

NOTE: Do not overfill the tank.

3. Wipe up any gasoline that may have spilled.
4. Reinstall the gas cap.
5. Move the unit at least 30 ft. (9.1 m) from the fueling source and site before starting the engine.

STARTING/STOPPING INSTRUCTIONS



WARNING: Operate this unit only in a well-ventilated outdoor area. Carbon monoxide exhaust fumes can be lethal in a confined area.



WARNING: Avoid accidental starting. Make sure you are in the starting position when pulling the starter rope (Fig. 14). To avoid serious injury, the operator and unit must be in a stable position while starting.

STARTING INSTRUCTIONS

1. Check the oil level in the crankcase. Refer to Checking the Oil Level.
2. Fill the fuel tank with fresh, clean unleaded gasoline. Refer to *Fueling the Unit*.

NOTE: There is no need to turn the unit on. The On/Off Stop Control is in the ON (I) position at all times (Fig. 11).

3. Fully press and release the primer bulb 10 times, slowly. Some amount of fuel should be visible in the primer bulb and fuel lines (Fig. 12). If you can't see fuel in the bulb, press and release the bulb as many times as it takes before you can see fuel in it.

IF UNIT IS BELOW 40°F... move the Cold Weather Start Lever to the closed position (Fig. 13) and continue to step 4. **DO NOT** move this lever to the closed position if the unit's temperature is above 40°F.

4. Stand in the starting position (Fig. 14) and make sure the throttle control (Fig. 15) is in the SLOW (🐢) position.
5. Pull the starter rope out a short distance until you feel some resistance (this is usually around 2-4 inches). Then pull the starter rope out with a **controlled and steady motion**. Repeat this 5 times. The engine should start.

NOTE: Do not engage the bail while pulling the starter rope (Fig. 14) or the unit will not start.

6. If the engine starts, allow the engine to warm up for 15 to 30 seconds then move the throttle control to the FAST (🐇) position.

IF ENGINE STARTS AND WEATHER IS COLD... (below 40°F), move the Cold Weather Start Lever to the open position (Fig. 13) and let the engine warm up for 30 to 60 seconds.

IF... the engine does **NOT** start, go back to step 3.

IF... the engine stops while the throttle control is in the FAST (🐇) position, go back to step 4.

WARM UNIT RESTART... Once the engine is warm, move throttle control lever to the SLOW (🐢) position and pull the starter rope to restart. Do not squeeze the bail while pulling the starter rope.

NOTE: The unit uses the **Incredi-Pull™** starting system with **MAX FIRE IGNITION™**, which significantly reduces the effort required to start the engine. You must pull the starter rope out far enough to hear the engine attempt to start. There is no need to pull the rope briskly-- there is no harsh resistance when pulling. Be aware that this starting method is vastly different from (and much easier than) what you may be used to.

STOPPING INSTRUCTIONS

1. Release your hand from the bail and move throttle control lever to the SLOW (🐢) position. Allow the engine to cool down by idling.



WARNING: Do not force the throttle control handle back past the Turtle on the throttle label. This could damage the unit.

2. Press and hold On/Off Stop Control in the OFF (O) position until engine comes to a complete stop (Fig. 11).

On/Off
Switch

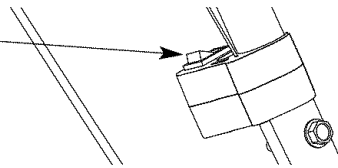
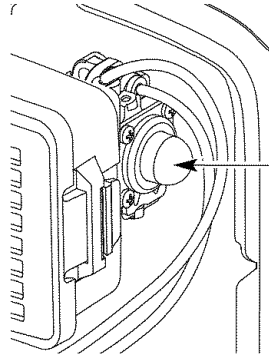
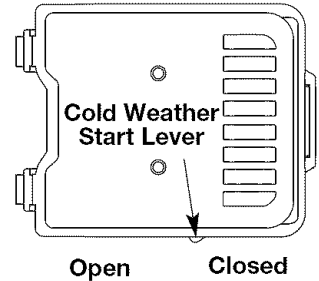


Fig. 11



Primer
Bulb

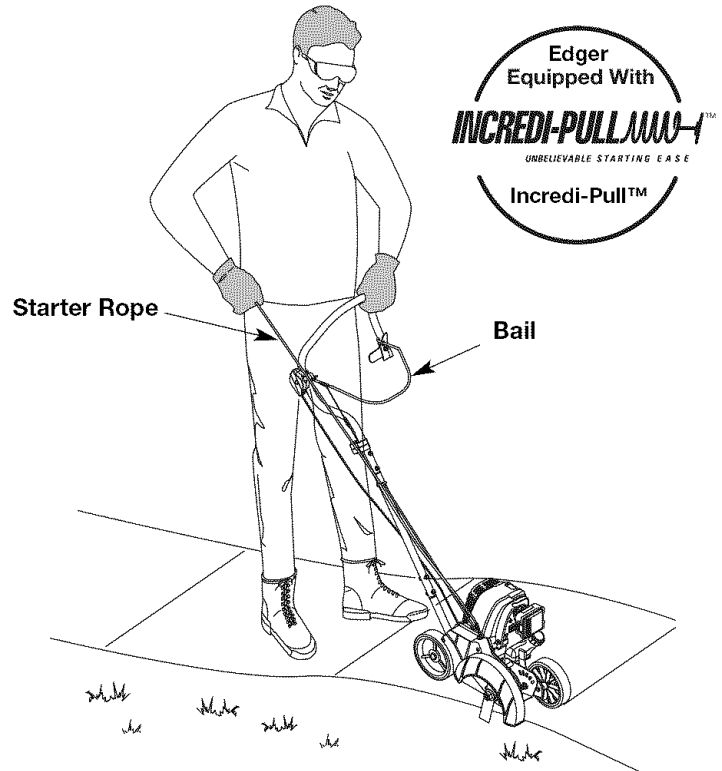
Fig. 12



Open

Closed

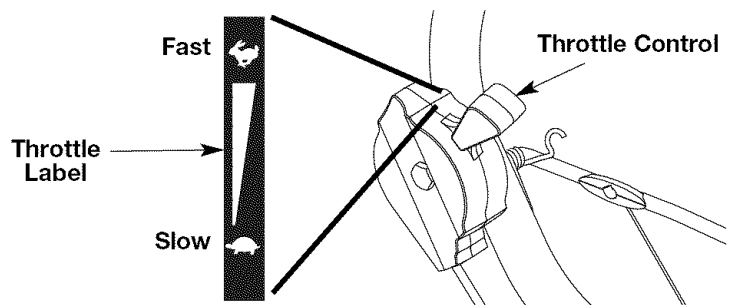
Fig. 13



Starter Rope

Bail

Fig. 14



Fast

Throttle Control

Throttle
Label

Slow

Fig. 15

OPERATING INSTRUCTIONS

HOLDING THE UNIT



WARNING: Always wear eye, hearing, foot and body protection to reduce the risk of injury when operating this unit.

Before operating the unit, stand in the operating position (Fig. 16). Check for the following:

- The operator is wearing eye protection and proper clothing.
- Both hands are holding the handle bar firmly.
- The edger wheel adjusted for proper cut depth as shown in Figure 17 and edger positioned as shown in Fig. 16.

ADJUSTING EDGER CUTTING DEPTH

1. Grasp the depth adjustment lever located beside the front wheel (Fig. 17).
2. To raise the cutting blade, move the lever toward the front of the wheel bracket (Fig. 17).
3. To lower the cutting blade, move the lever toward the rear of the wheel bracket.

OPERATING THE UNIT

Once the unit has started:

1. Tilt the unit back until the blade is not in contact with the ground.
2. Lift the bail (Fig. 16) and hold it against the unit's handle to engage the blade and keep it rotating.
3. Slowly lower the unit until the front wheel is in contact with the ground.

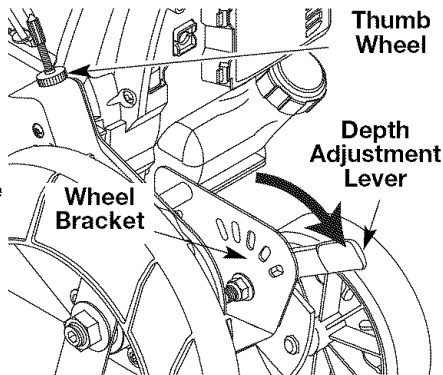


Fig. 17

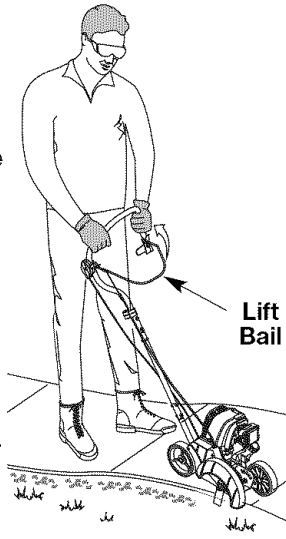


Fig. 16

NOTE: Make sure you have a firm grip on the unit. The spinning blade will contact the ground before the wheel does and will create continuous forward thrust.

4. Walk slowly behind the unit while maintaining a firm grip on the unit.

TIPS FOR BEST EDGING RESULTS

- Do not force the edger. Edge the first time at a lesser depth, (No more than 1/2" depth cut per pass), then do the area again with a deeper setting.
- Walk the edger at a slow, even pace.
- Check the blade condition. As it wears it becomes smaller, thus reducing the cutting depth performance. Replace with a new blade when the blade has worn to the blade's wear limit holes (Fig. 18).

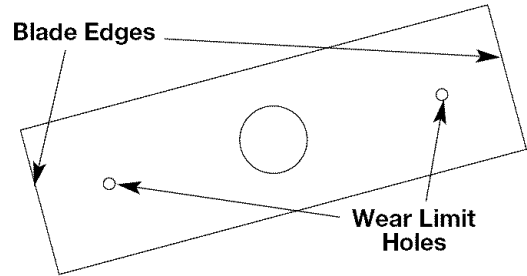


Fig. 18

ADJUST BELT TENSION

If blade fails to turn when the bail is pulled, then:

1. Locate small thumb wheel on top of the belt housing (Fig. 17).
2. Turn the wheel clockwise 1 revolution to increase the tension on the belt.
3. Try pulling the bail and see if the blade turns. If not, repeat step 2 until the blade turns.

MAINTENANCE AND REPAIR INSTRUCTIONS

• MAINTENANCE SCHEDULE •



WARNING: To prevent serious injury, never perform maintenance or repairs with unit running. Always service and repair a cool unit. Disconnect the spark plug wire to ensure that the unit cannot start.

Perform these required maintenance procedures at the frequency stated in the table. These procedures should also be a part of any seasonal tune-up.

NOTE: Some maintenance procedures may require special tools or skills. If you are unsure about these procedures take your unit to a Sears or other qualified service dealer.

NOTE: Maintenance, replacement, or repair of the emission control devices and system may be performed by a Sears or other qualified service dealer.

In order to assure peak performance of your engine, inspection of the engine exhaust port may be necessary after 50 hours of operation. If you notice lost RPM, poor performance or general lack of acceleration, this service may be required. If you feel your engine is in need of this inspection, refer service to a Sears or other qualified service dealer for repair. DO NOT attempt to perform this process yourself as engine damage may result from contaminants involved in the cleaning process for the port.

FREQUENCY	MAINTENANCE REQUIRED	SEE
Before using	Fill fuel tank with fresh fuel Check Oil	p. 7 p. 10
Every 10 hrs	Clean and re-oil air filter	p. 10
After 1st 10 hrs After 25 hrs & Every 25 hrs Every 50 hrs	Change Oil Change Oil Clean Spark Arrestor	p. 10 p. 10 p. 12
Every 10 hrs Every 25 hrs Every 25 hrs	Check rocker arm to valve clearance and adjust Check rocker arm to valve clearance and adjust Check spark plug condition and gap	p. 11 p. 11 p. 12

MAINTENANCE AND REPAIR INSTRUCTIONS

BLADE REPLACEMENT

WARNING: To avoid serious personal injury, always wear gloves while handling, removing or installing the blade.

1. Place a 5/16" Allen wrench in the spindle hole (Fig. 19).
2. While holding the Allen wrench in place, loosen the nut with a 15/16" wrench by turning it counterclockwise (Fig. 19).
3. Remove the nut and blade. Keep the nut for new blade installation.
4. Install the new blade and nut (Fig. 20).
5. While holding the Allen wrench in the spindle hole, tighten the nut by turning the wrench clockwise until tight (Fig. 21).

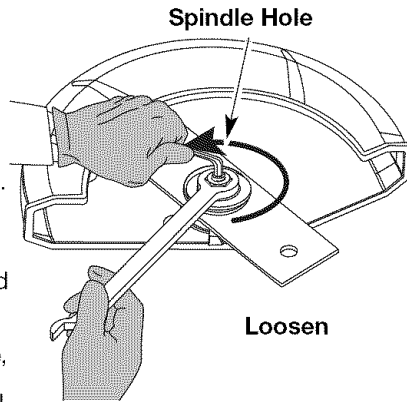


Fig. 19

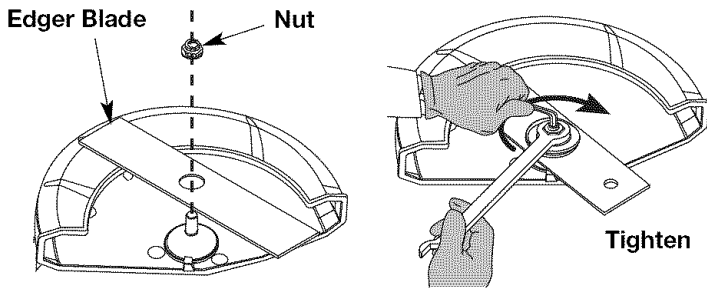


Fig. 20

Fig. 21

NOTE: Make sure that the blade stays flat and centered against the output shaft throughout installation.

WARNING: Verify the blade is flat against the output shaft after the nut is tightened. If the blade is off-center, the unit will be damaged by vibration, and the blade may fly off, which can cause serious personal injury.

REPLACEMENT PARTS

Blade..... 753-05562
 Nut 753-05549

Use only Craftsman replacement parts.

CHECKING THE OIL LEVEL

The importance of checking and maintaining the proper oil level in the crankcase cannot be overemphasized. Check oil before each use:

1. Stop the engine and allow oil to drain into the crankcase.
2. Place the unit on a level surface to get an accurate oil level reading (Fig. 22).

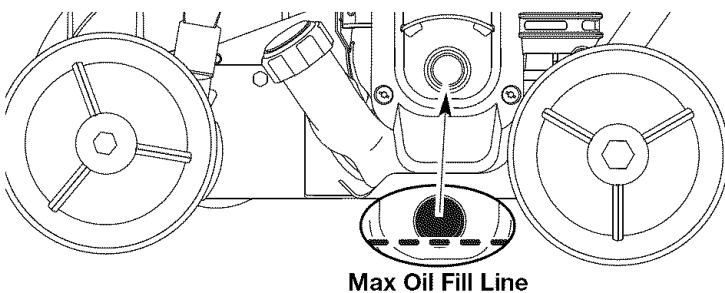


Fig. 22

3. Keep dirt, grass clippings and other debris out of the engine. Clean the area around the oil fill plug before removing it.
4. Remove the oil fill plug.

5. Look into the oil fill hole, use a flashlight if needed. The oil should be just touching the innermost thread (Fig. 22).
6. If the oil level is not touching the innermost thread on the oil fill hole, add a small amount of oil to the oil fill hole and recheck (Fig. 23). Repeat this procedure until the oil level reaches the innermost thread on the oil fill hole.

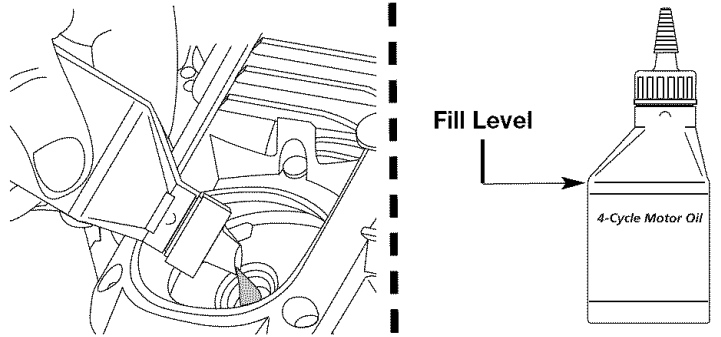


Fig. 23

NOTE: Do not overfill the unit.

NOTE: Make sure the O-ring is in place on the oil fill plug when checking and changing the oil (Fig. 8).

CHANGING THE OIL

CAUTION: Wear gloves to prevent injury when handling the unit.

For a new engine, change the oil after the first 10 hours of operation. Change the oil while the engine is still warm. The oil will flow freely and carry away more impurities.

1. Unplug spark plug boot to prevent accidental starting.
2. Remove the oil fill plug.
3. Pour the oil out of the oil fill hole and into a container by tipping the unit to a vertical position (Fig. 24). Allow ample time for complete drainage.
4. Wipe up any oil residue on the unit and clean up any oil that may have spilled. Dispose of the oil according to Federal, State and local regulations.
5. Refill the crankcase with 3.04 fluid ounce (90 ml or 3/8 cup) of SAE 30 SF, SG, SH oil.

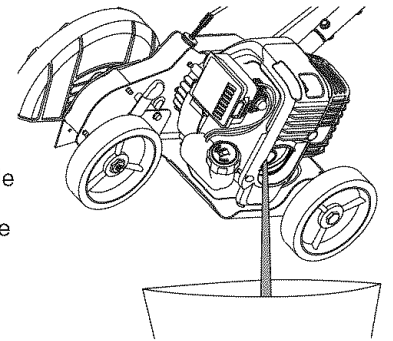


Fig. 24

NOTE: Use the bottle and spout saved from initial use to measure the correct amount of oil. The top of the label on the bottle measures approximately 3.04 ounces (90 ml or 3/8 cup) (Fig. 23). Check the level; See Checking the Oil Level. If the level is low, add a small amount of oil and recheck. Do not overfill (Fig. 23).

6. Replace the oil fill plug.
7. Reconnect the spark plug boot.

AIR FILTER MAINTENANCE

Cleaning the Air Filter

WARNING: To avoid serious personal injury, always turn the unit off and allow it to cool before you clean or service it.

Clean and re-oil the air filter every 10 hours of operation. It is an important item to maintain. Failure to maintain your air filter properly can result in poor performance or can cause permanent damage to your engine.

1. Open the air filter cover. Push the tab on the left side of the cover in, then swing the air filter cover out and off of the air filter housing (Fig. 25).
2. Remove the air filter and the screen that sits behind it (Fig. 25).
3. Wash the filter in detergent and water (Fig. 26). Rinse the filter thoroughly and allow it to dry.
4. Apply enough clean SAE 30 motor oil to lightly coat the filter (Fig. 27).
5. Squeeze the filter to spread and remove excess oil (Fig. 28).
6. Replace the filter (Fig. 25).

MAINTENANCE AND REPAIR INSTRUCTIONS

NOTE: If the unit is operated without the air filter, you will VOID the warranty.

7. Reinstall the air filter cover. Position the tabs on the sides of the air filter cover onto the slots at the top of the back plate (Fig. 25).
8. Push the cover in until the tab on the air filter backplate snaps into place in the slot on the air filter cover (Fig. 25).

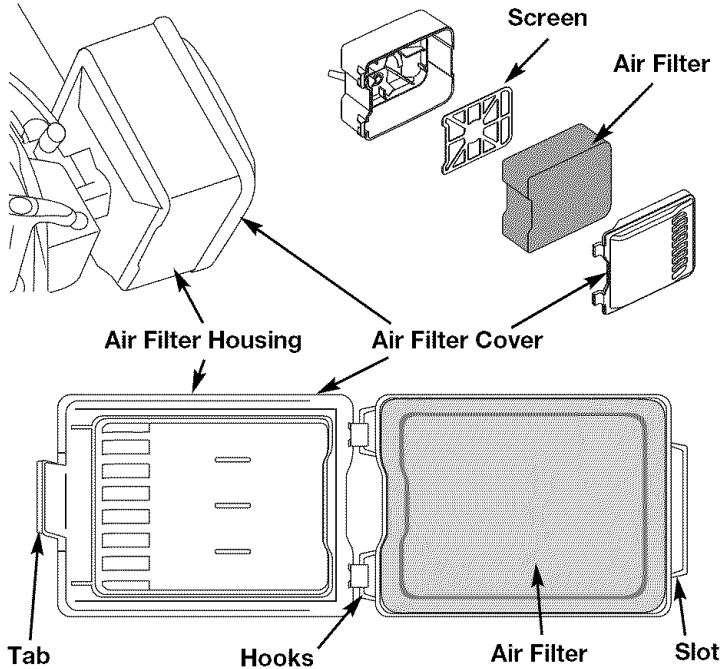


Fig. 25

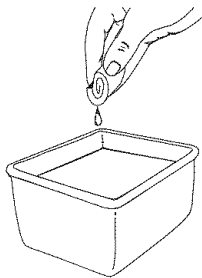


Fig. 26

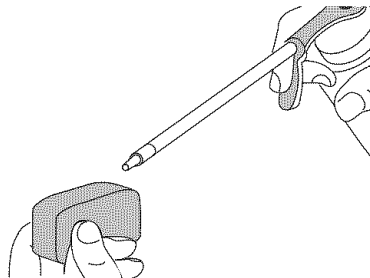


Fig. 27

IDLER SPEED ADJUSTMENT



WARNING: To prevent serious personal injury, make sure the blade has stopped rotating before you turn it off.

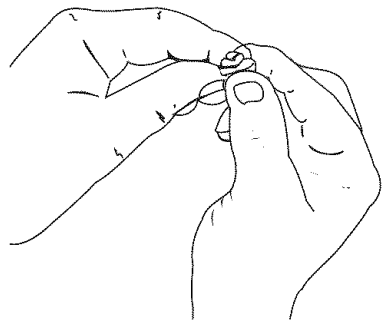


Fig. 28

The idle speed of the engine is adjustable. An idle adjustment screw is between the air filter cover and the engine starter housing (Fig. 29).

NOTE: Careless adjustments can seriously damage your unit. Aside from the idle speed, only a Sears or other qualified service dealer should make carburetor adjustments.

1. Check Fuel

Old fuel is usually the reason for improper unit performance. Drain and refill the tank with fresh fuel prior to making any adjustments. Refer to Oil and Fuel Information.

2. Clean Air Filter

The condition of the air filter is important to the operation of the unit. A dirty air filter will restrict air flow. This is often mistaken for an out

of adjustment idle. Check the condition of the air filter before adjusting the idle speed screw. Refer to Air Filter Maintenance.

3. Adjust Idle Speed Screw

If, after checking the fuel and cleaning the air filter, the engine still will not idle, adjust the idle speed screw as follows:

1. Start the engine and let it run at a high idle for a minute to warm up. Refer to Starting/Stopping Instructions.
2. Move the throttle control lever to the Slow position (➔) and let the engine idle. If the engine stops, insert a small phillips in between the Air Filter Cover and the Engine Cover (Fig. 29).

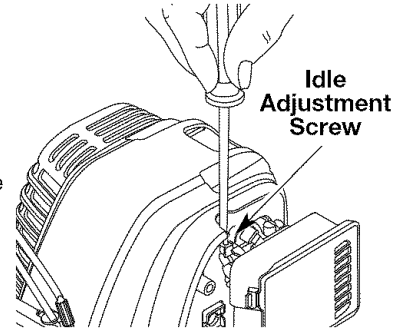


Fig. 29

NOTE: Do not engage the Blade Clutch Lever while adjusting the idle speed screw to ensure that the blade will not rotate.

3. Turn the idle speed screw in, **clockwise**, 1/8 of a turn at a time (as needed) until the engine idles smoothly.

Checking the fuel, cleaning the air filter, and adjusting the idle speed should solve most engine problems. If not and all of the following are true:

- the engine will not idle
- the engine hesitates or stalls on acceleration
- there is a loss of engine power

Have the carburetor adjusted by an authorized service dealer.

ROCKER ARM CLEARANCE

This requires disassembly of the engine. If you feel unsure or unqualified to perform this, take the unit to an authorized service center.

NOTE: Inspect the valve to rocker arm clearance with a feeler gauge after the first 10 hours of operation and every 25 hours of operation.

- The engine must be cold when checking or adjusting the valve clearance.
 - This task should be performed inside, in a clean, dust free area.
1. Remove the six (6) screws on the back of the engine cover with a Flat-head or T-25 Torx screwdriver (Fig. 30).

2. Disconnect the spark plug wire.
3. Clean dirt from around the spark plug. Remove the spark plug from the cylinder head by turning a 5/8 in. socket counterclockwise.
4. Remove the engine cover (Fig. 30).
5. Clean dirt from around the rocker arm cover. Remove the screw holding the rocker arm cover with a large flat blade screwdriver or Torx T-25 bit (Fig. 31). Remove the rocker arm cover and gasket.

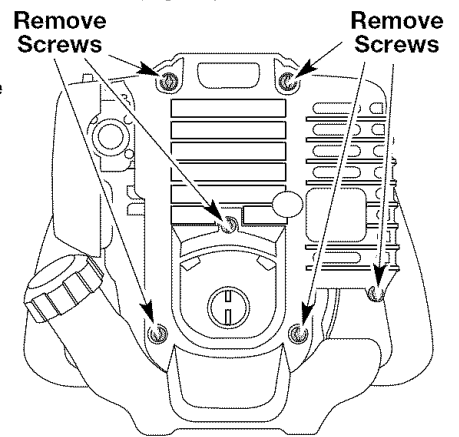


Fig. 30

6. Pull the starter rope slowly to bring the piston to the top of its travel, (known as top dead center). Check that:

- The piston is at the top of its travel. Look in the spark plug hole to view the piston (Fig. 32)
- Both rocker arms move freely, and both valves are closed

If these statements are not true, repeat step 6.

7. Slide the feeler gauge between the rocker arm and the top of each valve stem. Measure the clearance

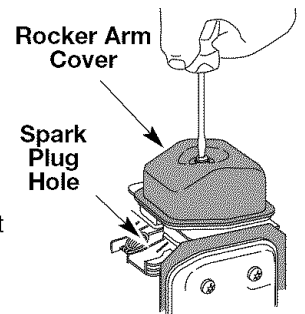


Fig. 31

MAINTENANCE AND REPAIR INSTRUCTIONS

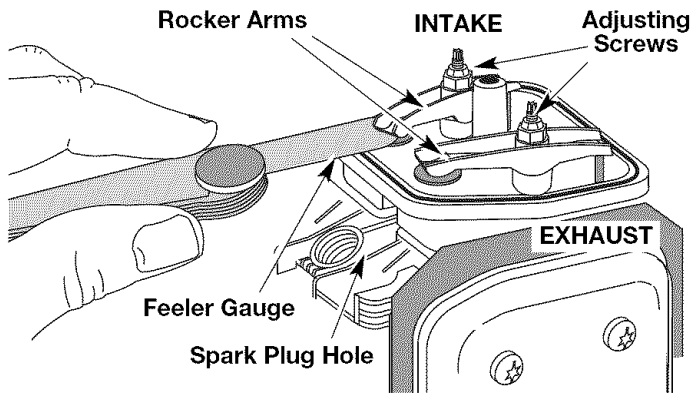


Fig. 32

between the valve stem and rocker arm (Fig. 32). Measure both the intake and exhaust valves.

The recommended clearance for both intake and exhaust is .003–.006 in. (.076 – 0.152 mm). Use a standard automotive .005 in. (0.127 mm) feeler gauge. The feeler gauge should slide between the rocker arm and valve stem with a slight amount of resistance, without binding. See Figures 32 and 33.

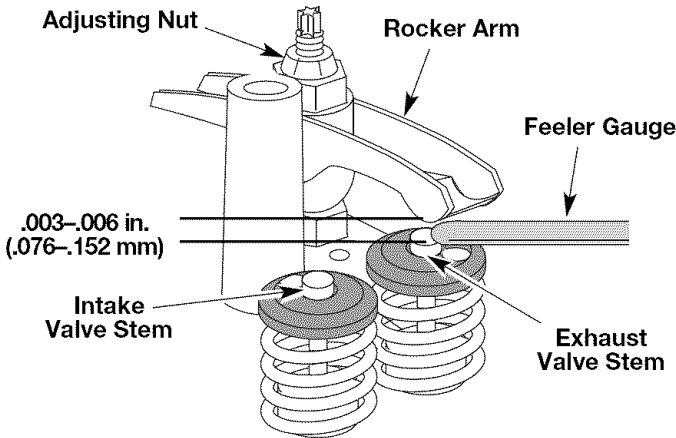


Fig. 33

8. If the clearance is not within specification:
 - a. Turn the adjusting nut using a 5/16 inch (8 mm) wrench or nut driver (Fig. 32).
 - To increase clearance, turn the adjusting nut counterclockwise.
 - To decrease clearance, turn the adjusting nut clockwise.
 - b. Recheck both clearances, and adjust as necessary.
9. Reinstall the rocker arm cover using a new gasket. Torque the screw to 20–30 in•lb (2.2–3.4 N•m).
10. Check the spark plug and reinstall. See Replacing the Spark Plug.
11. Replace the spark plug wire.
12. Reinstall the engine cover. Check alignment of the cover before tightening the screws. Tighten screws.

REPLACING THE SPARK PLUG

Use a replacement part number **753-05255** spark plug. The correct air gap is 0.025 in. (0.635 mm). Remove the plug after every 25 hours of operation and check its condition.

1. Stop the engine and allow it to cool. Remove the six (6) screws on the back of the engine cover with a Flat-head or T-25 Torx screwdriver (Fig. 30).
2. Grasp the plug wire firmly and pull the cap from the spark plug.
3. Clean dirt from around the spark plug. Remove the spark plug from the cylinder head by turning a 5/8 in. socket counterclockwise.

WARNING: Do not sand blast, scrape or clean electrodes. Grit in the engine could damage the cylinder.

4. Replace cracked, fouled or dirty spark plug. Set the air gap at 0.025 in. (0.635 mm) using a feeler gauge (Fig. 34).

5. Install a correctly-gapped spark plug in the cylinder head. Turn the 5/8 in. socket clockwise until snug.

If using a torque wrench, torque to: **110-120 in.•lb. (12.3-13.5 N•m)**

Do not over tighten.

SPARK ARRESTOR MAINTENANCE

1. Remove the rear engine cover. See Rocker Arm Clearance.
2. With a flat blade screwdriver or Torx T-20 bit and a T-25 bit, remove the screws attaching the spark arrestor cover to the muffler (Fig. 35).
3. Pull the tab on the spark arrestor cover out of the muffler. Remove the spark arrestor cover.
4. Remove the spark arrestor screen from the spark arrestor cover.
5. Clean the spark arrestor screen with a wire brush or replace it.
6. Reinstall the spark arrestor screen, spark arrestor cover and screws.

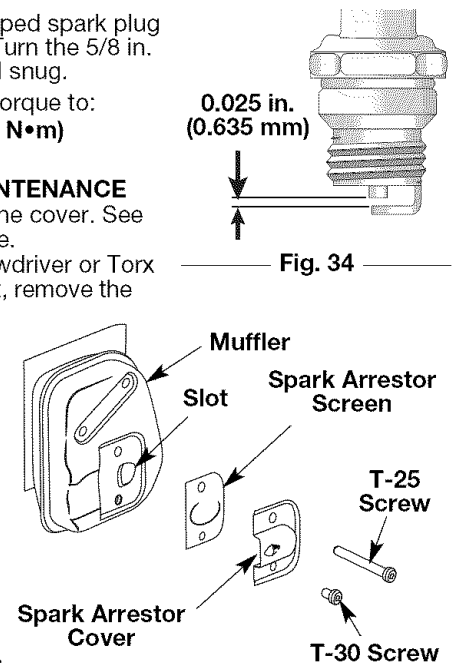


Fig. 34

Fig. 35

CLEANING



WARNING: To avoid serious personal injury, always turn your unit off and allow it to cool before you clean or service it.

Use a small brush to clean off the outside of the unit. Do not use strong detergents. Household cleaners that contain aromatic oils such as pine and lemon, and solvents such as kerosene, can damage plastic housing or handle. Wipe off any moisture with a soft cloth.

STORAGE

- Never store the unit with fuel in the tank where fumes may reach an open flame or spark.
- Allow the engine to cool before storing.
- Lock up the unit to prevent unauthorized use or damage.
- Store the unit in a dry, well-ventilated area.
- Store the unit out of the reach of children.

LONG TERM STORAGE

1. Drain all gasoline from the gas tank into a container. Do not use gas that has been stored for more than 60 days. Dispose of the old gasoline in accordance to Federal, State, and Local regulations.
 2. Start the engine and allow it to run until it stalls. This ensures that all gasoline has been drained from the carburetor.
 3. Allow the engine to cool. Remove the spark plug and put 5 drops of high quality motor oil into the cylinder. Pull the starter rope slowly to distribute the oil. Reinstall the spark plug.
- NOTE:** Remove the spark plug and drain all of the oil from the cylinder before attempting to start the edger after storage.
4. Change the oil, referring to Changing the Oil. Dispose of the old oil in accordance to Federal, State and Local regulations.
 5. Thoroughly clean the unit and inspect for any loose or damaged parts. Repair or replace damaged parts and tighten loose screws, nuts or bolts. The unit is ready for storage.

TRANSPORTING

- Allow the engine to cool before transporting.
- Secure the unit while transporting.
- Drain the gas tank before transporting.
- Tighten gas cap before transporting.

MAINTENANCE AND REPAIR INSTRUCTIONS

REPLACING THE DRIVE BELT

To replace the drive belt:

1. Place the unit on a level surface, preferably a workbench.
2. Move the depth adjustment lever all the way forward (Fig. 36) to raise the front wheel enough to provide clearance for the blade to turn freely.

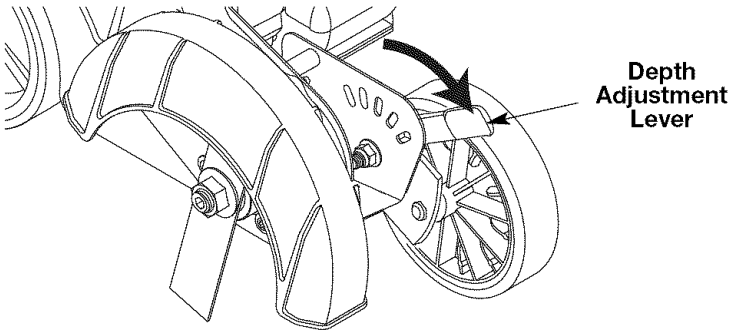


Fig. 36

3. Using a flat-head or T-20 Torx screwdriver, remove the 3 Torx screws holding the belt cover to the belt housing (Fig. 37).

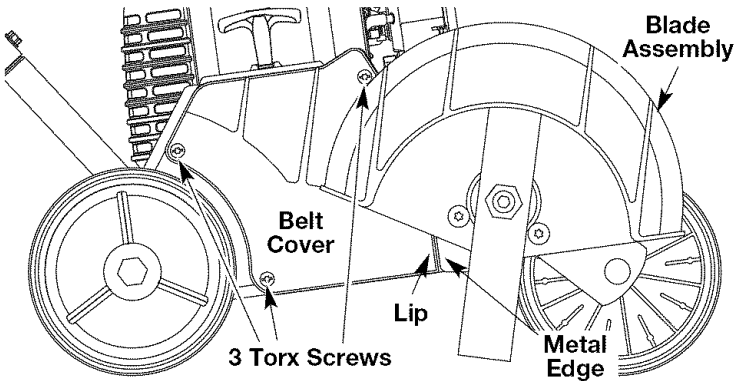


Fig. 37

4. Remove the belt cover.
5. Using a 3/8-inch wrench, remove the three hex screws holding the blade assembly to the belt housing (Fig. 38).

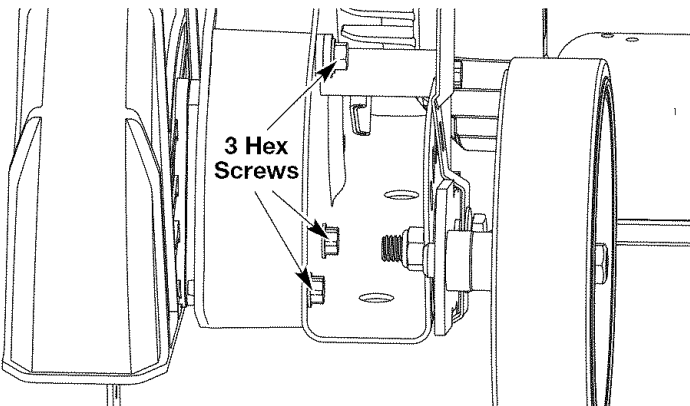


Fig. 38

6. Remove the blade assembly from the belt housing and the belt from the blade assembly.
7. Using a 3/8-inch wrench, remove the screw holding the belt guard to the unit chassis (Fig. 39).
8. Remove the belt guard and belt.
9. Insert a new belt into the belt guard (Fig. 40).
10. Place the belt guard and belt over the drive pulley (Fig. 39). Make sure the bottom of the belt rests on the belt tensioner (Fig. 39).
11. While holding the belt guard and belt in place, hand-start the screw that holds the belt guard in place.
12. Using a 3/8-inch wrench, tighten the belt guard hex screw.

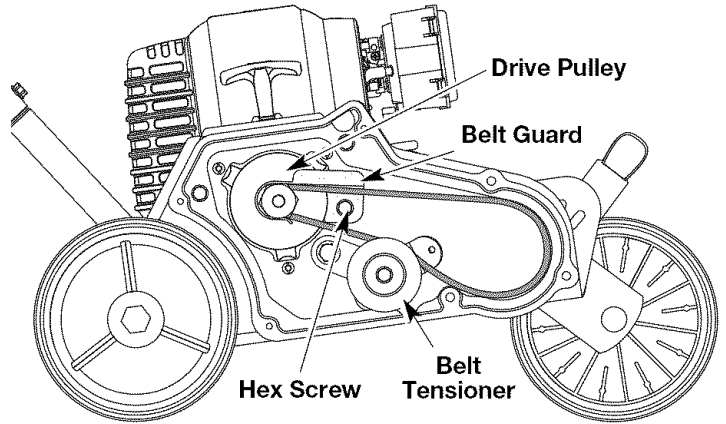


Fig. 39

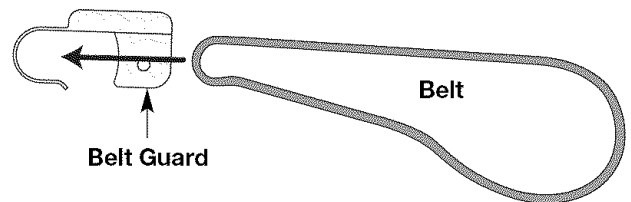


Fig. 40

13. Torque the hex screw to 80–100 in.lbs.
14. Hold the blade assembly next to the belt housing and place the belt over the plastic blade pulley (Fig. 41).

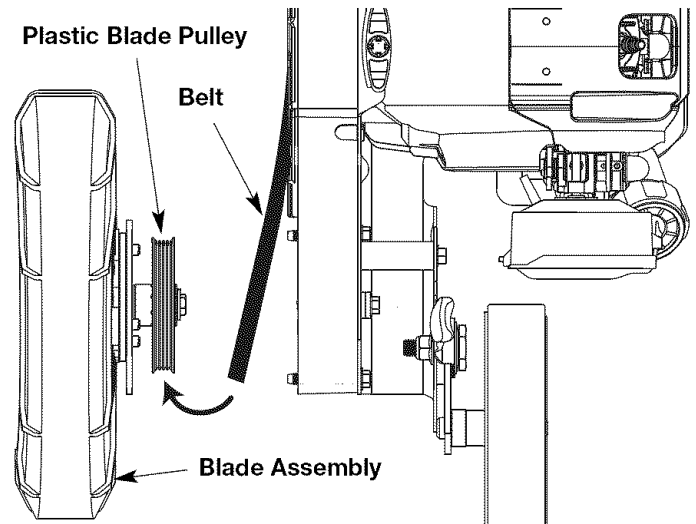


Fig. 41

15. Align the grooves and ridges inside the belt with the ridges and grooves on the pulley.
16. Insert the blade assembly into the belt housing. Make sure that the bottom of the belt rests on the belt tensioner (Fig. 39).
17. Check to make sure that the belt is still properly aligned with the plastic blade pulley. If it has moved, realign the belt with the plastic blade pulley as described in step 15 above.
18. While holding the blade assembly in place, hand-start the hex screws that hold the blade assembly in place (Fig. 38).
19. Using a 3/8-inch wrench, tighten the hex screws.
20. Torque the hex screws to 85–95 in.lbs.
21. Slide the belt cover behind the blade assembly so that the lip of the blade cover fits behind the metal edge of the blade assembly (Fig. 37).
22. While holding the belt cover in place, hand start the screw that holds it in place.
23. Using a flat-head or T-20 Torx screwdriver, tighten the screws.
24. Torque the screws to 15–20 in.lbs.

TROUBLESHOOTING

ENGINE WILL NOT START

CAUSE	ACTION
Empty fuel tank	Fill fuel tank with new fuel
Primer bulb wasn't pressed enough	Press primer bulb fully and slowly 10 times
Old fuel	Drain gas tank and add fresh fuel
Fouled spark plug	Replace or clean the spark plug
Plugged spark arrestor	Clean or replace spark arrestor

ENGINE WILL NOT IDLE

CAUSE	ACTION
Air filter is plugged	Replace or clean the air filter
Old fuel	Drain gas tank and add fresh fuel
Improper idle speed	Adjust idle speed

ENGINE WILL NOT ACCELERATE

CAUSE	ACTION
Old fuel	Drain gas tank and add fresh fuel
Blade bound with grass	Stop the engine and clean the blade
Improper carburetor adjustment	Take to a Sears or other qualified service dealer for adjustment
Dirty air filter	Clean or replace the air filter
Plugged spark arrestor	Clean or replace spark arrestor

ENGINE LACKS POWER OR STALLS WHEN CUTTING

CAUSE	ACTION
Old fuel	Drain gas tank and add fresh fuel
Fouled spark plug	Replace or clean the spark plug
Improper carburetor adjustment	Take to a Sears or other qualified service dealer for adjustment
Plugged spark arrestor	Clean or replace spark arrestor
Blade cutting depth too deep	Adjust blade cutting depth

BLADE WILL NOT TURN

CAUSE	ACTION
Blade bound with grass	Stop the engine and clean the blade
Drive belt loose	Adjust belt tension using tension wheel (p. 9, Adjust Belt Tension)
Drive belt broken	Replace belt

If further assistance is required, contact Sears or other authorized service dealer.

NEED MORE HELP?

You'll find the answer and more on managemyhome.com – for free!

- Find this and all your other product manuals online.
- Get answers from our team of home experts.
- Get a personalized maintenance plan for your home.
- Find information and tools to help with home projects.

manage my home

brought to you by Sears

SPECIFICATIONS

ENGINE*

Engine Type	Air-Cooled, 4-Cycle
Displacement	1.8 cu. in. (29 cc)
Operating RPM	6,800+ rpm
Idle Speed RPM	2,800 - 3,600 rpm
Ignition Type	Electronic
On/Off Stop Control	Momentary
Valve clearance	0.003–0.006 in. (0.076–0.152 mm)
Spark Plug Gap	0.025 inch (0.635 mm)
Lubrication	SAE 30 Oil
Crankcase Oil Capacity	3.04 oz (90 ml or 3/8 cup)
Fuel	Unleaded
Carburetor	Diaphragm, All-Position
Starter	Incredi-Pull™ Auto Rewind
Muffler	Baffled with Guard
Throttle	Variable Speed
Fuel Tank Capacity	14 oz (414 ml)

UNIT*

Unit Weight	22.1 lbs. (10.02 kg.)
Cutting Depth (maximum)	1.75 in. (44.5 mm)

* All specifications are based on the latest product information available at the time of printing. We reserve the right to make changes at any time without notice.

California / EPA Emission Control Warranty Statement

Your Warranty Rights and Obligations

The California Air Resources Board, the Environmental Protection Agency, and Sears Brands LLC (Sears) are pleased to explain the emission control system warranty on your 2007 and later small off-road engine. In California and the 49 states, new small off-road engines must be designed, built and equipped to meet the state's stringent anti-smog standards. Sears must warrant the emission control system on your small off-road engine for the periods of time listed below provided there has been no abuse, neglect or improper maintenance of your small off-road engine.

Your emission control system may include parts such as the carburetor or fuel-injection system, the ignition system, and catalytic converter. Also included may be hoses, belts, connectors and other emission-related assemblies.

Where a warrantable condition exists, Sears will repair your small off-road engine at no cost to you including diagnosis, parts and labor.

The 2007 and later small off-road engines are warranted for two years. If any emission-related part on your engine is defective, the part will be repaired or replaced by Sears.

Owners Warranty Responsibilities

As the small off-road engine owner, you are responsible for the performance of the required maintenance listed in your operator's manual. Sears recommends that you retain all receipts covering maintenance on your small off-road engine, but Sears cannot deny warranty solely for the lack of receipts or for your failure to ensure the performance of all scheduled maintenance.

- As the small off-road engine owner, you should however be aware that Sears may deny you warranty coverage if your small off-road engine or a part has failed due to abuse, neglect, improper maintenance or unapproved modifications.
- You are responsible for presenting your small off-road engine to a Sears Authorized Service Center as soon as a problem exists. The warranty repairs should be completed in a reasonable amount of time, not to exceed 30 days.

If you have any questions regarding your warranty rights and responsibilities, you should call **1-800-659-5917**.

Manufacturer's Warranty Coverage

- The warranty period begins on the date the engine or equipment is delivered to the retail purchaser.
- The manufacturer warrants to the initial owner and each subsequent purchaser, that the engine is free from defects in material and workmanship which cause the failure of a warranted part for a period of two years.
- Repair or replacement of warranted part will be performed at no charge to the owner at an Authorized Sears Service Center. For the nearest location please contact Sears at: **1-800-659-5917**.
- Any warranted part which is not scheduled for replacement, as required maintenance or which is scheduled for only for regular inspection to the effect of "Repair or Replace as Necessary" is warranted for the warranty period. Any warranted part which is scheduled for replacement as required maintenance will be warranted for the period of time up to the first scheduled replacement point for that part.
- The owner will not be charged for diagnostic labor which leads to the determination that a warranted part is defective, if the diagnostic work is performed at an Authorized Sears Service Center.
- The manufacturer is liable for damages to other engine components caused by the failure of a warranted part still under warranty.
- Failures caused by abuse, neglect or improper maintenance are not covered under warranty.
- The use of add-on or modified parts can be grounds for disallowing a warranty claim. The manufacturer is not liable to cover failures of warranted parts caused by the use of add-on or modified parts.

- In order to file a claim, go to your nearest Authorized Sears Service Center. Warranty services or repairs will be provided at all Authorized Sears Service Centers.
- Any manufacturer approved replacement part may be used in the performance of any warranty maintenance or repair of emission related parts and will be provided without charge to the owner. Any replacement part that is equivalent in performance or durability may be used in non-warranty maintenance or repair and will not reduce the warranty obligations of the manufacturer.

Emission Warranty Parts List:

The following components are included in the emission-related warranty of the engine: air filter, carburetor, primer, fuel lines, fuel pick up/ fuel filter, ignition module, spark plug, and muffler. Valves and Cam are additionally included if your engine is a 4-Stroke Model.

California Evaporative Emission Control Warranty Statement
Your Warranty Rights and Obligations

The California Air Resources Board and Sears Brands LLC (Sears) is pleased to explain the evaporative emission control system's warranty on your 2007 model year and later small off-road (equipment type) engine. In California, new equipment that use small off-engines must be designed, built, and equipped to meet the State's stringent anti-smog standards Sears must warrant the evaporative emission control system on your small off-road Lawn & Garden engine for the period listed below provided there has been no abuse, neglect or improper maintenance of your equipment.

Your evaporative emission control system may include parts such as: carburetors, fuel tanks, fuel lines, fuel caps, valves, canisters, filters, vapor hoses, clamps, connectors, and other associated components. For engines less than or equal to 80 cc, only the fuel tank is subject to the evaporative emission control warranty requirements of this section. The displacement of your small off road engine is less than 80 cc.

Manufacturer's Warranty Coverage

This evaporative emission control system is warranted for two years. If any evaporative emission-related part on your equipment is defective, the part will be repaired or replaced by Sears.

Owner's Warranty Responsibilities

- As the small off-road Lawn & Garden engine owner, you are responsible for performance of the required maintenance listed in your owner's manual. Sears recommends that you retain all receipts covering maintenance on your Lawn & Garden Engine but Sears cannot deny warranty solely for the lack of receipts.
- As the small off-road Lawn & Garden engine owner, you should however be aware that the Sears may deny you warranty coverage if your fuel tank has failed due to abuse, neglect, or improper maintenance or unapproved modifications.
- You are responsible for presenting your Lawn & Garden fuel tank to Sears distribution center or service center as soon as the problem exists. The warranty repairs should be completed in a reasonable amount of time, not to exceed 30 days. If you have a question regarding your warranty coverage, you should contact Sears at **1-800-659-5917**.

Defects Warranty Requirements

- (a) The warranty period begins on the date the engine or equipment is delivered to an ultimate purchaser.
- (b) General Evaporative Emissions Warranty Coverage. The fuel tank must be warranted to the ultimate purchaser and any subsequent owner that the evaporative emission control system when installed was:
 - (1) Designed, built, and equipped so as to conform with all applicable regulations; and
 - (2) Free from defects in materials and workmanship that causes the failure of a warranted part for a period of two years.
- (c) The warranty on evaporative emissions-related parts will be interpreted as follows:
 - (1) Any warranted part that is not scheduled for replacement as required maintenance in the written instructions must be warranted for the warranty period defined in subsection (b)(2). If any such part fails during the period of warranty coverage, it must be repaired or replaced by Sears. Any such part repaired or replaced under the warranty must be warranted for a time not less than the remaining warranty period.
 - (2) Any warranted part that is scheduled only for regular inspection in the written instructions must be warranted for the warranty period defined in subsection (b)(2). A statement in such written instructions to the effect of "repair or replace as necessary" will not reduce the period of warranty coverage. Any such part repaired or replaced under warranty must be warranted for a time not less than the remaining warranty period.
 - (3) Any warranted part that is scheduled for replacement as required maintenance in the written instructions must be warranted for the period of time prior to the first scheduled replacement point for that part. If the part fails prior to the first scheduled replacement, the part must be repaired or replaced by the Sears. Any such part repaired or replaced under warranty must be warranted for a time not less than the remainder of the period prior to the first scheduled replacement point for the part.
 - (4) Repair or replacement of any warranted part under the warranty provisions of this article must be performed at no charge to the owner at a warranty station.
 - (5) Notwithstanding the provisions of subsection (4) above, warranty services or repairs must be provided at distribution centers that are franchised to service the subject engines or equipment.
 - (6) The owner must not be charged for diagnostic labor that leads to the determination that a warranted part is in fact defective, provided that such diagnostic work is performed at a warranty station.
 - (7) Throughout the evaporative emission control system's warranty period set out in subsection (b)(2), Sears must maintain a supply of warranted parts sufficient to meet the expected demand for such parts.
 - (8) Manufacturer approved replacement parts must be used in the performance of any warranty maintenance or repairs and must be provided without charge to the owner. Such use will not reduce the warranty obligations of the manufacturer issuing the warranty.
 - (9) The use of any add-on or modified parts will be grounds for disallowing a warranty claim made in accordance with this article. The manufacturer issuing the warranty will not be liable under this Article to warrant failures of warranted parts caused by the use of an add-on or modified part.
 - (10) Sears shall provide any documents that describe the warranty procedures or policies within five working days of request by the Air Resources Board.

Emission Warranty Parts List

- (1) Fuel Tank

Written instructions for the maintenance and use of the evaporative emissions control system by the owner shall be furnished with each new engine or equipment.

Manual del Operador



4-Tiempos a gasolina

RECORTADOR DE BORDES

Model No. 316.772370

INCREDI-PULL™
UNBELIEVABLE STARTING EASE™



PRECAUCIÓN: Antes de utilizar este producto, lea este manual y siga todas las reglas de seguridad y las instrucciones de funcionamiento.

- SEGURIDAD
- MONTAJE
- FUNCIONAMIENTO
- MANTENIMIENTO
- LISTADO DE PIEZAS

Sears, Roebuck and Co., Hoffman Estates, IL 60179, U.S.A.
Visite nuestro sitio web: www.sears.com/craftsman

NORMAS PARA UNA OPERACIÓN SEGURA


INDICE DE CONTENIDOS

Normas para una operación segura	E2
Garantía	E4
Conozca su unidad	E5
Instrucciones de ensamble	E6
Información del aceite y del combustible	E7
Instrucciones de arranque y apagado	E8
Instrucciones de operación	E9
Instrucciones de mantenimiento y reparación	E9
Limpieza y almacenamiento	E12
Cuadro de solución de problemas	E13
Especificaciones	E14
Lista de Piezas	E17

PARACHISPAS


NOTA: Para los usuarios en tierras forestales de los EE.UU. y en los estados de California, Maine, Oregon y Washington. Todos los terrenos forestales de los EE.UU. y el estado de California (Códigos de Recursos Públicos 4442 y 4443), Oregon y Washington, requieren por decreto, que ciertos motores de combustión interna que se hagan funcionar en zonas boscosas y/o zonas cubiertas por pastizales, estén equipados con un parachispas, que sean mantenidos en buen estado de funcionamiento o que el motor sea construido, esté equipado y sea mantenido para evitar incendios. Consulte los reglamentos pertinentes a esos requisitos con las autoridades estatales o locales. El incumplimiento de esos requisitos puede responsabilizarle o someterle a la imposición de una multa. **Esta unidad fue equipada en la fábrica con un parachispas.** Si requiere sustitución, hay una **Pantalla Parachispas disponible, Pieza # 753-05297** al contactar el departamento de servicio.

PROPOSICIÓN 65 DE CALIFORNIA

	ADVERTENCIA	
<p>LAS EMISIONES DEL MOTOR DE ESTE PRODUCTO CONTIENEN SUBSTANCIAS QUIMICAS QUE EL ESTADO DE CALIFORNIA CONOCE COMO CAUSANTES DE CANCER, DEFECTOS DE NACIMIENTO U OTROS DAÑOS REPRODUCTIVOS.</p>		

• IMPORTANTE INFORMACIÓN DE SEGURIDAD •

LEA TODAS LAS INSTRUCCIONES ANTES DE LA OPERACIÓN

	<p>ADVERTENCIA: Al utilizar la unidad, debe observar las reglas de seguridad. Lea estas instrucciones antes de operar la unidad a fin de garantizar la seguridad del operador y cualquier transeúnte. Guarde estas instrucciones para uso posterior.</p>
--	---

- Lea cuidadosamente y entienda el manual del operador de la unidad que impulsa a este acople.
- Lea este manual de instrucciones de funcionamiento detenidamente. Familiarícese completamente con los controles y el uso apropiado del equipo. Sepa cómo apagar la unidad y desactivar los controles con rapidez.
- No opere esta unidad si está cansado, enfermo, o bajo los efectos del alcohol, drogas o medicamentos.
- Nunca permita que los niños manejen el equipo. Nunca permita que los adultos usen la unidad cuando no estén familiarizados con las instrucciones. Nunca permita que las personas adultas manejen el equipo si no cuentan con las instrucciones apropiadas.
- Se debe instalar adecuadamente todos los protectores y dispositivos de seguridad antes de hacer funcionar la unidad.
- Inspeccione la unidad antes de usarla. Compruebe que la cuchilla esté instalada correctamente y que esté segura.
- Despeje el área que va a bordear antes de cada uso. Quite todos los objetos tales como piedras, vidrios quebrados, clavos, alambre o cuerdas que puedan ser lanzados o que se puedan enredar en el aditamento de bordeado.

Los símbolos de seguridad se utilizan para llamar su atención sobre posibles peligros. Los símbolos de seguridad y sus explicaciones merecen toda su atención y comprensión. Los símbolos de seguridad no eliminan ningún peligro por sí mismos. Las instrucciones o advertencias que ofrecen no substituyen las medidas adecuadas de prevención de accidentes.

SIMBOLO SIGNIFICADO


	<p>ALERTA DE SEGURIDAD : Indica peligro, advertencia o precaución. Debe prestar atención para evitar sufrir graves lesiones personales. Puede ser utilizado junto con otros símbolos o figuras.</p>
	<p>PELIGRO : El no obedecer una advertencia de seguridad puede conducir a que usted u otras personas sufran graves lesiones. Siga siempre las precauciones de seguridad para reducir el riesgo de incendio, descarga eléctrica y lesiones personales.</p>
	<p>ADVERTENCIA : El no seguir una advertencia de seguridad puede conducir a que usted u otras personas sufran lesiones. Siga siempre las precauciones de seguridad para reducir el riesgo de incendio, descarga eléctrica y lesiones personales.</p>
	<p>PRECAUCIÓN : El no seguir una advertencia de seguridad puede conducir a daño patrimonial o a que usted u otras personas sufran lesiones personales. Siga siempre las precauciones de seguridad para reducir el riesgo de incendio, descarga eléctrica y lesiones personales.</p>

REMARQUE: Le ofrece información o instrucciones que son esenciales para la operación o mantenimiento del equipo.

Lea el manual del operador y siga todas las advertencias e instrucciones de seguridad. De no hacerlo, el operador y/o los espectadores pueden sufrir graves lesiones.

**SI TIENE PREGUNTAS, LLAME AL
1-800-659-5917**

ADVERTENCIAS DE SEGURIDAD ESPECIALES PARA LOS RECORTADORES DE BORDES

	<p>ADVERTENCIA: La gasolina es muy inflamable, y sus gases pueden explotar si se encienden. Tome las siguientes precauciones:</p>
---	--

- Guarde el combustible únicamente en recipientes designados especialmente y aprobados para el almacenamiento de dichos materiales.
- Apague siempre el motor y espere que se enfríe antes de llenar el tanque de combustible. Nunca quite la tapa del tanque de combustible ni abastezca combustible mientras la unidad esté caliente. No opere nunca esta unidad sin la tapa del combustible bien apretada en su lugar. Afloje la tapa del tanque de combustible lentamente para desahogar la presión del tanque.
- Mezcle y abastezca el combustible en un área limpia, bien ventilada en exteriores donde no haya chispas ni llamas. Quite la tapa del combustible lentamente sólo después de parar el motor. No fume mientras abastece ni mientras mezcla el combustible. Seque todo el combustible que se derrame de la unidad de inmediato.
- Evite crear una fuente de encendido con el combustible derramado. No arranque el motor hasta que los gases se hayan disipado.
- Mueva la unidad a por lo menos 30 pies (9.1 m) de distancia de la fuente y punto de abastecimiento de combustible antes de arrancar el motor. No fume, mantenga las chispas y llamas fuera del área mientras carga o el combustible o mientras opera la unidad.

NORMAS PARA UNA OPERACIÓN SEGURA

- Nunca arranque ni opere la unidad dentro de una sala o edificio cerrado. La respiración de los gases del escape pueden ser letales. Opere esta unidad únicamente en un área exterior bien ventilada.

DURANTE LA OPERACIÓN

- Mantenga retirados a los espectadores, especialmente a los niños y animales domésticos por lo menos a 50 ft (15 m) de distancia.
- Use lentes o gafas de protección que cumplan con las normas ANSI Z87.1-1989, y protección para sus oídos/audición mientras opere esta unidad. Use siempre una máscara facial o para protegerse contra el polvo si la operación levanta polvo.
- Use pantalones largos y gruesos, botas, guantes y camisa de manga larga. No use ropa holgada, alhajas, pantalones cortos, sandalias ni esté descalzo. Sostenga el cabello sobre el nivel de los hombros.
- Use la unidad sólo con luz diurna o con buena luz artificial.
- Use la herramienta correcta. Use esta herramienta sólo para el trabajo para el que fue diseñada.
- No fuerce la unidad. Hará mejor el trabajo y con menos probabilidad de lesión bajo la tasa de funcionamiento que fue diseñada.
- Tenga mucho cuidado cuando retroceda o cuando hale la unidad hacia usted.
- No se estire demasiado. Mantenga siempre una posición y equilibrio adecuados.
- Sostenga siempre la unidad con ambas manos durante la operación. Agarre firmemente ambas manijas o mangos anteriores y posteriores.
- Mantenga las manos, cara y pies lejos de todas las piezas que se muevan. No toque ni intente detener la cuchilla cuando esté girando. No la haga funcionar sin los protectores puestos en su lugar.
- No opere la unidad a una velocidad mayor que la necesaria para recortar bordes. No opere la unidad a alta velocidad cuando no esté recortando bordes.
- Pare siempre la unidad cuando posponga el trabajo o mientras camine entre diferentes zonas de corte.
- Detenga el motor para hacerle mantenimiento, reparaciones, para instalar o quitar la cuchilla. Debe detener la unidad y la cuchilla debe dejar de voltear para que evite lesiones.
- La cuchilla se vuelve bastante filosa con el uso. Póngase guantes gruesos en todo momento cuando manipule, quite, instale o limpie la cuchilla.
- Si golpea o se enreda con algún objeto extraño, pare el motor de inmediato e inspeccione si hay daños. Repare todos los daños antes de intentar continuar la operación. No opere esta unidad con una cuchilla doblada, rajada ni desafilada. Descarte las cuchillas que estén dobladas, alabeadas, agrietadas o rotas.
- Pare la unidad DE INMEDIATO si siente una vibración excesiva.

La vibración es señal de que hay problemas. Inspeccione bien si hay tuercas o pernos flojos o daños antes de continuar. Repare o cambie las piezas afectadas según sea necesario.

- Pare y apague la unidad para hacerle mantenimiento o reparación.
- Mantenga la unidad libre de vegetación y otros materiales. Esas cosas se pueden incrustar entre la cuchilla y la caja de engranajes o el protector.
- La cuchilla en movimiento puede causar lesiones mientras continúa girando después de que pare la unidad. Mantenga el control apropiado de la unidad hasta que la cuchilla deje de voltear completamente.
- Use sólo piezas y accesorios de repuesto genuinos de fábrica para esta unidad. Puede obtenerlos en su proveedor de servicio autorizado. El uso de piezas o accesorios no autorizados puede causar lesiones graves al usuario o daño a la unidad, y la cancelación de su garantía.

MANTENIMIENTO Y ALMACENAJE

- Espere que el motor se enfríe antes de guardar o transportar la unidad. Compruebe que la unidad esté segura al transportarla.
- Guarde la unidad bajo llave en un lugar adecuado y seco para evitar el uso por personas no autorizadas y daños, lejos del alcance de los niños.
- Lave la cuchilla con el agua de la manguera. Limpie la cuchilla con aceite suave para máquinas, para que evite la oxidación.
- Nunca moje ni rocíe la unidad con agua ni con ningún otro líquido. Mantenga las manijas secas, limpias y sin residuos. Limpie la unidad después de cada uso, lea las instrucciones de Limpieza y Almacenamiento.
- Guarde estas instrucciones. Consúltelas con frecuencia y utilícelas para enseñar a otros usuarios. Si le presta esta unidad a alguien, préstele también estas instrucciones.
- Cualquier reparación o procedimientos de mantenimiento que no estén descritos en este manual deben ser hechos únicamente por personal calificado.
- Compruebe frecuentemente el apriete de los pernos de la cizalla, de montaje del motor y otros pernos para que tenga la seguridad de que el equipo esté en buen estado de funcionamiento.
- Cuando guarde la unidad dentro de un edificio, aléjela de fuentes de encendido. Permita que el motor se enfríe antes de guardarla en cualquier caja protectora.
- Si el recortador de bordes se va a almacenar por un período prolongado, consulte siempre las instrucciones que aparecen en Manual de Operador para conocer detalles importantes.
- No intente arreglar la máquina a menos que tenga las herramientas apropiadas y las instrucciones para desensamblarla y arreglarla.

GUARDE ESTAS INSTRUCCIONES

NORMAS PARA UNA OPERACIÓN SEGURA

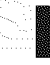




• SIMBOLOS DE SEGURIDAD E INTERNACIONALES •

Este manual del operador describe los símbolos y figuras de seguridad e internacionales que pueden aparecer en este producto. Lea el manual del operador para obtener información completa acerca de la seguridad, ensamble, operación y mantenimiento y reparación.

SÍMBOLO SIGNIFICADO

	<p>• SIMBOLO DE ALERTA DE SEGURIDAD Indica peligro, advertencia o precaución. Puede ser utilizado junto con otros símbolos o figuras.</p>
	<p>• LEA EL MANUAL DEL OPERADOR ADVERTENCIA: Lea el manual del operador y siga todas las advertencias e instrucciones de seguridad. De no hacerlo, el operador y/o los espectadores pueden sufrir graves lesiones.</p>
	<p>• USE PROTECCION OCULAR Y AUDITIVA ADVERTENCIA: Los objetos arrojados por la unidad y el ruido fuerte pueden causar graves lesiones oculares y pérdida auditiva. Utilice protección ocular que cumpla con las normas ANSI Z87.1-1989 y protección auditiva cuando opere esta unidad.</p>
	<p>• MANTENGA ALEJADOS A LOS ESPECTADORES ADVERTENCIA: Mantenga a todos los espectadores, en especial a niños y animales domésticos a por lo menos 50 pies (15 m) del área de corte.</p>
	<p>• COMBUSTIBLE SIN PLOMO Use siempre combustible limpio, nuevo y sin plomo.</p>
	<p>• INDICADOR DE ACEITE Consulte el manual del operador para obtener información acerca del tipo correcto de aceite.</p>

SÍMBOLO SIGNIFICADO

	<p>• CONTROL DE ENCENDIDO Y APAGADO ENCENDIDO /ARRANQUE /MARCHA</p>
	<p>• CONTROL DE ENCENDIDO Y APAGADO APAGADO o PARADO</p>
	<p>• SUPERFICIE CALIENTE ADVERTENCIA: No toque un silenciador ni un cilindro caliente. Puede quemarse. Estas partes se calientan mucho con el uso. Luego de apagarse permanecen calientes durante un corto tiempo.</p>
	<p>• LOS OBJETOS DESPEDIDOS Y LA CUCHILLA ROTATIVA PUEDEN CAUSAR GRAVES LESIONES ADVERTENCIA: No opere esta unidad si la protección plástica de línea no está colocada en su lugar. Manténgase alejado del cuchilla giratorio.</p>
	<p>• RECORTADOR DE BORDES - LA CUCHILLA GIRATORIA PUEDE OCASIONAR LESIONES GRAVES ADVERTENCIA: Pare el motor y espere a que la cuchilla se detenga antes de quitar la cuchilla, o antes de limpiar o realizar cualquier trabajo de mantenimiento. Mantenga las manos y los pies alejados de la cuchilla giratoria.</p>

GARANTÍA

GARANTÍA TOTAL DE CRAFTSMAN

Si este producto de Craftsman Professional falla debido a un defecto en el material o en la mano de obra dentro de un período de tres años a partir de la fecha de compra, devuélvalo a cualquier tienda o Centro de Servicio de Piezas y Reparaciones Sears u otro establecimiento de Craftsman en los Estados Unidos para que sea reparado sin costo alguno (o ser reemplazado si resulta imposible repararlo).

Esta garantía se aplica solamente durante 90 días si este producto en algún momento se utiliza para fines comerciales o de alquiler.

Esta garantía abarca SOLAMENTE los defectos en el material o en la mano de obra. Sears NO pagará:

- Los artículos consumibles que se desgasten debido al uso normal dentro del período de garantía, tal como líneas de corte, filtros de aire o bujías.
- Las reparaciones necesarias debidas a accidente o por no operar o no mantener el equipo de acuerdo con todas las instrucciones provistas.
- Los mantenimientos preventivos o las reparaciones necesarias debido a mezcla incorrecta de combustible, combustible contaminado o viejo.

Esta garantía le concede a usted derechos legales específicos, y usted pudiera tener otros derechos que varían de un estado a otro.

Sears, Roebuck and Co., Hoffman Estates, IL 60179

Convenio de Protección de Reparación

Felicidades por haber realizado una compra inteligente. Su nuevo producto Craftsman® está diseñado y fabricado para ofrecerle años de funcionamiento confiable. Pero como todos los productos, es posible que sea necesario repararlo de vez en cuando. Ahí es cuando tener un Convenio de Protección de Reparación puede ahorrarle dinero y problemas.

Esto es lo que incluye el Convenio de Protección de Reparación*:

- Servicio experto** de nuestros 10,000 especialistas profesionales en reparaciones
- Servicio ilimitado y sin costo** alguno por piezas y mano de obra en todas las reparaciones cubiertas
- Reemplazo del producto** por un valor de hasta \$1500 si el producto cubierto no se puede reparar
- Descuento del 10%** en el precio regular del servicio, así como de las piezas instaladas, que el convenio no cubra; igualmente, 10% de descuento en el precio regular de comprobación de mantenimiento preventivo
- Ayuda rápida por teléfono** – llamamos Solución Rápida – asistencia técnica por teléfono de un representante de Sears. Piense en nosotros como si fuéramos un “manual del usuario que habla”.

Una vez que adquiera el Convenio de Protección de Reparación, todo lo que necesita es hacer una simple llamada para programar el servicio de reparación. Puede llamar a cualquier hora del día o de la noche, o hacer una cita de servicio por Internet.

El Convenio de Protección de Reparación es una compra libre de riesgo. Si usted cancela por cualquier motivo durante el período de garantía del producto, proporcionaremos un reembolso completo. O, un reembolso prorrateado en cualquier momento después de que venza el período de garantía del producto. ¡Adquiera hoy mismo su Convenio de Protección de Reparación!

Aplican algunas limitaciones y exclusiones. Para obtener precios e información adicional en los Estados Unidos, llame al 1-800-827-6655.

***La cobertura en Canadá varía en algunos artículos. Para obtener todos los detalles, llame a Sears en Canadá al 1-800-361-6665.**

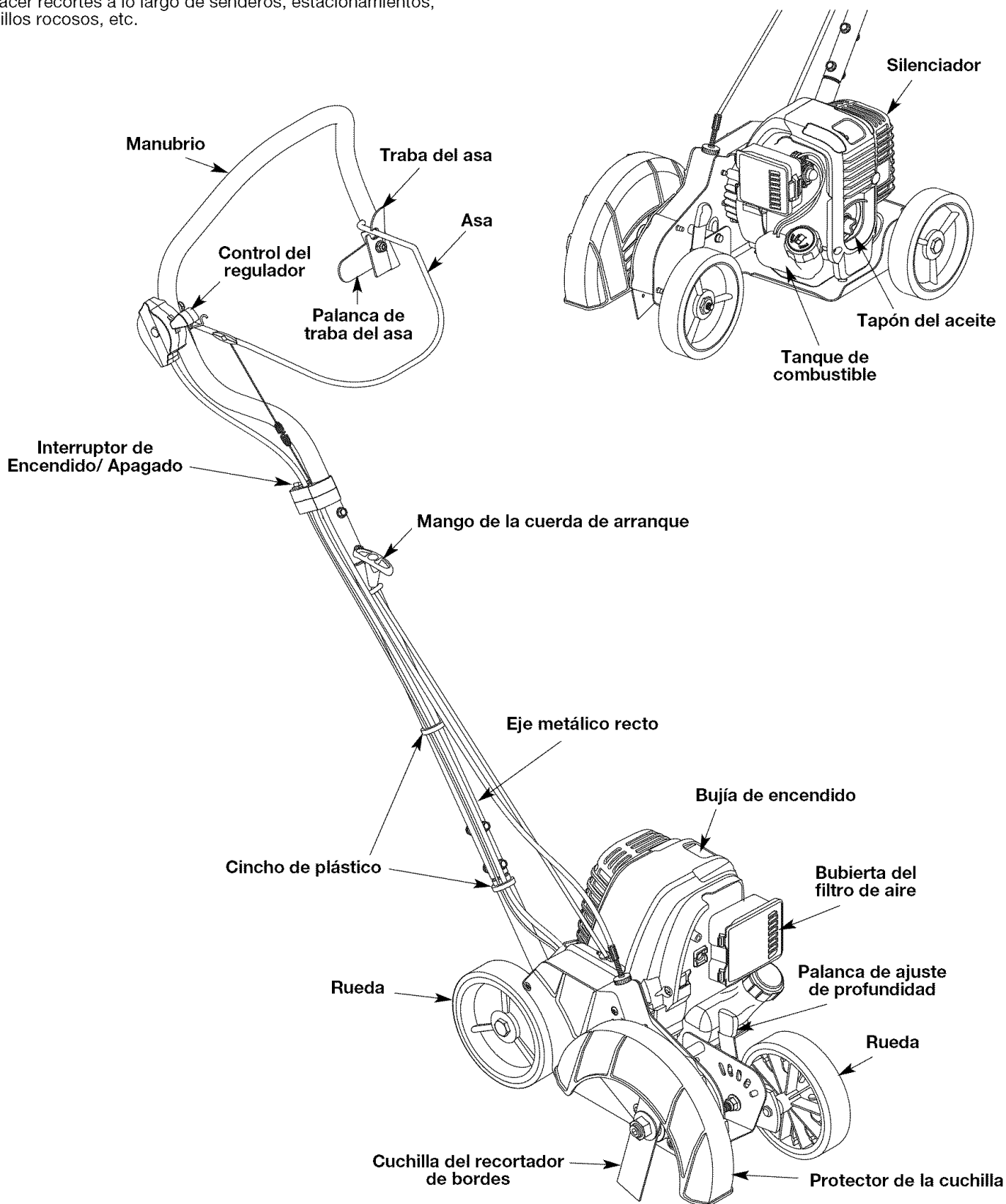
Servicio de Instalación Sears

Para la instalación de electrodomésticos, abridores de puertas de garaje, calentadores de agua, y otros productos para el hogar por profesionales de Sears, en los Estados Unidos o Canadá, llame al **1-800-4-MY-HOME®**.

CONOZCA SU UNIDAD

APLICACIONES

- Para hacer recortes a lo largo de senderos, estacionamientos, jardincillos rocosos, etc.



INSTRUCCIONES DE MONTAJE

ENSAMBLAJE DEL MANGO

1. Quite las tuercas y los pernos solamente del mango intermedio, pero no el gancho de ojo.

NOTA: NO quite el perno y la tuerca del mango superior.

2. Coloque el extremo abocinado del mango intermedio sobre el mango inferior y alinee los agujeros (Fig. 1). Asegúrese de que la etiqueta que dice "PARA ARRANCAR" (TO START) mire hacia arriba.

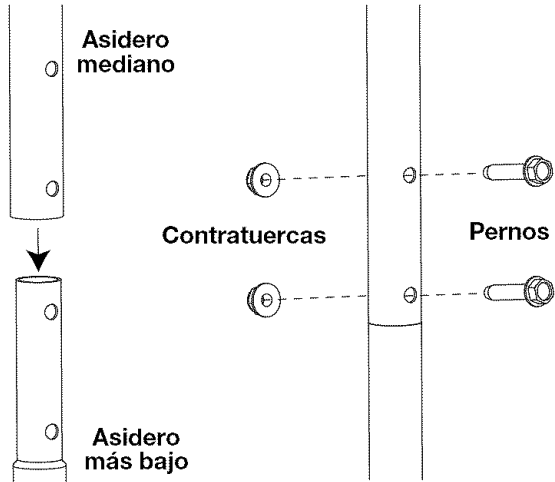


Fig. 1

3. Inserte en estos agujeros dos de los pernos que se quitaron previamente en el **paso 1** y enrosque con las manos las contratuercas en los pernos.
4. Utilizando una llave de 3/8" para sujetar los pernos, apriete las contratuercas con una llave de 7/16" hasta que estén firmes. **NO APRIETE DEMASIADO.**

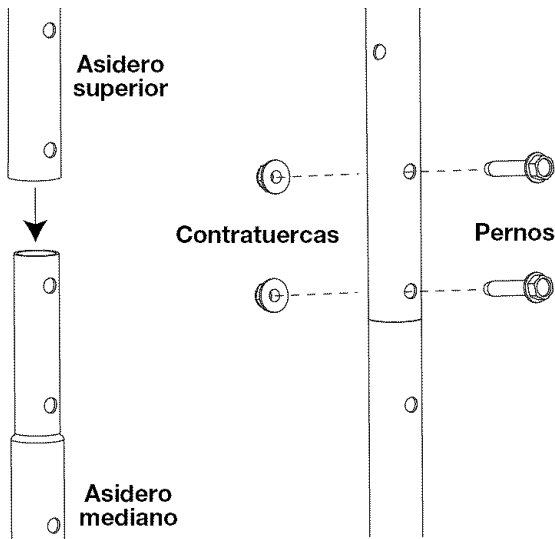


Fig. 2

5. Coloque el extremo abocinado del mango superior sobre el extremo del mango intermedio y asegúrese de alinear los agujeros. (Fig. 2)

6. Inserte en esos agujeros dos de los pernos que se quitaron previamente en el **paso 1** y enrosque con las manos las contratuercas en los pernos.
7. Repita el **paso 4** para apretar este perno.
8. Extienda el conjunto de interruptor / regulador y los

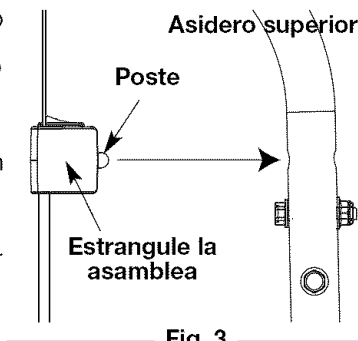


Fig. 3

9. Alinee el poste del conjunto de interruptor / control del regulador con el agujero que se encuentra en el lado del mango superior (Fig. 3).
10. Empuje con firmeza el conjunto de interruptor / regulador sobre el mango superior, asegurándose de que el poste sale ligeramente por el agujero en el lado opuesto.
11. Quite la tuerca y el perno del control del regulador (Fig. 4).

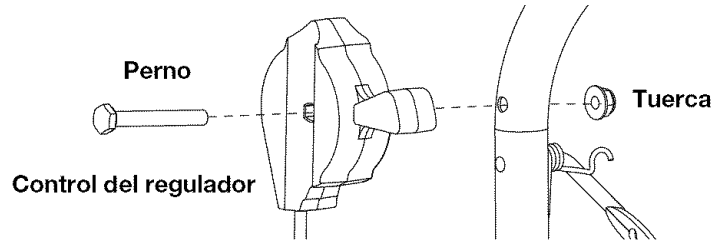


Fig. 4

12. Alinee el control del regulador con el agujero del lado derecho del mango (Fig. 6).
13. Inserte la tuerca a través de agujero y enrosque con la mano la contratuercas (Fig. 4).
14. Utilizando una llave de 3/8" para sujetar el perno, apriete la contratuercas con una llave de 7/16" hasta que estén firmes. **NO APRIETE DEMASIADO.**
15. Corte el cincho de plástico que sujeta el asa al mango (Fig. 5).

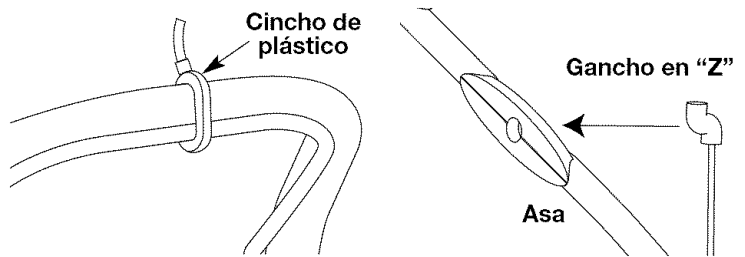


Fig. 5

16. Inserte el gancho en "Z" en el agujero del lado derecho del asa para asegurar el cable del embrague al asa (Fig. 5).

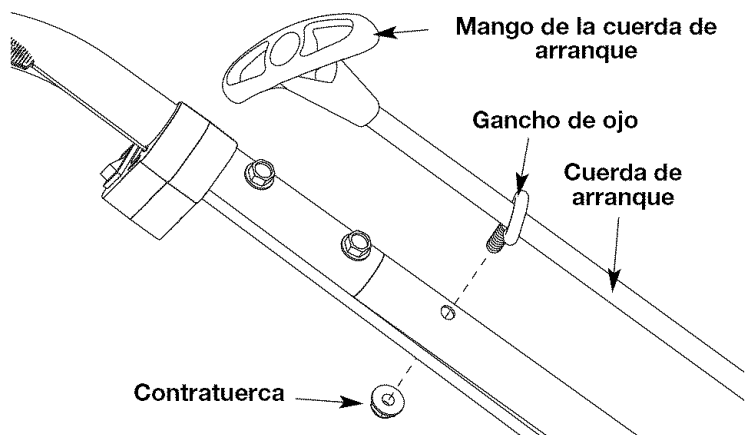


Fig. 6



ADVERTENCIA: NO pase ningún cable de control a través del gancho de ojo. Ya que esto puede evitar que ciertas funciones de seguridad trabajen correctamente.

- NOTA:** Asegúrese de que el alambre del asa esté encima del mango superior y no instalado debajo del mismo.
17. Tire de la cuerda de arranque y deslicela a través del gancho de ojo (Fig. 6).
 18. Atornille la tuerca en el gancho de ojo y utilice una llave de 7/16" para apretar. **NO APRIETE DEMASIADO.**
 19. Utilizando los cinchos de plástico que vienen en la bolsa de piezas, asegure los cables del mango a la mitad del eje metálico recto entre el gancho de ojo y la caja del motor.



ADVERTENCIA: EL LLENAR DEMASIADO EL CÁRTER PUEDE CAUSAR LESIONES PERSONALES GRAVES. No podemos exagerar la importancia del control y mantenimiento del nivel correcto de aceite en el cigüeñal. Verifique el aceite antes de cada uso y cámbielo cuando sea necesario según se indica en la sección de Cambio del aceite.

TIPO DE ACEITE RECOMENDADO

El uso de un aceite del tipo y peso correctos en el cigüeñal es extremadamente importante. Verifique el aceite antes de cada uso y cambie el aceite con frecuencia. Si no usa el aceite correcto, o utiliza aceite sucio, puede causar el desgaste y falla prematuros del motor. Use un aceite de buena calidad SAE 30 de API (American Petroleum Institute) clase de servicio SG, SF, SH.

CARGA DE ACEITE EN EL CARTER DEL CIGÜEÑAL: USO INICIAL

NOTA: Esta unidad se envía sin carga de aceite. A fin de evitar el daño de la unidad, cargue aceite en el cárter del cigüeñal antes de intentar arrancar la unidad.

Su unidad trae una botella de aceite SAE 30 SF, SG, SH de 90 ml (3,04 onzas fluidas) (Fig. 7).

NOTA: Guarde la botella para medir la cantidad correcta de aceite cuando deba cambiarlo en el futuro. Lea Cambio de Aceite.

1. Desenrosque la tapa de la botella de aceite y retire el sello de papel que cubre la apertura. Vuelva a colocar la tapa. Corte la punta de la boquilla del embudo (Fig. 7).
2. Coloque la unidad sobre una superficie plana.
3. Saque el tapón de aceite/varilla de medición del cigüeñal (Fig. 8).
4. Vierta todo el contenido de

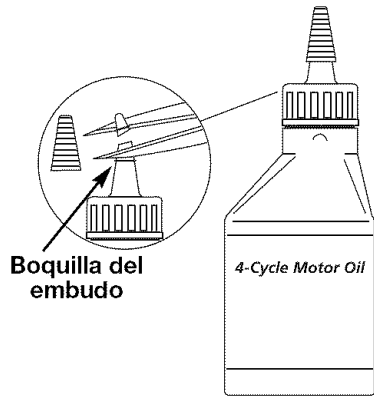


Fig. 7

Tapón de relleno de aceite/varilla de medición

Anillo en "O"

Orificio de llenado de aceite

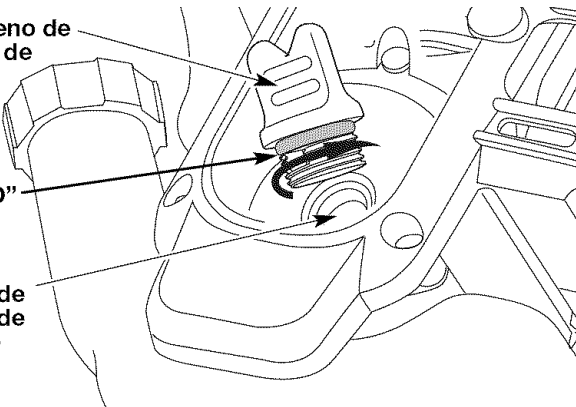


Fig. 8

la botella de aceite en el cigüeñal (Fig. 9).

NOTA: No agregue nunca aceite al gasolina o al tanque de gasolina.

5. Limpie todo el aceite que pueda haberse derramado y vuelva a instalar el tapón del aceite / varilla de medición.

No podemos exagerar la importancia del control y mantenimiento del nivel correcto de aceite en el cigüeñal. Verifique el aceite antes de cada uso y cámbielo cuando sea necesario según se indica en la sección de Cambio del aceite.

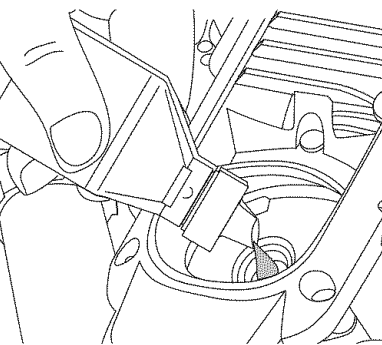


Fig. 9

TIPO DE COMBUSTIBLE RECOMENDADO

La gasolina vieja es la causa principal del mal funcionamiento de la unidad. Asegúrese de usar gasolina nuevo, limpio y sin plomo. Elimine la gasolina vieja de acuerdo a los reglamentos federales, estatales y locales

NOTA: Este es un motor de cuatro tiempos. Para evitar dañar su unidad, no mezcle el aceite con la gasolina.

Definición de los combustibles de mezcla

Los combustibles actuales con frecuencia son una mezcla de gasolina y uno o más oxigenantes como el etano, el metanol o el MTBE (éter). El combustible con mezcla de alcohol absorbe agua. Un porcentaje de agua tan pequeño como el 1% en el combustible puede hacer que el combustible y el aceite se separen. Se forman ácidos mientras está guardado. Cuando use combustible con mezcla de alcohol, use combustible nuevo (almacenado durante menos de 60 días).

Uso de los combustibles de mezcla

Si decide usar un combustible de mezcla o si su uso es inevitable, le recomendamos que tome las siguientes precauciones:

- Use siempre una mezcla fresca de gasolina según lo indica su manual del operador
- Use el aditivo especial de gasolina STA-BIL® o uno similar
- Drene el tanque y haga funcionar el motor en seco antes de guardar la unidad

Uso de aditivos en el combustible

El uso de aditivos en el combustible, como el estabilizador de gasolina STA-BIL® o similar, inhibirá la corrosión y reducirá la formación de depósitos de goma. El uso de aditivos puede evitar que se formen depósitos dañinos en el carburador por hasta ocho (8) meses. Agregue 23 ml (0,8 de onza) de aditivo por galón de combustible de acuerdo a las instrucciones del envase. No agregue NUNCA los aditivos directamente al tanque de combustible de la unidad.

CARGA DE COMBUSTIBLE EN LA UNIDAD



ADVERTENCIA: Cargue el combustible en un área exterior limpia y bien ventilada. Limpie de inmediato todo combustible que se haya derramado. Evite crear una fuente de encendido con el combustible derramado. No arranque el motor hasta que se hayan evaporado los gases del combustible.



ADVERTENCIA: La gasolina es muy inflamable. Los gases pueden explotar si se encienden. Apague siempre el motor y espere que se enfríe antes de cargar el tanque de combustible. No fume mientras llena el tanque. Mantenga las chispas y las llamas lejos del área.

1. Saque la tapa de la gasolina (Fig. 10).



ADVERTENCIA: Saque la tapa del combustible lentamente para evitar lesionarse con el rociado del combustible. No opere nunca la unidad sin la tapa del combustible firmemente colocada en su lugar.

2. Coloque el pico del recipiente de gasolina en el orificio de llenado del tanque de gasolina (Fig. 10) y llene el tanque.

NOTA: No llene el tanque demasiado.

3. Limpie toda la gasolina que pueda haberse derramado.
4. Vuelva a instalar la tapa de la gasolina.
5. Mueva la unidad por lo menos 9,1 m (30 pies) de la fuente y sitio de carga antes de arrancar el motor.

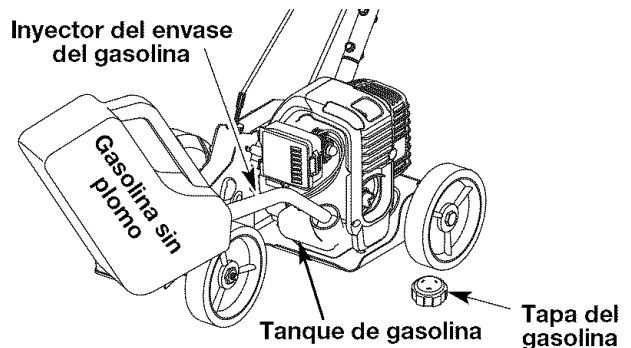


Fig. 10

INSTRUCCIONES DE ARRANQUE Y APAGADO



ADVERTENCIA: Use esta unidad sólo en un área exterior bien ventilada. Los gases de escape de monóxido de carbono pueden ser letales en un área cerrada.



ADVERTENCIA: Evite los arranques accidentales. Colóquese en posición de inicio cuando tire de la cuerda de arranque (Fig. 12). El operador y la unidad deben estar en una posición estable al arrancar la unidad para evitar graves lesiones personales.

INSTRUCCIONES DE ARRANQUE

1. Compruebe el nivel de aceite en el cárter. Consulte el tema Cómo comprobar el nivel de aceite.
2. Llène el tanque de combustible con gasolina sin plomo limpia y fresca. Consulte Cómo llenar la unidad de combustible.

NOTA: No hay necesidad de arrancar la unidad. El control de encendido y apagado está en la posición ENCENDIDO (I) en todo momento (Fig. 11).

3. Oprima completamente y libere la pera del cebador 10 veces, lentamente. Deberá verse alguna cantidad de combustible en la pera del cebador y en las tuberías de combustible (Fig. 12). Si no puede ver combustible en la pera, oprima y suelte la pera tantas veces como sea necesario hasta que vea combustible en la misma.

SI UNIDAD ES INFERIOR A 4°C/40°F... coloque la palanca de arranque para tiempo frío en la posición cerrada (Fig. 13) y continúe al paso 4. NO mueva esta palanca a la posición cerrada si la temperatura está por encima de 40°F.

4. Párese en la posición de arranque (Fig. 14) y asegúrese de que el control del regulador (Fig. 15) esté en la posición LENTO (☷).
5. Tire de la cuerda de arranque hacia afuera una pequeña distancia hasta que sienta un poco de resistencia (esto es por lo general aproximadamente de 2 a 4 pulgadas). Luego, tire de la cuerda de arranque con un **movimiento controlado y uniforme** 5 veces. El motor debe arrancar.

NOTA: No conecte el asa mientras tire de la cuerda de arranque (Fig. 14) o la unidad no arrancará.

6. Si el motor arranca, deje que el motor se caliente durante 15 a 30 segundos y ponga la palanca del control del regulador en la posición RÁPIDO (☶).

SI EL MOTOR ARRANCA Y HACE FRÍO... (menos de 40°F o 4°C), coloque la palanca de arranque para tiempo frío en la posición abierta (Fig. 13) y deje que el motor se caliente durante 30 a 60 segundos.

Si... el motor NO arranca, regrese al paso 3.

Si... el motor se para mientras el control del regulador está en la posición RÁPIDO (☶), regrese al paso 4.

SI ESTÁ CALIENTE... Si el motor está caliente, mueva la palanca de control del regulador a la posición LENTO (☷) y tire buscamente del cordón. No apriete el asa.

NOTA: La unidad usa **Incredi-Pull™** con **MAX FIRE IGNITION™** lo cual reduce considerablemente el esfuerzo requerido para arrancar el motor. Debe halar el cordón de arranque lo suficiente para oír que el motor trata de arrancar. No es necesario halar el cordón con energía: no hay fuerte resistencia al halar. Tenga en cuenta que este método de arranque es muy diferente (y mucho más fácil) del que usted pudiera estar acostumbrado a usar.

INSTRUCCIONES DE PARADA

1. Quite la mano del asa y mueva la palanca de control del regulador a la posición LENTO (☷). Deje que el motor se enfríe dejándolo funcionar en vacío.



ADVERTENCIA: No fuerce la manija de control del regulador hacia atrás más allá de la Tortuga en la etiqueta del regulador. Esto podría dañar la unidad.

2. Oprima y mantenga oprimido el Control de encendido y apagado en la posición APAGADO (O) hasta que el motor se detenga por completo (Fig. 11).

Control de encendido y apagado

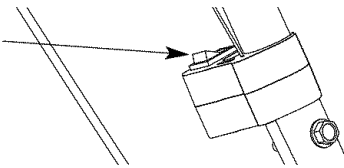


Fig. 11

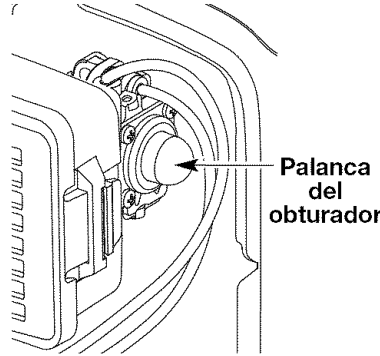


Fig. 12

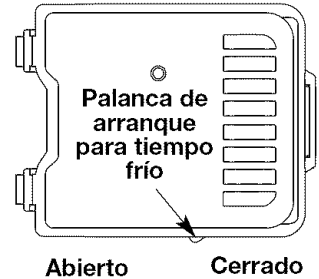


Fig. 13

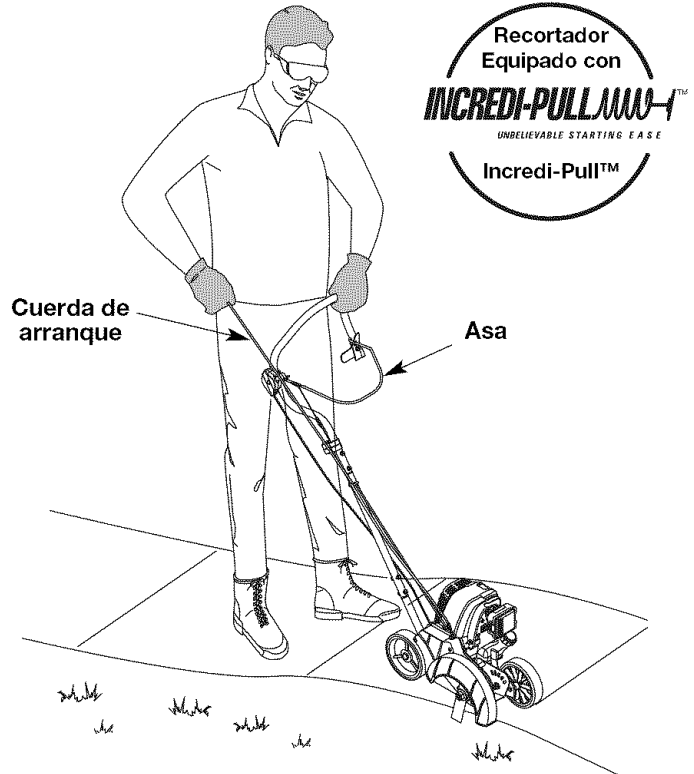


Fig. 14

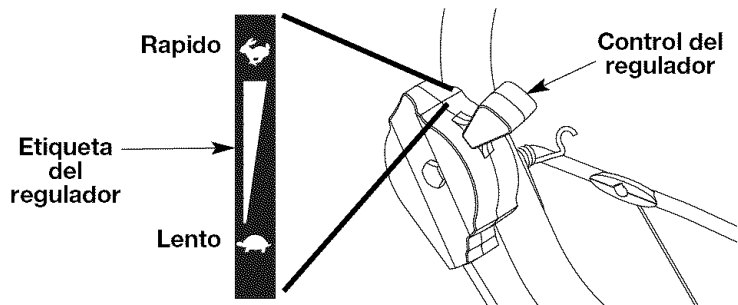


Fig. 15

INSTRUCCIONES DE OPERACIÓN

COMO SOSTENER LA UNIDAD



ADVERTENCIA: Use siempre protector para los ojos, oídos, los pies y el cuerpo a fin de reducir las posibilidades de lesiones al operar esta unidad.

Antes de hacer funcionar la unidad, párese en la posición de funcionamiento (Fig. 16). Compruebe lo siguiente:

- Que el operador use protector para los ojos y ropa adecuada.
- Que ambas manos sujeten la barra de mango firmemente.
- Que la rueda del recortador de bordes esté ajustada para la profundidad de corte adecuada tal como se muestra en la Figura 17 y que el recortador de bordes esté situado como se muestra en la Figura 16.

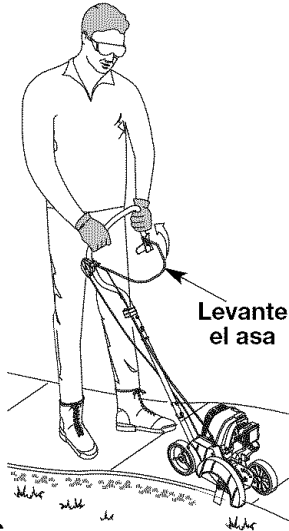


Fig. 16

CÓMO AJUSTAR LA PROFUNDIDAD DE CORTE DEL RECORTADOR DE BORDES

1. Sujete la palanca de ajuste de profundidad situada al lado de la rueda delantera (Fig. 17).
2. Para elevar la cuchilla de corte, mueva la palanca hacia el frente del soporte de la rueda (Fig. 17).
3. Para bajar la cuchilla de corte, mueva la palanca hacia la parte posterior del soporte de la rueda.

CÓMO OPERAR LA UNIDAD

Una vez que haya arrancado la unidad:

1. Inclínala hacia atrás hasta que la cuchilla deje de estar en contacto con el suelo.
2. Levante el asa (Fig. 14) y manténgala apretada contra la manija de la unidad

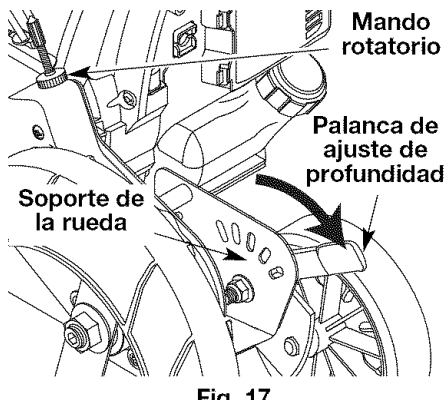


Fig. 17

3. Lentamente baje la unidad hasta que la rueda delantera haga contacto con el suelo.

NOTA: Asegúrese de sostener la unidad firmemente. La cuchilla hará contacto con el suelo antes que la rueda, lo que creará un empuje continuo hacia adelante.

4. Camine lentamente detrás de la unidad mientras la sostiene con firmeza.

RECOMENDACIONES PARA OBTENER MEJORES RESULTADOS AL RECORTAR

- No fuerce al recortador de bordes. Recorte la primera vez a una profundidad menor, (No más de 1/2" de profundidad de corte por pase), luego haga otro pase con un ajuste más profundo.
- Camine el recortador de bordes a un paso lento y uniforme.
- Revise el estado de la cuchilla. A medida que se desgasta se pone más pequeña, por consiguiente, se reduce el rendimiento de la profundidad de corte. Reemplácela con una cuchilla nueva cuando la cuchilla se haya desgastado hasta los orificios de límite de desgaste de la cuchilla (Fig. 18).

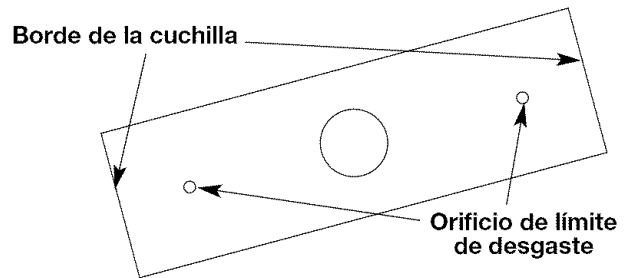


Fig. 18

AJUSTE LA TENSION DE LA CORREA

Si la cuchilla no gira cuando se opriman la asa, entonces:

1. Localice el mando rotatorio pequeño situado en la parte superior de la caja de la correa (Fig. 17).
2. Haga girar el mando hacia la derecha 1 revolución para aumentar la tensión en la correa.
3. Pruebe oprimiendo la asa y fíjese si la cuchilla gira. Si no gira, repita el paso 2 hasta que gire.

INSTRUCCIONES DE MANTENIMIENTO Y REPARACIÓN

• PROGRAMA DE MANTENIMIENTO •



ADVERTENCIA: Para evitar lesiones graves, nunca realice trabajos de mantenimiento ni reparaciones con la unidad funcionando. Haga mantenimiento y repare a una unidad fría. Desconecte el cable de la bujía de encendido para asegurarse de que la unidad no pueda arrancar.

Lleve a cabo estos procedimientos de mantenimiento requeridos con la frecuencia indicada en la tabla. Estos procedimientos también deben formar parte de cualquier puesta a punto.

NOTA: Es posible que algunos procedimientos de mantenimiento requieran herramientas o habilidades especiales. Si no está seguro sobre estos procedimientos, lleve la unidad a un Sears o a otro proveedor de servicio calificado.

NOTA: Los trabajos de mantenimiento, reemplazo o reparación del sistema y los dispositivos de control de emisiones pueden ser realizados por un Sears u otro proveedor de servicio calificado.

A fin de garantizar que su motor funcione de forma óptima, es posible que sea necesario inspeccionar la lumbrera de escape del motor después de transcurridas 50 horas de funcionamiento. Si observa que ha perdido revoluciones, un mal funcionamiento o falta general de aceleración, es posible que sea necesario realizar este trabajo de mantenimiento. Si cree que su motor necesita esta inspección, encárguele el mantenimiento a un Sears o a otro proveedor de servicio calificado para que haga las reparaciones. NO trate de realizar este procedimiento usted mismo ya que puede dañar el motor debido a los contaminantes que conlleva el proceso de limpieza de la lumbrera.

FRECUENCIA	MANTENIMIENTO REQUERIDO	VEA
Antes de arrancar el motor	Llene el tanque de combustible con combustible fresco Revise el aceite	P. E7 P. E10
Cada 10 horas	Limpie y vuelva a engrasar el filtro de aire	P. E10
A las 10 horas A las 25 horas Cada 25 horas	Cambie el aceite Cambie el aceite Limpie el parachispas	P. E10 P. E10 P. E12
A las 10 horas A las 25 horas Cada 25 horas	Revise el balancín de válvulas para el ajuste de las válvulas y ajústelo Revise el balancín de válvulas para el ajuste de las válvulas y ajústelo Revise el estado y la abertura de la bujía de encendido	P. E11 P. E11 P. E12

INSTRUCCIONES DE MANTENIMIENTO Y REPARACIÓN

REEMPLAZO DE LA CUCHILLA

ADVERTENCIA: Para evitar lesiones personas graves, lleve puesto siempre guantes cuando manipule, quite o instale la cuchilla.

1. Coloque la llave tipo "Allen" de 5/16" en el orificio del husillo (Fig. 19).
2. Mientras sujeta la llave tipo "Allen" en su lugar, afloje la tuerca con una llave de 15/16" girándola hacia la izquierda (Fig. 19).
3. Quite la tuerca y la cuchilla. Guarde la tuerca para instalar la cuchilla nueva.
4. Instale la cuchilla nueva y la tuerca (Fig. 20).
5. Mientras sujeta la llave tipo "Allen" en el orificio del husillo, apriete la tuerca girando la llave hacia la derecha hasta que quede apretada (Fig. 21).

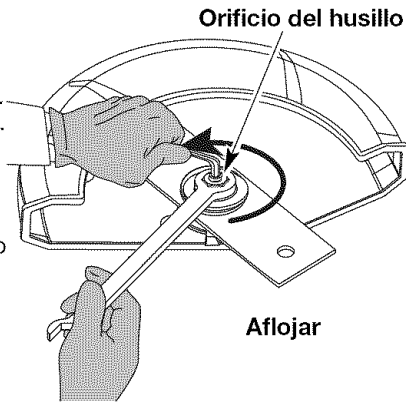


Fig. 19

NOTA: Asegúrese de que la cuchilla se mantenga plana y en el centro contra el eje de salida durante todo el tiempo de la instalación.

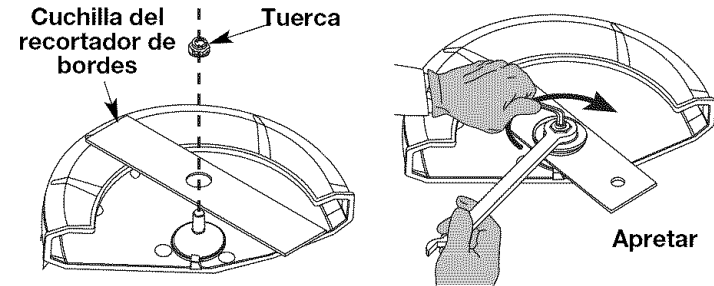


Fig. 20

Fig. 21

ADVERTENCIA: Verifique que la hoja quede plana contra el eje de salida después de apretar la tuerca. Si la cuchilla queda descentrada, se dañará la unidad debido a la vibración, y es posible que la cuchilla salga despedida, lo cual puede ocasionar lesiones personales graves.

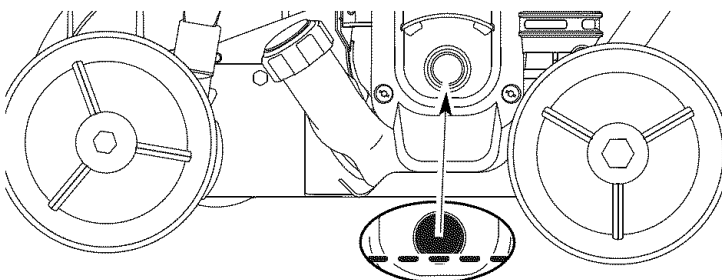
PIEZAS DE REEMPLAZO

Cuchilla 753-05562
 Tuerca 753-05549
 Utilice solamente piezas de reemplazo Sears.

INSPECCION DEL NIVEL DE ACEITE

No podemos exagerar la importancia de verificar y mantener el nivel correcto de aceite en el cárter del cigüeñal. Inspeccione el nivel de aceite antes de cada uso:

1. Apague el motor y permita que el aceite drene dentro del cárter del cigüeñal.
2. Coloque la unidad sobre una superficie plana y nivelada para obtener una lectura correcta del nivel de aceite (Fig. 22).
3. Mantenga la suciedad, recortes de césped, etc. fuera del motor. Limpie el área alrededor del tapón de relleno de aceite/varilla de medición antes de retirarlo.



Nivel de aceite máximo

Fig. 22

4. Retire el tapón de relleno de aceite / varilla de medición y seque el aceite. Vuelva a insertarlo completamente hacia adentro.
5. Retire el tapón de relleno de aceite / varilla de medición e inspeccione el nivel del aceite. El aceite debe llegar hasta la parte superior de la varilla de medición (Fig. 22).
6. Si el nivel está bajo, agregue una pequeña cantidad de aceite en el orificio de llenado de aceite y vuelva a medir (Fig. 23). Repita hasta que el nivel de aceite llegue hasta la parte superior de la varilla de medición.

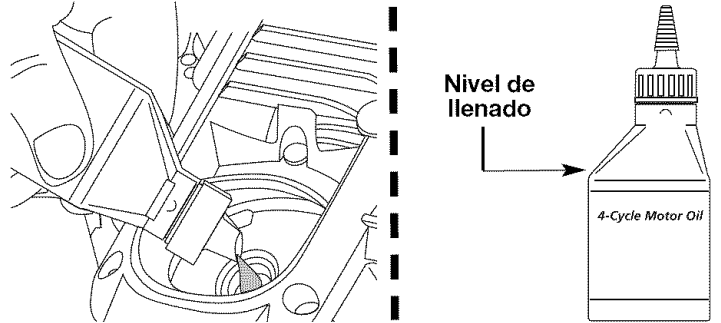


Fig. 23

NOTA: No llene demasiado la unidad.

NOTA: Verifique que el anillo en O esté en su lugar en el tapón de relleno de aceite/varilla de medición cuando mida y cambie el aceite (Fig. 8).

PRECAUCIÓN: Use guantes para evitar sufrir lesiones cuando maneje la unidad.

CAMBIO DEL ACEITE

En un motor nuevo, cambie el aceite después de las 10 primeras horas de operación. Cambie el aceite mientras el motor aún está caliente. El aceite fluirá con libertad y llevará más impurezas.

1. Desenchufe el manguito de la bujía de encendido para eliminar el arranque.
2. Retire el tapón de relleno de aceite / varilla de medición.
3. Vierta el aceite fuera del orificio de llenado de aceite en un recipiente inclinando la unidad hasta una posición vertical (Fig. 24). Deje suficiente tiempo como para completar el drenaje.
4. Seque todo el aceite residual de la unidad y limpie todo el aceite que pueda haberse derramado. Elimine todo el aceite de acuerdo con las normas federales, estatales y locales.
5. Vuelva a cargar el cárter del cigüeñal con 90 ml (3,04 onzas fluidas) de aceite SAE 30 SF, SG, SH.

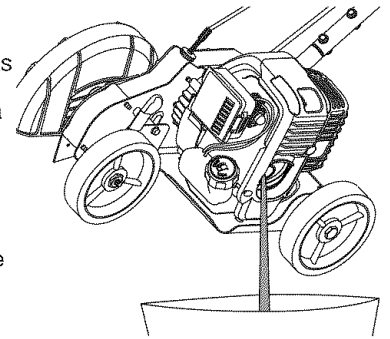


Fig. 24

- NOTA:** Use la botella y la boquilla que guardó del uso inicial para medir la cantidad correcta. El nivel de 90 ml (3,04 onzas) está aproximadamente en la parte superior de la etiqueta de la botella (Fig. 23). Mida el nivel con la varilla de medición. Si el nivel está bajo, agregue una pequeña cantidad de aceite y vuelva a medir (Fig. 23). No lo llene demasiado.
6. Vuelva a colocar el tapón de relleno de aceite / varilla de medición.
 7. Vuelva a conectar el manguito de la bujía de encendido.

MANTENIMIENTO DEL FILTRO DE AIRE

ADVERTENCIA: Para evitar graves lesiones personales, apague siempre su recortador y espere que se enfríe antes de limpiarlo o realizar todo tipo de mantenimiento.

Limpieza del filtro de aire

Limpie y vuelva a aceitar el filtro de aire cada 10 horas de operación. Es una de las partes cuyo mantenimiento es importante. No mantener debidamente su filtro de aire puede resultar en funcionamiento inadecuado o puede causar daño permanente a su motor.

1. Abra la cubierta del filtro de aire. Empuje hacia adentro la orejeta del lado derecho de la cubierta, y extraiga la cubierta del filtro de aire hacia afuera y hacia la izquierda (Fig. 25).
2. Retire el filtro de aire (Fig. 25).
3. Lave el filtro con agua y detergente (Fig. 26). Enjuague bien el filtro y déjelo secar.

INSTRUCCIONES DE MANTENIMIENTO Y REPARACIÓN

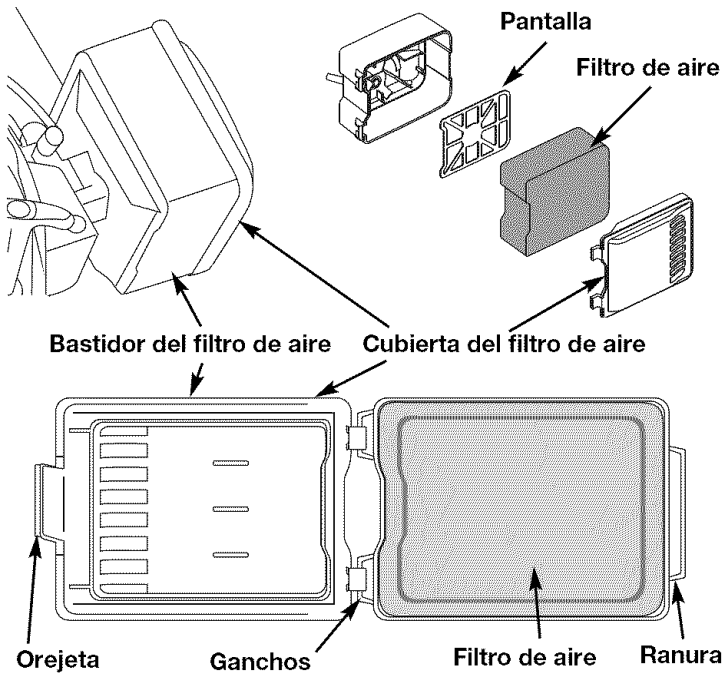


Fig. 25

4. Aplique suficiente aceite limpio de motor SAE 30 para recubrir ligeramente el filtro (Fig. 27).
 5. Apriete el filtro para esparcir y retirar el exceso de aceite (Fig. 28).
 6. Vuelva a colocar el filtro (Fig. 25).
- NOTA:** Si opera la unidad sin el filtro de aire, su garantía será **ANULADA**.
7. Vuelva a instalar la cubierta del filtro de aire. Coloque los ganchos del lado derecha de la cubierta del filtro de aire en las ranuras del lado derecha de la placa posterior (Fig. 25).
 8. Mueva la cubierta hacia la izquierda hasta que la orejeta del filtro de aire calce en su lugar en la ranura de la placa posterior (Fig. 25).

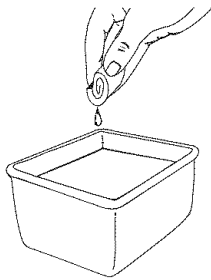


Fig. 26

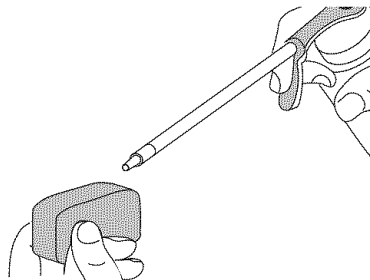


Fig. 27

AJUSTE DEL VELOCIDAD MINIMA



ADVERTENCIA: Para evitar lesiones graves, asegúrese de que la cuchilla se haya detenido.

La velocidad mínima del motor puede ser ajustada. Puede tener acceso al tornillo de ajuste de mínima a través de un orificio en la parte superior de la cubierta del motor (Fig. 29).

NOTA: Los ajustes descuidados pueden dañar su motor seriamente. Los ajustes del carburador deben ser realizados por un proveedor de servicio autorizado.

1. Inspección del Combustible

En general, el combustible viejo es el motivo principal para que la unidad no funcione en forma adecuada. Drene y vuelva a llenar el tanque con combustible nuevo, limpio y sin plomo antes de hacer ningún ajuste. Consulte la Información del Aceite y Combustible.

2. Limpieza del Filtro de Aire

La condición del filtro de aire es importante para el funcionamiento de la unidad. Un filtro de aire sucio limitará el flujo de aire y cambiará la mezcla de aire y combustible. Con frecuencia esto se confunde con un velocidad mínima de ajuste. Inspeccione la condición del filtro de aire antes de ajustar el tornillo de velocidad mínima. Consulte la sección de Mantenimiento del Filtro de Aire.

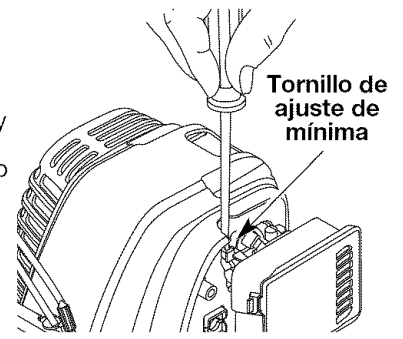


Fig. 29

3. Ajuste del Tornillo de Velocidad Mínima

Si después de inspeccionar el combustible y limpiar el filtro de aire el motor aún no funciona en mínima, ajuste el tornillo de velocidad mínima según se indica a continuación.

1. Arranque el motor y déjelo funcionar a una mínima alta durante un minuto para que se caliente.
2. Suelte el gatillo del regulador (☛) y deje que el motor funcione en mínima. Si el motor se para, inserte un destornillador Phillips pequeño en el orificio de la cubierta del motor (Fig. 29).

NOTA: No conecte la Palanca del Embrague de la Cuchilla mientras ajusta el tornillo de marcha en vacío para asegurarse de que la cuchilla no gire.

3. Gire el tornillo de mínima hacia adentro, en sentido horario, de a 1/8 de vuelta por vez (según sea necesario) hasta que el motor funcione en mínima suavemente.

La inspección del combustible, la limpieza del filtro de aire y el ajuste del tornillo de velocidad mínima debe resolver la mayoría de los problemas del motor. Si esto no sucede, y:

- El motor no funciona en mínima
- El motor fluctúa o se ahoga al acelerarlo
- Existe una pérdida de fuerza motriz

lleve el carburador a ajustar a un proveedor de servicio autorizado.

HUELGO DEL BRAZO OSCILANTE

Esto requiere el desarmado del motor. Si usted siente que no está seguro, lleve la unidad a un centro de servicio autorizado.

NOTA: Inspeccione el huelgo de la válvula del brazo oscilante con una galga después de las primeras 10 horas de operación y luego cada 25 horas de operación en lo sucesivo.

- El motor debe estar frío cuando verifique o ajuste el huelgo de la válvula.
- Esta tarea debe ser realizada en interiores, en un área limpia y libre de polvo.

1. Quite los seis (6) tornillos de encima de la tapa del motor con un destornillador de pala o Torx #25 (Fig. 30).

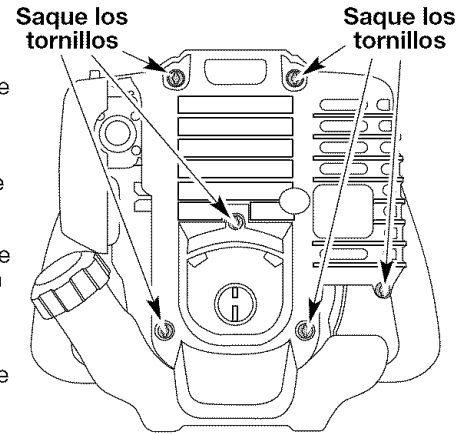


Fig. 30

2. Desconecte el cable de la bujía de encendido.
3. Limpie la suciedad de alrededor de la bujía de encendido. Saque la bujía de encendido de la cabeza del cilindro girando un casquillo de 16mm (5/8 pulgadas) en sentido antihorario.
4. Saque la cubierta del motor (Fig. 30).
5. Limpie la suciedad de alrededor de la cubierta del brazo oscilante. Saque el tornillo que sostiene la cubierta del brazo oscilante con un destornillador grande de vástago plano o con una broca Torx T-25 (Fig. 31). Saque la cubierta y la junta del brazo oscilante.

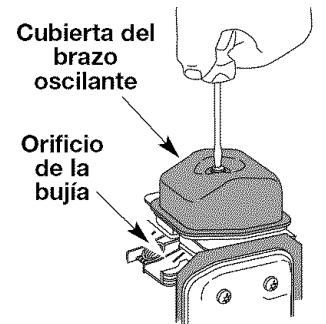


Fig. 31

INSTRUCCIONES DE MANTENIMIENTO Y REPARACIÓN

6. Tire lentamente de la cuerda de arranque para traer el pistón hacia la parte superior de su recorrido (conocido como punto muerto superior). Verifique que:
 - El pistón se encuentre en la parte superior de su recorrido. Mire el agujero de la bujía para ver el pistón (Fig. 32).
 - Ambos brazos oscilantes se mueven con libertad, y ambas

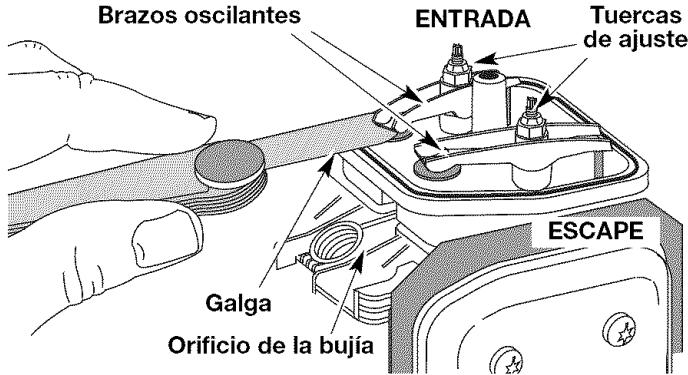


Fig. 32

válvulas están cerradas

De no ser así, repita paso 6.

7. Deslice el calibrador de hoja entre el balancín y la parte superior de cada uno de los vástagos de las válvulas. Mida el huelgo entre el vástago de la válvula y el brazo oscilante (Fig. 32). Realice esto en las válvulas de entrada y de escape.

El huelgo recomendado para las válvulas de entrada y de escape es 0,076 – 0,152 mm (0,003 – 0,006 pulgadas). Use un calibrador regular de automóvil de 0,127 mm (0,005 pulgadas). El calibrador debe deslizarse entre el balancín y el vástago de la válvula con una ligera cantidad de resistencia, sin doblarse (Fig. 32 y 33).

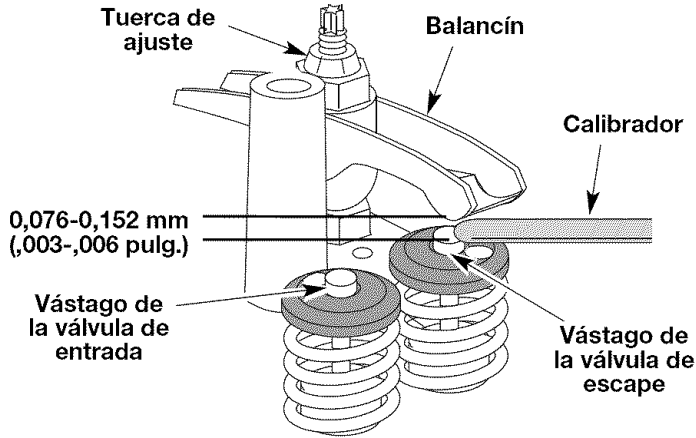


Fig. 33

8. Si el huelgo no se encuentra dentro de las especificaciones:
 - a. Gire la tuerca de ajuste con una llave de 8 mm (5/16 pulgadas) o una guía de tuercas (Fig. 32).
 - Para incrementar el huelgo, gire la tuerca de ajuste en sentido antihorario.
 - Para reducir el huelgo, gire la tuerca de ajuste en sentido horario.
 - b. Vuelva a inspeccionar ambos huelgos, y ajuste si es necesario.
9. Vuelva a instalar la cubierta del brazo oscilante utilizando una nueva junta. Ajuste el tornillo a 2,2–3,4 N•m (20–30 pulgadas•libra).
10. Inspeccione la bujía de encendido y vuelva a instalar. Lea Cambio de la Bujía de encendido.
11. Vuelva a colocar el cable de la bujía de encendido.
12. Vuelva a instalar la cubierta del motor. Verifique la alineación de la cubierta antes de ajustar los tornillos. Ajuste los tornillos.

CAMBIO DE LA BUJÍA DE ENCENDIDO

ADVERTENCIA: No limpie con chorro de arena, ni raspe ni limpie los electrodos. El motor podría dañarse si penetran pequeñas partículas en el cilindro.

Use una bujía de encendido **791-180852B**. La separación correcta es de 0,635 mm (0,025 pulg.). Retire la bujía luego de cada 25 horas de operación e inspeccione su estado.

1. Apague el motor y espere que se enfríe. Tome el alambre de la bujía con firmeza y sáquelo de la bujía de encendido (Fig. 30).
2. Desconecte el cable de la bujía de encendido.

3. Limpie alrededor de la bujía de encendido. Saque la bujía de encendido de la cabeza del cilindro girando una llave de casquillo de 16 mm (5/8 de pulgada) en sentido antihorario.
4. Cambie las bujías que estén rajadas, sucias o deterioradas. Fije la separación de aire a 0,635 mm (0,025 pulgadas) utilizando un calibrador (Fig. 34).
5. Instale una bujía de encendido con la separación correcta en la cabeza del cilindro. Ajuste girando la llave de casquillo 16 mm (5/8 de pulgada) en sentido horario hasta que esté ajustada sin huelgo.

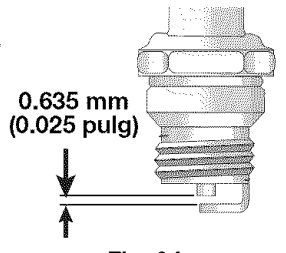


Fig. 34

Si usa una llave de torsión, ajuste a:

110-120 pulg.•libras (12.3-13.5 N•m). No ajuste demasiado.

MANTENIMIENTO DEL AMORTIGUADOR DE CHISPAS

1. Saque la cubierta del amortiguador de chispas. Lea Huelgo del brazo oscilante.
2. Con un destornillador de vástago plano o broca Torx T20 y Torx T25, saque el tornillo que conecta la cubierta del amortiguador de chispas al silenciador (Fig. 35).
3. Saque la orejeta de la cubierta del amortiguador de chispas fuera del silenciador. Retire la cubierta del amortiguador de chispas.

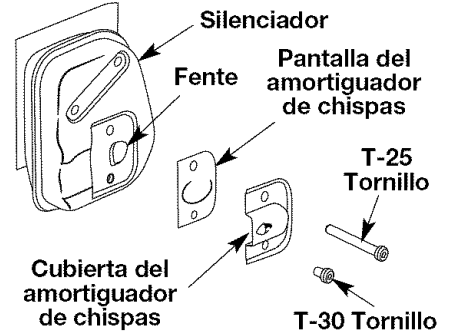


Fig. 35

4. Saque la pantalla del amortiguador de chispas de la cubierta del amortiguador de chispas.
5. Limpie la pantalla del amortiguador de chispas con un cepillo de alambre, o cámbiela.
6. Vuelva a instalar la pantalla del amortiguador de chispas, la cubierta del amortiguador de chispas y el tornillo.

LIMPIEZA



ADVERTENCIA: Para evitar graves lesiones personales, apague siempre su unidad y espere que se enfríe antes de limpiarlo o realizar cualquier tipo de mantenimiento.

Use un cepillo pequeño para limpiar la parte exterior de la unidad. No use detergentes fuertes. Los limpiadores domésticos que contienen aceites aromáticos como pino y limón, y con solventes como el queroseno pueden dañar el bastidor de plástico y la manija. Seque toda la humedad con un paño suave.

ALMACENAMIENTO

- No guarde nunca la unidad con combustible en el tanque donde los vapores puedan llegar a una llama o chispa.
- Espere que el motor se enfríe antes de guardar la unidad.
- Guarde la unidad bajo llave para prevenir el uso por personas no autorizadas y su daño.
- Guarde la unidad en un área seca y bien ventilada.
- Guarde la unidad fuera del alcance de los niños.

ALMACENAMIENTO POR LARGOS PERIODOS DE TIEMPO

Si debe guardar la unidad durante un largo periodo de tiempo:

1. Drene toda la gasolina del tanque en un recipiente. No use gasolina que haya estado guardada durante más de 60 días. Elimine la gasolina vieja de acuerdo con las normas federales, estatales y locales.
2. Arranque el motor y déjelo funcionar hasta que se ahogue. Esto asegura que toda la gasolina se haya drenado del carburador.
3. Deje enfriar el motor. Saque la bujía de encendido y coloque 5 gotas de aceite de motor de buena calidad en el cilindro. Tire de la cuerda de arranque lentamente para distribuir el aceite. Vuelva a instalar la bujía de encendido.

NOTA: Saque la bujía de encendido y drene todo el aceite del cilindro antes de intentar usar el recortador de bordes luego de haber estado guardado.

4. Cambie el aceite. Lea Cambio del Aceite. Elimine el aceite viejo de acuerdo con las normas federales, estatales y locales.
5. Limpie bien la unidad y verifique que no existan partes flojas ni dañadas. Repare o cambie las partes dañadas y ajuste los tornillos, las tuercas o los pemos que estén flojos. La unidad está lista para ser guardada.

TRANSPORTE

- Deje enfriar el motor antes de transportar la unidad.
- Asegure la unidad durante su transporte.
- Drene el tanque de gasolina antes de transportar la unidad.
- Ajuste la tapa de la gasolina antes de transportar la unidad.

CÓMO CAMBIAR LA CORREA DE TRANSMISIÓN

Para cambiar la correa de transmisión:

1. Coloque la unidad sobre una superficie plana, preferentemente un banco de trabajo.
2. Mueva la palanca de ajuste de profundidad completamente hacia adelante (Fig. 36) para levantar la rueda delantera de manera que la cuchilla tenga holgura para girar libremente.

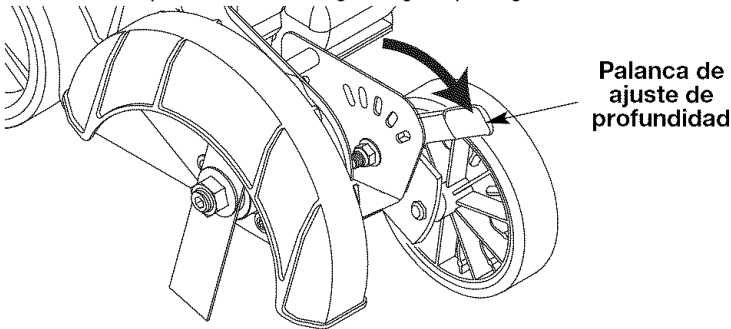


Fig. 36

3. Utilizando un destornillador de cabeza plana o Torx T-20, quite los tres tornillos que sujetan la cubierta de la correa a la caja de la correa (Fig. 37).

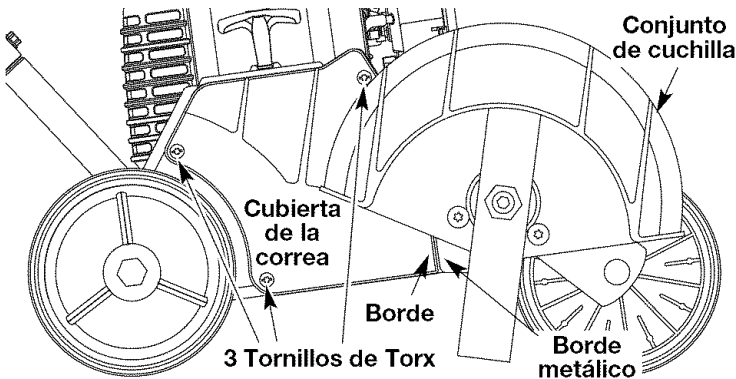


Fig. 37

4. Quite la cubierta de la correa.
5. Utilizando una llave de 3/8", quite los tres tornillos hexagonales que sostienen el conjunto de cuchilla con la caja de la correa (Fig. 38).

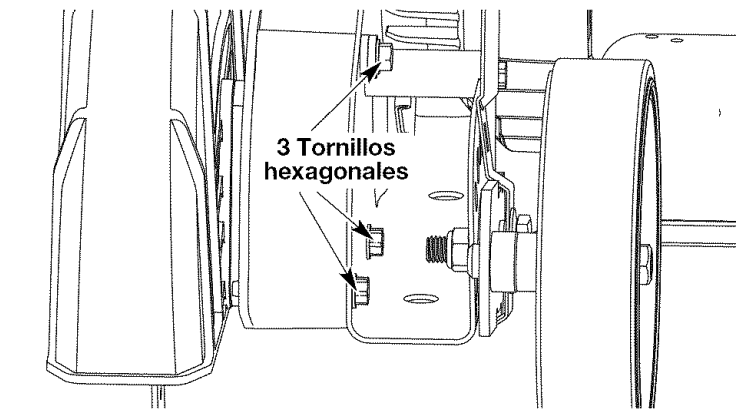


Fig. 38

6. Saque el conjunto de cuchilla de la caja de la correa, y la correa del conjunto de cuchilla.
7. Utilizando una llave de 3/8", quite el tornillo que sujeta el protector de la correa al chasis de la unidad (Fig. 39).
8. Quite el protector de la correa y la correa.
9. Inserte una nueva correa en el protector de correas (Fig. 40).
10. Coloque el protector de correas y la correa sobre la polea conductora (Fig. 39). Asegúrese de que la parte inferior de la correa se apoye sobre el tensor de la misma (Fig. 39).
11. Mientras sostiene el protector de correas y la correa en su sitio,

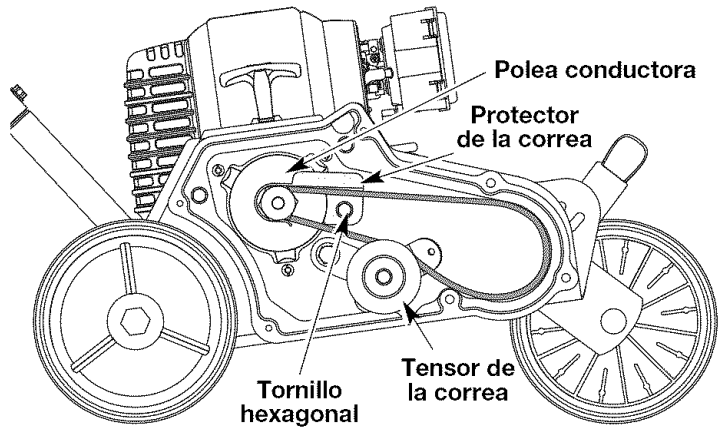


Fig. 39

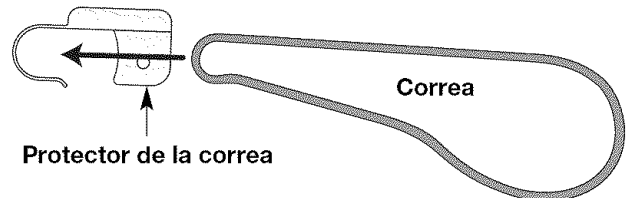


Fig. 40

12. Utilizando una llave de 3/8", apriete el tornillo hexagonal del protector de correa.

13. Apriete el tornillo hexagonal a un par de torsión de 80 a 100 libras por pulgada.

14. Sostenga el conjunto de cuchilla junto a la caja de la correa y coloque la correa sobre la polea plástica de la cuchilla (Fig. 41).

15. Alinee las ranuras y los rebordes ubicados en el interior de la correa con los rebordes y ranuras de la polea.

16. Inserte el conjunto de cuchilla en la caja de la correa. Asegúrese de que la parte inferior de la correa se apoye sobre el tensor de la correa (Fig. 39).

17. Verifique que la correa aún se encuentre correctamente alineada con la polea plástica de la cuchilla. Si se corrió de lugar, vuelva a alinear la correa con la polea plástica de la cuchilla como se describe en el paso 15.

18. Mientras sostiene el conjunto de cuchilla en su sitio, coloque con la mano los tornillos hexagonales que sostienen el conjunto de cuchilla en su lugar (Fig. 38).

19. Utilizando una llave de 3/8", apriete los tornillos hexagonales.
20. Apriete los tornillos hexagonales a un par de torsión de 85 a 95 libras por pulgada.

21. Deslice la cubierta de la correa detrás del conjunto de cuchilla, de manera que el borde de la cubierta de la correa caiga detrás del borde metálico del conjunto de cuchilla (Fig. 37).

22. Mientras sostiene la cubierta de la correa en su sitio, coloque el tornillo que la sostiene en su lugar.

23. Utilizando un destornillador de cabeza plana o Torx T-20, apriete los tornillos.

24. Apriete los tornillos a un par de torsión de 15 a 20 libras por pulgada.

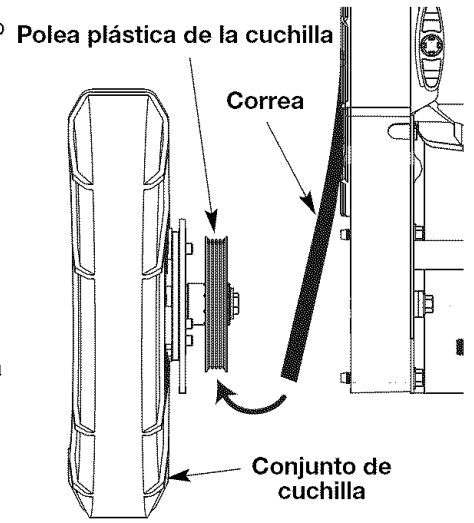


Fig. 41

RESOLUCIÓN DE PROBLEMAS

EL MOTOR NO ARRANCA

CAUSA	ACCIÓN
El tanque de combustible está vacío	Llene el tanque con combustible bien mezclado
La bombilla de cebado no fue oprimida lo suficiente	Oprima la bombilla de cebado total y lentamente de 10 veces
El combustible es viejo	Drene el tanque de gasolina / Agregue combustible nueva
La bujía de encendido está arruinada	Cambie o limpie la bujía de encendido
Parachispas obstruido	Limpie o cambie el parachispas

EL MOTOR NO FUNCIONA EN MINIMA

CAUSA	ACCIÓN
El filtro de aire está obstruido	Cambie o limpie el filtro de aire
El combustible es viejo	Drene el tanque de gasolina / Agregue combustible nueva
Velocidad minima no está ajustado en forma correcta	Ajuste velocidad minima

EL MOTOR NO ACELERA

CAUSA	ACCIÓN
El combustible es viejo	Drene el tanque de gasolina / Agregue combustible nueva
La cuchilla está atascado de hierba	Pare el motor y limpie la cuchilla
El carburador no está ajustado en forma correcta	Lleve la unidad a un Sears o un proveedor de servicio autoriza do para hacer un ajuste de carburador
El filtro de aire está sucio	Limpie o cambie el filtro de aire
Parachispas obstruido	Limpie o cambie el parachispas

EL MOTOR NO TIENE SUFICIENTE POTENCIA O SE AHOGA AL CORTAR

CAUSA	ACCIÓN
El combustible es viejo	Drene el tanque de gasolina / Agregue combustible nueva
La bujía de encendido está arruinada	Cambie o limpie la bujía de encendido
El carburador no está ajustado en forma correcta	Lleve la unidad a un Sears o un proveedor de servicio autoriza do para hacer un ajuste de carburador
Parachispas obstruido	Limpie o cambie el parachispas
Profundidad de corte de la cuchilla demasiado profundo	Ajuste la profundidad de corte de la cuchilla

LA CUCHILLA NO GIRA

CAUSA	ACCIÓN
La cuchilla está atascada con hierba	Pare el motor y limpie la cuchilla
La correa de transmisión está floja	Ajuste la tensión de la correa utilizando la rueda tensora (p. 9, Ajuste la tensión de la correa)
La correa de transmisión está rota	Reemplace la correa

Si necesita asistencia adicional, comuníquese con su proveedor de servicio autorizado.

¿NECESITA MÁS AYUDA?

Encontrará la respuesta y mucho más en managemyhome.com – gratis!

- Busque este y todos sus demás manuales de productos en línea.
- Obtenga respuestas de nuestros expertos en productos para el hogar.
- Reciba un plan de mantenimiento personalizado para su hogar.
- Encuentre la información y las herramientas que le ayudarán en sus proyectos para su hogar.

manage my home

presentado por Sears

ESPECIFICACIONES

MOTOR*

Tipo de motor	Enfriado por aire, 4 tiempos
Desplazamiento	29 cc (1.8 pulgadas cúbicas)
R.P.M. de operación	6.800+ r.p.m.
R.P.M. de velocidad mínima	2.800-3.600 r.p.m.
Tipo de encendido	Electrónico
Interruptor de encendido	Interruptor oscilante
Huelgo de la válvula (entrada y escape)	0,076 – 0,152 mm (0,003 – 0,006 pulg.)
Separación de la bujía de encendido	0,635 mm (0,025 pulg.)
Lubricación	Aceite SAE 30
Capacidad de aceite del cárter del cigüeñal	90 ml (3,04 onzas)
Combustible	Sin plomo
Carburador	Diafragma, multiposicional
Arranque	Incredi-Pull™ rebobinado automático
Silenciador	Desviado con protección
Regulador	Retracción de resorte
Capacidad del tanque de combustible	414 ml (14 onzas)

LA UNIDAD*

Peso de la unidad	10,02 kg (22,1 lbs)
Profundidad de corte (Máximo)	44,5 mm (1,75 pulgadas)

* Toda las especificaciones contenidas en este manual se basan en la información más reciente disponible en el momento de impresión del manual. Nos reservamos el derecho de hacer cambios en cualquier momento sin aviso previo.

DECLARACIÓN DE GARANTÍA DE CONTROL DE EMISIONES EVAPORATIVAS DE LA EPA PARA CALIFORNIA Los Derechos y Obligaciones de Usted según la Garantía

El Consejo de Recursos del Aire (Air Resources Board) de California, la Agencia de Protección del Medio Ambiente (EPA) y Sears Brands LLC tienen el placer de explicar la garantía del sistema de control de emisiones en su motor "off-road" pequeño modelo del año 2007 y posterior. En California y los 49 estados, los nuevos motores "off-road" pequeños deben ser diseñados, construidos y equipados para que cumplan con las exigentes normas del Estado contra el "smog". Sears debe garantizar el sistema de control de emisiones en el motor "off-road" pequeño de usted para los períodos de tiempo que se indican a continuación siempre y cuando no haya habido maltrato, negligencia o mantenimiento inadecuado de su motor "off-road" pequeño.

El sistema de usted de control de emisiones pudiera incluir piezas tales como el carburador o sistema de inyección de combustible, el sistema de encendido y el convertidor catalítico. También pudiera incluir mangueras, correas, conectores y otros conjuntos relacionados con las emisiones.

Cuando exista una condición que esté dentro de la garantía, Sears reparará su motor "off-road" pequeño sin costo alguno para usted, incluyendo diagnóstico, piezas y mano de obra.

Los motores "off-road" pequeños del 2007 y posteriores están garantizados por dos años. Si alguna pieza de su motor relacionada con emisiones es defectuosa, Sears la reparará o la reemplazará.

Responsabilidades del Propietario según la Garantía

Como propietario del motor "off-road" pequeño, usted es responsable de realizar el mantenimiento requerido que se indica en su manual del operador. Sears recomienda que usted conserve todos los recibos que cubren el mantenimiento de su motor "off-road" pequeño, pero Sears no puede denegar la garantía solamente porque usted no tenga los recibos ni porque usted no pueda asegurar que se ha realizado todo el mantenimiento programado.

- Sin embargo, como propietario del motor "off-road" pequeño, usted deberá estar consciente de que Sears pudiera denegar cobertura de la garantía si su motor "off-road" pequeño o una pieza del mismo ha presentado fallas debido a maltrato, negligencia, mantenimiento inadecuado o modificaciones no aprobadas.
- Usted es responsable de presentar su motor "off-road" pequeño a un Centro de Servicio Autorizado por Sears tan pronto se detecte el problema. Las reparaciones en garantía deberán terminarse en un periodo de tiempo razonable, no mayor de 30 días.

Si tiene alguna pregunta en relación con sus derechos y responsabilidades de acuerdo con su garantía, deberá llamar al **1-800-659-5917**.

Cobertura de la Garantía del Fabricante

- El período de garantía comienza en la fecha en que se entrega el motor o el equipo al comprador del minorista.
- El fabricante garantiza al propietario inicial, y a cada comprador subsiguiente, por un período de dos años, que el motor no tiene defectos en los materiales ni la mano de obra que ocasionen la falla de una pieza garantizada.
- La reparación o el reemplazo de una pieza garantizada se realizará sin costo alguno para el propietario en un Centro de Servicio Autorizado por Sears. Para conocer la ubicación más cercana comuníquese con Sears llamando al **1-800-659-5917**.
- Cualquier pieza garantizada que no esté programada para reemplazo, según lo exige el mantenimiento, o que esté programada solamente para inspección regular a los efectos de "Reparar o Reemplazar Según sea Necesario" está garantizada por el período de garantía. Cualquier pieza garantizada que esté programada para reemplazo según lo exige el mantenimiento, estará garantizada por el período de tiempo hasta el primer punto de reemplazo programado para esa pieza.
- No se le cobrará al propietario por el trabajo de diagnóstico que lleve a la determinación de que una pieza garantizada está defectuosa, si el trabajo de diagnóstico se lleva a cabo en un Centro de Servicio Autorizado por Sears.
- El fabricante es responsable de los daños a otros componentes del motor causados por la falla de una pieza garantizada que esté todavía en garantía.
- Las fallas ocasionadas debido a maltrato, negligencia o mantenimiento inadecuado no están cubiertas por esta garantía.
- El uso de accesorios o piezas modificadas puede ser motivo para desestimar una reclamación de garantía. El fabricante no es responsable de cubrir fallas de piezas garantizadas causadas por el uso de accesorios o piezas modificadas.
- Para presentar una reclamación, vaya a su Centro de Servicio Sears Autorizado más cercano. Los servicios o reparación por motivo de

garantía se realizarán en todos los Centros de Servicio Sears Autorizados.

- Cualquier pieza de reemplazo aprobada por el fabricante se puede usar al realizar cualquier mantenimiento o reparación de piezas bajo garantía relacionadas con emisiones y se proporcionarán sin cargo alguno para el propietario. Cualquier pieza de reemplazo que sea equivalente en rendimiento o durabilidad se puede usar en mantenimiento o reparación sin garantía y no reducirá las obligaciones de garantía del fabricante.

Lista de Piezas de Emisiones en Garantía

Los siguientes componentes se incluyen en la garantía del motor relacionada con emisiones: filtro de aire, carburador, cebador, tuberías de combustible, recuperación de combustible/filtro de combustible, módulo de encendido, bujía y silenciador.

DECLARACIÓN DE GARANTÍA DE CONTROL DE EMISIONES EVAPORATIVAS PARA CALIFORNIA

Los Derechos y Obligaciones de Usted según la Garantía

El Consejo de Recursos del Aire (Air Resources Board) de California y Sears Brands LLC (Sears) tienen el placer de explicar la garantía del sistema de control de emisiones evaporativas en su motor "off-road" pequeño (tipo de equipo) modelo del año 2007 y posterior. En California, los nuevos equipos que usen motores "off-road" pequeños deben ser diseñados, construidos y equipados para que cumplan con las exigentes normas del Estado contra el "smog". Sears debe garantizar el sistema de control de emisiones evaporativas en su motor "off-road" Lawn & Garden (para el césped y el jardín) pequeño para el período que se indica a continuación siempre y cuando no haya habido maltrato, negligencia o mantenimiento inadecuado de su equipo.

Su sistema de control de emisiones evaporativas pudiera incluir piezas tales como: carburadores, tanques de combustible, tuberías de combustible, tapas de combustible, válvulas, recipientes, filtros, mangueras de vapor, abrazaderas, conectores y otros componentes relacionados. En el caso de los motores de 80 cc o menos, solamente el tanque de combustible está sujeto a los requisitos de la garantía de control de emisiones evaporativas de esta sección. El desplazamiento de su motor "off-road" pequeño es de menos de 80 cc.

Cobertura de la Garantía del Fabricante

Este sistema de control de emisiones evaporativas está garantizado por dos años. Si cualquier pieza relacionada con las emisiones evaporativas de su equipo es defectuosa, la pieza será reparada o reemplazada por Sears.

Responsabilidades del Propietario según la Garantía

- Como propietario del motor "off-road" Lawn & Garden pequeño, usted es responsable de realizar el mantenimiento requerido que se indica en su manual de propietario. Sears recomienda que usted conserve todos los recibos que cubren el mantenimiento de su Motor Lawn & Garden, pero Sears no puede denegar la garantía solamente porque usted no tenga los recibos.
- Sin embargo, como propietario del motor "off-road" Lawn & Garden pequeño, usted deberá estar consciente de que Sears pudiera denegar la cobertura de la garantía si su tanque de combustible ha presentado fallas debido a maltrato, negligencia, mantenimiento inadecuado o modificaciones no aprobadas.
- Usted es responsable de presentar su tanque de combustible Lawn & Garden al centro de distribución o al centro de servicio de Sears tan pronto se detecte el problema. Las reparaciones en garantía deberán terminarse en un período de tiempo razonable, no mayor de 30 días. Si tiene alguna pregunta en relación con la cobertura de su garantía, deberá comunicarse con Sears llamando al **1-800-659-5917**.

Requisitos de la Garantía por Defectos

- (a) El período de garantía comienza en la fecha en que se entrega el motor o el equipo a un comprador final.
- (b) Cobertura General de la Garantía de Emisiones Evaporativas. El tanque de combustible debe estar garantizado al comprador final y a cualquier propietario posterior en cuanto a que cuando se instaló el sistema de control de emisiones evaporativas estaba:
 - (1) Diseñado, construido y equipado de forma tal que cumpla con todas las regulaciones aplicables; y
 - (2) Sin defectos en los materiales ni la mano de obra que ocasionen la falla de una pieza garantizada durante un período de dos años.
- (c) La garantía de las piezas relacionadas con las emisiones evaporativas será interpretada como sigue:
 - (1) Cualquier pieza garantizada que no esté programada para reemplazo según requiere el mantenimiento en las instrucciones por escrito, debe estar garantizada por el período de garantía definido en la subsección (b)(2). Si alguna de esas piezas falla durante el período de cobertura de la garantía, debe ser reparada o reemplazada por Sears. Cualquier pieza reparada o reemplazada bajo la garantía debe estar garantizada por un tiempo no menor que el período de garantía restante.
 - (2) Cualquier pieza garantizada que en las instrucciones por escrito esté programada solamente para inspección regular, debe estar garantizada por el período de garantía definido en la subsección (b)(2). Una declaración en dichas instrucciones por escrito al efecto de "reparar o reemplazar según sea necesario" no reducirá el período de cobertura de la garantía. Cualquier pieza reparada o reemplazada bajo la garantía debe estar garantizada por un tiempo no menor que el período de garantía restante.
 - (3) Cualquier pieza garantizada que esté programada para reemplazo, según exige el mantenimiento en las instrucciones por escrito, debe estar garantizada por el período de tiempo anterior al primer punto de reemplazo programado para esa pieza. Si la pieza falla antes del primer reemplazo programado, la pieza debe ser reparada o reemplazada por Sears. Cualquier pieza reparada o reemplazada bajo la garantía debe estar garantizada por un tiempo no menor que lo que resta del período anterior al primer punto de reemplazo programado para esa pieza.
 - (4) La reparación o el reemplazo de cualquier pieza garantizada bajo las disposiciones de garantía de este artículo se debe realizar sin costo alguno para el propietario en una estación donde se hagan trabajos de garantía.
 - (5) Independientemente de las disposiciones de la subsección (4) anterior, los servicios o reparaciones en garantía se deben proporcionar en centros de distribución que estén franquiciados para prestar servicios a los motores o equipos en cuestión.
 - (6) No se debe cobrar al propietario por el trabajo de diagnóstico para determinar que una pieza garantizada está realmente defectuosa, siempre y cuando dicho trabajo de diagnóstico se lleve a cabo en una estación donde se hagan trabajos de garantía.
 - (7) Durante el período de garantía del sistema de control de emisiones evaporativas establecido en la subsección (b)(2), Sears debe mantener un suministro de piezas garantizadas suficiente para satisfacer la demanda esperada de dichas piezas.
 - (8) Al realizar cualquier mantenimiento o reparación en garantía se deben usar piezas de reemplazo aprobadas por el fabricante y se deben proporcionar sin cargo alguno para el propietario. Tal uso no reducirá las obligaciones de garantía del fabricante que emite la garantía.
 - (9) El uso de cualquier accesorio o pieza modificada será motivo para desestimar una reclamación de garantía hecha en conformidad con este artículo. El fabricante que emite la garantía no será responsable, según este Artículo, de garantizar fallas de piezas garantizadas causadas por el uso de un accesorio o una pieza modificada.
 - (10) Sears proporcionará los documentos que describen los procedimientos o normas de la garantía, en un plazo de cinco días hábiles desde que los solicite el Consejo de Recursos del Aire.

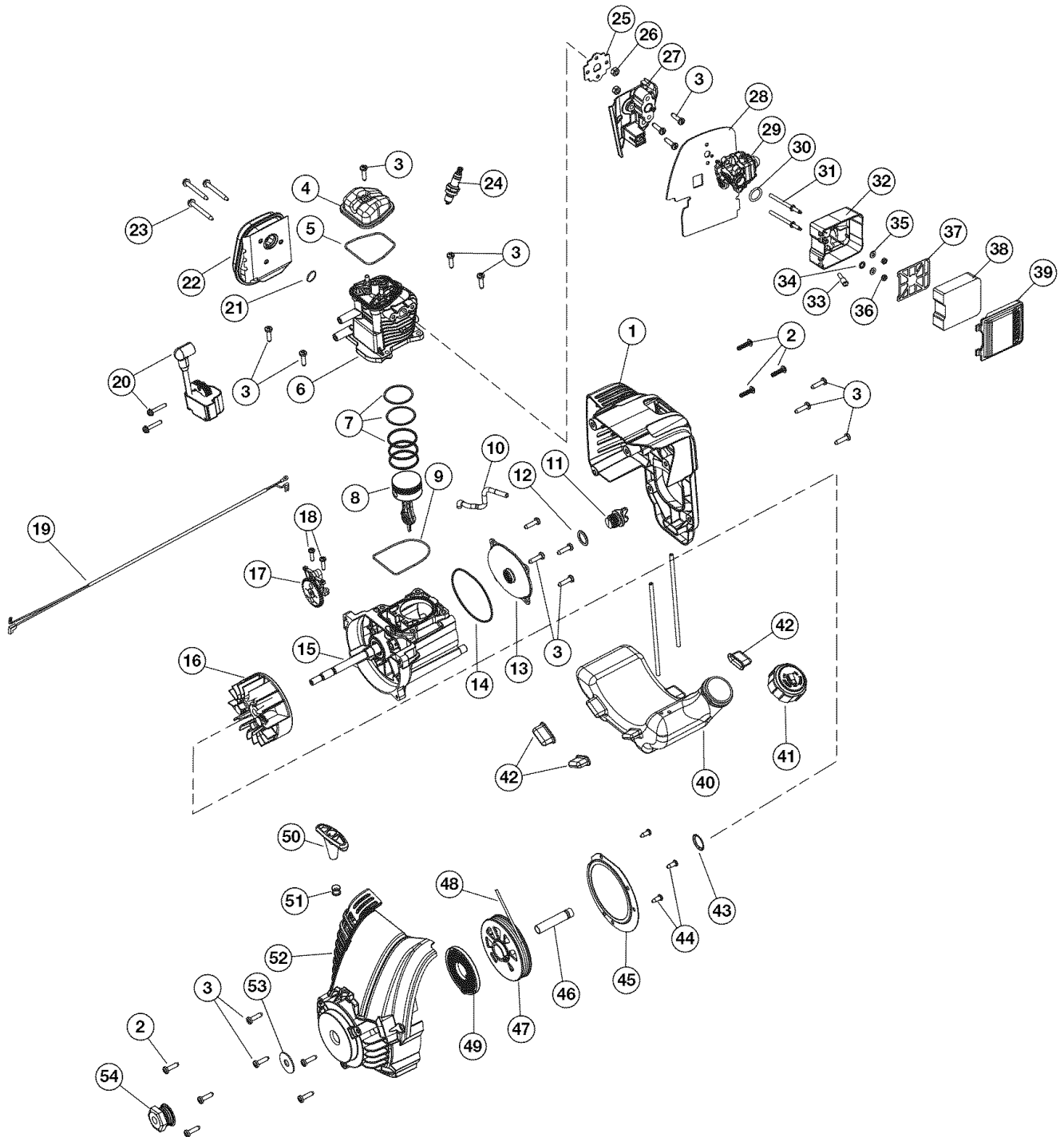
Lista de Piezas de Emisiones en Garantía

- (1) Tanque de Combustible

Con cada motor o equipo nuevo se proporcionarán instrucciones por escrito para el mantenimiento y uso del sistema de control de emisiones evaporativas por parte del propietario.

PARTS LIST

REPLACEMENT PARTS - MODEL 316.772370
4-CYCLE GAS EDGER



PARTS LIST

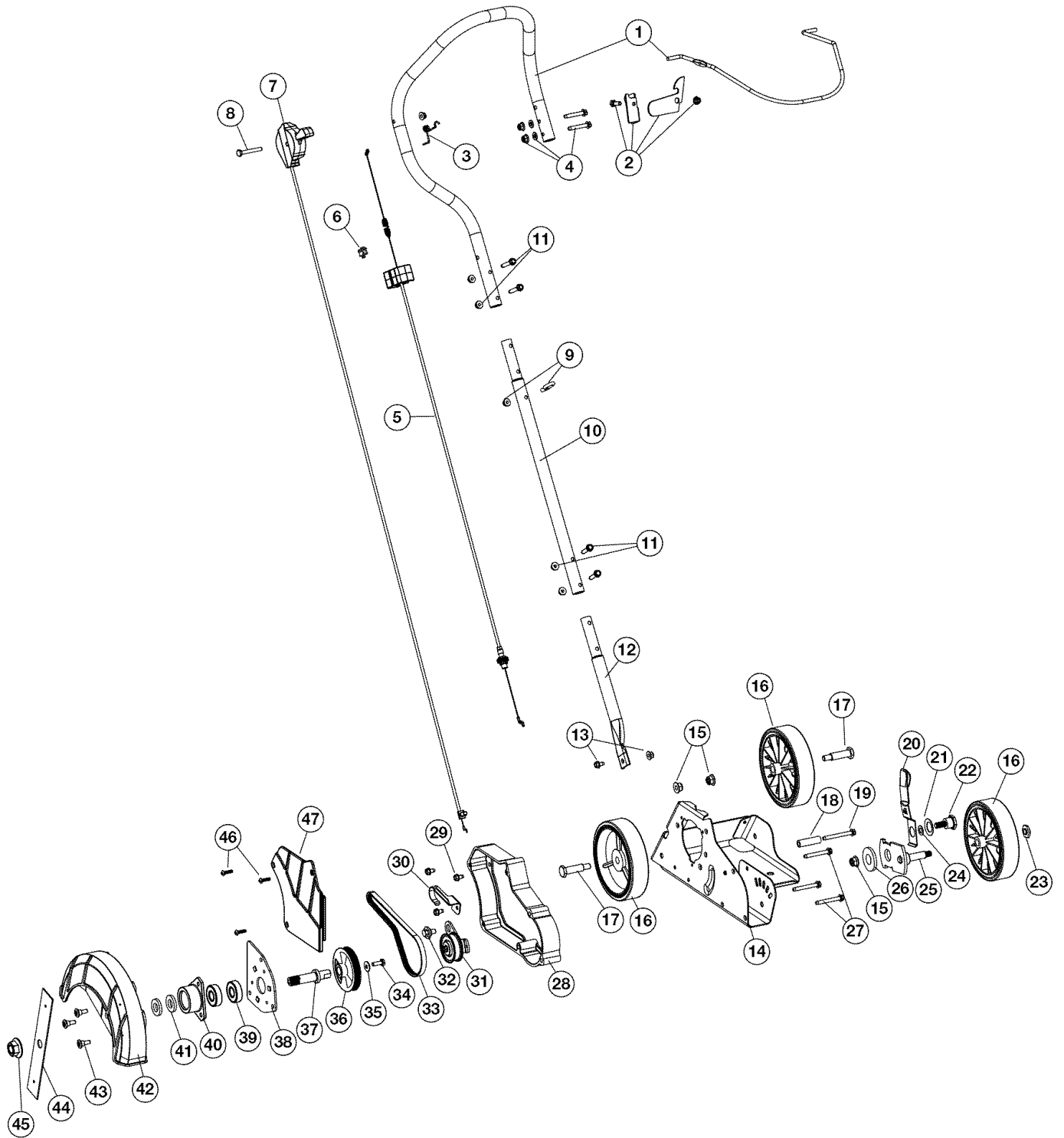
**REPLACEMENT PARTS - MODEL 316.772370
4-CYCLE GAS EDGER**

<u>Item</u>	<u>Part No.</u>	<u>Description</u>	<u>Item</u>	<u>Part No.</u>	<u>Description</u>
1	753-05206	Engine Cover Assembly (includes 2 & 3)	30	753-04030	O-Ring
2	753-04595	Cover Screw	31	753-05507	Air Filter Mounting Screw
3	753-05377	Screw	32	753-05835	Air Cleaner Cover Assembly (includes 33, 34 & 37-39)
4	753-05209	Rocker Cover	33	791-182097	Breather Tube
5	753-05210	Rocker Cover O-Ring	34	791-181000	Grommet Washer
6	753-05228	Cylinder Assembly (includes 3, 5 & 9)	35	791-182409	Washer
7	753-05229	Piston Ring Assembly	36	753-05248	Nut
8	753-05230	Piston Assembly (includes 7)	37	791-182657	Air Filter Plate
9	753-05232	Cylinder O-Ring	38	753-05506	Air Filter
10	791-182379	Breather Hose	39	791-182659	Air Filter Cover
11	753-05408	Oil Plug (includes 12)	40	753-05256	Fuel Tank Assembly w/Fuel Lines (includes 41)
12	791-182290	Oil Plug O-Ring	41	753-1229	Fuel Cap
13	753-05237	Crankcase Cover	42	753-05259	Fuel Tank Pads
14	753-05238	Crankcase Cover O-ring	43	753-05260	Push Nut
15	753-05503	Crankcase Assembly (includes 9, 10, 14 & 16)	44	753-1202	Pressure Plate Screw
16	753-05240	Flywheel Assembly	45	753-05074	Pressure Plate (includes 44)
17	753-05241	Cam Bracket Assembly (includes 18)	46	753-05078	Spacer
18	753-05242	Cam Bracket Screw	47	753-05847	Starter Assembly (includes 48)
19	753-05785	Lead Wires	48	753-05509	Rope
20	753-05836	Module Assembly	49	791-613102	Recoil Spring
21	753-05244	Muffler Gasket	50	753-05011	Pull Handle
22	753-05245	Muffler Assembly (includes 21 & 23)	51	791-611061	Rope Guide
23	753-05246	Muffler Screw	52	753-05848	Starter Housing Assembly (includes 3 & 43-51)
24	753-05255	Spark Plug	53	791-182396	Washer
25	753-05247	Insulator Gasket	54	753-05790	Drive Shaft Pulley
26	753-05248	Nut	*	753-05297	Spark Arrestor Assembly
27	753-05249	Insulator (includes 28)	*	753-05511	Shortblock Assembly (includes 3-12, 14, 15, 17 & 24)
28	753-05366	Carburetor Gasket			
29	753-05830	Carburetor w/Primer			

<u>Item</u>	<u>Part No.</u>	<u>Description</u>	<u>Item</u>	<u>Part No.</u>	<u>Description</u>
1	753-05791	Handle Assembly (includes 2-4)	26	753-05537	Height Adjustment Spacer
2	753-05797	Lockout Lever Assembly	27	753-05538	Spindle Plate Screw
3	753-04043	Bale Spring	28	753-05559	Spindle Spacer
4	753-05793	Lockout Hardware Assembly	29	753-05528	Screw
5	753-05795	Tensioner Cable Assembly	30	753-05553	Belt Retainer
6	791-182405	Switch	31	753-05540	Idler Pulley Assembly
7	753-05789	Throttle Assembly	32	753-05541	Shoulder Screw
8	753-05794	Throttle Hardware Assembly	33	753-05560	Belt
9	753-05524	Starter Rope Guide Assembly	34	753-05554	Screw
10	753-05787	Middle Handle Assembly (includes 11)	35	753-05555	Washer
11	753-05526	Handle Hardware Assembly	36	753-05542	Pulley
12	753-05557	Lower Handle	37	753-05543	Blade Spindle
13	753-05849	Lower Handle Screw & Nut Assembly	38	753-05544	Spindle Plate
14	753-05850	Edger Frame	39	753-05550	Bearing
15	753-05525	Lock Nut	40	753-05545	Bearing Cup
16	753-05530	Wheel	41	753-05546	Washer
17	753-05529	Wheel Bolt	42	753-05547	Blade Guard
18	753-05556	Spacer	43	753-05548	Screw
19	753-05538	Spacer Screw	44	753-05562	Edger Blade
20	753-05531	Height Adjustment Lever Assembly	45	753-05549	Nut
21	753-05532	Washer	46	753-04595	Screw
22	753-05534	Shoulder Screw	47	753-05552	Belt Cover
23	753-05535	Nut			
24	753-05533	Washer			
25	753-05536	Pivot Arm			

PARTS LIST

REPLACEMENT PARTS - MODEL 316.772370
4-CYCLE GAS EDGER



Get it fixed, at your home or ours!

Your Home

For expert troubleshooting and home solutions advice:

manage my home

www.managemyhome.com

For repair – **in your home** – of **all** major brand appliances, lawn and garden equipment, or heating and cooling systems, **no matter who made it, no matter who sold it!**

For the replacement parts, accessories and owner's manuals that you need to do-it-yourself.

For Sears professional installation of home appliances and items like garage door openers and water heaters.

1-800-4-MY-HOME[®] (1-800-469-4663)

Call anytime, day or night (U.S.A. and Canada)

www.sears.com www.sears.ca

Our Home

For repair of carry-in items like vacuums, lawn equipment, and electronics, call anytime for the location of your nearest

Sears Parts & Repair Service Center

1-800-488-1222 (U.S.A.) **1-800-469-4663** (Canada)

www.sears.com www.sears.ca

To purchase a protection agreement on a product serviced by Sears:

1-800-827-6655 (U.S.A.) **1-800-361-6665** (Canada)

Para pedir servicio de reparación a domicilio, y para ordenar piezas:

1-888-SU-HOGAR[®]

(1-888-784-6427)

Au Canada pour service en français:

1-800-LE-FOYER^{MC}

(1-800-533-6937)

www.sears.ca

Sears

® Registered Trademark / TM Trademark / SM Service Mark of Sears Brands, LLC

® Marca Registrada / TM Marca de Fábrica / SM Marca de Servicio de Sears Brands, LLC

^{MC} Marque de commerce / ^{MD} Marque déposée de Sears Brands, LLC

© Sears Brands, LLC