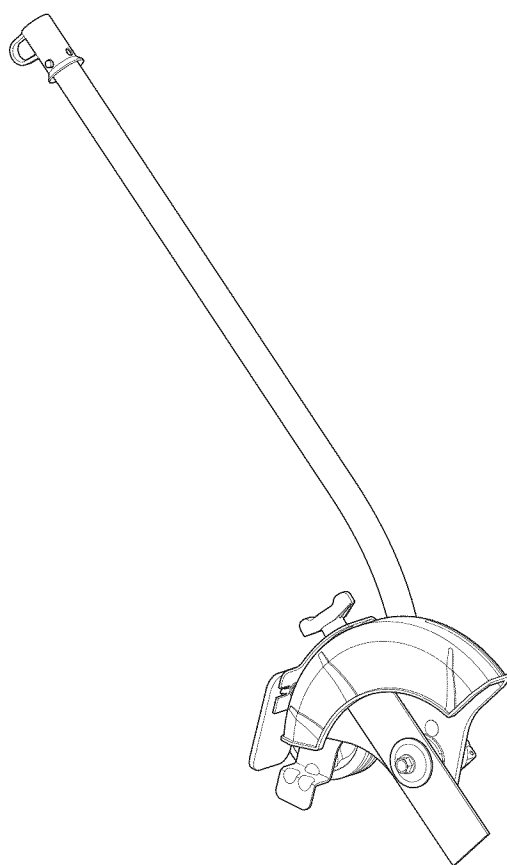


Operator's Manual



UNIVERSAL EDGER ATTACHMENT

Model No. 316.792401



CAUTION: Before using this product, read this manual and follow all its Safety Rules and Operating Instructions.

- SAFETY
- ASSEMBLY
- OPERATION
- MAINTENANCE
- PARTS LIST
- ESPAÑOL, P. 11

Sears Brands Management Corporation, Hoffman Estates, IL 60179 U.S.A.

Visit our website: www.craftsman.com

TABLE OF CONTENTS

Safety	.2
Warranty	.4
Know Your Unit	.5
Specifications	.5
Assembly	.6
Operation	.7
Maintenance	.8
Cleaning and Storage	.9
Repair Protection Agreements	.10
Parts List	.23
Service Numbers	.Back Cover

All information, illustrations and specifications in this manual are based on the latest product information available at the time of printing. We reserve the right to make changes at any time without notice.

© Sears Brands, LLC

SAFETY

The purpose of safety symbols is to attract your attention to possible dangers. The safety symbols, and their explanations, deserve your careful attention and understanding. The safety warnings do not by themselves eliminate any danger. The instructions or warnings they give are not substitutes for proper accident prevention measures.

Read the operator's manual and follow all warnings and safety instructions. Failure to do so can result in serious injury to the operator and/or bystanders.

SYMBOL MEANING

	DANGER: Signals an EXTREME hazard. Failure to obey a safety DANGER signal WILL result in serious injury or death to yourself or to others.
	WARNING: Signals a SERIOUS hazard. Failure to obey a safety WARNING signal CAN result in serious injury to yourself or to others.
	CAUTION: Signals a MODERATE hazard. Failure to obey a safety CAUTION signal MAY result in property damage or injury to yourself or to others.

NOTE: Advises you of information or instructions vital to the operation or maintenance of the equipment.

• IMPORTANT SAFETY INSTRUCTIONS •

READ ALL INSTRUCTIONS BEFORE OPERATING



WARNING: When using the unit, all safety rules must be followed. Please read these instructions before operating the unit in order to ensure the safety of the operator and any bystanders. Please keep these instructions for later use.

- Carefully read and understand the operator's manual of the unit that powers this attachment.
- Read the instructions carefully. Be familiar with the controls and proper use of the unit.
- Do not operate this unit when tired, ill or under the influence of alcohol, drugs or medication.
- Children must not operate the unit. Teens must be accompanied and guided by an adult.
- All guards and safety attachments must be installed properly before operating the unit.
- Inspect the unit before use. Replace damaged parts. Check for fuel leaks. Make sure all fasteners are in place and secure. Replace parts that are cracked, chipped, or damaged in any way. Do not operate the unit with loose or damaged parts.
- Carefully inspect the area before starting the unit. Remove all debris and hard or sharp objects such as glass, wire, etc.
- Be aware of the risk of injury to the head, hands and feet.
- Clear the area of children, bystanders and pets; keep them outside a 50-foot (15 m) radius, at a minimum. Even then, they are still at risk from thrown objects. Encourage bystanders to wear eye protection. If you are approached, stop the unit immediately.

SAFETY WARNINGS FOR GAS UNITS



WARNING: Gasoline is highly flammable and its vapors can explode if ignited. Take the following precautions:

- Store fuel only in containers specifically designed and approved for the storage of such materials.
- Always stop the engine and allow it to cool before filling the tank. Never remove the fuel tank cap or add fuel when the engine is hot. Always loosen the fuel tank cap slowly to relieve any pressure in the tank before fueling.
- Always mix and add fuel in a clean, well-ventilated outdoor area where there are no sparks or flames. DO NOT smoke.
- Never operate the unit without the fuel cap securely in place.
- Avoid creating a source of ignition for spilled fuel. Wipe up any spilled fuel from the unit immediately, before starting the unit. Move the unit at least 30 ft. (9.1 m) from the fueling source and site before starting the engine. DO NOT smoke.
- Never start or run the unit inside a closed room or building. Breathing exhaust fumes can kill. Operate this unit only in a well ventilated outdoor area.

WHILE OPERATING

- Wear safety glasses or goggles that meet current ANSI Z87.1 standards and are marked as such. Wear ear/hearing protection when operating this unit. Wear a face or dust mask if the operation is dusty.
- Wear heavy long pants, boots, gloves and a long sleeve shirt. Do not wear loose clothing, jewelry, short pants, sandals or go barefoot. Secure hair above shoulder level.

- Make sure the attachment is not in contact with anything before starting the unit.
- Use the unit only in daylight or good artificial light.
- Use the right tool. Only use this tool for its intended purpose.
- Always hold the unit with both hands when operating. Keep a firm grip on both handles or grips.
- Do not overreach. Always keep proper footing and balance. Take extra care when working on steep slopes or inclines.
- Keep hands, face, and feet away from all moving parts. Do not touch or try to stop moving parts.
- Do not operate the unit faster than the speed needed to do the job. Do not run the unit at high speed when not in use.
- Use extreme caution when reversing or pulling the unit towards you.
- Do not force the unit. It will do a better, safer job when used at the intended rate.
- Always stop the unit when operation is delayed or when walking from one location to another.
- If you strike or become entangled with a foreign object, stop the unit immediately and check for damage. Do not operate before repairing damage. Do not operate the unit with loose or damaged parts.
- Use only original equipment manufacturer (OEM) replacement parts and accessories for this unit, as listed in the *Parts List* section of this manual. Use of any other parts or accessories could lead to serious injury to the user, or damage to the unit, and void the warranty.
- Keep the unit clean of vegetation and other materials that may become lodged between the edger blade and blade shield.
- If the unit starts to vibrate abnormally, stop the unit immediately. Inspect the unit for the cause of the vibration. Vibration is generally an indicator of trouble.

OTHER SAFETY WARNINGS




- All service, other than the maintenance procedures described in this manual, should be performed by a Sears or other qualified service dealer.
- Before inspecting, servicing, cleaning, storing, transporting or replacing any parts on the unit:
 1. Stop the unit.
 2. Make sure all moving parts have stopped.
 3. Allow the unit to cool.
 4. Disconnect the spark plug wire.
- The edger blade becomes very sharp from use. Always wear heavy gloves when handling, replacing or cleaning the edger blade.
- Never store the unit with fuel in the tank, inside a building where fumes may reach an open flame (pilot lights, etc.) or sparks (switches, electrical motors, etc.).
- Be sure to secure the unit while transporting.
- Store the unit in a dry place, secured or at a height to prevent unauthorized use or damage. Keep out of the reach of children.
- Never douse or squirt the unit with water or any other liquid. Keep handles dry, clean and free from debris. Clean after each use, see *Cleaning and Storage* instructions.
- Keep these instructions. Refer to them often and use them to instruct other users. If you loan this unit to others, also loan them these instructions.

SAVE THESE INSTRUCTIONS




• SAFETY & INTERNATIONAL SYMBOLS •

This operator's manual describes safety and international symbols and pictographs that may appear on this product. Read the operator's manual for complete safety, assembly, operating and maintenance and repair information.

SYMBOL MEANING

	<ul style="list-style-type: none"> • SAFETY ALERT SYMBOL Indicates danger, warning or caution. May be used in conjunction with other symbols or pictographs.
	<ul style="list-style-type: none"> • READ OPERATOR'S MANUAL WARNING: Read the operator's manual(s) and follow all warnings and safety instructions. Failure to do so can result in serious injury to the operator and/or bystanders.
	<ul style="list-style-type: none"> • WEAR EYE AND HEARING PROTECTION WARNING: Thrown objects and loud noise can cause severe eye injury and hearing loss. Wear eye protection meeting current ANSI Z87.1 standards and ear protection when operating this unit. Use a full face shield when needed.

SYMBOL MEANING

	<ul style="list-style-type: none"> • THROWN OBJECTS AND ROTATING CUTTER CAN CAUSE SEVERE INJURY WARNING: Small objects can be propelled at high speed, causing injury. Keep away from the rotating rotor.
	<ul style="list-style-type: none"> • KEEP BYSTANDERS AWAY WARNING: Keep all bystanders, especially children and pets, at least 50 feet (15 m) from the operating area.
	<ul style="list-style-type: none"> • ROTATING BLADE CAN CAUSE SEVERE INJURY WARNING: Stop the engine and allow the blade to stop before replacing the blade, or before cleaning or performing any maintenance. Keep hands and feet away from the rotating blade.

WARRANTY

CRAFTSMAN TWO YEAR FULL WARRANTY

FOR TWO YEARS from the date of purchase, this product is warranted against any defects in material or workmanship. A defective product will be replaced free of charge.

For warranty details to obtain free replacement, visit the web site: www.craftsman.com

This warranty does not cover the blade, which is an expendable part that can wear out from normal use within the warranty period.

This warranty is void if this product is ever used while providing commercial services or if rented to another person.

This warranty gives you specific legal rights, and you may also have other rights which vary from state to state.

Sears Brands Management Corporation, Hoffman Estates, IL 60179

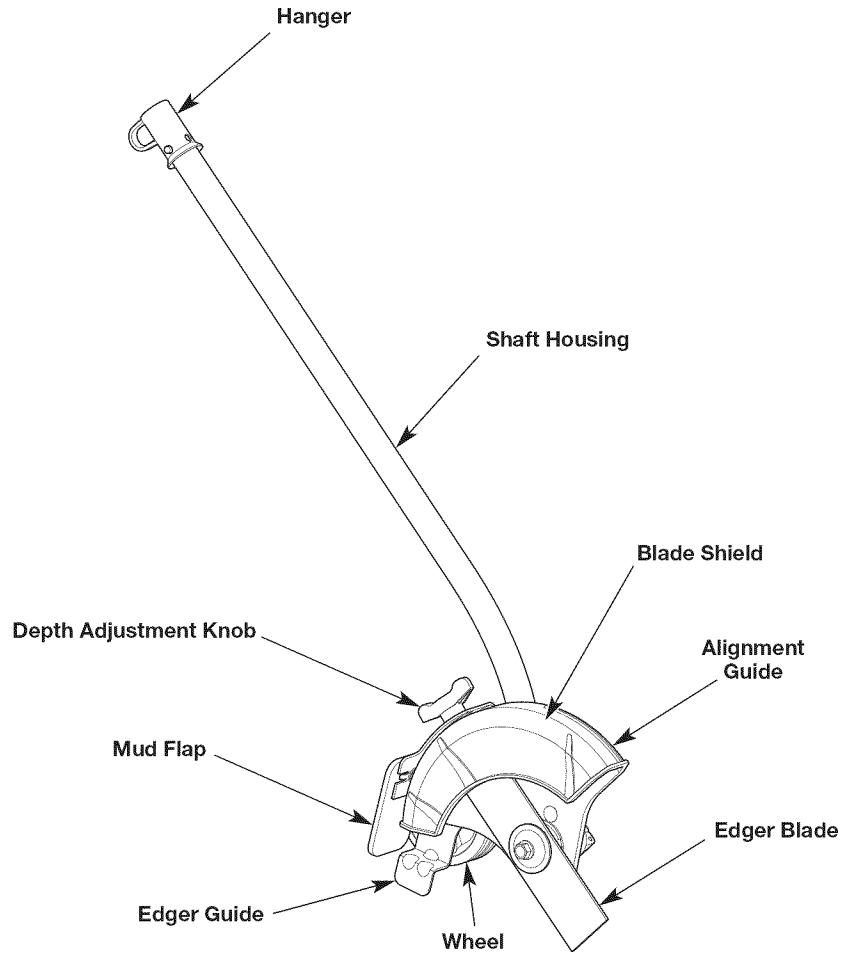
KNOW YOUR UNIT

APPLICATIONS

As an edger:

- Edging along paths, driveways, rockeries, etc.
- Other optional accessories may be used with this unit.

NO ASSEMBLY TOOLS REQUIRED



SPECIFICATIONS*

Approximate Unit Weight (attachment only)	4 - 5 lbs. (1.8 - 2.3 kg)
Cutting Depth (maximum)	2.5 in. (63.5 mm)
Wheel Diameter	3.75 in. (95.25 mm)

* All specifications are based on the latest product information available at the time of printing. We reserve the right to make changes at any time without notice.

ASSEMBLY



WARNING: Do not use this attachment with an electric or battery-powered unit. Doing so could cause the motor to overheat, resulting in damage to the unit and possible personal injury.

OPERATING THE COUPLER

The coupler enables the use of various optional attachments.



WARNING: Before using any attachment, read and understand the manual that came with the attachment. Follow all safety information contained within.



WARNING: To avoid serious personal injury and damage to the unit, shut the unit off before removing or installing an attachment.

NOTE: To make installing or removing the attachment easier, place the unit on the ground or on a work bench.

Installing the Attachment

NOTE: Remove the protective cap and gray spacer from the upper and lower shafts prior to assembling the attachment.

1. Turn the knob counterclockwise to loosen (Fig. 1).
2. While firmly holding the attachment, push it straight into the coupler until the release button snaps firmly into the primary hole (Fig. 3).

NOTE: Aligning the release button with the guide recess will help installation (Fig. 2).

3. Turn the knob clockwise to tighten (Fig. 1).



CAUTION: Before operating the unit, make sure the release button is fully snapped into the primary hole (Fig. 3) and the knob (Fig. 1) is securely tightened.



CAUTION: The release button should be snapped into the primary hole only. Using the wrong hole could lead to personal injury or damage to the unit.

For decorative edging with a string trimmer attachment, lock the release button into the 90° edging hole (Fig. 1).

Removing the Attachment

1. Turn the knob counterclockwise to loosen (Fig. 1).
2. Press and hold the release button (Fig. 2).
3. While firmly holding the upper shaft housing, pull the attachment straight out of the coupler (Fig. 3).

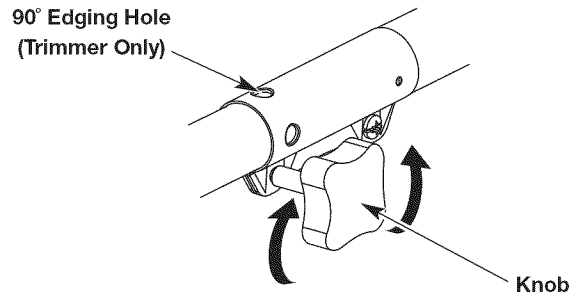


Fig. 1

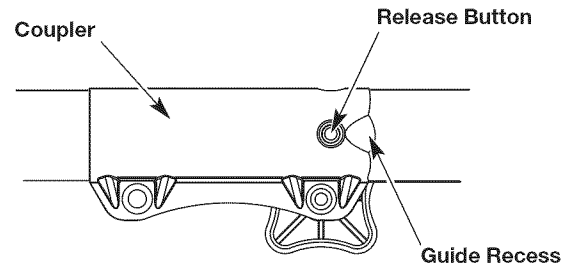


Fig. 2

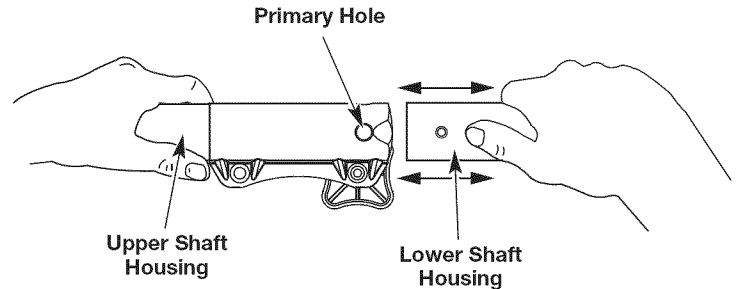


Fig. 3

OPERATION

HOLDING THE UNIT



WARNING: Always wear eye, hearing, hand, foot and body protection to reduce the risk of injury when operating this unit.

- Stand in the operating position (Fig. 4).
- Hold the shaft grip with the right hand. Keep the right arm slightly bent.
- Hold the handle with the left hand. Keep the left arm straight.
- Hold the unit at waist level.
- Hold the unit so that it easily contacts the ground without the need for bending over.

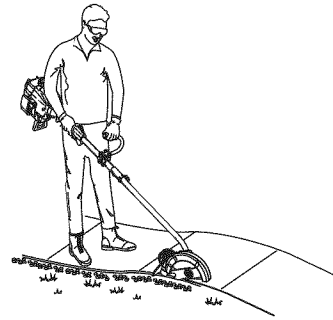


Fig. 4

TIPS FOR BEST RESULTS

- Keep the wheel on the sidewalk or pavement.
- To protect the sidewalk or pavement from damage, keep the edger guide in contact with the edge of the sidewalk or pavement.
- Use the alignment guide to help maintain proper alignment (Fig. 5).
- Keep the blade perpendicular to the ground.
- **DO NOT** force the unit. Make the first cut no more than 1/2" deep. Increase the depth by 1/2" and cut the area again. Repeat this process until the desired depth is achieved. Refer to *Adjusting the Cutting Depth*.
- Cut at a slow, even pace.
- Frequently check the condition of the blade. As it wears, the blade will become smaller, reducing the cutting depth. Replace the blade as needed. Refer to *Replacing the Edger Blade*.

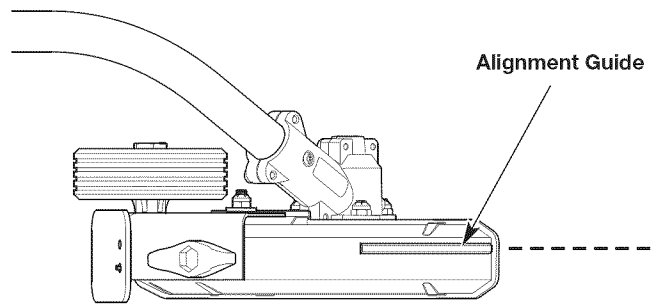


Fig. 5

ADJUSTING THE CUTTING DEPTH

1. Stop the unit and allow it to cool.
2. Disconnect the spark plug wire.
3. Loosen the depth adjustment knob (Fig. 6).
4. Slide the wheel up or down to the desired height.

NOTE: Lowering the wheel will decrease the cutting depth. Raising the wheel will increase the cutting depth.

5. Tighten the depth adjustment knob.
6. Reconnect the spark plug wire and continue use.

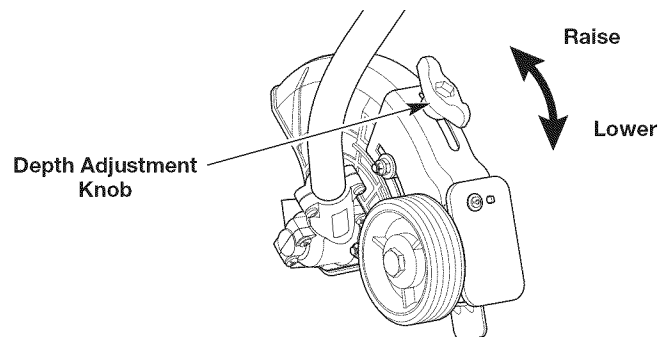


Fig. 6

MAINTENANCE



WARNING: To prevent serious injury, never perform maintenance or repairs while the unit is running. Always allow the unit to cool before servicing or repairing the unit. Disconnect the spark plug wire to prevent the unit from starting accidentally.

NOTE: Some maintenance procedures may require special tools or skills. If unsure about these procedures, take the unit to a Sears or other qualified service dealer. Call **1-800-4-MY-HOME** for more information.

REPLACING THE EDGER BLADE

1. Align the output shaft hole with the locking rod slot. Insert the locking rod through the locking rod slot and into the output shaft hole (Fig. 7).
2. Keep the locking rod in place by holding it next to the shaft housing (Fig. 8).
3. While holding the locking rod, loosen the lock nut by turning it **clockwise** with a 13 mm wrench (Fig. 9).
4. Remove the locking rod. Remove the lock nut, blade retainer and edger blade (Fig. 10). Keep the lock nut and blade retainer for installing the new edger blade.
5. Install the new edger blade, blade retainer and lock nut (Fig. 10).
6. Align the output shaft hole with the locking rod slot. Insert the locking rod through the locking rod slot and into the output shaft hole (Fig. 7).
7. Keep the locking rod in place by holding it next to the shaft housing (Fig. 8).
8. While holding the locking rod, tighten the lock nut by turning it **counterclockwise** (Fig. 9). Make sure that the edger blade stays flat and centered against the output shaft while tightening the lock nut.

If you have a torque wrench, tighten the lock nut to **325-335 in.·lbs (37-38 N·m)**.

If you do not have a torque wrench, tighten the lock nut with a 13 mm wrench, until the lock nut presses against the blade retainer and the edger blade is snug. Make sure the edger blade is installed correctly, then rotate the nut an additional 1/4-1/2 turn.

9. Remove the locking rod.



WARNING: Make sure the blade is flat against the output shaft after the lock nut is tightened. If the blade is off-center, the unit will be damaged by vibration, and the blade may fly off, which can cause serious personal injury.

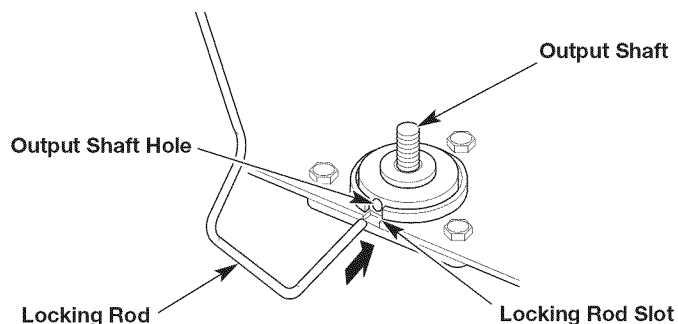


Fig. 7

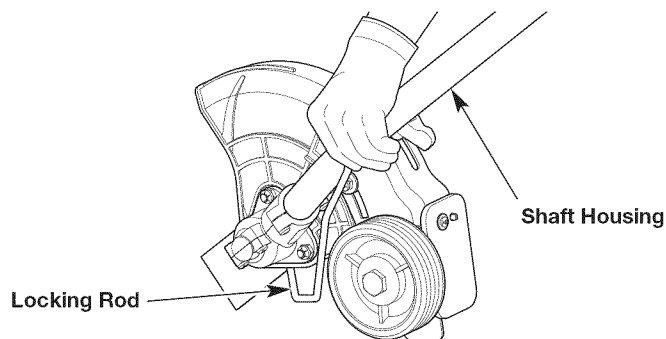


Fig. 8

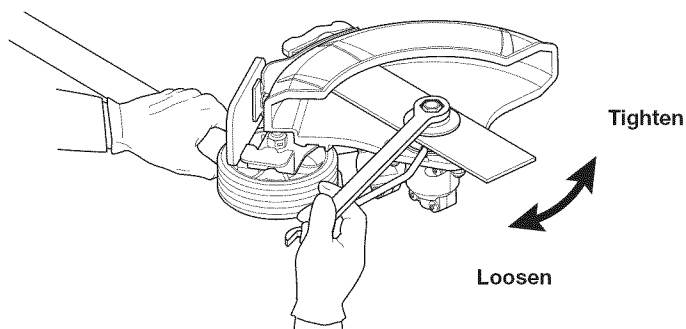


Fig. 9

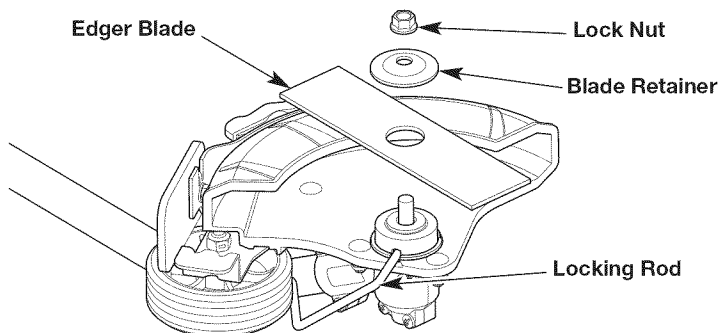


Fig. 10

CLEANING AND STORAGE

CLEANING



WARNING: To avoid serious personal injury, always stop the unit and allow it to cool before cleaning or maintaining the unit.

Use a small brush to clean the outside of the unit. Do not use strong detergents. Household cleaners that contain aromatic oils such as pine and lemon, and solvents such as kerosene, can damage plastic. Wipe off any moisture with a soft cloth.

Clean the edger blade with water. Wipe the edger blade with a light machine oil to prevent rust.

STORAGE

- Never store a fueled unit where fumes may reach an open flame or spark.
- Allow the engine to cool before storing.
- Lock up the unit to prevent unauthorized use or damage.
- Store the unit in a dry, well-ventilated area.
- Store the unit out of the reach of children.

Short-term Storage (1-2 weeks)

1. Store the unit in a horizontal position. If this is not possible, store the unit vertically with the engine at the top.

Long-term Storage

1. Remove the fuel cap, tip the unit and drain the fuel into an approved container. Reinstall the fuel cap.
2. Start the engine and allow it to run until it stalls. This ensures that all fuel has been drained from the carburetor.
3. Allow the engine to cool. Remove the spark plug and put 5 drops of any high quality motor oil into the cylinder. Pull the starter rope slowly to distribute the oil. Reinstall the spark plug.
4. Thoroughly clean the unit and inspect it for any loose or damaged parts. Repair or replace damaged parts and tighten loose screws, nuts or bolts.

Preparing the Unit for Use after Long-term Storage

1. Remove the spark plug and drain all of the oil from the cylinder.

NOTE: Do not use fuel that has been stored for more than 30 days. Dispose of old fuel according to federal, state and local regulations.

NEED MORE HELP?

You'll find the answer and more on managemylife.com – for free!

- Find this and all your other product manuals online.
- Get answers from our team of home experts.
- Get a personalized maintenance plan for your home.
- Find information and tools to help with home projects.



brought to you by Sears

REPAIR PROTECTION AGREEMENTS

Congratulations on making a smart purchase. Your new Craftsman® product is designed and manufactured for years of dependable operation. But like all products, it may require repair from time to time. That's when having a Repair Protection Agreement can save you money and aggravation.

Here's what the Repair Protection Agreement* includes:

- ☑ **Expert service** by our 10,000 professional repair specialists
- ☑ **Unlimited service and no charge** for parts and labor on all covered repairs
- ☑ **Product replacement** up to \$1500 if your covered product can't be fixed
- ☑ **Discount of 25%** from regular price of service and related installed parts not covered by the agreement; also, 25% off regular price of preventive maintenance check
- ☑ **Fast help by phone** – we call it Rapid Resolution - phone support from a Sears representative. Think of us as a “talking owner's manual.”

Once you purchase the Repair Protection Agreement, a simple phone call is all that it takes for you to schedule service. You can call anytime day or night, or schedule a service appointment online.

The Repair Protection Agreement is a risk-free purchase. If you cancel for any reason during the product warranty period, we will provide a full refund. Or, a prorated refund anytime after the product warranty period expires. Purchase your Repair Protection Agreement today!

Some limitations and exclusions apply. For prices and additional information in the U.S.A. call 1-800-827-6655.

***Coverage in Canada varies on some items. For full details call Sears Canada at 1-800-361-6665.**

Sears Installation Service

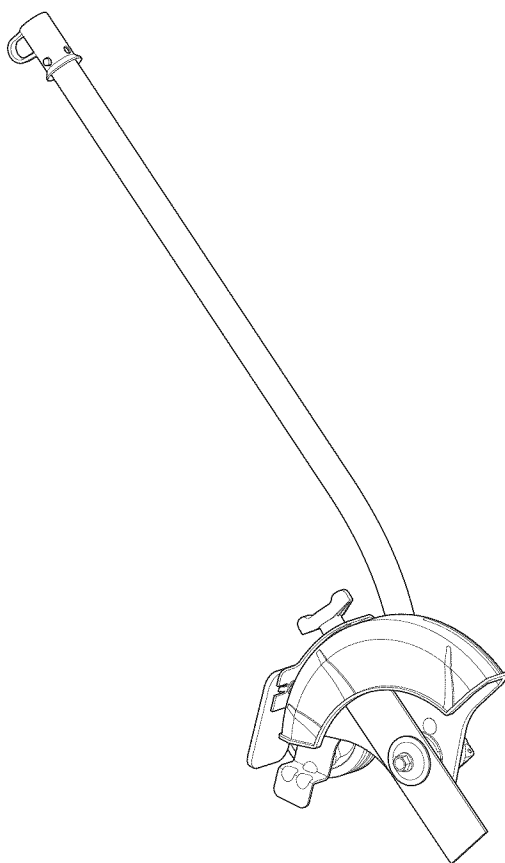
For Sears professional installation of home appliances, garage door openers, water heaters, and other major home items, in the U.S.A. or Canada call 1-800-4-MY-HOME.

Manual del Operador



ACCESORIO UNIVERSAL PARA BORDEADORA

Modelo No. 316.792401



PRECAUCIÓN: Antes de utilizar, este producto lea este manual y siga todas las reglas de seguridad e instrucciones de operación.

- SEGURIDAD
- ENSAMBLAJE
- OPERACIÓN
- MANTENIMIENTO
- LISTA DE PIEZAS

Sears Brands Management Corporation, Hoffman Estates, IL 60179 U.S.A.

Visite nuestro sitio web: www.craftsman.com

TABLA DE CONTENIDO

Seguridad	12
Garantía	14
Conozca su unidad	15
Especificaciones	15
Ensamblaje	16
Operación	17
Mantenimiento	18
Limpieza y almacenamiento	19
Convenio de protección de reparación	20
Lista de piezas	23
Números de servicio	Contraportada

Toda la información, las ilustraciones y especificaciones que contiene este manual se basan en la información más reciente del producto, existente en el momento de la impresión. Nos reservamos el derecho de hacer cambios en cualquier momento, sin previo aviso.

© Sears Brands, LLC

SEGURIDAD

El propósito de los símbolos de seguridad es llamar la atención sobre posibles peligros. Los símbolos de seguridad y sus explicaciones merecen toda su atención y comprensión. Las advertencias de seguridad no eliminan de por sí ningún peligro. Las instrucciones o advertencias que dan no sustituyen las medidas adecuadas de prevención de accidentes.

Lea el manual del operador y siga todas las advertencias e instrucciones de seguridad. No hacerlo puede ocasionar lesiones graves al operador y/o a las personas presentes.

SÍMBOLO SIGNIFICADO

	PELIGRO: Indica un peligro EXTREMO. El no obedecer una señal de seguridad de PELIGRO TRAERÁ COMO CONSECUENCIA que usted u otras personas puedan sufrir lesiones graves o la muerte.
	ADVERTENCIA: Indica un peligro GRAVE. El no obedecer una señal de ADVERTENCIA de seguridad PUEDE conducir a que usted u otras personas sufran graves lesiones.
	PRECAUCIÓN: Indica un peligro MODERADO. El no obedecer una señal de PRECAUCIÓN de seguridad PUEDE conducir a daños a la propiedad o a que usted u otras personas se lesionen.

NOTA: Indica información o instrucciones de vital importancia para la operación o el mantenimiento del equipo.

• INSTRUCCIONES DE SEGURIDAD IMPORTANTES •

LEA TODAS LAS INSTRUCCIONES ANTES DE OPERAR LA UNIDAD



ADVERTENCIA: Al usar la unidad deben seguirse todas las normas de seguridad. Lea estas instrucciones antes de operar la unidad a fin de garantizar la seguridad del operador y de cualquier otra persona presente. Guarde estas instrucciones para poder usarlas más adelante.

- Lea cuidadosamente y entienda el manual del operador de la unidad que impulsa a este acople.
- Lea detenidamente las instrucciones. Familiarícese con los controles y el uso adecuado de la unidad.
- No opere esta unidad si está cansado, enfermo o bajo los efectos del alcohol, drogas o medicamentos.
- Los niños no deben operar la unidad. Los adolescentes deben estar acompañados y supervisados por un adulto.
- Todos los accesorios de protección y seguridad deben estar instalados adecuadamente antes de comenzar a operar la unidad.
- Inspeccione la unidad antes de utilizarla. Reemplace las piezas dañadas. Verifique que no haya fugas de combustible. Asegúrese de que todos los sujetadores estén en su sitio y asegurados. Cambie las piezas rajadas, melladas o dañadas de cualquier forma. No opere la unidad si hay piezas flojas o dañadas.
- Inspeccione cuidadosamente el área antes de encender la unidad. Elimine todos los escombros y los objetos duros o filosos tales como cristales, alambres, etc.
- Tenga en cuenta el riesgo de lesiones a la cabeza, las manos y los pies.
- Aleje a los niños, personas presentes y animales domésticos del área; manténgalos fuera de un radio de 50 pies (15 m) como mínimo. Aún así es posible que se arriesguen a ser golpeados por los objetos lanzados. Sugiera a los presentes usar protección para los ojos. Si alguien se le acerca, pare la unidad inmediatamente.

ADVERTENCIAS DE SEGURIDAD PARA UNIDADES DE GASOLINA



ADVERTENCIA: La gasolina es sumamente inflamable y, de prenderse, sus vapores pueden hacer explosión. Tome las siguientes precauciones:

- Almacene el combustible solo en los recipientes diseñados y aprobados específicamente para estos materiales.
- Pare siempre el motor y deje que se enfríe antes de llenar el tanque. Nunca quite la tapa del tanque de combustible ni eche combustible cuando el motor esté caliente. Antes de llenar el tanque, siempre afloje la tapa lentamente para disipar la presión del mismo.
- Mezcle o eche siempre el combustible en un área exterior bien ventilada y limpia, donde no haya chispas ni llamas. NO fume.
- No opere nunca la unidad si la tapa del combustible no está bien asegurada en su lugar.
- Evite el peligro de incendio debido a combustible derramado. Limpie de inmediato todo combustible derramado de la unidad antes de encenderla. Antes de arrancar el motor, aleje la unidad a una distancia de 30 pies (9.1 m) como mínimo del lugar de abasto de combustible. NO fume.
- No arranque ni use nunca la unidad dentro de una habitación o edificio cerrados. Inhalar los gases de escape puede ser fatal. Opere esta unidad solamente en un área exterior bien ventilada.

AL OPERAR LA UNIDAD

- Use gafas o lentes de seguridad que cumplan con las normas actuales ANSI Z87.1 y estén marcados como tales. Use siempre protección para los oídos al operar esta unidad. Si la operación levanta polvo, lleve puesta una máscara facial o contra el polvo.
- Use pantalones largos y gruesos, botas, guantes y camisa de mangas largas. No use ropa holgada, alhajas, pantalones cortos, sandalias ni ande descalzo. Asegure su cabello por encima del nivel de los hombros.
- Antes de arrancar la unidad, asegúrese de que la cuchilla no haga contacto con ningún objeto.
- Use la unidad únicamente a la luz del día o con buena luz artificial.
- Use la herramienta correcta. Use esta herramienta solamente con el propósito previsto.
- Sostenga siempre la unidad con ambas manos al operarla. Agarre firmemente ambos mangos o empuñaduras.
- No intente alcanzar demasiado lejos. Mantenga siempre una posición y equilibrio adecuados. Tenga mucho cuidado cuando esté trabajando en pendientes pronunciadas o inclinadas.
- Mantenga las manos, la cara y los pies lejos de todas las partes móviles. No toque o trate de detener las piezas móviles.
- No opere la unidad a una velocidad mayor que la necesaria para recortar bordes. No opere la unidad a alta velocidad cuando no esté recortando bordes.
- Tenga mucho cuidado cuando invierta o mueva la unidad hacia usted.
- No fuerce el equipo. El mismo trabajará mejor y con mayor seguridad si lo utiliza a la velocidad para la que ha sido diseñado.
- Pare siempre la unidad cuando posponga el trabajo o mientras camine entre diferentes zonas de corte.
- Si golpea o se enreda con un objeto extraño, pare de inmediato la unidad y verifique si hay algún daño. No ponga a funcionar el equipo sin reparar el daño. No opere la unidad si hay piezas flojas o dañadas.
- Utilice solamente las piezas de repuesto y accesorios del fabricante original que se listan en la sección Lista de piezas de este manual. El uso de cualquier pieza o accesorio no autorizado podría causar lesiones graves al usuario o daños a la unidad y anular la garantía.
- Mantenga la unidad limpia de vegetación y otros materiales que puedan trabarse entre la cuchilla para malezas y el protector de la cuchilla.
- Si la unidad comienza a vibrar anormalmente, deténgala de inmediato. Inspeccione la unidad para encontrar la causa de la vibración. Generalmente, la vibración es un indicador de problemas.

OTRAS ADVERTENCIAS DE SEGURIDAD

- Todos los servicios, que no sean los procedimientos de mantenimiento descritos en este manual, deberán realizarse por un centro de Sears u otro centro de servicio autorizado.
- Antes de inspeccionar, dar mantenimiento, limpiar, guardar, transportar o reemplazar cualquier pieza de la unidad:
 1. Detenga la unidad.
 2. Asegúrese de que todas las piezas móviles estén detenidas.
 3. Espere a que la unidad se enfríe.
 4. Desconecte el cable de la bujía.
- Con el uso, la cuchilla para malezas se pone muy afilada. Siempre use guantes resistentes al manipular, reemplazar o limpiar la cuchilla para malezas.

- No guarde nunca la unidad con combustible en el tanque ni dentro de una edificación en la que los gases puedan ponerse en contacto con una llama expuesta (luces piloto, etc.) o chispas (interruptores, motores eléctricos, etc.).
- Cerciórese de asegurar bien la unidad al transportarla.
- Guarde la unidad en un lugar seco, bajo llave o en alto, a fin de evitar su uso no autorizado o daño. Manténgala fuera del alcance de los niños.
- No moje ni rocíe la unidad con agua ni con ningún otro líquido. Mantenga los mangos secos, limpios y sin suciedades. Limpie la unidad después de cada uso, consulte las instrucciones de *Limpieza y almacenamiento*.
- Guarde estas instrucciones. Consúltelas con frecuencia y utilícelas para instruir a otros usuarios. Si le presta esta unidad a alguien, préstele también estas instrucciones.

GUARDE ESTAS INSTRUCCIONES




• SÍMBOLOS INTERNACIONALES Y DE SEGURIDAD •

Este manual del operador describe símbolos y pictografías internacionales y de seguridad que posiblemente aparezcan en este producto. Lea el manual del operador para informarse bien sobre la seguridad, ensamblaje, operación, mantenimiento y reparación.

SÍMBOLO SIGNIFICADO

	<ul style="list-style-type: none"> • SÍMBOLO DE ALERTA DE SEGURIDAD Indica peligro, advertencia o precaución. Puede utilizarse junto a otros símbolos o pictografías.
	<ul style="list-style-type: none"> • LEA EL MANUAL DEL OPERADOR ADVERTENCIA: Lea el o los manuales del operador y siga todas las advertencias e instrucciones de seguridad. No hacerlo puede ocasionar lesiones graves al operador y/o a las personas presentes.
	<ul style="list-style-type: none"> • USE PROTECCIÓN PARA LOS OJOS Y OÍDOS ADVERTENCIA: Los objetos lanzados y el ruido fuerte pueden ocasionar lesiones graves a los ojos y pérdida de la audición. Al operar esta unidad, use protección para los ojos que cumpla con la normas ANSI Z87.1 y protección para los oídos. De ser necesario, use un protector facial completo.

SÍMBOLO SIGNIFICADO

	<ul style="list-style-type: none"> • LOS OBJETOS QUE SALEN DESPEDIDOS Y LA CUCHILLA GIRATORIA PUEDEN OCASIONAR LESIONES GRAVES ADVERTENCIA: Los objetos pequeños pueden ser lanzados a gran velocidad y ocasionar lesiones. Manténgase alejado del rotor cuando esté girando.
	<ul style="list-style-type: none"> • MANTENGA ALEJADOS A LOS PRESENTES ADVERTENCIA: Mantenga a todos los presentes, especialmente a los niños y animales domésticos, a una distancia de al menos 50 pies (15 m).
	<ul style="list-style-type: none"> • LA CUCHILLA GIRATORIA PUEDE OCASIONAR LESIONES GRAVES ADVERTENCIA: Pare el motor y espere a que la cuchilla se detenga antes de quitar la cuchilla, o antes de limpiar o realizar cualquier trabajo de mantenimiento. Mantenga las manos y los pies alejados de la cuchilla giratoria.

GARANTÍA

GARANTÍA TOTAL POR DOS AÑOS CRAFTSMAN

Este producto se garantiza POR DOS AÑOS a partir de la fecha de compra, contra cualquier defecto de materiales o mano de obra. Un producto defectuoso será sustituido sin cargo alguno.

Para conocer los detalles de la cobertura a fin de obtener el reemplazo gratuito, visite el sitio web: www.craftsman.com

Esta garantía no cubre la cuchilla, que es una pieza consumible que se desgasta debido al uso normal dentro del período de garantía.

Esta garantía se anula si el producto en algún momento se utiliza para prestar servicios comerciales o se alquila a otra persona.

Esta garantía le confiere a usted derechos legales específicos y usted puede tener, además, otros derechos que difieren de un estado a otro.

Sears Brands Management Corporation, Hoffman Estates, IL 60179

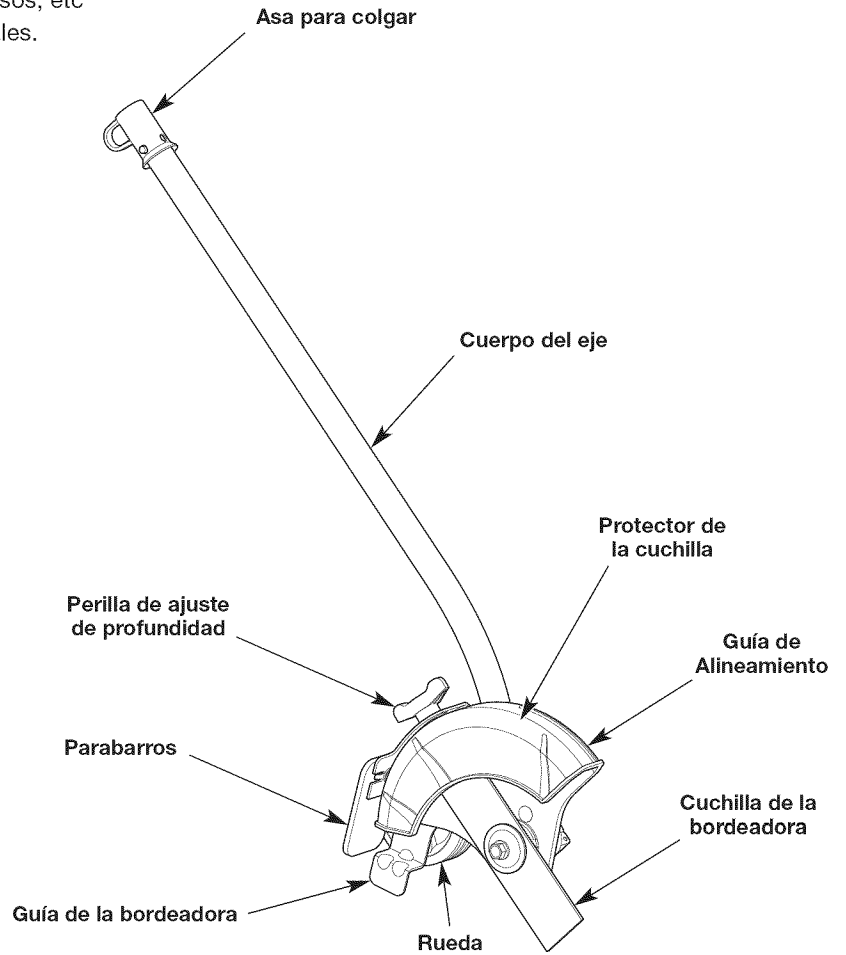
CONOZCA SU UNIDAD

USOS

Como bordeadora:

- Para orillar senderos, entradas de autos, jardincillos rocosos, etc
- Con esta unidad se pueden utilizar otros accesorios opcionales.

**NO SE REQUIERE DE HERRAMIENTAS
PARA EL ENSAMBLAJE**



ESPECIFICACIONES*

Peso aproximado de la unidad (sólo el accesorio)	4 - 5 libras (1.8 - 2.3 kg)
Profundidad de corte (máxima)	2.5 pulgadas (63.5 mm)
Diámetro de la rueda	3.75 pulgadas (95.25 mm)

* Todas las especificaciones se basan en la información del producto más reciente disponible en el momento de la impresión. Nos reservamos el derecho de hacer cambios en cualquier momento, sin previo aviso.



ADVERTENCIA: No utilice este accesorio con una unidad eléctrica o accionada por batería. Hacerlo puede causar que el motor se sobrecaliente, lo que puede provocar daños a la unidad y posibles lesiones personales.

CÓMO OPERAR EL ACOPLADOR

El acoplador permite usar accesorios opcionales.



ADVERTENCIA: Antes de utilizar algún accesorio, lea y comprenda el manual adjunto. Siga todas las instrucciones de seguridad que contengan.



ADVERTENCIA: Para evitar lesiones personales graves y daños a la unidad, apague la unidad antes de quitar o instalar cualquier accesorio.

NOTA: Para facilitar la instalación o remoción de un accesorio, coloque la unidad sobre el suelo o sobre un banco de trabajo.

Instalación del accesorio

NOTA: Para ensamblar el accesorio, quite la tapa protectora y el espaciador gris de los ejes superior e inferior.

1. Para aflojar, gire la perilla en sentido contrario a las agujas del reloj (Fig. 1).
2. Mientras sostiene el accesorio con firmeza, empuje en línea recta hacia dentro del acoplador hasta que el botón de desconexión encaje firmemente en el agujero principal (Fig. 3).

NOTA: Alinear el botón de desconexión con el agujero guía facilitará la instalación (Fig. 2).

3. Para apretar, gire la perilla en el sentido de las agujas del reloj (Fig. 1).



PRECAUCIÓN: Antes de operar esta unidad, cerciórese de que el botón de desconexión esté completamente encajado en el agujero principal (Fig. 3) y de que la perilla (Fig. 1) esté firmemente apretada.



PRECAUCIÓN: El botón de desconexión debe estar encajado solamente en el orificio principal. Usar un orificio incorrecto podría ocasionar lesiones personales o daños a la unidad.

Para realizar bordeados decorativos con el accesorio de corte con hilo, trabe el botón de desconexión en el interior del agujero de 90° (Fig. 1).

Cómo quitar el accesorio

1. Para aflojar, gire la perilla en sentido contrario a las agujas del reloj (Fig. 1).
2. Oprima y sostenga el botón de desconexión (Fig. 2).
3. Al tiempo que sujeta firmemente la caja del eje superior, saque el accesorio del acoplador (Fig. 3).

Orificio de 90°
para bordeadora
(solo recortadora)

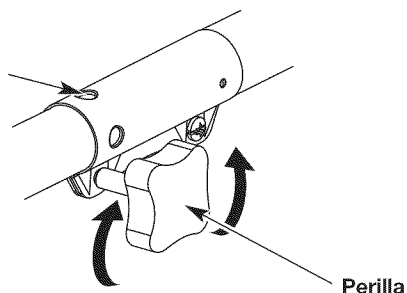


Fig. 1

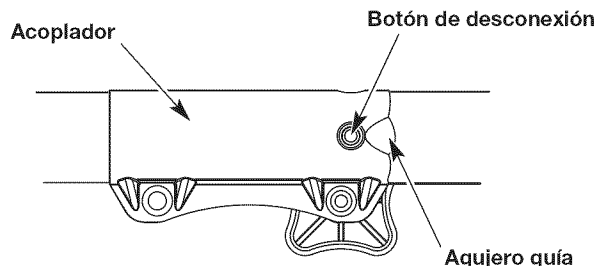


Fig. 2

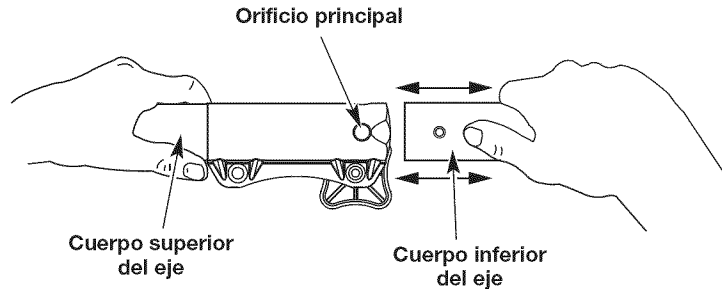


Fig. 3

SUJETAR LA UNIDAD



ADVERTENCIA: Al operar esta unidad, lleve siempre puesta protección para los ojos, oídos, pies y cuerpo a fin de reducir el riesgo de lesiones.

- Párese en la posición de operación (Fig. 4).
- Sostenga la empuñadura del eje con la mano derecha. Mantenga el brazo derecho ligeramente flexionado.
- Sujete el mango con la mano izquierda. Mantenga el brazo izquierdo recto.
- Sujete la unidad a la altura de la cintura.
- Sostenga la unidad de modo que haga contacto fácilmente con la césped, sin necesidad de inclinarse.

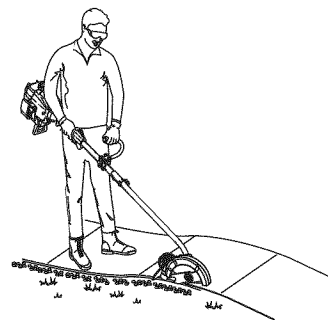


Fig. 4

RECOMENDACIONES PARA MEJORES RESULTADOS

- Mantenga la rueda sobre la acera o el pavimento.
- Para proteger la acera o el pavimento contra daños, mantén la guía de la bordeadora en contacto con el borde de los mismos.
- Usa la guía para ayudar a mantener un alineamiento adecuado (Fig. 5).
- Mantenga la cuchilla perpendicular al suelo.
- **NO** fuerce la unidad. Haga el primer corte a no más de 1/2 pulgada de profundidad. Aumente la profundidad en 1/2 pulgada y vuelva a cortar el área. Repita este proceso hasta que consiga la profundidad deseada. Remítase a *Ajustar la profundidad de corte*.
- Corte a un paso lento y uniforme.
- Compruebe la condición de la cuchilla con frecuencia. A medida que se desgasta, la cuchilla se pone más pequeña, reduciendo la profundidad de corte. Reemplace la cuchilla según sea necesario. Remítase a *Reemplazar la cuchilla de la bordeadora*.

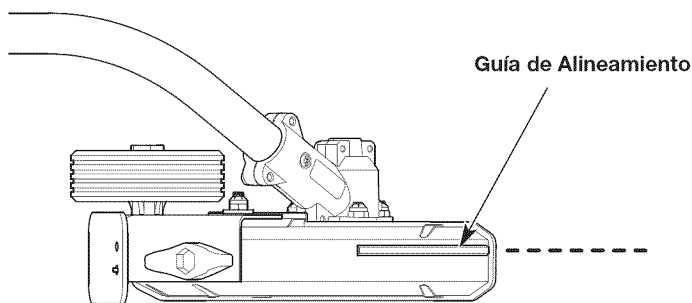


Fig. 5

AJUSTAR LA PROFUNDIDAD DE CORTE

1. Detenga la unidad y déjela enfriar.
 2. Desconecte el cable de la bujía.
 3. Afloje la perilla de ajuste de profundidad (Fig. 6).
 4. Levante o baje la rueda para ajustar a la altura deseada.
- NOTA:** Bajar la rueda disminuirá la profundidad de corte. Elevar la rueda aumentará la profundidad de corte.
5. Apriete la perilla de ajuste de profundidad.
 6. Vuelva a conectar el cable de la bujía y continúe usándola.

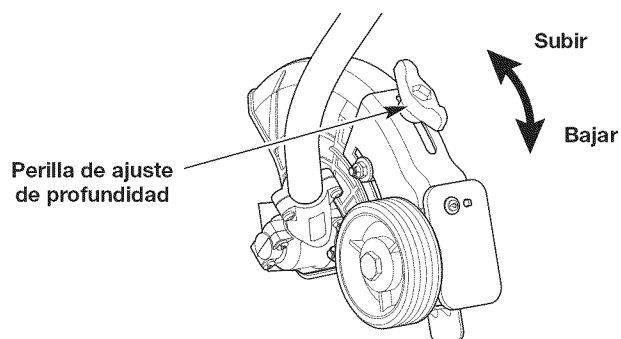


Fig. 6



ADVERTENCIA: Para evitar lesiones graves, no haga nunca ningún mantenimiento ni reparación con la unidad funcionando. Siempre deje que la unidad se enfríe antes de darle mantenimiento o repararla. Desconecte el cable de la bujía para evitar que la unidad arranque por accidente.

NOTA: Es posible que algunos procedimientos de mantenimiento requieran herramientas o habilidades especiales. Si no está seguro de poder llevar a cabo estos procedimientos, lleve la unidad a Sears u otro distribuidor de servicio calificado. Para más información, llame al **1-800-4-MY-HOME**.

REEMPLAZAR LA CUCHILLA DE LA BORDEADORA

1. Alinee el orificio del eje de salida con la ranura de la varilla de traba. Inserte la varilla de traba en la ranura de la varilla de traba y en el agujero del eje de salida (Fig. 7).
2. Mantenga la varilla de traba en su lugar sosteniéndola al lado de la caja del eje (Fig. 8).
3. Mientras sostiene la varilla de traba, afloje la contratuerca girándola **en el sentido de las agujas del reloj** con una llave de 13 mm (Fig. 9).
4. Quite la varilla de traba. Quite la contratuerca, el retenedor de la cuchilla y la cuchilla de la bordeadora (Fig. 10). Guarde la contratuerca y el retén de la cuchilla para instalar la nueva cuchilla de la bordeadora.
5. Instale la nueva cuchilla de la bordeadora y el retén de la cuchilla y la contratuerca (Fig. 10).
6. Alinee el orificio del eje de salida con la ranura de la varilla de traba. Inserte la varilla de traba en la ranura de la varilla de traba y en el agujero del eje de salida (Fig. 7).
7. Mantenga la varilla de traba en su lugar sosteniéndola al lado de la caja del eje (Fig. 8).
8. Mientras sostenga la varilla de traba, apriete la contratuerca girándola **en sentido contrario a las agujas del reloj** (Fig. 9). Cerciórese que la cuchilla de la bordeadora quede plana y centrada en relación con el eje de salida cuando apriete la contratuerca.
Si tiene una llave dinamométrica, apriete la contratuerca a **325-335 pulg•lbs (37-38 N•m)**.
Si tiene una llave dinamométrica, apriete la contratuerca con una llave de 13 mm, hasta que la contratuerca se presione contra el retén de la cuchilla y la cuchilla de la bordeadora esté ajustada. Asegúrese que la cuchilla de la bordeadora esté instalada correctamente, luego gire la tuerca 1/4 o 1/2 más.
9. Quite la varilla de traba.



ADVERTENCIA: Verifique que la cuchilla esté plana contra el eje de salida después de ajustar la tuerca. Si la cuchilla está descentrada, la unidad se dañará con la vibración, y la cuchilla puede salir despedida, lo cual puede causar lesiones personales graves.

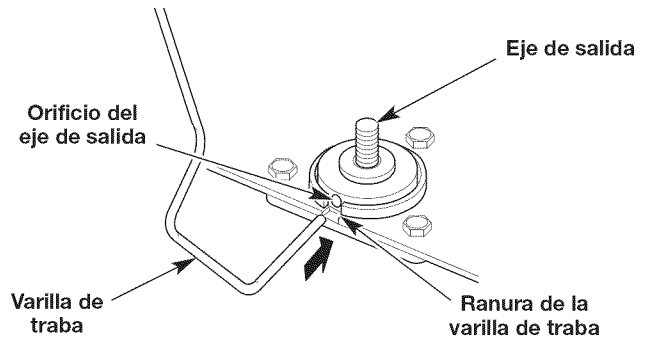


Fig. 7

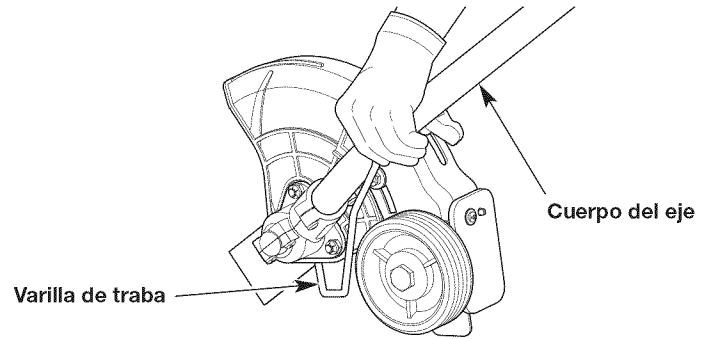


Fig. 8

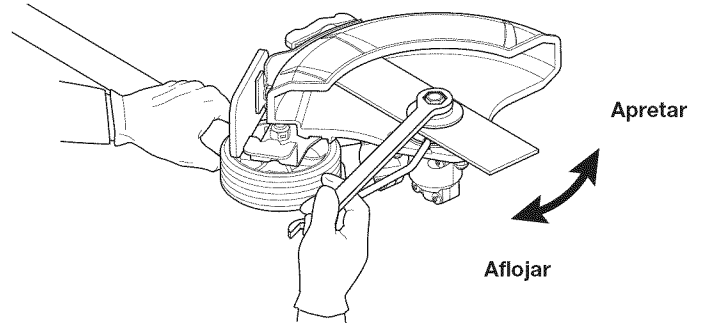


Fig. 9

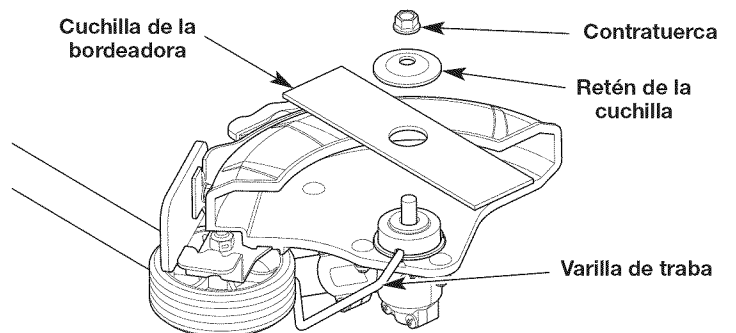


Fig. 10

LIMPIEZA



ADVERTENCIA: Para evitar lesiones personales graves, apague siempre la unidad y deje que se enfríe antes de limpiarla o darle mantenimiento.

Use un cepillo pequeño para limpiar la unidad por fuera. No utilice detergentes fuertes. Los limpiadores caseros que contienen aceites esenciales, por ejemplo, de pino y limón, y los solventes como el queroseno, pueden dañar el plástico. Seque la humedad con un paño suave.

Limpie con agua la cuchilla de la bordeadora. Limpie la cuchilla de la bordeadora con un aceite ligero de máquina para evitar la corrosión.

ALMACENAMIENTO

- No guarde nunca la unidad con combustible en el tanque en un lugar en el que los gases puedan ponerse en contacto con una llama expuesta o chispas.
- Espere a que el motor se enfríe para guardar la unidad.
- Guarde la unidad bajo llave para evitar su uso no autorizado o daño.
- Guarde la unidad en un lugar seco y bien ventilado.
- Guarde la unidad fuera del alcance de los niños.

Almacenamiento por corto tiempo (1 a 2 semanas)

1. Guarde la unidad en posición horizontal. Si no es posible, guarde la unidad en posición vertical con el motor para arriba.

Almacenamiento a largo plazo

1. Quítele la tapa al tanque de combustible, incline la unidad y vacíe el combustible en un contenedor aprobado. Vuelva a ponerle la tapa al tanque de gasolina.
2. Arranque el motor y déjelo funcionar hasta que se cale. Con esto se asegura vaciar todo el combustible del carburador.
3. Espere a que el motor se enfríe. Quítele la bujía y eche 5 gotas de cualquier aceite de motor de alta calidad en el cilindro. Tire despacio de la cuerda de arranque para distribuir el aceite. Vuelva a poner la bujía.
4. Limpie bien la unidad y compruebe que no haya piezas sueltas o dañadas. Repare o reemplace las piezas dañadas y apriete los tornillos, tuercas o pernos flojos.

Preparar la unidad para usarla después de un almacenamiento prolongado

1. Saque la bujía y vacíe todo el aceite que está en el cilindro.

NOTA: No use un combustible que haya estado almacenado por más de 30 días. Deseche el aceite viejo, de conformidad con las regulaciones federales, estatales y locales.

¿NECESITA MÁS AYUDA?

Encontrará la respuesta y más información en managemylife.com – ¡gratis!

- Busque en Internet éste y todos los demás manuales de sus productos.
- Pregúntele a nuestro equipo de expertos del hogar.
- Reciba un plan de mantenimiento personalizado para su hogar.
- Busque información y herramientas que lo ayuden en sus proyectos del hogar.



ofrecido por Sears

CONVENIOS DE PROTECCIÓN DE REPARACIÓN

Felicitaciones por haber hecho una compra inteligente. Su nuevo producto Craftsman® fue diseñado y fabricado con vistas a una operación confiable por años. Pero como todos los productos, es posible que sea necesario repararlo alguna vez. Ahí es cuando tener un Convenio de Protección de Reparación puede ahorrarle dinero y problemas.

Esto es lo que incluye el Convenio de Protección de Reparación*:

- Servicio de experto** por nuestros 10,000 profesionales, especialistas en reparaciones
- Servicio ilimitado y sin costo alguno** en piezas y mano de obra para todas las reparaciones cubiertas
- Reemplazo del producto** por otro que cueste hasta \$1500 si el producto cubierto no tiene reparación
- Descuento del 25%** del precio normal por el servicio y las piezas instaladas que no cubra el convenio; así como también el 25% de descuento por el mantenimiento preventivo
- Ayuda rápida por teléfono** – la llamamos Solución Rápida – asistencia técnica por teléfono de un representante de Sears. Considérenos un "manual de usuario que habla".

Una vez que adquiera el Convenio de Protección de Reparación, todo lo que necesita es hacer una simple llamada para programar el servicio. Puede llamar a cualquier hora del día o de la noche o programar el servicio por Internet.

El Convenio de Protección de Reparación es una compra libre de riesgo. Si usted lo cancela por cualquier motivo mientras dure la garantía del producto, le haremos un reembolso completo. Si lo hace en cualquier momento después de vencida la garantía, le haremos un reembolso prorrateado. ¡Adquiera hoy mismo su Convenio de Protección de Reparación!

Se aplican algunas limitaciones y exclusiones. Para precios e información adicional en Estados Unidos, llame al 1-800-827-6655.

***La cobertura en Canadá varía en algunos artículos. Para todos los detalles, llame a Sears de Canadá al 1-800-361-6665.**

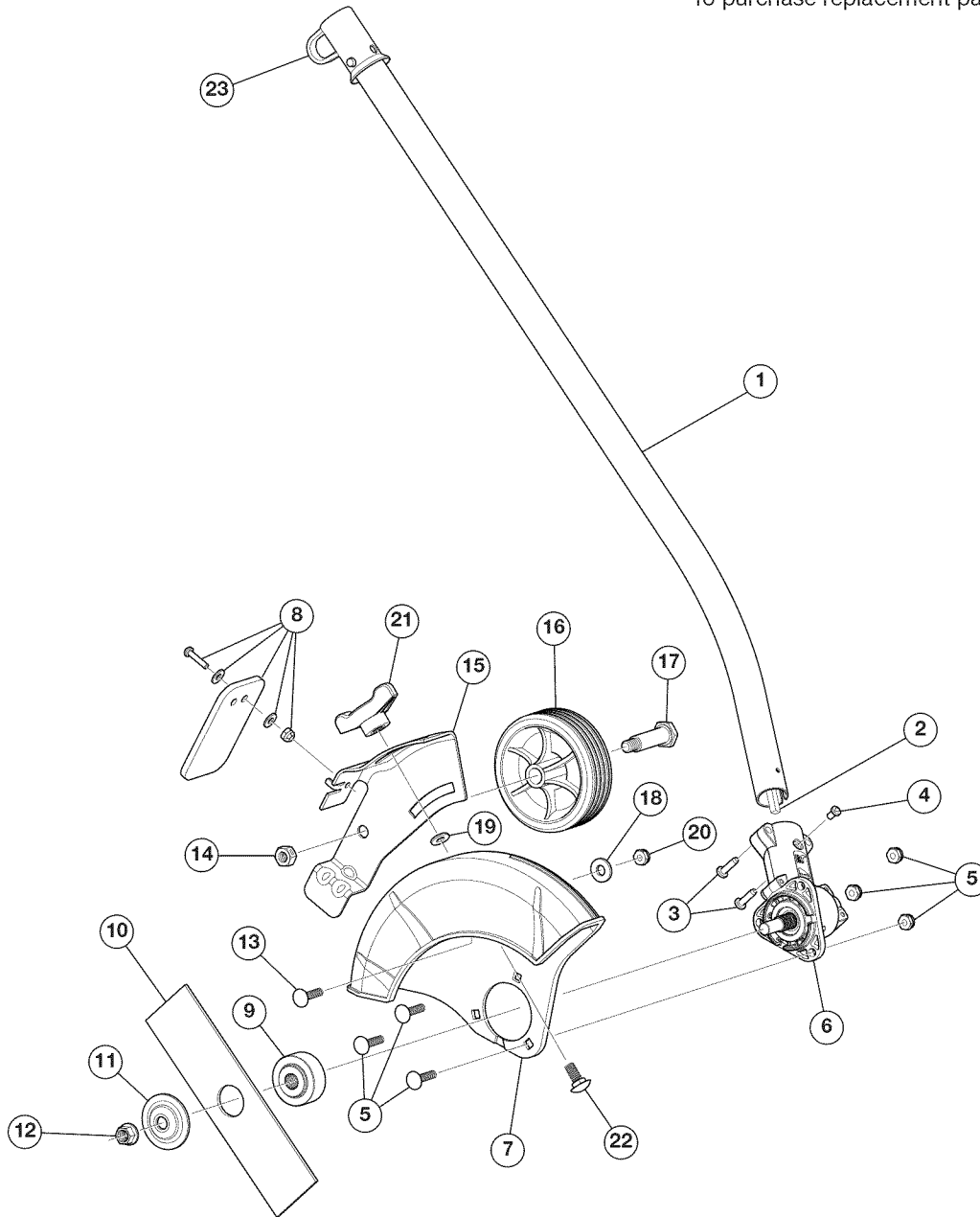
Servicio de Instalación Sears

Para la instalación de electrodomésticos, abrepuestas de garajes, calentadores de agua, y otros productos para el hogar por profesionales de Sears, en Estados Unidos o Canadá, llame al **1-800-4-MY-HOME**.

PARTS LIST

REPLACEMENT PARTS - MODEL 316.792401 UNIVERSAL EDGER ATTACHMENT

To purchase replacement parts, call 1-800-469-4663.



Item	Part No.	Description	Item	Part No.	Description
1	753-08036	Boom Assembly	12	791-613221	Blade Retainer Nut
2	753-05267	Drive Shaft	13	753-04270	Wheel Bracket Mounting Bolt
3	791-182195	Boom Mounting Hardware	14	753-04264	Nut
4	791-182519	Anti-Rotation Screw	15	753-08021	Edger Guide
5	753-1217	Guard Mounting Hardware	16	791-181242	Wheel
6	753-04258	Gearbox Assembly	17	753-06718	Shoulder Bolt
7	753-08019	Blade Guard	18	791-182216	Washer
8	753-08020	Deflector w/Hardware	19	753-08022	Washer
9	753-04261	Spacer	20	791-180050	Nut
10	791-613223B	Blade	21	753-08023	Edger Guide Knob
11	791-147490	Blade Clamp Washer	22	753-08024	Bolt
			23	731-08926	Hanger

CRAFTSMAN®