

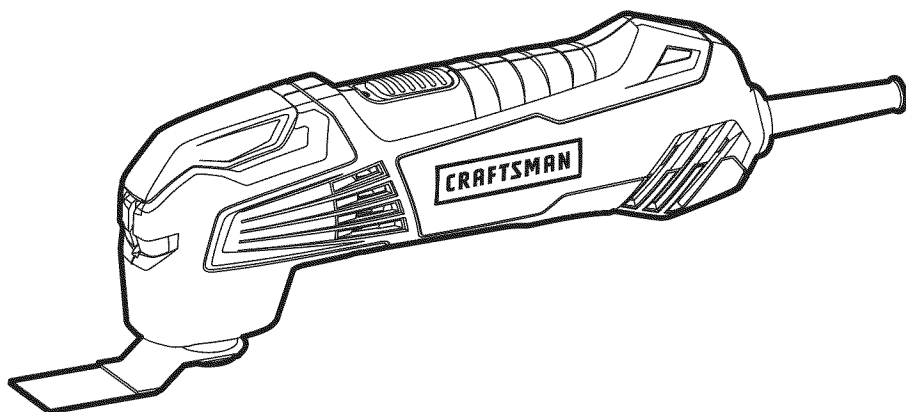
Operator's Manual

**CRAFTSMAN®**

**NEXTEC**

## 2.5 AMP MULTI-TOOL KIT

Model No. 320.35078



**▲ WARNING:** To reduce the risk of injury, read and understand the Operator's manual before using this product.

- WARRANTY
- SAFETY
- ASSEMBLY
- OPERATION
- MAINTENANCE
- ESPAÑOL

Sears Brands Management Corporation, Hoffman Estates,  
IL 60179 U.S.A.

[www.craftsman.com](http://www.craftsman.com)

## TABLE OF CONTENTS

Warranty	page 2
Safety Symbols	pages 4-5
Safety Instructions	pages 6-8
Description	pages 9-10
Assembly	pages 10-11
Operation	pages 12-25
Maintenance	page 26
Troubleshooting	page 26
Part List	pages 27-29

### **CRAFTSMAN ONE YEAR LIMITED WARRANTY**

FOR ONE YEAR from the date of purchase, this product is warranted against any defects in material or workmanship. With proof of purchase, defective product will be replaced free of charge.

**For warranty coverage details to obtain free replacement, visit the web site: [www.craftsman.com](http://www.craftsman.com)**

This warranty does not cover the sandpaper, rasps or blades, which are expendable parts that can wear out from normal use within the warranty period.

This warranty is void if this product is ever used while providing commercial services or if rented to another person.

This warranty gives you specific legal rights, and you may also have other rights which vary from state to state.

Sears Brands Management Corporation, Hoffman Estates, IL 60179

This multi-tool has many features for making its use more pleasant and enjoyable. Safety, performance, and dependability have been given top priority in the design of this product making it easy to maintain and operate.

**SAVE THESE INSTRUCTIONS!**

**READ ALL INSTRUCTIONS!**

**⚠ DANGER:** People with electronic devices, such as pacemakers, should consult their physician(s) before using this product. Operation of electrical equipment in close proximity to a heart pacemaker could cause interference or failure of the pacemaker.

**⚠ WARNING:** Some dust created by power sanding, sawing, grinding, drilling and other construction activities contains chemicals known to the state of California to cause cancer, birth defects or other reproductive harm. Some examples of these chemicals are:

- Lead from lead-based paints,
- Crystalline silica from bricks and cement and other masonry products, and
- Arsenic and chromium from chemically-treated lumber.

Your risk from these exposures varies, depending on how often you do this type of work. To reduce your exposure to these chemical: work in a well ventilated area, and work with approved safety equipment, such as those dust masks that are specially designed to filter out microscopic particles.

## SAFETY SYMBOLS

The purpose of safety symbols is to attract your attention to possible dangers.

The safety symbols and the explanations with them deserve your careful attention and understanding. The symbol warnings do not, by themselves, eliminate any danger. The instructions and warnings they give are no substitutes for proper accident prevention measures.

**⚠ WARNING:** Be sure to read and understand all safety instructions in this manual, including all safety alert symbols such as “**DANGER**,” “**WARNING**,” and “**CAUTION**” before using this tool. Failure to follow all instructions listed in this manual may result in electric shock, fire and/or serious personal injury.

### SYMBOL SIGNAL MEANING

**SAFETY ALERT SYMBOL:** Indicates **DANGER, WARNING, OR CAUTION;** may be used in conjunction with other symbols or pictographs.

**⚠ DANGER:** Indicates an imminently hazardous situation, which, if not avoided, will result in death or serious injury.

**⚠ WARNING:** Indicates a potentially hazardous situation, which, if not avoided, could result in death or serious injury.

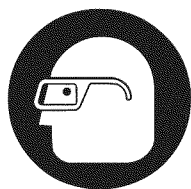
**⚠ CAUTION:** Indicates a potentially hazardous situation, which, if not avoided, could result in minor or moderate injury.

### Damage prevention and Information Messages

These inform the user of important information and/or instructions that could lead to equipment or other property damage if they are not followed. Each message is preceded by the word “NOTICE”, as in the example below:

**NOTICE:** Equipment and/or property damage may result if these instructions are not followed.










**⚠ WARNING:** To ensure safety and reliability, all repairs should be performed by a qualified service technician.



**⚠ WARNING:** The operation of any power tools can result in foreign objects being thrown into your eyes, which can result in severe eye damage. Before beginning power tool operation, always wear safety goggles or safety glasses with side shield and a full face shield when needed. We recommend a Wide Vision Safety Mask for use over eyeglasses or standard safety glasses with side shields. Always use eye protection which is marked to comply with ANSI Z87.1.

## SAVE THESE INSTRUCTIONS

Some of these following symbols may be used on this tool. Please study them and learn their meaning. Proper interpretation of these symbols will allow you to operate the tool better and more safely.

SYMBOL	NAME	DESIGNATION/EXPLANATION
V	Volts	Voltage
A	Amperes	Current
Hz	Hertz	Frequency (cycles per second)
W	Watt	Power
min	Minutes	Time
	Alternating Current	Type of current
	Direct Current	Type or a characteristic of current
$n_0$	No Load Speed	Rotational speed, at no load
	Class II Construction	Double-insulated construction
.../min	Per Minute	Revolutions, strokes, surface speed, orbits, etc., per minute
	Wet Conditions Alert	Do not expose to rain or use in damp locations.
	Read The Operator's Manual	To reduce the risk of injury, user must read and understand operator's manual before using this product.
	Eye Protection	Always wear safety goggles or safety glasses with side shields and a full face shield when operating this product.
	Safety Alert	Precautions that involve your safety.
	No Hands Symbol	Failure to keep your hands away from the blade will result in serious personal injury.
	No Hands Symbol	Failure to keep your hands away from the blade will result in serious personal injury.
	No Hands Symbol	Failure to keep your hands away from the blade will result in serious personal injury.
	No Hands Symbol	Failure to keep your hands away from the blade will result in serious personal injury.
	Hot Surface	To reduce the risk of injury or damage, avoid contact with any hot surface.

# SAFETY INSTRUCTIONS

## GENERAL POWER TOOL SAFETY WARNINGS

**⚠ WARNING:** Read and understand all instructions. Failure to follow all instructions in this Operator's Manual may result in electric shock, fire, and/or serious personal injury.

**Save all warnings and instructions for future reference.**

- The term "power tool" in all warnings listed below refers to corded power tools or battery-operated (cordless) power tools.

## WORK AREA SAFETY

- **Keep your work area clean and well lit.** Cluttered or dark areas invite accidents.
- **Do not operate power tools in explosive environments, such as in the presence of flammable liquids, gases, or dust.** Power tools create sparks, which may ignite the dust or fumes.
- **Keep children and bystanders away while operating a power tool.** Distractions may cause you to lose control.

## ELECTRICAL SAFETY

- **Power tool plugs must match the outlet. Never modify the plug in any way.** Do not use any adapter plugs with grounded power tools. Unmodified plugs and matching outlets will reduce the risk of electric shock.
- **Avoid body contact with grounded surfaces, such as pipes, radiators, ranges, and refrigerators.** There is an increased risk of electric shock if your body is grounded.
- **Do not expose power tools to rain or wet conditions.** Water entering a power tool will increase the risk of electric shock.
- **Do not abuse the cord.** Never use the cord for carrying, pulling, or unplugging the power tool. Keep the cord away from heat, oil, sharp edges, or moving parts. Damaged or entangled cords increase the risk of electric shock.
- **When operating a power tool outdoors, use an extension cord suitable for outdoor use.** Use of a cord suitable for outdoor use reduces the risk of electric shock.
- **If operating a power tool in a damp location is unavoidable, use a ground fault circuit interrupter (GFCI) protected supply.** Use of a GFCI reduces the risk of electric shock.

## PERSONAL SAFETY

- **Stay alert, watch what you are doing and use common sense when operating a power tool.** Do not use the tool while tired or under the influence of drugs, alcohol, or medication. A moment of inattention while operating power tools may result in serious personal injury.
- **Use personal protective equipment.** Always wear eye protection. Protective equipment, such as a dust mask, non-skid safety shoes, hard hat, or hearing protection, used for appropriate conditions, will reduce personal injuries.
- **Prevent unintentional starting.** Ensure that the switch is in the OFF position before connecting to a power source and/or battery, picking up or carrying the tool. Carrying power tools with your finger on the switch or energizing power tools that have the switch turned on invites accidents.
- **Remove any adjusting key or wrench before turning the power tool on.** A wrench or a key left attached to a rotating part of the power tool may result in personal injury.
- **Do not overreach. Keep proper footing and balance at all times.** This enables better control of the power tool in unexpected situations.
- **Dress properly.** Do not wear loose clothing or jewelry. Keep your hair, clothing and gloves away from moving parts. Loose clothes, jewelry or long hair can be caught in moving parts.
- **If devices are provided for the connection of dust extraction and collection facilities, ensure that these are connected and properly used.** Use of these devices can reduce dust-related hazards.

## POWER TOOL USE AND CARE

- **Do not force the power tool.** Use the correct power tool for your application. The correct power tool will do the job better and more safely at the rate for which it was designed.
- **Do not use the power tool if the switch does not turn it on and off.** Any power tool that cannot be controlled with the switch is dangerous and must be repaired.
- **Disconnect the plug from the power source and/or the battery from the power tool before making any adjustments, changing accessories, or storing power tools.** Such preventive safety measures reduce the risk of starting the power tool accidentally.
- **Store idle power tools out of the reach of children and do not allow persons unfamiliar with the power tool or these instructions to operate the power tool.** Power tools are dangerous in the hands of untrained users.
- **Maintain power tools.** Check for misalignment or binding of moving parts, breakage of parts and any other condition that may affect the power tool operation. If damaged, have the power tool repaired before use. Many accidents are caused by poorly maintained power tools.

- **Keep cutting tools sharp and clean.** Properly maintained cutting tools with sharp cutting edges are less likely to bind and are easier to control.
- **Use the power tool, accessories, tool bits, etc. in accordance with these instructions, taking into account the working conditions and the work to be performed.** Use of the power tool for operations different from those intended could result in a hazardous situation.

## SERVICE

- **Have your power tool serviced by a qualified repair person using only identical replacement parts.** This will ensure that the safety of the power tool is maintained.
- **Follow instructions in the Maintenance section of this manual.** Use of unauthorized parts or failure to follow Maintenance instructions may create a risk of shock or injury.

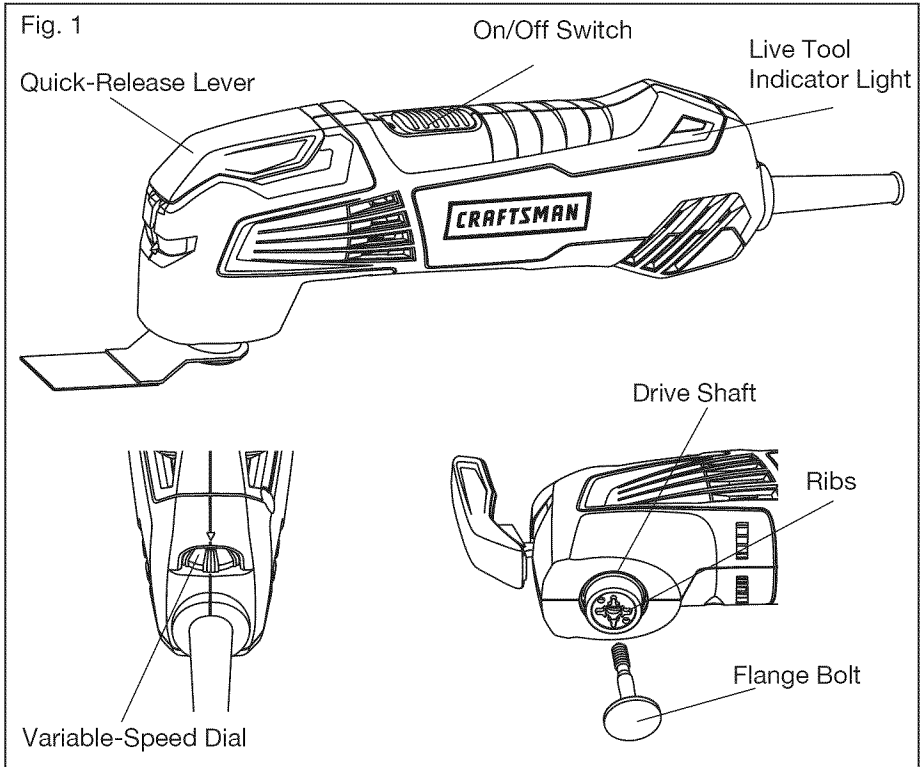
## SPECIFIC SAFETY RULES FOR MULTI-TOOL

- **Hold power tools by their insulated gripping surfaces when performing an operation where the cutting tool may contact hidden wiring or its own cord.** Contact with a "live" wire will make exposed metal parts of the tool live and will shock the operator.
- **A suitable breathing respirator must be worn while sanding lead paint, some woods and metal to avoid breathing the harmful/toxic dust or air.**
- **Always wear safety goggles and a dust mask when sanding, especially when sanding over-head.**
- **The machine is not suitable for wet sanding.**
- **Do not use sanding paper larger than needed.** Extra paper extending beyond the sanding pad can cause serious lacerations.
- **Secure the workpiece.** A workpiece clamped with clamping devices or in a vice is held more securely than by hand.
- **Wear protective gloves when changing cutting tools.** Cutting tools become hot after prolonged use..
- **Keep hands away from the cutting range.** Do not reach under the workpiece. Contact with the blade can lead to injuries.



## DESCRIPTION

### KNOW YOUR MULTI-TOOL (Fig. 1)



### PRODUCT SEPCIFICATIONS

Input	2.5 Amps
Rating	120V, 60Hz, AC
Oscillation Rate	11000-19000/min
Oscillation Angle	±1.4 degrees
Tool Weight	3.5 lbs.

**⚠ WARNING:** The safe use of this product requires an understanding of the information on the tool and in this operator's manual as well as knowledge of the project you are attempting. Before use of this product, familiarize yourself with all operating features and safety rules.

## QUICK-RELEASE LEVER

The quick-release lever allows for tool-less exchange of application tools.

## VARIABLE-SPEED ADJUSTMENT DIAL

The variable-speed dial is located on the back of your tool for selecting the appropriate speed.

## LED WORKLIGHT

The LED worklight is located in the front of the tool. This feature provides extra light for increased visibility.

## LIVE TOOL INDICATOR LIGHT

The light shines green when tool is plugged into a power source.

## ASSEMBLY

**⚠ WARNING:** If any parts are broken or missing, do not attempt to plug the multi-tool to a power source or operate the multi-tool until the broken or missing parts are replaced. Failure to do so could result in serious injury.

**⚠ WARNING:** Do not attempt to modify this tool or create accessories not recommended for use with this multi-tool. Any such alteration or modification is misuse and could result in a hazardous condition leading to serious injury.

**⚠ WARNING:** To prevent accidental starting that could cause serious personal injury, always unplug the tool from the power source when assembling parts.

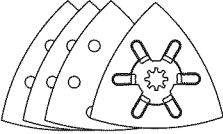
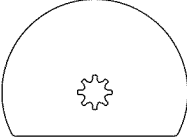
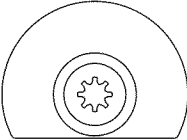
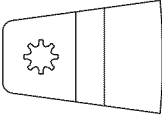
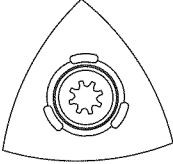
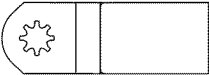
## UNPACKING

- Carefully remove the tool and any accessories from the carton. Make sure that all items listed in the packing list are included.
- Inspect the tool carefully to make sure no breakage or damage occurred during shipping.
- Do not discard the packing material until you have carefully inspected and satisfactorily operated the tool.
- If any parts are damaged or missing, please return the product to the place of purchase.

## PACKING LIST

Multi-tool, flush cut blade, scraper blade, carbide triangular rasp, carbide circular blade, circular saw blade, sanding plate and sandpapers, carrying bag and operator's manual.

## SELECTING THE APPLICATION TOOL

APPLICATION TOOL		MATERIALS
	<p>Sanding Plate and Sandpaper</p>	<p>Bare or Painted Wood, Plaster, other surfaces, depending on sandpaper grit</p>
	<p>Circular Saw Blade</p>	<p>Wood, Plastic, Drywall, Non-Ferrous Metals, Thin Sheet Metal and other materials</p>
	<p>Carbide Circular Blade</p>	<p>Grout, Plaster, Porous Concrete and Masonry</p>
	<p>Scraper Blade</p>	<p>Paint &amp; Varnish, Bonded Carpet, Soft Adhesives, Vinyl Flooring, wood and other Floor Coverings.</p>
	<p>Carbide Triangular Rasp</p>	<p>Hardened Adhesives, Thinset, Wood and Masonry</p>
	<p>Flush Cut Blade</p>	<p>Wood, Plastic, Drywall, Soft Metals and other materials</p>

## OPERATION

### ON/OFF SWITCH (Fig. 2)

1. Connect the power cord of your multi-tool to a standard household power outlet.
2. To turn the tool ON, push the on/off switch forward.
3. To turn the tool OFF, pull the on/off switch backward.

### VARIABLE-SPEED DIAL (Fig. 3)

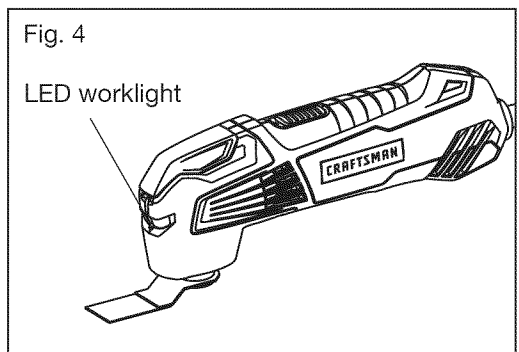
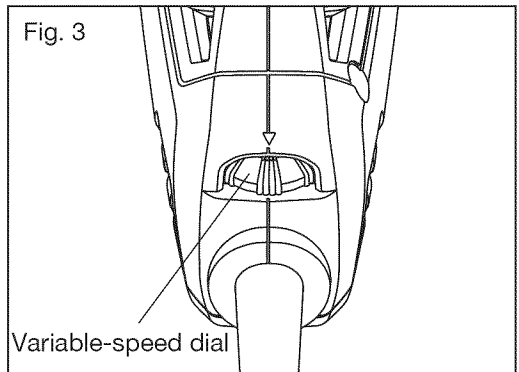
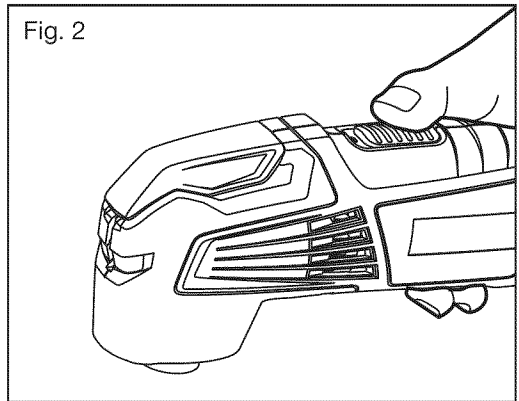
The variable-speed feature on this multi-tool allows you to match the proper speed to the material being cut, sawed, scraped or sanded, enhancing the overall performance of your tool and helping to save the application tool from undue wear.

1. The variable-speed dial is used to adjust the speed of the application tool.
2. Turn the dial to increase or decrease the speed of the tool (Fig. 3).
3. Position "1" selects the slowest speed; position "6" selects the fastest speed. Adjust the application tool speed for optimum performance.

**NOTICE:** Determine the optimum speed by making a trial cut in a scrap piece of material.

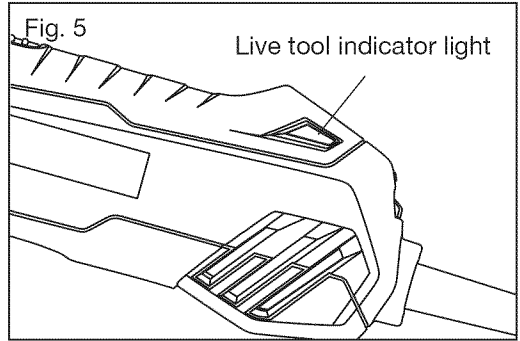
### LED WORKLIGHT (Fig. 4)

The LED worklight, located on the front of the tool, will illuminate when the on/off switch is in the forward (ON) position, and will turn off when the switch is pulled backwards (OFF). The worklight provides additional light for operation in lower-light conditions.



## LIVE TOOL INDICATOR LIGHT (Fig. 5)

The live tool indicator light is a green light located on the back of the tool. This light is always on when the multi-tool is plugged into a power source.



## APPLICATION TOOLS

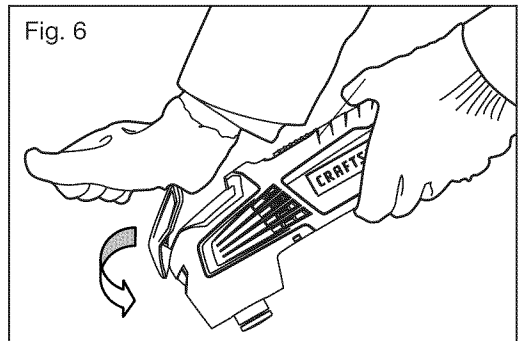
### ATTACHING THE APPLICATION TOOLS (Figs. 6, 7, 8, 9 and 10)

**⚠ WARNING:** Failure to unplug the tool from the power source when assembling parts, making adjustments, or changing application tools could result in accidental starting and cause serious injury.

**⚠ CAUTION:** For all work or when changing application tools, always wear protective gloves. The sharp edges of the application tools will cause personal injury. Application tools can become very hot during use.

**⚠ WARNING:** Check that the application tools are correctly attached. Incorrect or insecurely fastened application tools can come loose during operation and cause a hazard.

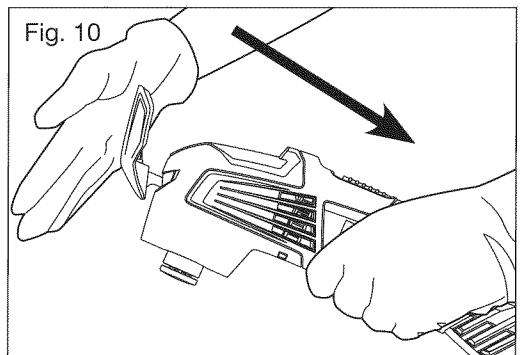
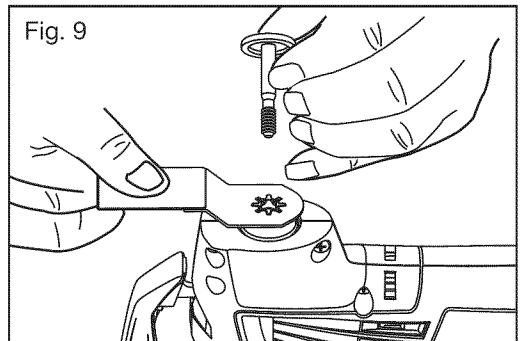
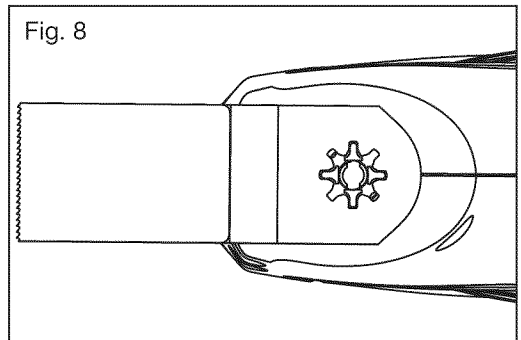
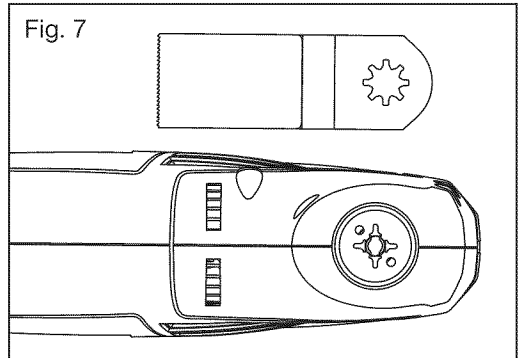
1. Disconnect the multi-tool from the power source.
2. Push the quick-release lever fully open with your palm to loosen the flange bolt (Fig. 6). Remove the flange bolt.
3. Ensure that the inner threads and the drive shaft are clean.



4. Align the grooves on the application tool with the four raised ribs on the drive shaft. Put the application tool onto the drive shaft (Figs. 7 and 8).
5. With your gloved hand holding the application tool, insert and depress the flange bolt until you hear a click indicating that the application tool is secured (Fig. 9).
6. Push the quick-release lever with your palm to lock the driver shaft (Fig. 10).

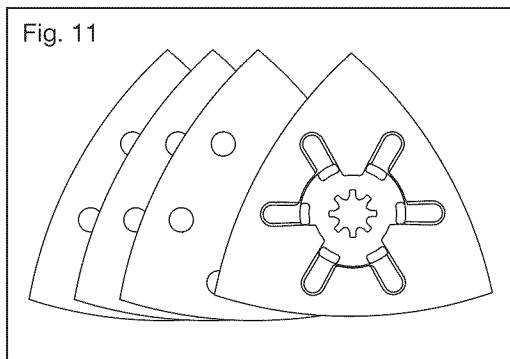
**NOTICE:** Attach the application tool in the desired orientation for the task at hand. The shaft is configured so that the application tool can be attached at 0°, 45°, 90°, 270° and 315°. The flush cut blade, the scraper blade, the carbide circular blade and the circular saw blade should never be attached so that they are facing backwards.

**⚠ WARNING:** Do not attach the flush cut blade, the scraper blade, carbide circular blade or circular saw blade facing backwards, as operation in this position may cause serious injury.



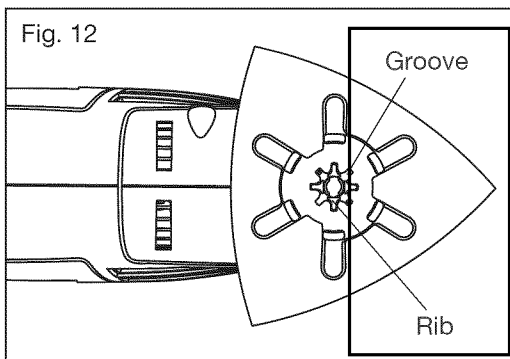
## SANDPAPER KIT DESCRIPTION (Fig. 11)

- 9 pieces sandpaper: 3 each of 60, 120, and 180 grit.
- Always apply to the compatible sanding plate (supplied with your multi-tool).
- The sandpaper kit is also compatible with the Bosch PMF180E, GOP 10.8V Li and Craftsman Nextec Multi-tool.



## TO INSTALL THE SANDING PLATE

1. Disconnect the multi-tool from the power source.
2. Push the quick-release lever fully open with your palm to loosen the flange bolt (Fig. 6). Remove the flange bolt.
3. Ensure that the inner threads and the drive shaft are clean.
4. Align the grooves on the sanding plate with the four raised ribs on the drive shaft; put the sanding plate onto the drive shaft (Fig. 12).
5. With your gloved hand holding the sanding plate, insert and depress the flange bolt until you hear a click indicating that the scraper blade is secured.
6. Push the quick-release lever with your palm to lock the driver shaft (Fig. 10).

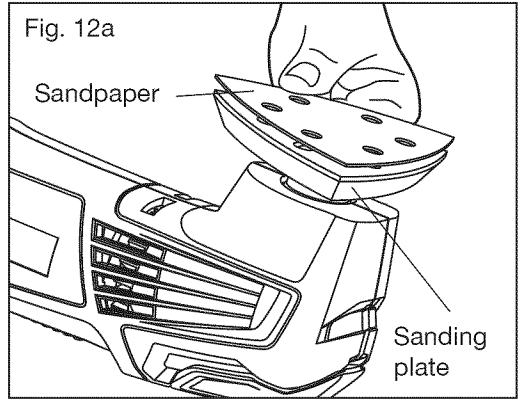


**NOTICE:** The ribs on the shaft and the grooves in the application tools permit a firm connection of the application tools in increments of 45° around the shaft. Apply the application tool in the orientation appropriate to the task at hand.

## TO INSTALL THE SANDPAPER (Fig. 12a)

**⚠ WARNING:** Check that the sanding plate and sandpaper are correctly attached. An incorrect or insecurely fastened application tool can come loose during operation and cause a hazard.

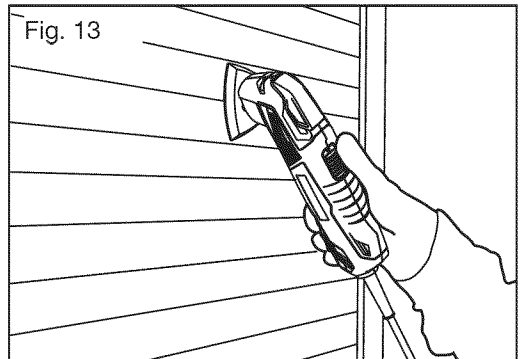
1. Follow the directions for attaching the application tool to attach the sanding plate to the multi-tool.
2. Align the sandpaper with the sanding plate and use your hand to press it firmly onto the sanding plate.
3. Press the sandpaper firmly against a smooth surface for a short period of time, then turn on the tool. The burr will form a non-slip bond with the outer edge of the sandpaper felt. This will avoid premature wear.
4. If one point has become worn, pull off the sandpaper, turn it 120° and place it on the sanding plate again.



## SANDING (Fig. 13)

**⚠ WARNING:** Do not touch the motor housing after prolonged use; it could be very hot.

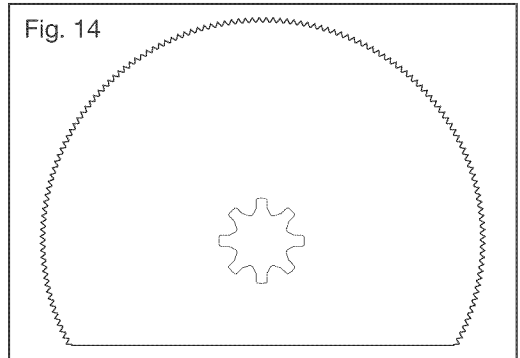
- The removal rate and the sanding pattern are determined by the choice of sanding sheet and the work surface.
- Apply uniform sanding pressure to extend the life of the sanding sheets.
- Intensifying the sanding pressure does not lead to an increase of the sanding capacity; it increases wear on the machine and the sanding sheet.
- For precise sanding of edges, corners and hard to reach areas, use only the tip or an edge of the sanding sheet.
- When selectively sanding on one spot, the sanding sheet can heat up considerably. Remove the tool from the surface periodically to permit the sanding sheet to cool down.
- A sanding sheet that has been used for metal should not be used for other materials.
- Use only Craftsman sanding accessories.





## CIRCULAR SAW BLADE DESCRIPTION (Fig. 14)

- High-speed steel circular cutting blade.
- Designed for cutting wood, plastic, drywall, non-ferrous metals, thin sheet metal and other materials.
- The circular saw blade is also compatible with the Fein Multi-Master tool and Craftsman Nextec Multi-tool.



## TO INSTALL THE CIRCULAR SAW BLADE

**CAUTION:** Wear protective gloves.

**WARNING:** Use sharp, undamaged saw blades only. Deformed or blunt saw blades or saw blades that are otherwise damaged can break.

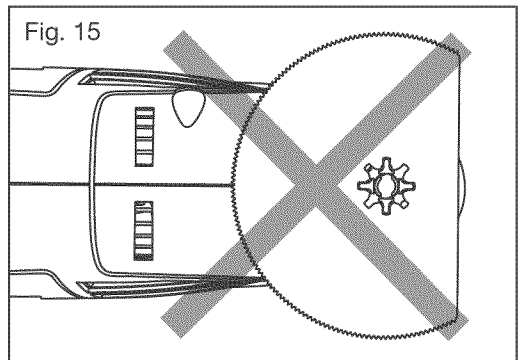
**WARNING:** When sawing light building materials, observe the precautions and the recommendations of the material suppliers.

**WARNING:** Plunge cuts may only be applied to soft materials, such as wood, gypsum plaster boards, etc.

**WARNING:** The sawing teeth are very sharp. Do not touch during mounting and application.

**WARNING:** Do not attach the circular cutting blade facing backwards (fig 15). Backwards attachment may result in user injury.

1. Disconnect the multi-tool from the power source.



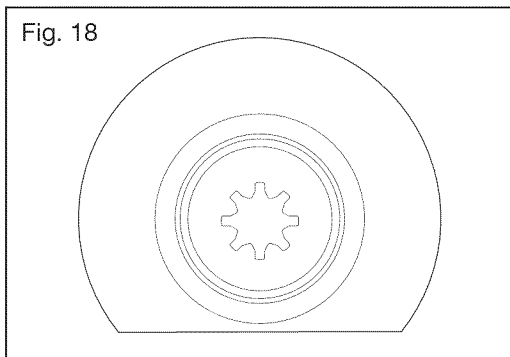
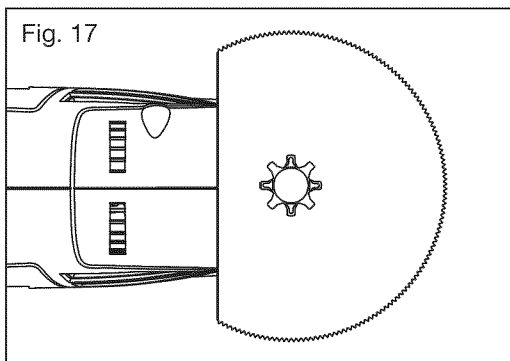
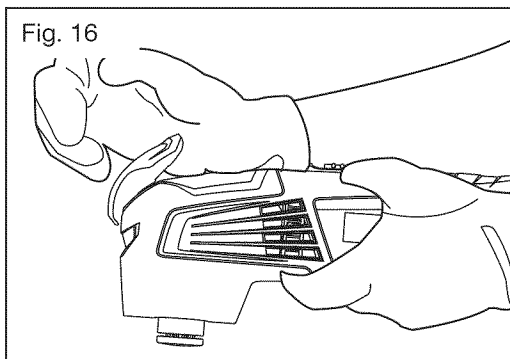
2. Push the quick-release lever fully open with your palm to loosen the flange bolt (Fig. 16). Remove the flange bolt.
3. Ensure that the inner threads and the drive shaft are clean.
4. Align the grooves on the circular cutting blade with the four raised ribs on the drive shaft; put the blade onto the drive shaft (Fig. 17).
5. With your gloved hand holding the blade, insert and depress the flange bolt until you hear a click indicating that the blade is secured.
6. Press the quick-release lever with your palm to lock the drive shaft (Fig. 10).

**⚠ WARNING:** Do not attach the circular saw blade facing backwards, as operation in this position may cause serious injury.

### **CARBIDE CIRCULAR BLADE DESCRIPTION (Fig. 18)**

The carbide circular blade is designed to cut out the grout around wall tiles. It can also be used to cut plaster, porous concrete and masonry.

- Carbide-tipped, circular grout disc.
- Designed for grout, plaster, masonry or porous concrete removal around the wall tiles.
- The carbide circular blade is compatible with Fein Multi-Master Tool and Craftsman Nextec Multi-tool.



## TO INSTALL THE CARBIDE CIRCULAR BLADE

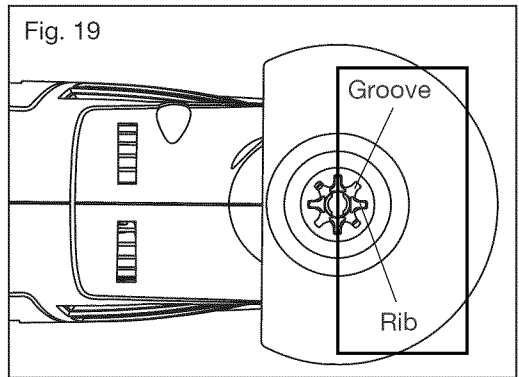
**⚠ WARNING:** Use sharp, undamaged saw blades only. Deformed, blunt saw blades or saw blades that are otherwise damaged can break.

**⚠ WARNING:** When sawing light building materials, observe the precautions and the recommendations of the material suppliers.

**⚠ WARNING:** Plunge cuts may only be applied to soft materials, such as wood, gypsum plaster boards, etc.

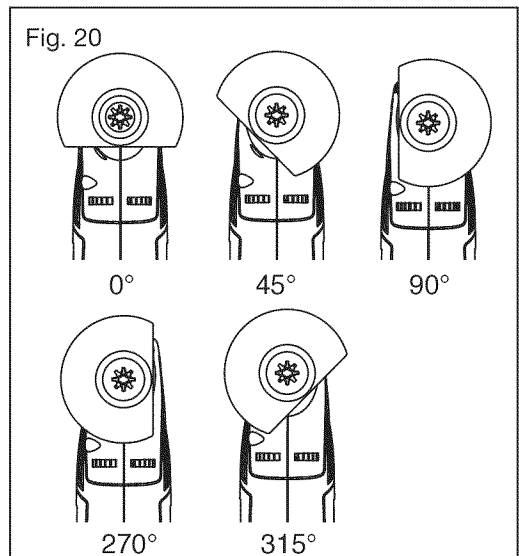
**⚠ CAUTION:** Wear protective gloves.

1. Disconnect the multi-tool from the power source.
2. Push the quick-release lever fully open with your palm to loosen the flange bolt (Fig. 6). Remove the flange bolt.
3. Ensure that the inner threads and the drive shaft are clean.
4. Align the grooves on the carbide circular blade with the four raised ribs on the drive shaft; put the application tool onto the drive shaft (Fig. 19).
5. With your gloved hand holding the blade, insert and depress the flange bolt until you hear a click indicating that the carbide circular blade is secured.
6. Push the quick-release lever with your palm to lock the driver shaft (Fig. 10).



**⚠ WARNING:** Do not attach the carbide circular blade facing backwards, as operation in this position may cause serious injury.

**NOTICE:** The ribs on the shaft and the grooves in the application tools permit a firm connection of the application tools in increments of 45° around the shaft, at 0°, 45°, 90°, 270° and 315° (Fig. 20). Apply the application tool in the orientation appropriate to the task at hand.



## CUTTING GROUT WITH THE CARBIDE CIRCULAR BLADE (Fig. 21)

1. Connect the multi-tool to a power source.
2. Draw the cutting lines on the workpiece, if desired.
3. Turn on the tool and allow it to come to the full desired speed.
4. Place the carbide circular blade against the workpiece at a 90° angle.
5. Cut out the grout around the tile, then use a hand chisel to remove the tile from the wall.

**NOTICE:** When cutting grout, masonry and porous cement, take into consideration that the application tools wear heavily when used for longer periods of time.

## SCRAPER BLADE DESCRIPTION (Fig. 22)

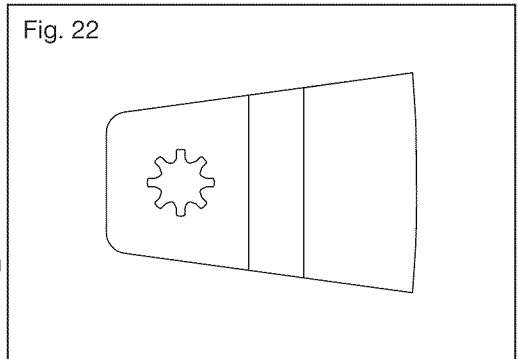
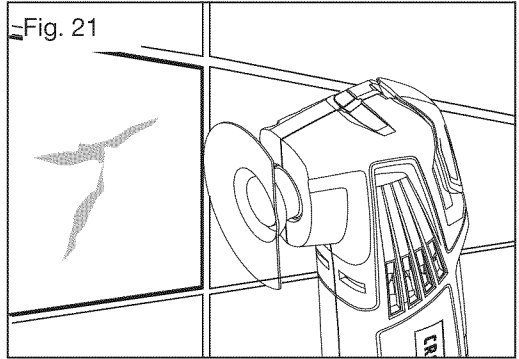
- Steel scraping blade designed for paint & varnish, bonded carpet, soft adhesives, vinyl flooring, wood and other floor coverings.
- The scraper blade is also compatible with the Fein Multi-Master Tool and Craftsman Nextec Multi-tool.

## TO INSTALL THE SCRAPER BLADE

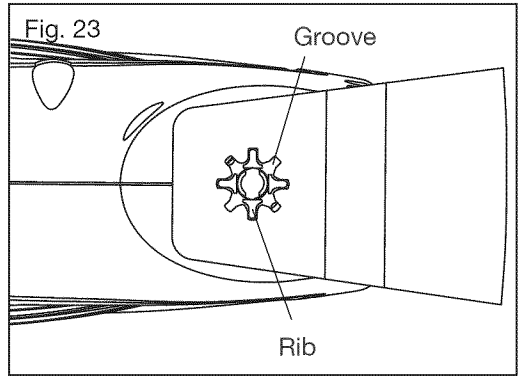
**⚠ CAUTION:** Wear protective gloves.

**⚠ WARNING:** Check that the application tool is correctly attached. Incorrect or insecurely fastened application tool can come loose during operation and cause a hazard.

1. Disconnect the multi-tool from the power source.
2. Push the quick-release lever fully open with your palm to loosen the flange bolt (Fig. 6). Remove the flange bolt.
3. Ensure that the inner threads and the drive shaft are clean.

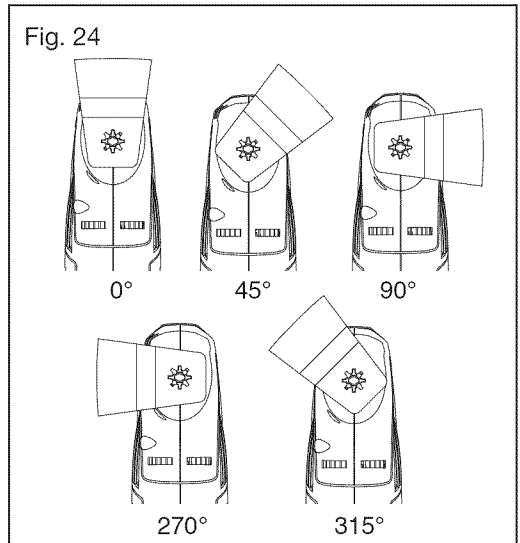


- Align the grooves on the scraper blade with the four raised ribs on the drive shaft; put the scraper onto the drive shaft (Fig. 23).
- With your gloved hand holding the blade, insert and depress the flange bolt until you hear a click indicating that the scraper blade is secured.
- Push the quick-release lever with your palm to lock the driver shaft (Fig. 10).



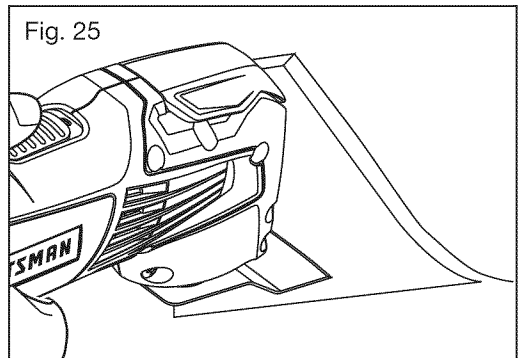
**⚠ WARNING:** Do not attach the scraper blade facing backwards, as operation in this position may cause serious injury.

**NOTICE:** The ribs on the shaft and the grooves in the application tools permit a firm connection of the application tools in increments of 45° around the shaft, at 0°, 45°, 90°, 270°, 315° (Fig. 24). Apply the application tool in the orientation appropriate to the task at hand.



### USING THE SCRAPER BLADE (Fig. 25)

- Connect the multi-tool to a power source.
- Turn on the tool and allow it to come to the full desired speed.
- To scrape, put the tool on the workpiece at a flat angle (not more than 20°), and apply only light pressure so as to not cut into the surface.
- To cut and remove carpet, first place the scraper blade vertically on the carpet, switch the tool on, and cut through the carpet to the floor. Then place the blade flat between the carpet and the floor to remove the adhesive and free the carpet from the floor.



## CARBIDE TRIANGULAR RASP DESCRIPTION (Fig. 26)

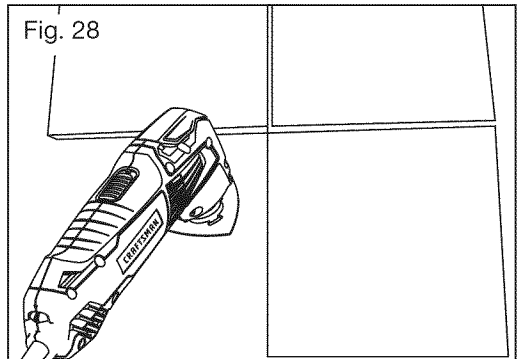
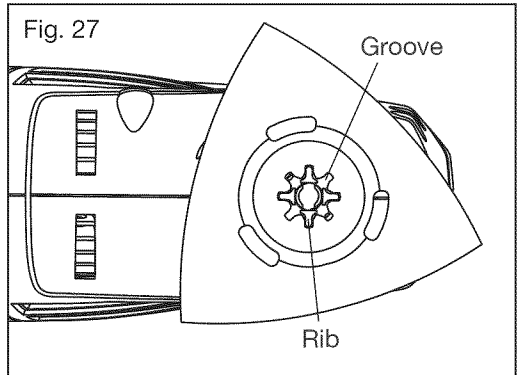
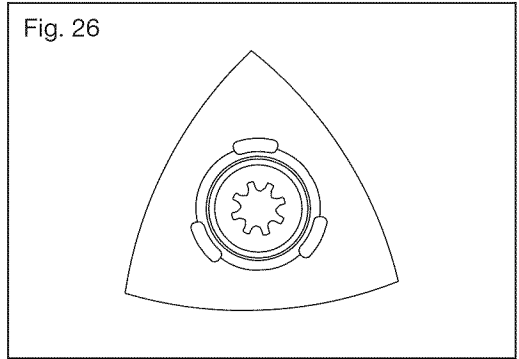
- Carbide tipped triangular grout rasp.
- Designed for grout, masonry, thinset, wood and removal of hardened adhesives on the wall tiles.
- The triangular rasp is also compatible with the Fein Multi-Master Tool and Craftsman Nextec Multi-tool.

## TO INSTALL THE CARBIDE TRIANGULAR RASP

**⚠ CAUTION:** Wear protective gloves.

1. Disconnect the multi-tool from the power source.
2. Push the quick-release lever fully open with your palm to loosen the flange bolt (Fig. 6). Remove the flange bolt.
3. Ensure that the inner threads and the drive shaft are clean.
4. Align the grooves on the carbide triangular rasp with the four raised ribs on the drive shaft; put the rasp onto the drive shaft (Fig. 28).
5. With your gloved hand holding the triangular rasp, insert and depress the flange bolt until you hear a click indicating that the scraper blade is secured.
6. Push the quick-release lever with your palm to lock the driver shaft (Fig. 10).

**NOTICE:** The ribs on the shaft and the grooves in the application tools permit a firm connection of the application tools in increments of 45° around the shaft (from 0° to 315°). Apply the application tool in the orientation appropriate to the task at hand.



## USING THE CARBIDE TRIANGULAR RASP (Fig. 29)

1. Connect the multi-tool to a power source.
2. Draw the cutting lines on the workpiece.
3. Turn on the tool and allow it to come to the full desired speed.
4. Put the rasp flat against the workpiece and apply appropriate pressure.
5. Remove any hardened adhesive or grout on the surface of the wall tiles.

## FLUSH CUT BLADE DESCRIPTION (Fig. 30)

- Bi-metal, straight-edge, flush-cut blade.
- Designed for cutting wood, plastic, drywall, soft metal and other materials.
- Can plunge and saw with a slight pendulum action in wood.
- The flush cut blade is also compatible with the Fein Multi-Master Tool and Craftsman Nextec Multi-tool.

## TO INSTALL THE FLUSH CUT BLADE

**CAUTION:** Wear protective gloves.

1. Disconnect the multi-tool from the power source.
2. Push the quick-release lever fully open with your palm to loosen the flange bolt (Fig. 6). Remove the flange bolt.
3. Ensure that the inner threads and the drive shaft are clean.
4. Align the grooves on the flush-cut blade with the four raised ribs on the drive shaft; put the flush-cut blade onto the drive shaft (Fig.31).

Fig. 29

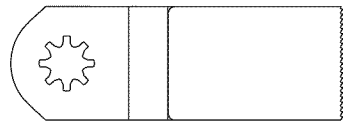


Fig. 30

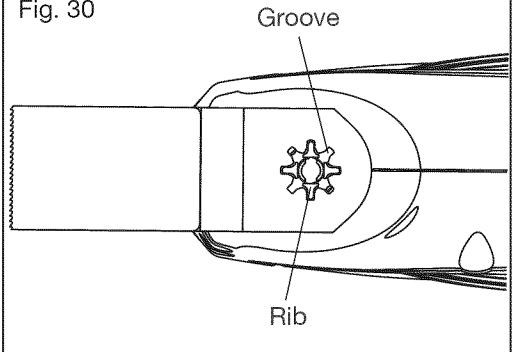
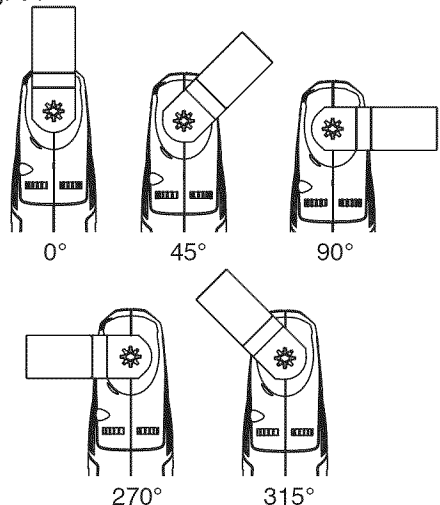


Fig. 31



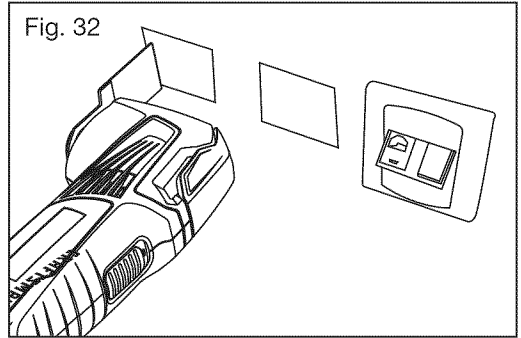
5. With your gloved hand holding the blade, insert and depress the flange bolt until you hear a click indicating that the flush-cut blade is secured.
6. Push the quick-release lever with your palm to lock the driver shaft (Fig. 10).

**▲ WARNING:** Do not attach the flush cut blade, facing backwards, as operation in this position may cause serious injury.

**NOTICE:** The ribs on the shaft and the grooves in the application tools permit a firm connection of the application tools in increments of 45° around the shaft, at 0°, 45°, 90°, 270° and 315° (Fig. 31). Apply the application tool in the orientation appropriate to the task at hand.

### USING THE FLUSH CUT BLADE (Fig. 32)

1. Connect the multi-tool to a power source.
2. Clamp the workpiece securely.
3. Draw the cutting lines on the workpiece.
4. Turn on the tool and allow it to come to the full desired speed.
5. Cut the workpiece along the line and apply with appropriate pressure until the blade cuts to the depth needed according to the scale on the blade.





## ACCESSORIES

**NOTICE:** The multi-tool can be used with the Craftsman accessories below (sold separately):

MODEL	DESCRIPTION
67650	Carbide Circular Blade
67651	Circular Saw Blade
67652	Scraper Blade
67653	Flush Cut Saw Blade
67654	Carbide Triangular Rasp
67655	Sandpaper Kit (60, 120, 180 grit)
17374	Sandpaper Kit (220, 280, 320 grit)
17375	Detail Saw Blade
17376	Rough Cut Saw Blade
30858	Caulk Removal blade
30753	Sanding Pad
3102	Felt Polishing Pad
31022	Detail Sanding Blade
31023	Detail Sandpaper
2549	3/4-in. Detail Straight Edge Saw Blade
25494	Enlongated Straight Blade

## MAINTENANCE

**⚠ WARNING:** Avoid using solvents when cleaning plastic parts. Most plastics are susceptible to damage from various types of commercial solvents and may be damaged by their use. Use clean cloths to remove dirt, dust, oil, grease, etc.

**⚠ WARNING:** Do not at any time allow brake fluids, gasoline, petroleum-based products, penetrating oils, etc. to come in contact with plastic parts. Chemicals can damage, weaken or destroy plastic which may result in serious personal injury.

**⚠ WARNING:** When servicing, use only identical replacement parts. Use of any other parts may create a hazard or cause product damage. To ensure safety and reliability, all repairs should be performed by a qualified service technician.

### MULTI-TOOL MAINTENANCE

Periodic maintenance of your multi-tool allows for long life and trouble-free operation. A cleaning and maintenance schedule should be maintained.

As a common-sense and preventive maintenance practice, follow these recommended steps:

- Inspect the application tools; check the rim for wear or damage.
- Keep the ventilation slots of the motor clean to prevent overheating of the motor.
- Use a soft clean and damp cloth to wipe the tool housing. A mild detergent can be used but nothing like alcohol, petrol or other cleaning agent. Never use caustic agents to clean plastic parts.

**⚠ WARNING:** When changing an application tool immediately after operation, allow the application tool to cool before removing it to avoid possible burning.

**⚠ WARNING:** Keep the tool's air vents unclogged and clean at all times.

**⚠ WARNING:** Water must never come into the tool.

### LUBRICATION

All of the bearings in this tool are lubricated with a sufficient amount of high-grade lubricant for the life of the tool under normal operating conditions. Therefore, no further lubrication is required.

## TROUBLESHOOTING

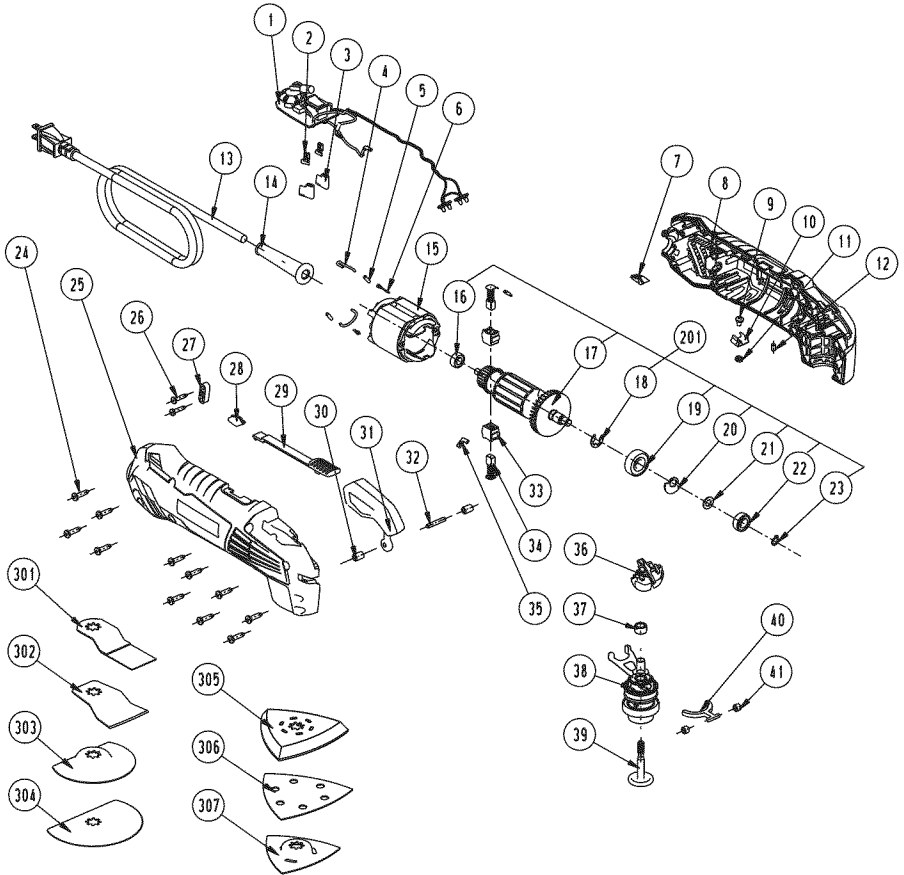
PROBLEM	CAUSE	SOLUTION
Motor overheating	Be sure cooling vents are free from dust and obstacles.	Clean, clear vents. Do not cover with hand during operation.

## PART LIST

### 2.5A VARIABLE-SPEED MULTI-TOOL MODEL NUMBER 320.35078

The Model Number will be found on the Nameplate. Always mention the Model Number when ordering parts for this tool.

To order parts, call 1-800-469-4663.



## PART LIST

### 2.5A VARIABLE-SPEED MULTI-TOOL MODEL NUMBER 320.35078

The Model Number will be found on the Nameplate. Always mention the Model Number when ordering parts for this tool.

To order parts, call 1-800-469-4663.

No	Part No	Part Name	QTY
1	4890939000	PCB Assembly	1
2	4930038000	Receptacle	2
3	4930008000	Sleeve	2
4	4860006000	Inner Wire	2
5	4920154000	Shrinkable Tube	2
6	4930385000	Terminal	2
7	3126799000	Left Indicator Cover	1
8	3321486000	Left Housing	1
9	5620037000	Screw	1
10	3705120000	Spring Stop	1
11	5630001000	Hexagon Nut	1
12	3121038000	Rubber Stick	1
13	4810002000	Power Cord & Plug	1
14	3121045000	Cord Guard	1
15	2740305000	Stator	1
201	2823372000	Motor Assembly	1
16	5700199000	Ball Bearing	1
17	2750937000	Rotor	1
18	5660028000	E Ring	1
19	5700048000	Ball Bearing	1
20	3704682000	Counterweight	1
21	3700352000	Washer	1
22	5700205000	Ball Bearing	1
23	5660144000	Circlips For Shaft	1
24	5610040000	Tapping Screw	11

No	Part No	Part Name	QTY
25	3321487000	Right Housing	1
26	5610024000	Tapping Screw	2
27	3120234000	Cord Anchorage	1
28	3126800000	Right Indicator Cover	1
29	3126796000	Switch Actuator	1
30	3551798000	Bush	2
31	3402598000	Lever	1
32	5670317000	Pin	1
33	2800176000	Brush Holder	2
34	4960273000	Carbon Brush	2
35	4930036000	Receptacle	2
36	3126797000	LED Cover	1
37	5700040000	Oil Impreging Bearing	1
38	2823250000	Quick Clamp Assembly	1
39	3551760000	Lock Pole	1
40	3520628000	Lever	1
41	3550031000	Washer	2
301	3810537000	Wood & Metal Plunge Cut Blade	1
302	3810540000	Scraper Blade	1
303	3810562000	Carbide Grout Removal Blade	1
304	3810563000	Flush Cut Blade (HSS)	1
305	3321331000	Base Plate Set	1
306	2820442000	Sanding Paper	9
307	3810542000	Rasper	1

## NOTES

## NOTES