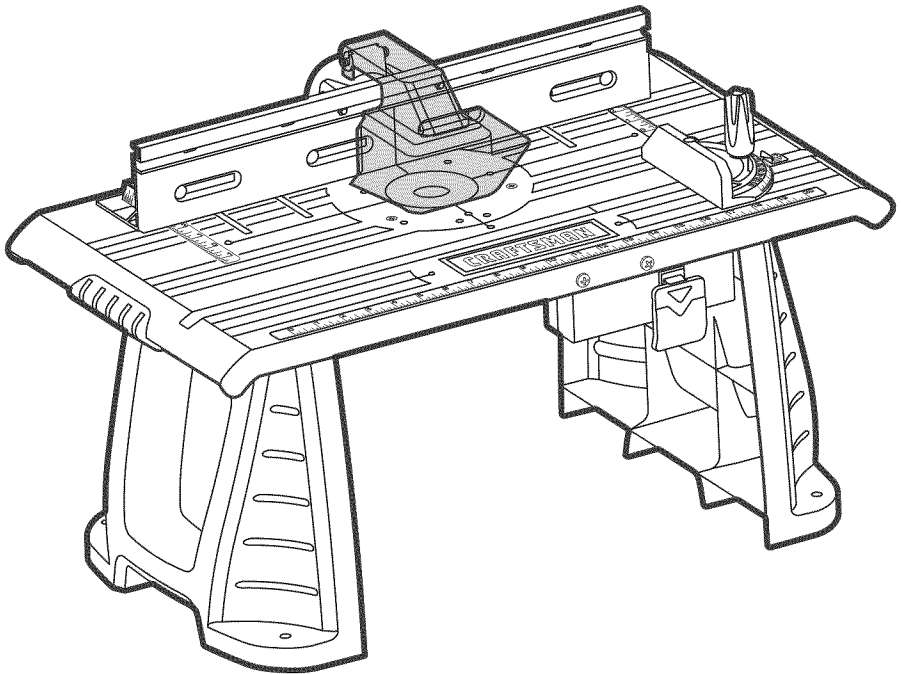


Operator's Manual

CRAFTSMAN®

Die Cast Aluminum Router Table

Model No. 320.37596



▲ WARNING: To reduce the risk of injury, the user must read and understand the Operator's Manual before using this product.

- WARRANTY
- SAFETY
- ASSEMBLY
- OPERATION
- MAINTENANCE

Sears Brands Management Corporation, Hoffman Estates, IL 60179 U.S.A.

www.craftsman.com

TABLE OF CONTENTS

Warranty	Page 2
Safety Symbols	Pages 4-5
Safety Instructions	Pages 6-9
Description	Pages 10-11
Unpacking	Pages 12-13
Assembly	Pages 14-19
Operation	Pages 20-24
Maintenance	Page 25
Troubleshooting	Page 25
Parts List	Pages 26-28

CRAFTSMAN ONE YEAR LIMITED WARRANTY

FOR ONE YEAR from the date of purchase, this product is warranted against any defects in material or workmanship. With proof of purchase, defective product will be replaced free of charge.

For warranty coverage details to obtain free replacement, visit the web site: www.craftsman.com

This warranty is void if this product is ever used while providing commercial services or if rented to another person.

This warranty gives you specific legal rights, and you may also have other rights which vary from state to state.

Sears Brands Management Corporation, Hoffman Estates, IL 60179

This router table has many features for making its use more pleasant and enjoyable. Safety, performance, and dependability have been given top priority in the design of this product making it easy to maintain and operate.

SAVE THESE INSTRUCTIONS!

READ ALL INSTRUCTIONS!

⚠ DANGER: People with electronic devices, such as pacemakers, should consult their physician(s) before using this product. Operation of electrical equipment in close proximity to a heart pacemaker could cause interference or failure of the pacemaker.

⚠ WARNING: Some dust created by power sanding, sawing, grinding, drilling and other construction activities contains chemicals known to the State of California to cause cancer, birth defects or other reproductive harm. Some examples of these chemicals are:

- Lead from lead-based paints,
- Crystalline silica from bricks and cement and other masonry products, and
- Arsenic and chromium from chemically-treated lumber.

Your risk from these exposures varies, depending on how often you do this type of work. To reduce your exposure to these chemical: work in a well ventilated area, and work with approved safety equipment, such as dust masks that are specially designed to filter out microscopic particles.

SAFETY SYMBOLS

The purpose of safety symbols is to attract your attention to possible dangers. The safety symbols and the explanations with them deserve your careful attention and understanding. The symbol warnings do not, by themselves, eliminate any danger. The instructions and warnings they give are no substitutes for proper accident prevention measures.

⚠ WARNING: Be sure to read and understand all safety instructions in this Operator's Manual, including all safety alert symbols such as "**DANGER**," "**WARNING**," and "**CAUTION**" before using this tool. Failure to following all instructions listed below may result in electric shock, fire, and/or serious personal injury.

SYMBOL MEANING

SAFETY ALERT SYMBOL: Indicates **DANGER**, **WARNING**, or **CAUTION**. May be used in conjunction with other symbols or pictographs.

⚠ DANGER: Indicates an imminently hazardous situation, which, if not avoided, will result in death or serious injury.

⚠ WARNING: Indicates a potentially hazardous situation, which, if not avoided, could result in death or serious injury.

⚠ CAUTION: Indicates a potentially hazardous situation, which, if not avoided, could result in minor or moderate injury.

Damage Prevention and Information Messages

These inform the user of important information and/or instructions that could lead to equipment or other property damage if they are not followed. Each message is preceded by the word "NOTICE," as in the example below:

NOTICE: Equipment and/or property damage may result if these instructions are not followed.

⚠ WARNING: To ensure safety and reliability, all repairs should be performed by a qualified service technician.



⚠ WARNING: The operation of any power tools can result in foreign objects being thrown into your eyes, which can result in severe eye damage. Before beginning power tool operation, always wear safety goggles or safety glasses with side shields and a full face shield when needed. We recommend a Wide Vision Safety Mask for use over eyeglasses or standard safety glasses with side shields. Always use eye protection which is marked to comply with ANSI Z87.1.

SAVE THESE INSTRUCTIONS

Some of the following symbols may be used on this tool. Please study them and learn their meaning. Proper interpretation of these symbols will allow you to operate the tool better and more safely.

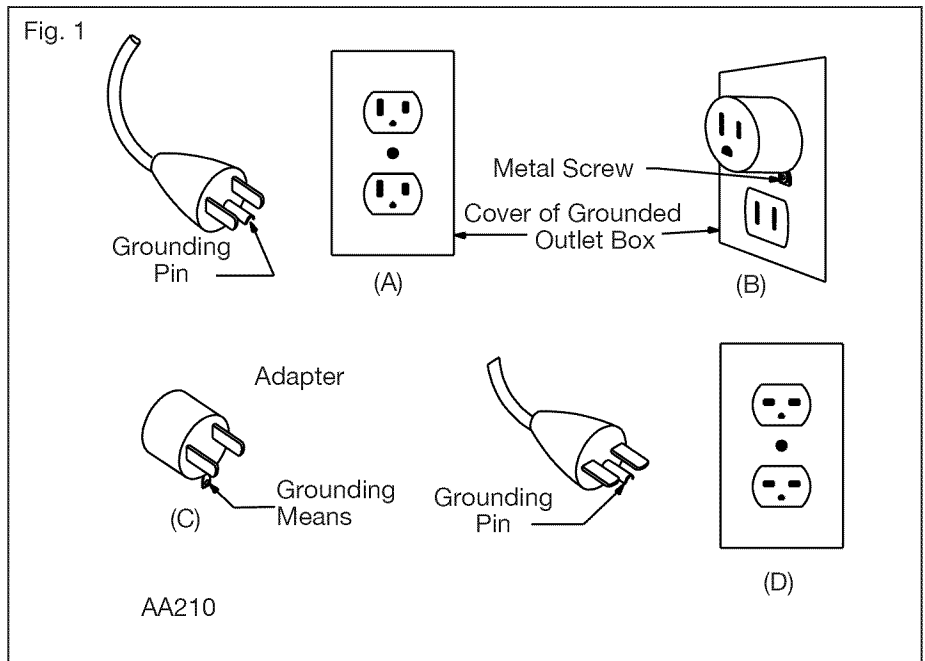
SYMBOL	NAME	DESIGNATION/EXPLANATION
V	Volts	Voltage
A	Amperes	Current
Hz	Hertz	Frequency (cycles per second)
W	Watt	Power
min	Minutes	Time
	Alternating Current	Type of current
	Direct Current	Type or a characteristic of current
n_0	No Load Speed	Rotational speed, at no load
	Class II Construction	Double-insulated construction
.../min	Per Minute	Revolutions, strokes, surface speed, orbits, etc., per minute
	Wet Conditions Alert	Do not expose to rain or use in damp locations.
	Read The Operator's Manual	To reduce the risk of injury, user must read and understand operator's manual before using this product.
	Eye Protection	Always wear safety goggles or safety glasses with side shields and a full face shield when operating this product.
	Safety Alert	Precautions that involve your safety.
	No-Hands Symbol	Failure to keep your hands away from the blade will result in serious personal injury.
	No-Hands Symbol	Failure to keep your hands away from the blade will result in serious personal injury.
	No-Hands Symbol	Failure to keep your hands away from the blade will result in serious personal injury.
	No-Hands Symbol	Failure to keep your hands away from the blade will result in serious personal injury.
	Hot Surface	To reduce the risk of injury or damage, avoid contact with any hot surface.

SAFETY INSTRUCTIONS

GROUNDING INSTRUCTIONS

- **In the event of a malfunction or breakdown, grounding provides a path of least resistance for electric current to reduce the risk of electric shock.** This tool is equipped with an electric cord having an equipment-grounding conductor and a grounding plug. The plug must be plugged into a matching outlet that is properly installed and grounded in accordance with all local codes and ordinances.
- **Do not modify the plug provided – if it will not fit the outlet, have the proper outlet installed by a qualified electrician.**
- **Improper connection of the equipment-grounding conductor can result in a risk of electric shock.** The conductor with insulation having an outer surface that is green with or without yellow stripes is the equipment-grounding conductor. If repair or replacement of the electric cord or plug is necessary, do not connect the equipment-grounding conductor to a live terminal.
- **Check with a qualified electrician or service personnel if the grounding instructions are not completely understood, or if in doubt as to whether the tool is properly grounded.**
- **Use only 3-wire extension cords that have 3-prong grounding plugs and 3-pole receptacles that accept the tool's plug.**
- **Repair or replace damaged or worn cord immediately.**

This tool is intended for use on a circuit that has an outlet that looks like the one illustrated in Sketch A in Figure 1. The tool has a grounding plug that looks like the plug illustrated in Sketch A in Figure 1. A temporary adapter, which looks like the adapter illustrated in Sketches B and C, may be used to connect this plug to a 2-pole receptacle as shown in Sketch B if a properly grounded outlet is not available. The temporary adapter should be used only until a properly grounded outlet can be installed by a qualified electrician. The green-colored rigid ear, lug, and the like, extending from the adapter must be connected to a permanent ground such as a properly grounded outlet box.



- **Keep guards in place and in working order.**
- **Remove adjusting keys and wrenches.** Form the habit of checking to see that keys and adjusting wrenches are removed from the tool before turning it on.
- **Keep the work area clean. Cluttered areas and benches invite accidents.**
- **Don't use in dangerous environments.** Don't use power tools in damp or wet locations, or expose them to rain. Keep the work area well lighted.
- **Keep children away.** All visitors should be kept safe distance from the work area.
- **Make the workshop child proof** with padlocks, master switches, or by removing starter keys.

- **Don't force the tool.** It will do the job better and more safely at the rate for which it was designed.
- **Use the right tool.** Don't force a tool or attachment to do a job for which it was not designed.
- **Use a proper extension cord.** Make sure your extension cord is in good condition. When using an extension cord, be sure to use one heavy enough to carry the current your product will draw. An undersized cord will cause a drop in line voltage, resulting in loss of power and overheating. Table 1 shows the correct size to use, depending on cord length and nameplate ampere rating. If in doubt, use the next heavier gage. The smaller the gage number, the heavier the cord.

Table 1: Minimum gage for cord

Ampere Rating		Volts	Total length of cord in feet			
			25 ft	50 ft	100 ft	150 ft
More Than	Not More Than	120V	AWG			
12	16		14	12	Not Recommended	

- **Wear proper apparel.** Do not wear loose clothing, gloves, neckties, rings, bracelets, or other jewelry which may get caught in moving parts. Nonslip footwear is recommended. Wear protective hair covering to contain long hair.
- **Always use safety glasses.** Also use a face or dust mask if the cutting operation is dusty. Everyday eyeglasses only have impact resistant lenses; they are NOT safety glasses.
- **Secure your work.** Use clamps or a vise to hold work whenever practical. It's safer than using your hand and it frees both hands to operate the tool.
- **Don't overreach.** Keep proper footing and balance at all times.
- **Maintain tools with care.** Keep tools sharp and clean for best and safest performance. Follow instructions for lubricating and changing accessories.
- **Disconnect tools before servicing and when changing accessories, such as blades, bits, cutters, and the like.**
- **Reduce the risk of unintentional starting.** Make sure that the switch is in the off position before plugging in.
- **Use recommended accessories.** Consult the owner's manual for recommended accessories. The use of improper accessories may cause a risk of injury to persons.
- **Never stand on the tool.** Serious injury could occur if the tool is tipped or if the cutting tool is unintentionally contacted.

- **Check damaged parts.** Before further use of the tool, a guard or other part that is damaged should be carefully checked to determine that it will operate properly and perform its intended function – check for alignment of moving parts, binding of moving parts, breakage of parts, mounting, and any other conditions that may affect its operation. A guard or other part that is damaged should be properly repaired or replaced.
- **Direction of feed:** Feed work into a blade or cutter only against the direction of rotation of the blade or cutter.
- **Never leave a tool running unattended.** TURN THE POWER OFF. Don't leave the tool until it comes to a complete stop.

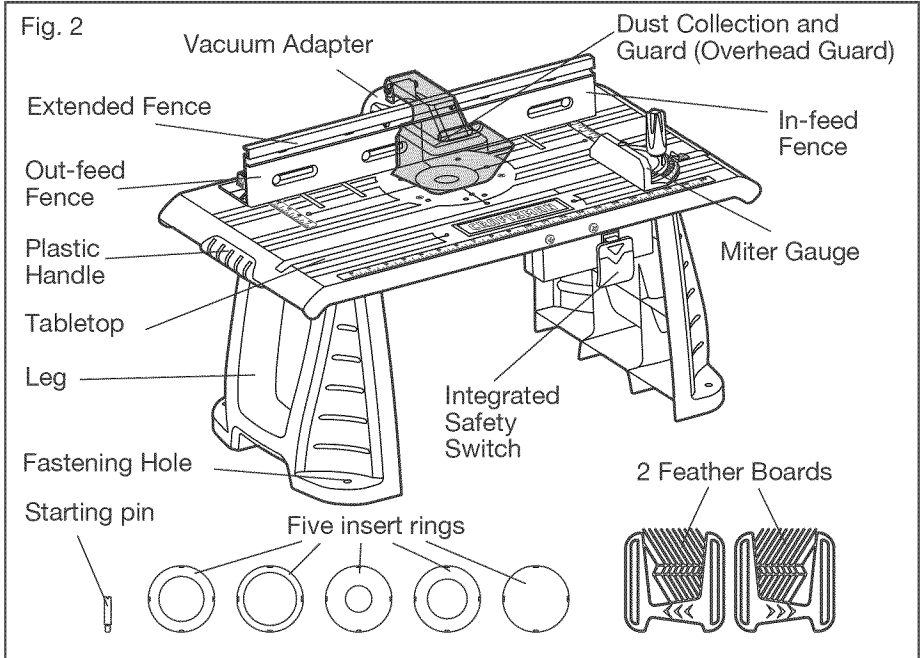
SPECIFIC SAFETY RULES FOR ROUTER TABLES

For Your Own Safety Read Instruction Manual Before Operating Router Table.

- **Wear eye protection.**
- **Feed the workpiece against rotation of cutter.**
- **Do not use awkward hand positions.**
- **Keep fingers away from the revolving cutter – use fixtures when necessary.**
- **Use the overhead guard when the adjustable fence is not in place.**
- **Do not expose the table to rain or use in a damp location.**

DESCRIPTION

KNOW YOUR ROUTER TABLE (Fig. 2)



Your router table has a precision-built electric switch box and it should be connected to only a 120-volt, 60-HZ AC power supply (normal household current). DO NOT operate on direct current (DC). The large voltage drop would cause a loss of power and the motor would overheat. If the router table does not operate when plugged into correct 120-volt, 60-HZ AC ONLY outlet, check the power supply. The router table comes with a 6 ft. power cord (no adapter needed).

PRODUCT SPECIFICATIONS	
Table Size	26 in. x 14-1/8 in.
Extended Fence Overall Length	23-5/8 in.
Switch Rating	120 volts, 60Hz, AC only, 15A
Five Insert Rings Size, inner diameter	1-1/4 in., 1-7/8 in., 2-1/8 in., 2-1/2 in., 1pc blank plate

This Router Table has the following features:

1. Durable cast aluminum tabletop (26 in. x 14-1/8 in.) for a large, smooth and durable work surface. Table height clearance is 12-1/2 in. to accommodate most fixed and plunge-based routers.
2. 3-1/8 in router hole with 5 insert rings (1-1/4 in., 1-7/8 in., 2-1/8 in., 2-1/2 in. openings; 1 blank plate).
3. 2 feather boards push blocks with mounting hardware that can be mounted in slots on the fence and table.
4. Integrated safety switch with two outlets. To ensure safety and reliability, the total current drawn on the two units must be less than 15 Amps.
5. Extended fence provides maximum workpiece support; the fence can be moved forward and backward 3-3/4 in.
6. In-feed and out-feed fences can each be extended 2 in.
7. Out-feed fence can be adjusted as much as 1/2 in. forward of the in-feed fence for joining operations.
8. Vacuum adapter fits a 2-1/4 in. shop vacuum hose (available separately).
9. Miter gauge adjusts from 0° to 60° in both directions for increased stability in many difficult feed situations.
10. Fastening holes (1 1/32 in. dia.) allow the Router Table to be fixed to a stable work surface.
11. Dust collection/guard reduces dust dispersal.
12. Above-the-table height adjustment: This table is provided with an above-the-table adjustment hole to accommodate bit height adjustment on the following Craftsman router models: 17541, 2767, 27666, 2768, 27683, 27669, 27680, 17542, 28190, 28084. The bit height on the installed router can be adjusted by turning the adjustment knob clockwise or counterclockwise with a hex wrench (not included).
13. This router table is suitable for mounting the following Craftsman router models: 17541, 2767, 27666, 2768, 27683, 27669, 27680, 17542, 28190, 28084, 17540, 17543.
14. Two feather boards push blocks with mounting hardware that can be mounted in slots on the fence and table.

UNPACKING

▲ WARNING: If any parts are broken or missing, do not attempt to attach the router table to a power source or operate the router table until the broken or missing parts are replaced. Failure to do so could result in serious injury.

▲ WARNING: Do not attempt to modify this tool or create accessories not recommended for use with this router table. Any such alteration or modification is misuse and could result in a hazardous condition leading to serious injury.

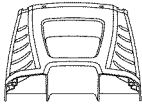
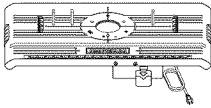
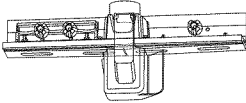
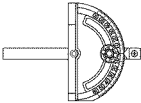
▲ WARNING: To prevent accidental starting that could cause serious personal injury, always unplug the tool from the power source when assembling parts.


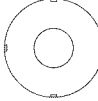
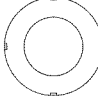
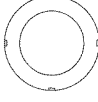
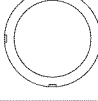
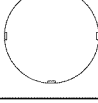
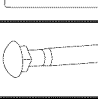
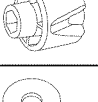
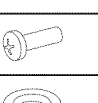
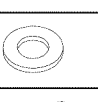
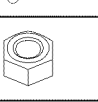

UNPACKING

This product has been shipped disassembled.

- Carefully remove the router table and any accessories from the carton. Make sure that all items listed in the packing list are included.
- Inspect the router table carefully to make sure that no breakage or damage occurred during shipping.
- Do not discard the packing material until you have carefully inspected and satisfactorily operated the router table.
- If any parts are damaged or missing, please return the product to the place of purchase.

PACKAGE CONTENTS AND HARDWARE

Key NO.	Description	Image	Quantity
1	Leg		2
2	Table (including switch box)		1
3	Fence assembly		1
4	Miter gauge		1

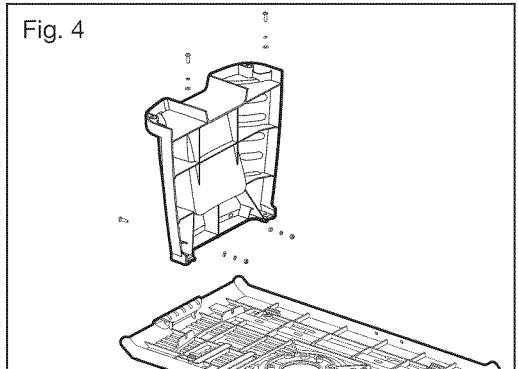
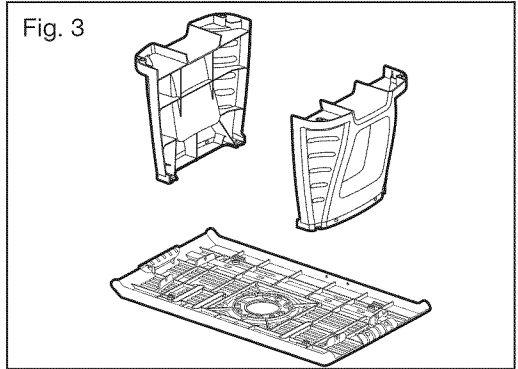
5	Feather board		2
6	Insert ring with 1-1/4 in. opening		1
7	Insert ring with 1-7/8 in. opening		1
8	Insert ring with 2-1/8 in. opening		1
9	Insert ring with 2-1/2 in. opening		1
10	Blank plate		1
11	Starting pin		1
12	Long round-head, square-neck bolt		4
13	Clamping knob		4
14	Large plain washer		4
15	Pan-head bolt		8
16	Spring washer		8
17	Small plain washer		8
18	Flat-head bolt		3
19	Nut		4

ASSEMBLY

See Part List (Page 12-13) for hardware illustrations referenced by number in the following instructions.

ATTACHING THE LEGS TO THE TABLETOP

1. Place the router table surface upside down on a flat, level surface.
2. Position the legs relative to the router table as shown in Fig. 3.
3. Insert two pan-head bolts (15) into the holes on the side of each leg, and place the small plain washers (17), spring washers (16) and nuts (19), as shown in Fig. 4.
4. Insert two pan-head bolts (15) into the holes on the top of each leg and place the small plain washers (17), spring washers (16), as shown in Fig. 4.
5. Securely tighten all fasteners with Philips screwdriver (not supplied).



ATTACHING THE ROUTER TO THE TABLE

Attach the router to the router table after you have assembled the table.

1. Unplug the router.
2. Place the router table upright, with the front edge closest to you.
3. Be sure that the table is stable and that it rests on both legs.
4. Remove the base plate from the router and hold the router upside down (Fig. 5). If your router model is listed in Table 2, determine the hole pattern that matches the mounting hole pattern for your router, as shown in Table 2 and Fig. 6.

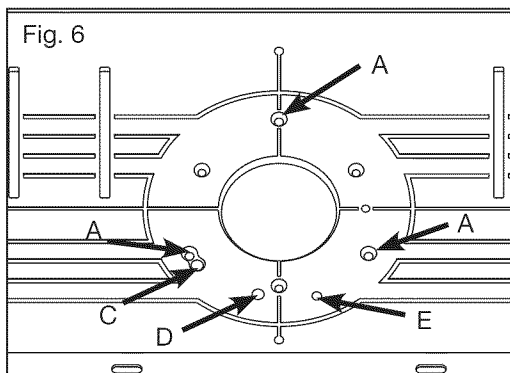
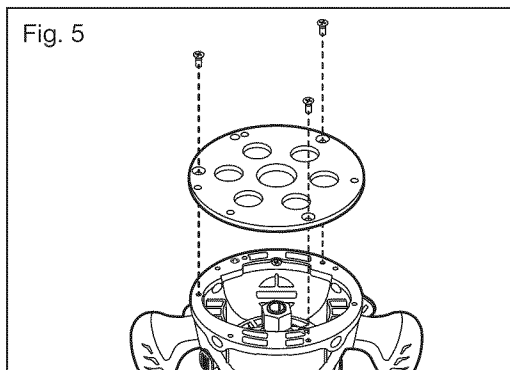
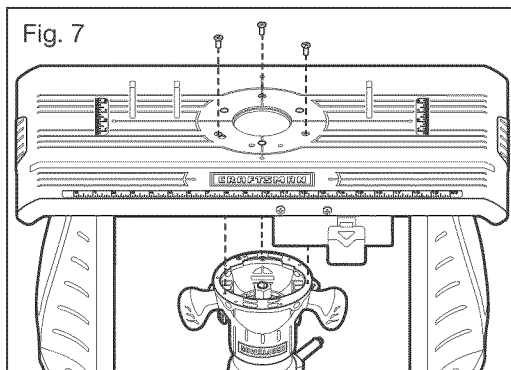


Table 2
Cutting height adjustment holes

Brand	Above-the-table height adjustment Hole	Model
Craftsman	C	28190 28084 (using the fixed base) 2768 27683 (using the fixed base) 27680 (using the fixed base)
Craftsman	D	28084 (using the plunge base) 27680 (using the plunge base) 27669 27666 27683 (using the plunge base)
Craftsman	E	17541 2767 17542 17543 (using the fixed base)

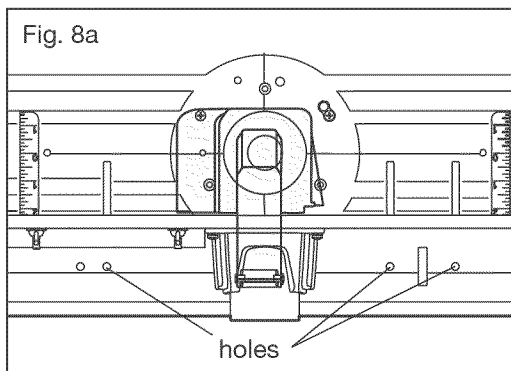
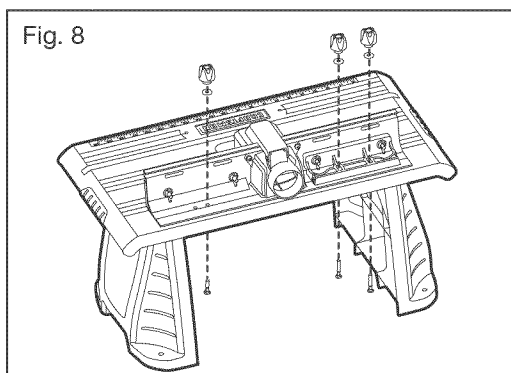
- Align the above-the-table height adjustment hole in your Craftsman router per Table 2. At the same time, align the three corresponding mounting holes A in the center of the table with the holes in the router, as shown in Fig. 6.
- Insert 3 flat-head bolts (18) through each of the three chosen router-table holes and into the holes in the router, as shown in Fig.7.
- Hold the router with one hand, and securely tighten each flat-head bolt (18) with Philips screwdriver (not supplied) by the other hand.
- If your router model is not listed in table 2, it may still be installed using either mounting hole A or the other 3-hole pattern available on this router table. However, over-the-table adjustment may not be accessible in this case.



ATTACHING THE FENCE ASSEMBLY TO THE TABLE (Fig. 8)

▲ WARNING: Always unplug the router before attaching or removing the fence. The fence has been shipped completely assembled.

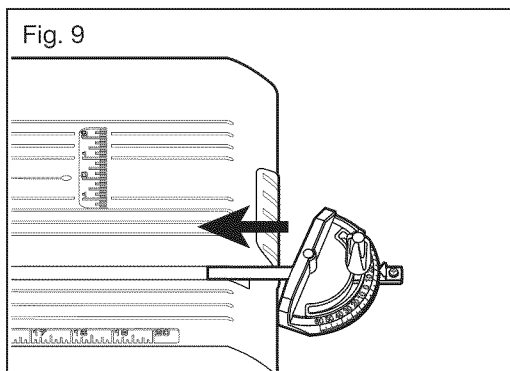
- Remove the three clamping knobs.
- Place the fence assembly on the table with the three clamping knobs facing you.
- Align three holes as shown in Fig. 8a on the bottom of fence with three channels on the router table.
- Secure the fence to the table with three clamping knobs (13), one short round-head square-neck bolt and two long round-head square-neck bolts (already attached to the fence assembly).



TO ATTACH THE MITER GAUGE (Fig. 9)

The miter gauge has been shipped completely assembled.

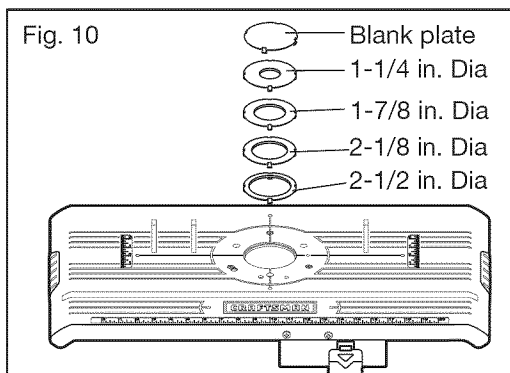
Attach the miter gauge to the table by placing the miter gauge bar in the slot on the table.



TO INSTALL TABLETOP INSERT RINGS (Fig. 10)

This router table includes five tabletop insert rings with the following hole sizes:

- 1-1/4 in. diameter, for use with bits with diameters up to 1-1/8 in.
- 1-7/8 in. diameter, for use with bits with diameters up to 1-3/4 in.
- 2-1/8 in. diameter, for use with bits with diameters up to 2 in.
- 2-1/2 in. diameter, for use with bits with diameters up to 2-3/8 in.

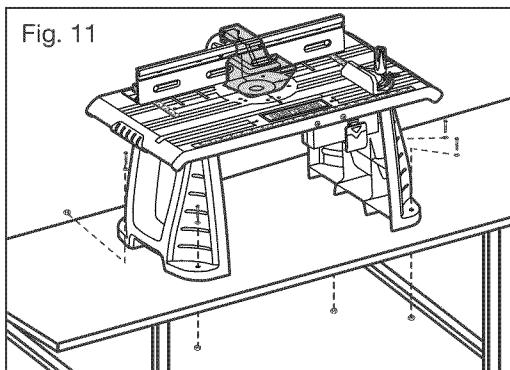


The blank plate may be drilled with a hole to match a bit whose diameter is not included in the list above. Make sure that the size of the hole is 1/8 in. larger than that of the bit. The blank plate may be used to prevent dust from entering the router below.

1. Position the tabletop insert over the inset opening in the router table.
2. Press the insert into the inset opening in the router table.
3. Press down evenly over the tabs until the insert locks into place.
4. To remove, pull up gently until the tabs disengage. When not in use, store the tabletop inserts in a convenient place.

MOUNTING THE TABLE TO A WORK SURFACE (Fig. 11)

1. Set the router table on a workbench or other stable and sturdy surface, with the FRONT (switch side) of the router table facing towards you.
2. While holding the router table in the desired position, mark the location of the four mounting holes (11/32 in. dia.) in each the four corners.
3. Remove the router table.
4. Drill an 11/32 in. pilot hole (for bolts) at the marked locations.
5. Place the router table on the workbench and align the mounting holes in the router table legs with the holes drilled in the workbench.
6. Secure the router table in place using nuts (not provided) and washers (not provided) to thread the bolts through the pilot holes.
7. Tighten all hardware (not supplied) securely with the corresponding tool to your hardware.



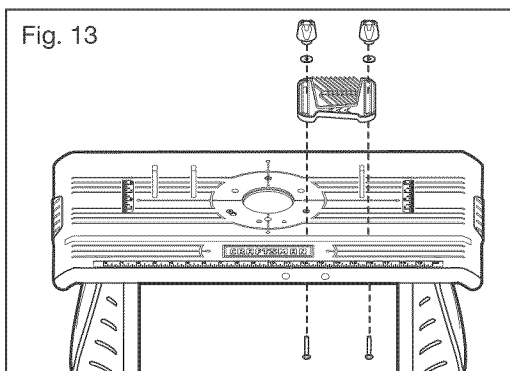
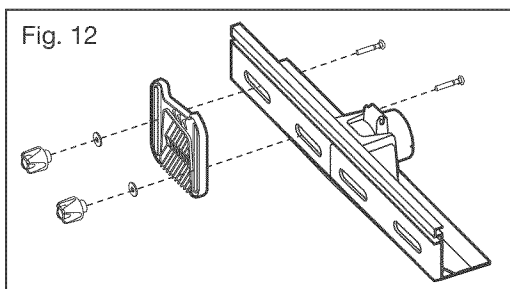
ATTACH THE FEATHER BOARDS (Fig. 12 and 13)

▲ WARNING: Always unplug the router before attaching or removing the feather boards.

▲ NOTICE: The front and back side of each feather board is marked to indicate proper feed direction. The direction of the arrow marked on the feather board must be consistent with the in-feed direction.

Attach the feather board to the fence

1. Place the feather board on the fence as shown in Fig. 12.



2. Insert two round-head, square-neck bolts (12) through the holes in the fence and the slots in the feather boards.
3. Slide large plain washers (14) onto each bolt.
4. Tighten the clamping knobs (13) to secure the feather board to the fence.

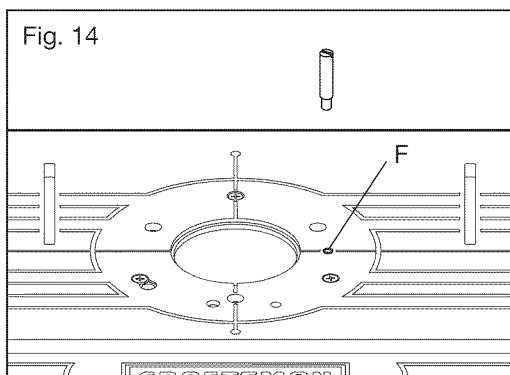
Attach the feather board to the tabletop surface

1. Place the feather board on the tabletop surface as shown in Fig. 13.
2. Insert the bolts through the holes in the tabletop surface and the slots in the feather board.
3. Slide large plain washers (14) onto the bolts.
4. Tighten the clamping knobs (13) to secure the feather board to the tabletop.

INSERTING THE STARTING PIN (Fig. 14)

Thread the starting pin into the hole "F" on the router table; use it as a pivot point when cutting small, odd-shaped pieces.

NOTICE: Only use piloted cutters when using the starting pin. Place the starting pin into the F hole in the right of the tabletop inset opening, and secure it by turning it clockwise.



SWITCH OPERATION

The switch has a safety key to help prevent accidentally switching the router ON, and to prevent unauthorized, possibly hazardous use by others.

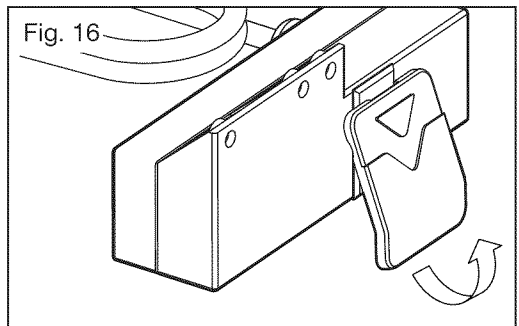
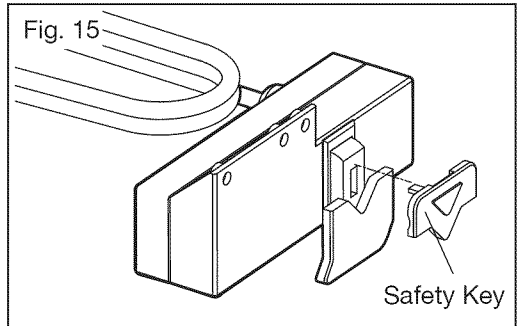
The yellow safety key must be completely inserted into the red switch panel before the switch can be turned ON.

To operate the switch: (Fig. 15 to Fig. 17)

1. Insert the safety key into the switch (Fig. 15).
2. To turn the power ON, lift up the ON/OFF switch panel (Fig. 16).
3. To turn the power OFF, press down on the ON/OFF switch panel (Fig. 17).

▲ WARNING: Never leave the router unattended while it is running or before it comes to a complete stop.

4. To lock the switch in the OFF position, push the ON/OFF switch down to turn the switch OFF, and remove the safety key from the switch panel.

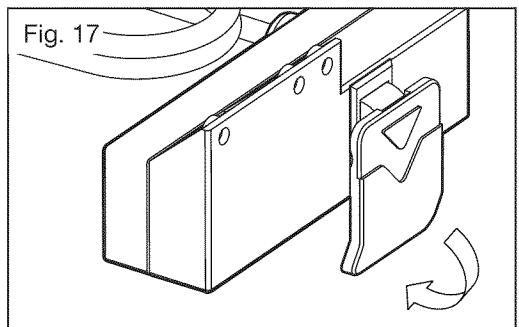


Electric receptacles

Two electric receptacles are located at the back of the switch assembly. Use one for plugging in the router. The other may be used to plug in a vacuum or a light (not included).

▲ WARNING: To ensure safety and reliability, the total current drawn from the two units must be less than 15 Amps.

NOTICE: The diameter of the vacuum adapter in the fence assembly is 2-1/4 in.; select the vacuum accordingly.

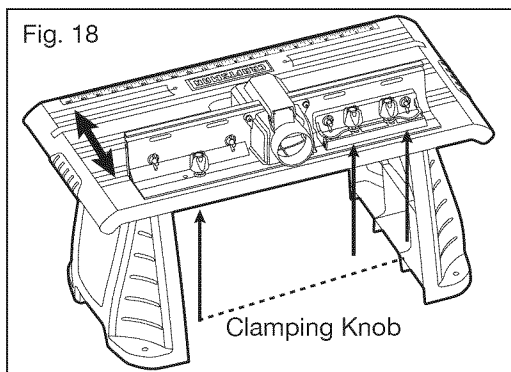


ADJUSTING THE FENCE

▲ WARNING: Failure to unplug your router before performing adjustments to the router or table could result in accidental starting causing serious injury.

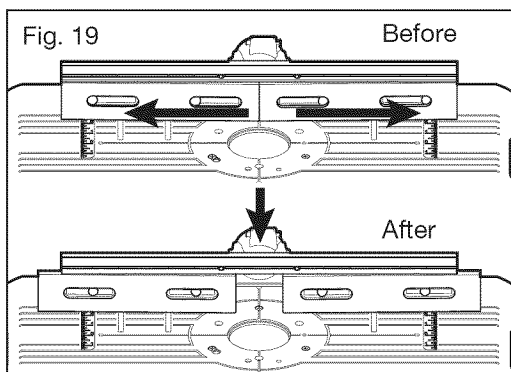
The fence enables you to support and guide the workpiece.

1. Loosen the three clamping knobs by turning them counterclockwise.
2. Move the fence forward or backward along the slots to the desired position, as shown in Fig. 18. The fence can be moved forward and backward 3-3/4 in.
3. Tighten the clamping knobs.



To adjust the fence right and left (Fig. 19)

1. Loosen the four wing nuts by turning them counterclockwise.
2. Move the fence facings right or left to the desired position (Fig. 19). Each fence facing can be moved 2 in. right or left in order to lengthen the fence during the operation.
3. Tighten the wing nuts.

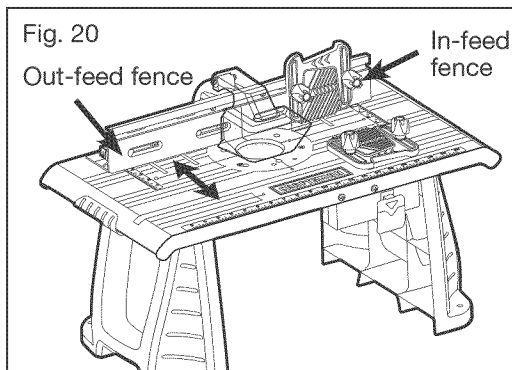


TO ADJUST THE OUT-FEED FENCE FOR JOINTING (Fig. 20)

⚠ WARNING: Failure to unplug your router before performing adjustments to the router or table could result in accidental starting causing serious injury.

For jointing operations, the out-feed fence can be adjusted up to 1/2 in. forward of the in-feed fence to support the workpiece after it passes across the router bit.

1. Loosen the clamping knob on the out-feed fence.
2. Move the out-feed fence forward of the in-feed fence to a distance equal to the width of material to be removed from the workpiece. Tighten the clamping knob.
3. Move and clamp the entire extended fence so that the out-feed fence is aligned with the cutting edge of the bit.



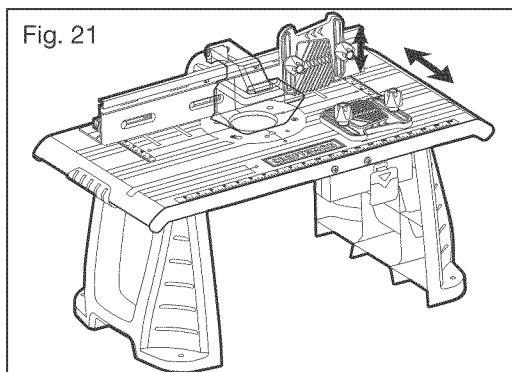
USING THE FEATHER BOARDS (Fig. 21)

⚠ WARNING: Failure to unplug your router before performing adjustments to the router or table could result in accidental starting causing serious injury.

Feather boards are helpful in controlling the workpiece while routing and assist in keeping the workpiece flat on the tabletop.

The tabletop feather board, combined with the fence feather board, help to keep the workpiece pressed against the fence and tabletop. The best location for the feather boards varies according to your application, workpiece size, and other factors.

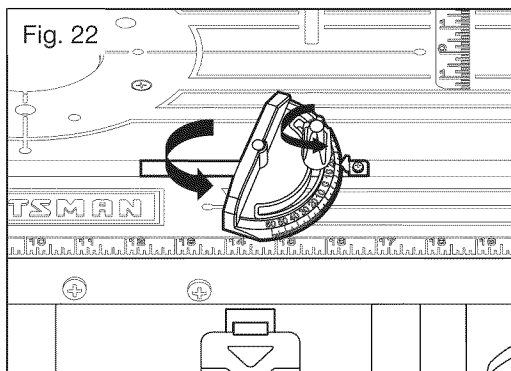
1. Loosely install the featherboard(s) as described on page 18 and 19.
2. Place the workpiece on the router table so that it is squarely against the fence.
3. Position both feather boards snugly against the workpiece and tighten the clamping knobs.
4. The workpiece should move with some resistance but without requiring a great effort.
5. For wider workpieces, the tabletop feather board cannot be used.



ADJUSTING THE MITER GAUGE (Fig. 22)

▲ WARNING: Failure to unplug your router before performing adjustments to the router or table could result in accidental starting causing serious injury.

1. Loosen the miter gauge knob.
2. Rotate the miter gauge to the desired angle.
3. Tighten the miter gauge knob.



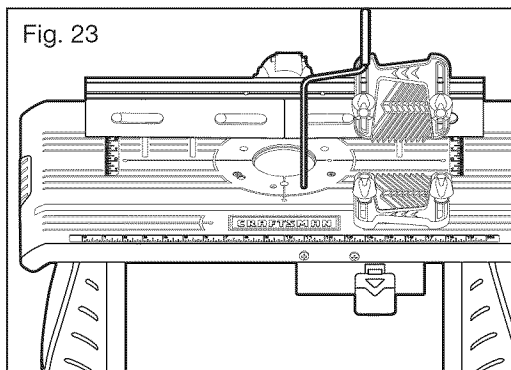
ADJUSTING THE CUTTING HEIGHT

▲ WARNING: Failure to unplug your router before performing adjustments to the router or table could result in accidental starting causing serious injury.

Select the appropriate hole to adjust the router to the table according to Table 2 and Fig. 6.

NOTICE: A hex wrench is required for this operation (not included).

1. Turn off the table switch by pressing the ON/OFF switch panel.
2. Loosen the clamping lever on the router.
3. Insert the hex wrench into the adjusting hole on the tabletop (Fig. 23), and turn the router adjustment dial with the hex wrench to move the router collet up or down.
4. When the desired cutting height is set, tighten the clamping lever on the router.



USING THE ROUTER WITH THE ROUTER TABLE


1. Read and understand the entire Operator's Manual for the router.
2. Always plug the router into the switched outlet in the router table. Never plug a router table mounted router into another power source.
3. Make sure that the router-table switch is off. Lock-on the router switch.
4. Plug the router-table cord into a power source.
5. Turn on the power to the router table by lifting up the ON/OFF switch panel.
6. Always control the power to the router with the router table switch whenever the router is mounted on the table.

ROUTING OPERATION

1. Read and understand the entire Operator's Manual for the router.
2. Adjust the fence to support the workpiece to be cut.

NOTICE: The workpiece must always be held tight against the fence.

3. Reconfirm that all router adjustments are securely locked before supplying power to the router.
4. Note that the direction of rotation of the router mounted to a router table is counterclockwise. Feed the workpiece from right to left.

 **WARNING:** The direction of feed for the workpiece is always against the sharp edges of the cutter and into the rotation of the cutter (the cutter rotation is counterclockwise when the router is installed in a router table). Failure to follow this rule can result in serious personal injury.

MAINTENANCE

GENERAL MAINTENANCE

⚠ WARNING: Avoid using solvents when cleaning plastic parts. Most plastics are susceptible to damage from various types of commercial solvents and may be damaged by their use. Use clean cloths to remove dirt, dust, oil, grease, etc.

⚠ WARNING: Do not at any time allow brake fluids, gasoline, petroleum-based products, penetrating oils, etc. to come in contact with plastic parts. Chemicals can damage, weaken or destroy plastic which may result in serious personal injury.

⚠ WARNING: When servicing, use only identical replacement parts. Use of any other parts may create a hazard or cause product damage. To ensure safety and reliability, all repairs should be performed by a qualified service technician.

TROUBLE SHOOTING

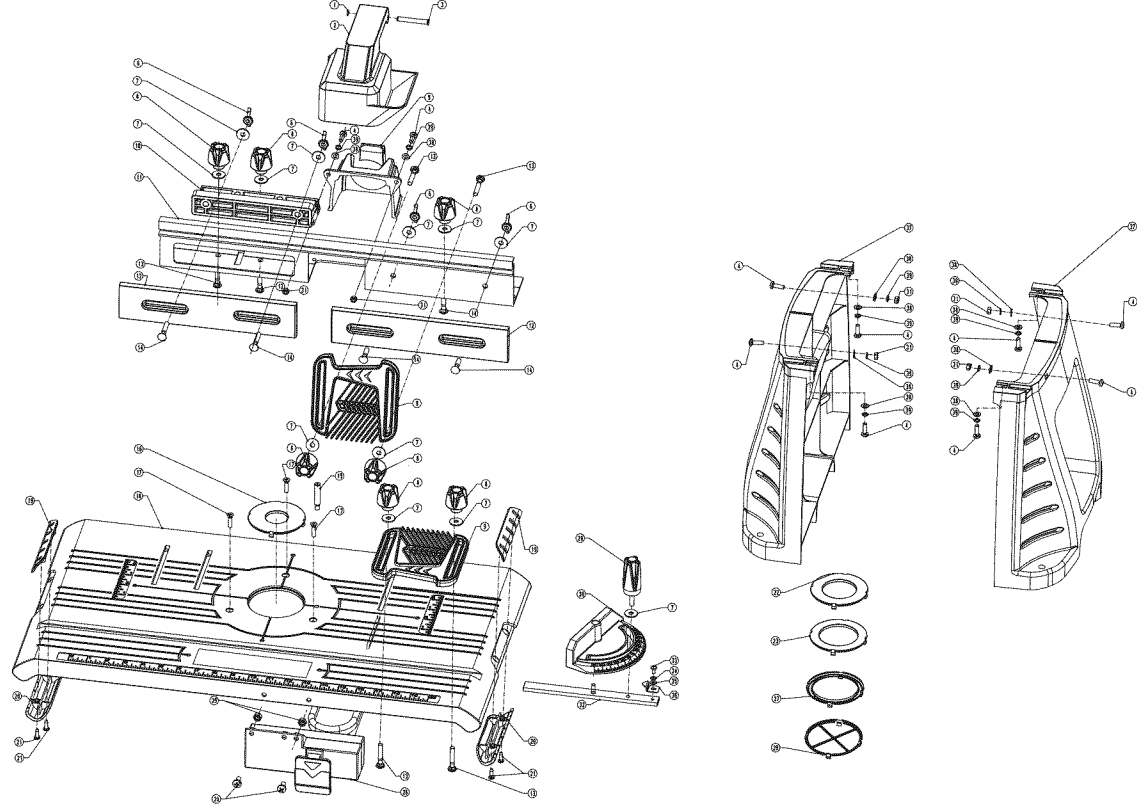
PROBLEM	CAUSE	SOLUTION
The router does not work	The router is not plugged into the table outlet	Insert router power cord plug into a table outlet
	The router table cord is not connected to a power source	Plug the router table cord into a power source
	The router table switch is in "OFF" position	Insert key and pull the switch to the ON position
The table surface is not flat	Legs are not properly assembled	Check assembly directions and securely tighten all fasteners

PARTS LIST

Router Table MODEL NUMBER 320.37596

The Model Number will be found on the Nameplate attached to the switch box of the router table. Always mention the Model Number when ordering parts for this tool.

To order parts, call 1-800-469-4663.



PARTS LIST

Router Table MODEL NUMBER 320.37596

The Model Number will be found on the Nameplate attached to the switch box of the router table. Always mention the Model Number when ordering parts for this tool.

To order parts, call 1-800-469-4663.

No	Part No	Part Name	QTY
1	5660027000	Circlips For Shaft	1
2	3123240000	Transparent Guard	1
3	3550847000	Shaft	1
4	5620051000	Screw	10
5	3123238000	Vacuum Adapter	1
6	5630056000	Wing Nut	4
7	5650017000	Plain Washer	12
8	3402187000	Fence Knob	7
9	3123929000	Feather Board	2
10	3123236000	Adjusting Base	1
11	3703820000	Adjustable Fence	1
12	3123237000	Scaleboard	2
13	5640168000	Square Neck Bolt	6
14	5640017000	Square Neck Bolt	5
15	3550846000	Fulcrum Pin	1
16	3123289000	Table Top Insert	1
17	5620075000	Screw	3
18	3421498000	Main Table	1
19	3123241000	Upper Handle Cover	2
20	3123242000	Lower Handle Cover	2
21	5610039000	Tapping Screw	4
22	3123288000	Table Top Insert	1
23	3123246000	Table Top Insert	1
24	5620369000	Screw	2

No	Part No	Part Name	QTY
25	5630015000	Prevailing Torque Hexagon Nut	2
26	2822230000	Switch Box Assembly	1
27	3127101000	Table Top Insert	1
28	3402186000	Miter Knob	1
29	3127100000	Table Top Insert	1
30	3123245000	Miter Gauge	1
31	5630003000	Hexagon Nut	6
32	3703828000	Miter Guide	1
33	5620038000	Screw	1
34	5650009000	External Teeth Washer	1
35	5650005000	Plain Washer	1
36	3703825000	Indicator	1
37	3123235000	Support Leg	2
38	5650013000	Plain Washer	10
39	5650015000	Spring Washer	10