

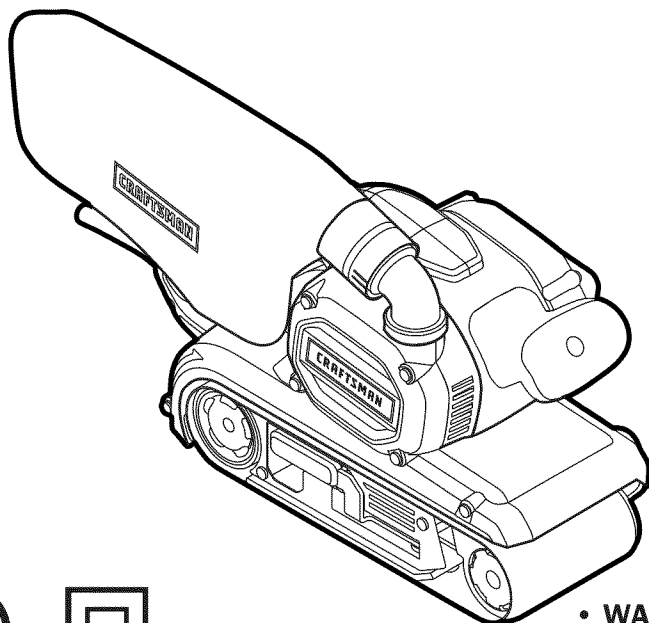
Operator's Manual

CRAFTSMAN®

10.0 Amp 4 in. x 24 in.

BELT SANDER

Model No. 320. 39597



▲ WARNING: To reduce the risk of injury, the user must read and understand the Operator's Manual before using this product.

- WARRANTY
- SAFETY
- DESCRIPTION
- ASSEMBLY
- OPERATION
- MAINTENANCE
- ESPAÑOL

Sears Brands Management Corporation, Hoffman Estates, IL 60179 U.S.A.

www.craftsman.com

TABLE OF CONTENTS

Warranty	Page 2
Safety Symbols	Pages 4-5
Safety Instructions	Pages 6-8
Description	Pages 9-10
Assembly	Page 11
Operation	Pages 12-15
Maintenance	Pages 16-17
Troubleshooting	Page 17
Parts List	Pages 18-19

CRAFTSMAN ONE YEAR LIMITED WARRANTY

FOR ONE YEAR from the date of purchase, this product is warranted against any defects in material or workmanship. With proof of purchase, defective product will be replaced free of charge.

For warranty coverage details to obtain free replacement, visit the web page: www.craftsman.com/warranty

This warranty does not cover the sanding belt, which is an expendable part that can wear out from normal use within the warranty period.

This ONE YEAR warranty is void if this product is ever used while providing commercial services or if rented to another person. For 90 DAY commercial and rental use terms, see the Craftsman warranty web page.


This warranty gives you specific legal rights, and you may also have other rights which vary from state to state.

Sears Brands Management Corporation, Hoffman Estates, IL 60179.

SAVE THESE INSTRUCTIONS!

READ ALL INSTRUCTIONS!

This belt sander has many features for making its use more pleasant and enjoyable. Safety, performance, and dependability have been given top priority in the design of this product, making it easy to maintain and operate.

 DANGER: People with electronic devices, such as pacemakers, should consult their physician(s) before using this product. Operation of electrical equipment in close proximity to a heart pacemaker could cause interference or failure of the pacemaker.

⚠ WARNING: Some dust created by power sanding, sawing, grinding, drilling and other construction activities contains chemicals known to the state of California to cause cancer, birth defects or other reproductive harm. Some examples of these chemicals are:

- Lead from lead-based paints
- Crystalline silica from bricks and cement and other masonry products, and
- Arsenic and chromium from chemically-treated lumber.

Your risk from these exposures varies, depending on how often you do this type of work. To reduce your exposure to these chemical: work in a well ventilated area, and work with approved safety equipment, such as those dust masks that are specially designed to filter out microscopic particles.

SAFETY SYMBOLS

The purpose of safety symbols is to attract your attention to possible dangers.

The safety symbols and the explanations with them deserve your careful attention and understanding. The symbol warnings do not, by themselves, eliminate any danger. The instructions and warnings they give are no substitutes for proper accident prevention measures.

⚠ WARNING: Be sure to read and understand all safety instructions in this manual, including all safety alert symbols such as “**DANGER,**” “**WARNING,**” and “**CAUTION**” before using this tool. Failure to follow all instructions listed in this manual may result in electric shock, fire, and/or serious personal injury.

SYMBOL SIGNAL MEANING

SAFETY ALERT SYMBOL: Indicates **DANGER, WARNING, or CAUTION;** may be used in conjunction with other symbols or pictographs.

⚠ DANGER: Indicates a hazardous situation which, if not avoided, will result in death or serious injury.

⚠ WARNING: Indicates a hazardous situation which, if not avoided, could result in death or serious injury.

⚠ CAUTION: Indicates a hazardous situation which, if not avoided, could result in minor or moderate injury.

Damage prevention and Information Messages

These inform the user of important information and/or instructions that could lead to equipment or other property damage if they are not followed. Each message is preceded by the word “NOTICE”, as in the example below.

NOTICE: Equipment and/or property damage may result if these instructions are not followed.




⚠ WARNING: To ensure safety and reliability, all repairs should be performed by a qualified service technician.



⚠ WARNING: The operation of any power tools can result in foreign objects being thrown into your eyes, which can result in severe eye damage. Before beginning power tool operation, always wear safety goggles or safety glasses with side shield and a full face shield when needed. We recommend a Wide Vision Safety Mask for use over eyeglasses or standard safety glasses with side shields. Always use eye protection which is marked to comply with ANSI Z87.1.

SAVE THESE INSTRUCTIONS

Some of these following symbols may be used on this tool. Please study them and learn their meaning. Proper interpretation of these symbols will allow you to operate the tool better and more safely.

SYMBOL	NAME	DESIGNATION/EXPLANATION
V	Volts	Voltage
A	Amperes	Current
Hz	Hertz	Frequency (cycles per second)
W	Watt	Power
min	Minutes	Time
	Alternating Current	Type of current
	Direct Current	Type or a characteristic of current
n_0	No-load Speed	Rotational speed, at no load
	Class II Construction	Double-insulated construction
.../min	Per Minute	Revolutions, strokes, surface speed, orbits, etc., per minute
	Wet Conditions Alert	Do not expose to rain or use in damp locations.
	Read The Operator's Manual	To reduce the risk of injury, user must read and understand operator's manual before using this product.
	Eye Protection	Always wear safety goggles or safety glasses with side shields and a full face shield when operating this product.
	Safety Alert	Precautions that involve your safety.
	No-Hands Symbol	Failure to keep your hands away from the blade will result in serious personal injury.
	No-Hands Symbol	Failure to keep your hands away from the blade will result in serious personal injury.
	No-Hands Symbol	Failure to keep your hands away from the blade will result in serious personal injury.
	No-Hands Symbol	Failure to keep your hands away from the blade will result in serious personal injury.
	Hot Surface	To reduce the risk of injury or damage, avoid contact with any hot surface.

SAFETY INSTRUCTIONS

GENERAL POWER TOOL SAFETY WARNINGS

▲ WARNING: Read all safety warnings and instructions. Failure to follow the warnings and instructions may result in electric shock, fire and / or serious injury.

Save all warnings and instructions for future reference.

The term “power tool” in the warnings refers to your mains-operated (corded) power tool or battery-operated (cordless) power tool.

WORK AREA SAFETY

- **Keep work area clean and well lit.** Cluttered or dark areas invite accidents.
- **Do not operate power tools in explosive atmospheres, such as in the presence of flammable liquids, gases or dust.** Power tools create sparks which may ignite the dust or fumes.
- **Keep children and bystanders away while operating a power tool.** Distractions can cause you to lose control.

ELECTRICAL SAFETY

- **Power tool plugs must match the outlet. Never modify the plug in any way. Do not use any adaptor plugs with earthed (grounded) power tools.** Unmodified plugs and matching outlets will reduce risk of electric shock
- **Avoid body contact with earthed or grounded surfaces such as pipes, radiators, ranges and refrigerators.** There is an increased risk of electric shock if your body is earthed or grounded.
- **Do not expose power tools to rain or wet conditions.** Water entering a power tool will increase the risk of electric shock.
- **Do not abuse the cord. Never use the cord for carrying, pulling or unplugging the power tool. Keep cord away from heat, oil, sharp edges or moving parts.** Damaged or entangled cords increase the risk of electric shock.
- **When operating a power tool outdoors, use an extension cord suitable for outdoor use.** Use of a cord suitable for outdoor use reduces the risk of electric shock.
- **If operating a power tool in a damp location is unavoidable, use a ground fault circuit interrupter (GFCI) protected supply.** Use of a GFCI reduces the risk of electric shock.

PERSONAL SAFETY

- **Stay alert, watch what you are doing and use common sense when operating a power tool. Do not use tool while tired or under the influence of drugs, alcohol, or medication.** A moment of inattention while operating power tools may result in serious personal injury.
- **Use personal protective equipment. Always wear eye protection.** Protective equipment such as dust mask, non-skid safety shoes, hard hat, or hearing protection used for appropriate conditions will reduce personal injuries.
- **Prevent unintentional starting. Ensure the switch is in the off-position before connecting to power source and/or battery pack, picking up or carrying the tool.** Carrying power tools with your finger on the switch or energizing in power tools that have the switch on invites accidents.
- **Remove any adjusting key or wrench before turning the power tool on.** A wrench or a key left attached to a rotating part of the power tool may result in personal injury.
- **Do not overreach. Keep proper footing and balance at all times.** This enables better control of the power tool in unexpected situations.
- **Dress properly. Do not wear loose clothing or jewelry. Keep your hair, clothing and gloves away from moving parts.** Loose clothes, jewelry or long hair can be caught in moving parts.
- **If devices are provided for the connection of dust extraction and collection facilities, ensure these are connected and properly used.** Use of these devices can reduce dust-related hazards.

POWER TOOL USE AND CARE

- **Do not force the power tool. Use the correct power tool for your application.** The correct power tool will do the job better and more safely at the rate for which it was designed.
- **Do not use the power tool if the switch does not turn it on and off.** Any power tool that cannot be controlled with the switch is dangerous and must be repaired.
- **Disconnect the plug from the power source and/or the battery pack from the power tool before making any adjustments, changing accessories, or storing power tools.** Such preventive safety measures reduce the risk of starting the power tool accidentally.
- **Store idle power tools out of the reach of children and do not allow persons unfamiliar with the power tool or these instructions to operate the power tool.** Power tools are dangerous in the hands of untrained users.
- **Maintain power tools. Check for misalignment or binding of moving parts, breakage of parts and any other condition that may affect the power tool's operation. If damaged, have the power tool repaired before use.** Many accidents are caused by poorly maintained power tools.

- **Keep cutting tools sharp and clean.** Properly maintained cutting tools with sharp cutting edges are less likely to bind and are easier to control.
- **Use the power tool, accessories and tool bits etc., in accordance with these instructions, taking into account the working conditions and the work to be performed.** Use of the power tool for operations different from those intended could result in a hazardous situation.

SERVICE

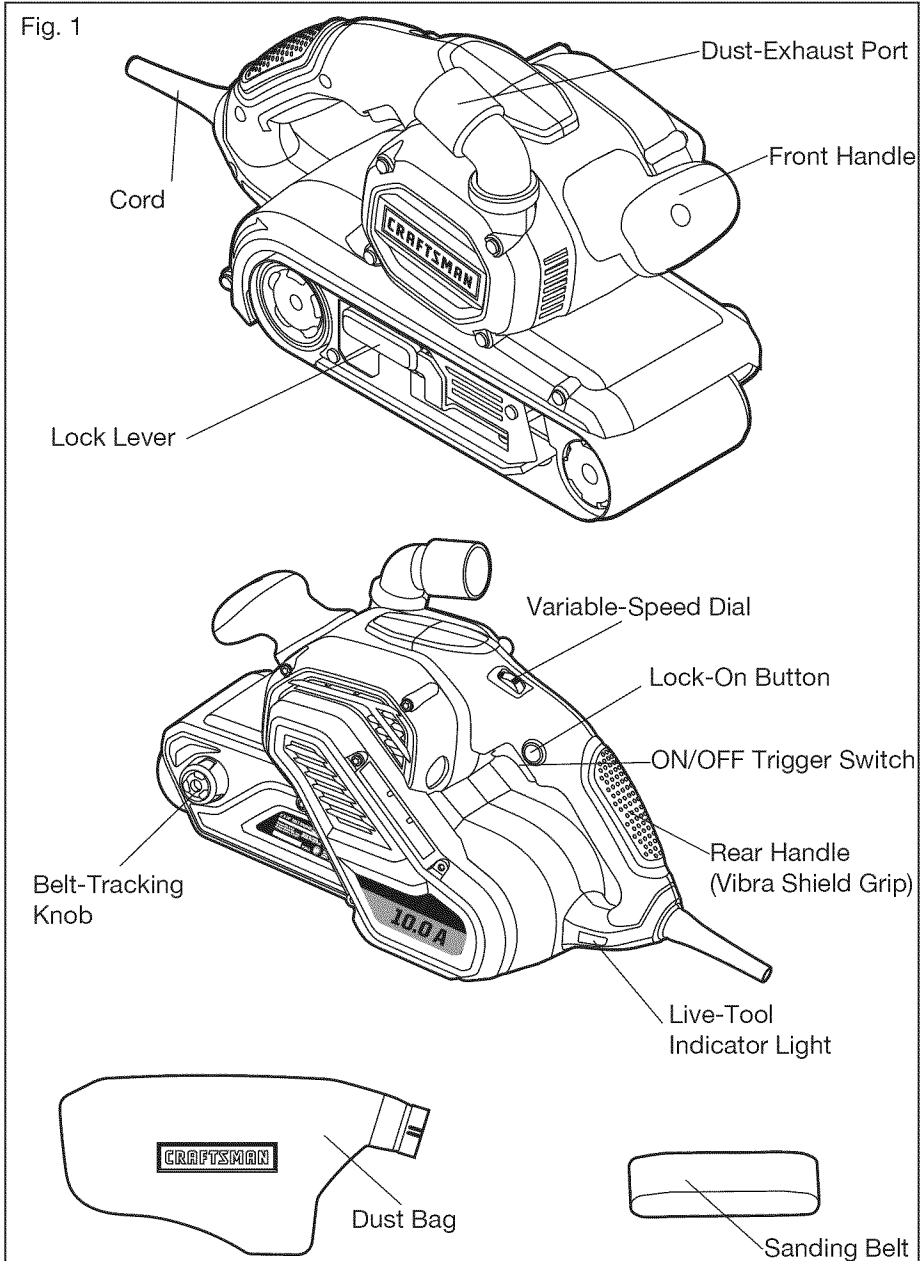
- **Have your power tool serviced by a qualified repair person using only identical replacement parts.** This will ensure that the safety of the power tool is maintained.
- **Follow instructions in the Maintenance section of this manual.** Use of unauthorized parts or failure to follow Maintenance instructions may create a risk of shock or injury.

SPECIFIC SAFETY RULES FOR BELT SANDER

- **Hold sanders by insulated gripping surfaces, because the belt may contact its own cord.** Cutting a “live” wire may make exposed metal parts of the power tool “live” and could give the operator an electric shock.
- **A suitable breathing respirator must be worn while sanding lead paint,** some woods and metal to avoid breathing the harmful/toxic dust or air.
- **Always wear safety goggles and a dust mask when sanding,** especially sanding over-head.
- The machine is not suitable for wet sanding.
- **Secure the workpiece.** A workpiece clamped with clamping devices or in a vice is held more secure than by hand.
- Make sure the belt is not contacting the workpiece before the on/off rocker switch is in the ON position.
- **Do not leave the tool running.** Operate the tool only when hand-held.

DESCRIPTION

KNOW YOUR BELT SANDER (Fig. 1)



PRODUCT SPECIFICATIONS	
Input	120V, 60Hz, AC only, 10 Amps
No-load Speed	800-1600 SFPM
Sanding Belt Size	4 in. x 24 in.
Protection Class	II

⚠ WARNING: The safe use of this product requires an understanding of the information on the tool and in this operator’s manual as well as knowledge of the project you are attempting. Before using this product, familiarize yourself with all operating features and safety rules.

LOCK-ON BUTTON

Lock the tool ON for continuous work.

DUST BAG

Use the dust bag for removing dust from the sanding space to help keep the work area clean.

VARIABLE-SPEED DIAL

The variable-speed dial is located on the rear handle of your tool for selecting the appropriate speed.

VIBRA SHIELD GRIP

The Vibra Shield grip increases user comfort.

LIVE TOOL INDICATOR LIGHT

The LED indicator light illuminates green when the tool is plugged into a power source.

ASSEMBLY

⚠ WARNING: If any parts are broken or missing, do not attempt to plug or operate the belt sander until the broken or missing parts are replaced. Failure to do so could result in possible serious injury.

⚠ WARNING: Do not attempt to modify this belt sander or create accessories not recommended for use with this belt sander. Any such alteration or modification is misuse and could result in a hazardous condition leading to possible serious injury.

⚠ WARNING: To prevent accidental starting that could cause serious personal injury, always disconnect the tool from the power source when assembling parts, making adjustments, installing or removing belt, cleaning, or when it is not in use.

UNPACKING

- Carefully remove the tool and any accessories from the carton. Make sure that all items listed in the packing list are included.
- Inspect the tool carefully to make sure that no breakage or damage occurred during shipping.
- Do not discard the packing material until you have carefully inspected and satisfactorily operated the tool.
- If any parts are damaged or missing, please return the tool to the place of purchase.

PACKING LIST

Belt sander, sanding belt (120 grit), dust bag and operator's manual

OPERATION

▲ WARNING: To prevent accidental starting that could cause serious personal injury, always disconnect the tool from the power source when assembling parts, making adjustments, installing or removing sanding belt, cleaning, or when it is not in use.

TURNING THE BELT SANDER ON/OFF (Fig. 2)

To turn on the belt sander, connect the plug to an electrical outlet, and press the on/off trigger switch.

To turn it off, release the trigger switch.

LOCK-ON BUTTON (Fig. 2)

The lock-on button allows the operator to keep the belt sander running without continuously depressing the trigger switch. While depressing the trigger switch, depress the lock-on button, and then release both.

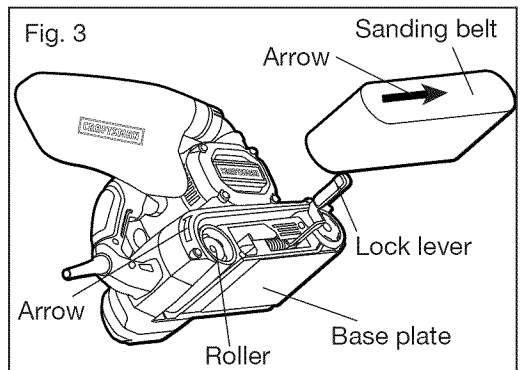
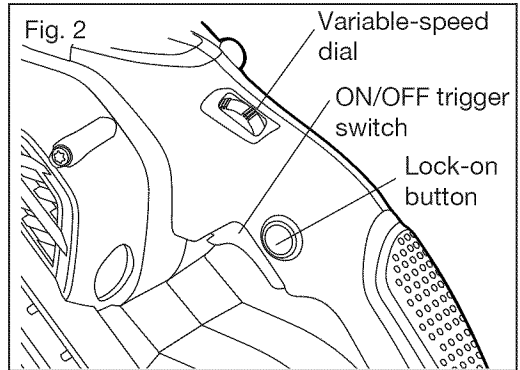
To release the lock-on button, squeeze and release the trigger switch.

VARIABLE-SPEED DIAL (Fig. 2)

The variable-speed dial allows you to select the correct speeds according to the sanding belt and the surface being sanded for either fast material removal or a fine, smooth finish. Rotate the dial from 1 to 6, with 1 being the lowest speed and 6 the highest speed.

TO INSTALL SANDING BELT (Fig. 3)

1. Disconnect the belt sander from the power source.
2. Place the sander on its side, and pull the lock lever out and towards the front of the tool.
3. Insert the new sanding belt around both rollers. Make sure that the arrow on the inside of the sanding belt points in the same direction as the arrow indicated on the sander.



- Center the sanding belt over the rollers and the bottom plate, then push the lock lever back to its original position to return tension to the belt.

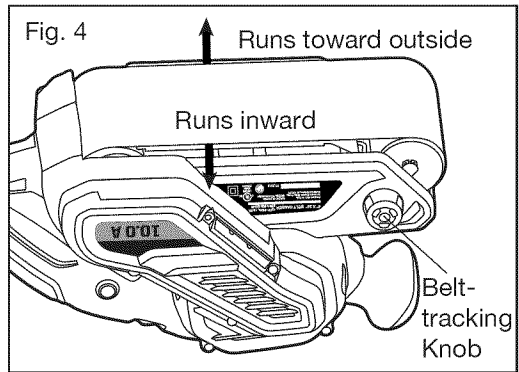
ADJUSTING THE BELT TRACKING (Fig. 4)

When a new sanding belt is installed, the sanding belt tracking may need to be adjusted several times as the belt becomes more pliable with use. The sanding belt will remain centered on the rollers during use when the belt tracking is adjusted correctly.

- Hold the belt sander upside down, and then turn it on.

NOTICE: This position is for the purpose of adjustment only. Do not allow the sanding belt to come into contact with a workpiece or any other object during adjustment.

- If the sanding belt runs inward toward the belt-tracking knob, rotate the belt-tracking knob clockwise.
- If the sanding belt runs toward the outside, turn the belt-tracking knob counterclockwise.



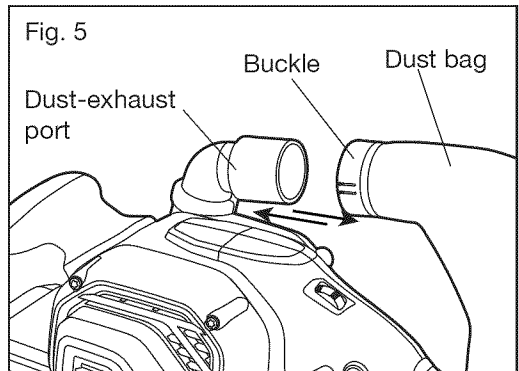
DUST BAG (Fig. 5)

⚠ WARNING: Do not use the dust bag when sanding metal. Using the dust bag when sanding metal creates a fire hazard, which could damage the tool and lead to serious personal injury. Your belt sander is supplied with a dust bag to help you keep the working area clean.

To install:

- Disconnect the belt sander from the power source.
- Align the dust-exhaust port with the dust bag outlet.
- Push the dust bag onto the tool until the buckle of the dust bag snaps onto the dust-exhaust port firmly.

NOTICE: From time to time, clean the dust-exhaust port with a dry brush.



To remove:

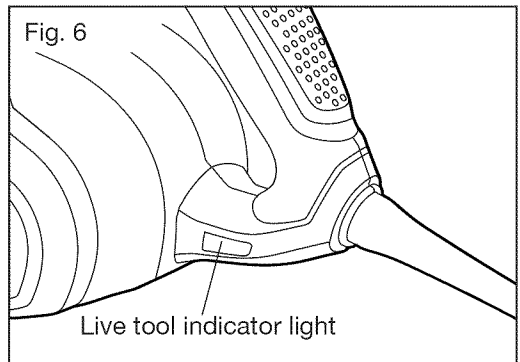
1. Disconnect the belt sander from the power source.
2. Grip the dust bag firmly, and pull it out from the tool.

NOTICE: For longer periods of use, or on large pieces of work, it is advisable to use a suitable vacuum cleaner. Attach an 1-1/4 in. wet/dry vacuum hose to the dust-exhaust port. It is advisable to also wear a suitable dust mask, as there may be residual airborne dust particles in the area.

▲ WARNING: The dust that is produced while sanding can be detrimental to health, flammable, or explosive. Suitable safety measures are required. Example: Some types of dust are known to cause cancer. Always wear a dust mask and use the proper dust collection method: dust bag for small volume and vacuum connection for large volume dust collection.

THE LIVE TOOL INDICATOR

The belt sander is equipped with a live tool indicator light (Fig. 6). When the tool is plugged into a power source, the live tool indicator will illuminate green to remind you that the tool is plugged in. When the tool is unplugged, the indicator light will turn off.



SELECTING THE RIGHT SANDING BELT

Different sanding belt grits may be purchased from the store where you purchased the tool. Available grits are: Coarse, Medium and Fine.

Use a coarse grit to sand down rough finishes, medium grit to smooth the work and fine grit to finish off.

It is best to make a trial run on a scrap piece of material to determine the best grits for a particular job.

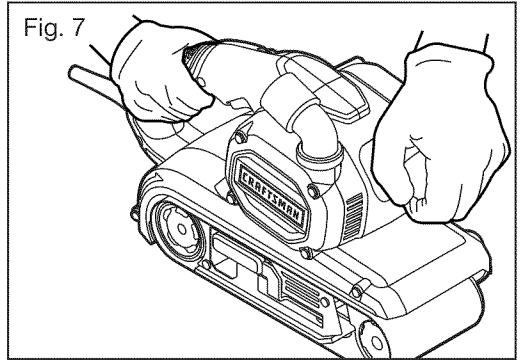
SANDING

This sander can be used for sanding operations on materials such as wood, plastic, metal and painted surfaces. Do not use the sander for wet sanding.

▲ WARNING: Finish sanding can produce clouds of fine sanding dust that could ignite in the presence of sparks or an open flame. To avoid injury, always use your sander in a well-ventilated area, away from sparks and flames.

▲ WARNING: Before sanding, make sure that the sanding belt is securely installed in place.

1. Secure the workpiece with clamps or other means to keep it from moving while sanding.
2. Do not force the tool. Excessive pressure will overload the motor, causing possible damage from motor overheating, and can result in inferior work.
3. Do not allow sanding on one spot too long, as the sander's rapid action may remove too much material and make the surface uneven.
4. Hold the sander with both hands firmly on the handles (Fig. 7).
5. Start the sander while it is off the work surface to avoid gouging.
6. Gradually lower the sander onto the workpiece with a slight forward movement. Move it slowly, using forward and backward strokes.
7. When you stop, lift the sander from the surface before stopping the tool.



NOTICE: Never start or stop the sander with the sanding belt in contact with the work surface.

MAINTENANCE

⚠ WARNING: Before cleaning or performing any maintenance, make sure that the belt sander has been disconnected from the power source.

⚠ WARNING: Always wear safety goggles or safety glasses with side shields when using compressed air to clean the tool. If the operation is dusty, also wear a dust mask.

BRUSH REPLACEMENT (Fig. 8)

The belt sander is equipped with externally accessible brushes.

To replace:

1. Disconnect the belt sander from the power source.
2. Use a slotted screwdriver (available separately) to turn the brush cap counterclockwise to remove it.
3. Remove the brush assembly.

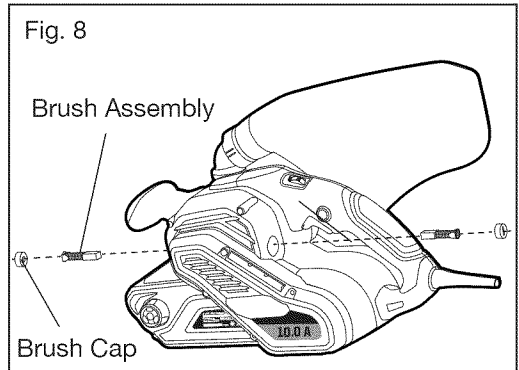
NOTICE: The carbon brush needs to be replaced when it is less than 1/4 in. length. Always replace both brushes when one needs replacement.

4. Replace with a new brush assembly. Make sure that the curvature of the brush matches curvature of the motor, that the brush moves freely in in brush tube, and the two metal “ears” fit into the brush tube.
5. Tighten the brush cap securely. Do not over tighten.
6. Repeat the process with the other brush.
7. The sander should be allowed to “RUN IN” (run at no-load without sanding belt) for 5 minutes before use, to seat the new brushes properly.

GENERAL MAINTENANCE

Avoid using solvents when cleaning plastic parts. Most plastics are susceptible to damage from various types of commercial solvents and may be damaged by their use. Use clean cloths to remove dirt, dust, oil, grease, etc. Keep all ventilation openings clean.

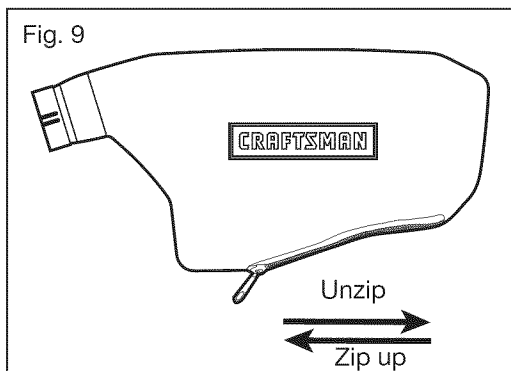
⚠ WARNING: Do not at any time let brake fluids, gasoline, petroleum-based products, penetrating oils, etc. come in contact with plastic parts. Chemicals can damage, weaken or destroy plastic which may result in serious personal injury.



⚠ WARNING: When servicing, use only identical replacement parts. Use of any other parts may create a hazard or cause product damage. To ensure safety and reliability, all repairs should be performed by a qualified service technician.

CLEAN THE DUST BAG (Fig. 9)

For more efficient operation, empty the dust bag when it is no more than half full. This will permit the air to flow through the bag better. Always empty and clean the dust bag thoroughly when you've finished sanding and before you store the sander.



To empty the dust bag

1. Disconnect the belt sander from the power source.
2. Remove the dust bag from the belt sander.
3. Unzip the dust bag and shake out the dust. (Fig. 9).
4. Zip up the dust bag and reinstall it on the sander.

⚠ WARNING: Collected sanding dust from sanding surface coatings such as polyurethanes, linseed oil, etc., can self-ignite in the sander dust bag or elsewhere and cause fire. To reduce the risk of fire, always empty the dust bag frequently while sanding and never store or leave a sander without totally emptying its dust bag. Also follow the recommendations of the coating manufacturers.

TROUBLESHOOTING

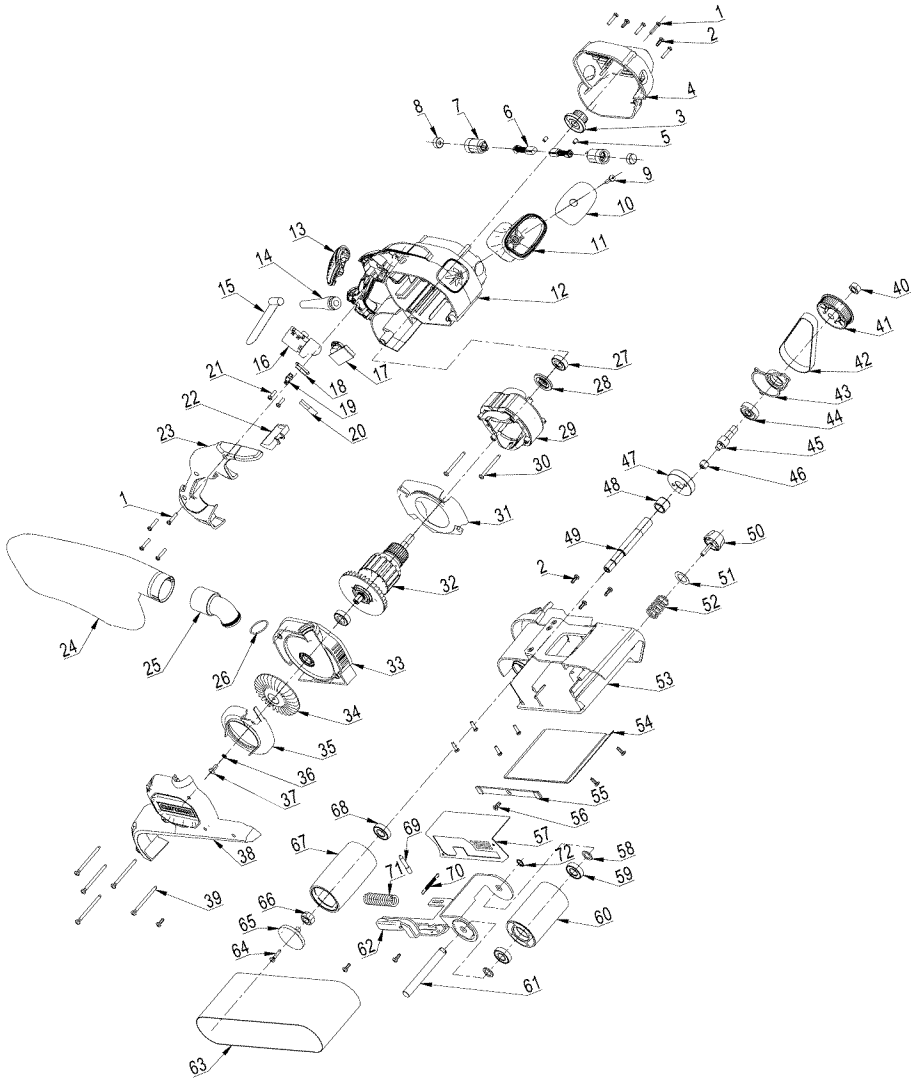
PROBLEM	CAUSE	SOLUTION
The sander does not work	Not connected to power source	Plug the sander into a power source
	The drive belt is broken	Have the belt replaced by a qualified service technician
The sanding belt is not centered on the rollers during use	The sanding belt is not adjusted properly	Adjust the sanding belt tracking (see "ADJUSTING THE BELT TRACKING")
	The sanding belt is defective	Replace with a new sanding belt

PARTS LIST

10.0 Amp BELT SANDER MODEL NUMBER 320.39597

The Model Number will be found on the nameplate of the tool. Always mention the Model Number when ordering parts for this tool.

To order parts, call 1-881-331-4569.



PARTS LIST

10.0 Amp BELT SANDER MODEL NUMBER 320.39597

The Model Number will be found on the nameplate of the tool. Always mention the Model Number when ordering parts for this tool.

To order parts, call 1-888-331-4569.

No.	Parts No.	Parts Name	QTY
1	5610248000	Tapping Screw	8
2	5610237000	Tapping Screw	10
3	3421548000	Small Belt Pulley	1
4	3127358000	Belt Cover	1
5	5620113000	Slotted Set Screw	2
6	4960019000	Carbon Brush Assembly	2
7	2800005000	Brush Holder Assembly	2
8	3120537000	Brush Cover	2
9	5610224000	Hexagon Lobuar Screw	1
10	3321719000	Front Handle Cover	1
11	3321720000	Front Handle	1
12	3321711000	Motor Housing	1
13	3321675000	Handle Assembly	1
14	3121124000	Cord Guard	1
15	2490136000	Nylon String	1
16	4870522000	Trigger Switch	1
17	4891064000	PCB Assembly	1
18	3700367000	Cord Anchorage	1
19	4930004000	Connecter	1
20	4540017000	Power Supply Indicator	1
21	5610031000	Thread Forming Screw	6
23	3127385000	Power Indicator Cover	1
22	3321710000	Right Handle	1
24	3127390000	Dust Bracket	1
25	3127391000	Vacuum Adapter	1
26	5690196000	O Ring	1
27	5700048000	Ball Bearing	2
28	3127384000	Septa	1
29	2740355000	Stator	1
30	5610249000	Tapping Screw	2
31	3127373000	Left Fan Baffle	1
32	2751013000	Rotor	1
33	3421542000	Middle Housing	1

No.	Parts No.	Parts Name	QTY
34	3421550000	Dust Fan	1
35	3127372000	Right Fan Baffle	1
36	5650015000	Spring Washer	1
37	5620500000	Set Screw	1
38	3421544000	Right Housing	1
39	5610221000	Hexagon Loular Screw	5
40	5630019000	Hexagon Nut	1
41	3421547000	Big Belt Pulley	1
42	3127436000	Timing Belt	1
43	3421552000	Gear Case Cover	1
44	5700013000	Ball Bearing	1
45	3551071000	Pinion	1
46	5700028000	Needle Bearing	1
47	3551105000	Gear	1
48	5700277000	Oil Impreging Bearing	1
49	3551093000	Shaft	1
50	3402676000	Adjusting Knob	1
51	3700255000	Washer	1
52	3660566000	Compression Spring	1
53	3421543000	Bottom Support	1
54	2822897000	Base Plate Set	1
55	2823736000	Belt Control Assembly	1
56	5610086000	Thread Forming Screw	1
57	3705609000	Mounting Cover	1
58	5650178000	Washer	2
59	5700014000	Ball Bearing	2
60	3421549000	Follower Wheel	1
61	3552117000	Front Pulley Shaft	1
62	2823721000	Front Pulley Bracket	1
63	3810632000	Belt Sanding Paper	1
64	5620450000	Pan Head Screw	1
65	3421557000	AI Cover	1
66	5630022000	Hexagon Nut	1

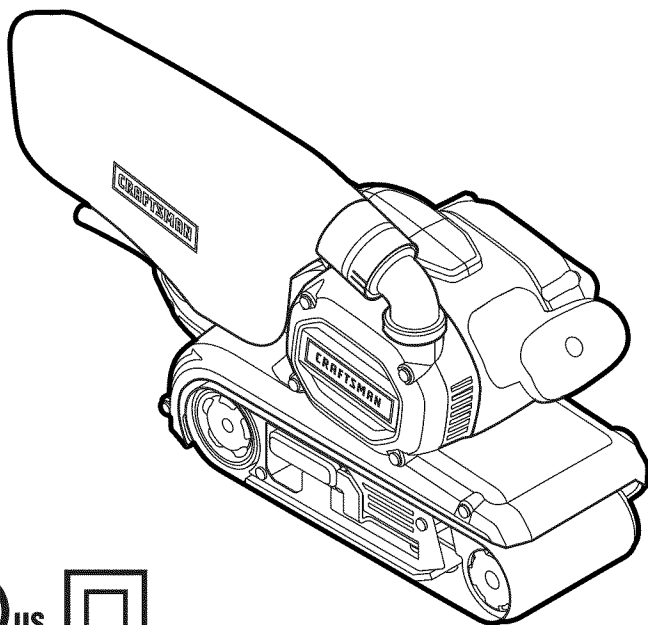
No.	Parts No.	Parts Name	QTY
67	3402673000	Driving Wheel	1
68	5700014000	Ball Bearing	1
69	5620050000	Screw	1
70	3660567000	Tension Spring	1
71	3660421000	Compression Spring	1
72	5660011000	Circlips For Shaft	1

Manual del Propietario

CRAFTSMAN®

LIJADORA DE BANDA DE 4 PULG. X 24 PULG. DE 10.0 AMP

Modelo N° 320.39597



▲ ADVERTENCIA: Para reducir el riesgo de lesiones, el usuario debe leer y comprender el Manual del Propietario antes de usar este producto.

- GARANTÍA
- SEGURIDAD
- DESCRIPCIÓN
- MONTAJE
- OPERACIÓN
- ESPAÑOL

Sears Brands Management Corporation, Hoffman Estates,
IL 60179 U.S.A.

www.craftsman.com

TABLA DE CONTENIDOS

Garantía	Página 23
Símbolos de Seguridad	Páginas 25-26
Instrucciones de Seguridad	Páginas 27-30
Descripción	Páginas 31-32
Montaje	Página 33
Operación	Páginas 34-38
Mantenimiento	Páginas 38-39
Identificación y Solución de Problemas	Página 40

GARANTÍA LIMITADA DE UN AÑO CRAFTSMAN

DURANTE UN AÑO desde la fecha de compra, este producto cuenta con garantía contra cualquier clase de defectos de material o de mano de obra. Mediante una prueba de compra, el producto defectuoso se reemplazará sin costo alguno.

Si desea obtener detalles sobre la cobertura de garantía para obtener un reemplazo sin costo, visite la página web: www.craftsman.com/warranty

Esta garantía no cubre la banda de lijado, porque es una pieza prescindible que pueden desgastarse debido al uso normal dentro del período de garantía.

La presente garantía de UN AÑO quedará anulada si este producto se usa para brindar servicios comerciales o si se alquila a terceros. Para consultar los términos de uso comercial y de alquiler de 90 DÍAS, visite la página web sobre garantía de Craftsman.

Esta garantía le otorga derechos legales específicos y usted puede contar con otros derechos, que pueden variar de estado a estado.

Sears Brands Management Corporation, Hoffman Estates, IL 60179.

¡GUARDE ESTAS INSTRUCCIONES!

¡LEA TODAS LAS INSTRUCCIONES!

Esta lijadora de banda cuenta con varias características para hacer su uso más agradable y placentero. Durante el diseño de esta herramienta, la seguridad, el rendimiento y la confiabilidad han sido las prioridades principales, además de la sencillez de mantenimiento y de operación.

⚠ PELIGRO: La gente con los accesorios electrónicos, como los estimuladores cardíacos, deben consultar sus médicos antes de usar este producto. La operación de los equipos eléctricos cerca de un estimulador cardíaco puede causar la interferencia o la avería del estimulador cardíaco.

⚠ ADVERTENCIA: Unos polvos creado por lijadoras mecánicas, las sierras mecánicas, las amoladoras eléctricas, los taladros y otras actividades de la construcción contienen los elementos químicos que son conocidos para el estado de California de causar el cancer, los defectos de nacimientos o otros daños reproductores. Unos ejemplos de estos elementos químicos estan:

- Plomo de la pintura con base de plomo
- El sílice cristalino de los ladrillos y cemento y otras productas de la albañilería, y
- El arsenic y el cromo de la madera tratada químicamente

Su riesgo de éstas exposiciones varía, dependiente con qué frecuencia haga esto typo de trabajo. Para reducir su exposición a estos elementos químicos: trabaje en un lugar bien ventilada, y trabaje con el equipo de seguridad, como las máscaras antipolvo que han diseñado específicamente para filtrar las partículas microscópicas.

SÍMBOLOS DE SEGURIDAD

El objeto de los símbolos de seguridad es atraer su atención sobre posibles peligros. Los símbolos de seguridad y las explicaciones junto a ellas ameritan su cuidadosa atención y comprensión. Los símbolos de advertencia no eliminan los peligros por sí solos. Las instrucciones y advertencias que ofrecen no reemplazan las medidas adecuadas de prevención de accidentes.

⚠ ADVERTENCIA: Asegúrese de leer y comprender todas las instrucciones de seguridad de este manual, incluyendo todos los símbolos de alerta de seguridad, tales como “**PELIGRO**”, “**ADVERTENCIA**” y “**PRECAUCIÓN**” antes de utilizar esta lijadora. No seguir todas las instrucciones listadas a continuación puede generar una descarga eléctrica, un incendio y/o graves lesiones corporales.

SIGNIFICADO DE LOS SÍMBOLOS

SÍMBOLO DE ALERTA DE SEGURIDAD: Indica **PELIGRO**, **ADVERTENCIA** O **PRECAUCIÓN**. Puede utilizarse en conjunto con otros símbolos u otros pictogramas.

⚠ PELIGRO: Indica una situación peligrosa que, si no se evita, puede provocar la muerte o una lesión grave. Esta palabra debe limitarse a las situaciones.

⚠ ADVERTENCIA: Indica una situación peligrosa que, si no se evita, puede provocar la muerte o una lesión grave.

⚠ PRECAUCIÓN: Indica una situación peligrosa que, si no se evita, puede provocar una lesión menor o moderada.

Mensajes de información y de prevención de daños

Estos informan al usuario sobre informaciones y/o instrucciones importantes que podrían provocar daños al equipamiento o a la propiedad si no se siguen. Cada mensaje está precedido por la palabra “**AVISO**”, como en el ejemplo siguiente:

AVISO: Pueden provocarse daños al equipamiento y/o a la propiedad si no se cumplen estas instrucciones.

⚠ ADVERTENCIA: Para garantizar la seguridad y la confiabilidad, todas las reparaciones deben ser efectuadas por un técnico calificado.



⚠ ADVERTENCIA: El funcionamiento de cualquier herramienta eléctrica puede provocar el lanzamiento de objetos en dirección de su rostro, y los consecuentes graves daños oculares. Antes de comenzar a utilizar la herramienta eléctrica, siempre use gafas o lentes de seguridad con protección lateral y una protección completa de rostro cuando sea necesario. Recomendamos el uso de una máscara de seguridad de visión amplia sobre los anteojos o gafas de seguridad estándar con protección lateral. Siempre utilice protección ocular con certificación de cumplimiento con ANSI Z87.1.

GUARDE ESTAS INSTRUCCIONES

Algunos de los siguientes símbolos pueden utilizarse en esta herramienta. Tengaa bien estudiarlos y aprender su significado. Una interpretación adecuada de estos símbolos le permitirá operar la herramienta de una manera mejor y más segura.

SÍMBOLO	NOMBRE	DESIGNACIÓN / EXPLICACIÓN
V	Voltios	Voltaje
A	Amperios	Corriente
Hz	Hercios	Frecuencia (ciclos por segundo)
W	Vatios	Energía
min	Minutos	Tiempo
	Corriente alterna	Tipo de corriente
	Corriente continua	Tipo o una característica de la corriente
n_0	Velocidad sin carga	Velocidad giratoria, sin carga
	Construcción Clase II	Construcción de doble aislación
.../min	Por minuto	Revoluciones, carreras, velocidad de superficie, órbitas, etc., por minuto.
	Alerta de condiciones húmedas	No exponga a la lluvia u otras locaciones húmedas.
	Lea el manual de operación	Para reducir el riesgo de lesiones, el usuario debe leer y comprender este manual de operación antes de usar este producto.
	Protección ocular	Siempre use gafas o lentes de seguridad con protecciones laterales y una protección de todo el rostro cuando utilice este producto.
	Alerta de seguridad	Precauciones que involucran su seguridad.
	Símbolo de no tocar con las manos	No mantener sus manos alejadas de la sierra provocará lesiones personales graves.
	Símbolo de no tocar con las manos	No mantener sus manos alejadas de la sierra provocará lesiones personales graves.
	Símbolo de no tocar con las manos	No mantener sus manos alejadas de la sierra provocará lesiones personales graves.
	Símbolo de no tocar con las manos	No mantener sus manos alejadas de la sierra provocará lesiones personales graves.
	Superficie caliente	Para reducir el riesgo de lesiones o daños, evite el contacto con cualquier superficie caliente.

SAFETY INSTRUCTIONS

GENERAL POWINSTRUCCIONES DE SEGURIDAD

ADVERTENCIAS GENERALES DE SEGURIDAD DE LAS HERRAMIENTAS ELÉCTRICAS

⚠ ADVERTENCIA: Lea todas las advertencias e instrucciones de seguridad. No seguir las advertencias e instrucciones puede generar una descarga eléctrica, un incendio y/o lesiones personales graves.

Conserve todas las advertencias e instrucciones para referencia futura.

El término “herramienta eléctrica” de todas las advertencias listadas a continuación hacen referencia a herramientas eléctricas con cable o herramientas eléctricas operadas a batería (inalámbricas).

SEGURIDAD EN EL ÁREA DE TRABAJO

- **Mantenga el área de trabajo limpia y bien iluminada.** Las áreas desordenadas u oscuras son propicias para los accidentes.
- **No utilice herramientas eléctricas en atmósferas explosivas, como en la presencia de líquidos inflamables, gases o polvillo.** Las herramientas eléctricas crean chispas, que pueden encender el polvillo o el humo.
- **Mantenga a los niños y a los transeúntes alejados mientras maneja esta herramienta eléctrica.** Las distracciones pueden provocar la pérdida de control.

SEGURIDAD ELÉCTRICA

- **Evite el contacto corporal con superficies con conexión a tierra, tales como cañerías, radiadores, cocinas y refrigeradores.** Existe un riesgo mayor de descarga eléctrica si su cuerpo tiene conexión a tierra.
- **Los enchufes de las herramientas eléctricas deben poder insertarse en los tomacorrientes.** Nunca modifique el enchufe de ninguna manera. No utilice enchufes adaptadores con herramientas eléctricas con conexión a tierra. No modificar los enchufes y contar con el tomacorriente adecuado reducirán el riesgo de una descarga eléctrica.
- **No exponga las herramientas eléctricas a la lluvia o a condiciones de humedad.** El agua que ingresa a la herramienta eléctrica incrementará el riesgo de una descarga eléctrica.
- **No maltrate el cable. Nunca utilice el cable para trasladar o desenchufar la herramienta eléctrica ni tire del mismo. Mantenga el cable alejado del calor, aceite, extremos afilados o piezas en movimiento.** Los cables dañados o enredados incrementan el riesgo de una descarga eléctrica.

- **Cuando utilice una herramienta eléctrica al aire libre, use un cable de extensión especial para uso al exterior.** El uso de un cable adecuado para el aire libre reduce el riesgo de una descarga eléctrica.
- **Si no puede evitar el uso de una herramienta eléctrica en un lugar húmedo, utilice un suministro de energía protegido por un interruptor de circuito con descarga a tierra (GFCI, por sus siglas en inglés).** El uso de un GFCI reduce el riesgo de una descarga eléctrica.

SEGURIDAD PERSONAL

- **Manténgase alerta, preste atención a lo que hace y tenga sentido común cuando utilice una herramienta eléctrica. No utilice una herramienta eléctrica si está cansado o bajo la influencia de drogas, alcohol o alguna medicación.** Un momento de distracción mientras utilice herramientas eléctricas puede provocar lesiones personales graves.
- **Utilice equipamiento de protección personal. Siempre use protección ocular.** El equipamiento de seguridad como las máscaras antipolvo, zapatos antideslizantes, cascos o protección auditiva utilizados para condiciones apropiadas reducirán las lesiones personales.
- **Evite el encendido involuntario. Verifique que el interruptor se encuentre en la posición OFF (apagado) antes de conectar a la fuente de energía y/o a la batería, levantar la herramienta o trasladarla.** Llevar herramientas eléctricas con el dedo sobre el interruptor o enchufar herramientas que tienen el interruptor en la posición "ON" (encendido) es una invitación a sufrir un accidente.
- **Quite las llaves ajustables antes de encender la herramienta eléctrica.** Una llave de tuercas que se deja conectada a una pieza giratoria de la herramienta puede provocar lesiones personales.
- **No se estire de más. Mantenga una postura equilibrada y segura en todo momento.** Esto permite un mejor control de la herramienta eléctrica en situaciones inesperadas.
- **Vístase adecuadamente. No use vestimenta suelta o joyas. Mantenga su cabello, ropa y guantes alejados de las piezas en movimiento.** La ropa suelta, joyas o cabello largo pueden engancharse en las piezas en movimiento.
- **Si los dispositivos pueden conectarse a instalaciones de extracción y recolección de polvo, asegúrese de que se encuentren bien conectados y se usen adecuadamente.** El uso de estos dispositivos puede reducir los riesgos relacionados con el polvo.

USO Y CUIDADO DE LA HERRAMIENTA ELÉCTRICA

- **No fuerce la herramienta eléctrica. Use la herramienta eléctrica correcta para su aplicación.** La herramienta eléctrica correcta hará mejor el trabajo y de manera más segura cuando se usa en la clasificación para la cual fue diseñada.
- **No use la herramienta eléctrica si el interruptor no puede encenderla (ON) o apagarla (OFF).** Cualquier herramienta que no puede controlarse mediante el interruptor es peligrosa y debe repararse.
- **Desconecte el enchufe de la fuente de energía y/o el paquete de baterías desde la herramienta eléctrica antes de realizar ajustes, cambiar accesorios o almacenar herramientas eléctricas.** Dichas medidas de seguridad preventivas reducen el riesgo de encender la herramienta eléctrica de manera accidental.
- **Guarde las herramientas eléctricas fuera del alcance de los niños y no permita que personas que no saben usar la herramienta eléctrica o que no conocen las instrucciones la operen.** Las herramientas eléctricas son peligrosas en manos de usuarios faltos de capacitación.
- **Realice mantenimiento de las herramientas eléctricas. Controle que las piezas en movimiento no estén mal alineadas y que no se traben, la rotura de piezas y cualquier otra condición que pueda afectar el funcionamiento de la herramienta eléctrica. Si está dañada, haga reparar la herramienta antes de usarla.** Muchos accidentes son provocados por herramientas que no han recibido el mantenimiento adecuado.
- **Mantenga las herramientas de corte afiladas y limpias.** Las herramientas de corte bien mantenidas con extremos de corte afilados tienen menos probabilidades de trabarse y son más fáciles de controlar.
- **Utilice la herramienta eléctrica, accesorios, hojas de corte, etc. de acuerdo con estas instrucciones y del modo concebido para este tipo particular de herramienta eléctrica, teniendo en cuenta las condiciones de trabajo y el trabajo a realizar.** El uso de la herramienta eléctrica para operaciones diferentes de las previstas puede generar una situación peligrosa.

SERVICIO

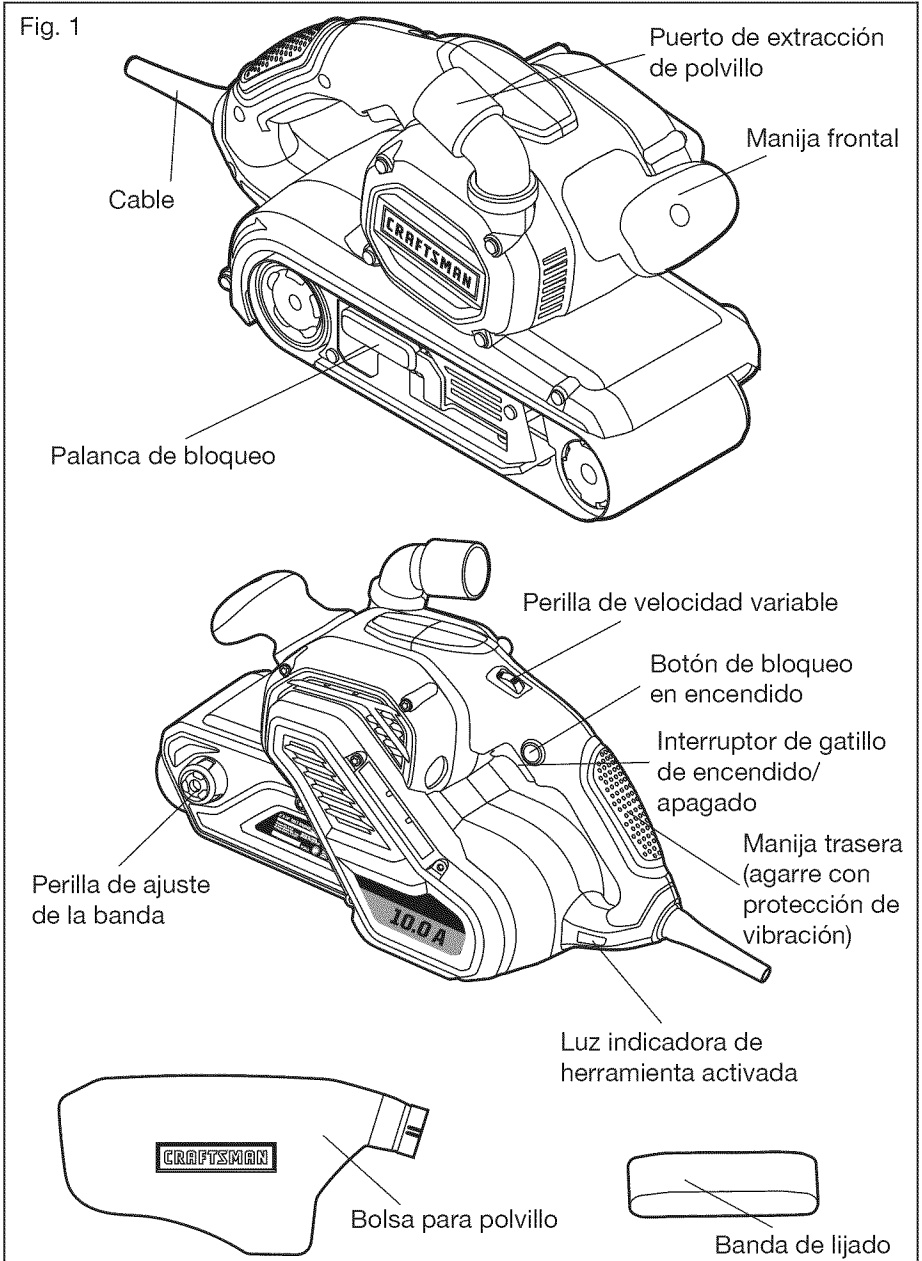
- **Solicite a personal de reparación calificado que realice el mantenimiento y arreglos utilizando sólo las piezas de repuesto idénticas.** Esto asegurará el mantenimiento de la seguridad de la herramienta eléctrica.
- **Siga las instrucciones de la Sección de Mantenimiento de este manual.** El uso de piezas no autorizadas o no seguir las instrucciones de Mantenimiento pueden crear un riesgo de descarga eléctrica o lesiones.

NORMAS ESPECÍFICAS DE SEGURIDAD PARA LA LIJADORA DE BANDA

- **Sostenga las herramientas eléctricas de sus superficies de agarre aisladas cuando realice una operación en la que la herramienta de corte pueda hacer contacto con cableado oculto o con su propio cable.** El contacto con un cable “cargado” provocará que las piezas expuestas de piezas de metal también se “carguen” y ejerzan una descarga eléctrica en el operador.
- **Debe utilizarse un respirador adecuado mientras se esté lijando pintura con plomo, algunas maderas y metales para no respirar el polvillo o aire nocivo/tóxico.**
- **Siempre utilice gafas de seguridad y una máscara anti-polvillo cuando realice operaciones de lijado, especialmente en lugares más elevados.**
- **Esta máquina no es adecuada para lijado húmedo.**
- **Fije la pieza de trabajo. Una pieza de trabajo sujeta mediante dispositivos de sujeción o una prensa se sostiene mejor que a mano.**
- **Asegúrese de que la banda no haga contacto con la pieza de trabajo antes de que se haya activado el interruptor de gatillo de encendido/apagado.**
- **No deje la herramienta en funcionamiento. Utilice la herramienta sólo cuando la sostenga con sus manos.**

DESCRIPCIÓN

CONOZCA SU LIJADORA DE BANDA (Fig. 1)



ESPECIFICACIÓN DE PRODUCTO	
Entrada	120V, 60Hz, AC, 10 Amp
Velocidad sin carga	800-1600 SFPM
Tamaño de banda de lijado	4'' x 24''
Clase de protección	II

⚠️ ADVERTENCIA: El uso seguro de este producto requiere una comprensión de la información incluida en la herramienta y en este manual del propietario, además del conocimiento del proyecto que está iniciando. Antes de usar este producto, familiarícese con todas las características de operación y normas de seguridad.

BOTÓN DE BLOQUEO EN ENCENDIDO

Bloquea la herramienta en encendido (ON) para un trabajo continuo.

BOLSA PARA POLVILLO

Utilice la bolsa para polvillo del espacio de lijado a fin de mantener limpia el área de trabajo.

PERILLA DE VELOCIDAD VARIABLE

La perilla de velocidad variable se encuentra en la rear de su herramienta para seleccionar la velocidad adecuada.

AGARRE VIBRASHIELD

El agarre VibraShield aumenta el confort del usuario.

LUZ INDICADORA DE HERRAMIENTA ACTIVADA

Esta luz verde se encuentra siempre encendida cuando la lijadora está enchufada a una fuente de energía.

MONTAJE

⚠ ADVERTENCIA: Si falta alguna pieza o si alguna pieza está rota, no trate de enchufar el cable de energía u operar la perforadora/atornilladora hasta que se reemplacen las piezas faltantes o rotas. No hacerlo puede provocar una lesión personal grave.

⚠ ADVERTENCIA: No trate de modificar esta perforadora/atornilladora o crear accesorios no recomendados para usar con esta herramienta. Cualquier alteración o modificación constituye un uso indebido y podría provocar una condición peligrosa y posibles lesiones graves.

⚠ ADVERTENCIA: Para prevenir un arranque accidental que podría provocar lesiones personales graves, siempre desconecte el paquete de baterías de la perforadora/atornilladora cuando cambie las brocas.

DESEMPAQUE

- Con cuidado, quite la herramienta y los accesorios de la caja. Asegúrese de que todos los elementos listados en el paquete estén incluidos.
- Inspeccione la herramienta con detenimiento para constatar que no hayan ocurrido roturas o daños durante el envío.
- No descarte el material de empaque hasta que haya inspeccionado la herramienta con cuidado y la haya utilizado satisfactoriamente.
- Si falta alguna pieza o alguna pieza se encuentra rota, devuelva la herramienta al lugar de compra.

LISTA DE EMPAQUE

Lijadora de banda, banda de lijado (120 grano), bolsa para polvillo y manual del propietario.

OPERACIÓN

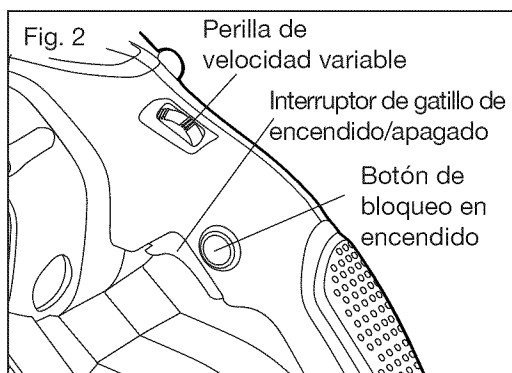
▲ ADVERTENCIA: Para evitar un arranque accidental que podría provocar lesiones personales graves, siempre desconecte la lijadora de la fuente de energía cuando coloque piezas, realice ajustes, instale o quite el banda de lija, efectúe la limpieza o cuando no la esté utilizando.

ENCENDER/ APAGARLA LA LIJADORA (Fig. 2)

Para encender la lijadora, conecte el enchufe a un tomacorriente y presione el interruptor de gatillo on/off (encendido/apagado). Para apagarla, suelte el interruptor de gatillo.

BOTÓN DE BLOQUEO EN ENCENDIDO (Fig. 2)

El botón de bloqueo en encendido le permite al operador mantener la lijadora en funcionamiento sin tener que presionar continuamente el interruptor de gatillo. Para activar la función de bloqueo en encendido: Presione y sostenga el interruptor de gatillo, presione el botón de bloqueo en encendido y luego libere ambos. Para liberar el botón de bloqueo en encendido, presione y libere el interruptor de gatillo.

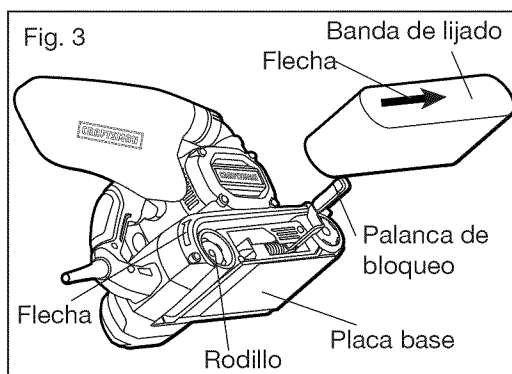


PERILLA DE VELOCIDAD VARIABLE (Fig. 2)

La perilla de velocidad variable le permite adecuar la velocidad correcta al banda de lija que está usando y a las superficies específicas que está lijando para lograr una remoción rápida del material o un acabado fino y suave. Gire la perilla de 1 a 6; 1 es la velocidad más baja y 6 es la más rápida.

CÓMO INSTALAR LA BANDA DE LIJADO (Fig. 3)

1. Desconecte la lijadora de banda de la fuente de energía.
2. Coloque la lijadora sobre su lado y tire de la palanca de bloqueo hacia afuera y hacia el frente de la herramienta.



3. Introduzca la nueva banda de lijado alrededor de ambos rodillos. Asegúrese de que la flecha ubicada en la parte interna de la banda de lijado apunte en la misma dirección de la flecha indicada en la lijadora.
4. Centre la banda de lijado sobre los rodillos y la placa inferior, luego presione la palanca de bloqueo hacia su posición original para devolver tensión a la banda.

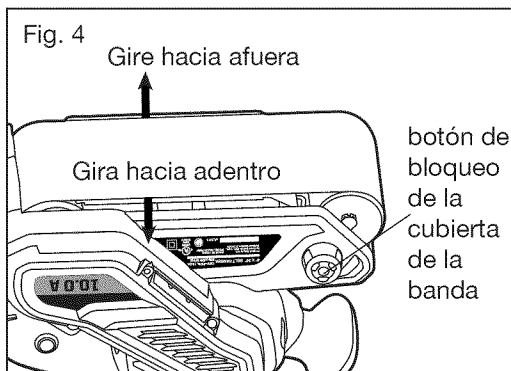
CÓMO AJUSTAR LA BANDA (Fig. 4)

Cuando se instala una nueva banda de lijado, puede hacer falta ajustarla varias veces a medida que la banda se vuelve más flexible con el uso. La banda de lijado permanecerá centrada sobre los rodillos durante el uso cuando se ajuste la banda correctamente.

1. Sostenga la lijadora de banda en posición invertida, y luego enciéndala.

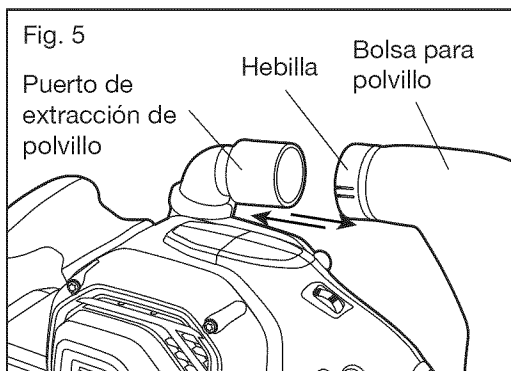
AVISO: Esta posición se utiliza solamente con el objetivo del ajuste. No deje que la banda de lijado entre en contacto con una pieza de trabajo o cualquier otro objeto durante el ajuste.

2. Si la banda de lijado gira hacia adentro en dirección de la perilla de ajuste de la banda, gire la perilla en sentido contrario a las agujas del reloj.
3. Si la banda de lijado gira hacia afuera, gire la perilla en sentido contrario a las agujas del reloj.



BOLSA PARA POLVILLO (Fig.5)

⚠ ADVERTENCIA: No utilice la bolsa para polvillo cuando lije metal. Utilizar la bolsa para polvillo cuando lija metal provoca un riesgo de incendio, lo que podría dañar la herramienta y generar lesiones personales graves. La lijadora cuenta con una bolsa para polvillo para ayudarlo a mantener el área de trabajo limpia. La bolsa para polvillo es ideal para trabajos más pequeños.



Para instalar:

1. Desconecte la lijadora de la fuente de energía
2. Alinee el puerto de extracción de polvillo con la salida de la bolsa de polvillo.
3. Presione la bolsa de polvillo dentro de la herramienta hasta que la hebilla de la bolsa de polvillo se trabe firmemente en el puerto de extracción de polvillo.

NOTA: De tanto en tanto, limpie el puerto de extracción de polvillo con un cepillo seco.

Para quitar:

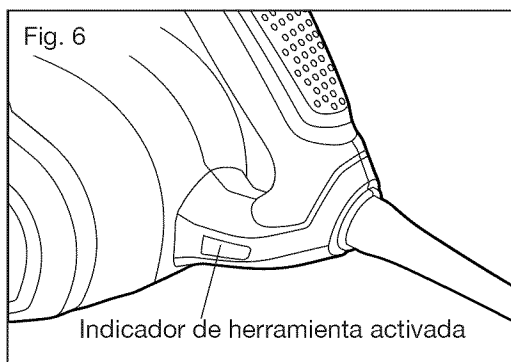
1. Desconecte la lijadora de la fuente de energía
2. Tome la bolsa para polvillo firmemente y quítela de la herramienta.

AVISO: Para períodos de uso más prolongados, o piezas de trabajo más grandes, se recomienda el uso de una aspiradora de limpieza adecuada. Coloque una manguera de vacío de 1-1/4 pulg. húmeda/seca al puerto de extracción de polvillo. Se recomienda el uso de una máscara para polvillo, ya que puede haber partículas residuales de polvillo en el aire.

⚠ ADVERTENCIA: El polvillo que se produce durante el lijado puede ser perjudicial para la salud, inflamable o explosivo. Se requieren medidas de seguridad adecuadas. Ejemplos: Algunas clases de polvillo pueden provocar cáncer. Siempre use una máscara para polvillo y utilice el método adecuado de recolección de polvillo: La bolsa para polvillo para un volumen pequeño y la conexión de vacío para una recolección de polvillo de un volumen mayor.

LUZ INDICADORA DE HERRAMIENTA ACTIVADA

La lijadora de banda cuenta con un indicador de herramienta activada (Fig. 6). Cuando la herramienta se enchufa al suministro eléctrico, el indicador de luz verde de herramienta activada se enciende para recordarle que la herramienta se halla enchufada. Cuando se desenchufa la herramienta, el indicador de herramienta activada se apaga.



CÓMO ELEGIR EL GRANO CORRECTO DE BANDA DE LIJADO

Pueden adquirirse diferentes grados de banda de lijado en la tienda donde compró la herramienta. Los grados disponibles son: Grueso, medio y fino.

Puede comprar banda de lijado de diferentes granos desde la tienda, igualmente la tienda comprar herramientas. Granos de la disponibilidad: Grueso, Medio y Fino.

Utilice un grano grueso para lijar trabajos ásperos, un grano medio para alisar el trabajo y un grano fino para el acabado final.

Es mejor realizar una prueba sobre una pieza de material de descarte para determinar los grados óptimos de banda de lija para un trabajo determinado.

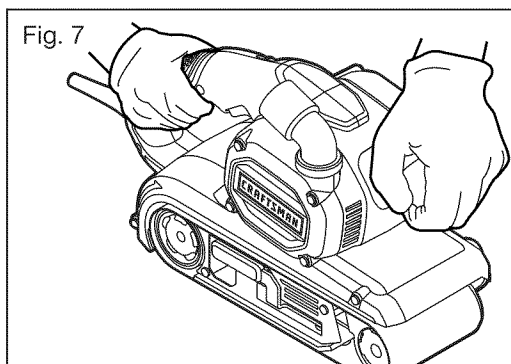
LIJADO

Esta lijadora puede utilizarse sobre materiales tales como madera, plástico, metal y superficies pintadas. No utilice la lijadora para lijado húmedo.

⚠ ADVERTENCIA: El lijado de acabado puede producir nubes de polvillo fino que pueden encenderse en presencia de chispas o una llama abierta. Para evitar lesiones, siempre utilice su lijadora en una área bien ventilada, alejada de chispas y llamas.

⚠ ADVERTENCIA: Antes de lijar, asegúrese de que la banda de lijado se encuentre bien instalada en su lugar.

1. Fije la pieza de trabajo con abrazaderas u otros medios para evitar su desplazamiento mientras trabaja.
2. No fuerce la herramienta. Una presión excesiva sobrecarga el motor, lo que posiblemente daña el motor por sobrecalentamiento y puede provocar un trabajo de calidad inferior.
3. No deje la lijadora en un lugar determinado por demasiado tiempo, ya que la acción rápida de la lijadora puede remover demasiado material y dejar despereja la superficie.
4. Sostenga la lijadora con ambas manos firmemente de las manijas (Fig. 7).
5. Accione la lijadora mientras no se halle sobre la superficie de trabajo para evitar la formación de hendiduras.
6. Baje la lijadora en forma gradual sobre la pieza de trabajo con un ligero movimiento hacia adelante. Desplácela lentamente, con movimientos de avance y retroceso.



7. Cuando se detenga, levante la lijadora de la superficie antes de detener la herramienta.

AVISO: Asegúrese de que la banda no haga contacto con la pieza de trabajo antes de que se haya activado el interruptor de gatillo de encendido/apagado.

MANTENIMIENTO

▲ ADVERTENCIA: Para evitar una lesión personal grave, siempre quite el paquete de baterías de la herramienta cuando la limpie o realice alguna clase de mantenimiento.

▲ ADVERTENCIA: Siempre utilice gafas de seguridad con protecciones laterales cuando utilice aire comprimido para limpiar la herramienta. Si durante la operación se genera mucho polvo, también use una máscara antipolvo.

CEPILLOS REEMPLAZAR (Fig. 8)

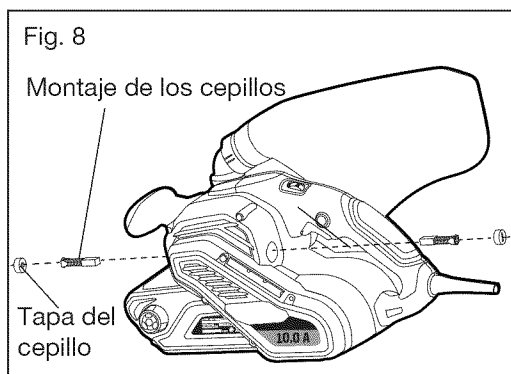
La lijadora de banda se encuentra equipada con cepillos de acceso externo.

Para reemplazar:

1. Desconecte la lijadora de banda de la fuente de energía.
2. Utilice un destornillador ranurado (disponible por separado) para girar la tapa del cepillo en sentido contrario a las agujas del reloj y quitarlo.
3. Quite el montaje de los cepillos.

AVISO: El cepillo de carbón debe cambiarse cuando tenga una longitud menor a 1/4 pulg. Siempre cambie ambos cepillos cuando deba reemplazar uno.

4. Reemplace con un nuevo montaje de cepillos. Verifique que la curvatura del cepillo se ajuste a la curvatura del motor, que el cepillo se mueva libremente en el tubo del cepillo, y que las dos "orejas" metálicas entren en el tubo del cepillo.
5. Ajuste bien todas la cubierta de los cepillos. No ajuste de más. La lijadora debe poder "CORRER" (funcionar sin carga y sin banda de lijado) durante 5 minutos antes del uso, para que los nuevos cepillos se ajusten de manera adecuada.



MANTENIMIENTO GENERAL

Evite usar solventes cuando limpie piezas plásticas. La mayoría de los plásticos son susceptibles a daños por parte de varios tipos de solventes comerciales y pueden dañarse por su uso. Utilice paños para quitar suciedad, polvillo, aceite, grasa, etc.

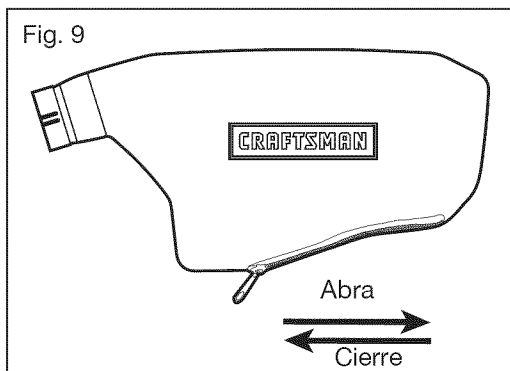
▲ ADVERTENCIA: No permita bajo ninguna circunstancia que líquido de frenos, gasolina, productos a base de petróleo, aceites penetrantes, etc. entren en contacto con las piezas plásticas. Los químicos pueden dañar, debilitar o destruir el plástico, lo que puede provocar una lesión personal grave.

▲ ADVERTENCIA: Cuando realice un mantenimiento, sólo utilice piezas de repuesto idénticas. El uso de otras piezas puede generar un riesgo o provocar daños al producto. Para garantizar la seguridad y la confiabilidad, todas las reparaciones deben ser efectuadas por un técnico calificado.

CÓMO LIMPIAR LA BOLSA PARA POLVILLO (Fig. 9)

Para lograr un funcionamiento más eficiente, vacíe la bolsa para polvillo cuando no haya pasado la mitad de su capacidad. Esto permitirá que el aire fluya mejor a través de la bolsa.

Siempre vacíe y limpie bien la bolsa para polvillo cuando haya finalizado el lijado y antes de guardar la lijadora.



Para vaciar la bolsa para polvillo

1. Desenchufe la lijadora.
2. Quite la bolsa para polvillo de la lijadora y elimine el polvillo.
3. Abra la bolsa de polvillo y sacuda el polvillo.
4. Cierre la bolsa y vuelva a instalarla en la lijadora.

▲ ADVERTENCIA: El polvillo generado por el lijado de superficies con revestimientos tales como poliuretanos, aceite de linaza, etc. puede encenderse en el interior de la bolsa para polvillo o en otro sitio y provocar un incendio. Para reducir el riesgo de incendio, siempre vacíe la bolsa para polvillo en forma frecuente mientras realiza el lijado y nunca almacene o guarde la lijadora sin haber vaciado por completo la bolsa para polvillo. También siga las recomendaciones del fabricante de revestimientos.

IDENTIFICACIÓN Y SOLUCIÓN DE PROBLEMAS

PROBLEMA	CAUSA	SOLUCIÓN
La lijadora no funciona	La lijadora no se encuentra enchufada en una fuente de energía	Enchufe la lijadora fuente de energía
	La banda impulsora está rota	Haga que un técnico calificado reemplace la banda
La banda de lijado no está centrada sobre los rodillos durante el uso	La banda de lijado no está ajustada correctamente	Ajuste la banda de lijado (ver "CÓMO AJUSTAR LA BANDA")
	El banda de lija está gastado	Coloque banda de lija nuevo

NOTICE

NOTICE

NOTICE

CRAFTSMAN®

Product questions or problems?

1-888-331-4569

Customer Care Hot Line

**Get answers to questions, troubleshoot problems,
order parts, or schedule repair service.**

Para respuestas a preguntas o problemas, y ordenar
piezas o pedir servicio para la reparación de su equipo.

To help us help you, register your product at www.craftsman.com/registration

Para poderte ayudar mejor, registra tu producto en www.craftsman.com/registration

Join the Craftsman Club today!

CRAFTSMAN® CLUB

www.craftsman.com/signup

**Receive exclusive member benefits including special pricing and offers,
project sharing, expert advice, and SHOP YOUR WAY REWARDS!**

Como miembro exclusivo, recibe diversos beneficios como ofertas, precios especiales, proyectos nuevos, consejos de expertos y nuestro programa de puntos SHOP YOUR WAY REWARDS!

® Registered Trademark / ™ Trademark of KCD IP, LLC in the United States, or Sears Brands, LLC in other countries
® Marca Registrada / ™ Marca de Fábrica de KCD IP, LLC en Estados Unidos, o Sears Brands, LLC in otros países