

Operator's Manual



2 x 42" Belt
6" Disc
SANDER

Model No.
351.215131

Sears, Roebuck and Co., Hoffman Estates, IL 60179 U.S.A.

www.sears.com/craftsman

24686.00 Draft (06/20/06)

SAFETY

ASSEMBLY

OPERATION

MAINTENANCE

PARTS LIST

ESPAÑOL

TABLE OF CONTENTS

Warranty	2
Safety Rules	2-3
Unpacking	3
Assembly	3-4
Installation	4-5
Operation	5-8
Maintenance	8-9
Troubleshooting	10
Parts Illustration and List	12-13
Español	14-22

WARRANTY

ONE-YEAR FULL WARRANTY ON CRAFTSMAN TOOL

If this Craftsman tool fails due to a defect in material or workmanship within one year from the date of purchase CALL 1-800-4-MY-HOME® TO ARRANGE FOR FREE REPAIR (or replacement if repair proves impossible).

If this tool is used for commercial or rental purposes, this warranty will apply for only ninety days from the date of purchase.

This warranty applies only while this tool is in the United States.

This warranty gives you specific legal rights and you may also have other rights, which vary, from state to state.

Sears, Roebuck and Co., Hoffman Estates, IL 60179

SAFETY RULES

WARNING: For your own safety, read all of the instructions and precautions before operating tool.

CAUTION: Always follow proper operating procedures as defined in this manual even if you are familiar with use of this or similar tools. Remember that being careless for even a fraction of a second can result in severe personal injury.

BE PREPARED FOR JOB

- Wear proper apparel. Do not wear loose clothing, gloves, neckties, rings, bracelets or other jewelry which may get caught in moving parts of machine.
- Wear protective hair covering to contain long hair.
- Wear safety shoes with non-slip soles.
- Wear safety glasses complying with United States ANSI Z87.1. Everyday glasses have only impact resistant lenses. They are **NOT** safety glasses.
- Wear face mask or dust mask if operation is dusty.
- Be alert and think clearly. Never operate power tools when tired, intoxicated or when taking medications that cause drowsiness.

PREPARE WORK AREA FOR JOB

- Keep work area clean. Cluttered work areas invite accidents.
- Do not use power tools in dangerous environments. Do not use power tools in damp or wet locations. Do not expose power tools to rain.
- Work area should be properly lighted.
- Proper electrical receptacle should be available for tool. Three-prong plug should be plugged directly into properly grounded, three-prong receptacle.
- Extension cords should have a grounding prong and the three wires of the extension cord should be of the correct gauge.
- Keep visitors at a safe distance from work area.
- Keep children out of workplace. Make workshop childproof. Use padlocks, master switches or remove switch keys to prevent any unintentional use of power tools.

TOOL SHOULD BE MAINTAINED

- Always unplug tool prior to inspection.
- Consult manual for specific maintaining and adjusting procedures.
- Keep tool lubricated and clean for safest operation.
- Remove adjusting tools. Form habit of checking to see that adjusting tools are removed before switching machine on.
- Keep all parts in working order. Check to determine that the guard or other parts will operate properly and perform their intended function.
- Check for damaged parts. Check for alignment of moving parts, binding, breakage, mounting and any other condition that may affect a tool's operation.
- A guard or other part that is damaged should be properly repaired or replaced. Do not perform makeshift repairs. (Use parts list provided to order replacement parts.)

KNOW HOW TO USE TOOL

- Use right tool for job. Do not force tool or attachment to do a job for which it was not designed.
- Disconnect tool when changing belt or abrasive disc.
- Avoid accidental start-up. Make sure that the switch is in the "OFF" position before plugging in.
- Do not force tool. It will work most efficiently at the rate for which it was designed.
- Keep hands away from moving parts and sanding surfaces.
- Never leave tool running unattended. Turn the power off and do not leave tool until it comes to a complete stop.
- Do not overreach. Keep proper footing and balance.
- Never stand on tool. Serious injury could occur if tool is tipped or if belt or disc are unintentionally contacted.
- Know your tool. Learn the tool's operation, application and specific limitations.

- Use recommended accessories (refer to page 13). Use of improper accessories may cause risk of injury to persons.
- Handle workpiece correctly. Protect hands from possible injury.
- Turn machine off if it jams. Belt jams when it digs too deeply into workpiece. (Motor force keeps it stuck in the work.)
- Support workpiece with miter gauge, belt platen, work stop or work table.
- Maintain $\frac{1}{16}$ " maximum clearance between table and sanding belt or disc.

CAUTION: Think safety! Safety is a combination of operator common sense and alertness at all times when tool is being used.

WARNING: Do not attempt to operate tool until it is completely assembled according to the instructions.

UNPACKING

Refer to Figure 1.

Check for shipping damage. If damage has occurred, a claim must be filed with the carrier for fastest action.

Parts which need to be fastened to the unit should be located and accounted for:

- A Disc Table
- B Abrasive Disc
- C Miter Gauge Assembly
- D Belt Table

Parts bag (Part No. 24714.00) includes: horizontal stop bar, work stop, two knobs, two pointers, one 10-1.5 x 25mm socket head bolt, two 4-0.7 x 8mm socket head bolts, one 10mm lock washer, one 10mm flat washer, one 8mm flat washer, two 6mm flat washers, two 4 mm flat washers, one 8-1.25mm hex nut, one each 3, 5, 6, and 8mm hex wrenches and one extra long 4mm hex wrench.

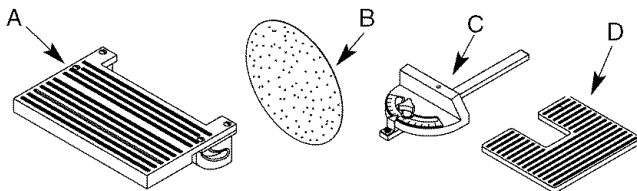


Figure 1 - Unpacking

ASSEMBLY

Refer to Figures 2 and 3.

CAUTION: Do not attempt assembly if parts are missing. Use operator's manual to order replacement parts.

ATTACH ABRASIVE DISC TO ALUMINUM DISC

Refer to Figure 2.

- Remove dust chute by loosening screws and bolts.
- Remove the adhesive cover from the back of the abrasive disc.

- Center abrasive on aluminum disc and press to paste.
- Make sure abrasive is pasted evenly on the aluminum disc.
- Replace dust chute

ATTACH DISC TABLE

Refer to Figure 2.

- Set the disc table at right angle to the aluminum disc and secure the table position using two knobs and flat washers. Be sure that the gap between abrasive disc and disc table is $\frac{1}{16}$ " or less.
- Attach pointers to sides of dust chute using 4-0.7 x 8mm socket head bolts from hardware bag. Adjust pointers to zero mark on trunnion and tighten bolts.

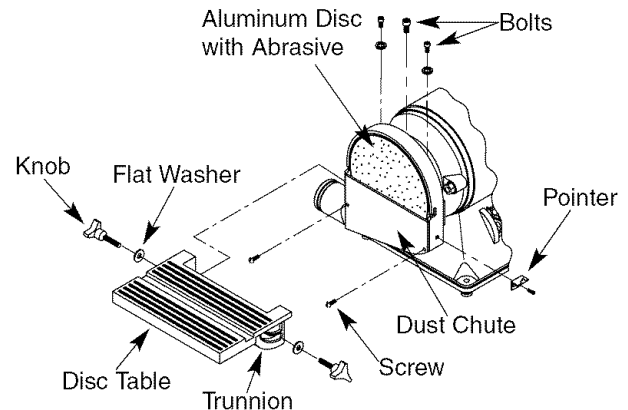


Figure 2 - Secure Disc Table and Aluminum Disc

ATTACH BELT TABLE

Refer to Figure 3.

- Attach belt table to left side of belt housing using the socket head bolt, flat washer and lock washer from the hardware bag.
- Set the belt table at right angle to the belt.
- Be sure that gap between belt table and belt is $\frac{1}{16}$ " or less.
- Tighten socket head bolt to secure belt table position.

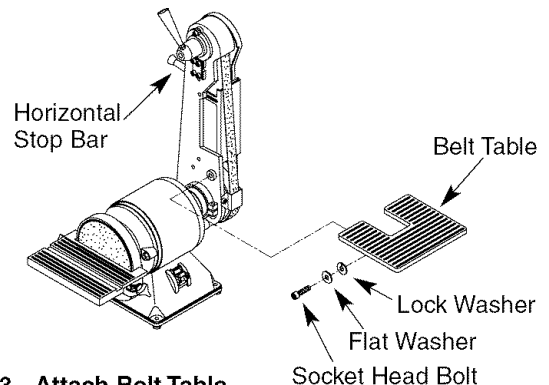


Figure 3 - Attach Belt Table

ATTACH HORIZONTAL STOP

Refer to Figure 3.

A horizontal stop bar with nut is provided as a positive stop when using the sander with the belt housing adjusted to a horizontal position. To attach stop bar:

- Thread the horizontal stop bar into the threaded hole on the rear side of belt housing.
- Tighten hex nut.

INSTALLATION

Refer to Figures 4, 5 and 6, pages 4 and 5.

POWER SOURCE

WARNING: Do not connect sander to the power source until all assembly steps have been completed.

The motor is designed for operation on the voltage and frequency specified. Normal loads will be handled safely on voltages not more than 10% above or below specified voltage. Running the unit on voltages which are not within range may cause overheating and motor burn-out. Heavy loads require that voltage at motor terminals be no less than the voltage specified on nameplate.

- Power supply to the motor is controlled by a single pole locking rocker switch. Remove the key to prevent unauthorized use.

GROUNDING INSTRUCTIONS

WARNING: Improper connection of equipment grounding conductor can result in the risk of electrical shock. Equipment should be grounded while in use to protect operator from electrical shock.

- Check with a qualified electrician if grounding instructions are not understood or if in doubt as to whether the tool is properly grounded.
- This tool is equipped with an approved 3-conductor cord rated at 300V and a 3-prong grounding type plug (see Figure 4) for your protection against shock hazards.
- Grounding plug should be plugged directly into a properly installed and grounded 3-prong grounding-type receptacle, as shown (Figure 4).

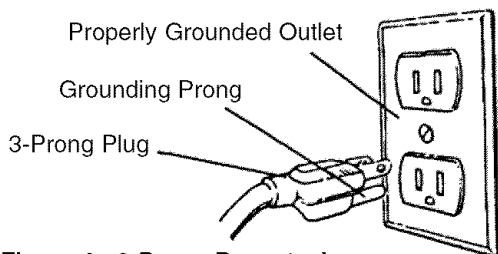


Figure 4 - 3-Prong Receptacle

- Do not remove or alter grounding prong in any manner. In the event of a malfunction or breakdown, grounding provides a path of least resistance for electrical shock.

WARNING: Do not permit fingers to touch the terminals of plug when installing or removing from outlet.

- Plug must be plugged into matching outlet that is properly installed and grounded in accordance with all local codes and ordinances. Do not modify plug provided. If it will not fit in outlet, have proper outlet installed by a qualified electrician.

- Inspect tool cords periodically, and if damaged, have repaired by an authorized service facility.
- Green (or green and yellow) conductor in cord is the grounding wire. If repair or replacement of the electric cord or plug is necessary, do not connect the green (or green and yellow) wire to a live terminal.
- Where a 2-prong wall receptacle is encountered, it must be replaced with a properly grounded 3-prong receptacle installed in accordance with National Electric Code and local codes and ordinances.

WARNING: This work should be performed by a qualified electrician.

A temporary 3-prong to 2-prong grounding adapter (see Figure 5) is available for connecting plugs to a two pole outlet if it is properly grounded.

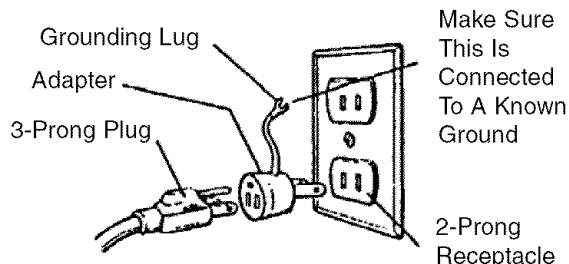


Figure 5 - 2-Prong Receptacle with Adapter

- Do not use a 3-prong to 2-prong grounding adapter unless permitted by local and national codes and ordinances.

(A 3-prong to 2-prong grounding adapter is not permitted in Canada.) Where permitted, the rigid green tab or terminal on the side of the adapter must be securely connected to a permanent electrical ground such as a properly grounded water pipe, a properly grounded outlet box or a properly grounded wire system.

- Many cover plate screws, water pipes and outlet boxes are not properly grounded. To ensure proper ground, grounding means must be tested by a qualified electrician.

EXTENSION CORDS

- The use of any extension cord will cause some drop in voltage and loss of power.
- Wires of the extension cord must be of sufficient size to carry the current and maintain adequate voltage.
- Use the table to determine the minimum wire size (A.W.G.) extension cord.
- Use only 3-wire extension cords having 3-prong grounding type plugs and 3-pole receptacles which accept the tool plug.
- If the extension cord is worn, cut, or damaged in any way, replace it immediately.

Extension Cord Length

Wire Size.....	A.W.G.
Up to 25 ft.....	18
25 to 50 ft.....	16

NOTE: Using extension cords over 50 ft. long is not recommended.

MOTOR

The sander is assembled with motor and wiring installed as an integral part of the tool. The electrical wiring schematic is shown in Figure 6.

The permanently split capacitor motor has the following specifications:

Horsepower (Continuous Duty)	1/3
Voltage	120
Amps	3.5
Hertz	60
Phase	Single
RPM	3500
Rotation (viewed from left side)	Clockwise

ELECTRICAL CONNECTIONS

WARNING: All electrical connections must be performed by a qualified electrician. Make sure tool is off and disconnected from power source while motor is mounted, connected, reconnected or anytime wiring is inspected.

Motor and wires are installed as shown in wiring diagram (See Figure 6). Motor is assembled with approved, 3-conductor cord to be used at 120 volts. Motor is prewired at the factory for 120 volts.

The power lines are inserted directly onto the switch. The green ground line must remain securely fastened to the frame to properly protect against electrical shock. The power supply to the motor is controlled by a single pole locking rocker switch.

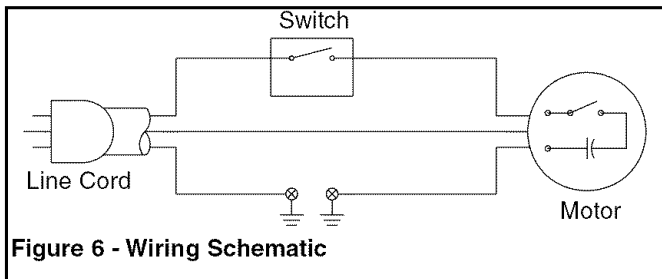


Figure 6 - Wiring Schematic

- Remove the key to prevent unauthorized use.

OPERATION

Refer to Figures 7-15.

DESCRIPTION

Craftsman 2 x 6" Belt and Disc Sander has a 2" x 42" belt and 6" disc for deburring, beveling and sanding wood, plastic and metal. The sander has a fan-cooled 1/3 HP continuous duty motor. Belt speed is 4400 FPM and the disc rotates 3500 RPM. The belt table tilts 0 to 90° and the disc table tilts 0 to 45° for angle sanding. The quick release tension and tracking mechanism makes belt changing quick and easy. Belt platen is removable for contour sanding. Belt housing swivels from vertical to horizontal for sanding large workpieces. Disc guard has 1 1/2" dust collection chute.

SPECIFICATIONS

Belt size	2 x 42", 80 grit
Belt platen area	2 x 7 1/4"
Belt table dimensions	9 x 6 3/4"
Belt table tilts	0 to 90°
Belt speed	4400 FPM
Disc diameter	6"
Disc table dimensions	8 3/16 x 5 7/16"
Disc table tilts	0 to 45°
Disc dust chute diameter	1 1/2"
Disc speed	3500 RPM
Base dimensions	9 1/16 x 8 9/32"
Switch	SP, Locking rocker
Weight	30.2 lbs

WARNING: Operation of any power tool can result in foreign objects being thrown into the eyes, which can result in severe eye damage. Always wear safety goggles complying with United States ANSI Z87.1 (shown on package) before commencing power tool operation. Safety goggles are available at Sears retail stores or catalog.

CAUTION: Always observe following safety precautions.

SAFETY PRECAUTIONS

- Whenever adjusting or replacing any parts on the tool, turn switch OFF and remove the plug from power source.
- Recheck table knobs. They must be tightened securely.
- Make sure all guards are properly attached. All guards should be securely fastened.
- Make sure all moving parts are free and clear of any interference.
- Make sure all fasteners are tight and have not vibrated loose.
- With power disconnected, test operation by hand for clearance and adjust if necessary.
- Always wear eye protection or face shield.
- Make sure abrasive belt always tracks properly. Correct tracking gives optimum performance.
- After turning switch on, always allow belt to come up to full speed before sanding or grinding.
- Be sure motor runs clockwise on disc side. Abrasive belt must travel down.
- Avoid kickback by sanding in accordance with the directional arrows.
- Keep your hands clear of abrasive belt, disc and all moving parts.
- For optimum performance, do not stall motor or reduce speed. Do not force the work into the abrasive.
- Support workpiece with belt table when sanding with belt, with disc table when sanding with disc.
- Never push a sharp corner of the workpiece rapidly against the belt or disc. Abrasive backing may tear.

- Replace abrasives when they become loaded (glazed) or frayed.
- When grinding metal, move workpiece across abrasive to prevent heat built up.
- Never attempt wet sanding. If the workpiece becomes too hot to handle, cool it in water.

WARNING: Some dust created by power sanding, sawing, grinding, drilling and other construction activities contains chemicals known to cause cancer, birth defects or other reproductive harm.

Some examples of these chemicals are:

- Lead from lead-based paints.
- Crystalline silica from bricks and cement and other masonry products.
- Arsenic and chromium from chemically-treated lumber.

Your risk from these exposures vary, depending on how often you do this type of work. To reduce your exposure to these chemicals: work in a well ventilated area and work with approved safety equipment. Always wear **OSHA/NIOSH** approved, properly fitting face mask or respirator when using such tools.

MOUNT SANDER

During operation the sander may have a tendency to slide or move about on the bench or table. It is recommended to mount the sander onto a stand (see "Recommended Accessories", page 13) or to a bench top.

ADJUSTING BELT TABLE

Refer to Figure 7.

WARNING: Disconnect sander from power source before making any adjustments.

- To adjust belt table angle, loosen the socket head bolt and adjust table to desired angle. Use a combination square to set belt table at 45° or 90° from belt platen.
- Adjust for 1/16" maximum clearance between the belt and the table.
- Secure table position by tightening bolt.

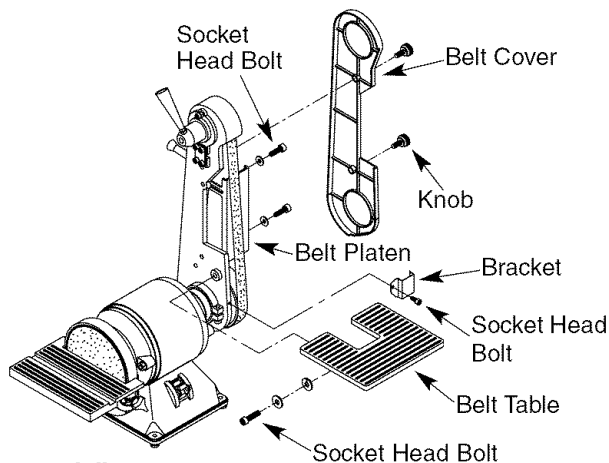


Figure 7 - Adjustments

REPLACING ABRASIVE BELT

Refer to Figures 7 and 8.

WARNING: Disconnect sander from power source before making any adjustments.

- Sanding belt should be replaced when worn, torn, or glazed.
- Loosen and remove two knobs from belt cover.
- Remove belt cover.
- Loosen and remove socket head bolt from bracket.
- Remove bracket.
- Loosen socket head bolt and move belt table parallel to belt.
- Release belt tension by pulling down on handle assembly. Slide old belt off the drive and tracking wheels.

NOTE: There may be an arrow on the inside of the belt. The arrow should point in the direction of belt travel to ensure that the splice in the belt will not come apart.

- Pull down on the handle and slide new belt over the drive and idler wheels. Center belt on wheels.
- Rotate belt by hand to check tracking. Belt should ride centered on wheels.
- If belt does not ride centered on wheels, adjust belt tracking as described in the next section.
- Replace belt cover and secure it with two knobs.
- Replace bracket and secure it with socket head bolt.
- Reset belt table to be at the desired angle, and secure it by tightening the bolt.

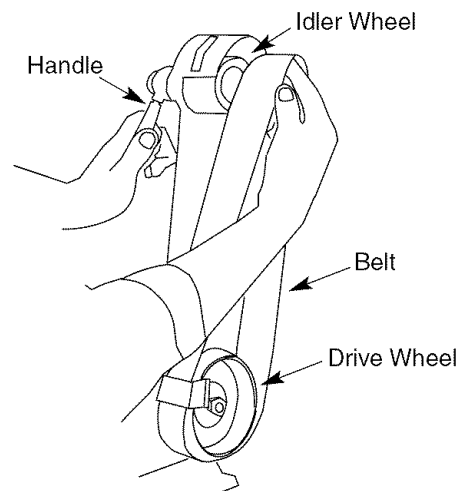


Figure 8 - Replace Abrasive Belt

TRACKING ABRASIVE BELT

Refer to Figure 9, page 7.

- Test the tracking. Plug in power cord. Turn switch ON and immediately OFF. If the abrasive belt is centered on wheels and did not move to the right or left, it is tracking properly. If the belt moved to the right or left, adjustment is necessary.
- To adjust the tracking wheel, loosen the locking nut on adjusting bolt. Use a 4mm hex wrench to turn adjusting bolt.

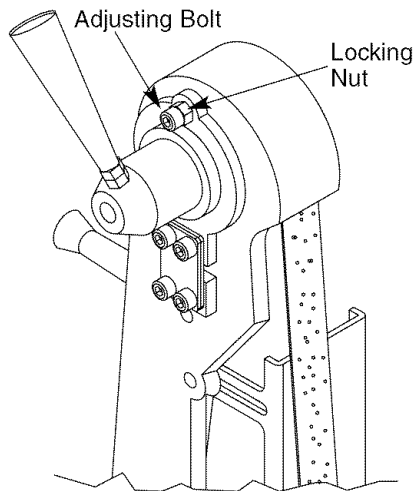


Figure 9 - Tracking Belt

- If the abrasive belt moves to the left, turn the bolt counterclockwise. If belt moves to the right, turn the bolt clockwise.
- Lock the position when the belt is tracking properly so the belt will remain centered on the wheels. Hold the position of the bolt with the 4mm hex wrench. Tighten locking nut to secure bolt position.

ADJUSTING BELT PLATEN

Refer to Figure 7.

WARNING: Disconnect sander from power source before making any adjustments.

The platen is used to properly support the workpiece when sanding. The platen is constructed of heavy steel to provide adequate support.

Operating with the belt platen in place will allow the operator to sand or grind straight, even lines.

- The platen should be adjusted so the belt does not contact the platen until work is fed into the belt.
- To adjust belt platen, loosen and remove knobs to remove belt cover.
- Loosen socket head bolts and adjust belt platen position.
- Tighten bolts and secure platen.
- Replace belt cover and tighten knobs.

ABRASIVE BELT FINISHING

- The abrasive belts can be used to sand wood, deburr metal, or polish plastic.
- The belt are most efficient when used with the table. The 2" belt size is convenient for getting into corners and concave curved edges. The 1" belt size is convenient for getting into tight spots.

CONTOUR SANDING

Refer to Figures 7 and 10.

- Belt platen can be removed for contour sanding.
- Remove knobs and belt cover.
- Remove socket head bolt and washers holding platen to belt housing. Remove belt platen.
- Replace belt cover and knobs.

Move the workpiece against belt. Belt will follow contour.

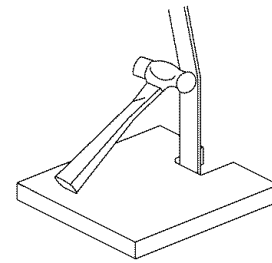


Figure 10 - Contour Sanding

SHARPENING

Refer to Figure 11.

- Adjust belt table to desired sharpening angle and tighten securely. Use belt sander to notch the back of an auxiliary piece of wood.
- Using a C-clamp, attach auxiliary piece of wood to table. It acts as a support while sharpening.
- Top edge of wood should be less than 1/16" from abrasive belt.

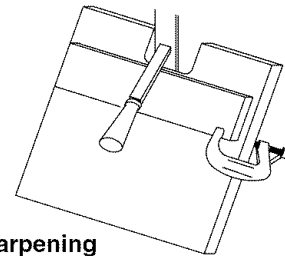


Figure 11 - Sharpening

HORIZONTAL BELT SANDING

Refer to Figures 12 and 13, page 8.

WARNING: Disconnect sander from power source before making any adjustments.

- The belt housing can be tilted to a horizontal position.
- Remove the belt table by removing the socket head bolt and flat washer.
- Loosen the housing lock bolt, tilt the belt housing to the horizontal position, and tighten the bolt to secure the housing position.
- The drive wheel of the belt can be used as a contact wheel for sanding curved surfaces.

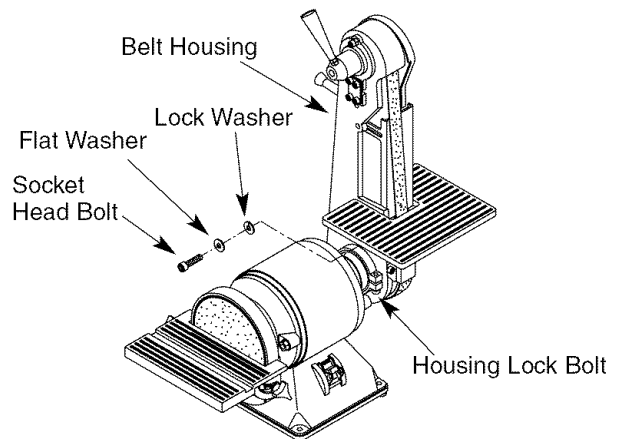


Figure 12 - Adjusting Belt Housing

- A work stop with nut is provided to be used when straight sanding in the horizontal position.
- Remove socket head bolt and washers holding belt table on sander. Remove belt table.
- Mount work stop to sander using the socket head bolt and washers.
- Use a combination square to adjust the work stop at 90° to the belt with a 1/16" maximum gap between the belt and work stop.
- Use the work stop to position and stabilize work-piece. Keep end butted against work stop and move workpiece evenly across abrasive belt.

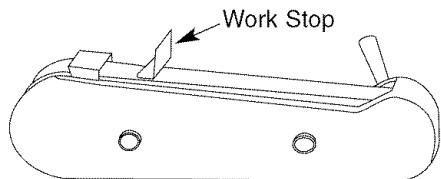


Figure 13 - Attaching Work Stop

- Use extra caution when finishing very thin pieces.
- Remove work stop for finishing long pieces.

ADJUSTING DISC TABLE ANGLE

Refer to Figure 2.

WARNING: Disconnect sander from power source before making any adjustments.

Disc table is adjustable from 0 to 45° for beveled work.

- To adjust the disc table, loosen the two knobs and adjust to the desired angle.
- Use the scale on disc table trunnions to set table from 0 to 45° to abrasive disc.
- When disc table is at desired angle, lock it into position by securely tightening the knobs.

REPLACING ABRASIVE DISC

Refer to Figure 2.

WARNING: Disconnect sander from power source before making any adjustments.

- Loosen and remove two knobs.
- Gently press down on disc table and slide out disc table.
- Remove old abrasive disc by peeling it from aluminum disc. Removing aluminum disc from motor shaft is not necessary.
- Clean aluminum disc if necessary. Select the proper abrasive disc and apply to aluminum disc.
- Additional abrasive discs are available (see Recommended Accessories, page 13).
- Replace disc table and tighten knobs.

ABRASIVE DISC FINISHING

Refer to Figure 14.

- Abrasive disc sanding is well suited for finishing small flat surfaces and convex edges.

- Move the workpiece across the down side (right) of the abrasive disc. The abrasive disc moves fastest and removes more material at the outer edge.
- For accuracy, use the miter gauge.

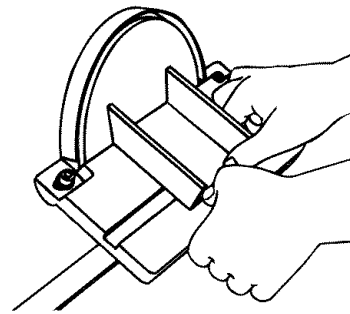


Figure 14 - Abrasive Disc Finishing

USING MITER GAUGE

Refer to Figure 15.

- The miter gauge is used only on the disc table. Use the miter gauge for securing work and holding the proper angle while disc sanding.
- Adjust the angle by repositioning the miter gauge scale and locking it into place with knob.
- Check the accuracy of the miter gauge. Use a combination square to adjust the miter gauge square to the disc. Loosen screw and reposition indicator if necessary.

MAINTENANCE

WARNING: Make certain that unit is disconnected from power source before attempting to service or remove any component.

CLEANING

Keep machine and workshop clean. Do not allow sawdust to accumulate on the tool. Keep wheels clean. Dirt on wheels will cause poor tracking and belt slippage. Operate tool with dust collector to keep dust from accumulating.

WARNING: After sanding wood or nonmetallic material, always clean area of sawdust before grinding metal. Sparks could ignite debris and cause a fire.

Be certain motor is kept clean and is frequently vacuumed free of dust.

Use soap and water to clean painted parts, rubber parts and plastic guards.

LUBRICATION

The shielded ball bearings in this sander are permanently lubricated at the factory. They require no further lubrication.

- When operation seems stiff, a light coat of automobile-type wax applied to the belt table and disc table will make it easier to feed the work while finishing.
- Do not apply wax to the belt platen. Belt could pick up wax and deposit it on wheels causing belt to slip.

KEEP TOOL IN REPAIR

- If power cord is worn, cut, or damaged in any way, have it replaced immediately.
- Replace worn abrasives when needed.
- Replace any damaged or missing parts. Use parts list to order parts.

Any attempt to repair motor may create a hazard unless repair is done by a qualified service technician. Repair service is available at your nearest Sears store.

TROUBLESHOOTING

SYMPTOM	POSSIBLE CAUSE(S)	CORRECTIVE ACTION
Motor will not start	<ol style="list-style-type: none"> 1. Low voltage 2. Open circuit in motor or loose connections 3. Defective switch 4. Defective capacitor 	<ol style="list-style-type: none"> 1. Check power line for proper voltage 2. Inspect all lead connections on motor for loose or open connection 3. Replace switch 4. Replace capacitor
Motor will not start; fuses blown or circuit breakers are tripped	<ol style="list-style-type: none"> 1. Short circuit in line cord or plug 2. Short circuit in motor or loose connections 3. Incorrect fuses or circuit breakers in power line 	<ol style="list-style-type: none"> 1. Inspect line cord or plug for damaged insulation and shorted wires 2. Inspect all lead connections on motor for loose or shorted terminals or worn insulation on wires 3. Install correct fuses or circuit breakers
Motor fails to develop full power (power output of motor decreases rapidly with decrease in voltage at motor terminals)	<ol style="list-style-type: none"> 1. Power line overloaded with lights, appliances and other motors 2. Undersize wires or circuits too long 3. General overloading of power company's facilities 	<ol style="list-style-type: none"> 1. Reduce the load on the power line 2. Increase wire sizes, or reduce length of wiring 3. Request a voltage check from the power company
Motor overheats	<ol style="list-style-type: none"> 1. Motor overloaded 2. Defective belt 	<ol style="list-style-type: none"> 1. Reduce load on motor 2. Replace belt
Motor stalls (resulting in blown fuses or tripped circuit breakers)	<ol style="list-style-type: none"> 1. Short circuit in motor or loose connections 2. Low voltage 3. Incorrect fuses or circuit breakers in power line 4. Motor overloaded 5. Defective belt 	<ol style="list-style-type: none"> 1. Inspect connections in motor for loose or shorted terminals or worn insulation on lead wires 2. Correct the low line voltage conditions 3. Install correct fuses or circuit breakers 4. Reduce load on motor 5. Replace belt
Machine slows down while operating	Applying too much pressure to workpiece	Ease up on pressure
Abrasive belt runs off top wheel	<ol style="list-style-type: none"> 1. Not tracking properly 2. Defective belt 3. Belt housing not set properly 	<ol style="list-style-type: none"> 1. See operation section "Tracking Abrasive Belt" 2. Replace belt 3. Adjust housing lock bolt, see Operation section, "Horizontal Belt Sanding"

Model 351.215130

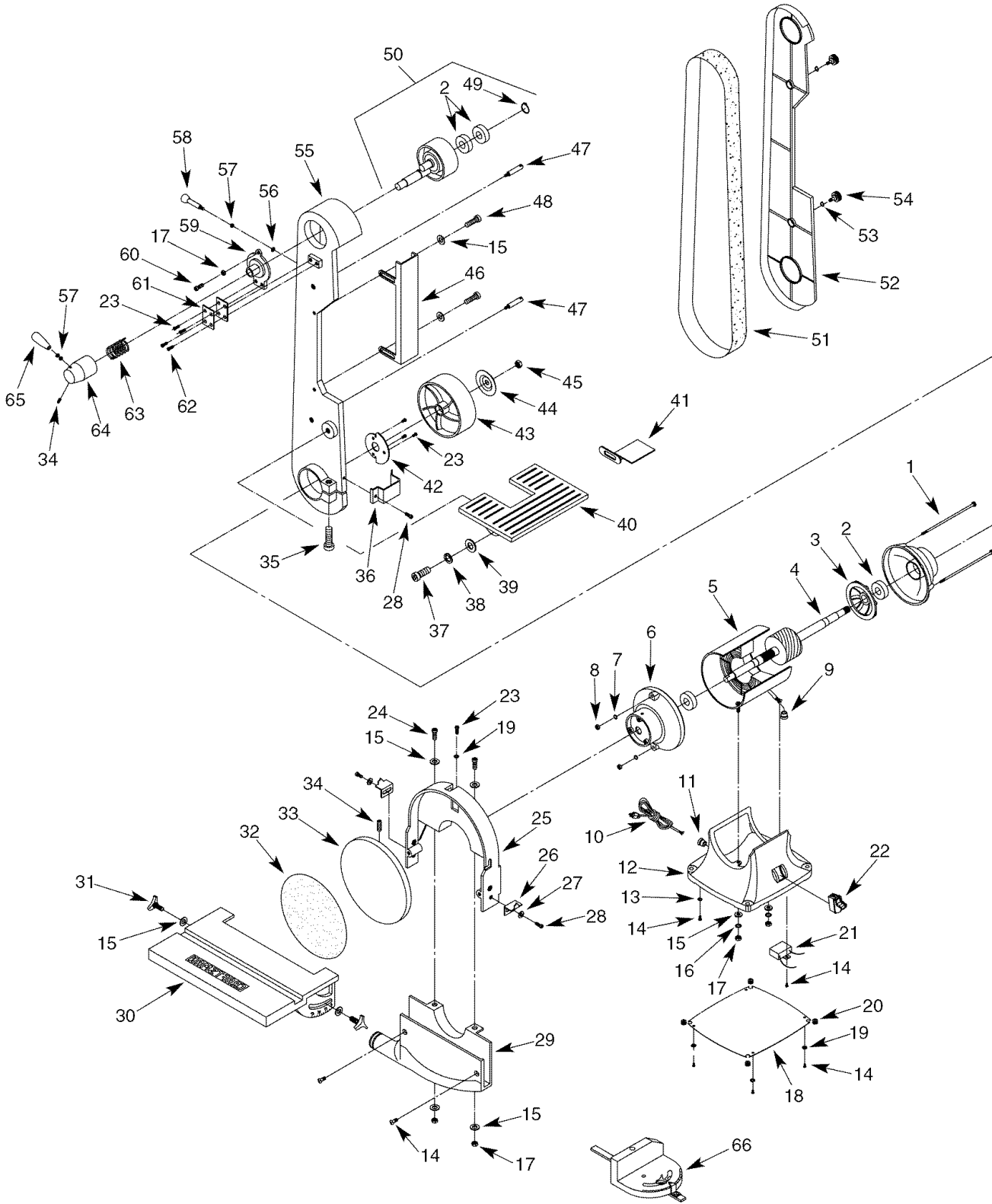


Figure 15 - Replacement Parts Illustration for Sander

REPLACEMENT PARTS LIST FOR SANDER

KEY NO.	PART NO.	DESCRIPTION	QTY.
1	08425.00	Thru Bolt	2
2	STD315225	Bearing 6202ZZ*	4
3	24677.00	Motor Fan	1
4	24678.00	Armature	1
5	24679.00	Stator with Housing	1
6	21479.00	Endshield	2
7	STD852005	5mm Lock Washer*	2
8	STD840508	5-0.8mm Hex Nut*	2
9	01066.00	Grommet	1
10	00067.00	Line Cord	1
11	04055.00	Strain Relief	1
12	24703.00	Base	1
13	01474.00	5mm Serrated Washer	1
14	STD863506	5-0.8 x 6mm Pan Head Screw*	8
15	STD851006	6mm Flat Washer*	10
16	STD852006	6mm Lock Washer*	2
17	STD840610	6-1.0mm Hex Nut*	5
18	16909.00	Base Cover	1
19	STD851005	5mm Flat Washer*	5
20	04051.00	Base Bumper	4
21	24680.00	Capacitor 30MFD	1
22	08066.00	Rocker Switch with Key	1
23	STD870510	5-0.8 x 10mm Socket Head Bolt*	3
24	STD870620	6-1.0 x 20mm Socket Head Bolt*	2
25	24704.00	Disc Guard	1
26	24705.00	Pointer	2
27	STD851004	4mm Flat Washer*	2
28	STD870408	4-0.7 x 8mm Socket Head Bolt*	3
29	24706.00	Dust Collection Chute	1
30	24707.00	Disc Table	1
31	04658.00	Knob	2
32	9-28313	Abrasive Disc	1
33	04657.00	Aluminum Disc	1
34	07202.00	8-1.25 x 10mm Set Screw	2
35	STD870830	8-1.25 x 30mm Socket Head Bolt*	1

KEY NO.	PART NO.	DESCRIPTION	QTY.
36	24708.00	Lower Belt Guard	1
37	01002.00	10-1.5 x 25mm Socket Head Bolt	1
38	STD852010	10mm Lock Washer*	1
39	STD851010	10mm Flat Washer*	1
40	04662.00	Belt Table	1
41	04660.00	Work Stop	1
42	03317.00	Stop Bracket	1
43	04661.00	Drive Wheel	1
44	24709.00	Wheel Flange	1
45	STD841217	12-1.75mm Hex Nut*	1
46	16632.00	Belt Platen	1
47	24710.00	Post	2
48	STD870610	6-1.0 x 12mm Socket Head Bolt*	2
49	00533.00	3AMI-15 Retaining Ring	1
50	24682.00	Tracking Wheel Assembly (incl. Key Nos. 2 & 49)	1
51	9-28481	Abrasive Belt	1
52	24711.00	Belt Cover	1
53	24683.00	3AMI-7 Retaining Ring	2
54	24684.00	Knob	2
55	24712.00	Belt Housing	1
56	STD851008	8mm Flat Washer*	1
57	STD840812	8-1.25mm Hex Nut*	2
58	04669.00	Horizontal Stop	1
59	24713.00	Tracking Bracket	1
60	STD870625	6-1.0 x 25mm Socket Head Bolt*	1
61	03327.01	Spring Plate	2
62	STD870516	5-0.8 x 16mm Socket Head Bolt*	2
63	04671.00	Tension Spring	1
64	04672.00	Spring Cap	1
65	04673.00	Handle Assembly (incl. Key No. 57)	1
66	07800.01	Miter Gauge Assembly	1
Δ	24714.00	Parts Bag	1
Δ	24686.00	Operator's Manual	1

* Standard hardware item available locally.

Δ Not Shown

Recommended Accessories		
Δ	Abrasive Belts 2 x 42" (Fine)	9-28480
Δ	Abrasive Belts 2 x 42" (Medium)	9-28481
Δ	Abrasive Belts 2 x 42" (Coarse)	9-28482
Δ	Abrasive Disc 6" (Assorted)	9-28973
Δ	Abrasive Belts 1 x 42" (Fine)	9-28409
Δ	Abrasive Belts 1 x 42" (Medium)	9-28410
Δ	Abrasive Belts 1 x 42" (Course)	9-28411
Δ	Abrasive Cleaner	9-28000
Δ	Multi-Purpose Tool Stand	9-2224

PARTS LIST

LIJADORA

Correa de 5,1 x 107 cm

Disco de 15,2 cm

Modelo No.
351.215131

PRECAUCION: Lea este manual y siga las Reglas de Seguridad y las Instrucciones de Operación, antes de usar este producto por primera vez.

CONTENIDO

Inglés	2-10
Ilustración y lista de partes	12-13
Garantía	14
Reglas de seguridad	14-15
Desempaquetado	15
Montaje	15-16
Instalación	16-17
Operación	17-20
Mantenimiento	20-21
Identificación de problemas	22

GARANTIA

GARANTIA COMPLETA DE UN AÑO PARA HERRAMIENTA CRAFTSMAN

Si esta herramienta Craftsman fallara por causa de defectos en el material o en la mano de obra en un lapso de un año a partir de la fecha de compra, LLAME a 1-800-4-MY-HOME® PARA SOLICITAR LA REPARACION GRATUITA DEL PRODUCTO (o el reemplazo si la reparación resulta imposible).

Si esta herramienta se usa para fines comerciales o de alquiler, esta garantía es válida únicamente por noventa días a partir de la fecha de compra.

Esta garantía aplica únicamente si la herramienta se encuentra en los Estados Unidos.

Esta garantía le otorga derechos legales específicos y también puede usted tener otros derechos que varíen de estado a estado.

Sears, Roebuck and Co., Hoffman Estates, IL 60179

REGLAS DE SEGURIDAD

ADVERTENCIA: Para su propia seguridad, lea todas las instrucciones y las precauciones antes de operar la herramienta.

PRECAUCION: Siempre siga los procedimientos de operación correctos, tal como se definen en este manual, aun cuando esté familiarizado con el uso de ésta o de otras herramientas similares. Recuerde que si no se tiene cuidado por aunque sea una fracción de un segundo, se pueden producir lesiones personales graves.

ESTE PREPARADO PARA EL TRABAJO

- Use ropa apropiada. No use ropa suelta, guantes, corbatas, anillos, pulseras u otras joyas que puedan quedar atrapadas en las partes móviles de la máquina.

- Use una cubierta protectora para el cabello, para sujetar el cabello largo.
- Use zapatos de seguridad con suelas antideslizantes.
- Use gafas de seguridad, que cumplan con ANSI Z87.1 de Estados Unidos. Los anteojos corrientes tienen solamente lentes resistentes al impacto. **NO** son anteojos de seguridad.
- Use una máscara para la cara o una máscara para el polvo, si la operación de lijado produce polvo.
- Esté alerta y piense claramente. Nunca opere herramientas mecánicas cuando esté cansado, intoxicado o cuando esté tomando medicamentos que causan somnolencia.

PREPARACION DEL AREA PARA EJECUTAR EL TRABAJO

- Mantenga el área limpia. Las áreas de trabajo desordenadas atraen accidentes.
- No use herramientas mecánicas en ambientes peligrosos. No use herramientas mecánicas en lugares húmedos o mojados. No exponga las herramientas mecánicas a la lluvia.
- El área de trabajo debe estar iluminada adecuadamente.
- Tiene que haber disponible un receptáculo eléctrico adecuado para la herramienta. El enchufe de tres puntas se tiene que enchufar directamente en un receptáculo de tres puntas conectado a tierra correctamente.
- Los cordones de extensión deben tener una punta de conexión a tierra y los tres alambres del cordón de extensión deben ser del calibre correcto.
- Mantenga a los visitantes a una distancia prudente del área de trabajo.
- Mantenga a los niños fuera del lugar de trabajo. Haga que su taller sea a prueba de niños. Use candados, interruptores principales o remueva las llaves del interruptor para evitar el uso no intencional de las herramientas mecánicas.

ES IMPORTANTE MANTENER LAS HERRAMIENTAS

- Desenchufe siempre la herramienta antes de inspeccionarla.
- Consulte el manual para informarse sobre los procedimientos de mantenimiento y ajuste específicos.
- Mantenga la herramienta lubricada y limpia, para obtener una operación más segura.
- Remueva las herramientas de ajuste. Fórmese el hábito de revisar para verificar si las herramientas de ajuste se han removido antes de encender la máquina.
- Mantenga todas las partes listas para funcionar. Revise para determinar que el protector u otras partes operarán correctamente y harán el trabajo para el que fueron diseñadas.
- Revise para verificar si hay partes dañadas. Revise para verificar el alineamiento de las partes móviles, si hay atascamiento, roturas y montaje o cualquier otra condición que pudiera afectar la operación de la herramienta.
- Si hay una protección o cualquier otra parte dañada, tiene que repararse correctamente o cambiarse. No haga reparaciones provisionales. (Use la lista de partes que viene incluida para ordenar las partes de repuesto.)

EL OPERADOR DEBE SABER COMO USAR LA HERRAMIENTA

- Use la herramienta correcta para el trabajo. No fuerce la herramienta, o el accesorio, ni los use para un trabajo para el cual no han sido diseñados.
- Desconecte la herramienta cuando cambie la correa o el disco abrasivo.

- Evite el arranque por accidente. Asegúrese que el interruptor de la herramienta está en la posición “apagado” (off) antes de enchufarla.
- No fuerce la herramienta. Trabjará en la forma más eficiente a la velocidad para la cual fue diseñada.
- Mantenga las manos alejadas de las partes móviles y de las superficies lijadoras.
- Nunca deje que una herramienta funcione sola. Desconéctela y no se vaya hasta que se detenga completamente.
- No trate de alcanzar demasiado lejos. Manténgase firme y equilibrado.
- Nunca se pare en la herramienta. Se pueden producir lesiones graves si la herramienta se inclina, o si se toca el disco o la correa por accidente.
- Conozca su herramienta. Aprenda la operación de la herramienta, aplicación y limitaciones específicas.
- Use los accesorios que se recomienda. (Refiérase a la página 13.) Si se usan accesorios incorrectos, se puede producir riesgo de lesiones personales.
- Deje las manos libres para operar la máquina. Protéjalas de posibles lesiones.
- Desconecte la máquina si se atasca. La cortadora se atasca cuando penetra demasiado profundamente en la pieza de trabajo. (La fuerza del motor la mantiene pegada a la pieza de trabajo.)
- Soporte la pieza de trabajo con la guía de ingletes, la platina de la correa, el tope del trabajo o la mesa de trabajo.
- Mantenga un espacio libre máximo de $\frac{1}{16}$ " entre la mesa y la correa, o el disco para lijar.

PRECAUCION: ¡Piense en la seguridad! La seguridad es una combinación de sentido común del operador y de estar alerta en todo momento cuando se está usando la herramienta.

ADVERTENCIA: No trate de operar la herramienta hasta que esté completamente montada según las instrucciones.

DESEMPAQUE

Refiérase a la Figura 1.

Revise si han ocurrido daños durante el transporte. Si han ocurrido daños, se tiene que presentar un reclamo a la compañía de transportes para que se tomen medidas rápidamente.

Es necesario encontrar y contar las partes que deben ajustarse a la unidad:

- A Conjunto de la mesa
- B Disco abrasivo
- C Conjunto de la guía de ingletes
- D Mesa de la correa

La bolsa de partes (No. de Parte 24714.00) incluye: barra de tope horizontal, tope funcional, dos manillas, dos indicadores, un perno de cabeza hueca de 10-1,50 x 25 mm, dos pernos de cabeza huecas de 4-0,7 x 8 mm, una arandela seguridad de 10 mm, una arandela plana de 10 mm, una arandela plana de 8 mm, dos arandelas planas de 6 mm, dos arandelas planas de 4 mm, una tuerca hexagonal de 8-1,25 mm, llaves hexagonales de 3, 5, 6 y 8 mm (una de cada una) y una llave hexagonal extra larga de 4 mm.

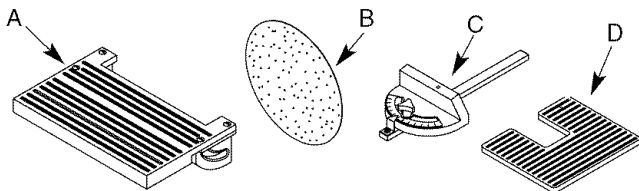


Figura 1 – Desempaque

MONTAJE

Refiérase a las Figuras 2 y 3.

PRECAUCION: No trate de montarla si hay partes que faltan. Use el manual del operador para ordenar las partes de repuesto.

INSTALACION DEL DISCO ABRASIVO EN EL DISCO DE ALUMINIO

Refiérase a la Figura 2.

- Retire el colector de polvo aflojando los tornillos y los pernos.
- Remueva la cubierta del material adhesivo en la parte posterior del disco abrasivo.
- Centre el disco abrasivo en el disco de aluminio y presione para pegarlo.
- Asegúrese de que el disco abrasivo esté pegado parejo en el disco de aluminio.
- Deslice e inserte el disco de aluminio con el disco abrasivo en el conjunto de la protección del disco y la mesa del disco.
- Reemplace el colector de polvo.

INSTALACION DE LA MESA DEL DISCO

Refiérase a las Figura 2.

- Coloque la mesa del disco en ángulo recto con el disco de aluminio y fije la posición de la mesa usando dos manillas y arandelas planas. Asegúrese de que la separación entre el disco abrasivo y la mesa del disco sea de $\frac{1}{16}$ " o menor.
- Instale los indicadores en los extremos del canal para polvo mediante los pernos de cabeza huecas de 4-0,7 x 8 mm incluido en la bolsa de artículos de ferretería. Ajuste los indicadores a la marca de cero en el muñón y apriete los pernos.

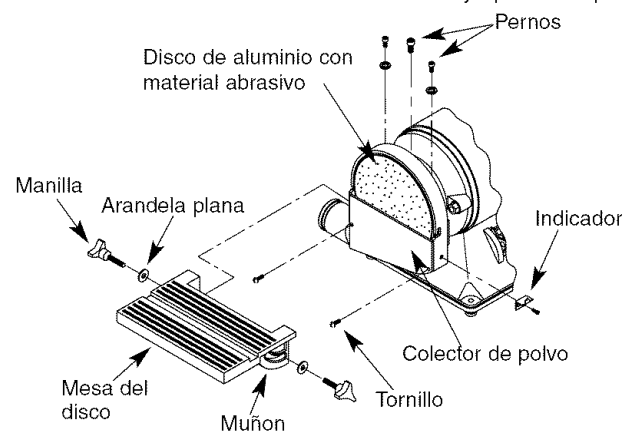


Figura 2 – Fijación de la mesa del disco y disco del aluminio

INSTALACION DE LA MESA DE LA CORREA

Refiérase a la Figura 3, página 14.

- Instale la mesa de la correa en el lado izquierdo de la caja de la correa, usando el perno de cabeza hueca, la arandela plana y la arandela seguridad proporcionados en la bolsa de partes y piezas.
- Coloque la mesa de la correa en ángulo recto con respecto a la correa.
- Asegúrese de que la separación entre la mesa de la correa y la correa sea de $\frac{1}{16}$ " o menor.
- Apriete el perno de cabeza hueca para fijar la posición de la mesa de la correa.

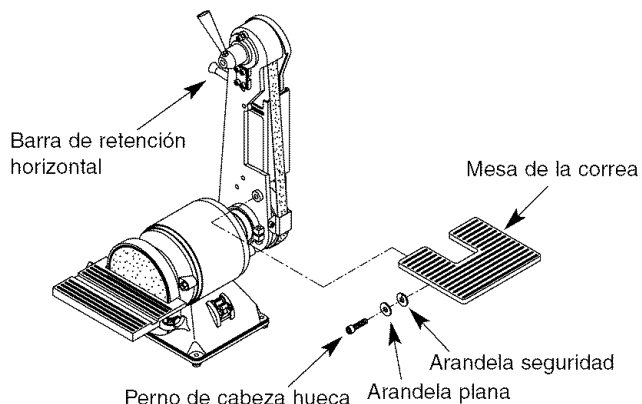


Figura 3 – Instalación de la mesa de la correa

INSTALACION DEL TOPE HORIZONTAL

Refiérase a la Figura 3.

Se incluye una barra de retención horizontal con tuerca como tope positivo cuando se utilice una lijadora con el alojamiento de la correa ajustado en la posición horizontal. Para instalar la barra de retención:

- Roscada la barra de tope horizontal en el orificio roscado en el lado posterior de la caja de la correa.
- Apriete la tuerca hexagonal.

INSTALACION

Refiérase a las Figuras 4, 5 y 6, páginas 16 y 17.

FUENTE DE ENERGIA

ADVERTENCIA: No conecte la lijadora a la fuente de energía sino hasta después de que se hayan completado todos los pasos del montaje.

El motor ha sido diseñado para operar con el voltaje y la frecuencia especificados. Las cargas normales se pueden manejar con seguridad con voltajes de no más de 10% por sobre o bajo del voltaje especificado. Si se hace funcionar la unidad con voltajes que no estén dentro de la gama, se puede producir un calentamiento excesivo y quemarse el motor. Las cargas pesadas exigen que el voltaje en los terminales del motor no sea menos que el voltaje especificado en la placa del motor.

- El abastecimiento de energía que va al motor está controlado con un interruptor oscilante, de enclavamiento, unipolar. Remueva la llave para impedir el uso no autorizado.

INSTRUCCIONES PARA LA CONEXION A TIERRA

ADVERTENCIA: Si se conecta incorrectamente el conductor de conexión a tierra del equipo, se puede producir un riesgo de choque eléctrico. El equipo debe estar conectado a tierra mientras se está usando, para proteger al operador contra un choque eléctrico.

- Si las instrucciones para la conexión a tierra no se entienden o si se tienen dudas de que la herramienta esté conectada a tierra correctamente, consulte a un electricista calificado.
- Esta herramienta viene equipada con un cordón de 3 conductores, aprobado, con capacidad de 300V y con un enchufe de 3 puntas del tipo de conexión a tierra (vea la Figura 4) para su protección en contra de los peligros de choque eléctrico.
- El enchufe de conexión a tierra se debe enchufar directamente en un receptáculo de conexión a tierra de 3 puntas, conectado a tierra e instalado correctamente, como se muestra (Figura 4).

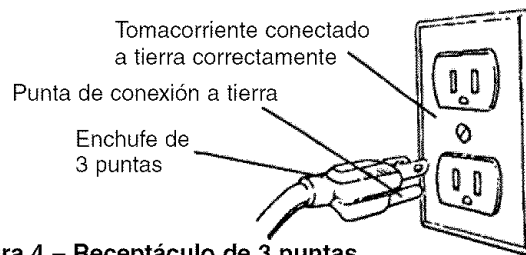


Figura 4 – Receptáculo de 3 puntas

- No remueva ni altere la punta de conexión a tierra de ninguna manera. En el caso de una falla o de una descarga disruptiva, la conexión a tierra proporciona el camino de menor resistencia al choque eléctrico.

ADVERTENCIA: No permita que los dedos toquen los terminales o el enchufe cuando se están instalando o removiendo del tomacorriente.

- El enchufe se debe enchufar en el tomacorriente correspondiente, que debe estar instalado correctamente y conectado a tierra según todos los códigos y reglamentos locales. No modifique el enchufe que se proporciona. Si no calza en el tomacorriente, haga que un electricista calificado instale uno correcto.
- Inspeccione los cordones de la herramienta periódicamente y, si están dañados, hágalos reparar por un servicio autorizado.
- El conductor verde (o verde y amarillo) del cordón es el cable de conexión a tierra. Si es necesario reparar o cambiar el cordón eléctrico o el enchufe, no conecte el cable verde (o verde y amarillo) a un terminal cargado.
- Cuando se encuentra un receptáculo de pared de 2 puntas, se debe reemplazar por un receptáculo de 3 puntas conectado a tierra correctamente e instalado de acuerdo con el Código Eléctrico Nacional, y con los códigos y reglamentos locales.

ADVERTENCIA: Este trabajo debe ser ejecutado por un electricista calificado.

Se puede obtener un adaptador de conexión a tierra provisorio de 3 puntas a 2 puntas (vea la Figura 5) para conectar los enchufes a un tomacorriente bipolar, si está conectado a tierra correctamente.

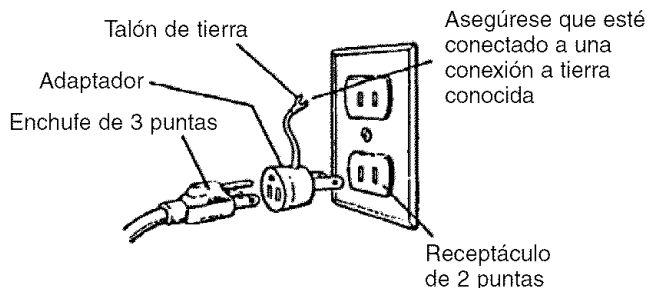


Figura 5 – Receptáculo de 2 puntas con adaptador

- No use un adaptador de conexión a tierra de 3 puntas a 2 puntas a menos que sea permitido por los códigos y reglamentos locales y nacionales.

(En Canadá no se permite usar un adaptador de conexión a tierra de 3 puntas a 2 puntas.) En donde está permitido, la lengüeta verde rígida o el terminal en el lado del adaptador debe estar conectado firmemente a una conexión a tierra eléctrica permanente, tal como una tubería de agua conectada a tierra correctamente, una caja de tomacorriente conectada a tierra correctamente o un sistema de cables conectado a tierra correctamente.

- Muchos de los tornillos de la plancha de cubierta, las tuberías de agua y las cajas de tomacorriente no están conectados a tierra correctamente. Para asegurar una conexión a tierra correcta, un electricista calificado debe probar los medios de conexión a tierra.

CORDONES DE EXTENSION

- El uso de cualquier cordón de extensión producirá cierta caída de voltaje y pérdida de energía.
- Los cables del cordón de extensión tienen que ser del tamaño suficiente como para conducir corriente y mantener el voltaje adecuado.
- Use la tabla para determinar el tamaño mínimo del cordón de extensión (A.W.G.).
- Use cordones de extensión de 3 cables, con enchufes del tipo de conexión a tierra de tres puntas y receptáculos tripolares que acepten el enchufe de la unidad.
- Si el cordón de extensión está desgastado, cortado o dañado en alguna forma, cámbielo inmediatamente.

Longitud del Cordón de Extensión

Tamaño del cable	A.W.G.
Hasta 25 pies	18
25 a 50 pies	16

AVISO: No se recomienda el uso de cordones de extensión de más de 50 pies de largo.

MOTOR

La lijadora está montada con un motor y el cableado ha sido instalado como una parte integral de la herramienta. El diagrama de cableado eléctrico se muestra en la Figura 6.

El motor de inducción monofásico permanentemente dividido incluye las especificaciones siguientes:

Caballos de fuerza (servicio continuo)	1/3 HP
Voltaje	120
Amperios	3,5
Hertz	60
Fase	Monofásico
RPM	3500
Rotación (visto desde el lado izquierdo)	En el sentido de las manillas del reloj

CONEXIONES ELECTRICAS

ADVERTENCIA: Todas las conexiones eléctricas tienen que ser hechas por un electricista calificado. Asegúrese de que la herramienta esté apagada y desconectada de la fuente de energía eléctrica cuando monte, conecte, o vuelva a conectar el motor y cada vez que inspeccione el cableado.

El motor y los cables están instalados tal como se muestra en el esquema de cableado (vea la Figura 6). El motor se monta con un cordón eléctrico aprobado de tres conductores para uso con 120 voltios. El motor viene de la fábrica cableado para 120 voltios.

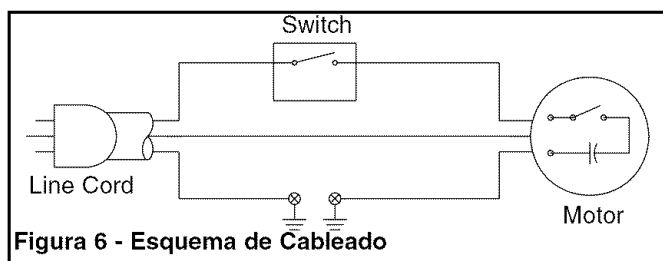


Figura 6 - Esquema de Cableado

Las líneas de energía eléctrica se insertan directamente en el interruptor. La línea de conexión a tierra verde debe permanecer firmemente sujeta al bastidor para ofrecer la adecuada protección contra un electrochoque. La fuente de alimentación del motor está controlada por un interruptor basculante enclavador unipolar.

- Remueva la llave para impedir el uso no autorizado.

OPERACION

Refiérase a las Figuras 7-15.

DESCRIPCION

La lijadora de correa y disco de 2 x 6", Craftsman, cuenta con una correa de 2 x 42" y un disco de 6" para remover las rebabas, biselar y lijar madera, plástico y metal. La lijadora tiene un motor de 1/3 HP, enfriado por ventilador. La velocidad de la correa es de 4400 pies por minuto y el disco rota a 3500 RPM. La mesa de la correa se inclina de 0 a 45° y la mesa del disco se inclina de 0 a 45° para el lijado en ángulo. El mecanismo de alineación y de alivio rápido de tensión facilita y agiliza el cambio de la correa. La platina de la correa se puede remover para el lijado de contorno. El alojamiento de la correa gira de la posición horizontal a la vertical para el lijado de piezas de trabajo grandes. El disco lijador tiene canales de recaudación de polvo de 1 1/2".

ESPECIFICACIONES

Tamaños de la correa	2 x 42", grano 80
Área de la platina de la correa	2 x 7 1/4"
Dimensiones de la mesa de la correa	9 x 6 3/4"
Inclinación de la mesa de la correa	0 a 90°
Velocidad de la correa	4400 PPM
Diámetro del disco	6"
Dimensiones de la mesa del disco	8 3/16 x 5 1/16"
Inclinación de la mesa del disco	0 a 45°
Diámetro del canal de polvo del disco	1 1/2"
Velocidad del disco	3500 RPM
Dimensiones de la base	9 1/16 x 8 3/32"
Interruptor	unipolar, interruptor oscilante de enclavamiento
Peso	30,2 lbs

ADVERTENCIA: La operación de todas las herramientas mecánicas puede ocasionar que partículas extrañas salten y caigan en los ojos, produciendo así graves lesiones oculares. Siempre use gafas de seguridad que cumplan con los requisitos de ANSI Z87.1 de Estados Unidos (se muestran en el paquete) antes de comenzar con la operación de las herramientas mecánicas. Las gafas de seguridad están disponibles en las tiendas Sears y en el catálogo.

PRECAUCION: Siempre observe las siguientes precauciones de seguridad.

PRECAUCIONES DE SEGURIDAD

- Cuando se ajuste o cambie cualquier parte en la herramienta, APAGUE el interruptor y remueva el enchufe de la fuente de energía.
- Vuelva a revisar las manillas de la mesa. Tienen que estar apretadas en forma segura.
- Asegúrese que todas las protecciones estén adjuntas correctamente y sujetas en forma segura.
- Asegúrese que todas las partes móviles estén libres y sin ninguna interferencia.

- Asegúrese que todos los sujetadores estén apretados y que no se hayan soltado con la vibración.
- Con la energía desconectada, pruebe la operación manualmente para verificar el espacio libre y ajústelo si es necesario.
- Siempre use protección para los ojos o la cara.
- Asegúrese que la correa abrasiva esté alineada en forma correcta. El alineamiento correcto le entrega el rendimiento óptimo.
- Después de encender el interruptor, siempre deje que la correa llegue a una velocidad completa antes de lijar o esmerilar.
- Asegúrese que el motor funcione en el sentido de las manillas del reloj, en el lado del disco. La correa abrasiva tiene que avanzar hacia abajo.
- Evite el contragolpe lijando según lo indican las flechas de dirección.
- Mantenga las manos alejadas de la parte abrasiva, el disco y las partes en movimiento.
- Para obtener el rendimiento óptimo no haga parar el motor ni reduzca la velocidad. No fuerce el trabajo dentro de la parte abrasiva.
- Soporte la pieza de trabajo con la mesa de la correa cuando se lije con la correa, y con la mesa del disco cuando se lije con el disco.
- Nunca empuje una esquina afilada de la pieza de trabajo rápidamente en contra de la correa o del disco. La parte trasera abrasiva puede desgarrarse.
- Cambie la parte abrasiva cuando se carga (se pone lustrosa) o se deshilacha.
- Cuando esmerile el metal, mueva la pieza de trabajo a través de la parte abrasiva para evitar la acumulación de calor.
- Nunca trate de lijar mojado. Si la pieza de trabajo se calienta demasiado como para manejarla; enfríela en agua.

ADVERTENCIA: Parte del polvo producido por el lijado mecánico, serrado, esmerilado, taladrado y otras tareas de construcción contiene sustancias químicas que pueden ocasionar cáncer, malformaciones congénitas u otros daños reproductivos.

Algunos ejemplos de estas sustancias químicas son:

- Plomo proveniente de pinturas con base de plomo.
- Sílice cristalino proveniente de ladrillos, cemento y otro material de mampostería.
- Arsénico y cromo proveniente de madera químicamente tratada.

El riesgo debido a la exposición de estas sustancias químicas depende de la frecuencia con la cual realice este tipo de trabajo. Para reducir la exposición a estas sustancias químicas: trabaje en un área bien ventilada y utilice equipo de seguridad aprobado. Cuando trabaje con este tipo de herramientas, utilice siempre una máscara para la cara o respirador adecuadamente ajustados, aprobados por **OSHA/NIOSH**.

MONTAJE DE LA LIJADORA

Durante la operación de la lijadora, es posible que ésta exhiba una tendencia a deslizarse o moverse sobre el banco o la mesa de trabajo. Se recomienda montar la lijadora sobre un pedestal (vea "Accesorios Recomendados", en la página 13) o sobre un banco de trabajo.

AJUSTE DE LA MESA DE LA CORREA

Refiérase a la Figura 7.

ADVERTENCIA: Desconecte la lijadora de la fuente de energía eléctrica antes de hacer cualquier ajuste.

- Para ajustar el ángulo de la mesa de la correa, suelte el perno de cabeza hueca y ajuste la mesa al ángulo deseado.

- Use una escuadra de combinación para ajustar la mesa de la correa a 45° o 90° con respecto a la platina de la correa.
- Ajuste para lograr un espacio libre de 1/16" máximo entre la correa y la mesa.
- Apriete el perno para fijar la posición de la mesa.

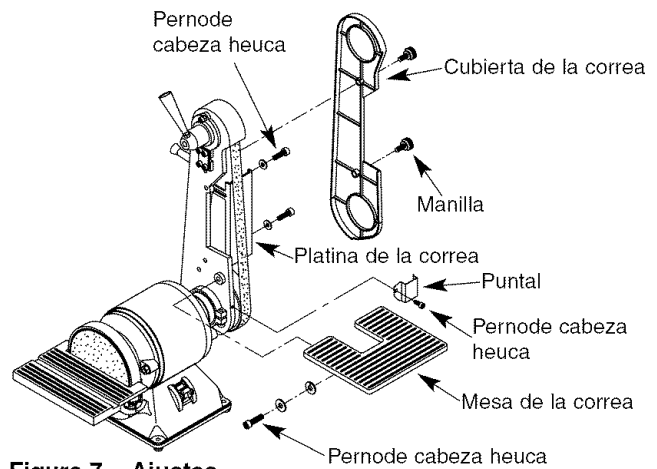


Figura 7 – Ajustes

CAMBIO DE LA CORREA ABRASIVA

Refiérase a las Figuras 7 y 8.

ADVERTENCIA: Desconecte la lijadora de la fuente de energía eléctrica antes de hacer cualquier ajuste.

- Se debe cambiar la correa lijadora cuando esté desgastada, desgarrada o vidriada.
- Afloje y remueva dos manillas de la cubierta de la correa.
- Remueva la cubierta de la correa.
- Afloje y extraiga el perno de cabeza hueca del puntal.
- Extraiga el puntal.
- Suelte el perno de cabeza hueca y mueva la mesa de la correa paralela a la correa.
- Tire del conjunto del mango hacia abajo para destensar la correa. Deslice y desmonte la correa vieja de las ruedas de impulsión y alineamiento.

AVISO: Puede que haya una flecha en el interior de la correa. La flecha debe apuntar hacia el recorrido de la correa para asegurar que el empalme en la correa no se desprenda.

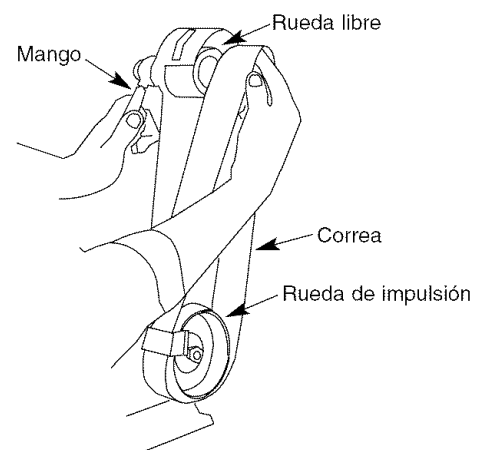


Figura 8 – Instalación de la correa abrasiva

- Tire del mango hacia abajo, y deslice y monte la correa nueva sobre la rueda de impulsión y la rueda libre. Centre la correa en las ruedas.
- Rote la correa manualmente para revisar la alineación. La correa debe avanzar centrada en las ruedas.

- Si la correa no está centrada sobre las ruedas, ajuste el alineamiento de la correa según se explica en la siguiente sección.
- Monte la cubierta de la correa y fíjela con las dos manillas.
- Vuelva a colocar el puntal y asegúrelo con el perno de cabeza hueca.
- Ajuste la posición de la mesa de la correa al ángulo deseado y apriete el perno para fijar la posición de la mesa.

ALINEACION DE LA CORREA ABRASIVA

Refiérase a la Figura 9.

- Pruebe la alineación. Enchufe el cordón eléctrico. ENCIENDA el interruptor y APAGUELO inmediatamente. Si la correa abrasiva está centrada en las ruedas y no se movió hacia la derecha o hacia la izquierda, la alineación está correcta. Si la correa se movió hacia la derecha o la izquierda, es necesario hacer ajustes.
- Para ajustar la rueda de alineamiento, afloje la tuerca de fijación en el perno de ajuste. Utilice una llave hexagonal de 4 mm para girar el perno de ajuste.
- Si la correa abrasiva se mueve a la izquierda, gire el perno en el sentido contrario a las manillas del reloj. Si la correa se mueve a la derecha, gire el perno en el sentido de las manillas del reloj.
- Asegure la posición cuando la correa esté con la alineación correcta de modo que permanezca centrada en las ruedas. Mantenga la posición del perno de cabeza hueca con la llave hexagonal de 4 mm. Apriete la tuerca de fijación para fijar la posición del perno.

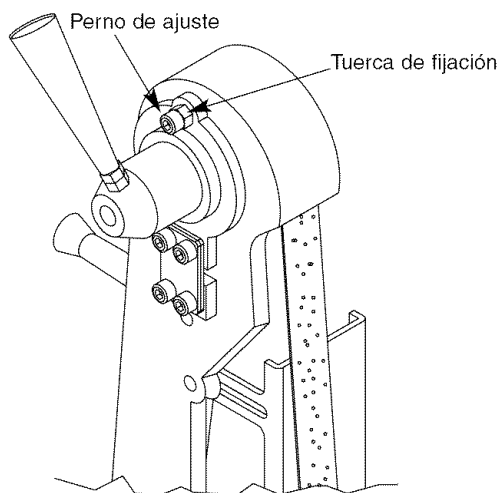


Figura 9 – Alineamiento de la correa

AJUSTE DE LA PLATINA DE LA CORREA

Refiérase a la Figura 7, página 16.

ADVERTENCIA: Desconecte la lijadora de la fuente de energía eléctrica antes de hacer cualquier ajuste.

La platina sirve para apoyar la pieza de trabajo de manera apropiada durante las operaciones de lijado. La platina está construida de acero pesado a fin de proporcionar un soporte adecuado.

Si se opera con la platina de la correa en su lugar, el operador podrá lijar o esmerilar en líneas rectas parejas.

- La platina se debe ajustar de modo que la correa no entre en contacto con ella hasta que el trabajo sea alimentado a la correa.
- Para ajustar la platina de la correa, afloje y remueva las manillas para remover la cubierta de la correa.
- Afloje los pernos de cabeza hueca y ajuste la posición de la platina de la correa.

- Apriete los pernos para fijar la platina.
- Monte la cubierta de la correa y apriete las manillas.

ACABADO DE LA CORREA ABRASIVA

- Las correas abrasivas se pueden usar para lijar madera, remover las rebabas del metal o para pulir el plástico.
- Las correas son más eficientes cuando se usa con la mesa. El tamaño de la correa de 2" es conveniente para alcanzar los rincones y los bordes curvos cóncavos. El tamaño de correa de 1" es ideal para alcanzar espacios limitados.

LIJADO DE CONTORNO

Refiérase a las Figuras 7 y 10, páginas 16 y 17.

- La platina de la correa se puede remover para el lijado de contorno.
- Remueva las manillas y la cubierta de la correa.
- Remueva el perno de cabeza hueca y las arandelas que sujetan la platina en la caja de la correa. Remueva la platina de la correa.
- Vuelva a colocar la cubierta de la correa y las manillas.

Mueva las piezas de trabajo en contra de la correa. La correa seguirá el contorno.

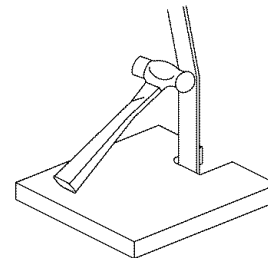


Figura 10 – Lijado de contorno

AFILAMIENTO

Refiérase a la Figura 11.

- Ajuste la mesa de la correa al ángulo de afilamiento deseado y apriétela en forma segura. Use la lijadora de correa para muescar la parte trasera de una pieza de madera auxiliar.
- Con una abrazadera C, adjunte la pieza auxiliar de madera a la mesa. Actúa como soporte cuando se está afilando.
- El borde superior de la madera tiene que estar a menos de $\frac{1}{16}$ " de la correa abrasiva.

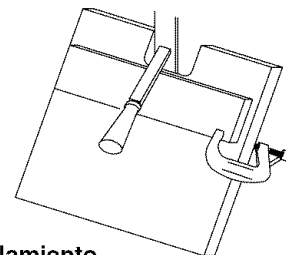


Figura 11 – Afilamiento

LIJADO HORIZONTAL CON LA CORREA

Refiérase a las Figuras 12 y 13, página 18.

ADVERTENCIA: Desconecte la lijadora de la fuente de energía eléctrica antes de hacer cualquier ajuste.

- La caja de la correa se puede inclinar a una posición horizontal.
- Remueva la mesa de la correa removiendo el perno de cabeza hueca y la arandela plana.

- Afloje el perno de fijación de la caja; incline la caja de la correa a la posición horizontal y apriete el perno para fijar la posición de la caja.
- La rueda impulsora de la correa se puede usar como una rueda de contacto para lijar las superficies curvas.

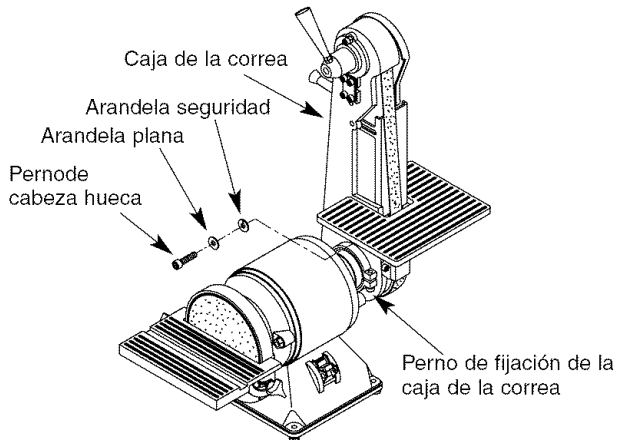


Figura 12 – Ajuste de la caja de la correa

- El tope de trabajo con tuerca viene incluido para usarse cuando se lija recto en la posición horizontal.
- Remueva el perno de cabeza hueca y las arandelas que sostienen la mesa de la correa en la lijadora. Remueva la mesa de la correa.
- Monte el tope de la pieza de trabajo en la lijadora usando el perno de cabeza hueca y las arandelas.
- Use una escuadra de combinación para ajustar el tope de trabajo a 90° con respecto a la correa, con espacio libre de $\frac{1}{16}$ " entre la correa y el tope de trabajo.
- Utilice el tope de la pieza de trabajo para situar y estabilizar la pieza de trabajo. Mantenga el extremo de la pieza de trabajo topada contra el tope de la pieza de trabajo y mueva uniformemente la pieza de trabajo a través de la correa abrasiva.

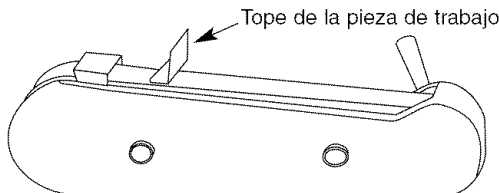


Figura 13 – Instalación del tope de la pieza de trabajo

- Tenga mucho cuidado cuando haga trabajos de acabado de piezas muy delgadas.
- Remueva la pieza de trabajo para acabar piezas largas.

AJUSTE DEL ANGULO DE LA MESA DEL DISCO

Refiérase a la Figura 2, página 15.

ADVERTENCIA: Desconecte la lijadora de la fuente de energía eléctrica antes de hacer cualquier ajuste.

La mesa del disco se puede ajustar desde 0° hasta 45° para hacer trabajos de biselado.

- Para ajustar la mesa del disco, suelte las dos manillas y pivotee al ángulo deseado.
- Use la escala en los muñones de la mesa del disco para ajustarla desde 0 a 45° con respecto al disco abrasivo.
- Cuando la mesa del disco esté en el ángulo deseado, asegúrela en su posición apretando las manillas en forma segura.

CAMBIO DEL DISCO ABRASIVO

Refiérase a la Figura 2, página 15.

ADVERTENCIA: Desconecte la lijadora de la fuente de energía eléctrica antes de hacer cualquier ajuste.

- Afloje y remueva las manillas.
- Presione la mesa del disco ligeramente hacia abajo y deslícela hacia afuera.
- Remueva la mesa del disco. Remueva el disco abrasivo viejo desprendiéndolo del disco de aluminio. No es necesario remover el disco de aluminio del eje del motor.
- Si es necesario, limpie el disco de aluminio. Seleccione el disco abrasivo adecuado y ajústelo al disco de aluminio.
- Hay discos abrasivos adicionales disponibles (vea Accesorios Recomendados, en la página 13).
- Monte la mesa del disco y apriete las manillas.

ACABADO CON DISCO ABRASIVO

Refiérase a la Figura 14.

- El lijado con disco abrasivo se adapta bien cuando hay que acabar superficies planas pequeñas y los bordes convexos.
- Mueva la pieza de trabajo a través del lado de abajo (derecho) del disco abrasivo. El disco abrasivo se mueve de forma más rápida y remueve más material en el borde exterior.
- Para obtener precisión, use la guía de ingletes.

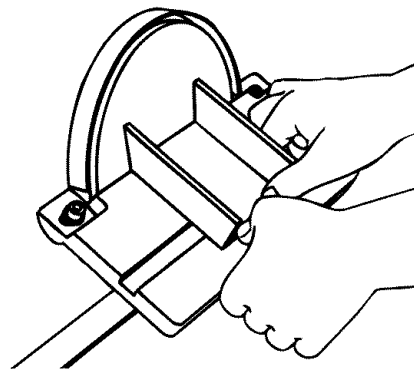


Figura 14 – Acabado con disco abrasivo

USO DE LA GUIA DE INGLETES

Refiérase a la Figura 15.

- La guía de ingletes se usa solamente en la mesa del disco. Use la guía de ingletes para asegurar el trabajo y mantener el ángulo correcto cuando se lija con disco.
- Ajuste el ángulo volviendo a colocar la escala de la guía de ingletes y asegurándolo en su lugar con la manilla.
- Revise la precisión de la escala de la guía de ingletes. Use una escuadra de combinación para ajustar la cuadratura de la guía de ingletes con respecto al disco. Suelte el tornillo y vuelva a colocar el indicador en caso de ser necesario.

MANTENIMIENTO

ADVERTENCIA: Asegúrese que la unidad está desconectada de la fuente de energía antes de intentar hacerle el servicio o remover cualquier componente.

LIMPIEZA

Mantenga la máquina y el taller limpios. No permita que el aserrín se acumule en la herramienta. Mantenga las ruedas limpias. La mugre en las ruedas producirá mala alineación y deslizamiento de la correa. Opere la herramienta con el colector de polvo para evitar que se acumule el polvo.

ADVERTENCIA: Después de lijar madera o material no metálico, siempre limpie el aserrín del colector y de las protecciones antes de esmerilar el metal. Las chispas pueden encender los desperdicios y producir un incendio.

Asegúrese de mantener el motor limpio y de pasarle la aspiradora frecuentemente para sacar el polvo.

Use agua y jabón para limpiar las partes pintadas, las partes de goma y las protecciones de plástico.

LUBRICACION

Los rodamientos de bola protegidos que tiene esta lijadora han sido lubricados permanentemente en la fábrica. No necesitan lubricación adicional.

- Cuando la operación parece dura, si se aplica una capa liviana de cera del tipo para automóviles a la mesa de la correa y a la del disco, se facilitará la alimentación del trabajo durante el acabado.

- No aplique la cera a la platina de la correa. La correa puede recoger la cera y depositarla sobre las ruedas, haciéndola que se resbale.

MANTENGA LA HERRAMIENTA EN BUEN ESTADO

- Si el cordón eléctrico está desgastado, cortado o dañado, cámbielo inmediatamente.
- Cambie los abrasivos desgastados cuando sea necesario.
- Cambie cualquier parte dañada o que falte. Use la lista de partes cuando las ordene.

Todo intento de reparar el motor puede crear un peligro, a menos que la reparación la haga un técnico de servicio calificado. El servicio de reparación está disponible en su tienda Sears más cercana.

TABLA DE IDENTIFICACION DE PROBLEMAS

SINTOMA	CAUSA(S) POSIBLE(S)	MEDIDA CORRECTIVA
El motor no arranca	<ol style="list-style-type: none"> 1. Voltaje bajo 2. Hay un circuito abierto en el motor o hay conexiones sueltas 3. Interruptor defectuoso 4. Condensador defectuoso 	<ol style="list-style-type: none"> 1. Revise la energía para ver si tiene el voltaje apropiado 2. Inspeccione todas las conexiones de entrada en el motor para verificar si hay alguna suelta o abierta 3. Cambie el interruptor 4. Cambie el condensador
El motor no arranca; los fusibles están quemados o los interruptores de circuito se han disparado	<ol style="list-style-type: none"> 1. Hay un cortocircuito en el cordón o el enchufe 2. Hay un cortocircuito en el motor o hay conexiones sueltas 3. Hay fusibles o interruptores de circuito incorrectos en la línea de energía 	<ol style="list-style-type: none"> 1. Inspeccione el cordón de la línea o el enchufe para ver si hay aislamientos dañados y cables en cortocircuito 2. Inspeccione todas las conexiones de entrada en el motor para verificar si hay terminales sueltos o con cortocircuito o si los aisladores en los cables están desgastados 3. Instale los fusibles o los interruptores de circuito correctos
El motor no llega a potencia completa (la salida de potencia del motor disminuye rápidamente cuando disminuye el voltaje en los terminales del motor)	<ol style="list-style-type: none"> 1. La línea de energía está sobrecargada con artefactos, luces y con otros motores 2. Los cables son de un tamaño demasiado pequeño o los circuitos son muy largos 3. Sobrecarga de energía general de los servicios de la compañía 	<ol style="list-style-type: none"> 1. Reduzca la carga en la línea eléctrica 2. Aumente los tamaños de los cables o reduzca la longitud del cableado 3. Solicite a la compañía de electricidad que haga una revisión del voltaje
El motor se calienta demasiado	<ol style="list-style-type: none"> 1. El motor tiene una carga excesiva 2. Correa defectuosa 	<ol style="list-style-type: none"> 1. Reduzca la carga del motor 2. Cambie la correa
El motor se para (los fusibles se queman o se disparan los interruptores de circuito)	<ol style="list-style-type: none"> 1. Cortocircuito en el motor o hay conexiones sueltas 2. Voltaje bajo 3. Hay fusibles o interruptores de circuito incorrectos en la línea de energía 4. El motor tiene una carga excesiva 5. Correa defectuosa 	<ol style="list-style-type: none"> 1. Inspeccione las conexiones del motor para verificar si hay terminales sueltos o con cortocircuito o si el aislamiento de los cables de entrada está desgastado 2. Corrija las condiciones de voltaje bajo en la línea 3. Instale los fusibles o los interruptores de circuito correctos 4. Reduzca la carga del motor 5. Cambie la correa
La máquina empieza a andar más lento cuando se opera	Se está aplicando demasiada presión en la pieza de trabajo	Alivie la presión
La correa abrasiva se sale de la rueda superior	<ol style="list-style-type: none"> 1. El alineamiento no está correcto 2. Correa defectuosa 3. La caja de la correa está mal acomodada 	<ol style="list-style-type: none"> 1. Vea la sección Operación, "Alineación de la Correa Abrasiva" 2. Cambie la correa 3. Ajuste el perno de fijación de la caja. Vea la sección Operación, "Lijado Horizontal con la Correa"

NOTAS

NOTAS

NOTAS

Get it fixed, at your home or ours!

Your Home

For repair ~ **in your home** ~ of **all** major brand appliances, lawn and garden equipment, or heating and cooling systems, **no matter who made it, no matter who sold it!**

For the replacement parts, accessories and owner's manuals that you need to do-it-yourself.

For Sears professional installation of home appliances and items like garage door openers and water heaters.

1-800-4-MY-HOME® (1-800-469-4663)

Call anytime, day or night (U.S.A. and Canada)

www.sears.com www.sears.ca

Our Home

For repair of carry-in items like vacuums, lawn equipment, and electronics, call or go on-line for the location of your nearest **Sears Parts & Repair Service Center**

1-800-488-1222

Call anytime, day or night (U.S.A. only)

www.sears.com

To purchase a protection agreement (U.S.A.) or maintenance agreement (Canada) on a product serviced by Sears:

1-800-827-6655 (U.S.A.)

1-800-361-6665 (Canada)

Para pedir servicio de reparación a domicilio, y para ordenar piezas:

1-888-SU-HOGAR®

(1-888-784-6427)

Au Canada pour service en français:

1-800-LE-FOYER^{MC}

(1-800-533-6973)

www.sears.ca

The Sears logo is centered at the bottom of the advertisement. It features the word "Sears" in a bold, serif font. A horizontal line is positioned below the letters "e" and "a", and a curved line sweeps under the letters "s" and "a".

© Registered Trademark / TM Trademark / SM Service Mark of Sears Brands, LLC

© Marca Registrada / TM Marca de Fábrica / SM Marca de Servicio de Sears Brands, LLC

^{MC} Marque de commerce / ^{MD} Marque déposée de Sears Brands, LLC

© Sears Brands, LLC