

IMPORTANT MANUAL

Do Not Throw Away

SEARS

**Operator's
Manual**

**Model No.
358.798470**

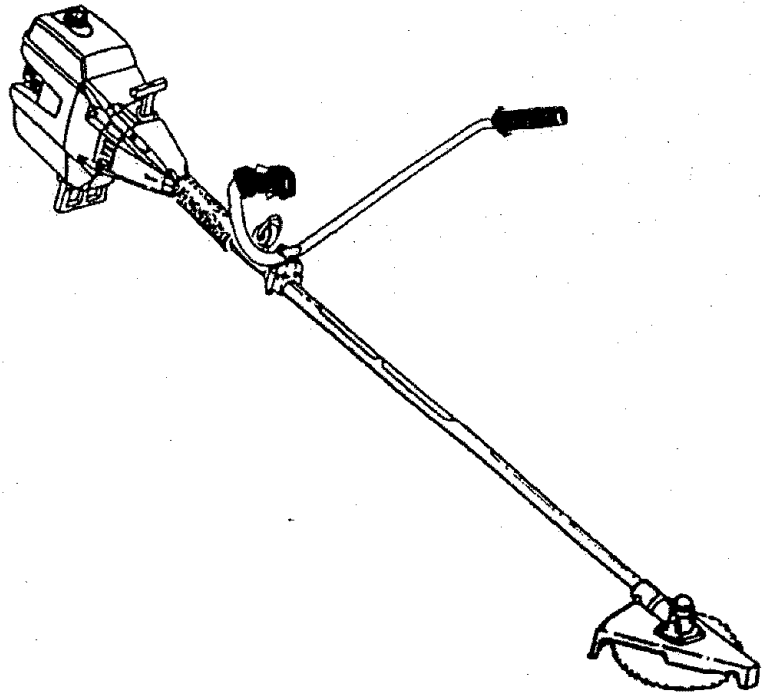
**CUSTOMER
ASSISTANCE
1-800-235-5878**

**HOURS (CST)
Mon. - Sat. 7 a.m. - 7 p.m.
Sun. 10 a.m. - 7 p.m.**



DANGER:

**READ THE OPERATOR'S
MANUAL AND FOLLOW
ALL WARNINGS AND
SAFETY INSTRUCTIONS.
FAILURE TO DO SO CAN
RESULT IN SERIOUS
INJURY.**



Always Wear Eye Protection

CRAFTSMAN®

**32 cc/2.0 cu. in. 2-CYCLE ENGINE
18 Inch Semi-Automatic Head®
GAS BRUSHWACKER®**

- Assembly
- Operation
- Customer Responsibilities
- Service and Adjustments
- Repair Parts

Sears, Roebuck and Co., Hoffman Estates, IL 60179 U.S.A.

SAFETY RULES



CAUTION: ALWAYS DISCONNECT SPARK PLUG WIRE AND PLACE WIRE WHERE IT CANNOT CONTACT SPARK PLUG TO PREVENT ACCIDENTAL STARTING WHEN SETTING UP, TRANSPORTING, ADJUSTING OR MAKING REPAIRS.

OPERATOR SAFETY

- Always wear safety eye protection.
- Always wear long pants, long sleeves, boots and gloves. Wearing safety leg guards is recommended. Do not go barefoot or wear sandals, short pants, short sleeves. Being fully covered helps to protect you from pieces of toxic plants thrown by the blade or cutting head.
- Secure hair so it is above shoulder length. Secure loose clothing or jewelry, or clothing with loosely hanging ties, straps, tassels, etc.; they can be caught in moving parts.
- Do not operate this unit when you are tired, ill, or under the influence of alcohol, drugs, or medication.
- Wear hearing protection if you use this unit for more than 1-1/2 hours per day.
- Never start or run the engine inside a closed room or building. Breathing exhaust fumes can kill.
- Keep handles free of oil and fuel.
- Always use the handlebar and a properly adjusted shoulder harness.
- If situations occur which are not covered in this manual, use care and good judgement.

UNIT MAINTENANCE/SAFETY

- Look for and replace damaged or loose parts before each use. Look for and repair fuel leaks before use. Keep the unit in good working condition.
- Throw away blades that are bent, warped, cracked, broken, or damaged in any other way.
- Replace trimmer head parts that are chipped, cracked, broken, or damaged in any other way before using the unit.
- Use only .080" diameter monofilament line. Never use wire, rope, string, etc.
- Keep the blade sharp and the cutting line at the proper length.
- Make sure the unit is maintained and assembled correctly as listed in this manual.
- Install the required shield properly before using the unit. Use the metal blade shield for blades, and the plastic line trimmer shield for line trimmer use.
- Use only the specified blade or trimmer head.
- Be sure blade or trimmer head stops turning when engine idles.
- Make carburetor adjustments with the lower end supported to prevent the blade or trimmer line from contacting any object. Hold unit by hand; do not use shoulder harness for support.
- Keep others away when making carburetor adjustments.

FUEL SAFETY

- Use only good quality SEARS accessories and replacement parts as recommended for this unit.
- Have all maintenance and service not explained in this manual performed by your SEARS Service Center.
- Mix and pour fuel outdoors.
- Keep away from sparks or flames.
- Use a container approved for fuel.
- Do not smoke or allow smoking near fuel or the unit or while using the unit.
- Wipe up all fuel spills before starting engine.
- Move at least 10 feet (3 meters) away from fueling site before starting engine.
- Stop engine and allow the engine to cool before removing fuel cap.

CUTTING SAFETY

- Inspect the area to be cut before each use. Remove objects (rocks, broken glass, nails, wire, string, etc.) which can be thrown or become entangled in the blade or trimmer head.
- Keep others including children, animals, bystanders and helpers at least 50 feet (15 meters) away. Stop the engine immediately if you are approached.
- Always keep the engine on the right-hand side of your body.
- Hold the unit firmly with both hands.
- Keep firm footing and balance. Do not over-reach.
- Keep the blade or trimmer head below waist level.
- Do not raise the engine above your waist.
- Keep all parts of your body away from the blade or trimmer head and muffler when engine is running.
- Cut from your right to your left.
- Use only for jobs explained in this manual.

TRANSPORTING AND STORAGE

- Stop the unit before transporting.
- Allow the engine to cool, and secure the unit before storing or transporting in a vehicle.
- Empty the fuel tank before storing or transporting the unit. Use up any fuel left in the carburetor by starting the engine and letting the engine run until it stops.
- Store unit and fuel in an area where fuel vapors cannot reach sparks or open flames from water heaters, electric motors or switches, furnaces, etc.
- Store unit so the blade or line limiter cannot accidentally cause injury.
- Store the unit out of the reach of children.

SAFETY NOTICE

Exposure to vibrations through prolonged use of gasoline powered hand tools could cause blood vessel or nerve damage in the fingers, hands, and joints of people prone to circulation disorders or abnormal swellings. Prolonged use in cold weather has been linked to blood vessel damage in otherwise healthy people. If symptoms occur such as numbness, pain, loss of strength, change in skin color or texture, or loss of feeling in the fingers, hands or joints, discontinue the use of this unit and seek medical attention. An anti-vibration system does not guarantee the avoidance of these problems. Users who operate power tools on a continual and regular basis must monitor closely their physical condition and the condition of this unit.



LOOK FOR THIS SYMBOL TO POINT OUT IMPORTANT SAFETY PRECAUTIONS. IT MEANS - ATTENTION!!! BECOME ALERT!!! YOUR SAFETY IS INVOLVED.

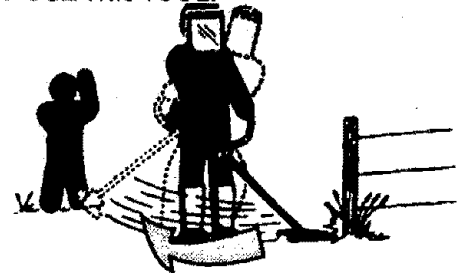
SAFETY RULES



DANGER

THIS POWER UNIT CAN BE DANGEROUS! THIS UNIT CAN CAUSE SERIOUS INJURY OR BLINDNESS TO THE OPERATOR AND OTHERS. THE WARNINGS AND SAFETY INSTRUCTIONS IN THIS MANUAL MUST BE FOLLOWED TO PROVIDE REASONABLE SAFETY AND EFFICIENCY IN USING THIS UNIT. THE OPERATOR IS RESPONSIBLE FOR FOLLOWING THE WARNINGS AND INSTRUCTIONS IN THIS MANUAL AND ON THE UNIT. READ THE ENTIRE OPERATOR'S MANUAL BEFORE ASSEMBLING AND USING THIS UNIT! RESTRICT THE USE OF THIS POWER UNIT TO PERSONS WHO READ, UNDERSTAND AND FOLLOW THE WARNINGS AND INSTRUCTIONS IN THIS MANUAL AND ON THE UNIT. NEVER ALLOW CHILDREN TO USE THIS TOOL.

BLADE CAN THRUST VIOLENTLY AWAY FROM MATERIAL IT CANNOT CUT. BLADE THRUST CAN CAUSE AMPUTATION OF ARMS OR LEGS. KEEP PEOPLE AND ANIMALS 50 FEET (15 METERS) AWAY.

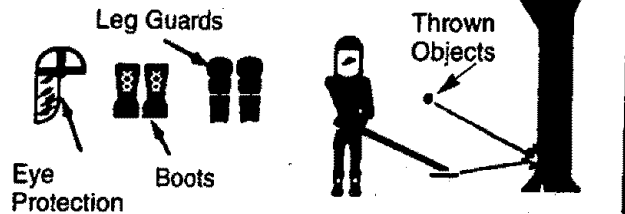


BLADE THRUST

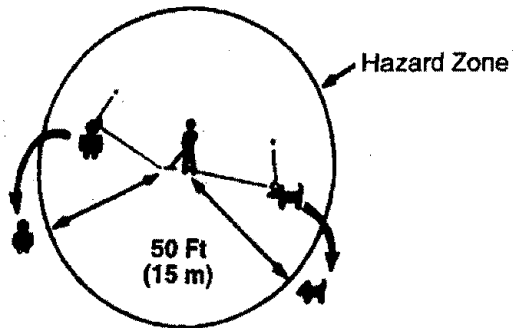


WARNING

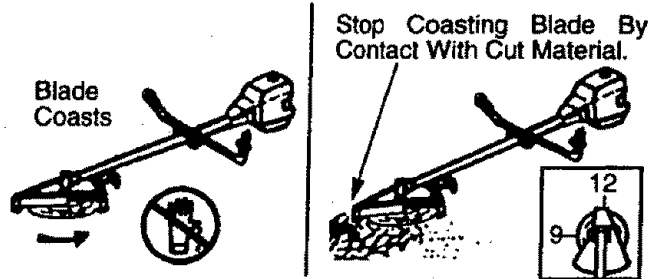
BLADE/TRIMMER LINE CAN THROW OBJECTS VIOLENTLY. YOU CAN BE BLINDED OR INJURED. WEAR EYE AND LEG PROTECTION.



HAZARD ZONE FOR THROWN OBJECTS. BLADE/TRIMMER LINE CAN THROW OBJECTS VIOLENTLY. OTHERS CAN BE BLINDED OR INJURED. KEEP PEOPLE AND ANIMALS 50 FEET (15 METERS) AWAY.



BLADE COASTS AFTER THROTTLE RELEASE. THE BLADE CAN SERIOUSLY CUT YOU OR OTHERS. STOP BLADE WITH CUT MATERIAL.



READ OPERATOR'S MANUAL. FOLLOW ALL WARNINGS AND INSTRUCTIONS. FAILURE TO DO SO CAN RESULT IN SERIOUS INJURY.



Operator's Manual



Safety Labels

CONGRATULATIONS on your purchase of a Sears Craftsman Brushwacker. It has been designed, engineered and manufactured to give you the best possible dependability and performance.

Should you experience any problems you cannot easily remedy, please contact your nearest Sears Service Center/Department. Sears has competent, well trained technicians and the proper tools to service or repair this unit.

Please read and retain this manual. The instructions will enable you to assemble and maintain your unit properly. Always observe the "SAFETY RULES."

MODEL NUMBER: **358.798470**

DATE CODE/SERIAL NO.: _____

DATE OF PURCHASE: _____

THE MODEL AND SERIAL NUMBER WILL BE FOUND ON THE PRODUCT.

YOU SHOULD RECORD BOTH SERIAL NUMBER AND DATE OF PURCHASE AND KEEP IN A SAFE PLACE FOR FUTURE REFERENCE.

MAINTENANCE AGREEMENT

A Sears Maintenance Agreement is available on this product. Contact your nearest Sears Store for details.

CUSTOMER RESPONSIBILITIES

- Read and observe the safety rules.
- Follow a regular schedule in maintaining, caring for, and using your unit.
- Follow the instructions under "Customer Responsibilities" and "Storage" sections of this Operator's Manual.

PRODUCT SPECIFICATIONS

CUTTING PATH	
Trimmer Head	18"
Weed Blade	8"
Brush Blade	8"
TRIMMER LINE	
	.080" Diameter Monofilament Line
HEAD ROTATION	Counterclockwise (for operator)
ENGINE	32 cc, 2-cycle Air-Cooled
FUEL/OIL MIX RATIO	40:1 (3.2 oz. oil per gallon gas)
IGNITION	Solid State
IGNITION TIMING	Non-adjustable fixed
SPARK PLUG TYPE	Champion (RCJ-8Y)
SPARK PLUG GAP025" (.6mm)
MUFFLER	Temperature Limiting (not spark arresting)
ENGINE RPM	Operating - 9000 Max.

SPECIAL NOTICE

For users on U.S. Forest Land and in some states, including California (Public Resources Codes 442 and 443), Idaho, Maine, Minnesota, New Jersey, Oregon, and Washington: Certain internal combustion engines operated on forest, brush, and/or grass-covered lands in the above areas are required to be equipped with a spark arrester, maintained in effective working order, or the engine must be constructed, equipped, and maintained for the prevention of fire. Check with your state or local authorities for regulations pertaining to these requirements. Failure to follow these requirements is a violation of the law. This unit is not factory-equipped with a spark arrester; however, a spark arrester is available as an optional part. If a spark arrester is required in your area, contact your SEARS Service Center/Department for the correct kit.

Manufactured under one or more of the following U.S. patents: 5,383,427; 5,387,988; 5,345,684; 5,343,831; 5,276,968; 5,269,665; 5,020,223; 4,940,028; 4,897,923; 4,852,258; 4,846,123; 4,841,929; 4,835,867; 4,825,548; 4,823,465; 4,819,742; 4,798,185; 4,508,068; 4,483,089; 4,451,983; 4,366,822; 4,366,621; 4,352,243; 4,347,666; 4,290,200; 4,286,675; 4,236,312; 4,177,861; 4,172,322; 4,167,812; 4,162,575; 4,161,820; 4,122,653; 4,104,797; Re.32,266; D344,088; D324,051; D304,196; D276,160. Other U.S. and foreign patents pending.

FULL ONE YEAR WARRANTY ON CRAFTSMAN GAS-POWERED BRUSHWACKER® BLADED TRIMMER

For one year from the date of purchase, when this Craftsman Gas-Powered Brushwacker® is maintained, lubricated and tuned up according to the operating and maintenance instructions in the Operator's Manual, Sears will repair, free of charge, any defect in materials or workmanship.

This warranty excludes the blade, nylon line, spark plug, and air filter, which are expendable parts and become worn during normal use.

If this Brushwacker® is used for commercial purposes, this warranty applies for only 90 days from the date of purchase. If this Brushwacker® is used for rental purposes, this warranty applies for only 30 days from date of purchase. This warranty applies only while this product is in use in the United States.

WARRANTY SERVICE IS AVAILABLE BY RETURNING THE BRUSHWACKER® TO THE NEAREST SEARS SERVICE CENTER IN THE UNITED STATES.

This warranty gives you specific legal rights, and you may also have other rights which vary from state to state.

SEARS, ROEBUCK AND CO., D/817WA, HOFFMAN ESTATES, IL 60179

TABLE OF CONTENTS

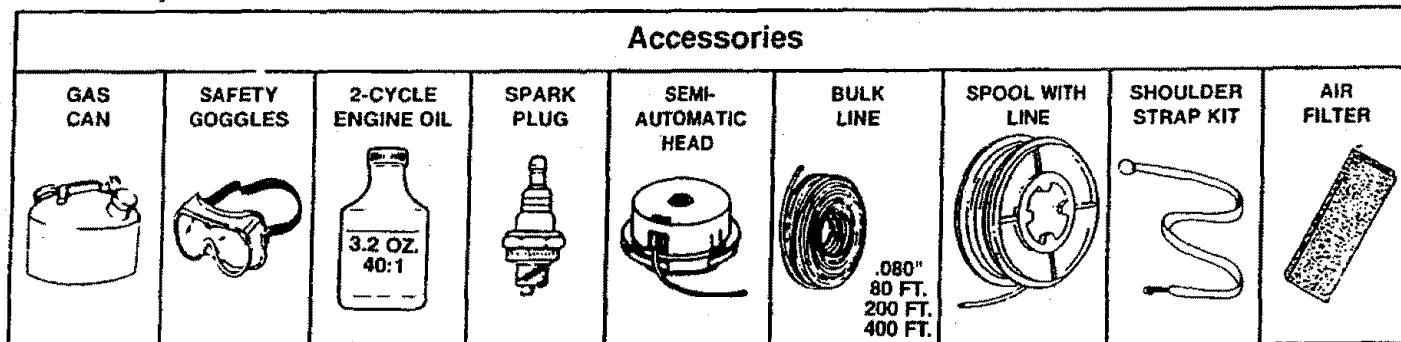
Safety Rules.....2	Customer Responsibilities.....21
Product Specifications.....4	Service and Adjustments24
Warranty.....4	Storage.....30
Accessories.....5	Trouble Shooting31
Assembly.....7	Repair Parts Ordering/ServiceBack Cover
Operation12	

INDEX

<p style="text-align: center;">A</p> <p>Accessories.....5</p> <p>Adjustments</p> <p style="padding-left: 20px;">Carburetor.....29</p> <p style="padding-left: 20px;">Handlebar17</p> <p style="padding-left: 20px;">Idle Speed.....29</p> <p style="padding-left: 20px;">Line Advance17</p> <p>Air Filter.....22</p> <p>Assembly</p> <p style="padding-left: 20px;">Blades10 & 11</p> <p style="padding-left: 20px;">Semi-automatic Head.....9</p> <p style="padding-left: 20px;">Handlebar8</p> <p style="padding-left: 20px;">Metal Debris Shield10</p> <p style="padding-left: 20px;">Plastic Debris Shield.....8</p> <p style="padding-left: 20px;">Throttle Handle9</p> <p style="text-align: center;">B</p> <p>Blade Sharpening28</p> <p>Blade Thrust.....14</p> <p style="text-align: center;">C</p> <p>Carburetor Adjustments29</p> <p>Carton Contents.....6</p> <p>Customer Assistance</p> <p style="padding-left: 20px;">Hotline.....Back Cover</p> <p>Customer Responsibilities.....21</p> <p>Cutting Methods</p> <p style="padding-left: 20px;">Trimmer Operating Tips20</p> <p style="padding-left: 20px;">Blade Operating Tips15</p> <p style="text-align: center;">D</p> <p>Drive Shaft Lubrication.....22</p> <p style="text-align: center;">E</p> <p>Engine</p> <p style="padding-left: 20px;">Fuel/Oil.....18</p> <p style="padding-left: 20px;">Spark Plug4</p> <p style="padding-left: 20px;">Starting19</p> <p style="padding-left: 20px;">Storage30</p>	<p style="text-align: center;">F</p> <p>Fueling18</p> <p>Fuel Filter23</p> <p style="text-align: center;">H</p> <p>Handlebar.....8</p> <p style="text-align: center;">K</p> <p>Know Your Brushwacker.....12</p> <p style="text-align: center;">L</p> <p>Line Advancement17</p> <p>Line Replacement26</p> <p style="text-align: center;">M</p> <p>Maintenance Schedule21</p> <p>Model Number.....4</p> <p style="text-align: center;">O</p> <p>Operation</p> <p style="padding-left: 20px;">Brushwacker18</p> <p style="padding-left: 20px;">Line Trimmer20</p> <p>Ordering Repair PartsBack Cover</p> <p style="text-align: center;">R</p> <p>Repair Parts List32</p> <p style="text-align: center;">S</p> <p>Service and Adjustments24</p> <p>Specifications4</p> <p>Starter Rope.....24</p> <p>Starting.....19</p> <p>Storage.....30</p> <p style="text-align: center;">T</p> <p>Throttle Handle.....9</p> <p>Trouble Shooting31</p> <p style="text-align: center;">W</p> <p>Warranty.....4</p>
--	---

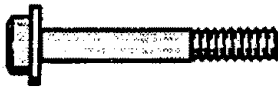
ACCESSORIES

These accessories and attachments were available when the unit was originally purchased. They are also available at most Sears retail outlets and service centers. Most Sears stores can order these items for you when you provide the model number of your unit.



CARTON CONTENTS

Hardware shown full size



(2) Nose Cone Screws



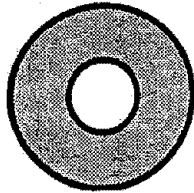
(2) Handle Bar Screws
(4) Metal Debris Shield Screws



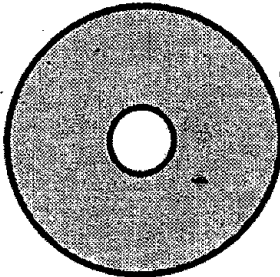
(4) Plastic Debris Shield Screws



(2) Nose Cone Nuts



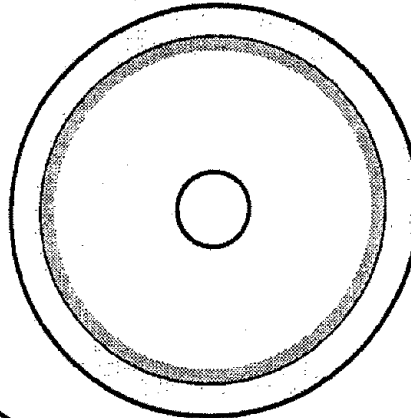
(1) Beveled Washer



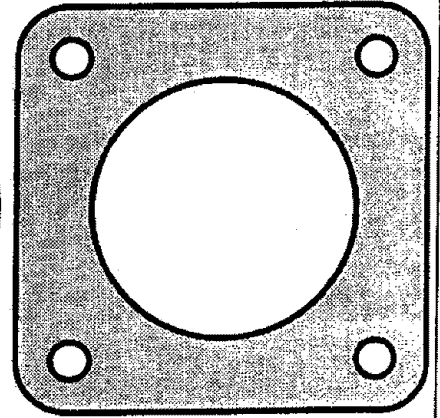
(1) Flat Washer



(1) Flange Hex Nut

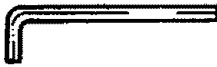


(1) Grass Washer

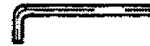


(1) Retention Plate

Parts bag contents not shown full size



Long Hex Key

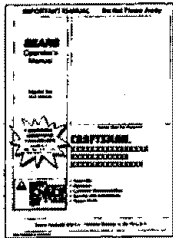


Short Hex Key



(1) Handlebar Upper Cover Bracket

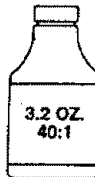
Parts packed separately in carton



Operator's Manual



Shoulder Strap w/Warning



Engine Oil



Semi-automatic Head



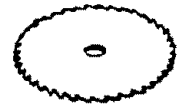
Metal Debris Shield



Weed Blade



Plastic Debris Shield



Brush Blade

ASSEMBLY

TOOLS REQUIRED FOR ASSEMBLY

- Torque wrench (optional) – Reference torque values are provided throughout this manual for tightening hardware.
- Long hex key (included)
- Short hex key (included)
- Adjustable wrench or large pliers
- Phillips screwdriver

TO REMOVE BRUSHWACKER FROM CARTON

- Remove loose parts bag and carton contents included with Brushwacker®.
- Remove your Brushwacker® from the packing material.

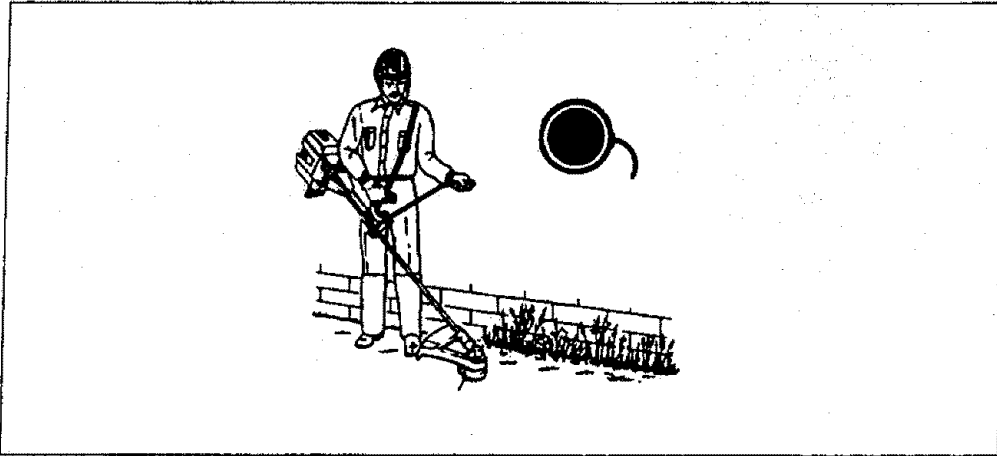
- You may use the opened packing material as a work surface.
- After removing the contents from the carton, check parts against the carton contents list.
- Examine the parts for damage. Do not use damaged parts.
- *Notify Customer Assistance at 1-800-235-5878 immediately if a part is missing or damaged.*

NOTE: It is normal to hear the fuel filter rattle in an empty fuel tank.

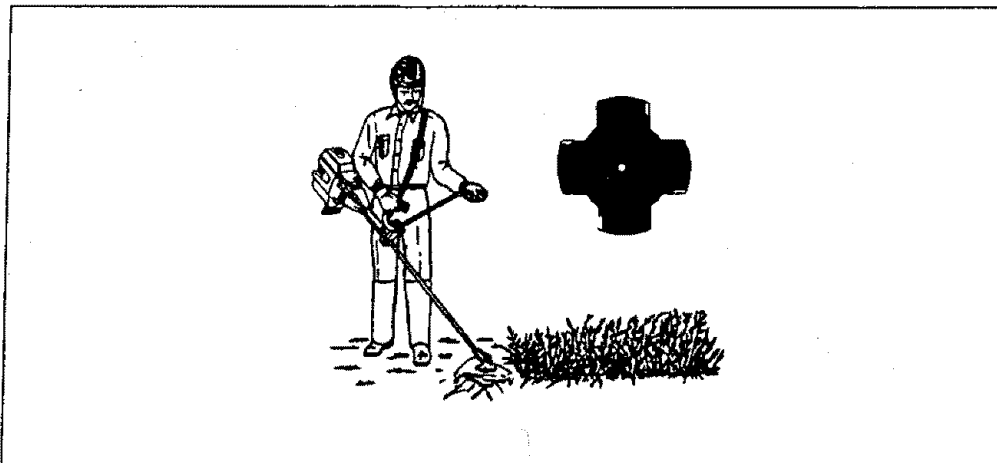
ASSEMBLY

Your brushwacker can be assembled in 3 distinct configurations as follows:

Semi-automatic Head – for grass & light weeds.



Weed Blade – for heavy weeds and light brush.



Brush Blade – for cutting saplings and similar medium.



Go to the section for the desired configuration and follow the instructions as provided.

ASSEMBLY

HOW TO ASSEMBLE YOUR BRUSHWACKER



WARNING:
IF THIS UNIT IS RECEIVED ASSEMBLED, REVIEW ALL STEPS IN THIS SECTION TO BE SURE ASSEMBLY IS CORRECT AND PROPERLY ADJUSTED FOR THE OPERATOR.

TUBE ASSEMBLY (Fig. 1)

NOTE: Make sure the drive shaft does not fall out of the tube. Dirt on the shaft will significantly reduce the life of the unit. If the drive shaft falls out of the housing, clean, re-lubricate, and re-install.

- Insert nose cone screws and nose cone nuts in the nose cone. Tighten with long hex key (provided) just enough to hold parts together.
- Remove the plastic packing cover from the straight end of the tube if so equipped.
- Slightly pull out drive shaft to insert into the square hole inside the nose cone.
- Align the bottom groove in the tube with the ridge on the inner, lower wall of the nose cone opening.
- Firmly push the tube into the nose cone opening until the foam grip is seated against the nose cone.
- Tighten the nose cone screws securely and evenly.
- Prior to handlebar assembly, ensure that cable harness and throttle handle assembly are routed underneath the tube and foam grip.

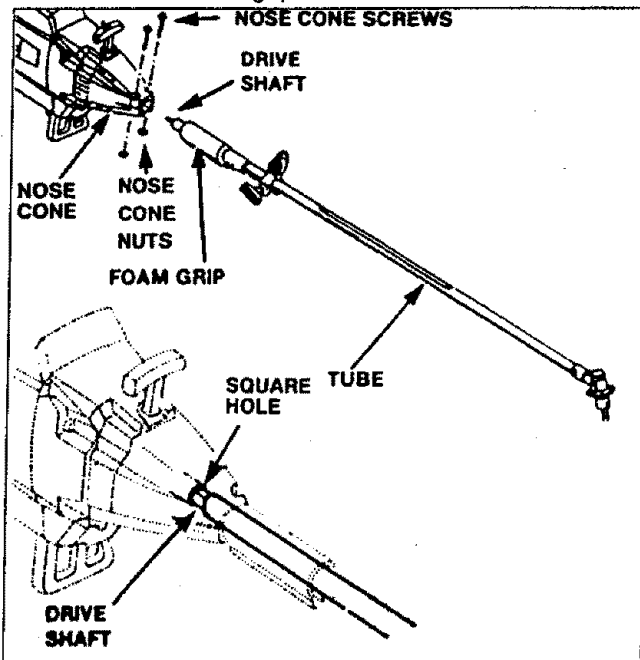


Figure 1

HANDLEBAR ASSEMBLY (Fig. 2)



DANGER:
THE HANDLEBAR MUST BE ASSEMBLED CORRECTLY IN THE MOUNTING BRACKET SO THE HANDLEBAR IS A BARRIER TO KEEP THE OPERATOR'S FEET FROM BEING CUT BY THE BLADE.

- Align the handlebar with the straight barrier portion to the left and the curved portion to the right.

NOTE: Be sure the barrier portion of the handlebar is to the left of the tube (for operator).

- Position the mounting block between the arrows on the

- short, straight section of the handlebar.
- Place the cover over the handlebar and secure it with two screws, finger tight only.
- Be sure the handlebar is installed correctly, then tighten each screw securely and evenly.

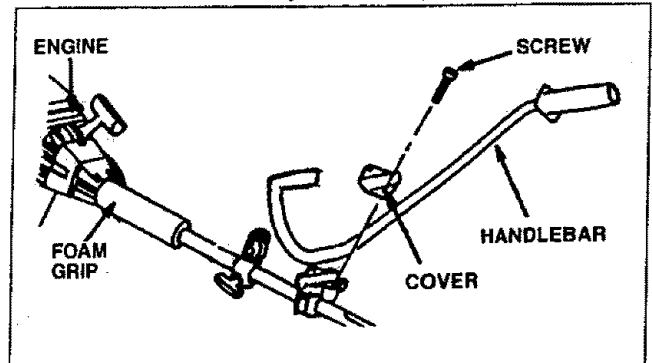


Figure 2

INSTALLING THE PLASTIC DEBRIS SHIELD (Fig. 3)



WARNING:
THE LINE LIMITER IS SHARP AND CAN CUT YOU. BE SURE TO WEAR GLOVES WHILE WORKING WITH THE LINE LIMITER.

THE DEBRIS SHIELD MUST BE PROPERLY INSTALLED FOR ALL LINE TRIMMER USAGE. DEBRIS SHIELD PROVIDES PARTIAL PROTECTION FROM THE RISK OF THROWN OBJECTS TO THE OPERATOR AND OTHERS.

FAILURE TO INSTALL DEBRIS SHIELD IN THE POSITION SHOWN IN FIGURES 3 AND 4 CAN RESULT IN SERIOUS INJURY TO THE OPERATOR.

Weed and Brush Blade configurations follow after this Weedwacker configuration section.

If the metal shield is installed on the unit, you must first remove the flanged hex nut, beveled washer, flat washer, dust cup, retention plate and metal debris shield before installing the plastic debris shield and semi-automatic head.

- Remove the dust cup from the arbor shaft (ref. Fig. 3).
- Place debris shield under the gear box and align screw holes. Make sure the widest part of the debris shield is pointing toward the engine.
- Insert the four screws through the gear box into the debris shield.
- Tighten the screws evenly and securely using the long hex key (provided).

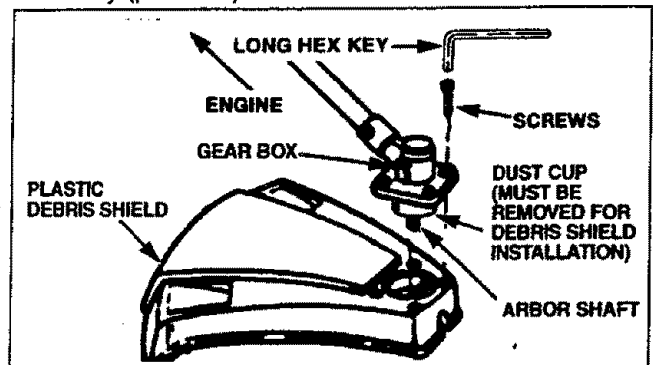


Figure 3

ASSEMBLY

SEMI-AUTOMATIC HEAD ASSEMBLY (Fig. 4)

- Ensure the plastic debris shield is in place and secured.
- Install dust cup over the arbor shaft.
- Align the hole in the dust cup with the hole in the center front of the gear box by turning the dust cup.
- Install the grass washer over the arbor shaft. Make sure the grass washer is against and curved over the dust cup.
- Start threading the semi-automatic head onto the arbor shaft (counterclockwise).
- Insert the short hex key (provided) into the aligned holes to keep the arbor shaft from turning.
- Tighten the semi-automatic head while holding the short hex key.
- Remove the short hex key.

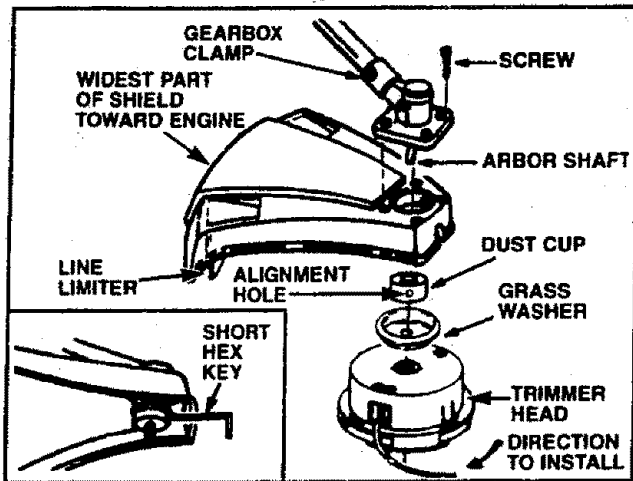


Figure 4

THROTTLE HANDLE ASSEMBLY (Fig. 5 & 6)

- Remove the screw from the throttle handle.
- Slide the throttle handle onto the right side of the handlebar and align the screw hole.
- Placing the engine on your right side, with the shaft of the unit extending to the front, the throttle handle should be in your right hand.

IMPORTANT: REFER TO THE ILLUSTRATION ON THE FRONT COVER FOR PROPER POSITION. MAKE SURE THE ENGINE SWITCH IS LOCATED ON THE TOP OF THE HANDLEBAR.

- Insert screw and tighten with hex key.

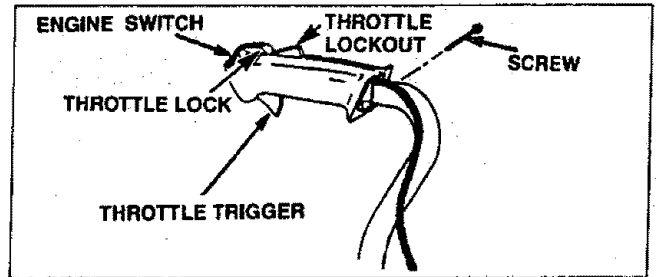


Figure 5

- After attaching the throttle handle assembly and handlebar to the unit, rout the cable harness assembly through the slit in the bottom of the foam grip.

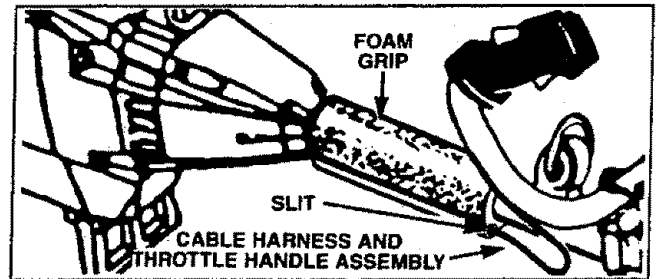


Figure 6

ASSEMBLY

BRUSHWACKER CONFIGURATION

Assembly information for Weedwacker configuration is located before this section, the Brush Blade configuration follows after this section.



DANGER:
THE METAL SHIELD MUST BE PROPERLY INSTALLED ON THE TOOL ANYTIME THE TOOL IS USED WITH THE BLADE. THE FORWARD TIP ON THE METAL SHIELD HELPS TO REDUCE THE OCCURRENCE OF BLADE THRUST WHICH CAN CAUSE SERIOUS INJURY SUCH AS AMPUTATION TO THE OPERATOR OR BYSTANDERS.

FAILURE TO INSTALL THE DEBRIS SHIELD IN THE POSITION SHOWN CAN RESULT IN SERIOUS INJURY TO THE OPERATOR. THE LENGTH OF THE DEBRIS SHIELD MUST BE ALIGNED WITH THE LENGTH OF THE DRIVE SHAFT HOUSING.

THE BLADE IS SHARP AND CAN CUT YOU. BE SURE TO WEAR GLOVES WHILE WORKING WITH BLADES

METAL DEBRIS SHIELD ASSEMBLY (Fig. 7)

NOTE: If your unit is equipped as a line trimmer, remove the semi-automatic head, grass washer, and plastic debris shield. Store parts for future use.

- Remove and discard the packing cover from the arbor shaft, if so equipped.
- Remove the dust cup. Save for later use.
- Position the retention plate on the underside of the metal debris shield and align screw holes. Make sure the flat side of the plate is against the metal debris shield.
- Hold the retention plate in position and place the metal debris shield under the gear box. Align screw holes.
- Insert the four metal debris shield screws one at a time through the gear box and debris shield, then thread them into the retention plate.
- Tighten the debris shield screws evenly and securely with the long hex key (provided).

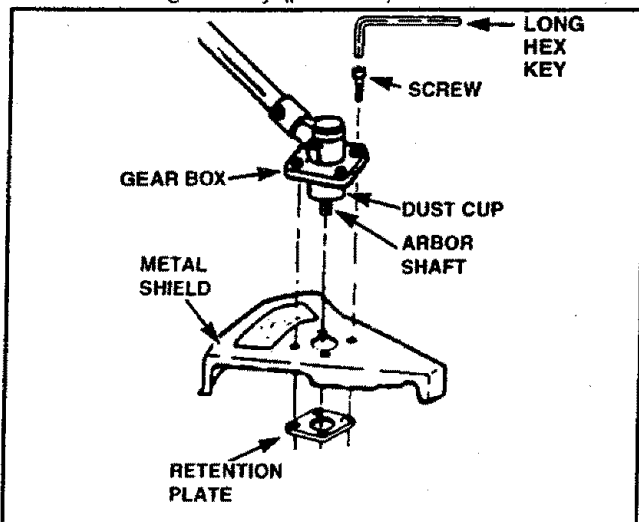


Figure 7

WEED BLADE ASSEMBLY (Fig. 8)

- Install the dust cup over the arbor shaft.
 - Install blade over arbor shaft, making sure the hole in the center of the blade is fitted around the raised center on the dust cup.
 - Install the large flat washer, beveled washer and flanged hex nut as shown. Be sure beveled washer is installed as shown in Figure 8 (inset).
 - Align hole in the dust cup with the hole in the side of the gear box by turning the dust cup.
 - Insert the short hex key (provided) into the aligned holes.
 - While holding the short hex key in position, firmly tighten flanged hex nut counterclockwise with a wrench.
 - Remove the short hex key.
 - Turn blade by hand. If the blade binds against the metal debris shield, blade is not centered. Reinstall blade.
- NOTE:** To remove the blade, align holes as in step above; then, insert the short hex key. Unthread hex flange nut and remove parts. Be sure to store the blade, flat washer, cupped washer, and hex flange nut for future use.

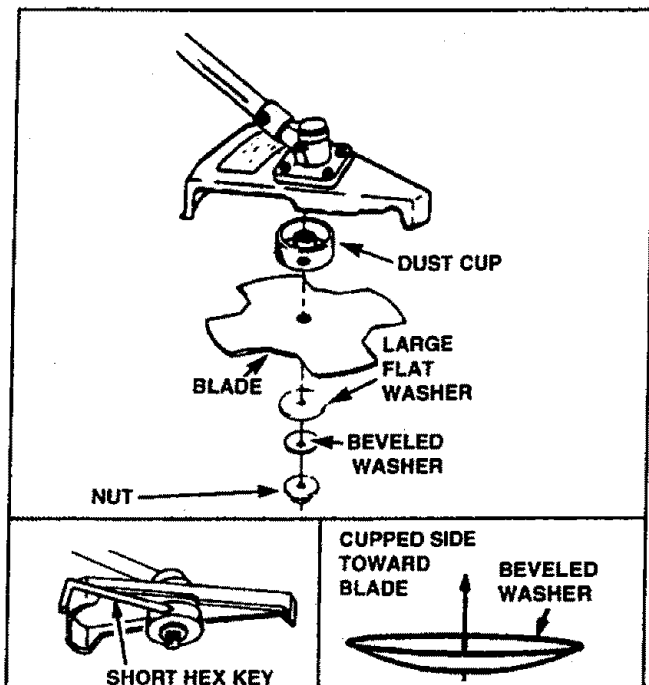


Figure 8

BRUSH BLADE ASSEMBLY (Fig. 9)

Assembly information for Weedwacker configuration is located before this section.

If plastic debris shield is installed on the unit, you must first remove the semi-automatic head and plastic debris shield before installing metal debris shield and blade. If you have already configured your unit for weed blade use, you have already installed the metal shield and should remove the weed blade.

- Install the dust cup over the arbor shaft.
- Install blade over arbor shaft, making sure the hole in the center of the blade is fitted around the raised center on the dust cup.

ASSEMBLY

NOTE: If installing brush blade, make sure teeth on blade are oriented as shown in Figure 9.

- Install the large flat washer, beveled washer and flanged hex nut. Be sure beveled washer is installed as in Figure 9 (inset).
- Align hole in the dust cup with the hole in the side of the gear box by turning the nut.
- Insert the short hex key (provided) into the aligned holes.
- While holding the short hex key in position, firmly tighten flanged hex nut counterclockwise with a wrench.
- Turn blade by hand. If the blade binds against metal debris shield, blade is not centered. Reinstall blade.

NOTE: To remove the blade, reverse installation steps. Unthread flanged hex nut and remove parts. Be sure to store the blade, large flat washer, beveled washer and flanged hex nut for future use.

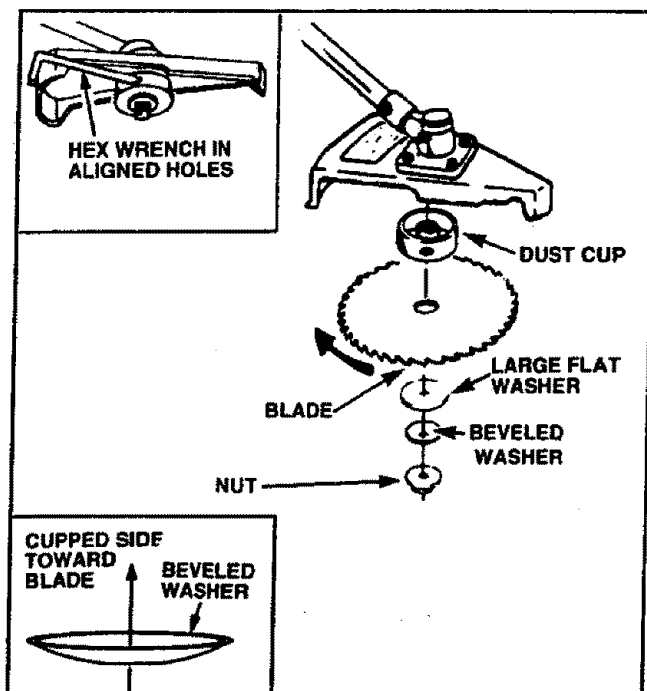


Figure 9

NOTE: A one-half twist is built in the shoulder strap to allow the strap to rest flat on the shoulder.

- Adjust the strap so that the hook will be about 6 inches below the waist.
- Fasten shoulder strap hook to clamp located between the foam grip and mounting block and lift tool to the operating position.

Check the following:

- Left arm extended, hand holding handlebar grip.
- Right hand holding trigger handle, fingers on throttle trigger.
- Engine below waist level.
- Shoulder strap pad centered on left shoulder.
- Danger sign centered on your back.
- Full weight of tool on left shoulder.
- Without operator bending over, the blade or semi-automatic head is near and parallel to the ground and easily contacts material to be cut.

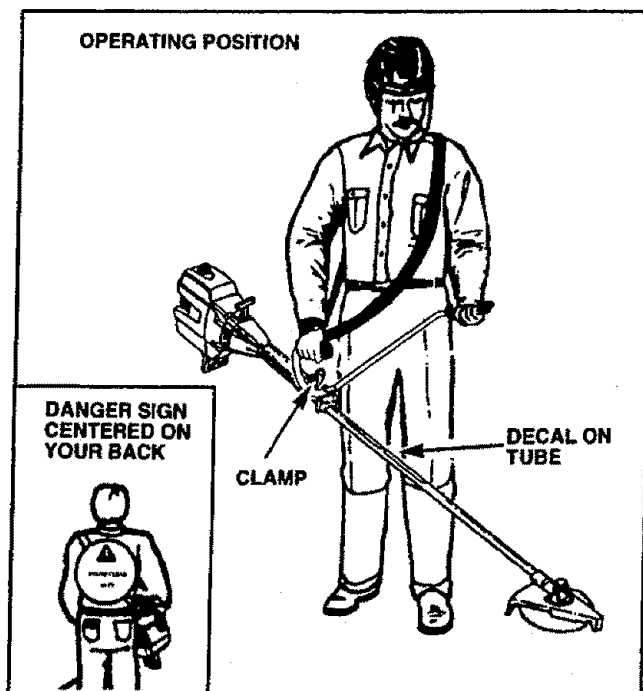


Figure 10

SHOULDER STRAP ASSEMBLY (Fig. 10)



WARNING:
**PROPER SHOULDER STRAP AND
 HANDLEBAR ADJUSTMENTS BEFORE
 STARTING THE ENGINE ARE REQUIRED**

- Try on shoulder strap and adjust for fit and balance before starting the engine and beginning a cutting operation.
- Insert your right arm and head through the shoulder strap and allow it to rest on your left shoulder. Make sure the danger sign is on your back and the hook is to the right side of your waist.

CHECK LIST

- Check all fasteners. Make sure they are tight and there are no loose parts.
- Check to make sure the *throttle cable* is positioned correctly.
- Check the blade. Make sure the blade is secure and will not move from side to side.
- Turn the blade by hand. If the blade binds against the shield or wobbles, the blade is not centered. Reinstall the blade.
- Make sure the long arm of the handlebar extends to the left of the tube and in front of the operator.
- With the unit held in the operating position, adjust the assist handle up or down the tube for best comfort and balance before first use.

OPERATION

KNOW YOUR BRUSHWACKER (Fig. 11)

READ THIS OPERATIONS MANUAL AND SAFETY RULES BEFORE OPERATING YOUR BRUSHWACKER. Compare the illustrations with your unit to familiarize yourself with the location of the various controls and adjustments.

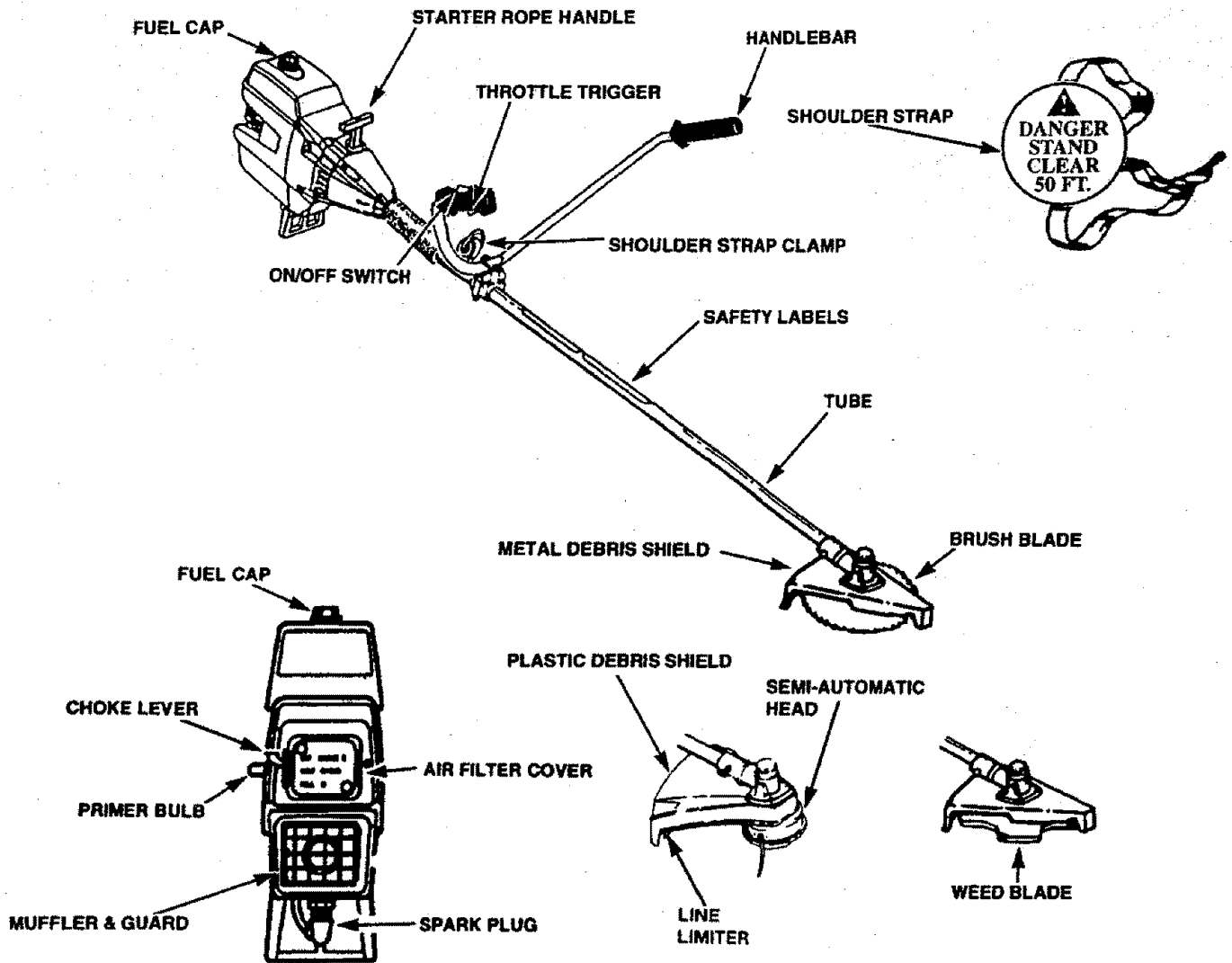


Figure 11

The **ON/OFF SWITCH** is used to stop the engine.

The **STARTER ROPE HANDLE** is used for starting the engine.

The **PRIMER BULB** circulates fuel to the carburetor.

The **CHOKE LEVER** is used for starting cold engine.

The **HANDLEBAR** aids in the control of the unit.

The **THROTTLE TRIGGER** controls engine speed.

The **SEMI-AUTOMATIC HEAD** contains spool of line which advances when head is tapped on the ground.

The **WEED BLADE** is designed to cut grass, weeds, and woody brush up to 1/2 inch in diameter.

The **BRUSH BLADE** is designed to cut grass, weed, and woody brush and small trees up to 2 1/2 inches in diameter.

The **LINE LIMITER** cuts trimmer line automatically to the correct length.

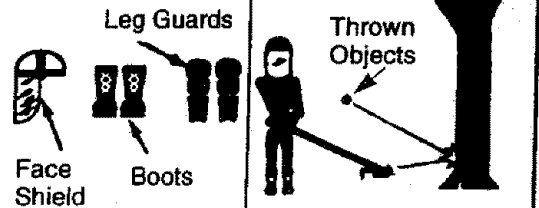
OPERATION SAFETY

BLADE SAFETY

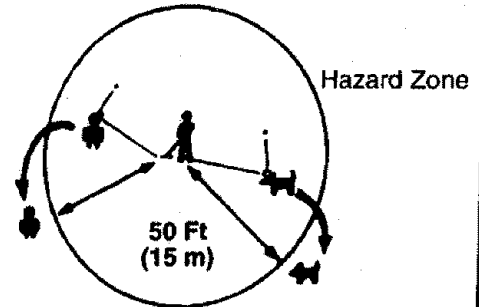


WARNING

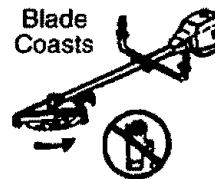
THROWN OBJECTS – THE RAPIDLY MOVING BLADE CAUSES OBJECTS TO BE THROWN VIOLENTLY. THE SHIELD WILL NOT PROVIDE COMPLETE PROTECTION TO THE OPERATOR OR OTHERS. THE OPERATOR MUST WEAR A SAFETY FACE SHIELD OR GOGGLES. ALWAYS WEAR SAFETY LEG GUARDS AND BOOTS. KEEP OTHERS AT LEAST 50 FEET (15 METERS) AWAY.



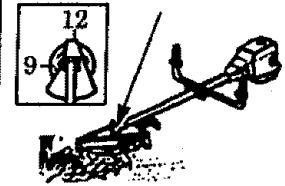
HAZARD ZONE – THIS UNIT WILL THROW OBJECTS AND CUT. KEEP OTHERS INCLUDING CHILDREN, ANIMALS, BYSTANDERS, AND HELPERS AT LEAST 50 FEET (15 METERS) AWAY FROM THE OPERATOR AND UNIT. STOP THE ENGINE AND BLADE IMMEDIATELY IF YOU ARE APPROACHED. IN AREAS WHERE OTHER PEOPLE AND ANIMALS ARE PRESENT, SUCH AS NEAR SIDEWALKS, STREETS, HOUSES, ETC., IT IS STRONGLY RECOMMENDED THAT THE OPERATOR USE THE BUDDY SYSTEM; THAT IS, HAVE ANOTHER PERSON SERVE AS A "LOOK OUT" KEEPING HIMSELF AND OTHERS AT LEAST 50 FEET (15 METERS) AWAY FROM THE OPERATOR.



COASTING BLADE – THE BLADE CONTINUES TO SPIN AFTER THE ENGINE IS STOPPED OR THE THROTTLE IS RELEASED. THE COASTING BLADE CAN THRUST, THROW OBJECTS, OR SERIOUSLY CUT YOU IF ACCIDENTALLY TOUCHED. STOP THE BLADE BY LEAVING IT IN CONTACT WITH MATERIAL ALREADY CUT. USE THE "9 O'CLOCK" POSITION AS THE POINT OF CONTACT.



Stop Coasting Blade by Contact with Cut material.



OPERATOR SAFETY

- Always wear eye protection when operating, servicing, or performing maintenance on your unit. Refer to "Accessories."
- Always wear long pants, long sleeves, boots and gloves. Wearing safety leg guards is recommended. Do not go barefoot or wear sandals, short pants, short sleeves. Being fully covered helps to protect you from pieces of toxic plants thrown by the blade or cutting head.
- Secure hair so it is above shoulder length. Secure loose clothing or jewelry, or clothing with loosely hanging ties, straps, tassels, etc.; they can be caught in moving parts.
- Do not operate this unit when you are tired, ill, or under the influence of alcohol, drugs, or medication.
- Always use the handlebar and a properly adjusted shoulder strap. Refer to "Assembly" and "Operation".
- Do not swing the unit with such force that you are in danger of losing your balance.
- Never start or run the engine inside a closed room or building. Breathing exhaust fumes can kill.
- Keep handles free of oil and fuel.

UNIT SAFETY

- Inspect the entire unit before each use. Replace damaged parts. Check for fuel leaks and make sure all handles, guards, and fasteners are in place and secure.
- Be sure the metal blade shield is properly attached. The metal blade shield *must* be installed for all blade usage.

- Make sure the blade is properly installed and securely fastened. Refer to "Assembly."
- Be sure the blade stops turning when the engine idles. Refer to "Trouble Shooting Chart."
- Make carburetor adjustments with the drive shaft housing supported to prevent the blade from contacting any object.
- Hold unit by hand; do not use harness for support.
- Keep others away when making carburetor adjustments.
- Have all maintenance and service not explained in this manual performed by a Sears Service Center.
- Use only Sears blades and accessories.

CUTTING SAFETY

- Inspect the area to be cut before each use. Remove objects (rocks, broken glass, nails, wire, string, etc.) which can be thrown or become entangled in the blade.
- Always keep the engine on the right side of your body. Hold the unit firmly with both hands.
- Keep firm footing and balance. Do not over-reach.
- Keep blade below waist level.
- Do not raise the engine above your waist. The blade can come dangerously close to your body.
- Cut at full throttle.
- Cut from your right to your left.
- Use only for jobs explained in this manual. Do not use the blade as an edger. The shield does not provide adequate protection.

OPERATION SAFETY

BLADE SAFETY

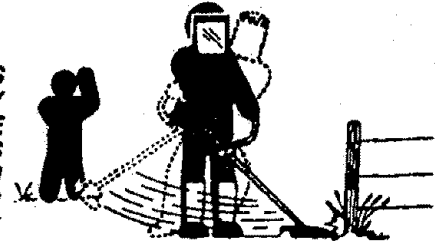


DANGER

THIS POWER UNIT CAN BE DANGEROUS! THIS UNIT CAN CAUSE SERIOUS INJURY OR BLINDNESS TO THE OPERATOR AND OTHERS. THE WARNINGS AND SAFETY INSTRUCTIONS IN THIS MANUAL MUST BE FOLLOWED TO PROVIDE REASONABLE SAFETY AND EFFICIENCY IN USING THIS UNIT. THE OPERATOR IS RESPONSIBLE FOR FOLLOWING THE WARNINGS AND INSTRUCTIONS IN THIS MANUAL AND ON THE UNIT. READ THE ENTIRE OPERATOR'S MANUAL BEFORE ASSEMBLING AND USING THIS UNIT! RESTRICT THE USE OF THIS POWER UNIT TO PERSONS WHO READ, UNDERSTAND AND FOLLOW THE WARNINGS AND INSTRUCTIONS IN THIS MANUAL AND ON THE UNIT.

BLADE THRUST – WHEN THE SPINNING BLADE CONTACTS ANYTHING IT CANNOT CUT, A DANGEROUS REACTION MAY OCCUR CAUSING THE ENTIRE UNIT AND OPERATOR TO BE THRUST VIOLENTLY IN ANY DIRECTION. THIS REACTION IS CALLED BLADE THRUST. AS A RESULT, THE OPERATOR CAN LOSE CONTROL OF THE UNIT. USE HANDLEBAR, SHOULDER HARNESS, AND KEEP METAL BLADE SHIELD IN PLACE. MAKE SURE OTHERS ARE AT LEAST 50 FEET (15 METERS) AWAY. KEEP BLADE SHARP. CUT AT FULL THROTTLE AND FROM YOUR RIGHT TO LEFT. KEEP HANDS, FEET AND UNIT IN PROPER POSITION; REFER TO “GUARD AGAINST BLADE THRUST.”

PROPER BLADE – USE ONLY THE 8" BRUSH BLADE OR 8" WEED BLADE AND PROPER HARDWARE AS SHOWN. THE USE OF ANY OTHER PARTS CAN RESULT IN SERIOUS INJURY. DO NOT USE ANY ACCESSORY OR ATTACHMENT OTHER THAN THOSE RECOMMENDED BY THE MANUFACTURER FOR USE WITH THIS UNIT. BLADES THAT ARE BENT, WARPED, CRACKED, BROKEN, OR DAMAGED CAN FLY APART AND CAUSE SERIOUS INJURY. DO NOT USE; THROW AWAY.

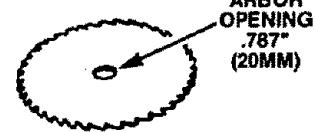


BLADE THRUST



ARBOR
OPENING
.787"
(20MM)

8" WEED BLADE



ARBOR
OPENING
.787"
(20MM)

8" BRUSH BLADE

BLADE THRUST IS a reaction that only occurs when using a bladed unit. This reaction can cause serious injury such as amputation. Carefully study this section. It is important that you understand what causes *blade thrust*, how you can reduce the chance of it occurring, and how you can remain in control of the unit if *blade thrust* occurs.

WHAT CAUSES BLADE THRUST?

Blade Thrust can occur when the spinning blade contacts an object that it does not cut. This contact causes the blade to stop for an instant and then suddenly move or "thrust" away from the object that was hit. The "thrusting" reaction can be violent enough to cause the operator to be propelled in any direction and lose control of the unit. The uncontrolled unit can cause serious injury if the blade contacts the operator or others.

WHEN DOES BLADE THRUST OCCUR?

Blade thrust can occur without warning if the blade snags, stalls, or binds. This is more likely to occur in areas where it is difficult to see the material being cut. By using the unit properly, the occurrence of *blade thrust* will be reduced and the operator will be less likely to lose control.

The forward tip on the metal blade shield helps to reduce the occurrence of *blade thrust* but cannot prevent the occurrence. The operator must follow all warnings and safety instructions in this manual to lessen the chance of *blade thrust* occurring and to maintain control of unit if the reaction does occur.

REDUCE THE CHANCE OF BLADE THRUST

- Cut vegetation up to 2 1/2" diameter saplings with saw blade.
- Cut only grass, weeds, and woody brush up to 1/2" in diameter with the brush tri-blade. Do not let the blade contact material it cannot cut such as stumps, rocks, fences, metal, etc., or clusters of hard, woody brush having a diameter greater than 2 1/2 inches.
- Keep the blade sharp. A dull blade is more likely to snag and thrust.
- Cut only at full throttle. The blade has maximum cutting power at full throttle and is less likely to bind or stall.
- "Feed" the blade deliberately and not too rapidly. The blade can thrust away if it is fed too rapidly.
- Cut only from your right to your left.

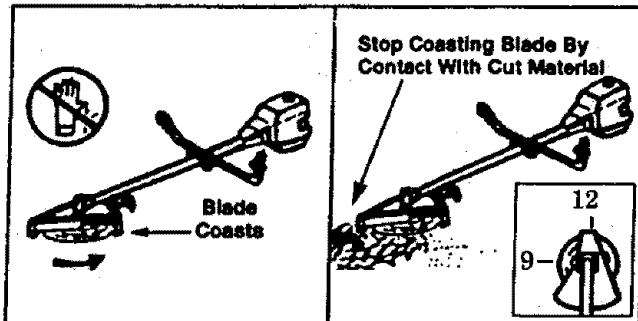
OPERATION



WARNING:
THE BLADE CONTINUES TO SPIN AFTER THE ENGINE IS TURNED OFF. THE COASTING BLADE CAN SERIOUSLY CUT YOU IF ACCIDENTALLY TOUCHED.

THE OPERATOR OR OTHERS MUST NOT TRY TO CLEAR AWAY CUT MATERIAL WITH THE ENGINE RUNNING OR THE BLADE TURNING.

STOP ENGINE AND BLADE BEFORE REMOVING MATERIALS WRAPPED AROUND THE BLADE SHAFT.



BLADE OPERATING TIPS (Fig. 12)

To establish a rhythmic cutting procedure:

- Plant feet firmly, comfortably apart.
- Cut while swinging the upper part of your body from right to left.
- Move forward to the next area to be cut after the return swing and plant feet once more.
- Use the 8 o'clock to 10 o'clock position for cutting.
- Bring the engine to full throttle before entering the material to be cut. The blade has maximum cutting power at full throttle and is less likely to bind, stall, or cause blade thrust, which can result in serious injury to the operator or others. Refer to "Guard Against Blade Thrust".
- Always release throttle trigger and allow engine to return to idle speed when not cutting.
- Cut only from your right to your left. Swinging the unit in the same direction as the blade spins increasing the cutting action.

To reduce the chance of material wrapping around the blade, follow these steps:

- Cut at full throttle.
- Swing the unit into material to be cut from your right to your left.
- Avoid the material just cut as you make the return swing.

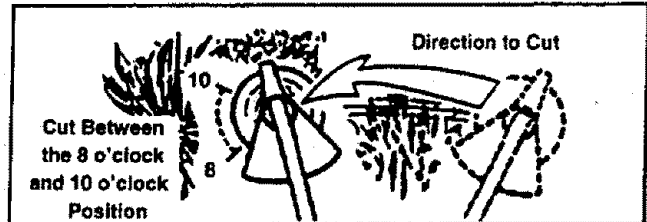


Figure 12

OPERATION SAFETY

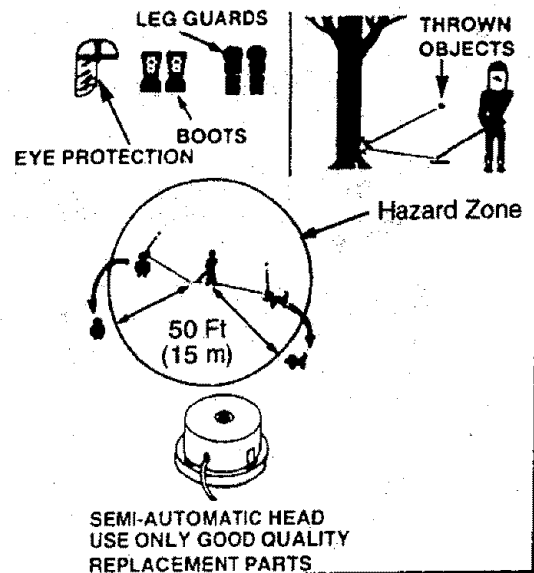
LINE TRIMMER SAFETY



WARNING:
THE RAPIDLY MOVING LINE CAUSES OBJECTS TO BE THROWN VIOLENTLY. THE PLASTIC DEBRIS SHIELD WILL NOT PROVIDE COMPLETE PROTECTION TO THE OPERATOR OR OTHERS. THE OPERATOR MUST WEAR A SAFETY FACE SHIELD OR GOGGLES. ALWAYS WEAR HEAVY, LONG PANTS AND BOOTS. KEEP OTHERS AT LEAST 50 FEET (15 METERS) AWAY.

THIS UNIT WILL THROW OBJECTS AND CUT. KEEP OTHERS INCLUDING CHILDREN, ANIMALS, BYSTANDERS AND HELPERS AT LEAST 50 FEET (15 METERS) AWAY FROM THE OPERATOR AND UNIT. STOP THE ENGINE IF YOU ARE APPROACHED.

TRIMMER HEAD PARTS THAT ARE CHIPPED, CRACKED OR DAMAGED IN ANY OTHER WAY CAN FLY APART AND CAUSE SERIOUS INJURY. DO NOT USE. REPLACE DAMAGED PARTS BEFORE USING THE UNIT.



OPERATOR SAFETY

- Always wear eye protection when operating, servicing, or performing maintenance on your unit. Refer to "Accessories."
- Do not operate this tool when you are tired, ill or under the influence of alcohol, drugs, or medication.
- Always wear long pants, long sleeves, boots and gloves. Wearing safety leg guards is recommended. Do not go barefoot or wear sandals, short pants, short sleeves. Being fully covered helps to protect you from pieces of toxic plants thrown by the blade or cutting head.
- Secure hair so it is above shoulder length. Secure loose clothing or jewelry, or clothing with loosely hanging ties, straps, tassels, etc.; they can be caught in moving parts.
- Do not swing the tool with such force that you are in danger of losing your balance.
- Never start or run the engine inside a closed room or building. Breathing exhaust fumes can kill.
- Keep handles free of oil and fuel.

CUTTING SAFETY

Inspect the area to be cut before each use. Remove objects (rocks, broken glass, nails, wire, string, etc.) which can be thrown or become entangled in the semi-automatic head.

- Always use the shoulder strap.
- Always keep the engine on the right side of your body.
- Hold the unit firmly with both hands.
- Keep firm footing and balance. Do not over-reach.
- Keep the semi-automatic head below waist level.
- Do not raise the engine above your waist.
- Keep all parts of your body away from the semi-automatic head and muffler when engine is running.
- Use only for jobs explained in this manual.
- Cut from your right to your left.

UNIT SAFETY

- Inspect the entire unit before each use. Replace damaged parts. Check for fuel leaks and make sure all handles, guards, and fasteners are in place and securely fastened.
- Use only .080" diameter good quality monofilament line. Never use wire or rope, string, etc.
- Be sure the plastic debris shield is properly attached.
- Make carburetor adjustments with the drive shaft housing supported to prevent the line from contacting any object.
- Keep others away when making carburetor adjustments.
- Use only good quality SEARS accessories or attachments.

OPERATION

HOW TO USE YOUR BRUSHWACKER STOPPING YOUR ENGINE

- Move on/off switch to the "Off" position.
- If engine does not stop, move the choke lever downward (Full Choke).

CONTROLS (Fig. 13, 14, 15 & 16)

THROTTLE TRIGGER

- The throttle trigger allows for variable control of engine speed.
- The throttle trigger is actuated by the index finger on your right hand.

THROTTLE LOCK OUT

- The throttle lock out prevents the throttle trigger from being accidentally activated.
- To activate the throttle lock out, grip the handlebar with your right hand and squeeze.

THROTTLE LOCK

- The throttle lock is used to lock the throttle trigger in the activated position for starting.
- To activate the throttle lock, depress the throttle lock, then squeeze the throttle trigger and hold. With your left hand, depress and hold the throttle lock and release the throttle trigger.

CHOKE

- The choke is set by moving the choke lever down fully for cold or refueled engine starts.

PRIMER BULB

- The primer bulb is used to circulate fuel to the carburetor.
- The primer bulb is activated by pressing on it with your thumb.

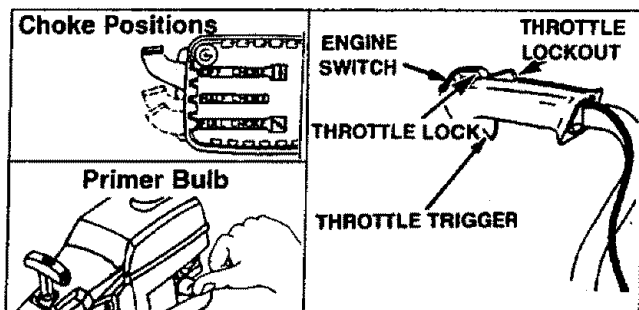


Figure 13

HANDLEBAR

The handlebar is used to aid in the control of the unit, as well as a barrier between the operator and the cutting head.

TO ADJUST THE HANDLEBAR FOR BALANCE AND CONTROL:

- Turn off the engine before adjusting handlebar.
- Put on shoulder strap and hook on the unit.
- Adjust the handlebar by slightly unthreading the top handlebar screws and rotating the handlebar forward or backward. Ensure the mounting brackets remain between the arrows on the handlebar.
- Tighten the handlebar screws before starting the engine.

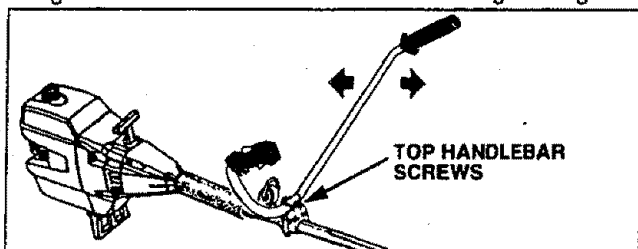


Figure 14

SHOULDER STRAP

The shoulder strap is worn for support and control of the unit.

TO ADJUST THE SHOULDER STRAP FOR PROPER FIT:

- Place shoulder strap on the left shoulder, the Danger sign on the back, and the hook on the right thigh.
- The hook should be roughly 15" (38cm) above your knee, or 6" (15cm) below the waist.
- Attach hook to the shoulder strap clamp on the unit and lift the tool to the operating position.
- Adjust the shoulder harness for balance so the blade or semi-automatic head is level with the ground. A properly adjusted shoulder strap will support the entire weight of the unit, freeing your arms and hands to guide and control the cutting motion.



Figure 15

TRIMMER LINE ADVANCE

Your Brushwacker is equipped with a semi-automatic trimmer head. The most efficient line length is the maximum length allowed by the line limiter.

TO ADVANCE THE LINE:

- Operate the engine at full throttle.
- Hold the semi-automatic head parallel to and above a grassy area.
- Tap the bottom of the semi-automatic head lightly on the ground one time. Approximately 2 inches of line will be advanced with each tap.

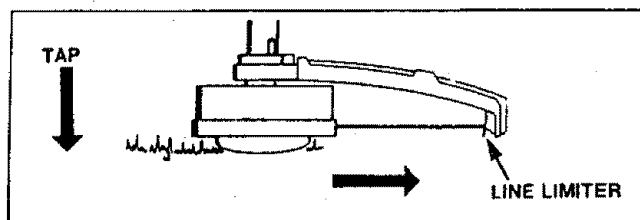


Figure 16

OPERATION

BEFORE STARTING ENGINE:



WARNING:
BE SURE TO READ THE FUEL SAFETY INFORMATION IN THE SAFETY RULES SECTION ON PAGE 2 OF THIS MANUAL BEFORE YOU BEGIN.

IF YOU DO NOT UNDERSTAND THE FUEL SAFETY SECTION DO NOT ATTEMPT TO FUEL YOUR UNIT; SEEK HELP FROM SOMEONE WHO DOES UNDERSTAND THE FUEL SAFETY SECTION OR CALL THE CUSTOMER ASSISTANCE HOTLINE AT 1-800-235-5878.

GASOLINE

The two-cycle engine on this product requires a fuel mixture of regular unleaded gasoline and a high quality 40:1 2-cycle engine oil (AIR-COOLED) for lubrication of the bearings and other moving parts. The correct fuel/oil mixture is 40:1 (see Fuel Mixture Chart). Too little oil or the incorrect oil type will cause poor performance and may cause the engine to overheat and seize.

Gasoline and oil must be premixed in a clean approved fuel container. Always use fresh regular unleaded gasoline.

This engine is certified to operate on unleaded gasoline.

IMPORTANT: Experience indicates that alcohol blended fuels called gasohol (or using ethanol or methanol) can attract moisture, which leads to oil/gas separation and formation of acids during storage. Acidic gas can damage the fuel system of an engine while in storage. To avoid engine problems, the fuel system should be emptied before storage for 30 days or longer. Drain the gas tank, then run the fuel out of the carburetor and fuel lines by starting the engine and letting it run until it stops. Use fresh fuel next season. See STORAGE instructions for additional information. Never use engine or carburetor cleaner products in the fuel tank or permanent damage may occur.

FUEL STABILIZER

Fuel stabilizer is an acceptable alternative in minimizing the formation of fuel gum deposits during storage. Add stabilizer to gasoline in fuel tank or storage container. Always follow the fuel tank or storage container. Always follow the fuel mix ratio found on the stabilizer container. Run engine at least 5 minutes after adding stabilizer to allow the stabilizer to reach the carburetor. You do not have to drain the fuel tank for storage if you are using fuel stabilizer.

CRAFTSMAN 40:1 2-cycle engine oil (AIR-COOLED) is specially blended with fuel stabilizers. If you do not use this Sears oil, you can add a fuel stabilizer (such as CRAFTSMAN No. 33500) to your fuel tank.

40:1 2-CYCLE AIR-COOLED ENGINE OIL

CRAFTSMAN 40:1 2-cycle engine oil (AIR-COOLED) is strongly recommended. This oil is specially blended with fuel stabilizers for increased fuel stability (extends fuel life up to 5 times longer) and reduced smoke.

If CRAFTSMAN 40:1 2-cycle engine oil (AIR-COOLED) is not available, use a good quality 2-cycle engine oil (AIR-COOLED) that has a recommended fuel mix ratio of 40:1.

IMPORTANT! Do no use:

- AUTOMOTIVE OIL
- BOAT OILS (NMMA, BIA, etc.)

These oils do not have proper additives for 2-cycle AIR-COOLED engines and can cause engine damage.

GASOLINE AND OIL MIXTURE

Mix gasoline and oil as follows:

- Consult chart for correct quantities.
- Do not mix gasoline and oil directly in the unit's fuel tank.

FOR ONE GALLON:

- Pour 3.2 ounces of high quality, 40:1 2-cycle engine oil (AIR-COOLED) into an empty, approved one gallon gasoline container.
- Add one gallon of regular unleaded gasoline to the gallon container, then securely replace the cap.
- Shake the container.
- The mixture is now ready for use. Fuel stabilizer can be added at this time if desired; follow mixing instructions on the label.

FUEL MIXTURE CHART

40:1 Fuel:Oil Mix Ratio

<u>Gasoline</u>	<u>Oil (fl. oz.)</u>
1 gallon	3.2
2.5 gallons	8.0

NOTE: Fuel containers may hold more than the specified amount. If too much gasoline is in the container, the resulting gas-to-oil fuel mixture will not be correct for proper engine operation.

OPERATION

STOPPING YOUR ENGINE:

- Move the ON/OFF switch to the OFF position.
- If the engine does not stop, move the choke lever downward (Full Choke).



DANGER:
THE BLADE OR SEMI-AUTOMATIC HEAD
WILL TURN WHEN THE ENGINE STARTS.

FOR SAFE STARTING AND OPERATION,
FOLLOW ALL SAFETY PRECAUTIONS IN
THIS OPERATOR'S MANUAL AND
LABELS ON THE UNIT. DRESS PROPERLY
BEFORE STARTING ENGINE.

AVOID ANY CONTACT WITH THE MUF-
FLER. A HOT MUFFLER CAN CAUSE
SERIOUS BURNS.

TO START ENGINE (Fig. 17 & 18)

COLD ENGINE START AND WARM ENGINE START AFTER RUNNING OUT OF FUEL

- Fuel engine with 40:1 fuel mix (3.2 oz. to 1 gal. gas).
Move 10 feet (3 meters) away from fueling site.

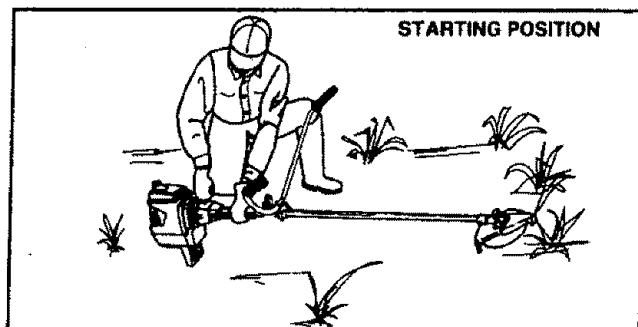


Figure 17

- Move the ON/OFF switch to the ON position.
- Prime engine by pressing primer bulb six times.
- Actuate choke by moving the choke lever to the "Full Choke" position.
- Squeeze and hold the throttle lockout and throttle trigger. Next depress the throttle lock and hold. Now release the throttle trigger. Be sure the throttle trigger is still in the activated position.
- Rest the engine and debris shield on ground, supporting semi-automatic head or blade off the ground.

NOTE: When pulling the starter rope, do not use the full extent of the rope as this can cause the rope to break. Do not let the starter rope snap back. Hold the handle and let the rope rewind slowly.

- **IF THE THROTTLE TRIGGER IS SQUEEZED ACCIDENTALLY DURING STARTING IT WILL BE NECESSARY TO RESET THE THROTTLE LOCK.**

- Pull starter rope sharply five times.

The engine may sound as if it is trying to start before the fifth pull. If so, go to the next step immediately.

- Move the choke lever to the "Half Choke" position.
- Pull the starter rope sharply until the engine runs, but no more than six pulls.

Once the engine starts, allow the engine to run 15 seconds, then move the choke lever to "Off Choke." Allow the engine to run for 30 more seconds at "Off Choke" before releasing the throttle trigger.

NOTE: If the engine has not started after 6 pulls (at half choke), check to make sure the ON/OFF switch and the choke lever are in the proper positions. Then, move the choke lever to the full choke position and press the primer bulb 6 times; pull the starter rope 2 more times. Move the choke lever to half choke and pull the starter rope until the engine runs, but no more than 6 more pulls.

NOTE: If engine still has not started, it is probably flooded. Proceed to "Difficult Starting and Flooded Engine."

- Allow the engine to run 10 seconds, then move the choke lever to off choke. Allow the unit to run for 30 more seconds at "Off Choke," then release the throttle trigger.

NOTE: If engine dies with the choke lever at the "Off Choke" position, move the choke lever to half choke and pull the rope until the engine runs. Allow the unit to run for 30 more seconds at "Off Choke," then release the throttle trigger.

- To stop the engine, move the ON/OFF switch to the OFF position.

STARTING A WARM ENGINE

- Move choke lever to the "Off Choke" position.
- Squeeze throttle trigger.
- Pull starter rope until engine starts.

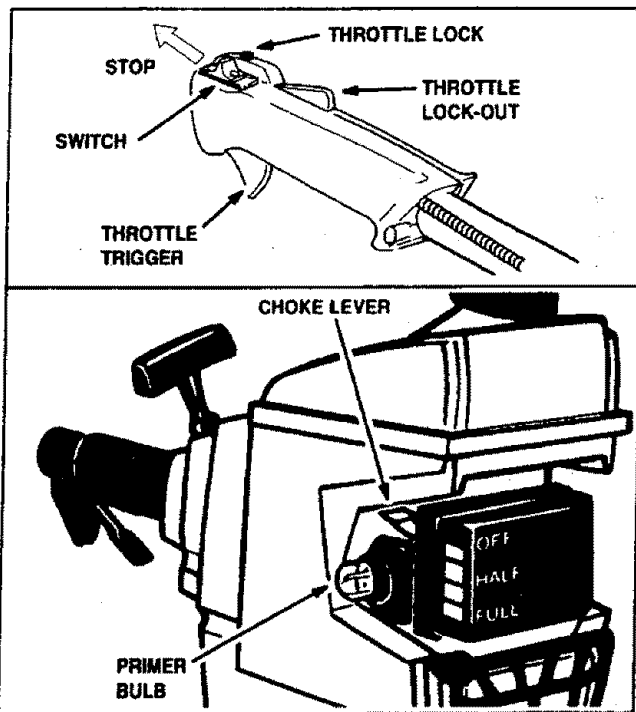


Figure 18

DIFFICULT STARTING AND FLOODED ENGINE

The engine may be flooded with too much fuel if it has not started after 20 pulls.

Flooded engines can be cleared of excess fuel with the following procedure:

- Move the choke lever to the "Off Choke" position.
- Squeeze and hold the throttle trigger.
- Pull starter rope handle until engine starts.

Starting could require pulling starter rope handle many times depending on how badly unit is flooded.

If engine still fails to start, refer to "TROUBLE SHOOTING" chart or call the 1-800 number listed on the front cover of this manual.

OPERATION

LINE TRIMMER OPERATING TIPS (Fig. 19)



WARNING:

USE MINIMUM SPEED AND DO NOT CROWD THE LINE WHEN CUTTING AROUND HARD OBJECTS (ROCK, GRAVEL, FENCE POSTS, ETC.), WHICH CAN DAMAGE THE SEMI-AUTOMATIC HEAD, BECOME ENTANGLED IN THE LINE, OR BE THROWN CAUSING A SERIOUS HAZARD.

ALWAYS WEAR EYE PROTECTION. NEVER LEAN OVER THE SEMI-AUTOMATIC HEAD. ROCKS OR DEBRIS CAN RICOCHET OR BE THROWN INTO EYES AND FACE AND CAUSE BLINDNESS OR OTHER SERIOUS INJURY.

- For trimming or scalping, use partial throttle to increase line life, especially:
 - during light duty cutting.
 - near objects around which the line can wrap or wear line such as small posts, trees, fence wire or concrete.
- The line will easily remove grass and weeds from around walls, fences, trees and flower beds; but, it also can cut the tender bark of trees or shrubs and scar fences. To help avoid damage especially to delicate vegetation or trees with tender bark, shorten line to 4-5 inches and use at partial throttle.
- The tip of the line does the cutting. You will achieve the best performance and minimum line wear by not crowding the line into cutting area.
- Always release throttle trigger and allow engine to return to idle speed when not cutting.
- Hold bottom of the semi-automatic head about 3 inches above ground and at an angle.

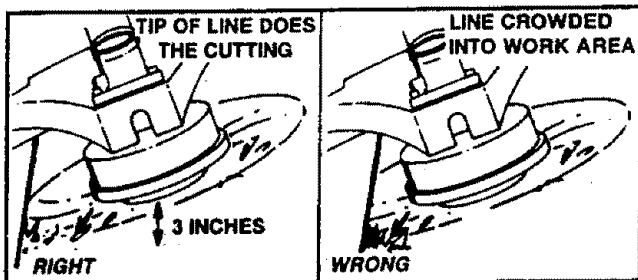


Figure 19

TECHNIQUES (Fig. 20, 21, 22 & 23)

- **TRIMMING** – Allow only the tip of the line to make contact. Do not force trimmer line into work area.

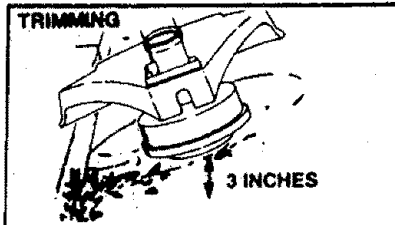


Figure 20

REMEMBER
Keep semi-automatic head 3 inches above the ground while trimming.

- **SCALPING** – The scalping technique removes unwanted vegetation. Allow the tip of the line to strike the ground around trees, post, monuments, etc. *This technique increases line wear.*

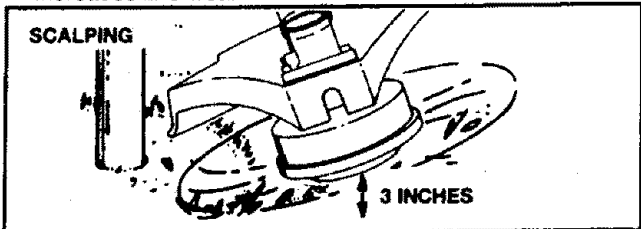


Figure 21

- **MOWING** – Your trimmer is ideal for mowing in places conventional lawn mowers cannot reach. Keep the line parallel to the ground.

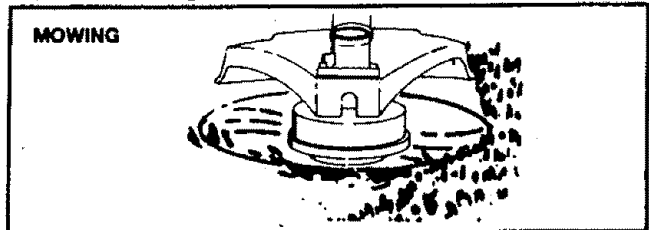


Figure 22

- **SWEEPING** – The fanning action of the rotating line can be used for a quick and easy clean up. Keep the line parallel to and above the surfaces being swept and move unit from side to side.

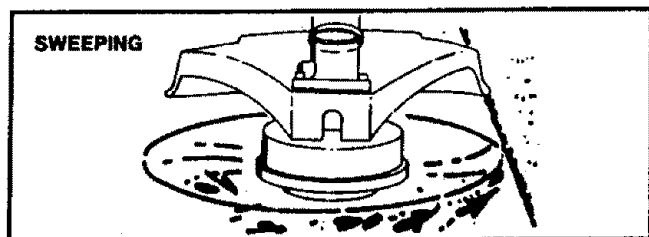


Figure 23

CUSTOMER RESPONSIBILITIES

MAINTENANCE SCHEDULE

Fill in dates as you complete regular service	Before Use	After Use	Every 5 Hrs.	Every 25 Hrs.	Yearly	Service Dates			
Check for damaged or worn parts	✓								
Check for loose fasteners & parts	✓								
Clean unit & labels		✓							
Clean air filter			✓						
Clean/Inspect Spark Arrestor Screen (if installed) and Muffler				✓					
Drive Shaft Lubrication					✓				
Replace spark plug						✓			
Replace fuel filter							✓		
Check gearbox lubrication								✓	

GENERAL RECOMMENDATIONS

The warranty on this unit does not cover items that have been subjected to operator abuse or negligence. To receive full value from the warranty, the operator must maintain unit as instructed in this manual.

Some adjustments will need to be made periodically to properly maintain your unit.

All adjustments in the "Service and Adjustments" section of this manual should be checked at least once each season.

- Once a year, replace the spark plug, replace air filter element and check blades and semi-automatic head for wear. A new spark plug and a clean/new air filter element assures proper air-fuel mixture and helps your engine run better and last longer.
- Follow the maintenance schedule in this manual.



WARNING
DISCONNECT THE SPARK PLUG BEFORE PERFORMING MAINTENANCE EXCEPT FOR CARBURETOR ADJUSTMENTS.

REPLACE BLADE OR SEMI-AUTOMATIC HEAD PARTS THAT ARE CRACKED, CHIPPED, OR DAMAGED IN ANY OTHER WAY BEFORE USING THE UNIT.

INSPECT THE ENTIRE UNIT. REPLACE DAMAGED PARTS. CHECK FOR FUEL LEAKS AND MAKE SURE ALL FASTENERS ARE IN PLACE AND SECURELY FASTENED.

BEFORE USE

CHECK FOR DAMAGED OR WORN PARTS

- Blades – replace blades that are bent, warped, cracked or damaged in any way.
- Semi-automatic head – replace semi-automatic head parts that are bent, warped, cracked, or damaged in any way.
- Fuel cap – replace broken or leaking fuel cap.
- Debris shields – replace debris shields that are bent, warped, cracked, or damaged in any way.
- Line limiter – missing or damaged.

CHECK FOR LOOSE FASTENERS AND PARTS

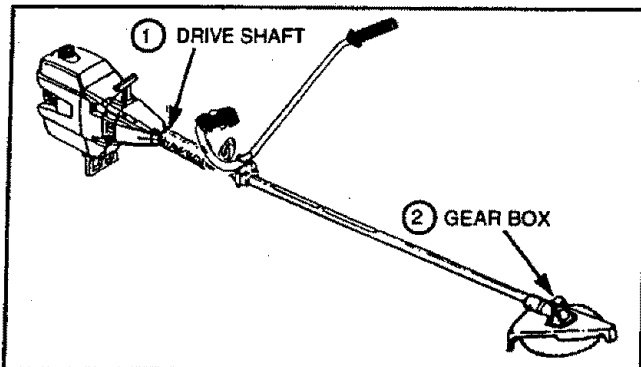
- Blade nut
- Semi-automatic head
- Assist handle
- Throttle handle
- Cylinder and muffler cover
- Air filter cover
- Muffler
- Line limiter – missing or damaged.

AFTER USE

CLEAN UNIT AND LABELS

- Clean the unit using a damp cloth with a mild detergent after use.
- Wipe off the unit with a clean dry cloth.

LUBRICATION CHART



- ① General purpose lithium base grease.
- ② General purpose lithium base grease.

CUSTOMER RESPONSIBILITIES

EVERY 5 HOURS CLEAN AIR FILTER (Fig. 24)

A dirty air filter decreases the life and performance of the engine and increases fuel consumption and harmful emissions.

Always clean after 5 tanks of fuel or 5 hours of operation. Clean more frequently in dusty conditions.

- Loosen the screws on the air filter cover enough to remove the cover from the engine.
- Remove air filter from cover.
- Clean the air filter using hot soapy water. Rinse with clean cool water. Squeeze air filter dry and replace in cover.
- Re-install the air filter cover, making sure the choke exit slot is placed over the choke lever.

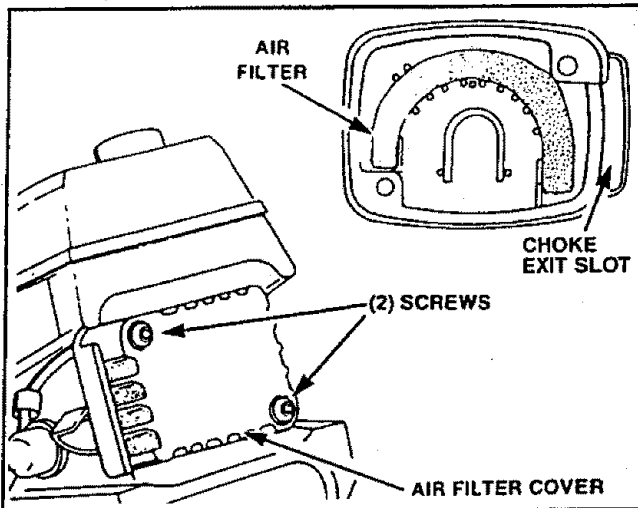


Figure 24

EVERY 25 HOURS CLEAN AND INSPECT SPARK ARRESTOR SCREEN (Fig. 25)

As the unit is used, carbon deposits build up on the muffler and spark arrestor screen (if installed), and must be removed to avoid creating a fire hazard or affecting engine performance.

Required cleaning is every 25 hours of operation or annually, whichever is less.

Replace the spark arrestor screen if breaks occur.

CLEANING THE SPARK ARRESTOR SCREEN

- Loosen and remove the 2 muffler guard screws.
- Remove the muffler guard.
- Remove the muffler cover retaining springs.
- Remove muffler diffuser and spark arrestor screen assembly. Notice the orientation of these parts for reassembly.
- Clean the spark arrestor screen with a wire brush or replace if breaks are found in the screen.
- Replace any broken or cracked parts.
- Reinstall diffuser and spark arrestor screen assembly.
- Reinstall muffler cover and the two muffler cover retaining springs.
- Reinstall muffler guard and the two muffler guard screws (15-20 in.lbs.).

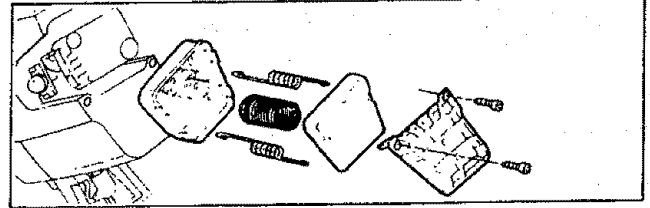


Figure 25

DRIVE SHAFT LUBRICATION (Fig. 26)

- Loosen the gear box clamp screw and the locating screw from the gear box.
- Remove the gear box from the tube.
- Remove the drive shaft from the tube.
- Check drive shaft for broken wires, twists or kinks, and replace if damage is found.
- Using a clean cloth, wipe surface of drive shaft thoroughly to remove any grease or dirt.
- Apply a uniform coat of lithium base grease to the entire surface of the drive shaft.
- Inject the remaining contents of the grease tube into the top of the tube.
- Replace drive shaft in the tube.
- Re-assemble the gear box to the tube. Tighten screws securely.

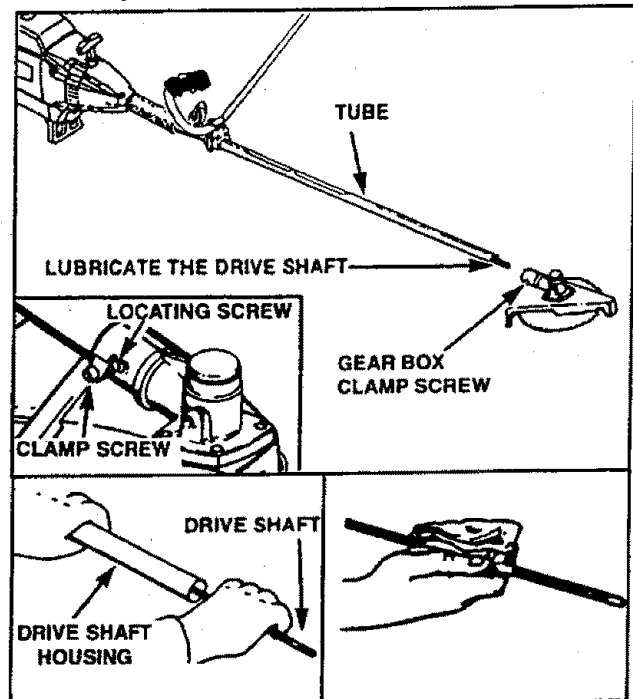


Figure 26

CUSTOMER RESPONSIBILITIES

YEARLY REPLACE SPARK PLUG (Fig. 27)

The spark plug should be replaced each year to ensure the engine starts easier and runs better. Spark plug gap should be .025".

- Twist, then pull of spark plug boot.
- Remove spark plug from cylinder and discard.
- Replace with correct spark plug and re-tighten with spark plug wrench (10-12 ft.lb.).
- Reconnect spark plug boot.

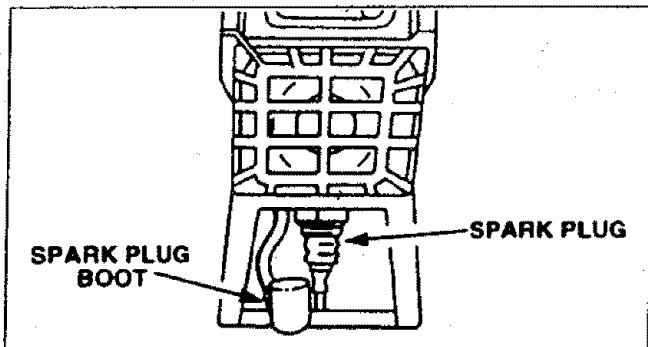


Figure 27

REPLACE FUEL FILTER (Fig. 28 & 29)

The fuel filter should be replaced after each season. Never operate your unit without a fuel filter. Be careful not to damage fuel line while removing the fuel filter.

- Run fuel tank dry of fuel before proceeding with this step.
- Remove fuel cap and allow it to hang to side of motor.
- Using a small pair of needle nose pliers, grasp fuel cap retainer, holding it in tank opening and pull out.
- With cap out of tank, use a small section of bent wire similar to that shown in the illustration to catch fuel line and slowly pull from tank. When fuel filter appears in opening, grasp with fingers and remove from tank.
- Once filter is out of tank, hold fuel line close to fuel filter. Remove fuel filter by twisting and pulling at the same time.
- Replace fuel filter.
- Reverse process for installation.

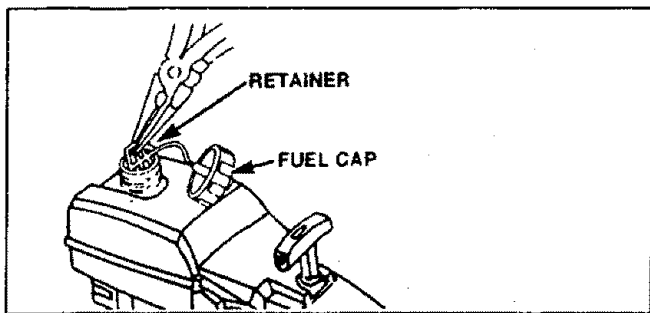


Figure 28

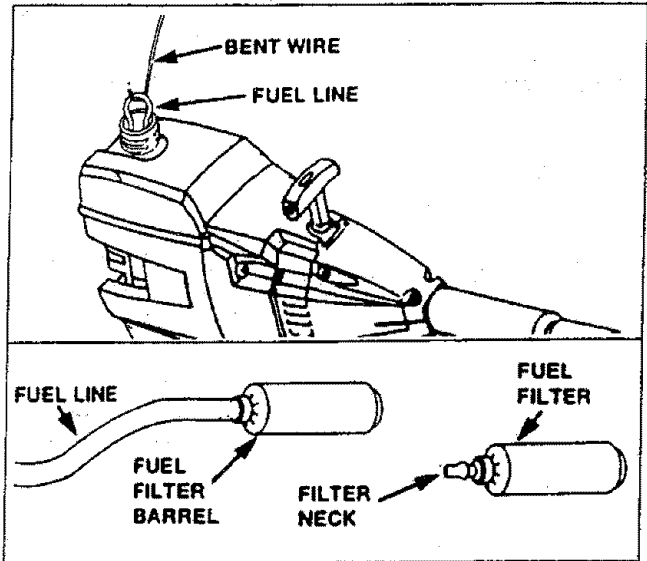


Figure 29

GEAR BOX LUBRICATION (Fig. 30)

- Remove the gear box screw using a wrench.
- Fill gear box with lithium base gear grease.
- Replace and tighten gear box screw securely.

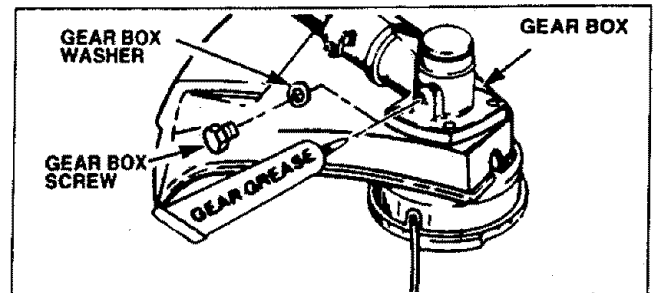


Figure 30

SERVICE AND ADJUSTMENTS

STARTER ROPE (Fig. 31, 32 & 33)



DANGER:
NEVER START THE ENGINE WITH THE NOSE CONE REMOVED. THE CLUTCH WILL FLY APART AND CAUSE SERIOUS INJURY.

USE ONLY A HAND TOOL TO REMOVE THE CLUTCH. DO NOT USE ANY TYPE OF MOTORIZED TOOL OR STRIKE THE CLUTCH IN ANY WAY. OTHERWISE, THE CLUTCH WILL FLY APART AND CAUSE SERIOUS INJURY.

DO NOT REMOVE THE RETAINING TAB AND SCREW TO REMOVE PULLEY. THE SPRING BENEATH THE PULLEY IS UNDER TENSION AND CAN FLY OUT CAUSING SERIOUS INJURY. IF ANY PART OF THE PULLEY HOUSING ASSEMBLY IS DAMAGED OTHER THAN THE ROPE, DO NOT USE. TAKE IT TO YOUR SEARS SERVICE CENTER.

WHEN RE-INSTALLING THE CLUTCH, TIGHTEN THE NUT JUST UNTIL THE BEVELED WASHER IS FLATTENED AGAINST THE CLUTCH. OVER OR UNDER TIGHTENING THE NUT CAN CAUSE ENGINE DAMAGE.

- Disconnect spark plug wire.
- Remove one (1) screw and throttle handle from the handlebar.
- Loosen nose cone screws and remove the tube from nose cone.
- Remove the four clutch housing screws with the small hex wrench (provided).
- Separate the nose cone from the engine.
- Hold the "flats" of the clutch with an adjustable wrench and remove the nut counterclockwise with a 9/16" socket wrench. (See inset Figure 32.)

NOTE: Clutch will slide off the crankshaft intact. *Do not dis-assemble clutch.*

- Remove the beveled washer, clutch, and large flat washer as shown.
- Remove the pulley housing from the engine.
- Remove rope retention screw. Remove any remaining rope.
- Hold pulley housing and hand turn the pulley clockwise as far as it will go. Then, turn the pulley counterclockwise until the pulley notch is aligned with the housing notch next to the retaining tab and screw. Next, turn the pulley one complete turn counterclockwise until the notches are aligned again.
- Insert the long hex wrench into the hole formed by the notched to hold the pulley in position.
- Use a 42" length of replacement rope.
- Move away (10 feet) from the fuel tank with the replacement rope. Use a match and melt both ends of the rope to prevent fraying.

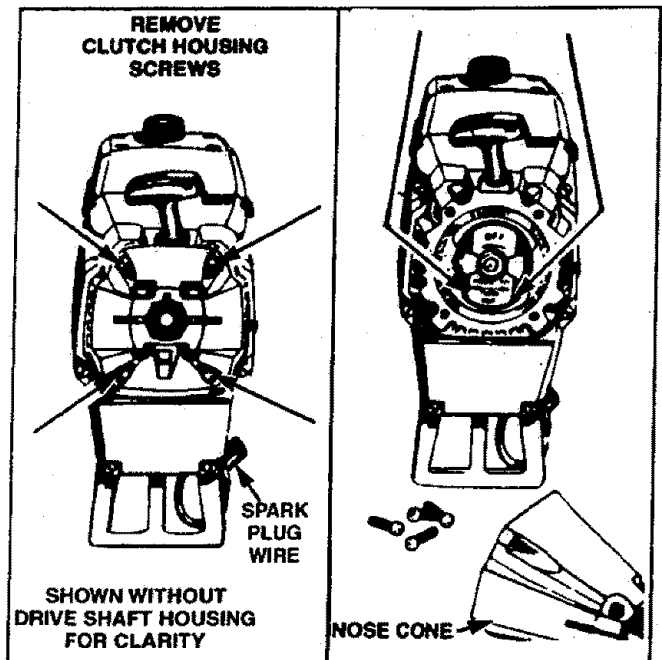


Figure 31

- Pull the melted ends of the rope through a thick, clean rag while the rope is still hot to obtain smooth, pointed ends.
- Insert one end of the rope through the handle and secure with a knot.
- Insert the other end of the rope through the rope exit hole, into the inside of the pulley housing, into the pulley, and up through the pulley hole. (See inset Figure 33).

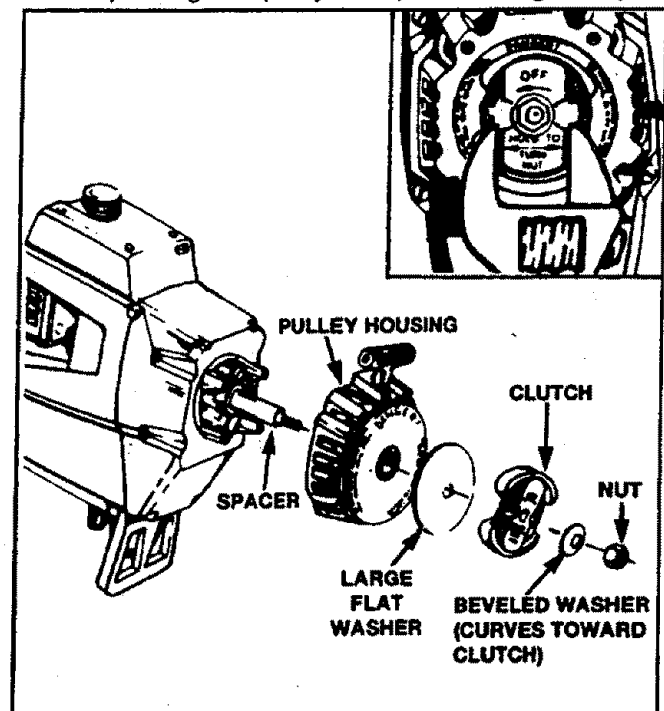


Figure 32

SERVICE AND ADJUSTMENTS

- Wrap rope counterclockwise around the pulley ratchet and tuck loose end under rope where it comes out of the pulley hole. Leave a 1-inch tail laying flat on top of the pulley between the retainer rib and the rope retention screw/post.
- Reinstall the rope retention screw into the retention post. Tighten until snug.

NOTE: Do not overtighten the screw. Overtightening the screw can cause the threads in the screw post to strip out.

- Hold rope taut at rope exit hole so it will not move and remove long hex wrench.
- Slowly feed rope into the pulley housing.
- Make sure spacer is in place then reverse steps to reassemble.

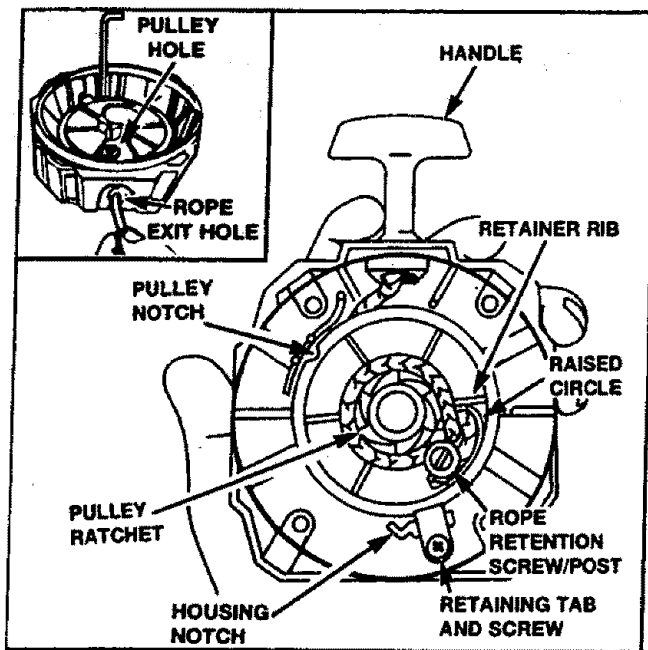


Figure 33

SERVICE AND ADJUSTMENTS

LINE REPLACEMENT



WARNING:
TRIMMER HEAD PARTS THAT ARE CHIPPED, CRACKED, BROKEN, OR DAMAGED IN ANY OTHER WAY CAN FLY APART AND CAUSE SERIOUS INJURY. DO NOT USE. REPLACE DAMAGED PARTS BEFORE USING THE UNIT.

THE LINE SAVER MUST BE INSTALLED ONLY FROM THE INSIDE OF THE HUB. IF INSTALLED ON THE OUTSIDE OF THE HUB, THE LINE SAVER CAN FLY OFF AND BECOME A DANGEROUS MISSILE.

USE ONLY .080" DIAMETER GOOD QUALITY LINE. NEVER USE WIRE, ROPE, STRING, ETC.

THE LOCK RING MUST ENGAGE ALL FOUR CATCHES WHEN REINSTALLED OR THE LOCK RING WILL FLY OFF AND CAUSE SERIOUS INJURY.

USE ONLY SPECIFIED SEARS REPLACEMENT PARTS. USE OF OTHER BRANDS OF REPLACEMENT PARTS CAN CAUSE DAMAGE TO YOUR UNIT OR INJURY TO THE OPERATOR OR OTHERS.

DAMAGE/INJURY CAUSED BY USE OF ACCESSORIES/ATTACHMENTS NOT SPECIFICALLY RECOMMENDED BY SEARS WILL NOT BE REIMBURSED.

IMPORTANT: ALWAYS CLEAN DIRT AND DEBRIS FROM SPOOL AND HUB WHEN PERFORMING ANY TYPE MAINTENANCE. IF LINE SAVER FALLS OUT, REINSTALL IT FROM THE INSIDE OF THE TRIMMER HEAD.

INSTALLING PRE-WOUND SPOOL

(Fig. 34, 35, 36, 37, 38 & 39)

NOTE: The line saver can become worn during use. After a groove is worn into line saver, remove it from the hub, turn it upside down, and reinstall it from the inside (with spool removed) to provide a new wear surface.

- Hold the semi-automatic head as shown. Press the lock tab and turn the lock ring as shown.
- Remove the lock ring, tap button, and spool.
- Clean dirt and debris from all parts. Replace the spool when the square corners on the lugs are rounded off, reduced in size, or broken off.
- Find "THIS SIDE UP" on spool and insert the end of the line through the line saver.
- Press spool into the hub, then turn spool enough to lock lugs under drive gear lugs. Make sure line is not caught between the rim of the spool and the wall of the hub.
- Replace the tap button.
- Align the lock ring over the catches on the hub. Push the lock ring down on the hub and turn it clockwise until the catches lock into place.
- Pull on the line to change the spool from the locked position to the operating position.
- Obtain the correct line length (4-6 inches) by pressing the tap button and pulling on the line again. Approximately 2 inches of line can be pulled each time the tap button is pressed.

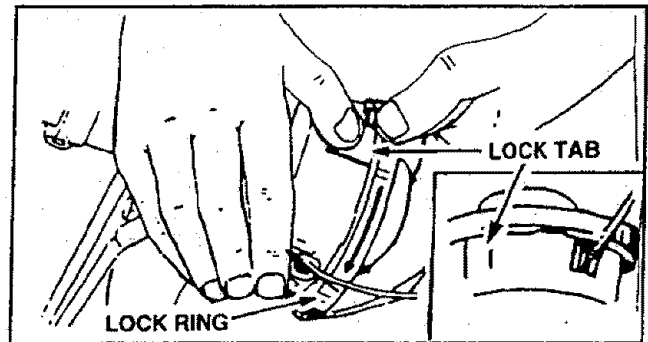


Figure 34

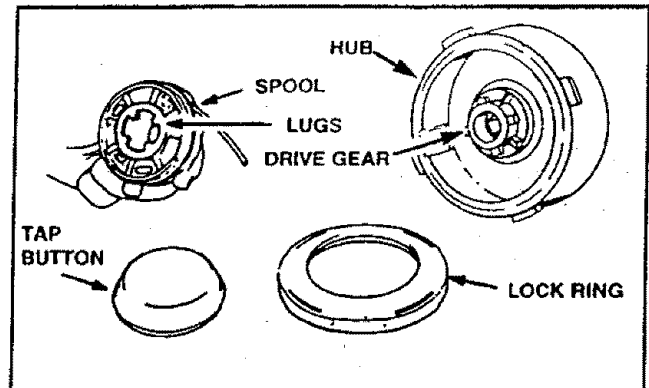


Figure 35

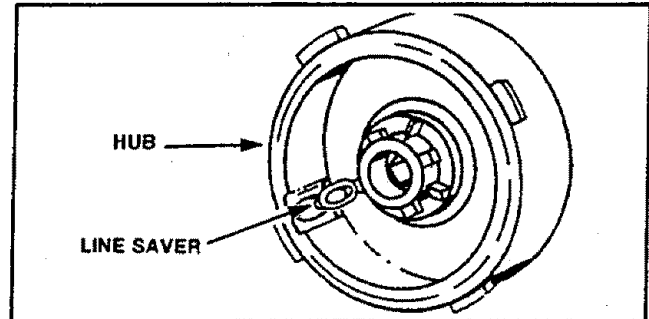


Figure 36

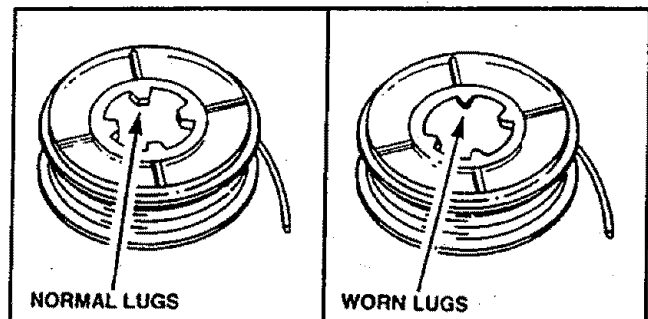


Figure 37

SERVICE AND ADJUSTMENTS

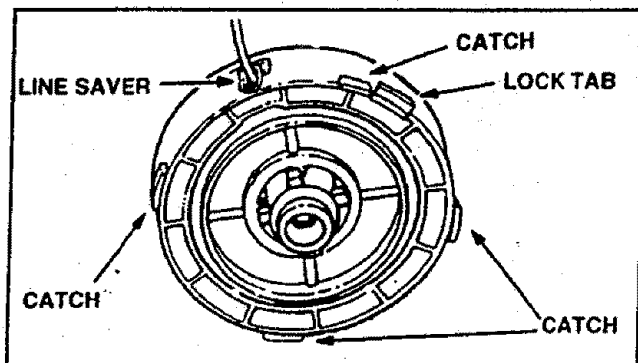


Figure 38

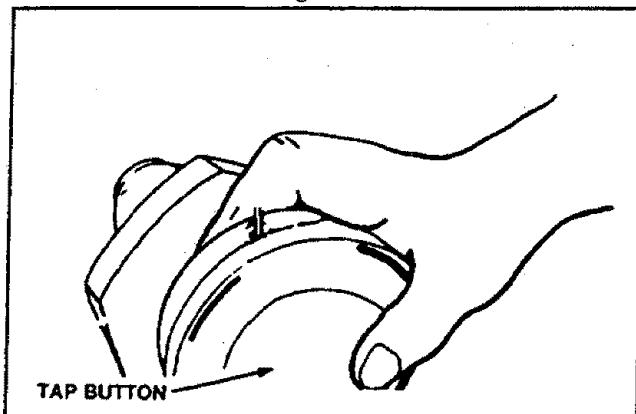


Figure 39

INSTALLING NEW LINE ON SPOOL (Fig. 40)

NOTE: The line must be wrapped firmly and evenly for proper line feed.

- Follow "INSTALLING PRE-WOUND SPOOL" steps and remove any line remaining on the spool.
- Use a 40 foot length of SEARS .080" diameter line.
- Insert about 1/8 inch of the end of the line through the hole in the inner rim of the spool. Allow no more than 1/8 inch of line to extend beyond the rim to avoid interference with tapping action.
- Wrap the line on the spool as shown by the arrow.
- Follow "INSTALLING PRE-WOUND SPOOL" to complete assembly.

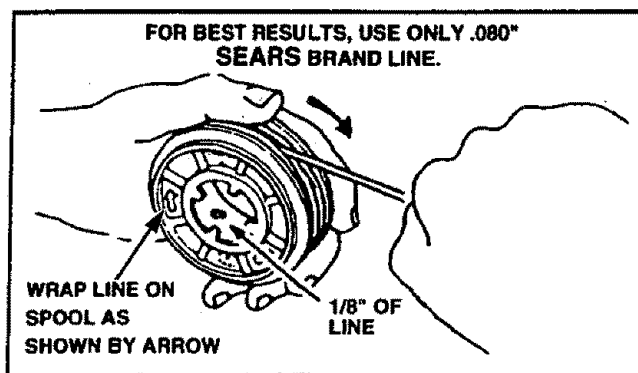


Figure 40

SERVICE AND ADJUSTMENT

BRUSH BLADE SHARPENING (Fig. 41)



DANGER:
ALWAYS STOP THE ENGINE BEFORE SHARPENING A BLADE. THE BLADE WILL CONTINUE TO SPIN AFTER THE ENGINE STOPS OR AFTER THE THROTTLE TRIGGER HAS BEEN RELEASED. MAKE SURE THE BLADE HAS STOPPED COASTING AND DISCONNECT SPARK PLUG BEFORE PERFORMING WORK ON THE BLADE.

ALWAYS REPLACE A BLADE THAT IS BENT, WARPED, CRACKED, OR DAMAGED IN ANY OTHER WAY. NEVER ATTEMPT TO STRAIGHTEN AND REUSE A DAMAGED BLADE. USE ONLY THE SPECIFIED REPLACEMENT BLADE.

WEAR PROTECTIVE GLOVES WHEN HANDLING OR PERFORMING MAINTENANCE ON THE BLADE TO HELP AVOID INJURY.

TO PREVENT THE BLADE FROM CRACKING OR FLYING APART AFTER SHARPENING, DO NOT FILE WITHIN 1/4 INCH OF THE RADIUS SHOWN.

- Check blades for flatness periodically. Lay the blade on a flat surface and inspect the blade for flatness before sharpening. Throw away any blade that is not flat.
- File or grind each edge in the same manner to maintain a balanced blade.

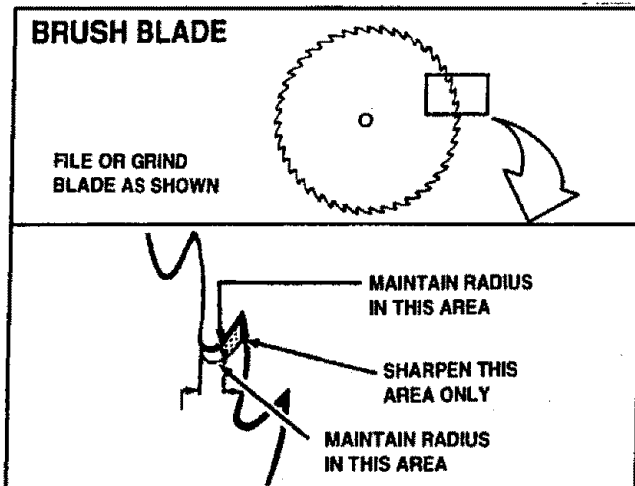


Figure 41

WEED BLADE SHARPENING (Fig. 42)

- The 4 point, 8 inch blade is reversible. When the cutting edge on one side becomes dull, turn the blade over. When both sides of cutting edges become dull, the blade may be resharpened.
- Check blades for flatness periodically. Lay the blade on a flat surface and inspect the blade for flatness before sharpening. throw away any blade that is not flat.
- File or grind each edge in the same manner to maintain a balanced blade.

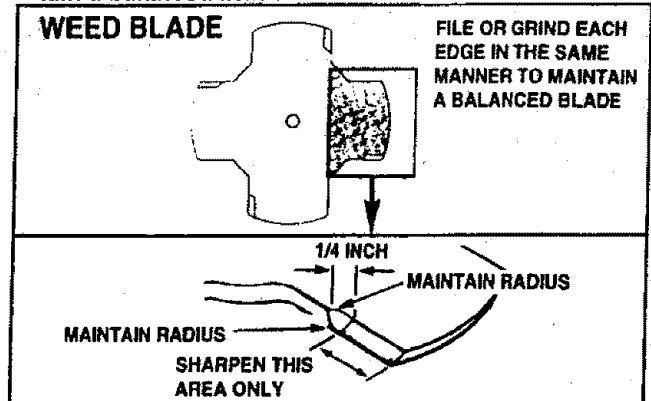


Figure 42

SERVICE AND ADJUSTMENTS

Carburetor adjustment is critical and if done improperly can permanently damage the engine as well as the carburetor. Please read all instructions and consult the Troubleshooting section of this manual before beginning this process. If the engine does not operate according to these instructions after repeating the adjusting steps, do not use the unit. For further assistance, please call our customer assistance hotline at 1-800-235-5878.



WARNING:

MAKE CARBURETOR ADJUSTMENTS WITH THE LOWER END SUPPORTED TO PREVENT BLADE OR SEMI-AUTOMATIC FROM CONTACTING ANY OBJECT. HOLD UNIT WITH YOUR HAND.

THE BLADE OR SEMI-AUTOMATIC HEAD WILL BE SPINNING DURING MOST OF THIS PROCEDURE. WEAR YOUR PROTECTIVE EQUIPMENT AND OBSERVE ALL SAFETY PRECAUTIONS.

KEEP OTHERS AWAY WHEN MAKING CARBURETOR ADJUSTMENTS.

IN "LOW SPEED MIXTURE ADJUSTMENT," RECHECK IDLE SPEED AFTER EACH ADJUSTMENT. THE BLADE OR SEMI-AUTOMATIC HEAD MUST NOT MOVE AT IDLE SPEED.

CONTACT YOUR SEARS SERVICE CENTER IF THE IDLE SPEED SETTING CANNOT BE ADJUSTED SO THAT THE BLADE STOPS AT IDLE. DO NOT USE THE UNIT UNTIL IT HAS BEEN PROPERLY ADJUSTED OR REPAIRED.

If engine does not start, it may be flooded. If in doubt, read the section on flooded engine in the starting section of this manual prior to beginning any adjustments.

If you are unsure about adjusting the carburetor or experience any problem while attempting this process, please call the 1-800 number listed on the front cover of this manual for further assistance.

The carburetor has been adjusted at the factory for sea level conditions. Adjustments may become necessary if the unit is used at significantly higher altitudes or if you notice any of the following conditions:

- Blade or semi-automatic head moves when the engine runs at idle speed. See "Idle speed adjustment."
- Engine will not idle. See "Idle speed adjustment" and "Low speed mixture adjustment."
- Engine dies or hesitates when it should accelerate. See "Acceleration adjustment."
- Loss of cutting power which is not corrected by air filter cleaning. See "High speed mixture adjustment."

NOTE: Do not attempt to adjust the screw beyond the stops as damage can occur.

CARBURETOR PRESETS (Fig. 43)

The Carburetor has three adjusting screws:

L = Low speed mixture adjusting screw

H = High speed mixture adjusting screw

T = Idle speed adjusting screw

If your engine will not start due to suspected improper carburetor adjustment, the following presets may be required. If used, it is recommended that all steps within the adjustment procedure be completed in order to assure a properly set carburetor. If presets are not needed, proceed to section "Idle speed adjustment."

Very small adjustments can affect engine performance. It is important to turn the screw a very small amount per adjustment and test performance before making further adjustments. Each adjustment should be no more than the width of the slot in the adjusting screw.

- Turn both of the mixture screws counterclockwise until they stop. Do not attempt to adjust the screw beyond the stops

as damage can occur.

- Turn idle speed screw clockwise 1/2 turn.
- Start the engine and operate for three (3) minutes to warm up. Go to "Adjusting procedure."

ADJUSTING PROCEDURE

IDLE SPEED ADJUSTMENT

- Allow the warm engine to idle.
- Adjust the idle speed screw until the engine continues to run without stalling and without the blade or semi-automatic head turning.
 - Turn screw clockwise to increase engine speed if engine stalls or dies.
 - Turn screw counterclockwise to slow engine down and/or to keep the blade or semi-automatic head from turning.
- No further adjustments are necessary if blade or semi-automatic head does not turn at idle speed and if performance is satisfactory.

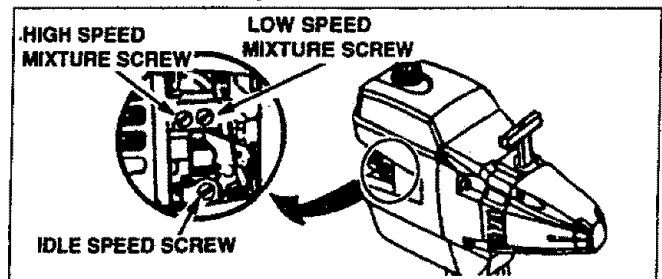


Figure 43

LOW SPEED MIXTURE ADJUSTMENT

- Allow engine to idle.
- Turn the low speed mixture screw slowly clockwise until the RPM starts to drop. Note the position.
- Turn the low speed mixture screw slowly counterclockwise until the RPM speeds up and starts to drop again. Note the position.
- Set the low speed mixture screw at the midpoint between the two positions.

HIGH SPEED MIXTURE ADJUSTMENT

IMPORTANT: DO NOT OPERATE ENGINE AT FULL THROTTLE FOR PROLONGED PERIODS WHILE MAKING HIGH SPEED ADJUSTMENTS AS DAMAGE TO THE ENGINE CAN OCCUR.

- Make a test cut in grass.
- Based on performance of the unit while cutting, adjust the high speed mixture screw in 1/16 turn increments as follows:
 - Clockwise if unit smokes or loses power while cutting. Do not adjust for best power by sound or speed, but judge by how well the unit performs during operation.
 - Counterclockwise if the unit has speed while not cutting, but dies or lacks power while cutting.
- Repeat the test cut in grass.
- Continue with 1/16 turn adjustments until the unit performance is acceptable while cutting.
- After completing adjustments, check for acceleration.
- If unit accelerates properly no further adjustments are necessary. If not, proceed to acceleration check.

ACCELERATION CHECK

- If the engine dies or hesitates instead of accelerating, turn the low speed mixture screw 1/16 of a turn at a time counterclockwise until you have smooth acceleration.
- Check the idle speed for stability and that the blade or semi-automatic head does not turn. Adjust as necessary.
- Recheck for smooth acceleration and stable idle.
- Repeat process as necessary for acceptable performance.

STORAGE

Immediately prepare your unit for storage at the end of the season or if it will not be used for 30 days or more.



WARNING:
ALLOW THE ENGINE TO COOL, AND SECURE THE UNIT BEFORE STORING OR TRANSPORTING IN A VEHICLE.

STORE UNIT AND FUEL IN AN AREA WHERE FUEL VAPORS CANNOT REACH SPARKS OR OPEN FLAMES FROM WATER HEATERS, ELECTRIC MOTORS OR SWITCHES, FURNACES, ETC.

STORE UNIT WITH ALL GUARDS IN PLACE. POSITION SO THAT ANY SHARP OBJECT CANNOT ACCIDENTALLY CAUSE INJURY TO PASSERS BY.

STORE THE UNIT OUT OF THE REACH OF CHILDREN.

GAS TRIMMER/BRUSHWACKER STORAGE INSTRUCTIONS

If your trimmer is to be stored for a period of time, clean it thoroughly prior to storage. Remove any dirt, leaves, oil, grease, etc. Store in a clean dry area.

- Clean the entire unit.
- Clean air filter. Refer to "Customer Responsibilities".
- Open the semi-automatic line head assembly and clean any dirt, grass or debris that has collected.
- Inspect the cutting line. Old cutting line may be chalky or sticky to the touch. Remove and discard old line and install fresh new line.
- Lightly oil external metal surfaces to prevent rust from forming.
- If your unit is equipped with a blade, remove it from the unit. Refer to "Assembly". Apply a coating of oil to the entire surface of the blade and wrap in heavy paper or cloth. Also, apply a light coat of oil to the arbor shaft threads, then tighten blade nut for storage.
- Re-assemble all loose parts, being sure that all handles and guards are in place and are securely fastened. Replace any damaged parts.
- The recommended storage position is either vertically with the fuel cap on top, or horizontally with the fuel cap up. **Do not store unit with the cutting attachment up.**
- Hang the unit by the brackets under the motor housing to avoid fuel leaks. Make sure the unit is positioned so that the blades cannot cause injury.



CAUTION: WEAR PROTECTIVE GLOVES WHEN HANDLING LINE LIMITER. THE BLADE IS SHARP AND CAN CUT YOU.

FUEL SYSTEM

Never use engine or carburetor cleaner products in the fuel tank or permanent damage may occur to fuel system components.

Follow these instructions:

- Drain the fuel from the unit into an approved fuel container.
- Drain the fuel lines and carburetor by starting the engine and letting it run until it stops.
- Allow the engine to cool before storage.

IMPORTANT: It is important to prevent gum deposits from forming in essential fuel system parts such as the carburetor, fuel filter, fuel hose or tank during storage. Also, experience indicates that alcohol blended fuels, those that use ethanol or methanol (called gasohol or oxygenated fuel), can attract moisture and form acidic gas which will damage your engine. To avoid engine problems, the fuel system should be emptied before storage of 30 days or longer.

Fuel stabilizer is an acceptable alternative in minimizing the formation of fuel gum deposits during storage. Add stabilizer to the gasoline in the fuel tank or fuel storage container. Always follow the mix instructions found on stabilizer containers. Run engine at least 5 minutes after adding stabilizer to allow the stabilizer to reach the carburetor.

CRAFTSMAN 40:1 2-cycle engine oil (AIR-COOLED) is specially blended with fuel stabilizer. If you do not use this Sears oil, you can add a fuel stabilizer (such as CRAFTSMAN No. 33500) to your fuel tank.

INTERNAL ENGINE

- Remove spark plug and pour 1 teaspoon of 40:1 2-cycle engine oil (AIR-COOLED) through the spark plug opening. Slowly pull the starter rope 8 to 10 times to distribute oil to inner engine surfaces.
- Replace spark plug with a new one of the recommended type and heat range. Refer to "Product Specifications".
- Clean air filter. Refer to "Customer Responsibilities".
- Re-install all covers and hardware removed for access; tighten all screws and fasteners.
- Check entire unit for loose screws, nuts, and bolts. Replace any damaged, broken, or worn parts.
- Lightly oil external metal surface to prevent rust from forming.
- Use fresh fuel having the proper gasoline to oil ratio at the beginning of the next season.

OTHER

- Do not store gasoline from one season to another.
- Replace your gasoline can if your can starts to rust. Rust and/or dirt in your fuel system will cause problems.
- Store your unit in a well ventilated area and covered, if possible, to prevent dust and dirt accumulation. Do not cover with plastic. Plastic cannot breathe and will induce condensation and eventual rust or corrosion.

IMPORTANT: NEVER COVER UNIT WHILE ENGINE AND EXHAUST ARE STILL WARM.

TROUBLE SHOOTING POINTS

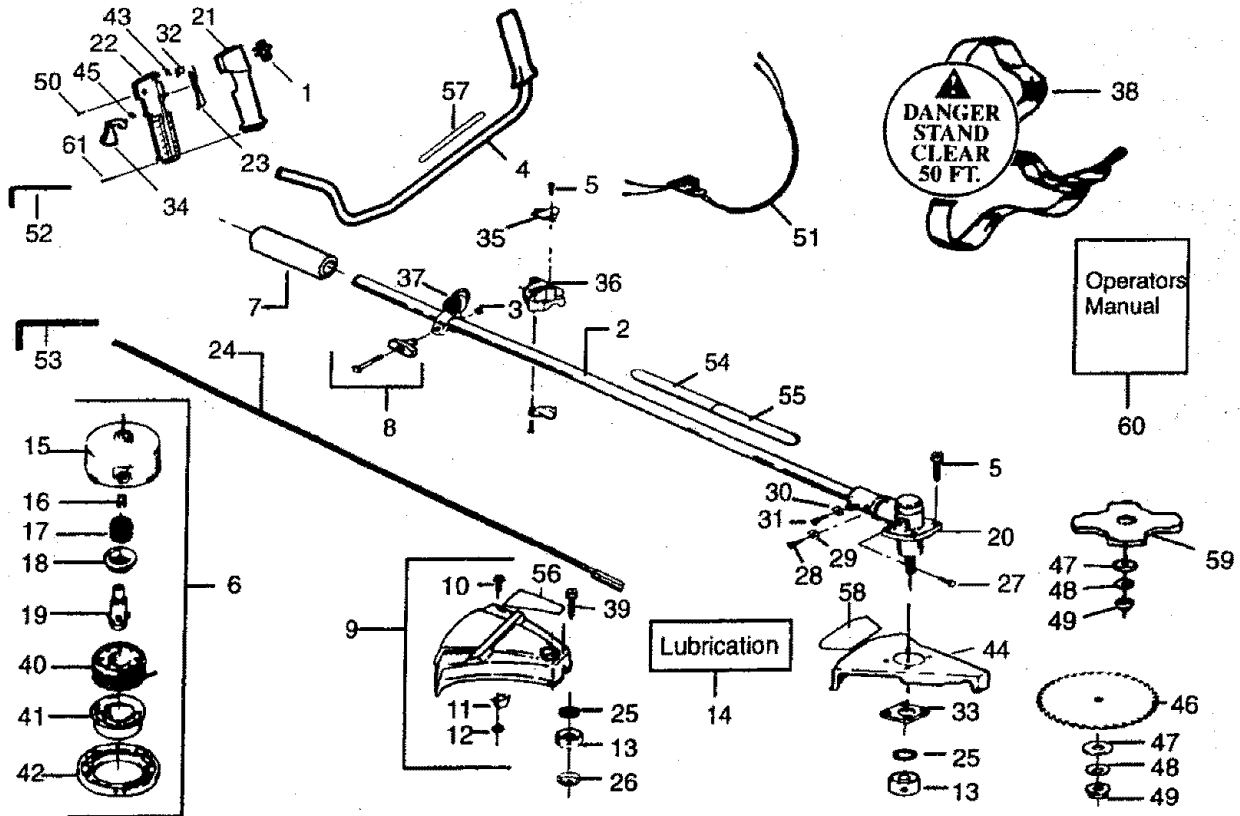
TROUBLE SHOOTING CHART

SYMPTOM	CAUSE	CORRECTION
Engine will not start or will run only for a few seconds after starting.	<ol style="list-style-type: none"> 1. Fuel tank empty. 2. Engine flooded. 3. Spark plug not firing. 4. Fuel not reaching carburetor. 5. Carburetor requires adjustment. 6. None of the above. 	<ol style="list-style-type: none"> 1. Fill tank with correct fuel mixture. 2. See "Starting Instructions". 3. Install new plug/check ignition switch. 4. Replace fuel filter; inspect fuel line. 5. See "Carburetor Adjustments." 6. Contact your SEARS Service Center/Dept.
Engine will not idle properly.	<ol style="list-style-type: none"> 1. Carburetor set too fast or too slow. 2. Carburetor requires adjustment. 3. None of the above. 	<ol style="list-style-type: none"> 1. See "Carburetor Adjustments." 2. See "Carburetor Adjustments." 3. Contact your SEARS Service Center/Dept.
Engine will not accelerate, lacks power, or dies under a load.	<ol style="list-style-type: none"> 1. Air filter dirty. 2. Spark plug fouled. 3. Carburetor requires adjustment. 4. Muffler outlets plugged. 5. None of the above. 	<ol style="list-style-type: none"> 1. Clean or replace air filter. 2. Clean or replace spark plug and re-gap. 3. See "Carburetor Adjustments." 4. Contact your SEARS Service Center/Dept. 5. Contact your SEARS Service Center/Dept.
Engine smokes excessively.	<ol style="list-style-type: none"> 1. Air filter dirty. 2. Fuel mixture incorrect. 3. Carburetor requires adjustment. 	<ol style="list-style-type: none"> 1. Clean or replace air filter. 2. Refuel with correct fuel mixture. 3. See "Carburetor Adjustments."
Engine runs hot	<ol style="list-style-type: none"> 1. Fuel mixture incorrect. 2. Spark plug incorrect. 3. Carburetor set too high (lean). 4. Wrong diameter cutting line.(too large) 5. None of the above. 	<ol style="list-style-type: none"> 1. See "Fueling Your Unit." 2. Replace with correct plug. 3. See Carburetor Adjustments." 4. Use only .080 " diameter cutting line. 5. Contact your SEARS Service Center/Dept.
Cutting head stops under a load or does not turn when engine is accelerated.	<ol style="list-style-type: none"> 1. Drive shaft not engaged. 2. Drive shaft broken. 	<ol style="list-style-type: none"> 1. See "Assembly," "Tube", insert fully. 2. Contact your SEARS Service Center/Dept.
Line does not advance or breaks while cutting.	<ol style="list-style-type: none"> 1. Line improperly routed in head. 2. Line improperly wound onto spool. 3. Line size incorrect. 4. Old cutting line. 5. Too little line outside head. 6. Dirt accumulated in cover. 7. Line wound in wrong direction. 	<ol style="list-style-type: none"> 1. Remove cover. Check line routing. 2. rewind line tightly and evenly. 3. Use only .080" diameter line. 4. Replace with new cutting line. 5. Remove cover. Pull 4" of line to outside. 6. Clean cover. 7. Rewind in correct direction.
Line welds onto spool.	<ol style="list-style-type: none"> 1. Line size incorrect. 2. Old cutting line. 3. Incorrect spool. 4. Crowding line against material being cut. 	<ol style="list-style-type: none"> 1. Use only .080" diameter line. 2. Replace with new cutting line. 3. Use proper spool. 4. Cut with tip of line. 5. Reduce cutting speed.
Line pulls back into head.	<ol style="list-style-type: none"> 1. Too little line outside of head. 2. Old cutting line. 	<ol style="list-style-type: none"> 1. Remove cover. Pull 4" of line to outside. 2. Replace with new cutting line.

*If situations occur which are not covered in this manual, use care and good judgement.
If you need assistance, contact your SEARS Service Center/Department or the
CUSTOMER ASSISTANCE HOTLINE AT 1-800-235-5878.*

REPAIR PARTS

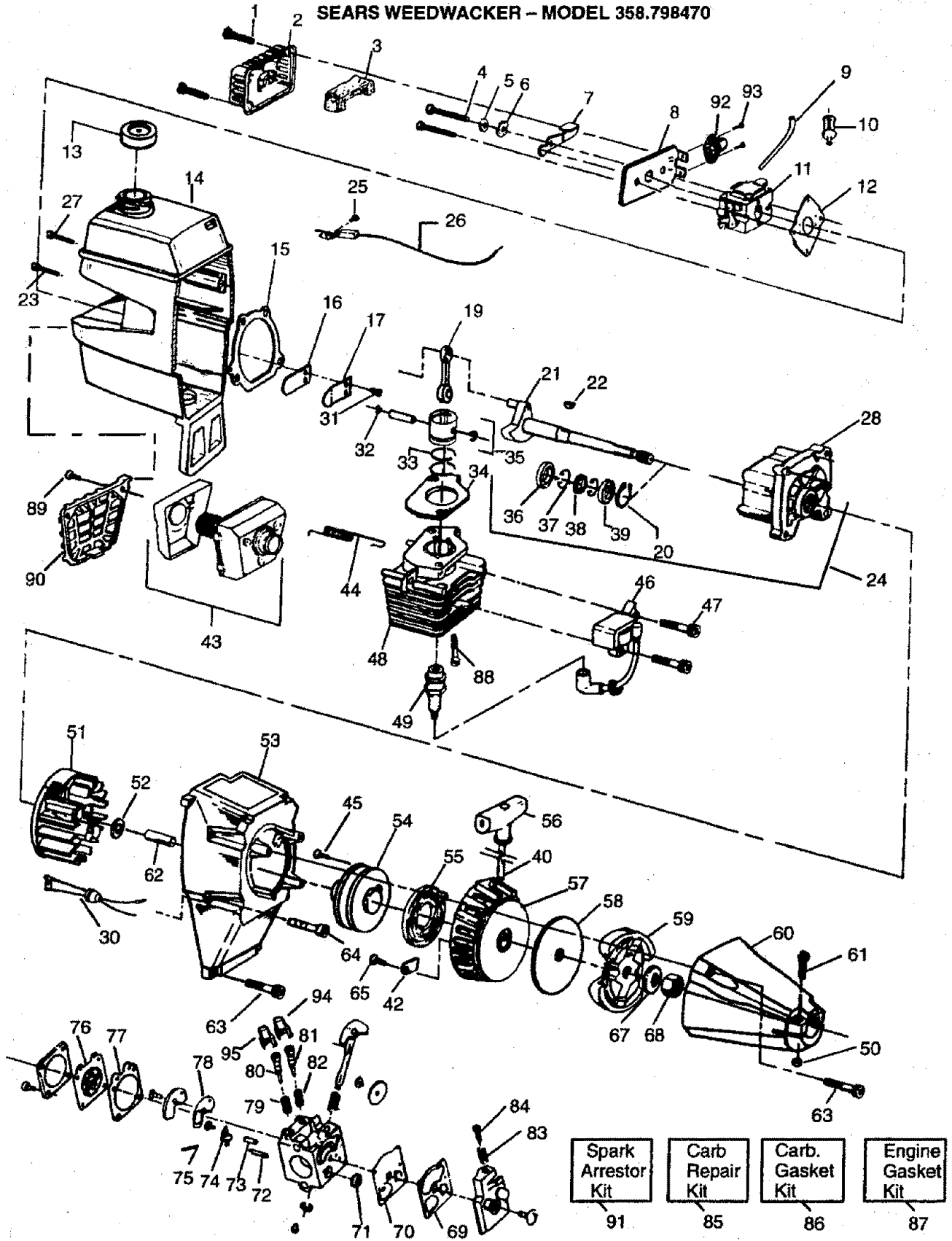
SEARS WEEDWACKER - MODEL 358.798470



Key No.	Part No.	Description	Key No.	Part No.	Description
1	503-098302	Rocker Switch	32	502-209602	Throttle Lock
2	530-094650	Drive Shaft Housing	33	530-027615	Shield Retention Plate
3	STD541025	Nut-Shoulder Horn. Clamp	34	502-199203	Throttle Trigger
4	530-014036	Handlebar	35	530-094572	Handlebar Bracket
5	530-015971	Screw-Clamp Handlebar	36	530-012207	Handlebar Clamp
6	71-85807	Cutting Head Ass'y.	37	530-094686	Clamp Harness Ass'y.
7	530-027706	Drive Shaft Pad	38	530-094417	Shoulder Strap
8	530-069252	"T" Handle Ass'y.	40	71-85787	Spool w/Line
9	530-069256	Shield Kit Ass'y. (Incl. #10, 11 & 12)	41	530-401183	Release Button
10	STD511005	Screw-Line Limiter	42	530-092133	Cover
11	530-094570	Line Limiter	43	502-209701	Spring-Trigger
12	534-235901	Locknut	44	530-094627	Shield-Metal
13	530-094694	Dust Cup	45	502-199301	Trigger Spring
14	952-030139	Shaft Lubrication	46	71-85728	Brush Blade
15	530-093896	Hub Ass'y (Incl. 16).	47	530-015792	Washer-Blade
16	530-093898	Line Saver	48	530-015492	Washer Belleville-Blade
17	530-340007	Spring	49	530-015793	Nut-Blade
18	530-092068	Cap-Spring	50	503-210719	Screw-Throttle Housing
19	530-095121	Drive Gear	51	530-047144	Wire Harness Ass'y.
20	530-094568	Gear Box Ass'y.	52	530-031159	Hex Wrench (5/32)
21	502-208502	Throttle Hsg.-Left	53	530-031098	Hex Wrench (3/16)
22	502-208602	Throttle Hsg.-Right	54	530-029162	Decal-Shaft Warning Upper
23	502-199403	Throttle Lockout	55	530-029163	Decal-Shaft Warning Lower
24	530-094566	Drive Shaft	56	530-029765	Decal-Shield
25	530-094640	Seal Gear Box	57	530-027778	Decal-Handlebar Warning
26	530-094571	Grass Washer	58	530-027749	Decal-Blade Direction
27	530-094616	Screw-Grease Refill	59	71-85729	Weed Blade
28	530-094612	Screw-Pinch Clamp	60	530-083376	Operators Manual
29	530-015328	Lockwasher-Pinch Clamp	61	503-210738	Screw-Throttle Housing
30	530-001642	Lockwasher-Gear Box	62	530-038206	Connector-Female
31	530-001711	Screw-Gear Box			

REPAIR PARTS

SEARS WEEDWACKER - MODEL 358.798470



REPAIR PARTS

Key No.	Part No.	Description	Key No.	Part No.	Description
1	530-015773	Screw-Air Filter Cover	49	STD PM2	Spark Plug
2	530-027529	Air Filter Cover	50	530-015768	Locknut-Pinch Clamp
3	530-027530	Air Filter	51	530-039136	Flywheel Ass'y.
4	530-015849	Screw-Carb.	52	530-347987	Washer
5	530-015852	Spacer-Air Filter	53	530-038911	Fan Housing
6	530-015254	Wave Washer-Air Filter	54	530-069291	Starter Pulley Kit (Incl. #45)
7	530-038915	Choke Shutter	55	530-029395	Starter Spring
8	530-037930	Air Filter Plate	56	530-027569	Starter Handle
9	-	Fuel Line Kit	57	530-069672	Pulley Housing Ass'y.
	530-069247	Fuel Line	58	530-094189	Clutch Washer
	530-069571	Return Line	59	530-069254	Clutch Ass'y. Kit
10	530-014362	Fuel Pick-up Ass'y.	60	530-069673	Clutch Housing
11	530-069651	Carburetor Kit (Incl. Limiter Caps	61	530-015767	Screw
12	† 530-019156	Carburetor Gasket	62	530-027511	Spacer-Flywheel
13	530-014347	Fuel Cap Ass'y.	63	530-015770	Screw -Fan Housing
14	530-047320	Shroud & Tank Ass'y. (Incl. #9,10 & 13)	64	530-015769	Screw-Fan Housing
			66	530-015496	Screw-Starter Pulley
15	† 530-019154	Crankcase/Shroud Gasket	67	530-015796	Washer-Belleville
16	530-027593	Reed Valve	68	STD541137	Nut
17	530-027594	Reed Stop	69	530-035164	*+ Pump Gasket
19	530-010960	Connecting Rod Ass'y. (Incl. Bearings)	70	530-035166	*+ Pump Diaphragm
20	530-015789	Crankshaft Retaining Ring	71	530-035172	+ Inlet Screen
21	530-010934	Crankshaft Ass'y. (Incl. #36)	72	530-035008	+ Inlet Needle Valve
			73	530-035139	+ Metering Lever Spring
22	530-015126	Flywheel Key	74	530-035031	+ Metering Lever
23	530-015771	Screw-Fan Housing	75	530-035028	+ Metering Pin
24	530-014015	Crankcase & Crankcase Ass'y.(Incl. #20,21 & 28)	76	530-035014	*+ Metering Diaphragm
			77	530-035109	*+ Metering Diaphragm Gasket
25	530-015775	Screw-Throttle Cable	78	530-035147	*+ Circuit Plate Gasket
26	530-047040	Throttle Cable Ass'y.	79	530-035095	Hi Speed Needle Spring
27	530-015772	Screw-Fan Housing	80	530-032158	Hi Speed Needle
28	530-014016	Crankcase Ass'y. (Incl. #36-39)	81	530-032157	Idle Needle
			82	530-035214	Idle Needle Spring
29	530-038205	Connector-Male	83	530-035208	Idle Speed Spring
30	530-047145	Lead Wire/Grommet Ass'y.	84	530-035203	Idle Speed Screw
			85	530-069623	Carb. Kwik Repair Kit (+Indicates Contents)
31	STD610603	Screw-Reed Valve			Carb. Gasket/Diaphragm Kit (*Indicates Contents)
32	† 530-015162	Piston Pin Retainer	86	530-035173	Engine Gasket Kit († Indicates Contents)
33	530-025875	Piston Ring			Screw-Cylinder
34	530-019178	Cylinder Gasket	87	530-069276	Screw-Muller Guard
35	530-069275	Piston Kit (Incl. #32,33, & pin)	88	530-015239	Muffler Guard
36	530-032103	Inner Bearing	89	530-015717	Spark Arrestor Kit
37	530-015787	Retaining Ring-C'case	90	530-038945	Primer Bulb Ass'y.
38	530-019158	Crankshaft Seal	91	952-701612	Screw -Primer Bulb Ass'y
39	530-032102	Bearing Outer	92	530-038874	Limiter Cap-High Speed
40	530-069232	Rope Kit	93	530-016091	Limiter Cap-Low Speed
42	530-027523	Retainer-Starter Pulley	94	530-038318	
43	530-069257	Muffler Kit	95	530-038317	
44	530-036409	Muffler Attachment Spring			
45	530-016080	Screw-Starter Pulley		Not Shown	
46	530-039134	Ignition Module Kit		530-038920	Instruction Decal
47	530-015128	Screw-Ignition Module		530-085223	Carton
48	530-069626	Cylinder		530-047158	Carton Contents Bag