
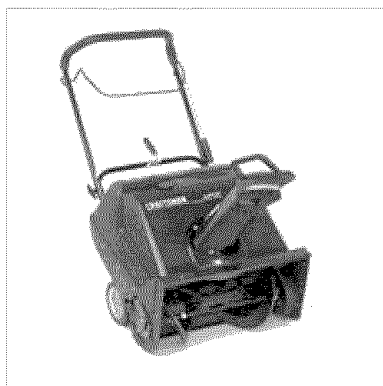


**CRAFTSMAN****\$469.99**
 We'll match any price plus ...

Remember to use your Sears Card®.

**Craftsman 5.0 hp Snowthrower**

Sears item #07188150000 Mfr. model #88150000

This snowthrower is ideal for light snow and can take in 8-10 inches of snow. 5 hp Briggs & Stratton 4-cycle engine delivers the convenience of no mixing gas and oil, reduced vibration and noise, and lower emissions for better performance.

**Sears exclusive.** This item is only available at Sears.

This item is typically delivered within 7-10 business days.

**Product Overview:**

Stages	One stage One stage
Item Weight	92.0 lbs.
General Warranty	2 years

**Chute System:**

Chute Rotation	Yes
Maximum Chute Rotation	190 deg.

**Drive System:**

Drive Type	Auger
------------	-------

**Motor-Engine:**

Engine Brand	Briggs & Stratton®
Horsepower	5 hp
Type	4-cycle

Type	Two-cycle
Electric Start	Yes
<b>Capacity:</b>	
Clearing Path	22 in.
<b>Color:</b>	
Overall Color	Polo green
<b>Dimensions:</b>	
Intake Height	12-1/2 in.
<b>Installation Requirements:</b>	
Setup	Some assembly required

Product images may differ from actual product appearance.  
Not all products are available at every Sears store. Online prices and promotions are for the continental U.S. only.