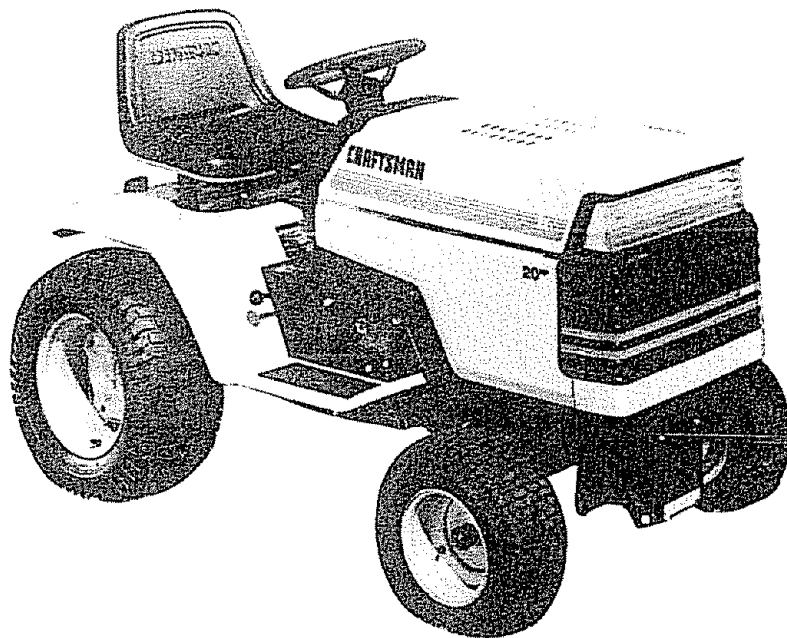


SEARS
OWNER'S
MANUAL

MODEL NO.
917.250032



CRAFTSMAN®

20 HP IC
ELECTRIC START
6 SPEED TRANSAXLE
GARDEN TRACTOR

Caution:
Read and follow
all Safety Rules
and Instructions
Before Operating
This Equipment

- Assembly
- Operation
- Customer Responsibilities
- Service and Adjustment
- Repair Parts



SAFETY RULES

Safe Operation Practices for Ride-On Mowers



IMPORTANT: THIS CUTTING MACHINE IS CAPABLE OF AMPUTATING HANDS AND FEET AND THROWING OBJECTS. FAILURE TO OBSERVE THE FOLLOWING SAFETY INSTRUCTIONS COULD RESULT IN SERIOUS INJURY OR DEATH.

I. GENERAL OPERATION

- Read, understand, and follow all instructions in the manual and on the machine before starting.
- Only allow responsible adults, who are familiar with the instructions, to operate the machine.
- Clear the area of objects such as rocks, toys, wire, etc., which could be picked up and thrown by the blade.
- Be sure the area is clear of other people before mowing. Stop machine if anyone enters the area.
- Never carry passengers.
- Do not mow in reverse unless absolutely necessary. Always look down and behind before and while backing.
- Be aware of the mower discharge direction and do not point it at anyone. Do not operate the mower without either the entire grass catcher or the guard in place.
- Slow down before turning.
- Never leave a running machine unattended. Always turn off blades, set parking brake, stop engine, and remove keys before dismounting.
- Turn off blades when not mowing.
- Stop engine before removing grass catcher or unclogging chute.
- Mow only in daylight or good artificial light.
- Do not operate the machine while under the influence of alcohol or drugs.
- Watch for traffic when operating near or crossing roadways.
- Use extra care when loading or unloading the machine into a trailer or truck.

II. SLOPE OPERATION

Slopes are a major factor related to loss-of-control and tipover accidents, which can result in severe injury or death. All slopes require extra caution. If you cannot back up the slope or if you feel uneasy on it, do not mow it.

DO:

- Mow up and down slopes, not across.
- Remove obstacles such as rocks, tree limbs, etc.
- Watch for holes, ruts, or bumps. Uneven terrain could overturn the machine. *Tall grass can hide obstacles.*
- Use slow speed. Choose a low gear so that you will not have to stop or shift while on the slope.
- Follow the manufacturer's recommendations for wheel weights or counterweights to improve stability.
- Use extra care with grass catchers or other attachments. These can change the stability of the machine.
- Keep all movement on the slopes *slow and gradual*. Do not make sudden changes in speed or direction.
- Avoid starting or stopping on a slope. If tires lose traction, disengage the blades and proceed slowly *straight* down the slope.

DO NOT:

- *Do not* turn on slopes unless necessary, and then, turn slowly and gradually downhill, if possible.
- *Do not* mow near drop-offs, ditches, or embankments. The mower could suddenly turn over if a wheel is over the edge of a cliff or ditch, or if an edge caves in.
- *Do not* mow on wet grass. Reduced traction could cause sliding.
- *Do not* try to stabilize the machine by putting your foot on the ground.
- *Do not* use grass catcher on steep slopes.

III. CHILDREN

Tragic accidents can occur if the operator is not alert to the presence of children. Children are often attracted to the machine and the mowing activity. *Never* assume that children will remain where you last saw them.

- Keep children out of the mowing area and under the watchful care of another responsible adult.
- Be alert and turn machine off if children enter the area.
- Before and when backing, look behind and *down* for small children.
- *Never* carry children. They may fall off and be seriously injured or interfere with safe machine operation.
- *Never* allow children to operate the machine.
- Use extra care when approaching blind corners, shrubs, trees, or other objects that may obscure vision.

IV. SERVICE

- Use extra care in handling gasoline and other fuels. They are flammable and vapors are explosive.
 - Use only an approved container.
 - *Never* remove gas cap or add fuel with the engine running. Allow engine to cool before refueling. Do not smoke.
 - *Never* refuel the machine indoors.
 - *Never* store the machine or fuel container inside where there is an open flame, such as a water heater.
- *Never* run a machine inside a closed area.
- Keep nuts and bolts, especially blade attachment bolts, tight and keep equipment in good condition.
- *Never* tamper with safety devices. Check their proper operation regularly.
- Keep machine free of grass, leaves, or other debris build-up. Clean oil or fuel spillage. Allow machine to cool before storing.
- Stop and inspect the equipment if you strike an object. Repair, if necessary, before restarting.
- *Never* make adjustments or repairs with the engine running.
- Grass catcher components are subject to wear, damage, and deterioration, which could expose moving parts or allow objects to be thrown. Frequently check components and replace with manufacturer's recommended parts, when necessary.
- Mower blades are sharp and can cut. Wrap the blade(s) or wear gloves, and use extra caution when servicing them.
- Check brake operation frequently. Adjust and service as required.



Look for this symbol to point out important safety precautions. It means **CAUTION!!! BECOME ALERT!!! YOUR SAFETY IS INVOLVED.**



CAUTION: Always disconnect spark plug wire and place wire where it cannot contact spark plug in order to prevent accidental starting when setting up, transporting, adjusting or making repairs.

CONGRATULATIONS on your purchase of a Sears tractor. It has been designed, engineered and manufactured to give you the best possible dependability and performance.

Should you experience any problem you cannot easily remedy, please contact your nearest Sears Service Center/Department. We have competent, well-trained technicians and the proper tools to service or repair this tractor.

Please read and retain this manual. The instructions will enable you to assemble and maintain your tractor properly. Always observe the "SAFETY RULES".

MODEL NUMBER	917.250032
SERIAL NUMBER	_____
DATE OF PURCHASE	_____
THE MODEL AND SERIAL NUMBERS WILL BE FOUND ON A PLATE UNDER THE SEAT.	
YOU SHOULD RECORD BOTH SERIAL NUMBER AND DATE OF PURCHASE AND KEEP IN A SAFE PLACE FOR FUTURE REFERENCE.	

MAINTENANCE AGREEMENT

A Sears maintenance agreement is available on this product. Contact your nearest Sears store for details.

CUSTOMER RESPONSIBILITIES

- Read and observe the safety rules.
- Follow a regular schedule in maintaining, caring for and using your unit.
- Follow the instructions under "Customer Responsibilities" and "Storage" sections of this manual.

PRODUCT SPECIFICATIONS

HORSEPOWER:	20 0		
GASOLINE CAPACITY:	3 5 GALLONS UNLEADED REGULAR		
OIL (3 8 PINTS w/Filter) (3 5 PINTS w/o FILTER)	SAE 30 (above 32°F) 5W-30 (below 32°F)		
SPARK PLUG (GAP .025 IN.):	CHAMPION RS14YC		
VALVE CLEARANCE:	INTAKE	.005	IN.
	EXHAUST	.013	IN.
GROUND SPEED:	(MPH):		
		LO	HI
	1st	.8	1.8
	2nd	1.4	3.4
	3rd	2.4	5.5
	Rev.	.9	2.1
TRANSAXLE OIL (4 QUARTS CAPACITY)	NON-DETERGENT SAE30 (ISO 100)		
TIRE PRESSURE:	FRONT:	14 PSI	
	REAR:	10 PSI	
CHARGING SYSTEM:	20 AMPS @ 3600 RPM		
BLADE BOLT TORQUE:	30-35 FT. LBS		

WARNING: This tractor is equipped with an internal combustion engine and should not be used on or near any unimproved forest-covered, brush-covered or grass-covered land unless the engine's exhaust system is equipped with a spark arrester meeting applicable local or state laws (if any). If a spark arrester is used, it should be maintained in effective working order by the operator.

In the state of California the above is required by law (Section 4442 of the California Public Resources Code). Other states may have similar laws. Federal laws apply on federal lands. A spark arrester for the muffler is available through your nearest Sears Authorized Service Center/Department (See REPAIR PARTS section of this manual).

LIMITED TWO YEAR WARRANTY ON ELECTRIC START RIDING EQUIPMENT

For two years from date of purchase, when this riding equipment is maintained, lubricated, and tuned up according to the operating and maintenance instructions in the owner's manual, Sears will repair free of charge any defect in material or workmanship.

This Warranty does not cover:

- Tire replacement or repair caused by punctures from outside objects (such as nails, thorns, stumps, or glass).
- Expendable items which become worn during normal use, such as blades, spark plug, air cleaners and belts.
- Repairs necessary because of operator abuse or negligence, including bent crankshafts and the failure to maintain the equipment according to the instructions contained in the owner's manual.
- Riding equipment used for commercial or rental purposes.

FULL 90 DAY WARRANTY ON BATTERY

For 90 days from date of purchase, if any battery included with this riding equipment proves defective in material or workmanship and our testing determines the battery will not hold a charge, Sears will replace the battery at no charge.

WARRANTY SERVICE IS AVAILABLE BY CONTACTING THE NEAREST SEARS SERVICE CENTER/DEPARTMENT IN THE UNITED STATES. THIS WARRANTY APPLIES ONLY WHILE THIS PRODUCT IS IN USE IN THE UNITED STATES.

This Warranty gives you specific legal rights, and you may also have other rights which vary from state to state.

SEARS, ROEBUCK AND CO., D/731CR-W SEARS TOWER, CHICAGO, IL 60684

TABLE OF CONTENTS

SAFETY RULES	2	OPERATION	10-12
PRODUCT SPECIFICATIONS	3	MAINTENANCE SCHEDULE	13
CUSTOMER RESPONSIBILITIES	3, 13-16	SERVICE AND ADJUSTMENTS	17-20
WARRANTY	3	STORAGE	21
TABLE OF CONTENTS	4	TROUBLESHOOTING	22-23
INDEX	4	REPAIR PARTS - TRACTOR	25-39
TRACTOR ACCESSORIES	5	REPAIR PARTS - ENGINE	40-49
ASSEMBLY	7-9	PARTS ORDERING/SERVICE	BACK PAGE







INDEX

A		E		P	
Accessories	5	Electrical:		Parking Brake	10-11
Adjustments:		Interlocks and Relays	19	Parts Bag	6
Attachment Lift Spring	19	Schematic	25	Parts, Replacement/Repair	25-49
Brake	17	Wiring Diagram	26	Product Specifications	3
Carburetor	20	Engine:		R	
Clutch	17	Air Filter	16	Repair Parts	25-49
Throttle Control Cable	20	Air Filter Foam Pre-Cleaner	16	S	
Toe-In	18	Air Screen	16	Safety Rules	2
Air Filter, Engine	16	Cooling Fins, Engine	16	Seat	8
Air Screen, Engine	16	Oil Change	15	Service and Adjustments	17-20
Assembly	7-9	Oil Level	12,15	Attachment Lift Spring	19
B		Oil Type	15	Carburetor	20
Battery:		Preparation	12	Clutch	17
Charging	8	Repair Parts	40-49	Fuse	19
Cleaning	14	Starting	12	Hood Removal/Installation	20
Installation	9	Storage	21	Motion Drive Belt	
Levels	8,14	F		Removal/Replacement	18
Preparation	8	Filter:		Tire Care	8,19
Starting with Weak Battery	19	Air Filter	16	Toe-In	18
Storage	21	Air Filter Foam Pre-Cleaner	16	Slope Guide Sheet	51
Terminals	14	Fuel	16	Spark Plugs	16
Belt:		Oil	16	Specifications	3
Motion Drive		Fuel:		Starting the Engine	12
Removal/Replacement	18	Type	12	Steering Wheel	7,18
Brake Adjustment	17	Storage	21	Stopping the Tractor	11
C		Fuse	19	Storage	21
Carburetor Adjustment	20	H		T	
Clutch Adjustment	17	Hood Removal/Installation	20	Throttle Control Cable	
Controls, Tractor	10	I		Adjustment	20
Customer Responsibilities	13-16	Indicator Lights	12	Tires	8,19
Engine:		L		Trouble Shooting Chart	22-23
Air Filter	16	Lubrication Chart	13	Transaxle:	
Air Filter Foam Pre-Cleaner	16	M		Oil Level	14
Air Screen, Engine	16	Maintenance Schedule	13	Repair Parts	36-37
Battery	14	Muffler	16	W	
Cooling Fins, Engine	16	Spark Arrester	3,30	Warranty	3
Engine Oil	15	O		Wiring Diagram	26
Fuel Filter	16	Oil:		Wiring Schematic	26
Spark Plugs	16	Cold Weather Conditions	12,15		
Tractor:		Filter	16		
Lubrication Chart	13	Engine	15		
Maintenance Schedule	13	Storage	21		
Tire Care	8,19	Transaxle	14		
		Operation	10-12		
		Options:			
		Accessories	5		
		Spark Arrester	3,30		



ACCESSORIES AND ATTACHMENTS

These accessories and attachments were available when the tractor was purchased. They are also available at most Sears retail outlets, catalog and service centers. Most Sears stores can order these items for you when you provide the model number of your tractor.

ENGINE

SPARK PLUG	MUFFLER	AIR FILTER	GAS CAN	ENGINE OIL	STABILIZER
					

MAINTENANCE

BLADES	BELTS
	

PERFORMANCE

Sears offers a wide variety of attachments that fit your tractor. Many of these are listed below with brief explanations of how they can help you. This list was current at the time of publication; however, it may change in future years - more attachments may be added, changes may be made in these attachments, or some may no longer be available or fit your model. **Contact your nearest Sears store for the accessories and attachments that are available for your tractor.**

Most of these attachments do not require additional hitches or conversion kits (those that do are indicated) and are designed for easy attaching and detaching.

LAWN SWEEPERS let you collect grass clippings and leaves.

LAWN VACS for powerful collection of heavy grass clippings and leaves. Wand attachment to pick up debris in hard-to-reach places.

CARTS make hauling easy. Variety of sizes available.

ROLLER for smoother lawn surface. 36-inch wide, 18-inch diameter water-tight drum holds up to 390 lbs. of weight. Rounded edges prevent harm to turf. Adjustable scraper automatically cleans drum.

SPREADER/SEEDERS make seeding, fertilizing, and weed killing easy. Broadcast spreaders are also useful for granular de-icers and sand.

CORING AERATOR takes small plugs out of soil to allow moisture and nutrients to reach grass roots. 36-inch swath. 24 hardened steel coring tips. 150 lb. capacity weight tray.

AERATOR promotes deep root growth for a healthy lawn. Tapered 2.5-inch steel spikes mounted on 10-inch diameter discs puncture holes in soil at close intervals to let moisture soak in.

MULCH RAKE/DETHATCHER loosens soil and flips thatch and matted leaves to lawn surface for easy pickup. Twenty spring tine teeth. Useful to prepare bare areas for seeding. Available for front or rear mounting.

SPRAYERS use 12-volt DC electric motor that connects to the tractor battery or other 12-volt source. Includes booms for automatic spraying when pulling, and hand held wand for spot spraying. Wand has adjustable spray pattern. For applying herbicides, insecticides, fungicides, and liquid fertilizers.

SNOWTHROWER has 40-inch swath. Drum-type auger handles powdery and wet/heavy snow. Mounts easily with simple pin arrangement. Discharge chute adjusts from tractor seat. 6-inch diameter spout discharges snow 10 to 50 feet. Lift controlled at tractor seat. (Use with chains, wheel weights, or rear drawbar weight.)

TIRE CHAINS are heavy duty; closely spaced extra-large cross links give smooth ride, outstanding traction.

WHEEL WEIGHTS for rear wheels provide needed traction for snow removal or dozing heavy materials. (55 lbs. each)

TRACTOR CAB has heavy duty vinyl fabric over tubular steel frame, ABS plastic top; clear plastic windshield offers 360 degree visibility. Hinged metal doors with catch. Keeps operator warm and dry. Remove vinyl and windshields for use as sun protector in summer. (Catalog only)

Optional accessories for tractor cab: tinted/tempered solid safety glass windshield with hand operated wiper; 12-volt amber caution light for mounting on cab top. (Catalog only.)

TRACTOR COVER protects tractor from weather. Made of Evolution 3 fabric (water-repellent, extremely breathable, light weight, soft, non-abrasive, pliable in all temperatures, durable, stain/tear/puncture resistant, will not shrink or stretch). (Catalog only.)

TILLER has 8 hp engine to prepare seed beds, cultivate, and compost garden residue. Chain-drive transmission. Six 11-inch diameter one piece heat-treated steel tines. Tills 30-inch path (Requires sleeve hitch.)

TILLER has 5 hp engine and 36-inch swath to prepare seed beds, cultivate, and compost garden residue. Tiller has its own built-in lift and depth control system and does NOT require a sleeve hitch. Fits any lawn, yard, or garden tractor. Simply hook up to the tractor drawbar and go!

DOZER BLADE removes snow; grades dirt, sand and gravel. 48 inches wide, 17 inches high, clears 44-inch path when angled. Master lift control lever for operator ease. Spring trip for snow removal on uneven pavement; built-in float for blade to follow ground contour. Reversible, replaceable scraper bar. (Use with tire chains, wheel weights or rear drawbar weight.)

FRONT END LOADER system includes double wide rear tires, rear weight box, and hydraulically operated 5.26 cu.ft. bucket (Catalog only.)

REAR BLADE is 42 inches wide and operated from driver's seat. Reversible steel blade can be angled at 30 degrees for grading. Reverses for snow plowing. (Requires sleeve hitch.)

SLEEVE CULTIVATOR is 43 inches wide. Prepares ground for seeding, helps weed control. Steel frame holds 5 adjustable sweeps. Adjusts vertically, horizontally. (Requires sleeve hitch.) Optional accessory for cultivator: steel furrow opener for wider openings for potatoes, corn, and other deep-seeded crops.

PLOW turns soil 6 inches deep, cuts 10-inch furrow. Crank adjustment controls depth, 3-position yoke sets width. Heavy steel landslide for straight furrowing. (Requires sleeve hitch.)

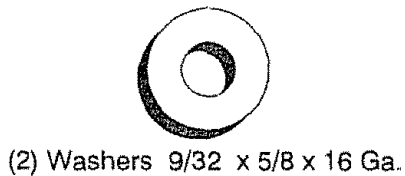
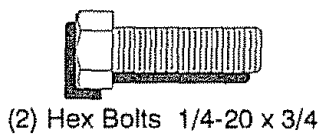
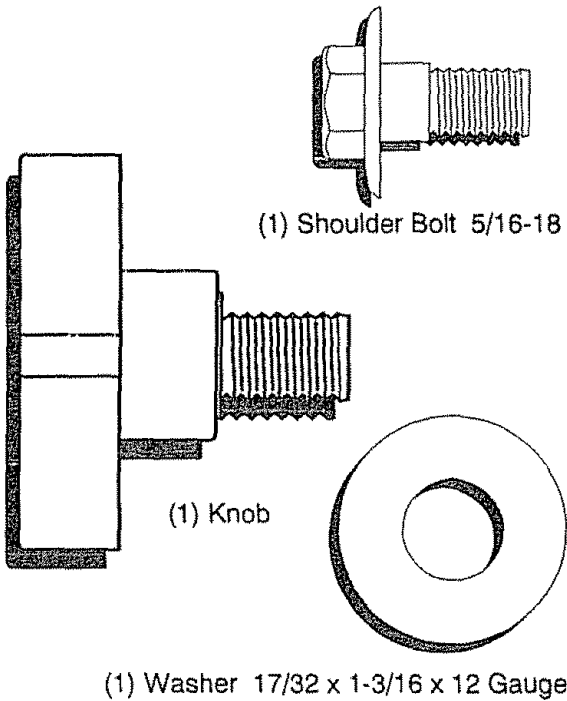
DISC HARROW has 2 gangs of 4 steel blades that angle from 10 to 20 degrees, 40 inches wide. Can hook 2 units in tandem (Requires sleeve hitch.)

WEIGHT BRACKET for drawbar for snow removal applications. Can be mounted on front of tractor for plowing applications. Uses (1) 55 lb. weight.

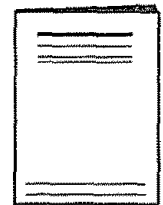
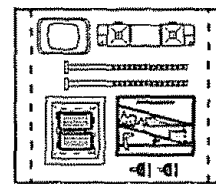
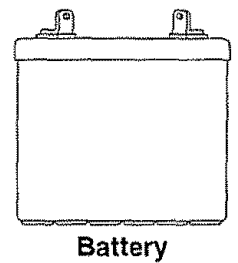
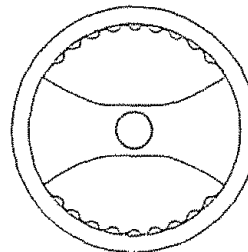
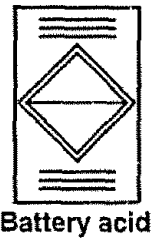
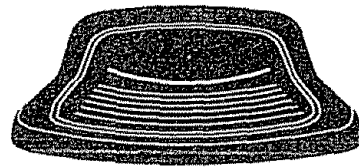
SLEEVE HITCH for use with master lift system. Single pin couples/uncouples.

CONTENTS OF HARDWARE PACK

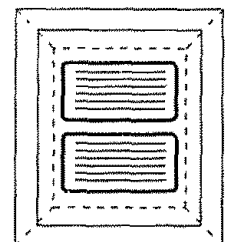
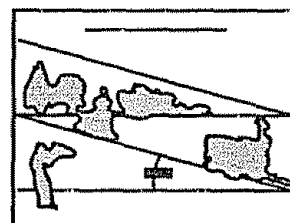
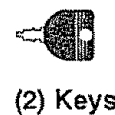
Parts Bag contents shown full size



Parts packed separately in carton



Parts bag contents not shown full size



ASSEMBLY

TOOLS REQUIRED FOR ASSEMBLY

A socket wrench set will make assembly easier. Standard wrench sizes are listed.

- (2) 7/16" wrenches
- (1) Tire pressure gauge
- (1) Adjustable wrench
- (1) Utility knife

When right and left hand is mentioned in this manual, it means when you are in the operating position (seated behind the steering wheel).

TO REMOVE TRACTOR FROM CARTON

UNPACK CARTON

- Remove all accessible loose parts from carton (See page 6).
- Cut along dotted lines on the carton, from top to bottom, all four corners of carton and lay panels flat.
- Check for any additional loose parts or cartons and remove.

ATTACH STEERING WHEEL (See Fig. 1)

- Remove hex bolt, lock washer and large flat washer from steering shaft.
- Position front wheels of the tractor so they are pointing straight forward.
- Position steering wheel so cross bars are horizontal (left to right) and slide onto adapter.
- Secure steering wheel to steering shaft with hex bolt, lock washer and large flat washer previously removed. Tighten securely.
- Snap insert into center of steering wheel.
- Remove protective plastic from tractor hood and grill.

BEFORE ROLLING TRACTOR OFF SKID

IMPORTANT: CHECK FOR AND REMOVE ANY STAPLES IN SKID THAT MAY PUNCTURE TIRES WHERE TRACTOR IS TO ROLL OFF SKID

(See Fig. 2)

- Release parking brake by depressing clutch/brake pedal.
- Place gearshift lever in "NEUTRAL" position.
- Roll tractor backwards off skid.

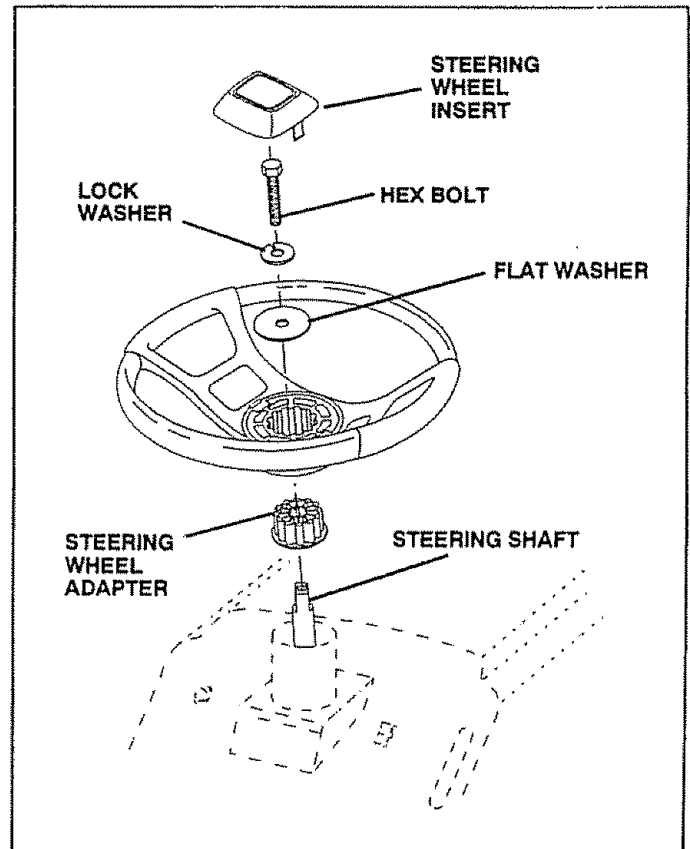


FIG. 1

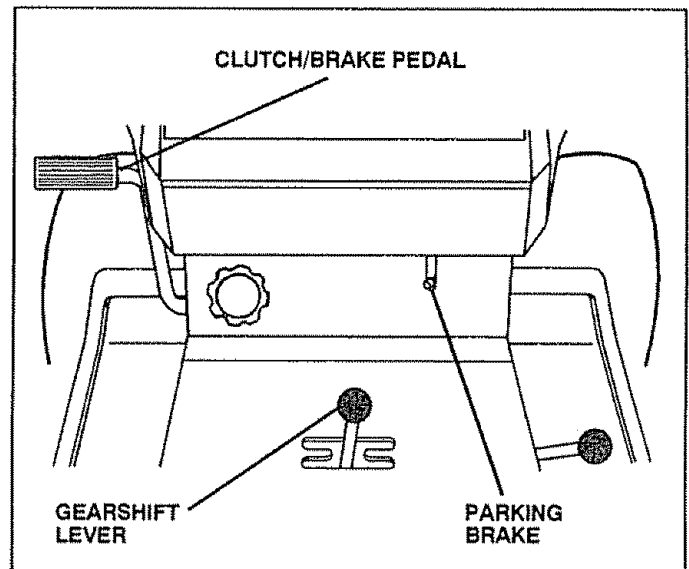



FIG. 2

ASSEMBLY

HOW TO SET UP YOUR TRACTOR

PREPARE BATTERY (See Fig. 3)



CAUTION: Wear eye and face shield.
Wash hands or clothing immediately if accidentally in contact with battery acid.
Do not smoke. Fumes from charged battery acid are explosive.
Read the instructions included with the battery vent caps. Always wear gloves, clothing and goggles to protect your hands, skin and eyes.

Your tractor has a battery charging system which is sufficient for normal use. However, periodic charging of the battery with an automotive charger will extend its life.

- See instructions packed with vent caps in parts bag.
- Fill battery with acid. Fill each cell until it reaches the bottom of the vent wells. Do not overfill.
- Allow battery to stand and settle for at least thirty minutes. After standing, check the level of acid. If below the vent wells, add more acid until the correct level is reached.

While battery is standing (after adding acid) and later, while battery is being charged, continue with assembly of tractor.

IMPORTANT: TO MAXIMIZE THE LIFE OF YOUR BATTERY, IT IS NECESSARY THAT THE BATTERY BE CHARGED BEFORE USE. FAILURE TO CHARGE BATTERY CAN RESULT IN A SHORTENED BATTERY LIFE

- Charge battery at a rate of 6 amperes for 1 hour. Use a 12 volt battery charger. Observe all safety precautions required for battery charging.
- Check the acid level after the battery is charged. If the acid has fallen below the correct level, add distilled or iron free water.
- Install the vent caps to cover the vent wells. Wash the top of the battery with water to remove any acid, then wipe dry.
- Check battery case for leakage to make sure that no damage has occurred in handling.
- Dispose of excess battery acid. Neutralize acid for disposal by adding it to four inches of water in a five gallon plastic container. Stir with a wooden or plastic paddle while adding baking soda until the addition of more soda causes no more foaming.
- Follow instructions on how to install battery.

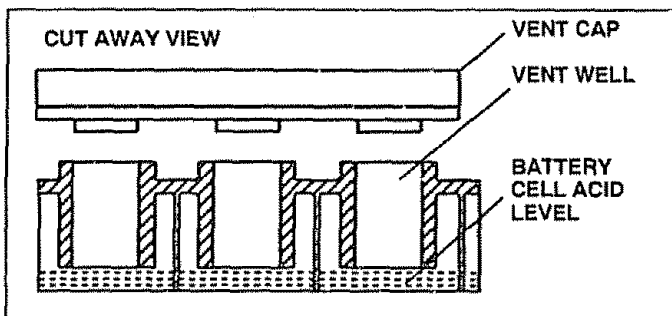


FIG. 3

INSTALL SEAT (See Fig. 4)

Adjust seat before tightening adjustment knob.

- Remove cardboard packing on seat pan.
- Place seat on pan and assemble shoulder bolt.
- Assemble adjustment knob, lock washer and flat washer loosely. Do not tighten.
- Tighten shoulder bolt securely.
- Lower seat into operating position and sit on seat.
- Slide seat until a comfortable position is reached which allows you to press clutch/brake pedal all the way down.
- Get off seat without moving its adjusted position.
- Raise seat and tighten adjustment knob securely.

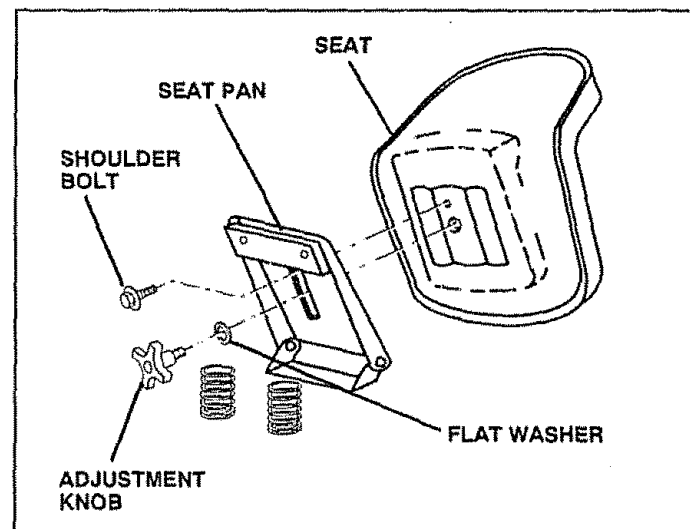


FIG. 4

CHECK TIRE PRESSURE

The tires on your tractor were overinflated at the factory for shipping purposes. Correct tire pressure is important for best cutting performance.

- Reduce tire pressure to PSI shown in "PRODUCT SPECIFICATIONS" on page 3 of this manual.

CHECK BRAKE SYSTEM

After you learn how to operate your tractor, check to see that the brake is properly adjusted. See "TO ADJUST BRAKE" in the Service and Adjustments section of this manual.

ASSEMBLY

INSTALL BATTERY (See Figs. 5 & 6)



CAUTION: Do not short battery terminals. Before installing battery, remove metal bracelets, wristwatch bands, rings, etc.

Positive terminal must be connected first to prevent sparking from accidental grounding.

- Raise hood.
- Make sure drain tube is fastened to drain hole in battery tray and battery tray is positioned in hole of battery support.
- Place battery in plastic tray, battery terminals to front of tractor.
- First connect RED battery cable to positive (+) battery terminal with hex bolt, flat washer, lock washer and hex nut as shown. Tighten securely.
- Connect BLACK grounding cable to negative (-) battery terminal with remaining hex bolt, flat washer, lock washer and hex nut. Tighten securely.
- Slide the two battery bolts through the terminal guard and start the wing nuts onto the threads.
- Position terminal guard over the battery as shown, lower bolts into key holes and slide square shafts of bolts into slots of key holes.
- Tighten wing nuts by hand making sure battery bolts remain in slots of the key holes in the battery support.
- Be sure terminal access doors are closed.

Use terminal access doors for:

- Inspection for secure connections (to tighten hardware).
- Inspection for corrosion.
- Testing battery.
- Jumping (if required).
- Periodic charging.

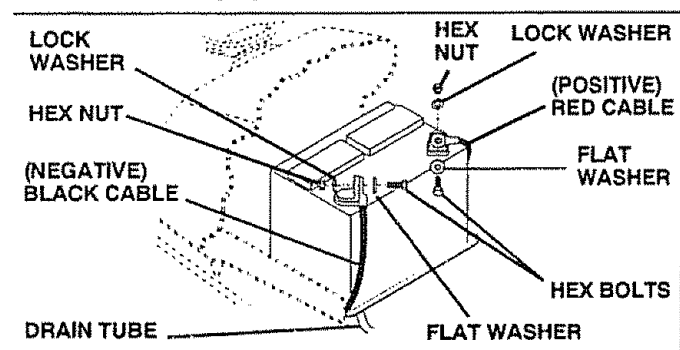


FIG. 5

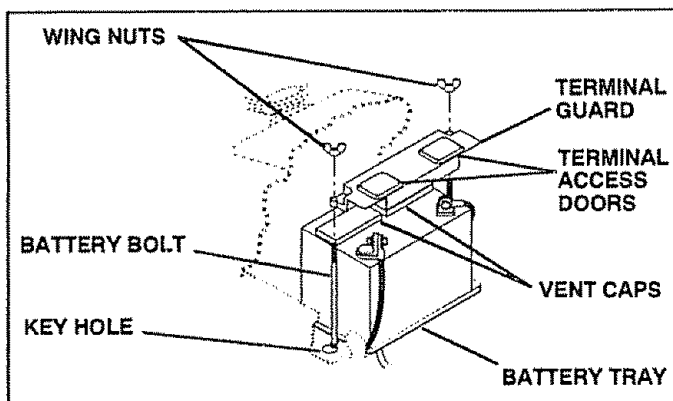


FIG. 6

✓ CHECKLIST

BEFORE YOU OPERATE AND ENJOY YOUR NEW TRACTOR, WE WISH TO ASSURE THAT YOU RECEIVE THE BEST PERFORMANCE AND SATISFACTION FROM THIS QUALITY PRODUCT.

PLEASE REVIEW THE FOLLOWING CHECKLIST:

- ✓ All assembly instructions have been completed.
- ✓ No remaining loose parts in carton.
- ✓ Battery is properly prepared and charged. (Minimum 1 hour at 6 amps).
- ✓ Seat is adjusted comfortably and tightened securely.
- ✓ All tires are properly inflated. (For shipping purposes, the tires were over-inflated at the factory).
- ✓ Be sure mower deck is properly leveled side-to-side/front-to-rear for best cutting results. (Tires must be properly inflated for leveling).
- ✓ Check mower and drive belts. Be sure they are routed properly around pulleys and inside all belt keepers.
- ✓ Check wiring. See that all connections are still secure and wires are properly clamped.

WHILE LEARNING HOW TO USE YOUR TRACTOR, PAY EXTRA ATTENTION TO THE FOLLOWING IMPORTANT ITEMS:

- ✓ Engine oil is at proper level.
- ✓ Fuel tank is filled with fresh, clean, regular unleaded gasoline.
- ✓ Become familiar with all controls-their location and function. Operate them before you start the engine.
- ✓ Be sure brake system is in safe operating condition.

OPERATION

KNOW YOUR TRACTOR

READ THIS OWNER'S MANUAL AND SAFETY RULES BEFORE OPERATING YOUR TRACTOR.

Compare the illustrations with your tractor to familiarize yourself with the location of various controls and adjustments. Save this manual for future reference.

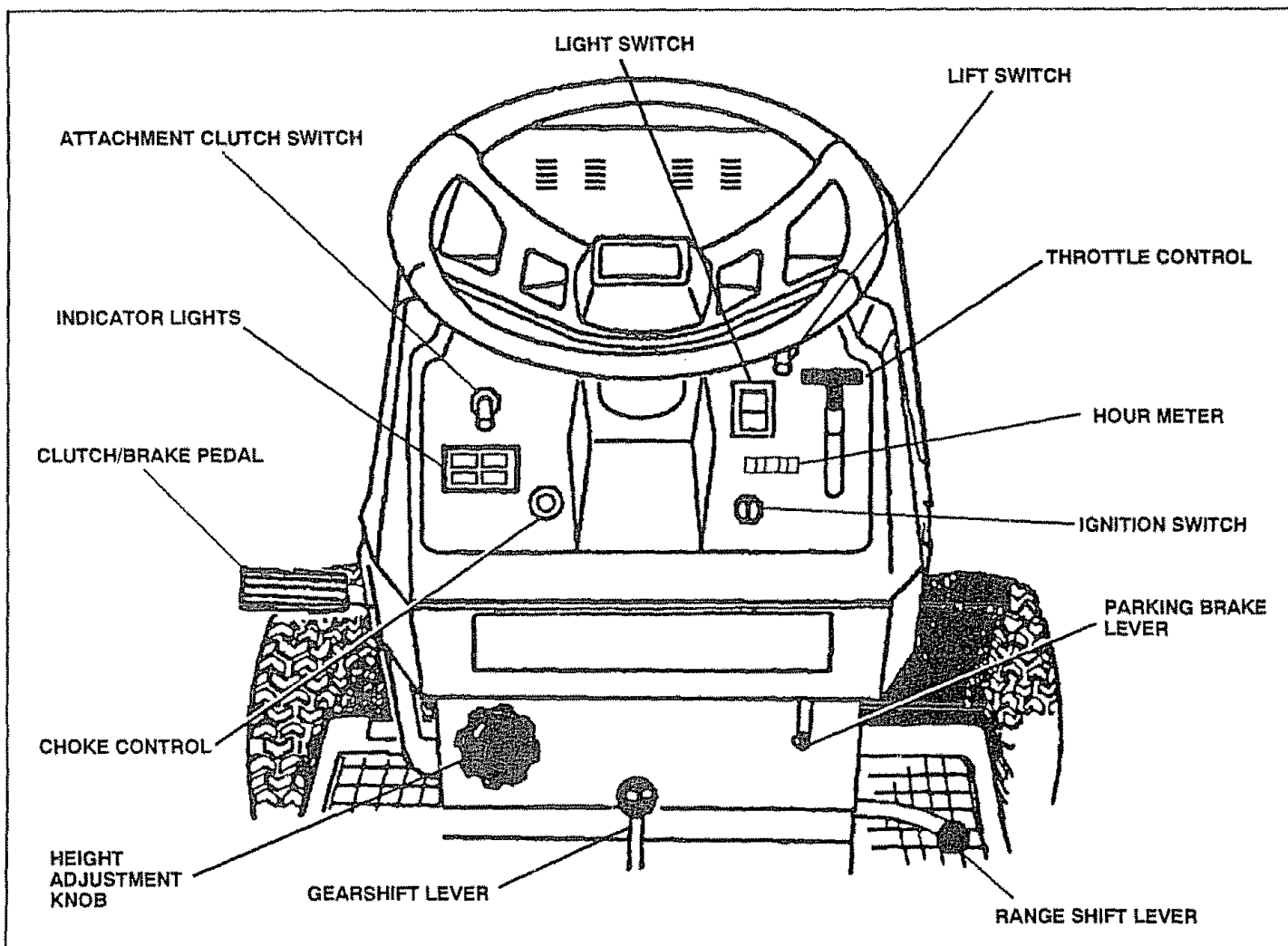


FIG. 7

Sears tractors conform to the safety standards of the American National Standards Institute.

ATTACHMENT CLUTCH SWITCH - Used to engage mower blades or other attachments mounted to your tractor.

LIFT SWITCH - Used to raise and lower mower deck or other attachments mounted to your tractor. Ignition switch must be on to operate this switch.

HOUR METER - Indicates hours of operation.

CLUTCH/BRAKE PEDAL - Used for declutching and braking the tractor and starting the engine.

HEIGHT ADJUSTMENT KNOB - Used to adjust the mower height.

GEARSHIFT LEVER: Selects the speed and direction of tractor.

THROTTLE CONTROL - Used to control engine speed.

RANGE SHIFT LEVER - Allows "HI" or "LO" speed for all forward and reverse gears.

IGNITION SWITCH - Used to start and stop the engine.

INDICATOR LIGHTS - Indicates clutch/brake pedal engagement, attachment engagement, battery charging (+) or discharging (-), and low oil pressure.

LIGHT SWITCH - Turns the headlights on and off.

PARKING BRAKE LEVER - Locks clutch/brake pedal into the brake position.

CHOKE CONTROL - Used when starting a cold engine.

OPERATION



The operation of any tractor can result in foreign objects thrown into the eyes, which can result in severe eye damage. Always wear safety glasses or eye shields before starting your tractor and while moving. We recommend wide vision safety mask for over the spectacles or standard safety glasses.

HOW TO USE YOUR TRACTOR TO SET PARKING BRAKE (See Fig. 8)

- Depress clutch/brake pedal into full "BRAKE" position and hold.
- Place parking brake lever in "ENGAGED" position and release pressure from clutch/brake pedal. Pedal should remain in "BRAKE" position. Make sure parking brake will hold tractor secure.

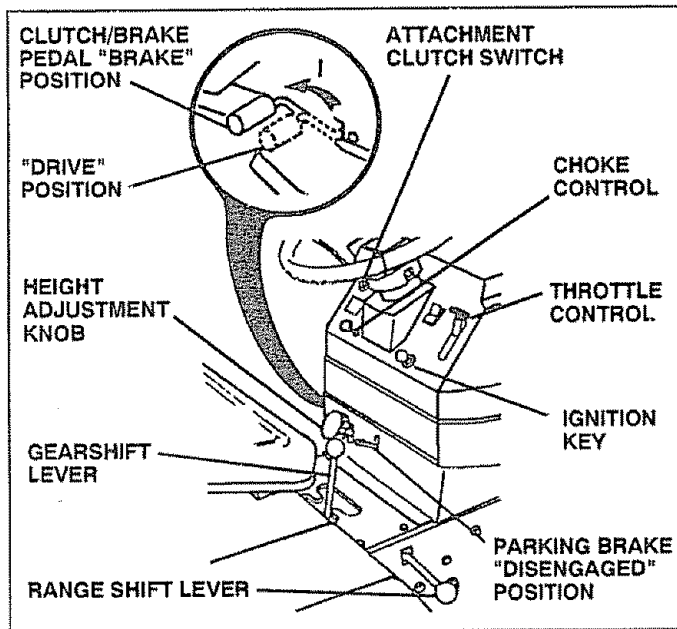


FIG. 8

STOPPING (See Fig. 8)

MOWER BLADES -

- Move attachment clutch switch to "DISENGAGED" position.

GROUND DRIVE -

- Depress clutch/brake pedal into full "BRAKE" position.
- Move gearshift lever to "NEUTRAL" position.

ENGINE -

- Move throttle control to "SLOW" position.
- Turn ignition key to "OFF" position and remove key. Always remove key when leaving vehicle to prevent unauthorized use.
- Never use choke to stop engine.

NOTE: Under certain conditions when tractor is standing idle with engine running, hot engine exhaust gasses may cause "browning" of grass. To eliminate this possibility, always stop engine when stopping tractor on grass covered areas..



CAUTION: Always stop tractor completely, as described above, before leaving the operator's position; to empty grass catcher, etc.

TO USE CHOKE CONTROL (See Fig. 8)

Use choke control whenever you are starting a cold engine. Do not use to start a warm engine.

- To engage choke control, pull knob out. Slowly push knob in to disengage.

TO USE THROTTLE CONTROL (See Fig. 8)

Always operate engine at full throttle.

- Operating engine at less than full throttle reduces the battery charging rate and the engine cooling air flow.
- Full throttle offers the best mower performance.

TO MOVE FORWARD AND BACKWARD (See Fig. 8)

The direction and speed of movement is controlled by the gearshift lever.

- Start tractor with clutch/brake pedal depressed and gearshift lever in "NEUTRAL" position.
- Move gearshift and range shift levers to desired position.
- Slowly release clutch/brake pedal to start movement.

IMPORTANT: BRING TRACTOR TO A COMPLETE STOP BEFORE SHIFTING OR CHANGING GEARS. FAILURE TO DO SO WILL SHORTEN THE USEFUL LIFE OF YOUR TRANSAXLE.

TO OPERATE ON HILLS



CAUTION: Do not drive up or down hills with slopes greater than 15° and do not drive across any slope.

- Choose the slowest speed before starting up or down hills.
- Avoid stopping or changing speed on hills.
- If slowing is necessary, move throttle control to slower position.
- If stopping is absolutely necessary, push clutch/brake pedal quickly to brake position and engage parking brake.
- Move gearshift lever to "NEUTRAL" position.
- To restart movement, move gearshift lever to 1st gear and range shift lever to "LO" position. Be sure you have allowed room for tractor to roll slightly as you restart movement.
- Slowly release parking brake and clutch/brake pedal.
- Make all turns slowly.

TO TRANSPORT

- Raise attachment lift control to highest position.
- When pushing or towing your tractor, be sure gearshift lever is in "NEUTRAL" position.
- Do not push tractor at more than five (5) MPH.

OPERATION

BEFORE STARTING THE ENGINE

CHECK ENGINE OIL LEVEL (See Fig. 9)

- The engine in your tractor has been shipped, from the factory, already filled with summer weight oil.
- Check engine oil with unit on level ground.
- Remove dipstick and wipe clean, replace and screw cap tight, wait for a few seconds, remove and read oil level. If necessary, add oil until "FULL" mark on dipstick is reached. Do not overfill.
- For cold weather operation you should change oil for easier starting (see "OIL VISCOSITY CHART" in the Customer Responsibilities section of this manual).
- To change engine oil, see the Customer Responsibilities section in this manual.

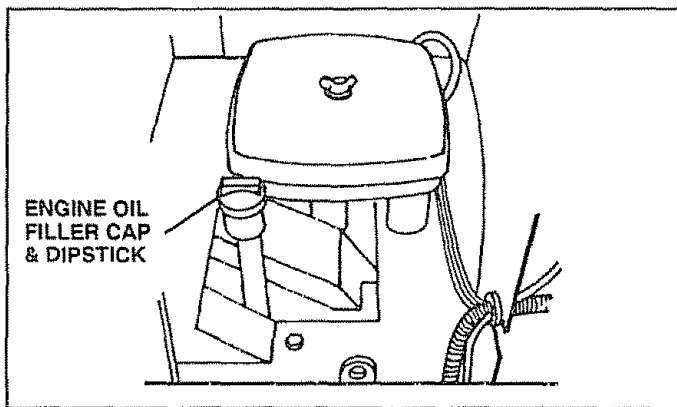


FIG. 9

ADD GASOLINE

- Fill fuel tank. Use fresh, clean, regular unleaded gasoline. (Use of leaded gasoline will increase carbon and lead oxide deposits and reduce valve life).

IMPORTANT: WHEN OPERATING IN TEMPERATURES BELOW 32°F (0°C), USE FRESH, CLEAN WINTER GRADE GASOLINE TO HELP INSURE GOOD COLD WEATHER STARTING.

WARNING: Experience indicates that alcohol blended fuels (called gasohol or using ethanol or methanol) can attract moisture which leads to separation and formation of acids during storage. Acidic gas can damage the fuel system of an engine while in storage. To avoid engine problems, the fuel system should be emptied before storage of 30 days or longer. Drain the gas tank, start the engine and let it run until the fuel lines and carburetor are empty. Use fresh fuel next season. See Storage Instructions for additional information. Never use engine or carburetor cleaner products in the fuel tank or permanent damage may occur.



CAUTION: Fill to bottom of gas tank filler neck. Do not overfill. Wipe off any spilled oil or fuel. Do not store, spill or use gasoline near an open flame.



CAUTION: Before driving the tractor, install mower or remove front mower suspension bracket and suspension arms.

INDICATOR LIGHTS

Located on the dash of your tractor, these lights alert you to necessary steps required to start your unit or, while tractor is running, alerts you to a serious problem which requires immediate attention.



• Indicates you must depress clutch/brake pedal fully to start tractor.



• Indicates you must disengage attachment clutch control to start tractor.



• Indicates a drop in battery voltage. Increase throttle speed and/or check battery and wiring (See the Customer Responsibilities and Trouble Shooting sections in this manual).



• Indicates low oil pressure in your engine. Light should come on when engine is not running and key switch is in "ON" position. This is a test to be sure light is working and a reminder to always check oil level before starting engine.

IMPORTANT: IF CHECK OIL LIGHT COMES ON WHILE THE ENGINE IS RUNNING, SHUT OFF ENGINE IMMEDIATELY AND CHECK FOR CAUSE OR SERIOUS ENGINE DAMAGE WILL OCCUR.

STARTING (See Fig.13)

When starting engine for the first time or if engine has run out of fuel, it will take extra cranking time to move fuel from the tank to the engine.

- Depress the clutch/brake pedal and set the parking brake.
- Place gearshift lever in "NEUTRAL" position.
- Move attachment clutch to "DISENGAGED" position.
- Pull choke control out to "CHOKE" position for cold engine start. For warm engine start do not use choke control.
- Move throttle control to midway between "FAST" and "SLOW" positions.
- Turn ignition key clockwise to "START" position and release key as soon as engine starts. Do not run starter continuously for more than fifteen seconds per minute. If engine does not start after several attempts, move throttle control to "FAST" position, wait a few minutes and try again.
- When engine starts, slowly push choke control in.
- Move throttle control to "FAST" position.
- Allow engine to warm up for a few minutes before engaging clutch/brake pedal or attachment clutch switch.

NOTE: If at a high altitude (above 3000 feet) or in cold temperatures (below 32° F), the carburetor fuel mixture may need to be adjusted for best engine performance. See "TO ADJUST CARBURETOR" in the Service and Adjustments section of this manual.

CUSTOMER RESPONSIBILITIES

MAINTENANCE SCHEDULE FILL IN DATES AS YOU COMPLETE REGULAR SERVICE		SERVICE INTERVALS							SERVICE DATES				
		BEFORE EACH USE	FIRST 2 HOURS	EVERY 8 HOURS	EVERY 25 HOURS	EVERY 50 HOURS	EVERY 100 HOURS	BEFORE STORAGE					
TRACTOR	Check Brake Operation	✓	✓										
	Check Tire Pressure	✓	✓										
	Check for Loose Fasteners	✓						✓					
	Sharpen/Replace Mower Blades				✓ ₄								
	Lubrication Chart			✓	✓			✓					
	Check Battery Level/Recharge			✓									
	Clean Battery and Terminals			✓					✓				
	Check Transmission Cooling			✓									
	Adjust Blade Belt(s) Tension						✓ ₅						
	Adjust Motion Drive Belt(s) Tension						✓ ₅						
ENGINE	Check Engine Oil Level	✓	✓										
	Change Engine Oil		✓	✓ _{1,2,3}				✓					
	Clean Air Filter			✓ ₂									
	Clean Air Screen			✓ ₂									
	Inspect Muffler/Spark Arrester				✓								
	Replace Oil Filter (If equipped)						✓ _{1,2}						
	Clean Engine Cooling Fins						✓ ₂						
	Replace Spark Plug						✓	✓					
	Replace Air Filter Paper Cartridge						✓ ₂						
Replace Fuel Filter							✓						

1 - Change more often when operating under a heavy load or in high ambient temperatures.
2 - Service more often when operating in dirty or dusty conditions.

3 - If equipped with oil filter, change oil every 50 hours.
4 - Replace blades more often when mowing in sandy soil.
5 - If equipped with adjustable system.

GENERAL RECOMMENDATIONS

The warranty on this tractor does not cover items that have been subjected to operator abuse or negligence. To receive full value from the warranty, operator must maintain tractor as instructed in this manual.

Some adjustments will need to be made periodically to properly maintain your tractor.

All adjustments in the Service and Adjustments section of this manual should be checked at least once each season.

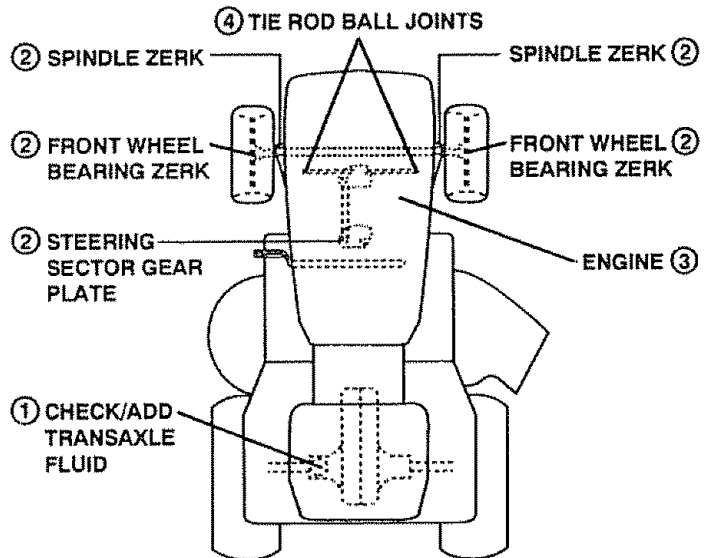
- Once a year you should replace the spark plug, clean or replace air filter, and check blades and belts for wear. A new spark plug and clean air filter assure proper air-fuel mixture and help your engine run better and last longer.

BEFORE EACH USE

- Check engine oil level.
- Check brake operation.
- Check tire pressure.
- Check for loose fasteners.

IMPORTANT: DO NOT OIL OR GREASE THE PIVOT POINTS WHICH HAVE SPECIAL NYLON BEARINGS. VISCOUS LUBRICANTS WILL ATTRACT DUST AND DIRT THAT WILL SHORTEN THE LIFE OF THE SELF-LUBRICATING BEARINGS. IF YOU FEEL THEY MUST BE LUBRICATED, USE ONLY A DRY, POWDERED GRAPHITE TYPE LUBRICANT SPARINGLY.

LUBRICATION CHART



- ① SAE 30 MOTOR OIL API - SG
- ② GENERAL PURPOSE GREASE
- ③ REFER TO CUSTOMER RESPONSIBILITIES "ENGINE" SECTION
- ④ SPRAY SILICONE LUBRICANT (MOVE BOOTS TO LUBRICATE)

CUSTOMER RESPONSIBILITIES

TRACTOR

Always observe safety rules when performing any maintenance.

BRAKE OPERATION

If tractor requires more than six (6) feet stopping distance at high speed in highest gear, then brake must be adjusted. (See "TO ADJUST BRAKE" in the Service and Adjustments section of this manual).

TIRES

- Maintain proper air pressure in all tires (See "PRODUCT SPECIFICATIONS" on page 3 of this manual).
- Keep tires free of gasoline, oil, or insect control chemicals which can harm rubber.
- Avoid stumps, stones, deep ruts, sharp objects and other hazards that may cause tire damage.

CHECK TRANSAXLE OIL LEVEL

(See Fig. 10)

- Block up rear axle securely or use a tractor jack.
- Remove left rear wheel by removing hub bolts.
- Remove filler plug from transaxle. Oil level must be even with plug threads. If necessary, fill with SAE 30 non-detergent oil API-SG. Replace filler plug.
- Reassemble wheel to hub.

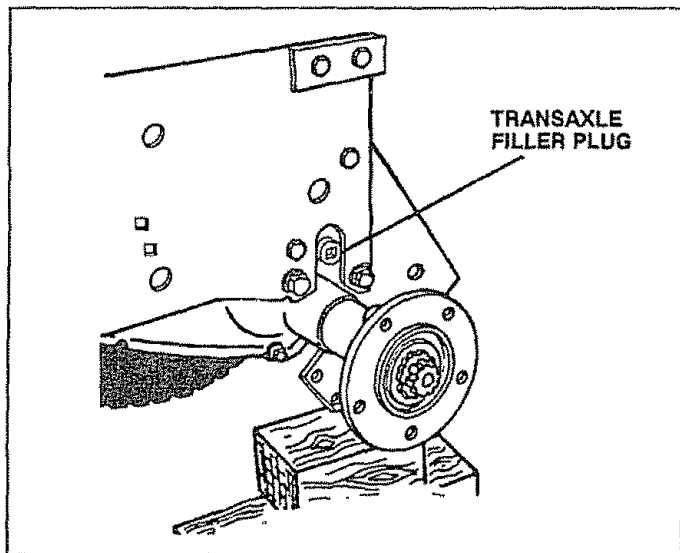


FIG. 10

BATTERY (See Fig. 11)

Your tractor has a battery charging system which is sufficient for normal use. However, periodic charging of the battery with an automotive charger will extend its life.

- Acid solution level in each battery cell should be even with bottoms of vent wells. Add only distilled or iron free water if necessary. Do not overfill.
- Keep battery and terminals clean.
- Keep battery bolts tight.
- Keep vent caps tight and small vent holes in caps open.
- Recharge at 6 amperes for 1 hour.

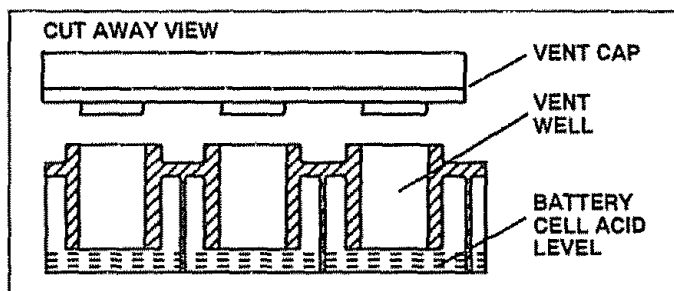


FIG. 11

TO CLEAN BATTERY AND TERMINALS -

Corrosion and dirt on the battery and terminals can cause the battery to "leak" power.

- Remove terminal guard.
- Disconnect BLACK battery cable first then RED battery cable and remove battery from tractor.
- Wash battery with solution of four tablespoons of baking soda to one gallon of water. Be careful not to get the soda solution into the cells.
- Rinse the battery with plain water and dry.
- Clean terminals and battery cable ends with wire brush until bright.
- Coat terminals with grease or petroleum jelly.
- Reinstall battery (See "INSTALL BATTERY" in the Assembly section of this manual).

V- BELTS

Check V-Belts for deterioration and wear after 100 hours of operation. Replace if necessary. The belts are not adjustable. Replace belts if they begin to slip from wear.

TRANSAXLE COOLING

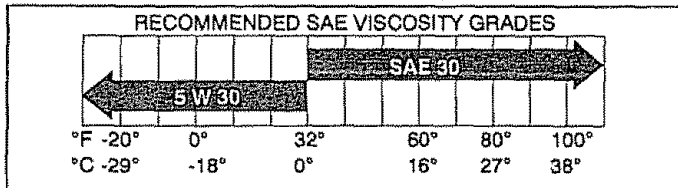
Keep transaxle free from build-up of dirt and chaff which can restrict cooling.

CUSTOMER RESPONSIBILITIES

ENGINE

LUBRICATION

Only use high quality detergent oil rated with API service classification SG. Select the oil's SAE viscosity grade according to your expected operating temperature.



NOTE: Although multi-viscosity oils (5W30, 10W30 etc.) improve starting in cold weather, these multi-viscosity oils will result in increased oil consumption when used above 32°F. Check your engine oil level more frequently to avoid possible engine damage from running low on oil.

Change the oil after the first two hours of operation and every 50 hours thereafter or at least once a year if the tractor is not used for 50 hours in one year.

Check the crankcase oil level before starting the engine and after each eight (8) hours of continuous use. Tighten oil fill cap/dipstick securely each time you check the oil level.

TO CHANGE ENGINE OIL (See Figs. 12 and 13)

Determine temperature range expected before oil change. All oil must meet API service classification SG.

- Be sure tractor is on level surface.
- Oil will drain more freely when warm.
- Catch oil in a suitable container.
- Remove oil fill dipstick. Be careful not to allow dirt to enter the engine when changing oil.
- Remove drain plug.
- After oil has drained completely, replace oil drain plug and tighten securely.
- Refill engine with oil through oil fill dipstick tube. Pour slowly. Do not overfill. For approximate capacity see "PRODUCT SPECIFICATIONS" on page 3 of this manual.
- Use gauge on oil fill dipstick for checking level. Be sure dipstick cap is tightened securely for accurate reading. Keep oil at "FULL" line on dipstick.

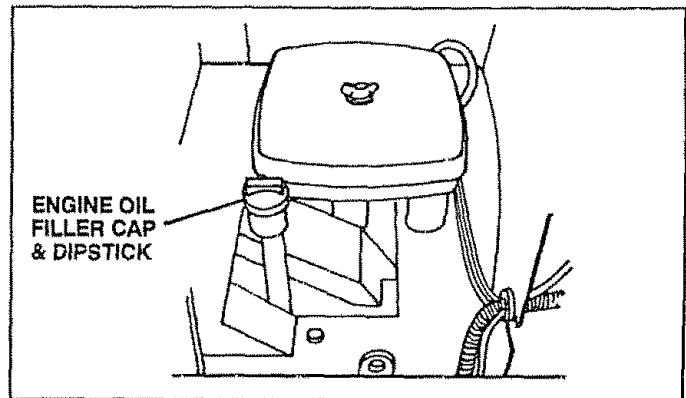


FIG. 12

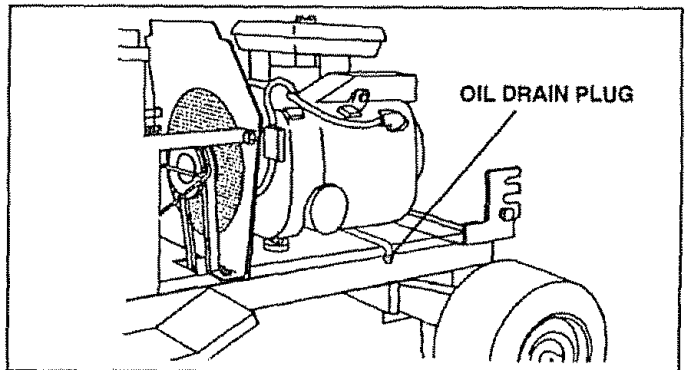


FIG. 13

CLEAN AIR SCREEN (See Fig. 14)

Air screen must be kept free of dirt and chaff to prevent engine damage from overheating. Clean with a wire brush or compressed air to remove dirt and stubborn dried gum fibers.

CLEAN ENGINE COOLING FINS (See Fig. 14)

Remove any dust, dirt or oil from engine cooling fins to prevent engine damage from overheating. Air guide covers must be removed. Remove side panels and hood (See "TO REMOVE HOOD AND GRILL ASSEMBLY" in the Service and Adjustments section of this manual).

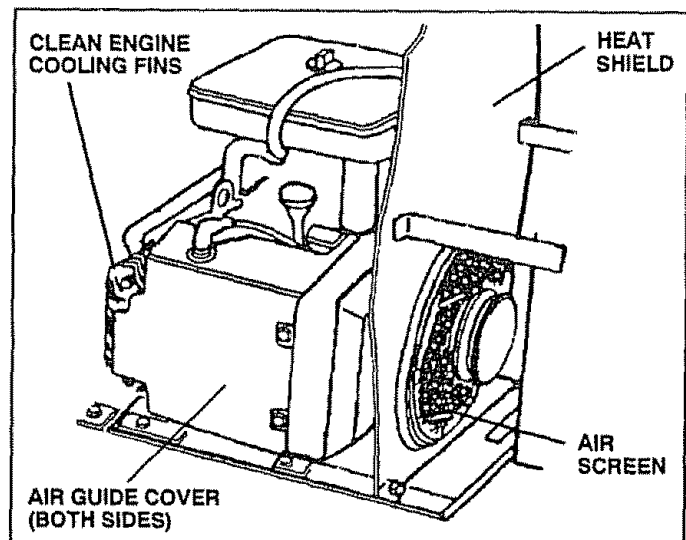


FIG. 14

CUSTOMER RESPONSIBILITIES

AIR FILTER FOAM PRE-CLEANER

(See Fig. 15)

Your engine will not run properly and may be damaged by using a dirty air filter. Clean the foam pre-cleaner element after every 25 hours of operation, more often if tractor is used in very dusty, dirty conditions.

- Remove cover knob and cover.
- Remove rubber spacer, wing nut, and element cover.
- Remove foam pre-cleaner by sliding it off the paper cartridge.

NOTE: Do not attempt to clean or oil the paper cartridge. Replace paper cartridge once a year or after every 100 hours of operation, more often if used in very dusty, dirty conditions.

- Wash foam pre-cleaner in liquid detergent and water.
- Wrap foam pre-cleaner in cloth and squeeze dry.
- Lightly coat foam pre-cleaner with clean engine oil. Squeeze in towel to remove excess oil. Do not saturate.
- Install foam pre-cleaner over paper cartridge.
- Reassemble element cover, wing nut, and rubber spacer.
- Reassemble cover and screw down tight.

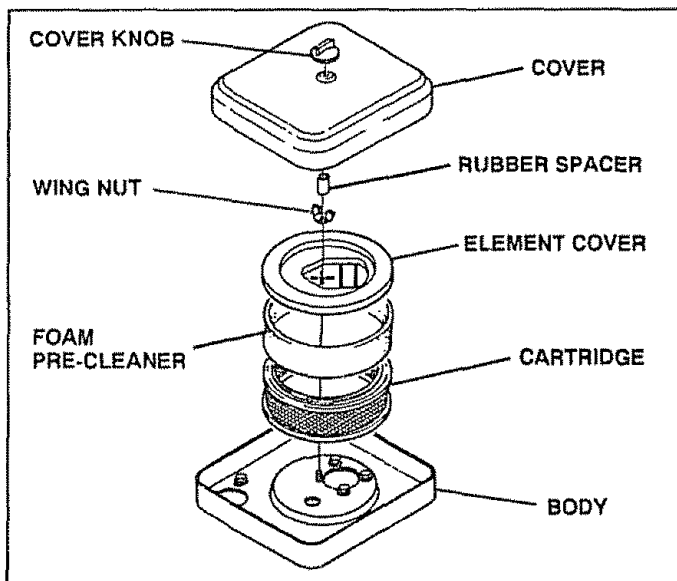


FIG. 15

MUFFLER

Inspect and replace corroded muffler and spark arrester (if equipped) as it could create a fire hazard and/or damage.

SPARK PLUGS

Replace spark plugs at the beginning of each mowing season or after every 100 hours of use, whichever comes first. Spark plug type and gap setting is shown in "PRODUCT SPECIFICATIONS" on page 3 of this manual.

ENGINE OIL FILTER (See Fig. 16)

Replace the engine oil filter every season or every other oil change if the tractor is used for more than 100 hours in one year.

- Unscrew old filter by turning counterclockwise. Use a suitable container to catch oil.
- Apply a thin coating of new engine oil to rubber gasket on replacement oil filter.
- Install replacement oil filter by turning clockwise until rubber gasket contacts mounting surface, then tighten filter an additional 1/2 to 3/4 turn.
- Fill crankcase with new oil (See "TO CHANGE ENGINE OIL" in this section of this manual). For approximate capacity see "PRODUCT SPECIFICATIONS" on page 3 of this manual.
- Start engine and check for oil leaks. Correct any leaks before placing engine into full operation.

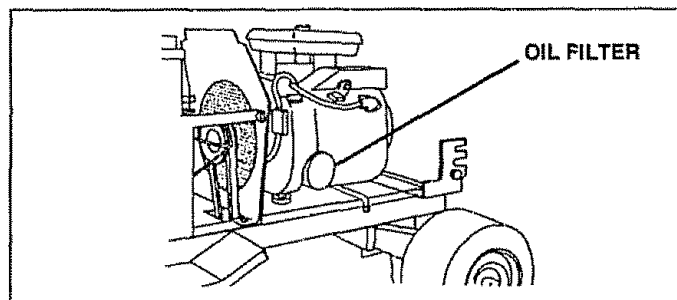


FIG. 16

IN-LINE FUEL FILTER (See Fig. 17)

Fuel filter should be replaced once each season. If fuel filter becomes clogged, obstructing fuel flow to carburetor, replacement is required.

- With engine cool, remove filter and plug fuel line sections.
- Place new fuel filter in position in fuel line with arrow pointing towards carburetor.
- Be sure there are no fuel line leaks and clamps are properly positioned.
- Immediately wipe up any spilled gasoline.

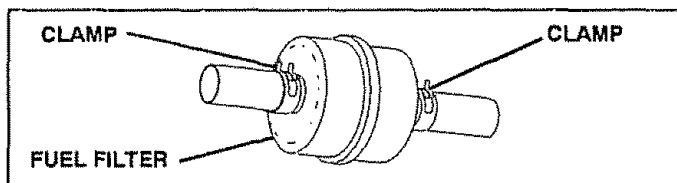


FIG. 17

CLEANING

- Clean engine, battery, seat, finish, etc. of all foreign matter.
- Keep finished surfaces and wheels free of all gasoline, oil, etc.
- Protect painted surfaces with automotive type wax.

We do not recommend using a garden hose to clean your tractor unless the electrical system, muffler, air filter and carburetor are covered to keep water out. Water in engine can result in a shortened engine life.

SERVICE AND ADJUSTMENTS

CAUTION: BEFORE PERFORMING ANY SERVICE OR ADJUSTMENTS:



- Depress clutch/brake pedal fully and set parking brake.
- Place gearshift lever in "NEUTRAL" position.
- Place attachment clutch in "DISENGAGED" position.
- Turn ignition key "OFF" and remove key.
- Make sure the blades and all moving parts have completely stopped.
- Disconnect spark plug wire from spark plug and place wire where it cannot come in contact with plug.

TO ADJUST ATTACHMENT CLUTCH (See Fig. 18)

The electric clutch should provide years of service. The clutch has a built-in brake that stops the pulley within 5 seconds. Eventually, the internal brake will wear so the mower blades will not stop as recommended. Adjustments should be made by an authorized service technician.

- Make sure attachment clutch and ignition switches are in the "OFF" position.
- Adjust the three nylon locknuts until the space between clutch plate and rotor measures .012 inches at all three slot locations cut inside of brake plate.

NOTE: After installing a new electric clutch, run tractor at full throttle, and engage and disengage electric clutch 10 cycles to wear in clutch plate.

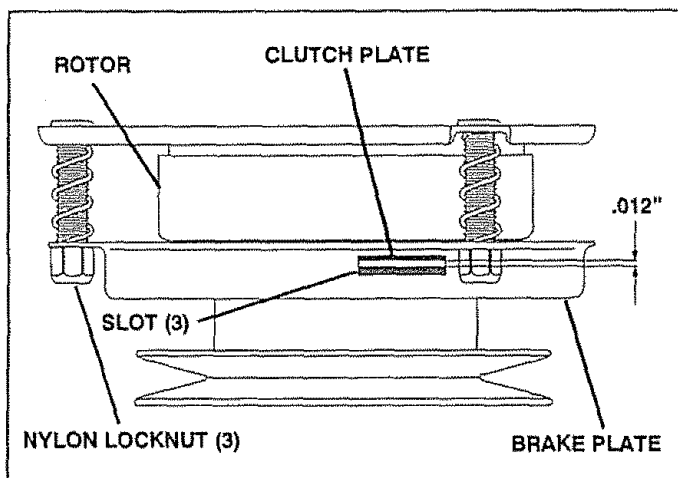


FIG. 18

TO ADJUST BRAKE (See Figs. 19 and 20)

Your tractor is equipped with an adjustable brake system which is mounted on the left side of the transaxle.

If tractor requires more than six (6) feet stopping distance at high speed in highest gear, then brake must be adjusted.

- Remove four (4) hex washer head tapping screws from shift cover plate located on top of tractor frame. Remove the cover plate.
- Loosen jam nut (A) on brake rod (B) at clevis (C) (Fig. 21). If you find it difficult to loosen jam nut (A), remove cover plate in L.H. frame rail.
- Rotate brake rod (B) counterclockwise, turning brake rod out of clevis (C) four (4) to six (6) turns.
- Start tractor with transaxle in "N" (NEUTRAL) position.
- Depress clutch/brake pedal to the point where the belt stops moving. Hold clutch/brake pedal in position by engaging parking brake. If belt begins to move after engaging parking brake, depress clutch/brake pedal to next notch on parking brake.
- Shut engine off. Rotate brake rod (B) clockwise by hand, turning brake rod into clevis (C) until tight. Tighten jam nut (A) on brake rod (B) at clevis (C).
- Reinstall shift cover plate and four (4) mounting screws. If cover plate in L.H. rail was removed it should be replaced.

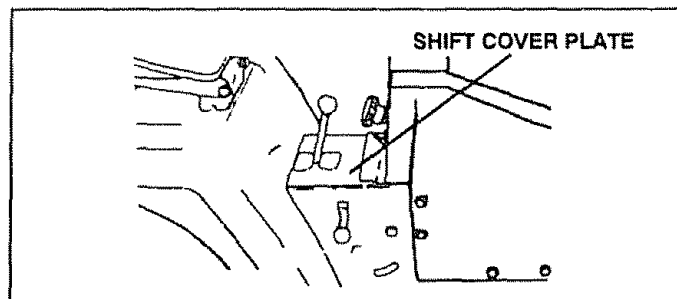


FIG. 19

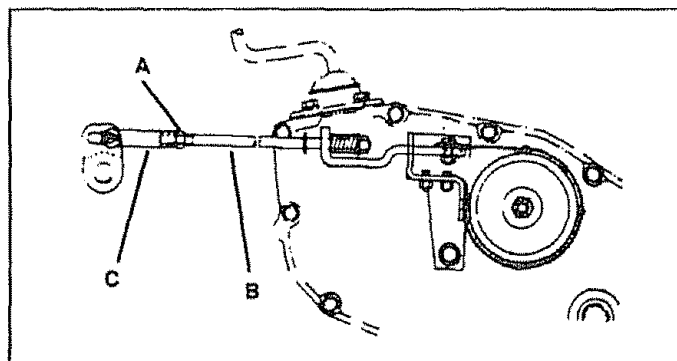


FIG. 20

SERVICE AND ADJUSTMENTS

TO REPLACE MOTION DRIVE BELT (See Figs. 21 and 22)

Park the tractor on level surface. Engage parking brake. For ease of service there is a belt installation guide decal on bottom side of left footrest. It is not necessary to remove mower.

BELT REMOVAL -

- Raise hood and disconnect negative ground battery cable.
- Set parking brake (to get belt slack).
- Loosen (do not remove) two (2) engine pulley belt guide bolts and swivel R.H. side of belt guide up. Tighten L.H. bolt to hold belt guide in position.
- Roll belt off engine pulley.
- Roll belt off "V" idler, flat idler and clutching idler pulleys.
- Roll belt off clutch pulley-between pulley and frame. Pull belt off transaxle pulley.

BELT INSTALLATION -

- Push belt down from engine pulley area. Place back (flat) side of belt on flat idler (flat idler is next to frame).
- Place belt on clutching idler and over clutch pulley. "V" (narrow) part of belt should engage clutch pulley.
- Place belt around transaxle pulley. "V" part of belt should engage transaxle pulley.
- Make sure "V" part of belt engages "V" idler.
- Roll belt over engine pulley.
- Loosen L.H. engine pulley belt guide bolt and swivel belt guide on to R.H. bolt. Tighten L.H. and R.H. bolts securely.
- Release parking brake.

IMPORTANT: CHECK BRAKE ADJUSTMENT.

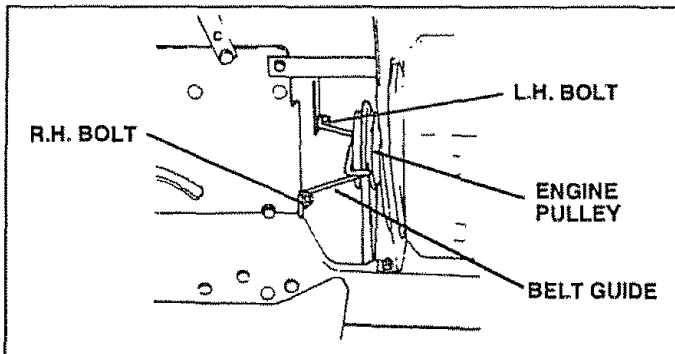


FIG. 21

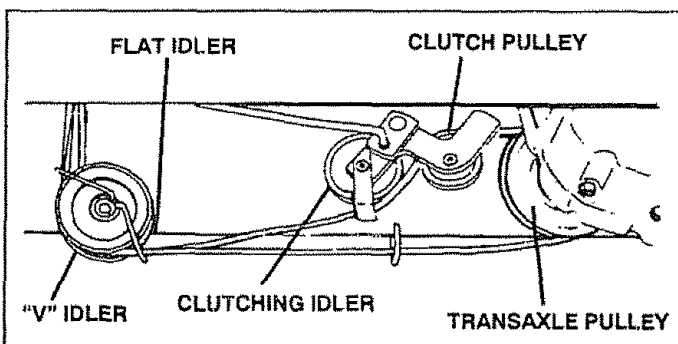


FIG. 22

TO ADJUST STEERING WHEEL ALIGNMENT

If steering wheel crossbars are not horizontal (left to right) when wheels are positioned straight forward, remove steering wheel and reassemble per instructions in the Assembly section of this manual.

FRONT WHEEL TOE-IN ADJUSTMENT

Front wheel toe-in is required for proper steering operation. Toe-in was set at the factory and adjustment should not be necessary. If parts in the front axle or steering mechanism have been replaced or damaged, check toe-in and adjust if necessary.

TO CHECK TOE-IN (See Fig. 23) -

- Position front wheels straight ahead.
- Measure distance between wheels at front and rear of tires (dimensions "A" and "B").
- Front dimension "A" should be 1/8" to 1/4" less than rear dimension "B".

TO ADJUST TOE-IN (See Figs. 23 and 24) -

It is important that both tie rods be equal in length before adjusting toe-in. Both tie rods should measure approximately 10-1/4" in length (see inset). Adjust if necessary.

- Loosen jam nuts at adjustment sleeves on tie rods.
- Adjust both tie rods equally until dimension "A" is 1/8" to 1/4" less than dimension "B".
- Tighten jam nuts securely.

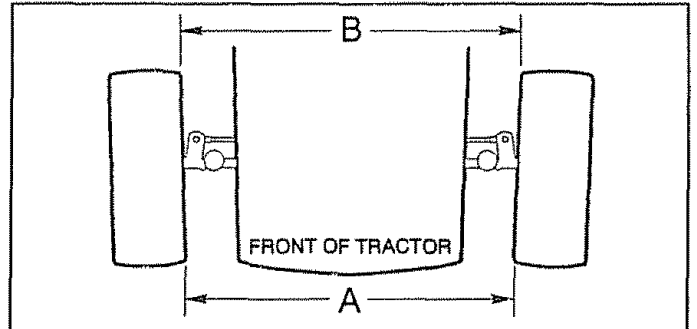


FIG. 23

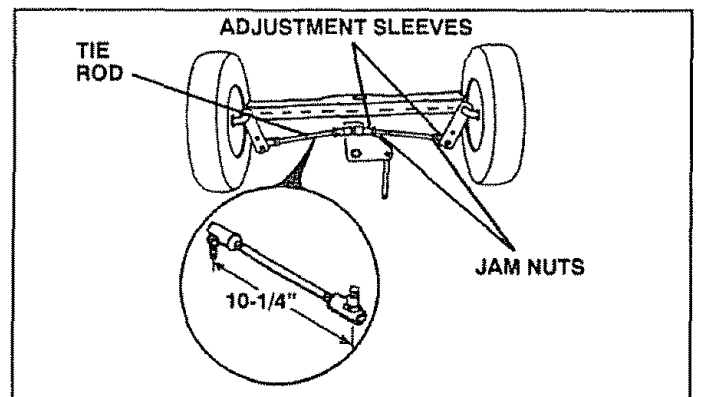


FIG. 24

FRONT WHEEL CAMBER

The front wheel camber is not adjustable on your tractor. If damage has occurred to affect the front wheel camber, contact your nearest authorized service center.

SERVICE AND ADJUSTMENTS

TO REMOVE WHEEL FOR REPAIRS

FRONT WHEEL (See Fig. 25) -

- Block up axle securely.
- Remove axle cover, retaining ring and washers to allow wheel removal.
- Repair tire and reassemble.
- Replace washers and snap retaining ring securely in axle groove.
- Replace axle cover.

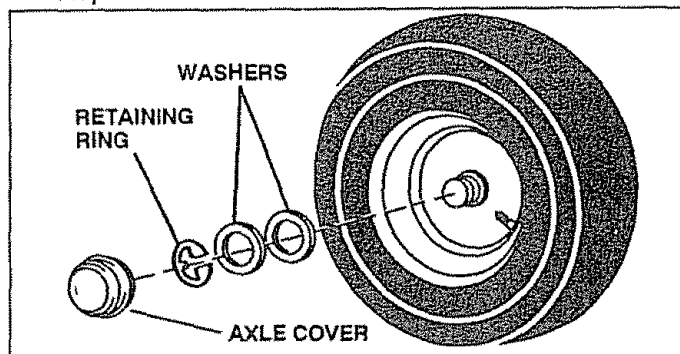


FIG. 25

REAR WHEEL-

- Block rear axle securely.
- Remove five (5) hub bolts to allow wheel removal.
- Repair tire and reassemble. Replace and tighten hub bolts and axle cover securely.

TO START ENGINE WITH A WEAK BATTERY (See Figs. 26 and 27)



CAUTION: Lead-acid batteries generate explosive gases. Keep sparks, flame and smoking materials away from batteries. Always wear eye protection when around batteries.

If your battery is too weak to start the engine, it should be recharged. If "jumper cables" are used for emergency starting, follow this procedure:

IMPORTANT: YOUR TRACTOR IS EQUIPPED WITH A 12 VOLT NEGATIVE GROUNDED SYSTEM. THE OTHER VEHICLE MUST ALSO BE A 12 VOLT NEGATIVE GROUNDED SYSTEM. DO NOT USE YOUR TRACTOR BATTERY TO START OTHER VEHICLES.

TO ATTACH JUMPER CABLES -

- Connect each end of the RED cable to the POSITIVE (+) terminal of each battery, taking care not to short against chassis.
- Connect one end of the BLACK cable to the NEGATIVE (-) terminal of fully charged battery.
- Connect the other end of the BLACK cable to a bolt on the L.H. side of chassis, away from fuel tank and battery.

TO REMOVE CABLES, REVERSE ORDER

- BLACK cable first from left side of chassis and fully charged battery.
- RED cable last from both batteries.

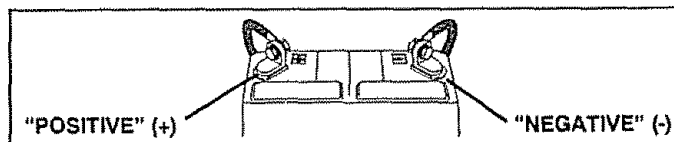


FIG. 26

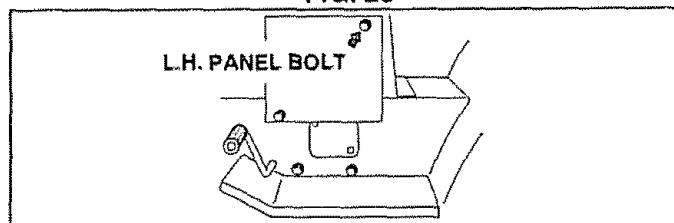


FIG. 27

TO REPLACE FUSE

Replace with 30 amp automotive-type plug-in fuse. The fuse holder is located behind the dash.

TO REPLACE HEADLIGHT BULB

- Raise hood.
- Pull bulb holder out of the hole in the backside of the grill.
- Replace bulb in holder and push bulb holder securely back into the hole in the backside of the grill.
- Close hood.

INTERLOCKS AND RELAYS

Loose or damaged wiring may cause your tractor to run poorly, stop running or prevent it from starting.

- Check wiring. See the electrical wiring diagram in the Repair Parts section of this manual.

TO ADJUST ATTACHMENT LIFT SPRING (See Fig. 28)

- While holding spring bushing with wrench, loosen jam nut.
- Turn adjustment bolt clockwise to extend spring and reduce lift effort (for heavier attachments).
- Turn adjustment bolt counterclockwise (for lighter attachments).
- Retighten jam nut against spring bushing.

IMPORTANT: DO NOT ADJUST FOR MAXIMUM SPRING TENSION WHEN USING LIGHT ATTACHMENTS SUCH AS A MOWER. ADJUST LIFT LEVER SPRING TO AID IN LIFTING ATTACHMENT. DO NOT OVERPOWER SPRING. WHEN REMOVING ATTACHMENT, ALWAYS ADJUST SPRING TENSION TO ITS LOWEST POSITION.

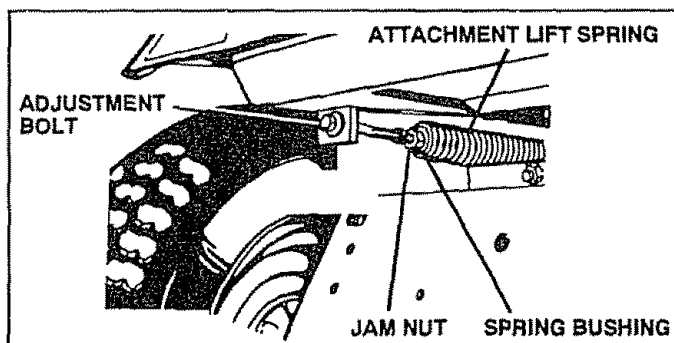


FIG. 28

SERVICE AND ADJUSTMENTS

TO REMOVE HOOD AND GRILL ASSEMBLY (See Figs. 29 and 30)

- Lift hood. Disconnect headlight wire connection.
- Unscrew one screw at rear of each side panel.
- Pivot hood and side panel forward and lift off tractor.
- To replace, reverse above procedure.

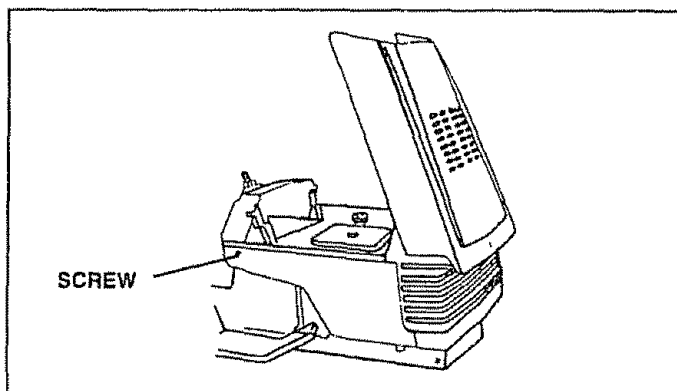


FIG. 29

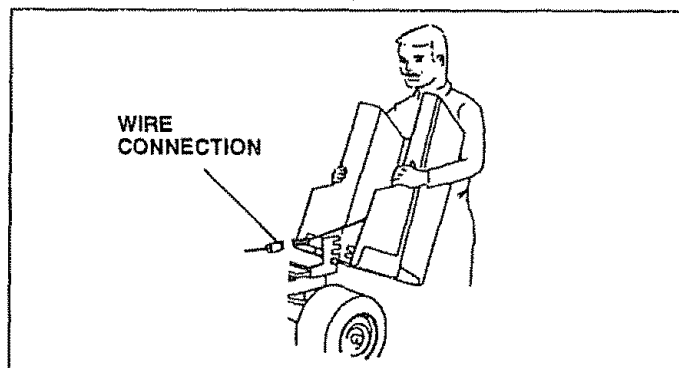


FIG. 30

ENGINE CARBURETOR

Your carburetor has a fixed main jet. The idle mixture was set for maximum efficiency at the factory and should normally not be disturbed. If adjustments seem necessary, first be sure the ignition system is working properly and the governor sensitivity is properly adjusted.

The carburetor has a limited adjustment range between stops $\pm 1/8$ turn. The screw should only be adjusted within these limits; in to lean the mixture, out to richen.

When replacing idle mixture screw, turn in until lightly seated, then turn screw back out 1-1/4 turns. Replace limiter cap with the plastic stop approximately centered.

THROTTLE CONTROL CABLE AND CARBURETOR ADJUSTMENTS (See Figs. 31 and 32)

Never attempt to change maximum engine speed. This is present at the factory and should only be changed by a qualified service technician who has the necessary equipment.

- Start the engine and allow it to warm up thoroughly (at least 10 minutes).
- Loosen clamp screw so throttle cable is free to move.
- Hold throttle arm against stop screw and adjust throttle stop screw to obtain 1000-1100 RPM.
- Adjust the low speed adjustment screw for 1400 RPM idle.
- Tighten clamp screw to secure throttle cable.

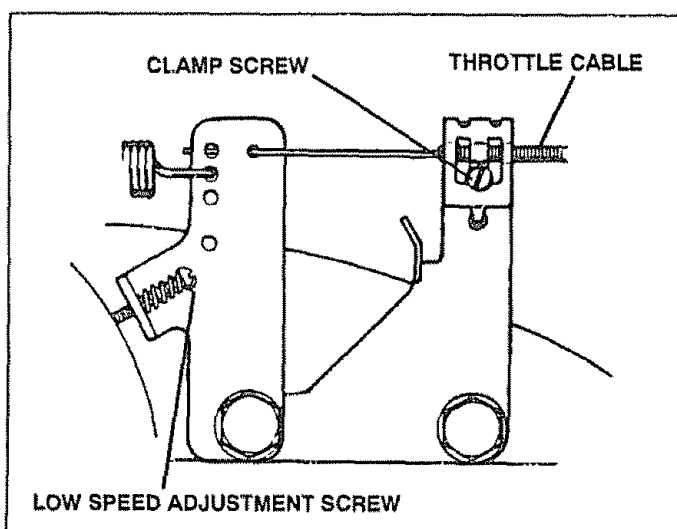


FIG. 31

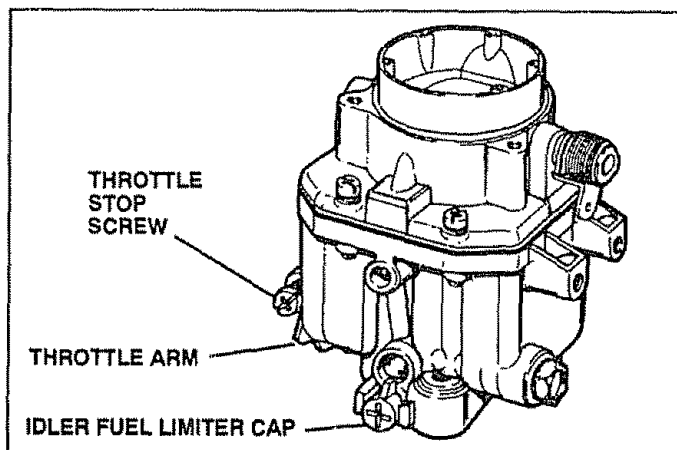


FIG. 32

STORAGE

Immediately prepare your tractor for storage at the end of the season or if the tractor will not be used for 30 days or more.



CAUTION: Never store the tractor with gasoline in the tank inside a building where fumes may reach an open flame or spark. Allow the engine to cool before storing in any enclosure.

TRACTOR

Remove mower from tractor for winter storage. When mower is to be stored for a period of time, clean it thoroughly, remove all dirt, grease, leaves, etc. Store in a clean, dry area.

- Clean entire tractor (See "CLEANING" in the Customer Responsibilities section of this manual).
- Inspect and replace belts, if necessary (See belt replacement instructions in the Service and Adjustments section of this manual).
- Lubricate as shown in the Customer Responsibilities section of this manual.
- Be sure that all nuts, bolts and screws are securely fastened. Inspect moving parts for damage, breakage and wear. Replace if necessary.
- Touch up all rusted or chipped paint surfaces; sand lightly before painting.

BATTERY

- Fully charge the battery for storage.
- After a period of time in storage, battery may require recharging.
- To help prevent corrosion and power leakage during long periods of storage, battery cables should be disconnected and battery cleaned thoroughly (see "TO CLEAN BATTERY AND TERMINALS" in the Customer Responsibilities section of this manual).
- After cleaning, leave cables disconnected and place cables where they cannot come in contact with battery terminals.
- Be sure battery drain tube is securely attached.

ENGINE

FUEL SYSTEM

IMPORTANT: IT IS IMPORTANT TO PREVENT GUM DEPOSITS FROM FORMING IN ESSENTIAL FUEL SYSTEM PARTS SUCH AS CARBURETOR, FUEL FILTER, FUEL HOSE, OR TANK DURING STORAGE. ALSO, EXPERIENCE INDICATES THAT ALCOHOL BLENDED FUELS (CALLED GASOHOL OR USING ETHANOL OR METHANOL) CAN ATTRACT MOISTURE WHICH LEADS TO SEPARATION AND FORMATION OF ACIDS DURING STORAGE. ACIDIC GAS CAN DAMAGE THE FUEL SYSTEM OF AN ENGINE WHILE IN STORAGE.

- Drain the fuel tank.
- Start the engine and let it run until the fuel lines and carburetor are empty.
- Never use engine or carburetor cleaner products in the fuel tank or permanent damage may occur.
- Use fresh fuel next season.

NOTE: Fuel stabilizer is an acceptable alternative in minimizing the formation of fuel gum deposits during storage. Add stabilizer to gasoline in fuel tank or storage container. Always follow the mix ratio found on stabilizer container. Run engine at least 10 minutes after adding stabilizer to allow the stabilizer to reach the carburetor. Do not drain the gas tank and carburetor if using fuel stabilizer.

ENGINE OIL

Drain oil (with engine warm) and replace with clean engine oil. (See "ENGINE" in the Customer Responsibilities section of this manual).

CYLINDERS

- Remove spark plug(s).
- Pour one ounce of oil through spark plug hole(s) into cylinder(s).
- Turn ignition key to "START" position for a few seconds to distribute oil.
- Replace with new spark plug(s).

OTHER

- Do not store gasoline from one season to another.
- Replace your gasoline can if your can starts to rust. Rust and/or dirt in your gasoline will cause problems.
- If possible, store your tractor indoors and cover it to give protection from dust and dirt.
- Cover your tractor with a suitable protective cover that does not retain moisture. Do not use plastic. Plastic cannot breathe which allows condensation to form and will cause your tractor to rust.

IMPORTANT: NEVER COVER TRACTOR WHILE ENGINE AND EXHAUST ARE STILL WARM.

TROUBLESHOOTING POINTS

PROBLEM	CAUSE	CORRECTION
Will not start	<ol style="list-style-type: none"> 1. Out of fuel. 2. Engine not "CHOKED" properly 3. Engine flooded. 4. Bad spark plug 5. Dirty air filter. 6. Dirty fuel filter. 7. Water in fuel. 8. Loose or damaged wiring. 9. Carburetor out of adjustment. 10. Engine valves out of adjustment. 	<ol style="list-style-type: none"> 1. Fill fuel tank. 2. See "TO START ENGINE" in Operation section. 3. Wait several minutes before attempting to start. 4. Replace spark plug. 5. Clean/replace air filter. 6. Replace fuel filter. 7. Drain fuel tank and carburetor, refill tank with fresh gasoline and replace fuel filter. 8. Check all wiring. 9. Contact Sears Service Center/Department. 10. Contact Sears Service Center/Department.
Hard to start	<ol style="list-style-type: none"> 1. Dirty air filter. 2. Bad spark plug. 3. Weak or dead battery. 4. Dirty fuel filter. 5. Stale or dirty fuel. 6. Loose or damaged wiring. 7. Carburetor out of adjustment. 8. Engine valves out of adjustment. 	<ol style="list-style-type: none"> 1. Clean/replace air filter. 2. Replace spark plug. 3. Recharge or replace battery. 4. Replace fuel filter. 5. Drain fuel tank and refill with fresh gasoline. 6. Check all wiring. 7. Contact Sears Service Center/Department. 8. Contact Sears Service Center/Department.
Engine will not turn over	<ol style="list-style-type: none"> 1. Clutch/brake pedal not depressed. 2. Attachment clutch is engaged. 3. Weak or dead battery. 4. Blown fuse 5. Corroded battery terminals. 6. Loose or damaged wiring. 7. Faulty ignition switch. 8. Faulty solenoid or starter. 9. Faulty operator presence switch(es). 	<ol style="list-style-type: none"> 1. Depress clutch/brake pedal. 2. Disengage attachment clutch. 3. Recharge or replace battery. 4. Replace fuse. 5. Clean battery terminals. 6. Check all wiring. 7. Check/replace ignition switch. 8. Check/replace solenoid or starter. 9. Contact Sears Service Center/Department.
Engine clicks but will not start	<ol style="list-style-type: none"> 1. Weak or dead battery. 2. Corroded battery terminals. 3. Loose or damaged wiring. 4. Faulty solenoid or starter. 	<ol style="list-style-type: none"> 1. Recharge or replace battery. 2. Clean battery terminals. 3. Check all wiring. 4. Check/replace solenoid or starter.
Loss of power	<ol style="list-style-type: none"> 1. Cutting too much grass/too fast. 2. Throttle in "CHOKE" position. 3. Build-up of grass, leaves and trash under mower. 4. Dirty air filter. 5. Low oil level/dirty oil. 6. Faulty spark plug. 7. Dirty fuel filter. 8. Stale or dirty fuel. 9. Water in fuel. 10. Spark plug wire loose. 11. Dirty engine air screen/fins. 12. Dirty/clogged muffler. 13. Loose or damaged wiring. 14. Carburetor out of adjustment. 15. Engine valves out of adjustment. 	<ol style="list-style-type: none"> 1. Set in "Higher Cut" position/reduce speed. 2. Adjust throttle control. 3. Clean underside of mower housing. 4. Clean/replace air filter. 5. Check oil level/change oil. 6. Clean and regap or change spark plug. 7. Replace fuel filter. 8. Drain fuel tank and refill with fresh gasoline. 9. Drain fuel tank and carburetor, refill tank with fresh gasoline and replace fuel filter. 10. Connect and tighten spark plug wire. 11. Clean engine air screen/fins. 12. Clean/replace muffler. 13. Check all wiring. 14. Contact Sears Service Center/Department. 15. Contact Sears Service Center/Department.
Excessive vibration	<ol style="list-style-type: none"> 1. Worn, bent or loose blade. 2. Bent blade mandrel. 3. Loose/damaged part(s). 	<ol style="list-style-type: none"> 1. Replace blade. Tighten blade bolt. 2. Replace blade mandrel. 3. Tighten loose part(s). Replace damaged parts.

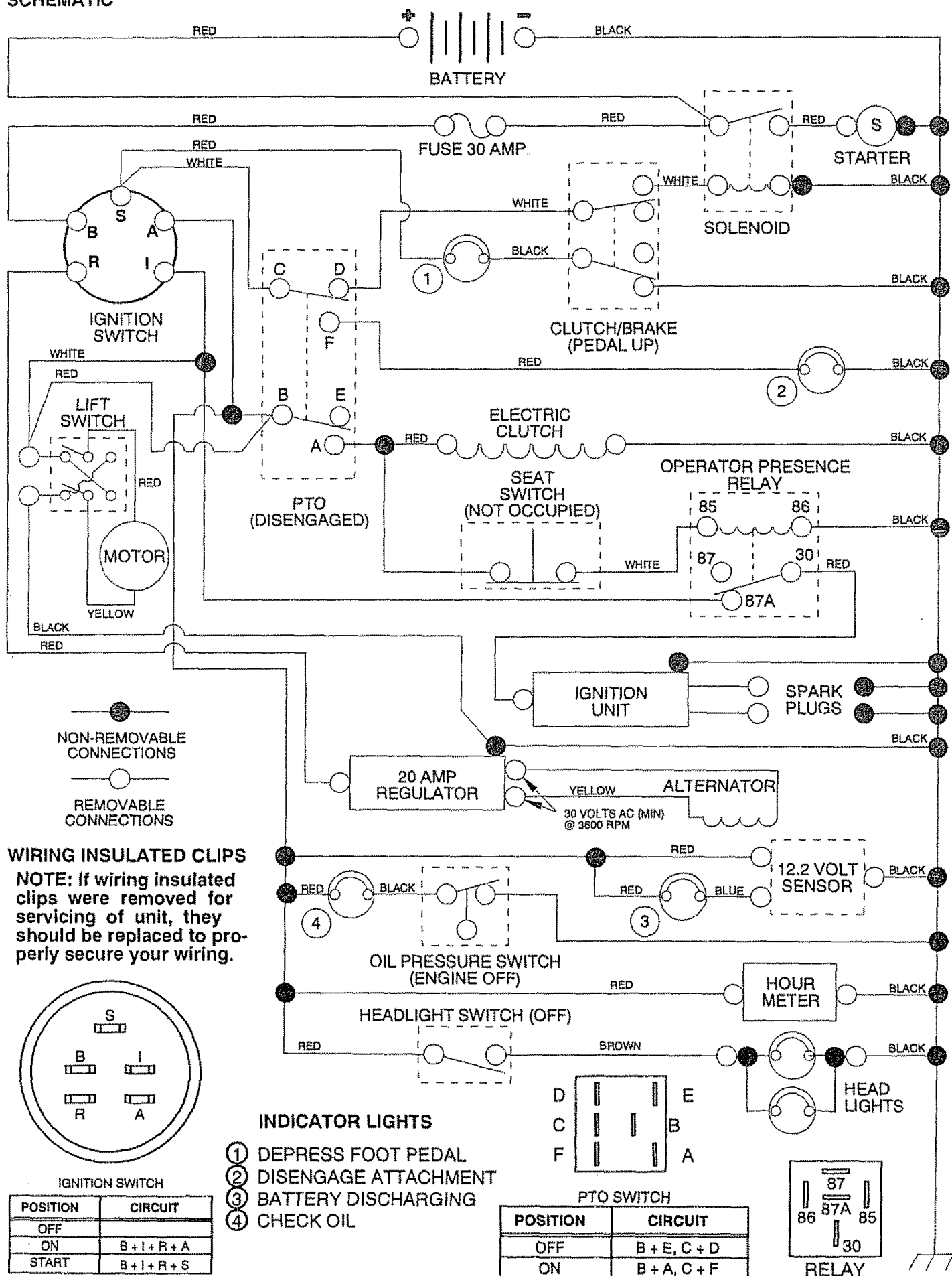
TROUBLESHOOTING POINTS

PROBLEM	CAUSE	CORRECTION
Engine continues to run when operator leaves seat with attachment clutch engaged	<ol style="list-style-type: none"> 1. Faulty operator-safety presence control system. 	<ol style="list-style-type: none"> 1. Check wiring, switches and connections. If not corrected, contact Sears Service Center/Department.
Poor cut - uneven	<ol style="list-style-type: none"> 1. Worn, bent or loose blade. 2. Mower deck not level. 3. Buildup of grass, leaves, and trash under mower. 4. Bent blade mandrel. 	<ol style="list-style-type: none"> 1. Replace blade. Tighten blade bolt. 2. Level mower deck. 3. Clean underside of mower housing. 4. Replace blade mandrel.
Mower blades will not rotate	<ol style="list-style-type: none"> 1. Obstruction in clutch mechanism. 2. Mower drive belt out of adjustment. 3. Worn/damaged mower drive belt. 4. Frozen idler pulley. 5. Frozen blade mandrel. 	<ol style="list-style-type: none"> 1. Remove obstruction. 2. Adjust mower drive belt. 3. Replace mower drive belt. 4. Replace idler pulley. 5. Replace blade mandrel.
Poor grass discharge	<ol style="list-style-type: none"> 1. Engine speed too slow. 2. Travel speed too fast 3. Wet grass. 4. Mower deck not level. 5. Low/uneven tire air pressure. 6. Worn, bent or loose blade. 7. Buildup of grass, leaves and trash under mower. 8. Mower drive belt worn or out of adjustment. 9. Blades improperly installed. 10. Improper blades used. 	<ol style="list-style-type: none"> 1. Place throttle control in "FAST" position. 2. Shift to slower speed. 3. Allow grass to dry before mowing. 4. Level mower deck. 5. Check tires for proper air pressure. 6. Replace/sharpen blade. Tighten blade bolt. 7. Clean underside of mower housing. 8. Replace/adjust mower drive belt. 9. Reinstall blades sharp edge down. 10. Replace with blades listed in this manual.
Headlight(s) not working (if so equipped)	<ol style="list-style-type: none"> 1. Switch is "OFF". 2. Bulb(s) burned out. 3. Faulty light switch. 4. Loose or damaged wiring. 5. Blown fuse. 	<ol style="list-style-type: none"> 1. Turn switch "ON". 2. Replace bulb(s). 3. Check/replace light switch. 4. Check wiring and connections. 5. Replace fuse.
Battery will not charge	<ol style="list-style-type: none"> 1. Bad battery cell(s). 2. Poor cable connections. 3. Faulty regulator (if so equipped). 4. Faulty alternator. 	<ol style="list-style-type: none"> 1. Replace battery. 2. Check/clean all connections. 3. Replace regulator. 4. Replace alternator.

SERVICE NOTES

20 HP TRACTOR - MODEL NUMBER 917.250032

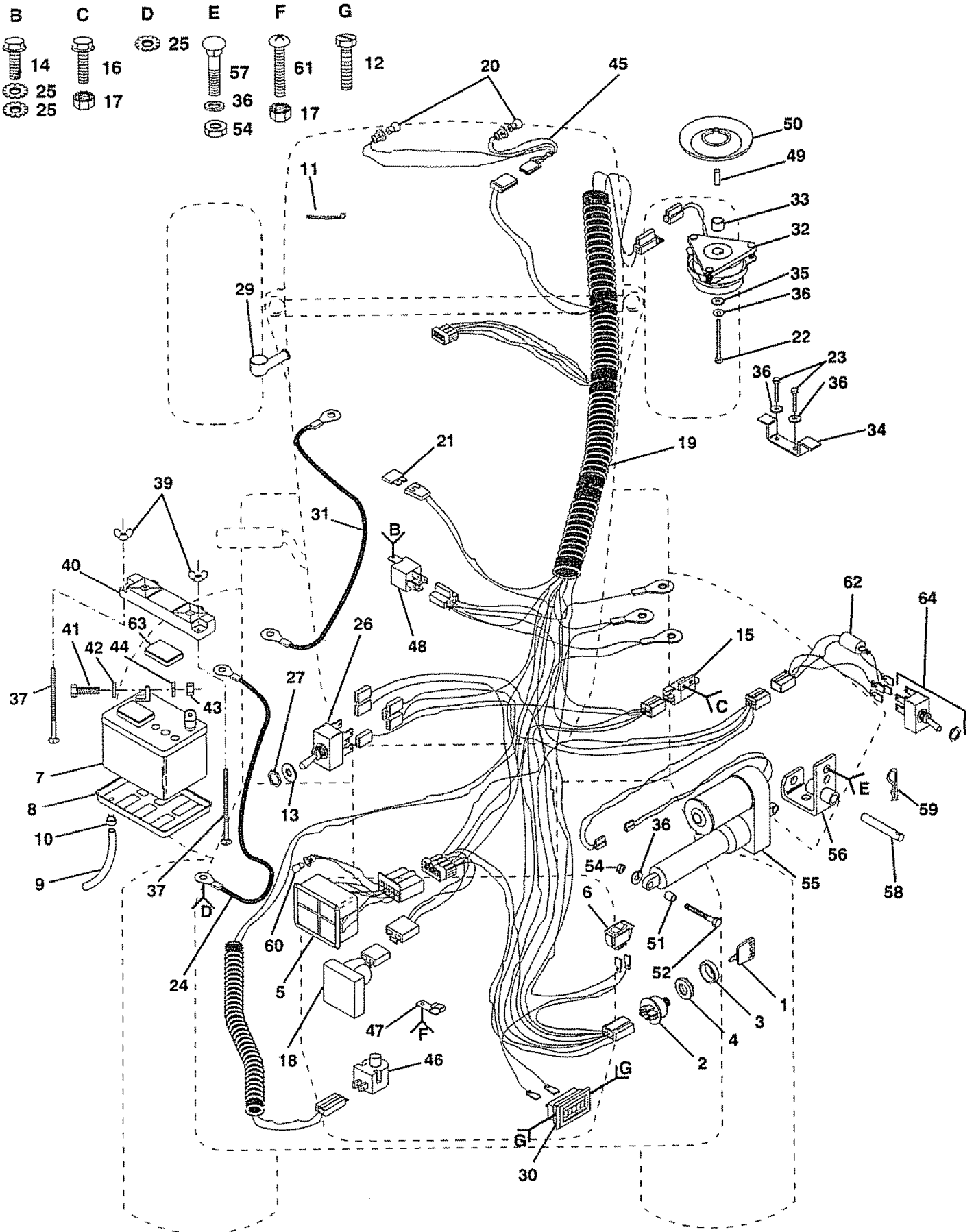
SCHEMATIC



REPAIR PARTS

20 HP TRACTOR -- MODEL NUMBER 917.250032

ELECTRICAL



REPAIR PARTS

20 HP TRACTOR - - MODEL NUMBER 917.250032

ELECTRICAL

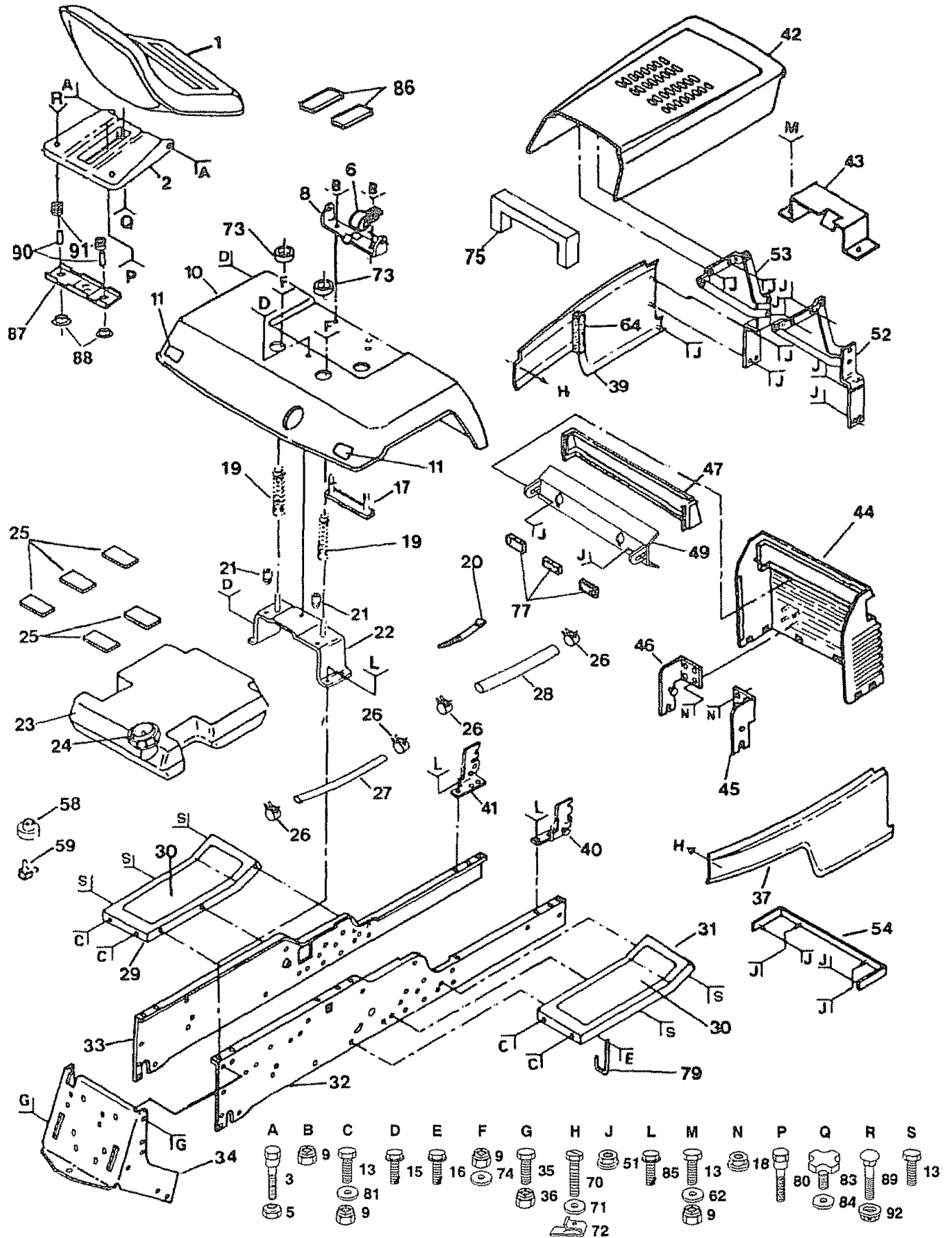
KEY PART NO.	NO.	DESCRIPTION	KEY PART NO.	NO.	DESCRIPTION
1	109310X	Key	33	110944X	Spacer, Clutch
2	2683R	Switch, Ignition	34	110881X	Stop, Clutch
3	123620X	Cover, Key Switch	35	19132203	Washer
4	124211X	Nut, Ignition	36	STD551137	Washer, Lock 3/8
5	109555X	Light Package Assembly	37	72240460	Bolt, Carriage 1/4-20 x 7-1/2
6	110712X	Switch, Light	39	123198X	Nut, Wing 1/4-20
7	121537X	Battery	40	102476X	Guard, Terminal
8	7603J	Tray, Battery	41	STD522507	Bolt, Hex 1/4-20 x 3/4
9	100541K	Tube, Drain	42	STD551025	Washer 9/32 x 5/8 x 16 Gauge
10	109596X	Clamp-Hose	43	STD541025	Nut, Hex 1/4-20
11	7192J	Tie, Cable	44	STD551125	Washer, Lock 1/4
12	17011008	Screw #10-24 x 1/2	45	110859X	Harness, Light Socket
13	7319R	Washer, Lock, Internal Tooth	46	121305X	Switch, Seat
14	17190408	Screw, Hex Washer Head, Thread Cutting 1/4-20 x 1/2	47	4171R	Clip, Insulated
15	109553X	Switch, Interlock	48	109748X	Relay, Operator Presence
16	STD511105	Screw, Hex Washer #10-32 x 1/2	49	127171X	Key, Electric Clutch
17	73951000	Nut, Keps #10-32	50	120445X	Counterbalance, Engine
18	127385X	Sensor, Low Voltage	51	5950J	Tube
19	124372X	Harness, Ignition	52	STD523722	Bolt, Hex 3/8-16 x 2-1/4 Grade 5
20	4152J	Bulb, Headlight	54	STD541037	Nut, Hex 3/8-16
21	108824X	Fuse, 30 Amp	55	124371X	Actuator, Electric (See Breakdown)
22	71130648	Bolt, Hex 3/8-24 x 3	56	677A886	Bracket
23	STD523707	Bolt, Hex 3/8-16 x 3/4	57	STD533710	Bolt, Carriage 3/8-16 x 1 Grade 5
24	120606X	Cable, Ground	58	7085J	Pin, Actuator
25	STD551237	Washer, Lock, External Tooth 3/8	59	4940M	Spring, Retainer
26	109626X	Switch, P.T.O.	60	110143X	Bulb, Light
27	4022J	Nut, Hex	61	74641008	Screw, Pan Head #10-32 x 1/2
29	131563	Cover, Terminal	62	126290X	Wiring, Lift Switch
30	110940X	Meter, Hour	63	121264X	Caps, Battery
31	126453X	Cable, Starter	64	8984R	Switch, Lift
32	127170X	Clutch, Electric			

NOTE: All component dimensions given in U.S. inches
1 inch = 25.4 mm

REPAIR PARTS

20 HP TRACTOR - - MODEL NUMBER 917.250032

CHASSIS AND ENCLOSURES



REPAIR PARTS

20 HP TRACTOR - - MODEL NUMBER 917.250032

CHASSIS AND ENCLOSURES

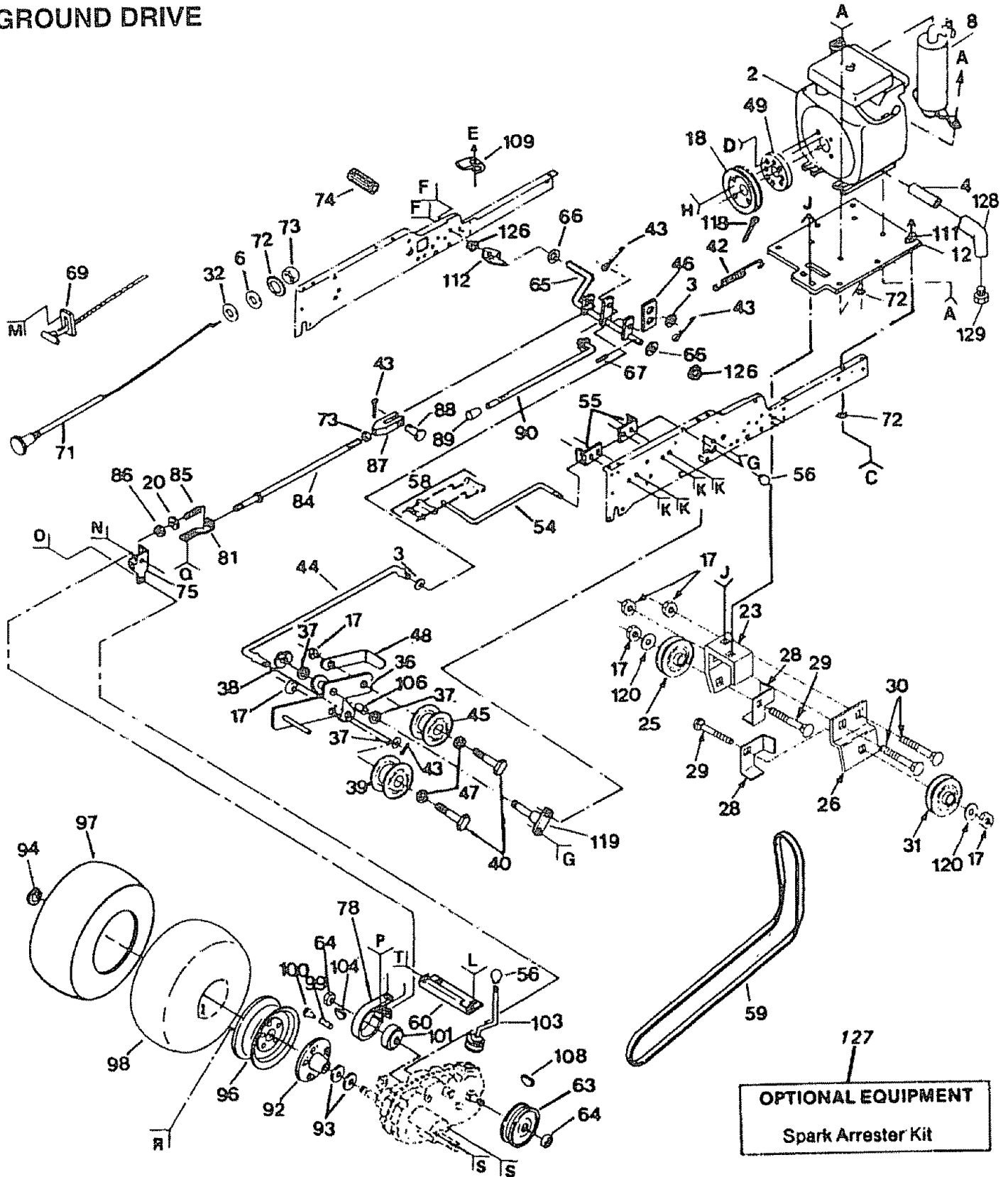
KEY PART NO. NO.	DESCRIPTION	KEY PART NO. NO.	DESCRIPTION
1	127439	Seat	
2	124294X	Pan, Seat	
3	105529X	Bolt, Shoulder	
5	STD541431	Locknut 5/16-18	
6	2751R	Clip	
8	126656X	Bracket, Pivot, Seat	
9	STD541437	Nut, Crownlock 3/8-16	
10	121642X459	Fender	
11	106202X	Reflector, Taillight	
13	STD523707	Bolt, Hex 3/8-16 x 3/4	
15	17490608	Screw, Hex Washer Head, Thread Roll. 3/8-16 x 1/2	
16	17490616	Screw, Hex Washer Head, Thread Roll. 3/8-16 x 1	
17	105511X	Strap, Fender	
18	120579X	Nut, Pal	
19	124181X	Spring, Compression	
20	7192J	Tie, Cable	
21	105531X	Nut, Push	
22	105509X	Bracket, Fender	
23	106020X	Tank, Fuel	
24	123549X	Cap, Fuel	
25	106082X	Pad, Spacer	
26	123487X	Clamp, Hose	
27	7834R	Line, Fuel	
28	7833R	Line, Fuel	
29	105465X459	Footrest, LH	
30	105466X	Pad, Footrest	
31	105464X459	Footrest, RH	
32	110892X	Rail, Frame, RH	
33	110893X	Rail, Frame, LH	
34	7982J	Drawbar	
35	74760716	Bolt, Hex 7/16-14 x 1	
36	73680700	Nut, Crownlock 7/16-14	
37	108403X459	Panel, Side, RH	
39	108410X459	Panel, Side, LH	
40	130523	Bracket, Pivot, Frame, RH	
41	121055X	Bracket, Pivot, Frame, LH	
42	106013X459	Hood	
43	110874X	Shield, Heat, Front	
44	120153X	Grill	
45	108512X	Bracket, Pivot, Grill, RH	
46	108513X	Bracket, Pivot, Grill, LH	
47	110898X	Lens	
49	132257	Bezel	
51	108067X	Nut, Pal	
52	106091X	Hinge, RH	
53	106090X	Hinge, LH	
54	110350X459	Strap, Grill	
58	3645J	Bushing	
59	8710J	Stem, Fuel Tank	
62	19131416	Washer 13/32 x 7/8 x 16 Gauge	
64	106088X	Strip, Foam	
70	106909X	Screw, Special	
71	106910X	Washer	
72	108402X	U-Clip	
73	124238X	Cap, Spring	
74	19131614	Washer 13/32 x 1 x 14 Gauge	
75	106086X	Foam Strip	
77	105036X	Foam Strip	
79	105500X	Retainer, Belt, Lower	
80	127018X	Bolt, Shoulder 5/16-18 UNC	
81	19131312	Washer 13/32 x 13/16 x 12 Gauge	
83	120068X	Knob, Seat	
84	19171912	Washer 17/32 x 1-3/16 x 12 Gauge	
85	17490612	Screw, Hex Washer Head, Thread Roll. 3/8-16 x 3/4	
86	121251X	Foam Strip	
87	121246X	Switch, Bracket	
88	121248X	Snap Bushing	
89	72050411	Bolt, Carriage 1/4-20 x 1-1/4	
90	121249X	Spacer, Split	
91	123740X	Spring	
92	123976X	Nut, Hex, Flange 1/4	

NOTE: All component dimensions given in U.S. inches
1 inch = 25.4 mm

REPAIR PARTS

20 HP TRACTOR - - MODEL NUMBER 917.250032

GROUND DRIVE



- | A | C | D | E | F | G | H | J | K | L | M | N | O | P | Q | R | S | T |
|-----|----|----|-----|-----|----|----|-----|-----|----|----|----|----|----|----|----|-----|----|
| 124 | 30 | 52 | 110 | 113 | 50 | 51 | 30 | 122 | 61 | 70 | 77 | 79 | 83 | 83 | 95 | 105 | 61 |
| 19 | 17 | 1 | 102 | 114 | 17 | 17 | 120 | 57 | 62 | 76 | 19 | 11 | 82 | 82 | 62 | 116 | |
| 5 | | | | | | | 17 | | | | | 3 | 80 | | | | |
- 30

REPAIR PARTS

20 HP TRACTOR - - MODEL NUMBER 917.250032

GROUND DRIVE

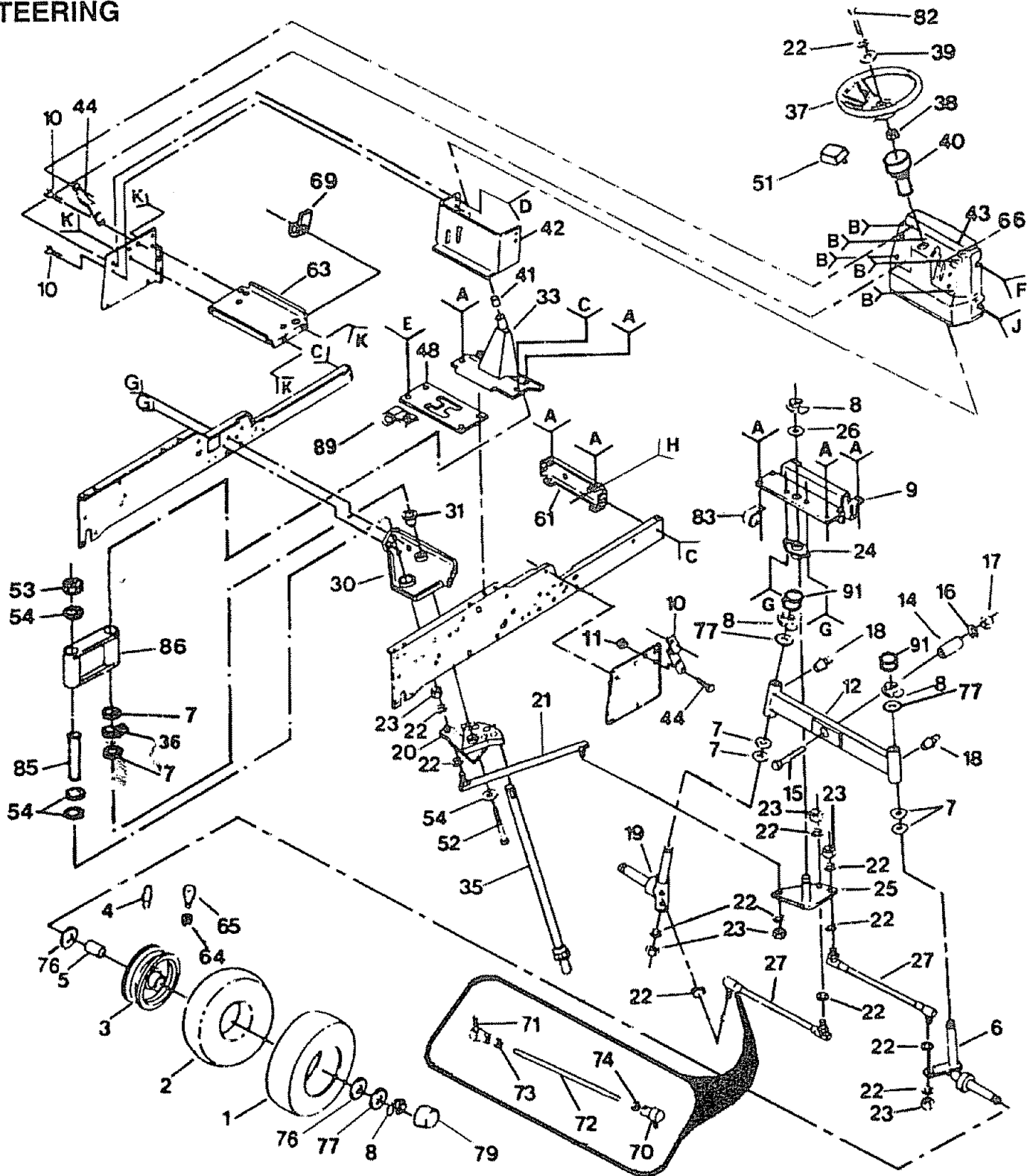
KEY PART NO. NO.	DESCRIPTION	KEY PART NO. NO.	DESCRIPTION
1	STD551131 Washer, Lock	71	121388X Control, Choke
2	131723 Engine, Onan, 20 HP, Model Number 739.11054D	72	STD551237 Washer, Lock, External Tooth 3/8
3	19131316 Washer 13/32 x 13/16 x 16 Gauge	73	STD541137 Nut, Hex 3/8-24 UNF
4	13280336 Pipe, Nipple	74	8883R Cover, Pedal
5	73220600 Nut, Hex 3/8-16	75	677A637 Bracket, Brake
6	7319R Washer, Lock, Internal Tooth	76	74370612 Screw, Machine, Uncut Flat Head 3/8-16 x 3/4
8	110886X Muffler	77	STD523708 Bolt, Hex 3/8-16 x 7/8
11	STD551125 Washer, Lock	78	101122M Band, Brake
12	110866X Base, Engine	79	72140405 Bolt, Carriage 1/4-20 x 5/8
17	STD541437 Nut, Crownlock 3/8-16	80	STD541025 Nut, Hex 1/4-20
18	121355X Pulley, Ground Drive	81	7229J Guide, Rod, Brake
19	STD551137 Washer, Lock 3/8	82	1685H Locknut 5/16-18
20	19131614 Washer 13/32 x 1 x 14 Gauge	83	STD533110 Bolt, Carriage 5/16-18 x 3/4
23	121063X Bracket, V-Pulley, Drive, Mule	84	5308J Rod, Brake
25	101344L Pulley, Idler	85	7241J Spring, Compression
26	122825X Bracket, Idler, Flat	86	STD541537 Nut, Centerlock, Hex 3/8-24
28	122824X Keeper, Belt, Mule Drive, V-Idler	87	100604K Yoke
29	STD533717 Bolt, Carriage 3/8-16 x 1-3/4 Grade 5	88	5102J Pin, Clevis
30	STD523707 Bolt, Carriage 3/8-16 x 3/4	89	124236X Cap, Plunger
31	102403X Idler, Flat	90	136284 Rod, Parking Brake
32	19132616 Washer 13/32 x 1-5/8 x 16 Gauge	92	634A692 Bushing and Wheel Hub
36	121356X Bracket, Clutch	93	7563R Washer, Thrust, Axle
37	207J Washer, Hardened	94	12000034 Klip Ring
38	12000039 Klip Ring	95	1304H Bolt, Hub
39	121361X Idler, Grooved	96	3645R Wheel, Rear
40	STD523715 Bolt, Hex 3/8-16 x 1-3/4	97	105588X Tire, Rear
42	121357X Spring, Extension	98	7154J Tube, Tire
43	STD570907 Pin, Cotter 3/32 x 3/4	99	65139 Valve, Tire
44	101356L Rod, Clutch	100	59192 Cap, Valve
45	104360X Idler, Flat	101	214J Drum, Brake
46	121358X Retainer Spring	102	STD541410 Locknut #10-24
47	19131413 Washer 13/32 x 7/8 x 13 Gauge	103	633A108 Gear Shift Lever Assembly
48	121360X Retainer, Belt	104	2228M Key, Woodruff
49	110943X Adapter	105	74760720 Bolt, Hex 7/16-14 x 1-1/4
50	STD523710 Bolt, Hex 3/8-16 x 1 Grade 5	106	105706X Bearing, Idler
51	17190516 Screw, Hex 5/16-18 x 1	108	9858M1 Key, Woodruff
52	74780516 Bolt, Hex 5/16-18 x 1	109	5304J Actuator, Switch, Interlock
54	122253X Rod, Shift, Hi-Lo	110	74321016 Screw, Hex Fin #10-24 x 1
55	105598X Bracket, Rod, Shift	111	2751R Clip
56	106932X Knob	112	104601X Bracket, Interlock
57	STD541431 Nut, Crownlock 5/16-18	113	STD522507 Bolt, Hex 1/4-20 x 3/4
58	122268X Connecting Link	114	73680400 Nut, Crownlock 1/4-20
59	110883X V-Belt	116	73680700 Nut, Crownlock 7/16-14
60	120404X Bracket, Support, Transaxle	118	76020816 Pin, Cotter 1/4 x 1
61	74760716 Bolt, Hex 7/16-14 x 1	119	101358K Bracket Assembly, Clutch
62	STD551143 Washer, Lock 7/16	120	19131612 Washer 1/32 x 1 x 12 Gauge
63	120332X Pulley, Transaxle	122	STD533107 Bolt, Carriage 5/16-18 x 3/4
64	9204H Locknut 1/2-20	124	STD523715 Bolt, Hex 3/8-16 x 1-1/2
65	104375X Shaft, Foot Pedal	126	110895X Nyliner
66	121749X Washer 25/32 x 1-1/4 x 16 Gauge	127	120615X Spark Arrester Kit
67	STD571812 Pin, Roll 3/16 x 1-1/4	128	13200300 Elbow, Standard
69	124215X Control, Throttle	129	13290300 Pipe, Plug
70	17720408 Screw, Hex, Thread Cutting 1/4-20 x 1/2		

NOTE: All component dimensions given in U.S. inches
1 inch = 25.4 mm

REPAIR PARTS

20 HP TRACTOR -- MODEL NUMBER 917.250032

STEERING



- | | | | | | | | | | |
|----------|----------|----------|----------|----------|----------|----------|----------|----------|----------|
| A | B | C | D | E | F | G | H | J | K |
| 10 | 92 | 34 | 11 | 49 | 32 | 82 | 60 | 46 | 75 |
| 11 | 93 | | | | 45 | 11 | 22 | 47 | 62 |
| | 94 | | | | 22 | | 68 | | |
| | | | | | 60 | | 22 | 45 | |
| | | | | | | | 60 | 22 | |
| | | | | | | | | 60 | |

REPAIR PARTS

20 HP TRACTOR - - MODEL NUMBER 917.250032

STEERING

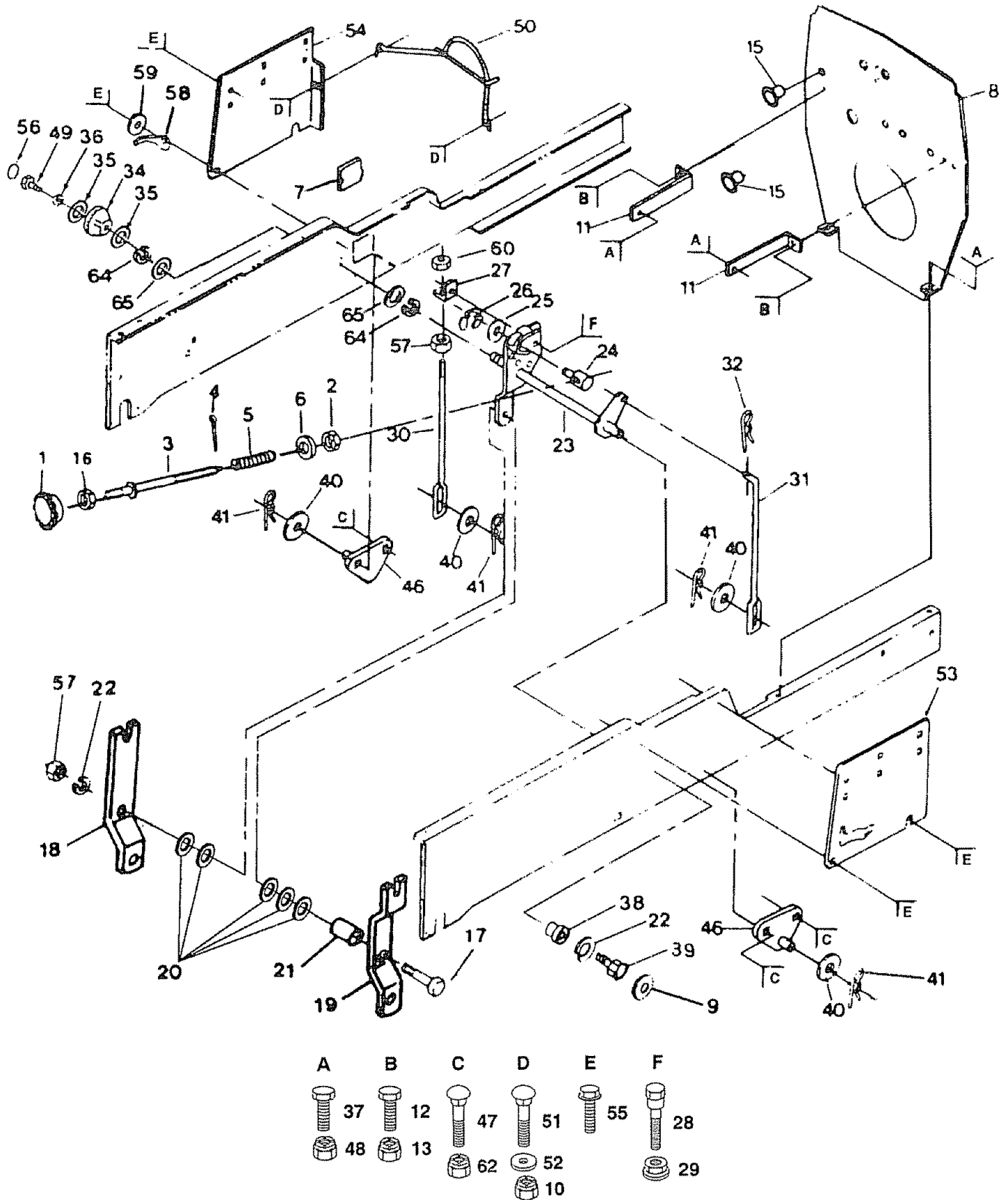
KEY PART NO. NO.	DESCRIPTION	KEY PART NO. NO.	DESCRIPTION
1	106230X	44	105525X
2	8134H	45	19171416
3	122974X	46	STD533727
4	278H	47	121235X
5	9040H	48	106042X012
6	121167X	49	17720408
7	6266H	51	100710L
8	12000029	52	74780880
9	5284J	53	73680800
10	STD523707	54	19172610
11	STD541437	60	STD541037
12	5297J	61	5213J
14	5298J	62	STD541431
15	74781044	63	7985J
16	STD551162	64	65139
17	STD541062	65	59192
18	6855M	66	124213X011
19	121168X	68	106615X
20	120424X	69	2751J
21	110497X	70	109850X
22	STD551137	71	109851X
23	STD541137	72	7919J
24	5292J	73	73700600
25	108137X	74	STD541337
26	19292016	75	STD533107
27	121159X	76	121749X
30	102439X	77	121748X
31	104239X	79	104757X
32	STD533710	82	STD523710
33	101274N	83	100207K
34	17490612	85	120199X
35	102458X	86	121177X
36	12000034	89	4171R
37	121021X	91	121232X
38	100711L	92	74180412
39	19133808	93	19091216
40	121050X	94	STD541425
41	9038R		
42	105519X		
43	120028X		

NOTE: All component dimensions given in U.S. inches
1 inch = 25.4 mm

REPAIR PARTS

20 HP TRACTOR - - MODEL NUMBER 917.250032

STEERING



REPAIR PARTS

20 HP TRACTOR - - MODEL NUMBER 917.250032

STEERING

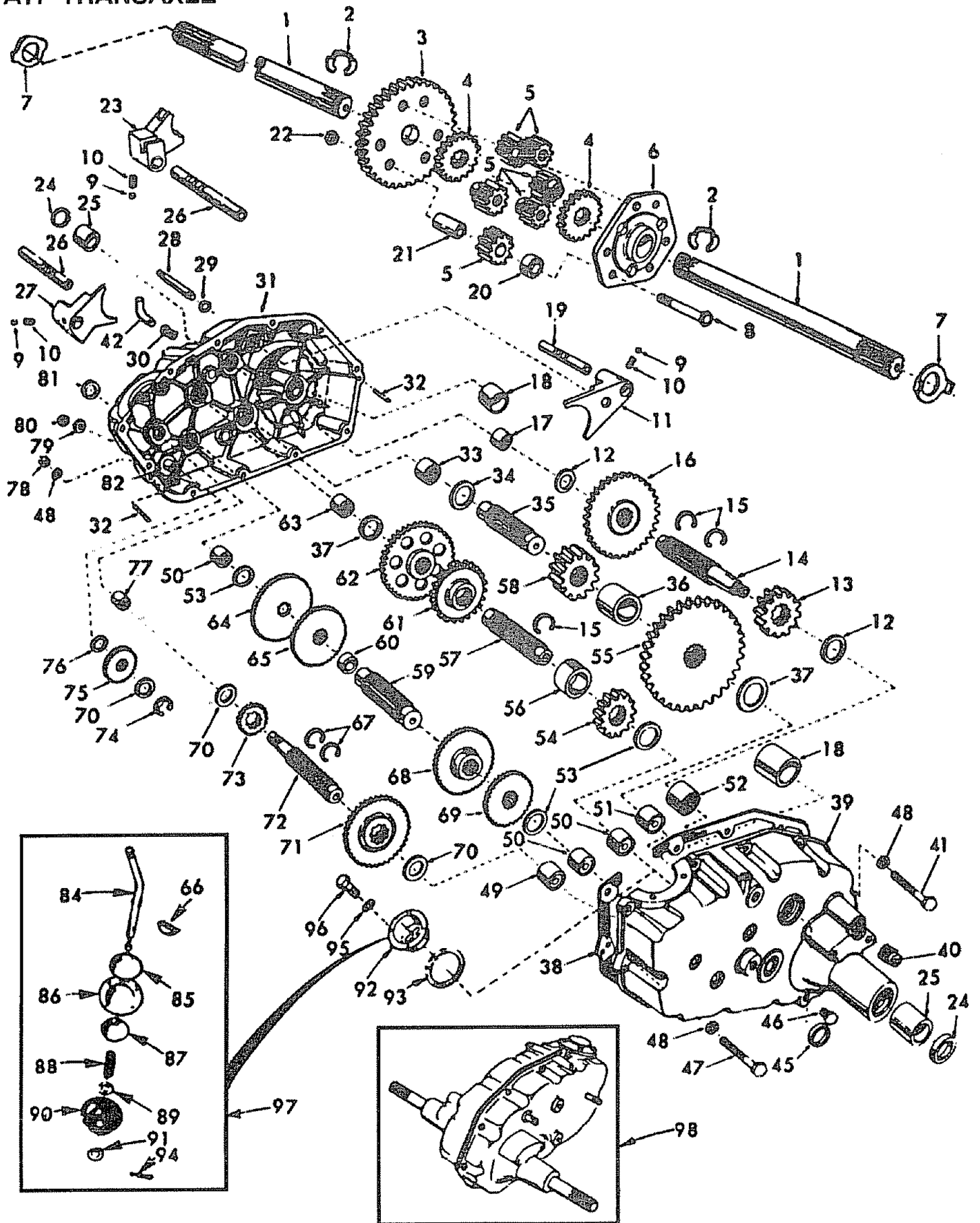
KEY PART NO. NO.	DESCRIPTION	KEY PART NO. NO.	DESCRIPTION		
1	100734K	Handle, Adjust, Lift	32	4939M	Retainer, Spring
2	110807X	Nut, Special	34	123934X	Scale, Height Indicator
3	110811X	Rod, Adjust, Lift	35	19112410	Washer 11/32 x 1-1/2 x 10 Gauge
4	STD570907	Pin, Cotter 3/32 x 1/2	36	STD551131	Washer, Lock
5	2876H	Spring	37	STD523107	Bolt, Hex 5/16-18 x 3/4
6	19131016	Washer 13/32 x 5/8 x 16 Gauge	38	105624X	Hub, Lift Shaft
7	121794X	Cover, Access	39	STD523710	Bolt, Hex 3/8-16 x 1
8	110870X	Shield, Heat, Rear	40	STD551050	Washer 17/32 x 1 x 16 Gauge
9	109412X	Cap, Spring	41	9135R	Retainer Spring
10	STD541431	Nut, Crownlock 5/16-18	46	105501X	Bracket, Suspension, Mower
11	110904X	Brace, Heat Shield	47	STD533707	Bolt, Carriage 3/8-16 x 3/4
12	STD522505	Bolt, Hex 1/4-20 x 1/2 Grade 5	48	STD541431	Nut, Crownlock 3/8-16
13	73680400	Nut, Crownlock 1/4-20	49	74780516	Bolt, Hex 5/16-18 x 1
15	110436X	Grommet, Split	50	126651X	Guard, Belt, Engine
16	STD541237	Nut, Hex, Jam 3/8-16 UNC	51	STD533110	Bolt, Carriage 5/16-18 x 1
17	STD523717	Bolt 3/8-16 x 1-3/4 Grade 5	52	19111610	Washer 11/32 x 1 x 10 Gauge
18	5948J	Bracket, Lift, LH	53	121045X	Panel, Side, RH
19	5947J	Bracket, Lift, RH	54	121046X	Panel, Side, LH
20	19172410	Washer 17/32 x 1-1/2 x 10 Gauge	55	17490608	Bolt, Hex Washer Head, Thread Roll. 3/8-16 x 1/2
21	5949J	Tube .384 x 1-1/2 x 15/16	56	123935X	Plug, Hole
22	STD551137	Washer, Lock 3/8	57	STD541037	Nut, Hex 3/8-16
23	124217X	Shaft, Lift	58	123933X394	Pointer, Height Indicator
24	110810X	Trunnion, Depth Stop	59	120529X	Washer, Nylon .44 x .75 x .032
25	19151216	Washer 15/32 x 3/4 x 16 Gauge	60	STD541437	Locknut, Hex, Washer Insert 3/8-16
26	12000037	Klip Ring	62	STD541437	Nut, Centerlock 3/8-16
27	7594J	Bracket, Lift, LH	64	12000022	E-Ring
28	7901J	Bolt, Shoulder	65	19292016	Washer 29/32 x 1-1/4 x 16 Gauge
29	STD541237	Nut, Hex, Flange 1/4-20			
30	7596J	Link, Lift, LH			
31	105503X	Link, Lift, RH			

NOTE: All component dimensions given in U.S. inches
1 inch = 25.4 mm

REPAIR PARTS

20 HP TRACTOR - - MODEL NUMBER 917.250032

AYP TRANSAXLE



REPAIR PARTS

20 HP TRACTOR - - MODEL NUMBER 917.250032

AYP TRANSAXLE

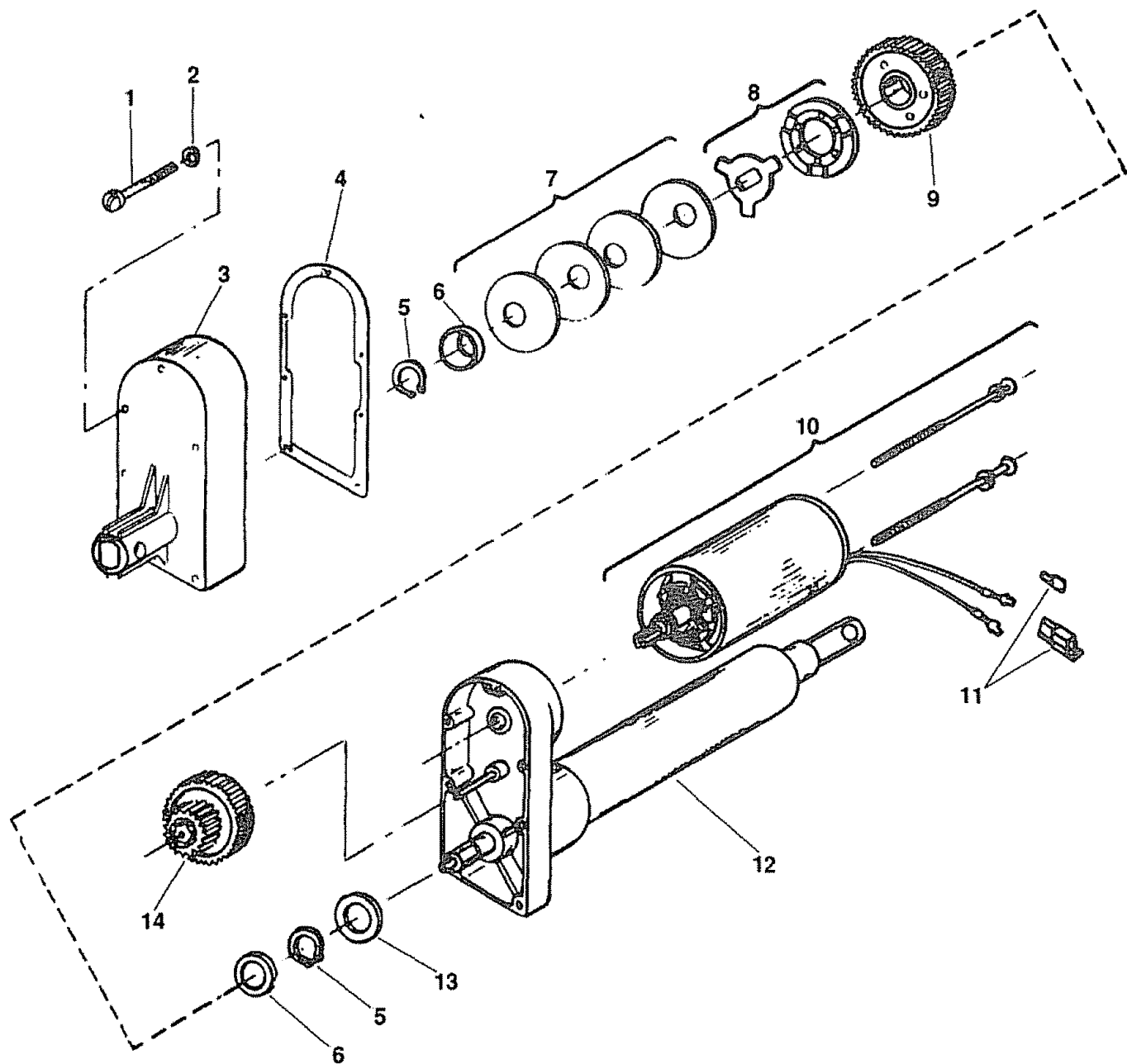
KEY PART NO. NO.	DESCRIPTION	KEY PART NO. NO.	DESCRIPTION
1 4197R	Axle Shaft	51 1529R	Needle Bearing
2 12000034	Retaining Ring	52 8119M	Needle Bearing
3 4199R	Final Drive Gear	53 4220R	Thrust Bearing Race
4 4216R	Differential Gear	54 4209R	3rd Reduction Pinion, Low
5 4215R	Differential Pinion	55 4213R	4th Reduction Gear
6 4217R	Differential Carrier	56 4442R	3rd Reduction Pinion Spacer
7 6256H	Axle Thrust Washer	57 4195R	2nd Reduction Gear Shaft
8 74020652	Bolt, Hex 3/8-24 x 3-1/4 (1" Thread Length)	58 4214R	Final Drive Pinion
9 7392M	Steel Ball	59 4194R	1st Reduction Gear Shaft
10 6272H	Spring Shift Fork Detent	60 7528R	1st Reduction Shaft Spacer
11 4985R	Shift Fork, High-Low Range	61 4208R	3rd Reduction Pinion High
12 6266H	Thrust Bearing Race	62 4207R	2nd Reduction Gear
13 4212R	4th Reduction Pinion	63 7398H	Needle Bearing
14 4196R	3rd Reduction Gear Shaft	64 4203R	Low Speed Gear and 2nd Reduction Pinion Cluster
15 6276H	Snap Ring, Crescent Type	65 4204R	Reverse Gear
16 633A63	High-Low Range Gears	66 2898J	Key, Hi-Pro 1/8 x 17/32
17 8118M	Needle Bearing	67 4926H	Snap Ring, Crescent Type
18 8740H1	Sintered Iron Bearing	68 4205R	Intermediate Speed Gear
19 122238X	Shift Fork Shaft, High-Low Range	69 4206R	High Speed Gear
20 4218R	Differential Pinion Spacer	70 1370H	Thrust Bearing Race
21 6252H1	Differential Pinion Bushing	71 633A69	Intermediate and High Speed Cluster Pinions
22 7810H	Gripco Centerlock Nut 3/8-24	72 208J	Input Shaft
23 6262H	Shift Fork, LH	73 4201R	Low Speed Pinion
24 7393R	Oil Seal	74 12000002	E-Ring
25 992R1	Sintered Iron Bearing	75 1153R	Reverse Idler Gear
26 6216H	Shift Fork Shaft	76 7392H	Reverse Idler Thrust Washer
27 4986R	Shift Fork, RH	77 3990H	Needle Bearing
28 122254X	Shift Shaft, High-Low Range	78 73220500	Nut, Hex 5/16-18
29 6269H	Oil Seal	79 1167R	Sealing Washer
30 5855H	Pressure Relief Valve	80 73360700	Nut, Hex, Jam 7/16-20
31 122162X	Gearcase, Reverse Idler Shaft and Bearings, RH (Includes Key No.'s 17, 18, 25, 33, 50, 63, 76, 77 & 82)	81 6270H	Oil Seal
32 6277H	Dowel Pin	82 7384H	Reverse Idler Shaft
33 4225R	Needle Bearing	84 5384J	Gear Shift Lever, Bent
34 7396H	Thrust Bearing Race	85 2978J	Gear Shift Cap
35 4198R	4th Reduction Gear Shaft	86 633A85	Gear Shift Ball Cover and Pin
36 4200R	4th Reduction Gear Spacer	87 8739H1	Shift Lever Guide Ball, Keyed
37 7395H	Thrust Bearing Race	88 4924H	Spring
38 121878X	Gearcase Gasket	89 19151516	Washer 15/32 x 15/16 x 16 Gauge
39 122163X	Gearcase and Bearings, LH (Includes Key Numbers 18, 25, 49, 50 (2), 51 and 52)	90 110542X	Shift Mechanism Seal
40 13320400	Pipe Plug 1/2-14 N.P.T.	91 19181511	Washer 9/16 x 15/16 x 12 Gauge
41 74780526	Bolt, Hex 5/16-18 UNC x 1-5/8	92 75J	Gear Shift Gate and Reinforcement
42 13170100	Elbow, Street, 90°	93 6274H	Shift Ball Cover Gasket
45 6271H	Oil Seal	94 76020412	Cotter Pin 1/8 x 3/4
46 13060200	Pipe Plug 1/4-18 N.P.T.	95 10040500	Washer, Lock 5/16
47 74780524	Bolt, Hex 5/16-18 x 1-1/2 Grade 5	96 74760514	Bolt, Hex 5/16-18 UNC x 7/8
48 10140500	Washer, Lock, Extra Heavy 5/16	97 633A109	Gear Shift Lever Assembly
49 4895H	Needle Bearing	98 122420X	Transaxle Assembly (Less Brake Drum and Shift Lever)
50 4222R	Needle Bearing		

NOTE: All component dimensions given in U.S. inches
1 inch = 25.4 mm

REPAIR PARTS

20 HP TRACTOR - - MODEL NUMBER 917.250032

ELECTRIC LIFT ACTUATOR



**KEY PART
NO. NO.**

DESCRIPTION

- 1 1862J Screw, Machine, Slotted Fillister Head #10-32 x 1-5/8
- 2 1863J Washer, Lock #10
- 3 8331J Housing Cover
- 4 1857J Cover Gasket
- 5 1865J Snap Ring
- 6 1864J Retaining Ring
- 7 677A149 Spring Washer (Use 3 or 4 as required)
- 8 674A281 Pawl and Ramp Washer

**KEY PART
NO. NO.**

DESCRIPTION

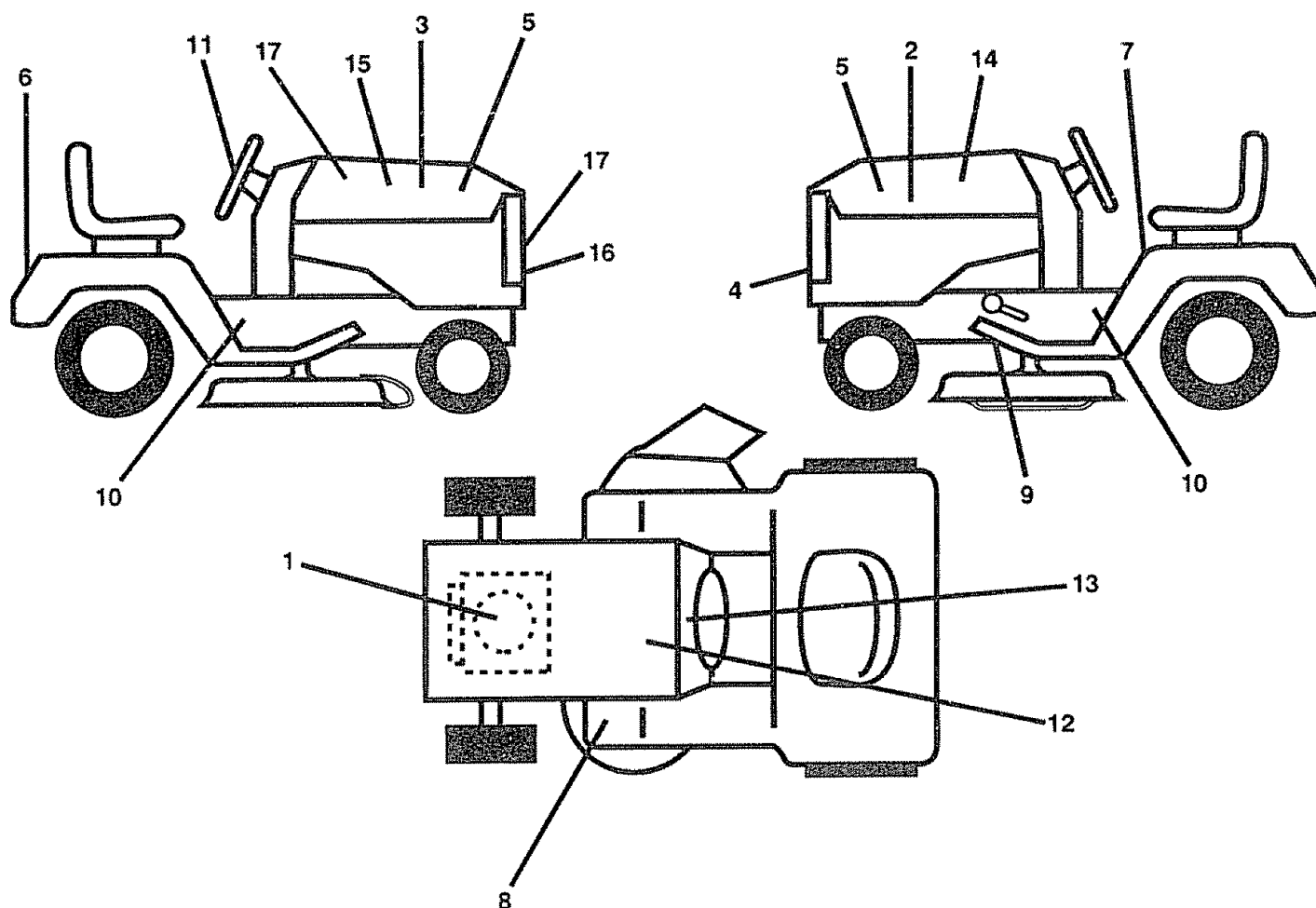
- 9 1859J Output Gear
- 10 1861J Motor, 12 Volt
- 11 673A218 Connector Body Kit
- 12 --- Not Serviced Separately-Order 124371X (Complete Actuator)
- 13 1860J Thrust Washer
- 14 1858J Intermediate Gear

NOTE: All component dimensions given in U.S. inches
1 inch = 25.4 mm

REPAIR PARTS

20 HP TRACTOR - - MODEL NUMBER 917.250032

ELECTRIC LIFT ACTUATOR



**KEY PART
NO. NO.**

DESCRIPTION

1	110921X	Decal, HP, Engine
2	128491	Decal, Hood, Stripe, LH
3	128490	Decal, Hood, Stripe, RH
4	105806X	Decal, Grill
5	132663	Decal, Side Panel
6	128314	Decal, Logo, Fender
7	106974X	Decal, Caution
8	4900J	Decal, Clutch/Brake
9	131283	Decal, V-Belt Drive

**KEY PART
NO. NO.**

DESCRIPTION

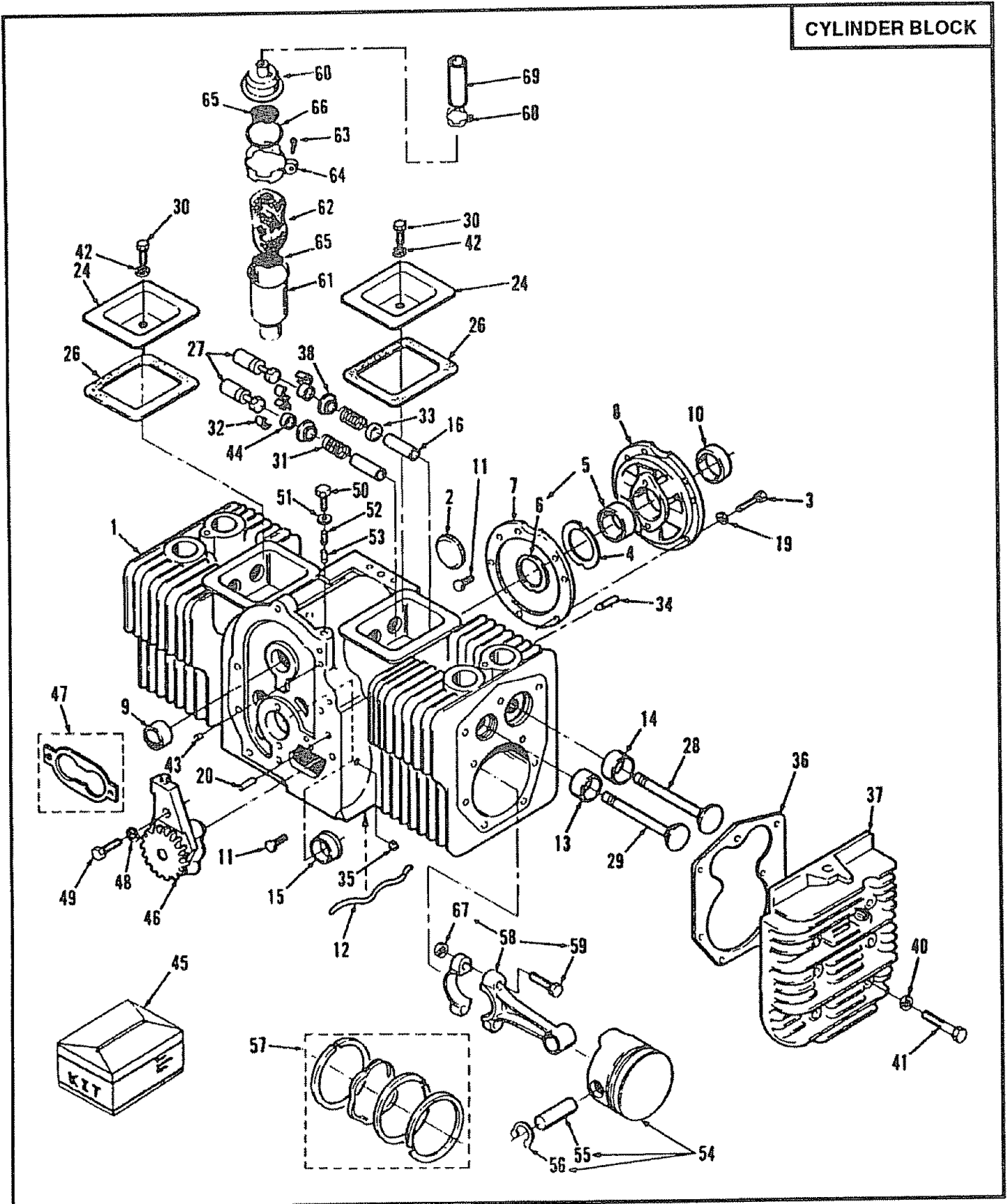
10	128884	Decal, Speed/Deck Size, Chassis
11	132265	Decal, Steering Wheel Insert
12	120960X	Decal, Battery
13	108456X	Decal, Operating Instructions
14	106813X	Decal, Side Panel, LH
15	106814X	Decal, Side Panel, RH
16	132270	Decal, Model, Grill
17	128257	Decal, Grill and Hood
--	132893	Manual, Owner's

REPAIR PARTS

20 HP TRACTOR - - MODEL NUMBER 917.250032

ONAN ENGINE - MODEL NUMBER 739.11054D

CYLINDER BLOCK



REPAIR PARTS

20 HP TRACTOR - - MODEL NUMBER 917.250032

ONAN ENGINE - MODEL NUMBER 739.11054D

CYLINDER BLOCK

KEY PART NO. NO.

DESCRIPTION

KEY PART NO.	NO.	DESCRIPTION
1	110-3424-2	Short Block, Cylinder (Includes Parts Marked *)
2	517-0048-01	* Plug, Welch, Camshaft Opening, Zinc Plated 1-5/8"
3	800-0051	* Screw, Cap, Hex Head 3/8-16 x 1-1/4"
4	104-0776	* Shim, Crankshaft, End Play .005"
5	101-0450	* Bearing, Crankshaft, Rear, Standard Size (Includes Thrust Washer)
	101-0450-02	.002" Undersize
	101-0450-10	.010" Undersize
	101-0450-20	.020" Undersize
	101-0450-30	.030" Undersize
6	104-0575	* Washer, Thrust
7	101-0782	* Gasket, Bearing Plate
8	101-0439-01	* Plate, Bearing, Rear, Standard, Code 11AH
9	101-0405	* Bearing, Camshaft
10	509-0041	* Seal, Oil, Crankshaft, Rear
11	516-0072	* Pin, Drive, Bearing Stop
12	120-0735	* Tube, Oil, Cylinder Block
13	110-1824	* Insert, Valve Seat, Exhaust, Standard Size
	110-1824-02	.002" Oversize
	110-1824-05	.005" Oversize
	110-1824-10	.010" Oversize
	110-1824-25	.025" Oversize
14	110-0197	* Insert, Valve Seat, Intake, Standard Size
	110-0197-02	.002" Oversize
	110-0197-05	.005" Oversize
	110-0197-10	.010" Oversize
	110-0197-25	.025" Oversize
15	101-0432	* Bearing, Crankshaft, Front, Flanged, Standard Size
	101-0432-02	.002" Undersize
	101-0432-10	.010" Undersize
	101-0432-20	.020" Undersize
	101-0432-30	.030" Undersize
16	110-3527	* Guide, Valve, Exhaust
	110-3526	* Guide, Valve, Intake
19	526-0251	* Washer, Lock, Spring 3/8"
20	516-0141	* Pin, Alignment, Gear Cover
24	110-3637-01	Cover, Valve, Zinc Plated
26	110-3709	Gasket, Valve Cover
27	115-0006	Tappet, Valve, Standard Size
	115-0006-02	.002" Oversize
	115-0006-05	.005" Oversize
28	110-3479	Valve, Intake
29	110-3480	Valve, Exhaust
30	800-0010	Screw, Cap, Hex Head 1/4-20 x 1-3/4"
31	110-3485	Spring, Valve
32	110-3511	Lock, Valve Spring
33	509-0289	Seal, Valve, Intake
36	110-3181	Gasket, Cylinder Head
37	110-3509	Head, Cylinder, Right Side
	110-3508	Head, Cylinder, Left Side

KEY PART NO. NO.

DESCRIPTION

38	110-3487	Washer, Valve Spring, Retaining
40	526-0122	Washer, Flat 5/16"
41	800-0571	Screw, Cap, Hex Head, Special 2"
42	526-0063	Washer, Flat, Copper 1/4"
43	517-0067	* Plug, Core Hole
44	110-3510	Cap, Valve
45		Kit, Gasket: Engine, Complete
	168-0187	Valve Grind/Carbon Removal
	168-0189	Pump, Oil (Components Not Sold Separately)
46	120-0491	Gasket Kit, Oil Pump
47	120-0161	Washer, M6
48	740-1004	Screw, Cap, Hex Head 1/4-20 x 1"
49	800-0007	Screw, Cap, Hex Head 3/8-24 x 7/8
50	801-0049	Washer, Flat, Copper 3/8"
51	526-0066	Spring, Bypass Valve
52	120-0140	Plunger, Bypass Valve
53	120-0398	Piston, Standard Size (Includes Pin And Rings)
54	112-0264	.005" Oversize
	112-0264-05	.010" Oversize
	112-0264-01	.020" Oversize
	112-0264-02	.030" Oversize
	112-0264-03	.040" Oversize
	112-0264-04	Pin, Piston
55	112-0229	Ring, Retaining
56	518-0311	Ring Set, Piston, Standard Size
57	113-0310	.005" Oversize
	113-0310-05	.010" Oversize
	113-0310-10	.020" Oversize
	113-0310-20	.030" Oversize
	113-0310-30	.040" Oversize
	113-0310-40	Rod, Connecting (Includes Bolt And Nut) 20 Horsepower, Standard Size
58	114-0257	.010" Undersize
	114-0257-10	.020" Undersize
	114-0257-20	.030" Undersize
	114-0257-30	Bolt, Connecting Rod, Special
59	114-0240	Cap and Valve, Breather
60	123-0954	Tube, Breather
61	123-0952	Baffle, Breather Tube
62	123-0117	Screw, Tapping, Round Head #8 x 3/4"
63	809-0035	Clamp, Loop, Breather Tube Cap
64	123-0951	Screen, Breather Tube
65	123-0958	Seal, O-Ring Breather Cap
66	509-0117	Nut, Hex, Crownlock
67	870-0302	Clamp
68	503-1336	Hose, Breather
69	503-1606-01	Plug, Plastic (not shown)
--	517-0090	Stud, Bolt, Guard Mounting (not shown)
--	520-0820	

* Parts Included In Cylinder Block

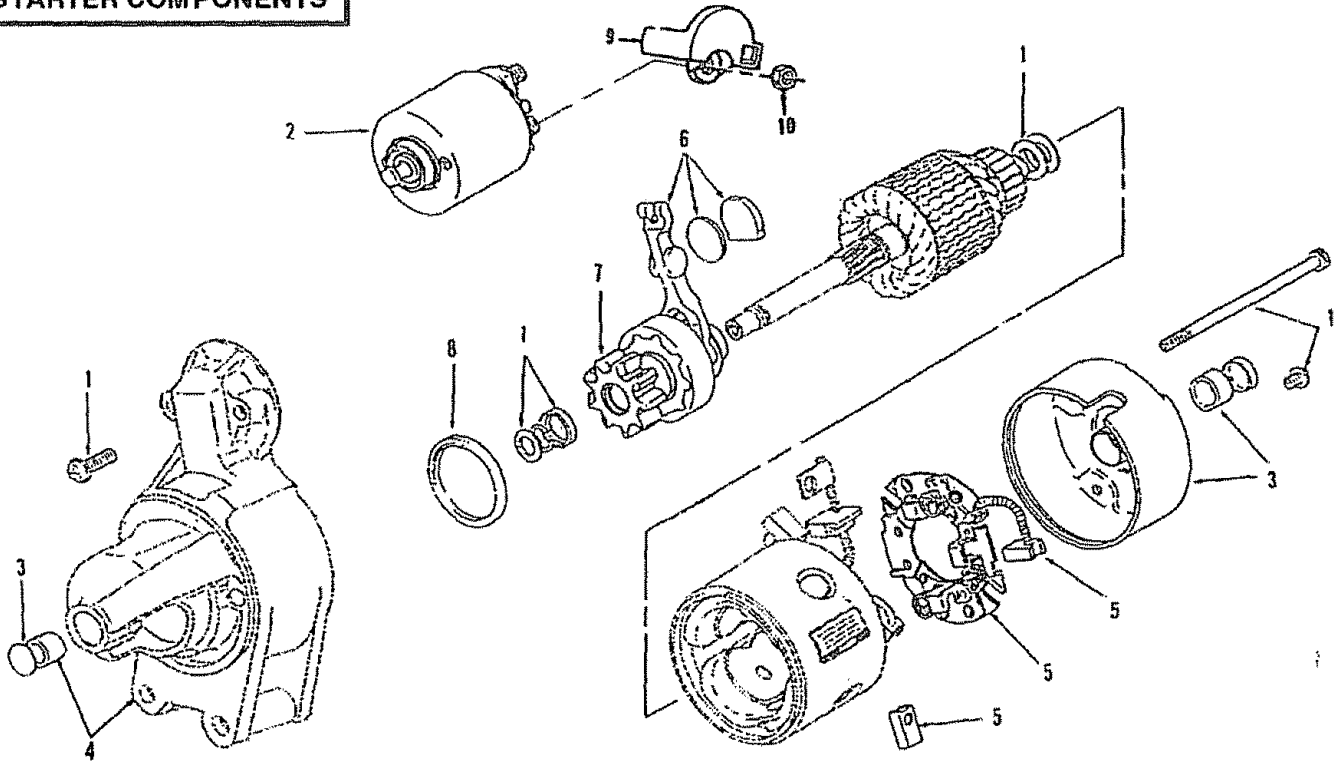
NOTE: All component dimensions given in U.S. inches
1 inch = 25.4 mm

REPAIR PARTS

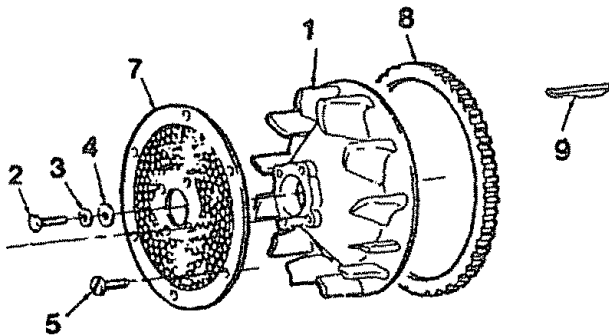
20 HP TRACTOR - - MODEL NUMBER 917.250032

ONAN ENGINE - MODEL NUMBER 739.11054D

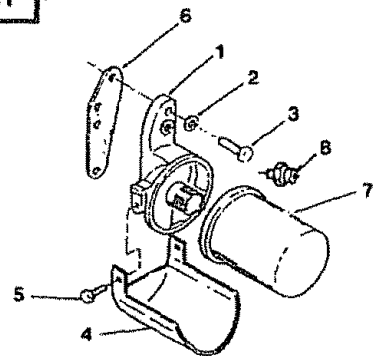
STARTER COMPONENTS



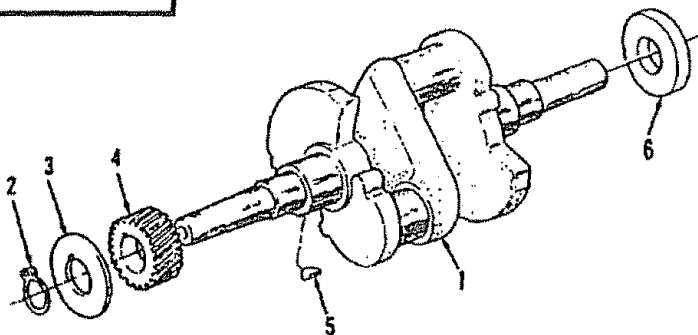
BLOWER



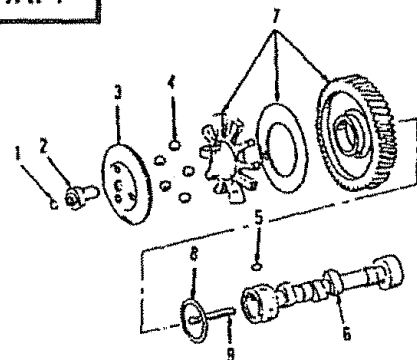
OIL FILTER



CRANKSHAFT



CAMSHAFT



REPAIR PARTS

20 HP TRACTOR - - MODEL NUMBER 917.250032

ONAN ENGINE - MODEL NUMBER 739.11054D

STARTER COMPONENTS

KEY PART NO. NO.	DESCRIPTION
1 191-1954	Kit, Hardware, Starter (Includes Solenoid Mounting Screws, Thru Bolts, Armature Shims, Pinion Stop Collar, Retaining Ring, and Solenoid Terminal Nuts)
2 191-1956	Kit, Solenoid, Starter (Includes Solenoid and Spring Plunger)
3 191-1931	Kit, Bushing, Starter (Includes Rear Cap with Bushing and Front Bushing)
4 191-1950	Kit, Mounting Bracket (Includes Front Bracket, Front Bushing, Dust Seal, Thrust Washer, Cap Plug and O.D. Pinion Seal)
5 191-1951	Holder Brush (Includes (2) Negative Brushes, (2) Positive Brushes and Brush Holder)
6 191-1766	Kit, Shift Lever, Starter (Includes Lever, Wear Plate, Rubber Plug and Grease)
7 191-1810	Clutch Assembly, Starter (Includes Pinion Gear and Clutch Assembly)
8 191-1955	Seal, Dust (Includes I.D. and O.D. Pinion Seals)
9 191-1947	Cup, Starter Solenoid
10 750-1006	Nut, Hex, M8

NOTE: Phantomed items not for sale, for replacement, order complete starter.

NOTE: Onan part number stamped on starter nameplate for identification.

BLOWER

KEY PART NO. NO.	DESCRIPTION
1 134-4633	Flywheel (Includes Ring Gear)
2 104-0170	Screw, Cap, Hex Head (Special)
3 526-0356	Washer, Flat 7/16"
4 526-0017	Washer, Flat 7/16"
5 815-0687	Screw, Lock Head, Flange #10-24 x 3/8"
7 134-4553-50	Screen, Air Inlet, Painted
8 104-0779	Gear, Ring
9 515-0284	Key, Flywheel

OIL FILTER

KEY PART NO. NO.	DESCRIPTION
1 122-0320	Adapter, Oil Filter
2 526-0065	Washer, Flat, Copper 5/16"
3 800-0028	Screw, Cap, Hex Head 5/16-18 x 1"
4 122-0360-50	Drain, Oil Filter, Painted
5 815-0194	Screw, Cap, Hex Head W/ET #10-32 x 3/8"
6 122-0771	Gasket, Oil Filter Adapter
7 122-0645	Filter, Oil
8 309-0546	Switch, Low Oil Pressure

CRANKSHAFT

KEY PART NO. NO.	DESCRIPTION
1 104-1351	Crankshaft (includes Key No. 5)
2 518-0014	Ring, Retainer
3 104-0043	Washer, Gear Retainer, Special
4 104-0032	Gear, Crankshaft
5 515-0001	Key, Crankshaft Gear
6 104-1712	Weight, Balance

CAMSHAFT

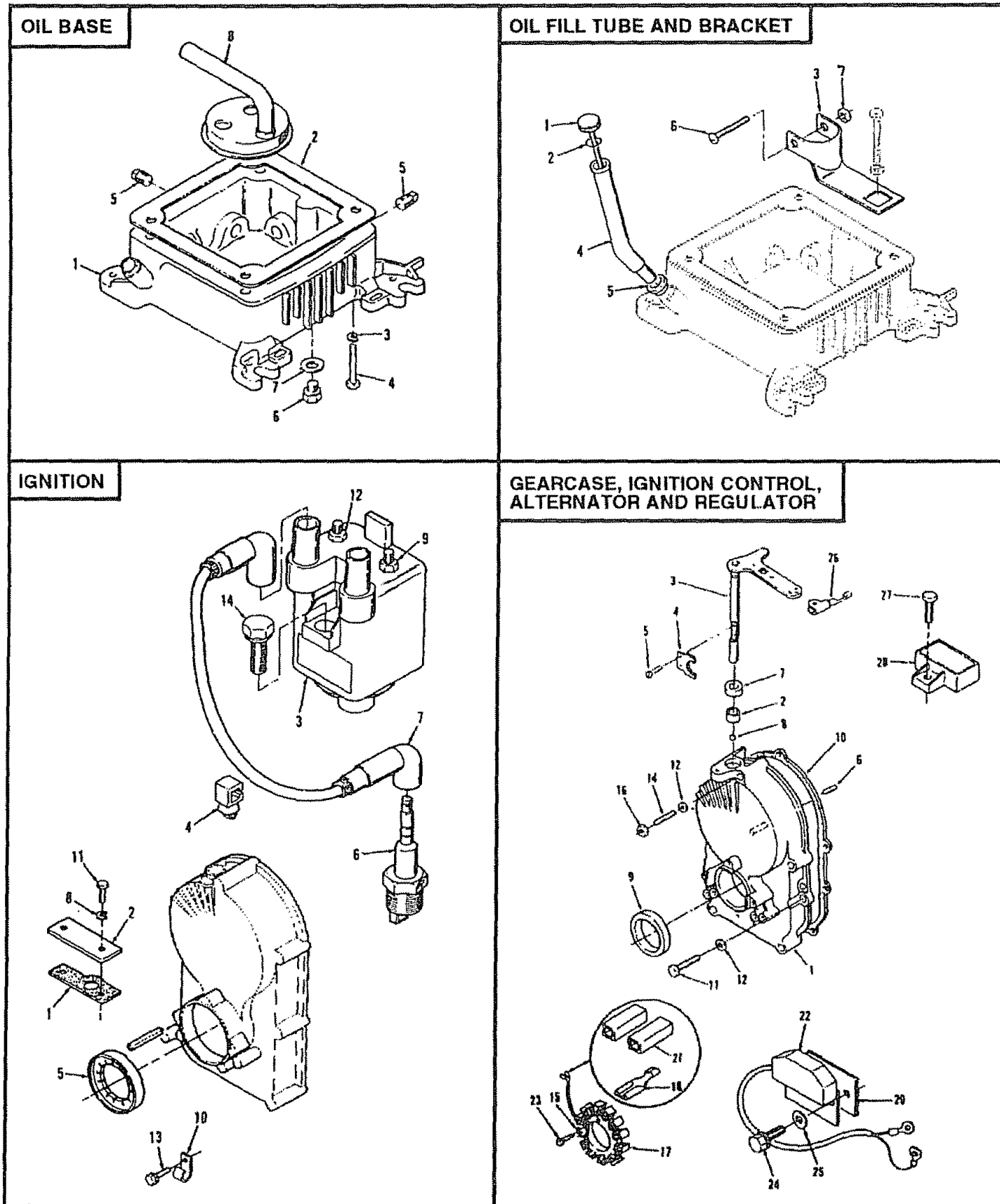
KEY PART NO. NO.	DESCRIPTION
1 150-0078	Ring, Retainer
2 150-1519	Hub, Governor Cup
3 150-1520	Cup, Governor
4 510-0015	Ball, Governor
5 515-0001	Key, Woodruff, Camshaft
6 105-0639	Camshaft (Includes Key Number 9)
7 105-0332	Gear, Camshaft (Includes Gear, Spacer and Plate)
8 105-0541	Washer, Thrust, Special
9 150-0075	Pin, Center

NOTE: All component dimensions given in U.S. inches
1 inch = 25.4 mm

REPAIR PARTS

20 HP TRACTOR - - MODEL NUMBER 917.250032

ONAN ENGINE - MODEL NUMBER 739.11054D



REPAIR PARTS

20 HP TRACTOR - - MODEL NUMBER 917.250032

ONAN ENGINE - MODEL NUMBER 739.11054D

OIL BASE

KEY PART NO. NO.	DESCRIPTION
1 102-1325	Base, Oil (Includes all Plugs and Plug Gasket)
2 102-1387	Gasket, Oil Base
3 526-0251	Washer 3/8"
4 800-0061	Screw, Cap, Hex Head 3/8-16 x 3-3/4"
5 505-0110	Plug, Square Head 3/8"
6 102-0938	Plug, Hex Head, Special
7 102-0743	Gasket, Hex Head, Plug
8 102-0713	Cup, Intake, Oil Pump

OIL FILL TUBE AND BRACKET

KEY PART NO. NO.	DESCRIPTION
1 123-1637	Cap and Indicator, Oil Fill (Includes O-Ring)
2 509-0142	O-Ring, Oil Fill Cap
3 123-1863-51	Bracket, Fill Tube, Painted
4 123-1685-50	Tube, Oil Fill, Painted 15.75" Long
5 509-0269	Seal, Oil Fill Tube
6 815-0576	Screw, Pan Head #10 x 1-1/4"
7 870-0410	Nut, Speed, Type U

IGNITION

KEY PART NO. NO.	DESCRIPTION
1 160-1368	Gasket, Plate
2 160-1345-01	Plate, Ignition Plunger Cover, Zinc Plated
3 166-0761	Coil, Battery Ignition (Includes Nuts)
4 332-2904	Clip, Wire (To #1 Spark Plug Wire)
5 166-0767	Rotor, Ignition
6 167-0263	Plug, Spark
7 167-1615-01	Cable, Spark Plug, 9"
167-1615-04	Cable, Spark Plug, 18.5"
8 740-1004	Washer, M6
9 166-0770	Nut, Hex, Flange (M4 Pos. Term.)
10 518-0515	Clip, Wire
11 800-0004	Screw, Cap, Hex Head 1/4-20 x 5/8
12 166-0771	Nut, Hex, Flange (M5 Neg. Term.)
13 815-0389	Screw, Hex Washer Hd. 1/4-20 x 1
14 815-0650	Screw, Hex Washer Hd. 1/4-20 x 1

GEARCASE, IGNITION CONTROL, ALTERNATOR AND REGULATOR

KEY PART NO. NO.	DESCRIPTION
1 103-0799	Kit, Gearcase (Includes Parts Marked*)
2 510-0105	* Bearing, Governor Shaft
3 150-1422	* Shaft and Arm, Governor
4 150-1187	* Yoke, Governor Shaft
5 815-0046	* Screw, Machine, Pan Head #8-32 x 3/8"
6 516-0130	* Pin, Dowel, Governor Cup Stop
7 509-0008	* Seal, Oil, Governor Shaft
8 510-0014	* Ball, Bearing, Governor Shaft
9 509-0040	* Seal, Oil, Crankshaft
10 103-0810	Gasket, Gearcase Mounting
11 800-0032	Screw, Cap, Hex Head 5/16-18 x 1-3/4"
12 526-0065	Washer, Flat, Copper 5/16"
14 520-0933	Stud, Gear Cover
15 850-0030	Washer, Lock, #10
16 862-0015	Nut, Hex 5/16-18
17 191-1256	Stator (Includes Terminals)
18 332-2423	Terminal, Stator Leads
21 323-1257	Body, Terminal Connector, Kit (Includes Terminals)
22 166-0763	Control, Ignition
23 815-0172	Screw, Machine, Hex Head, Self-Locking, Code 31AZ #10-32 x 1"
24 815-0340	Screw, Hex Washer Head #10-32 x 3/8"
25 854-0010	Washer, Lock, Internal Tooth #10
26 518-0406	Clip, Retaining, Control Rod To Governor Shaft
27 821-0008	Screw, Cap, Hex Washer Head 1/4-20 x 5/16"
28 191-1748	Regulator, Voltage, 20 Ampere
29 166-0786	Insulator, Ignition Module

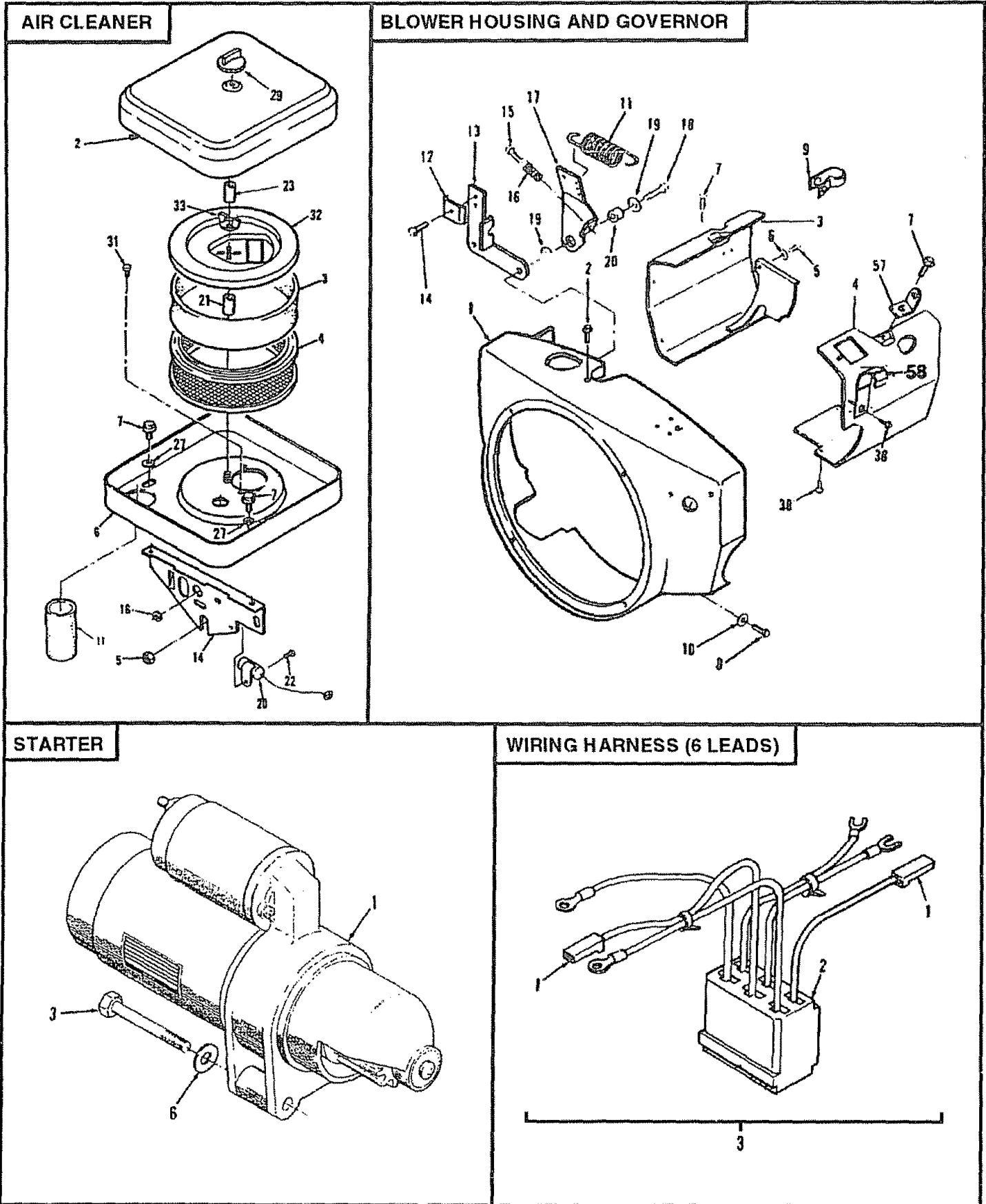
* Parts Included In 103-0791 Gearcase.

NOTE: All component dimensions given in U.S. inches
1 inch = 25.4 mm

REPAIR PARTS

20 HP TRACTOR - - MODEL NUMBER 917.250032

ONAN ENGINE - MODEL NUMBER 739.11054D



REPAIR PARTS

20 HP TRACTOR - - MODEL NUMBER 917.250032

ONAN ENGINE - MODEL NUMBER 739.11054D

AIR CLEANER

KEY PART NO.	NO.	DESCRIPTION
1	865-0020	Nut, Wing 1/4-20
2	140-2005-50	Cover, Air Cleaner, Painted
3	140-1496	Wrapper, Air Cleaner Element, Standard Svc and XSL
4	140-2522	Element, Air Cleaner, Standard Capacity
5	870-0399	Nut, Hex Washer Head, Flanged 5/16-18
6	140-2493-53	Housing, Air Cleaner
7	815-0575	Screw, Tapping, Hex Washer Head, 1/4-20 x 3/8"
11	140-2025	Tube, Air Intake
14	140-2017-50	Support, Air Cleaner, Painted
16	508-0021	Grommet, Rubber (3/4" Hole)
20	312-0256	Capacitor
21	140-2536-01	Spacer, Air Cleaner Stud, 1" Long
22	815-0178	Screw, Hex Washer Head, Thread Forming #10-32 x 5/8"
23	140-2536-03	Spacer, Rubber
29	140-2537	Knob 1/4-20
31	815-0463	Screw, Slotted Hex Washer Head #10-32 x 3/8"
32	140-2441	Cover, Element
33	865-0029	Nut, Wing 1/4-20

STARTER

KEY PART NO.	NO.	DESCRIPTION
1	191-1949-07	Starter, Selenoid Shift
3	800-0595	Screw, Cap, Hex Head 5/16-18 x 3-1/2"
6	526-0122	Washer, Flat 5/16"

NOTE: Onan part number stamped on the nameplate for identification.

BLOWER HOUSING AND GOVERNOR

KEY PART NO.	NO.	DESCRIPTION
1	134-4728-50	Housing, Blower, Painted
2	815-0261	Screw, Tapping, Hex Washer Head
3	134-4615-50	Housing, Cylinder, Air, L.H., Painted
4	134-4796-50	Housing, Cylinder, Air, R.H., Painted
5	815-0290	Screw, Tapping, Hex Washer Head 1/4-20 x 5/8"
6	526-0021	Washer, Flat 1/4"
7	821-0016	Screw, Cap, Hex Washer Head 5/16-18 x 3/4"
8	815-0290	Screw, Tapping, Hex Washer Head 1/4-20 x 5/8"
9	332-2319	Clamp, Wire, Alternator Leads
10	526-0018	Washer, Flat 1/4"
11	150-1214	Spring, Governor, 5 Ball
12	153-0514	Clamp, Cable
13	150-2345-02	Bracket, Cable
14	815-0359	Screw, Tapping, Hex Head #10-32 x 1/2"
15	815-0510	Screw, Tapping, Hex Head #6-32 x 5/8"
16	150-1398	Spring, Idle Setting
17	150-2344-02	Arm, Governor Control (Without Swivel)
18	815-0436	Screw, Cap, Hex Washer Head 1/4-20 x 1/2"
19	526-0021	Washer, Flat, 1/4"
20	150-1269	Bushing, Control Arm
38	821-0008	Screw, Cap, Hex Washer Head 1/4-20 x 5/16"
57	403-1523-01	Bracket, Lifting, Zinc Plated
58	- - -	Insulated Clip

WIRING HARNESS (6 LEADS)

KEY PART NO.	NO.	DESCRIPTION
1	332-0819	Housing, Receptacle
2	323-1386	Housing, Receptacle, 6 Way
3	338-2104-02	Harness, Wiring, Engine

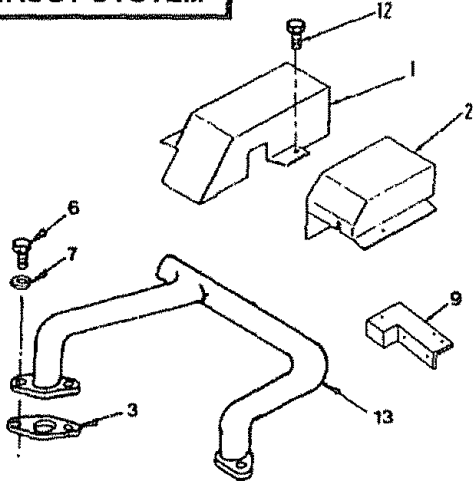
NOTE: All component dimensions given in U.S. inches
1 inch = 25.4 mm

REPAIR PARTS

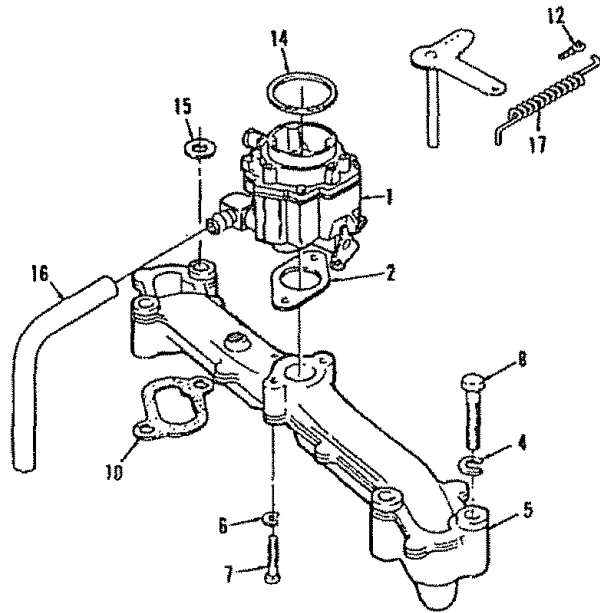
20 HP TRACTOR - - MODEL NUMBER 917.250032

ONAN ENGINE - MODEL NUMBER 739.11054D

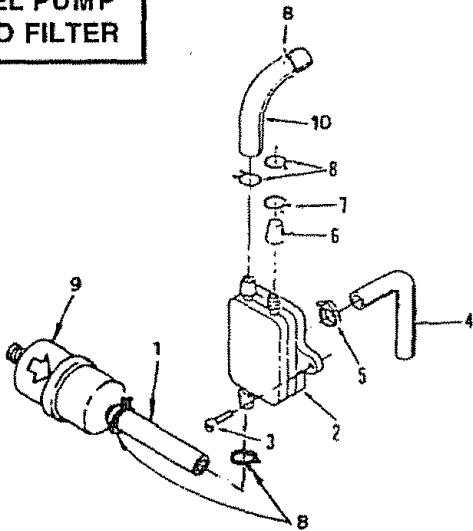
EXHAUST SYSTEM



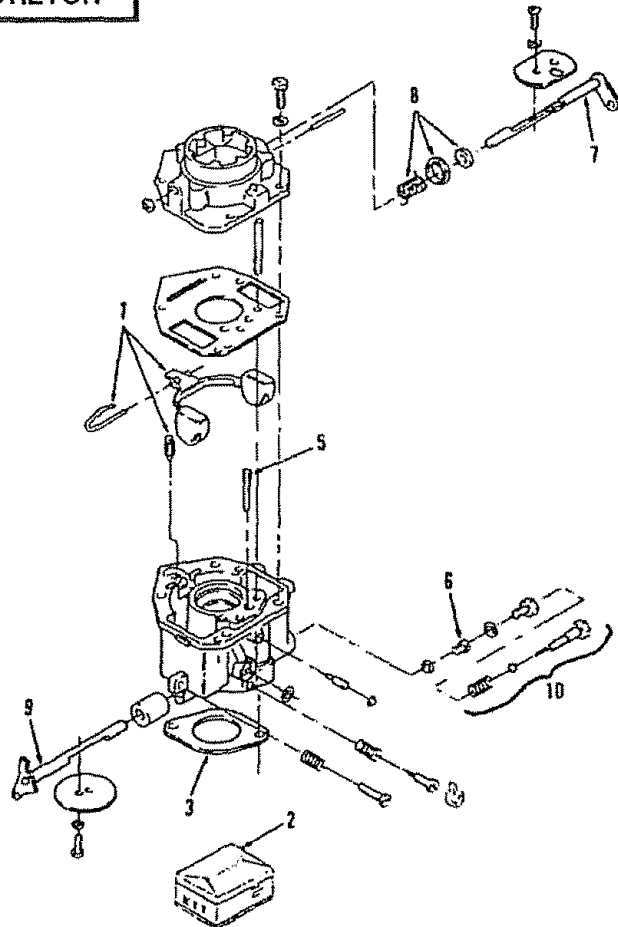
INTAKE MAINFOLD



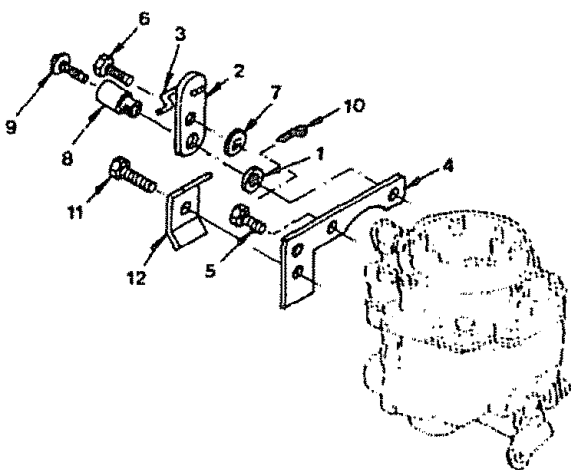
FUEL PUMP AND FILTER



CARBURETOR



CHOKE CONTROL (FRONT PULL)



REPAIR PARTS

20 HP TRACTOR - - MODEL NUMBER 917.250032

ONAN ENGINE - MODEL NUMBER 739.11054D

EXHAUST SYSTEM

KEY PART NO. NO.	DESCRIPTION
1 134-4254-50	Cover, Exhaust, L.H.
2 134-4655-50	Cover, Exhaust, R.H.
3 154-2746	Gasket, Exhaust Adapter
6 800-0026	Screw, Cap, Hex Head 5/16-18 x 3/4"
7 850-0045	Washer, Lock, Spring 5/16"
9 134-4445-50	Support, Exhaust Cover
12 821-0009	Screw, Hex Washer Head 1/4-20 x 3/8"
13 154-2732-01	Manifold, Exhaust

FUEL PUMP AND FILTER

KEY PART NO. NO.	DESCRIPTION
1 503-0707	Hose, 12" (Cut to Desired Length)
2 149-2187-01	Pump, Fuel, Vacuum
3 815-0555	Screw, Tapping, Pan Head #10-24 x 5/8"
4 503-0707	Line, Pulse (Cut to 7" Long)
5 503-0731	Clamp, Hose 1/2"
6 149-1321	Cap, Fuel Fitting
7 503-0301	Clamp, Hose
8 503-0731	Clamp, Hose 1/2"
9 149-2206-01	Filter, Fuel

INTAKE MANIFOLD

KEY PART NO. NO.	DESCRIPTION
1 146-0496	Carburetor, Complete, 20 Horsepower (Includes Mounting Gasket, Elbow and O-Ring)
2 154-0733	Gasket, Carburetor to Adaptor
4 740-1006	Washer, Flat, M8
5 154-0275	Manifold, Intake (Un-Tapped Boss)
6 140-1006	Washer, M8
7 800-0032	Screw, Cap, Hex Head 5/16-18 x 1.75"
8 800-0033	Screw, Cap, Hex Head 5/16-18 x 2"
10 154-2495	Gasket, Manifold to Block
12 518-0004	Clip, Retaining, Control Rod to Carburetor
13 150-2460	Rod, Governor Control
14 509-0145	O-Ring
15 526-0113	Washer, Flat 5/16"
16 503-1577	Hose, Fuel 30"
17 150-2409	Spring, Governor Rod

CHOKE CONTROL (FRONT PULL)

KEY PART NO. NO.	DESCRIPTION
1 526-0140	Washer, Flat #10
2 153-0523	Lever, Choke
3 153-0500	Link, Choke
4 153-0524	Bracket, Choke Cable
5 821-0004	Screw, Cap, Hex Washer Head #10-32 x 1/4"
6 815-0480	Screw, Shoulder #10-32 x .34"
7 854-0010	Washer, Lock, IT #10
8 152-0155	Swivel, Choke Lever
9 815-0693	Screw, Machine, Hex Head #8-32 x .375"
10 516-0059	Pin, Cotter
11 815-0359	Screw, Tapping, Slotted Hex Washer Head #10-32 x 7/8"
12 153-0514	Clip, Choke Cable

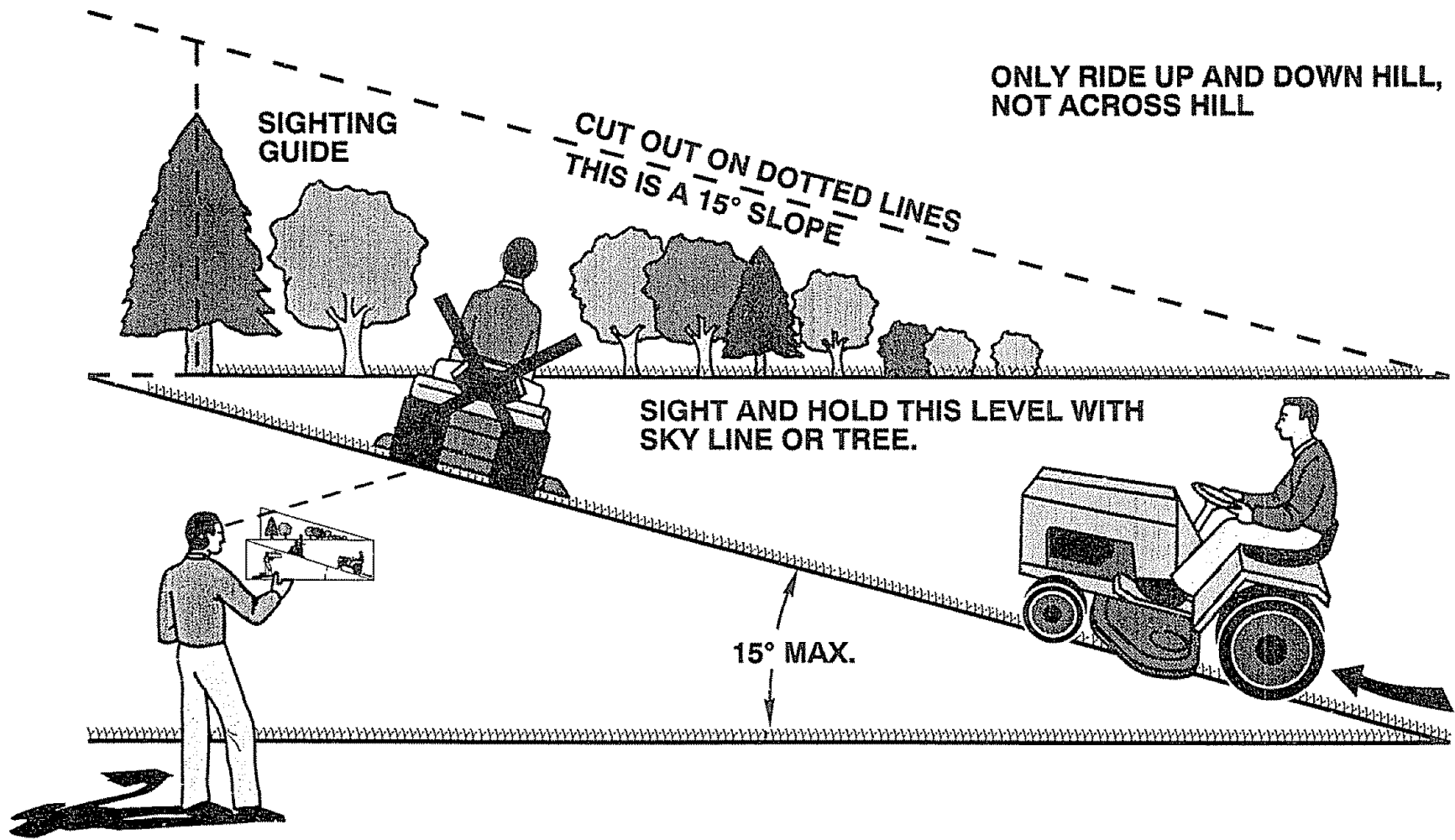
CARBURETOR

KEY PART NO. NO.	DESCRIPTION
-- 146-0496	Carburetor, Complete, 20 Horsepower (Includes Mounting Gasket)
1 146-0437	Float Kit (Includes Float, Pin And Valve)
2 146-0500	Kit, Repair (Includes Screw and Plug Package, Gasket Package, Float Valve, Idle Adjust Needle and Spring, Mounting Gaskets and Idle Limit Cap)
3 154-0733	Gasket, Carburetor Mounting
5 146-0425	Jet, Idle
6 145-0391	Jet, Power
7 146-0433	Kit, Shaft, Choke (Includes Choke Valve, Valve Set Screw and Air Filter)
8 146-0435	Kit, Lever, Choke (Includes Choke Lever Ring, Choke Spring and Choke Collar)
9 146-0503	Kit, Shaft, Throttle (Includes Valve Set Screw, Air Filter and Throttle Valve)
10 146-0347	Jet, Fixed, High Altitude Kit (For Altitudes Greater Than 5000 Feet)

NOTE: All component dimensions given in U.S. inches
1 inch = 25.4 mm

SERVICE NOTES

SUGGESTED GUIDE FOR SIGHTING SLOPES FOR SAFE OPERATION



SEARS

OWNER'S MANUAL

MODEL NO. 917.250032

HOW TO ORDER REPAIR PARTS

CRAFTSMAN[®]

20 HP IC ELECTRIC START 6 SPEED TRANSAXLE GARDEN TRACTOR

Each tractor has its own model number. Each engine has its own model number.

The Model Number for your tractor will be found on the model plate located under the seat.

The model number for your engine will be found on the blower housing of the engine.

All parts listed herein may be ordered from any Sears Service Centre and most Retail Stores.

WHEN ORDERING REPAIR PARTS, ALWAYS GIVE THE FOLLOWING INFORMATION:

- **PRODUCT - LAWN TRACTOR**
- **MODEL NUMBER - 917.250032**
- **ENGINE MODEL NUMBER - 739.11054D**
- **PART NUMBER**
- **PART DESCRIPTION**

Your Sears merchandise has added value when you consider Sears has service units nationwide staffed with Sears trained technicians... professional technicians specifically trained to insure that we meet our pledge to you, we service what we sell.

Sears, Roebuck and Co., Chicago, IL 60684 U.S.A.