

Owner's Manual

CRAFTSMAN

15.5 HP

ELECTRIC START

42" MOWER

6 SPEED TRANSAXLE

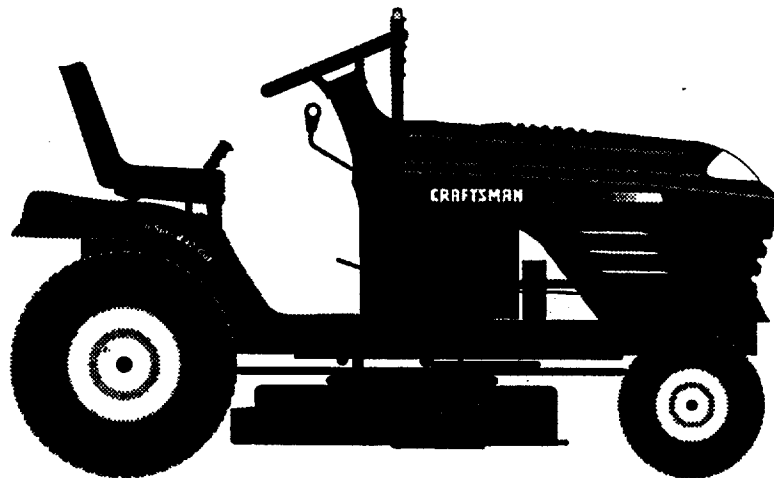
LAWN TRACTOR

EZ³

Model No.

917.271011

- Safety
- Assembly
- Operation
- Maintenance
- Repair Parts



This product has a low emission engine which operates differently from previously built engines. Before you start the engine, read and understand this Owner's Manual.

CAUTION:

Read and follow all Safety Rules and Instructions before operating this equipment.

For answers to your questions about this product, Call:

1-800-659-5917
Sears Craftsman Help Line
5 am - 5 pm, Mon - Sat

Sears, Roebuck and Co., Hoffman Estates, IL 60179

TABLE OF CONTENTS

| | |
|------------------------------|------------|
| Warranty..... | 18 |
| Safety Rules..... | 21 |
| Product Specifications..... | 3 |
| Assembly..... | 8 |
| Operation..... | 12 |
| Maintenance Schedule..... | 18 |
| Maintenance..... | 18 |
| Service and Adjustments..... | 22 |
| Storage..... | 28 |
| Troubleshooting..... | 29 |
| Repair Parts..... | 34 |
| Parts Ordering..... | Back Cover |

WARRANTY

LIMITED TWO YEAR WARRANTY ON CRAFTSMAN RIDING EQUIPMENT

For two (2) years from the date of purchase, if this Craftsman Riding Equipment is maintained, lubricated and tuned up according to the instructions in the owner's manual, Sears will repair or replace, free of charge, any parts found to be defective in material or workmanship.

This Warranty does not cover:

- Expendable items which become worn during normal use, such as blades, spark plugs, air cleaners, belts, etc.
- Tire replacement or repair caused by punctures from outside objects, such as nails, thorns, stumps, or glass.
- Repairs necessary because of operator abuse, negligence, improper storage or accident or the failure to maintain the equipment according to the instructions contained in the owner's manual.
- Riding equipment used for commercial or rental purposes.

LIMITED 90 DAY WARRANTY ON BATTERY

For ninety (90) days from date of purchase, if any battery included with this riding equipment proves defective in material or workmanship and our testing determines the battery will not hold a charge, Sears will replace the battery at no charge. In-home warranty service on your Craftsman riding equipment is available at no charge for 30 days from the date of purchase. Please contact your nearest service center. After 30 days from the date of purchase, warranty service is available by taking your Craftsman riding equipment to your nearest Sears Service Center. (In-home warranty service will still be available after 30 days from the date of purchase but a standard trip charge will apply). This warranty applies only while this product is in the United States. This Warranty gives you specific legal rights, and you may also have other rights which may vary from state to state.

Sears, Roebuck and Co., D/817 WA, Hoffman Estates, IL 60179

SAFETY RULES

GENERAL OPERATION

- Read, understand, and follow all instructions in the manual and on the machine before starting.
- Only allow responsible adults, who are familiar with the instructions, to operate the machine.
- Clear the area of objects such as rocks, toys, wire, etc., which could be picked up and thrown by the blade.
- Be sure the area is clear of other people before mowing. Stop machine if anyone enters the area.
- Never carry passengers.
- Do not mow in reverse unless absolutely necessary. Always look down and behind before and while backing.
- Be aware of the mower discharge direction and do not point it at anyone. Do not operate the mower without either the entire grass catcher or the guard in place.
- Slow down before turning.
- Never leave a running machine unattended. Always turn off blades, set parking brake, stop engine, and remove keys before dismounting.

SAFETY RULES

- Turn off blades when not mowing.
- Stop engine before removing grass catcher or unclogging chute.
- Mow only in daylight or good artificial light.
- Do not operate the machine while under the influence of alcohol or drugs.
- Watch for traffic when operating near or crossing roadways.
- Use extra care when loading or unloading the machine into a trailer or truck.

SLOPE OPERATION

Slopes are a major factor related to loss-of-control and tipover accidents, which can result in severe injury or death. All slopes require extra caution. If you cannot back up the slope or if you feel uneasy on it, do not mow it.

DO:

- Mow up and down slopes, not across.
- Remove obstacles such as rocks, tree limbs, etc.
- Watch for holes, ruts, or bumps. Uneven terrain could overturn the machine. Tall grass can hide obstacles.
- Use slow speed. Choose a low gear so that you will not have to stop or shift while on the slope.
- Follow the manufacturer's recommendations for wheel weights or counterweights to improve stability.
- Use extra care with grass catchers or other attachments. These can change the stability of the machine.
- Keep all movement on the slopes slow and gradual. Do not make sudden changes in speed or direction.
- Avoid starting or stopping on a slope. If tires lose traction, disengage the blades and proceed slowly straight down the slope.

DO NOT:

- Do not turn on slopes unless necessary, and then, turn slowly and gradually downhill, if possible.
- Do not mow near drop-offs, ditches, or embankments. The mower could suddenly turn over if a wheel is over the edge of a cliff or ditch, or if an edge caves in.
- Do not mow on wet grass. Reduced traction could cause sliding.

- Do not try to stabilize the machine by putting your foot on the ground.
- Do not use grass catcher on steep slopes.

CHILDREN

Tragic accidents can occur if the operator is not alert to the presence of children. Children are often attracted to the machine and the mowing activity. Never assume that children will remain where you last saw them.

- Keep children out of the mowing area and under the watchful care of another responsible adult.
- Be alert and turn machine off if children enter the area.
- Before and when backing, look behind and down for small children.
- Never carry children. They may fall off and be seriously injured or interfere with safe machine operation.
- Never allow children to operate the machine.
- Use extra care when approaching blind corners, shrubs, trees, or other objects that may obscure vision.

SERVICE

- Use extra care in handling gasoline and other fuels. They are flammable and vapors are explosive.
 - Use only an approved container.
 - Never remove gas cap or add fuel with the engine running. Allow engine to cool before refueling. Do not smoke.
 - Never refuel the machine indoors.
 - Never store the machine or fuel container inside where there is an open flame, such as a water heater.
- Never run a machine inside a closed area.
- Keep nuts and bolts, especially blade attachment bolts, tight and keep equipment in good condition.
- Never tamper with safety devices. Check their proper operation regularly.
- Keep machine free of grass, leaves, or other debris build-up. Clean oil or fuel spillage. Allow machine to cool before storing.
- Stop and inspect the equipment if you strike an object. Repair, if necessary,

SAFETY RULES

before restarting.

- Never make adjustments or repairs with the engine running.
- Grass catcher components are subject to wear, damage, and deterioration, which could expose moving parts or allow objects to be thrown. Frequently check components and replace with

manufacturer's recommended parts, when necessary.

- Mower blades are sharp and can cut. Wrap the blade(s) or wear gloves, and use extra caution when servicing them.
- Check brake operation frequently. Adjust and service as required.



- Be sure the area is clear of other people before mowing. Stop machine if anyone enters the area.
- Never carry passengers.
- Do not mow in reverse unless absolutely necessary. Always look down and behind before and while backing.
- Never carry children. They may fall off and be seriously injured or interfere with safe machine operation.
- Keep children out of the mowing area and under the watchful care of another responsible adult.
- Be alert and turn machine off if children enter the area.
- Before and when backing, look behind and *down* for small children.

- Mow up and down slopes (15° Max), not across.
- Remove obstacles such as rocks, tree limbs, etc.
- Watch for holes, ruts, or bumps. Uneven terrain could overturn the machine. *Tall grass can hide obstacles.*
- Use slow speed. Choose a low gear so that you will not have to stop or shift while on the slope.
- Avoid starting or stopping on a slope. If tires lose traction, disengage the blades and proceed slowly *straight* down the slope.
- *Do not* turn on slopes unless necessary, and then, turn slowly and gradually downhill, if possible.

▲ Look for this symbol to point out important safety precautions. It means CAUTION!!! BECOME AWARE!!! YOUR SAFETY IS INVOLVED.

▲ **WARNING:** The engine exhaust from this product contains chemicals known to the State of California to cause cancer, birth defects, or other reproductive harm.

▲ **CAUTION:** In order to prevent accidental starting when setting up, transporting, adjusting or making repairs always disconnect spark plug wire and place wire where it cannot contact spark plug.

PRODUCT SPECIFICATIONS

| | |
|------------------------------|--|
| GASOLINE CAPACITY AND TYPE: | 1.25 GALLONS UNLEADED REGULAR |
| OIL TYPE (API-SF/SG/SH): | SAE 10W-30 (above 32°F) SAE 5W-30 (below 32°F) |
| OIL CAPACITY: | W/FILTER: 4.0 PINTS W/O FILTER: 3.5 PINTS |
| SPARK PLUG: (GAP: .040") | Champion RC12YC |
| GROUND SPEED FORWARD: (MPH): | 1ST 1.1 2ND 1.4 3RD 2.3 4TH 3.5 5TH 4.5 6TH 6.0 REVERSE: 1.7 |
| TIRE PRESSURE: | FRONT: 14 PSI REAR: 10 PSI |
| CHARGING SYSTEM: | 3 AMPS BATTERY 5 AMPS HEADLIGHTS |
| BATTERY: | AMP/HR: 30 MIN. CCA:240 CASE SIZE: U1R |
| BLADE BOLT TORQUE: | 27-35 FT. LBS. |

CONGRATULATIONS on your purchase of a Craftsman Tractor. It has been designed, engineered and manufactured to give you the best possible dependability and performance.

Should you experience any problem you cannot easily remedy, please contact your nearest Sears Authorized Service Center. We have competent, well-trained technicians and the proper tools to service or repair this tractor.

Please read and retain this manual. The instructions will enable you to assemble and maintain your tractor properly. Always observe the "SAFETY RULES".

MAINTENANCE AGREEMENT

A Sears Maintenance Agreement is available on this product. Contact your nearest Sears store for details.

CUSTOMER RESPONSIBILITIES

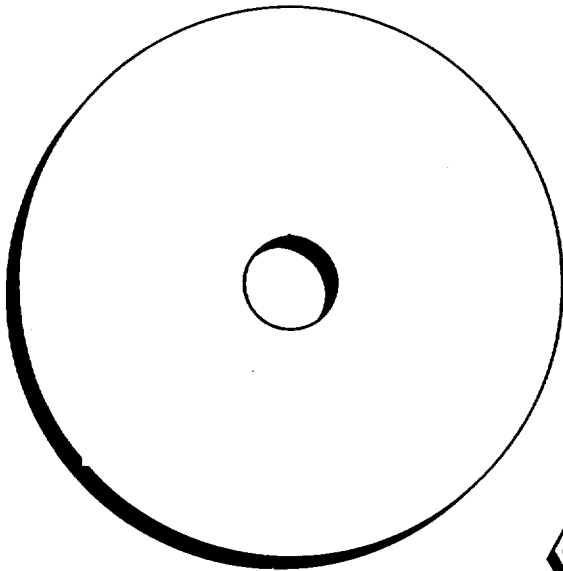
- Read and observe the safety rules.
- Follow a regular schedule in maintaining, caring for and using your tractor.
- Follow the instructions under "Maintenance" and "Storage" sections of this owner's manual.

▲WARNING: This tractor is equipped with an internal combustion engine and should not be used on or near any unimproved forest-covered, brush-covered or grass-covered land unless the engine's exhaust system is equipped with a spark arrester meeting applicable local or state laws (if any). If a spark arrester is used, it should be maintained in effective working order by the operator.

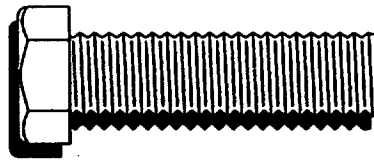
In the state of California the above is required by law (Section 4442 of the California Public Resources Code). Other states may have similar laws. Federal laws apply on federal lands. A spark arrester for the muffler is available through your nearest Sears Authorized Service Center (See REPAIR PARTS section of this manual).

CONTENTS OF HARDWARE PACK

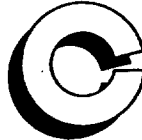
Parts Bag contents shown full size



(1) Large Flat Washer



(1) Hex Bolt 5/16-18 x 1-1/4

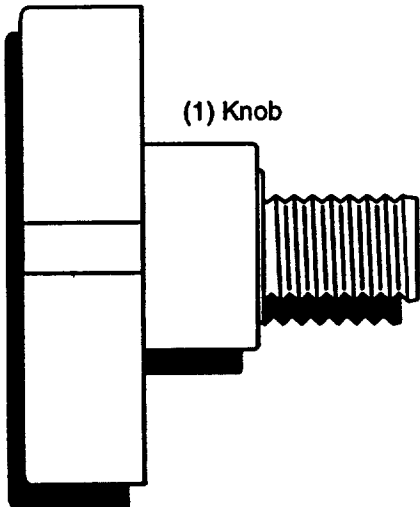
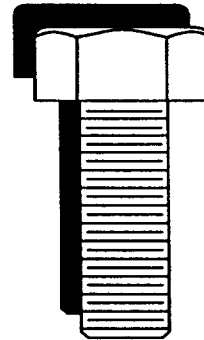


(1) Lockwasher 3/8

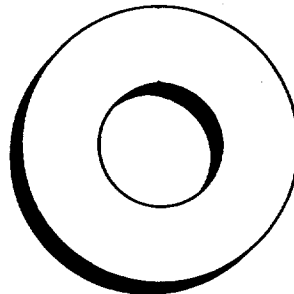


(1) Locknut 5/16-18

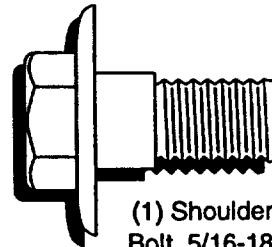
(1) Hex Bolt
3/8-16 x 1



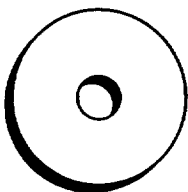
(1) Knob



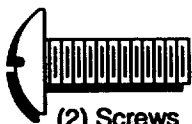
(1) Washer
17/32 x 1-3/16 x 12 Gauge



(1) Shoulder
Bolt 5/16-18



(2) Washers
3/16 x 3/4 x 16 Gauge



(2) Screws #10 x 5/8



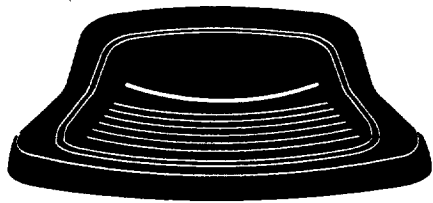
(2) Weld
Nuts #10



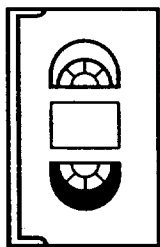
(2) Lock
Washers #10

CONTENTS OF HARDWARE PACK

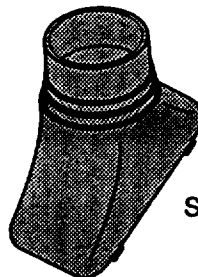
Parts packed separately in carton



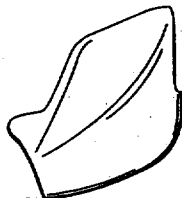
Seat



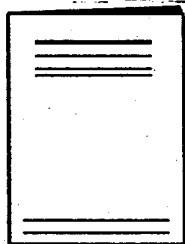
Video
Cassette



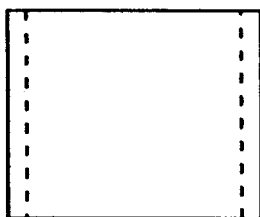
Steering
Boot



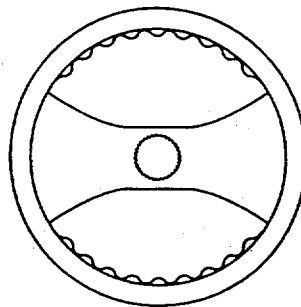
Mulcher
Plate



Manual

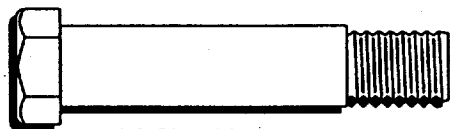


Parts Bag



Steering
Wheel

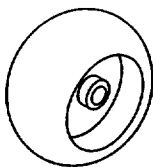
Parts Bag contents not shown full size



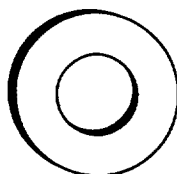
(2) Shoulder
Bolts



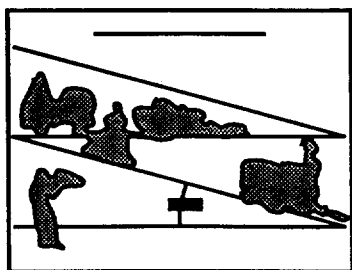
(2) Center-
lock Nuts



(2) Gauge
Wheels



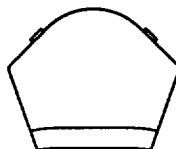
(2) Washers 3/8
x 7/8 x 14 Gauge



Slope Sheet



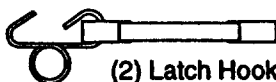
Steering
Extension
Shaft



Steering
Wheel
Insert



Steering Wheel
Adapter



(2) Latch Hook
Assemblies



(2) Keys

ASSEMBLY

Your new tractor has been assembled at the factory with exception of those parts left unassembled for shipping purposes. To ensure safe and proper operation of your tractor all parts and hardware you assemble must be tightened securely. Use the correct tools as necessary to insure proper tightness. Review the video cassette before you begin.

TOOLS REQUIRED FOR ASSEMBLY

A socket wrench set will make assembly easier. Standard wrench sizes you need are listed below.

- | | |
|-------------------|----------------------------------|
| (1) 9/16" wrench | (1) 3/4" Socket w/ drive ratchet |
| (2) 1/2" wrench | (1) Phillips Screwdriver |
| (1) Utility knife | (1) Tire pressure gauge |
| (1) Pliers | |

When right or left hand is mentioned in this manual, it means, from your point of view, when you are in the operating position (seated behind the steering wheel).

TO REMOVE TRACTOR FROM CARTON

UNPACK CARTON

- Remove all accessible loose parts and parts boxes from shipping carton (See page 6).
- Cut, from top to bottom, along lines on all four corners of shipping carton, and lay panels flat.
- Check for any additional loose parts or boxes and remove.

BEFORE ROLLING TRACTOR OFF SKID

ATTACH STEERING WHEEL

ASSEMBLE EXTENSION SHAFT AND BOOT

- Slide extension shaft onto lower steering shaft. Align mounting holes in extension and lower shafts and install 5/16 hex bolt and locknut. Tighten securely.
- IMPORTANT:** Tighten bolt and nut securely to 18-22 ft. lbs. torque.

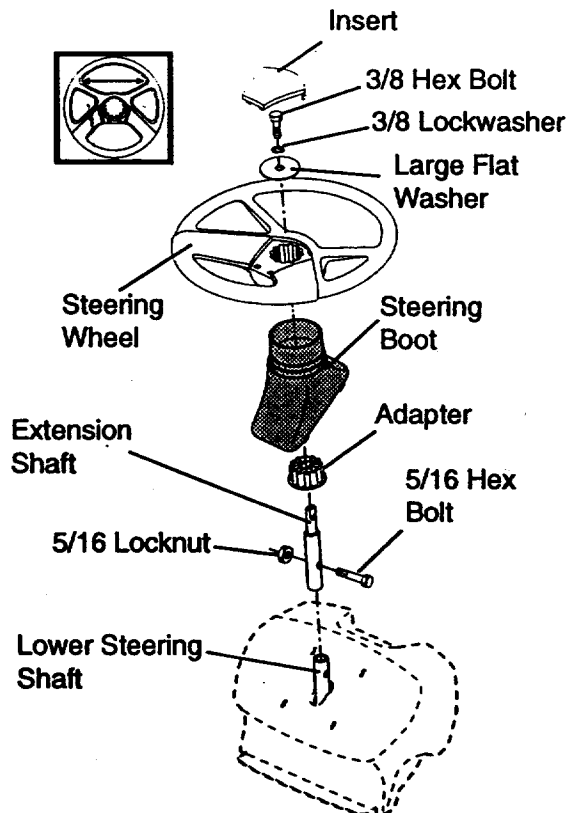
- Place tabs of steering boot over tab slots in dash and push down to secure.

INSTALL STEERING WHEEL

- Position front wheels of the tractor so they are pointing straight forward.
- Slide steering wheel adapter onto steering shaft extension.
- Position steering wheel so cross bars are horizontal (left to right) and slide

- inside boot and onto adapter.
- Assemble large flat washer, 3/8 lock washer, 3/8 hex bolt and tighten securely.
- Snap steering wheel insert into center of steering wheel.
- Remove protective materials from tractor hood and grill.

IMPORTANT: Check for and remove any staples in skid that may puncture tires where tractor is to roll off skid.



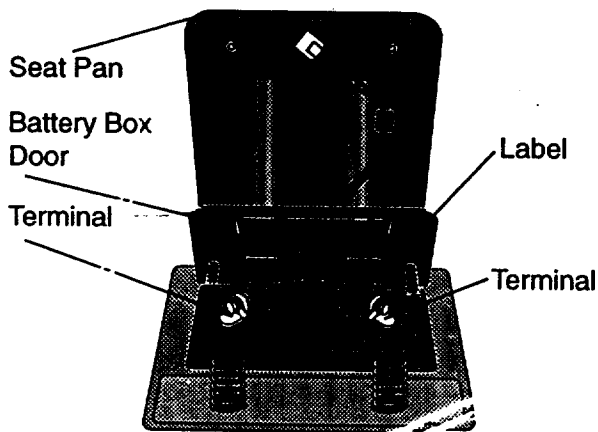
TO ROLL TRACTOR OFF SKID (See Operation section for location and function of controls)

- Press lift lever plunger and raise attachment lift lever to its highest position.
- Release parking brake by depressing clutch/brake pedal.
- Place gearshift lever in neutral (N) position.
- Roll tractor forward off skid.
- Remove banding holding discharge guard up against tractor.

HOW TO SET UP YOUR TRACTOR

CHECK BATTERY

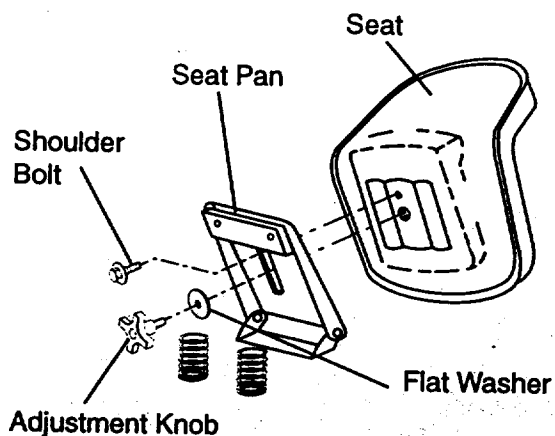
- Lift seat pan to raised position and open battery box door.
- If this battery is put into service after month and year indicated on label (label located between terminals) charge battery for minimum of one hour at 6-10 amps. (See "BATTERY" in MAINTENANCE section of this manual for charging instructions).



INSTALL SEAT

Adjust seat before tightening adjustment knob.

- Remove cardboard packing on seat pan.
- Place seat on seat pan and assemble shoulder bolt. Tighten shoulder bolt securely.
- Assemble adjustment knob and flat washer loosely. Do not tighten.
- Lower seat into operating position and sit on seat.
- Slide seat until a comfortable position is reached which allows you to press clutch/brake pedal all the way down.
- Get off seat without moving its adjusted position.
- Raise seat and tighten adjustment knob securely.



CHECK TIRE PRESSURE

The tires on your tractor were overinflated at the factory for shipping purposes. Correct tire pressure is important for best cutting performance.

- Reduce tire pressure to PSI shown in "PRODUCT SPECIFICATIONS" on page 5 of this manual.

CHECK DECK LEVELNESS

For best cutting results, mower housing should be properly leveled. See "TO LEVEL MOWER HOUSING" in the Service and Adjustments section of this manual.

CHECK FOR PROPER POSITION OF ALL BELTS

See the figures that are shown for replacing motion and mower blade drive belts in the Service and Adjustments section of this manual. Verify that the belts are routed correctly.

CHECK BRAKE SYSTEM

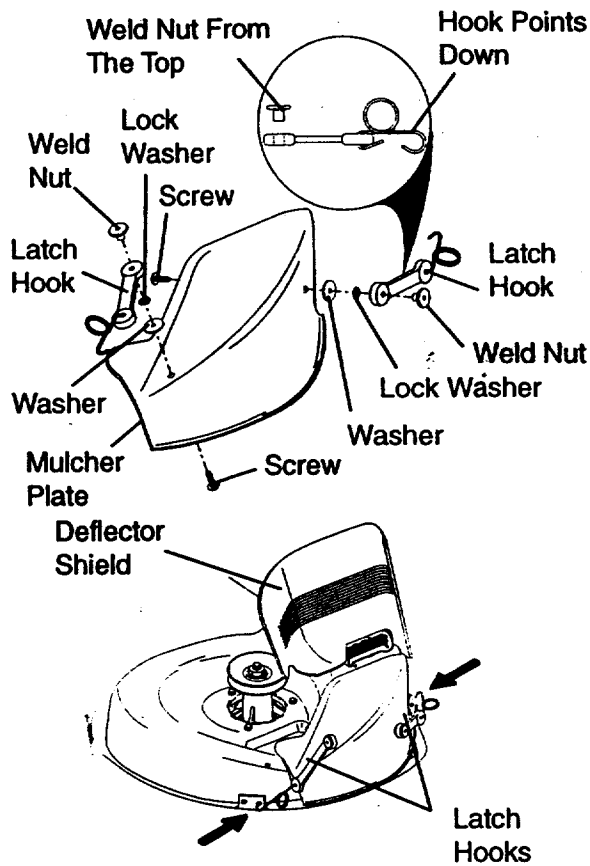
After you learn how to operate your tractor, check to see that the brake is properly adjusted. See "TO ADJUST BRAKE" in the Service and Adjustments section of this manual.

INSTALL MULCHER PLATE

- Install two latch hooks to mulcher plate using screw, washer, lock washer, and weld nut as shown.

NOTE: Pre-assemble weld nut to latch hook by inserting weld nut from the top with hook pointing down.

- Tighten hardware securely.
- Raise and hold deflector shield in up-right position.
- Place front of mulcher plate over front of mower deck opening and slide into place, as shown.
- Hook front latch into hole on front of mower deck.
- Hook rear latch into hole on back of mower deck.



CAUTION: Do not remove discharge guard from mower. Raise and hold guard when attaching mulcher plate and allow it to rest on plate while in operation.

TO CONVERT TO BAGGING OR DISCHARGING

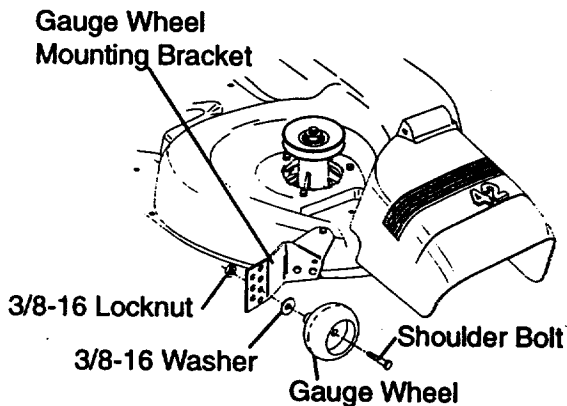
Simply remove mulcher plate and store in a safe place. Your mower is now ready for discharging or installation of optional grass catcher accessory.

NOTE: It is not necessary to change blades. The mulcher blades are designed for discharging and bagging also.

ASSEMBLE GAUGE WHEELS TO MOWER DECK

The gauge wheels are designed to keep the mower deck in proper position when operating mower. Be sure they are properly adjusted to ensure optimum mower performance.

- Assemble gauge wheels with tractor on a flat level surface.
- Adjust mower to desired cutting height (See "TO ADJUST MOWER CUTTING HEIGHT" in the Operation section of this manual).
- With mower in desired height of cut position, gauge wheels should be assembled so they are slightly off the ground. Install gauge wheel in appropriate hole with shoulder bolt, 3/8 washer, and 3/8-16 locknut and tighten securely.
- Repeat for opposite side installing gauge wheel in same adjustment hole.



✓CHECKLIST

Please review the following checklist:

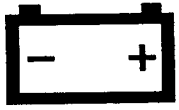
- ✓ All assembly instructions have been completed.
- ✓ No remaining loose parts in carton.
- ✓ Battery is properly prepared and charged. (Minimum 1 hour at 6 amps).
- ✓ Seat is adjusted comfortably and tightened securely.
- ✓ All tires are properly inflated. (For shipping purposes, the tires were overinflated at the factory).
- ✓ Be sure mower deck is properly leveled side-to-side/front-to-rear for best cutting results. (Tires must be properly inflated for leveling).
- ✓ Check mower and drive belts. Be sure they are routed properly around pulleys and inside all belt keepers.
- ✓ Check wiring. See that all connections are still secure and wires are properly clamped.

While learning how to use your tractor, pay extra attention to the following important items:

- ✓ Engine oil is at proper level.
- ✓ Fuel tank is filled with fresh, clean, regular unleaded gasoline.
- ✓ Become familiar with all controls - their location and function. Operate them before you start the engine.
- ✓ Be sure brake system is in safe operating condition.

OPERATION

These symbols may appear on your tractor or in literature supplied with the product. Learn and understand their meaning.



BATTERY



CAUTION OR WARNING



REVERSE



FORWARD



FAST



SLOW



ENGINE ON



ENGINE OFF



OIL PRESSURE



LIGHTS ON



OVER TEMP LIGHT



MOWER LIFT



FUEL



CHOKE



MOWER HEIGHT



PARKING BRAKE LOCKED



UNLOCKED



ATTACHMENT CLUTCH ENGAGED



REVERSE



NEUTRAL



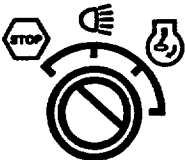
HIGH



LOW



PARKING BRAKE



IGNITION



ATTACHMENT CLUTCH DISENGAGED



KEEP AREA CLEAR



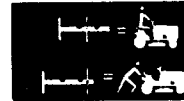
SLOPE HAZARDS



(SEE SAFETY RULES SECTION)



DANGER, KEEP HANDS AND FEET AWAY

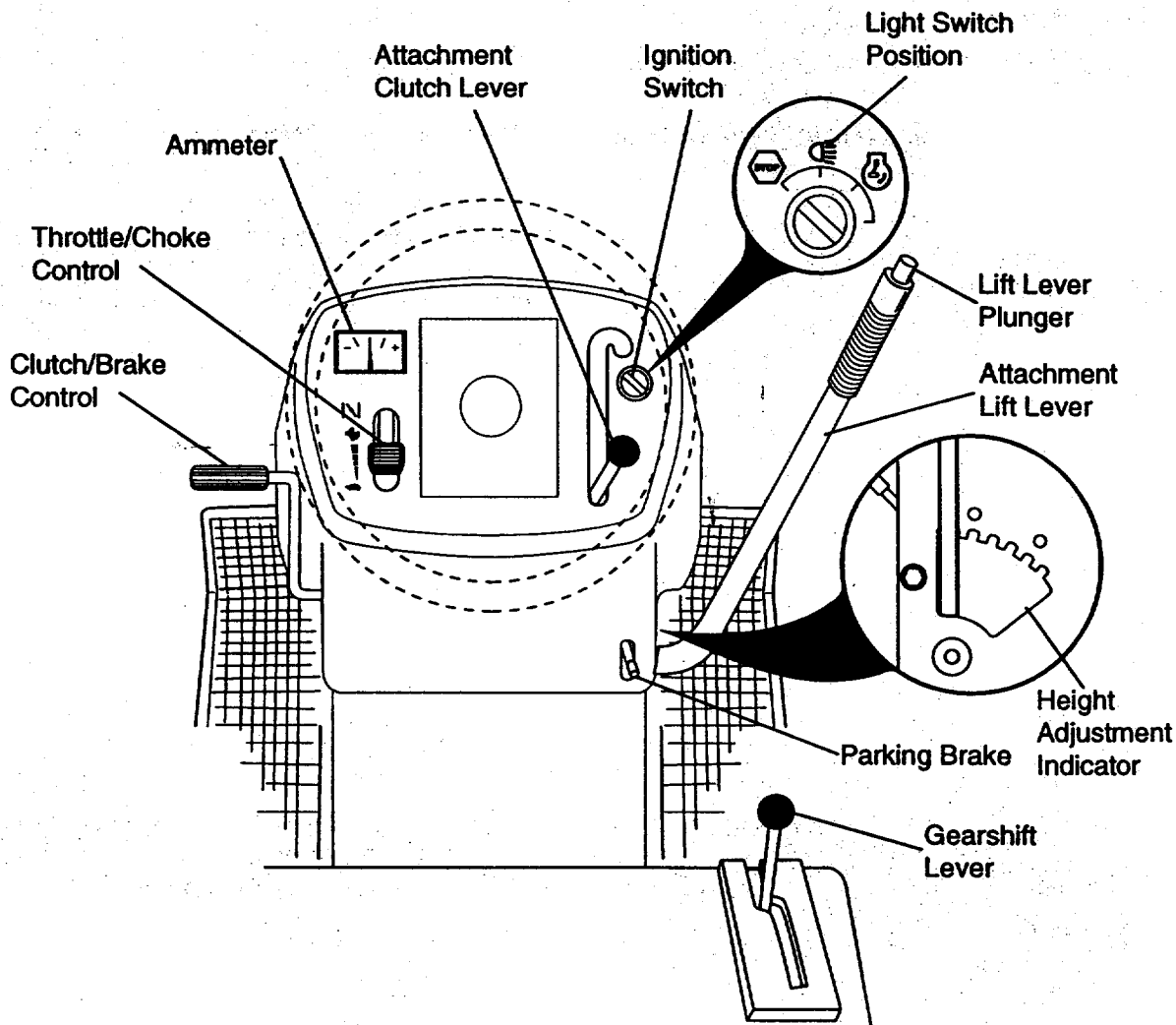


HYDROSTATIC FREE WHEEL (Hydro Models only)

KNOW YOUR TRACTOR

READ THIS OWNER'S MANUAL AND SAFETY RULES BEFORE OPERATING YOUR TRACTOR

Compare the illustrations with your tractor to familiarize yourself with the locations of various controls and adjustments. Save this manual for future reference.



Our tractors conform to the safety standards of the American National Standards Institute.

ATTACHMENT CLUTCH LEVER: Used to engage the mower blades, or other attachments mounted to your tractor.

LIGHT SWITCH: Turns the headlights on and off.

THROTTLE/CHOKE CONTROL: Used to control engine speed.

CLUTCH/BRAKE PEDAL: Used for declutching and braking the tractor and starting the engine.

GEARSHIFT LEVER: Selects the speed and direction of the tractor.

ATTACHMENT LIFT LEVER: Used to raise and lower the mower deck or other attachments mounted to your tractor.

LIFT LEVER PLUNGER: Used to release attachment lift lever when changing its position.

IGNITION SWITCH: Used for starting and stopping the engine.

AMMETER: Indicates battery charging (+) or discharging (-).

PARKING BRAKE: Locks clutch/brake into the brake position.



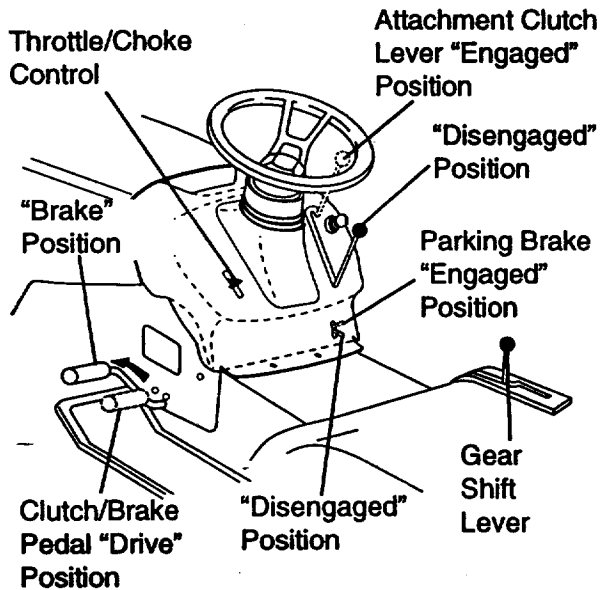
The operation of any tractor can result in foreign objects thrown into the eyes, which can result in severe eye damage. Always wear safety glasses or eye shields while operating your tractor or performing any adjustments or repairs. We recommend a wide vision safety mask over spectacles, or standard safety glasses.

HOW TO USE YOUR TRACTOR

Your tractor is equipped with an operator presence sensing switch. When engine is running, any attempt by the operator to leave the seat without first setting the parking brake will shut off the engine.

TO SET PARKING BRAKE

- Depress clutch/brake pedal into full "BRAKE" position and hold.
- Place parking brake lever in "EN-GAGED" position and release pressure from clutch/brake pedal. Pedal should remain in "BRAKE" position. Make sure parking brake will hold tractor secure.



STOPPING

MOWER BLADES -

- To stop mower blades, move attachment clutch lever to "DISENGAGED" position.

GROUND DRIVE -

- To stop ground drive, depress clutch/brake pedal into full "BRAKE" position.
- Move gearshift lever to neutral (N) position.

ENGINE -

- Move throttle control to slow position.

NOTE: Failure to move throttle control to slow position and allowing engine to idle before stopping may cause engine to "back-fire"

- Turn ignition key to "OFF" position and

remove key. Always remove key when leaving tractor to prevent unauthorized use.

- Never use choke to stop engine.

IMPORTANT: Leaving the ignition switch in any position other than "OFF" will cause the battery to be discharged, (dead).

NOTE: Under certain conditions when tractor is standing idle with the engine running, hot engine exhaust gases may cause "browning" of grass. To eliminate this possibility, always stop engine when stopping tractor on grass areas.

▲ CAUTION: Always stop tractor completely, as described above, before leaving the operator's position; to empty grass catcher, etc.

THROTTLE CONTROL

Always operate engine at full throttle.

- Operating engine at less than full throttle reduces the battery charging rate.
- Full throttle offers the best bagging and mower performance.

TO MOVE FORWARD AND BACKWARD

The direction and speed of movement is controlled by the gearshift lever.

- Start tractor with clutch/brake pedal depressed and gearshift lever in neutral (N) position.
- Move gearshift lever to desired position.
- Slowly release clutch/brake pedal to start movement.

IMPORTANT: Bring tractor to a complete stop before shifting or changing gears. Failure to do so will shorten the useful life of your transaxle.

TO ADJUST MOWER CUTTING HEIGHT

The position of the attachment lift lever determines the cutting height.

- Grasp lift lever.
- Press plunger with thumb and move lever to desired position.

The cutting height range is approximately 1-1/2 to 4". The heights are measured from the ground to the blade tip with the engine not running. These heights are approximate and may vary depending upon soil conditions, height of grass and types of grass being mowed.

- The average lawn should be cut to approxi-

mately 2-1/2 inches during the cool season and to over 3 inches during hot months. For healthier and better looking lawns, mow often and after moderate growth.

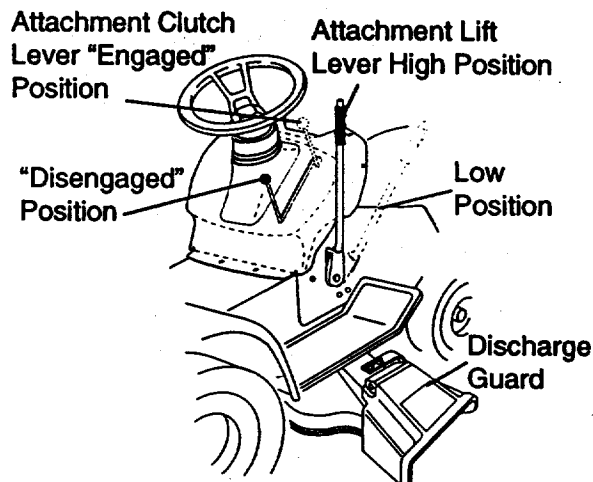
- For best cutting performance, grass over 6 inches in height should be mowed twice. Make the first cut relatively high; the second to desired height.

TO OPERATE MOWER

Your tractor is equipped with an operator presence sensing switch. Any attempt by the operator to leave the seat with the engine running and the attachment clutch engaged will shut off the engine.

- Select desired height of cut.
- Start mower blades by engaging attachment clutch control.
- TO STOP MOWER BLADES - disengage attachment clutch control.

▲ CAUTION: Do not operate the mower without either the entire grass catcher, on mowers so equipped, or the discharge guard in place.



TO OPERATE ON HILLS

▲ CAUTION: Do not drive up or down hills with slopes greater than 15° and do not drive across any slope.

- Choose the slowest speed before starting up or down hills.
- Avoid stopping or changing speed on hills.
- If slowing is necessary, move throttle control lever to slower position.
- If stopping is absolutely necessary, push clutch/brake pedal quickly to brake position and engage parking brake.
- Move gearshift lever to 1st gear. Be sure you have allowed room for tractor to roll slightly as you restart movement.
- To restart movement, slowly release parking brake and clutch/brake pedal.
- Make all turns slowly.

TO TRANSPORT

- Raise attachment lift to highest position with attachment lift control.
- When pushing or towing your tractor, be sure gearshift lever is in neutral (N) position.
- Do not push or tow tractor at more than five (5) MPH.

NOTE: To protect hood from damage when transporting your tractor on a truck or a trailer, be sure hood is closed and secured to tractor. Use an appropriate means of tying hood to tractor (rope, cord, etc.).

TOWING CARTS AND OTHER ATTACHMENTS

Tow only the attachments that are recommended by and comply with specifications of the manufacturer of your tractor. Use common sense when towing. Too heavy of a load, while on a slope, is dangerous. Tires can lose traction with the ground and cause you to lose control of your tractor.

BEFORE STARTING THE ENGINE

CHECK ENGINE OIL LEVEL

- The engine in your tractor has been shipped, from the factory, already filled with summer weight oil.
- Check engine oil with tractor on level ground.
- Unthread and remove oil fill cap/dipstick; wipe oil off. Reinsert the dipstick into the tube and rest oil fill cap on the tube. Do not thread the cap onto the tube. Remove and read oil level. If necessary, add oil until "FULL" mark on dipstick is reached. Do not overfill.
- For cold weather operation you should change oil for easier starting (See "OIL VISCOSITY CHART" in the Customer Responsibilities section of this manual).
- To change engine oil, see the Customer Responsibilities section in this manual.

ADD GASOLINE

- Fill fuel tank. Use fresh, clean, regular unleaded gasoline with a minimum of 87 octane. (Use of leaded gasoline will increase carbon and lead oxide deposits and reduce valve life). Do not mix oil with gasoline. Purchase fuel in quantities that can be used within 30 days to assure fuel freshness.

IMPORTANT: When operating in temperatures below 32°F(0°C), use fresh, clean winter grade gasoline to help insure good cold weather starting.

▲WARNING: Experience indicates that alcohol blended fuels (called gasohol or using ethanol or methanol) can attract moisture which leads to separation and formation of acids during storage. Acidic gas can damage the fuel system of an engine while in storage. To avoid engine problems, the fuel system should be emptied before storage of 30 days or longer. Drain the gas tank, start the engine and let it run until the fuel lines and carburetor are empty. Use fresh fuel next season. See Storage Instructions for additional information. Never use engine or carburetor cleaner products in the fuel tank or permanent damage may occur.

▲CAUTION: Fill to bottom of gas tank filler neck. Do not overfill. Wipe off any spilled oil or fuel. Do not store, spill or use gasoline near an open flame.

TO START ENGINE

When starting the engine for the first time or if the engine has run out of fuel, it will take extra cranking time to move fuel from the tank to the engine.

- Sit on seat in operating position, depress clutch/brake pedal and set parking brake.
- Place gear shift lever in neutral (N) position.
- Move attachment clutch to "DISENGAGED" position.
- Move throttle control to choke position.

NOTE: Before starting, read the warm and cold starting procedures below.

- Insert key into ignition and turn key clockwise to "START" position and release key as soon as engine starts. Do not run starter continuously for more than fifteen seconds per minute. If the engine does not start after several attempts, move throttle control to fast position, wait a few minutes and try again. If engine still does not start, move the throttle control back to the choke position and retry.

WARM WEATHER STARTING (50° F AND ABOVE)

- When engine starts, move the throttle control to the fast position.
- The attachments and ground drive can now be used. If the engine does not accept the load, restart the engine and allow it to warm up for one minute using the choke as described above.

COLD WEATHER STARTING (50° F AND BELOW)

- When engine starts, allow engine to run with the throttle control in the choke position until the engine runs roughly, then move throttle control to fast position. This may require an engine warm-up period from several seconds to several minutes, depending on the temperature.
- The attachments can also be used during the engine warm-up period.

NOTE: If at a high altitude (above 3000 feet) or in cold temperatures (below 32 F) the carburetor fuel mixture may need to be adjusted for best engine performance. See "TO ADJUST CARBURETOR" in the Service and Adjustments section of this manual.

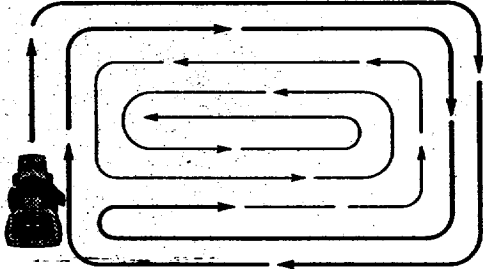
MOWING TIPS

- Tire chains cannot be used when the mower housing is attached to tractor.
- Mower should be properly leveled for best mowing performance. See "TO LEVEL MOWER HOUSING" in the Service and Adjustments section of this manual.
- The left hand side of mower should be used for trimming.
- Drive so that clippings are discharged onto the area that has been cut. Have the cut area to the right of the tractor. This will result in a more even distribution of clippings and more uniform cutting.
- When mowing large areas, start by turning to the right so that clippings will discharge away from shrubs, fences, driveways, etc. After one or two rounds, mow in the opposite direction making left hand turns until finished.
- If grass is extremely tall, it should be mowed twice to reduce load and possible fire hazard from dried clippings. Make first cut relatively high; the second to the desired height.
- Do not mow grass when it is wet. Wet grass will plug mower and leave undesirable clumps. Allow grass to dry before mowing.
- Always operate engine at full throttle when mowing to assure better mowing performance and proper discharge of material. Regulate ground speed by selecting a low enough gear to give the mower the best cutting performance as well as the quality of cut desired.
- When operating attachments, select a ground speed that will suit the terrain and give best performance of the attachment being used.

MULCHING MOWING TIPS

IMPORTANT: For best performance, keep mower housing free of built-up grass and trash. Clean after each use.

- The special mulching blade will recut the grass clippings many times and reduce them in size so that as they fall onto the lawn they will disperse into the grass and not be noticed. Also, the mulched grass will biodegrade quickly to provide nutrients for the lawn. Always mulch with your highest

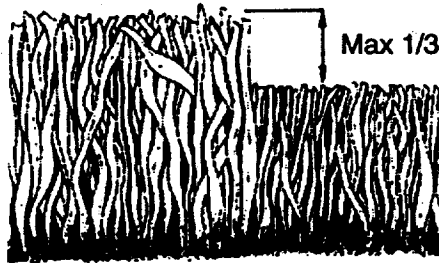


engine (blade) speed as this will provide the best recutting action of the blades.

- Avoid cutting your lawn when it is wet. Wet grass tends to form clumps and interferes with the mulching action. The best time to mow your lawn is the early afternoon. At this time the grass has dried and the newly cut area will not be exposed to the direct sun.
- For best results, adjust the mower cutting height so that the mower cuts off only the top one-third of the grass blades. For extremely heavy mulching, reduce your width of cut on each pass and mow slowly.
- Certain types of grass and grass conditions may require that an area be mulched a second time to completely hide the clippings. When doing a second cut, mow

across or perpendicular to the first cut path.

- Change your cutting pattern from week to week. Mow north to south one week then change to east to west the next week. This will help prevent matting and graining of the lawn.



MAINTENANCE

CUSTOMER RESPONSIBILITIES

| MAINTENANCE SCHEDULE | | SERVICE INTERVALS | | | | | | | SERVICE DATES | | | | |
|----------------------|---|-------------------|---------------|--------------------|----------------|------------------|--------------|----------------|---------------|---|--|--|--|
| | | BEFORE EACH USE | EVERY 8 HOURS | EVERY 25 HOURS | EVERY 50 HOURS | EVERY 100 HOURS | EVERY SEASON | BEFORE STORAGE | | | | | |
| TRACTOR | Check Brake Operation | ✓ | ✓ | | | | | | | | | | |
| | Check Tire Pressure | ✓ | ✓ | | | | | | | | | | |
| | Check Operator Presence and Interlock Systems | ✓ | | | | | | | | | | | |
| | Check for Loose Fasteners | ✓ | | | | ✓ ⁷ | | ✓ | | | | | |
| | Sharpen/Replace Mower Blades | | | ✓ ⁴ | | | | | | | | | |
| | Lubrication Chart | | | ✓ | | | | ✓ | | | | | |
| | Check Battery Level | | | ✓ ⁶ | | | | | | | | | |
| | Clean Battery and Terminals | | | ✓ | | | | ✓ | | | | | |
| | Check Transaxle Cooling | | | ✓ | | | | | | | | | |
| | Adjust Blade Belt(s) Tension | | | | | ✓ ⁵ | | | | | | | |
| | Adjust Motion Drive Belt(s) Tension | | | | | ✓ ⁵ | | | | | | | |
| ENGINE | Check Engine Oil Level | ✓ | ✓ | | | | | | | ✓ | | | |
| | Change Engine Oil | | | ✓ ^{1,2,3} | | | | | | ✓ | | | |
| | Clean Air Filter | | | ✓ ² | | | | | | | | | |
| | Clean Air Screen | | | ✓ ² | | | | | | | | | |
| | Inspect Muffler/Spark Arrester | | | | ✓ | | | | | | | | |
| | Replace Oil Filter (If equipped) | | | | | ✓ ^{1,2} | | | | | | | |
| | Clean Engine Cooling Fins | | | | | ✓ ² | | | | | | | |
| | Replace Spark Plug | | | | | ✓ | | ✓ | | | | | |
| | Replace Air Filter Paper Cartridge | | | | | ✓ ² | | | | | | | |
| | Replace Fuel Filter | | | | | | | ✓ | | | | | |

- 1 - Change more often when operating under a heavy load or in high ambient temperatures.
 2 - Service more often when operating in dirty or dusty conditions.
 3 - If equipped with oil filter, change oil every 50 hours.
 4 - Replace blades more often when mowing in sandy soil.
 5 - If equipped with adjustable system.
 6 - Not required if equipped with maintenance-free battery.
 7 - Tighten front axle pivot bolt to 35 ft.-lbs. maximum. Do not overtighten.

GENERAL RECOMMENDATIONS

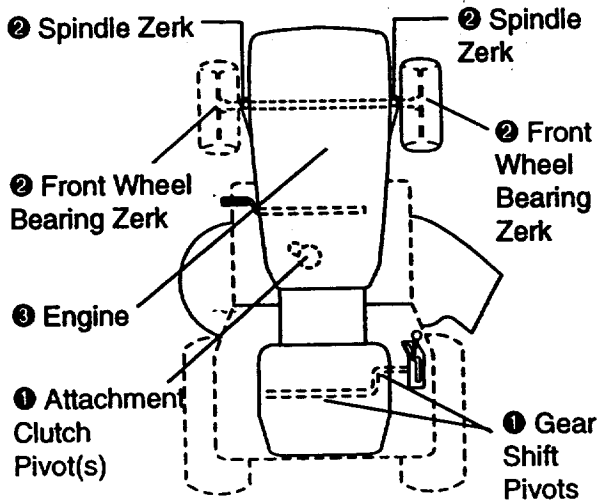
The warranty on this tractor does not cover items that have been subjected to operator abuse or negligence. To receive full value from the warranty, operator must maintain tractor as instructed in this manual. Some adjustments will need to be made periodically to properly maintain your tractor. All adjustments in the Service and Adjustments section of this manual should be checked at least once each season.

- Once a year you should replace the spark plug, clean or replace air filter, and check blades and belts for wear. A new spark plug and clean air filter assure proper air-fuel mixture and help your engine run better and last longer.

BEFORE EACH USE

- Check engine oil level.
- Check brake operation.
- Check tire pressure.
- Check operator presence and interlock systems for proper operation.
- Check for loose fasteners.

LUBRICATION CHART



- 1 SAE 30 or 10w30 Motor OIL
- 2 General Purpose Grease
- 3 Refer to Maintenance "Engine" Section

IMPORTANT: Do not oil or grease the pivot points which have special nylon bearings. Viscous lubricants will attract dust and dirt that will shorten the life of the self-lubricating bearings. If you feel they must be lubricated, use only a dry, powdered graphite type lubricant sparingly.

TRACTOR

Always observe safety rules when performing any maintenance.

BRAKE OPERATION

If tractor requires more than six (6) feet stopping distance at high speed in highest gear, then brake must be adjusted. (See "TO ADJUST BRAKE" in the Service and Adjustments section of this manual).

TIRES

- Maintain proper air pressure in all tires (See "PRODUCT SPECIFICATIONS" on page 3 of this manual).
- Keep tires free of gasoline, oil, or insect control chemicals which can harm rubber.
- Avoid stumps, stones, deep ruts, sharp objects and other hazards that may cause tire damage.

NOTE: To seal tire punctures and prevent flat tires due to slow leaks, tire sealant may be purchased from your local parts dealer. Tire sealant also prevents tire dry rot and corrosion.

OPERATOR PRESENCE SYSTEM

Be sure that operator presence and interlock systems are working properly. If your tractor does not function as described below, repair the problem immediately.

- The engine should not start unless the clutch/brake pedal is fully depressed and attachment clutch control is in the disengaged position.
- When the engine is running, any attempt by the operator to leave the seat without first setting the parking brake should shut off the engine.
- When the engine is running and the attachment clutch is engaged, any attempt by the operator to leave the seat should shut off the engine.
- The attachment clutch should never operate unless the operator is in the seat.

BLADE CARE

For best results mower blades must be kept sharp. Replace bent or damaged blades.

BLADE REMOVAL

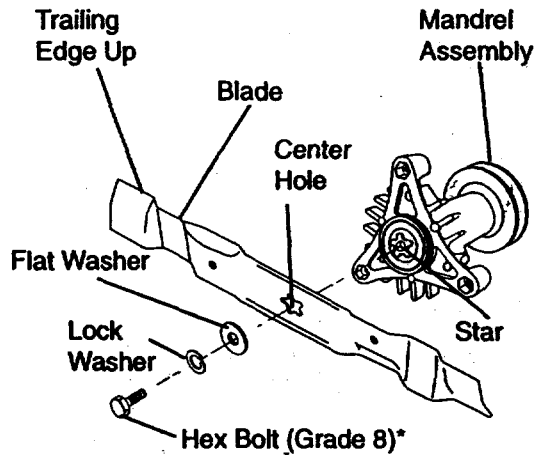
- Raise mower to highest position to allow access to blades.
- Remove hex bolt, lock washer and flat washer securing blade.
- Install new or resharpened blade with trailing edge up towards deck as shown.

IMPORTANT: To ensure proper assembly, center-hole of blade must align with star on mandrel assembly.

- Reassemble hex bolt, lock washer and flat

washer in exact order as shown.

- Tighten bolt securely (27-35 Ft. Lbs. torque).
- IMPORTANT:** Blade bolt is grade 8 heat treated.



*A Grade 8 heat treated bolt can be identified by six lines on the bolt head.

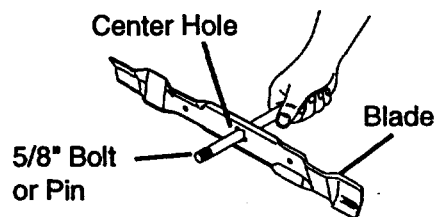
TO SHARPEN BLADE

NOTE: We do not recommend sharpening blade but if you do, be sure the blade is balanced.

Care should be taken to keep the blade balanced. An unbalanced blade will cause excessive vibration and eventual damage to mower and engine.

- The blade can be sharpened with a file or on a grinding wheel. Do not attempt to sharpen while on the mower.
- To check blade balance, you will need a 5/8" diameter steel bolt, pin, or a cone balancer. (When using a cone balancer, follow the instructions supplied with balancer.)
- Slide blade on to an unthreaded portion of the steel bolt or pin and hold the bolt or pin parallel with the ground. If blade is balanced, it should remain in a horizontal position. If either end of the blade moves downward, sharpen the heavy end until the blade is balanced.

NOTE: Do not use a nail for balancing blade. The lobes of the center hole may appear to be centered, but are not.



BATTERY

Your tractor has a battery charging system which is sufficient for normal use.

However, periodic charging of the battery with an automotive charger will extend its life.

- Keep battery and terminals clean.
- Keep battery bolts tight.
- Keep small vent holes open.
- Recharge at 6-10 amperes for 1 hour.

TO CLEAN BATTERY AND TERMINALS

Corrosion and dirt on the battery and terminals can cause the battery to "leak" power.

- Open battery box door.
- Disconnect BLACK battery cable first then RED battery cable and remove battery from tractor.
- Rinse the battery with plain water and dry.
- Clean terminals and battery cable ends with wire brush until bright.
- Coat terminals with grease or petroleum jelly.
- Reinstall battery (See "REPLACING BATTERY" in the SERVICE AND ADJUSTMENTS section of this manual)

V-BELTS

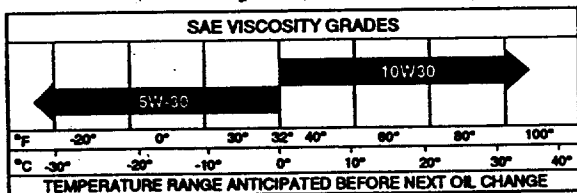
Check V-belts for deterioration and wear after 100 hours of operation and replace if necessary. The belts are not adjustable. Replace belts if they begin to slip from wear.

TRANSAXLE COOLING

Keep transaxle free from build-up of dirt and chaff which can restrict cooling.

ENGINE LUBRICATION

Only use high quality detergent oil rated with API service classification SF, SG, or SH. Select the oil's SAE viscosity grade



according to your expected operating temperature.

Change the oil after every 50 hours of operation or at least once a year if the tractor is not used for 50 hours in one year.

Check the crankcase oil level before starting the engine and after each eight (8) hours of operation. Tighten oil fill cap/dipstick securely each time you check the oil level.

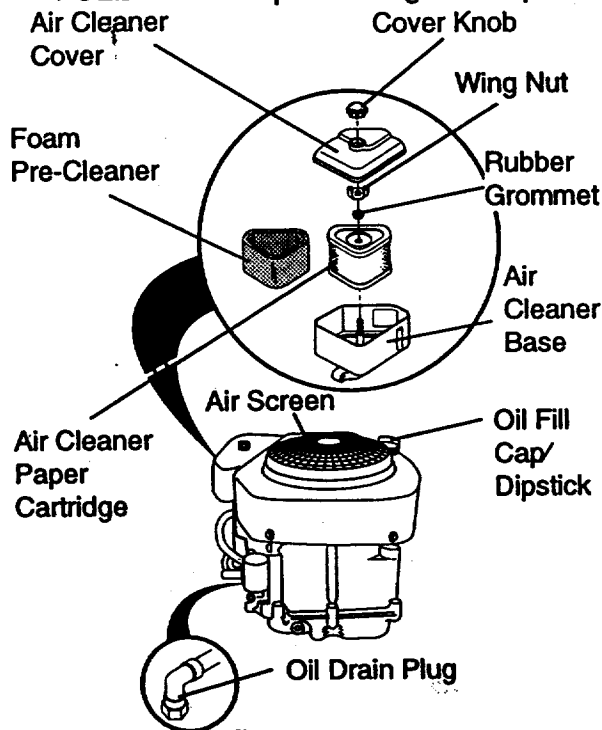
TO CHANGE ENGINE OIL

Determine temperature range expected before oil change. All oil must meet API service classification SF, SG, or SH.

- Be sure tractor is on level surface.

- Oil will drain more freely when warm.
- Catch oil in a suitable container.
- Remove oil fill cap/dipstick. Be careful not to allow dirt to enter the engine when changing oil.
- Remove drain plug.
- After oil has drained completely, replace oil drain plug and tighten securely.
- Refill engine with oil through oil fill dipstick tube. Pour slowly. Do not overfill. For approximate capacity see "PRODUCT SPECIFICATIONS" on page 5 of this manual.

- Use gauge on oil fill cap/dipstick for checking level. Insert dipstick into the tube and rest the oil fill cap on the tube. Do not thread the cap onto the tube when taking reading. Keep oil at "FULL" line on dipstick. Tighten cap



onto the tube securely when finished.

CLEAN AIR SCREEN

Air screen must be kept free of dirt and chaff to prevent engine damage from overheating. Clean with a wire brush or compressed air to remove dirt and stubborn dried gum fibers.

AIR FILTER

Your engine will not run properly using a dirty air filter. Clean the foam pre-cleaner after every 25 hours of operation or every season. Service paper cartridge every 100 hours of operation or every season, whichever occurs first.

Service air cleaner more often under dusty

conditions.

- Remove knob and cover.
- Remove wing nut and air cleaner from base.

TO SERVICE PRE-CLEANER

- Slide foam pre-cleaner off cartridge.
- Wash it in liquid detergent and water.
- Squeeze it dry in a clean cloth. Allow it to dry.
- Saturate it in engine oil. Wrap it in clean, absorbent cloth and squeeze to remove excess oil.

TO SERVICE CARTRIDGE

- Replace a dirty, bent, or damaged cartridge.

NOTE: Do not wash the paper cartridge or use pressurized air, as this will damage the cartridge.

- Reinstall the pre-cleaner (cleaned and oiled) over the paper cartridge.
- Reassemble air cleaner, wing nut, cover and tighten knob securely.

CLEAN AIR INTAKE/COOLING AREAS

To insure proper cooling, make sure the grass screen, cooling fins, and other external surfaces of the engine are kept clean at all times.

Every 100 hours of operation (more often under extremely dusty, dirty conditions), remove the blower housing and other cooling shrouds. Clean the cooling fins and external surfaces as necessary. Make sure the cooling shrouds are reinstalled.

NOTE: Operating the engine with a blocked grass screen, dirty or plugged cooling fins, and/or cooling shrouds removed will cause engine damage due to overheating.

MUFFLER

Inspect and replace corroded muffler and spark arrester (if equipped) as it could create a fire hazard and/or damage.

SPARK PLUGS

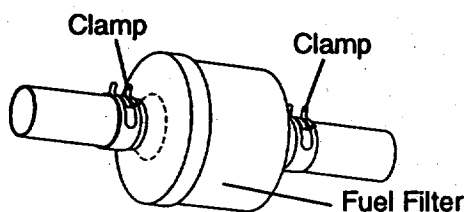
Replace spark plugs at the beginning of each mowing season or after every 100 hours of operation, whichever occurs first. Spark plug type and gap setting are shown in "PRODUCT SPECIFICATIONS" on page 5 of this manual.

IN-LINE FUEL FILTER

The fuel filter should be replaced once each season. If fuel filter becomes clogged, obstructing fuel flow to carburetor, replacement is required.

- With engine cool, remove filter and plug fuel line sections.
- Place new fuel filter in position in fuel line with arrow pointing towards carburetor.
- Be sure there are no fuel line leaks and clamps are properly positioned.
- Immediately wipe up any spilled gasoline.

CLEANING



- Clean engine, battery, seat, finish, etc. of all foreign matter.
- Keep finished surfaces and wheels free of all gasoline, oil, etc.
- Protect painted surfaces with automotive type wax.

We do not recommend using a garden hose to clean your tractor unless the electrical system, muffler, air filter and carburetor are covered to keep water out. Water in engine can result in a shortened engine life.

SERVICE AND ADJUSTMENTS

▲ CAUTION: Before performing any service or adjustments:

- Depress clutch/brake pedal fully and set parking brake.
- Place gearshift lever in neutral (N) position.
- Place attachment clutch in "DISENGAGED" position.
- Turn ignition key "OFF" and remove key.
- Make sure the blades and all moving parts have completely stopped.
- Disconnect spark plug wire from spark plug and place wire where it cannot come in contact with plug.

TO REMOVE MOWER

Mower will be easier to remove from the right side of tractor.

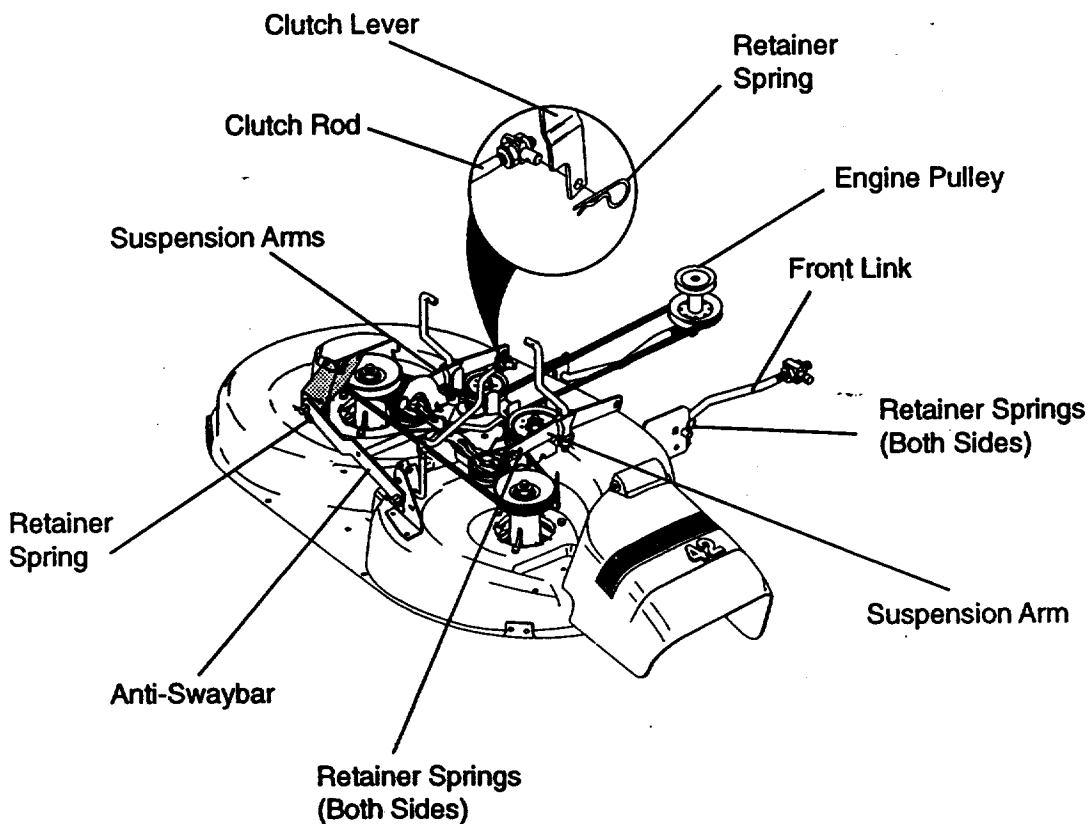
- Place attachment clutch in "DISENGAGED" position.
- Move attachment lift lever forward to lower mower to its lowest position.
- Roll belt off engine pulley.
- Disconnect clutch rod from clutch lever by removing retainer spring.
- Disconnect anti-swaybar from chassis bracket by removing retainer spring.
- Disconnect suspension arms from rear deck brackets by removing retainer springs.

- Disconnect front links from deck by removing retainer springs.
- Raise lift lever to raise suspension arms. Slide mower out from under tractor.

IMPORTANT: If an attachment other than the mower deck is to be mounted on the tractor, remove the front links.

TO INSTALL MOWER

- Raise attachment lift lever to its highest position.
- Slide mower under tractor with discharge guard to right side of tractor.
- Lower lift lever to its lowest position.
- Install mower in reverse order of removal instructions.



TO LEVEL MOWER HOUSING

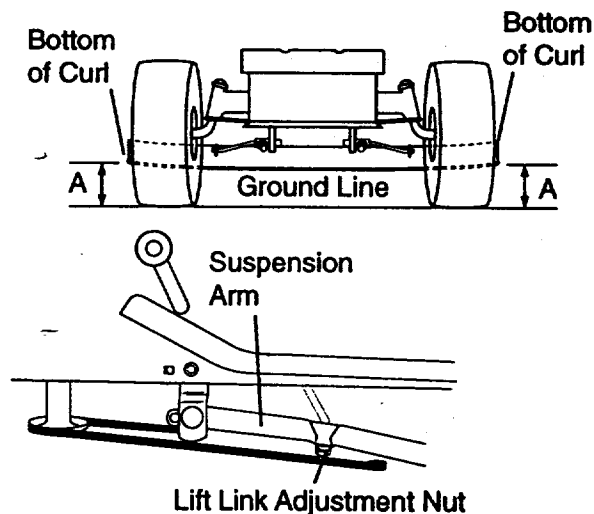
Adjust the mower while tractor is parked on level ground or driveway. Make sure tires are properly inflated (See "PRODUCT SPECIFICATIONS"). If tires are over or underinflated, you will not properly adjust your mower.

SIDE-TO-SIDE ADJUSTMENT

- Raise mower to its highest position.
- At the midpoint of both sides of mower, measure height from bottom edge of mower to ground. Distance "A" on both sides of mower should be the same or within 1/4" of each other.
- If adjustment is necessary, make adjustment on one side of mower only.
- To raise one side of mower, tighten lift link adjustment nut on that side.
- To lower one side of mower, loosen lift link adjustment nut on that side.

NOTE: Each full turn of adjustment nut will change mower height about 1/8".

- Recheck measurements after adjusting.



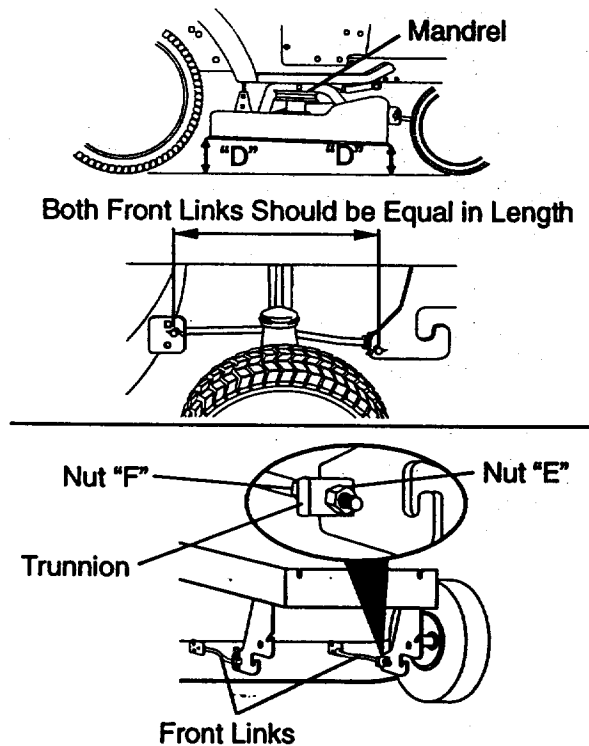
FRONT-TO-BACK ADJUSTMENT

IMPORTANT: Deck must be level side-to-side. If the following front-to-back adjustment is necessary, be sure to adjust both front links equally so mower will stay level side-to-side.

To obtain the best cutting results, the mower housing should be adjusted so that the front is approximately 1/8" to 1/2" lower than the rear when the mower is in its highest position.

Check adjustment on right side of tractor. Measure distance "D" directly in front and behind the mandrel at bottom edge of mower housing as shown.

- Before making any necessary adjustments, check that both front links are equal in length. Both links should be approximately 10-3/8".
- If links are not equal in length, adjust one link to same length as other link.
- To lower front of mower loosen nut "E" on both front links an equal number of turns.
- When distance "D" is 1/8" to 1/2" lower at front than rear, tighten nuts "F" against trunnion on both front links.
- To raise front of mower, loosen nut "F" from trunnion on both front links. Tighten nut "E" on both front links an equal number of turns.
- When distance "D" is 1/8" to 1/2" lower at front than rear, tighten nut "F" against trunnion on both front links.
- Recheck side-to-side adjustment.



TO REPLACE MOWER BLADE DRIVE BELT

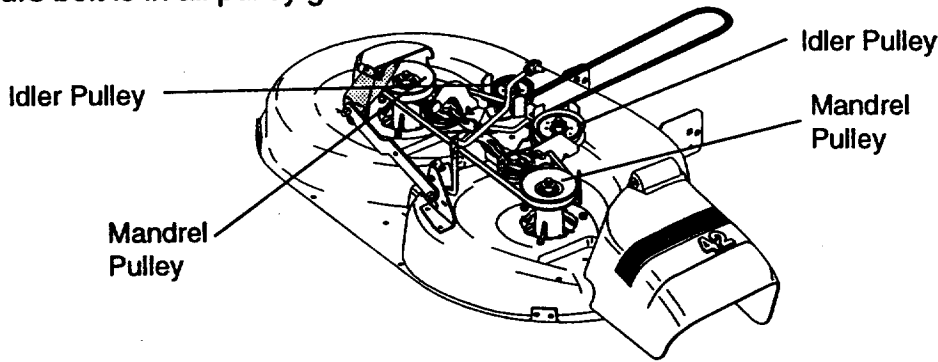
The mower blade drive belt may be replaced without tools. Park the tractor on level surface. Engage parking brake.

BELT REMOVAL -

- Remove mower from tractor (See "TO REMOVE MOWER" in this section of this manual).
- Work belt off both mandrel pulleys and idler pulleys.
- Pull belt away from mower.

BELT INSTALLATION -

- Install new belt in reverse order of removal.
- Make sure belt is in all pulley grooves



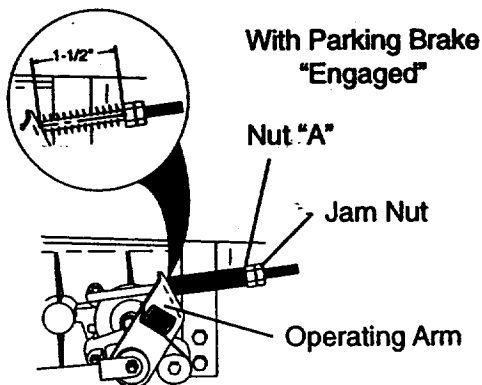
- and inside all belt guides.
- Install mower in reverse order of removal instructions.

TO ADJUST BRAKE

Your tractor is equipped with an adjustable brake system which is mounted on the right side of the transaxle.

If tractor requires more than six (6) feet stopping distance at high speed in highest gear, then brake must be adjusted.

- Depress clutch/brake pedal and engage parking brake.
- Measure distance between brake operating arm and nut "A" on brake rod.
- If distance is other than 1-1/2", loosen jam nut and turn nut "A" until distance becomes 1-1/2". Retighten jam nut against nut "A".
- Road test tractor for proper stopping distance as stated above. Readjust if necessary. If stopping distance is still greater than six (6) feet in highest gear, further maintenance is necessary. Contact your nearest authorized service center/department.

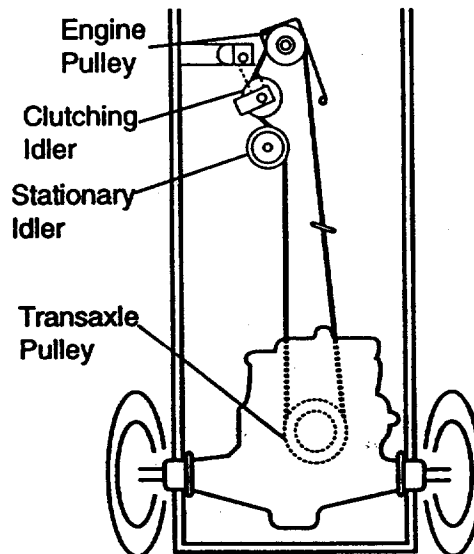


TO REPLACE MOTION DRIVE BELT

Park the tractor on level surface. Engage parking brake. For assistance, there is a belt installation guide decal on bottom side of left footrest.

- Remove mower (See "TO REMOVE MOWER" in this section of this manual.)

- Remove belt from stationary idler and clutching idler.
- Pull belt slack toward rear of tractor. Remove belt upwards from transaxle pulley by deflecting belt keepers.
- Pull belt toward front of tractor and remove downwards from around engine pulley.
- Install new belt by reversing above procedure.



TO ADJUST STEERING WHEEL ALIGNMENT

If steering wheel crossbars are not horizontal (left to right) when wheels are positioned straight forward, remove steering wheel and reassemble per instructions in the Assembly section of this manual.

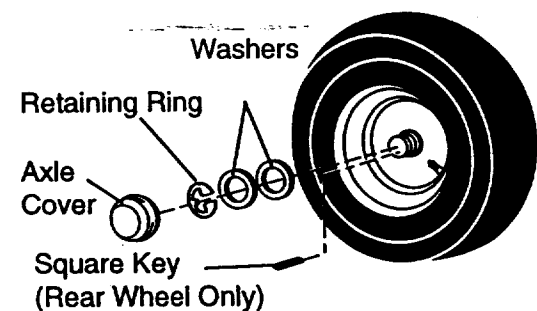
FRONT WHEEL TOE-IN/CAMBER

The front wheel toe-in and camber are not adjustable on your tractor. If damage has occurred to affect the front wheel toe-in or camber, contact your nearest authorized service center.

TO REMOVE WHEEL FOR REPAIRS

- Block up axle securely.
- Remove axle cover, retaining ring and washers to allow wheel removal (rear wheel contains a square key - Do not lose).
- Repair tire and reassemble.
- On rear wheels only: align grooves in rear wheel hub and axle. Insert square key.
- Replace washers and snap retaining ring securely in axle groove.
- Replace axle cover.

NOTE: To seal tire punctures and prevent flat tires due to slow leaks, tire sealant may be purchased from your local parts dealer. Tire sealant also prevents tire dry rot and corrosion.



TO START ENGINE WITH A WEAK BATTERY

▲CAUTION: Lead-acid batteries generate explosive gases. Keep sparks, flame and smoking materials away from batteries. Always wear eye protection when around batteries.

If your battery is too weak to start the engine, it should be recharged. (See "BATTERY" in the MAINTENANCE section of this manual).

If "jumper cables" are used for emergency starting, follow this procedure:

IMPORTANT: Your tractor is equipped with a 12 volt negative grounded system. The other vehicle must also be a 12 volt negative grounded system. Do not use your tractor battery to start other vehicles.

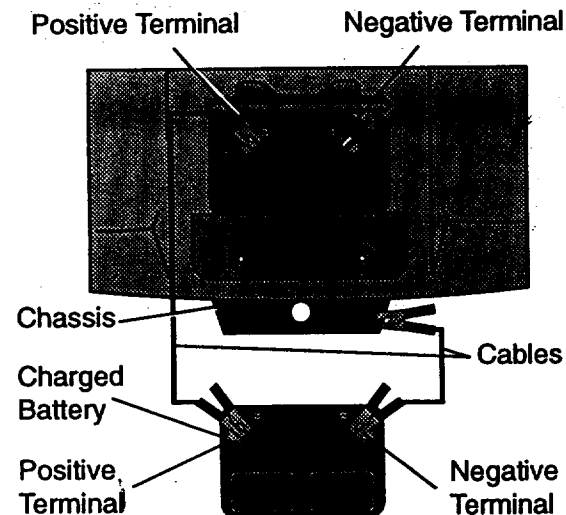
TO ATTACH JUMPER CABLES -

- Connect each end of the RED cable to the POSITIVE (+) terminal of each battery, taking care not to short against chassis.
- Connect one end of the BLACK cable to the NEGATIVE (-) terminal of fully charged battery.
- Connect the other end of the BLACK cable to good CHASSIS GROUND,

away from fuel tank and battery.

TO REMOVE CABLES, REVERSE ORDER -

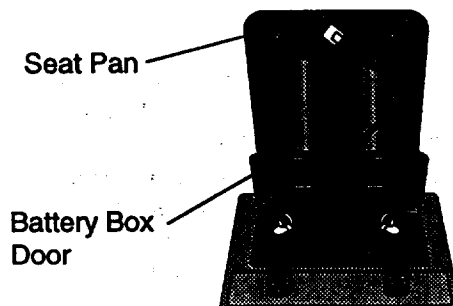
- BLACK cable first from chassis and then from the fully charged battery.
- RED cable last from both batteries.

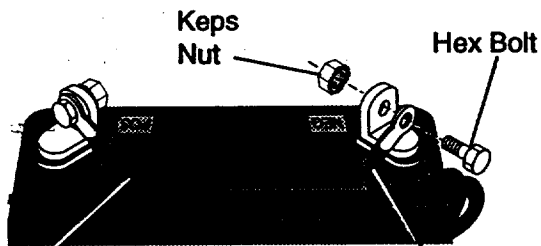


REPLACING BATTERY

▲CAUTION: Do not short battery terminals by allowing a wrench or any other object to contact both terminals at the same time. Before connecting battery, remove metal bracelets, wrist-watch bands, rings, etc. Positive terminal must be connected first to prevent sparking from accidental grounding.

- Lift seat pan to raised position and open battery box door.
- Disconnect BLACK battery cable first then RED battery cable and carefully remove battery from tractor.
- Install new battery with terminals in same position as old battery.
- First connect RED battery cable to positive (+) terminal with hex bolt and keps nut as shown. Tighten securely.
- Connect BLACK grounding cable to negative (-) terminal with remaining hex bolt and keps nut. Tighten securely.
- Close battery box door.





Positive (Red)
Cable

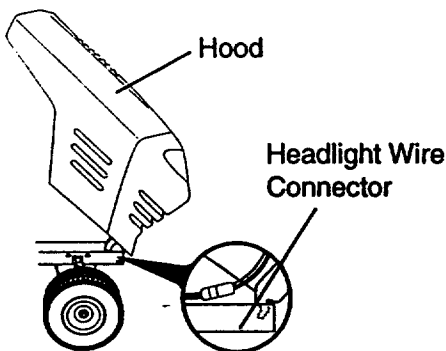
Negative (Black)
Cable

TO REPLACE HEADLIGHT BULB

- Raise hood.
- Pull bulb holder out of the hole in the backside of the grill.
- Replace bulb in holder and push bulb holder securely back into the hole in the backside of the grill.
- Close hood.

TO REMOVE HOOD AND GRILL ASSEMBLY

- Raise hood.
- Unsnap headlight wire connector.
- Stand in front of tractor. Grasp hood at sides, tilt toward engine and lift off of tractor.
- To replace, reverse above procedures.



INTERLOCKS AND RELAYS

Loose or damaged wiring may cause your tractor to run poorly, stop running, or prevent it from starting.

- Check wiring. See electrical wiring diagram in the Repair Parts section of this manual.

TO REPLACE FUSE

Replace with 30 amp automotive-type plug-in fuse. The fuse holder is located behind the dash.

ENGINE

Maintenance, repair, or replacement of the emission control devices and systems, which are being done at the customer's expense, may be performed by any non-road engine repair establishment or individual. ~~Warranty~~ repairs must be performed by an authorized engine manufacturer's service outlet.

TO ADJUST THROTTLE CONTROL CABLE

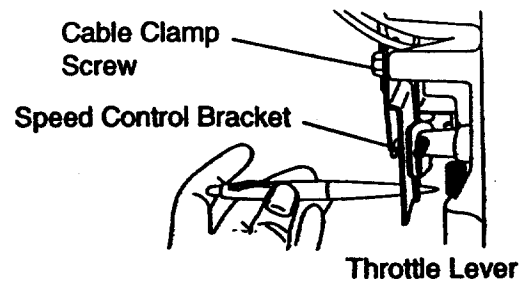
The throttle control has been preset at the factory and adjustment should not be necessary. Check adjustment as described below before loosening cable. If adjustment is necessary, proceed as follows:

- With engine not running, move throttle control lever from slow to choke position. Slowly move lever from choke to fast position.
- Check to see if hole in throttle lever and hole in speed control bracket are aligned.
- If holes are not aligned, loosen cable clamp screw and align the holes by inserting a pencil or a 1/4" drill bit through both holes.
- Pull throttle cable up to remove slack and tighten cable clamp screw. Remove alignment pencil or drill bit.

TO ADJUST CARBURETOR

The carburetor has been preset at the factory and adjustment should not be necessary. However, minor adjustment may be required to compensate for differences in fuel, temperature, altitude or load. If the carburetor does need adjustment, proceed as follows: In general, turning the adjusting needles in (clockwise) decreases the supply of fuel to the engine giving a leaner fuel/air mixture. Turning the adjusting needles out (counterclockwise) increases the supply of fuel to the engine giving a richer fuel/air mixture.

IMPORTANT: Damage to the needles and the seats in carburetor may result if needle is turned in too tight.



Throttle Lever

Idle Speed
Adjusting
Screw

Idle Fuel
Adjusting
Needle

NOTE: The carburetor on this engine is low emission. It is equipped with an idle fuel adjusting needle with a limiter cap; which allows some adjustment within the limits al-

lowed by the cap. Do not attempt to remove the limiter cap. The limiter cap cannot be removed without breaking the adjusting needle.

- Be sure you have a clean air filter and the throttle control cable is adjusted properly (see above).
- Start engine and allow to warm for five minutes. Make adjustments with engine running and shift/motion control lever in neutral (N) position.
- Idle speed setting - With throttle control lever in slow position, engine should idle at 1750 RPM. If engine idles too slow or fast, turn idle speed adjusting screw in or out until correct idle is attained.
- Idle fuel needle setting - With throttle control lever in slow position, turn idle fuel adjustment needle in (clockwise) until engine begins to die and then turn out (counterclockwise) until engine runs rough. Turn needle to a point midway between those two positions.

- Recheck idle speed. Readjust if necessary.

ACCELERATION TEST -

- Move throttle control lever from slow to fast position. If engine hesitates or dies, turn idle fuel adjusting needle **out** (counterclockwise) 1/8 turn. Repeat test and continue to adjust, if necessary, until engine accelerates smoothly.

High speed stop is factory adjusted. Do not adjust - damage may result.

IMPORTANT: Never tamper with the engine governor, which is factory set for proper engine speed. Overspeeding the engine above the factory high speed setting can be dangerous. If you think the engine-governed high speed needs adjusting, contact your nearest **AUTHORIZED** service center/department, which has proper equipment and experience to make any necessary adjustments.

STORAGE

Immediately prepare your tractor for storage at the end of the season or if the tractor will not be used for 30 days or more.

▲ CAUTION: Never store the tractor with gasoline in the tank inside a building where fumes may reach an open flame or spark. Allow the engine to cool before storing in any enclosure.

TRACTOR

Remove mower from tractor for winter storage. This will allow you to clean it thoroughly. Remove all dirt, grease, leaves, etc. Store in a clean, dry area.

- Clean entire tractor (See "CLEANING" in the Maintenance section of this manual).
- Inspect and replace belts, if necessary (See belt replacement instructions in the Service and Adjustments section of this manual).
- Lubricate as shown in the Maintenance section of this manual.
- Be sure that all nuts, bolts and screws are securely fastened. Inspect moving parts for damage, breakage and wear. Replace if necessary.
- Touch up all rusted or chipped paint surfaces; sand lightly before painting.

BATTERY

- Fully charge the battery for storage.
- After a period of time in storage, battery may require recharging.
- To help prevent corrosion and power leakage during long periods of storage, battery cables should be disconnected and battery cleaned thoroughly (see "TO CLEAN BATTERY AND TERMINALS" in the Maintenance section of this manual).
- After cleaning, leave cables disconnected and place cables where they cannot come in contact with battery terminals.
- If battery is removed from tractor for storage, do not store battery directly on concrete or damp surfaces.

ENGINE

FUEL SYSTEM

IMPORTANT: It is important to prevent gum deposits from forming in essential fuel system parts such as carburetor, fuel filter, fuel hose, or tank during storage. Also, experience indicates that alcohol

blended fuels (called gasohol or using ethanol or methanol) can attract moisture which leads to separation and formation of acids during storage. Acidic gas can damage the fuel system of an engine while in storage.

- Drain the fuel tank.
- Start the engine and let it run until the fuel lines and carburetor are empty.
- Never use engine or carburetor cleaner products in the fuel tank or permanent damage may occur.
- Use fresh fuel next season.

NOTE: Fuel stabilizer is an acceptable alternative in minimizing the formation of fuel gum deposits during storage. Add stabilizer to gasoline in fuel tank or storage container. Always follow the mix ratio found on stabilizer container. Run engine at least 10 minutes after adding stabilizer to allow the stabilizer to reach the carburetor. Do not drain the gas tank and carburetor if using fuel stabilizer.

ENGINE OIL

Drain oil (with engine warm) and replace with clean engine oil. (See "ENGINE" in the Maintenance section of this manual).

CYLINDER(S)

- Remove spark plug(s).
- Pour one ounce of oil through spark plug hole(s) into cylinder(s).
- Turn ignition key to "START" position for a few seconds to distribute oil.
- Replace with new spark plug(s).

OTHER

- Do not store gasoline from one season to another.
- Replace your gasoline can if it starts to rust. Rust and/or dirt in your gasoline will cause problems.
- If possible, store your tractor indoors and cover it to give protection from dust and dirt.
- Cover your tractor with a suitable protective cover that does not retain moisture. Do not use plastic. Plastic cannot breathe, which allows condensation to form and cause your tractor to rust.

IMPORTANT: Never cover tractor while engine and exhaust areas are still warm.

TROUBLESHOOTING CHART

| PROBLEM | CAUSE | CORRECTION |
|----------------------------------|---|--|
| Will not start | <ul style="list-style-type: none"> • Out of fuel. • Engine not "CHOKED" properly. • Engine flooded. • Bad spark plug. • Dirty air filter. • Dirty fuel filter. • Water in fuel. • Loose or damaged wiring. • Carburetor out of adjustment. • Engine valves out of adjustment. | <ul style="list-style-type: none"> • Fill fuel tank. • See "TO START ENGINE" in Operation section. • Wait several minutes before attempting to start. • Replace spark plug. • Clean/replace air filter. • Replace fuel filter. • Drain fuel tank and carburetor, refill tank with fresh gasoline and replace fuel filter. • Check all wiring. • See "To Adjust Carburetor" in Service and Adjustments section. • Contact an authorized service center. |
| Hard to start | <ul style="list-style-type: none"> • Dirty air filter. • Bad spark plug. • Weak or dead battery. • Dirty fuel filter. • Stale or dirty fuel. • Loose or damaged wiring. • Carburetor out of adjustment. • Engine valves out of adjustment. | <ul style="list-style-type: none"> • Clean/replace air filter. • Replace spark plug. • Recharge or replace battery. • Replace fuel filter. • Drain fuel tank and refill with fresh gasoline. • Check all wiring. • See "To Adjust Carburetor" in Service and Adjustments section. • Contact an authorized service center. |
| Engine will not turn over | <ul style="list-style-type: none"> • Clutch/brake pedal not depressed. • Attachment clutch is engaged. • Weak or dead battery. • Blown fuse. • Corroded battery terminals. • Loose or damaged wiring. • Faulty ignition switch. • Faulty solenoid or starter. • Faulty operator presence switch(es). | <ul style="list-style-type: none"> • Depress clutch/brake pedal. • Disengage attachment clutch. • Recharge or replace battery. • Replace fuse. • Clean battery terminals. • Check all wiring. • Check/replace ignition switch. • Check/replace solenoid or starter. • Contact an authorized service center. |
| Engine clicks but will not start | <ul style="list-style-type: none"> • Weak or dead battery. • Corroded battery terminals. • Loose or damaged wiring. • Faulty solenoid or starter. | <ul style="list-style-type: none"> • Recharge or replace battery. • Clean battery terminals. • Check all wiring. • Check/replace solenoid or starter. |
| Loss of power | <ul style="list-style-type: none"> • Cutting too much grass/too fast. • Throttle in "CHOKE" position. • Build-up of grass, leaves and trash under mower. • Dirty air filter. • Low oil level/dirty oil. | <ul style="list-style-type: none"> • Set in "Higher Cut" position/reduce speed. • Adjust throttle control. • Clean underside of mower housing. • Clean/replace air filter. • Check oil level/change oil. |

TROUBLESHOOTING CHART

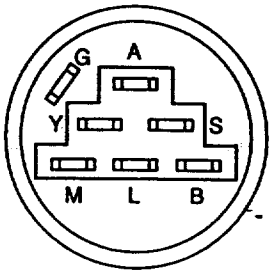
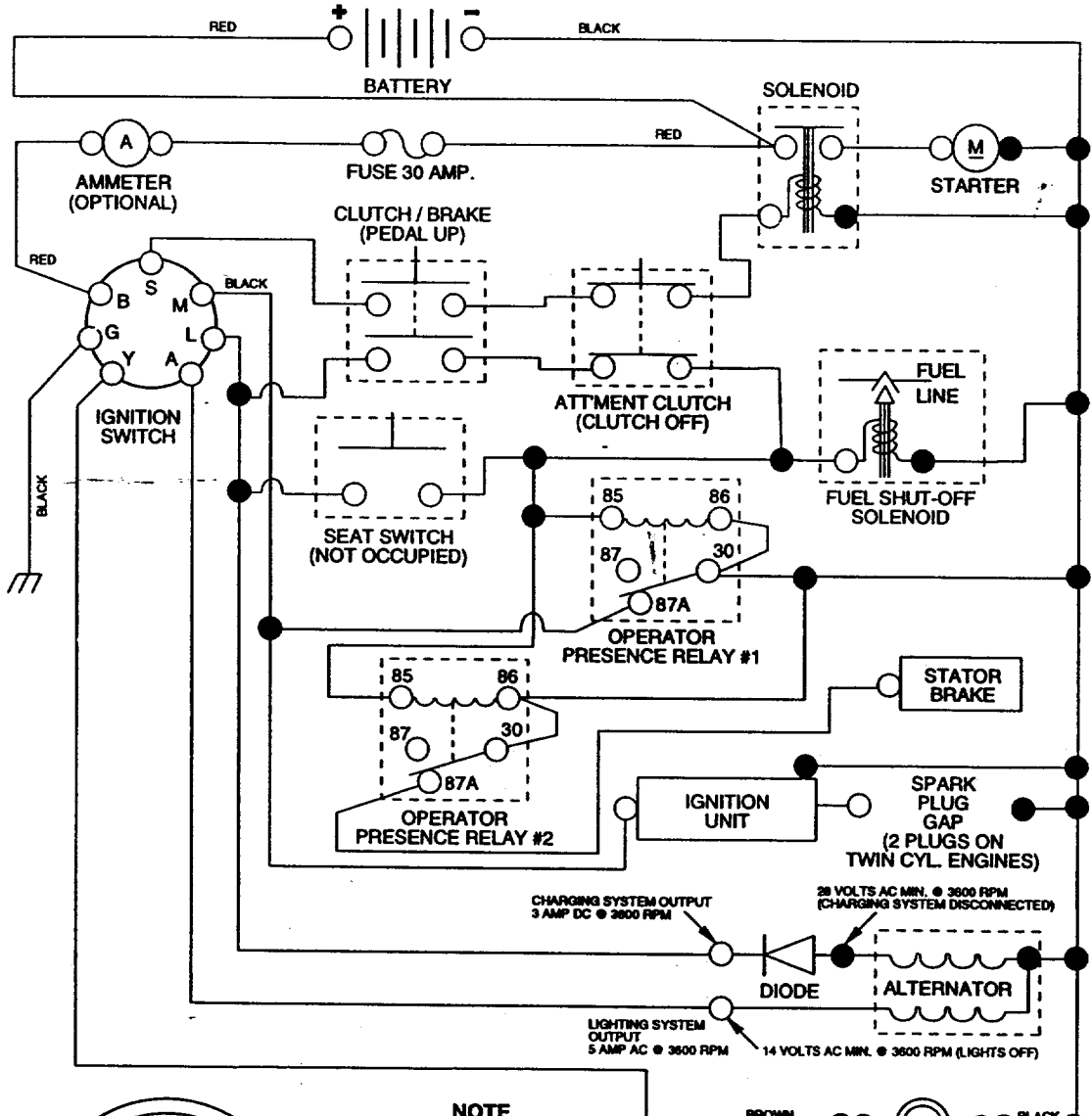
| PROBLEM | CAUSE | CORRECTION |
|--|--|---|
| Loss of power (cont'd) | <ul style="list-style-type: none"> Faulty spark plug. Dirty fuel filter. Stale or dirty fuel. Water in fuel. Spark plug wire loose. Dirty engine air screen/fins. Dirty/clogged muffler. Loose or damaged wiring. Carburetor out of adjustment. Engine valves out of adjustment. | <ul style="list-style-type: none"> Clean and regap or change spark plug. Replace fuel filter. Drain fuel tank and refill with fresh gasoline. Drain fuel tank and carburetor, refill tank with fresh gasoline and replace fuel filter. Connect and tighten spark plug wire. Clean engine air screen/fins. Clean/replace muffler. Check all wiring. See "To Adjust Carburetor" in Service and Adjustments section. Contact an authorized service center. |
| Excessive vibration | <ul style="list-style-type: none"> Worn, bent or loose blade. Bent blade mandrel. Loose/damaged part(s). | <ul style="list-style-type: none"> Replace blade. Tighten blade bolt. Replace blade mandrel. Tighten loose part(s). Replace damaged parts. |
| Engine continues to run when operator leaves seat with attachment clutch engaged | <ul style="list-style-type: none"> Faulty operator-safety presence control system. | <ul style="list-style-type: none"> Check wiring, switches and connections. If not corrected, contact an authorized service center/department. |
| Poor cut - uneven | <ul style="list-style-type: none"> Worn, bent or loose blade. Mower deck not level. Buildup of grass, leaves, and trash under mower. Bent blade mandrel. Clogged mower deck vent holes from buildup of grass, leaves, and trash around mandrels. | <ul style="list-style-type: none"> Replace blade. Tighten blade bolt. Level mower deck. Clean underside of mower housing. Replace blade mandrel. Clean around mandrels to open vent holes. |
| Mower blades will not rotate | <ul style="list-style-type: none"> Obstruction in clutch mechanism. Worn/damaged mower drive belt. Frozen idler pulley. Frozen blade mandrel. | <ul style="list-style-type: none"> Remove obstruction. Replace mower drive belt. Replace idler pulley. Replace blade mandrel. |
| Poor grass discharge | <ul style="list-style-type: none"> Engine speed too slow. Travel speed too fast. Wet grass. Mower deck not level. Low/uneven tire air pressure. Worn, bent or loose blade. | <ul style="list-style-type: none"> Place throttle control in "FAST" position. Shift to slower speed. Allow grass to dry before mowing. Level mower deck. Check tires for proper air pressure. Replace/sharpen blade. Tighten blade bolt. |

TROUBLESHOOTING CHART

| PROBLEM | CAUSE | CORRECTION |
|--|---|--|
| Poor grass discharge (cont'd) | <ul style="list-style-type: none"> • Buildup of grass, leaves and trash under mower. • Mower drive belt worn. • Blades improperly installed. • Improper blades used. • Clogged mower deck vent holes from buildup of grass, leaves, and trash around mandrels. | <ul style="list-style-type: none"> • Clean underside of mower housing. • Replace mower drive belt. • Reinstall blades sharp edge down. • Replace with blades listed in this manual. • Clean around mandrels to open vent holes. |
| Headlight(s) not working (if so equipped) | <ul style="list-style-type: none"> • Switch is "OFF". • Bulb(s) burned out. • Faulty light switch. • Loose or damaged wiring. • Blown fuse. | <ul style="list-style-type: none"> • Turn switch "ON". • Replace bulb(s). • Check/replace light switch. • Check wiring and connections. • Replace fuse. |
| Battery will not charge | <ul style="list-style-type: none"> • Bad battery cell(s). • Poor cable connections. • Faulty regulator (if so equipped). • Faulty alternator. | <ul style="list-style-type: none"> • Replace battery. • Check/clean all connections. • Replace regulator. • Replace alternator. |
| Engine "backfires" when turning engine "OFF" | <ul style="list-style-type: none"> • Engine throttle control not set at "SLOW" position for 30 seconds before stopping engine. | <ul style="list-style-type: none"> • Move throttle control to "SLOW" position and allow to idle for 30 seconds before stopping engine. |

TRACTOR -- MODEL NUMBER 917.271011

SCHEMATIC

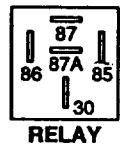


IGNITION SWITCH

| POSITION | CIRCUIT | "MAKE" |
|-----------|-----------|--------|
| OFF | G + M + L | NONE |
| RUN/LIGHT | B + L | A + Y |
| RUN | B + L | NONE |
| START | B + L + S | NONE |

NOTE
 YOUR TRACTOR IS EQUIPPED WITH A SPECIAL ALTERNATOR SYSTEM. THE LIGHTS ARE NOT CONNECTED TO THE BATTERY, BUT HAVE THEIR OWN ELECTRICAL SOURCE. BECAUSE OF THIS, THE BRIGHTNESS OF THE LIGHTS WILL CHANGE WITH ENGINE SPEED. AT IDLE THE LIGHTS WILL DIM. AS THE ENGINE IS SPEEDED UP, THE LIGHTS WILL BECOME THEIR BRIGHTEST.

WIRING INSULATED CLIPS
NOTE: IF WIRING INSULATED CLIPS WERE REMOVED FOR SERVICING OF UNIT, THEY SHOULD BE REPLACED TO PROPERLY SECURE YOUR WIRING.

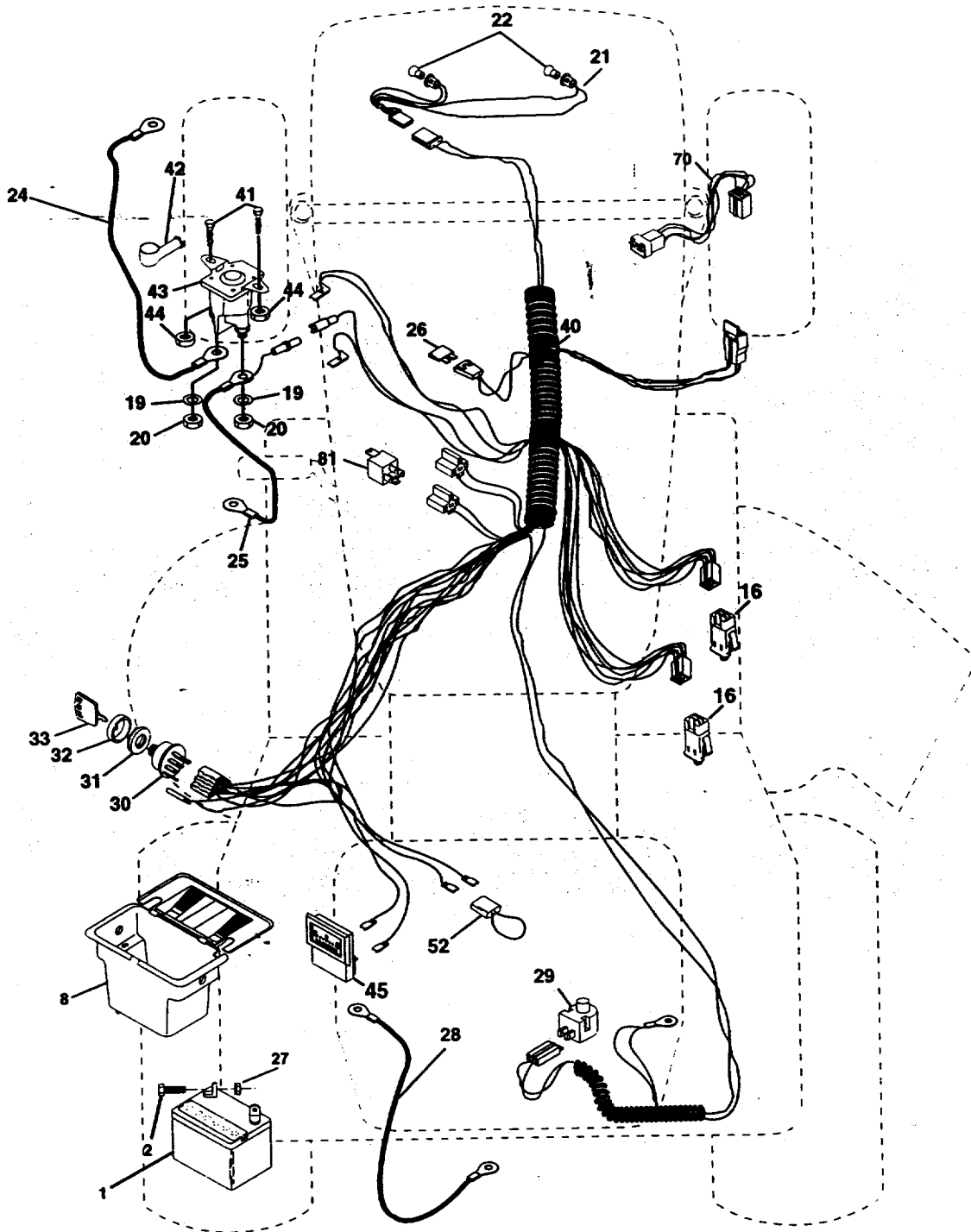


NON-REMOVABLE CONNECTIONS REMOVABLE CONNECTIONS

REPAIR PARTS

TRACTOR -- MODEL NUMBER 917.271011

ELECTRICAL



TRACTOR -- MODEL NUMBER 917.271011

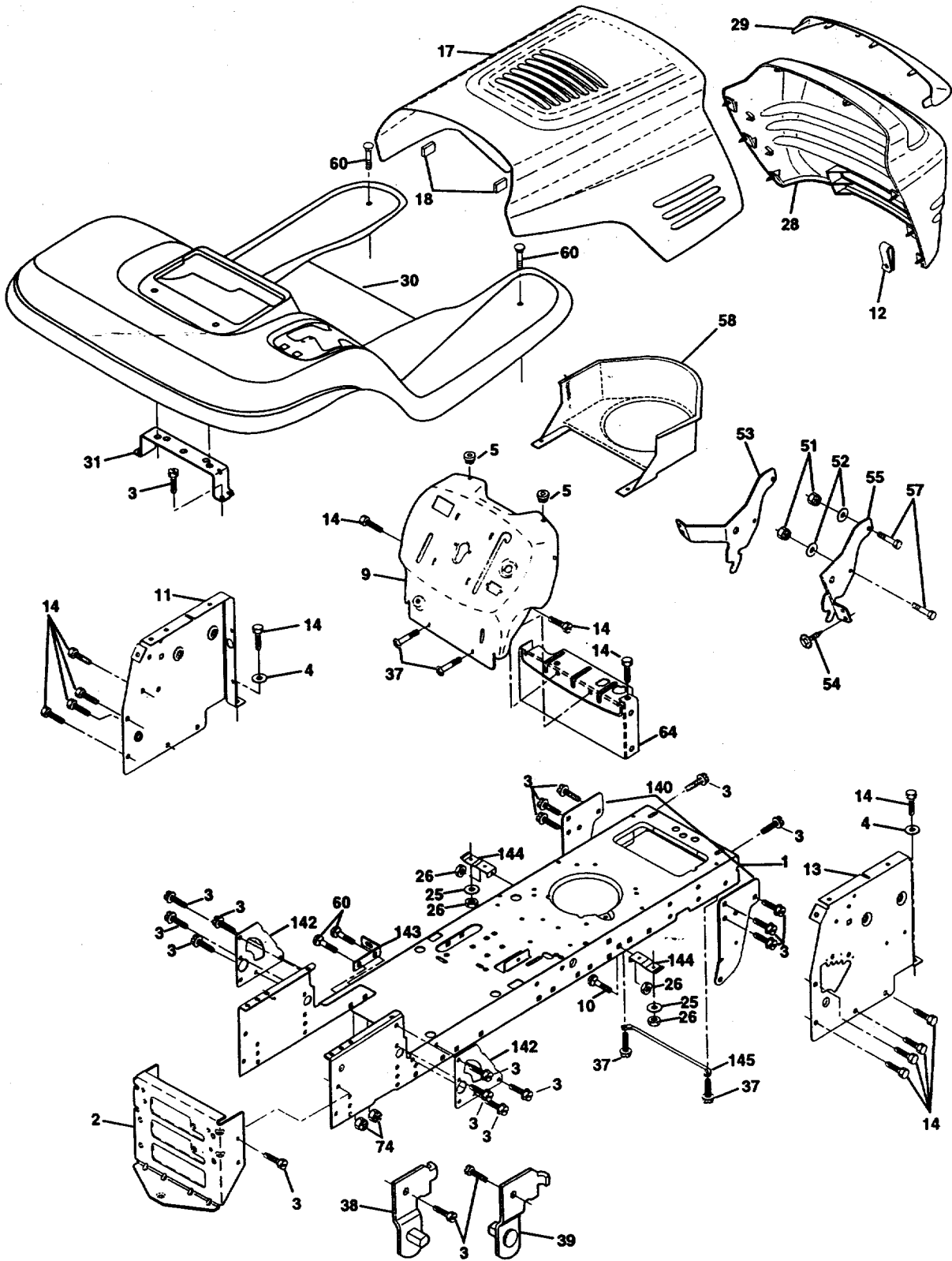
ELECTRICAL

| KEY NO. | PART NO. | DESCRIPTION |
|---------|-----------|--|
| 1 | 163465 | Battery, 12 Volt 28 Amp |
| 2 | 74760412 | Bolt, Hex 1/4-20 x 3/4 |
| 8 | 156417 | Case, Battery Mech Hinge |
| 16 | 161343 | Switch, Interlock N. OPN./N. OPN |
| 19 | STD551125 | Washer, Lock 1/4 |
| 20 | 73350400 | Nut, Hex, Jam 1/4-20 UNC |
| 21 | 147430 | Harness, Light Socket (w/4152J) |
| 22 | 4152J | Light Bulb |
| 24 | 4799J | Cable, Battery, 6 Gauge, Red, 11" |
| 25 | 146147 | Cable, Battery, 6 Gauge, Red, W16 Wire |
| 26 | 108824X | Fuse, 30 Amp |
| 27 | 73510400 | Nut Keps Hex 1/4-20 UNC |
| 28 | 4207J | Cable, Ground, 6 Gauge, Black, 12" |
| 29 | 160784 | Switch, Plunger Normal OP Olive |
| 30 | 140301 | Switch, Ignition 4 Position |
| 31 | 124211X | Nut, Ignition |
| 32 | 141226 | Cover, Ignition Switch |
| 33 | 109310X | Key, Molded, Craftsman |
| 40 | 161352 | Harness, Ignition |
| 41 | 71110408 | Bolt Blk Fin Hex 1/4-20 UNC x 1/2 |
| 42 | 131563 | Cover, Terminal |
| 43 | 145673 | Solenoid |
| 44 | 73640400 | Nut, Keps Blk Hex 1/4-20 UNC |
| 45 | 121433X | Ammeter, Rectangular 15 Amp |
| 52 | 141940 | Protection Wire Loop (Hour Meter) |
| 70 | 142621 | Harness, Engine Kohl Cmd-L 15AR |
| 81 | 109748X | Relay Asm. |

NOTE: All component dimensions given in U.S. inches
1 inch = 25.4 mm

TRACTOR -- MODEL NUMBER 917.271011

CHASSIS AND ENCLOSURES



TRACTOR - - MODEL NUMBER 917.271011

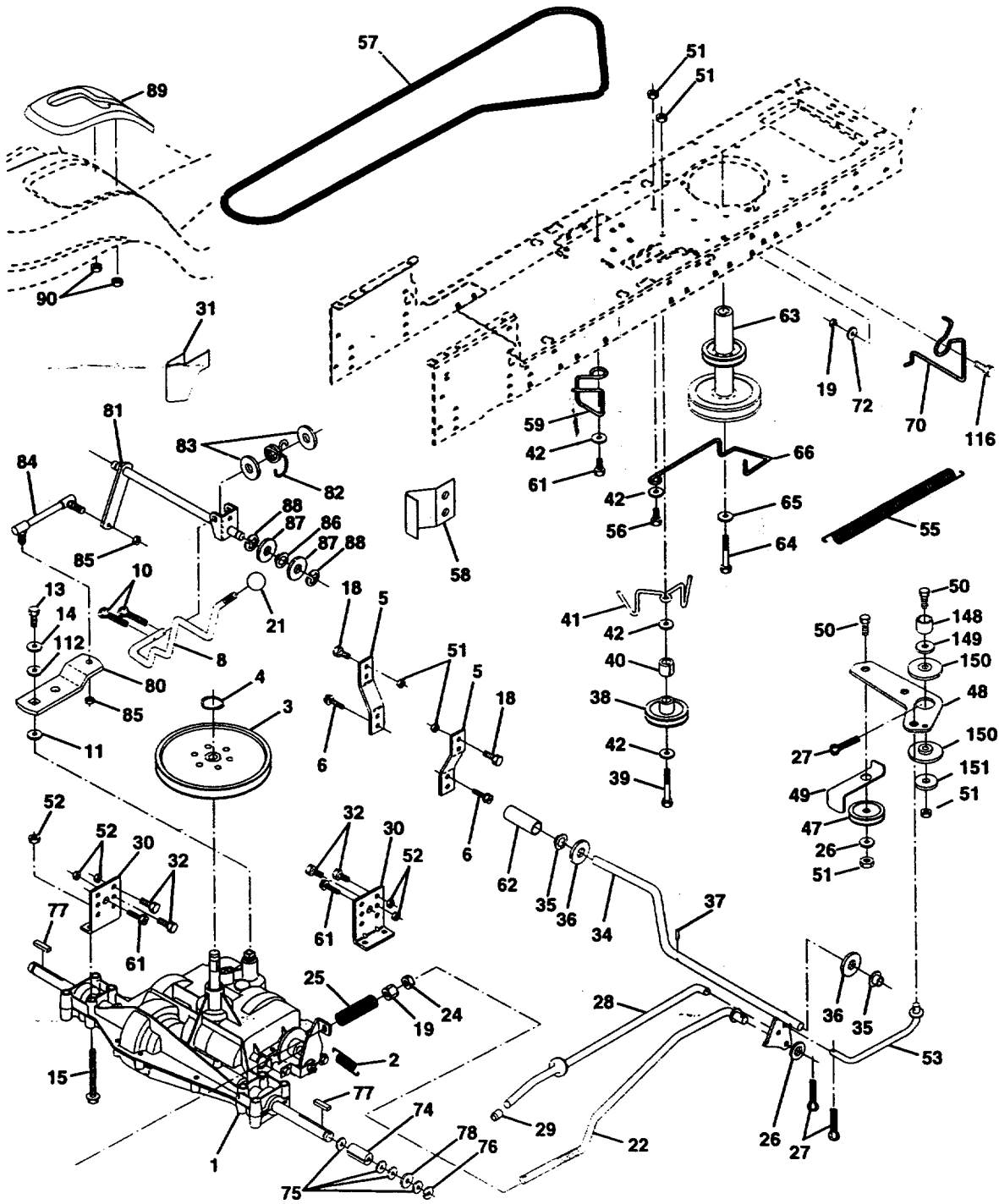
CHASSIS AND ENCLOSURES

| KEY | PART | |
|-----|------------|-------------------------------------|
| NO. | NO. | DESCRIPTION |
| 1 | 160392 | Chassis Assembly |
| 2 | 140356 | Drawbar |
| 3 | 17490612 | Screw, Thd., Roll. 3/8-16 x 3/4 |
| 4 | 19131216 | Washer 13/32 x 3/4 x 16 Gauge |
| 5 | 155272 | Bumper Hood/Dash |
| 9 | 161917X013 | Dash |
| 10 | STD533710 | Bolt, Carriage 3/8-16 x 3/4 |
| 11 | 155927 | Panel, Dash, LH |
| 12 | 145660 | Clip Tinnerman Grille P/L |
| 13 | 155934X010 | Panel, Dash, RH |
| 14 | 17490608 | Screw, Thd., Roll. 3/8-16 x 1/2 |
| 17 | 144983X558 | Hood Assembly |
| 18 | 126938X | Bumber Hood |
| 25 | 19131312 | Washer 13/32 x 13/16 x 12 Gauge |
| 26 | STD541437 | Locknut |
| 28 | 145198X558 | Grille w/Clips MS-558 |
| 29 | 155217 | Lens, Grille |
| 30 | 151287X558 | Fender/Footrest Pnt STLT N Hold 558 |
| 31 | 139976 | Bracket, Fender/Support |
| 37 | 17490508 | Screw Thdrol 5/16-18 x 1/2 |
| 38 | 139886 | Pivot Bracket Assembly, LH, |
| 39 | 139887 | Pivot Bracket Assembly, RH, |
| 51 | 73800400 | Nut Lock w/Insert 1/4 - 20 UNC |
| 52 | 19091416 | Washer, 9/32 x 7/8 x 16 Gauge |
| 53 | 145201 | Bracket, Grille Pickoff LH |
| 54 | 161464 | Screw, Hex Wshd #8-18 x 7/8 |
| 55 | 145202 | Bracket, Grille Pickoff RH |
| 57 | STD552507 | Bolt, FinHex 1/4 -20 UNC x .75 |
| 58 | 150127 | Duct, Air Engine PL/LT |
| 60 | STD533707 | Bolt, Rdhd Sqnk 3/8-16 UNC x 3/4 |
| 64 | 154798 | Dash, Lower STLT |
| 74 | STD541437 | Nut, Crownlock 3/8-16 UNC |
| 140 | 158418 | Bracket, Suspension Front |
| 142 | 156095 | Plate, Reinforcement STLT |
| 143 | 154966 | Backrest, Swaybar Chassis |
| 144 | 154207 | Bracket, Footrest STLT |
| 145 | 156524 | Rod Pivot Chassis/Hood |
| — | 5479J | Plug, Button |

NOTE: All component dimensions given in U.S. inches
1 inch = 25.4 mm

TRACTOR -- MODEL NUMBER 917.271011

GROUND DRIVE



TRACTOR - - MODEL NUMBER 917.271011

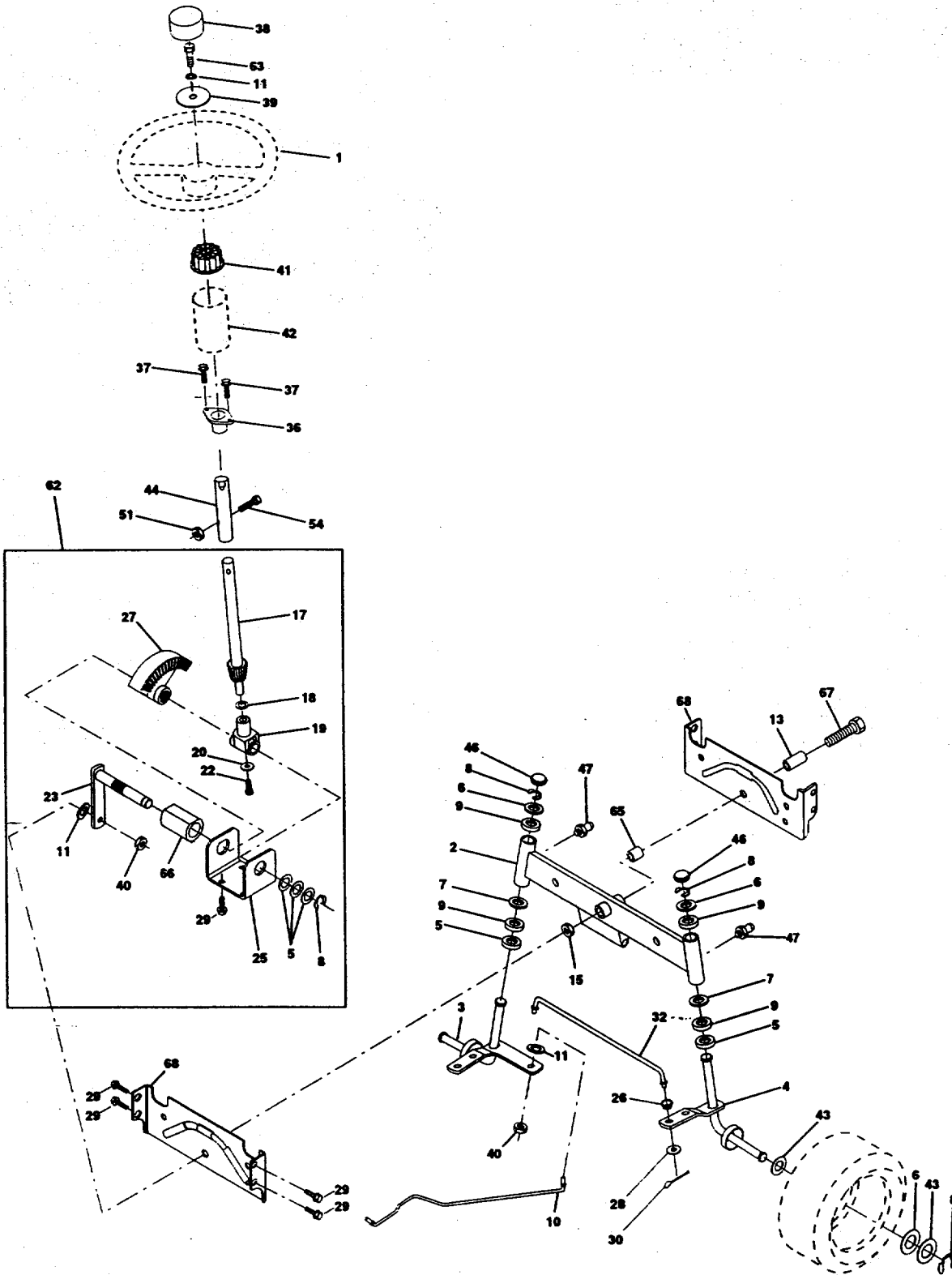
GROUND DRIVE

| KEY NO. | PART NO. | DESCRIPTION | KEY NO. | PART NO. | DESCRIPTION |
|---------|-----------|---|---------|-----------|---|
| 1 | --- | Transaxle(See Breakdown) Dana, Model Number 4360-122 | 52 | STD541431 | Nut Crown Lock 5/16-18 UNC |
| 2 | 146682 | Spring, Return, Brake | 53 | 105710X | Link, Clutch |
| 3 | 123666X | Pulley, Transaxle | 55 | 105709X | Spring, Clutch Return |
| 4 | 12000028 | Ring, Retainer | 56 | STD523712 | Bolt Fin Hex 3/8-16 x 1-1/4 |
| 5 | 121520X | Strap, Torque | 57 | 160855 | V-Belt, Ground Drive |
| 6 | 17490512 | Screw, Thd., Roll. 5/16-18 x 3/4 | 58 | 127274X | Keeper, Belt, R.H. |
| 8 | 154792 | Rod Shifter Fender STLT | 59 | 140312 | Keeper, Belt, Center Span |
| 10 | STD561210 | Pin, Cotter | 61 | 17490612 | Screw, Thd., Roll. 3/8-16 x 3/4 |
| 11 | 105701X | Washer, Shift Plate | 62 | 8883R | Cover, Pedal |
| 13 | 74550412 | Bolt 1/4-28 UNF W/Patch Grade 8 | 63 | 140186 | Pulley, Engine |
| 14 | STD551125 | Washer | 64 | 71170764 | Bolt, Hex Head, Fin. 7/16-20 x 4 Grade 5 |
| 15 | 74490544 | Bolt, Hex Fighd 5/16-18 Grade 5 | 65 | STD551143 | Washer |
| 18 | STD523710 | Bolt Fin Hex 3/8-16 UNC x 1. Gr 5 | 66 | 154778 | Keeper, Belt, Engine, Fool- Proof |
| 19 | STD541437 | Nut | 70 | 134683 | Guide, Mower Drive Belt, R.H. |
| 21 | 106933X | Knob | 72 | 19132012 | Washer 13/32 x 1-1/4 x 12 Gauge |
| 22 | 130804 | Rod, Brake | 74 | 109502X | Spacer, Split |
| 24 | STD541237 | Nut | 75 | 121749X | Washer 25/32 x 1-1/4 x 16 Gauge |
| 25 | 106888X | Spring, Brake Rod | 76 | STD581075 | E-Ring |
| 26 | STD551037 | Washer | 77 | 123583X | Key, Square 2.0 x .1845/.1865 |
| 27 | STD561210 | Pin | 78 | 121748X | Washer 25/32 x 1-5/8 x 16 Gauge |
| 28 | 145204 | Rod, Parking Brake | 80 | 160783 | Arm, Shift |
| 29 | 124236X | Cap, Parking Brake, Red | 81 | 161077 | Shaft Assembly |
| 30 | 130807 | Bracket, Transaxle | 82 | 123782X | Spring, Torsion |
| 31 | 127275X | Keeper, Belt, L.H. | 83 | 19171216 | Washer 17/32 x 3/4 x 16 Gauge |
| 32 | STD523107 | Bolt | 84 | 145643 | Tie Rod |
| 34 | 155071 | Shaft Assembly, Foot Pedal | 85 | 150360 | Nut, Nylock |
| 35 | 120183X | Bearing, Nylon | 86 | 157480 | Bushing, Pivot |
| 36 | STD551062 | Washer | 87 | 19212016 | Washer |
| 37 | STD571810 | Roll Pin | 88 | 12000008 | E-Ring |
| 38 | 123674X | Pulley, Idler, Flat | 89 | 158391 | Console, Shift, STLT |
| 39 | STD523727 | Bolt | 90 | 124346X | Nut, Self-Threading, Washer Hd 1/4 |
| 40 | 4470J | Spacer, Split .395 x .59 | 112 | 19091210 | Washer 9/32 x 3/4 x 10 Gauge |
| 41 | 154777 | Keeper, Belt, Idler Fool-Proof | 116 | 72110610 | Bolt Rdhd Sqneck 3/8-16 x 1.25 |
| 42 | 19131312 | Washer 13/32 x 13/16 x 12 Gauge | 148 | 159103 | Spacer |
| 47 | 127783 | Pulley, Idler, V-Groove, Plastic | 149 | 122052X | Spacer Retainer PM Mower |
| 48 | 154407 | Bellcrank Clutch Grnd Drv Stl | 150 | 150935 | Bushing Nylon Collered |
| 49 | 123205X | Retainer, Belt | 151 | 19133210 | Washer 13/32 x 2 x 10 Ga. |
| 50 | STD523715 | Bolt | | | |
| 51 | STD541437 | Nut Crown Lock 3/8-16 UNC | | | |

NOTE: All component dimensions given in U.S. inches
1 inch = 25.4 mm

TRACTOR -- MODEL NUMBER 917.271011

STEERING ASSEMBLY



TRACTOR - - MODEL NUMBER 917.271011

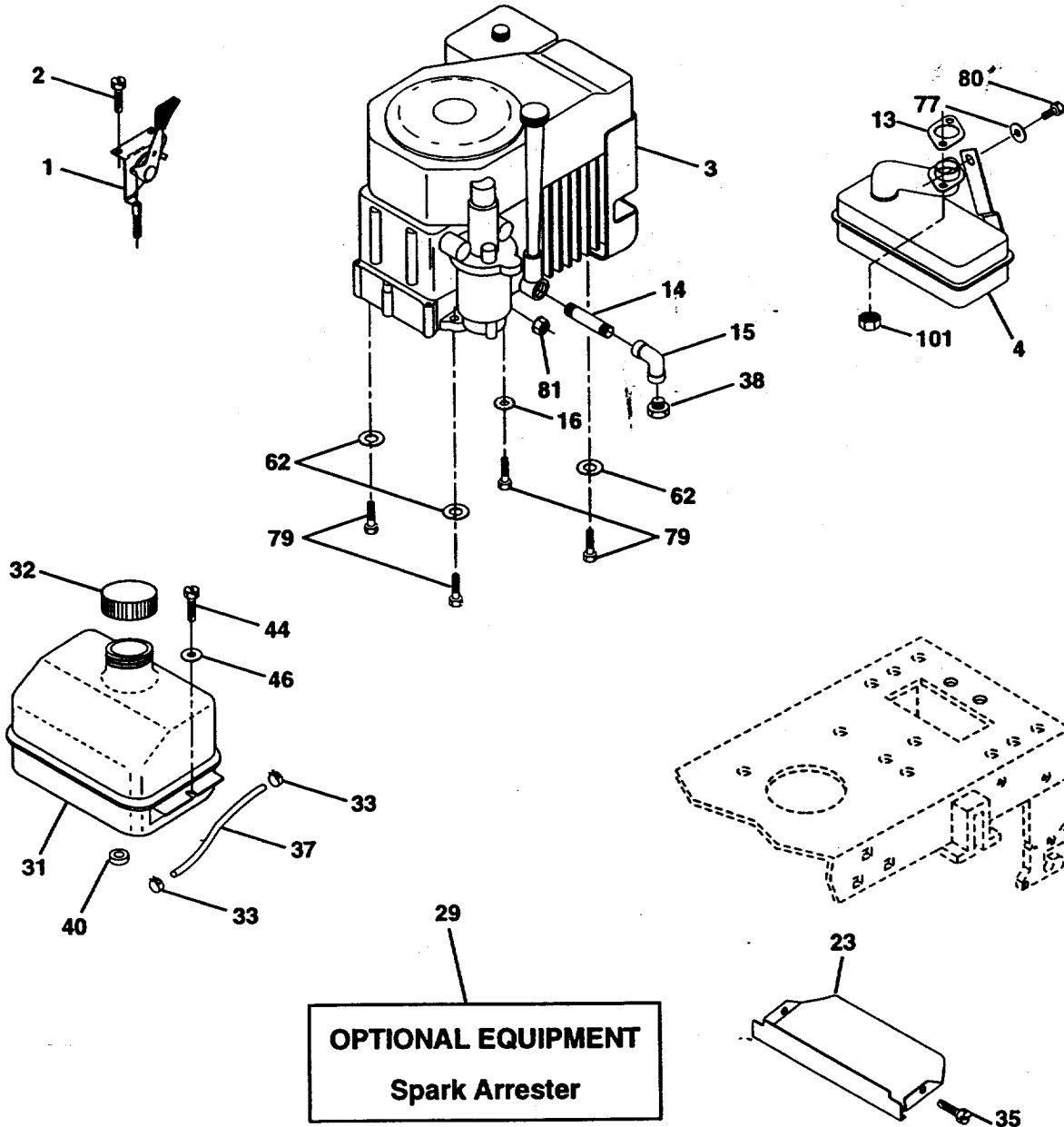
STEERING ASSEMBLY

| KEY NO. | PART NO. | DESCRIPTION |
|---------|-----------|-------------------------------------|
| 1 | 139768 | Wheel, Steering |
| 2 | 154427 | Axle, Asm Front |
| 3 | 156483 | Spindle, Asm Lh |
| 4 | 157473 | Spindle, Asm Rh |
| 5 | 6266H | Bearing, Race Thrust Harden |
| 6 | 121748X | Washer, 25/32 x 1 5/8 x 16ga |
| 7 | 19272016 | Washer, 27/32 x 1 1/4 x 16 Ga |
| 8 | 12000029 | Ring, Klip #15304-75 |
| 9 | 3366R | Bearing, Col Strg Blk |
| 10 | 156438 | Draglink, Extended Stamped |
| 11 | STD551137 | Washer, Lock Hvy Hlcl Spr 3/8 |
| 13 | 154779 | Bearing, Axle STLT/GT |
| 15 | 73901000 | Locknut, Flange 5/8-11 UNC |
| 17 | 156546 | Shaft, Asm Strg Private Label |
| 18 | 57079 | Washer, Thrust 515 x 750 x 033 |
| 19 | 124035X | Support, Shaft |
| 20 | 126684X | Washer, Shim 1/4 x 5/8 x 062 |
| 22 | 71200410 | Screw, Hex Socket Hd 1/4-20 x 5/8 |
| 23 | 127501 | Shaft, Asm Pittman |
| 25 | 154406 | Bracket, Steering |
| 26 | 126847X | Bushing, Rod Tie Blk Lt |
| 27 | 136874 | Gear, Sector |
| 28 | 19131416 | Washer, 13/32 x 7/8 x 16ga |
| 29 | 17490612 | Screw, Thdrol 3/8-16x3/4 Ty-tt |
| 30 | STD561210 | Pin, Cotter 1/8 x 3/4 Cad |
| 32 | 130465 | Rod, Tie Wire Form 19 75 Mech |
| 36 | 155099 | Bushing, Strg 5/8 Id Dash |
| 37 | 152927 | Screw, TT #10-32 x 5 x 3/8 Flange |
| 38 | 139769 | Insert, Steering Wheel |
| 39 | 19133808 | Washer, 13/32 x 2-3/8 x 8 Gauge |
| 40 | STD541537 | Gripco Nut |
| 41 | 100711L | Adaptor, Wheel Strg |
| 42 | 145054 | Boot Shaft Steering |
| 43 | 121749X | Washer, 25/32 x 1-1/4 x 16 Gauge |
| 44 | 153720 | Extension, Steering Non-Adjust |
| 46 | 121232X | Cap, Spindle Fr Top Blk |
| 47 | 6855M | Fitting, Grease |
| 51 | STD541431 | Nut Lock Hex w/Ins 5/16 -18 UNC |
| 54 | 74780520 | Bolt Fin Hex 5/16 - 18 UNC x 1 -1/4 |
| 62 | 156594 | Kit, Steering Assembly |
| 63 | STD523710 | Bolt, Fin Hex 3/8-16 UNC x 1 Gr. 5 |
| 65 | 154780 | Spacer, Axle |
| 66 | 154404 | Bearing, Arm Pittman |
| 67 | 74781044 | Bolt, Fin Hex 5/8-11 UNC x 2-3/4 |
| 68 | 154429 | Axle, Brace |

NOTE: All component dimensions given in U.S. inches
1 inch = 25.4 mm

TRACTOR -- MODEL NUMBER 917.271011

ENGINE



TRACTOR -- MODEL NUMBER 917.271011

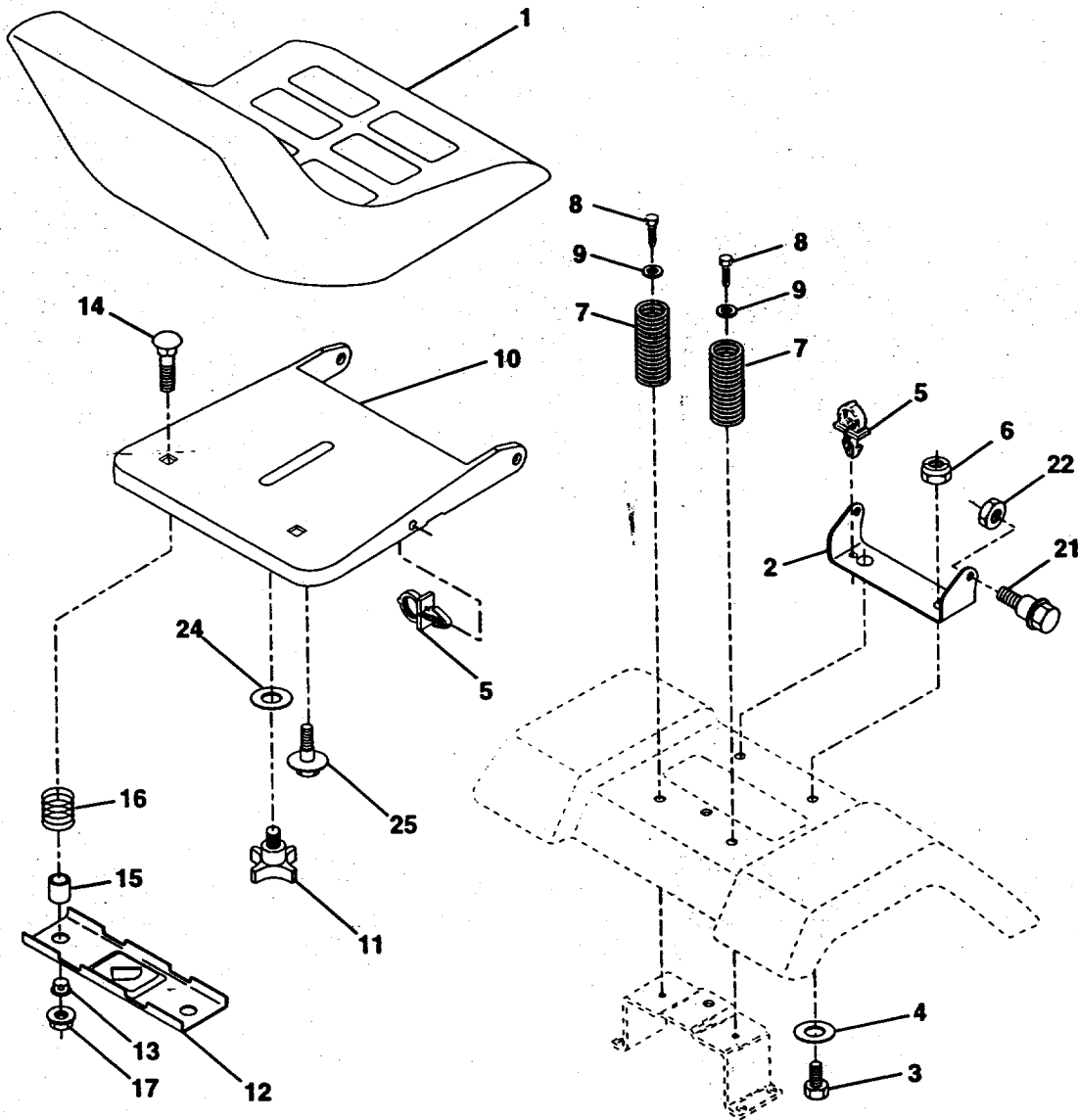
ENGINE

| KEY NO. | PART NO. | DESCRIPTION |
|---------|------------|---|
| 1 | 162156 | Control, Throt / Ch |
| 2 | 17720410 | Screw, Hex Thd Cut 1/4-20x5/8 T |
| 3 | ----- | Engine (See Breakdown) Kohler Model No. CV15S-41567 |
| 4 | 137350 | Muffler |
| 14 | 13280328 | Nipple, Pipe 3/8 NPT x 3-1/2 |
| 15 | 13200300 | Elbow, Std 90 Degree 3/8-18 Npt |
| 16 | STD551231 | Washer |
| 23 | 159880 | Shield, BRN/DBR Guard |
| 29 | 137180 | Arrestor, Spark |
| 31 | 109202X | Tank, Fuel |
| 32 | 158990 | Cap Assembly, Fuel Tank, Vented |
| 33 | 123487X | Clamp, Hose Blk |
| 35 | 17490512 | Screw, Thdrol 5/16-18 x 3/4 TYT |
| 37 | 137040 | Line Fuel |
| 38 | ----- | Plug Oil Drain (Order From Engine Manufacturer) |
| 40 | 124028X | Bushing, Snap, Fuel Line |
| 44 | 17490412 | Screw, Hex Washer Head, Thd. Roll. 1/4-20 x 3/4 |
| 46 | 19091416 | Washer, 9/32 x 7/8 x 16 Gauge |
| 62 | STD551131 | Washer, Lock |
| 77 | 19101216 | Washer 5/16 x 3/4 x 16 Gauge |
| 79 | M740108025 | Bolt, Hex |
| 80 | 74760508 | Bolt, Hex Hd 5/16-18 UNC x 1/2 |
| 81 | 128861 | Nut, Flange 1/4-20 Starter Nut |

NOTE: All component dimensions given in U.S. inches
1 inch = 25.4 mm

TRACTOR -- MODEL NUMBER 917.271011

SEAT ASSEMBLY



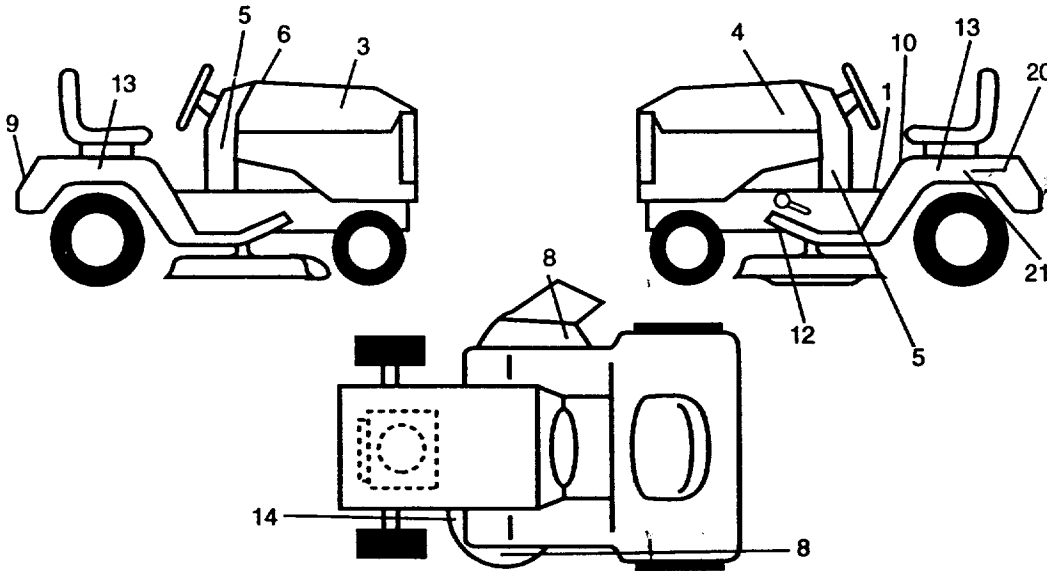
| KEY NO. | PART NO. | DESCRIPTION |
|---------|-----------|-------------------------------|
| 1 | 140123 | Seat |
| 2 | 140551 | Bracket, Pivot, Seat |
| 3 | STD523710 | Bolt |
| 4 | 19131610 | Washer 13/32 x 1 x 10 Gauge |
| 5 | 145006 | Clip, Push-In Hinged |
| 6 | STD541437 | Nut |
| 7 | 124181X | Spring, Seat |
| 8 | 17490616 | Screw, Thd., Roll. 3/8-16 x 1 |
| 9 | 19131614 | Washer 13/32 x 1 x 14 Gauge |
| 10 | 155925 | Pan, Seat Emboss QCK Conn. |
| 11 | 120068X | Knob Seat 1/2-13 UNC Blk |
| 12 | 121246X | Bracket, Switch Mounting |

| KEY NO. | PART NO. | DESCRIPTION |
|---------|-----------|----------------------------------|
| 13 | 121248X | Bushing, Snap |
| 14 | 72050412 | Bolt, Carriage 1/4-20 x 1-1/2 |
| 15 | 134300 | Spacer, Split .28 x .88 |
| 16 | 121250X | Spring |
| 17 | 123976X | Locknut, Flange 1/4 Grade 5 |
| 21 | 153236 | Bolt, Shoulder 5/16-18 UNC |
| 22 | STD541431 | Nut |
| 24 | 19171912 | Washer 17/32 x 1-3/16 x 12 Gauge |
| 25 | 127018X | Bolt, Shoulder 5/16-18 x .62 |

NOTE: All component dimensions given in U.S. inches
1 inch = 25.4 mm

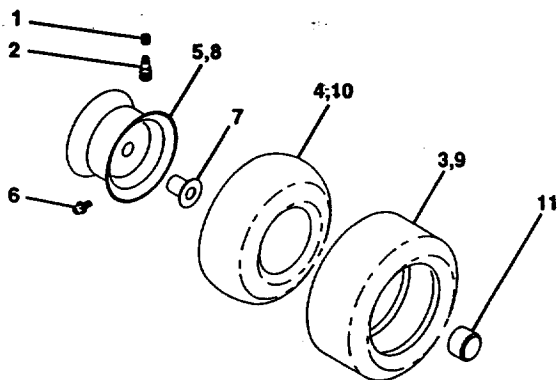
TRACTOR - - MODEL NUMBER 917.271011

DECALS



| KEY NO. | PART NO. | DESCRIPTION | KEY NO. | PART NO. | DESCRIPTION |
|---------|----------|---------------------------------|---------|----------|-------------------------------|
| 1 | 156368 | Decal, Oper. Instr. | 13 | 163207 | Decal, Fend Sd Wht Rad/6sp 42 |
| 3 | 163200 | Decal, Hood, R.H. | 14 | 160396 | Decal, V-Belt Schematic |
| 4 | 163202 | Decal, Hood, L.H. | 20 | 149516 | Decal Battery Dngr/Psn Eng |
| 5 | 163261 | Decal, Dash Pnl Kohler 15.5 OHV | 21 | 138047 | Decal, Battery Diehard Sears |
| 6 | 133644 | Decal, Customer Maintenance | -- | 138311 | Decal, Lift Handle |
| 8 | 163203 | Decal, Deck Mower EZ3 | -- | 154515 | Pad Footrest LH STLT |
| 9 | 163204 | Decal, Fender, Craftsman | -- | 154516 | Pad Footrest RH STLT |
| 10 | 156439 | Decal, Fender Danger | -- | 163727 | Owner's Manual, English |
| 12 | 146046 | Decal, V-Belt Drive Schematic | -- | 163728 | Owner's Manual, Spanish |

WHEELS & TIRES

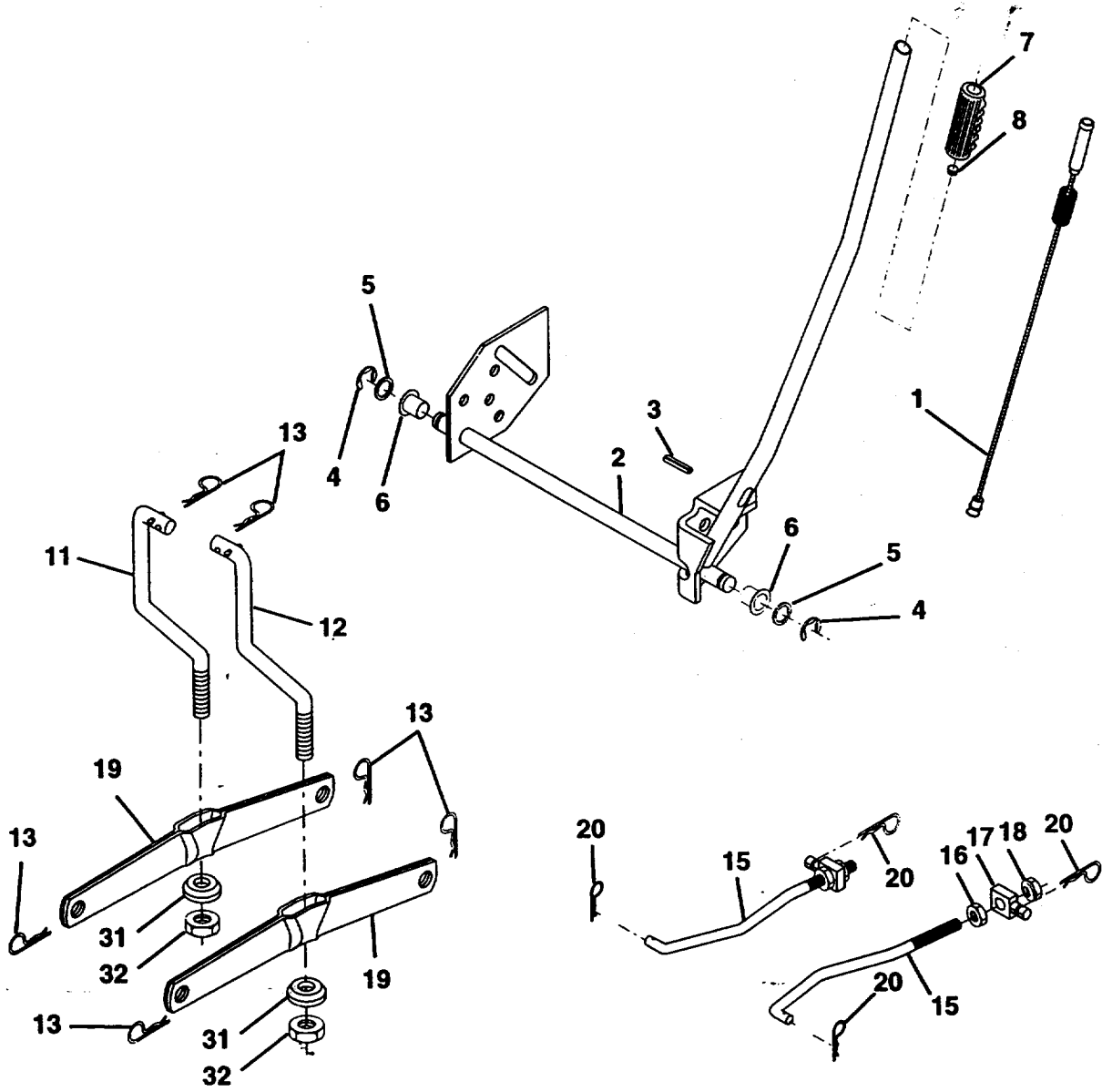


| KEY NO. | PART NO. | DESCRIPTION |
|---------|------------|---|
| 1 | 59192 | Valve Cap, Tire |
| 2 | 65139 | Stem, Valve |
| 3 | 106222X | Tire, Front |
| 4 | 59904 | Tube, Front Tire (Not Provided, Service Item Only) |
| 5 | 106732X427 | Rim, Front |
| 6 | 278H | Fitting, Grease (Front Wheel Only) |
| 7 | 9040H | Bearing, Flange (Front Wheel Only) |
| 8 | 106108X427 | Rim, Rear |
| 9 | 122082X | Tire, Rear |
| 10 | 7152J | Tube, Rear Tire (Not Provided, Service Item Only) |
| 11 | 104757X | Cap, Axle |
| -- | 144334 | Sealant, Tire 10 oz. |

NOTE: All component dimensions given in U.S. inches
1 inch = 25.4 mm

TRACTOR - - MODEL NUMBER 917.271011

LIFT ASSEMBLY



TRACTOR -- MODEL NUMBER 917.271011

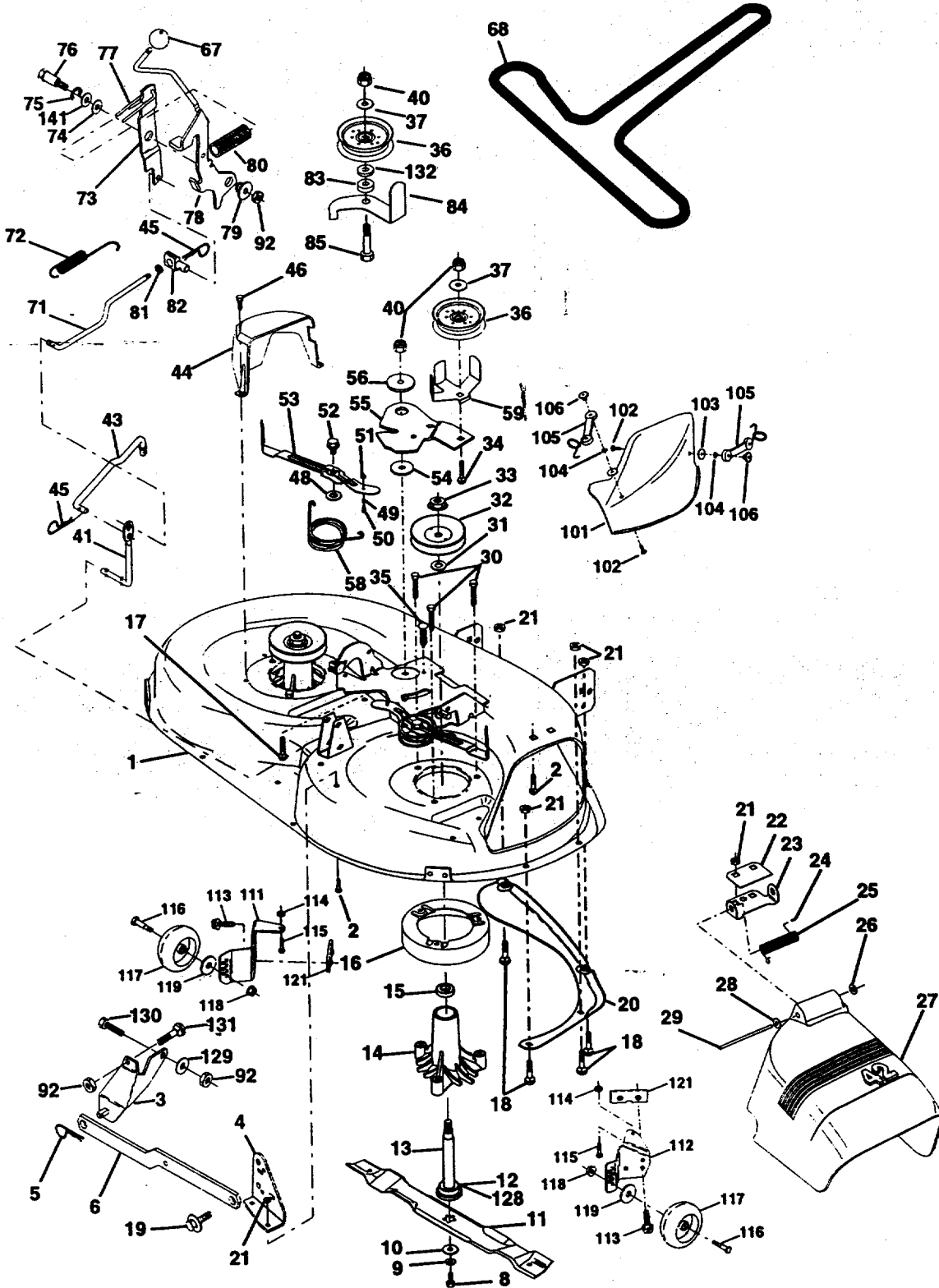
LIFT ASSEMBLY

| KEY NO. | PART NO. | DESCRIPTION |
|---------|-----------|----------------------------------|
| 1 | 159460 | Wire Asm Inner/Sprg w/Plunger LT |
| 2 | 159471 | Shaft Asm. Lift |
| 3 | 105767X | Pin Groove |
| 4 | 12000002 | E Ring #5133-62 |
| 5 | 19211621 | Washer 21/32 x 1 x 21 Ga. |
| 6 | 120183X | Bearing Nylon |
| 7 | 125631X | Grip Handle Fluted |
| 8 | 122365X | Button Plunger Red |
| 11 | 139865 | Link Lift Lh Fixed Length |
| 12 | 139866 | Link Lift Rh Fixed Length |
| 13 | STD624008 | Retainer Spring |
| 15 | 127218 | Link Front |
| 16 | 73350800 | Nut Jam Hex 1/2-13 Unc |
| 17 | 130171 | Trunnion Blk Zinc |
| 18 | 73680800 | Nut Crownlock 1/2-13 Unc |
| 19 | 139868 | Arm, Suspension Rear |
| 20 | 163552 | Retainer Spring |
| 31 | 140302 | Bearing, Pivot, Lift Spherical |
| 32 | 73540600 | Nut, Crownlock 3/8-24 |

NOTE: All component dimensions given in U.S. inches
1 inch = 25.4 mm

TRACTOR -- MODEL NUMBER 917.271011

MOWER DECK



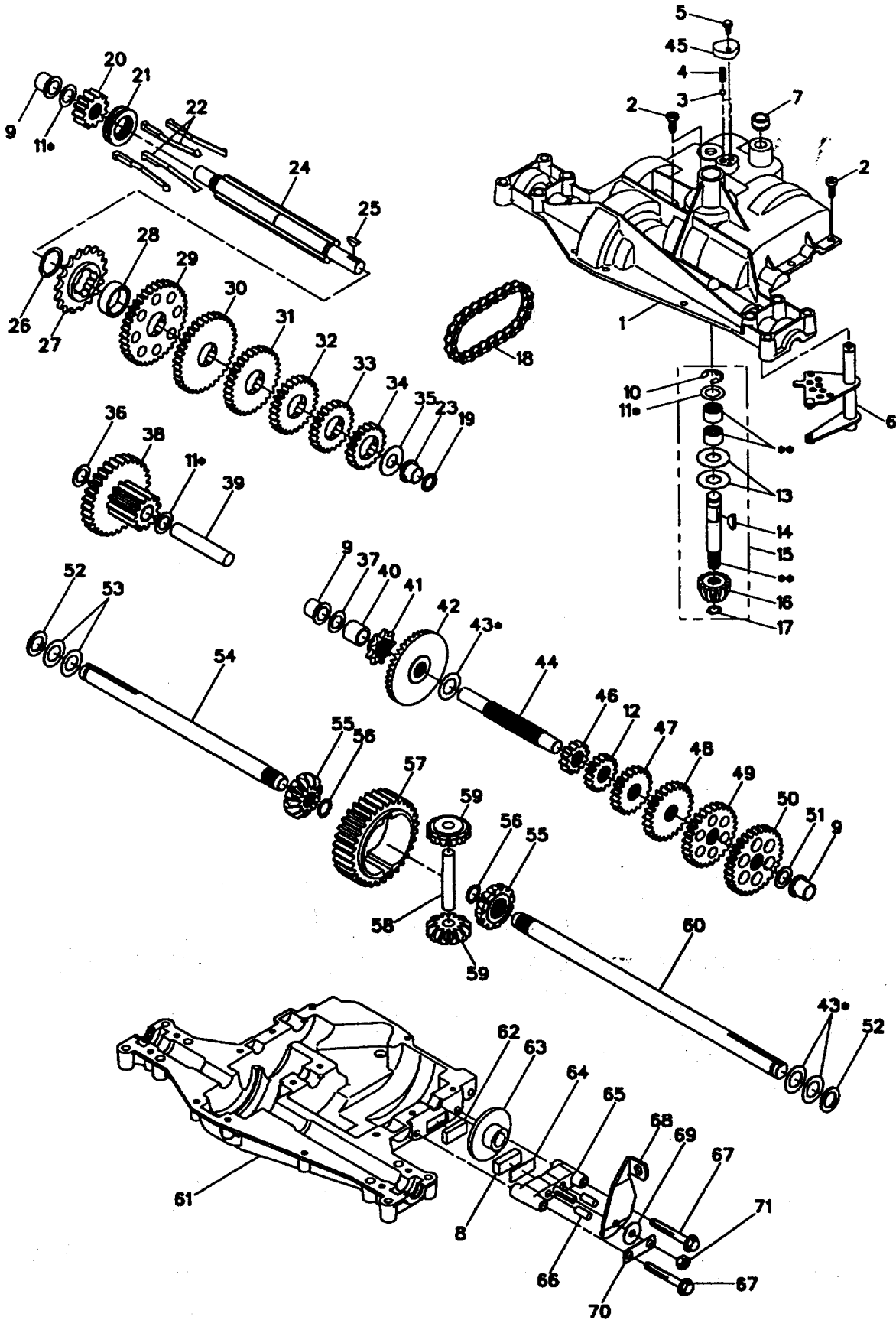
TRACTOR - - MODEL NUMBER 917.271011

MOWER DECK

| KEY NO. | PART NO. | DESCRIPTION | KEY NO. | PART NO. | DESCRIPTION |
|---------|-----------|---|---------|-----------|---|
| 1 | 144393 | Mower Housing | 56 | 122052X | Spacer, Retainer |
| 2 | STD533107 | Bolt | 58 | 140086 | Spring, Torsion Brakes |
| 3 | 138017 | Bracket Assembly, Sway Bar, Front | 59 | 141043 | Guard, TUV Idler |
| 4 | 138440 | Bracket Assembly, Sway Bar | 67 | 162113 | Knob Custom Oval |
| 5 | STD624008 | Retainer Spring | 68 | 144200 | V-Belt |
| 6 | 130832 | Arm, Suspension, Rear | 71 | 142427 | Rod, Clutch, Primary, with Nibs |
| 8 | 850857 | Bolt, Hex 3/8-24 x 1.25 Grade 8 | 72 | 131870 | Spring, Return |
| 9 | STD551137 | Washer, Lock | 73 | 127847 | Arm, Clutch, Secondary |
| 10 | 140296 | Washer, Hardened | 74 | 121748X | Washer 25/32 x 1-5/8 x 16 Gauge |
| 11 | 134149 | Blade, Mulching | 75 | 12000029 | Ring, Klip |
| 12 | 129895 | Bearing, Ball | 76 | 128903 | Bolt, Shoulder 3/8-16 UNC x 1.44 |
| 13 | 137645 | Shaft Assembly, Mandrel, Vented (Includes Key Number 6) | 77 | 127845 | Keeper, Spring |
| 14 | 128774 | Housing, Mandrel, Vented | 78 | 160570 | Lever Asm. Clutch Pri Plm STLT |
| 15 | 110485X | Bearing, Ball, Mandrel | 79 | 127498 | Bushing, Large, Brass |
| 16 | 140329 | Stripper, Vented Mower Deck | 80 | 153701 | Spring, Mower Clutch |
| 17 | 72110610 | Bolt, Carriage 3/8-16 x 1-1/4 | 81 | STD541237 | Nut, Hex Jam 3/8-16 Unc |
| 18 | STD533106 | Bolt, Carriage 5/16-18 x 5/8 | 82 | 142028 | Trunnion, Adj. |
| 19 | 132827 | Bolt, Shoulder | 83 | 120958X | Washer Sintered |
| 20 | 159770 | Baffle, Vortex | 84 | 156084 | Keeper Belt Idler |
| 21 | STD541431 | Nut Crownlock 5/16-18 UNC | 85 | 72140618 | Bolt Carriage 3/8-16 x 2-1/4 |
| 22 | 134753 | Stiffener Bracket | 92 | STD541437 | Nut |
| 23 | 131267 | Bracket, Deflector | 101 | 136420 | Mulcher Cover |
| 24 | 105304X | Cap, Sleeve | 102 | 71161010 | Screw |
| 25 | 123713X | Spring, Torsion, Deflector | 103 | 19061216 | Washer #10 |
| 26 | 110452X | Nut, Push | 104 | STD551110 | Washer, Lock |
| 27 | 130968 | Shield, Deflector | 105 | 160793 | Latch Assembly, Bagger |
| 28 | 19111016 | Washer 11/32 x 5/8 x 16 Gauge | 106 | 2029J | Nut, Weld |
| 29 | 131491 | Rod, Hinge | 111 | 155197 | Bracket, Gauge, Wheel L.H. |
| 30 | 157722 | Screw Thdrol Washer Head | 112 | 155198 | Bracket, Gauge, Wheel R.H. |
| 31 | 129963 | Washer, Spacer | 113 | 17490512 | Screw Thdrol 5/16-18 x 3/4 |
| 32 | 153535 | Pulley, Mandrel | 114 | STD541431 | Nut, Hex, Keps 5/16-18 UNC |
| 33 | 137266 | Nut, Toplock, Flanged | 115 | 72110504 | Bolt, Carriage 5/16 UNC x 1/2 |
| 34 | STD533717 | Bolt | 116 | 137644 | Bolt, Shoulder |
| 35 | 133835 | Fastner, Christmas Tree | 117 | 133957 | Wheel, Gauge |
| 36 | 131494 | Pulley, Idler, Flat | 118 | 73930600 | Nut, Centerlock 3/8-16 |
| 37 | STD551037 | Washer 13/32 x 13/16 x 16 Gauge | 119 | STD551037 | Washer 3/8 x 7/8 x 14 Gauge |
| 40 | STD541437 | Nut Crownlock 3/8-16 UNC | 121 | 143723 | Bracket |
| 41 | 133551 | Rod, Pivot, with Nibs | 128 | 153390 | Washer Felt |
| 43 | 140083 | Rod, Clutch, Secondary, with Nibs | 129 | 19131312 | Washer 13/32 x 13/16 x 12 Ga. |
| 44 | 140088 | Guard, Mandrel, L.H. | 130 | STD523710 | Bolt, Fin Hex 3/8-16 UNC x 1 Gr. 5 |
| 45 | STD624003 | Retainer | 131 | STD533710 | Bolt, RDHD SQNK 3/8-16 UNC x 1 |
| 46 | 137729 | Screw, Thd. Roll 1/4-20 x 5/8 | 132 | 19132203 | Spacer, Washer 13/32 I.D. x 1-3/8 O.D. x 1/4 |
| 48 | 133944 | Washer, Hardened | 141 | 6266H | Washer Thrust .75 x 1.230 |
| 49 | 155066 | Roller Assembly, Cam Follower | -- | 130794 | Mandrel Assembly (Includes Key Numbers 8-10, 12-15, 31 and 32) |
| 50 | 131340 | Bolt, Shoulder #10-24 Grade 5 | -- | 145411 | Mower Deck, Complete (Standard Deck, Order Separately Mulcher Plate and Gauge Wheel Components, Key Nos. 101-106 and 111-121) |
| 51 | STD541410 | Locknut | | | |
| 52 | 139888 | Bolt, Shoulder 5/16-18 UNC | | | |
| 53 | 131845 | Arm Assembly, Pad, Brake | | | |
| 54 | 133943 | Washer, Hardened | | | |
| 55 | 155046 | Arm, Idler | | | |

NOTE: All component dimensions given in U.S.inches
1 inch = 25.4 mm

TRACTOR -- MODEL NUMBER 917.271011
DANA TRANSAXLE -- MODEL NUMBER 4360-122



TRACTOR - - MODEL NUMBER 917.271011

DANA TRANSAXLE - - MODEL NUMBER 4360-122

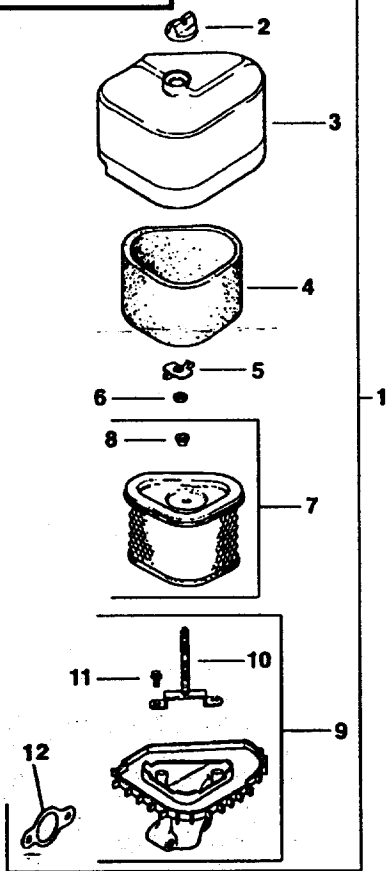
| KEY NO. | PART NO. | DESCRIPTION | KEY NO. | PART NO. | DESCRIPTION |
|---------|----------|-----------------------------------|---------|----------|-----------------------------------|
| 1 | 160955 | Housing, Upper | 37 | 2231J | Washer, Plain, .632 X 1.00 X .031 |
| 2 | 2274J | Screw, Tapping, 1/4-20 X .734 | 38 | 160944 | Assy, Gear, Comb., 12T & 30T |
| 3 | 134400 | Ball, Detent | 39 | 124639X | Shaft, Idler |
| 4 | 105904X | Spring, Detent | 40 | 120472X | Spacer, .633 X .87 X .755 |
| 5 | 160940 | Screw, Tapping, No. 10-24 X .482 | 41 | 105928X | Sprocket, 9T |
| 6 | 134788 | Assy, Kit, Shifter | 42 | 161565 | Gear, Bevel, 36T |
| 7 | 108727X | V-Ring | 43 | 134394 | Assy, Kit, Shim, .750 Shaft |
| 8 | 120951X | Puck, Friction | 44 | 120473X | Shaft, Drive |
| 9 | 148266 | Bearing, Flange | 45 | 160942 | Cover, Detent |
| 10 | 2225J | Ring, Retaining | 46 | 142678 | Gear, Spur, 12T |
| 11 | 134793 | Assy, Kit, Shim, .625 Shaft | 47 | 124641X | Gear, Spur, 20T |
| 12 | 143697 | Gear, Spur, 15T | 48 | 106589X | Gear, Spur, 25T |
| 13 | 120415X | Washer, Plain, .632 X 1.38 X .046 | 49 | 120408X | Gear, Spur, 28T |
| 14 | 142674 | Key, Woodruff, No. 9 | 50 | 105937X | Gear, Spur, 31T |
| 15 | 161563 | Assy, Kit, Input Shaft | 51 | 2226J | Washer, Plain, .632 X 1.00 X .060 |
| 16 | 161564 | Pinion, Bevel, 12T | 52 | 134401 | Washer, Neoprene |
| 17 | 105909X | Ring, Retaining | 53 | 2264J | Washer, Plain, .758 X 1.25 X .031 |
| 18 | 105910X | Chain, 24 Pitches | 54 | 160946 | Axle, LH |
| 19 | 148269 | Seal, Oil | 55 | 160947 | Gear, Miter, 12T, Splined |
| 20 | 160943 | Gear, Spur, 12T | 56 | 160948 | Ring, Retaining |
| 21 | 138246 | Collar, Clutch | 57 | 110071X | Gear, Spur, 32T |
| 22 | 138238 | Assy, Kit, Clutch Keys | 58 | 120952X | Shaft, Cross |
| 23 | 148268 | Bearing, Flange | 59 | 160949 | Gear, Miter, 12T, Idler |
| 24 | 143673 | Shaft, Intermediate | 60 | 160950 | Axle, RH |
| 25 | 2244J | Key, Woodruff, No. 61 | 61 | 160951 | Housing, Lower |
| 26 | 105916X | Ring, Retaining | 62 | 120961X | Puck, Friction |
| 27 | 120470X | Sprocket, 18T | 63 | 7294J | Disc, Brake |
| 28 | 110070X | Spacer, 1.131 X 1.45 X .494 | 64 | 108989X | Spacer, Brake Puck |
| 29 | 142677 | Gear, Spur, 37T | 65 | 160952 | Jaw, Brake |
| 30 | 142681 | Gear, Spur, 35T | 66 | 120954X | Pin, Dowel |
| 31 | 124644X | Gear, Spur, 30T | 67 | 160953 | Screw, Tapping, 5/16-18 X 2.35 |
| 32 | 108980X | Gear, Spur, 25T | 68 | 138244 | Lever, Actuating |
| 33 | 120406X | Gear, Spur, 22T | 69 | 108996X | Washer, Plain, .321 X 1.00 X .055 |
| 34 | 134796 | Gear, Spur, 19T | 70 | 160954 | Bracket, Anti-Rotation |
| 35 | 105925X | Washer, Plain, .640 X 1.37 X .061 | 71 | 73810500 | Nut, Lock, 5/16-24 |
| 36 | 2228J | Washer, Plain, .632 X 1.00 X .046 | 72 | 120416X | Grease |

NOTE: All component dimensions given in U.S. inches
1 inch = 25.4 mm

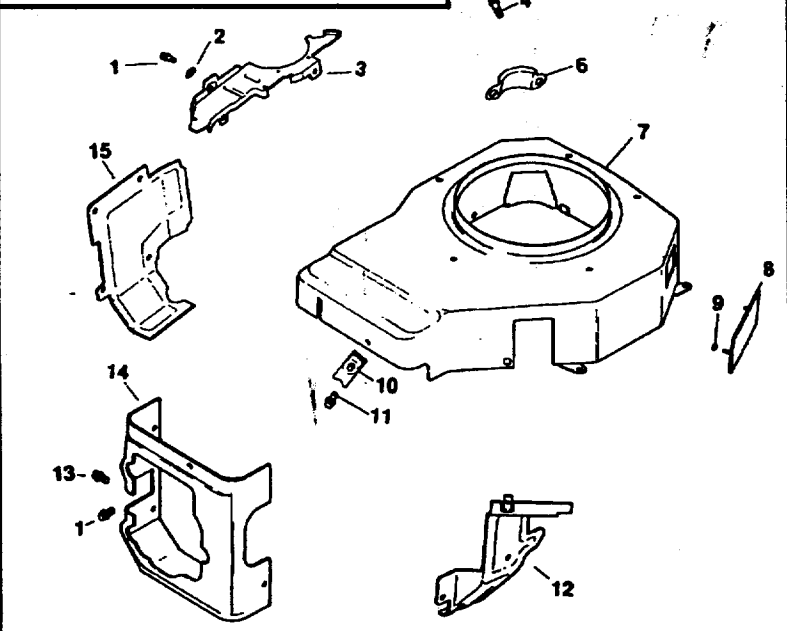
TRACTOR -- MODEL NUMBER 917.271011

KOHLER ENGINE - MODEL NUMBER CV15S, TYPE NUMBER PS-41567

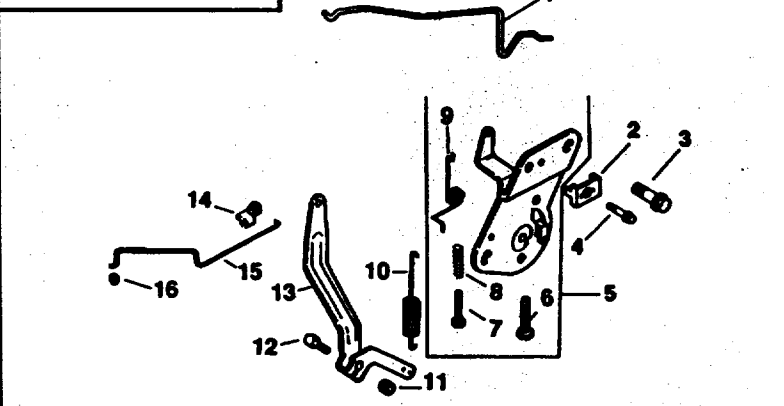
AIR INTAKE



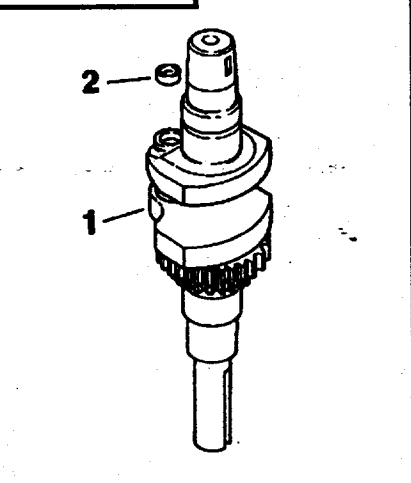
BLOWER HOUSING AND BAFFLES



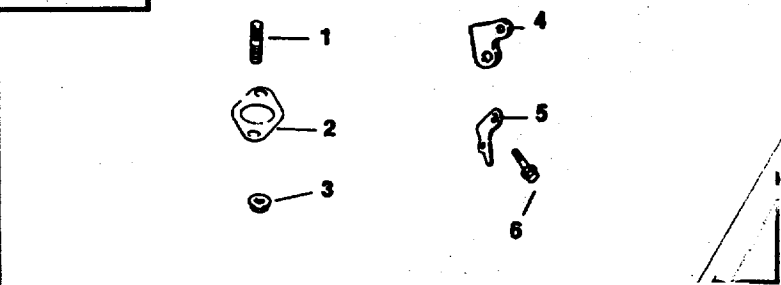
ENGINE CONTROLS



CRANKSHAFT



EXHAUST



TRACTOR - - MODEL NUMBER 917.271011

KOHLER ENGINE - MODEL NUMBER CV15S, TYPE NUMBER PS-41567

AIR INTAKE

| KEY NO. | PART NO. | DESCRIPTION |
|---------|-----------|---|
| 1 | 12-743-05 | Kit, Air Cleaner (Incl. Key Numbers 2 thru 12) |
| 2 | 25-341-02 | Knob, Air Cleaner Cover |
| 3 | 12-096-24 | Cover, Air Cleaner |
| 4 | 12-083-08 | Precleaner Element |
| 5 | 12-100-01 | Wing Nut |
| 6 | X-25-63 | Washer, Plain 1/4 |
| 7 | 12-083-05 | Element, Air Cleaner (Incl. #7) |
| 8 | 12-313-04 | Grommet |
| 9 | 12-094-12 | Base, Air Cleaner (Incl. Key Numbers 9 and 10) |
| 10 | 12-072-05 | Stud, Mntg Plate M6 x 1.0 x 66 |
| 11 | 12-086-01 | Screw, #10 Hi-Lo Thread Forming (2) |
| 12 | 12-04T-02 | Gasket, Air Cleaner |

NOT ILLUSTRATED

| | | |
|----|-----------|--------------------|
| -- | 12-113-53 | Decal, Air Cleaner |
|----|-----------|--------------------|

CRANKSHAFT

| KEY NO. | PART NO. | DESCRIPTION |
|---------|-----------|-------------|
| 1 | 12-014-37 | Crankshaft |
| 2 | 12-139-01 | Plug, Cup |

BLOWER HOUSING AND BAFFLES

| KEY NO. | PART NO. | DESCRIPTION |
|---------|-----------|--|
| 1 | M-0545010 | Screw, Hex Flange M5 x 0.8 x 10 (8) |
| 2 | 24-468-10 | Washer, Plain 1/4 |
| 3 | 12-146-07 | Plate, Blower Housing |
| 4 | M-0645020 | Screw, Hex Flange M6 x 1.0 x 20 |
| 6 | 24-096-05 | Cover, Pinion |
| 7 | 12-027-32 | Housing, Blower |
| 9 | 12-141-01 | Ring, Retainer (2) |
| 8 | 12-096-28 | Cover |
| 10 | 25-154-02 | Clip, Mounting (3) |
| 11 | M-0545020 | Screw, Hex Flange M5 x .8 x 20 (3) |
| 12 | 12-063-05 | Baffle, Intake Side |
| 13 | M-0645016 | Screw, Hex Flange M6 x 1.0 x 16 (2) |
| 14 | 12-063-08 | Baffle, Cylinder Head |
| 15 | 12-063-01 | Baffle, Cylinder |

NOT ILLUSTRATED

| | | |
|----|-----------|-------------------|
| -- | 12-113-64 | Decal, Horsepower |
|----|-----------|-------------------|

ENGINE CONTROLS

| KEY NO. | PART NO. | DESCRIPTION |
|---------|------------|---|
| 1 | 12-079-07 | Linkage, Choke |
| 2 | 12-237-01 | Clamp, Cable |
| 3 | M-0664020 | Screw, Locked Socket M6 x 1.0 x 20 (2) |
| 4 | M-0545016 | Screw, Hex Flange M5 x .8 x 16 |
| 5 | 12-536-09 | Control, Speed Assembly (Includes Key Numbers 6 through 9) |
| 6 | M-0443020 | Screw, Pan Head M4 x 0.7 x 20 |
| 7 | SM-0443025 | Screw, Pan Head M4 x 0.7 x 25 |
| 8 | 12-089-11 | Spring, Choke Adjust (2) |
| 9 | 12-089-23 | Spring, Choke Return |
| 10 | 12-089-24 | Spring, Governor |
| 11 | M-0641060 | Nut, Hex Flange M6 x 1.0 |
| 12 | SM-0642025 | Screw, Hex Flange M6 x 1.0 x 25 |
| 13 | 12-090-05 | Lever, Governor |
| 14 | 25-158-11 | Bushing, Throttle Linkage |
| 15 | 12-079-01 | Linkage, Throttle |
| 16 | 25-158-08 | Bushing, Linkage Retaining |

EXHAUST

| KEY NO. | PART NO. | DESCRIPTION |
|---------|-----------|--|
| 1 | M-0829033 | Stud, M8 x 1.25 x 33 (2) |
| 2 | 12-041-03 | Gasket, Exhaust Manifold |
| 3 | M-0841080 | Nut, Hex Flange M8 x 1.25 (2) |
| 4 | 12-126-11 | Bracket, Muffler |
| 5 | 12-445-06 | Strap, Lifting |
| 6 | M-0645025 | Screw, Hex Flange M6 x 1.0 x 25 (2) |

NOT ILLUSTRATED

| KEY NO. | PART NO. | DESCRIPTION |
|---------|-----------|-------------|
| -- | 12-522-18 | Short Block |
| -- | 12-755-59 | Gasket Set |

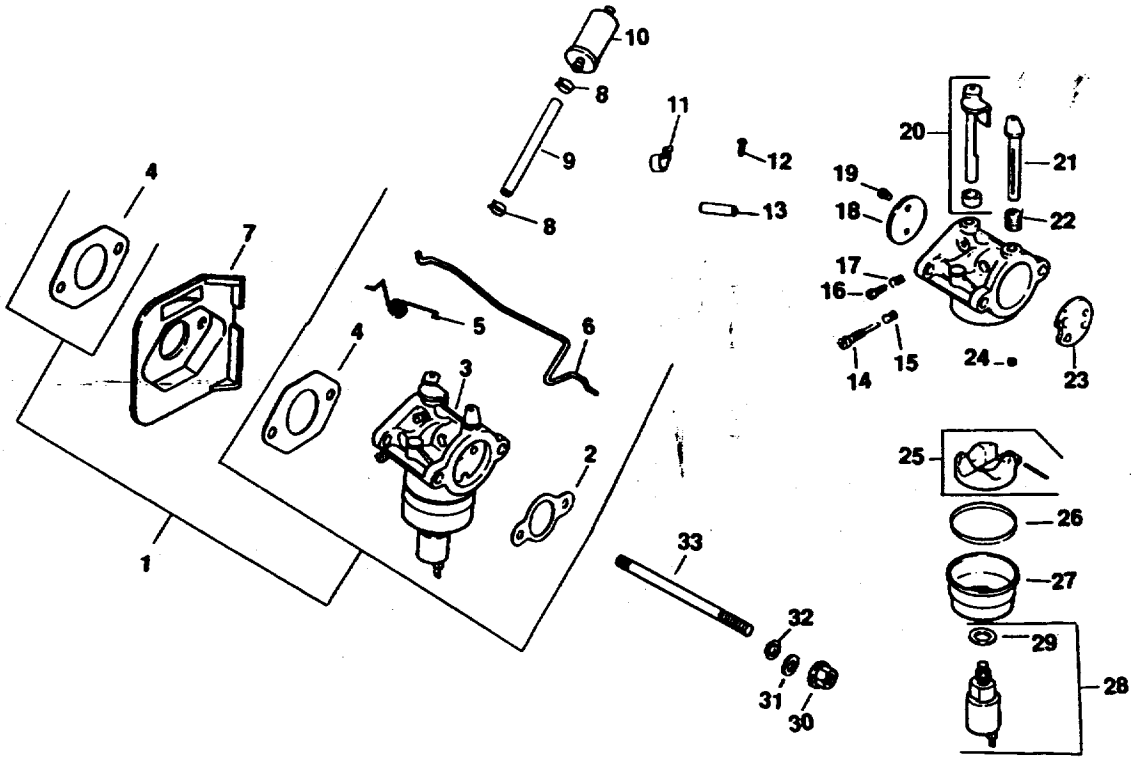
RPM Settings: Low Speed: 1500-2000
RPM Settings: High Speed: 3200-3400

NOTE: All component dimensions given in U.S. inches
1 inch = 25.4 mm

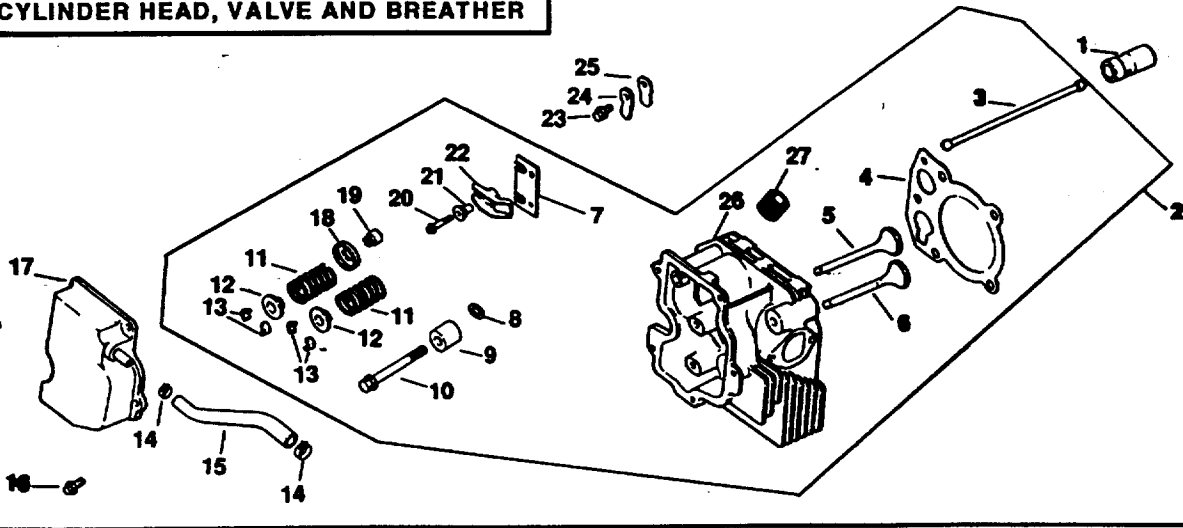
TRACTOR - - MODEL NUMBER 917.271011

KOHLER ENGINE - MODEL NUMBER CV15S, TYPE NUMBER PS-41567

FUEL SYSTEM



CYLINDER HEAD, VALVE AND BREATHER



TRACTOR - - MODEL NUMBER 917.271011

KOHLER ENGINE - MODEL NUMBER CV15S, TYPE NUMBER PS-41567

FUEL SYSTEM

| KEY NO. | PART NO. | DESCRIPTION |
|---------|-----------|--|
| 1 | 12-853-56 | Kit, Carburetor (Incl. #2 thru 6) |
| 2 | 12-041-02 | Gasket, Air Cleaner |
| 3 | 12-053-56 | Carburetor Assembly (For Information Only - Not Available Separately) (Incl. Key Numbers 12 thru 27) |
| 4 | 12-041-01 | Gasket, Carburetor (2) |
| 5 | 12-089-23 | Spring, Choke Return |
| 6 | 12-079-07 | Linkage, Choke |
| 7 | 12-265-04 | Deflector, Heat |
| 8 | X-426-9 | Clamp, Hose (2) |
| 9 | 25-353-10 | Line, Fuel, 9" |
| 10 | 25-050-02 | Filter, Fuel |
| 11 | 47-154-01 | Clip, Cable |
| 12 | 12-086-07 | Screw, Hex Cap 8-32 x 3/8 |
| 13 | 12-431-01 | Sleeve, Insulating |
| 14 | 12-368-05 | Needle, Idle, Fuel Adjust |
| 15 | 12-089-09 | Spring, Idle Fuel |
| 16 | 12-086-04 | Screw, Idle Speed Adjust |
| 17 | 12-089-09 | Spring, Idle Speed |
| 18 | 12-146-03 | Plate, Throttle |
| 19 | 25-086-27 | Screw, Throttle Plate (2) |
| 20 | 12-144-09 | Shaft, Throttle with Lever and Seal |
| 21 | 12-144-08 | Shaft, Choke |
| 22 | 12-089-10 | Spring, Choke |
| 23 | 12-146-02 | Plate, Choke |
| 24 | 12-337-03 | Jet, Main |
| 25 | 12-757-02 | Kit, Float |
| 26 | 12-041-05 | Gasket, Bowl |
| 27 | 12-104-01 | Bowl, Fuel |
| 28 | 12-757-09 | Kit, Solenoid Assembly (Includes Key Number 29) |
| 29 | 12-041-06 | Gasket, Bowl Retainer Screw |
| 30 | M-0641060 | Nut, Hex Flange M6 x 1.0 (2) |
| 31 | X-25-63 | Washer, Plain 1/4 |
| 32 | X-22-11 | Washer, Lock 1/4 |
| 33 | M-0629122 | Stud, M6 x 1.0 x 122 (2) |

NOT ILLUSTRATED

| | | |
|----|-----------|---|
| -- | 12-041-01 | Gasket, Carburetor |
| -- | 12-757-03 | Kit, Carburetor Repair |
| -- | 12-518-05 | Lead, Solenoid, Black, 5", 14 Gauge, Uninsulated Push-On Tabs |
| -- | 41-518-34 | Lead, Ground, Green, 5", 18 Gauge Insulated Grip Barrel Eyelets |
| -- | 277563 | Connector |
| -- | 12-454-03 | Tie, Cable |

CYLINDER HEAD, VALVE AND BREATHER

| KEY NO. | PART NO. | DESCRIPTION |
|---------|-----------|---|
| 1 | 12-351-01 | Lifter, Valve (2) |
| 2 | 12-755-60 | Kit, Cylinder Head |
| 3 | 12-411-01 | Rod, Push (2) |
| 4 | 12-041-10 | Gasket, Cylinder Head |
| 5 | 12-017-01 | Valve, Intake, Standard Size |
| | 12-017-02 | Valve, Intake, .25" Oversize |
| 6 | 12-016-01 | Valve, Exhaust, Standard |
| | 12-016-02 | Valve, Exhaust, .25" Oversize |
| 7 | 12-146-13 | Plate, Guide |
| 8 | 12-468-05 | Washer, Plain 13/32 |
| 9 | 12-112-13 | Spacer, Head Bolt Exhaust Port |
| 10 | 12-086-15 | Screw, Hex Flange M10 x 1.5 x 81 (5) |
| 11 | 12-089-01 | Spring, Valve (2) |
| 12 | 12-173-01 | Cap, Valve Spring (2) |
| 13 | 12-755-03 | Kit, Retainer (2) |
| 14 | X-426-9 | Clamp, Hose (2) |
| 15 | 12-326-03 | Hose, Breather |
| 16 | M-0645020 | Screw, Hex Flange M6 x 1.0 x 20 (5) |
| 17 | 12-096-07 | Cover, Valve with Nipple |
| 18 | 235011 | Retainer, Spring |
| 19 | 24-032-05 | Seal, Valve Stem |
| 20 | M-0640034 | Screw, Hex Flange M6 x 1 x 34 (2) |
| 21 | 24-194-01 | Pivot, Rocker Arm (2) |
| 22 | 24-186-03 | Arm, Rocker (2) |
| 23 | M-0545010 | Screw, Hex Flange M5 x 0.8 x 10 |
| 24 | 12-018-01 | Retainer, Breather Reed |
| 25 | 12-402-02 | Reed, Breather |
| 26 | 12-318-09 | Head, Cylinder |
| 27 | X-75-23 | Plug, Pipe, Allen Head 1/8 |

NOTE: All component dimensions given in U.S. inches
1 inch = 25.4 mm

TRACTOR - - MODEL NUMBER 917.271011

KOHLER ENGINE - MODEL NUMBER CV15S, TYPE NUMBER PS-41567

IGNITION / ELECTRICAL

| KEY NO. | PART NO. | DESCRIPTION |
|---------|-----------|--|
| 1 | 12-086-14 | Screw, Hex Flange M10 x 1.5 x 46 |
| 2 | 12-468-03 | Washer, Plain 3/8 |
| 3 | 24-162-03 | Screen, Grass |
| 4 | M-0639016 | Screw, Hex Flange M6 x 1 x 16 (4) |
| 5 | 12-112-01 | Spacer, Fan (4) |
| 6 | 12-157-02 | Fan |
| 7 | X-42-15 | Key |
| 8 | 12-025-37 | Flywheel Assembly |
| 9 | 12-155-02 | Connector (4 Contact) |
| 10 | M-0548025 | Screw, Hex Cap M5 x 0.8 x 25 (2) |
| 11 | M-0545010 | Screw, Hex Flange M5 x 0.8 x 10 (2) |
| 12 | 12-154-02 | Clip, Stator Harness |
| 13 | 12-085-07 | Stator Assembly |
| 14 | 12-132-02 | Spark Plug |
| 15 | X-728-1 | Clip, Cable |
| 16 | 12-584-01 | Module, Ignition |
| 17 | M-0545020 | Screw, Hex Flange M5 x 0.8 x 20 (2) |

NOT ILLUSTRATED

| | | |
|----|-----------|---|
| -- | 12-518-11 | Lead, White, Ground To Kill (19", 18 Gauge, Fully Insulated Push-on Tab and Uninsulated Push-on Tab Terminals) |
|----|-----------|---|

OIL PAN / LUBRICATION

| KEY NO. | PART NO. | DESCRIPTION |
|---------|------------|--|
| 1 | 12-038-01 | Dipstick Assembly (Incl. Key Numbers 2 and 3) |
| 2 | 25-755-13 | Kit, Oil Fill Cap (Incl. Key #3) |
| 3 | 12-153-03 | O-Ring, Dipstick |
| 4 | 12-153-02 | O-Ring, Upper Oil Fill Tube |
| 5 | 12-123-04 | Tube, Oil Fill |
| 6 | M-0545020 | Screw, Hex Flange M5 x 0.8 x 20 |
| 7 | 12-153-01 | O-Ring, Lower Oil Fill Tube |
| 8 | 25-162-07 | Screen, Oil Pick-up |
| 9 | 12-096-03 | Cover, Oil Pick-up Screen |
| 10 | M-0545016 | Screw, Hex Flange M5 x 0.8 x 16 |
| 11 | M-1039025 | Screw, Hex Flange M10 x 1.5 x 25 |
| 12 | 12-126-02 | Bracket, Oil Pump Relief Valve |
| 13 | 12-089-03 | Spring, Oil Pump Relief Valve |
| 14 | 12-462-01 | Piston, Oil Pump Relief Valve |
| 15 | 12-208-01 | Body, Oil Pump Relief Valve |
| 16 | 12-050-01 | Filter, Oil |
| 17 | X-75-10 | Plug, Square Head, Solid 3/8 |
| 18 | 12-393-01 | Oil Pump Assembly |
| 19 | 12-032-04 | O-Ring, Oil Pump Cover |
| 20 | 12-096-02 | Cover, Oil Pump |
| 21 | M-0545016 | Screw, Hex Flange M5 x 0.8 x 16 (3) |
| 22 | 12-032-03 | Seal, Oil (P.T.O. End) |
| 23 | SM-0839045 | Screw, Hex Flange M8 x 1.25 x 45 (12) |
| 24 | 12-199-30 | Pan, Oil |

CRANKCASE

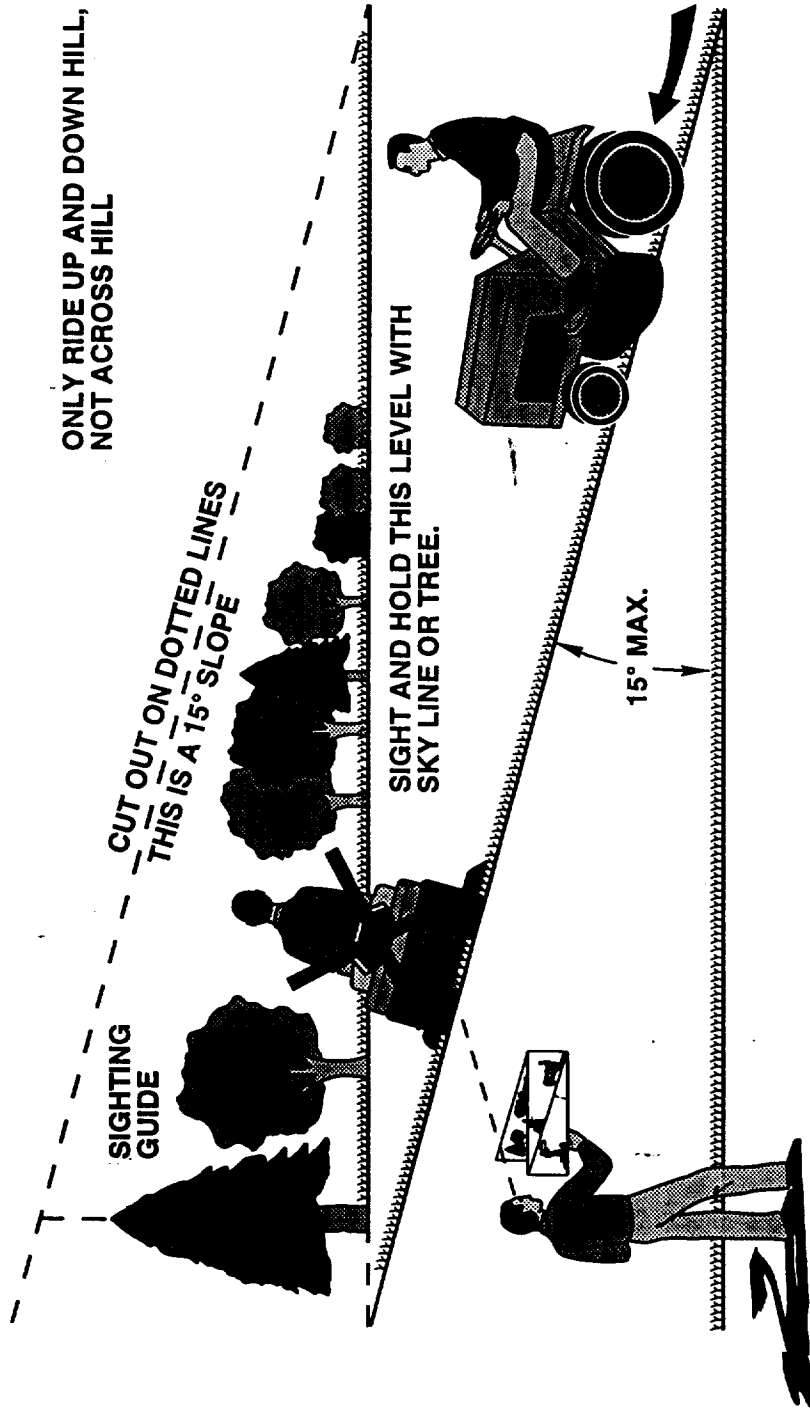
| KEY NO. | PART NO. | DESCRIPTION |
|---------|------------|--|
| 1 | 12-032-03 | Seal, Crankshaft |
| 2 | 12-522-18 | Block, Cylinder (Use Short Block) |
| 3 | 12-445-02 | Strap, Lifting |
| 4 | M-0839025 | Screw, Hex Flange M8 x 1.25 x 25 |
| 5 | 12-380-03 | Dowel, Locating (4) |
| 6 | 12-755-49 | Kit, Camshaft (Incl. Key #7 & 8) |
| 7 | 12-089-18 | Spring, Actuating |
| 8 | 12-422-08 | Shim, Camshaft, Blue |
| | 12-422-09 | Shim, Camshaft, Red (A.R.) |
| | 12-422-10 | Shim, Camshaft, Yellow (A.R.) |
| | 12-422-11 | Shim, Camshaft, Green (A.R.) |
| | 12-422-12 | Shim, Camshaft, Grey (A.R.) |
| | 12-422-13 | Shim, Camshaft, Black (A.R.) |
| | 12-422-07 | Shim, Camshaft, White (A.R.) |
| 9 | 12-144-27 | Shaft, Balance |
| 10 | 12-874-07 | Piston w/Ring Set, Standard |
| | 12-874-08 | Piston w/Ring Set .25" Oversize |
| | 12-874-09 | Piston w/Ring Set .50" Oversize |
| 11 | 12-018-02 | Retainer, Piston Pin (2) |
| 12 | 12-108-07 | Ring Set, Standard |
| | 12-108-08 | Ring Set .25" Oversize |
| | 12-108-09 | Ring Set .50" Oversize |
| 13 | 12-067-05 | Connecting Rod, Standard |
| | 12-067-06 | Connecting Rod .25" Oversize |
| 14 | 12-380-01 | Pin, Governor Regulating |
| 15 | 12-043-05 | Gear, Governor Assembly |
| 16 | M-0631005 | Washer, Plain, 6mm |
| 17 | 12-144-02 | Shaft, Governor Gear |
| 18 | 52-139-09 | Plug, Cup |
| 19 | 12-755-64 | Kit, Shaft, Governor Cross, with Clip (Includes Key #20 and 24) |
| 20 | 12-144-24 | Shaft, Governor Cross |
| 21 | X-25-102 | Washer, Plain 1/4 |
| 22 | 12-032-01 | Seal, Governor Cross Shaft |
| 23 | SM-0631015 | Washer, Plain, 6mm |
| 24 | 12-154-05 | Clip, Hitch Pin |

STARTING SYSTEM

| KEY NO. | PART NO. | DESCRIPTION |
|---------|-----------|--|
| 1 | M-0839070 | Screw, Hex Flange M8 x 1.25 x 70 (2) |
| 2 | 25-098-03 | Starter Assembly (Incl. Key Numbers 3 thru 8) |
| 3 | 12-755-54 | Kit, Drive End |
| 4 | 12-227-06 | Cap, Drive End |
| 5 | 45-170-03 | Armature |
| 7 | 12-227-11 | End Cap, Commutator |
| 8 | 12-086-25 | Screw, Hex Flange 1/4-20 x 4-5/8 (2) |

NOTE: All component dimensions given in U.S. inches
1 inch = 25.4 mm

SUGGESTED GUIDE FOR SIGHTING SLOPES FOR SAFE OPERATION



 Operate your Tractor up and down the face of slopes (not greater than 15°), never across the face. Make turns gradually to prevent tipping or loss of control. Exercise extreme caution when changing direction on slopes.

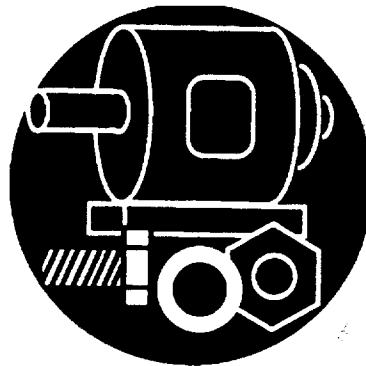
For the repair or replacement parts you need delivered directly to your home

Call 7 am - 7 pm, 7 days a week

1-800-366-PART

(1-800-366-7278)

Para ordenar piezas con entrega a domicilio - 1-800-659-7084



For in-house major brand repair service

Call 24 hours a day, 7 days a week

1-800-4-REPAIR

(1-800-473-7274)

Para pedir servicio de reparación a domicilio - 1-800-676-5811



For the location of a Sears Parts and Repair Center in your area

Call 24 hours a day, 7 days a week

1-800-488-1222



For information on purchasing a Sears Maintenance Agreement or to inquire about an existing Agreement

Call 9 am - 5 pm, Monday-Saturday

1-800-827-6655



When requesting service or ordering parts, always provide the following information:

- Product Type
- Part Number
- Model Number
- Part Description

SEARS
REPAIR SERVICES

America's Repair Specialists