

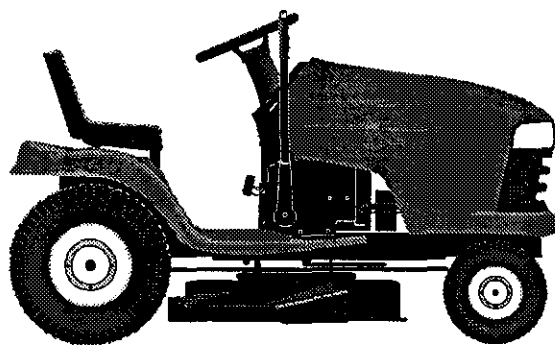
Owner's Manual



**20.0 HP
ELECTRIC START
48" MOWER
AUTOMATIC
LAWN TRACTOR**

Model No.
917.272244

- Safety
- Assembly
- Operation
- Maintenance
- Repair Parts



This product has a low emission engine which operates differently from previously built engines. Before you start the engine, read and understand this Owner's Manual.

CAUTION:

Read and follow all Safety Rules and Instructions before operating this equipment.

For answers to your questions about this product, Call:

1-800-659-5917
Sears Craftsman Help Line
5 am - 5 pm, Mon - Sat

Sears, Roebuck and Co., Hoffman Estates, IL 60179
Visit our Craftsman website: www.sears.com/craftsman

TABLE OF CONTENTS

| | | | |
|------------------------------|----|-------------------------------|------------|
| Warranty | 2 | Maintenance | 18 |
| Safety Rules | 3 | Service and Adjustments | 22 |
| Product Specifications | 6 | Storage | 29 |
| Assembly | 8 | Troubleshooting | 30 |
| Operation | 12 | Repair Parts | 34 |
| Maintenance Schedule | 18 | Parts Ordering | Back Cover |

WARRANTY

LIMITED TWO YEAR WARRANTY ON CRAFTSMAN RIDING EQUIPMENT PARTS

For two (2) years from the date of purchase, if this Craftsman Riding Equipment is maintained, lubricated and tuned up according to the instructions in the owner's manual, Sears will repair or replace, free of charge, any parts found to be defective in material or workmanship. Warranty service is available free of charge by returning your Craftsman riding equipment to your nearest Sears Service Center. In-home warranty service is available but a trip charge will apply. This warranty applies only while this product is in the United States.

This Warranty does not cover:

- Expendable items which become worn during normal use, such as blades, spark plugs, air cleaners, belts and oil filters.
- Tire replacement or repair caused by punctures from outside objects, such as nails, thorns, stumps, or glass.
- Repairs necessary because of operator abuse, including but not limited to, damage caused by towing objects beyond the capability of the riding equipment, impacting objects that bend the frame or crankshaft, or over speeding the engine.
- Repairs necessary because of operator negligence, including but not limited to, electrical and mechanical damage caused by improper storage, failure to use the proper grade and amount of engine oil, failure to keep the deck clear of flammable debris, or the failure to maintain the equipment according to the instructions contained in the owner's manual.
- Engine (fuel system) cleaning or repairs caused by fuel determined to be contaminated or oxidized (stale). In general, fuel should be used within thirty (30) days of its purchase date.
- Riding equipment used for commercial or rental purposes. A product is "used for commercial purpose" if it is used for any purpose other than single family household dwellings or in usage where profit is made.

LIMITED 90 DAY WARRANTY ON BATTERY

For ninety (90) days from date of purchase, if any battery included with this riding equipment proves defective in material or workmanship and our testing determines the battery will not hold a charge, Sears will replace the battery at no charge. Warranty service is available free of charge by returning your Craftsman riding equipment to your nearest Sears Service Center. In-home warranty service is available but a trip charge will apply. This warranty applies only while this product is in the United States.

TO LOCATE THE NEAREST SEARS SERVICE CENTER OR TO SCHEDULE IN-HOME WARRANTY SERVICE, SIMPLY CONTACT SEARS AT 1-800-4-MY-HOME

This Warranty gives you specific legal rights, and you may also have other rights which may vary from state to state.

Sears, Roebuck and Co., D/817 WA, Hoffman Estates, IL 60179

SAFETY RULES

IMPORTANT: This cutting machine is capable of amputating hands and feet and throwing objects. Failure to observe the following safety instructions could result in serious injury or death.

I. GENERAL OPERATION

- Read, understand, and follow all instructions in the manual and on the machine before starting.
- Only allow responsible adults, who are familiar with the instructions, to operate the machine.
- Clear the area of objects such as rocks, toys, wire, etc., which could be picked up and thrown by the blade.
- Be sure the area is clear of other people before mowing. Stop machine if anyone enters the area.
- Never carry passengers.
- Do not mow in reverse unless absolutely necessary. Always look down and behind before and while backing.
- Be aware of the mower discharge direction and do not point it at anyone. Do not operate the mower without either the entire grass catcher or the guard in place.
- Slow down before turning.
- Never leave a running machine unattended. Always turn off blades, set parking brake, stop engine, and remove keys before dismounting.
- Turn off blades when not mowing.
- Stop engine before removing grass catcher or unclogging chute.
- Mow only in daylight or good artificial light.
- Do not operate the machine while under the influence of alcohol or drugs.
- Watch for traffic when operating near or crossing roadways.
- Use extra care when loading or unloading the machine into a trailer or truck.
- Data indicates that operators, age 60 years and above, are involved in a large percentage of riding mower-related injuries. These operators should evaluate their ability to operate the riding mower safely enough to protect themselves and others from serious injury.
- Keep machine free of grass, leaves or other debris build-up which can touch hot exhaust / engine parts and burn. Do not allow the mower deck to plow leaves or other debris which can cause build-up to occur. Clean any oil or fuel spillage before operating or storing the machine. Allow machine to cool before storage.

II. SLOPE OPERATION

Slopes are a major factor related to loss-of-control and tipover accidents, which can result in severe injury or death. All slopes require extra caution. If you cannot back up the slope or if you feel uneasy on it, do not mow it.

DO:

- Mow up and down slopes, not across.
- Remove obstacles such as rocks, tree limbs, etc.
- Watch for holes, ruts, or bumps. Uneven terrain could overturn the machine. *Tall grass can hide obstacles.*
- Use slow speed. Choose a low gear so that you will not have to stop or shift while on the slope.
- Follow the manufacturer's recommendations for wheel weights or counterweights to improve stability.
- Use extra care with grass catchers or other attachments. These can change the stability of the machine.
- Keep all movement on the slopes *slow* and *gradual*. Do not make sudden changes in speed or direction.
- Avoid starting or stopping on a slope. If tires lose traction, disengage the blades and proceed slowly *straight* down the slope.

DO NOT:

- *Do not* turn on slopes unless necessary, and then, turn slowly and gradually downhill, if possible.
- *Do not* mow near drop-offs, ditches, or embankments. The mower could suddenly turn over if a wheel is over the edge of a cliff or ditch, or if an edge caves in.
- *Do not* mow on wet grass. Reduced traction could cause sliding.
- *Do not* try to stabilize the machine by putting your foot on the ground.
- *Do not* use grass catcher on steep slopes.

SAFETY RULES

III. CHILDREN

Tragic accidents can occur if the operator is not alert to the presence of children. Children are often attracted to the machine and the mowing activity. *Never* assume that children will remain where you last saw them.

- Keep children out of the mowing area and under the watchful care of another responsible adult.
- Be alert and turn machine off if children enter the area.
- Before and when backing, look behind and *down* for small children.
- Never carry children. They may fall off and be seriously injured or interfere with safe machine operation.
- Never allow children to operate the machine.
- Use extra care when approaching blind corners, shrubs, trees, or other objects that may obscure vision.

IV. SERVICE

- Use extra care in handling gasoline and other fuels. They are flammable and vapors are explosive.
 - Use only an approved container.
 - Never remove gas cap or add fuel with the engine running. Allow engine to cool before refueling. Do not smoke.
 - Never refuel the machine indoors.
 - Never store the machine or fuel container inside where there is an open flame, such as a water heater.

- Never run a machine inside a closed area.
- Keep nuts and bolts, especially blade attachment bolts, tight and keep equipment in good condition.
- Never tamper with safety devices. Check their proper operation regularly.
- Keep machine free of grass, leaves, or other debris build-up. Clean oil or fuel spillage. Allow machine to cool before storing.
- Stop and inspect the equipment if you strike an object. Repair, if necessary, before restarting.
- Never make adjustments or repairs with the engine running.
- Grass catcher components are subject to wear, damage, and deterioration, which could expose moving parts or allow objects to be thrown. Frequently check components and replace with manufacturer's recommended parts, when necessary.
- Mower blades are sharp and can cut. Wrap the blade(s) or wear gloves, and use extra caution when servicing them.
- Check brake operation frequently. Adjust and service as required.



- Be sure the area is clear of other people before mowing. Stop machine if anyone enters the area.
- Never carry passengers or children even with the blades off.
- Do not mow in reverse unless absolutely necessary. Always look down and behind before and while backing.
- Never carry children. They may fall off and be seriously injured or interfere with safe machine operation.
- Keep children out of the mowing area and under the watchful care of another responsible adult.
- Be alert and turn machine off if children enter the area.
- Before and when backing, look behind and down for small children.
- Mow up and down slopes (15° Max), not across.
- Remove obstacles such as rocks, tree limbs, etc.
- Watch for holes, ruts, or bumps. Uneven terrain could overturn the machine. Tall grass can hide obstacles.

SAFETY RULES

- Use slow speed. Choose a low gear so that you will not have to stop or shift while on the slope.
- Avoid starting or stopping on a slope. If tires lose traction, disengage the blades and proceed slowly straight down the slope.
- If machine stops while going uphill, disengage blades, shift into reverse and back down slowly.
- Do not turn on slopes unless necessary, and then, turn slowly and gradually downhill, if possible.

⚠ Look for this symbol to point out important safety precautions. It means **CAUTION!!! BECOME ALERT!!! YOUR SAFETY IS INVOLVED.**

⚠ CAUTION: In order to prevent accidental starting when setting up, transporting, adjusting or making repairs, always disconnect spark plug wire and place wire where it cannot contact spark plug.

⚠ CAUTION: Do not coast down a hill in neutral, you may lose control of the tractor.

⚠ CAUTION: Tow only the attachments that are recommended by and comply with specifications of the manufacturer of your tractor. Use common sense when towing. Operate only at the lowest possible speed when on a slope. Too heavy of a load, while on a slope, is dangerous. Tires can lose traction with the ground and cause you to lose control of your tractor.

⚠ WARNING: Engine exhaust, some of its constituents, and certain vehicle components contain or emit chemicals known to the State of California to cause cancer and birth defects or other reproductive harm.

⚠ WARNING: Battery posts, terminals and related accessories contain lead and lead compounds, chemicals known to the State of California to cause cancer and birth defects or other reproductive harm. **Wash hands after handling.**

PRODUCT SPECIFICATIONS

| | |
|-----------------------------|--|
| GASOLINE CAPACITY AND TYPE: | 3.5 GALLONS UNLEADED REGULAR |
| OIL TYPE (API-SF-SJ): | SAE 10W30 (ABOVE 32°F) SAE 5W-30 (BELOW 32°F) |
| OIL CAPACITY: | W/FILTER: 4.5 PINTS W/OFILTER: 4.0 PINTS |
| SPARK PLUG (GAP: .030") | CHAMPION RC12YC |
| GROUND SPEED FORWARD (MPH): | 0-5.5 REVERSE: 0-2.4 |
| TIRE PRESSURE: | FRONT: 14 PSI REAR: 10 PSI |
| CHARGING SYSTEM: | 15 AMPS @ 3600 RPM |
| BATTERY: | AMP/HR: 30 MIN. CCA: 240 CASE SIZE: U1R |
| BLADE BOLT TORQUE: | 45-55 FT. LBS. |

CONGRATULATIONS on your purchase of a new tractor. It has been designed, engineered and manufactured to give you the best possible dependability and performance.

Should you experience any problem you cannot easily remedy, please contact a Sears or other qualified service center.

We have competent, well-trained technicians and the proper tools to service or repair this tractor.

Please read and retain this manual. The instructions will enable you to assemble and maintain your tractor properly.

Always observe the "SAFETY RULES".

REPAIR AGREEMENT

A Repair Agreement is available on this product. Contact your nearest Sears store for details.

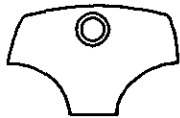
CUSTOMER RESPONSIBILITIES

- Read and observe the safety rules.
- Follow a regular schedule in maintaining, caring for and using your tractor.
- Follow the instructions under "Maintenance" and "Storage" sections of this owner's manual.

⚠WARNING: This tractor is equipped with an internal combustion engine and should not be used on or near any unimproved forest-covered, brush-covered or grass-covered land unless the engine's exhaust system is equipped with a spark arrester meeting applicable local or state laws (if any). If a spark arrester is used, it should be maintained in effective working order by the operator.

In the state of California the above is required by law (Section 4442 of the California Public Resources Code). Other states may have similar laws. Federal laws apply on federal lands. A spark arrester for the muffler is available through your nearest Sears service center (See REPAIR PARTS section of this manual).

UNASSEMBLED PARTS

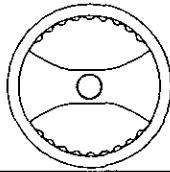


Steering Wheel Insert

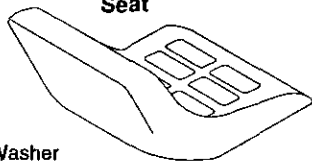
Steering Wheel



Steering Sleeve



Seat

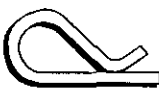


(1) Washer
17/32 x 1-3/16 x 12 Gauge



(1) Knob

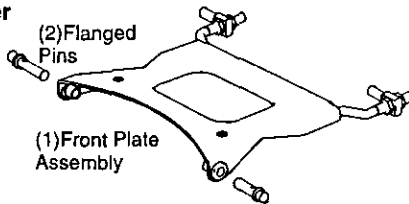
(5) Retainer Springs
(double loop)



(2) Retainer Springs (single loop)

Mower

(2) Flanged Pins



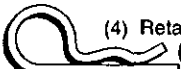
(1) Front Plate Assembly

(4) Adjusting Bar

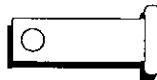


Gauge Wheels

(4) Retainer Springs
(double loop)



(4) Clevis Pins



(4) Locknut
3/8-16



(4) Wheels



(4) Washers
3/8 x 3/4 x 14 Ga.



(4) Shoulder Bolt



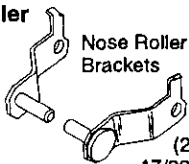
Nose Roller



Nose Roller



(2) Hex Bolts
5/16-18 x 1

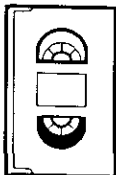


Nose Roller
Brackets

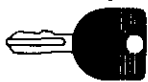
(2) Washers
17/32 x 7/8 x 16 Ga.



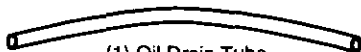
Video Cassette



Keys

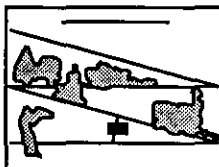


(2) Keys



(1) Oil Drain Tube
For Future Use

Slope Sheet



ASSEMBLY

Your new tractor has been assembled at the factory with exception of those parts left unassembled for shipping purposes. To ensure safe and proper operation of your tractor all parts and hardware you assemble must be tightened securely. Use the correct tools as necessary to insure proper tightness. Review the video cassette before you begin.

TOOLS REQUIRED FOR ASSEMBLY

A socket wrench set will make assembly easier. Standard wrench sizes you need are listed below.

- | | |
|-------------------------|-------------------------------------|
| (2) 9/16" wrench | (1) 3/4" Socket w/ drive ratchet |
| (1) 1/2" wrench | |
| (1) Utility knife | (1) Pliers |
| (1) Tire pressure gauge | |

When right or left hand is mentioned in this manual, it means, from your point of view, when you are in the operating position (seated behind the steering wheel).

TO REMOVE TRACTOR FROM CARTON

UNPACK CARTON

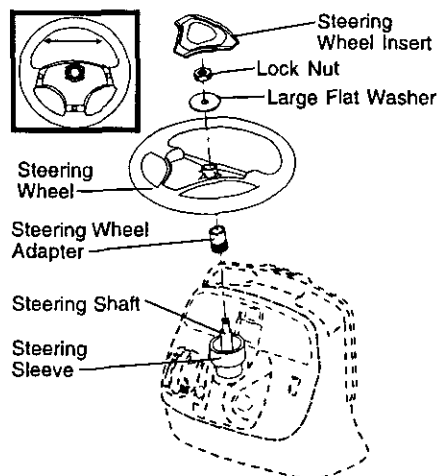
1. Remove all accessible loose parts and parts cartons from carton.
2. Cut, from top to bottom, along lines on all four corners of carton, and lay panels flat.
3. Remove mower and packing materials.
4. Check for any additional loose parts or cartons and remove.

BEFORE REMOVING TRACTOR FROM SKID

ATTACH STEERING WHEEL

1. Remove locknut and large flat washer from steering shaft.
2. Position front wheels of the tractor so they are pointing straight forward.
3. Slide the steering sleeve over the steering shaft.
4. Position steering wheel so cross bars are horizontal (left to right) and slide onto steering wheel adapter.
5. Secure steering wheel to steering shaft with locknut and large flat washer previously removed. Tighten securely.
6. Snap steering wheel insert into center of steering wheel.
7. Remove protective materials from tractor hood and grill.

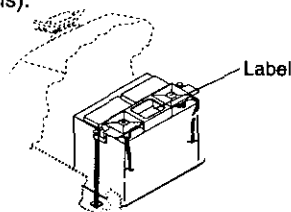
IMPORTANT: Check for and remove any staples in skid that may puncture tires where tractor is to roll off skid.



HOW TO SET UP YOUR TRACTOR

CHECK BATTERY

1. Lift hood to raised position.
- NOTE:** If this battery is put into service after month and year indicated on label (label located between terminals) charge battery for minimum of one hour at 6-10 amps. (See "BATTERY" in Maintenance section of this manual for charging instructions).

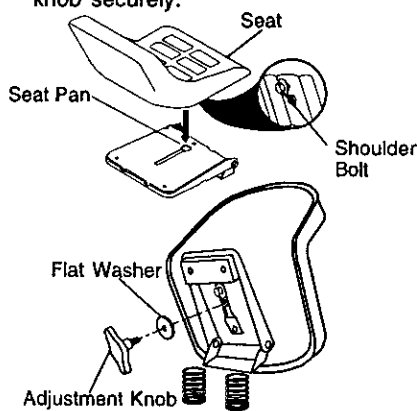


INSTALL SEAT

Adjust seat before tightening adjustment knob.

1. Remove adjustment knob and flat washer securing seat to cardboard packing and set aside for assembly of seat to tractor.
2. Pivot seat upward and remove from the cardboard packing. Remove the cardboard packing and discard.
3. Place seat on seat pan so head of shoulder bolt is positioned over large slotted hole in pan.

4. Push down on seat to engage shoulder bolt in slot and pull seat towards rear of tractor.
5. Pivot seat and pan forward and assemble adjustment knob and flat washer loosely. Do not tighten.
6. Lower seat into operating position and sit in seat.
7. Slide seat until a comfortable position is reached which allows you to press clutch/brake pedal all the way down.
8. Get off seat without moving its adjusted position.
9. Raise seat and tighten adjustment knob securely.



NOTE: You may now roll or drive your tractor off the skid. Follow the appropriate instruction below to remove the tractor from the skid.

TO ROLL TRACTOR OFF SKID (See Operation section for location and function of controls)

1. Press lift lever plunger and raise attachment lift lever to its highest position.
2. Release parking brake by depressing brake pedal.
3. Place freewheel control in freewheeling position to disengage transmission (See "TO TRANSPORT" in the Operation section of this manual).
4. Roll tractor forward off skid.

TO DRIVE TRACTOR OFF SKID (See Operation section for location and function of controls)

⚠ WARNING: Before starting, read, understand and follow all instructions in the Operation section of this manual. Be sure tractor is in a well-ventilated area. Be sure the area in front of tractor is clear of other people and objects.

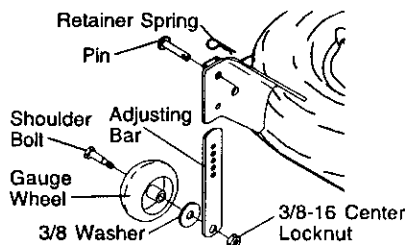
1. Be sure all the above assembly steps have been completed.
2. Check engine oil level and fill fuel tank with gasoline.
3. Place freewheel control in "transmission engaged" position.
4. Sit on seat in operating position, depress brake pedal and set the parking brake.
5. Press lift lever plunger and raise attachment lift lever to its highest position.
6. Start the engine. After engine has started, move throttle control to idle position.
7. Release parking brake.
8. Slowly depress forward drive pedal and drive tractor off skid.
9. Apply brake to stop tractor and set parking brake.
10. Turn ignition key to "OFF" position. Continue with the instructions that follow.

ASSEMBLE GAUGE WHEELS TO MOWER DECK

The gauge wheels are designed to keep the mower deck in proper position when operating mower. Be sure they are properly adjusted to ensure optimum mower performance.

1. Slide gauge wheel bar down into bracket channel. Be sure that gauge wheel bar aligning holes are on top. Assemble gauge wheels as shown using shoulder bolts, 3/8 washers and 3/8-16 center locknuts and tighten securely.
2. For ease of mower to tractor assembly, raise gauge wheels to highest position and retain with clevis pins and spring retainers.

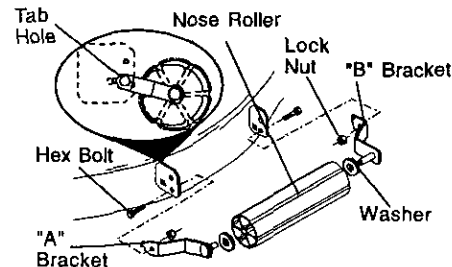
NOTE: Adjust gauge wheels before operating mower. See "TO ADJUST GAUGE WHEELS" in the Operation section of this manual.



TO ATTACH NOSE ROLLER

1. Position brackets, 17/32 x 7/8 x 16 gauge washers, and nose roller between deck mounting brackets as shown. Be sure to position brackets on correct side, as shown.
2. Install hex bolts and lock nuts as shown. Tighten hardware securely.

NOTE: Be sure bracket tabs are positioned in tab holes in deck brackets.



INSTALL MOWER AND DRIVE BELT

Be sure tractor is on level surface and mower suspension arms are raised with attachment lift control. Engage parking brake.

1. Cut and remove ties securing anti-sway bar and belts. Swing anti-sway bar to left side of mower deck.
2. Slide mower under tractor with deflector shield to right side of tractor.

IMPORTANT: Check belt for proper routing in all mower pulley grooves.

3. If equipped, turn height adjustment knob counterclockwise until it stops.
4. Lower mower linkage with attachment lift control.
5. Be sure belt tension rod is in disengaged position.

6. Install belt into electric clutch pulley groove.
7. Place the suspension arms on outward pointing deck pins. Retain with double loop retainer spring with loops up as shown.
8. Install front plate assembly to tractor suspension brackets and retain with single loop retainer springs as shown.
9. Position front plate assembly between front mower brackets. Raise deck and plate assembly to align holes and insert flanged pins. Secure pins with double loop retainer springs between the plate assembly and mower brackets.

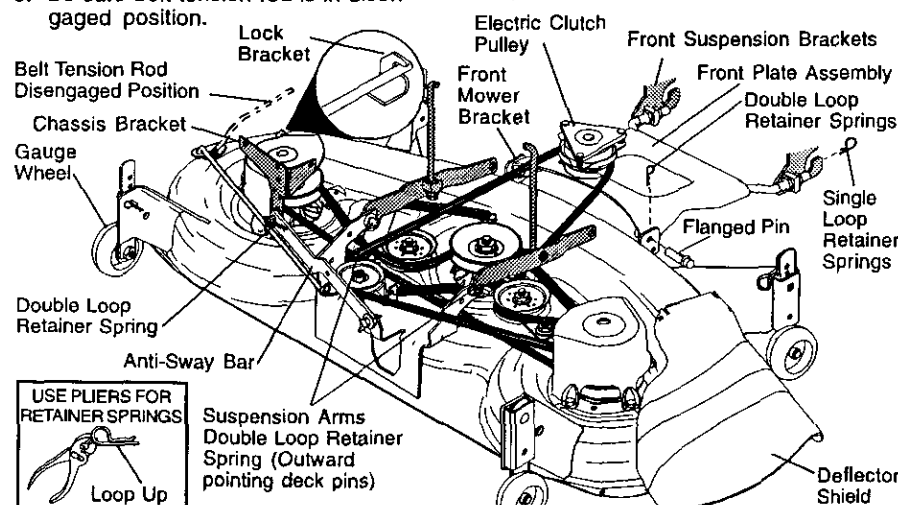
NOTE: To assist in locating hole in flanged pin, the hole in pin is inline with notch on head of pin. If necessary, move mower side-to-side to give space between plate and mower brackets.

IMPORTANT: Check belt for proper routing in all mower pulley grooves.

10. Engage belt tension rod by pushing rod into locking bracket.

CAUTION: Belt tension rod is spring loaded. Have a tight grip on rod and engage slowly.

11. Connect anti-sway bar to chassis bracket under left footrest and retain with double loop retainer spring.
12. If equipped, turn height adjustment knob clockwise to remove slack from mower suspension.
13. Raise deck to highest position.
14. Adjust gauge wheels before operating mower as shown in the Operation section of this manual.



CHECK TIRE PRESSURE

The tires on your tractor were overinflated at the factory for shipping purposes. Correct tire pressure is important for best cutting performance.

- Reduce tire pressure to PSI shown in "PRODUCT SPECIFICATIONS" section of this manual.

CHECK DECK LEVELNESS

For best cutting results, mower housing should be properly leveled. See "TO LEVEL MOWER HOUSING" in the Service and Adjustments section of this manual.

CHECK FOR PROPER POSITION OF ALL BELTS

See the figures that are shown for replacing motion and mower blade drive belts in the Service and Adjustments section of this manual. Verify that the belts are routed correctly.

CHECK BRAKE SYSTEM

After you learn how to operate your tractor, check to see that the brake is properly adjusted. See "TO ADJUST BRAKE" in the Service and Adjustments section of this manual.

✓CHECKLIST

BEFORE YOU OPERATE AND ENJOY YOUR NEW TRACTOR, WE WISH TO ASSURE THAT YOU RECEIVE THE BEST PERFORMANCE AND SATISFACTION FROM THIS QUALITY PRODUCT.

PLEASE REVIEW THE FOLLOWING CHECKLIST:

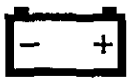
- ✓ All assembly instructions have been completed.
- ✓ No remaining loose parts in carton.
- ✓ Battery is properly prepared and charged. (Minimum 1 hour at 6 amps).
- ✓ Seat is adjusted comfortably and tightened securely.
- ✓ All tires are properly inflated. (For shipping purposes, the tires were overinflated at the factory).
- ✓ Be sure mower deck is properly leveled side-to-side/front-to-rear for best cutting results. (Tires must be properly inflated for leveling).
- ✓ Check mower and drive belts. Be sure they are routed properly around pulleys and inside all belt keepers.
- ✓ Check wiring. See that all connections are still secure and wires are properly clamped.
- ✓ Before driving tractor, be sure free-wheel control is in drive position.

WHILE LEARNING HOW TO USE YOUR TRACTOR, PAY EXTRA ATTENTION TO THE FOLLOWING IMPORTANT ITEMS:

- ✓ Engine oil is at proper level.
- ✓ Fuel tank is filled with fresh, clean, regular unleaded gasoline.
- ✓ Become familiar with all controls - their location and function. Operate them before you start the engine.
- ✓ Be sure brake system is in safe operating condition.
- ✓ It is important to purge the transmission before operating your tractor for the first time. Follow proper starting and transmission purging instructions (See "TO START ENGINE" and "PURGE TRANSMISSION" in the Operation section of this manual).

OPERATION

These symbols may appear on your tractor or in literature supplied with the product. Learn and understand their meaning.



BATTERY



CAUTION OR WARNING



REVERSE



FORWARD



FAST



SLOW



ENGINE ON



ENGINE OFF



OIL PRESSURE



LIGHTS ON



OVER TEMP LIGHT



MOWER LIFT



FUEL



CHOKE



MOWER HEIGHT



PARKING BRAKE LOCKED



UNLOCKED



MOWER LIFT



ATTACHMENT CLUTCH ENGAGED



REVERSE



NEUTRAL



HIGH



LOW



PARKING BRAKE



IGNITION



ATTACHMENT CLUTCH DISENGAGED



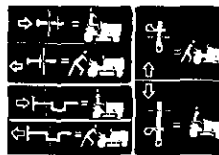
KEEP AREA CLEAR
(SEE SAFETY RULES SECTION)



SLOPE HAZARDS
(SEE SAFETY RULES SECTION)



DANGER, KEEP HANDS AND FEET AWAY

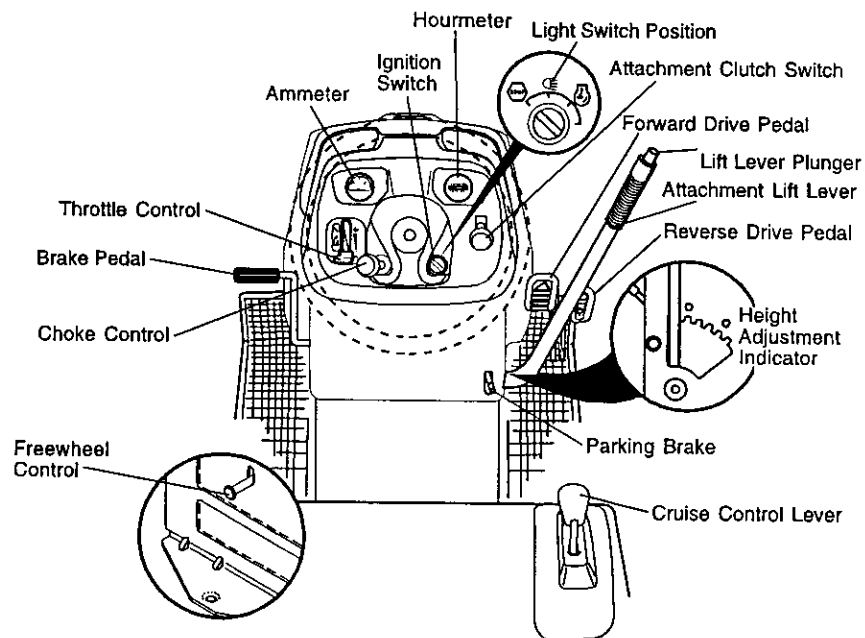


FREE WHEEL
(Automatic Models only)

KNOW YOUR TRACTOR

READ THIS OWNER'S MANUAL AND SAFETY RULES BEFORE OPERATING YOUR TRACTOR

Compare the illustrations with your tractor to familiarize yourself with the locations of various controls and adjustments. Save this manual for future reference.



Our tractors conform to the safety standards of the American National Standards Institute.

ATTACHMENT CLUTCH SWITCH: Used to engage the mower blades, or other attachments mounted to your tractor.

LIGHT SWITCH: Turns the headlights on and off.

THROTTLE CONTROL - Used to control engine speed.

CHOKE CONTROL - Used when starting a cold engine.

BRAKE PEDAL: Used for braking the tractor and starting the engine.

FREEWHEEL CONTROL: Disengages transmission for pushing or slowly towing the tractor with the engine off.

ATTACHMENT LIFT LEVER: Used to raise, lower and adjust the mower deck or other attachments mounted to your tractor.

LIFT LEVER PLUNGER: Used to release attachment lift lever when changing its position.

IGNITION SWITCH: Used for starting and stopping the engine.

AMMETER: Indicates battery charging (+) or discharging (-).

PARKING BRAKE: Locks clutch/brake into the brake position.

FORWARD DRIVE PEDAL - Used for forward movement of tractor.

REVERSE DRIVE PEDAL - Used for reverse movement of tractor.

CRUISE CONTROL LEVER - Used to set forward movement of tractor at desired speed without holding the forward drive pedal.

HOURMETER - Indicates hours of operation.

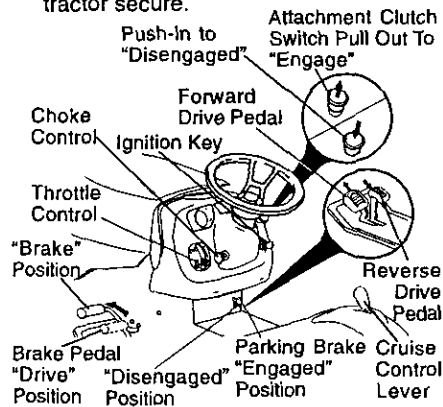


The operation of any tractor can result in foreign objects thrown into the eyes, which can result in severe eye damage. Always wear safety glasses or eye shields while operating your tractor or performing any adjustments or repairs. We recommend a wide vision safety mask over spectacles, or standard safety glasses.

HOW TO USE YOUR TRACTOR TO SET PARKING BRAKE

Your tractor is equipped with an operator presence sensing switch. When engine is running, any attempt by the operator to leave the seat without first setting the parking brake will shut off the engine.

1. Depress brake pedal into full "BRAKE" position and hold.
2. Place parking brake lever in "ENGAGED" position and release pressure from brake pedal. Pedal should remain in "BRAKE" position. Make sure parking brake will hold tractor secure.



STOPPING

MOWER BLADES -

- To stop mower blades, move attachment clutch switch to "DISENGAGED" position.

GROUND DRIVE -

- To stop ground drive, depress brake pedal into full "BRAKE" position.

IMPORTANT: Forward and reverse drive pedals return to neutral position when not depressed.

ENGINE -

- Move throttle control to slow position.
- NOTE:** Failure to move throttle control to slow position and allowing engine to idle before stopping may cause engine to "backfire".
- Turn ignition key to "OFF" position and remove key. Always remove key when leaving tractor to prevent unauthorized use.
- Never use choke to stop engine.

IMPORTANT: Leaving the ignition switch in any position other than "OFF" will cause the battery to be discharged, (dead).

NOTE: Under certain conditions when tractor is standing idle with the engine running, hot engine exhaust gases may cause "browning" of grass. To eliminate this possibility, always stop engine when stopping tractor on grass areas.

CAUTION: Always stop tractor completely, as described above, before leaving the operator's position; to empty grass catcher, etc.

THROTTLE CONTROL

Always operate engine at full throttle.

- Operating engine at less than full throttle reduces the battery charging rate.
 - Full throttle offers the best bagging and mower performance.
- ### TO USE CHOKE CONTROL
- Use choke control whenever you are starting a cold engine. Do not use to start a warm engine.
- To engage choke control, pull knob out. Slowly push knob in to disengage.

TO MOVE FORWARD AND BACKWARD

The direction and speed of movement is controlled by the forward and reverse drive pedals.

1. Start tractor and release parking brake.
2. Slowly depress forward or reverse drive pedal to begin movement. Ground speed increases the further down the pedal is depressed.

TO USE CRUISE CONTROL

The cruise control feature can be used for forward travel only.

1. With forward drive pedal depressed to desired speed, move cruise control lever forward to "SET" position and hold while lifting your foot off the pedal, then release the cruise control lever.

To disengage the cruise control, pull the lever backward to "OFF" position, or fully depress the brake pedal.

TO ADJUST MOWER CUTTING HEIGHT

The position of the attachment lift lever determines the cutting height.

- Grasp lift lever.
- Press plunger with thumb and move lever to desired position.

The cutting height range is approximately 1-1/2 to 4". The heights are measured from the ground to the blade tip with the engine not running. These heights are approximate and may vary depending upon soil conditions, height of grass and types of grass being mowed.

- The average lawn should be cut to approximately 2-1/2 inches during the cool season and to over 3 inches during hot months. For healthier and better looking lawns, mow often and after moderate growth.
- For best cutting performance, grass over 6 inches in height should be mowed twice. Make the first cut relatively high; the second to desired height.

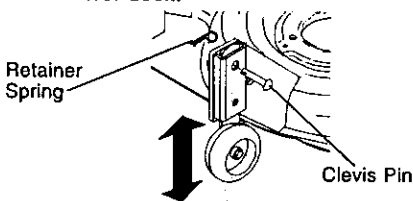
TO ADJUST GAUGE WHEELS

Gauge wheels are properly adjusted when they are slightly off the ground when mower is at the desired cutting height in operating position. Gauge wheels then keep the deck in proper position to help prevent scalping in most terrain conditions.

NOTE: Be sure tractor is on a flat level surface.

1. Lower mower and adjust mower to desired cutting height.
2. Remove retainer spring and clevis pin which secure each gauge wheel bar.
3. Lower gauge wheels to ground. Raise gauge wheels slightly to align holes in bracket and gauge wheel bar and insert clevis pin. Gauge wheels should be slightly off the ground.
4. Replace retainer spring into clevis pin.
5. Be sure all gauge wheels are in the same setting.

IMPORTANT: Be sure to readjust gauge wheels if you change the cutting height of the mower deck.



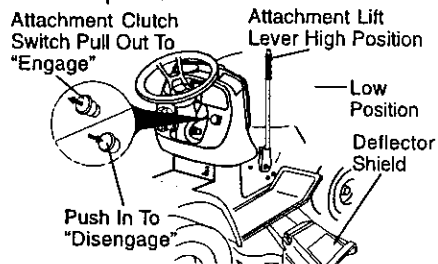
TO OPERATE MOWER

Your tractor is equipped with an operator presence sensing switch. Any attempt by the operator to leave the seat with the engine running and the attachment clutch engaged will shut off the engine.

1. Select desired height of cut.
2. Start mower blades by engaging attachment clutch control.

TO STOP MOWER BLADES - disengage attachment clutch control.

CAUTION: Do not operate the mower without either the entire grass catcher, on mowers so equipped, or the deflector shield in place.



TO OPERATE ON HILLS

CAUTION: Do not drive up or down hills with slopes greater than 15° and do not drive across any slope.

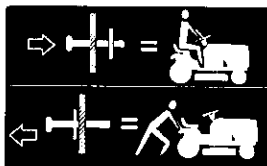
- Choose the slowest speed before starting up or down hills.
- Avoid stopping or changing speed on hills.
- If stopping is absolutely necessary, push brake pedal quickly to brake position and engage parking brake.
- To restart movement, slowly release parking brake and brake pedal.
- Slowly depress appropriate drive pedal to slowest setting.
- Make all turns slowly.

TO TRANSPORT

When pushing or towing your tractor, be sure to disengage transmission by placing freewheel control in freewheeling position. Free wheel control is located at the rear drawbar of tractor.

1. Raise attachment lift to highest position with attachment lift control.
 2. Pull freewheel control out and into the slot and release so it is held in the disengaged position.
- Do not push or tow tractor at more than two (2) MPH.
 - To re-engage transmission, reverse above procedure.

NOTE: To protect hood from damage when transporting your tractor on a truck or a trailer, be sure hood is closed and secured to tractor. Use an appropriate means of tying hood to tractor (rope, cord, etc.).



TOWING CARTS AND OTHER ATTACHMENTS

Tow only the attachments that are recommended by and comply with specifications of the manufacturer of your tractor. Use common sense when towing. Too heavy of a load, while on a slope, is dangerous. Tires can lose traction with the ground and cause you to lose control of your tractor.

BEFORE STARTING THE ENGINE CHECK ENGINE OIL LEVEL

The engine in your tractor has been shipped, from the factory, already filled with summer weight oil.

1. Check engine oil with tractor on level ground.
 2. Unthread and remove oil fill cap/dipstick; wipe oil off. Reinsert the dipstick into the tube and rest oil fill cap on the tube. Do not thread the cap onto the tube. Remove and read oil level. If necessary, add oil until "FULL" mark on dipstick is reached. Do not overfill.
- For cold weather operation you should change oil for easier starting (See "OIL VISCOSITY CHART" in the Maintenance section of this manual).
 - To change engine oil, see the Maintenance section in this manual.

ADD GASOLINE

- Fill fuel tank. Use fresh, clean, regular unleaded gasoline with a minimum of 87 octane. (Use of leaded gasoline will increase carbon and lead oxide deposits and reduce valve life). Do not mix oil with gasoline. Purchase fuel in quantities that can be used within 30 days to assure fuel freshness.

IMPORTANT: When operating in temperatures below 32°F(0°C), use fresh, clean winter grade gasoline to help insure good cold weather starting.

WARNING: Experience indicates that alcohol blended fuels (called gasohol or using ethanol or methanol) can attract moisture which leads to separation and formation of acids during storage. Acidic gas can damage the fuel system of an engine while in storage. To avoid engine problems, the fuel system should be emptied before storage of 30 days or longer. Drain the gas tank, start the engine and let it run until the fuel lines and carburetor are empty. Use fresh fuel next season. See Storage Instructions for additional information. Never use engine or carburetor cleaner products in the fuel tank or permanent damage may occur.

CAUTION: Fill to bottom of gas tank filler neck. Do not overfill. Wipe off any spilled oil or fuel. Do not store, spill or use gasoline near an open flame.

TO START ENGINE

When starting the engine for the first time or if the engine has run out of fuel, it will take extra cranking time to move fuel from the tank to the engine.

1. Be sure freewheel control is in the transmission engaged position.
2. Sit on seat in operating position, depress brake pedal and set parking brake.
3. Move attachment clutch to "DISENGAGED" position.
4. Move throttle control to fast position
5. Pull choke control out for a cold engine start attempt. For a warm engine start attempt the choke control may not be needed.

NOTE: Before starting, read the warm and cold starting procedures below.

6. Insert key into ignition and turn key clockwise to "START" position and release key as soon as engine starts. Do not run starter continuously for more than fifteen seconds per minute. If the engine does not start after several attempts, push choke control in, wait a few minutes and try again. If engine still does not start, pull the choke control out and retry.

WARM WEATHER STARTING (50° F and above)

7. When engine starts, slowly push choke control in until the engine begins to run smoothly. If the engine starts to run roughly, pull the choke control out slightly for a few seconds and then continue to push the control in slowly.

- The attachments and ground drive can now be used. If the engine does not accept the load, restart the engine and allow it to warm up for one minute using the choke as described above.

COLD WEATHER STARTING (50° F and below)

7. When engine starts, slowly push choke control in until the engine begins to run smoothly. Continue to push the choke control in small steps allowing the engine to accept small changes in speed and load, until the choke control is fully in. If the engine starts to run roughly, pull the choke control out slightly for a few seconds and then continue to push the control in slowly. This may require an engine warm-up period from several seconds to several minutes, depending on the temperature.

AUTOMATIC TRANSMISSION WARM UP

Before driving the unit in cold weather, the transmission should be warmed up as follows:

1. Be sure the tractor is on level ground.
2. Release the parking brake and let the brake slowly return to operating position.
3. Allow one minute for transmission to warm up. This can be done during the engine warm up period.
 - The attachments can be used during the engine warm-up period after the transmission has been warmed up and may require the choke control be pulled out slightly.

NOTE: If at a high altitude (above 3000 feet) or in cold temperatures (below 32 F) the carburetor fuel mixture may need to be adjusted for best engine performance. See "TO ADJUST CARBURETOR" in the Service and Adjustments section of this manual.

PURGE TRANSMISSION

CAUTION: Never engage or disengage freewheel lever while the engine is running.

To ensure proper operation and performance, it is recommended that the transmission be purged before operating tractor for the first time. This procedure will remove any trapped air inside the transmission which may have developed during shipping of your tractor.

IMPORTANT: Should your transmission require removal for service or replacement, it should be purged after reinstallation before operating the tractor.

1. Place tractor safely on level surface with engine off and parking brake set.
2. Disengage transmission by placing freewheel control in freewheeling position (See "TO TRANSPORT" in this section of manual).
3. Sitting in the tractor seat, start engine. After the engine is running, move throttle control to slow position. Disengage parking brake.
4. Depress forward drive pedal to full forward position and hold for five (5) seconds and release pedal. Depress reverse drive pedal to full reverse position and hold for five (5) seconds and release pedal. Repeat this procedure three (3) times.

NOTE: During this procedure there will be no movement of drive wheels. The air is being removed from hydraulic drive system.

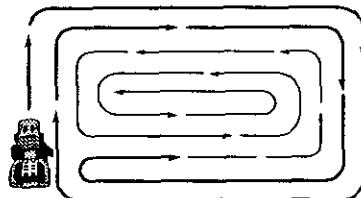
5. Shut-off engine and set parking brake.

6. Engage transmission by placing freewheel control in driving position (See "TO TRANSPORT" in this section of manual).
7. Sitting in the tractor seat, start engine. After the engine is running, move throttle control to half (1/2) speed. Disengage parking brake.
8. Drive tractor forward for approximately five feet then backwards for five feet. Repeat this driving procedure three times.

Your tractor is now purged and now ready for normal operation.

MOWING TIPS

- Mower should be properly leveled for best mowing performance. See "TO LEVEL MOWER HOUSING" in the Service and Adjustments section of this manual.
- The left hand side of mower should be used for trimming.
- Drive so that clippings are discharged onto the area that has been cut. Have the cut area to the right of the tractor. This will result in a more even distribution of clippings and more uniform cutting.
- When mowing large areas, start by turning to the right so that clippings will discharge away from shrubs, fences, driveways, etc. After one or two rounds, mow in the opposite direction making left hand turns until finished.
- If grass is extremely tall, it should be mowed twice to reduce load and possible fire hazard from dried clippings. Make first cut relatively high; the second to the desired height.
- Do not mow grass when it is wet. Wet grass will plug mower and leave undesirable clumps. Allow grass to dry before mowing.
- **Always operate engine at full throttle when mowing** to assure better mowing performance and proper discharge of material. Regulate ground speed by selecting a low enough gear to give the mower cutting performance as well as the quality of cut desired.
- When operating attachments, select a ground speed that will suit the terrain and give best performance of the attachment being used.



MAINTENANCE

| MAINTENANCE SCHEDULE | | SERVICE DATES | | | | | | |
|---|---|-----------------|---------------|--------------------|----------------|------------------|--------------|----------------|
| FILL IN DATES AS YOU COMPLETE REGULAR SERVICE | | BEFORE EACH USE | EVERY 8 HOURS | EVERY 25 HOURS | EVERY 60 HOURS | EVERY 100 HOURS | EVERY SEASON | BEFORE STORAGE |
| T R A C T O R | Check Brake Operation | ✓ | ✓ | | | | | |
| | Check Tire Pressure | ✓ | ✓ | | | | | |
| | Check Operator Presence and Interlock Systems | ✓ | | | | | | |
| | Check for Loose Fasteners | ✓ | | | ✓ ₇ | | ✓ | |
| | Sharpen/Replace Mower Blades | | | ✓ ₄ | | | | |
| | Lubrication Chart | | | ✓ | | | ✓ | |
| | Check Battery Level | | | ✓ ₆ | | | | |
| | Clean Battery and Terminals | | | ✓ | | | ✓ | |
| | Check Transaxle Cooling | | | ✓ | | | | |
| | Adjust Blade Belt(s) Tension | | | | | ✓ ₅ | | |
| Adjust Motion Drive Belt(s) Tension | | | | | ✓ ₅ | | | |
| E N G I N E | Check Engine Oil Level | ✓ | ✓ | | | | | |
| | Change Engine Oil | | | ✓ _{1,3,3} | | | ✓ | |
| | Clean Air Filter | | | ✓ ₂ | | | | |
| | Clean Air Screen | | | ✓ ₂ | | | | |
| | Inspect Muffler/Spark Arrestor | | | | ✓ | | | |
| | Replace Oil Filter (If equipped) | | | | | ✓ _{1,2} | | |
| | Clean Engine Cooling Fins | | | | | ✓ ₂ | | |
| | Replace Spark Plug | | | | | ✓ | ✓ | |
| | Replace Air Filter Paper Cartridge | | | | | ✓ ₂ | | |
| | Replace Fuel Filter | | | | | | ✓ | |

- 1 - Change more often when operating under a heavy load or in high ambient temperatures.
 2 - Service more often when operating in dirty or dusty conditions.
 3 - If equipped with oil filter, change oil every 50 hours.
 4 - Replace blades more often when mowing in sandy soil.
 5 - If equipped with adjustable system.
 6 - Not required if equipped with maintenance-free battery.
 7 - Tighten front axle pivot bolt to 35 ft.-lbs. maximum. Do not overtighten.

GENERAL RECOMMENDATIONS

The warranty on this tractor does not cover items that have been subjected to operator abuse or negligence. To receive full value from the warranty, operator must maintain tractor as instructed in this manual. Some adjustments will need to be made periodically to properly maintain your tractor.

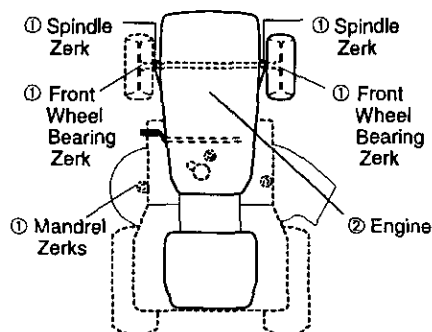
All adjustments in the Service and Adjustments section of this manual should be checked at least once each season.

- Once a year you should replace the spark plug, clean or replace air filter, and check blades and belts for wear. A new spark plug and clean air filter assure proper air-fuel mixture and help your engine run better and last longer.

BEFORE EACH USE

- Check engine oil level.
- Check brake operation.
- Check tire pressure.
- Check operator presence and interlock systems for proper operation.
- Check for loose fasteners.

LUBRICATION CHART



- ① General Purpose Grease
 ② Refer to Maintenance "ENGINE" Section

IMPORTANT: Do not oil or grease the pivot points which have special nylon bearings. Viscous lubricants will attract dust and dirt that will shorten the life of the self-lubricating bearings. If you feel they must be lubricated, use only a dry, powdered graphite type lubricant sparingly.

TRACTOR

Always observe safety rules when performing any maintenance.

BRAKE OPERATION

If tractor requires more than six (6) feet stopping distance at high speed in highest gear, then brake must be adjusted. (See "TO ADJUST BRAKE" in the Service and Adjustments section of this manual).

TIRES

- Maintain proper air pressure in all tires (See "PRODUCT SPECIFICATIONS" section of this manual).
- Keep tires free of gasoline, oil, or insect control chemicals which can harm rubber.
- Avoid stumps, stones, deep ruts, sharp objects and other hazards that may cause tire damage.

NOTE: To seal tire punctures and prevent flat tires due to slow leaks, tire sealant may be purchased from your local parts dealer. Tire sealant also prevents tire dry rot and corrosion.

OPERATOR PRESENCE SYSTEM

Be sure that operator presence and interlock systems are working properly. If your tractor does not function as described below, repair the problem immediately.

- The engine should not start unless the brake pedal is fully depressed and attachment clutch control is in the disengaged position.
- When the engine is running, any attempt by the operator to leave the seat without first setting the parking brake should shut off the engine.
- When the engine is running and the attachment clutch is engaged, any attempt by the operator to leave the seat should shut off the engine.
- The attachment clutch should never operate unless the operator is in the seat.

BLADE CARE

For best results mower blades must be kept sharp. Replace bent or damaged blades.

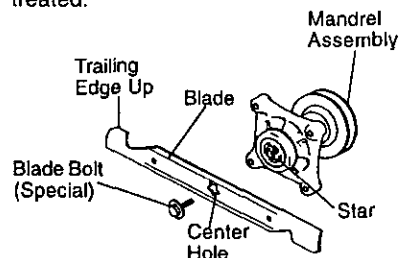
BLADE REMOVAL

1. Raise mower to highest position to allow access to blades.
2. Remove blade bolt.
3. Install new or resharpened blade with trailing edge up towards deck as shown.

IMPORTANT: To ensure proper assembly, center hole in blade must align with star on mandrel assembly.

4. Reassemble blade bolt tighten bolt securely (45-55 Ft. Lbs. torque).

IMPORTANT: Blade bolt is grade 8 heat treated.



TO SHARPEN BLADE

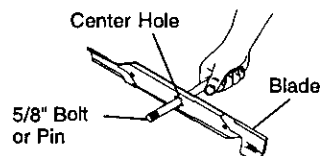
NOTE: We do not recommend sharpening blade - but if you do, be sure the blade is balanced.

Care should be taken to keep the blade balanced. An unbalanced blade will cause excessive vibration and eventual damage to mower and engine.

- The blade can be sharpened with a file or on a grinding wheel. Do not attempt to sharpen while on the mower.
- To check blade balance, you will need a 5/8" diameter steel bolt, pin, or a cone balancer. (When using a cone balancer, follow the instructions supplied with balancer.)

NOTE: Do not use a nail for balancing blade. The lobes of the center hole may appear to be centered, but are not.

- Slide blade on to an unthreaded portion of the steel bolt or pin and hold the bolt or pin parallel with the ground. If blade is balanced, it should remain in a horizontal position. If either end of the blade moves downward, sharpen the heavy end until the blade is balanced.



BATTERY

Your tractor has a battery charging system which is sufficient for normal use. However, periodic charging of the battery with an automotive charger will extend its life.

- Keep battery and terminals clean.
 - Keep battery bolts tight.
 - Keep small vent holes open.
 - Recharge at 6-10 amperes for 1 hour.
- NOTE:** The original equipment battery on your tractor is maintenance free. Do not attempt to open or remove caps or covers. Adding or checking level of electrolyte is not necessary.

TO CLEAN BATTERY AND TERMINALS
Corrosion and dirt on the battery and terminals can cause the battery to "leak" power.

1. Remove terminal guard.
2. Disconnect BLACK battery cable first then RED battery cable and remove battery from tractor.
3. Rinse the battery with plain water and dry.
4. Clean terminals and battery cable ends with wire brush until bright.
5. Coat terminals with grease or petroleum jelly.
6. Reinstall battery (See "REPLACING BATTERY" in the SERVICE AND ADJUSTMENTS section of this manual).

V-BELTS

Check V-belts for deterioration and wear after 100 hours of operation and replace if necessary. The belts are not adjustable. Replace belts if they begin to slip from wear.

TRANSAXLE COOLING

The transmission fan and cooling fins should be kept clean to assure proper cooling. Do not attempt to clean fan or transmission while engine is running or while the transmission is hot. To prevent possible damage to seals, do not use high pressure water or steam to clean transaxle.

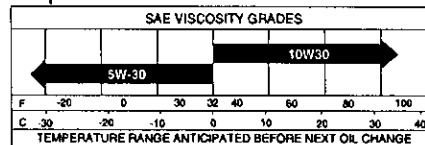
- Inspect cooling fan to be sure fan blades are intact and clean.
- Inspect cooling fins for dirt, grass clippings and other materials. To prevent damage to seals, do not use compressed air or high pressure sprayer to clean cooling fins.

TRANSAXLE PUMP FLUID

The transaxle was sealed at the factory and fluid maintenance is not required for the life of the transaxle. Should the transaxle ever leak or require servicing, contact your nearest authorized service center/department.

ENGINE LUBRICATION

Only use high quality detergent oil rated with API service classification SF-SJ. Select the oil's SAE viscosity grade according to your expected operating temperature.



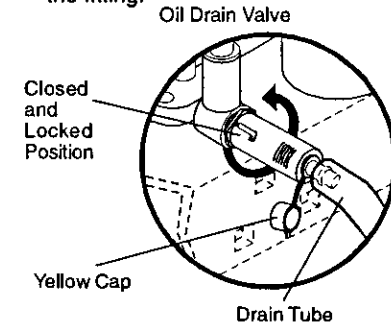
Change the oil after every 50 hours of operation or at least once a year if the tractor is not used for 50 hours in one year.

Check the crankcase oil level before starting the engine and after each eight (8) hours of operation. Tighten oil fill cap/dipstick securely each time you check the oil level.

TO CHANGE ENGINE OIL

Determine temperature range expected before oil change. All oil must meet API service classification SF-SJ.

- Be sure tractor is on level surface.
 - Oil will drain more freely when warm.
 - Catch oil in a suitable container.
1. Remove oil fill cap/dipstick. Be careful not to allow dirt to enter the engine when changing oil.
 2. Remove yellow cap from end of drain valve and install the drain tube onto the fitting.



3. Unlock drain valve by pushing inward slightly and turning counterclockwise.
4. To open, pull out on the drain valve.
5. After oil has drained completely, close and lock the drain valve by pushing inward and turning clockwise until the pin is in the locked position as shown.
6. Remove the drain tube and replace the cap onto the end of the drain valve.

7. Refill engine with oil through oil fill dipstick tube. Pour slowly. Do not overfill. For approximate capacity see "PRODUCT SPECIFICATIONS" section of this manual.
8. Use gauge on oil fill cap/dipstick for checking level. Insert dipstick into the tube and rest the oil fill cap on the tube. Do not thread the cap onto the tube when taking reading. Keep oil at "FULL" line on dipstick. Tighten cap onto the tube securely when finished.

CLEAN AIR SCREEN

Air screen must be kept free of dirt and chaff to prevent engine damage from overheating. Clean with a wire brush or compressed air to remove dirt and stubborn dried gum fibers.

CLEAN AIR INTAKE/COOLING AREAS

To insure proper cooling, make sure the grass screen, cooling fins, and other external surfaces of the engine are kept clean at all times.

Every 100 hours of operation (more often under extremely dusty, dirty conditions), remove the blower housing and other cooling shrouds. Clean the cooling fins and external surfaces as necessary. Make sure the cooling shrouds are reinstalled.

NOTE: Operating the engine with a blocked grass screen, dirty or plugged cooling fins, and/or cooling shrouds removed will cause engine damage due to overheating.

AIR FILTER

Your engine will not run properly using a dirty air filter. Clean the foam pre-cleaner after every 25 hours of operation or every season. Service paper cartridge every 100 hours of operation or every season, whichever occurs first.

Service air cleaner more often under dusty conditions.

1. Loosen knob and remove cover.

TO SERVICE PRE-CLEANER

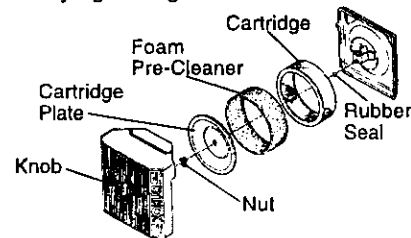
2. Slide foam pre-cleaner off cartridge.
3. Wash it in liquid detergent and water.
4. Squeeze it dry in a clean cloth. Allow it to dry.
5. Saturate it in engine oil. Wrap it in clean, absorbent cloth and squeeze to remove excess oil.

TO SERVICE CARTRIDGE

- Replace a dirty, bent, or damaged cartridge.

NOTE: Do not wash the paper cartridge or use pressurized air, as this will damage the cartridge.

6. Remove nut and cartridge plate.
7. Reinstall the pre-cleaner (cleaned and oiled) over the paper cartridge.
8. Check rubber seal for damage and proper position around stud. Replace if necessary.
9. Reassemble air cleaner, cartridge plate, and nut.
10. Reinstall air cleaner cover and secure by tightening knob.



ENGINE OIL FILTER

Replace the engine oil filter every season or every other oil change if the tractor is used more than 100 hours in one year.

MUFFLER

Inspect and replace corroded muffler and spark arrester (if equipped) as it could create a fire hazard and/or damage.

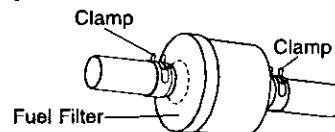
SPARK PLUGS

Replace spark plugs at the beginning of each mowing season or after every 100 hours of operation, whichever occurs first. Spark plug type and gap setting are shown in "PRODUCT SPECIFICATIONS" section of this manual.

IN-LINE FUEL FILTER

The fuel filter should be replaced once each season. If fuel filter becomes clogged, obstructing fuel flow to carburetor, replacement is required.

1. With engine cool, remove filter and plug fuel line sections.
2. Place new fuel filter in position in fuel line with arrow pointing towards carburetor.
3. Be sure there are no fuel line leaks and clamps are properly positioned.
4. Immediately wipe up any spilled gasoline.



CLEANING

- Clean engine, battery, seat, finish, etc. of all foreign matter.
- Keep finished surfaces and wheels free of all gasoline, oil, etc.
- Protect painted surfaces with automotive type wax.

We do not recommend using a garden hose to clean your tractor unless the electrical system, muffler, air filter and carburetor are covered to keep water out. Water in engine can result in a shortened engine life.

SERVICE AND ADJUSTMENTS



CAUTION: BEFORE PERFORMING ANY SERVICE OR ADJUSTMENTS:

1. Depress brake pedal fully and set parking brake.
2. Place attachment clutch in "DISENGAGED" position.
3. Turn ignition key "OFF" and remove key.
4. Make sure the blades and all moving parts have completely stopped.
5. Disconnect spark plug wire from spark plug and place wire where it cannot come in contact with plug.

TRACTOR

TO REMOVE MOWER

1. Place attachment clutch in "DISENGAGED" position.
2. If equipped, turn height adjustment knob to lowest setting.
3. Lower mower to its lowest position.
4. Disengage belt tension rod from lock bracket.

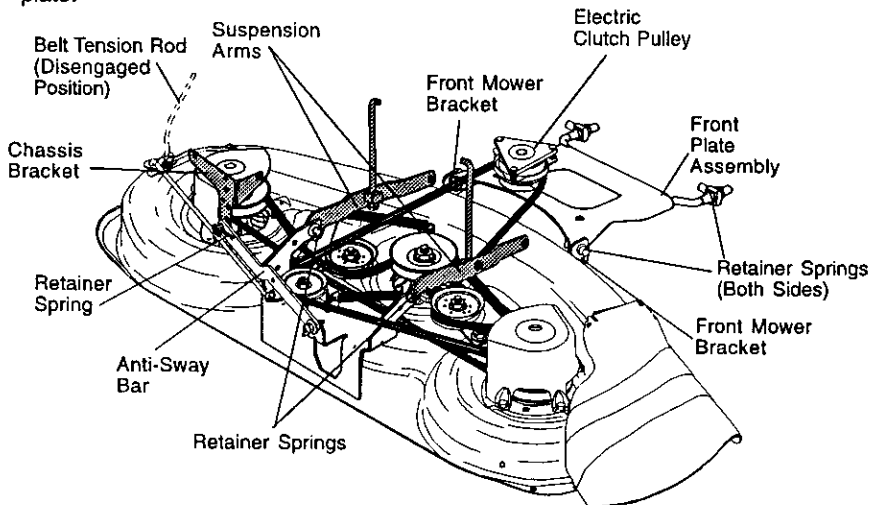
CAUTION: Rod is spring loaded. Have a tight grip on rod and release slowly.

5. Remove retainer spring holding anti-swaybar to chassis bracket and disengage anti-swaybar from bracket.
6. Remove four retainer springs from front plate assembly and remove plate.

7. Remove retainer springs from suspension arms at deck and disengage arms from deck.
8. Raise attachment lift to its highest position.
9. Slide mower forward and remove belt from electric clutch pulley.
10. Slide mower out from under right side of tractor.

TO INSTALL MOWER

Follow procedure described in "INSTALL MOWER AND DRIVE BELT" in the Assembly section of this manual.



TO LEVEL MOWER HOUSING

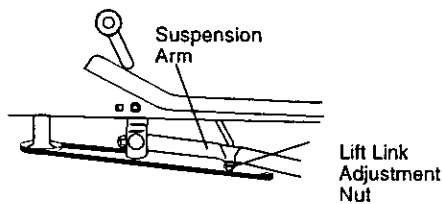
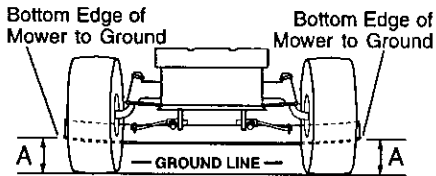
Adjust the mower while tractor is parked on level ground or driveway. Make sure tires are properly inflated (See "PRODUCT SPECIFICATIONS" section of this manual). If tires are over or underinflated, you will not properly adjust your mower.

SIDE-TO-SIDE ADJUSTMENT

- Raise mower to its highest position.
- Measure height from bottom edge of mower to ground level at front corners of mower. Distance "A" on both sides of mower should be the same.
- If adjustment is necessary, make adjustment on one side of mower only.
- To raise one side of mower, tighten lift link adjustment nut on that side.
- To lower one side of mower, loosen lift link adjustment nut on that side.

NOTE: Each full turn of adjustment nut will change mower height about 3/16".

- Recheck measurements after adjusting.



FRONT-TO-BACK ADJUSTMENT

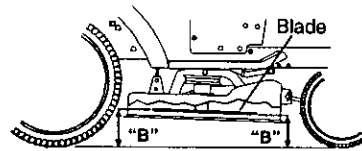
IMPORTANT: Deck must be level side-to-side. If the following front-to-back adjustment is necessary, be sure to adjust both front links equally so mower will stay level side-to-side.

To obtain the best cutting results, the mower blades should be adjusted so the front tip is approximately 1/8" to 1/2" lower than the rear tip when the mower is in its highest position.

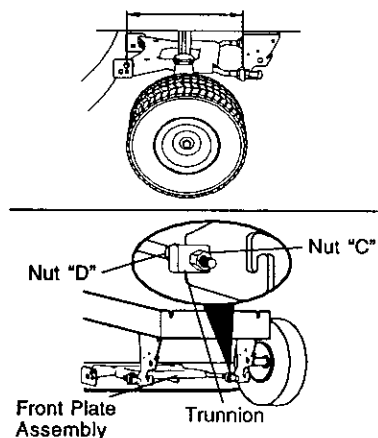
CAUTION: Blades are sharp. Protect your hands with gloves and/or wrap blade with heavy cloth. Check adjustment on right side of tractor. Position any blade so the tip is pointing straight forward. Measure distance "B" at front and rear tip of blade.

- Before making any necessary adjustments, check that both front links are equal in length.
- If links are not equal in length, adjust one link to same length as other link.
- To lower front of blade, loosen nut "C" on both front links an equal number of turns.

- NOTE:** Each full turn of nut "C" will change dim. "B" by approximately 3/16".
- When distance "B" is 1/8" to 1/2" lower at front than rear, tighten nut "D" against trunnion on both front links.
 - To raise front of blade, loosen nut "D" from trunnion on both front links. Tighten nut "C" on both front links an equal number of turns.
 - When distance "B" is 1/8" to 1/2" lower at front than rear, tighten nut "D" against trunnion on both front links.
 - Recheck side-to-side adjustment.



BOTH FRONT LINKS MUST BE EQUAL IN LENGTH



TO REPLACE MOWER DRIVE BELT

MOWER DRIVE BELT REMOVAL

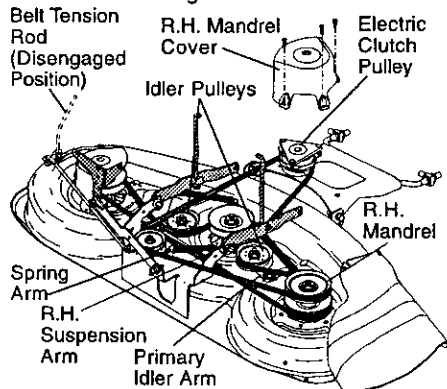
1. Park tractor on a level surface. Engage parking brake.
2. Lower mower to its lowest position.
3. Disengage belt tension rod from lock bracket.

CAUTION: Rod is spring loaded. Have a firm grip on rod and release slowly.

4. Remove screws from R.H. mandrel cover and remove cover.
5. Remove any dirt or grass clippings which may have accumulated around mandrels and entire upper deck surface.
6. Disconnect R.H. suspension arm from rear deck bracket by removing retainer spring.
7. Carefully roll belt over the top of R.H. mandrel pulley.
8. Remove belt from electric clutch pulley.
9. Remove belt from idler pulleys.
10. Check primary idler arm and two idlers to see that they rotate freely.
11. Be sure spring is securely hooked to primary idler arm and spring arm.

MOWER DRIVE BELT INSTALLATION

12. Install belt in both idlers.
13. Install new belt onto electric clutch pulley.
14. Carefully roll belt into upper groove of R.H. mandrel pulley.
15. Carefully check belt routing making sure belt is in the grooves correctly.
16. Reconnect R.H. suspension arm to rear deck bracket with retainer spring.
17. Reassemble R.H. mandrel cover.
18. Engage belt tension rod by pushing rod into locking bracket.

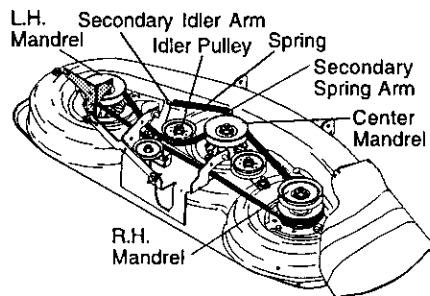


TO REPLACE MOWER BLADE DRIVE BELT

Park the tractor on level surface. Engage parking brake.

1. Remove mower drive belt (See "TO REPLACE MOWER DRIVE BELT" in this section of this manual).
2. Remove mower (See "TO REMOVE MOWER" in this section of this manual).

3. Remove screws from L.H. mandrel cover and remove cover.
4. Carefully roll belt off L.H. mandrel pulley.
5. Remove belt from center mandrel pulley, idler pulley, and R.H. mandrel pulley.
6. Remove any dirt or grass which may have accumulated around mandrels and entire upper deck surface.
7. Check secondary idler arm and idler pulley to see that they rotate freely.
8. Be sure spring is hooked in secondary idler arm and secondary spring arm.
9. Install new belt in lower groove of R.H. mandrel pulley, idler pulley, and center mandrel pulley as shown.
10. Carefully roll belt over L.H. mandrel pulley. Make sure belt is in all grooves properly.
11. Reinstall L.H. mandrel cover.
12. Reinstall mower to tractor (See "INSTALL MOWER AND DRIVE BELT" in the Assembly section of this manual).
13. Reassemble mower drive belt (See "TO REPLACE MOWER DRIVE BELT" in this section of this manual).



TO ADJUST BRAKE

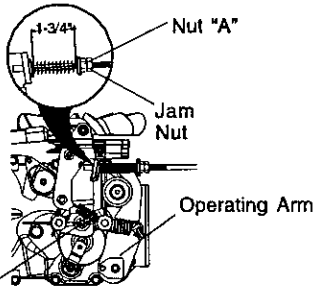
Your tractor is equipped with an adjustable brake system which is mounted on the side of the transaxle.

If tractor requires more than six (6) feet stopping distance at high speed in highest gear on a level dry concrete or paved surface, then brake must be adjusted.

1. Depress clutch/brake pedal and engage parking brake.
2. Measure distance between brake operating arm and nut "A" on brake rod.
3. If distance is other than 1-3/4", loosen jam nut and turn nut "A" until distance becomes 1-3/4". Retighten jam nut against nut "A".

- Road test tractor for proper stopping distance as stated above. Readjust if necessary. If stopping distance is still greater than six (6) feet in highest gear, further maintenance is necessary. Contact a Sears or other qualified service center.

WITH PARKING BRAKE "ENGAGED"

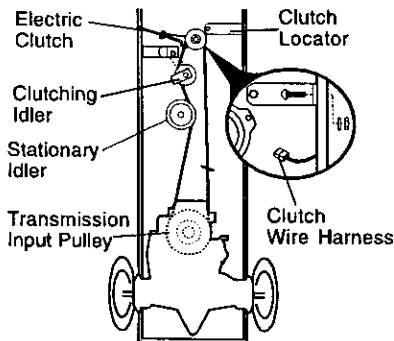


Do not touch this nut. If further brake adjustment is necessary, contact a Sears or other qualified service center.

TO REPLACE MOTION DRIVE BELT

Park the tractor on level surface. Engage parking brake. For assistance, there is a belt installation guide decal on bottom side of left footrest.

- Remove mower (See "TO REMOVE MOWER" in this section of this manual.)
- Disconnect clutch wire harness.
- Remove clutch locator.
- Remove belt from stationary idler and clutching idler.
- Pull belt slack toward rear of tractor. Carefully remove belt upwards from transmission input pulley and over cooling fan blades.
- Pull belt toward front of tractor and remove downwards from around electric clutch.
- Install new belt by reversing above procedure.



TRANSMISSION REMOVAL/REPLACEMENT

Should your transmission require removal for service or replacement, it should be purged after reinstallation and before operating the tractor. See "PURGE TRANSMISSION" in the Operation section of this manual.

TO ADJUST STEERING WHEEL ALIGNMENT

If steering wheel crossbars are not horizontal (left to right) when wheels are positioned straight forward, remove steering wheel and reassemble per instructions in the Assembly section of this manual.

FRONT WHEEL TOE-IN/CAMBER

The front wheel toe-in and camber are not adjustable on your tractor. If damage has occurred to affect the front wheel toe-in or camber, contact your nearest Sears or other qualified service center.

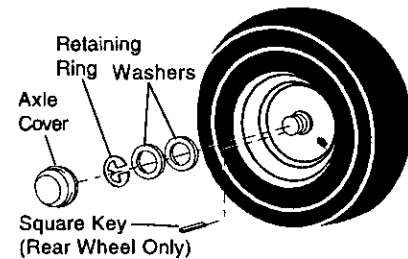
TO REMOVE WHEEL FOR REPAIRS

- Block up axle securely.
- Remove axle cover, retaining ring and washers to allow wheel removal (rear wheel contains a square key - Do not lose).
- Repair tire and reassemble.

NOTE: On rear wheels only: align grooves in rear wheel hub and axle. Insert square key.

- Replace washers and snap retaining ring securely in axle groove.
- Replace axle cover.

NOTE: To seal tire punctures and prevent flat tires due to slow leaks, tire sealant may be purchased from your local parts dealer. Tire sealant also prevents tire dry rot and corrosion.



TO START ENGINE WITH A WEAK BATTERY

CAUTION: Lead-acid batteries generate explosive gases. Keep sparks, flame and smoking materials away from batteries. Always wear eye protection when around batteries.

If your battery is too weak to start the engine, it should be recharged. (See "BATTERY" in the MAINTENANCE section of this manual).

If "jumper cables" are used for emergency starting, follow this procedure:

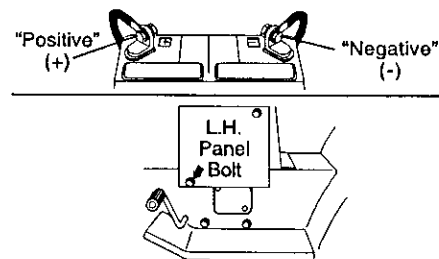
IMPORTANT: Your tractor is equipped with a 12 volt negative grounded system. The other vehical must also be a 12 volt negative grounded system. Do not use your tractor battery to start other vehicles.

TO ATTACH JUMPER CABLES -

1. Connect each end of the RED cable to the POSITIVE (+) terminal of each battery, taking care not to short against chassis.
2. Connect one end of the BLACK cable to the NEGATIVE (-) terminal of fully charged battery.
3. Connect the other end of the BLACK cable to good CHASSIS GROUND, away from fuel tank and battery.

TO REMOVE CABLES, REVERSE ORDER -

1. BLACK cable first from chassis and then from the fully charged battery.
2. RED cable last from both batteries.



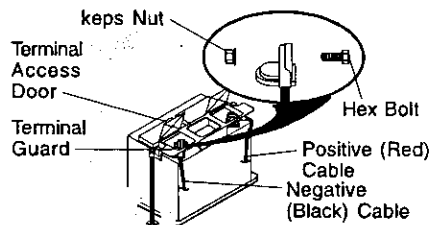
REPLACING BATTERY

CAUTION: Do not short battery terminals by allowing a wrench or any other object to contact both terminals at the same time. Before connecting battery, remove metal bracelets, wristwatch bands, rings, etc.

Positive terminal must be connected first to prevent sparking from accidental grounding.

1. Lift hood to raised position.
2. Remove terminal guard.

3. Disconnect BLACK battery cable then RED battery cable and carefully remove battery from tractor.
4. Install new battery with terminals in same position as old battery.
5. Reinstall terminal guard.
6. First connect RED battery cable to positive (+) battery terminal with hex bolt and keps nut as shown. Tighten securely.
7. Connect BLACK grounding cable to negative (-) battery terminal with remaining hex bolt and keps nut. Tighten securely.
8. Close terminal access doors.
9. Close hood.



TO REPLACE HEADLIGHT LAMP

CAUTION: When lit, the halogen lamps get extremely hot. Hold lamp assembly by the holder and do not touch the bulb.

1. Raise hood.
2. Disconnect harness from lamp assembly.
3. Rotate counterclockwise and pull lamp assembly out of the hole in the backside of the grill.
4. Insert new lamp assembly and rotate clockwise to lock.
5. Reconnect harness to lamp assembly.
6. Close hood.

INTERLOCKS AND RELAYS

Loose or damaged wiring may cause your tractor to run poorly, stop running, or prevent it from starting.

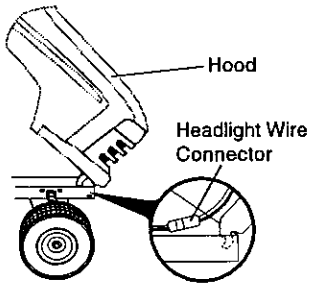
- Check wiring. See electrical wiring diagram in the Repair Parts section.

TO REPLACE FUSE

Replace with 20 amp automotive-type plug-in fuse. The fuse holder is located behind the dash.

TO REMOVE HOOD AND GRILL ASSEMBLY

1. Raise hood.
2. Unsnap headlight wire connector.
3. Stand in front of tractor. Grasp hood at sides, tilt toward engine and lift off of tractor.
4. To replace, reverse above procedure.



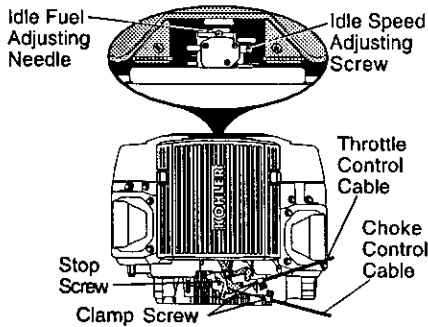
ENGINE

Maintenance, repair, or replacement of the emission control devices and systems, which are being done at the customer's expense, may be performed by any non-road engine repair establishment or individual. Warranty repairs must be performed by an authorized engine manufacturer's service outlet.

TO ADJUST THROTTLE CONTROL CABLE

The throttle control has been preset at the factory and adjustment should not be necessary. Check adjustment as described below before loosening cable. If adjustment is necessary, proceed as follows:

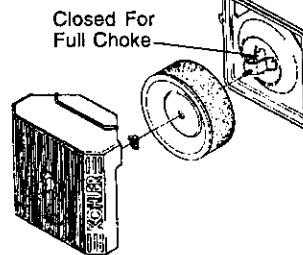
1. With engine not running, move throttle control lever to fast position.
2. Check that speed control lever is against stop screw. If it is not, loosen casing clamp screw and pull throttle cable until lever is against screw. Tighten clamp screw securely.



TO ADJUST CHOKE CONTROL

The choke control has been preset at the factory and adjustment should not be necessary. Check adjustment as described below before loosening cable. If adjustment is necessary, proceed as follows:

1. With engine not running, move choke control (located on dash panel) to full choke position.
2. Remove air cleaner cover, filter and cartridge plate to expose carburetor choke (See "AIR FILTER" in the Maintenance section of this manual).
3. Choke should be closed. If it is not, loosen casing clamp screw and move choke cable until choke is completely closed. Tighten casing clamp screw securely.
4. Reassemble air cleaner.



TO ADJUST CARBURETOR

The carburetor has been present at the factory and adjustment should not be necessary. However, minor adjustment may be required to compensate for differences in fuel, temperature, altitude or load. If the carburetor does need adjustment, proceed as follows: In general, turning the adjusting needles in (clockwise) decreases the supply of fuel to the engine giving a leaner fuel/air mixture. Turning the adjusting needles out (counterclockwise) increases the supply of fuel to the engine giving a richer fuel/air mixture.

IMPORTANT: Damage to the needles and the seats in carburetor may result if screw is turned in too tight.

PRELIMINARY SETTING -

1. Be sure you have a clean air filter, and the throttle control cable is adjusted properly (see "TO ADJUST THROTTLE CONTROL CABLE" in the Service and Adjustments section of this manual).

2. With engine off turn idle fuel adjusting needle **in** (clockwise) closing it finger tight and then turn **out** (counterclockwise) 1 turn.

FINAL SETTING -

1. Start engine and allow to warm for five minutes. Make final adjustments with engine running and shift/motion control lever in neutral (N) position.

NOTE: The high idle is set at the factory and cannot be adjusted.

2. **Idle speed setting** - With throttle control lever in slow position, engine should idle at 1200 RPM. If engine idles too slow or fast, turn idle speed adjusting screw in or out until correct idle is attained.
3. **Idle fuel needle setting** - With throttle control lever in slow position, turn idle fuel adjusting needle **in** (clockwise) until engine speed decreases and then turn **out** (counterclockwise) approximately 3/4 turn to obtain the best low speed performance.
4. Recheck idle speed. Readjust if necessary.

ACCELERATION TEST -

5. Move throttle control lever from slow to fast position. If engine hesitates or dies, turn idle fuel adjusting needle **out** (counterclockwise) 1/8 turn. Repeat test and continue to adjust, if necessary, until engine accelerates smoothly.

High speed stop is factory adjusted. Do not adjust-damage may result.

IMPORTANT: Never tamper with the engine governor, which is factory set for proper engine speed. Overspeeding the engine above the factory high speed setting can be dangerous. If you think the engine-governed high speed needs adjusting, contact your nearest Sears or other qualified service center, which has proper equipment and experience to make any necessary adjustments.

STORAGE

Immediately prepare your tractor for storage at the end of the season or if the tractor will not be used for 30 days or more.

CAUTION: Never store the tractor with gasoline in the tank inside a building where fumes may reach an open flame or spark. Allow the engine to cool before storing in any enclosure.

TRACTOR

Remove mower from tractor for winter storage. When mower is to be stored for a period of time, clean it thoroughly, remove all dirt, grease, leaves, etc. Store in a clean, dry area.

1. Clean entire tractor (See "CLEANING" in the Maintenance section of this manual).
2. Inspect and replace belts, if necessary (See belt replacement instructions in the Service and Adjustments section of this manual).
3. Lubricate as shown in the Maintenance section of this manual.
4. Be sure that all nuts, bolts and screws are securely fastened. Inspect moving parts for damage, breakage and wear. Replace if necessary.
5. Touch up all rusted or chipped paint surfaces; sand lightly before painting.

BATTERY

- Fully charge the battery for storage.
- After a period of time in storage, battery may require recharging.
- To help prevent corrosion and power leakage during long periods of storage, battery cables should be disconnected and battery cleaned thoroughly (see "TO CLEAN BATTERY AND TERMINALS" in the Maintenance section of this manual).
- After cleaning, leave cables disconnected and place cables where they cannot come in contact with battery terminals.
- If battery is removed from tractor for storage, do not store battery directly on concrete or damp surfaces.

ENGINE

FUEL SYSTEM

IMPORTANT: It is important to prevent gum deposits from forming in essential fuel system parts such as carburetor, fuel hose, or tank during storage. Also,

experience indicates that alcohol blended fuels (called gasohol or using ethanol or methanol) can attract moisture which leads to separation and formation of acids during storage. Acidic gas can damage the fuel system of and engine while in storage.

1. Drain the fuel tank.
 2. Start the engine and let it run until the fuel lines and carburetor are empty.
- Never use engine or carburetor cleaner products in the fuel tank or permanent damage may occur.
 - Use fresh fuel next season.

NOTE: Fuel stabilizer is an acceptable alternative in minimizing the formation of fuel gum deposits during storage. Add stabilizer to gasoline in fuel tank or storage container. Always follow the mix ratio found on stabilizer container. Run engine at least 10 minutes after adding stabilizer to allow the stabilizer to reach the carburetor. Do not drain the gas tank and carburetor if using fuel stabilizer.

ENGINE OIL

Drain oil (with engine warm) and replace with clean engine oil. (See "ENGINE" in the Maintenance section of this manual).

CYLINDER(S)

1. Remove spark plug(s).
2. Pour one ounce of oil through spark plug hole(s) into cylinder(s).
3. Turn ignition key to "START" position for a few seconds to distribute oil.
4. Replace with new spark plug(s).

OTHER

- Do not store gasoline from one season to another.
- Replace your gasoline can if your can starts to rust. Rust and/or dirt in your gasoline will cause problems.
- If possible, store your tractor indoors and cover it to give protection from dust and dirt.
- Cover your tractor with a suitable protective cover that does not retain moisture. Do not use plastic. Plastic cannot breathe which allows condensation to form and will cause your tractor to rust.

IMPORTANT: Never cover tractor while engine and exhaust areas are still warm.

TROUBLESHOOTING CHART

| PROBLEM | CAUSE | CORRECTION |
|---|---|--|
| Will not start | <ol style="list-style-type: none"> 1. Out of fuel. 2. Engine not "CHOKED" properly. 3. Engine flooded. 4. Bad spark plug. 5. Dirty air filter. 6. Dirty fuel filter. 7. Water in fuel. 8. Loose or damaged wiring. 9. Carburetor out of adjustment. 10. Engine valves out of adjustment. | <ol style="list-style-type: none"> 1. Fill fuel tank. 2. See "TO START ENGINE" in Operation section. 3. Wait several minutes before attempting to start. 4. Replace spark plug. 5. Clean/replace air filter. 6. Replace fuel filter. 7. Drain fuel tank and carburetor, refill tank with fresh gasoline and replace fuel filter. 8. Check all wiring. 9. See "To Adjust Carburetor" in Service Adjustments section. 10. Contact a Sears or other qualified service center. |
| Hard to start | <ol style="list-style-type: none"> 1. Dirty air filter. 2. Bad spark plug. 3. Weak or dead battery. 4. Dirty fuel filter. 5. Stale or dirty fuel. 6. Loose or damaged wiring. 7. Carburetor out of adjustment. 8. Engine valves out of adjustment. | <ol style="list-style-type: none"> 1. Clean/replace air filter. 2. Replace spark plug. 3. Recharge or replace battery. 4. Replace fuel filter. 5. Drain fuel tank and refill with fresh gasoline. 6. Check all wiring. 7. See "To Adjust Carburetor" in Service Adjustments section. 8. Contact a Sears or other qualified service center. |
| Engine will not turn over | <ol style="list-style-type: none"> 1. Brake pedal not depressed. 2. Attachment clutch is engaged. 3. Weak or dead battery. 4. Blown fuse. 5. Corroded battery terminals. 6. Loose or damaged wiring. 7. Faulty ignition switch. 8. Faulty solenoid or starter. 9. Faulty operator presence switch(es). | <ol style="list-style-type: none"> 1. Depress brake pedal. 2. Disengage attachment clutch. 3. Recharge or replace battery. 4. Replace fuse. 5. Clean battery terminals. 6. Check all wiring. 7. Check/replace ignition switch. 8. Check/replace solenoid or starter. 9. Contact a Sears or other qualified service center. |
| Engine clicks but will not start | <ol style="list-style-type: none"> 1. Weak or dead battery. 2. Corroded battery terminals. 3. Loose or damaged wiring. 4. Faulty solenoid or starter. | <ol style="list-style-type: none"> 1. Recharge or replace battery. 2. Clean battery terminals. 3. Check all wiring. 4. Check/replace solenoid or starter. |
| Loss of power | <ol style="list-style-type: none"> 1. Cutting too much grass/too fast. 2. Throttle in "CHOKE" position. | <ol style="list-style-type: none"> 1. Set in "Higher Cut" position/ reduce speed. 2. Adjust throttle control. |

TROUBLESHOOTING CHART

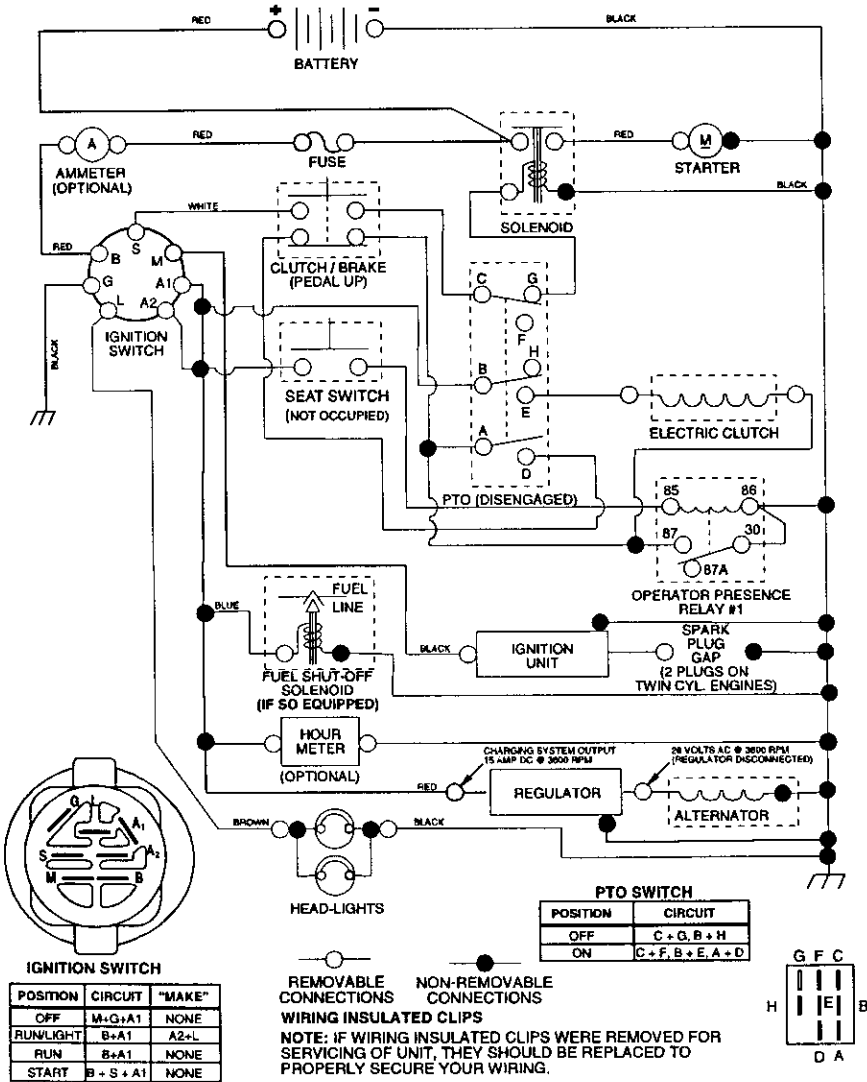
| PROBLEM | CAUSE | CORRECTION |
|---|--|--|
| Loss of power (continued) | <ol style="list-style-type: none"> 3. Build-up of grass, leaves and trash under mower. 4. Dirty air filter. 5. Low oil level/dirty oil. 6. Faulty spark plug. 7. Dirty fuel filter. 8. Stale or dirty fuel. 9. Water in fuel. 10. Spark plug wire loose. 11. Dirty engine air screen/fins. 12. Dirty/clogged muffler. 13. Loose or damaged wiring. 14. Carburetor out of adjustment. 15. Engine valves out of adjustment. | <ol style="list-style-type: none"> 3. Clean underside of mower housing. 4. Clean/replace air filter. 5. Check oil level/change oil. 6. Clean and regap or change spark plug. 7. Replace fuel filter. 8. Drain fuel tank and refill with fresh gasoline. 9. Drain fuel tank and carburetor, refill tank with fresh gasoline and replace fuel filter. 10. Connect and tighten spark plug wire. 11. Clean engine air screen/fins. 12. Clean/replace muffler. 13. Check all wiring. 14. See "To Adjust Carburetor" in Service Adjustments section. 15. Contact a Sears or other qualified service center. |
| Excessive vibration | <ol style="list-style-type: none"> 1. Worn, bent or loose blade. 2. Bent blade mandrel. 3. Loose/damaged part(s). | <ol style="list-style-type: none"> 1. Replace blade. Tighten blade bolt. 2. Replace blade mandrel. 3. Tighten loose part(s). Replace damaged parts. |
| Engine continues to run when operator leaves seat with attachment clutch engaged | <ol style="list-style-type: none"> 1. Faulty operator-safety presence control system. | <ol style="list-style-type: none"> 1. Check wiring, switches and connections. If not corrected, contact a Sears or other qualified service center. |
| Poor cut - uneven | <ol style="list-style-type: none"> 1. Worn, bent or loose blade. 2. Mower deck not level. 3. Buildup of grass, leaves, and trash under mower. 4. Bent blade mandrel. 5. Clogged mower deck vent from build-up of grass, leaves, and trash around mandrels. | <ol style="list-style-type: none"> 1. Replace blade. Tighten blade bolt. 2. Level mower deck. 3. Clean underside of mower housing. 4. Replace blade mandrel. 5. Clean around mandrels to open vent holes. |
| Mower blades will not rotate | <ol style="list-style-type: none"> 1. Obstruction in clutch mechanism. 2. Worn/damaged mower drive belt. 3. Frozen idler pulley. 4. Frozen blade mandrel. | <ol style="list-style-type: none"> 1. Remove obstruction. 2. Replace mower drive belt. 3. Replace idler pulley. 4. Replace blade mandrel. |

TROUBLESHOOTING CHART

| PROBLEM | CAUSE | CORRECTION |
|--|--|---|
| Poor grass discharge | <ol style="list-style-type: none"> 1. Engine speed too slow. 2. Travel speed too fast. 3. Wet grass. 4. Mower deck not level. 5. Low/uneven tire air pressure. 6. Worn, bent or loose blade. 7. Buildup of grass, leaves and trash under mower. 8. Mower drive belt worn. 9. Blades improperly installed. 10. Improper blades used. 11. Clogged mower deck vent holes from buildup of grass, leaves, and trash around mandrels. | <ol style="list-style-type: none"> 1. Place throttle control in "FAST" position. 2. Shift to slower speed. 3. Allow grass to dry before mowing. 4. Level mower deck. 5. Check tires for proper air pressure. 6. Replace/sharpen blade. Tighten blade bolt. 7. Clean underside of mower housing. 8. Replace mower drive belt. 9. Reinstall blades sharp edge down. 10. Replace with blades listed in this manual. 11. Clean around mandrels to open vent holes. |
| Headlight(s) not working (if so equipped) | <ol style="list-style-type: none"> 1. Switch is "OFF". 2. Bulb(s) or lamp(s) burned out. 3. Faulty light switch. 4. Loose or damaged wiring. 5. Blown fuse. | <ol style="list-style-type: none"> 1. Turn switch "ON". 2. Replace bulb(s) or Lamp(s). 3. Check/replace light switch. 4. Check wiring and connections. 5. Replace fuse. |
| Battery will not charge | <ol style="list-style-type: none"> 1. Bad battery cell(s). 2. Poor cable connections. 3. Faulty regulator (if so equipped). 4. Faulty alternator. | <ol style="list-style-type: none"> 1. Replace battery. 2. Check/clean all connections. 3. Replace regulator. 4. Replace alternator. |
| Loss of drive | <ol style="list-style-type: none"> 1. Freewheel control in "disengaged" position. 2. Motion drive belt worn, damaged, or broken. 3. Air trapped in transmission during shipment or servicing. | <ol style="list-style-type: none"> 1. Place freewheel control in "engaged" position. 2. Replace motion drive belt. 3. Purge transmission. |
| Engine "backfires" when turning engine "OFF" | <ol style="list-style-type: none"> 1. Engine throttle control not set at "SLOW" position for 30 seconds before stopping engine. | <ol style="list-style-type: none"> 1. Move throttle control to "SLOW" position and allow to idle for 30 seconds before stopping engine. |

TRACTOR -- MODEL NUMBER 917.272244

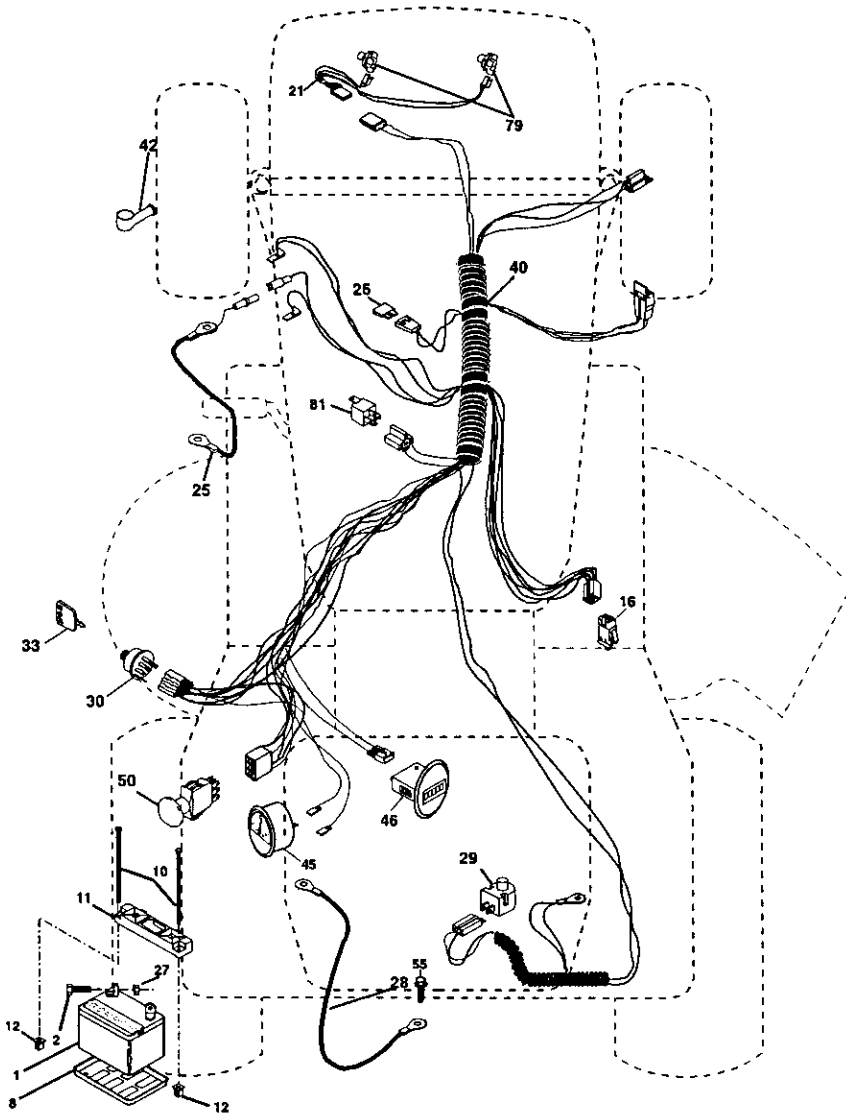
SCHEMATIC



REPAIR PARTS

TRACTOR -- MODEL NUMBER 917.272244

ELECTRICAL



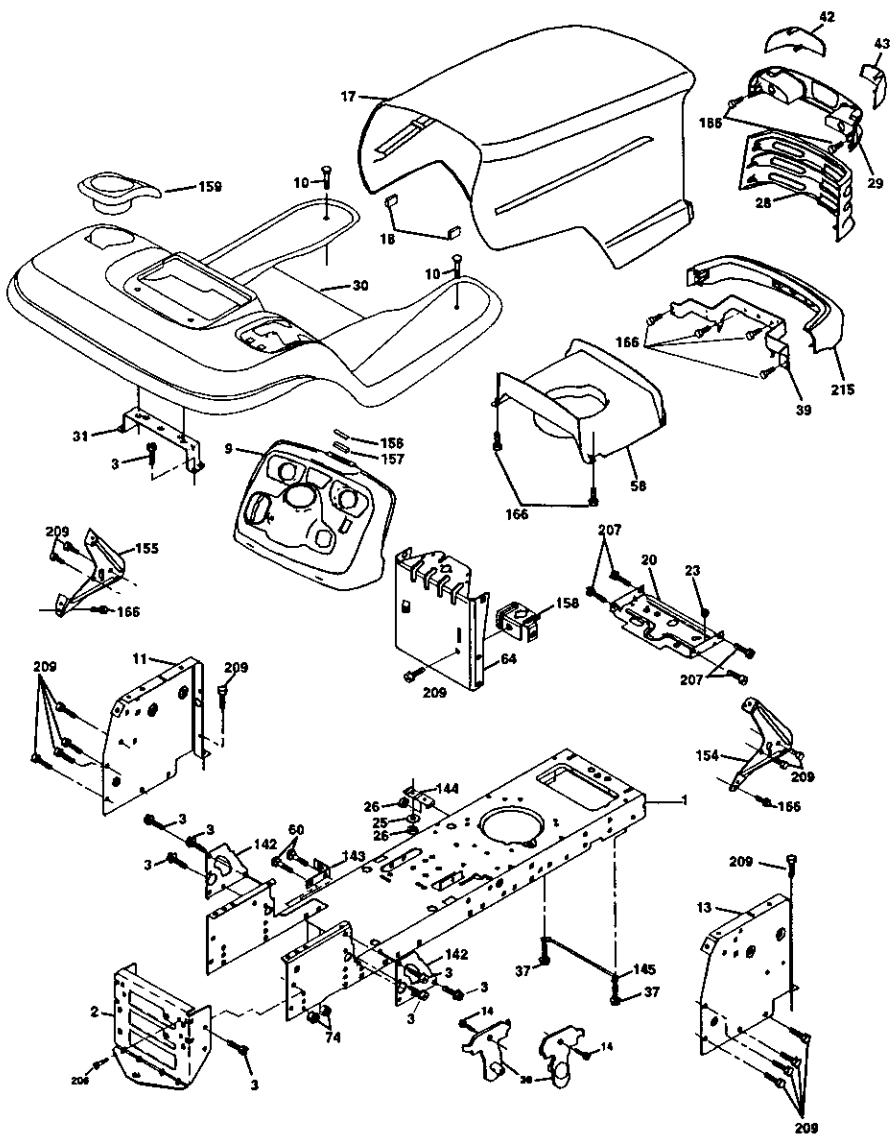
ELECTRICAL

TRACTOR -- MODEL NUMBER 917.272244

| KEY NO. | PART NO. | DESCRIPTION |
|----------------|-----------------|-----------------------------------|
| 1 | 163465 | Battery |
| 2 | 74760412 | Bolt, Hex 1/4-20 x 3/4 |
| 8 | 7603J | Tray, Battery |
| 10 | 145211 | Bolt, Btr Front 1/4-20 x 7-1/2 |
| 11 | 150109 | Holddown Battery Front Mount |
| 12 | 145769 | Nut, Push Nylon Battery Front 1/4 |
| 16 | 153664 | Switch Interlock Push-In |
| 21 | 175449 | Harness, Light |
| 25 | 178909 | Cable, Battery |
| 26 | 175158 | Fuse |
| 27 | 73510400 | Nut Keps Hex 1/4-20 UNC |
| 28 | 145491 | Cable, Ground |
| 29 | 160784 | Switch, Seat |
| 30 | 175442 | Switch, Ignition |
| 33 | 175447 | Key |
| 40 | 178452 | Harness, Ignition |
| 42 | 154336 | Cover Terminal |
| 45 | 177500 | Ammeter |
| 46 | 177501 | Hourmeter |
| 50 | 178461 | Switch Pto |
| 55 | 17490508 | Screw Thdrol 5/16-18 x 1/2 |
| 79 | 175448 | Bulb and Holder Asm Halogen |
| 81 | 109748X | Relay Asm |

NOTE: All component dimensions given in U.S. inches
1 inch = 25.4 mm

TRACTOR -- MODEL NUMBER 917.272244
CHASSIS AND ENCLOSURES

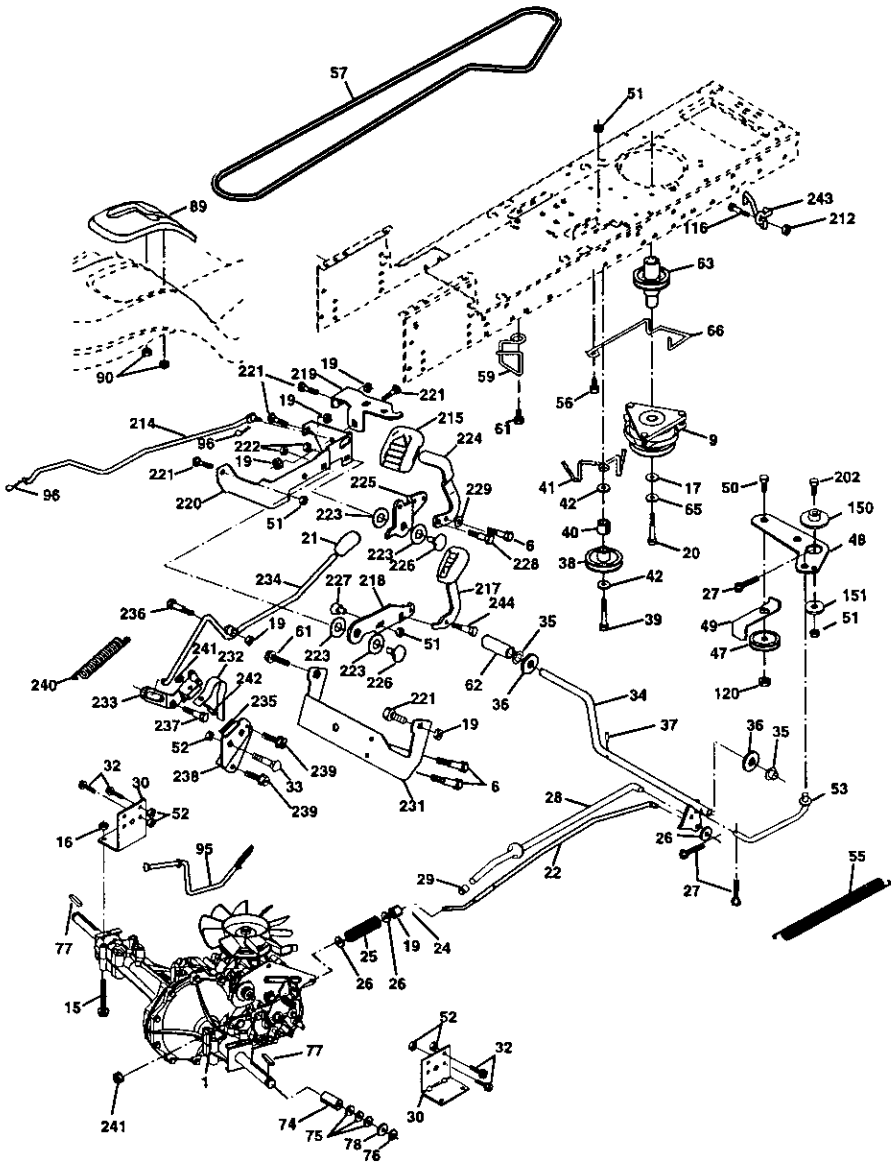


TRACTOR -- MODEL NUMBER 917.272244
CHASSIS AND ENCLOSURES

| KEY PART NO. | PART NO. | DESCRIPTION |
|---------------------|-----------------|--------------------------------------|
| 1 | 174619 | Chassis |
| 2 | 176554 | Drawbar |
| 3 | 17060612 | Screw, 3/8-16 x 3/4 |
| 9 | 172542X418 | Dash |
| 10 | STD533710 | Bolt RDHD SQNK 3/8-16unc x 1 |
| 11 | 174996 | Panel, Dash, LH |
| 13 | 179174X010 | Panel, Dash, RH |
| 14 | 17490608 | Screw Thdrol 3/8-16 x 1/2 |
| 17 | 172540X615 | Hood Assembly |
| 18 | 126938X | Bumper Hood |
| 20 | 156437 | Plate Battery |
| 23 | 124028X | Bushing Snap |
| 25 | 19131312 | Washer 13/32 x 13/16 x 12 Gauge |
| 26 | STD541437 | Locknut, Hex, with Insert 3/8-16 UNC |
| 28 | 174945X418 | Grille |
| 29 | 174944X418 | Lightbox Dual |
| 30 | 175692X615 | Fender/Footrest |
| 31 | 139976 | Bracket, Fender/Support |
| 37 | 17490508 | Screw, Thdrol. 5/16-18 x 1/2 TYT |
| 38 | 175710 | Bracket Asm Pivot Mower Rear |
| 39 | 174988 | Bracket Pivot Hood |
| 42 | 172545X599 | Lens Lh |
| 43 | 172544X599 | Lens Rh |
| 58 | 174993 | Duct Hood |
| 60 | STD533707 | Bolt Rdhd Sqnk 3/8-16 UNC x 3/4 |
| 64 | 174997 | Dash Lower |
| 74 | STD541437 | Nut Crownlock 3/8-16 UNC |
| 142 | 175702 | Plate Reinforcement |
| 143 | 154966 | Bracket Swaybar Chassis |
| 144 | 175582 | Bracket Footrest |
| 145 | 156524 | Rod Pivot Chassis/Hood |
| 154 | 174679 | Bracket Dash Rh |
| 155 | 174680 | Bracket Dash Lh |
| 156 | 163805 | Striker Plate |
| 157 | 163806 | Magnet YTG |
| 158 | 162037 | Parking Brake Bkrt |
| 159 | 155123X418 | Cupholder Stl Blk |
| 166 | 164863 | HWHDH:-Lo. #13-16 x 3/4 |
| 206 | 170165 | Bolt Shoulder 5/16-18 |
| 207 | 17670508 | Screw Thdrol 5/16-18 x 1/2 |
| 209 | 17000612 | Screw Hexwsh Thdr 3/8-16 x 3/4 |
| 215 | 172543X615 | Bumper |

NOTE: All component dimensions given in U.S. inches
1 inch = 25.4 mm

TRACTOR -- MODEL NUMBER 917.272244
 GROUND DRIVE



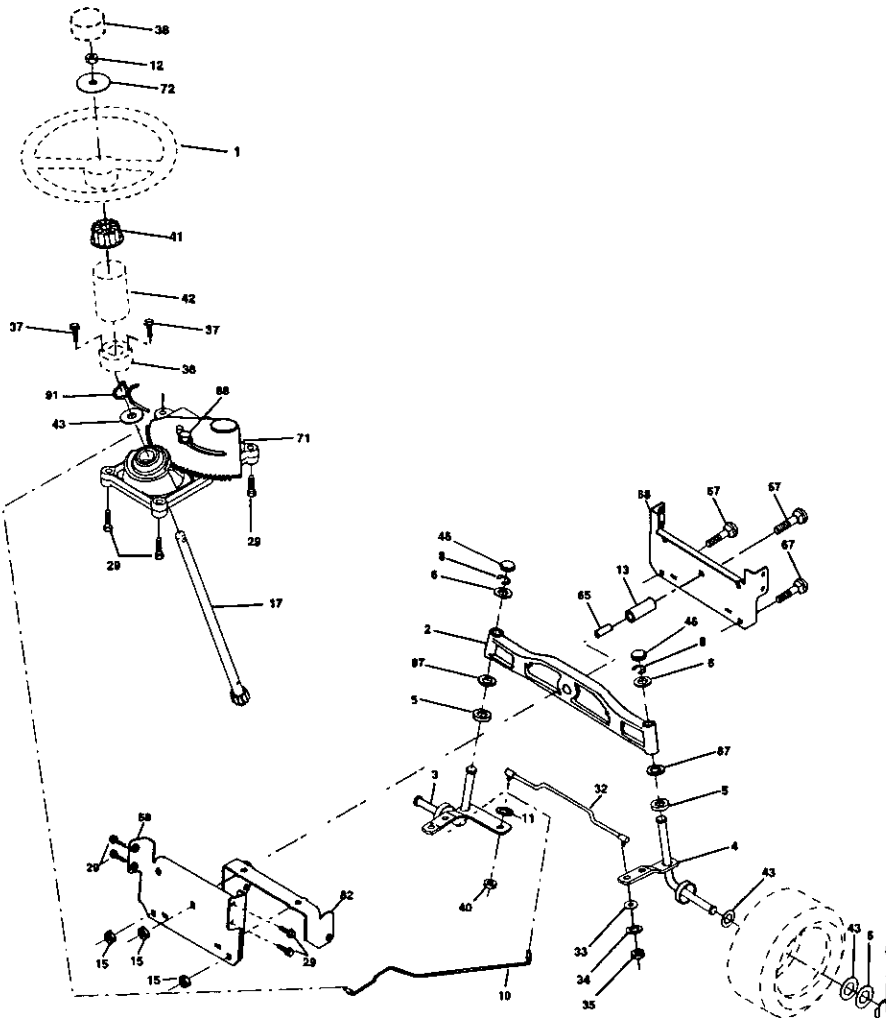
TRACTOR -- MODEL NUMBER 917.272244

GROUND DRIVE

| KEY PART NO. NO. | DESCRIPTION | KEY PART NO. NO. | DESCRIPTION |
|-----------------------------|-----------------------------------|-----------------------------|--|
| 1 | ----- | 76 | 12000001 E-Ring |
| | Transaxle (See Breakdown) | 77 | 123583X Key, Square |
| | Hydro gear Model 323-0510 | 78 | 121748X Washer 25/32 x 1-5/8 x 16 Ga. |
| 9 | 174367 | 89 | 174901X418 Console, Shift |
| 15 | 74490544 | 90 | 124346X Nut Self-Thd Wsh-hd 1/4 Zinc |
| 16 | 73800500 | 95 | 175899 Rod Bypass |
| 17 | 126197X | 96 | 4497H Retainer Spring 1" Zinc/Cad |
| | Washer 1-1/2 OD x 15/32 ID x .250 | 116 | 72140608 Bolt RDHD SQNK 3/8-16 Unc x 1 |
| 19 | 73800600 | 120 | 73900600 Nut Lock Flg 3/8-16 Unc |
| 20 | 173937 | 150 | 175456 Spacer Retainer |
| 21 | 175036X505 | 151 | 19133210 Washer 13/32 x 2 x 10 Ga. |
| 22 | 175896 | 202 | 72110612 Bolt Carr Sh 3/8-16 x 1-1/2 Gr. 5 |
| 24 | 73350600 | 212 | 145212 Nut Hex Flange Lock |
| 25 | 106888X | 214 | 174735 Link Transaxle |
| 26 | 19131316 | 215 | 175646 Cover Pedal Forward |
| 27 | 76020412 | 217 | 179433 Pedal Reverse Asm W/Pad |
| 28 | 179607 | 218 | 174713 Arm Control Pedal Reverse |
| 29 | 179608X505 | 219 | 174839 Bracket Frest Pdl Ctrl. Hyd |
| 30 | 169592 | 220 | 174711 Bracket Mtg. Pedal Control |
| 32 | 74760512 | 221 | 72140606 Bolt Rdhd Sqnk 3/8-16 Unc x 3/4 |
| 33 | 72140506 | 222 | 73680700 Nut Crownlock 7/16-14 Unc |
| 34 | 175578 | 223 | 174840 Washer Nylon 11/16 ID x .060 |
| 35 | 120183X | 224 | 174736 Pedal Forward |
| 36 | 19211616 | 225 | 174712 Arm Control Pedal Forward |
| 37 | 1572H | 226 | 174902 Bolt Pivot Spacer |
| 38 | 165936 | 227 | 174710 Cam Reverse Pedal LT |
| 39 | 74760648 | 228 | 171873 Bolt Shoulder 5/16-18 |
| 40 | 175461 | 229 | 176451 Washer Serrated 5/16 x .75 |
| 41 | 175556 | 230 | 17060512 Screw 5/16-18 |
| 42 | 19131312 | 231 | 174573 Strap Torque |
| 47 | 127783 | 232 | 175570 Actuator Cruise Disengage |
| 48 | 154407 | 233 | 174856 Pawl Control Cruise |
| 49 | 123205X | 234 | 174856 Lever Control Cruise |
| 50 | 74760624 | 235 | 174857 Sector Control Cruise |
| 51 | 73680600 | 236 | 128903 Bolt Shoulder 3/8-16 Unc 1/44 |
| 52 | 73680500 | 237 | 170165 Bolt Shoulder 5/16-18 |
| 53 | 105710X | 238 | 175807 Arm Mtg. Cruise Sector |
| 55 | 105709X | 239 | 17490508 Screw Thdrol 5/16 x 1/2 |
| 56 | 17060616 | 240 | 175610 Spring Return Cruise Control |
| 57 | 140294 | 241 | 73930400 Nut Centerlock 1/4-20 Unc |
| 59 | 169691 | 242 | 74780412 Bolt Fin Hex 1/4-20 Unc x 3/4 |
| 61 | 17060612 | 243 | 178289 Bracket Anti-Rotation CVX |
| 62 | 123533X | 244 | 17060508 Screw 5/16-18 x 1/2 |
| 63 | 175417 | | |
| 65 | 10040700 | | |
| 66 | 154778 | | |
| 74 | 137057 | | |
| 75 | 121749X | | |

NOTE: All component dimensions given in U.S. Inches
1 inch = 25.4 mm

TRACTOR -- MODEL NUMBER 917.272244
STEERING ASSEMBLY



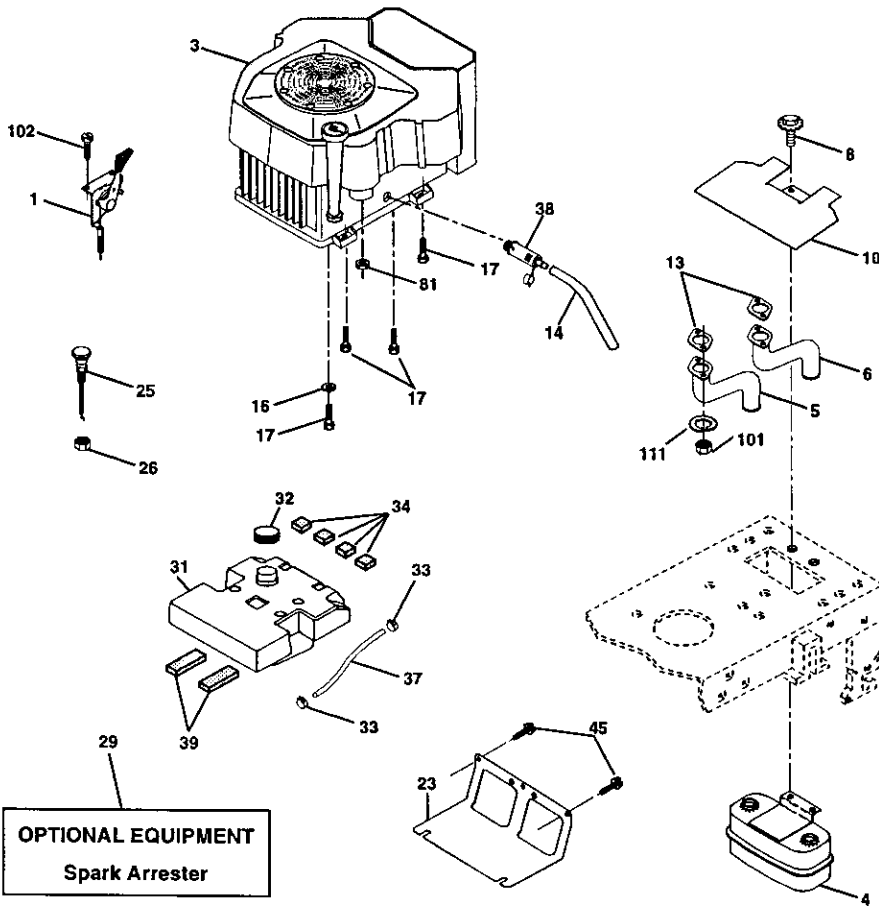
TRACTOR -- MODEL NUMBER 917.272244
STEERING ASSEMBLY

| KEY PART NO. | NO. | DESCRIPTION |
|--------------|------------|------------------------------------|
| 1 | 175139X418 | Steering Wheel |
| 2 | 172393 | Axle Assembly |
| 3 | 169840 | Spindle Assembly, L.H. |
| 4 | 169839 | Spindle Assembly, R.H. |
| 5 | 6266H | Bearing, Race, Thrust, Hardened |
| 6 | 121748X | Washer 25/32 x 1-5/8 x 16 Gauge |
| 8 | 12000029 | Ring, Klip |
| 10 | 175121 | Draglink |
| 11 | STD551137 | Washer, Lock |
| 12 | 73940800 | Nut Hex Jam Toplock 1/2-20 Unf |
| 13 | 136518 | Spacer Brg Axle Front |
| 15 | 145212 | Nut Hexflange Lock |
| 17 | 177883 | Shaft Assembly, Steering |
| 29 | 17060612 | Screw, 3/8-16 x 3/4 |
| 32 | 170162 | Rod, Tie |
| 33 | 19111216 | Washer 11/32 x 3/4 x 16 Ga. |
| 34 | STD551131 | Washer Lock Hvy Spr. 5/16 |
| 35 | 73540500 | Crownlock Nut 5/16-24 Unf |
| 36 | 155105 | Bushing, Steering |
| 37 | 152927 | Screw |
| 38 | 175140X418 | Insert, Steering Wheel |
| 40 | STD541537 | Nut Lock Center 3/8-24 Unf |
| 41 | 159945 | Adaptor, Steering Wheel |
| 42 | 174530X418 | Boot, Steering Shaft |
| 43 | 121749X | Washer 25/32 x 1-1/4 x 16 Gauge |
| 46 | 121232X | Cap, Spindle |
| 65 | 160367 | Spacer Brace Axle |
| 67 | 72140618 | Bolt Rdhd Sq 3/8-16 UNC x 2-1/4 |
| 68 | 169827 | Axle, Brace |
| 71 | 175146 | Steering Asm |
| 72 | 19182411 | Washer 9/16 Id x 1-1/2 Od 11 G Zin |
| 82 | 169835 | Bracket Susp Chassis Front |
| 87 | 173966 | Washer Flat .781 x 1-1/2 x .14 |
| 88 | 175118 | Bolt Shoulder 7/16-20 Unc |
| 91 | 175553 | Clip Steering |

NOTE: All component dimensions given in U.S. inches
 1 inch = 25.4 mm

TRACTOR -- MODEL NUMBER 917.272244

ENGINE



ENGINE

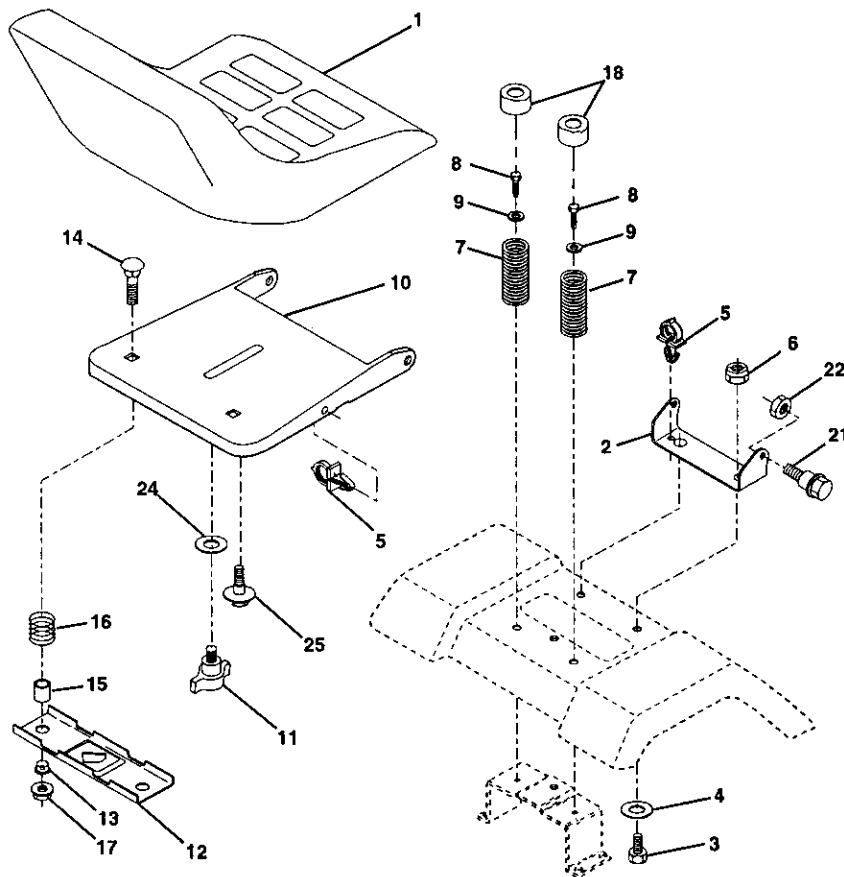
TRACTOR -- MODEL NUMBER 917.272244

| KEY PART NO. | NO. | DESCRIPTION |
|--------------|------------|---|
| 1 | 175439X505 | Control, Throttle |
| 3 | ----- | Engine, (See Breakdown) Kohler Model Number CV624-65578 |
| 4 | 149723 | Muffler |
| 5 | 146699 | Pipe Exhaust Lh |
| 6 | 146700 | Pipe Exhaust Rh |
| 8 | 171877 | Bolt 5/16-18 Unc x 3/4 |
| 10 | 146629 | Shield Heat |
| 13 | 24-041-02 | Gasket Kohler CV18-CV26 (See Engine Breakdown) |
| 14 | 148456 | Tube Drain Oil Easy |
| 16 | 11050600 | Washer, Lock, External Tooth 3/8 |
| 17 | 17490624 | Screw Thdrol 3/8-16 x 1-1/2 |
| 23 | 169837 | Shield, Browning / Debris Guard |
| 25 | 175441X505 | Choke Control |
| 26 | 73920600 | Nut, Keps 3/8-24 UNF |
| 29 | 137180 | Kit, Spark Arrestor |
| 31 | 157103 | Tank Fuel |
| 32 | 161696 | Cap Asm Fuel |
| 33 | 123487X | Clamp, Hose |
| 34 | 106082X | Pad, Spacer |
| 37 | 8543R | Line, Fuel |
| 38 | 148315 | Plug Drain Oil Easy |
| 39 | 109227X | Pad, Idler |
| 45 | 17000612 | Screw Hexwsh Thdr 3/8-16 x 3/4 |
| 81 | 73510400 | Nut Keps Hex 1/4-20 UNC |
| 101 | M73030800 | Nut Flange M8-1.25 |
| 102 | 164863 | Screw Hwhd H.-Lo #13016 x 3/4 |
| 111 | 10010500 | Washer Split |

NOTE: All component dimensions given in U.S. inches
1 inch = 25.4 mm

TRACTOR -- MODEL NUMBER 917.272244

SEAT ASSEMBLY



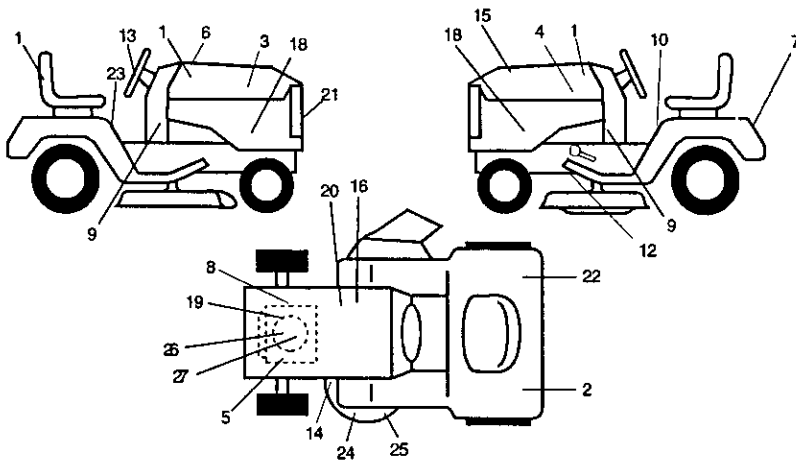
| KEY PART NO. NO. | DESCRIPTION |
|------------------|--------------------------------------|
| 1 | 175134 Seat |
| 2 | 140551 Bracket, Pivot, Seat |
| 3 | 71110616 Bolt |
| 4 | 19131610 Washer 13/32 x 1 x 10 Gauge |
| 5 | 145006 Clip, Push-In Hinged |
| 6 | STD541437 Nut |
| 7 | 124181X Spring, Seat |
| 8 | 17000616 Screw 3/8-16 x 1-1/2 |
| 9 | 19131614 Washer 13/32 x 1 x 14 Gauge |
| 10 | 174894 Pan, Seat |
| 11 | 177957 Knob Seat |
| 12 | 121246X Bracket, Switch Mounting |
| 13 | 121248X Bushing, Snap |

| KEY PART NO. NO. | DESCRIPTION |
|------------------|---|
| 14 | 72050412 Bolt, Carriage 1/4-20 x 1-1/2 |
| 15 | 121249X Spacer, Split |
| 16 | 123740X Spring |
| 17 | 123976X Locknut, Flange 1/4 Grade 5 |
| 18 | 124238X Cap Spring Seat |
| 21 | 171852 Bolt, Shoulder 5/16-18 UNC |
| 22 | STD541431 Nut |
| 24 | 19171912 Washer 17/32 x 1-3/16 x 12 Gauge |
| 25 | 127018X Bolt, Shoulder 5/16-18 x .62 |

NOTE: All component dimensions given in U.S. inches
1 inch = 25.4 mm

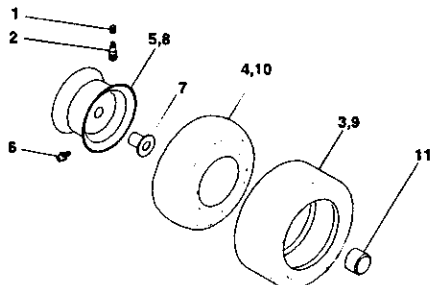
TRACTOR -- MODEL NUMBER 917.272244

DECALS



| KEY PART NO. | NO. | DESCRIPTION | KEY PART NO. | NO. | DESCRIPTION |
|--------------|--------|-------------------------------|--------------|------------|---------------------------------|
| 1 | 177888 | Decal, Hood/Seat | 18 | 177913 | Decal, Panel Side |
| 2 | 174969 | Reflector L.H. | 19 | 177918 | Decal, Engine |
| 3 | 177909 | Decal, Hood, R.H. | 20 | 149516 | Decal, Battery Dngr/Psn Eng |
| 4 | 177910 | Decal, Hood, L.H. | 21 | 177889 | Decal, Grille |
| 5 | 177917 | Decal, Engine HP LH | 22 | 174970 | Reflector RH |
| 6 | 133644 | Decal, Customer Maintenance | 23 | 177955 | Decal, Fender Oper Cruise |
| 7 | 178989 | Decal, Seat | 24 | 178482 | Decal, Hvy Duty |
| 8 | 177916 | Decal, Engine HP RH | 25 | 178455 | Decal, Deck Caution Tension Arm |
| 9 | 177967 | Decal, Dash Lower | 26 | 177914 | Decal, Engine |
| 10 | 156439 | Decal, Fender Danger | 27 | 177915 | Decal, Engine |
| 12 | 146046 | Decal, V-Belt Drive Schematic | -- | 138311 | Decal, Lift Handle |
| 13 | 177890 | Decal, Strg Wheel | -- | 174998X418 | Pad Footrest LH |
| 14 | 175291 | Decal, V-Belt Schematic | -- | 175542X418 | Pad Footrest RH |
| 15 | 177254 | Decal, Replc | -- | 169210 | Decal, By Pass Lt Hydro |
| 16 | 138047 | Decal, Battery Diehard | -- | 180171 | Owner's Manual, English |
| 17 | 164757 | Decal, Hp Engine | -- | 180172 | Owner's Manual, Spanish |

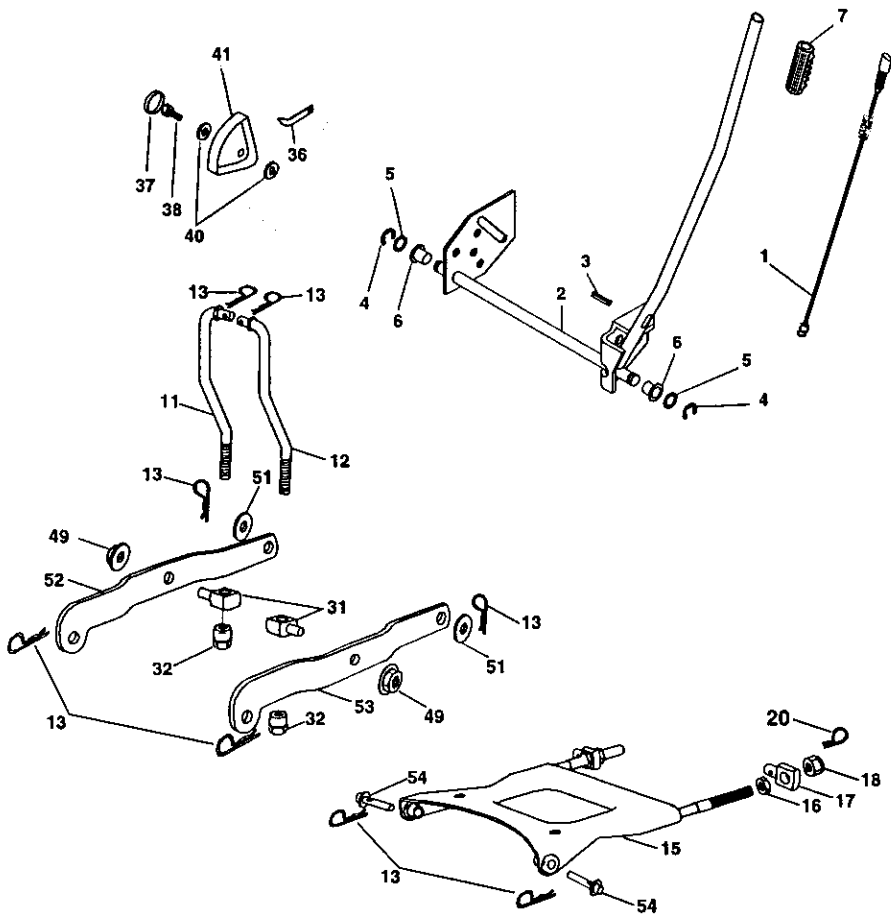
WHEELS & TIRES



| KEY PART NO. | NO. | DESCRIPTION |
|--------------|------------|---|
| 1 | 59192 | Valve Cap, Tire |
| 2 | 65139 | Stem, Valve |
| 3 | 177750 | Tire, Front |
| 4 | 59904 | Tube, Front Tire (Not Provided, Service Item Only) |
| 5 | 106732X417 | Rim, Front |
| 6 | 278H | Fitting, Grease (Front Wheel Only) |
| 7 | 9040H | Bearing, Flange (Front Wheel Only) |
| 8 | 106108X417 | Rim, Rear |
| 9 | 177751 | Tire, Rear |
| 10 | 7152J | Tube, Rear Tire (Not Provided, Service Item Only) |
| 11 | 104757X417 | Cap, Axle |
| -- | 144334 | Sealant, Tire 10 oz. |

NOTE: All component dimensions given in U.S. inches
1 inch = 25.4 mm

LIFT ASSEMBLY TRACTOR -- MODEL NUMBER 917.272244



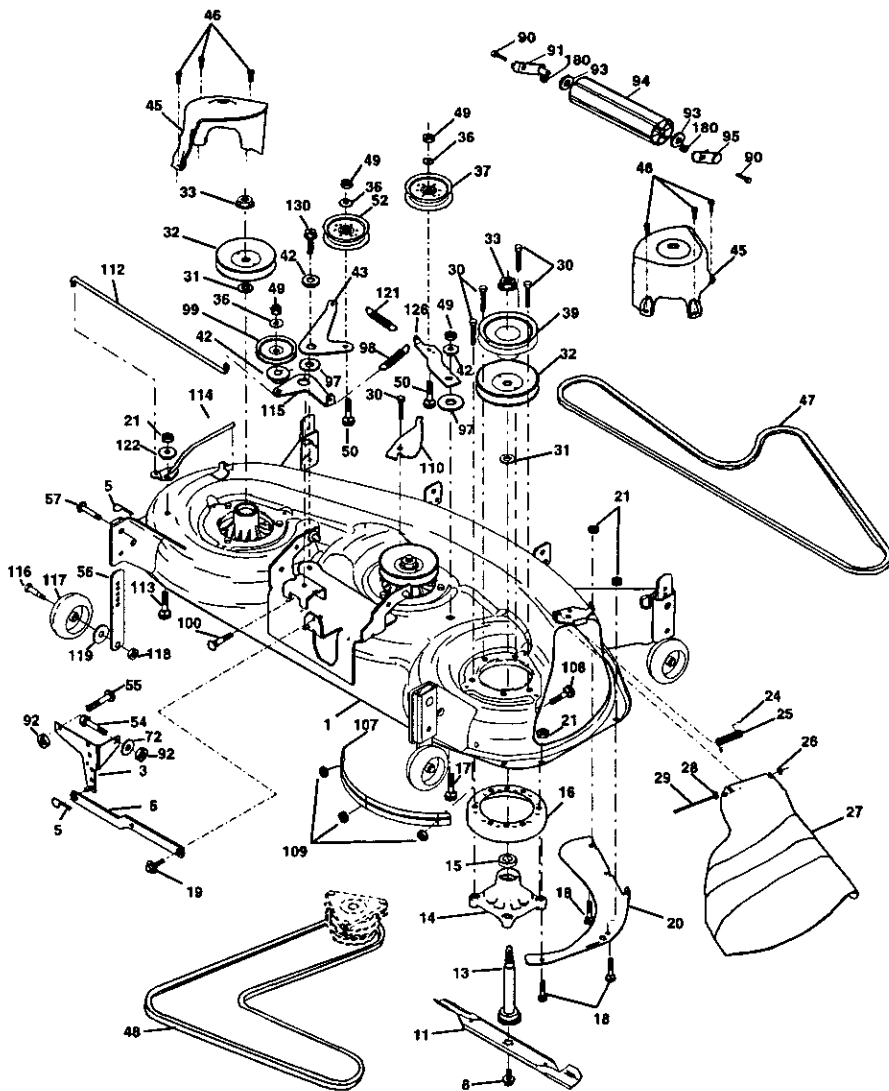
LIFT ASSEMBLY**TRACTOR -- MODEL NUMBER 917.272244**

| KEY PART NO. | PART NO. | DESCRIPTION |
|-------------------------|---------------------|------------------------------|
| 1 | 176263 | Plunger Assembly |
| 2 | 159476 | Shaft Assembly, Lift |
| 3 | 178981 | Pin, Groove |
| 4 | 12000002 | E-Ring |
| 5 | 19211621 | Washer 21/32 x 1 x 21 Gauge |
| 6 | 120183X | Bearing, Nylon |
| 7 | 175830 | Grip, Handle, Fluted |
| 11 | 175370 | Link, Lift, L.H. |
| 12 | 175371 | Link, Lift, R.H. |
| 13 | 4939M | Retainer Spring |
| 15 | 175562 | Plate Asm Suspension Front |
| 16 | 73350800 | Nut Jam Hex 1/2-13 Unc |
| 17 | 175689 | Trunnion Front Susp. |
| 18 | 73800800 | Nut Lock w/Wsh 1/2-13 Unc |
| 20 | 163552 | Retainer Spring |
| 31 | 176205 | Trunion Sups. Arm. |
| 32 | 175994 | Nut Lift Link 7/16-20 |
| 36 | 155097 | Pointer Height Indicator |
| 37 | 123935X | Plug Hole |
| 38 | 17060516 | Screw 5/16-18 x 1 |
| 40 | 19112410 | Washer 11/32 x 1-1/2 x 10 Ga |
| 41 | 155098 | Indicator Height Sift |
| 49 | 145212 | Nut Hex/Large Lock |
| 51 | 19171416 | Washer 17/32 x 7/8 x 16 Ga. |
| 52 | 175378 | Arm Suspension Rear LH |
| 53 | 175802 | Arm Suspension Rear RH |
| 54 | 175560 | Pin Flange |

NOTE: All component dimensions given in U.S. inches
1 inch = 25.4 mm

TRACTOR -- MODEL NUMBER 917.272244

MOWER DECK

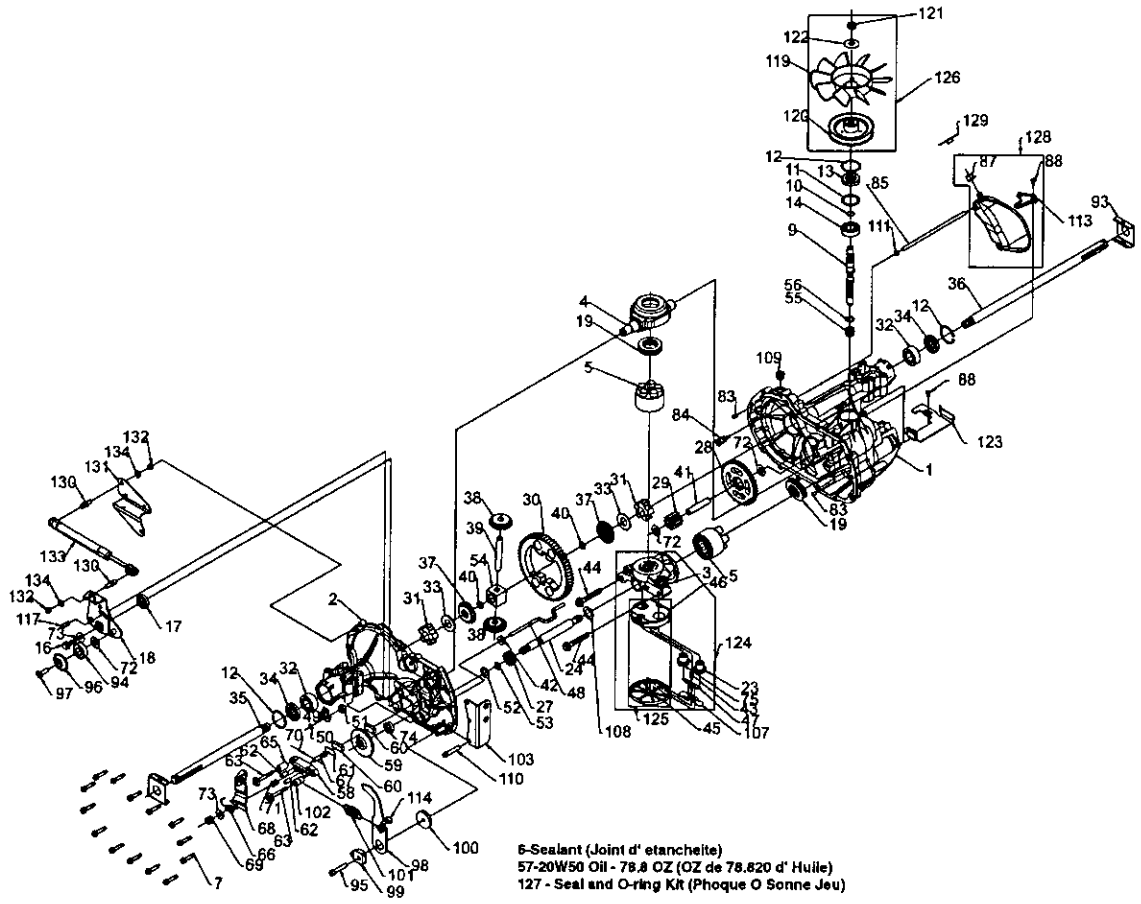


TRACTOR -- MODEL NUMBER 917.272244

MOWER DECK

| KEY PART NO. | PART NO. | DESCRIPTION | KEY PART NO. | PART NO. | DESCRIPTION |
|---------------------|-----------------|----------------------------------|---------------------|-----------------|--|
| 1 | 174348 | Deck Weldment Mower 48 | 54 | 74780616 | Bolt Fin Hex 3/8-16unc x 1 Gr 5 |
| 3 | 138017 | Bracket Asm., Sway Bar | 55 | 72140608 | Bolt RDHD SQNK 3/8-16unc x 1 |
| 5 | 4939M | Retainer Spring | 56 | 155986 | Bar Pnt Adj. |
| 6 | 130832 | Arm, Suspension, Rear (Sway Bar) | 57 | 156941 | Pin Head Rivet |
| 8 | 174365 | Bolt 7/16 Asm. Blade | 90 | 74760516 | Bolt Hex 5/16-18 x 1 |
| 11 | 173920 | Blade | 91 | 175384 | Bracket Asm Noseroller LH |
| 13 | 174360 | Shaft Mandrel Asm. Greaseable | 92 | 73800600 | Nut Lock Hex W/Ins 3/8-16 Unc |
| 14 | 174358 | Housing Mandrel | 93 | 19171416 | Washer 17/32 x 7/8 |
| 15 | 110485X | Bearing, Ball, Mandrel | 94 | 176066 | Noseroller |
| 16 | 174493 | Stripper Mandrel Deck | 95 | 175996 | Bracket Asm Noseroller RH |
| 17 | 72110610 | Bolt RDHD Sq Neck 3/8-16 x 1.25 | 97 | 133943 | Washer Hardened |
| 18 | 72140505 | Bolt, Carriage 5/16-18 x 5/8 | 98 | 174370 | Spring Primary Drive |
| 19 | 132827 | Bolt, Hex Hd, Shoulder 5/16-18 | 99 | 175080 | Pulley Idler ^V |
| 20 | 174378 | Baffle, Vortex Mower | 100 | 72110616 | Bolt RDHD Sqnk 3/8-16 UNC x 2 |
| 21 | 73680500 | Nut, Crownlock 5/16-18 UNC | 107 | 175294 | Baffle Vac Edge Mower |
| 24 | 105304X | Cap, Sleeve | 108 | 72110404 | Bolt Carr. |
| 25 | 178102 | Spring, Torsion | 109 | 73680400 | Nut Crownlock 1/4-20 |
| 26 | 110452X | Nut, Push | 110 | 175016 | Arm Spring Secondary |
| 27 | 174346X428 | Deflector Shield | 112 | 174387 | Link Tension Relief Lever |
| 28 | 19111016 | Washer 11/32 x 5/8 x 16 Ga. | 113 | 72110508 | Bolt Carr. 5/16-18 x 1 |
| 29 | 131491 | Rod, Hinge | 114 | 174384 | Tension Asm Relief Lever |
| 30 | 173984 | Screw Thd Roll Hex | 115 | 174609 | Arm Spring Tension Relief |
| 31 | 129963 | Washer, Spacer Mower Vented | 116 | 137644 | Bolt, Shoulder |
| 32 | 177865 | Pulley, Mandrel | 117 | 174873 | Gauge Wheel |
| 33 | 178342 | Nut, Fig. Top Lock Cntr. 9/16 | 118 | 73930600 | Nut, Centerlock 3/8-16 UNC |
| 36 | 19131316 | Washer 13/32 x 13/16 x 16 Ga. | 119 | 19121414 | Washer 3/8 x 7/8 x 14 Ga. |
| 37 | 177968 | Pulley, Idler | 121 | 174371 | Spring Secondary Drive |
| 39 | 174375 | Pulley, Idler, Driven | 122 | 174606 | Bushing Pivot Tension Relief |
| 42 | 165723 | Spacer, Retainer | 126 | 174372 | Arm, Idler, Primary Deck |
| 43 | 174373 | Arm, Idler Secondary | 130 | 17060616 | Screw 3/8-16 x 1.0 |
| 45 | 174343 | Cover, Mandrel Deck | 180 | 73800500 | Nut Lock 5/16-18 |
| 46 | 137729 | Screw, Thdroll. 1/4-20 x 5/8 | -- | 175312 | Replacement Mower, Complete |
| 47 | 174369 | V-Belt, Mower, Secondary | -- | 174356 | Mandrel Asm. Service (Includes Key Nos. 13-15) |
| 48 | 174368 | V-Belt, Mower, Primary | | | |
| 49 | 73680600 | Nut, Crownlock 3/8-16 UNC | | | |
| 50 | 72110612 | Bolt, Carr. 3/8-16 x 1-1/2 Gr. 5 | | | |
| 52 | 175820 | Pulley Idler Flat | | | |
| 53 | 19131312 | Washer 13/32 x 13/16 x 12 Ga | | | |

NOTE: All component dimensions given in U.S. inches
1 inch = 25.4 mm



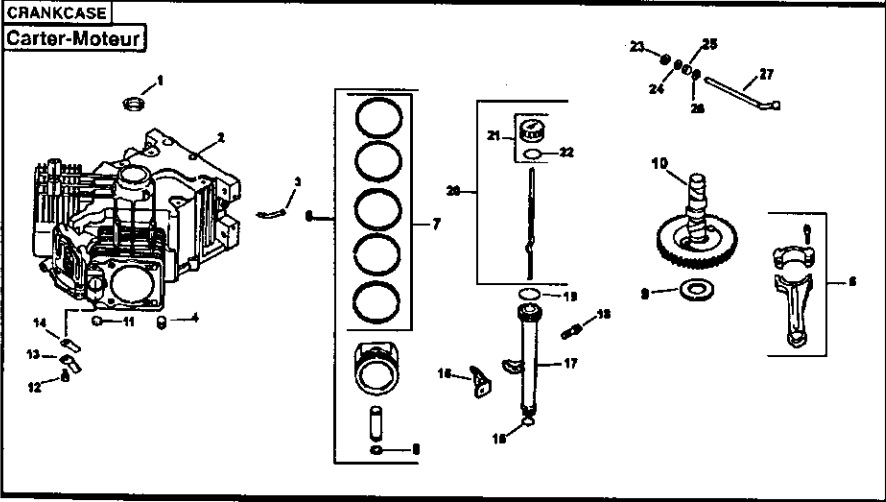
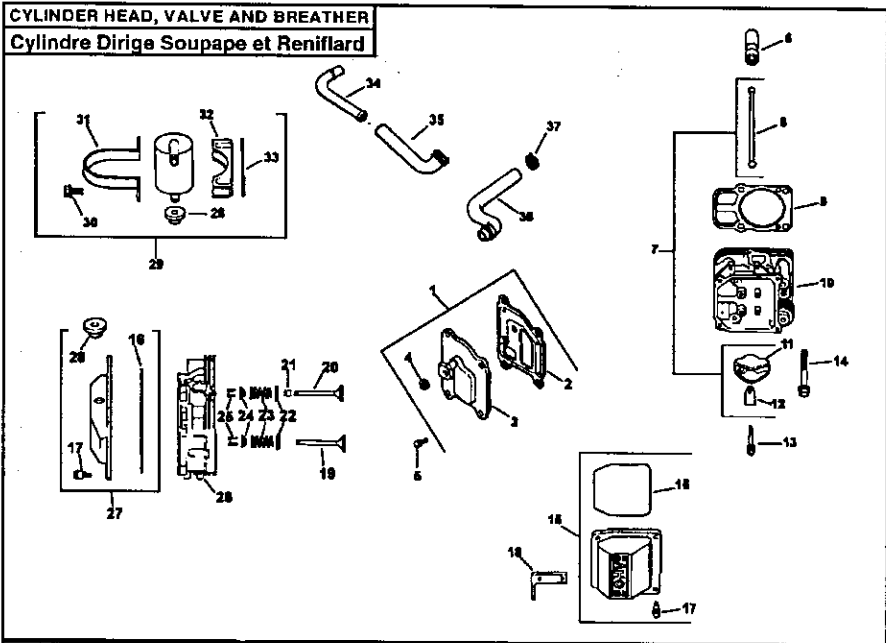
TRACTOR -- MODEL NUMBER 917.272244
HYDRO GEAR TRANSAXLE -- MODEL NUMBER 323-0510

TRACTOR -- MODEL NUMBER 917.272244
HYDRO GEAR TRANSAXLE -- MODEL NUMBER 323-0510

| KEY PART NO. | PART NO. | DESCRIPTION | KEY PART NO. | PART NO. | DESCRIPTION |
|--------------|----------|---|--------------|----------|--|
| 1 | 170351 | Main Housing, Assembly | 68 | 178782 | Arm, Brake |
| 2 | 170352 | Side Housing, Assembly | 69 | 170415 | Slotted Hex Nut 5/16-24 |
| 3 | 170353 | Center Section, Assembly | 70 | 170416 | Cotter Pin 3/32 X 3/4 |
| 4 | 170354 | Swashplate, Trunion Machined | 71 | 170417 | Compression Spring Brake Anti- Drag |
| 5 | 169898 | Block - Assembly | | | |
| 6 | 170355 | Sealant 10.5 Oz | 72 | 170418 | Washer, Ht .5 I.D. X 1 O.D. X .032 |
| 7 | 170356 | Hex Flange Screw 1/4-20 X 1.25 | 73 | 142884 | Flat - Washer 11/32 I.D. X 7/8 O.D |
| 8 | 170357 | Stud, 5/16-24 Hex Double End | 74 | 170419 | Oil Seal .625 X 1.0 X .25 |
| 9 | 170358 | Shaft, Input | 75 | 170420 | Check Plug Assembly, .027, Washer |
| 10 | 170359 | Ring - Retaining | | | |
| 11 | 170360 | Spacer | 76 | 170421 | Stud, 5/16-24 Friction Pack |
| 12 | 169870 | Ring - Retaining | 77 | 170422 | Puck, .330 X 1.50 X .0975 |
| 13 | 170361 | Seal, Lip .67 X 1.58 X .276 | 78 | 142969 | Spring, Helical Comp |
| 14 | 169869 | Ball Brg 17mm Id X 40mm Od X 12mm | 79 | 142980 | Spacer |
| | | | 80 | 150778 | Hex Lock Nut 5/16-24Unjl(Nylon Insert) |
| 16 | 170362 | Hex Flange Head Screw 5/16- 24X0.75 | 81 | 170423 | Wedge, Friction Pack |
| 17 | 170363 | Lip Seal 18 X 32 X 7 | 82 | 170424 | Clip, Washer .316x1.50x.1046 (Plated) |
| 18 | 178781 | Arm, Control | | | |
| 19 | 150771 | Bearing, 30x52x13 Thrust | 83 | 161168 | Pin, Standard Headless |
| 23 | 170365 | Check Plug Assembly, Washer | 84 | 170425 | Fitting, 5/16 Sae 5/32 Tube |
| 24 | 170366 | Shaft, Motor | 85 | 170426 | Hose, Expansion Tank |
| 27 | 170367 | Gear - Pinion, 13t | 87 | 142917 | Cap - Poppet Valve |
| 28 | 170368 | 10W/48t Gear | 88 | 170429 | Bolt, Self Tapping 10-32 X 1/2 |
| 29 | 170369 | Gear, 10t Jackshaft | 90 | 170430 | Puck, Inner Wedge |
| 30 | 170370 | 60t Bull Gear | 93 | 170431 | Spring Clip - Housing Thrust |
| 31 | 170371 | Sleeve Bearing .75 X 1.575 X .625 | 94 | 178783 | Bearing, Ball |
| 32 | 170389 | Sleeve Bearing(Outboard) .75x1.750x.625 | 95 | 178784 | Screw, Socket Head Cap 5/16- 24X1-1/2 |
| 33 | 142991 | Washer, 3/4Id X 1-1/2Od X .13Thk | 96 | 178786 | Spacer, Locating |
| 34 | 170390 | Lip Seal Axle Seal | 97 | 178787 | Screw, SFHCS 5/16-18 X1 |
| 35 | 170391 | Shaft, Axle .75 X 11.39 (Key,R.H.) | 98 | 178789 | Arm Return |
| 36 | 170392 | Shaft, Axle .75 X 16.99 (Key,L.H.) | 99 | 178792 | Puck, Adjusting |
| 37 | 150792 | Miter Gear (Splined) | 100 | 178793 | Washer, .24 ID X 1.60 OD X .239 |
| 38 | 150793 | Miter Gear 15t (0.5 Id) | 101 | 178794 | Spring, Extension |
| 39 | 150809 | Shaft | 102 | 178795 | Spacer .260 ID X .560 OD X .870 |
| 40 | 170393 | Ring, Spiral Retaining | 103 | 178796 | Bracket, Torque |
| 41 | 170394 | Pin, Jackshaft | 107 | 170432 | Deflector |
| 42 | 170395 | Magnet, Ring | 108 | 170433 | Washer, Motor Shaft .71Idx1.150dx.030thk |
| 43 | 170396 | Spring, Bypass | | | |
| 44 | 150797 | Hydro Mtg Screw 3/8-24 X 2.5 Long | 109 | 170434 | Plug, Sae #6 |
| 45 | 170397 | Filter | 111 | 170435 | O-Ring .07 X .301 I.D. |
| 46 | 170398 | Base, Filter | 113 | 170437 | Bracket, Support Expansion Tank |
| 47 | 170399 | Actuator, Bypass | 114 | 178797 | Spring |
| 48 | 170400 | Rod, Bypass Actuator | 116 | 170438 | Silicon Sponge |
| 49 | 170401 | Arm, Bypass | 117 | 178799 | Pin, Spring |
| 50 | 170402 | Retaining Ring .250 External | 119 | 170439 | Fan, 7 In. |
| 51 | 170403 | Seal, Lip .741 X .250 X .250 Tc | 120 | 170440 | Pulley |
| 52 | 170404 | Flat Washer, 5/8 Id X 1.0 Od X .05 Thk | 121 | 170441 | Hex Lock Nut 1/2-20 (Nylon Insert) |
| | | | 122 | 170442 | Washer, Belleville |
| | | | 123 | 178800 | Belt Keeper |
| | | | 124 | 170444 | Center Section-Filter-Bypass Assembly |
| 53 | 170405 | Retaining Ring | | | |
| 54 | 170406 | Bearing, Center Block | | | |
| 55 | 142977 | Spring - Helical Compression | 125 | 170445 | Filter Assembly |
| 56 | 142978 | Washer | 126 | 170446 | Fan - Pulley Service Assembly |
| 57 | 150798 | 20w-50 Oil | 127 | 170447 | Seal - O-Ring Kit |
| 58 | 170407 | Brake Yoke | 128 | 173165 | Kit, Expansion Tank |
| 59 | 170408 | Rotor, Brake | 130 | 178802 | Stud Ball |
| 60 | 142883 | Brake Puck | 131 | 178803 | Bracket, Cruise Damper |
| 61 | 142882 | Puck Plate | 132 | 178804 | Hex Nut 5/16-18 NC |
| 62 | 142887 | Brake Actuating Pin | 133 | 178806 | Damper |
| 63 | 170410 | Hfincs 1/4-20x2 W/ Patch, Special Flange | 134 | 178808 | Washer, Helical Spring Lock 5/16 Transaxle Complete |
| 64 | 142892 | Bolt, 1/4-20 X 1 W/Patch | 900 | 173839 | |
| 65 | 170411 | Spacer | | | |
| 66 | 170412 | Spring, Brake Arm Bias | | | |
| 67 | 170413 | Sq. Hd. Bolt 5/16-24-Ribbed | | | |

NOTE: All component dimensions given in U.S. inches
1 Inch = 25.4 mm

TRACTOR -- MODEL NUMBER 917.272244
KOHLER ENGINE-MODEL NUMBER CV624 TYPE NUMBER 65578



**TRACTOR -- MODEL NUMBER 917.272244
KOHLER ENGINE-MODEL NUMBER CV624 TYPE NUMBER 65578**

HEAD/VALVE/BREATHER

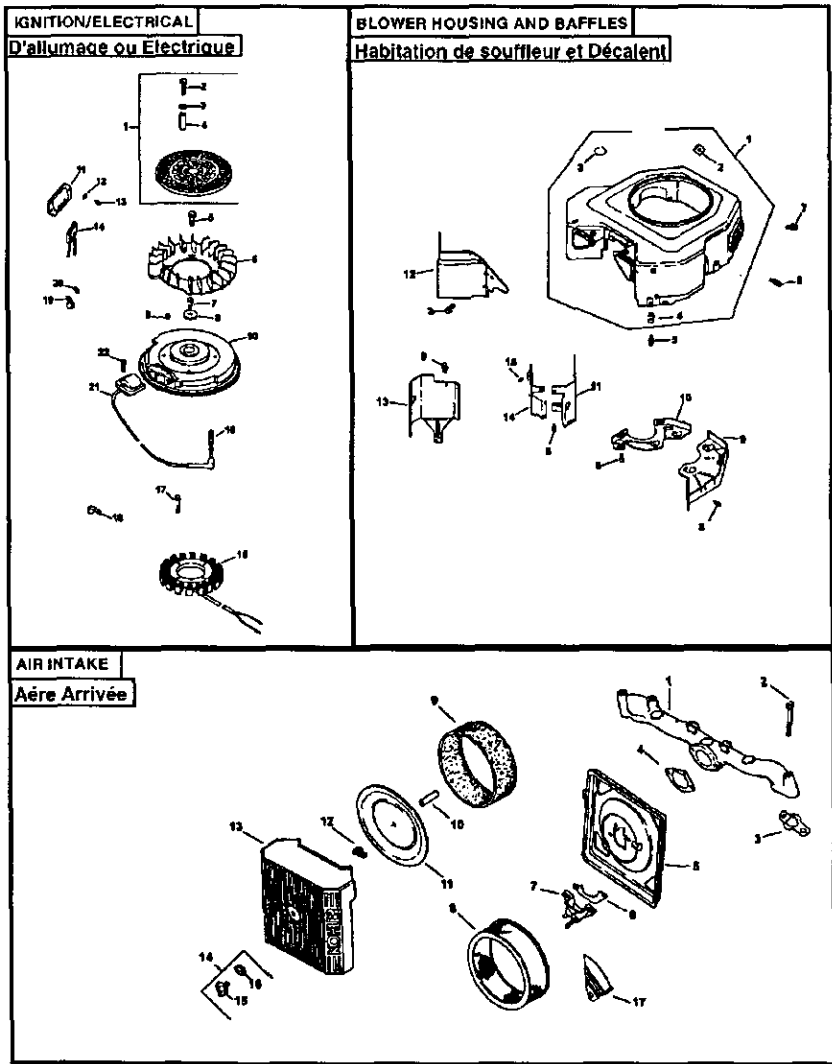
| KEY NO. | PART NO. | DESCRIPTION |
|---------|-------------|--|
| 1 | 24-033-01-S | Kit, breather cover w/gasket (Includes 2-4) |
| 2 | 24-041-23-S | Gasket, breather |
| 3 | 24-096-59-S | Cover, breather |
| 4 | 25-139-60-S | Plug, allen hd. 1/8" |
| 5 | M-645020 | Screw, hex. flange M6x1.0x20 (4) |
| 6 | 25-351-01-S | Lifter, valve (4) |
| 7 | 24-755-66-S | Kit, valve train (Includes 8,11,12) |
| 8 | 24-411-05-S | Rod, push (4) |
| 9 | 24-041-08-S | Gasket, cylinder head (2) |
| 10 | 24-318-12-S | Head assembly, #2 cylinder |
| 11 | 25-186-01-S | Arm, rocker (4) |
| 12 | 24-599-01-S | Pivot, rocker arm (4) |
| 13 | M-640034-S | Screw, hex. flange M6x1.0x34 (4) |
| 14 | 12-086-16-S | Screw, hex. flange M10x1.5x90 (8) |
| 15 | 24-755-74-S | Kit, valve cover - plain (Includes 16,17) |
| 16 | 24-153-16-S | O-Ring |
| 17 | 24-086-32-S | Screw, shoulder (4) |
| 18 | 24-445-01-S | Strap, lifting |
| 19 | 24-016-01-S | Valve, exhaust (Std.) (2) |
| | 24-016-02-S | Valve, exhaust (.25) (2) |
| 20 | 24-017-01-S | Valve, intake (Std.) (2) |
| | 24-017-02-S | Valve, intake (.25) (2) |
| 21 | 24-032-05-S | Seal, valve stem (2) |
| 22 | 235011-S | Retainer, spring (4) |
| 23 | 24-089-02-S | Spring, valve (4) |
| 24 | 12-173-01-S | Cap, valve spring (4) |
| 25 | 12-755-03-S | Kit, retainer (4) |
| 26 | 24-318-11-S | Head assembly, #1 cylinder |
| 27 | 24-755-76-S | Kit, valve cover - breather (Incl. 16,17,28) |
| 28 | 25-313-02-S | Grommet, rubber |
| 29 | 24-755-57-S | Kit, breather separator (Includes 28,30-33) |
| 30 | M-545016-S | Screw, hex. flange M5x0.8x16 (2) |
| 31 | 24-445-02-S | Strap, breather |
| 32 | 24-126-44-S | Bracket, breather separator |
| 33 | 24-112-12-S | Spacer |
| 34 | 24-294-06-S | Fitting |
| 35 | 24-326-13-S | Hose, breather |
| 36 | 24-326-14-S | Hose, breather |
| 37 | 25-237-14-S | Clamp, hose (2) |

CRANKCASE

| KEY NO. | PART NO. | DESCRIPTION |
|---------|-------------|--|
| 1 | 24-032-01-S | Seal, oil front |
| 2 | | Crankcase (USE: Miniblock 24 782 24) |
| 3 | 24-294-13-S | Fitting |
| 4 | 24-380-13-S | Pin, dowel locating (6) |
| 5 | 24-067-13-S | Connecting Rod (Std.) (2) |
| | 24-067-14-S | Connecting Rod (.25) (2) |
| 6 | 24-874-17-S | Piston w/Ring Set (Std.) (2) (Includes 7, 8) |
| | 24-874-18-S | Piston w/Ring Set (.25) (2) |
| | 24-874-19-S | Piston w/Ring Set (.50) (2) |
| | 24-874-14-S | Piston w/ring set (.08) |
| 7 | 24-108-11-S | Ring Set (Std.) (2) |
| | 24-108-12-S | Ring Set (.25) (2) |
| | 24-108-13-S | Ring Set (.50) (2) |
| 8 | 24-018-01-S | Retainer, piston pin (4) |
| 9 | 12-422-09-S | Shim, camshaft (A.R.) |
| | 12-422-13-S | Shim, camshaft (A.R.) |
| | 12-422-07-S | Shim, camshaft (A.R.) |
| | 12-422-08-S | Shim, camshaft (A.R.) |
| | 12-422-10-S | Shim, camshaft |
| | 12-422-11-S | Shim, camshaft (A.R.) |
| | 12-422-12-S | Shim, camshaft (A.R.) |
| 10 | 24-012-10-S | Camshaft |
| 11 | 52-139-09-S | Plug, cup |
| 12 | M-545010-S | Screw, hex. flange M5x0.8x10 (2) |
| 13 | 24-018-04-S | Retainer, reed (2) |
| 14 | 24-402-05-S | Reed, breather (2) |
| 15 | 12-153-01-S | O-Ring, lower oil fill tube |
| 16 | 24-126-19-S | Bracket, oil fill tube |
| 17 | 12-123-04-S | Tube, oil fill |
| 18 | M-545016-S | Screw, hex. flange M5x0.8x16 |
| 19 | 12-153-02-S | O-Ring, upper oil fill tube |
| 20 | 24-038-04-S | Dipstick assembly (Includes 21, 22) |
| 21 | 24-755-46-S | Kit, oil fill cap (Includes 22) |
| 22 | 12-153-03-S | O-Ring, dipstick |
| 23 | 24-018-09-S | Retainer, ring |
| 24 | M-931010-S | Washer, nylon (top) |
| 25 | 28-032-09-S | Seal, governor cross shaft |
| 26 | 24-468-15-S | Washer (bottom) |
| 27 | 24-144-33-S | Shaft, governor cross |

NOTE: All component dimensions given in U.S. inches 1 inch = 25.4 mm

TRACTOR -- MODEL NUMBER 917.272244
KOHLER ENGINE-MODEL NUMBER CV624 TYPE NUMBER 65578



**TRACTOR -- MODEL NUMBER 917.272244
KOHLER ENGINE-MODEL NUMBER CV624 TYPE NUMBER 65578**

IGNITION/CHARGING

| KEY NO. | PART NO. | DESCRIPTION |
|---------|-------------|---|
| 1 | 54-755-15-S | Kit, grass screen (Includes 2-4, and 24 113 18-S) |
| 2 | M-403025-S | Screw, hex. cap M4x0.7x25 (4) |
| 3 | X-25-92-S | Washer, plain 5/16" (4) |
| 4 | 24-112-04-S | Spacer, grass screen (4) |
| 5 | 25-086-47-S | Bolt, shoulder M6 X1.0 X16 S(4) |
| 6 | 24-157-03-S | Fan |
| 7 | 12-086-14-S | Screw, hex. flange M10x1.5x46 |
| 8 | 12-468-03-S | Washer, plain 3/8". |
| 9 | X-42-15-S | Key |
| 10 | 24-025-04-S | Flywheel |
| 11 | 25-403-03-S | Rectifier-regulator |
| 12 | X-25-92-S | Washer, plain 3/16" (2) |
| 13 | 24-086-18-S | Screw, phillips hd. 11-16x7/8 (2) |
| 14 | 236602-S | Connector (3 contact) |
| 15 | 54-755-09-S | Kit, 15 amp stator (Includes 24 126 71-S) |
| 16 | 12-132-06-S | Spark Plug (2) |
| 17 | M-548025-S | Screw, hex. cap M5x0.8x25 (2) |
| 18 | 235173-S | Clip, cable |
| 19 | 48-154-02-S | Clip, cable |
| 20 | X-25-63-S | Washer, plain 1/4" |
| 21 | 24-584-01-S | Module, ignition (2) |
| 22 | M-545020-S | Screw, hex. flange M5x0.8x20 (4) |

NOT ILLUSTRATED

| | | |
|----|-------------|--|
| -- | 24-126-71-S | Bracket, stator wire |
| -- | X-22-11-S | Washer, lock 1/4" |
| -- | 24-176-82-S | Harness, wiring Lead, black (rect.-reg. 5" - 12 gauge) |
| -- | 24-518-12-S | insulated grip barrel eyelets) |
| -- | 24-113-18-S | Decal, grass screen |
| -- | 25-454-03-S | Tie, wire (3) |

BLOWER HOUSING & BAFFLES

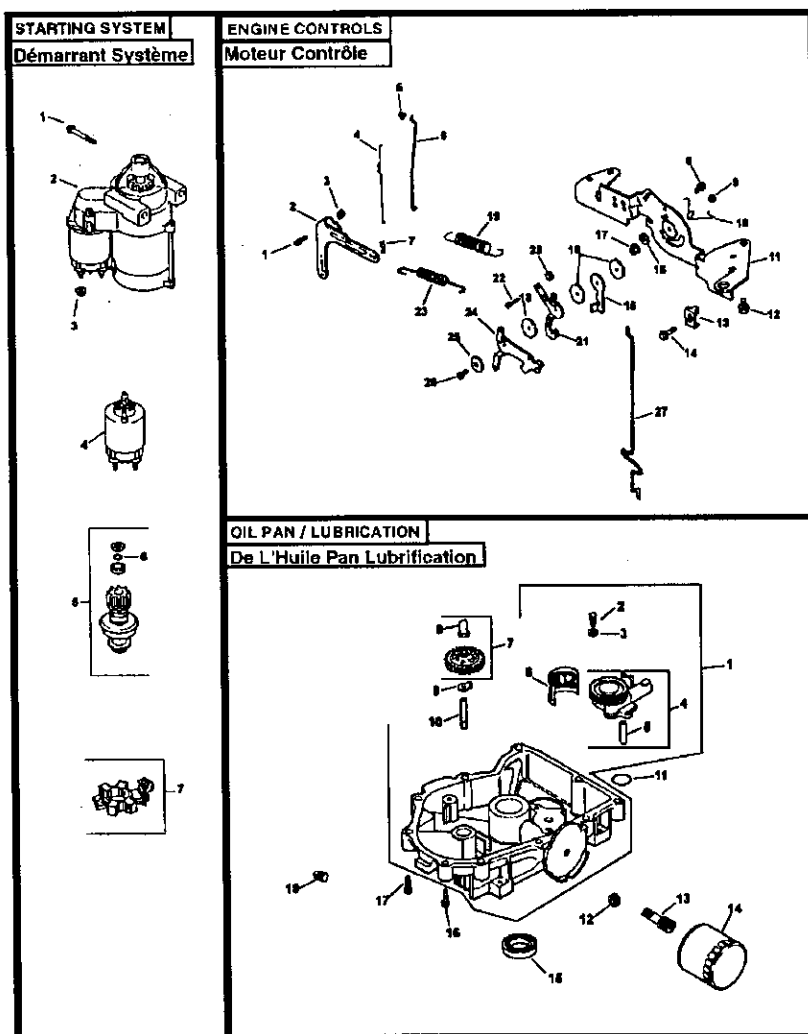
| KEY NO. | PART NO. | DESCRIPTION |
|---------|-------------|----------------------------------|
| 1 | 24-027-20-S | Housing, blower (Incl. 2-4) |
| 2 | 24-100-01-S | Nut plastic (3) |
| 3 | 25-139-16-S | Plug, button 9/16 |
| 4 | 24-100-02-S | Nut, plastic (2) |
| 5 | M-545020-S | Screw, hex. flange M5x0.8x20 (4) |
| 6 | M-545016-S | Screw, hex. flange M5x0.8x16 (3) |
| 7 | M-551016-S | Screw, hex. flange M5x0.8x16 |
| 8 | M-645016-S | Screw, hex. flange M6x1.0x16 (6) |
| 9 | 24-146-16-S | Plate, backing - # 2 side |
| 10 | 24-146-20-S | Plate, backing - # 1 side |
| 11 | 24-063-20-S | Baffle, cylinder barrel-# 2 side |
| 12 | 24-063-14-S | Baffle, valley - #2 side |
| 13 | 24-063-58-S | Baffle, cylinder barrel-# 1 side |
| 14 | 24-063-23-S | Baffle, valley - #1 side |
| 15 | M-545010-S | Screw, hex. flange M5x0.8x10 (2) |

AIR INTAKE/FILTRATION

| KEY NO. | PART NO. | DESCRIPTION |
|---------|-------------|--|
| 1 | 24-164-06-S | Manifold, intake |
| 2 | M-651055-S | Screw, hex. flange M6x1.0x55 (4) |
| 3 | 24-041-01-S | Gasket, intake manifold (2) |
| 4 | 24-041-14-S | Gasket, air cleaner base |
| 5 | 24-094-19-S | Base, air cleaner |
| 6 | 24-041-13-S | Gasket, fuel spitback cup |
| 7 | 24-109-10-S | Cup, fuel spitback |
| 8 | 24-083-02-S | Precleaner, element |
| 9 | 47-083-03-S | Element, air cleaner |
| 10 | 24-032-03-S | Seal, inner air cleaner |
| 11 | 24-096-01-S | Cover, inner air cleaner |
| 12 | 12-100-01-S | Wing Nut |
| 13 | 24-096-67-S | Cover, air cleaner |
| 14 | 54-755-01-S | Kit, knob with seal (Includes 15 & 16) |
| 15 | 24-153-20-S | O-Ring |
| 16 | 25-341-03-S | Knob, cover |
| 17 | 24-063-51-S | Baffle, fuel split-back |

NOTE: All component dimensions given in U.S. inches 1 inch = 25.4 mm

TRACTOR -- MODEL NUMBER 917.272244
KOHLER ENGINE-MODEL NUMBER CV624 TYPE NUMBER 65578



**TRACTOR -- MODEL NUMBER 917.272244
 KOHLER ENGINE-MODEL NUMBER CV624 TYPE NUMBER 65578**

STARTING SYSTEM

| KEY NO. | PART NO. | DESCRIPTION |
|---------|-------------|---|
| 1 | M-839080-S | Screw, hex. flange M8x1.25x80 (2) |
| 2 | 25-098-08-S | Starter, solenoid shift assembly (Includes 4-7) |
| 3 | M-841080-S | Nut, hex. flange |
| 4 | 25-435-04-S | Kit, solenoid |
| 5 | 25-755-33-S | Kit, pinion drive (Includes 6) |
| 6 | 25 141 05-S | Ring |
| 7 | 25-221-01-S | Kit, brush |

OIL PAN/LUBRICATION

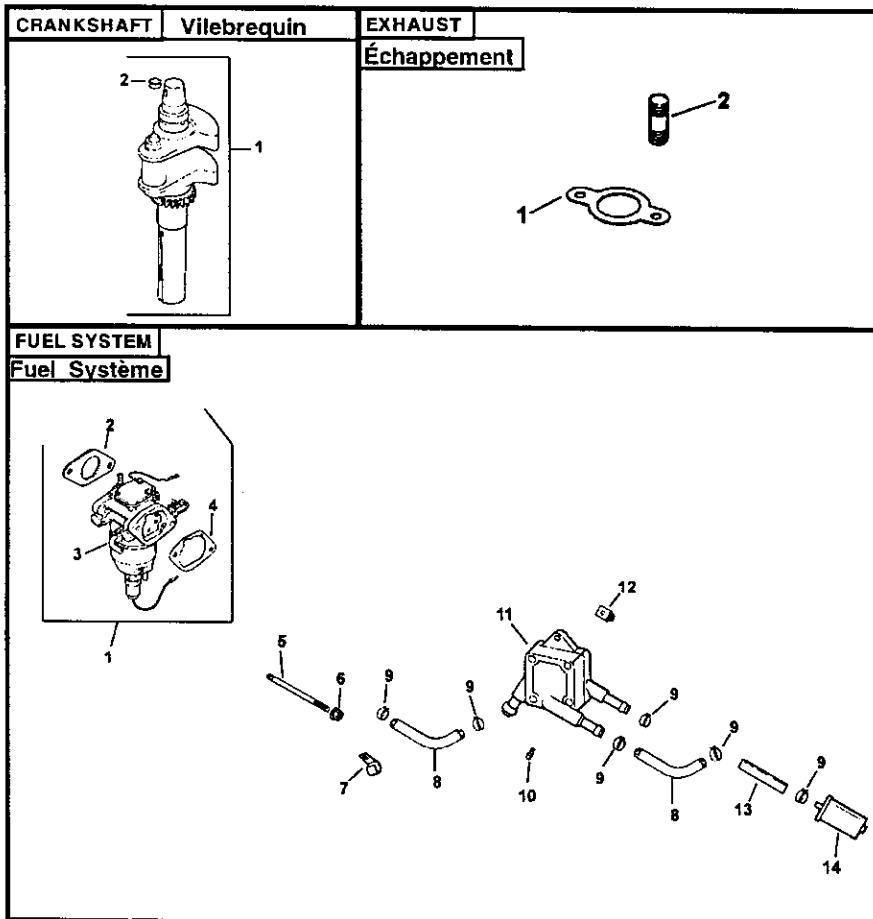
| KEY NO. | PART NO. | DESCRIPTION |
|---------|-------------|---------------------------------------|
| 1 | 24-199-07-S | Pan, oil assembly (Includes 2-10) |
| 2 | M-645025-S | Screw, hex. flange M6x1.0x25 (2) |
| 3 | M-631005-S | Washer, plain 6 mm (2) |
| 4 | 24-393-08-S | Oil pump assembly (Includes 5) |
| 5 | 24-123-05-S | Tube, oil pickup |
| 6 | 24-162-26-S | Screen, oil |
| 7 | 24-043-12-S | Kit, governor gear w/pin (Includes 8) |
| 8 | 12-380-01-S | Pin, governor regulating |
| 9 | 52-448-02-S | Tab, locking |
| 10 | 12-144-02-S | Shaft, governor gear |
| 11 | 24-153-08-S | O-Ring |
| 12 | 25-139-62-S | Plug, hex. ctsk. 3/8" |
| 13 | 24-136-01-S | Nipple, oil filter |
| 14 | 52-050-02-S | Filter, oil |
| 15 | 52-032-08-S | Seal, oil (PTO end) |
| 16 | 24-086-17-S | Screw, hex. flange M8x1.25x45 |
| 17 | 24-086-16-S | Screw, hex. flange M8x1.25x45 (9) |
| 18 | 25-139-57-S | Plug, sq. hd. solid 3/8" N.P.T.F. |

ENGINE CONTROLS

| KEY NO. | PART NO. | DESCRIPTION |
|---------|-------------|----------------------------------|
| 1 | 24-211-03-S | Bolt, round head square neck |
| 2 | 24-090-33-S | Lever, governor |
| 3 | M-641060-S | Nut, hex. flange M6x1.0 |
| 4 | 24-089-01-S | Spring, linkage |
| 5 | 25-158-08-S | Bushing, linkage retaining |
| 6 | 24-079-04-S | Linkage, throttle |
| 7 | 25-158-11-S | Bushing, throttle linkage |
| 8 | M-545016-S | Screw, hex. flange M5x0.8x16 (1) |
| 9 | M-547050-S | Nut, hex. lock M5x0.8 |
| 10 | 24-089-03-S | Spring, choke return |
| 11 | 24-126-56-S | Bracket, control |
| 12 | M-645016-S | Screw, hex. flange M6x1.0x16 (4) |
| 13 | 12-237-01-S | Clamp, cable (2) |
| 14 | 24-086-43-S | Screw, thread forming (2) |
| 15 | 24-090-07-S | Lever, throttle actuator |
| 16 | X-20-1-S | Washer, lock 1/4" |
| 17 | M-541050-S | Nut, hex. flange M5x0.8 |
| 18 | 24-468-01-S | Washer, plain 5.5 mm (3) |
| 19 | 24-089-45-S | Spring, governor |
| 20 | M-446030-S | Nut, hex. M4x0.7 |
| 21 | 24-090-13-S | Lever, throttle control |
| 22 | M-545020-S | Screw, hex. flange M5x0.8x20 |
| 23 | 24-089-51-S | Spring, throttle limiter |
| 24 | 24-090-05-S | Lever, choke |
| 25 | 41-468-03-S | Washer, spring 1/4" |
| 26 | M-403025-S | Screw, hex. cap M4x0.7x25 |
| 27 | 24-079-05-S | Linkage, choke |

NOTE: All component dimensions given in U.S. inches 1 inch = 25.4 mm

TRACTOR -- MODEL NUMBER 917.272244
KOHLER ENGINE-MODEL NUMBER CV624 TYPE NUMBER 65578



**TRACTOR -- MODEL NUMBER 917.272244
 KOHLER ENGINE-MODEL NUMBER CV624 TYPE NUMBER 65578**

CRANKSHAFT

| KEY NO. | PART NO. | DESCRIPTION |
|------------|-------------|-------------------------|
| 1 | 24-014-42-S | Crankshaft (Includes 2) |
| 2 | 52-139-09-S | Plug, cup |

EXHAUST

| KEY NO. | PART NO. | DESCRIPTION |
|------------|-------------|----------------------|
| 1 | 24-041-02-S | Gasket, exhaust (2) |
| 2 | 25-072-04-S | Stud, M8x1.25x33 (4) |

NOT ILLUSTRATED

| | | |
|----|--------------|--------------------|
| -- | PA-65578 | Replacement Engine |
| -- | 24-522-221 | Short Block |
| -- | 24-782-24 | Miniblock |
| -- | 24-755-107-S | Gasket Set |

FUEL SYSTEM

| KEY NO. | PART NO. | DESCRIPTION |
|------------|-------------|--|
| 1 | 24-853-25-S | Kit, carburetor w/gaskets (Includes 2-4) |
| 2 | 24-041-15-S | Gasket, carburetor |
| 3 | 24-053-25 | Carburetor assembly (For information only not available separately) (Service with kits 24-757-18-S, 24-757-19-S, 24-757-20-S, 24-757-22-S) |
| 4 | 24-041-14-S | Gasket, air cleaner base |
| 5 | M-629095-S | Stud, M6x1.0x95 (2) |
| 6 | M-641060-S | Nut, hex. flange M6x1.0 (2) |
| 7 | 47-154-01-S | Clip, cable |
| 8 | 24-353-03-S | Line, fuel 10-5/8" (2) |
| 9 | 25-237-14-S | Clamp, hose (6) |
| 10 | 24-086-12-S | Screw, hex. cap. M6x1.7x18 (2) |
| 11 | 24-393-16-S | Pump, fuel - pulse |
| 12 | 24-100-01-S | Nut, plastic (2) |
| 13 | 15-353-04-S | Line, fuel 11-1/2" |
| 14 | 24-050-02-S | Filter, fuel |

NOT ILLUSTRATED

| | | |
|----|-------------|-------------------------------------|
| -- | 24-757-18-S | Kit, overhaul w/gaskets |
| -- | 24-757-19-S | Kit, choke repair w/gaskets |
| -- | 24-757-20-S | Kit, gasket |
| -- | 24-757-22-S | Kit, solenoid replacement w/gaskets |

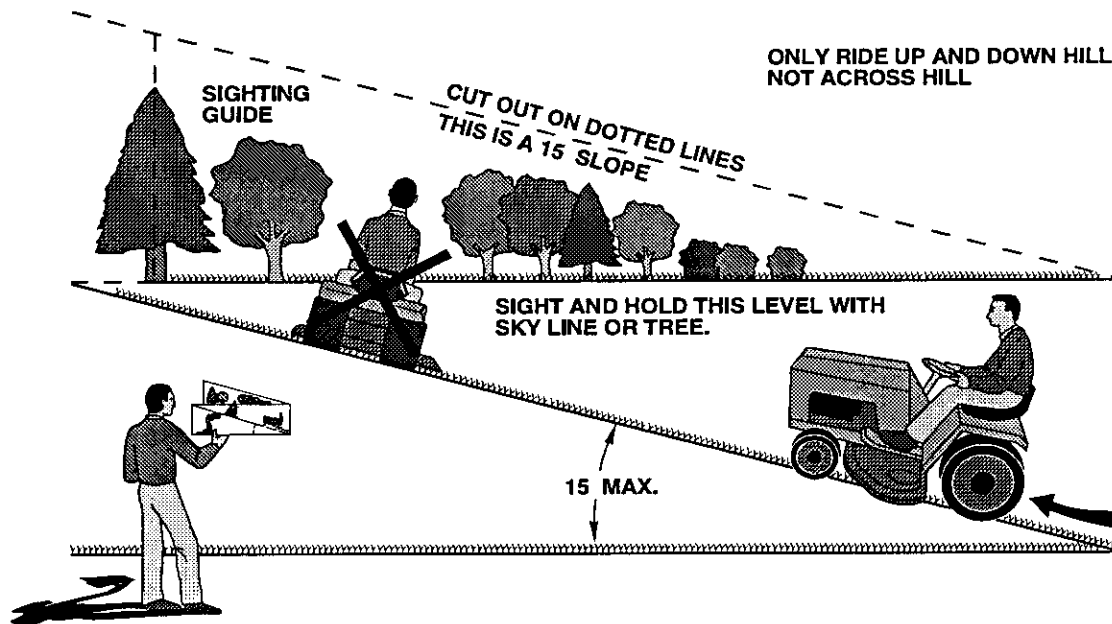
NOTE: All component dimensions given in U.S. inches 1 inch = 25.4 mm

SERVICE NOTES

SERVICE NOTES

SERVICE NOTES

SUGGESTED GUIDE FOR SIGHTING SLOPES FOR SAFE OPERATION



Operate your Tractor up and down the face of slopes (not greater than 15), never across the face. Make turns gradually to prevent tipping or loss of control. Exercise extreme caution when changing direction on slopes.

Get it fixed, at your home or ours!

For repair of major brand appliances **in your own home . . .**
no matter who made it, no matter who sold it!

1-800-4-MY-HOME[®] Anytime, day or night
(1-800-469-4663) (U.S.A. and Canada)
www.sears.com www.sears.ca

For repair of carry-in products like vacuums, lawn equipment, and electronics, call for the nearest **Sears Parts and Repair Center.**

1-800-488-1222 Anytime, day or night (U.S.A. only)
www.sears.com

For the replacement parts, accessories and owner's manuals that you need to do-it-yourself, call **Sears PartsDirectSM!**

1-800-366-PART 6 a.m. – 11 p.m., 7 days a week
(1-800-366-7278) (U.S.A. only)
www.sears.com/partsdirect

To purchase or inquire about a Sears Service Agreement or Sears Maintenance Agreement:

1-800-827-6655 (U.S.A.) **1-800-361-6665** (Canada)
7 a.m. – 5 p.m., CST, Mon. – Sat. 9 a.m. – 8 p.m. EST, M – F, 4 p.m. Sat.

Para pedir servicio de reparación a domicilio, y para ordenar piezas:

1-888-SU-HOGARSM
(1-888-784-6427)

Au Canada pour service en français:

1-800-LE-FOYER^{MC}
(1-800-533-6937)
www.sears.ca



© Sears, Roebuck and Co.

® Registered Trademark / TM Trademark / SM Service Mark of Sears, Roebuck and Co.

® Marca Registrada / TM Marca de Fábrica / SM Marca de Servicio de Sears, Roebuck and Co.

^{MC} Marque de commerce / ^{MD} Marque déposée de Sears, Roebuck and Co.