

Owner's Manual



LAWN TRACTOR

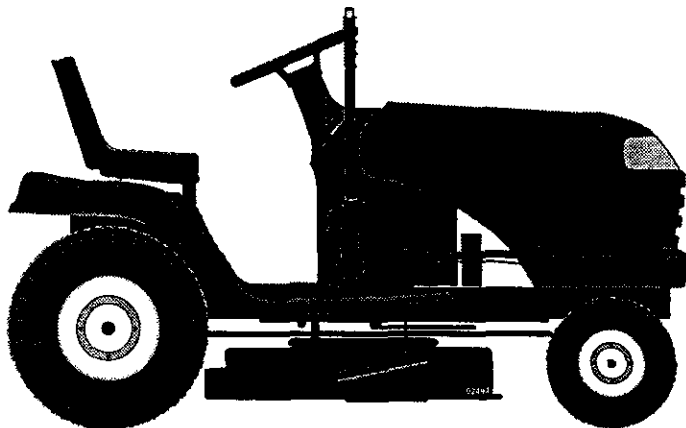
21.5 HP, 42" Mower

Electric Start

6 Speed Transaxle

Model No.

917.272453



This product has a low emission engine which operates differently from previously built engines. Before you start the engine, read and understand this Owner's Manual.

CAUTION:

Read and follow all Safety Rules and Instructions before operating this equipment.

For answers to your questions about this product, Call:

1-800-659-5917

Sears Craftsman Help Line
5 am - 5 pm, Mon - Sat

Sears, Roebuck and Co., Hoffman Estates, IL 60179 U.S.A.

Visit our Craftsman website: www.sears.com/craftsman

TABLE OF CONTENTS

| | | | |
|------------------------------|----|-------------------------------|------------|
| Warranty | 2 | Maintenance | 17 |
| Safety Rules | 3 | Service and Adjustments | 21 |
| Product Specifications | 6 | Storage | 27 |
| Assembly/Pre-Operation | 8 | Troubleshooting | 28 |
| Operation | 11 | Repair Parts | 32 |
| Maintenance Schedule | 17 | Sears Service | Back Cover |

WARRANTY

LIMITED WARRANTY ON CRAFTSMAN RIDING EQUIPMENT

For two (2) years from the date of purchase, if this Craftsman Riding Equipment is maintained, lubricated and tuned up according to the instructions in the owner's manual, Sears will repair or replace free of charge any parts that are found to be defective in material or workmanship according to the guidelines of coverage listed below. Sears will also provide free labor for these applicable warranted parts for the two full years. During the first 30 days of purchase, there will be no charges to service the product at your home for issues covered by this warranty. (See exclusions below). For your convenience, IN HOME warranty service will still be available after the first 30 days of purchase, but a trip charge will apply. This charge will be waived if the Craftsman product is dropped off at an authorized Sears location. For the nearest authorized Sears location, please call 1-800-4-MY-HOME®. This warranty applies only while this product is within the United States.

This Warranty does not cover:

- Expendable items which become worn during normal use, including but not limited to blades, spark plugs, air cleaners, belts, and oil filters.
- Standard Maintenance Servicing, oil changes, or tune-ups
- Tire replacement or repair caused by punctures from outside objects, such as nails, thorns, stumps, or glass.
- Repairs necessary because of operator abuse, including but not limited to, damage caused by towing objects beyond the capability of the riding equipment, impacting objects that bend the frame or crankshaft, or over-speeding the engine.
- Repairs necessary because of operator negligence, including but not limited to, electrical and mechanical damage caused by improper storage, failure to use the proper grade and amount of engine oil, failure to keep the deck clear of flammable debris, or failure to maintain the equipment according to the instructions contained in the owner's manual.
- Engine (fuel system) cleaning or repairs caused by fuel determined to be contaminated or oxidized (stale). In general, fuel should be used within 30 days of its purchase date.
- Normal deterioration and wear of the exterior finishes, or product label replacement.
- Riding equipment used for commercial or rental purposes.

LIMITED WARRANTY ON BATTERY

For ninety (90) days from date of purchase, if any battery included with this riding equipment proves defective in material or workmanship and our testing determines the battery will not hold a charge, Sears will replace the battery at no charge. During the first 30 days of purchase, there will be no charges to replace the battery at your HOME. After the first 30 days, for your convenience, IN-HOME warranty service will still be available but a trip charge will apply. This charge will be waived if the Craftsman product is dropped off at an authorized Sears location. For the nearest authorized Sears location, please call 1-800-4-MY-HOME®.


This battery warranty applies only while this product is within the United States.


This warranty gives you specific legal rights, and you may also have other rights, which vary, from state to state.


Sears, Roebuck and Co., Dept. 817WA, Hoffman Estates, IL 60179


SAFETY RULES


IMPORTANT: This cutting machine is capable of amputating hands and feet and throwing objects. Failure to observe the following safety instructions could result in serious injury or death.


 Look for this symbol to point out important safety precautions. It means **CAUTION!!! BECOME ALERT!!! YOUR SAFETY IS INVOLVED.**

 **CAUTION:** In order to prevent accidental starting when setting up, transporting, adjusting or making repairs, always disconnect spark plug wire and place wire where it cannot contact spark plug.

 **CAUTION:** Do not coast down a hill in neutral, you may lose control of the tractor.

 **CAUTION:** Tow only the attachments that are recommended by and comply with specifications of the manufacturer of your tractor. Use common sense when towing. Operate only at the lowest possible speed when on a slope. Too heavy of a load, while on a slope, is dangerous. Tires can lose traction with the ground and cause you to lose control of your tractor.

 **WARNING:** Engine exhaust, some of its constituents, and certain vehicle components contain or emit chemicals known to the State of California to cause cancer and birth defects or other reproductive harm.

 **WARNING:** Battery posts, terminals and related accessories contain lead and lead compounds, chemicals known to the State of California to cause cancer and birth defects or other reproductive harm. **Wash hands after handling.**

I. GENERAL OPERATION

- Read, understand, and follow all instructions in the manual and on the machine before starting.
- Only allow responsible adults, who are familiar with the instructions, to operate the machine.
- Clear the area of objects such as rocks, toys, wire, etc., which could be picked up and thrown by the blade.

- Be sure the area is clear of other people before mowing. Stop machine if anyone enters the area.
- Never carry passengers.
- Do not mow in reverse unless absolutely necessary. Always look down and behind before and while backing.
- Be aware of the mower discharge direction and do not point it at anyone. Do not operate the mower without either the entire grass catcher or the guard in place.
- Slow down before turning.
- Never leave a running machine unattended. Always turn off blades, set parking brake, stop engine, and remove keys before dismounting.
- Turn off blades when not mowing.
- Stop engine before removing grass catcher or unclogging chute.
- Mow only in daylight or good artificial light.
- Do not operate the machine while under the influence of alcohol or drugs.
- Watch for traffic when operating near or crossing roadways.
- Use extra care when loading or unloading the machine into a trailer or truck.
- Data indicates that operators, age 60 years and above, are involved in a large percentage of riding mower-related injuries. These operators should evaluate their ability to operate the riding mower safely enough to protect themselves and others from serious injury.
- Keep machine free of grass, leaves or other debris build-up which can touch hot exhaust / engine parts and burn. Do not allow the mower deck to plow leaves or other debris which can cause build-up to occur. Clean any oil or fuel spillage before operating or storing the machine. Allow machine to cool before storage.

II. SLOPE OPERATION

Slopes are a major factor related to loss-of-control and tipover accidents, which can result in severe injury or death. All slopes require extra caution. If you cannot back up the slope or if you feel uneasy on it, do not mow it.

SAFETY RULES

DO:

- Mow up and down slopes, not across.
- Remove obstacles such as rocks, tree limbs, etc.
- Watch for holes, ruts, or bumps. Uneven terrain could overturn the machine. *Tall grass can hide obstacles.*
- Use slow speed. Choose a low gear so that you will not have to stop or shift while on the slope.
- Follow the manufacturer's recommendations for wheel weights or counterweights to improve stability.
- Use extra care with grass catchers or other attachments. These can change the stability of the machine.
- Keep all movement on the slopes *slow* and *gradual*. Do not make sudden changes in speed or direction.
- Avoid starting or stopping on a slope. If tires lose traction, disengage the blades and proceed slowly *straight* down the slope.

DO NOT:

- *Do not* turn on slopes unless necessary, and then, turn slowly and gradually downhill, if possible.
- *Do not* mow near drop-offs, ditches, or embankments. The mower could suddenly turn over if a wheel is over the edge of a cliff or ditch, or if an edge caves in.
- *Do not* mow on wet grass. Reduced traction could cause sliding.
- *Do not* try to stabilize the machine by putting your foot on the ground.
- *Do not* use grass catcher on steep slopes.

III. CHILDREN

Tragic accidents can occur if the operator is not alert to the presence of children. Children are often attracted to the machine and the mowing activity. *Never* assume that children will remain where you last saw them.

- Keep children out of the mowing area and under the watchful care of another responsible adult.
- Be alert and turn machine off if children enter the area.
- Before and when backing, look behind and *down* for small children.

- Never carry children. They may fall off and be seriously injured or interfere with safe machine operation.
- Never allow children to operate the machine.
- Use extra care when approaching blind corners, shrubs, trees, or other objects that may obscure vision.

IV. SERVICE

- Use extra care in handling gasoline and other fuels. They are flammable and vapors are explosive.
 - Use only an approved container.
 - Never remove gas cap or add fuel with the engine running. Allow engine to cool before refueling. Do not smoke.
 - Never refuel the machine indoors.
 - Never store the machine or fuel container inside where there is an open flame, such as a water heater.
- Never run a machine inside a closed area.
- Keep nuts and bolts, especially blade attachment bolts, tight and keep equipment in good condition.
- Never tamper with safety devices. Check their proper operation regularly.
- Keep machine free of grass, leaves, or other debris build-up. Clean oil or fuel spillage. Allow machine to cool before storing.
- Stop and inspect the equipment if you strike an object. Repair, if necessary, before restarting.
- Never make adjustments or repairs with the engine running.
- Grass catcher components are subject to wear, damage, and deterioration, which could expose moving parts or allow objects to be thrown. Frequently check components and replace with manufacturer's recommended parts, when necessary.
- Mower blades are sharp and can cut. Wrap the blade(s) or wear gloves, and use extra caution when servicing them.
- Check brake operation frequently. Adjust and service as required.

SAFETY RULES



- Be sure the area is clear of other people before mowing. Stop machine if anyone enters the area.
- Never carry passengers or children even with the blades off.
- Do not mow in reverse unless absolutely necessary. Always look down and behind before and while backing.
- Never carry children. They may fall off and be seriously injured or interfere with safe machine operation.
- Keep children out of the mowing area and under the watchful care of another responsible adult.
- Be alert and turn machine off if children enter the area.
- Before and when backing, look behind and down for small children.
- Mow up and down slopes (15° Max), not across.
- Remove obstacles such as rocks, tree limbs, etc.
- Watch for holes, ruts, or bumps. Uneven terrain could overturn the machine. Tall grass can hide obstacles.
- Use slow speed. Choose a low gear so that you will not have to stop or shift while on the slope.
- Avoid starting or stopping on a slope. If tires lose traction, disengage the blades and proceed slowly straight down the slope.
- If machine stops while going uphill, disengage blades, shift into reverse and back down slowly.
- Do not turn on slopes unless necessary, and then, turn slowly and gradually downhill, if possible.

PRODUCT SPECIFICATIONS

| | | | | | | | | | | | | | | | | | | | | | | |
|-----------------------------|--|----------|--------|-----------|--------|------------|-----|--|-----|-----|--|-----|-----|--|-----|-----|--|-----|-----|----------|--|-----|
| Gasoline Capacity and Type: | 3.5 Unleaded and Regular | | | | | | | | | | | | | | | | | | | | | |
| Oil Type (API-SF-SJ): | SAE 30 (above 32°F) SAE 5W-30 (below 32°F) | | | | | | | | | | | | | | | | | | | | | |
| Oil Capacity: | 4.0 Pints | | | | | | | | | | | | | | | | | | | | | |
| Spark Plug: (Gap: .030") | Champion RC12YC | | | | | | | | | | | | | | | | | | | | | |
| Ground Speed (MPH): | <table> <tr> <td>Forward:</td> <td>1st</td> <td>1.2</td> </tr> <tr> <td></td> <td>2nd</td> <td>1.5</td> </tr> <tr> <td></td> <td>3rd</td> <td>2.4</td> </tr> <tr> <td></td> <td>4th</td> <td>3.5</td> </tr> <tr> <td></td> <td>5th</td> <td>4.8</td> </tr> <tr> <td></td> <td>6th</td> <td>5.3</td> </tr> <tr> <td>Reverse:</td> <td></td> <td>1.5</td> </tr> </table> | Forward: | 1st | 1.2 | | 2nd | 1.5 | | 3rd | 2.4 | | 4th | 3.5 | | 5th | 4.8 | | 6th | 5.3 | Reverse: | | 1.5 |
| Forward: | 1st | 1.2 | | | | | | | | | | | | | | | | | | | | |
| | 2nd | 1.5 | | | | | | | | | | | | | | | | | | | | |
| | 3rd | 2.4 | | | | | | | | | | | | | | | | | | | | |
| | 4th | 3.5 | | | | | | | | | | | | | | | | | | | | |
| | 5th | 4.8 | | | | | | | | | | | | | | | | | | | | |
| | 6th | 5.3 | | | | | | | | | | | | | | | | | | | | |
| Reverse: | | 1.5 | | | | | | | | | | | | | | | | | | | | |
| Tire Pressure: | <table> <tr> <td>Front:</td> <td>14 PSI</td> </tr> <tr> <td>Rear:</td> <td>10 PSI</td> </tr> </table> | Front: | 14 PSI | Rear: | 10 PSI | | | | | | | | | | | | | | | | | |
| Front: | 14 PSI | | | | | | | | | | | | | | | | | | | | | |
| Rear: | 10 PSI | | | | | | | | | | | | | | | | | | | | | |
| Charging System: | 16 Amps @ 3600RPM | | | | | | | | | | | | | | | | | | | | | |
| Battery: | <table> <tr> <td>Amp/Hr:</td> <td>28</td> </tr> <tr> <td>Min. CCA:</td> <td>230</td> </tr> <tr> <td>Case Size:</td> <td>U1R</td> </tr> </table> | Amp/Hr: | 28 | Min. CCA: | 230 | Case Size: | U1R | | | | | | | | | | | | | | | |
| Amp/Hr: | 28 | | | | | | | | | | | | | | | | | | | | | |
| Min. CCA: | 230 | | | | | | | | | | | | | | | | | | | | | |
| Case Size: | U1R | | | | | | | | | | | | | | | | | | | | | |
| Blade Bolt Torque: | 27-35 Ft. Lbs. | | | | | | | | | | | | | | | | | | | | | |

CONGRATULATIONS on your purchase of a new tractor. It has been designed, engineered and manufactured to give you the best possible dependability and performance.

Should you experience any problem you cannot easily remedy, please contact a Sears or other qualified service center. We have competent, well-trained technicians and the proper tools to service or repair this tractor.

Please read and retain this manual. The instructions will enable you to assemble and maintain your tractor properly. Always observe the "SAFETY RULES".

REPAIR AGREEMENT

A Repair Agreement is available on this product. Contact your nearest Sears store for details.

CUSTOMER RESPONSIBILITIES

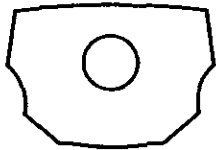
- Read and observe the safety rules.
- Follow a regular schedule in maintaining, caring for and using your tractor.
- Follow the instructions under "Maintenance" and "Storage" sections of this owner's manual.

⚠WARNING: This tractor is equipped with an internal combustion engine and should not be used on or near any unimproved forest-covered, brush-covered or grass-covered land unless the engine's exhaust system is equipped with a spark arrester meeting applicable local or state laws (if any). If a spark arrester is used, it should be maintained in effective working order by the operator.

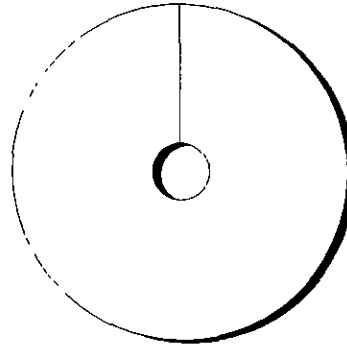
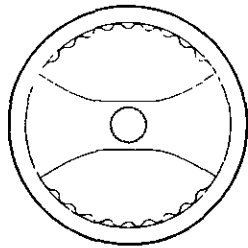
In the state of California the above is required by law (Section 4442 of the California Public Resources Code). Other states may have similar laws. Federal laws apply on federal lands. A spark arrester for the muffler is available through your nearest Sears service center (See REPAIR PARTS section of this manual).

UNASSEMBLED PARTS

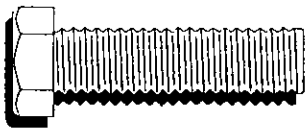
Steering Wheel



Steering Wheel Insert



(1) Large Flat Washer



(1) Hex Bolt 1/4-28 x 1-1/4



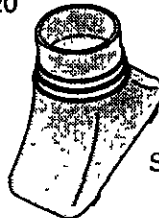
(1) Locknut 1/2-20



(1) Locknut 1/4-28



Steering Wheel Adapter

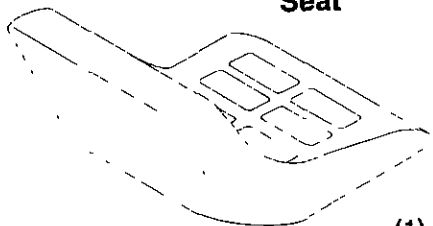


Steering Boot

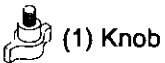


Steering Extension Shaft

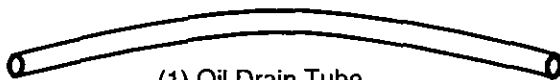
Seat



(1) Washer
17/32 x 1-3/16 x 12 Gauge

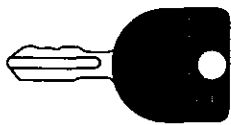


(1) Knob



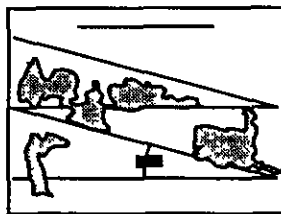
(1) Oil Drain Tube
For Future Use

Keys

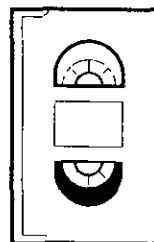


(2) Keys

Slope Sheet



Video Cassette



ASSEMBLY/PRE-OPERATION

Your new tractor has been assembled at the factory with the exception of those parts left unassembled for shipping purposes. To ensure safe and proper operation of your tractor all parts and hardware you assemble must be tightened securely. Use the correct tools as necessary to insure proper tightness. Review the video cassette before you begin.

TOOLS REQUIRED FOR ASSEMBLY

A socket wrench set will make assembly easier. Standard wrench sizes you need are listed below.

- (1) 3/4" wrench (1) Pliers
- (2) 7/16" wrench (1) Utilityknife
- (1) Tire pressure gauge

When right or left hand is mentioned in this manual, it means when you are in the operating position (seated behind the steering wheel).

TO REMOVE TRACTOR FROM CARTON

UNPACK CARTON

1. Remove all accessible loose parts and parts boxes from carton.
2. Cut, from top to bottom, along lines on all four corners of carton, and lay panels flat.
3. Check for any additional loose parts or cartons and remove.

BEFORE REMOVING TRACTOR FROM SKID

ATTACH STEERING WHEEL

ASSEMBLE EXTENSION SHAFT AND BOOT

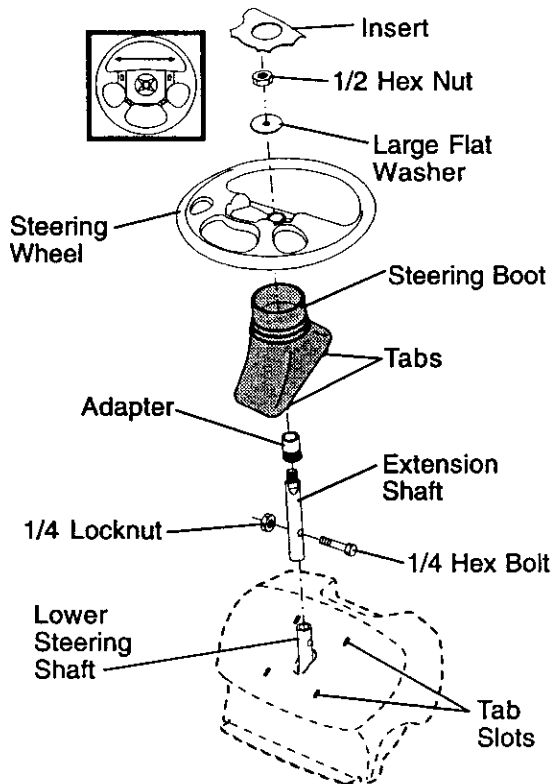
1. Slide extension shaft onto lower steering shaft. Align mounting holes in extension and lower shafts and install 1/4 hex bolt and locknut. Tighten securely.

IMPORTANT: Tighten bolt and nut securely to 10-12 ft. lbs torque.

2. Place tabs of steering boot over tab slots in dash and push down to secure.

INSTALL STEERING WHEEL

3. Position front wheels of the tractor so they are pointing straight forward.
4. Remove steering wheel adapter from steering wheel and slide adapter onto steering shaft extension.
5. Position steering wheel so cross bars are horizontal (left to right) and slide inside boot and onto adapter.
6. Assemble large flat washer, 1/2 hex nut and tighten securely.



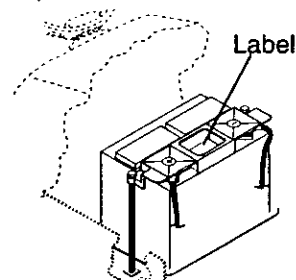
7. Snap steering wheel insert into center of steering wheel.
8. Remove protective materials from tractor hood and grill.

IMPORTANT: Check for and remove any staples in skid that may puncture tires where tractor is to roll off skid.

CHECK BATTERY

1. Lift hood to raised position.

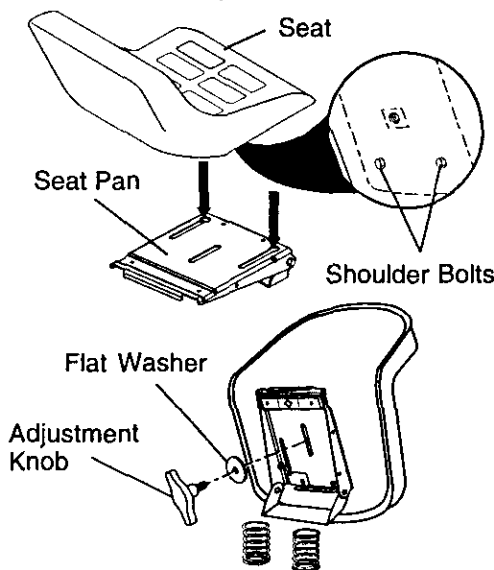
NOTE: If this battery is put into service after month and year indicated on label (label located between terminals) charge battery for minimum of one hour at 6-10 amps. (See "BATTERY" in Maintenance section of this manual for charging instructions).



INSTALL SEAT

Adjust seat before tightening adjustment knob.

1. Remove adjustment knob and flat washer securing seat to cardboard packing and set aside for assembly of seat to tractor.
2. Pivot seat upward and remove from the cardboard packing. Remove the cardboard packing and discard.
3. Place seat on seat pan so head of shoulder bolts are positioned over the large slotted holes in pan.
4. Push down on seat to engage shoulder bolts in slots and pull seat towards rear of tractor.
5. Pivot seat and pan forward and assemble adjustment knob and flat washer loosely. Do not tighten.
6. Lower seat into operating position and sit in seat.
7. Slide seat until a comfortable position is reached which allows you to press clutch/brake pedal all the way down.
8. Get off seat without moving its adjusted position.
9. Raise seat and tighten adjustment knob securely.



NOTE: You may now roll or drive your tractor off the skid. Follow the appropriate instruction below to remove the tractor from the skid.

TO ROLL TRACTOR OFF SKID (See Operation section for location and function of controls)

1. Press lift lever plunger and raise attachment lift lever to its highest position.
2. Release parking brake by depressing clutch/brake pedal.
3. Place gearshift lever in neutral (N) position.
4. Roll tractor forward off skid.
5. Remove banding holding deflector shield up against tractor.

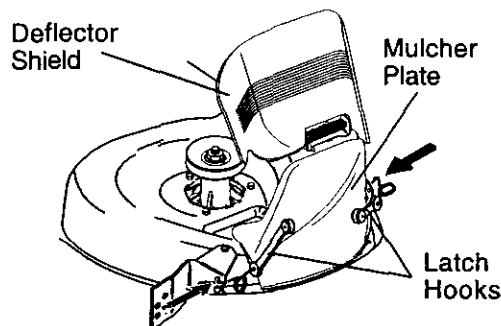
TO DRIVE TRACTOR OFF SKID (See Operation section for location and function of controls)

⚠WARNING: Before starting, read, understand and follow all instructions in the Operation section of this manual. Be sure tractor is in a well-ventilated area. Be sure the area in front of tractor is clear of other people and objects.

1. Be sure all the above assembly steps have been completed.
2. Check engine oil level and fill fuel tank with gasoline.
3. Sit on seat in operating position, depress clutch/brake pedal and set the parking brake.
4. Place gear shift lever in neutral (N) position.
5. Press lift lever plunger and raise attachment lift lever to its highest position.
6. Start the engine. After engine has started, move throttle control to idle position.
7. Depress clutch/brake pedal into full "BRAKE" position and hold. Move gearshift lever to 1st gear.
8. Slowly release clutch/brake pedal and slowly drive tractor off skid.
9. Apply brake to stop tractor, set parking brake and place gearshift lever in neutral position.
10. Turn ignition key to "STOP" position. Continue with the instructions that follow.

INSTALL MULCHER PLATE (If previously removed)

1. Raise and hold deflector shield in upright position.
2. Place front of mulcher plate over front of mower deck opening and slide into place, as shown.
3. Hook front latch into hole on front of mower deck.
4. Hook rear latch into hole on back of mower deck.



CAUTION: Do not remove deflector shield from mower. Raise and hold shield when attaching mulcher plate and allow it to rest on plate while in operation.

TO CONVERT TO BAGGING OR DISCHARGING

Simply remove mulcher plate and store in a safe place. Your mower is now ready for discharging or installation of optional grass catcher accessory.

NOTE: It is not necessary to change blades. The mulcher blades are designed for discharging and bagging also.

CHECK TIRE PRESSURE

The tires on your tractor were overinflated at the factory for shipping purposes. Correct tire pressure is important for best cutting performance.

- Reduce tire pressure to PSI shown in "PRODUCT SPECIFICATIONS" section of this manual.

CHECK DECK LEVELNESS

For best cutting results, mower housing should be properly leveled. See "TO LEVEL MOWER HOUSING" in the Service and Adjustments section of this manual.

CHECK FOR PROPER POSITION OF ALL BELTS

See the figures that are shown for replacing motion and mower blade drive belts in the Service and Adjustments section of this manual. Verify that the belts are routed correctly.

CHECK BRAKE SYSTEM

After you learn how to operate your tractor, check to see that the brake is properly adjusted. See "TO ADJUST BRAKE" in the Service and Adjustments section of this manual.

✓ CHECKLIST

Before you operate and enjoy your new tractor, we wish to assure that you receive the best performance and satisfaction from this Quality Product.

Please review the following checklist:

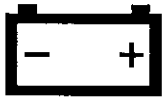
- ✓ All assembly instructions have been completed.
- ✓ No remaining loose parts in carton.
- ✓ Battery is properly prepared and charged. (Minimum 1 hour at 6 amps).
- ✓ Seat is adjusted comfortably and tightened securely.
- ✓ All tires are properly inflated. (For shipping purposes, the tires were overinflated at the factory).
- ✓ Be sure mower deck is properly leveled side-to-side/front-to-rear for best cutting results. (Tires must be properly inflated for leveling).
- ✓ Check mower and drive belts. Be sure they are routed properly around pulleys and inside all belt keepers.
- ✓ Check wiring. See that all connections are still secure and wires are properly clamped.

While learning how to use your tractor, pay extra attention to the following important items:

- ✓ Engine oil is at proper level.
- ✓ Fuel tank is filled with fresh, clean, regular unleaded gasoline.
- ✓ Become familiar with all controls - their location and function. Operate them before you start the engine.
- ✓ Be sure brake system is in safe operating condition.

OPERATION

These symbols may appear on your tractor or in literature supplied with the product. Learn and understand their meaning.



BATTERY



CAUTION OR WARNING



REVERSE



FORWARD



FAST



SLOW



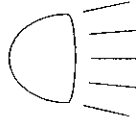
ENGINE ON



ENGINE OFF



OIL PRESSURE



LIGHTS ON



OVER TEMP LIGHT



MOWER LIFT



FUEL



CHOKE



MOWER HEIGHT



PARKING BRAKE LOCKED



UNLOCKED



ATTACHMENT CLUTCH ENGAGED



REVERSE



NEUTRAL



HIGH



LOW



PARKING BRAKE



IGNITION



ATTACHMENT CLUTCH DISENGAGED



KEEP AREA CLEAR

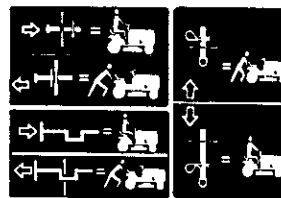


SLOPE HAZARDS

(SEE SAFETY RULES SECTION)



DANGER, KEEP HANDS AND FEET AWAY

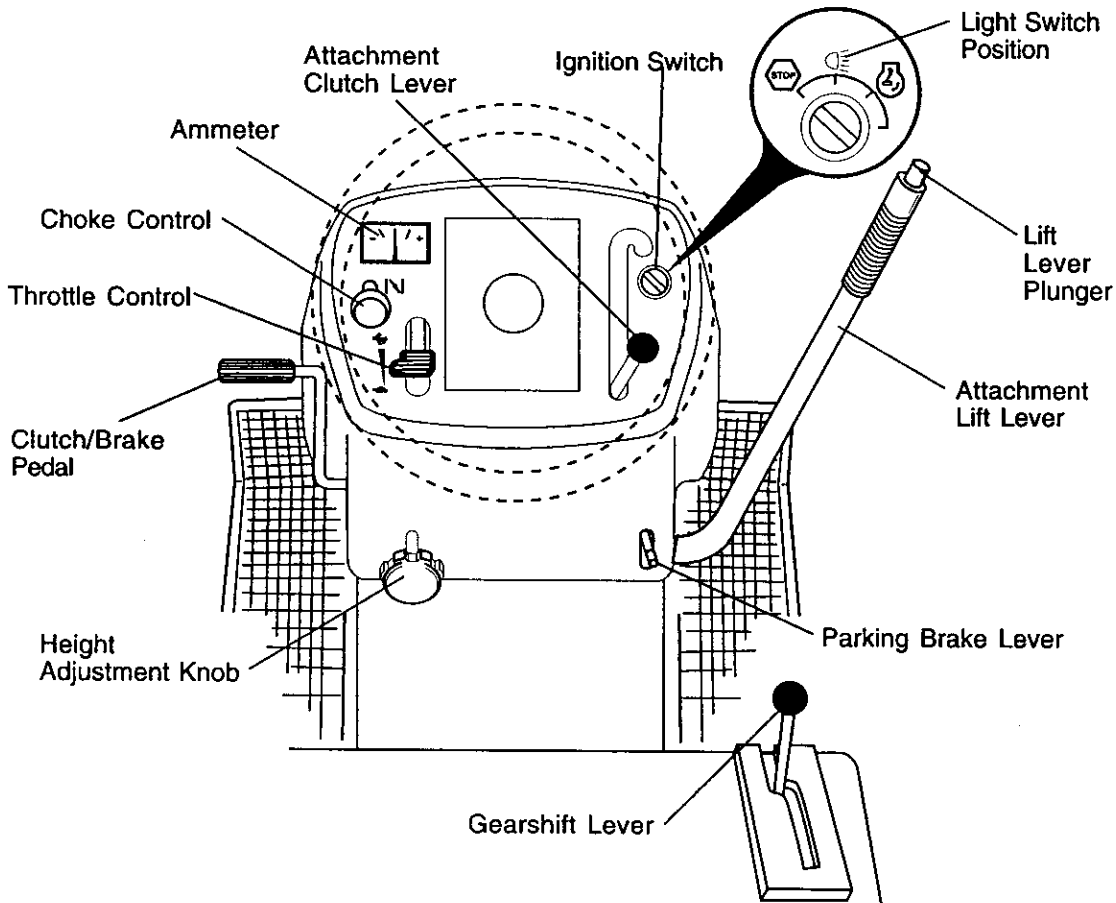


FREE WHEEL
(Automatic Models only)

KNOW YOUR TRACTOR

READ THIS OWNER'S MANUAL AND SAFETY RULES BEFORE OPERATING YOUR TRACTOR

Compare the illustrations with your tractor to familiarize yourself with the locations of various controls and adjustments. Save this manual for future reference.



Our tractors conform to the safety standards of the American National Standards Institute.

AMMETER - Indicates charging (+) or discharging (-) of battery.

ATTACHMENT CLUTCH LEVER - Used to engage the mower blades, or other attachments mounted to your tractor.

ATTACHMENT LIFT LEVER - Used to raise, lower, and adjust the mower deck or other attachments mounted to your tractor.

CLUTCH/BRAKE PEDAL - Used for declutching and braking the tractor and starting the engine.

GEARSHIFT LEVER - Selects the speed and direction of tractor.

IGNITION SWITCH - Used for starting and stopping the engine.

LIFT LEVER PLUNGER - Used to release attachment lift lever when changing its position.

LIGHT SWITCH POSITION - Turns the headlights on and off.

PARKING BRAKE LEVER - Locks clutch/brake pedal into the brake position.

THROTTLE CONTROL - Used for starting and controlling engine speed.

HEIGHT ADJUSTMENT KNOB - Used to adjust the mower cutting height.

CHOKE CONTROL - Used when starting a cold engine.

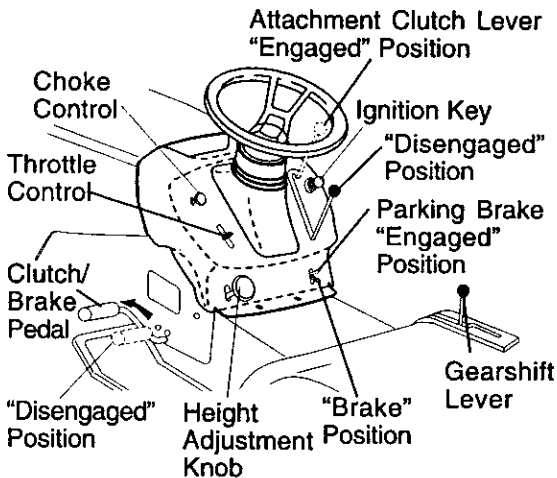


The operation of any tractor can result in foreign objects thrown into the eyes, which can result in severe eye damage. Always wear safety glasses or eye shields while operating your tractor or performing any adjustments or repairs. We recommend a wide vision safety mask over spectacles or standard safety glasses.

HOW TO USE YOUR TRACTOR TO SET PARKING BRAKE

Your tractor is equipped with an operator presence sensing switch. When engine is running, any attempt by the operator to leave the seat without first setting the parking brake will shut off the engine.

1. Depress clutch/brake pedal all the way down and hold.
2. Pull parking brake lever up and release pressure from clutch/brake pedal. Pedal should remain in brake position. Make sure parking brake will hold tractor secure.



STOPPING

MOWER BLADES -

- To stop mower blades, move attachment clutch lever to "DISENGAGED" position.

GROUND DRIVE -

- To stop ground drive, depress clutch/brake pedal all the way down.
- Move gearshift lever to neutral (N) position.

ENGINE -

- Move throttle control to slow position.
- NOTE:** Failure to move throttle control to slow position and allowing engine to idle before stopping may cause engine to "backfire".
- Turn ignition key to "STOP" position and remove key. Always remove key when leaving tractor to prevent unauthorized use.
 - Never use choke to stop engine.

IMPORTANT: Leaving the ignition switch in any position other than "STOP" will cause the battery to discharge and go dead.

NOTE: Under certain conditions when tractor is standing idle with the engine running, hot engine exhaust gases may cause "browning" of grass. To eliminate this possibility, always stop engine when stopping tractor on grass areas.

CAUTION: Always stop tractor completely, as described above, before leaving the operator's position.

TO USE THROTTLE CONTROL

Always operate engine at full throttle.

- Operating engine at less than full throttle reduces the battery charging rate.
- Full throttle offers the best bagging and mower performance.

TO USE CHOKE CONTROL

Use choke control whenever you are starting a cold engine. Do not use to start a warm engine.

- To engage choke control, pull knob out. Slowly push knob in to disengage.

TO MOVE FORWARD AND BACKWARD

The direction and speed of movement is controlled by the gearshift lever.

1. Start tractor with clutch/brake pedal depressed and gearshift lever in neutral (N) position.
2. Move gearshift lever to desired position.
3. Slowly release clutch/brake pedal to start movement.

IMPORTANT: Bring tractor to a complete stop before shifting or changing gears. Failure to do so will shorten the useful life of your transaxle.

TO ADJUST MOWER CUTTING HEIGHT

The cutting height is controlled by turning the height adjustment knob in desired direction.

- Turn knob clockwise (↻) to raise cutting height.
- Turn knob counterclockwise (↺) to lower cutting height.

The cutting height range is approximately 1-1/2" to 4". The heights are measured from the ground to the blade tip with the engine not running. These heights are approximate and may vary depending upon soil conditions, height of grass and types of grass being mowed.

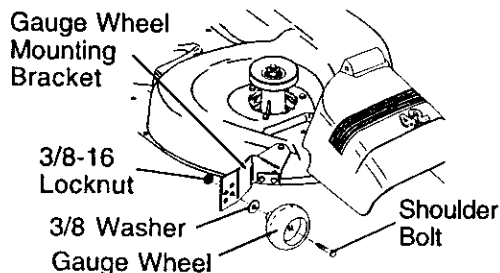
- The average lawn should be cut to approximately 2-1/2 inches during the cool season and to over 3 inches during hot months. For healthier and better looking lawns, mow often and after moderate growth.
- For best cutting performance, grass over 6 inches in height should be mowed twice. Make the first cut relatively high; the second to desired height.

TO ADJUST GAUGE WHEELS

Gauge wheels are properly adjusted when they are slightly off the ground when mower is at the desired cutting height in operating position. Gauge wheels then keep the deck in proper position to help prevent scalping in most terrain conditions.

NOTE: Adjust gauge wheels with tractor on a flat level surface.

1. Adjust mower to desired cutting height (See "TO ADJUST MOWER CUTTING HEIGHT" in this section of manual).
2. With mower in desired height of cut position, gauge wheels should be assembled so they are slightly off the ground. Install gauge wheel in appropriate hole with shoulder bolt, 3/8 washer, and 3/8-16 locknut and tighten securely.
3. Repeat for opposite side, installing gauge wheel in same adjustment hole.



TO OPERATE MOWER

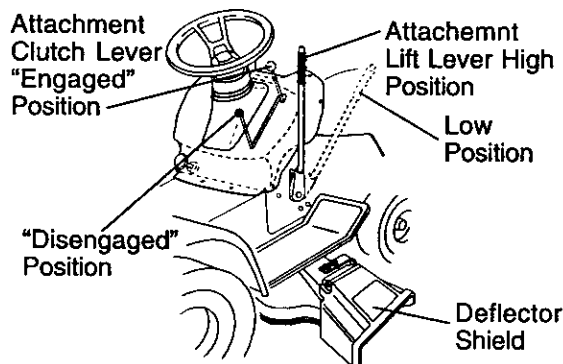
Your tractor is equipped with an operator presence sensing switch. Any attempt by the operator to leave the seat with the engine running and the attachment clutch engaged will shut off the engine.

1. Select desired height of cut.

2. Lower mower with attachment lift control.
3. Start mower blades by engaging attachment clutch control.

TO STOP MOWER BLADES - disengage attachment clutch control.

CAUTION: Do not operate the mower without either the entire grass catcher, on mowers so equipped, or the deflector shield in place.



TO OPERATE ON HILLS

CAUTION: Do not drive up or down hills with slopes greater than 15° and do not drive across any slope. Use the slope guide at the back of this manual.

- Choose the slowest speed before starting up or down hills.
- Avoid stopping or changing speed on hills.
- If slowing is necessary, move throttle control lever to slower position.
- If stopping is absolutely necessary, push clutch/brake pedal quickly to brake position and engage parking brake.
- Move gearshift lever to 1st gear. Be sure you have allowed room for tractor to roll slightly as you restart movement.
- To restart movement, slowly release parking brake and clutch/brake pedal.
- Make all turns slowly.

TO TRANSPORT

- Raise attachment lift to highest position with attachment lift control.
- When pushing or towing your tractor, be sure gearshift lever is in neutral (N) position.
- Do not push or tow tractor at more than five (5) MPH.

NOTE: To protect hood from damage when transporting your tractor on a truck or a trailer, be sure hood is closed and secured to tractor. Use an appropriate means of tying hood to tractor (rope, cord, etc.).

TOWING CARTS AND OTHER ATTACHMENTS

Tow only the attachments that are recommended by and comply with specifications of the manufacturer of your tractor. Use common sense when towing. Too heavy of a load, while on a slope, is dangerous. Tires can lose traction with the ground and cause you to lose control of your tractor.

BEFORE STARTING THE ENGINE

CHECK ENGINE OIL LEVEL

The engine in your tractor has been shipped, from the factory, already filled with summer weight oil.

1. Check engine oil with tractor on level ground.
 2. Remove oil fill cap/dipstick and wipe clean, reinsert the dipstick and screw cap tight, wait for a few seconds, remove and read oil level. If necessary, add oil until "FULL" mark on dipstick is reached. Do not overfill.
- For cold weather operation you should change oil for easier starting (See the oil viscosity chart in the Maintenance section of this manual).
 - To change engine oil, see the Maintenance section in this manual.

ADD GASOLINE

- Fill fuel tank to bottom of filler neck. Do not overfill. Use fresh, clean, regular unleaded gasoline with a minimum of 87 octane. (Use of leaded gasoline will increase carbon and lead oxide deposits and reduce valve life). Do not mix oil with gasoline. Purchase fuel in quantities that can be used within 30 days to assure fuel freshness.

CAUTION: Wipe off any spilled oil or fuel. Do not store, spill or use gasoline near an open flame.

IMPORTANT: When operating in temperatures below 32°F (0°C), use fresh, clean winter grade gasoline to help insure good cold weather starting.

CAUTION: Alcohol blended fuels (called gasohol or using ethanol or methanol) can attract moisture which leads to separation and formation of acids during storage. Acidic gas can damage the fuel system of an engine while in storage. To avoid engine problems, the fuel system should be emptied before storage of 30 days or

longer. Drain the gas tank, start the engine and let it run until the fuel lines and carburetor are empty. Use fresh fuel next season. See Storage Instructions for additional information. Never use engine or carburetor cleaner products in the fuel tank or permanent damage may occur.

TO START ENGINE

When starting the engine for the first time or if the engine has run out of fuel, it will take extra cranking time to move fuel from the tank to the engine.

1. Sit on seat in operating position, depress clutch/brake pedal and set parking brake.
2. Place gear shift lever in neutral (N) position.
3. Move attachment clutch to disengaged position.
4. Move throttle control to fast position
5. Pull choke control out for a cold engine start attempt. For a warm engine start attempt the choke control may not be needed.

NOTE: Before starting, read the warm and cold starting procedures below.

6. Insert key into ignition and turn key clockwise to start position and release key as soon as engine starts. Do not run starter continuously for more than fifteen seconds per minute. If the engine does not start after several attempts, push choke control in, wait a few minutes and try again. If engine still does not start, pull the choke control out and retry.

WARM WEATHER STARTING (50° F and above)

7. When engine starts, slowly push choke control in until the engine begins to run smoothly. If the engine starts to run roughly, pull the choke control out slightly for a few seconds and then continue to push the control in slowly.
- The attachments and ground drive can now be used. If the engine does not accept the load, restart the engine and allow it to warm up for one minute using the choke as described above.

COLD WEATHER STARTING (50° F and below)

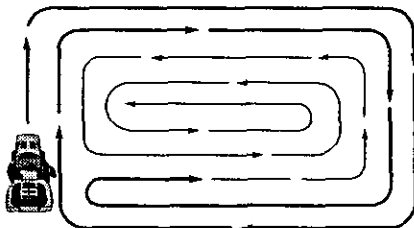
- When engine starts, slowly push choke control in until the engine begins to run smoothly. Continue to push the choke control in small steps allowing the engine to accept small changes in speed and load, until the choke control is fully in. If the engine starts to run roughly, pull the choke control out slightly for a few seconds and then continue to push the control in slowly. This may require an engine warm-up period from several seconds to several minutes, depending on the temperature.

- The attachments can be used during the engine warm-up period and may require the choke control be pulled out slightly.

NOTE: If at a high altitude (above 3000 feet) or in cold temperatures (below 32 F) the carburetor fuel mixture may need to be adjusted for best engine performance (see "TO ADJUST CARBURETOR" in the Service and Adjustments section of this manual).

MOWING TIPS

- Mower should be properly leveled for best mowing performance. See "TO LEVEL MOWER HOUSING" in the Service and Adjustments section of this manual.
- The left hand side of mower should be used for trimming.
- Drive so that clippings are discharged onto the area that has already been cut. Have the cut area to the right of the tractor. This will result in a more even distribution of clippings and more uniform cutting.
- When mowing large areas, start by turning to the right so that clippings will discharge away from shrubs, fences, driveways, etc. After one or two rounds, mow in the opposite direction making left hand turns until finished.



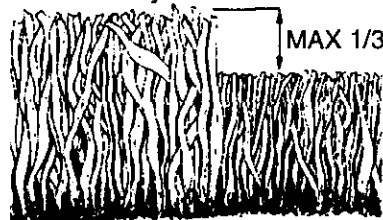
- If grass is extremely tall, it should be mowed twice to reduce load and possible fire hazard from dried clippings. Make first cut relatively high; the second to the desired height.

- Do not mow grass when it is wet. Wet grass will plug mower and leave undesirable clumps. Allow grass to dry before mowing.
- Always operate engine at full throttle when mowing** to assure better mowing performance and proper discharge of material. Regulate ground speed by selecting a low enough gear to give the mower cutting performance as well as the quality of cut desired.
- When operating attachments, select a ground speed that will suit the terrain and give best performance of the attachment being used.

MULCHING MOWING TIPS

IMPORTANT: For best performance, keep mower housing free of built-up grass and trash. Clean after each use.

- The special mulching blade will recut the grass clippings many times and reduce them in size so that as they fall onto the lawn they will disperse into the grass and not be noticed. Also, the mulched grass will biodegrade quickly to provide nutrients for the lawn. Always mulch with your highest engine (blade) speed as this will provide the best recutting action of the blades.
- Avoid cutting your lawn when it is wet. Wet grass tends to form clumps and interferes with the mulching action. The best time to mow your lawn is the early afternoon. At this time the grass has dried and the newly cut area will not be exposed to the direct sun.
- For best results, adjust the mower cutting height so that the mower cuts off only the top one-third of the grass blades. For extremely heavy grass, reduce your width of cut on each pass and mow slowly.



- Certain types of grass and grass conditions may require that an area be mulched a second time to completely hide the clippings. When doing a second cut, mow across or perpendicular to the first cut path.
- Change your cutting pattern from week to week. Mow north to south one week then change to east to west the next week. This will help prevent matting and graining of the lawn.

MAINTENANCE

| MAINTENANCE SCHEDULE | | SERVICE DATES | | | | | | |
|---|---|-----------------|---------------|----------------|----------------|-----------------|--------------|----------------|
| FILL IN DATES AS YOU COMPLETE REGULAR SERVICE | | BEFORE EACH USE | EVERY 8 HOURS | EVERY 25 HOURS | EVERY 50 HOURS | EVERY 100 HOURS | EVERY SEASON | BEFORE STORAGE |
| T R A C T O R | Check Brake Operation | ✓ | ✓ | | | | | |
| | Check Tire Pressure | ✓ | ✓ | | | | | |
| | Check Operator Presence and Interlock Systems | ✓ | | | | | | |
| | Check for Loose Fasteners | ✓ | | | 5 | | ✓ | |
| | Sharpen/Replace Mower Blades | | | 3 | | | | |
| | Lubrication Chart | | | ✓ | | | ✓ | |
| | Check Battery Level | | | 4 | | | | |
| | Clean Battery and Terminals | | | ✓ | | | ✓ | |
| | Check Transaxle Cooling | | | ✓ | | | | |
| | Check V-Belts | | | | ✓ | | | |
| E N G I N E | Check Engine Oil Level | ✓ | ✓ | | | | | |
| | Change Engine Oil (with oil filter) | | | 1,2 | | | ✓ | |
| | Change Engine Oil (without oil filter) | | | 1,2 | | | ✓ | |
| | Clean Air Filter | | | 2 | | | | |
| | Clean Air Screen | | | 2 | | | | |
| | Inspect Muffler/Spark Arrester | | | ✓ | | | | |
| | Replace Oil Filter (if equipped) | | | | 1,2 | | | |
| | Clean Engine Cooling Fins | | | | 2 | | | |
| | Replace Spark Plug | | | | ✓ | | ✓ | |
| | Replace Air Filter Paper Cartridge | | | | 2 | | | |
| Replace Fuel Filter | | | | | ✓ | | | |

1 - Change more often when operating under a heavy load or in high ambient temperatures.
 2 - Service more often when operating in dirty or dusty conditions.

3 - Replace blades more often when mowing in sandy soil.
 4 - Not required if equipped with maintenance-free battery.
 5 - Tighten front axle pivot bolt to 35 ft.-lbs. maximum. Do not overtighten.

GENERAL RECOMMENDATIONS

The warranty on this tractor does not cover items that have been subjected to operator abuse or negligence. To receive full value from the warranty, operator must maintain tractor as instructed in this manual. Some adjustments will need to be made periodically to properly maintain your tractor.

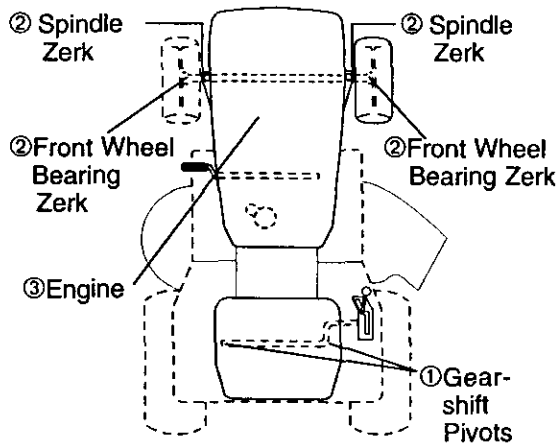
All adjustments in the Service and Adjustments section of this manual should be checked at least once each season.

- Once a year you should replace the spark plug, clean or replace air filter, and check blades and belts for wear. A new spark plug and clean air filter assure proper air-fuel mixture and help your engine run better and last longer.

BEFORE EACH USE

- Check engine oil level.
- Check brake operation.
- Check tire pressure.
- Check operator presence and interlock systems for proper operation.
- Check for loose fasteners.

LUBRICATION CHART



- ①SAE 30 or 10w30 MOTOR OIL
- ②GENERAL PURPOSE GREASE
- ③REFER TO Maintenance "ENGINE" SECTION

IMPORTANT: Do not oil or grease the pivot points which have special nylon bearings. Viscous lubricants will attract dust and dirt that will shorten the life of the self-lubricating bearings. If you feel they must be lubricated, use only a dry, powdered graphite type lubricant sparingly.

TRACTOR

Always observe safety rules when performing any maintenance.

BRAKE OPERATION

If tractor requires more than six (6) feet stopping distance at high speed in highest gear, then brake must be adjusted. (See "TO ADJUST BRAKE" in the Service and Adjustments section of this manual).

TIRES

- Maintain proper air pressure in all tires (See "PRODUCT SPECIFICATIONS" section of this manual).
- Keep tires free of gasoline, oil, or insect control chemicals which can harm rubber.
- Avoid stumps, stones, deep ruts, sharp objects and other hazards that may cause tire damage.

NOTE: To seal tire punctures and prevent flat tires due to slow leaks, tire sealant may be purchased from your local parts dealer. Tire sealant also prevents tire dry rot and corrosion.

OPERATOR PRESENCE SYSTEM

Be sure operator presence and interlock systems are working properly. If your tractor does not function as described, repair the problem immediately.

- The engine should not start unless the clutch/brake pedal is fully depressed and attachment clutch control is in the disengaged position.
- When the engine is running, any attempt by the operator to leave the seat without first setting the parking brake should shut off the engine.
- When the engine is running and the attachment clutch is engaged, any attempt by the operator to leave the seat should shut off the engine.
- The attachment clutch should never operate unless the operator is in the seat.

BLADE CARE

For best results mower blades must be kept sharp. Replace bent or damaged blades.

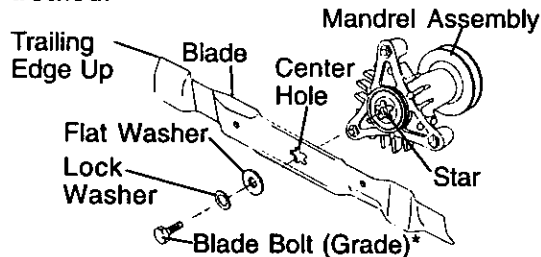
BLADE REMOVAL

1. Raise mower to highest position to allow access to blades.
2. Remove blade bolt, lock washer and flat washer securing blade.
3. Install new or resharpened blade with trailing edge up towards deck as shown.

IMPORTANT: To ensure proper assembly, center hole in blade must align with star on mandrel assembly.

4. Reassemble blade bolt, lock washer and flat washer in exact order as shown.
5. Tighten bolt securely (27-35 Ft. Lbs. torque).

IMPORTANT: Blade bolt is grade 8 heat treated.



*A Grade 8 heat treated bolt can be identified by six lines on the bolt head.

TO SHARPEN BLADE

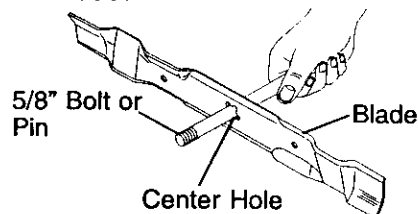
NOTE: We do not recommend sharpening blade - but if you do, be sure the blade is balanced.

Care should be taken to keep the blade balanced. An unbalanced blade will cause excessive vibration and eventual damage to mower and engine.

- The blade can be sharpened with a file or on a grinding wheel. Do not attempt to sharpen while on the mower.
- To check blade balance, you will need a 5/8" diameter steel bolt, pin, or a cone balancer. (When using a cone balancer, follow the instructions supplied with balancer.)

NOTE: Do not use a nail for balancing blade. The lobes of the center hole may appear to be centered, but are not.

- Slide blade on to an unthreaded portion of the steel bolt or pin and hold the bolt or pin parallel with the ground. If blade is balanced, it should remain in a horizontal position. If either end of the blade moves downward, sharpen the heavy end until the blade is balanced.



BATTERY

Your tractor has a battery charging system which is sufficient for normal use. However, periodic charging of the battery with an automotive charger will extend its life.

- Keep battery and terminals clean.
- Keep battery bolts tight.
- Keep small vent holes open.
- Recharge at 6-10 amperes for 1 hour.

NOTE: The original equipment battery on your tractor is maintenance free. Do not attempt to open or remove caps or covers. Adding or checking level of electrolyte is not necessary.

TO CLEAN BATTERY AND TERMINALS

Corrosion and dirt on the battery and terminals can cause the battery to "leak" power.

1. Remove terminal guard.
2. Disconnect BLACK battery cable first then RED battery cable and remove battery from tractor.
3. Rinse the battery with plain water and dry.
4. Clean terminals and battery cable ends with wire brush until bright.
5. Coat terminals with grease or petroleum jelly.
6. Reinstall battery (See "REPLACING BATTERY" in the SERVICE AND ADJUSTMENTS section of this manual).

TRANSAXLE COOLING

Keep transaxle free from build-up of dirt and chaff which can restrict cooling.

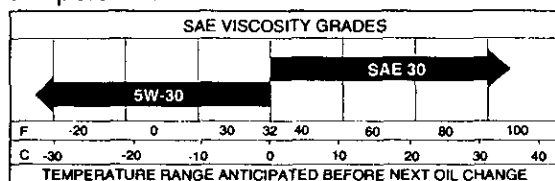
V-BELTS

Check V-belts for deterioration and wear after 100 hours of operation and replace if necessary. The belts are not adjustable. Replace belts if they begin to slip from wear.

ENGINE

LUBRICATION

Only use high quality detergent oil rated with API service classification SF-SJ. Select the oil's SAE viscosity grade according to your expected operating temperature.



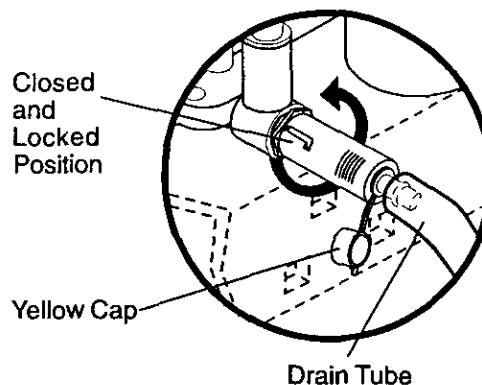
NOTE: Although multi-viscosity oils (5W30, 10W30 etc.) improve starting in cold weather, these multi-viscosity oils will result in increased oil consumption when used above 32°F. Check your engine oil level more frequently to avoid possible engine damage from running low on oil. Change the oil after every 50 hours of operation or at least once a year if the tractor is not used for 50 hours in one year. Check the crankcase oil level before starting the engine and after each eight (8) hours of operation. Tighten oil fill cap/dipstick securely each time you check the oil level.

TO CHANGE ENGINE OIL

Determine temperature range expected before oil change. All oil must meet API service classification SF-SJ.

- Be sure tractor is on level surface.
 - Oil will drain more freely when warm.
 - Catch oil in a suitable container.
1. Remove oil fill cap/dipstick. Be careful not to allow dirt to enter the engine when changing oil.
 2. Remove yellow cap from end of drain valve and install the drain tube onto the fitting.

Oil Drain Valve



3. Unlock drain valve by pushing inward slightly and turning counterclockwise.
4. To open, pull out on the drain valve.
5. After oil has drained completely, close and lock the drain valve by pushing inward and turning clockwise until the pin is in the locked position as shown.
6. Remove the drain tube and replace the cap onto the end of the drain valve.
7. Refill engine with oil through oil fill dipstick tube. Pour slowly. Do not overfill. For approximate capacity see "PRODUCT SPECIFICATIONS" section of this manual.

- Use gauge on oil fill cap/dipstick for checking level. For accurate reading, tighten dipstick cap securely onto the tube before removing dipstick. Keep oil at "FULL" line on dipstick. Tighten cap onto the tube securely when finished.

ENGINE OIL FILTER

Replace the engine oil filter every season or every other oil change if the tractor is used more than 100 hours in one year.

AIR FILTER

Your engine will not run properly using a dirty air filter. Clean the foam pre-cleaner after every 25 hours of operation or every season. Service paper cartridge every 100 hours of operation or every season, whichever occurs first.

Service air cleaner more often under dusty conditions.

- Remove knobs and cover.

TO SERVICE PRE-CLEANER

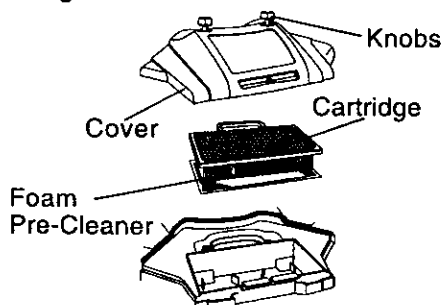
- Wash it in liquid detergent and water.
- Squeeze it dry in a clean cloth.
- Saturate it in engine oil. Wrap it in clean, absorbent cloth and squeeze to remove excess oil.

NOTE: If very dirty or damaged, replace pre-cleaner.

TO SERVICE CARTRIDGE

- Clean cartridge by tapping gently on flat surface. If very dirty or damaged, replace cartridge.
- Reinstall pre-cleaner cartridge, cover and secure with knobs.

IMPORTANT: Petroleum solvents, such as kerosene, are not to be used to clean the cartridge. They may cause deterioration of the cartridge. Do not oil cartridge. Do not use pressurized air to clean or dry cartridge.



CLEAN AIR SCREEN

Air screen must be kept free of dirt and chaff to prevent engine damage from overheating. Clean with a wire brush or compressed air to remove dirt and stubborn dried gum fibers.

CLEAN AIR INTAKE/COOLING AREAS

To insure proper cooling, make sure the grass screen, cooling fins, and other external surfaces of the engine are kept clean at all times.

Every 100 hours of operation (more often under extremely dusty, dirty conditions), remove the blower housing and other cooling shrouds. Clean the cooling fins and external surfaces as necessary. Make sure the cooling shrouds are reinstalled.

NOTE: Operating the engine with a blocked grass screen, dirty or plugged cooling fins, and/or cooling shrouds removed will cause engine damage due to overheating.

MUFFLER

Inspect and replace corroded muffler and spark arrester (if equipped) as it could create a fire hazard and/or damage.

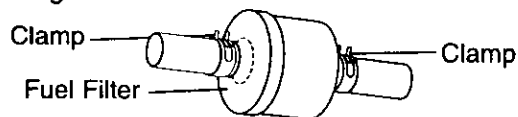
SPARK PLUG(S)

Replace spark plug(s) at the beginning of each mowing season or after every 100 hours of operation, whichever occurs first. Spark plug type and gap setting are shown in "PRODUCT SPECIFICATIONS" section of this manual.

IN-LINE FUEL FILTER

The fuel filter should be replaced once each season. If fuel filter becomes clogged, obstructing fuel flow to carburetor, replacement is required.

- With engine cool, remove filter and plug fuel line sections.
- Place new fuel filter in position in fuel line with arrow pointing towards carburetor.
- Be sure there are no fuel line leaks and clamps are properly positioned.
- Immediately wipe up any spilled gasoline.



CLEANING

- Clean engine, battery, seat, finish, etc. of all foreign matter.
- Keep finished surfaces and wheels free of all gasoline, oil, etc.
- Protect painted surfaces with automotive type wax.

We do not recommend using a garden hose to clean your tractor unless the electrical system, muffler, air filter and carburetor are covered to keep water out. Water in engine can result in a shortened engine life.

SERVICE AND ADJUSTMENTS



WARNING: TO AVOID SERIOUS INJURY, BEFORE PERFORMING ANY SERVICE OR ADJUSTMENTS:

1. Depress clutch/brake pedal fully and set parking brake.
2. Place gearshift lever in neutral (N) position.
3. Place attachment clutch in "DISENGAGED" position.
4. Turn ignition key to "STOP" and remove key.
5. Make sure the blades and all moving parts have completely stopped.
6. Disconnect spark plug wire from spark plug and place wire where it cannot come in contact with plug.

TRACTOR

TO REMOVE MOWER

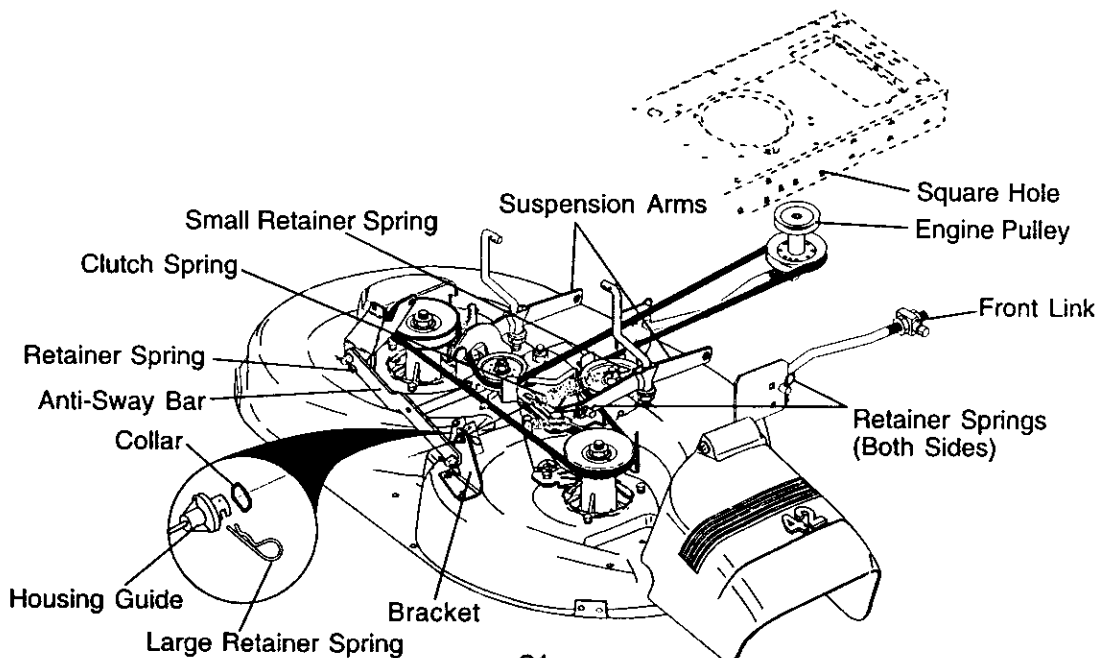
Mower will be easier to remove from the right side of tractor.

1. Place attachment clutch in "DISENGAGED" position.
2. Move attachment lift lever forward to lower mower to its lowest position.
3. Roll belt off engine pulley.
4. Remove small retainer spring, and lift clutch spring off pulley bolt.
5. Remove large retainer spring, slide collar off and push housing guide out of bracket.
6. Disconnect anti-sway bar from chassis bracket by removing retainer spring.
7. Disconnect suspension arms from rear deck brackets by removing retainer springs.
8. Disconnect front links from deck by removing retainer springs.
9. Raise lift lever to raise suspension arms. Slide mower out from under tractor.

IMPORTANT: If an attachment other than the mower deck is to be mounted on the tractor, remove the front links and hook the clutch spring into square hole in frame.

TO INSTALL MOWER

1. Raise attachment lift lever to its highest position.
2. Slide mower under tractor with deflector shield to right side of tractor.
3. Lower lift lever to its lowest position.
4. Connect front links to mower deck and secure with retainer springs.
5. Connect suspension arms to rear deck brackets and secure with retainer springs.
6. Connect anti-sway bar to chassis bracket and secure with retainer spring.
7. Push clutch cable housing guide into bracket, slide collar onto guide and secure with large retainer spring.
8. Install belt onto engine pulley.



TO LEVEL MOWER HOUSING

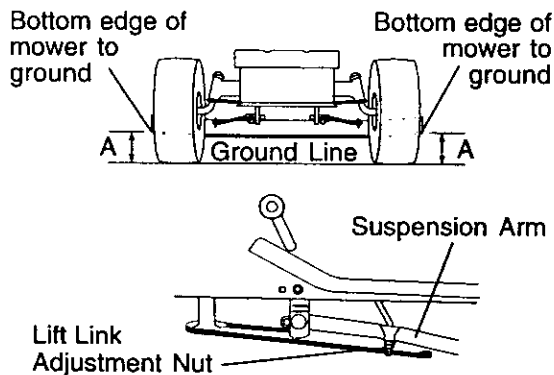
Adjust the mower while tractor is parked on level ground or driveway. Make sure tires are properly inflated (See "PRODUCT SPECIFICATIONS" section of this manual). If tires are over or underinflated, you will not properly adjust your mower.

SIDE-TO-SIDE ADJUSTMENT

- Raise mower to its highest position.
- At the midpoint of both sides of mower, measure height from bottom edge of mower to ground. Distance "A" on both sides of mower should be the same or within 1/4" of each other.
- If adjustment is necessary, make adjustment on one side of mower only.
- To raise one side of mower, tighten lift link adjustment nut on that side.
- To lower one side of mower, loosen lift link adjustment nut on that side.

NOTE: Each full turn of adjustment nut will change mower height about 1/8".

- Recheck measurements after adjusting.



FRONT-TO-BACK ADJUSTMENT

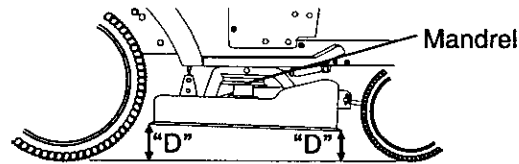
IMPORTANT: Deck must be level side-to-side. If the following front-to-back adjustment is necessary, be sure to adjust both front links equally so mower will stay level side-to-side.

To obtain the best cutting results, the mower housing should be adjusted so that the front is approximately 1/8" to 1/2" lower than the rear when the mower is in its highest position.

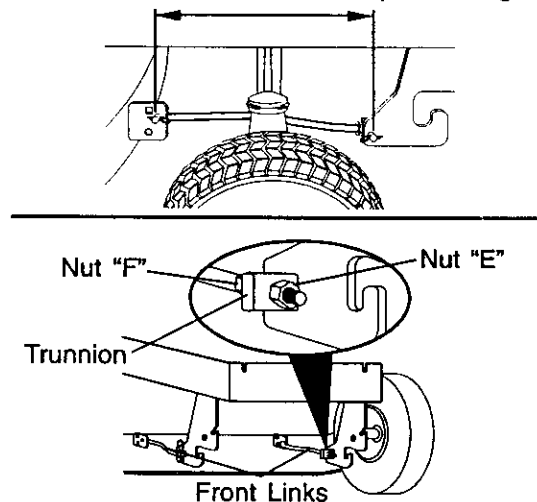
Check adjustment on right side of tractor. Measure distance "D" directly in front and behind the mandrel at bottom edge of mower housing as shown.

- Before making any necessary adjustments, check that both front links are equal in length.
- If links are not equal in length, adjust one link to same length as other link.

- To lower front of mower loosen nut "E" on both front links an equal number of turns.
- When distance "D" is 1/8" to 1/2" lower at front than rear, tighten nuts "F" against trunnion on both front links.
- To raise front of mower, loosen nut "F" from trunnion on both front links.
- Tighten nut "E" on both front links an equal number of turns. The two front links must remain equal in length.
- When distance "D" is 1/8" to 1/2" lower at front than rear, tighten nut "F" against trunnion on both front links.
- Recheck side-to-side adjustment.



Both Front Links Should be Equal in Length



TO REPLACE MOWER BLADE DRIVE BELT

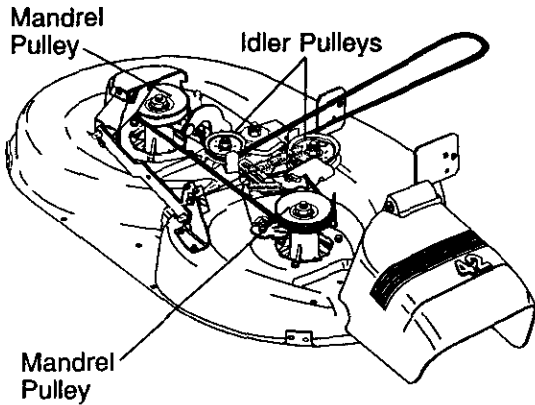
The mower blade drive belt may be replaced without tools. Park the tractor on level surface. Engage parking brake.

BELT REMOVAL -

1. Remove mower from tractor (See "TO REMOVE MOWER" in this section of manual).
2. Work belt off both mandrel pulleys and idler pulleys.
3. Pull belt away from mower.

BELT INSTALLATION -

1. Work belt around both mandrel pulleys and idler pulleys
2. Make sure belt is in all pulley grooves and inside all belt guides.
3. Install mower (See "To Install Mower" in this section of this manual).

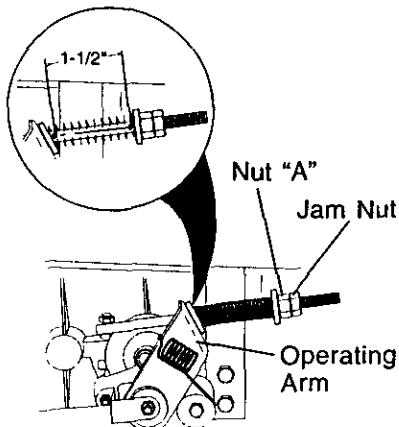


TO ADJUST BRAKE

Your tractor is equipped with an adjustable brake system which is mounted on the right side of the transaxle. If tractor requires more than six (6) feet stopping distance at high speed in highest gear on a level dry concrete or paved surface, then brake must be adjusted.

1. Depress clutch/brake pedal and engage parking brake.
2. Measure distance between brake operating arm and nut "A" on brake rod.
3. If distance is other than 1-1/2", loosen jam nut and turn nut "A" until distance becomes 1-1/2". Retighten jam nut against nut "A".
4. Road test tractor for proper stopping distance as stated above. Readjust if necessary. If stopping distance is still greater than six (6) feet in highest gear, further maintenance is necessary. Contact a Sears or other qualified service center.

With Parking Brake "Engaged"



TO REPLACE MOTION DRIVE BELT

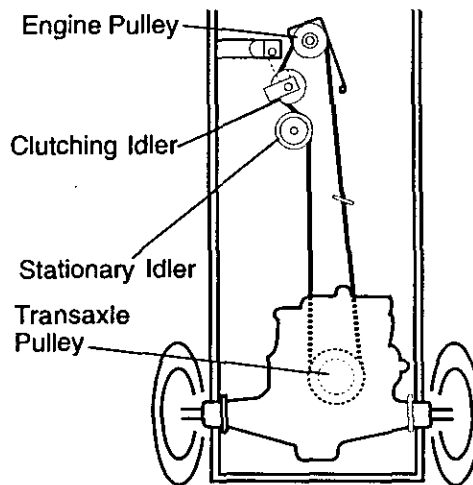
Park the tractor on level surface. Engage parking brake. For assistance, there is a belt installation guide decal on bottom side of left footrest.

BELT REMOVAL -

1. Remove mower (See "TO REMOVE MOWER" in this section of manual). **NOTE:** Observe entire motion drive belt and position of all belt guides and keepers.
2. Remove belt from stationary idler and clutching idler.
3. Remove belt downward from around engine pulley.
4. Pull belt slack toward rear of tractor. Remove belt upwards from transaxle pulley by deflecting belt keepers.
5. Remove belt from center span keeper and pull belt away from tractor.

BELT INSTALLATION -

1. Carefully work new belt down between transaxle belt keepers and onto the input pulley.
2. Slide belt into the center span keeper.
3. Pull belt toward front of tractor and roll around the top groove of engine pulley.
4. Install belt through stationary idler and clutching idler.
5. Make sure belt is in all pulley grooves and inside all belt guides and keepers.
6. Install mower (See "TO INSTALL MOWER" in this section of manual).

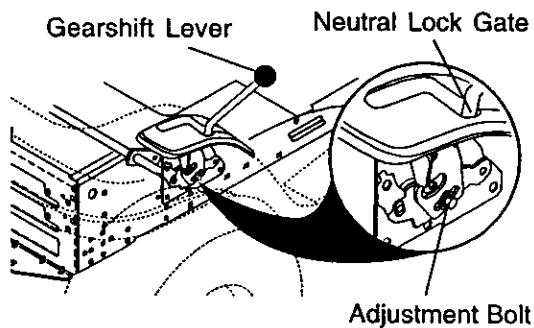


TRANSAXLE GEAR SHIFT LEVER NEUTRAL ADJUSTMENT

The transaxle should be in neutral when the gear shift lever is in neutral (N) (lock gate) position. The adjustment is preset at the factory; however, if adjustment is needed, proceed as follows:

1. Make sure transaxle is in neutral (N).
2. Loosen adjustment bolt in front of the right rear wheel.
3. Position the gear shift lever in the neutral (N) position.
4. Tighten adjustment bolt securely.

NOTE: When the tractor rear wheels move freely, the transaxle is in neutral.
NOTE: If additional clearance is needed to get to adjustment bolt, move mower deck height to the lowest position.



TO ADJUST STEERING WHEEL ALIGNMENT

If steering wheel crossbars are not horizontal (left to right) when wheels are positioned straight forward, remove steering wheel and reassemble with crossbars horizontal. Tighten securely.

FRONT WHEEL TOE-IN/CAMBER

The front wheel toe-in and camber are not adjustable on your tractor. If damage has occurred to affect the front wheel toe-in or camber, contact a Sears or other qualified service center.

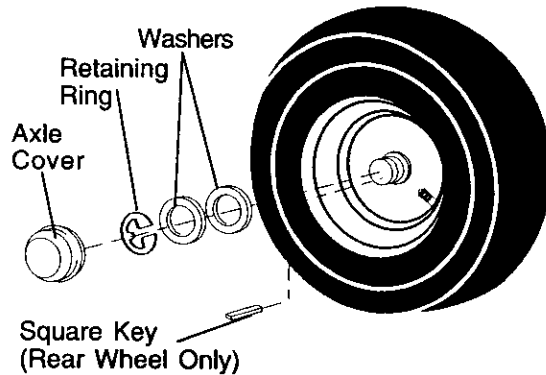
TO REMOVE WHEEL FOR REPAIRS

1. Block up axle securely.
2. Remove axle cover, retaining ring and washers to allow wheel removal (rear wheels have a square key - Do not lose).
3. Repair tire and reassemble.

NOTE: On rear wheels only: align grooves in rear wheel hub and axle. Insert square key.

4. Replace washers and snap retaining ring securely in axle groove.
5. Replace axle cover.

NOTE: To seal tire punctures and prevent flat tires due to slow leaks, purchase and use tire sealant from Sears. Tire sealant also prevents tire dry rot and corrosion.



TO START ENGINE WITH A WEAK BATTERY

WARNING: Lead-acid batteries generate explosive gases. Keep sparks, flame and smoking materials away from batteries. Always wear eye protection when around batteries.

If your battery is too weak to start the engine, it should be recharged. (See "BATTERY" in the MAINTENANCE section of this manual).

If "jumper cables" are used for emergency starting, follow this procedure:

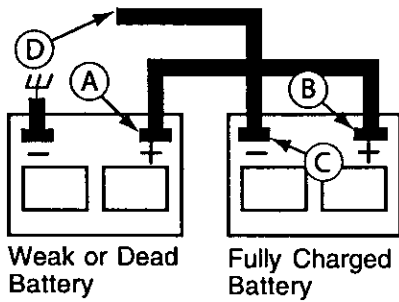
IMPORTANT: Your tractor is equipped with a 12 volt system. The other vehicle must also be a 12 volt system. Do not use your tractor battery to start other vehicles.

TO ATTACH JUMPER CABLES -

1. Connect one end of the RED cable to the POSITIVE (+) terminal of each battery(A-B), taking care not to short against tractor chassis.
2. Connect one end of the BLACK cable to the NEGATIVE (-) terminal (C) of fully charged battery.
3. Connect the other end of the BLACK cable (D) to good chassis ground, away from fuel tank and battery.

TO REMOVE CABLES, REVERSE ORDER -

1. BLACK cable first from chassis and then from the fully charged battery.
2. RED cable last from both batteries.

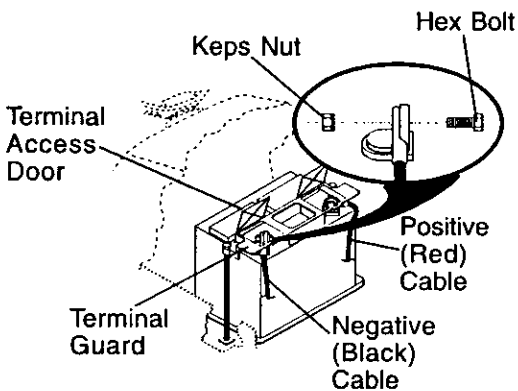


REPLACING BATTERY

⚠ WARNING: Do not short battery terminals by allowing a wrench or any other object to contact both terminals at the same time. Before connecting battery, remove metal bracelets, wristwatch bands, rings, etc.

Positive terminal must be connected first to prevent sparking from accidental grounding.

1. Lift hood to raised position.
2. Remove terminal guard.
3. Disconnect BLACK battery cable then RED battery cable and carefully remove battery from tractor.
4. Install new battery with terminals in same position as old battery.
5. Reinstall terminal guard.
6. First connect RED battery cable to positive (+) battery terminal with hex bolt and keps nut as shown. Tighten securely.
7. Connect BLACK grounding cable to negative (-) battery terminal with remaining hex bolt and keps nut. Tighten securely.
8. Close terminal access doors.
9. Close hood.



TO REPLACE HEADLIGHT BULB

1. Raise hood.
2. Pull bulb holder out of the hole in the backside of the grill.
3. Replace bulb in holder and push bulb holder securely back into the hole in the backside of the grill.
4. Close hood.

INTERLOCKS AND RELAYS

Loose or damaged wiring may cause your tractor to run poorly, stop running, or prevent it from starting.

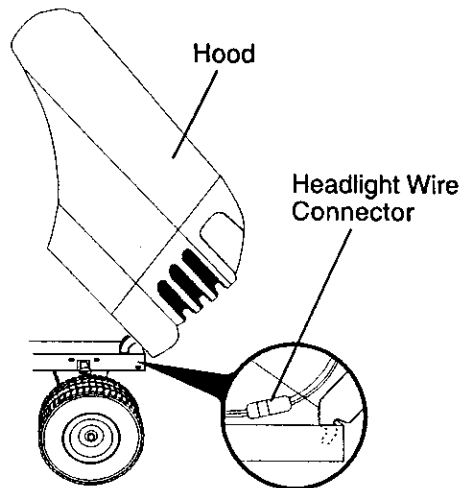
- Check wiring. See electrical wiring diagram in the Repair Parts section.

TO REPLACE FUSE

Replace with 20 amp automotive-type plug-in fuse. The fuse holder is located behind the dash.

TO REMOVE HOOD AND GRILL ASSEMBLY

1. Raise hood.
2. Unsnap headlight wire connector.
3. Stand in front of tractor. Grasp hood at sides, tilt toward engine and lift off of tractor.
4. When replacing hood, be sure to reconnect the headlight wire connector.



ENGINE

Maintenance, repair, or replacement of the emission control devices and systems, which are being done at the customer's expense, may be performed by any non-road engine repair establishment or individual. Warranty repairs must be performed by an authorized engine manufacturer's service outlet.

TO ADJUST THROTTLE CONTROL CABLE

The throttle control has been preset at the factory and adjustment should not be necessary. Check adjustment as described below before loosening cable. If adjustment is necessary, proceed as follows:

1. With engine not running, move throttle control lever to fast position.
2. Check that swivel is against stop. If it is not, loosen cable clamp screw and pull cable back until swivel is against stop. Tighten cable clamp screw securely.

TO ADJUST CHOKE CONTROL

The choke control has been preset at the factory and adjustment should not be necessary. Check adjustment as described below before loosening cable. If adjustment is necessary, proceed as follows:

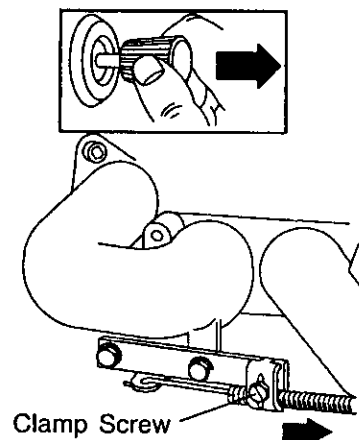
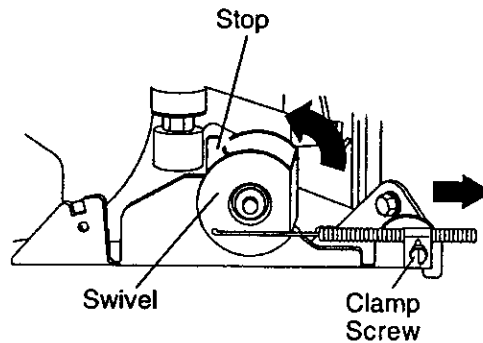
1. With engine not running, move choke control (located on dash panel) to full choke position.
2. Loosen knob and remove cover assembly from air cleaner.
3. Choke should be closed. If it is not, loosen casing clamp screw and move choke cable until choke is completely closed. Tighten casing clamp screw securely.
4. Replace air cleaner cover assembly and tighten knob.

TO ADJUST CARBURETOR

Your carburetor is not adjustable. If your engine does not operate properly due to suspected carburetor problems, take your tractor to an authorized service center for repair and/or adjustment.

High speed stop is factory adjusted. Do not adjust - damage may result.

IMPORTANT: Never tamper with the engine governor, which is factory set for proper engine speed. Overspeeding the engine above the factory high speed setting can be dangerous. If you think the engine-governed high speed needs adjusting, contact a Sears or other qualified service center, which has proper equipment and experience to make any necessary adjustments.



STORAGE

Immediately prepare your tractor for storage at the end of the season or if the tractor will not be used for 30 days or more.

CAUTION: Never store the tractor with gasoline in the tank inside a building where fumes may reach an open flame or spark. Allow the engine to cool before storing in any enclosure.

TRACTOR

Remove mower from tractor for winter storage. When mower is to be stored for a period of time, clean it thoroughly, remove all dirt, grease, leaves, etc. Store in a clean, dry area.

1. Clean entire tractor (See "CLEANING" in the Maintenance section of this manual).
2. Inspect and replace belts, if necessary (See belt replacement instructions in the Service and Adjustments section of this manual).
3. Lubricate as shown in the Maintenance section of this manual.
4. Be sure that all nuts, bolts and screws are securely fastened. Inspect moving parts for damage, breakage and wear. Replace if necessary.
5. Touch up all rusted or chipped paint surfaces; sand lightly before painting.

BATTERY

- Fully charge the battery for storage.
- After a period of time in storage, battery may require recharging.
- To help prevent corrosion and power leakage during long periods of storage, battery cables should be disconnected and battery cleaned thoroughly (see "TO CLEAN BATTERY AND TERMINALS" in the Maintenance section of this manual).
- After cleaning, leave cables disconnected and place cables where they cannot come in contact with battery terminals.
- If battery is removed from tractor for storage, do not store battery directly on concrete or damp surfaces.

ENGINE

FUEL SYSTEM

IMPORTANT: It is important to prevent gum deposits from forming in essential fuel system parts such as carburetor, fuel hose, or tank during storage. Also,

alcohol blended fuels (called gasohol or using ethanol or methanol) can attract moisture which leads to separation and formation of acids during storage. Acidic gas can damage the fuel system of an engine while in storage.

1. Drain the fuel tank.
 2. Start the engine and let it run until the fuel lines and carburetor are empty.
- Never use engine or carburetor cleaner products in the fuel tank or permanent damage may occur.
 - Use fresh fuel next season.

NOTE: Fuel stabilizer is an acceptable alternative in minimizing the formation of fuel gum deposits during storage. Add stabilizer to gasoline in fuel tank or storage container. Always follow the mix ratio found on stabilizer container. Run engine at least 10 minutes after adding stabilizer to allow the stabilizer to reach the carburetor. Do not drain the gas tank and carburetor if using fuel stabilizer.

ENGINE OIL

Drain oil (with engine warm) and replace with clean engine oil. (See "ENGINE" in the Maintenance section of this manual).

CYLINDER(S)

1. Remove spark plug(s).
2. Pour one ounce of oil through spark plug hole(s) into cylinder(s).
3. Turn ignition key to start position for a few seconds to distribute oil.
4. Replace with new spark plug(s).

OTHER

- Do not store gasoline from one season to another.
- Replace your gasoline can if your can starts to rust. Rust and/or dirt in your gasoline will cause problems.
- If possible, store your tractor indoors and cover it to give protection from dust and dirt.
- Cover your tractor with a suitable protective cover that does not retain moisture. Do not use plastic. Plastic cannot breathe which allows condensation to form and will cause your tractor to rust.

IMPORTANT: Never cover tractor while engine and exhaust areas are still warm.

TROUBLESHOOTING CHART:

See appropriate section in manual unless directed to Sears service center

| PROBLEM | CAUSE | CORRECTION |
|---|--|--|
| Will not start | <ol style="list-style-type: none"> 1. Out of fuel. 2. Engine not "CHOKED" properly. 3. Engine flooded. 4. Bad spark plug. 5. Dirty air filter. 6. Dirty fuel filter. 7. Water in fuel. 8. Loose or damaged wiring. 9. Carburetor out of adjustment. 10. Engine valves out of adjustment. | <ol style="list-style-type: none"> 1. Fill fuel tank. 2. See "TO START ENGINE" in Operation section. 3. Wait several minutes before attempting to start. 4. Replace spark plug. 5. Clean/replace air filter. 6. Replace fuel filter. 7. Drain fuel tank and carburetor, refill tank with fresh gasoline and replace fuel filter. 8. Check all wiring. 9. See "To Adjust Carburetor" in Service and Adjustments section. 10. Contact a Sears or other qualified service center. |
| Hard to start | <ol style="list-style-type: none"> 1. Dirty air filter. 2. Bad spark plug. 3. Weak or dead battery. 4. Dirty fuel filter. 5. Stale or dirty fuel. 6. Loose or damaged wiring. 7. Carburetor out of adjustment. 8. Engine valves out of adjustment. | <ol style="list-style-type: none"> 1. Clean/replace air filter. 2. Replace spark plug. 3. Recharge or replace battery. 4. Replace fuel filter. 5. Drain fuel tank and refill with fresh gasoline. 6. Check all wiring. 7. See "To Adjust Carburetor" in Service and Adjustments section. 8. Contact a Sears or other qualified service center. |
| Engine will not turn over | <ol style="list-style-type: none"> 1. Clutch/brake pedal not depressed. 2. Attachment clutch is engaged. 3. Weak or dead battery. 4. Blown fuse. 5. Corroded battery terminals. 6. Loose or damaged wiring. 7. Faulty ignition switch. 8. Faulty solenoid or starter. 9. Faulty operator presence switch(es). | <ol style="list-style-type: none"> 1. Depress clutch/brake pedal. 2. Disengage attachment clutch. 3. Recharge or replace battery. 4. Replace fuse. 5. Clean battery terminals. 6. Check all wiring. 7. Check/replace ignition switch. 8. Check/replace solenoid or starter. 9. Contact a Sears or other qualified service center. |
| Engine clicks but will not start | <ol style="list-style-type: none"> 1. Weak or dead battery. 2. Corroded battery terminals. 3. Loose or damaged wiring. 4. Faulty solenoid or starter. | <ol style="list-style-type: none"> 1. Recharge or replace battery. 2. Clean battery terminals. 3. Check all wiring. 4. Check/replace solenoid or starter. |

TROUBLESHOOTING CHART:

See appropriate section in manual unless directed to Sears service center

| PROBLEM | CAUSE | CORRECTION |
|---|---|---|
| Loss of power | <ol style="list-style-type: none"> 1. Cutting too much grass/too fast. 2. Throttle in "CHOKE" position. 3. Build-up of grass, leaves and trash under mower. 4. Dirty air filter. 5. Low oil level/dirty oil. 6. Faulty spark plug. 7. Dirty fuel filter. 8. Stale or dirty fuel. 9. Water in fuel. 10. Spark plug wire loose. 11. Dirty engine air screen/fins. 12. Dirty/clogged muffler. 13. Loose or damaged wiring. 14. Carburetor out of adjustment. 15. Engine valves out of adjustment. | <ol style="list-style-type: none"> 1. Set in "Higher Cut" position/ reduce speed. 2. Adjust throttle control. 3. Clean underside of mower housing. 4. Clean/replace air filter. 5. Check oil level/change oil. 6. Clean and regap or change spark plug. 7. Replace fuel filter. 8. Drain fuel tank and refill with fresh gasoline. 9. Drain fuel tank and carburetor, refill tank with fresh gasoline and replace fuel filter. 10. Connect and tighten spark plug wire. 11. Clean engine air screen/fins. 12. Clean/replace muffler. 13. Check all wiring. 14. See "To Adjust Carburetor" in Service and Adjustments section. 15. Contact a Sears or other qualified service center. |
| Excessive vibration | <ol style="list-style-type: none"> 1. Worn, bent or loose blade. 2. Bent blade mandrel. 3. Loose/damaged part(s). | <ol style="list-style-type: none"> 1. Replace blade. Tighten blade bolt. 2. Replace blade mandrel. 3. Tighten loose part(s). Replace damaged parts. |
| Engine continues to run when operator leaves seat with attachment clutch engaged | <ol style="list-style-type: none"> 1. Faulty operator-safety presence control system. | <ol style="list-style-type: none"> 1. Check wiring, switches and connections. If not contact a Sears or other qualified service center. |
| Poor cut - uneven | <ol style="list-style-type: none"> 1. Worn, bent or loose blade. 2. Mower deck not level. 3. Buildup of grass, leaves, and trash under mower. 4. Bent blade mandrel. 5. Clogged mower deck vent holes from buildup of grass, leaves, and trash around mandrels. | <ol style="list-style-type: none"> 1. Replace blade. Tighten blade bolt. 2. Level mower deck. 3. Clean underside of mower housing. 4. Replace blade mandrel. 5. Clean around mandrels to open vent holes. |

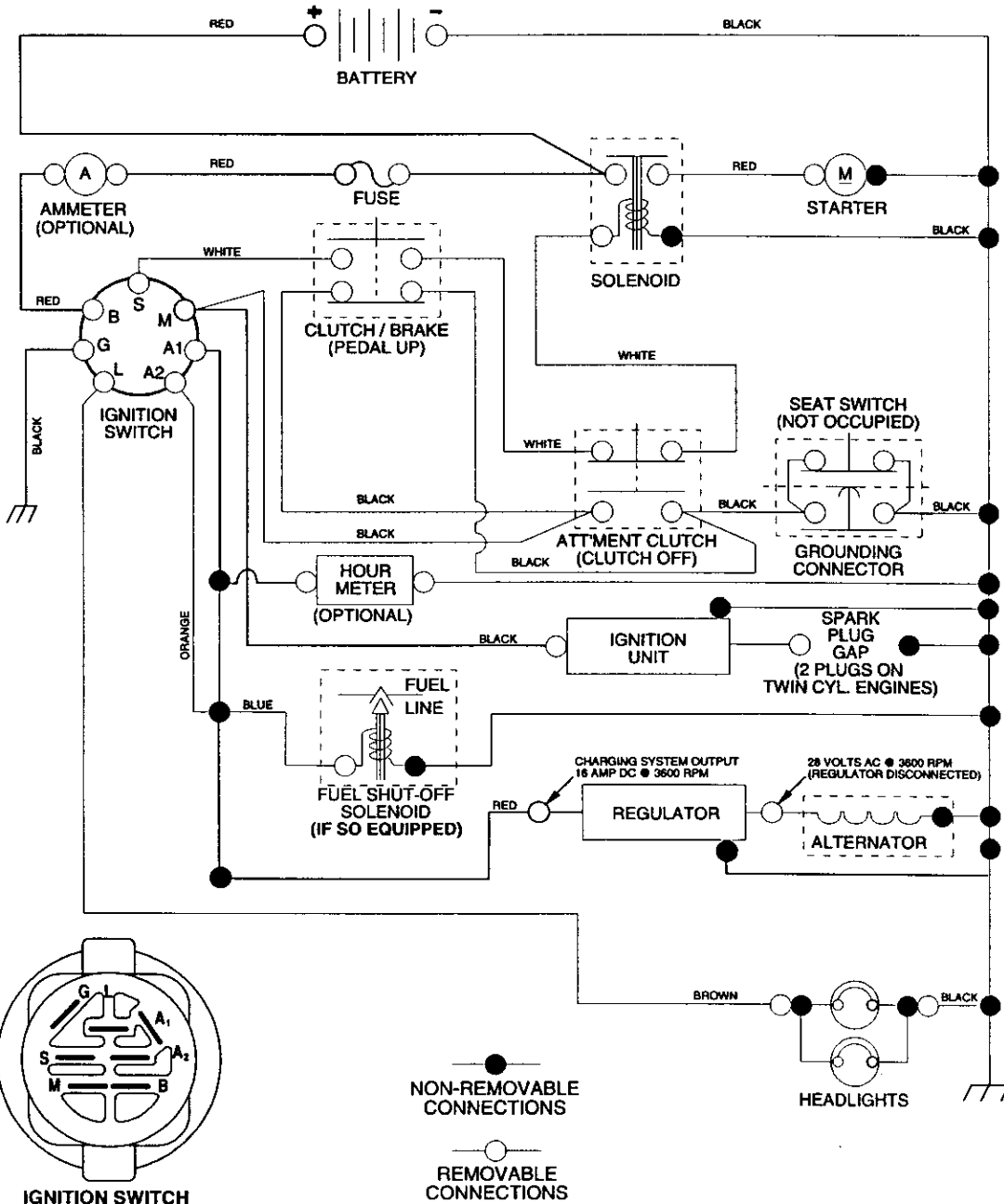
TROUBLESHOOTING CHART:

See appropriate section in manual unless directed to Sears service center

| PROBLEM | CAUSE | CORRECTION |
|---|--|---|
| Mower blades will not rotate | <ol style="list-style-type: none"> 1. Obstruction in clutch mechanism. 2. Worn/damaged mower drive belt. 3. Frozen idler pulley. 4. Frozen blade mandrel. | <ol style="list-style-type: none"> 1. Remove obstruction. 2. Replace mower drive belt. 3. Replace idler pulley. 4. Replace blade mandrel. |
| Poor grass discharge | <ol style="list-style-type: none"> 1. Engine speed too slow. 2. Travel speed too fast. 3. Wet grass. 4. Mower deck not level. 5. Low/uneven tire air pressure. 6. Worn, bent or loose blade. 7. Buildup of grass, leaves and trash under mower. 8. Mower drive belt worn. 9. Blades improperly installed. 10. Improper blades used. 11. Clogged mower deck vent holes from buildup of grass, leaves, and trash around mandrels. | <ol style="list-style-type: none"> 1. Place throttle control in "FAST" position. 2. Shift to slower speed. 3. Allow grass to dry before mowing. 4. Level mower deck. 5. Check tires for proper air pressure. 6. Replace/sharpen blade. Tighten blade bolt. 7. Clean underside of mower housing. 8. Replace mower drive belt. 9. Reinstall blades sharp edge down. 10. Replace with blades listed in this manual. 11. Clean around mandrels to open vent holes. |
| Headlight(s) not working (if so equipped) | <ol style="list-style-type: none"> 1. Switch is "OFF". 2. Bulb(s) or lamp(s) burned out. 3. Faulty light switch. 4. Loose or damaged wiring. 5. Blown fuse. | <ol style="list-style-type: none"> 1. Turn switch "ON". 2. Replace bulb(s) or lamp(s). 3. Check/replace light switch. 4. Check wiring and connections. 5. Replace fuse. |
| Battery will not charge | <ol style="list-style-type: none"> 1. Bad battery cell(s). 2. Poor cable connections. 3. Faulty regulator (if so equipped). 4. Faulty alternator. | <ol style="list-style-type: none"> 1. Replace battery. 2. Check/clean all connections. 3. Replace regulator. 4. Replace alternator. |
| Engine "backfires" when turning engine "OFF" | <ol style="list-style-type: none"> 1. Engine throttle control not set at "SLOW" position for 30 seconds before stopping engine. | <ol style="list-style-type: none"> 1. Move throttle control to "SLOW" position and allow to idle for 30 seconds before stopping engine. |

TRACTOR -- MODEL NUMBER 917.272453

SCHEMATIC

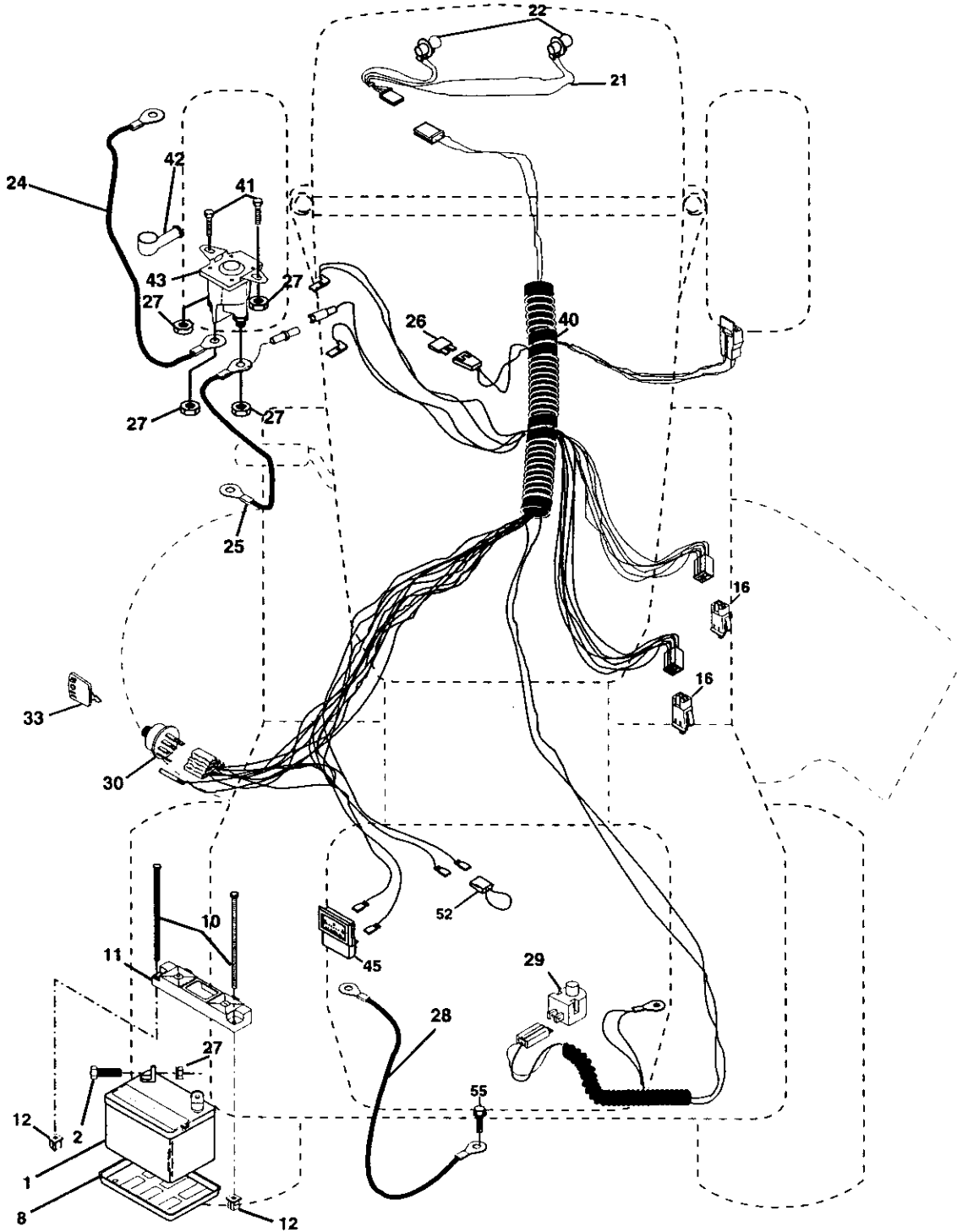


WIRING INSULATED CLIPS
NOTE: IF WIRING INSULATED CLIPS WERE REMOVED FOR SERVICING OF UNIT, THEY SHOULD BE REPLACED TO PROPERLY SECURE YOUR WIRING.

REPAIR PARTS

TRACTOR -- MODEL NUMBER 917.272453

ELECTRICAL



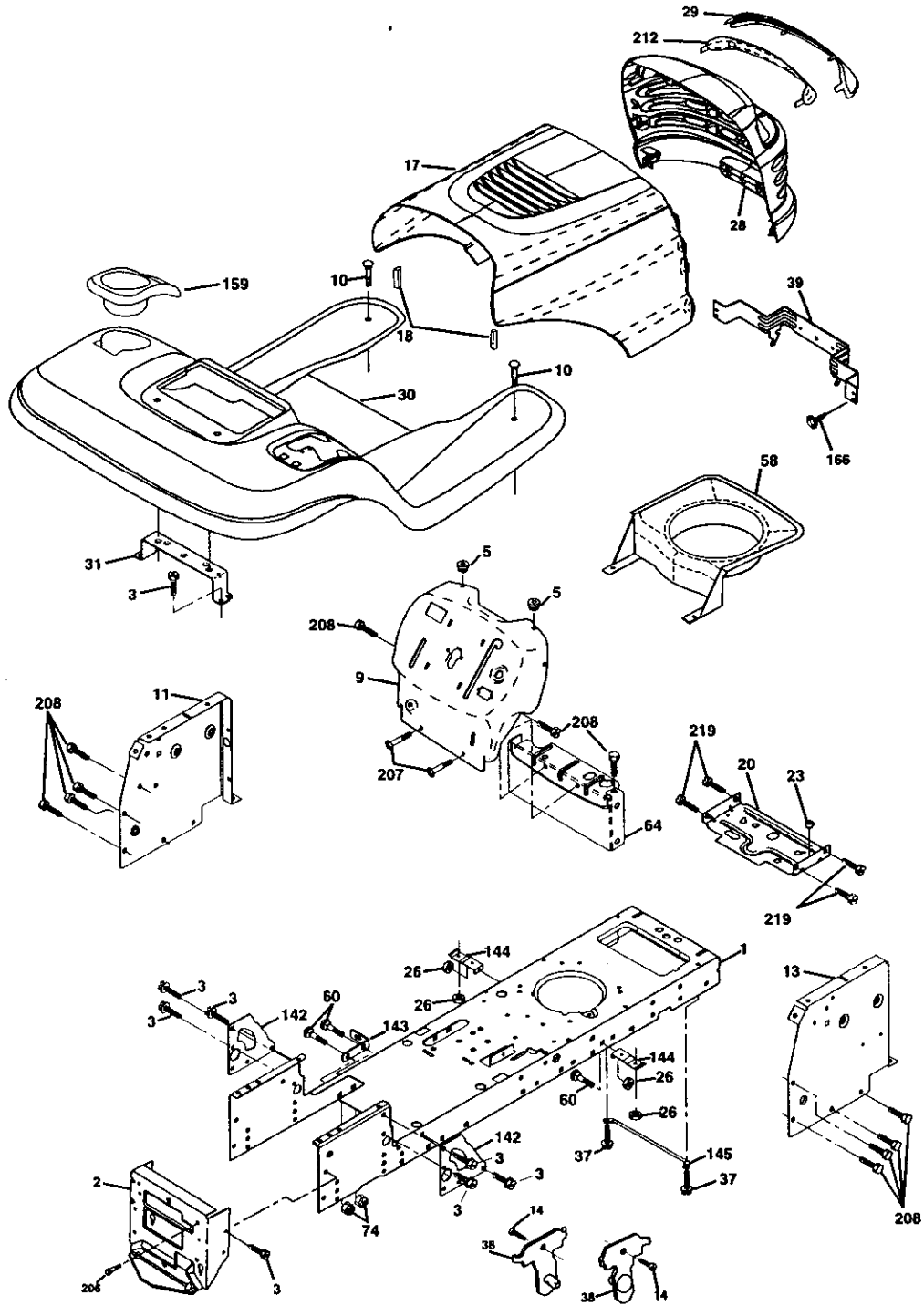
ELECTRICAL**TRACTOR -- MODEL NUMBER 917.272453**

| KEY PART NO. | PART NO. | DESCRIPTION |
|-------------------------|---------------------|------------------------------------|
| 1 | 163465 | Battery 12 VOLT 28 AMP |
| 2 | 74760412 | Bolt Hex Hd 1/4-20unc x 3/4 |
| 8 | 7603J | Case Battery |
| 10 | 145211 | Bolt, Btr Front 1/4-20 x 7-1/2 |
| 11 | 150109 | Holddown Battery Front Mount |
| 12 | 145769 | Nut, Push Nylon Battery Front 1/4 |
| 16 | 176138 | Switch, Interlock Push-In |
| 21 | 175688 | Harness Light Socket (W/4152j) |
| 22 | 4152J | Bulb Light #1156 |
| 24 | 4799J | Cable Battery |
| 25 | 146148 | Cable Battery |
| 26 | 175158 | Fuse |
| 27 | 73510400 | Nut Keps Hex 1/4-20 Unc |
| 28 | 145491 | Cable Ground |
| 29 | 121305X | Switch Seat |
| 30 | 175566 | Switch Ign |
| 33 | 140403 | Key Molded Craftsman |
| 40 | 179720 | Harness Ign |
| 41 | 71110408 | Bolt Bik. Fin Hex 1/4-20 Unc x 1/2 |
| 42 | 131563 | Cover Terminal |
| 43 | 178861 | Solenoid |
| 45 | 121433X | Ammeter Rectangular 6 Amp |
| 52 | 141940 | Protection Wire Loop |
| 55 | 17490508 | Screw Thdrol 5/16-18 x 1/2 |

NOTE: All component dimensions given in U. S.
inches 1 inch = 25.4 mm

TRACTOR -- MODEL NUMBER 917.272453

CHASSIS AND ENCLOSURES



TRACTOR -- MODEL NUMBER 917.272453
CHASSIS AND ENCLOSURES

| KEY PART NO. | NO. | DESCRIPTION |
|---------------------|------------|--------------------------------------|
| 1 | 174619 | Chassis Assembly |
| 2 | 176554 | Drawbar |
| 3 | 17060612 | Screw 3/8-16 x 3/4 |
| 5 | 155272 | BumperHood/Dash |
| 9 | 168337X013 | Dash |
| 10 | STD533710 | Bolt, Carriage 3/8-16 x 1 |
| 11 | 174996 | Panel, Dash, L.H. |
| 13 | 172106X431 | Panel, Dash, R.H. |
| 14 | 17490608 | Screw Thdrol 3/8-16 x 1/2 |
| 17 | 174330X612 | Hood Assembly |
| 18 | 126938X | BumperHood |
| 20 | 180679 | Plate Mtg Battery Fuel Tank |
| 23 | 124028X | Bushing, Snap, Nylon, Fuel Line |
| 25 | 19131312 | Washer 13/32 x 13/16 x 12 Gauge |
| 26 | STD541437 | Locknut, Hex, with Insert 3/8-16 Unc |
| 28 | 177403 | Grille/Lens Asm |
| 29 | 174332X599 | Lens, Grille |
| 30 | 175692X612 | Fend/Ftrest |
| 31 | 139976 | Bracket, Fender Support |
| 37 | 17490508 | Screw Thdrol 5/16-18 x 1/2 |
| 38 | 175710 | Pivot Bracket Assembly |
| 39 | 174714 | Bracket Pivot |
| 58 | 174930 | Air Duct B&S |
| 60 | STD533707 | Bolt Rdhd Sqnk 3/8-16 UNC x 3/4 |
| 64 | 154798 | Dash Lower STLT |
| 74 | STD541437 | Nut Crownlock 3/8-16 UNC |
| 114 | 158112 | Keeper Belt Rear Lh Stil |
| 115 | 17060620 | Screw 3/8-16 x 1-1/4 |
| 142 | 175702 | Plate Reinforcement STLT |
| 143 | 154966 | Bracket Swaybar Chassis |
| 144 | 175582 | Bracket Pnt Footrest STLT |
| 145 | 156524 | Rod Pivot Chassis/Hood |
| 159 | 155123X428 | Cupholder |
| 166 | 164863 | Screw Hwhd Hi-Lo #13-16 x 3/4 |
| 206 | 170165 | Bolt Shoulder 5/16-18 TT |
| 207 | 17670508 | Screw Thdrol 5/16-18 x 1/2 |
| 208 | 17670608 | Screw Thdrol 3/8-16 x 1/2 |
| 211 | 145212 | Nut Hexflange Lock |
| 212 | 175143 | Insert Lens Reflective |
| 219 | 17000512 | Screw 5/16-18 x 3/4 |

NOTE: All component dimensions given in U. S.
inches 1 inch = 25.4 mm

TRACTOR -- MODEL NUMBER 917.272453

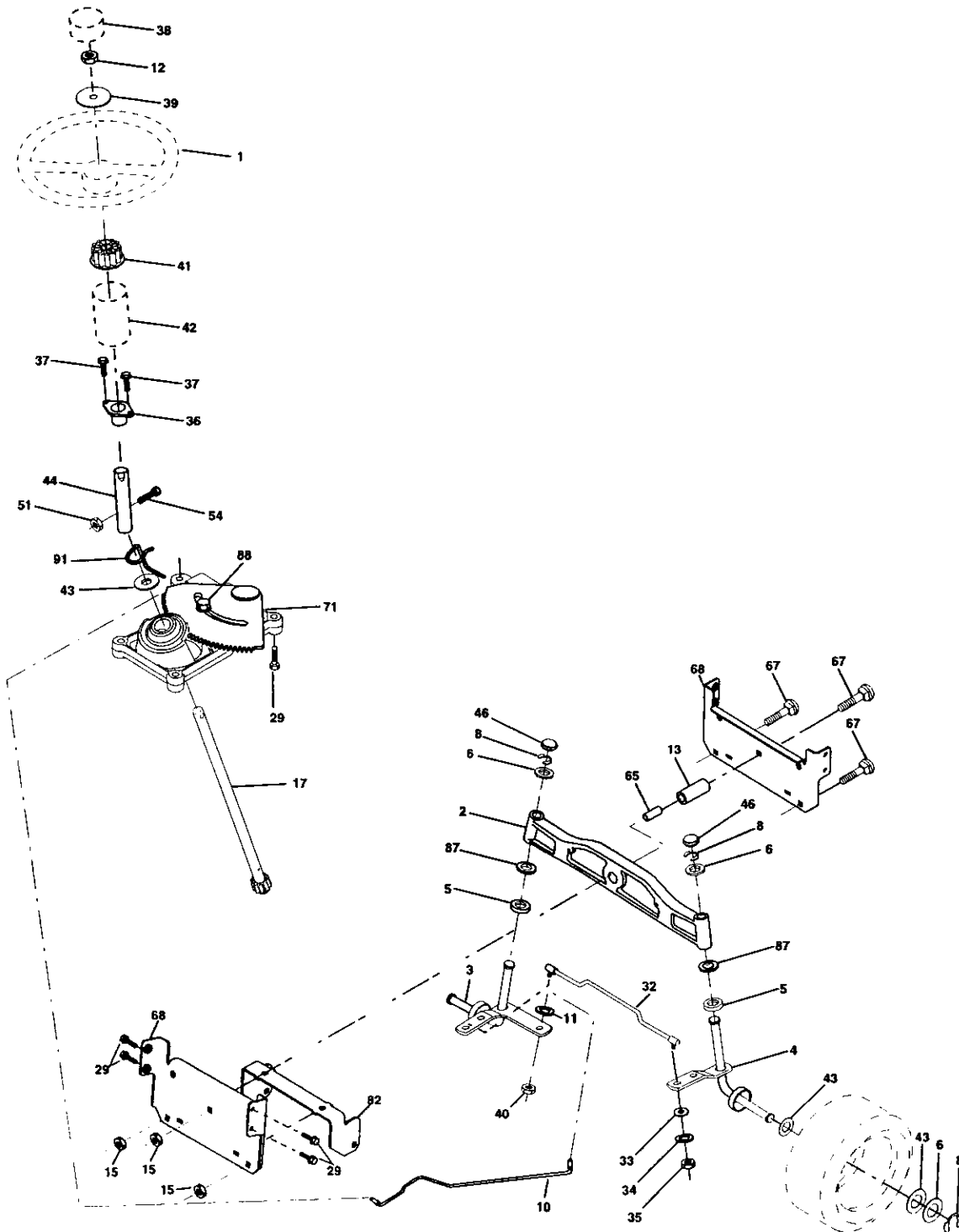
GROUND DRIVE

| KEY PART NO. NO. | DESCRIPTION | KEY PART NO. NO. | DESCRIPTION |
|---------------------|---|---------------------|---|
| 1 | ----- Transaxle (See Breakdown) | 64 | 71170764 Bolt, Hex 7/16-20 x 4 Grade 5 |
| | Peerless 206-545C | 65 | STD551143 Washer |
| 2 | 146682 Spring, Return, Brake | 66 | 154778 Keeper, Belt, Engine, Fool-Proof |
| 3 | 123666X Pulley, Transaxle | 70 | 134683 Guide, Mower Drive Belt, R.H. |
| 4 | 12000028 Ring, Retainer | 74 | 137057 Spacer, Axle |
| 5 | 121520X Strap, Torque | 75 | 121749X Washer 25/32 x 1-1/4 x 16 Ga. |
| 6 | 17060512 Screw 5/16-18 x 3/4 | 76 | STD581075 E-Ring |
| 8 | 165866 Rod Shifter Fender STLT | 77 | 123583X Key, Square 2.0 x .1845/.1865 |
| 10 | STD561210 Pin, Cotter | 78 | 121748X Washer 25/32 x 1-5/8 x 16 Ga |
| 11 | 105701X Washer, Shift Plate | 79 | STD580025 Key Woodruff |
| 13 | 74550412 Bolt 1/4-28 UNF W/Patch Gr. 8 | 80 | 145090 Arm, Shift |
| 14 | 10040400 Washer Lock Hvy Helical | 81 | 165592 Shaft Asm Cross Tapered 650 20 |
| 16 | 73800500 Nut Lock Hx W/ins 5/16-18 | 82 | 165711 Spring, Torsion |
| 18 | STD523710 Bolt Fin Hex 3/8-16UNC x 1 Gr 5 | 83 | 19171216 Washer 17/32 x 3/4 x 16 Ga. |
| 19 | STD541437 Nut | 84 | 166231 Link Transaxle |
| 21 | 106933X Knob | 85 | 150360 Nut, Nylock |
| 22 | 130804 Rod, Brake | 89 | 158391X428 Console, Shift, STLT |
| 24 | STD541237 Nut | 90 | 124346X Nut, Self-Thding, Wsh Hd 1/4 |
| 25 | 106888X Spring, Brake Rod | 96 | STD624003 Retainer Spring 1" |
| 26 | STD551037 Washer | 112 | 19091210 Washer 9/32 x 3/4 x 10 Gauge |
| 27 | STD561210 Pin | 113 | 127285X Strap Torque 90 Degrees |
| 28 | 175765 Rod, Parking Brake | 116 | 72140608 Bolt Rdhd Sqneck 3/8-16 x 1 |
| 29 | 71673 Cap, Parking Brake | 120 | 73900600 Nut Lock Flg. 3/8-16 |
| 30 | 169592 Bracket, Transaxle | 145 | 74490540 Bolt, Hex Flghd 5/16-18 Gr. 5 |
| 32 | STD523107 Bolt | 150 | 175456 Spacer Retainer |
| 34 | 175578 Shaft Assembly, Foot Pedal | 151 | 19133210 Washer 13/32 x 2 x 10 Ga. |
| 35 | 120183X Bearing, Nylon | 156 | 166002 Washer Srrted 5/16ID x 1.125 |
| 36 | STD551062 Washer | 158 | 165589 Bracket Shift Mount |
| 37 | STD571810 Roll Pin | 159 | 165494 Hub Tapered Flange Shift Lt |
| 38 | 179114 Pulley, Composite, Flat | 161 | 72140406 Bolt Rdhd Sqnk 1/4-20 x 3/4 Gr.5 |
| 39 | 74760648 Bolt, Fin Hex 3/8-16 x 3 | 162 | 73680400 Nut Crownlock 1/4-20 Unc |
| 41 | 175556 Keeper, Belt, Idler | 163 | 74780416 Bolt Hex Fin 1/4-20Unc x 1 Gr 5 |
| 47 | 127783 Pulley, Idler, V-Groove, Plastic | 164 | 19091010 Washer 5/8 x .281 x 10 Ga |
| 48 | 154407 Bellcrank Clutch Grnd Drv Stl | 165 | 165623 Bracket Pivot Lever |
| 49 | 123205X Retainer, Belt | 166 | 166880 Screw 5/16-18 x 5/8 |
| 50 | STD523715 Bolt Hex Hd 3/8-16 x 1-1/2 | 168 | 165492 Bolt Shoulder 5/16-18 x .561 |
| 51 | STD541437 Nut Crown Lock 3/8-16 UNC | 169 | 165580 Plate Fastening Lt |
| 52 | STD541431 Nut Crown Lock 5/16-18 UNC | 170 | 178394 Keeper Belt Transaxle Gear |
| 53 | 105710X Link, Clutch | 197 | 169613 Nyliner Snap-In |
| 55 | 105709X Spring, Clutch Return | 198 | 169593 Washer Nyliner |
| 56 | 17060620 Screw 3/8-16 x 1-1/4 | 202 | 72110614 Bolt Carr. SH 3/8-16 x 1-3/4 Gr. 5 |
| 57 | 130801 V-Belt, Ground Drive | 212 | 145212 Nut Hex Flg. Lock |
| 59 | 169691 Keeper, Belt, Center Span | | |
| 61 | 17120614 Screw 3/8-16 x .875 | | |
| 62 | 8883R Cover, Pedal | | |
| 63 | 175410 Pulley, Engine | | |

NOTE: All component dimensions given in U. S.
inches 1 inch = 25.4 mm

TRACTOR -- MODEL NUMBER 917.272453

STEERING



STEERING

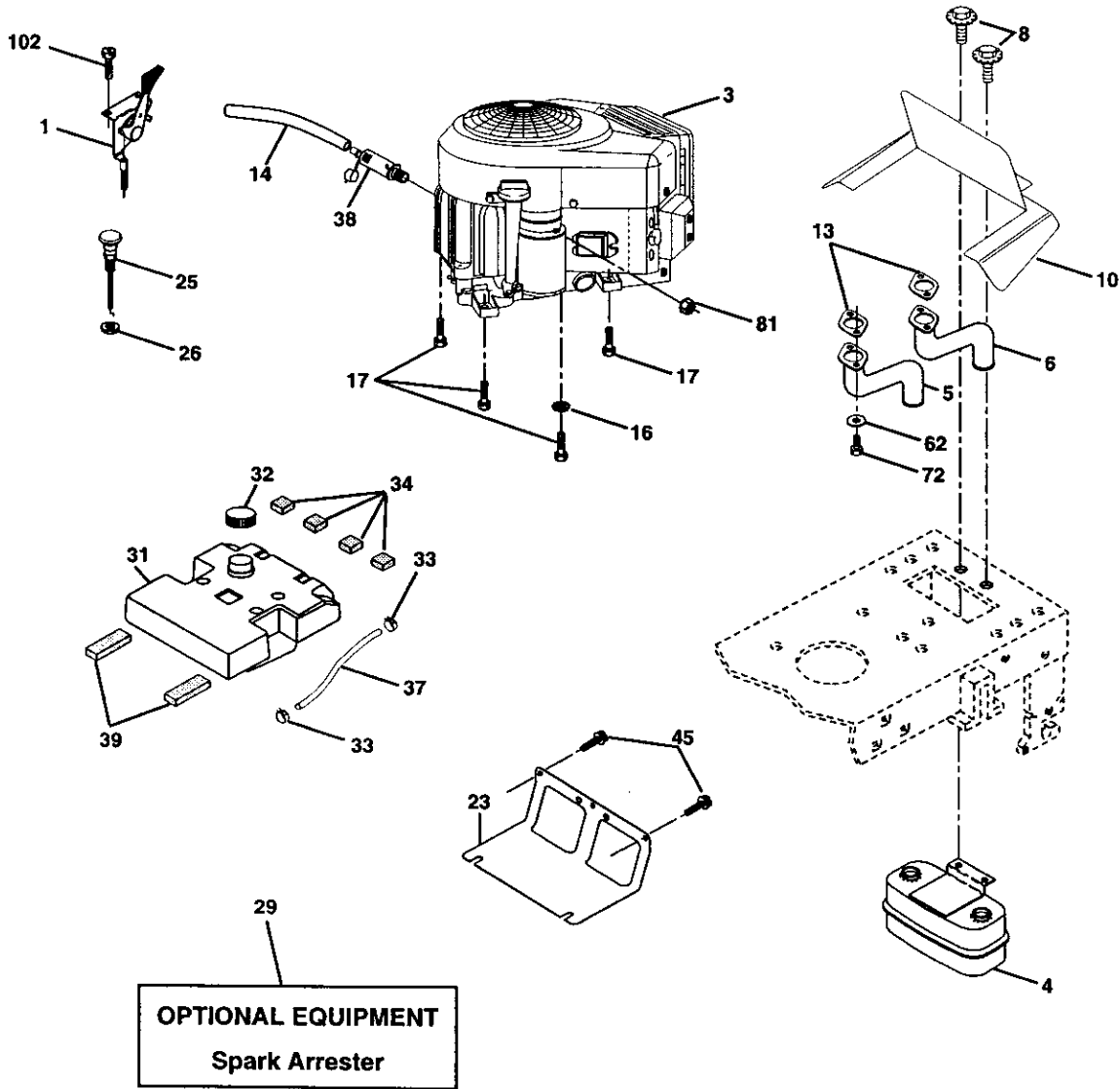
TRACTOR -- MODEL NUMBER 917.272453

| KEY NO. | PART NO. | DESCRIPTION |
|----------------|-----------------|-----------------------------------|
| 1 | 159944X428 | Steering Wheel |
| 2 | 172393 | Axle Assembly |
| 3 | 169840 | Spindle Assembly, L.H. |
| 4 | 169839 | Spindle Assembly, R.H. |
| 5 | 6266H | Bearing, Race, Thrust, Hardened |
| 6 | 121748X | Washer 25/32 x 1-5/8 x 16 Gauge |
| 8 | 12000029 | Ring, Klip |
| 10 | 175121 | Draglink |
| 11 | STD551137 | Washer, Lock |
| 12 | 73940800 | Nut Hex Jam Toplock 1/2-20 Unf |
| 13 | 136518 | Spacer, Bearing, Axle |
| 15 | 145212 | Nut, Hexflange Lock |
| 17 | 180641 | Shaft Assembly, Steering |
| 29 | 17060612 | Screw 3/8-16 x 3/4 |
| 32 | 171888 | Rod, Tie |
| 33 | 19111216 | Washer 11/32 x 3/4 x 16 Ga. |
| 34 | 10040500 | Washer Lock 5/16 |
| 35 | 73540500 | Crownlock Nut 5/16-24 Unf |
| 36 | 155099 | Bushing, Steering |
| 37 | 152927 | Screw |
| 38 | 159946X428 | Insert, Steering Wheel |
| 39 | 19182411 | Washer 9/16 ID x 1-1/2 OD 11 Ga. |
| 40 | STD541537 | Gripco Nut |
| 41 | 159945 | Adaptor, Steering Wheel |
| 42 | 145054X428 | Boot, Steering Shaft |
| 43 | 121749X | Washer 25/32 x 1-1/4 x 16 Ga. |
| 44 | 180640 | Extension Shaft Steering |
| 46 | 121232X | Cap, Spindle |
| 51 | 73540400 | Nut Crownlock 1/4-28 |
| 54 | 71130420 | Bolt Hex 1/4-28 Unf x 1-1/4 Gr. 8 |
| 65 | 160367 | Spacer Brace Axle |
| 67 | 72140618 | Bolt RDHD SQNK 3/8-16 x 2-1/4 |
| 68 | 169827 | Axle, Brace |
| 71 | 175146 | Steering Asm |
| 82 | 169835 | Bracket Susp Chassis Front |
| 87 | 173966 | Washer Flat .781 x 1-1/2 x .14 |
| 88 | 175118 | Bolt shoulder 7/16-20 |
| 91 | 175553 | Clip Steering |

NOTE: All component dimensions given in U. S.
inches 1 inch = 25.4 mm

TRACTOR -- MODEL NUMBER 917.272453

ENGINE



TRACTOR -- MODEL NUMBER 917.272453

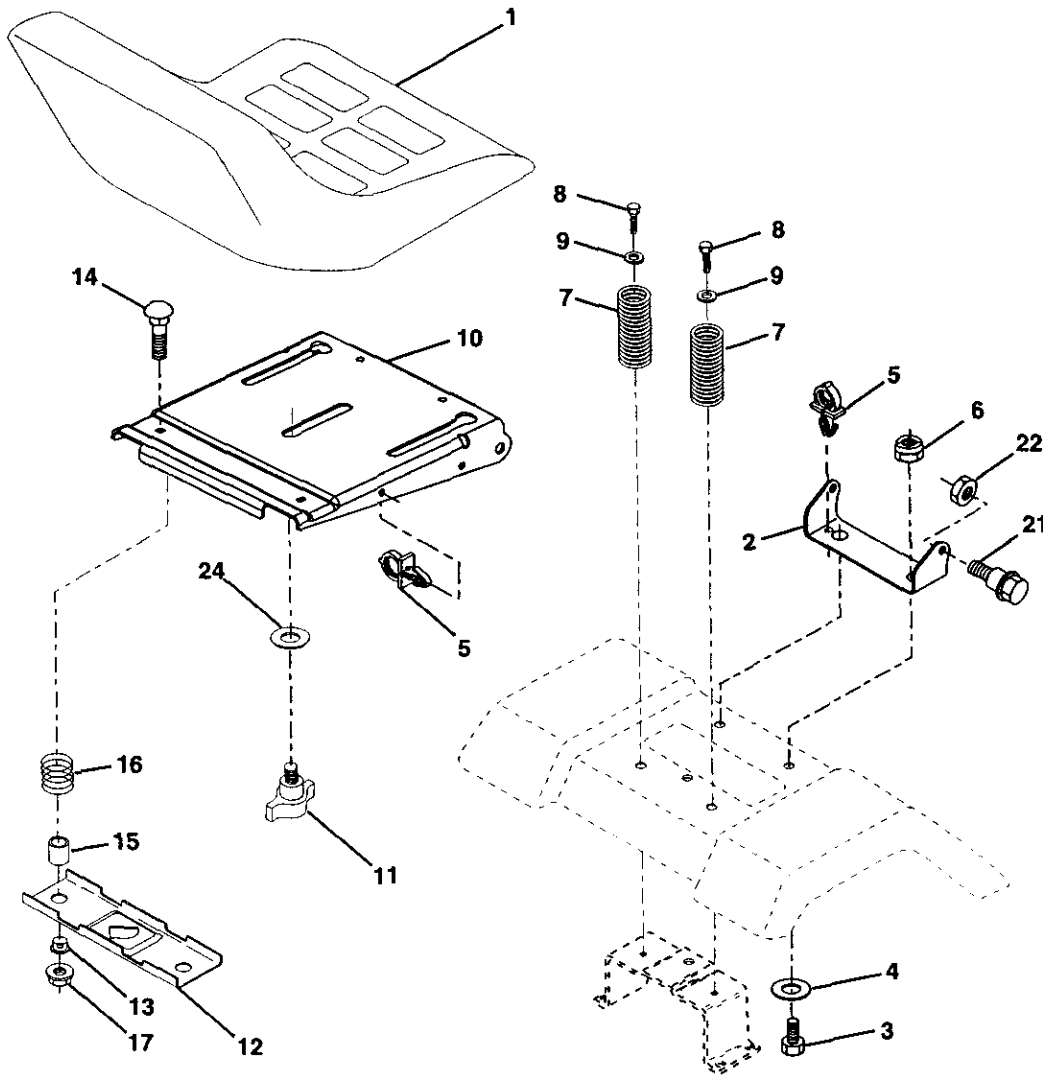
ENGINE

| KEY NO. | PART NO. | DESCRIPTION |
|------------|-------------|---|
| 1 | 170546 | Control, Throt Paddle |
| 3 | ----- | Engine, B&S, (See Breakdown) No. 445777-0172-E1 |
| 4 | 149723 | Muffler Exhaust |
| 5 | 159955 | Exhaust Asm. Left |
| 6 | 160589 | Exhaust Asm. Right |
| 8 | 171877 | Bolt 5/16-18unc x 3/4 W/Sems |
| 10 | 162797 | Heat Shield Lt |
| 13 | 165391 | Gasket, Muffler |
| 14 | 148456 | Tube Drain Oil Easy |
| 16 | STD551237 | Washer Lock Ext Tooth 3/8 |
| 17 | 17060624 | Screw 3/8-16 x 1-1/2 |
| 23 | 169837 | Shield, Brn/Dbr Guard |
| 25 | 145996 | Control Choke |
| 26 | 73920600 | Nut Keps 3/8-24 Unf |
| 29 | 137180 | Arrestor, Spark |
| 31 | 157103 | Tank, Fuel |
| 32 | 161696 | Cap Fuel Guage |
| 33 | 123487X | Clamp, Hose |
| 34 | 106082X | Spacer Pad |
| 37 | 8543R | Line, Fuel |
| 38 | 148315 | Plug, Oil Drain Easy |
| 39 | 109227X | Pad Idler |
| 45 | 17000612 | Screw Hex Wsh3/8-16 x 3/4 |
| 62 | 10040500 | Washer Lock 5/16 |
| 72 | 71070512 | Screw Hex 5/16-18 x 3/4 |
| 81 | 73510400 | Nut Keps Hex 1/4-20 Starter Nut |
| 102 | 17720408 | Screw, Hex Thd Cut 1/4-20 x 1/2 |

NOTE: All component dimensions given in U. S.
inches 1 inch = 25.4 mm

TRACTOR -- MODEL NUMBER 917.272453

SEAT ASSEMBLY



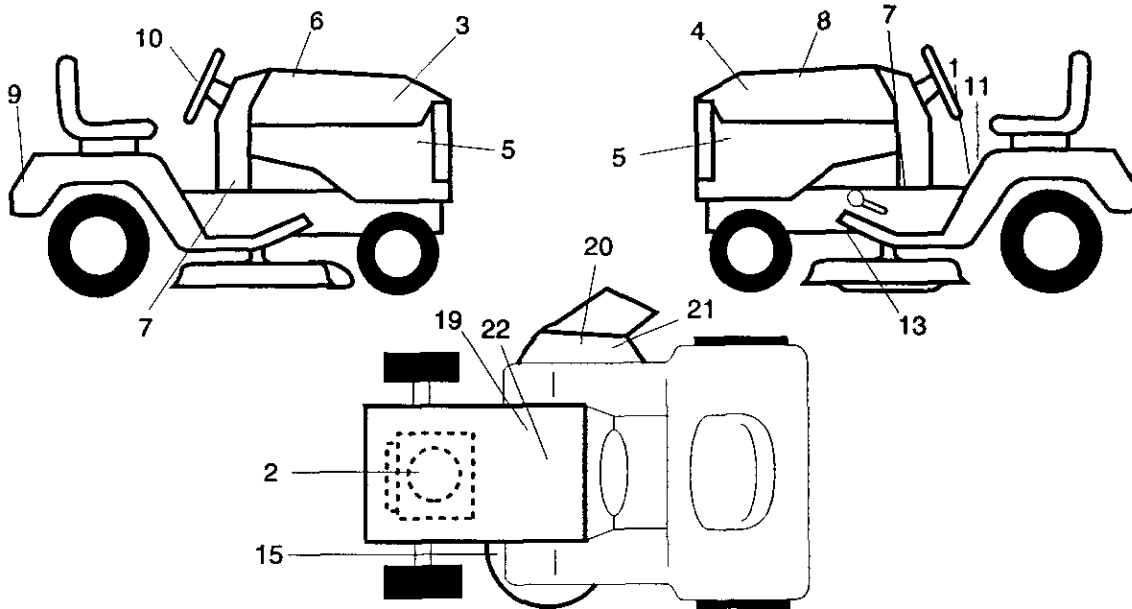
| KEY PART NO. | NO. | DESCRIPTION |
|--------------|-----------|-----------------------------|
| 1 | 180597 | Seat |
| 2 | 180166 | Bracket, Pivot, Seat |
| 3 | 71110616 | Bolt |
| 4 | 19131610 | Washer 13/32 x 1 x 10 Gauge |
| 5 | 145006 | Clip, Push-In Hinged |
| 6 | STD541437 | Nut |
| 7 | 124181X | Spring, Seat |
| 8 | 17000616 | Screw 3/8-16 x 1-1/2 |
| 9 | 19131614 | Washer 13/32 x 1 x 14 Gauge |
| 10 | 180186 | Pan, Seat |
| 11 | 166369 | Knob Seat |
| 12 | 121246X | Bracket, Switch Mounting |

| KEY PART NO. | NO. | DESCRIPTION |
|--------------|-----------|--------------------------------|
| 13 | 121248X | Bushing, Snap |
| 14 | 72050412 | Bolt, Carriage 1/4-20 x 1-1/2 |
| 15 | 134300 | Spacer, Split .28 x .88 |
| 16 | 121250X | Spring |
| 17 | 123976X | Locknut, Flange 1/4 Grade 5 |
| 21 | 171852 | Bolt, Shoulder 5/16-18 UNC |
| 22 | STD541431 | Nut |
| 24 | 19171912 | Washer 17/32 x 1-3/16 x 12 Ga. |

NOTE: All component dimensions given in U.S. inches 1 inch = 25.4 mm

TRACTOR -- MODEL NUMBER 917.272453

DECALS



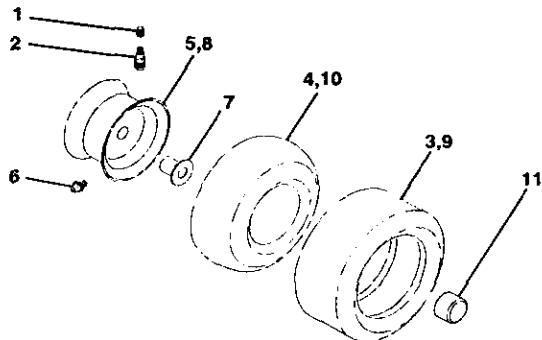
KEY PART NO. NO.

| KEY PART NO. | NO. | DESCRIPTION |
|--------------|--------|----------------------------------|
| 1 | 156439 | Decal, Fender Danger Sears |
| 2 | 181569 | Decal, Engine |
| 3 | 177356 | Decal, Hood, R.H. |
| 4 | 177357 | Decal, Hood, L.H. |
| 5 | 177355 | Decal, Hood Side |
| 6 | 133644 | Decal, Maintenance |
| 7 | 181703 | Decal, Lower Dash |
| 8 | 181428 | Decal, Rplcmnt |
| 9 | 163204 | Decal, Fender, Craftsman White |
| 10 | 164065 | Decal, Strng Whl Domed |
| 11 | 156368 | Decal, Fender STLT Oper Inst E/S |

KEY PART NO. NO.

| KEY PART NO. | NO. | DESCRIPTION |
|--------------|------------|------------------------------|
| 13 | 146046 | Decal, V-Belt Dr Sch Tractor |
| 15 | 160396 | Decal, Mower Drive Schematic |
| 19 | 138047 | Decal, Battery Diehard Sears |
| 20 | 172331 | Decal, Deck Sears |
| 21 | 179128 | Decal, Deck |
| 22 | 149516 | Decal, Battery |
| -- | 138311 | Decal, Lift Handle |
| -- | 165800X428 | Pad Footrest LH STLT |
| -- | 165799X428 | Pad Footrest RH STLT |
| -- | 183535 | Owner's Manual, English |
| -- | 183536 | Owner's Manual, Spanish |

WHEELS AND TIRES



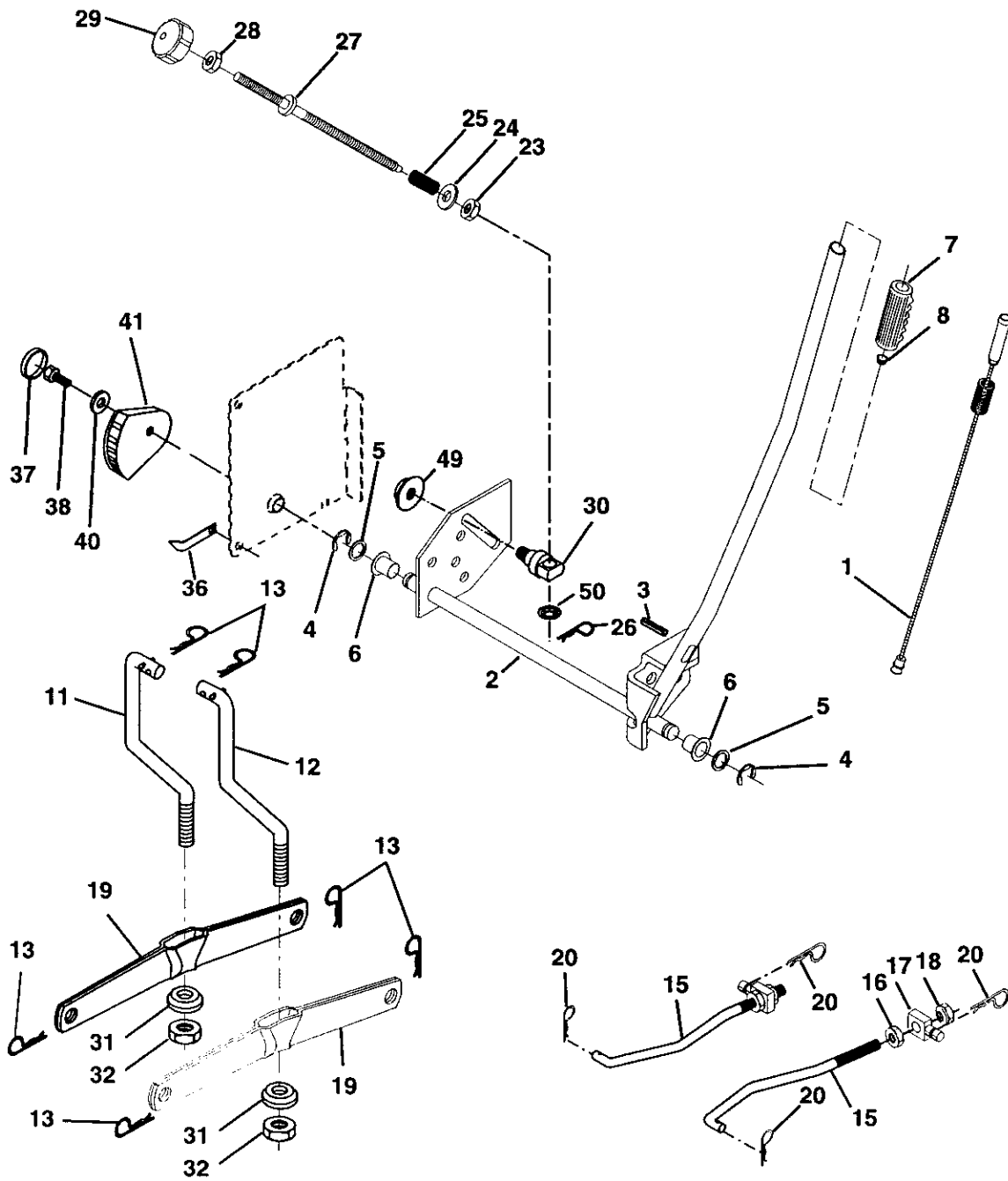
KEY PART NO. NO.

| KEY PART NO. | NO. | DESCRIPTION |
|--------------|------------|---|
| 1 | 59192 | Valve Cap, Tire |
| 2 | 65139 | Stem, Valve |
| 3 | 106222X | Tire, Front |
| 4 | 59904 | Tube, Front Tire (Not Provided, Service Item Only) |
| 5 | 106732X427 | Rim, Front |
| 6 | 278H | Fitting, Grease (Front Wheel Only) |
| 7 | 9040H | Bearing, Flange (Front Wheel Only) |
| 8 | 106108X427 | Rim, Rear |
| 9 | 122082X | Tire, Rear |
| 10 | 7152J | Tube, Rear Tire (Not Provided, Service Item Only) |
| 11 | 104757X428 | Cap, Axle |

NOTE: All component dimensions given in U. S. inches 1 inch = 25.4 mm

TRACTOR -- MODEL NUMBER 917.272453

LIFT ASSEMBLY



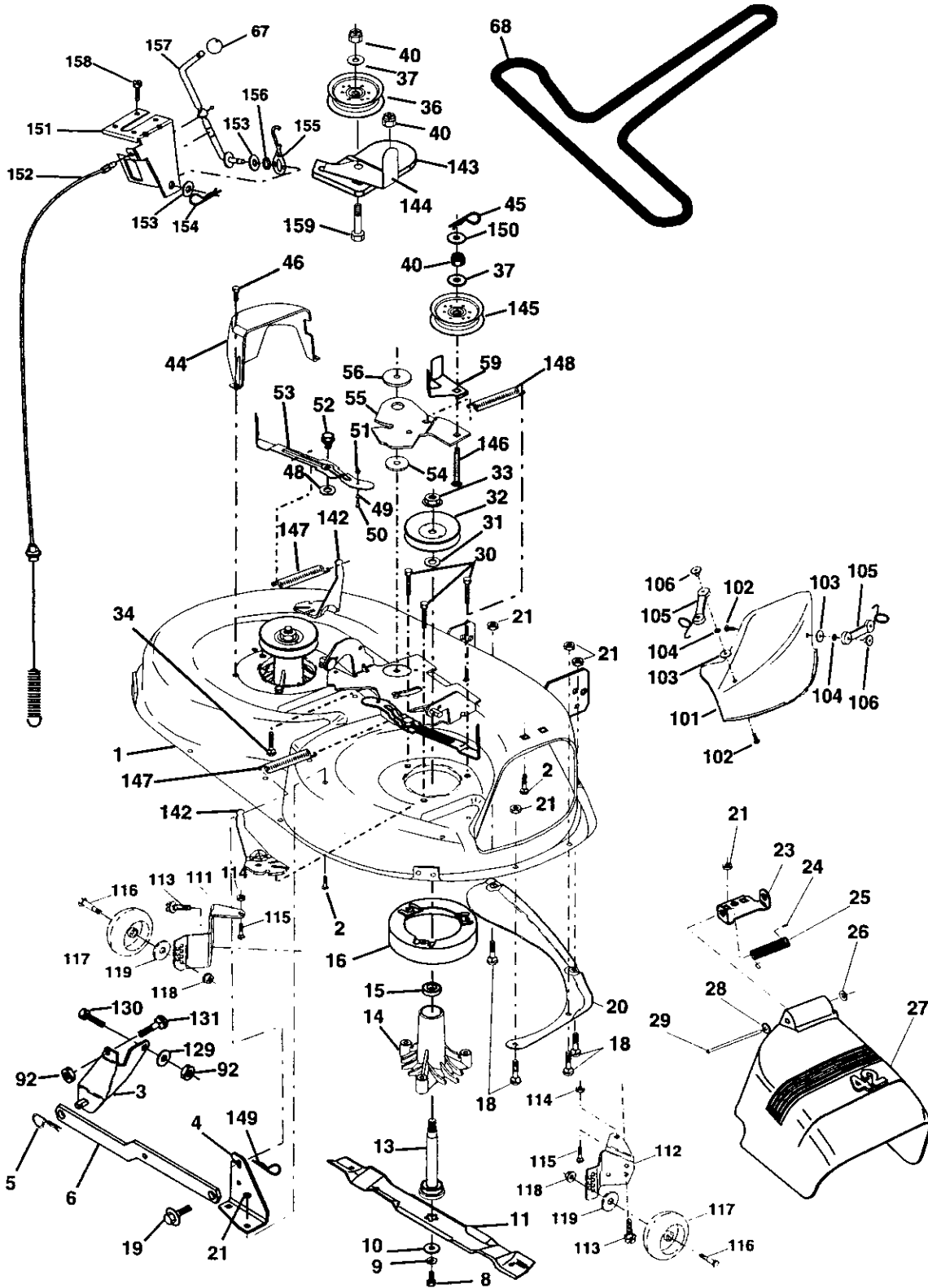
LIFT ASSEMBLY **TRACTOR -- MODEL NUMBER 917.272453**

| KEY PART NO. | NO. | DESCRIPTION |
|-------------------------|------------|----------------------------------|
| 1 | 159460 | Wire Asm Inner/Sprg W/plunger LT |
| 2 | 159471 | Shaft Asm Lift RH w/Inf |
| 3 | 105767X | Pin Groove 1 500 Zinc |
| 4 | 12000002 | E Ring #5133-62 |
| 5 | 19211621 | Washer 21/32 X 1 X 21 Ga |
| 6 | 120183X | Bearing Nylon Blk 629 Id |
| 7 | 125631X | Grip Handle |
| 8 | 122365X | Button Plunger Yellow |
| 11 | 139865 | Link Lift LH Fixed Length |
| 12 | 139866 | Link Lift RH Fixed Length |
| 13 | 4939M | Retainer Spring |
| 15 | 173288 | Link Front |
| 16 | 73350800 | Nut Jam Hex 1/2-13 Unc |
| 17 | 175689 | Trunnion Blk Zinc |
| 18 | 73800800 | Nut Lock w/Wsh 1/2-13 Unc |
| 19 | 139868 | Arm Suspension Rear |
| 20 | 163552 | Retainer Spring |
| 23 | 110807X | Nut Special |
| 24 | 19131016 | Washer 13/32 X 5/8 X 16 Ga |
| 25 | 2876H | Spring 2-1/8" |
| 26 | 169484 | Retainer Clip |
| 27 | 126971X | Rod Adj Lift Zinc 7.49 Wrk Lg |
| 28 | 73350600 | Nut Hex Jam 3/8-16 Unc |
| 29 | 138057 | Knob Inf 3/8-16 Unc Blk W/sym |
| 30 | 150233 | Trunnion Infin Height |
| 31 | 169865 | Bearing Pvt Lift |
| 32 | 73540600 | Nut Crownlock 3/8 - 24 |
| 36 | 155097 | Pointer Height Indicator |
| 37 | 123935X | Plug Hole Blk 1.485/1.515 Dia. |
| 38 | 17060516 | Screw Thdrol 5/16-18 x 1 |
| 40 | 19112410 | Washer 11/32 x 1-1/2 10 Ga. |
| 41 | 155098 | Indicator Height STLT |
| 49 | 145212 | Nut Hex Flange Lock |
| 50 | 110452X | Nut PUSh Phos & Oil |

NOTE: All component dimensions given in U. S.
inches 1 inch = 25.4 mm

TRACTOR -- MODEL NUMBER 917.272453

MOWER DECK



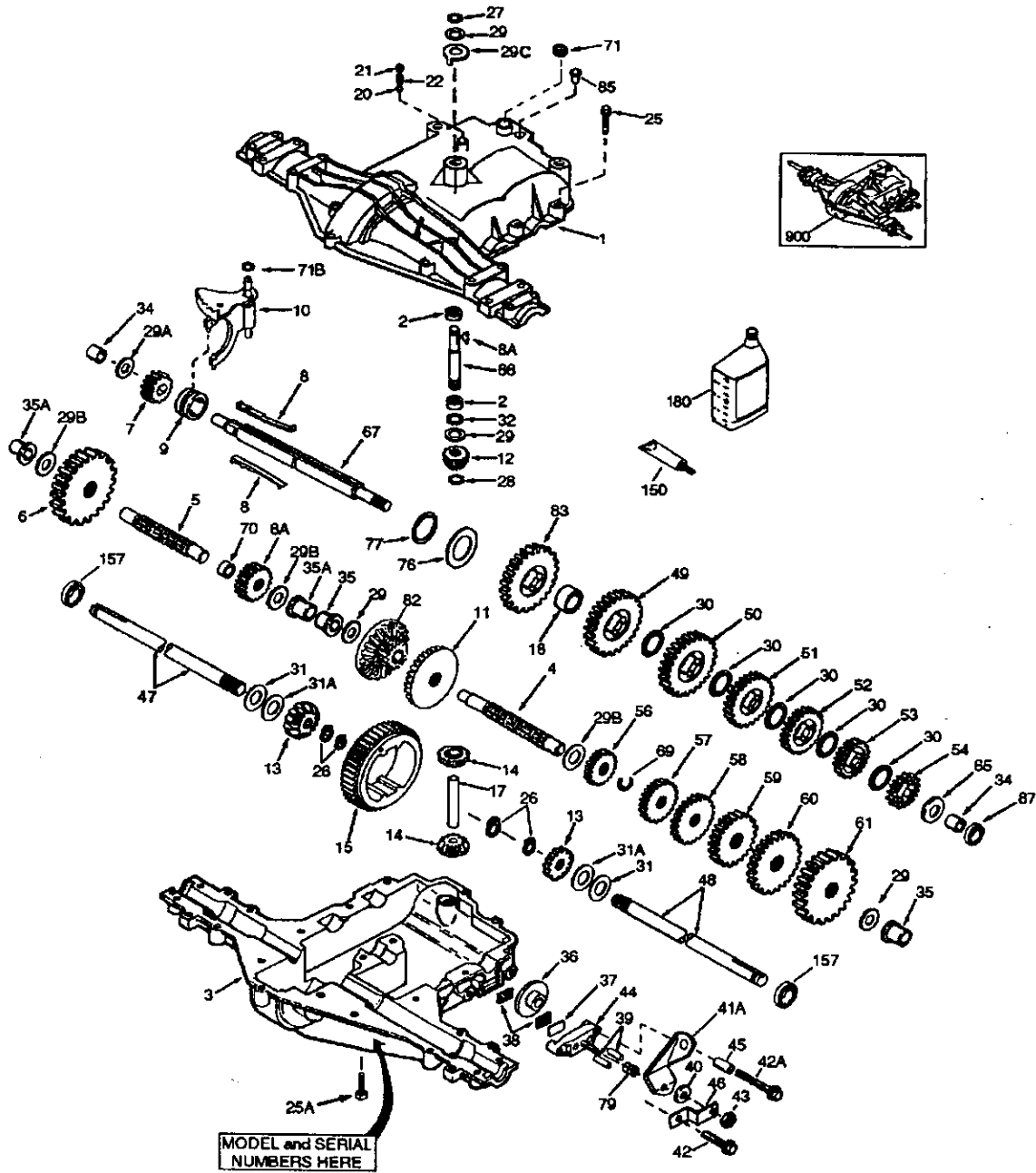
TRACTOR -- MODEL NUMBER 917.272453

MOWER DECK

| KEY PART NO. NO. | DESCRIPTION | KEY PART NO. NO. | DESCRIPTION | | |
|---------------------|-------------|--------------------------------------|-------------|-----------|---|
| 1 | 165892 | Mower Deck Assembly, 42" | 67 | 149846 | Knob Custom Oval |
| 2 | STD533107 | Bolt | 68 | 144959 | V-Belt |
| 3 | 138017 | Bracket Assembly, Sway Bar, Front | 92 | STD541437 | Nut |
| 4 | 165460 | Bracket Sway Bar 38/42" Deck | 101 | 136420 | Mulcher Cover |
| 5 | STD624008 | Retainer Spring | 102 | 71081010 | Screw Pan HD Phillip 10-24 x 5/8 |
| 6 | 178024 | Bar Sway Deck | 103 | 19061216 | Washer #10 |
| 8 | 850857 | Bolt, Hex 3/8-24 x 1.25 Gr. 8 | 104 | STD551110 | Washer, Lock |
| 9 | STD551137 | Washer, Lock | 105 | 160793 | Latch Assembly, Bagger |
| 10 | 140296 | Washer, Hardened | 106 | 2029J | Nut, Weld |
| 11 | 134149 | Blade, Mulching | 111 | 179292 | Bracket, Gauge, Wheel L.H. |
| 13 | 137645 | Shaft Assembly, Mandrel, Vented | 112 | 179293 | Bracket, Gauge, Wheel R.H. |
| 14 | 128774 | Housing, Mandrel, Vented | 113 | 17060510 | Screw 3/8-16 x .625 |
| 15 | 110485X | Bearing, Ball, Mandrel | 114 | STD541431 | Nut, Hex, Keps 5/16-18 UNC |
| 16 | 174493 | Stripper, Mower Deck | 115 | 72110505 | Bolt, Carriage 5/16 UNC x 5/8 |
| 18 | 72140505 | Bolt, Carriage 5/16-18 x 5/8 | 116 | 4898H | Bolt, Shoulder |
| 19 | 132827 | Bolt, Shoulder | 117 | 165746 | Wheel, Gauge |
| 20 | 159770 | Baffle, Vortex | 118 | 73930600 | Nut, Centerlock 3/8-16 |
| 21 | STD541431 | Nut Crownlock 5/16-18 UNC | 119 | STD551037 | Washer 3/8 x 7/8 x 14 Gauge |
| 23 | 177563 | Bracket, Deflector | 129 | 19131312 | Washer 13/32 x 13/16 x 12 Ga. |
| 24 | 105304X | Cap, Sleeve | 130 | STD523710 | Bolt, Fin Hex 3/8-16 UNC x 1 Gr. 5 |
| 25 | 123713X | Spring, Torsion, Deflector | 131 | STD533710 | Bolt, Rdhd Sqnk 3/8-16UNC x 1 |
| 26 | 110452X | Nut, Push | 142 | 165890 | Arm Spring Brake Mower |
| 27 | 130968X428 | Shield, Deflector | 143 | 157109 | Bracket Arm Idler 42" |
| 28 | 19111016 | Washer 11/32 x 5/8 x 16 Ga. | 144 | 158634 | Keeper Belt 42" Clutch Cable |
| 29 | 131491 | Rod, Hinge | 145 | 165888 | Pulley Idler Flat |
| 30 | 173984 | Screw Thdrol Washer Head | 146 | 171977 | Bolt Carriage Idler |
| 31 | 129963 | Washer, Spacer | 147 | 179748 | Spring Extension |
| 32 | 153535 | Pulley, Mandrel | 148 | 169022 | Spring Return Idler |
| 33 | 178342 | Nut, Toplock, Flanged | 149 | 165898 | Retainer Spring Yellow Zinc |
| 34 | STD533717 | Bolt | 150 | 19091216 | Washer 9/32 x 3/4 x 16 Ga. |
| 36 | 131494 | Pulley, Idler, Flat | 151 | 169670 | Bracket Clutch |
| 37 | STD551037 | Washer 13/32 x 13/16 x 16 Gauge | 152 | 169676 | Cable Clutch 42 In |
| 40 | STD541437 | Nut Crownlock 3/8-16 UNC | 153 | 169674 | Washer Flat 3/8" Type B |
| 44 | 140088 | Guard, Mandrel, L.H. | 154 | 169675 | Spring Retainer |
| 45 | STD624003 | Retainer | 155 | 169671 | Spring Retention Lever |
| 46 | 137729 | Screw, Thd. Roll 1/4-20 x 5/8 | 156 | 169672 | Spacer |
| 48 | 133944 | Washer, Hardened | 157 | 169669 | Rod Clutch |
| 49 | 174284 | Roller Assembly, Cam Follower | 158 | 17720408 | Screw Hex Thd Cut 1/4-20 x 1/2 |
| 50 | 131340 | Bolt, Shoulder #10-24 Grade 5 | 159 | STD533717 | Bolt Rdhd Sqn 3/8-16Unc x 1-3/4 |
| 51 | STD541410 | Locknut | -- | 130794 | Mandrel Assembly (Includes Housing, Shaf and Shaft Hardware Only-Pulley not included) |
| 52 | 139888 | Bolt, Shoulder 5/16-18 UNC | -- | 169583 | Replacement Mower, Complete |
| 53 | 131845 | Arm Assembly, Pad, Brake | | | |
| 54 | 133943 | Washer, Hardened | | | |
| 55 | 155046 | Arm, Idler | | | |
| 56 | 165723 | Spacer, Retainer | | | |
| 59 | 141043 | Guard, TUV Idler | | | |

NOTE: All component dimensions given in U. S.
inches 1 inch = 25.4 mm

TRACTOR -- MODEL NUMBER 917.272453
PEERLESS TRANSAXLE--MODEL NUMBER 206-545C

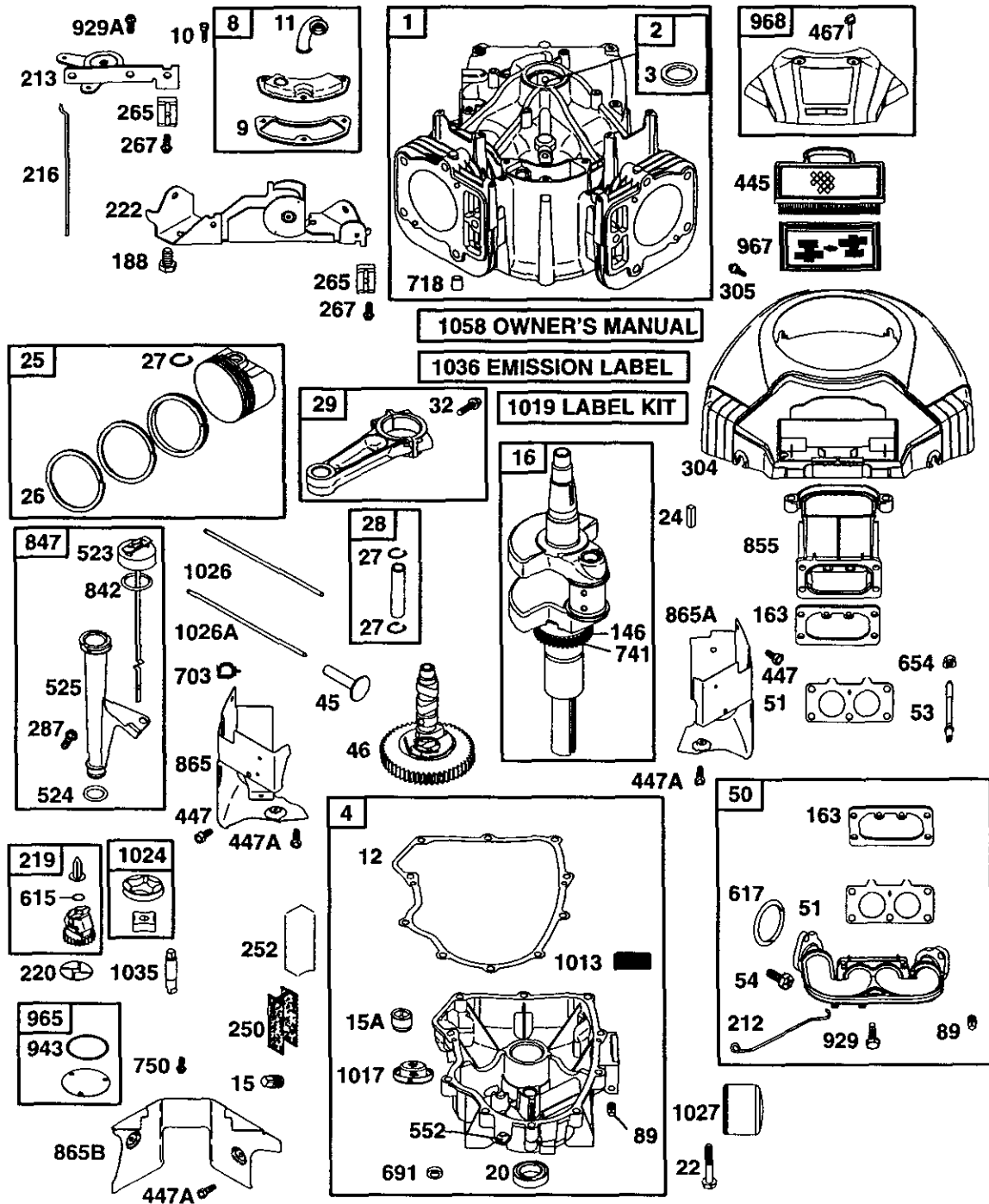


TRACTOR -- MODEL NUMBER 917.272453
PEERLESS TRANSAXLE--MODEL NUMBER 206-545C

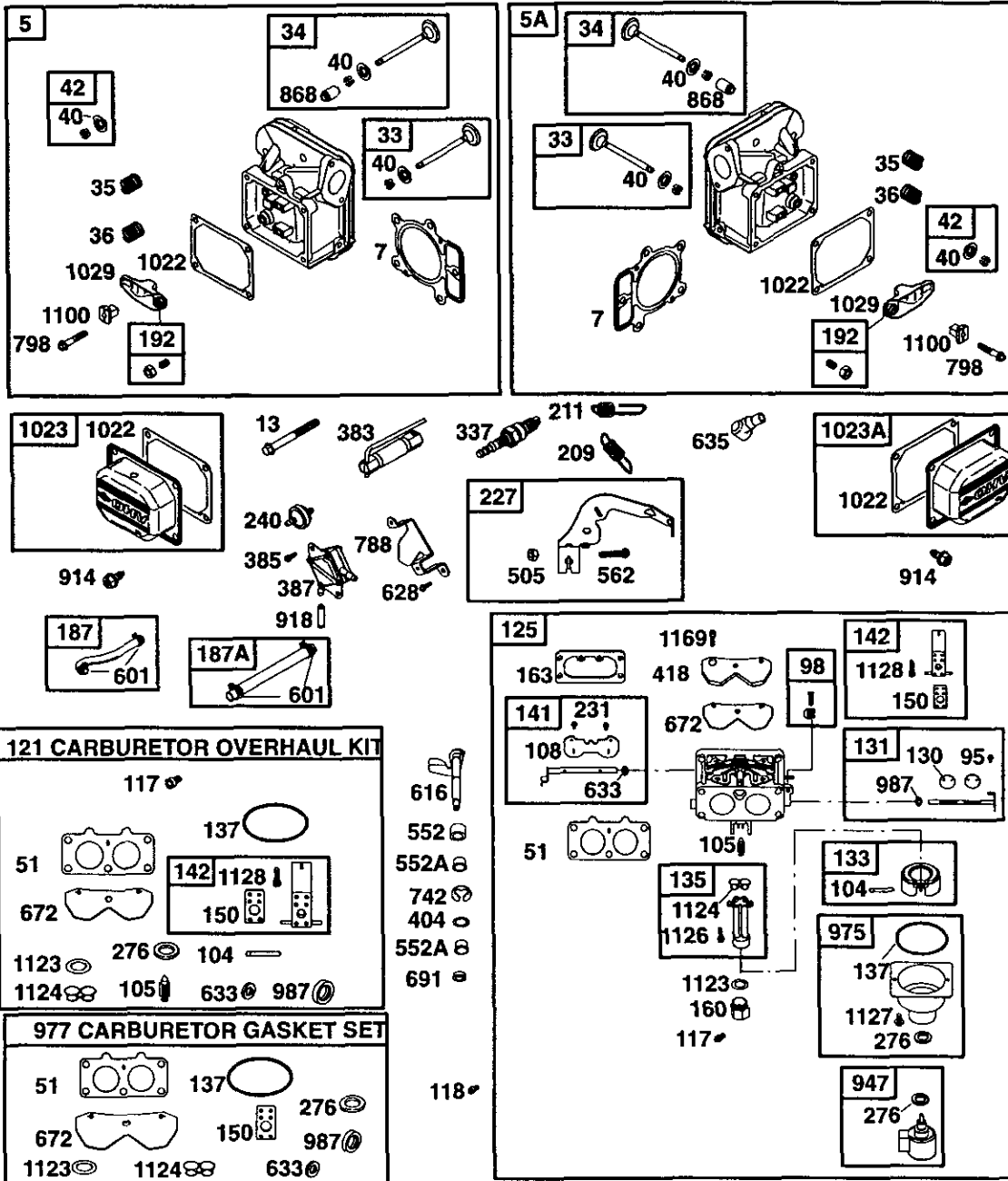
| KEY PART NO. | NO. | DESCRIPTION | KEY PART NO. | NO. | DESCRIPTION |
|--------------|---------|--|--------------|---------|---------------------------------------|
| 1 | 772147 | Transaxle Cover | 39 | 786026 | Dowel Pin |
| 2 | 780086A | Needle Bearing 5/8" | 40 | 792076A | Flat Washer |
| 3 | 770128 | Transaxle Case | | | .312 ID x .059W |
| 4 | 776395 | Countershaft | 41A | 790079 | Brake Lever |
| 5 | 776409 | Output Shaft | 42 | 792073A | Screw 1/4 - 20 x 1-1/4" |
| 6 | 778364 | Spur Gear (38 teeth) | 42A | 792085A | Screw 1/4 - 20 x 2 1/4" |
| 6A | 778369 | Spur Gear (15 teeth) | 43 | 792075 | Locknut 5 / 16 - 24 |
| 7 | 778330 | Spur Gear (11 teeth) | 44 | 790025 | Brake Pad Holder |
| 8 | 792180 | Shift Key | 45 | 786066 | Spacer .2625 x 1.0 |
| 8A | 792047 | Woodruff Key #9 | 46 | 786086 | Brake Lever Bracket |
| 9 | 784352 | Shift Collar | 47 | 774690 | Axle (11-15 / 16" Long) |
| 10 | 784378 | Shift Rod & Fork | 48 | 774691 | Axle (16 - 1 / 2" long) |
| 11 | 778334 | Bevel Gear (30 teeth) | 49 | 778356 | Spur Gear (29 teeth) |
| 12 | 778309 | Input Bevel Pinion (13 teeth) | 50 | 778338 | Spur Gear (27 teeth) |
| 13 | 778368 | Bevel Gear (13 teeth) (Include. 14) | 51 | 778354 | Spur Gear (23 teeth) |
| 14 | 778368 | Bevel Pinion (13 teeth) (Include. 13) | 52 | 778352 | Spur Gear (19 teeth) |
| 15 | 778370 | Ring Gear (43 teeth) | 53 | 778350 | Spur Gear (16 teeth) |
| 17 | 786188 | Drive Pin | 54 | 778346 | Spur Gear (15 teeth) |
| 18 | 786102 | Spacer 1.130 X .695 | 56 | 778355 | Spur Gear (11 teeth) |
| 20 | 792077A | Ball 5/16" dia | 57 | 778337 | Spur Gear (13 teeth) |
| 21 | 792078 | Set Screw 3/8 - 16 x 3/8" | 58 | 778353 | Spur Gear (17 teeth) |
| 22 | 792079 | Spring .310 OD x .625 L | 59 | 778351 | Spur Gear (21 teeth) |
| 25 | 792073A | Screw 1/4 - 20 x 1-1/4" | 60 | 778349 | Spur Gear (24 teeth) |
| 25A | 792177 | Screw 1/4-20 x 1-3/8" | 61 | 778345 | Spur Gear (25 teeth) |
| 26 | 792125 | Retaining Ring (pkg of 2) | 65 | 780189 | Flat Washer |
| 27 | 792035 | Retaining Ring | | | .563 ID x .062W |
| 28 | 788040 | Retaining Ring | 66 | 776422 | Input Shaft |
| 29 | 780072 | Thrust Washer | 67 | 776396 | Shifter & Brake Shaft |
| | | .627 ID x .031W | 69 | 792170 | Retaining Ring |
| 29A | 780160 | Thrust Washer | 70 | 786187 | Spacer .890 |
| | | .762 ID x .031W | 71 | 788069 | Square Cut Ring |
| 29B | 780051 | Thrust Washer | 71B | 788092 | "O" Ring |
| | | .762 ID x .031W | 76 | 780090 | Flat Washer |
| 29C | 780199 | Anti-Rotation Washer .632 | | | 1.128 ID x .058W |
| 30 | 780108 | Cup Washer | 77 | 788078A | Inverted Retaining Ring |
| | | 1.127 ID x .032W | 79 | 792144 | Spring .430 OD x .5000 L |
| 31 | 780001 | Flat Washer .750 ID x .056W (Use As Needed) | 82 | 778333 | Bevel & Spur Gear (30 & 13 teeth) |
| 31A | 780195 | Flat Washer | 83 | 778338 | Spur Gear (27 teeth) |
| | | .750 ID x .062W | 85 | 792154 | Oil Fill Plug |
| 32 | 788083 | Oil Seal 5/8" | 87 | 788089A | Oil Seal 9 / 16" |
| 34 | 780194 | Bushing .563 | 150 | 788093A | Liquid Gasket RTV Silicone |
| 35 | 780193 | Flanged Bushing 5 / 8" ID | 157 | 788088A | Oil Seal 3 / 4" |
| 35A | 780197 | Flanged Bushing .751 | 180 | 730229A | Gear Oil 80W90 |
| 36 | 790075 | Brake Disk | 900 | 794712 | Replacement MST 206-545C Transaxle |
| 37 | 790007 | Brake Pad Plate | | | |
| 38 | 799021 | Brake Pad (pkg of 2) | | | |

**NOTE: All component dimensions given in
U.S. inches 1 inch = 25.4 mm**

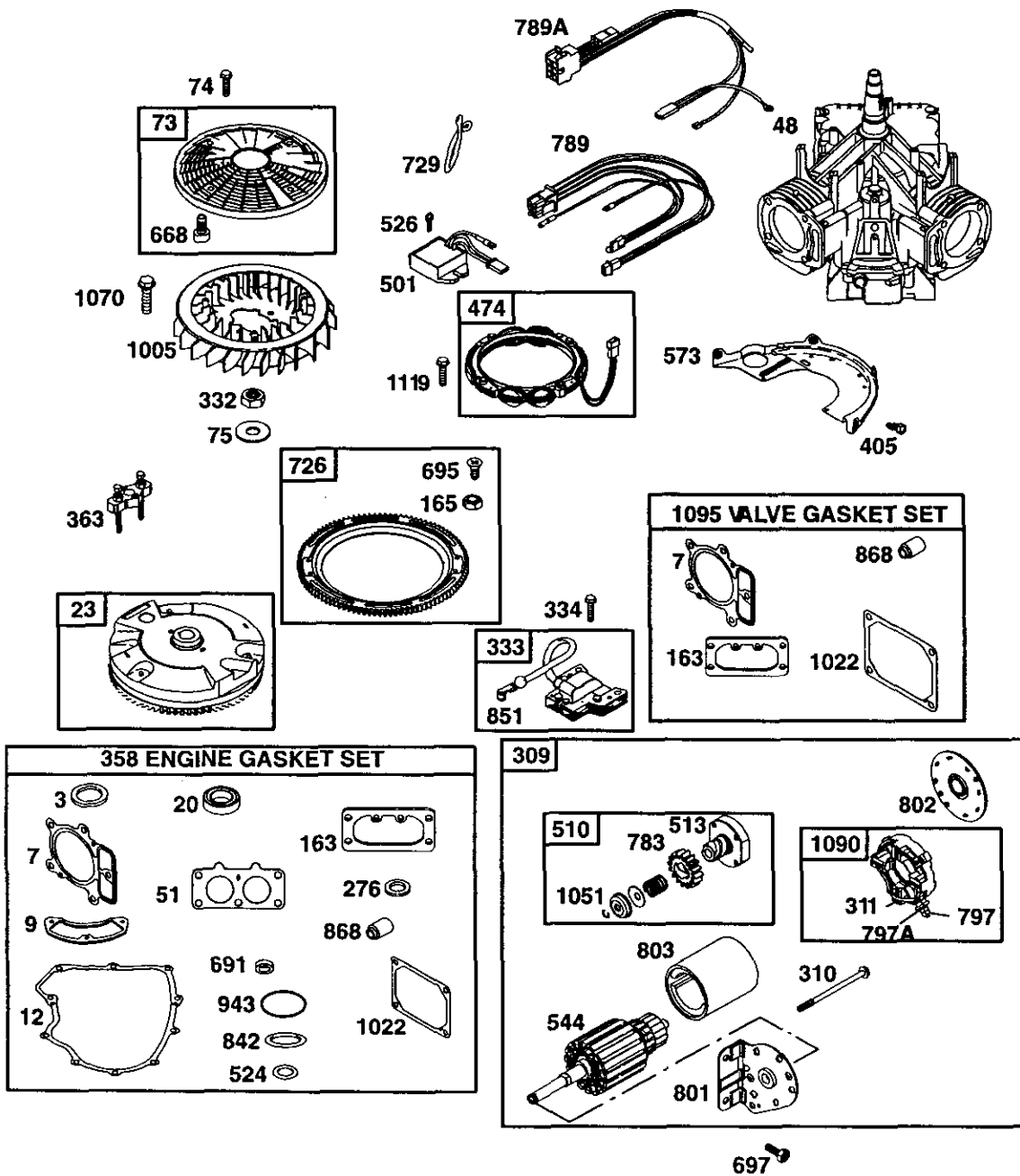
**TRACTOR -- MODEL NUMBER 917.272453
BRIGGS & STRATTON ENGINE-MODEL NUMBER 445777, TYPE NUMBER 0172-E1**



TRACTOR -- MODEL NUMBER 917.272453
BRIGGS & STRATTON ENGINE-MODEL NUMBER 445777, TYPE NUMBER 0172-E1



TRACTOR -- MODEL NUMBER 917.272453
BRIGGS & STRATTON ENGINE-MODEL NUMBER 445777, TYPE NUMBER 0172-E1



TRACTOR -- MODEL NUMBER 917.272453
BRIGGS & STRATTON ENGINE-MODEL NUMBER 445777, TYPE NUMBER 0172-E1

| KEY NO. | PART NO. | DESCRIPTION | KEY NO. | PART NO. | DESCRIPTION |
|---------|----------|---|---------|---|------------------------------------|
| 1 | 694001 | Cylinder Assembly | 125 | 499804 | Carburetor |
| 2 | 499585 | Kit-Bushing/Seal (Magneto Side) | 130 | 690993 | Valve-Throttle |
| 3 | 391086 | • Seal-Oil (Magneto Side) | 131 | 499805 | Kit-Throttle Shaft |
| 4 | 690069 | Sump-Engine | 133 | 499806 | Float-Carburetor |
| 5 | 693998 | Head-Cylinder (Cylinder 1) | 135 | 499803 | Tube-Fuel Transfer |
| 5A | 693999 | Head-Cylinder (Cylinder 2) | 137 | 690994 | Ø‡ Gasket-Float Bowl |
| 7 | 693997 | •+ Gasket-Cylinder Head | 141 | 499807 | Kit-Choke Shaft |
| 8 | 499601 | Breather Assembly | 142 | 499808 | Ø Nozzle-Carburetor |
| 9 | 690937 | • Gasket-Breather | 146 | 690979 | Key-Timing |
| 10 | 690960 | Screw (Breather Assembly) | 150 | 690995 | Ø‡ Gasket-Nozzle |
| 11 | 690942 | Tube-Breather | 160 | 690996 | Retainer-Solenoid |
| 12 | 690945 | • Gasket-Crankcase | 163 | 691001 | •+ Gasket-Air Cleaner |
| 13 | 690360 | Screw (Cylinder Head) | 165 | 693148 | Nut (Ring Gear) |
| 15 | 690946 | Plug-Oil Drain | 187 | 693180 | Line-Fuel |
| 15A | 691680 | Plug-Oil Drain | 187A | 691050 | Line-Fuel (Cut to Required Length) |
| 16 | 691046 | Crankshaft | 188 | 690960 | Screw (Control Bracket) |
| 20 | 690947 | • Seal-Oil (PTO Side) | 192 | 690083 | Adjuster-Rocker Arm |
| 22 | 694966 | Screw (Crankcase Cover) | 209 | 691018 | Spring-Governor |
| 23 | 691053 | Flywheel | 211 | 691019 | Spring-Governed Idle |
| 24 | 222698 | Key-Flywheel | 212 | 695238 | Link-Governor |
| 25 | 694003 | Piston Assembly (Standard) | 213 | 691021 | Bracket-Choke Control |
| | 694005 | Piston Assembly (.010" Oversized) | 216 | 691022 | Link-Choke |
| | 694007 | Piston Assembly (.020" Oversized) | 219 | 696376 | Gear-Governor |
| | 694009 | Piston Assembly (.030" Oversized) | 220 | 690412 | Washer (Governor Gear) |
| 26 | 694004 | Ring Set (Standard) | 222 | 691023 | Bracket-Control |
| | 694006 | Ring Set (.010" Oversized) | 227 | 691048 | Lever-Governor Control |
| | 694008 | Ring Set (.020" Oversized) | 231 | 690718 | Screw (Choke Valve) |
| | 694010 | Ring Set (.030" Oversized) | 240 | 691035 | Filter-Fuel |
| 27 | 690975 | Lock-Piston Pin | 250 | 690957 | Retainer-Breather |
| 28 | 690229 | Pin-Piston (Standard) | 252 | 690956 | Collector-Oil |
| 29 | 499583 | Rod-Connecting (Standard) | 265 | 691024 | Clamp-Casing |
| 32 | 690976 | Screw (Connecting Rod) | 267 | 695134 | Screw (Casing Clamp) |
| 33 | 499596 | Valve-Exhaust | 276 | 690997 | Ø‡ Washer-Sealing |
| 34 | 499597 | Valve-Intake | 287 | 690960 | Screw(Dipstick/Tube Assembly) |
| 35 | 690963 | Spring-Valve (Intake) | 304 | 695277 | Housing-Blower |
| 36 | 690963 | Spring-Valve (Exhaust) | 305 | 691005 | Screw (Blower Housing) |
| 40 | 690964 | Retainer-Valve | 309 | 691262 | Motor-Starter |
| 42 | 499586 | Keeper-Valve | 310 | 691263 | Screw (Starter Motor) |
| 45 | 690977 | Tappet-Valve | 311 | 497608 | Brush Set |
| 46 | 690978 | Camshaft | 332 | 691059 | Nut (Flywheel) |
| 48 | 693893 | Short Block (Replacement Engine 445777-0027-E2) | 333 | 691060 | Armature-Magneto |
| 50 | 695241 | Manifold-Intake | 334 | 691061 | Screw (Magneto Armature) |
| 51 | 690950 | Ø‡ Gasket-Intake | 337 | 691043 | Sparkplug |
| 53 | 690951 | Stud (Carburetor) | 358 | 694012 | Gasket Set-Engine |
| 54 | 695240 | Screw (Intake Manifold) | 363 | 691062 | Puller-Flywheel |
| 73 | 691055 | Screen-Rotating | 383 | 690966 | Wrench-Sparkplug |
| 74 | 691057 | Screw (Rotating Screen) | 385 | 690960 | Screw (Fuel Pump) |
| 75 | 691056 | Washer (Flywheel) | 387 | 808656 | Pump-Fuel |
| 89 | 690283 | Plug-Oil | 404 | 690442 | Washer (Governor Crank) |
| 95 | 690718 | Screw (Throttle Valve) | 405 | 690960 | Screw (Back Plate) |
| 98 | 499802 | Kit-Idle Speed | 418 | 690999 | Plate-Carburetor |
| 104 | 690984 | Ø Pin-Float Hinge | | | Low Speed: 1900-2100 |
| 105 | 690985 | Ø Valve-Float Needle | | | High Speed: 3000-3200 |
| 108 | 690986 | Ø Valve-Choke | | | |
| 117 | 690232 | Ø Jet-Main (Standard) | • | Included in Engine Gasket Set, Key. No. 358 | |
| 118 | 690989 | Ø Jet-Main (High Altitude) | Ø | Included in Carburetor Overhaul Kit, Key. No. 121 | |
| 121 | 499811 | Kit-Carburetor Overhaul | ‡ | Included in Carburetor Gasket Set, Key. No. 977 | |
| | | | + | Included in Valve Gasket Set, Key. No. 1095 | |

NOTE: All component dimensions given in U.S. inches 1 inch = 25.4 mm

TRACTOR -- MODEL NUMBER 917.272453
BRIGGS & STRATTON ENGINE-MODEL NUMBER 445777, TYPE NUMBER 0172-E1

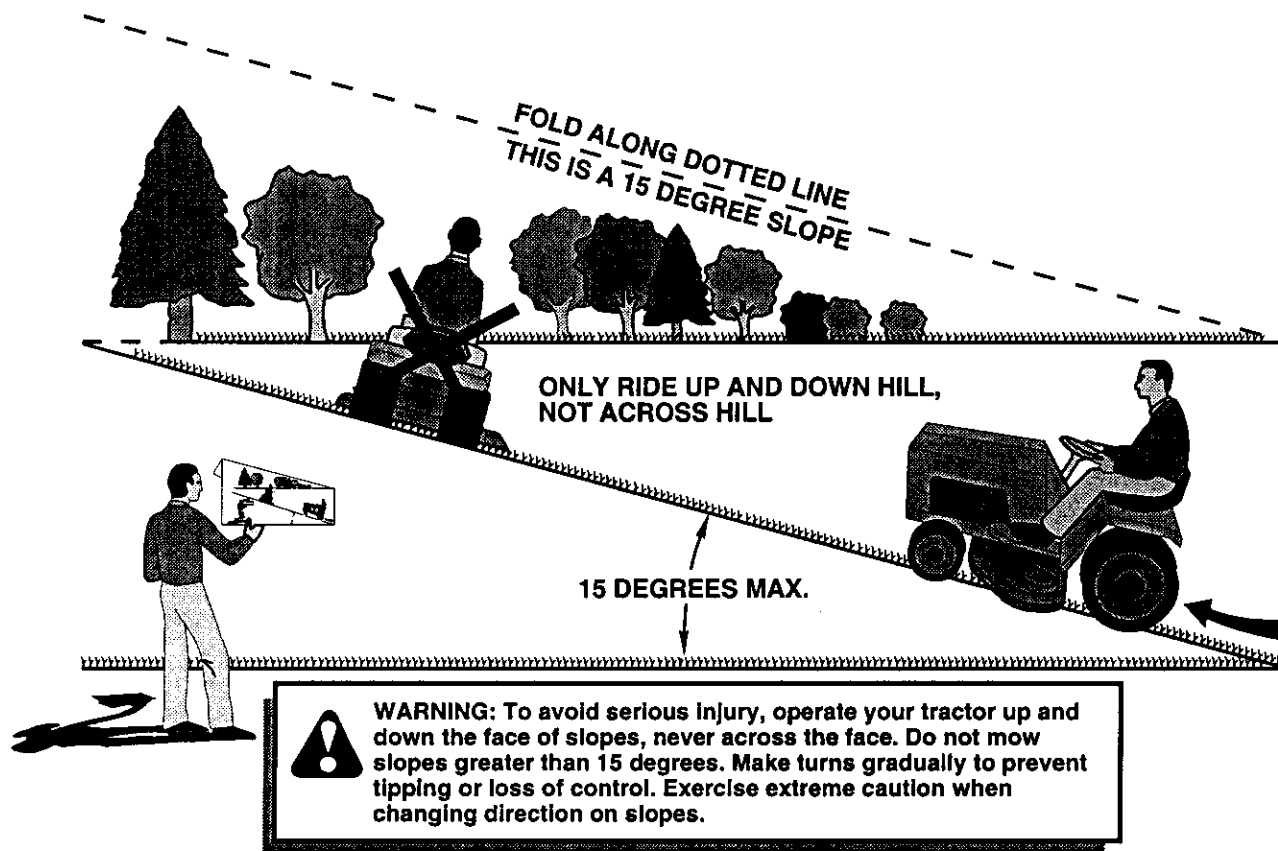
| KEY NO. | PART NO. | DESCRIPTION | KEY NO. | PART NO. | DESCRIPTION |
|---------|----------|---|---------|----------|-------------------------------------|
| 445 | 499486 | Filter-Air Cleaner Cartridge | 847 | 499602 | Assembly-Dipstick/Tube |
| 447 | 691003 | Screw (Air Guide Cover) | 851 | 493880 | Terminal-Sparkplug |
| 447A | 690960 | Screw (Air Guide Cover) | 855 | 691011 | Adapter-Air Cleaner |
| 467 | 691008 | Knob-Air Cleaner | 865 | 691012 | Cover-Air Guide (Cylinder 1) |
| 474 | 696458 | Alternator | 865A | 691014 | Cover-Air Guide (Cylinder 2) |
| 501 | 691185 | Regulator | 865B | 691015 | Cover-Air Guide |
| 505 | 691029 | Nut (Governor Control Lever) | 868 | 690968 | *+ Seal-Valve |
| 510 | 497606 | Drive-Starter | 914 | 690960 | Screw (Rocker Arm Cover) |
| 513 | 692024 | Clutch-Drive | 918 | 694000 | Hose-Vacuum |
| 523 | 691036 | Dipstick | 929 | 695239 | Screw (Choke Control Bracket) |
| 524 | 691032 | • Seal-O Ring (Dipstick Tube) | 929A | 691003 | Screw (Choke Control Bracket) |
| 525 | 691037 | Tube-Dipstick | | | |
| 526 | 690960 | Screw (Regulator) | | | |
| 544 | ----- | Armature-Starter (Serviced by 691262 Starter Motor Only) | 943 | 690589 | • Seal-O Ring (Oil Pump Cover) |
| 552 | 690552 | Bushing-Governor Crank | 947 | 499809 | Solenoid-Fuel |
| 552A | 690553 | Bushing-Governor Crank | 965 | 499613 | Cover-Oil Pump |
| 562 | 690311 | Bolt (Governor Control Lever) | 967 | 273638 | Filter-Pre Cleaner |
| 573 | 691009 | Plate-Back | 968 | 499788 | Cover-Air Cleaner |
| 601 | 95162 | Clamp-Hose | 975 | 499810 | Bowl-Float |
| 615 | 690317 | Retainer-Governor Shaft | 977 | 499812 | Gasket Set-Carburetor |
| 616 | 691045 | Crank-Governor | 987 | 691000 | Ø‡ Seal-Throttle Shaft |
| 617 | 691917 | Seal-O Ring (Intake Manifold) | 1005 | 499603 | Fan-Flywheel |
| 628 | 690960 | Screw (Fuel Pump Bracket) | 1013 | 690954 | Nipple-Oil Filter |
| 633 | 690998 | Ø‡ Seal-Choke/Throttle Shaft | 1017 | 690770 | Screen-Oil Pump |
| 635 | 66538 | Boot-Sparkplug | 1019 | 693995 | Kit-Label |
| 654 | 690958 | Nut (Carburetor) | 1022 | 690971 | *+ Gasket-Rocker Cover |
| 668 | 691215 | Spacer | 1023 | 499599 | Cover-Rocker Arm(Cylinder 1) |
| 672 | 690234 | Ø‡ Gasket-Carburetor Plate | 1023A | 499600 | Cover-Rocker Arm(Cylinder 2) |
| 691 | 690657 | • Seal-Governor Shaft | 1024 | 499054 | Pump-Oil |
| 695 | 693149 | Screw (Ring Gear) | 1026 | 690981 | Rod-Push (Steel) |
| 697 | 690372 | Screw (Drive Cap) | 1026A | 690982 | Rod-Push (Aluminum) |
| 703 | 691010 | Clip | 1027 | 492932 | Filter-Oil |
| 718 | 690959 | Pin-Locating | 1029 | 690972 | Arm-Rocker |
| 726 | 499612 | Gear-Ring | 1035 | 691042 | Shaft-Pump |
| 729 | 694123 | Clip-Wire | 1036 | 695704 | Label-Emission |
| 741 | 690980 | Gear-Timing | 1051 | 691265 | Ring-Retaining |
| 742 | 690328 | Retainer-E Ring | 1058 | 274794 | Owner's Manual |
| 750 | 696999 | Screw (Oil Pump Cover) | 1070 | 691058 | Screw (Flywheel Fan) |
| 783 | 693058 | Gear-Pinion | 1090 | 691293 | Retainer-Brush |
| 788 | 691039 | Bracket-Fuel Pump | 1095 | 694013 | Set-Valve Gasket |
| 789 | 695050 | Harness-Wiring | 1100 | 690973 | Pivot-Rocker Arm |
| 789A | 696576 | Harness-Wiring | 1119 | 691183 | Screw (Alternator) |
| 797 | 691029 | Nut (Brush Retainer) | 1123 | 690987 | Ø‡ Seal-O Ring (Solenoid Retainer) |
| 797A | 693167 | Nut (Brush Retainer) | 1124 | 690988 | Ø‡ Seal-O Ring (Fuel Transfer Tube) |
| 798 | 690967 | Screw (Rocker Arm) | | | |
| 801 | 691283 | Cap-Drive | 1126 | 690991 | Screw (Fuel Transfer Tube) |
| 802 | 691286 | Cap-End | 1127 | 690992 | Screw (Float Bowl) |
| 803 | ----- | Housing-Starter (Serviced by 691262 Starter Motor Only) | 1128 | 690990 | Ø Screw (Carburetor Nozzle) |
| 842 | 691031 | • Seal-O Ring (Dipstick) | 1169 | 693140 | Screw (Carburetor Cover Plate) |

RPM Settings: Low Speed: 1900-2100
High Speed: 3000-3200

- Included in Engine Gasket Set, Key. No. 358
- Ø Included in Carburetor Overhaul Kit, Key. No. 121
- ‡ Included in Carburetor Gasket Set, Key. No. 977
- + Included in Valve Gasket Set, Key. No. 1095

NOTE: All component dimensions given in U.S. inches 1 inch = 25.4 mm

SUGGESTED GUIDE FOR SIGHTING SLOPES FOR SAFE OPERATION



55



WARNING: To avoid serious injury, operate your tractor up and down the face of slopes, never across the face. Do not mow slopes greater than 15 degrees. Make turns gradually to prevent tipping or loss of control. Exercise extreme caution when changing direction on slopes.

1. Fold this page along dotted line indicated above.
2. Hold page before you so that its left edge is vertically parallel to a tree trunk or other upright structure.
3. Sight across the fold in the direction of hill slope you want to measure.
4. Compare the angle of the fold with the slope of the hill.

Get it fixed, at your home or ours!

Your Home

For repair – **in your home** – of **all** major brand appliances, lawn and garden equipment, or heating and cooling systems, **no matter who made it, no matter who sold it!**

For the replacement parts, accessories and owner's manuals that you need to do-it-yourself.

For Sears professional installation of home appliances and items like garage door openers and water heaters.

1-800-4-MY-HOME[®] Anytime, day or night
(1-800-469-4663) (U.S.A. and Canada)
www.sears.com www.sears.ca

Our Home

For repair of carry-in products like vacuums, lawn equipment, and electronics, call or go on-line for the nearest **Sears Parts and Repair Center.**

1-800-488-1222 Anytime, day or night (U.S.A. only)
www.sears.com

To purchase a protection agreement on a product serviced by Sears:

1-800-827-6655 (U.S.A.) **1-800-361-6665** (Canada)

Para pedir servicio de reparación a domicilio, y para ordenar piezas:

1-888-SU-HOGARSM
(1-888-784-6427)

Au Canada pour service en français:

1-800-LE-FOYER^{MC}
(1-800-533-6937)
www.sears.ca

SEARS

© Sears, Roebuck and Co.

® Registered Trademark / ™ Trademark / SM Service Mark of Sears, Roebuck and Co.

® Marca Registrada / ™ Marca de Fábrica / SM Marca de Servicio de Sears, Roebuck and Co.

^{MC} Marque de commerce / ^{MD} Marque déposée de Sears, Roebuck and Co.