

Owner's Manual



Oil Lube Two Stage Air Compressor **AIR COMPRESSOR**

Model No.
919.167812

- **Safety Guidelines**
- **Assembly**
- **Operation**
- **Maintenance**
- **Troubleshooting**
- **Repair Parts**

CAUTION: Read the Safety Guidelines
and All Instructions Carefully Before
Operating.

Sears, Roebuck and Co., Hoffman Estates, IL 60179 U.S.A.
Visit our Craftsman website: www.sears.com/craftsman

TABLE OF CONTENTS

WARRANTY	2
SPECIFICATION CHART	2
SAFETY GUIDELINES	3-8
GLOSSARY	9
DUTY CYCLE	9
ACCESSORIES	9
ASSEMBLY	10
INSTALLATION	10-12
OPERATION	13-15
MAINTENANCE	16-19
SERVICE AND ADJUSTMENTS	19-20
STORAGE	21
TROUBLESHOOTING GUIDE	21-24
REPAIR PARTS	26-29
ESPAÑOL	30-55
REPAIR PROTECTION AGREEMENTS	56
HOW TO ORDER REPAIR PARTS	back cover

WARRANTY

ONE YEAR FULL WARRANTY

If this product fails due to a defect in material or workmanship within one year from the date of purchase, Sears will at its option repair or replace it free of charge. Contact Sears at 1-800-4-MY-HOME® to arrange for repair, or return it to the place of purchase for replacement.

If this product is used for commercial or rental purposes, this warranty applies for only ninety days from the date of purchase.

This warranty gives you specific legal rights and you may have other rights which vary from state to state.

Sears, Roebuck and Co., Dept. 817WA, Hoffman Estates, IL 60179

SPECIFICATION CHART

Model No.	919.167812
Running Horsepower	*5.4
Voltage-Single Phase	240V
Minimum Branch Circuit Requirement	30 amps
Fuse Type	Time Delay
Air Tank Capacity, Gallons	80 ASME, Vertical
Approximate Cut-in Pressure	140 psig
Approximate Cut-out Pressure	175 psig
SCFM @ 100 psig	*13.3
SCFM @ 175 psig	*12.8

* Tested per ISO 1217

Refer to Glossary for abbreviations.

SAFETY GUIDELINES - DEFINITIONS

This manual contains information that is important for you to know and understand. This information relates to protecting YOUR SAFETY and PREVENTING EQUIPMENT PROBLEMS. To help you recognize this information, we use the symbols below. Please read the manual and pay attention to these symbols.

<p>⚠ DANGER: Indicates an imminently hazardous situation which, if not avoided, will result in death or serious injury.</p>	<p>⚠ CAUTION: Indicates a potentially hazardous situation which, if not avoided, may result in minor or moderate injury.</p>
<p>⚠ WARNING: Indicates a potentially hazardous situation which, if not avoided, could result in death or serious injury.</p>	<p>CAUTION: Used without the safety alert symbol indicates a potentially hazardous situation which, if not avoided, may result in property damage.</p>

IMPORTANT SAFETY INSTRUCTIONS

⚠ WARNING: This product contains chemicals known to the State of California to cause cancer, and birth defects or other reproductive harm. Wash hands after handling.

⚠ WARNING: Some dust contains chemicals known to the State of California to cause cancer, birth defects or other reproductive harm such as asbestos and lead in lead based paint.

⚠ WARNING: To reduce the risk of injury, read the instruction manual.



SAVE THESE INSTRUCTIONS

HAZARD



⚠ DANGER: RISK OF EXPLOSION OR FIRE

WHAT CAN HAPPEN	HOW TO PREVENT IT
<ul style="list-style-type: none"> It is normal for electrical contacts within the motor and pressure switch to spark. 	<ul style="list-style-type: none"> Always operate the compressor in a well ventilated area free of combustible materials, gasoline, or solvent vapors.
<ul style="list-style-type: none"> If electrical sparks from compressor come into contact with flammable vapors, they may ignite, causing fire or explosion. 	<ul style="list-style-type: none"> If spraying flammable materials, locate compressor at least 20 feet (6.1 m) away from spray area. An additional length of air hose may be required. Store flammable materials in a secure location away from compressor.

<ul style="list-style-type: none"> Restricting any of the compressor ventilation openings will cause serious overheating and could cause fire. 	<ul style="list-style-type: none"> Never place objects against or on top of compressor. Operate compressor in an open area at least 12" (30.5 cm) away from any wall or obstruction that would restrict the flow of fresh air to the ventilation openings. Operate compressor in a clean, dry well ventilated area. Do not operate unit indoors or in any confined area. Store unit indoors.
<ul style="list-style-type: none"> Unattended operation of this product could result in personal injury or property damage. To reduce the risk of fire, do not allow the compressor to operate unattended. 	<ul style="list-style-type: none"> Always remain in attendance with the product when it is operating. Disconnect electrical supply when not in use.

HAZARD



▲ DANGER:

RISK TO BREATHING (ASPHYXIATION)

WHAT CAN HAPPEN	HOW TO PREVENT IT
<ul style="list-style-type: none"> The compressed air directly from your compressor is not safe for breathing. The air stream may contain carbon monoxide, toxic vapors, or solid particles from the air tank. Breathing these contaminant's can cause serious injury or death. 	<ul style="list-style-type: none"> Air obtained directly from the compressor should never be used to supply air for human consumption. In order to use air produced by this compressor for breathing, suitable filters and in-line safety equipment must be properly installed. In-line filters and safety equipment used in conjunction with the compressor must be capable of treating air to all applicable local and federal codes prior to human consumption.
<ul style="list-style-type: none"> Exposure to chemicals in dust created by power sanding, sawing, grinding, drilling, and other construction activities may be harmful. Sprayed materials such as paint, paint solvents, paint remover, insecticides, weed killers, may contain harmful vapors and poisons. 	<ul style="list-style-type: none"> Work in an area with good cross ventilation. Read and follow the safety instructions provided on the label or safety data sheets for the materials you are spraying. Always use certified safety equipment: NIOSH/ OSHA respiratory protection or properly fitting face mask designed for use with your specific application.

HAZARD



⚠ DANGER: RISK OF SERIOUS INJURY OR PROPERTY DAMAGE WHEN TRANSPORTING COMPRESSOR

WHAT CAN HAPPEN	HOW TO PREVENT IT
<ul style="list-style-type: none"> • Oil can leak or spill and could result in fire or breathing hazard; serious injury or death can result. oil leaks will damage carpet, paint or other surfaces in vehicles or trailers. 	<ul style="list-style-type: none"> • Always place compressor on a protective mat when transporting to protect against damage to vehicle from leaks. Remove compressor from vehicle immediately upon arrival at your destination.

HAZARD



⚠ WARNING: RISK OF BURSTING

Air Tank: The air tank on your Air Compressor is designed and may be UM coded (for units with air tanks greater than 6 inch diameter) according to ASME Section VIII, Div. 1 rules. All pressure vessels should be inspected once every two years. To find your state pressure vessels inspector, look under the Division of Labor and Industries in the government section of a phone book.

The following conditions could lead to a weakening of the air tank, and result in a violent air tank explosion:

WHAT CAN HAPPEN	HOW TO PREVENT IT
<ul style="list-style-type: none"> • Failure to properly drain condensed water from air tank, causing rust and thinning of the steel air tank. 	<ul style="list-style-type: none"> • Drain air tank daily or after each use. If air tank develops a leak, replace it immediately with a new air tank or replace the entire compressor.
<ul style="list-style-type: none"> • Modifications or attempted repairs to the air tank. 	<ul style="list-style-type: none"> • Never drill into, weld, or make any modifications to the air tank or its attachments. Never attempt to repair a damaged or leaking air tank. Replace with a new air tank.
<ul style="list-style-type: none"> • Unauthorized modifications to the safety valve or any other components which control air tank pressure. 	<ul style="list-style-type: none"> • The air tank is designed to withstand specific operating pressures. Never make adjustments or parts substitutions to alter the factory set operating pressures.
<ul style="list-style-type: none"> • Excessive vibration can weaken the air tank of a stationary compressor and cause an explosion. 	<ul style="list-style-type: none"> • The compressor must be properly mounted, see "Anchoring" under Installation.

Attachments & accessories:

<ul style="list-style-type: none"> • Exceeding the pressure rating of air tools, spray guns, air operated accessories, tires, and other inflatables can cause them to explode or fly apart, and could result in serious injury. 	<ul style="list-style-type: none"> • Follow the equipment manufacturers recommendation and never exceed the maximum allowable pressure rating of attachments. Never use compressor to inflate small low pressure objects such as children's toys, footballs, basketballs, etc.
--	---

HAZARD



▲ WARNING: RISK OF ELECTRICAL SHOCK

WHAT CAN HAPPEN	HOW TO PREVENT IT
<ul style="list-style-type: none">Your air compressor is powered by electricity. Like any other electrically powered device, if it is not used properly it may cause electric shock.	<ul style="list-style-type: none">Never operate the compressor outdoors when it is raining or in wet conditions.Never operate compressor with protective covers removed or damaged.
<ul style="list-style-type: none">Repairs attempted by unqualified personnel can result in serious injury or death by electrocution.	<ul style="list-style-type: none">Any electrical wiring or repairs required on this product should be performed by authorized service center personnel in accordance with national and local electrical codes.
<ul style="list-style-type: none">Electrical Grounding: Failure to provide adequate grounding to this product could result in serious injury or death from electrocution. Refer to "Grounding Instructions" paragraph in the Installation section.	<ul style="list-style-type: none">Make certain that the electrical circuit to which the compressor is connected provides proper electrical grounding, correct voltage and adequate fuse protection.

HAZARD



▲ WARNING: RISK FROM FLYING OBJECTS

WHAT CAN HAPPEN	HOW TO PREVENT IT
<ul style="list-style-type: none">The compressed air stream can cause soft tissue damage to exposed skin and can propel dirt, chips, loose particles, and small objects at high speed, resulting in property damage or personal injury.	<ul style="list-style-type: none">Always wear certified safety equipment: ANSI Z87.1 eye protection (CAN/CSA Z94.3) with side shields when using the compressor.Never point any nozzle or sprayer toward any part of the body or at other people or animals.Always turn the compressor off and bleed pressure from the air hose and air tank before attempting maintenance, attaching tools or accessories.

HAZARD



⚠ WARNING: RISK OF HOT SURFACES

WHAT CAN HAPPEN	HOW TO PREVENT IT
<ul style="list-style-type: none">• Touching exposed metal such as the compressor head, engine head, engine exhaust or outlet tubes, can result in serious burns.	<ul style="list-style-type: none">• Never touch any exposed metal parts on compressor during or immediately after operation. Compressor will remain hot for several minutes after operation.• Do not reach around protective shrouds or attempt maintenance until unit has been allowed to cool.

HAZARD



⚠ WARNING: RISK FROM MOVING PARTS

WHAT CAN HAPPEN	HOW TO PREVENT IT
<ul style="list-style-type: none">• Moving parts such as the pulley, flywheel, and belt can cause serious injury if they come into contact with you or your clothing.	<ul style="list-style-type: none">• Never operate the compressor with guards or covers which are damaged or removed.• Keep your hair, clothing, and gloves away from moving parts. Loose clothes, jewelry, or long hair can be caught in moving parts.• Air vents may cover moving parts and should be avoided as well.
<ul style="list-style-type: none">• Attempting to operate compressor with damaged or missing parts or attempting to repair compressor with protective shrouds removed can expose you to moving parts and can result in serious injury.	<ul style="list-style-type: none">• Any repairs required on this product should be performed by authorized service center personnel.

HAZARD



⚠ WARNING: RISK OF UNSAFE OPERATION

WHAT CAN HAPPEN	HOW TO PREVENT IT
<ul style="list-style-type: none">• Unsafe operation of your air compressor could lead to serious injury or death to you or others.	<ul style="list-style-type: none">• Review and understand all instructions and warnings in this manual.• Become familiar with the operation and controls of the air compressor.• Keep operating area clear of all persons, pets, and obstacles.• Keep children away from the air compressor at all times.• Do not operate the product when fatigued or under the influence of alcohol or drugs. Stay alert at all times.• Never defeat the safety features of this product.• Equip area of operation with a fire extinguisher.• Do not operate machine with missing, broken, or unauthorized parts.

HAZARD



⚠ WARNING: RISK OF INJURY FROM LIFTING

WHAT CAN HAPPEN	HOW TO PREVENT IT
<ul style="list-style-type: none">• Serious injury can result from attempting to lift too heavy an object.	<ul style="list-style-type: none">• The compressor is too heavy to be lifted by one person. Obtain assistance from others before lifting.

HAZARD



⚠ CAUTION: RISK FROM NOISE

WHAT CAN HAPPEN	HOW TO PREVENT IT
<ul style="list-style-type: none">• Under some conditions and duration of use, noise from this product may contribute to hearing loss.	<ul style="list-style-type: none">• Always wear certified safety equipment: ANSI S12.6 (S3.19) hearing protection.

SAVE THESE INSTRUCTIONS

GLOSSARY

Become familiar with these terms before operating the unit.

CFM: Cubic feet per minute.

SCFM: Standard cubic feet per minute; a unit of measure of air delivery.

PSIG: Pounds per square inch gauge; a unit of measure of pressure.

Code Certification: Products that bear one or more of the following marks: UL, CUL, ETL, CETL, have been evaluated by OSHA certified independent safety laboratories and meet the applicable Underwriters Laboratories Standards for Safety.

Cut-In Pressure: While the motor is off, air tank pressure drops as you continue to use your accessory. When the tank pressure drops to a certain low level the motor will restart automatically. The low pressure at which

the motor automatically restarts is called "cut-in" pressure.

Cut-Out Pressure: When an air compressor is turned on and begins to run, air pressure in the air tank begins to build. It builds to a certain high pressure before the motor automatically shuts off - protecting your air tank from pressure higher than its capacity. The high pressure at which the motor shuts off is called "cut-out" pressure.

Branch Circuit: Circuit carrying electricity from electrical panel to outlet.

To Lock Out Power: Place a lock on the line power switch so no one else can turn on the power.

DUTY CYCLE

This air compressor pump is capable of running continuously. However, to prolong the life of your air compressor, it is recommended that a 50%-75%

average duty cycle be maintained; that is, the air compressor pump should not run more than 30-45 minutes in any given hour.

ACCESSORIES

This unit is capable of powering the following Accessories. The accessories are available through the current Power and Hand Tool Catalog or full-line Sears stores.

Accessories

- In Line Filter
- Tire Air Chuck
- Quick Connector Sets (various sizes)
- Air Pressure Regulators
- Oil Fog Lubricators
- Air Hose: 1/4", 3/8" or 1/2" I.D. in various lengths

Refer to the selection chart located on the unit to select the tools this unit is capable of powering.

▲ WARNING: The use of any other accessory not recommended for use with this tool could be hazardous. Use only accessories rated equal to or higher than the rating of the air compressor.

ASSEMBLY

Contents of Carton

- 1 - Air Compressor
- 1 - Parts bag containing:
 - 1 - Owner's Manual
 - 4 - 5/8" Washers
 - 1 - Conduit Connector

Tools Required for Assembly

- 1 - 9/16" socket or open end wrench
- 1 - Electric drill

Unpacking

- 1. Remove all packaging.

▲ CAUTION: It may be necessary to brace or support one side of the outfit when removing the pallet because the air compressor will have a tendency to tip.

2. Remove and discard the (4) screws and washers holding the compressor to the pallet.
3. With the help of another person carefully remove air compressor from pallet and place on a level surface.

▲ CAUTION: This compressor was shipped with oil in the pump crankcase. Check oil before operating air compressor, see Check Oil under Maintenance.

INSTALLATION

HOW TO SET UP YOUR UNIT

Location of the Air Compressor

- Locate the air compressor in a clean, dry, and well ventilated area.
- Located the air compressor at least 12" (30.5 cm) away from the wall or other obstructions that will interfere with the flow of air.
- Locate the air compressor as close to the main power supply as possible to avoid using long lengths of electrical wiring.
NOTE: Long lengths of electrical wiring could cause power loss to the motor.
- The air filter must be kept clear of obstructions which could reduce air flow to the air compressor.

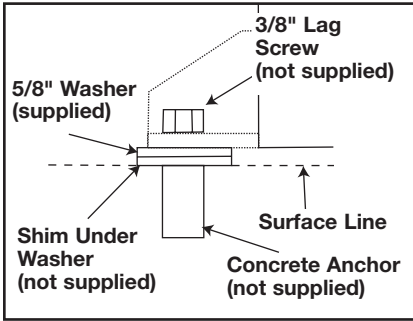
Anchoring of the Air Compressor

▲ WARNING: Risk of Bursting. Excessive Vibration can weaken the air tank and cause an explosion. The compressor must be properly mounted.

The air compressor **MUST** be bolted to a solid, level surface.

Hardware needed:

- 4 - Concrete anchors (not supplied)
 - 4 - 3/8" Lag screw to fit concrete anchors (not supplied)
 - 4 - 5/8" Washer (supplied) shims (if needed)
1. Place the air compressor on a solid, level surface.
 2. Mark the surface using the holes in the air compressor feet as a template.
 3. Drill holes in the surface for the concrete anchors. Install concrete anchors.
 4. Line-up holes in surface with holes in air compressor feet.
 5. Place the (4) washers (supplied) between the floor and air compressor feet. If needed, solid shims may be placed between the washers and floor to evenly distribute weight on all four feet. See next figure.



6. Place the (4) 3/8" lag screws through the air compressor feet, washers, shims, and into the anchors.
7. Torque 3/8" lag screws to 7 - 10 ft. lbs.

Wiring Instructions

⚠ DANGER: Improper electrical installation of this product may void its warranty and your fire insurance. Have circuit wiring performed by qualified personnel such as a licensed electrician who is familiar with the current national electrical code and any prevailing local electrical codes.

A qualified electrician needs to know the following before wiring:

1. The amperage rating of the electrical box should be adequate. Refer to the Specification Chart for this information.
2. The supply line should have the same electrical characteristics (voltage, cycle, phase) as the motor. Refer to the motor nameplate, on side of motor, for this information.

NOTE: The wiring must be the same as the motor nameplate voltage plus or minus 10%. Refer to local codes for recommended wire sizes, correct wire size, and maximum wire run; undersize wire causes high amp draw and overheating to the motor.

⚠ DANGER: Risk of Electrical Shock. Electrical wiring must be located away from hot surfaces such as manifold assembly, compressor outlet tubes, heads, or cylinders.

GROUNDING INSTRUCTIONS

This product should be connected to a metallic, permanent wiring system, of an equipment-grounding terminal or lead on the product.

Voltage and Circuit Protection

Refer to the specification chart for the voltage and minimum branch circuit requirements.

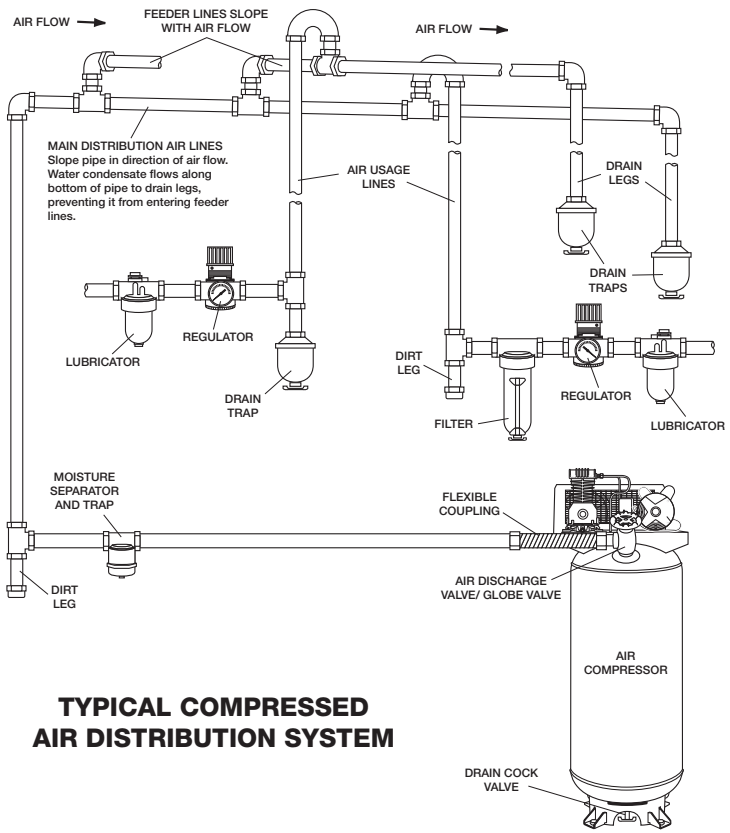
Air Distribution System

⚠ WARNING: Risk of Bursting. Plastic or PVC

pipe is not designed for use with compressed air. Regardless of its indicated pressure rating, plastic pipe can burst from air pressure. Use only metal pipe for air distribution lines.

The next figure represents a typical air distribution system. The following are tips to remember when setting up the air compressor's air distribution system.

- Use pipe that is the same size as the air tank outlet. Piping that is too small will restrict the flow of air.
- If piping is over 100 feet (30.5 m) long, use the next larger size.
- Bury underground lines below the frost line and avoid pockets where condensation can gather and freeze. Apply pressure before underground lines are covered to make sure all pipe joints are free of leaks.
- A flexible coupling is recommended to be installed between the air discharge outlet and main air distribution line to allow for vibration.
- A separate regulator is recommended to control the air pressure. Air pressure from the tank is usually too high for individual air driven tools.

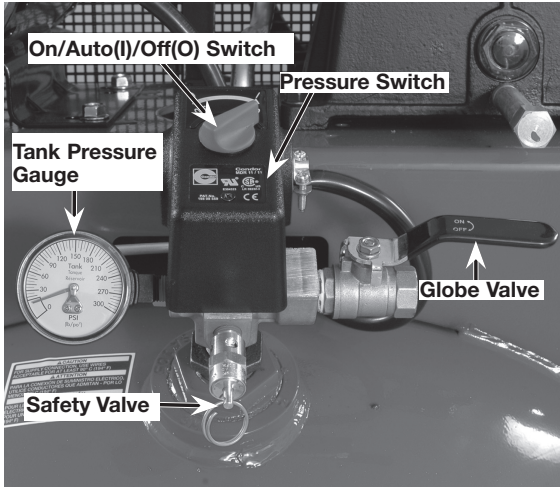


TYPICAL COMPRESSED AIR DISTRIBUTION SYSTEM

OPERATION

KNOW YOUR AIR COMPRESSOR

READ THIS OWNER'S MANUAL AND SAFETY RULES BEFORE OPERATING YOUR UNIT. Compare the illustrations with your unit to familiarize yourself with the location of various controls and adjustments. Save this manual for future reference.



DESCRIPTION OF OPERATION

Become familiar with these controls before operating the unit.

On/Auto(I)/Off(O) Switch: Turn this switch "On/Auto(I)" to provide automatic power to the pressure switch and "Off(O)" to remove power at the end of each use.

Pressure Switch: The pressure switch automatically starts the motor when the air tank pressure drops below the factory set "cut-in" pressure. It stops the motor when the air tank pressure reaches the factory set "cut-out" pressure.

Safety Valve: If the pressure switch does not shut off the air compressor at its "cut-out" pressure setting, the safety valve will protect against high pressure by "popping out" at its factory set pressure (slightly higher than the pressure switch "cut-out" setting).

Tank Pressure Gauge: The tank pressure gauge indicates the reserve air pressure in the tank.

Globe Valve: Opens and closes air discharge valve. Turn knob counter-clockwise to open and clockwise to close.

Regulator (sold separately, not shown): An air pressure regulator or a separate air transformer which combines the functions of air regulation and/or moisture and dirt removal is recommended for most applications.

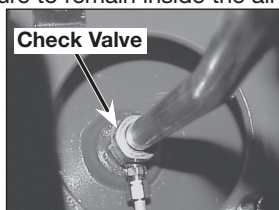
Cooling System (not shown): This compressor contains an advanced design cooling system. At the heart of this cooling system is an engineered fan. It is perfectly normal for this fan to blow air through the vent holes in large amounts. You know that the cooling system is working when air is being expelled.

Air Compressor Pump (not shown): Compresses air into the air tank. Working air is not available until the compressor has raised the air tank pressure above that required at the air outlet.

Drain Valve: The drain valve is located at the base of the air tank and is used to drain condensation at the end of each use.



Check Valve: When the air compressor is operating, the check valve is "open", allowing compressed air to enter the air tank. When the air compressor reaches "cut-out" pressure, the check valve "closes", allowing air pressure to remain inside the air tank.



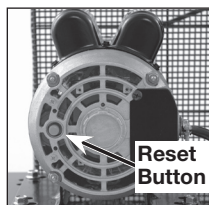
Pressure Release Valve: The pressure release valve located on the side of the pressure switch, is designed to automatically release compressed air from the compressor head and the outlet tube when the air compressor reaches "cut-out" pressure or is shut off. The pressure release valve allows the motor to restart freely. When the motor stops running, air will be heard escaping from this valve for a few seconds. No air should be heard leaking when the motor is running or after the unit reaches "cut-out" pressure.



Motor Overload Protector: This motor has a manual thermal overload protector. If the motor overheats for any reason, the overload protector will shut off the motor. The motor must be allowed to cool down before restarting.

To restart:

1. Place the On/ Auto/Off lever in the "Off" position.
2. Allow the motor to cool.
3. Depress the red reset button on the motor.
4. Place the On/Auto/Off lever in the "On/Auto" position to restart the motor.



Air Intake Filter (not shown): This filter is designed to clean air coming into the pump. This filter must always be clean and ventilation openings free from obstructions. See "Maintenance".

HOW TO USE YOUR UNIT

How to Stop:

1. Set the On/Auto/Off lever to "Off".

Before Starting

⚠ WARNING: Do not operate this unit until you read and understand this instruction manual for safety, operation and maintenance instructions.

Break-in Procedure

CAUTION: Risk of Property Damage. Serious damage may result if the following break-in instructions are not closely followed.

This procedure is required **before** the air compressor is put into service and when the check valve or a complete compressor pump has been replaced.

1. Make sure the On/Auto/Off lever is in the "Off" position.
2. Check oil level in pump. See "Oil" paragraph in the Maintenance section for instructions.
3. Recheck all wiring. Make sure wires are secure at all terminals connections. Make sure all contacts move freely and are not obstructed.

4. Open the globe valve fully to permit air to escape and prevent air pressure build up in the air tank during the break-in period.
5. Move the On/Auto/Off lever to "On/Auto" position. The compressor will start.
6. Run the compressor for 20 minutes. Make sure the globe valve is open and there is minimal air pressure build-up in tank.
7. Check all air line fittings and connections/piping for air leaks by applying a soap solution. Correct if necessary. **NOTE:** Minor leaks can cause the air compressor to overwork, resulting in premature breakdown or inadequate performance.
8. Check for excessive vibration. Readjust or shim air compressor feet, if necessary.
9. After 20 minutes, close the globe valve. The air receiver will fill to "cut-out" pressure and the motor will stop.

Before Each Start-Up:

1. Place On/Auto/Off lever to "Off".
2. Close the globe valve.
3. Attach hose and accessories.

▲ WARNING Risk of unsafe operation. Firmly grasp air hose in hand when installing or disconnecting to prevent hose whip.

▲ WARNING Risk of unsafe operation. Do not use damaged or worn accessories.

NOTE: A regulator MUST be installed when using accessories rated at less than 175 psi.

NOTE: The hose or accessory will require a quick connect plug if the air outlet is equipped with a quick connect socket.

▲ WARNING: Risk of Bursting. Too much air pressure causes a hazardous risk of bursting. Check the manufacturer's maximum pressure rating for air tools and accessories. The regulator outlet pressure must never exceed the maximum pressure rating.

▲ CAUTION: Risk of unsafe operation. Compressed air from the unit may contain water condensation and oil mist. Do not spray unfiltered air at an item that could be damaged by moisture. Some air tools and accessories may require filtered air. Read the instructions for the air tools and accessories.

How to Start:

1. Turn the On/Auto/Off lever to "On/Auto" and allow tank pressure to build. Motor will stop when tank pressure reaches "cut-out" pressure.
2. When the tank pressure reaches "cut-out" pressure open the globe valve.

IMPORTANT: When using regulator and other accessories refer to the manufacturers instructions.

▲ WARNING If any unusual noise or vibration is noticed, stop the compressor immediately and have it checked by a trained service technician.

The compressor is ready for use.

MAINTENANCE

CUSTOMER RESPONSIBILITIES

	Before each use	Daily or after each use	Every 8 hours	Every 40 hours	Every 100 hours	Every 160 hours	Yearly
Check Safety Valve	X						
Drain Tank		X					
Oil Leaks			X				
Check Pump Oil			X				
Change Pump Oil						X	
Unusual Noise and/or Vibration			X				
Air Filter					x¹		
Drive Belt-Condition				X			
Motor Pulley/Flywheel alignment					X		
Air compressor pump intake and exhaust valves							X
Inspect air lines and fittings for leaks	X						
Head Bolts - Check the torques of the head bolts after the first five hours of operation.							
1- more frequent in dusty or humid conditions							

⚠ WARNING: **Risk of Unsafe Operation. Unit cycles automatically when power is on. When servicing, you may be exposed to voltage sources, compressed air, or moving parts. Before servicing unit unplug or disconnect electrical supply to the air compressor, bleed tank of pressure, and allow the air compressor to cool.**

To ensure efficient operation and longer life of the air compressor, a routine maintenance schedule should be prepared and followed. The above routine maintenance schedule is geared to an air compressor in a normal working environment operating on a daily basis. If necessary, the schedule should be modified to suit the conditions under which your air compressor is used. The modifications will depend upon the hours of operation and the working environment. Compressors in an extremely dirty and/or hostile environment will require a greater frequency of all maintenance checks.

NOTE: See Operation section for the location of controls.

TO CHECK SAFETY VALVE

⚠ WARNING: **Risk of Bursting. If the safety valve does not work properly, over-pressurization may occur, causing air tank rupture or an explosion.**

⚠ WARNING: **Risk from Flying Objects. Always wear certified safety equipment: ANSI Z87.1 eye protection (CAN/CSA Z94.3) with side shields.**

1. Before starting compressor, pull the ring on the safety valve to make sure that the safety valve operates freely. If the valve is stuck or does not operate smoothly, it must be replaced with the same type of valve.

TO DRAIN TANK

▲ WARNING: Risk of Unsafe Operation. Risk from noise. Air tanks contain high pressure air. Keep face and other body parts away from outlet of drain. Use ANSI Z87.1 eye protection (CAN/CSA Z94.3) when draining as debris can be kicked up into face. Use ear protection (ANSI S12.6 (S3.19) hearing protection) as air flow noise is loud when draining.

NOTE: Operation of the air compressor will cause condensation to build up in the air tank. Always drain tank on a washable surface or in a suitable container to prevent damaging or staining surfaces.

1. Set the On/Auto/Off lever to "Off".
2. Close the globe valve.
3. Remove the air tool or accessory.
4. Open the globe valve and allow the air to slowly bleed from the air tank until tank pressure is approximately 20 psi.
5. Close the globe valve.
6. Drain water from air tank by opening drain valve on bottom of tank.

▲ WARNING: Risk of Bursting. Water will condense in the air tank. If not drained, water will corrode and weaken the air tank causing a risk of air tank rupture.

▲ CAUTION: Risk of Property Damage. Drain water from air tank may contain oil and rust which can cause stains.

7. After the water has been drained, close the drain valve. The air compressor can now be stored.

NOTE: If drain valve is plugged, release all air pressure. The valve can then be removed, cleaned, then reinstalled.

OIL

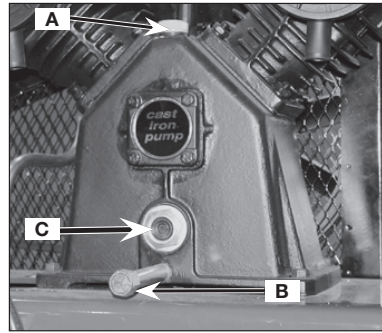
▲ CAUTION: Use air compressor oil only. Multi-weight automotive engine oils like 10W30 should not be use in air compressors. They leave carbon deposits on critical components, thus reducing performance and compressor life.

NOTE: Use 30W compressor oil or a heavy duty SAE 30W, non-detergent, SF grade or better oil DO NOT use multi-weight automotive engine oils, they will reduce compressor life. Under extreme winter condition use SAE-10 weight oil.

NOTE: Crankcase oil capacity is approximately 48 fluid ounces (1.4 L).

Checking

1. The oil level should be to the middle of the sight glass (C).
2. If needed remove oil fill plug (A) and slowly add oil until it reaches the middle of the sight glass.



Changing

1. Remove the oil fill plug (A).
 2. Remove the oil drain plug (B) and drain oil into a suitable container.
 3. Replace the oil drain plug (B) and tighten securely.
 4. Slowly add compressor oil until the oil level is in the middle of the sightglass (C). **NOTE:** When filling the crankcase, the oil flows very slowly into the pump. If the oil is added too quickly, it will overflow and appear to be full.
- ▲ CAUTION:** Risk of Unsafe Operation. Overfilling with oil will cause premature compressor failure. Do not overfill.
5. Replace oil fill plug (A) and tighten securely.

AIR FILTER - INSPECTION AND REPLACEMENT

⚠ WARNING: Hot surfaces.
Risk of burn.

Compressor heads are exposed when filter cover is removed. Allow compressor to cool prior to servicing.

⚠ CAUTION: Keep the air filter clean at all times. Do not operate the air compressor with the air filter removed.

A dirty air filter will not allow the compressor to operate at full capacity. Keep the air filter clean at all times.

1. Remove air filter.
2. Remove the air filter cover.
3. Remove the air filter from filter cover.

IMPORTANT: Do not operate the compressor with the air filter removed.

4. Place new air filter into filter cover. Refer to the Repair Parts for the correct part number.
5. Replace air filter cover and reassemble air filter to pump.

BELT - REPLACEMENT

(Refer to the Parts List for replacement belt part number.)

⚠ WARNING: Serious injury or damage may occur if parts of the body or loose items get caught in moving parts. Never operate the outfit with the belt guard removed. The belt guard should be removed only when the air compressor power is disconnected.

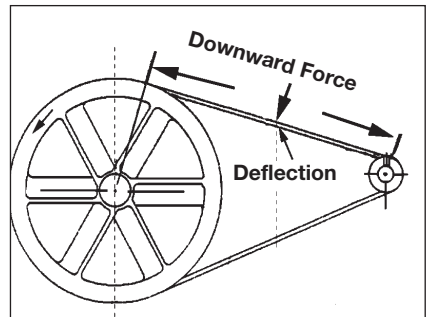
1. Turn air compressor off, lock out the power supply, and relieve all air pressure from the air tank.
2. Remove the belt guard.
3. Mark pump position on saddle.
4. Loosen the motor mounting screws and slide the motor toward the air compressor.
5. Remove the belt and replace with a new one.

⚠ WARNING: Risk of moving parts. Use caution when rolling belt onto flywheel, fingers can get caught between the belt and flywheel.

6. See the "Adjust Belt Tension" before tightening motor mounting screws.

ADJUSTING BELT TENSION

1. Slide motor into original position, line the motor up with the mark made earlier on saddle.
2. Tighten two outside motor mounting screws enough to hold the motor in place for checking pulley and flywheel alignment.
3. The belt should deflect $3/16"$ (4.8 mm) at midway between the pulley and the flywheel when a 5-10 pound weight is applied at the midway point.



3. When proper belt tension is achieved, tighten all four motor mounting screws. See Parts list for torque specifications.

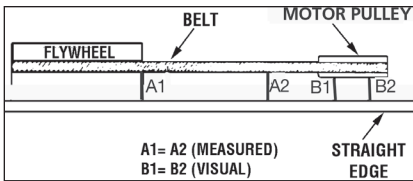
NOTE: Once the engine pulley has been moved from its factory set location, the grooves of the flywheel and pulley must be aligned to within $1/16"$ (1.6 mm) to prevent excessive belt wear. Verify the alignment by performing the following Pulley and Flywheel - Alignment.

MOTOR PULLEY/FLYWHEEL ALIGNMENT

NOTE: Once the motor pulley has been moved from its factory set location, the grooves of the flywheel and pulley must be aligned to within 1/16" (1.6 mm) to prevent excessive belt wear.

The air compressor flywheel and motor pulley must be in-line (in the same plane) within 1/16" (1.6 mm) to assure belt retention within flywheel belt grooves. To check alignment, perform the following steps:

1. Turn air compressor off, lock out the power supply, and relieve all air pressure from the air tank.
2. Remove belt guard.
3. Place a straightedge against the outside of the flywheel and the motor drive pulley.



4. Measure the distance between the edge of the belt and the straightedge at points A1 and A2 in figure. The difference between measurements should be no more than 1/16" (1.6 mm).
5. If the difference is greater than 1/16" (1.6 mm) loosen the set screw holding the motor drive pulley to the shaft and adjust the pulley's position on the shaft until the A1 and A2 measurements are within 1/16" (1.6 mm) of each other.

6. Tighten the motor drive pulley set screw. See Parts manual for torque specifications.
7. Visually inspect the motor drive pulley to verify that it is perpendicular to the drive motor shaft. Points B1 and B2 of Figure should appear to be equal. If they are not, loosen the setscrew of the motor drive pulley and equalize B1 and B2, using care not to disturb the belt alignment performed in step 2.
8. Retighten the motor drive pulley setscrew. See Parts manual for torque specifications.
9. Reinstall belt guard.

AIR COMPRESSOR PUMP INTAKE AND EXHAUST VALVES

Once a year have a Trained Service Technician check the air compressor pump intake and exhaust valves.

INSPECT AIR LINES AND FITTINGS FOR LEAKS

1. Turn air compressor off, lock out the power supply, and relieve all air pressure from the air tank.
2. Apply a soap solution to all air line fittings and connections/piping.
3. Correct any leaks found.

IMPORTANT: Even minor leaks can cause the air compressor to overwork, resulting in premature breakdown or inadequate performance.

AIR COMPRESSOR HEAD BOLTS - TORQUING

The air compressor pump head bolts should be kept properly torqued. Check the torques of the head bolts after the first five hours of operation. Retighten if necessary. See Parts List for torque specifications.

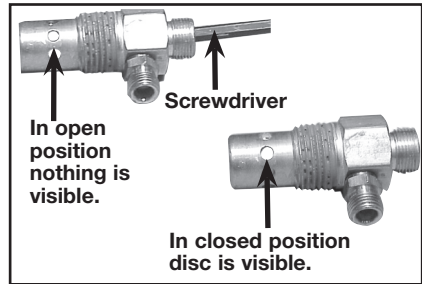
SERVICE AND ADJUSTMENTS

ALL MAINTENANCE AND REPAIR OPERATIONS NOT LISTED MUST BE PERFORMED BY TRAINED SERVICE TECHNICIAN.

⚠ WARNING: Risk of Unsafe Operation. Unit cycles automatically when power is on. When servicing, you may be exposed to voltage sources, compressed air, or moving parts. Before servicing unit unplug or disconnect electrical supply to the air compressor, bleed tank of pressure, and allow the air compressor to cool.

TO REPLACE OR CLEAN CHECK VALVE

1. Release all air pressure from air tank. See "To Drain Tank" in the Maintenance section.
2. Turn air compressor off, lock out the power supply, and relieve all air pressure from the air tank.
3. Using an adjustable wrench loosen outlet tube nut at air tank and pump. Carefully move outlet tube away from check valve.
4. Using an adjustable wrench loosen pressure relief tube nut at air tank and pressure switch. Carefully move pressure relief tube away from check valve.
5. Unscrew the check valve (turn counterclockwise) using a 7/8" open end wrench. **NOTE** the orientation for reassembly.
6. Using a screwdriver, carefully push the valve disc up and down. **NOTE:** The valve disc should move freely up and down on a spring which holds the valve disc in the closed position, if not the check valve needs to be cleaned or replaced.



7. Clean or replace the check valve. A solvent, such as paint or varnish remover can be used to clean the check valve.
8. Apply sealant to the check valve threads. Reinstall the check valve (turn clockwise).
9. Replace the pressure release tube. Tighten nuts.
10. Replace the outlet tube and tighten nuts.
11. Perform the Break-in Procedure. See "Break-in Procedure" in the Operation section.

ADDITIONAL SERVICE

Disassembly or service of the air compressor beyond what is covered in this manual is not recommended. If additional service is required, contact your nearest Authorized Warranty Service Center.

STORAGE

Before you store the air compressor, make sure you do the following:

1. Review the Maintenance section on the preceding pages and perform scheduled maintenance as necessary.
2. Set the On/Auto/Off lever to "Off".
3. Close the globe valve.
4. Remove the air tool or accessory.
5. Open the globe valve and allow the air to slowly bleed from the air tank until tank pressure is approximately 20 psi.
6. Drain water from air tank by opening drain valve on bottom of tank.

⚠ WARNING: Water will condense in the air tank. If not drained, water will corrode and weaken the air tank causing a risk of air tank rupture.

7. After the water has been drained, close the drain or drain valve.

NOTE: If drain valve is plugged, release all air pressure. The valve can then be removed, cleaned, then reinstalled.

8. Protect the air hose from damage (such as being stepped on or run over).

TROUBLESHOOTING

⚠ WARNING: Risk of Unsafe Operation. Unit cycles automatically when power is on. When servicing, you may be exposed to voltage sources, compressed air, or moving parts. Before servicing unit unplug or disconnect electrical supply to the air compressor, bleed tank of pressure, and allow the air compressor to cool.

PROBLEM	CAUSE	CORRECTION
Excessive tank pressure - safety valve pops off	Pressure switch does not shut off motor when compressor reaches "cut-out" pressure.	Move On/Auto/Off lever to the "Off" position, if the unit does not shut off contact a Trained Service Technician.
	Pressure switch "cut-out" too high.	Contact a Trained Service Technician.
Air leaks at fittings	Tube fittings are not tight enough.	Tighten fittings where air can be heard escaping. Check fittings with soapy water solution. DO NOT OVER TIGHTEN.
Air leaks at or inside check valve	Check valve seat damaged.	A defective check valve results in a constant air leak at the pressure release valve when there is pressure in the tank and the compressor is shut off. Replace check valve. Refer the "To Replace or Clean Check Valve" in the Service and Adjustments section.
Air leaks at pressure switch release valve	Defective pressure switch release valve.	Contact a Trained Service Technician.

PROBLEM	CAUSE	CORRECTION
Air leaks in air tank or at air tank welds	Defective air tank.	Air tank must be replaced. Do not repair the leak. ▲ WARNING: Risk of Bursting. Do not drill into, weld or otherwise modify air tank or it will weaken. The tank can rupture or explode.
Air leaks between head and valve plate	Leaking seal.	Contact a Trained Service Technician.
Pressure reading on the regulated pressure gauge (if equipped) drops when an accessory is used	It is normal for "some" pressure drop to occur.	If there is an excessive amount of pressure drop when the accessory is used, adjust the regulator as instructed in the Operation section. NOTE: Adjust the regulated pressure under flow conditions (while accessory is being used).
Air leak from safety valve	Possible defect in safety valve.	Operate safety valve manually by pulling on ring. If valve still leaks, it should be replaced.
Compressor is not supplying enough air to operate accessories	Prolonged excessive use of air.	Decrease amount of air usage.
	Compressor is not large enough for air requirement.	Check the accessory air requirement. If it is higher than the SCFM or pressure supplied by your air compressor, you need a larger compressor.
	Hole in hose.	Check and replace if required.
	Check valve restricted.	Remove and clean, or replace.
	Air leaks.	Tighten fittings.
	Restricted air intake filter.	Clean or replace air intake filter. Do not operate the air compressor with the filter removed. Refer to the "Air Filter" paragraph in the Maintenance section.
Restricted air intake	Loose belt.	Check belt tension, see Adjusting Belt Tension in the Maintenance section.
	Dirty air filter.	Clean or replace. See Air Filter paragraph in the Maintenance section.

PROBLEM	CAUSE	CORRECTION
Motor will not run	Motor overload protection switch has tripped.	Refer to "Motor Overload Protection" under Operation. If motor overload protection trips frequently, contact a Trained Service Technician
	Tank pressure exceeds pressure switch "cut-in" pressure.	Motor will start automatically when tank pressure drops below "cut-in" pressure of pressure switch.
	Check valve stuck open.	Remove and clean, or replace.
	Loose electrical connections.	Check wiring connection inside pressure switch and terminal box area.
	Possible defective motor or starting capacitor.	Have checked by a Trained Service Technician.
	Paint spray on internal motor parts.	Have checked by a Trained Service Technician. Do not operate the compressor in the paint spray area. See flammable vapor warning.
	Pressure release valve on pressure switch has not unloaded head pressure.	Bleed the line by pushing the lever on the pressure switch to the "Off" position; if the valve does not open, replace switch.
Motor will not run (continued)	Fuse blown, circuit breaker tripped.	<ol style="list-style-type: none"> 1. Check fuse box for blown fuse and replace as necessary. Reset circuit breaker. Do not use a fuse or circuit breaker with higher rating than that specified for your particular branch circuit. 2. Check for proper fuse. You should use a time delay fuse. 3. Check for low voltage conditions and/or proper extension cord. 4. Disconnect the other electrical appliances from circuit or operate the compressor on its own branch circuit.
Safety Valve on pump "pops" out	Pressure switch, check valve, or pump could be in need of servicing.	Have checked by a Trained Service Technician.

PROBLEM	CAUSE	CORRECTION
Knocking Noise	Possible defect in safety valve.	Operate safety valve manually by pulling on ring. If valve still leaks, it should be replaced.
	Defective check valve.	Remove and clean, or replace.
	Loose pulley.	Tighten pulley set screw, see Parts manual for torque specifications.
	Loose flywheel.	Tighten flywheel screw, see Parts manual for torque specifications.
	Compressor mounting screws loose.	Tighten mounting screws, see Parts manual for torque specifications.
	Loose belt.	Check belt tension, see "Adjusting Belt Tension" in the Maintenance section.
	Carbon build-up in pump.	Have checked by a Trained Service Technician.
Excessive belt wear	Belt too tight.	Check belt tension, see "Adjusting Belt Tension" in the Maintenance section.
	Loose belt.	Check belt tension, see "Adjusting Belt Tension" in the Maintenance section.
	Tight belt.	Check belt tension, see "Adjusting Belt Tension" in the Maintenance section.
	Loose pulley.	Have checked by a Trained Service Technician.
Squealing sound	Pulley misalignment.	See "Motor Pulley/Flywheel Alignment" paragraph in the Maintenance section.
	Compressor pump has no oil.	See "Oil-Checking" paragraph in the Maintenance section.
	Loose belt.	Check belt tension, see "Adjusting Belt Tension" in the Maintenance section.

GARANTÍA	30
CUADRO DE ESPECIFICACIONES	31
DEFINICIONES DE NORMAS DE SEGURIDAD	31
IMPORTANTES INSTRUCCIONES DE SEGURIDAD	32-38
GLOSARIO	39
CICLO DE SERVICIO	39
ACCESORIOS	39
ENSAMBLADO	40
INSTALACIÓN	40-42
OPERACIÓN	43-45
MANTENIMIENTO	46-50
ALMACENAJE	51
GUÍA DE DIAGNÓSTICO DE PROBLEMAS	46-49
NOTES/NOTAS	50
CONTRATOS DE PROTECCIÓN PARA REPARACIONES	51
LISTA DE PARTES	26-29

GARANTÍA

GARANTÍA TOTAL DE UN AÑO

Si esta unidad fallase debido a defectos de materiales o de fabricación dentro del año de su fecha de compra, Sears, a su opción, lo reparará o reemplazará sin costo alguno. Comuníquese con Sears al 1-800-4-MY-HOME® para coordinar su reparación, o devuelva la unidad al lugar donde lo compró para que lo cambien.

Si esta unidad se usase con fines comerciales o para alquiler, esta garantía se aplica sólo durante los primeros noventa días a partir de su fecha de compra. Esta garantía le otorga derechos específicos y usted podría tener otros derechos que varían de un estado a otro.

Sears, Roebuck and Co., Dept. 817WA, Hoffman Estates, IL 60179

CUADRO DE ESPECIFICACIONES

Modelo N°	919.167812
Potencia de trabajo	*5,4
Voltaje / Fases	240V/1 Fase
Requerimientos mínimos por ramal de circuito	30 Amp
Tipo de fusible	Fusible de retardo
Capacidad del tanque en galones	80 ASME, Vertical (302,8 litros)
Presión aproximada de conexión	140 psig
Presión aproximada de desconexión	175 psig
SCFM @ 100 psig	*13,3
SCFM @ 175 psig	*12,8

* Probado según la norma ISO 1217

Refiérase al glosario para descifrar las abreviaturas.

DEFINICIONES DE NORMAS DE SEGURIDAD

Este manual contiene información que es importante que usted conozca y comprenda. Esta información se relaciona con la protección de SU SEGURIDAD Y LA PREVENCIÓN DE PROBLEMAS A SU EQUIPO. Para ayudarlo a reconocer esta información, usamos los símbolos indicados más abajo. Sírvase leer el manual y prestar atención a estas secciones.

<p>▲ PELIGRO: Indica una situación de riesgo inminente, que si no se evita, causará la muerte o lesiones serias.</p>	<p>▲ ATENCIÓN Indica una situación potencialmente peligrosa, que si no se evita, puede causar lesiones menores o moderadas.</p>
<p>▲ ADVERTENCIA: Indica una situación potencialmente riesgosa, que si no se evita, podría causar la muerte o lesiones serias.</p>	<p>ATENCIÓN Usado sin el símbolo de seguridad de alerta indica una situación potencialmente riesgosa la que, si no se evita, podría causar daños en la propiedad.</p>

CONSIGNES DE SÉCURITÉ IMPORTANTES

▲ ADVERTENCIA: Este producto contiene sustancias químicas, incluido el plomo, reconocidas por el Estado de California como causantes de cáncer, defectos de nacimiento u otros problemas reproductivos. Lávese las manos después de utilizarlo.

▲ ADVERTENCIA: Algunos tipos de polvo contienen sustancias químicas, como el amianto y el plomo de las pinturas de base plomo, reconocidas por el Estado de California como causantes de cáncer, defectos de nacimiento u otros problemas

▲ ADVERTENCIA: Para reducir el riesgo de lesiones, lea el manual de instrucciones.



CONSERVE ESTAS INSTRUCCIONES

PELIGRO



⚠ PELIGRO:

RIESGO DE EXPLOSIÓN O INCENDIO

¿Qué puede suceder?	Cómo evitarlo
<ul style="list-style-type: none">• Es normal que los contactos eléctricos dentro del motor y el interruptor de presión produzcan chispas.	<ul style="list-style-type: none">• Opere siempre el compresor en un área bien ventilada libre de materiales combustibles, gasolina o vapores de solventes.
<ul style="list-style-type: none">• Si las chispas eléctricas del compresor entran en contacto con vapores inflamables, pueden encenderse, provocando un incendio o una explosión.	<ul style="list-style-type: none">• Si se pulverizan materiales inflamables, ubique el compresor al menos a 6,1 m (20 pies) del área de pulverización. Se puede necesitar manguera adicional.• Guarde los materiales inflamables en lugar seguro lejos del compresor.
<ul style="list-style-type: none">• Restringir cualquiera de las aberturas de ventilación del compresor puede producir un sobrecalentamiento grave y podría provocar un incendio.	<ul style="list-style-type: none">• Nunca coloque objetos contra o sobre el compresor.• Opere el compresor en un lugar abierto con una distancia de al menos 30,5 cm (12 pulg.) a cualquier pared u obstrucción que pudiera restringir el flujo de aire fresco a las aberturas de ventilación.• Opere el compresor en un área limpia, seca y bien ventilada. No opere la unidad dentro en un área muy cerrada. Almacén en puertas.
<ul style="list-style-type: none">• El funcionamiento sin atención de este producto podría provocar lesiones personales o daños a la propiedad. Para disminuir el riesgo de incendio, no permita que el compresor funcione sin que alguien lo controle.	<ul style="list-style-type: none">• Permanezca siempre controlando el producto cuando está en funcionamiento.• Siempre apague y desenchufe la unidad cuando no esté en uso.

PELIGRO



▲ PELIGRO: RIESGO RESPIRATORIO (ASFIXIA)

¿Qué puede suceder?	Cómo evitarlo
<ul style="list-style-type: none">• El aire comprimido que sale de su compresor no es seguro para respirarlo. El flujo de aire puede contener monóxido de carbono, vapores tóxicos o partículas sólidas del tanque de aire. Respirar estos contaminantes puede provocar lesiones graves o la muerte.	<ul style="list-style-type: none">• El aire que se obtiene directamente del compresor no se debe usar nunca para consumo humano. Para poder utilizar el aire producido por este compresor para respirar, se deben instalar correctamente filtros y equipos en línea adecuados. Los filtros y los equipos de seguridad en línea que se usan junto con el compresor deben ser capaces de tratar el aire según todos los códigos locales y federales antes de que sea consumido por seres humanos.
<ul style="list-style-type: none">• La exposición a productos químicos en el polvo producido por las herramientas eléctricas al lijar, aserrar, esmerilar, taladrar y otras actividades de la construcción puede ser peligrosa.• Los materiales pulverizados como pintura, solventes para pinturas, removedor de pintura, insecticidas y herbicidas pueden contener vapores dañinos y venenos.	<ul style="list-style-type: none">• Trabaje en un área con buena ventilación cruzada. Lea y siga las instrucciones de seguridad que se proveen en la etiqueta o en la ficha técnica de los materiales que está utilizando. Siempre utilice equipamiento de seguridad certificado: protección respiratoria aprobada por NIOSH/OSHA o una mascarilla facial adecuada diseñada para usar para los fines que usted requiere.

PELIGRO



▲ PELIGRO: RIESGO DE LESIÓN O DAÑO A LA PROPIEDAD AL TRANSPORTAR O ALMACENAR LA UNIDAD

¿Qué puede suceder?	Cómo evitarlo
<ul style="list-style-type: none">• Se puede producir una pérdida o derrame de aceite, lo que podría provocar peligro de incendio o inhalación, lesiones graves o la muerte. Los derrames de aceite dañarán alfombras, pintura u otras superficies de vehículos o remolques.	<ul style="list-style-type: none">• Coloque siempre el compresor en un tapete protector cuando lo transporte, para proteger al vehículo de daños por pérdidas. Retire inmediatamente el compresor del vehículo una vez que haya llegado a destino. Mantenga siempre el compresor nivelado y nunca lo coloque de costado.

PELIGRO



▲ ADVERTENCIA: RIESGO DE EXPLOSIÓN

Tanque de aire: El tanque de aire de su compresor de aire está diseñado y puede tener código UM (para unidades con tanques de aire de más de 152 mm (6 pulgadas) de diámetro) según las normas de la ASME, Sección VIII, Div. 1. Todos los recipientes de presión se deben inspeccionar cada dos años. Para encontrar al inspector de recipientes de presión de su estado, busque en la División Trabajo e Industrias de la sección gubernamental de la guía telefónica para obtener ayuda.

Las siguientes condiciones podrían llevar a un debilitamiento del tanque de aire, y provocar una explosión violenta del tanque:

¿Qué puede suceder?	Cómo evitarlo
<ul style="list-style-type: none">No drenar correctamente el agua condensada del tanque de aire, que provoca óxido y adelgazamiento del tanque de aire de acero.	<ul style="list-style-type: none">Drene el tanque diariamente o luego de cada uso. Si un tanque de aire presenta una pérdida, reemplácelo inmediatamente con un tanque nuevo o reemplace todo el compresor.
<ul style="list-style-type: none">Modificaciones o intento de reparación del tanque de aire.	<ul style="list-style-type: none">Nunca perforo, suelde o haga ninguna modificación al tanque de aire o a sus elementos. Nunca intente reparar un tanque de aire dañado o con pérdidas. Reemplácelo con un tanque de aire nuevo.
<ul style="list-style-type: none">Las modificaciones no autorizadas de la válvula de seguridad o cualquier otro componente que controle la presión del tanque.	<ul style="list-style-type: none">El tanque está diseñado para soportar determinadas presiones de operación. Nunca realice ajustes ni sustituya piezas para cambiar las presiones de operación fijadas en la fábrica.
<ul style="list-style-type: none">Las vibraciones excesivas pueden debilitar el tanque de aire de un compresor estacionario y causar una explosión.	<ul style="list-style-type: none">El compresor debe estar debidamente montado. Consulte las Instrucciones de Anclaje en Instalación.

Elementos y accesorios:

<ul style="list-style-type: none">Exceder las indicaciones de presión para las herramientas neumáticas, las pistolas pulverizadoras, los accesorios neumáticos, los neumáticos y otros artículos inflables puede hacer que exploten o revienten, y puede provocar lesiones graves.	<ul style="list-style-type: none">Siga la recomendación del fabricante del equipo y nunca exceda el nivel máximo de presión aceptable para los elementos. Nunca utilice el compresor para inflar objetos pequeños de baja presión, tales como juguetes de niños, pelotas de fútbol o de basquetbol, etc.
--	--

Neumáticos:

- El inflado excesivo de los neumáticos podría causar lesiones graves y daño a la propiedad.
 - Utilice un medidor de presión de neumáticos para controlar la presión de éstos antes de cada uso y mientras los infla; observe el flanco para ver la presión correcta del neumático.
- NOTA:** Los tanques de aire, los compresores y el equipo similar que se usa para inflar neumáticos pueden llenar neumáticos pequeños como éstos con mucha rapidez. Ajuste el regulador de presión en el suministro de aire a un valor que no supere el de la presión del neumático. Agregue aire en forma gradual y use con frecuencia el medidor de presión de neumáticos para evitar inflarlos.

PELIGRO



⚠ ADVERTENCIA: RIESGO DE DESCARGA ELÉCTRICA

¿Qué puede suceder?	Cómo evitarlo
<ul style="list-style-type: none">• Su compresor de aire funciona con electricidad. Como cualquier otro mecanismo que funciona con electricidad, si no se lo utiliza correctamente puede provocar descargas eléctricas.	<ul style="list-style-type: none">• Nunca haga funcionar el compresor al aire libre cuando está lloviendo o en condiciones de humedad.• Nunca haga funcionar el compresor sin las cubiertas de protección o si están dañadas.
<ul style="list-style-type: none">• Que personal no calificado intente realizar reparaciones puede provocar lesiones graves o muerte por electrocución.	<ul style="list-style-type: none">• Cualquier cableado eléctrico o las reparaciones requeridas para este producto deben ser realizadas por un centro de servicio de un centro de mantenimiento autorizado de acuerdo con los códigos eléctricos nacionales y locales.
<ul style="list-style-type: none">• Puesta a tierra: La no colocación de la puesta a tierra adecuada para este producto puede provocar lesiones graves o muerte por electrocución. "Consulte las Instrucciones de Conexión a tierra" en Instalación.	<ul style="list-style-type: none">• Asegúrese de que el circuito eléctrico al que se conecta el compresor suministre la conexión a tierra adecuada, el voltaje adecuado y el fusible de protección adecuado.

PELIGRO



⚠ ADVERTENCIA:

RIESGO DE OBJETOS DESPEDIDOS

¿Qué puede suceder?	Cómo evitarlo
<ul style="list-style-type: none">• La corriente de aire comprimido puede provocar lesiones en los tejidos blandos de la piel expuesta y puede impulsar suciedad, astillas, partículas sueltas y objetos pequeños a gran velocidad, que pueden producir daños en la propiedad y lesiones personales.	<ul style="list-style-type: none">• Utilice siempre equipo de seguridad certificado: anteojos de seguridad ANSI Z87.1 (CAN/CSA Z94.3) con protección lateral al usar el compresor.• Nunca apunte ninguna boquilla ni pulverizador a ninguna parte del cuerpo o a otras personas o animales.• Apague siempre el compresor y drene la presión de la manguera de aire y del tanque de aire antes de intentar hacer mantenimiento, conectar herramientas o accesorios.

PELIGRO



⚠ ADVERTENCIA:

RIESGO DE SUPERFICIES CALIENTES

¿Qué puede suceder?	Cómo evitarlo
<ul style="list-style-type: none">• Tocar metal expuesto como el cabezal del compresor, el cabezal del motor, el escape del motor, o los tubos de salida puede provocar quemaduras graves.	<ul style="list-style-type: none">• Nunca toque ninguna parte metálica expuesta del compresor durante o inmediatamente después de su funcionamiento. El compresor continuará caliente durante varios minutos después de su funcionamiento.• No toque las cubiertas protectoras ni intente realizar mantenimiento hasta que la unidad se haya enfriado.

PELIGRO



⚠ ADVERTENCIA: RIESGO POR PIEZAS MÓVILES

¿Qué puede suceder?	Cómo evitarlo
<ul style="list-style-type: none">Las piezas móviles como la polea, el volante y la correa pueden provocar lesiones graves si entran en contacto con usted o con sus ropas.	<ul style="list-style-type: none">Nunca haga funcionar el compresor sin los protectores o cubiertas o si los mismos están dañados.Mantenga el cabello, la ropa y los guantes alejados de las piezas en movimiento. Las ropas holgadas, las joyas o el cabello largo pueden quedar atrapados en las piezas móviles.Los orificios de ventilación pueden cubrir piezas en movimiento, por lo que también se deben evitar.
<ul style="list-style-type: none">Intentar hacer funcionar el compresor con partes dañadas o faltantes, o intentar reparar el compresor sin las cubiertas protectoras puede exponerlo a piezas móviles lo que puede provocar lesiones graves.	<ul style="list-style-type: none">Cualquier reparación requerida por este producto debe ser realizada por un centro de servicio de un centro de servicio autorizado.

PELIGRO



⚠ ADVERTENCIA: RIESGO DE OPERACIÓN INSEGURA

¿Qué puede suceder?	Cómo evitarlo
<ul style="list-style-type: none">La operación insegura de su compresor de aire podría producir lesiones graves o la muerte, a usted mismo o a otras personas.	<ul style="list-style-type: none">Revise y comprenda todas las instrucciones y advertencias de este manual.Familiarícese con la operación y los controles del compresor de aire.Mantenga el área de operaciones libre de personas, mascotas y obstáculos.Mantenga a los niños alejados del compresor de aire en todo momento.No opere el producto cuando esté cansado o bajo la influencia de alcohol o drogas. Manténgase alerta en todo momento.Nunca anule las características de seguridad de este producto.Equipe el área de operaciones con un extintor de incendios.No opere la máquina si faltan piezas, si éstas están rotas o si no son las autorizadas.Nunca se pare sobre el compresor.

PELIGRO



⚠ ADVERTENCIA: RIESGO DE LESIÓN POR LEVANTAR MUCHO PESO

¿Qué puede suceder?	Cómo evitarlo
<ul style="list-style-type: none">• El intento de levantar un objeto muy pesado puede provocar lesiones graves.	<ul style="list-style-type: none">• El compresor es demasiado pesado como para que lo levante una sola persona. Consiga ayuda de otras personas para levantarlo.

PELIGRO



⚠ ATENCIÓN RIESGO POR RUIDOS

¿Qué puede suceder?	Cómo evitarlo
<ul style="list-style-type: none">• En determinadas condiciones y según el período de uso, el ruido provocado por este producto puede originar pérdida de audición.	<ul style="list-style-type: none">• Utilice siempre equipo de seguridad certificado: protección auditiva ANSI S12.6 (S3.19).

**CONSERVE ESTAS INSTRUCCIONES
PARA FUTURAS CONSULTAS**

GLOSARIO

Familiarícese con los siguientes términos, antes de operar la unidad:

CFM: (Cubic feet per minute) Pies cúbicos por minuto.

SCFM: (Standard cubic feet per minute) Pies cúbicos estándar por minuto; una unidad de medida que permite medir la cantidad de entrega de aire.

PSIG: (Pound per square inch) Libras por pulgada cuadrada.

Código de certificación: Los productos que usan una o más de las siguientes marcas: UL, CUL, ETL, CETL, han sido evaluados por OSHA, laboratorios independientes certificados en seguridad, y reúnen los estándares suscriptos por los laboratorios dedicados a la certificación de la seguridad.

Presión Aprox. de Conexión: Cuando el motor está apagado, la presión del tanque de aire baja a medida que usted continúa usando su accesorio. Cuando la presión del tanque baja al valor fijado en fábrica

como punto bajo, el motor volverá a arrancar automáticamente. La presión baja a la cual el motor arranca automáticamente, se llama presión "mínima de corte".

Presión aprox. de desconexión: Cuando un compresor de aire se enciende y comienza a funcionar, la presión de aire en el tanque comienza a aumentar. Aumenta hasta un valor de presión alto fijado en fábrica antes de que el motor automáticamente se apague protegiendo a su tanque de aire de presiones más altas que su capacidad. La presión alta a la cual el motor se apaga se llama presión "máxima de corte".

Ramal: Circuito eléctrico que transporta electricidad desde el panel de control hasta el tomacorriente.

Para bloquear el acceso a la corriente: Coloque un candado en el interruptor de circuito para que nadie pueda activar la corriente.

CICLO DE SERVICIO

Esta bomba compresora de aire es capaz de funcionar continuamente, sin embargo para prolongar la vida útil de su compresor de aire se recomienda mantener un ciclo

promedio de servicio que oscile entre el 50% y el 75%; ello significa que la bomba compresora no debería trabajar más de 30 a 45 minutos por hora

ACCESORIOS

Esta unidad es suficiente para abastecer de energía eléctrica a los siguientes accesorios. Estos se encuentran disponibles a través del catálogo para herramientas eléctricas y manuales, en cualquiera de los comercios que mantiene la línea completa de SEARS.

Accesorios

- Filtro en línea
- Entrada de aire a neumáticos
- Juegos de conectores rápidos (varios tamaños)
- Reguladores de presión de aire
- Lubricadores de niebla de aceite
- Manguera de aire: 1/4 plug., 3/8 plug. o 1/2 plug. D.I. en varias medidas

Refiérase al gráfico de selección ubicado sobre la unidad, para elegir el tipo de herramienta que esta unidad es capaz de hacer funcionar.

⚠ ADVERTENCIA: El uso de accesorios no recomendados para utilizar con esta herramienta puede resultar peligroso. Use solamente accesorios con una capacidad nominal igual o superior a la de la compresor de aire.

ENSAMBLADO

Contenido de la Caja

- 1 - Compresor de aire
 - 1 - Bolsa de piezas conteniendo lo siguiente:
 - 1 - Manual del operador
 - 4 - Arandelas de 5/8 pulg.
 - 1 - Conector de conductos

Herramientas necesarias para el ensamble

- 1 - llave de tubo o de boca de 14 mm (9/16 pulg.)
- 1 - Taladro eléctrico

Desembalaje

- 1. Extraiga todo el embalaje

⚠ ATENCIÓN: Podrá ser necesario apuntalar o soportar un lado del equipo al extraer la plataforma, porque el compresor de aire tenderá a inclinarse.

- 2. Extraiga y descarte los (4) tornillos y arandelas que sujetan el compresor a la plataforma.
- 3. Con la ayuda de otra persona, remueva cuidadosamente el compresor de aire de su plataforma y colóquelo sobre una plataforma nivelada.

⚠ ATENCIÓN: Este compresor fue enviado con aceite en la caja del motor de la bomba. Controle el nivel de aceite antes de poner en funcionamiento el compresor de aire, consulte Control de aceite en la sección Mantenimiento.

INSTALACIÓN

CÓMO PREPARAR LA UNIDAD

Ubicación del compresor de aire

- Instale el compresor de aire en una zona limpia, seca y bien ventilada.
- Instale el compresor de aire a una distancia no menor de 30,5 cm (12 pulg.) de la pared u otras obstrucciones que pudiesen interferir con el flujo del aire.
- Instale el compresor de aire lo más cerca posible del sitio de alimentación eléctrica, a fin de evitar el uso de largas extensiones de cableado eléctrico.
NOTA: Las extensiones eléctricas demasiado largas pueden causar una caída de tensión perjudicial para la alimentación del motor.
- El filtro de aire debe mantenerse libre de obstrucciones que pudiesen reducir el flujo del aire al compresor.

Anclaje del compresor de aire

⚠ ADVERTENCIA: La vibración excesiva puede debilitar al tanque de aire y causar su explosión. El compresor debe estar montado adecuadamente.

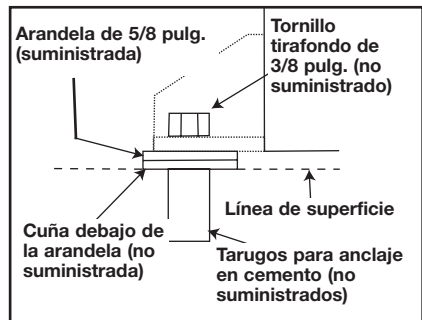
El compresor de aire DEBE anclarse a una superficie sólida y nivelada.

Elementos necesarios:

- 4 - Tarugos para anclajes en cemento (no suministrados)
- 4 - Tornillos tirafondo de 3/8 pulg. capaces de llenar los tarugos para anclaje en cemento (no suministrados)

- 4 - Arandelas 5/8 pulg. (suministrada)
 - Cuñas (en caso de ser necesario)

- 1. Instale el compresor de aire sobre una superficie sólida y nivelada.
- 2. Marque la superficie utilizando como plantilla, los orificios existentes en el compresor de aire.
- 3. Perfore la superficie, a fin de penetrar los tarugos para anclaje en el cemento. Coloque los tarugos en el cemento.
- 4. Haga coincidir la alineación de los orificios de la superficie, con el de las patas del compresor de aire.
- 5. Coloque las (4) arandelas (suministradas) entre el piso y las patas del compresor. Si fuese necesario, pueden colocarse cuñas sólidas entre las arandelas y el piso a fin de distribuir en forma pareja el peso sobre las cuatro patas. Vea la figura siguiente.



- Coloque los (4) tornillos tirafondo de 3/8 pulg. a través de las patas del compresor de aire; de las arandelas y cuñas, hasta llegar a los tarugos de anclaje.
- Aplique un torque de 7-10 pies-lbs. al los tornillos tirafondo de 3/8 pulg.

Instrucciones para la conexión eléctrica

⚠ PELIGRO: La instalación eléctrica indebida de este producto puede anular la garantía y su seguro contra incendios. El cableado de circuitos debe estar a cargo de personal calificado, como electricistas matriculados, que esté familiarizado con los códigos nacionales actuales y los códigos eléctricos locales en vigencia.

Antes de efectuar las conexiones, un electricista calificado debe conocer lo siguiente:

- Que el valor promedio del amperaje en la caja eléctrica sea el adecuado. Para obtener dicha información deberá referirse a la hoja de especificaciones.
- Que la línea de suministro eléctrico tenga idénticas características eléctricas (voltaje, ciclos, fases) que las del motor. Para obtener dicha información deberá referirse a la placa de identificación del motor, ubicada sobre el lateral del mismo.

NOTA: La conexión eléctrica debe corresponder al mismo voltaje indicado sobre la placa de identificación del motor mas o menos 10%. Para informarse acerca de las extensiones y calibres de cable recomendadas y máxima extensión del circuito, deberá referirse a los códigos locales; un circuito subdimensionado origina una caída elevada del amperaje y un recalentamiento del motor.

⚠ PELIGRO: **Riesgo de choque eléctrico. La conexión eléctrica debe estar ubicada fuera de superficies calientes, tales como silenciadores de escape, tubos de salida de compresores de aire, cabezales o cilindros.**

INSTRUCCIONES PARA CONECTAR A TIERRA

Este artefacto debe conectarse al terminal metálico de un sistema de cableado permanente a tierra para equipos o al terminal del artefacto.

Protección del voltaje y del circuito

Consultar le tableau des spécifications pour connaître les exigences minimums concernant la tension et le circuit de dérivation.

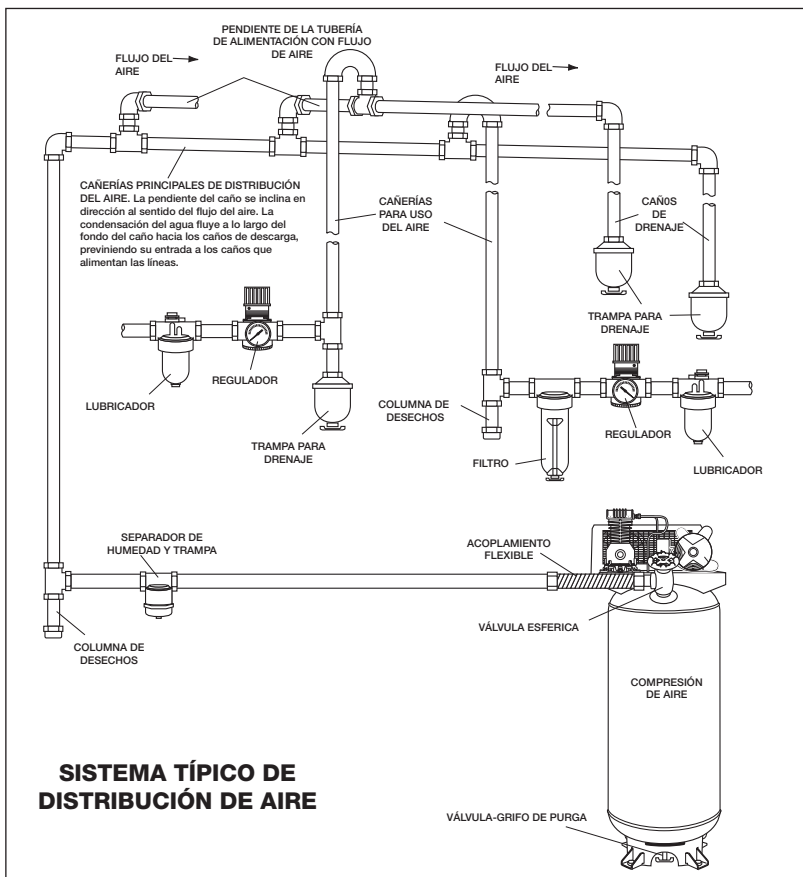
Sistema de distribución de aire

⚠ ADVERTENCIA: **Riesgo de Explosión.**

Los tubos de plástico o PVC no han sido diseñados para usarlos con aire comprimido. Independientemente de lo que esté indicado como especificación de presión, las cañerías de plástico pueden explotar debido a la presión del aire. Utilice solamente caños de metal para los ramales de distribución.

La siguiente imagen representa un sistema típico de distribución de aire. Las siguientes son pautas para tener presente al montar el sistema de distribución del compresor de aire.

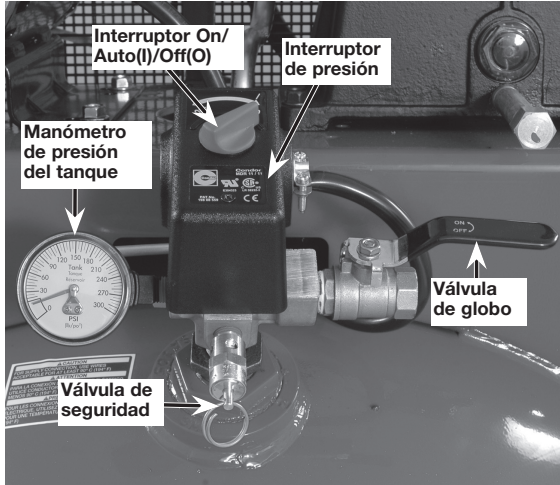
- Utilice caño de la misma medida que el de la salida del tanque de aire. Una cañería demasiado angosta restringirá el paso del aire.
- Si la cañería tiene más de 30,5 m (100 pies) de longitud, utilice la medida inmediata superior.
- Entierre la cañería por debajo de la línea de congelamiento y evite huecos en los que la condensación se pudiese acumular y congelar. Efectúe pruebas de presión antes de cubrir la cañería, a fin de asegurarse que todas las uniones de la misma se encuentran libres de fugas.
- Se recomienda la instalación de un acoplamiento flexible, entre la salida de descarga del aire y la línea principal de distribución del mismo, a fin de aliviar eventuales vibraciones.
- Se recomienda la instalación de un segundo regulador para el control de la presión del aire. La presión de salida del tanque es - usualmente - demasiado alta para las herramientas individuales de acción neumática.



OPERACIÓN

CONOZCA SU COMPRESOR DE AIRE

LEA ESTE MANUAL DEL PROPIETARIO Y SUS NORMAS DE SEGURIDAD ANTES DE OPERAR LA UNIDAD. Compare las ilustraciones contra su unidad a fin de familiarizarse con la ubicación de los distintos controles y regulaciones. Conserve este manual para referencias futuras.



Descripción de operaciones

Familiarícese con estos controles antes de operar la unidad.

Interruptor On/Auto(I)/Off(O): Mueva este interruptor a la posición "On/Auto(I)" para dar contacto automático al interruptor de presión, y "Off(O)" para interrumpir la energía eléctrica al término del uso.

Interruptor de presión: El interruptor de presión permite el arranque automático del motor cuando la presión del tanque disminuye por debajo del valor de la presión de conexión regulada en fábrica. El motor se detendrá cuando la presión del tanque alcance los valores de presión de corte, regulado en fábrica para su desconexión.

Válvula de seguridad: Si el interruptor de presión dejara de cortar el suministro de presión del compresor conforme a los valores prefijados para la presión de corte, la válvula de seguridad protegerá contra la presión elevada, "saltando" de acuerdo a los valores prefijados en fábrica (ligera-mente superiores a los de presión de corte de la llave interruptora.)

Manómetro de la presión del tanque: El manómetro que controla la presión del tanque indica la reserva de presión del tanque de aire.

Válvula de globo: Abre y cierra la válvula de descarga de aire. Gire la perilla en sentido antihorario para abrir, y en sentido horario para cerrar.

Regulador (vendido por separado, no mostrado): Para la mayoría de aplicaciones se recomienda usar un regulador de presión o un transformador de aire separado que combine las funciones de regulación de aire y/o eliminación de humedad y tierra.

Sistema de enfriamiento (no mostrado): Este compresor contiene un sistema de enfriamiento de avanzada. El núcleo de este sistema de enfriamiento contiene un ventilador diseñado especialmente. Resulta perfectamente normal para este ventilador, soplar aire a través del cabezal de la bomba, la camisa del pistón y el cárter del cigüeñal. Usted sabrá que el sistema de enfriamiento funciona adecuadamente cuando perciba que el aire está siendo expelido.

Bomba de compresión del aire (no mostrada): Comprime el aire dentro del tanque. El aire de trabajo no se encuentra disponible hasta que el compresor haya alcanzado a llenar el tanque hasta un nivel de presión por encima del requerido para la salida del aire.

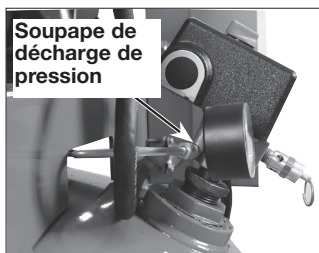
Válvula de drenaje: La válvula de drenaje se encuentra ubicada sobre la base del tanque de aire y se usa para drenar la condensación al fin de cada uso.



Válvula reguladora: Cuando el compresor de aire se encuentra funcionando, la válvula reguladora esta "abierta", permitiendo la entrada del aire comprimido al tanque de aire. Cuando el nivel de presión del tanque alcanza el punto de "corte", la válvula reguladora "se cierra", reteniendo la presión del aire dentro del tanque.



Válvula aliviadora de presión: La válvula aliviadora de presión se encuentra ubicada en el costado del interruptor de presión; ha sido diseñada para liberar automáticamente el aire comprimido de la cabeza compresora y el tubo de salida, cuando el compresor de aire alcanza la presión de "corte" o es apagado. La válvula aliviadora de presión permite el arranque libre del motor. Cuando el motor se detiene, debería escucharse el escape del aire a través de dicha válvula durante unos segundos. No debe escucharse escape alguno mientras el motor está en marcha, ni pérdidas continuas una vez que se alcanzó la presión "de corte".



Protector de sobrecalentamiento del motor: Este motor tiene un protector manual de sobrecarga térmica. Si el motor se sobrecalienta por cualquier motivo, el protector de sobrecarga apaga el motor. Debe

permitirse que el motor enfríe antes de volverlo a arrancar de la siguiente forma:

1. Mover la palanquita de On/Auto/Off a la posición de "Off".
2. Permitir que el motor se enfríe.
3. Presionar el botón rojo de Reinicialización (Reset) que está en el motor.
4. Para arrancar el motor mover la palanquita de On/Auto/Off a la posición de "On/Auto".



Filtro para la entrada del aire (no mostrado): Este filtro está diseñado para limpiar el aire que entra a la bomba. Dicho filtro debe estar siempre limpio y los orificios de ventilación libres de obstrucciones. Vea "Mantenimiento".

CÓMO UTILIZAR SU UNIDAD

Cómo detenerla:

1. Coloque la posición de la llave interruptora On/Auto/Off en la posición "Off".

Antes de ponerlo en marcha

⚠ ADVERTENCIA: No opere esta unidad hasta que haya leído y comprendido este manual de instrucciones de seguridad, operación y mantenimiento.

Procedimiento de asentamiento

⚠ ATENCIÓN: Riesgo daño a la propiedad. Si las siguientes instrucciones no fuesen seguidas estrictamente, podrán ocurrir serios daños.

Este procedimiento es necesario **antes** de poner en servicio el compresor de aire y cuando la válvula reguladora o la bomba completa del compresor hayan sido reemplazadas.

1. Asegúrese que la palanca On/Auto/Off se encuentra en la posición "Off".
2. Verifique el nivel de aceite en la bomba. Para recibir instrucciones, lea al párrafo "Aceite" en la sección Mantenimiento.
3. Vuelva a verificar todas las conexiones. Asegúrese de que todos los cables se encuentren firmes en todos los terminales de sus conexiones. Asegúrese de que todos los contactos se muevan libremente, y que no existan obstrucciones.

4. Abra completamente la válvula de asiento, a fin de permitir el escape del aire y prevenir la acumulación de presión de aire dentro del tanque, durante el período de asentamiento.
5. Mueva la palanca On/Auto/Off a la posición "On/Auto". El compresor se pondrá en marcha.
6. Haga funcionar el compresor durante 20 minutos. Asegúrese que la válvula de asiento se encuentre abierta y que la presión del tanque sea mínima.
7. Aplicando una solución jabonosa, verifique todas las conexiones / cañerías, a fin de detectar fugas de aire. Corrija si fuese necesario. **NOTA:** Pérdidas menores pueden ocasionar una carga adicional de trabajo al compresor, dando como resultado su rotura prematura o una performance inadecuada.
8. Verifique la existencia de vibración excesiva. Reajuste o acúñe el pie del compresor, si ello fuese necesario.
9. Luego de 20 minutos, cierre la válvula de asiento. El aire recibido elevará la presión hasta el punto de la "presión de corte" y ello hará detener el motor.

Antes de cada puesta en marcha

1. Coloque el interruptor On/Auto/Off en la posición "Off" y cierre el regulador de aire.
2. Cierre la válvula de asiento.
3. Conecte la manguera y accesorios

⚠ ADVERTENCIA: Riesgo de operación insegura. Sostenga la manguera firmemente con las manos al instalarla o desconectarla para evitar la desconexión repentina de la manguera

⚠ ADVERTENCIA: Riesgo de operación insegura. No utilice los accesorios dañados o usados.

NOTA: Cuando se instalen accesorios especificados para menos de 175 psi, DEBERÁ instalarse un regulador.

NOTA: Tanto la manguera como los accesorios requerirán un enchufe de conexión rápida si la salida del aire está equipada con un zócalo de conexión rápida.

⚠ ADVERTENCIA: Riesgo de Explosión.

Demasiada presión de aire podrá ser la causa de riesgo de explosión. Verifique los valores de máxima presión dados por el fabricante de las herramientas neumáticas y los accesorios. La presión de salida del regulador jamás debe exceder los valores de máxima presión especificados.

⚠ ATENCIÓN: Riesgo de operación insegura. El aire

comprimido de la unidad puede contener condensación de agua y emanación de aceite. No pulverice aire no filtrado sobre un artículo que podría dañarse con la humedad. Algunos dispositivos o herramientas neumáticas pueden requerir aire filtrado. Lea las instrucciones del dispositivo o la herramienta neumática.

Cómo poner en marcha

1. Mueva la palanca On/Auto/Off a la posición "On/Auto" y deje que se incremente la presión del tanque. El motor se detendrá una vez alcanzado el valor de presión "de corte" del tanque.
2. Cuando la presión del tanque alcance el valor de "presión de corte", se abrirá la válvula de asiento.

IMPORTANTE: al utilizar un regulador y otros accesorios, refiérase a las instrucciones del fabricante.

⚠ ADVERTENCIA: Si observa algún ruido o vibración inusuales, apague el compresor y contacte a un técnico calificado en servicio.

El compresor estará listo para ser usado.

MANTENIMIENTO

RESPONSABILIDADES DEL CLIENTE

	Antes de cada uso	Diariamente o luego de cada uso	Cada 8 horas	Cada 40 horas	Cada 100 horas	Cada 160 horas	Anualmente
Verifique la válvula de seguridad	X						
Drenaje del tanque		X					
Pérdidas de aceite			X				
Verifique el aceite de la bomba			X				
Cambie el aceite de la bomba						X	
Ruido inusual y/o vibración			X				
Filtro de aire					x¹		
Estado de la correa				X			
Alineado de la polea/volante del motor					X		
Válvulas de entrada y escape de la bomba del compresor de aire							X
Inspección de eventuales fugas en las cañerías de aire y las conexiones.	X						
Pernos del Cabezal-Verificar el torque de los pernos del cabezal después de las primeras 5 horas de operación.							
1- Más frecuente en condiciones polvorientas o húmedas.							

⚠ ADVERTENCIA: Riesgo de Operación

Insegura. La unidad arranca automáticamente cuando está enchufada. Al hacer el mantenimiento, el operador puede quedar expuesto a fuentes de corriente y de aire comprimido o a piezas movibles. Antes de intentar hacer reparaciones, desconectar el compresor del tomacorriente, drenar la presión de aire del tanque y esperar a que el compresor se enfríe.

Para asegurar una operación eficiente y una vida útil más prolongada del compresor de aire, debe prepararse y seguirse un programa de mantenimiento rutinario. El programa de mantenimiento rutinario precedente está diseñado para un equipo que funciona diariamente en un ambiente normal de trabajo. Si fuese necesario, debe modificarse el programa para adaptarlo a las condiciones bajo las cuales se usa su compresor. Las modificaciones dependerán de las horas de operación y del ambiente de trabajo. Los compresores

que funcionan en un ambiente sumamente sucio y/u hostil requerirán que hagan todas las inspecciones de mantenimiento con mayor frecuencia.

NOTA: Vea en la sección Operación para la ubicación de los controles.

CÓMO VERIFICAR LA VÁLVULA DE SEGURIDAD

⚠ ADVERTENCIA: Riesgo de Explosión. Si

la válvula de seguridad no trabaja adecuadamente, ello podrá determinar la sobrepresión del tanque, creando el riesgo de su ruptura o explosión.

⚠ ADVERTENCIA: Riesgo de objetos

despedidos. Utilice siempre equipo de seguridad certificado: anteojos de seguridad ANSI Z87.1(CAN/CSA Z94.3) con protección lateral.

1. Antes de poner en marcha el motor, tire del anillo de la válvula de seguridad para confirmar la seguridad de que la misma opera libremente, si la válvula quedase trabada o no trabajara cómodamente, deberá ser reemplazada por el mismo tipo de válvula.

CÓMO DRENAR EL TANQUE

⚠ ADVERTENCIA: Riesgo de operación insegura. Riesgo por ruidos. Los tanques de aire contienen aire de alta presión. Mantenga la cara y otras partes del cuerpo lejos de la salida del drenaje. Utilice anteojos de seguridad ANSI Z87.1(CAN/CSA Z94.3), ya que al drenar se pueden desprender residuos hacia la cara. Utilice protección auditiva ANSI S12.6 (S3.19) , ya que el ruido del flujo de aire es alto durante el drenaje.

NOTA: La operación del compresor de aire causa condensación que se acumula dentro del tanque de aire. Drene siempre el tanque sobre una superficie lavable o dentro de un contenedor apropiado, con el objeto de prevenir daños o el manchado de superficies.

1. Coloque la palanca On/Auto/Off en la posición "Off".
2. Cierre la válvula de asiento.
3. Remueva la herramienta neumática o el accesorio.
4. Abra la válvula de asiento y lentamente deje purgar el aire del tanque de aire, hasta que la presión del mismo llegue aproximadamente a 20 psi.
5. Cierre la válvula de asiento.
6. Drene el agua contenida en el tanque de aire, abriendo la válvula de drenaje ubicada en la base del tanque.

⚠ ADVERTENCIA: Riesgo de Explosión. El agua se condensa dentro del tanque de aire. Si no se la drena, lo corroerá debilitando sus paredes, poniendo en riesgo la ruptura del tanque de aire.

⚠ ATENCIÓN: Riesgo de daño a la propiedad. Drene el agua del tanque de aire puede contener aceite y óxido, lo que puede provocar manchas.

7. Una vez drenada el agua, cierre la válvula de drenaje. Ahora el compresor de aire podrá ser guardado.

NOTA: Si la válvula de drenaje fuera del tipo enchufe, elimine toda la presión de aire. La válvula podrá entonces ser extraída, limpiada y finalmente reinstalada.

ACEITE

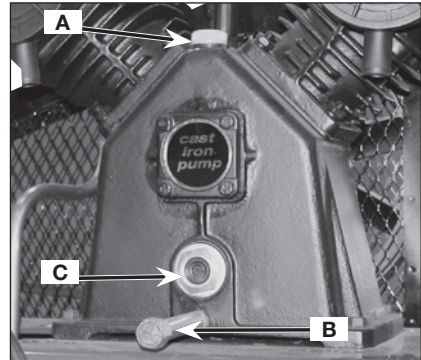
⚠ ATENCIÓN: Sólo utilice aceite específico para compresores de aire. Los aceites para automóviles de diversos pesos como 10W30 no deben utilizarse para los compresores de aire. Dejan depósitos de carbono en componentes críticos, disminuyendo de esa forma el rendimiento y la vida útil del compresor. life.

NOTA: Utilice aceite para compresor 30W o 30W grado SAE para trabajo pesado, no detergente, nivel SF o un aceite mejor. NO utilice aceites para automóviles de diversos pesos, reducirán la vida útil del compresor. En condiciones extremas de invierno utilice aceite de peso 10, grado SAE.

NOTA: La capacidad de aceite del cárter del cigüeñal es de aproximadamente 48 onzas fluidas (1,4 litros).

Verificación

1. El nivel de aceite deberá llegar a la mitad del visor de vidrio (C).
2. En caso de necesidad quite el tapón de llenado de aceite (A) y agregue lentamente aceite hasta alcanzar la mitad del visor de vidrio.



Cambio

1. Extraiga el tapón del aceite (A).
2. Extraiga del tapón de drenaje del aceite (B) y drene el aceite en un recipiente adecuado.
3. Reponga el tapón de drenaje del aceite (B) y ajústelo firmemente.
4. Agregue aceite lentamente al compresor hasta que el nivel alcance la mitad del visor de vidrio (C). **NOTA:** Al llenar el cárter del cigüeñal, el aceite fluye muy lentamente dentro de la bomba. Si el aceite fuese agregado rápidamente rebalsará y aparentará haberse llenado.

⚠ ATENCIÓN: Riesgo de Operación Insegura. Sobrepasar el nivel de aceite causará la falla prematura del compresor. No exceda su llenado.

- Reponga el tapón del aceite (A) y ajústelo firmemente.

FILTRO DE AIRE - INSPECCIÓN Y REEMPLAZO

⚠ ADVERTENCIA: Superficies calientes. Riesgo de quemaduras. Las cabezas del compresor están expuestas cuando se retira la cubierta del filtro. Deje enfriar al compresor antes de darle servicio.

⚠ ATENCIÓN: Mantenga limpio el filtro de aire en todo momento. No haga funcionar el compresor de aire sin su filtro de aire.

Un filtro de aire sucio no permitirá que el compresor opere a plena capacidad. Mantenga el filtro de aire limpio en todo momento.

- Extraiga el filtro de aire.
- Retire la tapa del filtro de aire.
- Extraiga el filtro de aire de la cubierta.

IMPORTANTE: No opere el compresor sin su filtro de aire.

- Instale un nuevo filtro de aire dentro la cubierta del filtro. Para obtener el número de pieza correcto, refiérase a "Piezas de reparación"
- Reponga la cubierta del filtro del aire y rearme el filtro de aire a la bomba.

CORREA - REEMPLAZO

(Referirse al manual de partes para obtener el número de parte de la correa de repuesto.)

⚠ ADVERTENCIA: Pueden ocurrir serios daños personales si las piezas móviles atrapan partes del cuerpo o artículos sueltos. Nunca opere el equipo sin el cobertor de la correa. Sólo debe quitarse el cobertor de la correa cuando se desconecta el compresor de aire.

- Apagar el compresor de aire, desconectar el suministro eléctrico, y liberar toda presión de aire dentro del tanque.
- Extraiga la protección de la correa.
- Marque la posición de la bomba sobre el montante.
- Afloje los tornillos montantes del motor y deslice éste hacia el compresor.

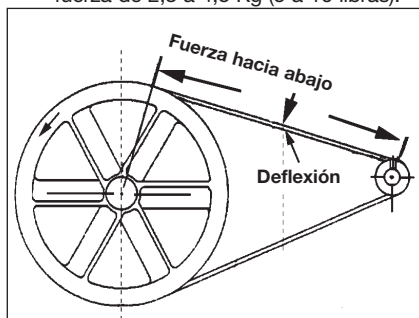
- Retire la correa y reemplácela por una nueva.

⚠ ADVERTENCIA: Riesgo por piezas móviles. Sea precavido cuando haga avanzar la correa sobre el volante, ya que los dedos podrían quedar atrapados entre ambas partes.

- Vea "Regulación de la tensión de la correa" antes de ajustar los tornillos montantes del motor.

REGULACIÓN DE LA TENSIÓN DE LA CORREA

- Deslice el motor a su posición original; alinéelo con la marca efectuada antes sobre el montante.
- Ajuste los dos tornillos exteriores del motor, lo suficiente para sostener a éste en posición hasta verificar la alineación de la polea y el volante.
- La correa debe flexionarse 4,8 mm (3/16 pulg.) en el punto medio de la distancia entre la polea y el volante cuando en ese punto se aplique una fuerza de 2,3 a 4,5 Kg (5 a 10 libras).



- Una vez lograda la tensión adecuada, ajuste los cuatro tornillos montantes. Vea el Manual de partes para informarse acerca de las especificaciones de torque.

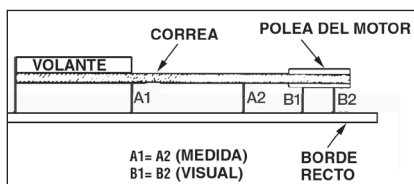
NOTA: Una vez que la polea del motor ha sido movida, a partir de su instalación original de fábrica, las ranuras del volante y la polea deben alinearse dentro un rango de variación de 1,6 mm (1/16 pulg.), para prevenir un excesivo desgaste de la correa. Verifique la alineación ejecutando el siguiente procedimiento de alineación polea-volante.

Polea y volante – Alineación

NOTA: Una vez que la polea del motor ha sido movida, punto de su instalación original de fábrica, las ranuras del volante y la polea deben alinearse dentro un rango de variación de 1,6 mm (1/16 pulg.), para prevenir un excesivo desgaste de la correa.

El volante del compresor de aire y la polea del motor deben estar en línea (en el mismo plano) dentro de una variación de 1,6 mm (1/16 pulg.), para asegurar la retención de la correa dentro de las ranuras del volante. Para verificar la alineación ejecute los siguientes pasos:

1. Apagar el compresor de aire, desconectar el suministro eléctrico, y liberar toda presión de aire dentro del tanque.
2. Remueva la defensa de la correa.
3. Coloque una regla contra el lado exterior del volante y la polea de empuje del motor.



4. Mida la distancia entre el borde de la correa y la regla, en el punto A1-A2 de la figura. La diferencia entre las mediciones no debe ser mayor que 1,6 mm (1/16 pulg.).
5. Si la diferencia es mayor que 1,6 mm (1/16 pulg.), afloje el tornillo de fijación que sostiene la polea propulsora del motor al eje y regule la posición de la polea en el eje hasta que las medidas A1 y A2 se encuentren a 1,6 mm (1/16 pulg.) entre sí.
6. Ajuste los tornillos de fijación de la polea del motor. Vea el Manual de partes para informarse de las especificaciones de torque.
7. Verifique visualmente que la polea de empuje del motor esté perpendicular al eje del mismo. Los puntos B1 y B2 de la figura deben parecer iguales. Si así no fuera, afloje el juego de tornillos de fijación de la polea de empuje del motor e iguale B1 y B2, teniendo cuidado de no alterar la alineación de la correa ejecutada en el paso 2.

8. Reajuste los tornillos de fijación de la polea de empuje del motor vea el manual de piezas para informarse de las especificaciones de torque.
9. Reinstale la defensa de la correa.

VÁLVULAS DE ENTRADA Y SALIDA DE LA BOMBA DEL COMPRESOR DE AIRE

Una vez al año haga que un técnico capacitado de servicio inspeccione las válvulas de entrada y **salida** de la bomba del compresor de aire.

INSPECCIÓN DE LAS CAÑERÍAS DE AIRE Y LAS CONEXIONES PARA DETECTAR FUGAS

1. Ponga en marcha el compresor de aire para permitir inspeccionar la existencia de fugas de aire.
2. Aplique una solución jabonosa a todos los acoplamientos de aire y las conexiones / cañerías.
3. Corrija cualquier pérdida encontrada.

IMPORTANTE: Incluso pérdidas menores, pueden causar una carga adicional de trabajo al compresor, dando como resultado su rotura prematura o una performance inadecuada.

TORNILLOS DEL CABEZAL DEL COMPRESOR DE AIRE. - TORQUE

Los tornillos del cabezal del compresor de aire deben mantenerse debidamente ajustados. Verifique el torque de los tornillos del cabezal luego de las primeras cinco horas de operación. Reajústelos si fuese necesario. Vea el Manual de partes para informarse de las especificaciones de torque.

SERVICIO Y AJUSTES

SERVICIO Y AJUSTE TODO TIPO DE MANTENIMIENTO Y REPARACIONES NO MENCIONADOS EN ESTE MANUAL, DEBERÁN SER EFECTUADOS POR PERSONAL TÉCNICO ESPECIALIZADO.

⚠ ADVERTENCIA: Riesgo de Operación Insegura. La unidad arranca automáticamente cuando está enchufada. Al hacer el mantenimiento, el operador puede quedar expuesto a fuentes de corriente y de aire comprimido o a piezas móviles. Antes de intentar hacer reparaciones, desconectar el compresor del tomacorriente, drenar la presión de aire del tanque y esperar a que el compresor se enfríe.

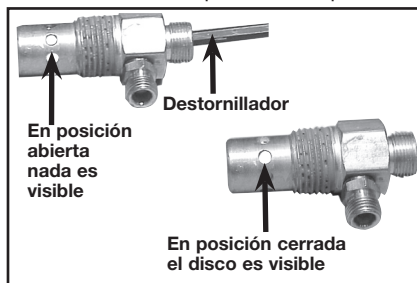
PARA REEMPLAZAR O LIMPIAR LA VÁLVULA DE RETENCIÓN

1. Libere toda la presión del tanque de aire. Vea "Cómo Drenar el Tanque" en la sección Mantenimiento.
2. Desenchufe el equipo.
3. Utilizando una llave regulable, afloje la tuerca del tubo de salida del tanque de aire y la bomba. Retire cuidadosamente la tubería de salida de la válvula de retención.
4. Utilizando una llave regulable, afloje la tuerca del tubo aliviador de presión en el tanque de aire y el interruptor de presión. Retire cuidadosamente la tubería de alivio de presión de la válvula de retención.
5. Desensrosque la válvula de retención girándola hacia la izquierda usando una llave de boca de 22 mm (7/8 pulg.). Tome **nota** de la orientación para volverla a ensamblar.
6. Usando un destornillador, empuje con cuidado el disco de la válvula hacia arriba y hacia abajo. **NOTA:** El disco de la válvula debe moverse libremente hacia arriba y hacia abajo sobre un resorte que detiene el disco de la válvula en la posición cerrada. Si no lo hace, la válvula de retención necesita ser limpiada o reemplazada.

7. Limpie o reemplace la válvula de retención. Un solvente, tal como un removedor de pintura o de barniz puede usarse para limpiar la válvula de retención.
8. Aplique sellador a las roscas de la válvula de retención. Vuelva a instalar la válvula de retención (gire a la derecha).
9. Vuelva a instalar la tubería de alivio de presión. Ajuste las tuercas.
10. Vuelva a instalar la tubería de salida y ajuste las tuercas.
11. Ejecute el procedimiento de puesta en marcha. Vea Procedimiento de Puesta en Marcha" en la sección Operación.

SERVICIO ADICIONAL

No se recomienda desarmar ni darle servicio a este compresor de aire más allá de lo tratado en este manual. Si se requiere de servicios adicionales, contactarse con el Centro de Servicios de Garantía Autorizado más cercano.



ALMACENAJE

Antes de guardar su compresor de aire, asegúrese de hacer lo siguiente:

1. Revise la sección Mantenimiento de las páginas precedentes y ejecute el mantenimiento programado de acuerdo a la necesidad.
2. Coloque la palanca On/Auto/Off en la posición "Off".
3. Cierre la válvula de asiento
4. Extraiga la herramienta neumática o el accesorio.
5. Abra la válvula de asiento y lentamente deje purgar el aire del tanque de aire, hasta que la presión del mismo llegue aproximadamente a 20 psi.
6. Drene el agua del tanque de aire abriendo la válvula de drenaje ubicada en el fondo del tanque.

⚠ ADVERTENCIA: El agua se condensa dentro del tanque de aire. Si no se drena, ella corroerá debilitando las paredes del tanque de aire, originando un riesgo de ruptura de sus paredes.

7. Una vez que el agua haya sido drenada, cierre la válvula de drenaje.

NOTA: Si la válvula de drenaje estuviese enchufada, libere toda la presión de aire. La válvula podrá ser extraída, limpiada y luego reinstalada.

8. Proteja la manguera del aire de daños (tales como ser pisoteada o caminar por encima).

Almacene el compresor de aire en un sitio limpio y seco.

GUÍA DE DIAGNÓSTICO DE PROBLEMAS

⚠ ADVERTENCIA: Riesgo de Operación Insegura. La unidad arranca automáticamente cuando está enchufada. Al hacer el mantenimiento, el operador puede quedar expuesto a fuentes de corriente y de aire comprimido o a piezas móviles. Antes de intentar hacer reparaciones, desconectar el compresor del tomacorriente, drenar la presión de aire del tanque y esperar a que el compresor se enfríe.

PROBLEMA	CAUSA	CORRECCIÓN
Presión excesiva del tanque - la válvula de seguridad se dispara	El interruptor de presión no interrumpe al motor cuando el compresor alcanza la presión "de corte".	Mueva la palanca On/Auto/Off a la posición "Off", si el equipo no corta, contacte a un técnico calificado para el servicio.
	El interruptor de presión "de corte" esta calibrado demasiado alto.	Contacte a un técnico de servicio calificado.
Las conexiones pierden aire	Las conexiones de los tubos no están suficientemente ajustadas	Ajuste las conexiones en las que el aire puede ser escuchado escapándose. Verifique las conexiones con solución jabonosa y agua. NO SOBREAJUSTE.
Hay fugas de aire en la válvula de retención o dentro de ella	Compruebe si el asiento de la válvula está dañado.	Una válvula de retención defectuosa causa una fuga constante de aire en la válvula de alivio de presión cuando hay presión en el tanque y se apaga el compresor. Reemplace la válvula de retención. Consulte "cómo reemplazar o limpiar la válvula de retención" en la sección Operación.

PROBLEMA	CAUSA	CORRECCIÓN
Pérdida de presión de aire en el interruptor de la válvula aliviadora	Un interruptor de presión defectuoso libera la válvula.	Contacte a un técnico calificado en servicio.
Pérdida de aire en el tanque de aire o en las soldaduras del tanque de aire	Tanque de aire defectuoso.	El tanque de aire debe ser reemplazado. No repare la pérdida. ⚠ ADVERTENCIA: Riesgo de Explosión. No efectúe perforación alguna sobre la soldadura o cosa semejante sobre el tanque de aire, ello lo debilitará. El tanque podría romperse o explotar.
Pérdida de aire entre el cabezal y el plato de válvula	Pérdida en el sellado.	Contacte a un técnico calificado en servicio.
La lectura de la presión sobre un manómetro (si viene equipado con éste) desciende cuando se utiliza un accesorio	Es normal que ocurra "algún" descenso en la presión.	Si hubiese una caída excesiva de presión durante el uso del accesorio, ajuste el regulador de acuerdo a las instrucciones de la sección Operación. NOTA: Ajuste la presión regulada bajo condiciones de flujo (mientras se esté usando el accesorio).
Pérdida de aire en la válvula de seguridad	Posible defecto en la válvula de seguridad.	Opere manualmente la válvula de seguridad, extrayéndola por su anillo. Si la válvula pierde, deberá ser reemplazada.
El compresor no esta suministrando suficiente cantidad de aire para operar los accesorios	Excesivo y prolongado uso del aire.	Disminuya la cantidad de uso de aire.
	El compresor no tiene suficiente capacidad para el requerimiento de aire al que está sometido.	Verifique el requerimiento de aire del accesorio. Si es mayor que SCFM o la presión suministrada por su compresor de aire, se necesita un compresor de mayor capacidad.
	Orificio en la manguera	Verifique y reemplace si fuese necesario.
	Válvula reguladora restringida.	Extraiga, limpie o reemplace.
	Pérdida de aire.	Ajuste las conexiones.
	Filtro de entrada de aire restringido	Limpie o reemplace el filtro de entrada de aire. No opere el compresor de aire sin el filtro.
	Correa suelta.	Verifique la tensión de la correa, lea Ajuste de la tensión de la correa, en la sección Mantenimiento.
Toma de aire restringida	Filtro de aire sucio	Limpie o reemplace. Ver el párrafo "filtro de aire" en la sección Mantenimiento.

PROBLEMA	CAUSA	CORRECCIÓN
El motor no funciona	El interruptor de protección de sobrecarga del motor se ha abierto.	Consulte "Protector de sobrecalentamiento del motor" en la sección Operación. Si la protección de la sobrecarga del motor dispara con frecuencia, comuníquese con un técnico de servicio calificado.
	La presión del tanque excede la presión de "corte máximo" del interruptor de presión.	El motor arrancará automáticamente cuando la presión del tanque caiga por debajo de la presión de corte máxima del interruptor de presión
	La válvula de retención se ha quedado abierta.	Retire y limpie, o reemplace.
	Conexiones eléctricas sueltas.	Compruebe la conexión de cableado dentro del interruptor de presión y del área de la caja de terminales.
	Posible motor o capacitor de arranque defectuosos	Haga inspeccionar por un técnico capacitado de servicio.
	Rociado de pintura en las partes internas del motor.	Haga inspeccionar por un técnico capacitado de servicio. No haga funcionar el compresor en el área de pintura por rociado. Vea la advertencia acerca de vapores inflamables
	La válvula de liberación de presión en el interruptor de presión no ha descargado la carga de presión.	Purgue la línea empujando la palanca en el interruptor de presión a la posición "OFF" [Apagado]; si la válvula no se abre, reemplace el interruptor.
El motor no funciona	Fusible quemado, disyuntor abierto.	<ol style="list-style-type: none"> 1. Inspeccione la caja de fusibles para determinar si hay fusibles quemados y reemplácelos según sea necesario. Reajuste el disyuntor. No use un fusible o disyuntor con capacidad mayor que la especificada para su circuito especificado. 2. Compruebe si el fusible es el correcto. Debe usar un fusible de acción retardada. 3. Compruebe si existen condiciones de bajo voltaje y/o si el cordón de extensión es el correcto. 4. Desconecte todos los otros artefactos eléctricos del circuito u opere el compresor en su propio circuito.
Salta la válvula de seguridad	El interruptor de presión, la válvula de retención o la bomba pueden estar necesitando mantenimiento.	Contacte a un técnico calificado en servicio.

PROBLEMA	CAUSA	CORRECCIÓN
Golpeteo	Posible defecto en la válvula de seguridad.	Opere la válvula de seguridad manualmente tirando de su anillo. Si la válvula aun pierde, deberá ser reemplazada.
	Posible defecto en la válvula de seguridad.	Extraiga y limpie o reemplace.
	Polea floja	Ajuste el tornillo de la polea a ,Vea el manual de piezas para conocer las especificaciones de torque.
	Volante flojo	Ajuste el tornillo del volante, Vea el manual de piezas para conocer las especificaciones de torque.
	Tornillos montantes del compresor flojos	Ajustar los tornillos de montaje a , Vea el manual de piezas para conocer las especificaciones de torque.
	Correa floja	Verifique la tensión de la corra, lea Ajuste de la tensión de la correa, en la sección Mantenimiento.
	Acumulación de carbón en la bomba.	Hágala verificar por un técnico entrenado.
	Correa demasiado ajustada.	Verifique la tensión de la corra, lea Ajuste de la tensión de la correa, en la sección Mantenimiento.
Excesivo desgaste de la correa	Correa suelta.	Verifique la tensión de la corra, lea Ajuste de la tensión de la correa, en la sección Mantenimiento.
	Correa demasiado ajustada.	Verifique la tensión de la corra, lea Ajuste de la tensión de la correa, en la sección Mantenimiento.
	Polea floja	Hágala verificar por un técnico entrenado.
	Polea desalineada.	Ver el párrafo "alineación de polea/ volante del motor" en la sección Mantenimiento.
Sonido a chiflido	La bomba del compresor no tiene aceite.	Ver "verificación del aceite" en la sección Mantenimiento.
	Correa suelta	Verifique la tensión de la corra, lea Ajuste de la tensión de la correa, en la sección Mantenimiento.

Repair Protection Agreements

Congratulations on making a smart purchase. Your new Craftsman® product is designed and manufactured for years of dependable operation. But like all products, it may require repair from time to time. That's when having a Repair Protection Agreement can save you money and aggravation.

Purchase a Repair Protection Agreement now and protect yourself from unexpected hassle and expense.

Here's what's included in the Agreement:

- Expert service** by our 12,000 professional repair specialists
- Unlimited service and no charge** for parts and labor on all covered repairs
- Product replacement** if your covered product can't be fixed
- Discount of 10%** from regular price of service and service-related parts not covered by the agreement; also, 10% off regular price of preventive maintenance check
- Fast help by phone** - phone support from a Sears technician on products requiring in-home repair, plus convenient repair scheduling

Once you purchase the Agreement, a simple phone call is all that it takes for you to schedule service. You can call anytime day or night, or schedule a service appointment online.

Sears has over 12,000 professional repair specialists, who have access to over 4.5 million quality parts and accessories. That's the kind of professionalism you can count on to help prolong the life of your new purchase for years to come. Purchase your Repair Protection Agreement today!

Some limitations and exclusions apply.

For prices and additional information call 1-800-827-6655.

Sears Installation Service

For Sears professional installation of home appliances, garage door openers, water heaters, and other major home items, in the U.S.A. call 1-800-4-MY-HOME®

Contratos de Protección para Reparaciones

Felicitaciones por hacer una compra inteligente. Su nueva unidad Craftsman® está diseñada y fabricada para años de operación confiable; pero como todos los productos de calidad podrían requerir reparaciones de vez en cuando. Ahí es cuando el Contrato de Protección para Reparaciones le puede ahorrar dinero y molestias.

Compre ahora un Contrato de Protección para Reparaciones y protéjase contra apuros y gastos inesperados.

El contrato incluye lo siguiente:

- Servicio Experto** por uno de nuestros 12.000 profesionales especializados en reparaciones.
- Servicio ilimitado sin cargos** por repuestos ni mano de obra por todas las reparaciones cubiertas,
- Reemplazo de la unidad** si su unidad cubierta no puede repararse.
- Descuento del 10%** en servicios y repuestos no cubiertos por este contrato. También 10% de descuento del precio regular por cualquier inspección de mantenimiento preventivo.
- Asistencia telefónica rápida** por personal técnico de soporte de Sears para las unidades que requieran repararse en su domicilio en horarios convenientes para usted.

Una vez que usted compre su Contrato, sólo necesita hacer una simple llamada telefónica para programar su servicio. Puede llamar a cualquier hora, en el día o la noche, o hacerlo por línea vía internet.

Sears tiene más de 12.000 profesionales especializados en reparaciones que tienen acceso a más 4,5 millones de repuestos y accesorios de calidad. Ese es el tipo de profesionalismo con el cual usted puede contar para ayudarle a prolongar la vida útil de su unidad durante todos los años por venir. ¡Compre hoy su Contrato de Protección para Reparaciones!

Se aplican algunas limitaciones y exclusiones. Para precios e información adicional, llame al 1-800-827-6655.

Servicio de Instalaciones de Sears

Para instalaciones profesionales por Sears de artefactos para el hogar, como abridores de puertas de garajes calentadores de agua y otros artefactos grandes del hogar, en EE.UU. llame al 1-800-4-MY-HOME®

Get it fixed, at your home or ours!

Your Home

For repair – **in your home** – of **all** major brand appliances, lawn and garden equipment, or heating and cooling systems, **no matter who made it, no matter who sold it!**

For the replacement parts, accessories and owner's manuals that you need to do-it-yourself.

For Sears professional installation of home appliances and items like garage door openers and water heaters.

1-800-4-MY-HOME® Anytime, day or night
(1-800-469-4663) (U.S.A. and Canada)
www.sears.com www.sears.ca

Our Home

For repair of carry-in products like vacuums, lawn equipment, and electronics, call or go on-line for the nearest **Sears Parts and Repair Center.**

1-800-488-1222 Anytime, day or night (U.S.A. only)
www.sears.com

To purchase a protection agreement (U.S.A.) or maintenance agreement (Canada) on a product serviced by Sears:

1-800-827-6655 (U.S.A.) **1-800-361-6665** (Canada)

Para pedir servicio de reparación a domicilio, y para ordenar piezas:

1-888-SU-HOGARSM
(1-888-784-6427)

Au Canada pour service en français:

1-800-LE-FOYER^{MC}
(1-800-533-6937)
www.sears.ca

SEARS