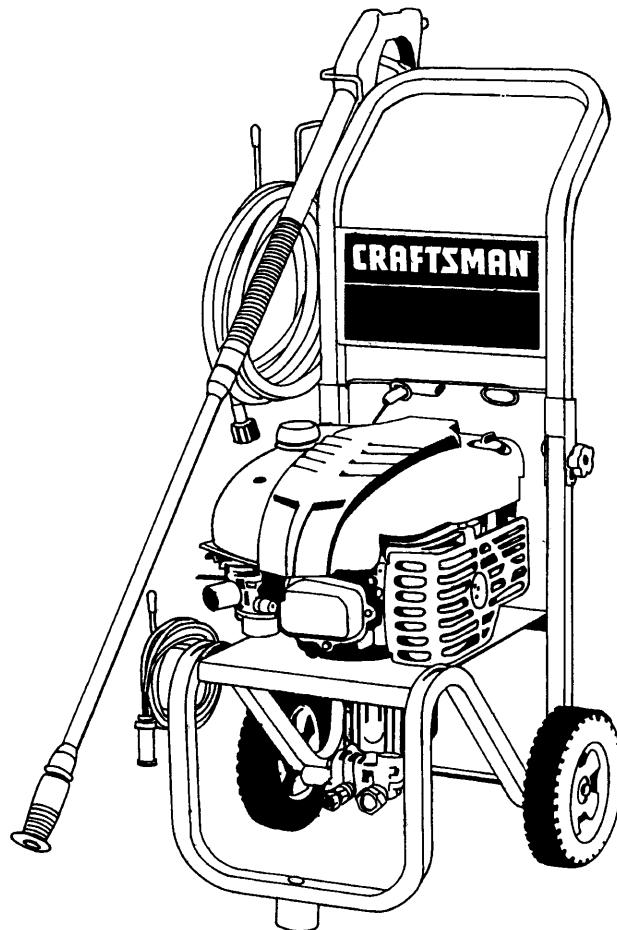


**OWNER'S MANUAL**  
**CRAFTSMAN®**

**6.0 Horsepower**  
**2350 PSI 2.2 GPM**  
**High Pressure Washer**

**Model No:**  
**919.762350**



**WARNING:** Before using this product, read this manual and follow all Safety Rules and Operating Instructions.



**PRESSURE WASHER**  
**CUSTOMER**  
**HELPLINE**  
**1-800-245-5873**

- Safety
- Assembly
- Operation
- Maintenance
- Parts List
- Español

**Sears, Roebuck and Co., Hoffman Estates, IL 60179 U.S.A.**

# TABLE OF CONTENTS

Warranty .....	2	Service and Adjustments.....	13-14
Safety Guidelines .....	3-5	Storage .....	14
Assembly .....	5-7	Troubleshooting .....	15
Operation .....	7-10	Parts.....	16-27
Maintenance .....	11-13	EPA Codes.....	28-29
		How to Order Parts .....	Back Cover
		Español .....	34-51

## **LIMITED ONE YEAR WARRANTY ON CRAFTSMAN HIGH PRESSURE WASHER**

For one year from the date of purchase, when this Craftsman High Pressure Washer is maintained and operated according to the instructions in the owner's manual, Sears will repair, free of charge, any defect in material and workmanship.

If your Craftsman Pressure Washer is used for commercial or rental purposes, this warranty applies only for 90 days from the date of purchase.

## **LIMITED ONE YEAR WARRANTY ON CRAFTSMAN ENGINE**

Maintenance, replacement or repair of the emission control devices and systems may be performed by any nonroad engine repair establishment or individual. However, to obtain no charge repairs under the terms and provisions of Craftsman warranty statement, any service or emission control part repair or replacement must be performed by a factory authorized dealer.

For one year from the date of purchase, when this Craftsman engine is maintained and operated according to the instructions in the owner's manual, Sears will repair, free of charge, any defect in material and workmanship.

If your Craftsman engine is used for commercial or rental purposes, this warranty applies only for 90 days from the date of purchase. This warranty does not cover: Expendable items such as spark plugs and air filters, which become worn during normal use.

Repairs necessary because of operator abuse or negligence, including damage resulting from no water being supplied to pump or failure to maintain the equipment according to the instructions contained in the owner's manual, are not covered under warranty.

WARRANTY SERVICE IS AVAILABLE BY RETURNING THE HIGH PRESSURE WASHER TO THE NEAREST SEARS SERVICE CENTER/DEPARTMENT THROUGHOUT THE UNITED STATES. This, warranty gives you specific legal rights and you may also have other rights, which vary from state to state.

**Sears, Roebuck and Co., D/817 WA, Hoffman Estates, IL 60179**

## SAFETY GUIDELINES - DEFINITIONS

This manual contains information that is important for you to know and understand. This information relates to protecting **YOUR SAFETY** and **PREVENTING EQUIPMENT PROBLEMS**. To help you recognize this information, we use the symbols below. Please read the manual and pay attention to these sections. **SAVE THESE DEFINITIONS/INSTRUCTIONS.**

▲ **WARNING** indicates a potentially hazardous situation which, if not avoided, **could** result in **death or serious injury**.

▲ **DANGER** indicates an imminently hazardous situation which, if not avoided, **will** result in **death or serious injury**.



▲ **CAUTION** indicates a potentially hazardous situation which, if not avoided, **may** result in **minor or moderate injury**.

10/2/97

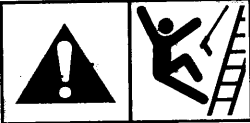




## IMPORTANT SAFETY INSTRUCTIONS

### ▲ WARNING


Improper operation or maintenance of this product could result in serious injury and property damage. Read and understand all warnings and operating instructions before using.





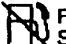


HAZARD	WHAT CAN HAPPEN	HOW TO PREVENT IT
<p style="text-align: center;"><b>▲ DANGER</b></p> <p style="text-align: center;"><b>RISK OF EXPLOSION OR FIRE</b></p> 	<ul style="list-style-type: none"> <li>• Spilled gasoline and its vapors can become ignited from cigarette sparks, electrical arcing, exhaust gases, and hot engine components such as the muffler.</li> <li>• Heat will expand fuel in the tank which could result in spillage and possible fire explosion.</li> <li>• Operating the pressure washer in an explosive environment could result in a fire.</li> <li>• Materials placed against or near the pressure washer can interfere with its proper ventilation features causing overheating and possible ignition of the materials.</li> <li>• Improperly stored fuel could lead to accidental ignition. Fuel improperly secured could get into the hands of children or other unqualified persons.</li> </ul>	<ul style="list-style-type: none"> <li>• Shut off engine and allow it to cool before adding fuel to the tank.</li> <li>• Use care in filling tank to avoid spilling fuel. Move pressure washer away from fueling area before starting engine.</li> <li>• Keep maximum fuel level ½" below top of tank to allow for expansion.</li> <li>• Operate and fuel equipment in well ventilated areas free from obstructions. Equip areas with fire extinguishers suitable for gasoline fires.</li> <li>• Never operate pressure washer in an area containing dry brush or weeds.</li> <li>• Store fuel in container approved for gasoline, in a secure location away from work area.</li> </ul>
<p style="text-align: center;"><b>▲ DANGER</b></p> <p style="text-align: center;"><b>RISK TO BREATHING</b></p> 	<ul style="list-style-type: none"> <li>• Breathing exhaust fumes will cause serious injury or death.</li> <li>• Some cleaning fluids contain substances which could cause injury to skin, eyes, or lungs.</li> </ul>	<ul style="list-style-type: none"> <li>• Operate pressure washer in a well ventilated area. Avoid enclosed areas such as garages, basements ,etc.</li> <li>• Never operate unit in a location occupied by humans or animals.</li> <li>• Use only cleaning fluids specifically recommended for high pressure washers. Follow manufacturers recommendations.</li> </ul>

# IMPORTANT SAFETY INSTRUCTIONS (cont'd)

HAZARD	WHAT CAN HAPPEN	HOW TO PREVENT IT
<p><b>⚠ WARNING</b> <b>RISK OF UNSAFE OPERATION</b></p> 	<ul style="list-style-type: none"> <li>• Unsafe operation of your pressure washer could lead to serious injury or death to you or others.</li> <li>• The spray gun/wand is a powerful cleaning tool that could look like a toy to a child.</li> <li>• Reactive force of spray will cause gun/wand to move, and could cause the operator to slip or fall, or misdirect the spray. Improper control of gun/wand can result in injuries to self and others.</li> </ul>	<ul style="list-style-type: none"> <li>• Become familiar with the operation and controls of the pressure washer.</li> <li>• Keep children away from the pressure washer at all times.</li> <li>• Never defeat the safety features of this product.</li> <li>• Do not operate machine with missing, broken, or unauthorized parts.</li> <li>• Never leave wand unattended while unit is running.</li> <li>• Keep work area free of obstacles.</li> <li>• Stand on a stable surface and grip gun/wand firmly. Expect the gun to kick when triggered.</li> </ul>
<p><b>⚠ WARNING</b> <b>RISK OF INJURY FROM SPRAY</b></p> 	<ul style="list-style-type: none"> <li>• High velocity fluid spray can cause objects to break, propelling particles at high speed.</li> <li>• Light or unsecured objects can become hazardous projectiles.</li> </ul>	<ul style="list-style-type: none"> <li>• Always wear ANSI approved Z87 safety glasses. Wear protective clothing to protect against accidental spraying.</li> <li>• Never point wand at, or spray people or animals.</li> <li>• Always secure trigger lock when wand is not in service to prevent accidental operation.</li> <li>• Never permanently secure trigger in pull back (open) position.</li> </ul>
<p><b>⚠ WARNING</b> <b>RISK OF ELECTRICAL SHOCK</b></p> 	<ul style="list-style-type: none"> <li>• Spray directed at electrical outlets or switches, or objects connected to an electrical circuit, could result in a fatal electrical shock.</li> </ul>	<ul style="list-style-type: none"> <li>• Unplug any electrically operated product before attempting to clean it. Direct spray away from electric outlets and switches.</li> </ul>
<p><b>⚠ WARNING</b> <b>RISK OF FLUID INJECTION</b></p> 	<ul style="list-style-type: none"> <li>• Your washer operates at fluid pressures and velocities high enough to penetrate human and animal flesh, which could result in amputation or other serious injury. Leaks caused by loose fittings or worn or damaged hoses can result in injection injuries. <b>DO NOT TREAT FLUID INJECTION AS A SIMPLE CUT!</b> See a physician immediately!</li> <li>• Relieve system pressure before attempting maintenance or disassembly of equipment.</li> </ul>	<ul style="list-style-type: none"> <li>• Never place hands in front of nozzle.</li> <li>• Direct spray away from self and others.</li> <li>• Make sure hose and fittings are tightened and in good condition. Never hold onto the hose or fittings during operation.</li> <li>• Do not allow hose to contact muffler.</li> <li>• Never attach or remove wand or hose fittings while system is pressurized.</li> <li>• Use only hose and high pressure accessories rated for 2000 PSI service.</li> <li>• To relieve system pressure, shut off engine, turn off water supply, and pull gun trigger until water stops flowing.</li> </ul>
<p><b>⚠ WARNING</b> <b>RISK OF CHEMICAL BURN</b></p> 	<ul style="list-style-type: none"> <li>• Use of acids, toxic or corrosive chemicals, poisons, insecticides, or any kind of flammable solvent with this product could result in serious injury or death.</li> </ul>	<ul style="list-style-type: none"> <li>• Do not use acids, gasoline, kerosene, or any other flammable materials in this product. Use only household detergents, cleaners and degreasers recommended for use in pressure washers.</li> <li>• Wear protective clothing to protect eyes and skin from contact with sprayed materials.</li> </ul>

# IMPORTANT SAFETY INSTRUCTIONS (cont'd)

HAZARD	WHAT CAN HAPPEN	HOW TO PREVENT IT
<p><b>⚠ WARNING</b> <b>RISK OF HOT SURFACES</b></p> 	<ul style="list-style-type: none"> <li>Contact with hot surfaces, such as engines exhaust components, could result in serious burn.</li> </ul>	<ul style="list-style-type: none"> <li>During operation, touch only the control surfaces of the pressure washer. Keep children away from the pressure washer at all times. They may not be able to recognize the hazards of this product.</li> </ul>

International Symbols:   Safety Alert - Read Owner's Manual  On Off  Stop  Fuel Shutoff  Fuel  Choke

## IMPORTANT:

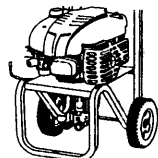
The powerful spray from your pressure washer is capable of causing damage to fragile surfaces such as: wood, glass, automobile paint, auto stripping and trim, and delicate objects such as flowers and shrubs. Before spraying, check the item to be cleaned to assure yourself that it is robust enough to resist damage from the force of the spray. Avoid the use of the concentrated spray stream except for very strong surfaces like concrete and steel.

Operating unit with water supply shut off without flow of water will result in equipment damage. You should never run this pressure washer for more than 2 minutes without pulling the trigger to allow cool water to enter the pump and the heated (recirculated) water to exit. Running the pressure washer with water supply shut off will void your warranty.

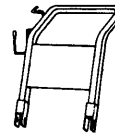
## ASSEMBLY

### Carton Contents

- Main Unit pressure washer with wheels
- Handle
- High Pressure Hose
- Chemical Pickup Hose and Filter
- Gun
- Wand



Main Unit pressure washer with wheels



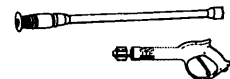
Handle



High Pressure Hose



Chemical Pickup Hose and Filter



Gun and Wand

### Bag Containing

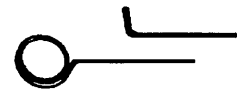
- Video Cassette
- Owners' Manual
- Nozzle Cleaning Kit and Replacement O-Rings
- Engine Oil
- Rubber Isolator and Mounting Hardware
- Handle Mounting Hardware



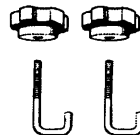
Video Cassette



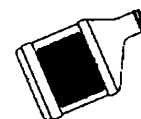
Owners' Manual



Nozzle Cleaning Kit



Handle Mounting Hardware



Engine Oil



Rubber Isolator and Mounting Hardware



Replacement O-Rings

## Tools Required for Assembly

Adjustable wrench

Allen wrench 5mm (included)

## Remove Pressure Washer from Carton

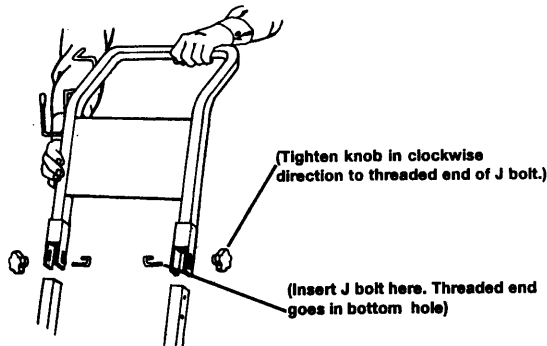
- Open box from the top. Locate and remove from box, the parts box, which includes gun, handle, wand, oil, knobs and J bolts. Next remove the parts bag and the handle.
- Cut carton along dotted lines.
- Remove all carton inserts.
- Roll unit through opening in Carton.

**NOTE:** The hose is located at the bottom of the box.

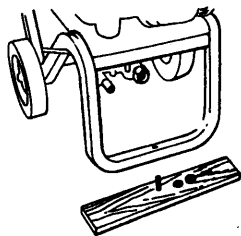
## Preparing the Pressure Washer for First Use

**Note:** Included with your pressure washer is a video cassette tape on how to prepare your unit for operation. It is recommended you view this tape before performing the next steps.

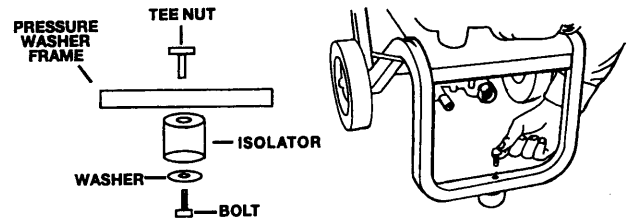
1. • Insert handle onto frame.
  - Slide J bolts into frame.
  - Tighten knobs turning in clockwise direction.



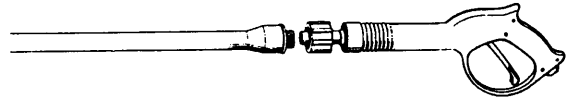
2. • Using an adjustable wrench, remove nut from bolt that attaches board to frame. Remove wood plank from the frame of the unit. Discard bolt and board.



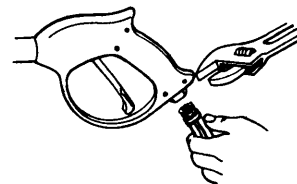
3. • Mount the rubber isolator to the frame. To mount isolator place threaded end of bolt through the washer. Next with washer on bolt place threaded end of bolt through the larger hole in bottom of the rubber isolator. Place threaded portion of bolt through the same hole location the wood plank was mounted to on the pressure washer. Next place the tee nut over the threaded portion of the bolt and use the allen wrench provided to tighten isolator to the frame.



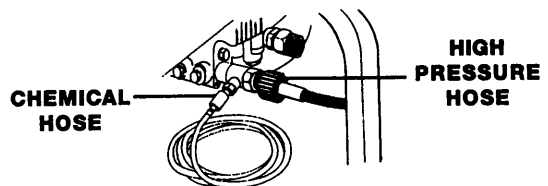
4. • Connect wand extension to gun. To tighten, turn knob in clockwise direction. Hand tighten.



5. • Remove tie wrap off of high pressure hose. Unwind high pressure hose and attach the threaded end to the gun.

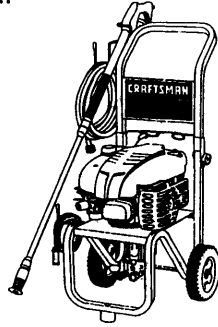


6. • Connect high pressure hose to outlet on pressure washer and hand tighten firmly. Connect chemical pickup hose to hose barb on pump.



**NOTE:** Always keep hose away from engine muffler.

7. • Place assembled gun and wand on pressure washer holder.



8. • Place pull cord into the wire bracket holder.
  - Pull the cord under the wire bracket to the right of the wire loop.

- Lift the pull cord handle up and slide the cord to the left sliding the cord into the wire loop.
- Next slide handle behind the wire bracket to the left of the wire loop.
- Engine recoil will pull the cord into its final position.

### Checklist

Before going any further please review the following:

- Be sure you have completed assembly instructions.
- Double check all fittings to be sure they are tight.

**IMPORTANT:** Before any attempt to start your pressure washer be sure to check engine oil (See Operation under Engine Oil, page 8.)

## OPERATION

### Know Your High Pressure Washer

**Read this Owner's Manual and Safety Rules before operation of your High Pressure Washer**  
Compare this illustration with our pressure washer to familiarize yourself with the location of various controls and adjustments. Save this manual for future reference.

**PUMP**- Develops high pressure.

**PRESSURE REGULATOR**- Allows you to adjust the pressure of the outlet stream.

**ENGINE RUN/STOP LEVER**- Sets engine in starting mode for recoil starter — **Stops** running engine.

**RECOIL STARTER**- Used for starting the engine manually.

**SPRAY GUN ASSEMBLY**- Controls the application of water onto cleaning surface with trigger device.

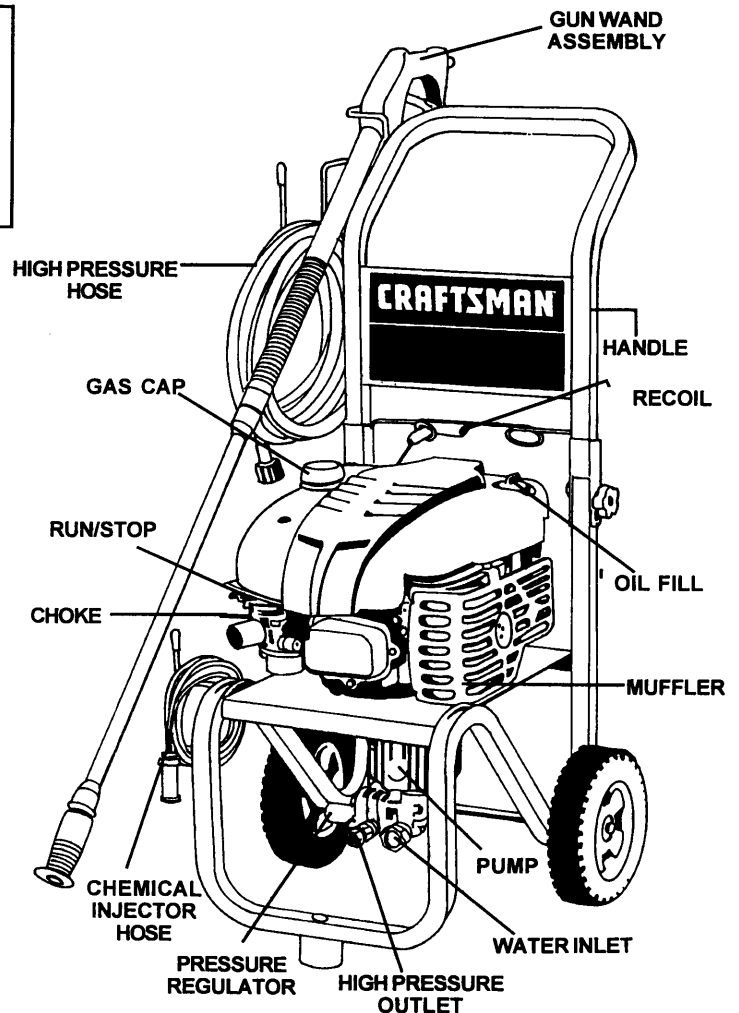
**OIL FILL**- Port where engine oil is poured.

**GAS TANK/CAP**- Cap is removed and unleaded gasoline is poured.

**CHEMICAL INJECTION TUBE AND FILTER**- Mixes water and detergent in outlet water flow.

**HIGH PRESSURE OUTLET**- Connection for high pressure hose.

**CHOKE**- Lever used for starting unit.



**▲ Warning:** Read Owner's Manual. Do not attempt to operate equipment until you have read Owners Manual for Safety, Operation, and Maintenance Instructions.

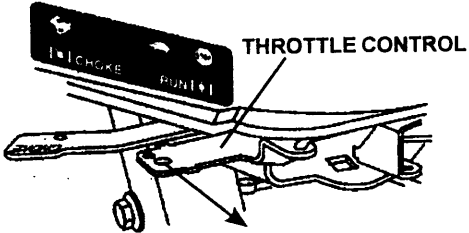
**Note:** Included with your unit is a video cassette that demonstrates how to operate your pressure washer. If you have a video cassette recorder you should view the video before operation.

**▲ Warning:** Never adjust spray pattern when spraying. Never put hands in front of spray nozzle to adjust spray pattern because you could be injured.

**Stopping Your Pressure Washer**

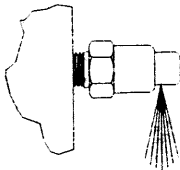
**▲ CAUTION:** Do not run pump without the water supply connected and turned on. Failure to do so will result in pump damage.

- Move throttle control to the stop position to turn pressure washer off.



- Simply shutting OFF engine will not release pressure in the system. After engine has stopped, squeeze the trigger on the spray gun for about 3 seconds to relieve pressure. Spray stream will decrease in length.

**IMPORTANT:** This unit is equipped with a thermal relief valve. If unit is allowed to run for several minutes without pressing the trigger on the spray gun, several drops of water may be released through this valve to cool the unit. The heated water will be purged from the bottom of the pump.



**BEFORE STARTING THE ENGINE**

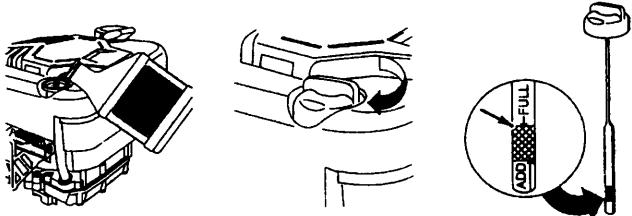
To operate the engine you will need to do the following.

**NOTE:** Your pressure washer pump is a sealed pump you should never have to add or change the oil

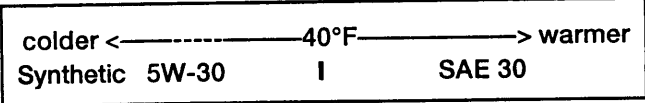
**▲ CAUTION:** Always check engine oil level before every start. Running engine low of oil or out of oil could result in serious damage.

**Engine Oil**

Your unit has been shipped **without** oil in the engine. A bottle of SAE 30 weight oil is included in the carton. Remove oil dip stick located on top of the engine. Oil capacity is about 20 ounces of oil. The oil dip stick is clearly marked with a line that tells you when unit has enough oil. To check oil, place dipstick into oil fill. Tighten dipstick then remove. Do not fill above this point. Pour slowly.



**NOTE:** When adding oil to the engine crankcase, use a high quality detergent oil classified for Service SF, SG, SH, rated SAE 30 weight. Use no special additives. Select the oil's viscosity grade according to your expected operating temperatures.



Although multi-viscosity oils (5W30, 10W30, etc.) improve starting in cold weather, these multi-viscosity oils will result in increased oil consumption when used above 40°F Check your engine oil level more frequently to avoid possible damage from running low on oil . Oil sump capacity is about 20 ounces.

**Gasoline**

Your pressure washer engine is 4 cycle. Use fresh unleaded fuel only.

**▲ CAUTION:** Do not overfill the fuel tank. Always allow room for fuel expansion.

**▲ WARNING:** Never fill fuel tank indoors. Never fill fuel tank when engine is running or hot. Do not smoke or have open flame when filling fuel tank.



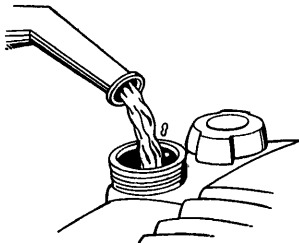
Use clean, fresh, regular unleaded gasoline with a minimum of 85 octane. Do not mix oil with gasoline. If unleaded fuel is unavailable leaded fuel may be used.

**IMPORTANT:** It is important to prevent gum deposits from forming in essential fuel system parts such as the carburetor, fuel filter hose or tank during storage. Also, experience indicates that alcohol-blended fuels (called gasohol or using ethanol or methanol) can attract moisture which leads to separation and formation of acids during storage. Acidic gas can damage the fuel system of an engine while in storage. To avoid engine problems, the fuel system should be emptied before storage of 30 days or longer. Never use engine or carburetor cleaner products in the fuel tank or permanent damage may occur.

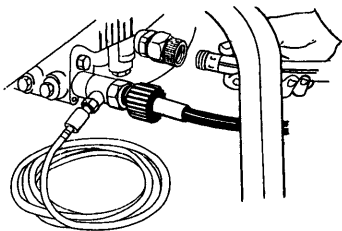
**NOTE:** Never start pressure washer without water source turned on and connected to pressure washer.

### To Start Your Pressure Washer

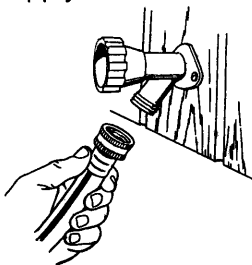
- Remove gas cap
- Add unleaded gasoline, slowly, to fuel tank.
- Do not overfill.



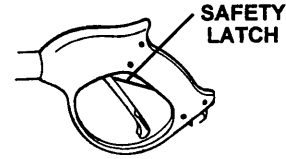
- Connect garden hose to the water inlet on the pressure washer. Tighten by turning water inlet counter clockwise.



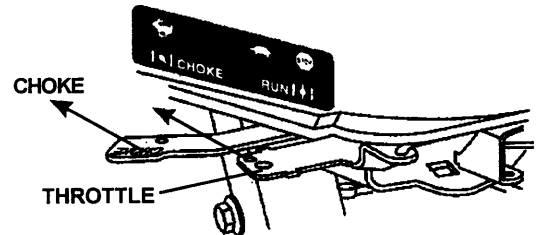
- Connect high pressure hose to discharge on pump.
- Connect the garden hose to the water spout and turn water supply on.



- Squeeze trigger on pressure washer wand to relieve air pressure caused by turning on the water. Water will spew out of the gun in a thin stream. This will make it easier to start the engine.
- Engage the safety latch on the spray gun. This locks the trigger in place and keeps you from accidentally spraying a high pressure stream.



- On the engine there is a choke/run lever. Place lever to the choke position.
- On the engine there is a throttle control lever. Place throttle to the rabbit position. Always start engine with throttle in the rabbit (high speed) position.



- Grasp the starter grip and pull slowly until resistance is felt; then pull firmly to start engine.

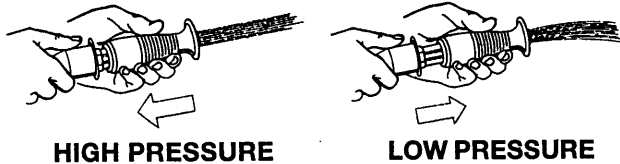
**NOTE:** If engine does not start right away, squeeze the trigger on the gun to relieve water pressure caused by turning on the water. Water will spew out of the gun in a thin stream. This will make it easier to pull start the engine. If more than five pulls are required, place choke lever back to run position.

- When engine starts, gradually move choke lever to RUN position.
- For hot engine restarts, make sure throttle is in the rabbit (High speed) position and the choke lever is in the RUN position.
- Grasp the starter grip and pull slowly until resistance is felt; then pull firmly to start engine.

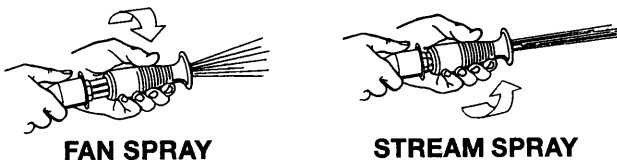
## How To Use Your Pressure Washer

On the end of your spray gun is a nozzle that you can slide forward and backward and that you can also twist from side to side. With the adjustable nozzle you can adjust the spray pattern to either high pressure or low pressure. You can also adjust the spray so it is concentrated in a stream pattern or expanded into a fan pattern.

- Slide the nozzle forward for low pressure. Pull nozzle back for high pressure.



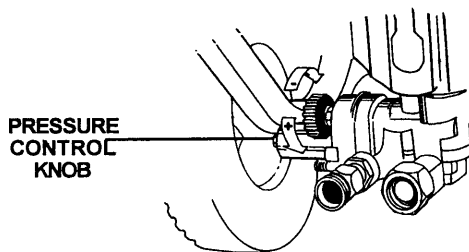
- To adjust your spray pattern twist the nozzle clockwise for fan spray or counterclockwise for stream spray.



- For most effective cleaning, keep spray nozzle between 8 and 24 inches from cleaning surface.

**IMPORTANT:** If you get spray nozzle too close, especially on high pressure, you may damage the surface you are cleaning.

- The pressure control knob is located on the pump. You can increase the pressure by turning the knob clockwise or decrease the pressure by turning the knob counterclockwise.

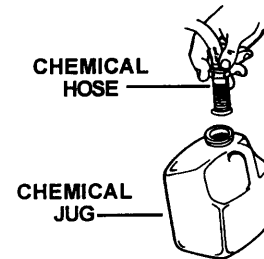


**NOTE:** The maximum pressure for the unit is set at it's maximum setting at the factory. Do not attempt to adjust the pressure higher than this factory setting.

## Using Soaps/Chemicals

**IMPORTANT:** Use soaps and chemicals that are designed specifically for use with pressure washers. To apply soaps/chemicals follow these steps:

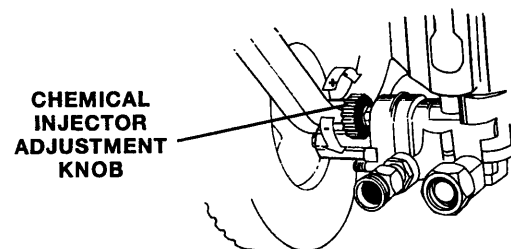
- Prepare the soap/chemical as required by your job.
- Insert soap/chemical line into your container (soap/chemicals not included).



**NOTE:** The first step involves applying an appropriate soap/chemical solution to penetrate and loosen grime. **Apply the solution at low pressure** to avoid splashing, over spray and waste. Leave the solution on surface for 3 to 5 minutes to allow solution to work.

**NOTE:** The second step involves cleaning the surface you have prepared with the pressure washer and then rinsing it clean.

- Slide the adjustable nozzle forward to low pressure mode. Soap/chemicals cannot be applied with nozzle in high pressure position.
- Review the use of the adjustable nozzle.
- Connect garden hose to water inlet (see "To Start Your Pressure Washer"). Check that high pressure hose is connected to spray gun and pump (see *Assembly*), and start engine.
- Apply soap/chemicals to dry surface, starting from the bottom and working up.
- Allow the soap/chemicals to soak in between 3-5 minutes before washing and rinsing.
- For cleaning, start at lower portion of area to be washed and work upward, using long, even overlapping strokes.
- Your pressure washer is equipped with a chemical injector adjustment knob. With the knob fully opened you will get a maximum chemical draw. With knob fully closed you will get **no** chemical draw. Turn knob in counter clockwise direction to achieve more chemical draw and clockwise for less chemical draw.



- After using the pressure washer, you should flush the pump, chemical injector and chemical line with

clear water. To do so, simply place chemical injector hose in water and siphon for 1 to 2 minutes.

# MAINTENANCE

<b>CUSTOMER RESPONSIBILITIES TABLE</b>				
MAINTENANCE TASK	Before each use	Every 25 hours or yearly	Every 50 hours or yearly	Every 100 hours or yearly
<b>PRESSURE WASHER</b>				
Check/clean inlet screen.	x			
Check high pressure hose.	x			
Check soap and chemical hose and filter	x			
Check gun and wand for leaks.	x			
Purge pump of air and contaminants	x			
<b>ENGINE</b>				
Check oil level	x			
Change engine oil			x	
Service air cleaner		x		
Clean/replace spark plug				x

## Product Specifications

### Pressure Washer Specifications

Pressure	2350
Flow Rate	2.2 GPM
Cleaning Units (psi x GPM)	5170

### Engine Specifications

RPM	3600
Rated Horsepower	6.0
Spark Plug Gap	“.030” (0.76mm)
Gasoline Capacity	1.5 quarts
Oil (22 oz. capacity)	SAE 30 weight

## General Recommendations

The warranty of the high pressure washer does not cover items that have been subjected to operator abuse or negligence. To receive full value from the warranty, operator must maintain high pressure washer as instructed in this manual.

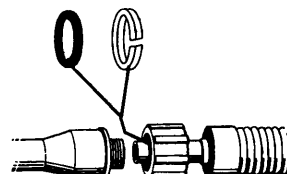
Some adjustments will need to be made periodically to maintain your high pressure washer.

All adjustments in the Maintenance section of this manual should be made at least once each season.

Once a year you should clean or replace the spark plug, and clean or replace the air filter, and check the gun and wand assembly for wear. A clean spark plug and clean air filter assure proper fuel-air mixture and help your engine run better and last longer.

Your pressure washer pump is a sealed pump, you should never have to add or change the oil.

**NOTE:** Over time the o-rings in the gun assembly become worn. Attached to your owners manual is a replacement o-ring and split backup o-ring.



## Pressure Washer Maintenance

**Check and Clean Inlet Screen:** Examine inlet screen on pump inlet fitting. Clean if clogged; replace if torn.

**Check High Pressure Hose:** High pressure hose can develop leaks from wear, kinking, abuse. Inspect hose each time before use. Check for cuts, leaks, abrasions or bulging of cover, and damage or movement of couplings. If any of these conditions exist, replace hose immediately.

**Check Chemical/Soap Hose and Air Filter:** Examine the chemical/soap hose and clean if clogged. Hose should fit tightly on pump fitting. Check for leaks and tears. Replace filter or hose if either is damaged.

**Check Gun and Wand for Leaks:** Examine hose connection to gun making sure it is secure. Test trigger by pressing it and making sure it springs back into place when you release it.

## Purge Pump of Air and Contaminants

To remove the air from the pump, follow these steps:

- Set up the pressure washer as described in Assembly section and connect the water supply.
- Remove the wand extension from the spray gun.
- Pull the trigger on the gun and hold.

To remove the contaminants from the pump, follow these steps:

- Set up the pressure washer as described in ASSEMBLY section, connect the water supply.
- Remove the wand extension from the spray gun.
- Start the engine according to instructions in the OPERATION section.
- Pull the trigger on the gun and hold.
- When the water supply is steady and constant, disengage trigger and refasten the wand extension.

## Engine Maintenance

### Check Oil Level

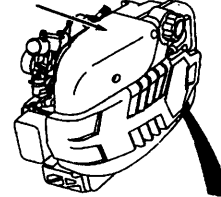
- Oil level should be checked prior to each use or at least every 5 hours of operation. To check oil see **Engine Oil** on page 9.

## Change Engine Oil

- Change oil while engine is still warm. Preferably drain oil from top of engine as illustrated below. Drain oil with air cleaner side up. Oil can be drained from engine bottom if necessary.

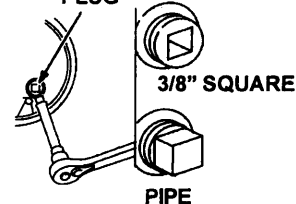
**IMPORTANT:** Before tipping engine or equipment to drain oil, drain fuel from tank by running engine until fuel tank is empty.

AIR CLEANER

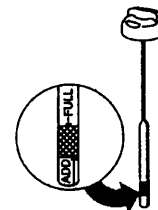


- To drain oil from bottom of engine, remove drain plug as illustrated below. Allow oil to drain and replace drain plug. Remove dipstick and refill with new oil of recommended grade. Start and run engine at idle for 30 seconds.

OIL DRAIN PLUG



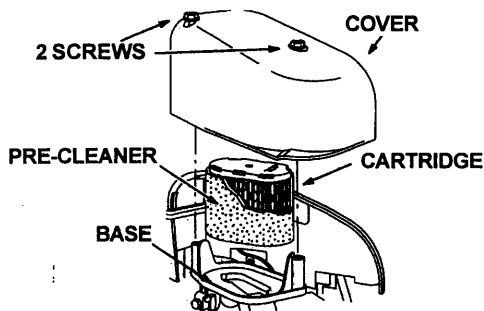
- Stop engine. Wait 30 seconds and re-check oil level. If required, add oil to bring level to FULL mark on dipstick.



## Service Air Cleaner

Your engine is equipped with an oval dual element.

- To service element: loosen screws and lift cover. Then carefully remove pre-cleaner and cartridge assembly.
- After servicing pre-cleaner and cartridge, place pre-cleaner on cartridge.
- Install air cleaner assembly in base. Then install cover on air cleaner and tighten screws securely to base.



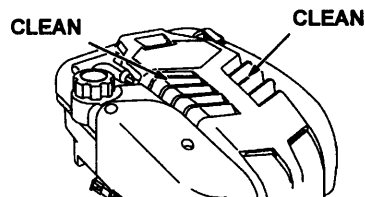
### Pre-Cleaner

To service pre-cleaner, wash in liquid detergent and water. Allow to dry thoroughly before using. Do not oil pre-cleaner. Replace if very dirty or damaged.

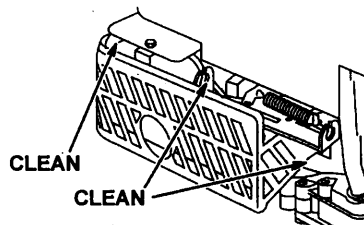
**NOTE:** Do not use petroleum solvents, e.g., kerosene, which will cause the cartridge to deteriorate. Do not use pressurized air to clean cartridge. Pressurized air can damage the cartridge.

**Keep engine and parts clean!**

- Do not clean engine with a forceful spray of water because water could contaminate fuel system. With a brush or cloth, clean finger guard after every use to prevent engine damage caused by overheating.

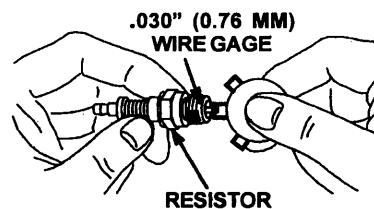


- Before running engine, clean muffler area.



## Clean and Replace Spark Plug

Change the spark plug every 100 hours of operation or once each year, whichever comes first. This will help your engine to start easier and run better.



# SERVICE AND ADJUSTMENTS

## Carburetor

The carburetor of your high pressure washer is pre-set at the factory. The carburetor should not be tampered with. If your pressure washer is used at an altitude in excess of 5000 feet consult with your nearest Sears Service Center regarding high altitude set changes.

**▲ CAUTION:** Engine speed was properly adjusted at the factory and should require no additional adjustment. Do not attempt to change engine speed. If you believe the engine is running too fast or too slow, take your pressure washer to a Sears Authorized Service Center for repair and adjustment.

**▲ WARNING:** High engine speeds are dangerous and increase the risk of personal injury or damage to equipment.

**▲ CAUTION:** Low engine speeds impose a heavy load on the engine and when sufficient engine power is not available could shorten engine life.

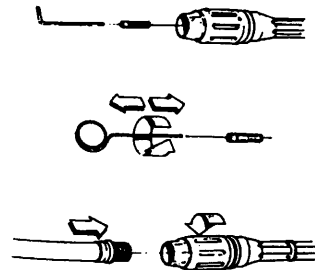
## Nozzle cleaning:

If the nozzle becomes clogged with foreign materials, such as dirt, excessive pressure may develop. If the nozzle becomes partially clogged or restricted, the pump pressure will pulsate. Clean the nozzle immediately using the nozzle kit supplied and the following instructions:

### Multi-Reg Wand/Lance:

1. Shut off the pressure washer and turn off the water supply.
2. Disconnect spark plug wire.

3. Pull trigger on gun handle to relieve any water pressure.
4. Disconnect the wand/lance from the gun.
5. Remove the nozzle from the end of the wand with the 2mm allen wrench provided.
6. Clean the nozzle using the nozzle cleaner provided or a straightened paper clip. Insert into the nozzle end and work back and forth until obstruction is removed.
7. Direct water supply into nozzle end to backflush loosened particles for 30 seconds.
8. Reassemble the nozzle to the wand. Tighten securely to prevent leaks.
9. Reconnect wand/lance to gun and turn on water supply.
10. Start pressure washer and place wand/lance into high pressure setting to test.



## STORAGE

This pressure washer should be stored in such a way to protect it from freezing. Do not store this unit outdoors or in an area where temperatures will fall below 32° F. This can cause extensive damage to this unit.

If unit has to be stored under freezing conditions a non-toxic R.V. anti-freeze can be used to protect from freezing.

### Preparing Pressure Washer for Storage

**NOTE:** If you do not plan to use your unit for 30 days or more, unit should be prepared for storage.

#### Engine Preparation

- First add a fuel stabilizer to the fuel tank.
  - Run pressure washer for a full 5 minutes to allow fuel stabilizer to enter the fuel system.
- NOTE:** While doing this procedure make sure water supply is turned on and flowing to the unit. **NEVER** run unit without water supply running through pump.
- Next shut off engine and disconnect the water supply.
  - Disconnect the spark plug wire and remove the spark plug.
  - Add one teaspoon of oil through the spark plug hole.
  - Place rag over spark plug hole and pull the recoil a few times to lubricate the combustion chamber.
  - Replace the spark plug, but do not connect the spark plug wire.

**IMPORTANT:** It is important to prevent gum deposits from forming in essential fuel system parts such as the carburetor, fuel filter hose or tank during storage. Also, experience indicates that alcohol-blended fuels (called gasohol or using ethanol or methanol) can attract moisture which leads to separation and formation of acids during storage. Acidic gas can damage the fuel system of an engine while in storage. To avoid engine problems, the fuel system should be emptied before storage of 30 days or longer. Never use engine or carburetor cleaner products in the fuel tank or permanent damage may occur.

#### Pump Preparation

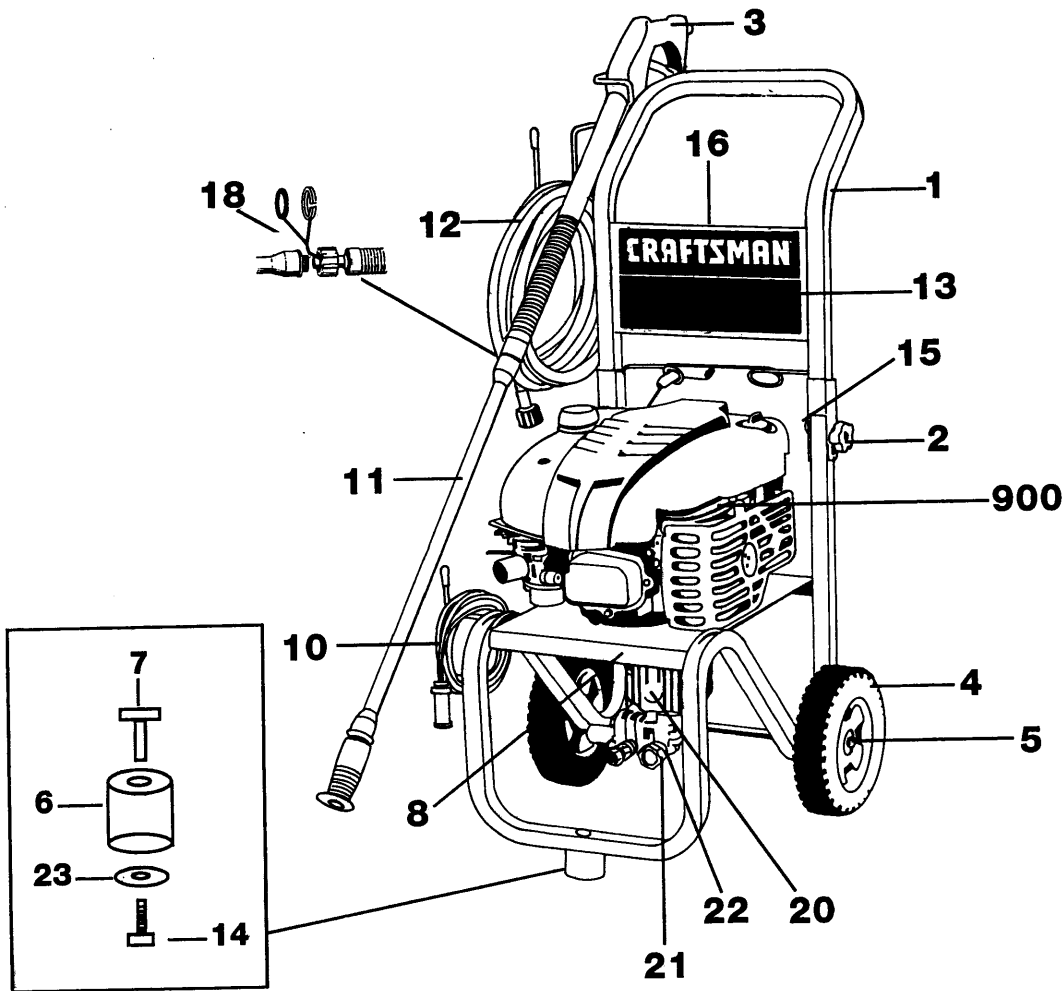
- Be sure engine switch is in "OFF" position and spark plug wire has been removed from spark plug.
- Pull the trigger on the spray gun to release the pressure in the high pressure hose. Detach high pressure hose and garden hose from the unit.
- Pull the recoil on the engine 4 to 6 times to discharge remaining water in pump.
- Tip the unit on the end with the water inlet fitting pointing upward.
- If unit will be stored where temperatures fall below 32°F, pour approximately 1/4 cup of non-toxic R.V. anti-freeze down the fitting where the water hose attaches to the pump.
- Set unit upright and pull starter handle on engine 4 to 6 times to circulate anti-freeze in pump until anti-freeze is discharged from the pump.

# TROUBLESHOOTING

SYMPTOM	CAUSE	SOLUTION
Engine won't start	<ol style="list-style-type: none"> <li>1. Engine throttle is in "OFF" Position.</li> <li>2. Choke lever has not been placed to choke.</li> <li>3. Pressure buildup after initial use.</li> </ol>	<ol style="list-style-type: none"> <li>1. Slide throttle to "Rabbit" position.</li> <li>2. Slide choke lever to choke position.</li> <li>3. Depress trigger gun.</li> </ol>
Won't Draw Chemical	<ol style="list-style-type: none"> <li>1. Nozzle not in chemical draw position.</li> <li>2. Chemical screen is obstructed.</li> <li>3. Chemical screen not working.</li> <li>4. Chemical injector orifice obstructed or stuck.</li> <li>5. Chemical injector closed.</li> </ol>	<ol style="list-style-type: none"> <li>1. Place nozzle to low pressure.</li> <li>2. Check chemical screen; clean if obstructed.</li> <li>3. Make sure chemical screen is submerged in chemical/water.</li> <li>4. Check and clean.</li> <li>5. Open chemical injector by turning adjustment knob.</li> </ol>
Pump running normally but pressure does not achieve rated values	<ol style="list-style-type: none"> <li>1. Water supply restricted.</li> <li>2. Nozzle is in low PSI position.</li> <li>3. Nozzle incorrect or worn.</li> <li>4. Pump sucking air.</li> <li>5. Nozzle blocked.</li> </ol>	<ol style="list-style-type: none"> <li>1. Check water supply and filter screen for blockage. Check hoses for blockage, kinks, leaks, etc.</li> <li>2. Pull nozzle at end of wand back to the high pressure position.</li> <li>3. Check and replace.</li> <li>4. Check that hoses and fittings are air-tight.</li> <li>5. Clean nozzle.</li> </ol>
Fluctuating Pressure	<ol style="list-style-type: none"> <li>1. Pump sucking air.</li> <li>2. Garden hose inlet strainer clogged.</li> <li>3. Worn Seals or Packing.</li> <li>4. Inadequate water supply.</li> <li>5. Fouled or dirty inlet or discharge valves.</li> <li>6. Leaky discharge hose.</li> </ol>	<ol style="list-style-type: none"> <li>1. Check that hoses and fittings are air tight. Purge air from garden hose.</li> <li>2. Clean. Check filter frequently.</li> <li>3. Check and replace.</li> <li>4. Check hose for kinks.</li> <li>5. Check flow available to pump. Check for excessive heat, 145° F or above.</li> <li>6. Clean inlet and discharge valve assemblies. Replace if damaged.</li> </ol>
Pressure drops after period of normal use	<ol style="list-style-type: none"> <li>1. Nozzle clogged, partially obstructed.</li> <li>2. Nozzle worn.</li> <li>3. Pump Valves worn, dirty or stuck.</li> <li>4. Worn pump piston packing.</li> </ol>	<ol style="list-style-type: none"> <li>1. Use nozzle cleaning kit to clear obstruction. (See Nozzle Maintenance under Service Adjustment.)</li> <li>2. Clean or replace.</li> <li>3. Check and replace.</li> <li>4. Check and replace.</li> </ol>
Pump noisy	<ol style="list-style-type: none"> <li>1. Water too hot.</li> <li>2. Pump sucking air.</li> <li>3. Valves dirty or worn.</li> <li>4. Worn bearings.</li> </ol>	<ol style="list-style-type: none"> <li>1. Reduce temperature below 63° C or 145° F.</li> <li>2. Check that hoses and fittings are air tight.</li> <li>3. Check, clean or replace.</li> <li>4. Check and replace if necessary.</li> </ol>
Presence of water in oil (oil milky).	<ol style="list-style-type: none"> <li>1. High humidity.</li> <li>2. Piston packing and oil seal worn.</li> </ol>	<ol style="list-style-type: none"> <li>1. Change Oil.</li> <li>2. Check and replace oil seals.</li> </ol>
Water dripping from pump	<ol style="list-style-type: none"> <li>1. Thermal relief functioning normal.</li> <li>2. Fittings Loose.</li> <li>3. O-rings of piston guide or retainer worn.</li> <li>4. Piston packing worn.</li> </ol>	<ol style="list-style-type: none"> <li>1. Protecting pump, if not using pressure washer for a long period of time, shutoff engine.</li> <li>2. Tighten.</li> <li>3. Check and replace.</li> <li>4. Check and replace.</li> </ol>
Oil Dripping	<ol style="list-style-type: none"> <li>1. Oil seal worn</li> <li>2. Loose drain plug or worn drain plug o-ring.</li> </ol>	<ol style="list-style-type: none"> <li>1. Check and replace</li> <li>2. Tighten drain plug or replace O-ring. Do not over torque.</li> </ol>

# PARTS

CRAFTSMAN 2350 PSI HIGH PRESSURE WASHER 919.762350



REF NO.	PART NO.	DESCRIPTION	REF NO.	PART NO.	DESCRIPTION
1	16469	Handle	21	16829	Garden Hose Adapter 1/2"
2	16471	Knob - 5/16"	22	F504W	3/8" Coupling
3	16468	Gun	23	F112	Washer
4	16466	Tire Semi (7 x 1 3/4)			
5	W137	Nut Pal 1/2"			
6	16371	Foot Rubber, Hollow			
7	W131	Tee Nut 5/160" x 3/4"			
8	16462	Frame			
10	H140	Hose, Chemical			
11	16491	Lance, Multi-Reg			
12	16467	Hose			
13	16479	Decal - Craftsman			
14	F064	Screw-Hex 5/16" - 18 x 1LG			
15	16470	J Bolt 5/16" - 18 x 2.5			
16	16726	Decal - Operation			
18	16830	O-Ring Kit			
900	-----	Engine-Refer to engine break-down (Model 121602-0206-E1)			
20	PK16482	Pump			

### PARTS NOT ILLUSTRATED

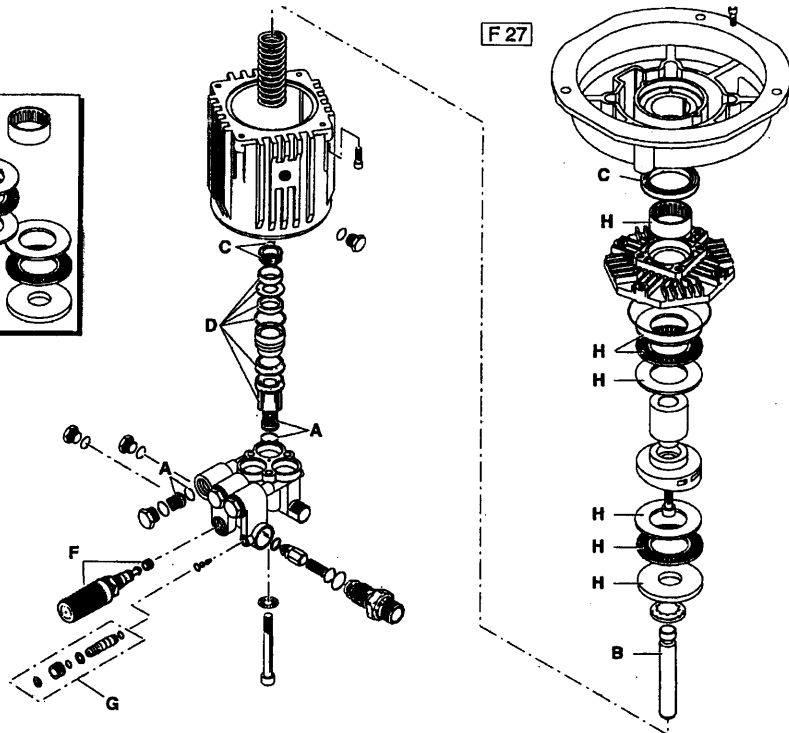
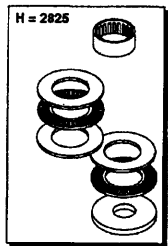
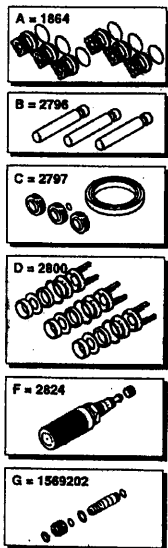
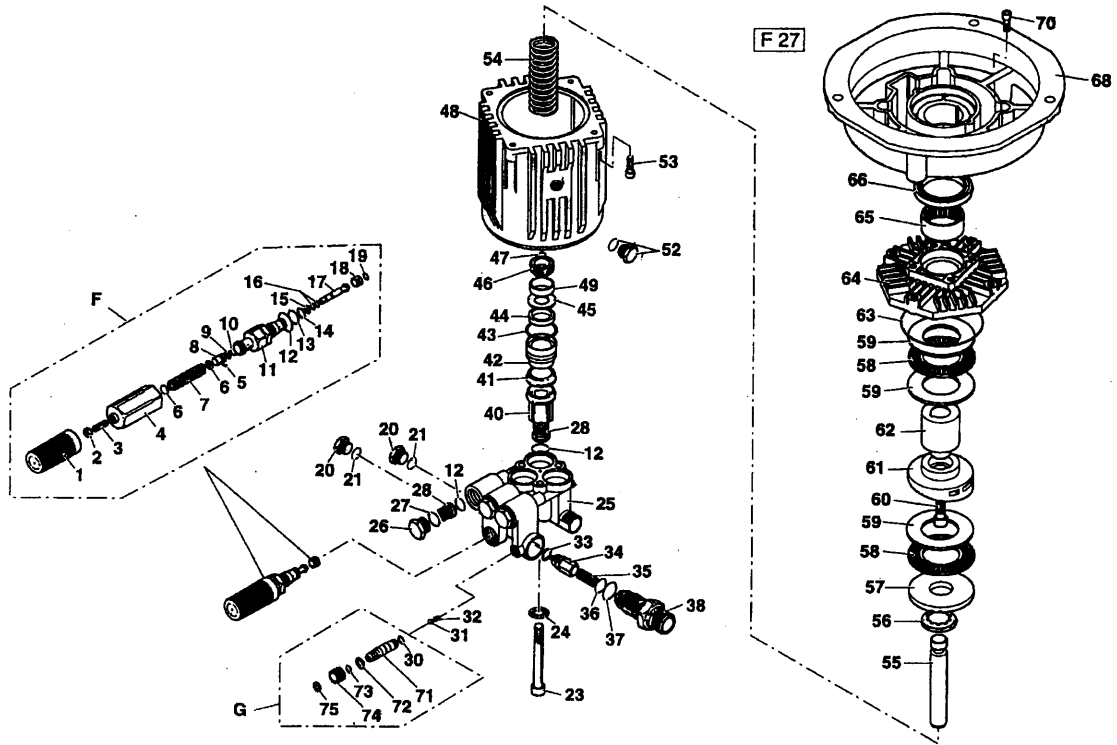
- MGP-762350A Owner's Manual
- NCT001 Nozzle Cleaning Kit
- F101 Screw, Hex-Engine to Pump
- F196 Screw, Hex-Engine to Pump
- 16087 Nut Flanghead-Engine to Pump
- F074 Washer Flat-Engine to Pump
- 16505 Thermal Relief Valve



# PUMP PARTS

CRAFTSMAN 2350 PSI HIGH PRESSURE WASHER 919.762350

PUMP BREAKDOWN MODEL PK16482



# PUMP PARTS

CRAFTSMAN 2350 PSI HIGH PRESSURE WASHER 919.762350

PUMP BREAKDOWN MODEL PK16482

REF. NO.	PART NO.	DESCRIPTION	QTY.	REF. NO.	PART NO.	DESCRIPTION	QTY.
1	AR-1322520	Knob	1	37	AR-1200690	O-Ring	1
2	AR-1980300	Nut	1	38	AR-1270130	Detergent injector	1
3	AR-1980470	Grub screw	1	40	AR-1980190	Support ring	3
4	AR-1980640	Handle insert	1	41	AR-1342761	Gasket	3
5	AR-1080070	Pin	1	42	AR-1980180	Piston guide	3
6	AR-1980220	Plate spring	1	43	AR-770130	O-Ring	3
7	AR-1271070	Spring	1	44	AR-1260440	Gasket	3
8	AR-1080041	Upper piston	1	45	AR-1980170	Ring	3
9	AR-1080401	Ring	1	46	AR-1980410	Seal	3
10	AR-1080250	O-Ring	1	47	AR-770090	O-Ring	1
11	AR-1980210	Piston guide	1	48	AR-1980460	Housing	1
12	AR-880830	O-Ring	7	49	AR-1980430	Spacer	3
13	AR-740290	O-Ring	1	52	AR-1980290	Plug	1
14	AR-800560	O-Ring	1	53	AR-180030	Screw	4
15	AR-1271170	Ring	1	54	AR-1980160	Spring	3
16	AR-1080190	O-Ring	2	55	AR-1980140	Piston	3
17	AR-1271160	Lower piston	1	56	AR-1980150	Ring	3
18	AR-1980200	Valve seat	1	57	AR-1980130	Rail	1
19	AR-1470210	O-Ring	1	58	AR-1980250	Cage	2
20	AR-880581	Plug	2	59	AR-1980240	Rail	3
21	AR-820510	O-Ring	2	60	AR-850370	Screw	1
23	AR-1980310	Screw	3	61	AR-1980070	Wobble plate	1
24	AR-650530	Washer	3	62	AR-1980440	Hollow shaft	1
25	AR-1980650	Pump head	1	63	AR-1980340	O-Ring	1
26	AR-1260162	Plug	3	64	AR-1980450	Flange	1
27	AR-960160	O-Ring	3	65	AR-1980230	Roller bearing	1
28	AR-1269050	Complete valve	6	66	AR-480671	Seal	1
30	AR-480480	O-Ring	1	68	AR-1980510	El. motor flange	1
31	AR-1250280	Ball	1	70	AR-1200430	Screw	4
32	AR-1560520	Spring	1	71	AR-1560650	Hose tail	1
33	AR-1460430	O-Ring	1	72	AR-800560	O-Ring	1
34	AR-1540170	Jet	1	73	AR-480560	O-Ring	1
35	AR-1080091	Spring	1	74	AR-1560670	Knob	1
36	AR-394280	O-Ring	1	75	AR-1560660	Ring	1

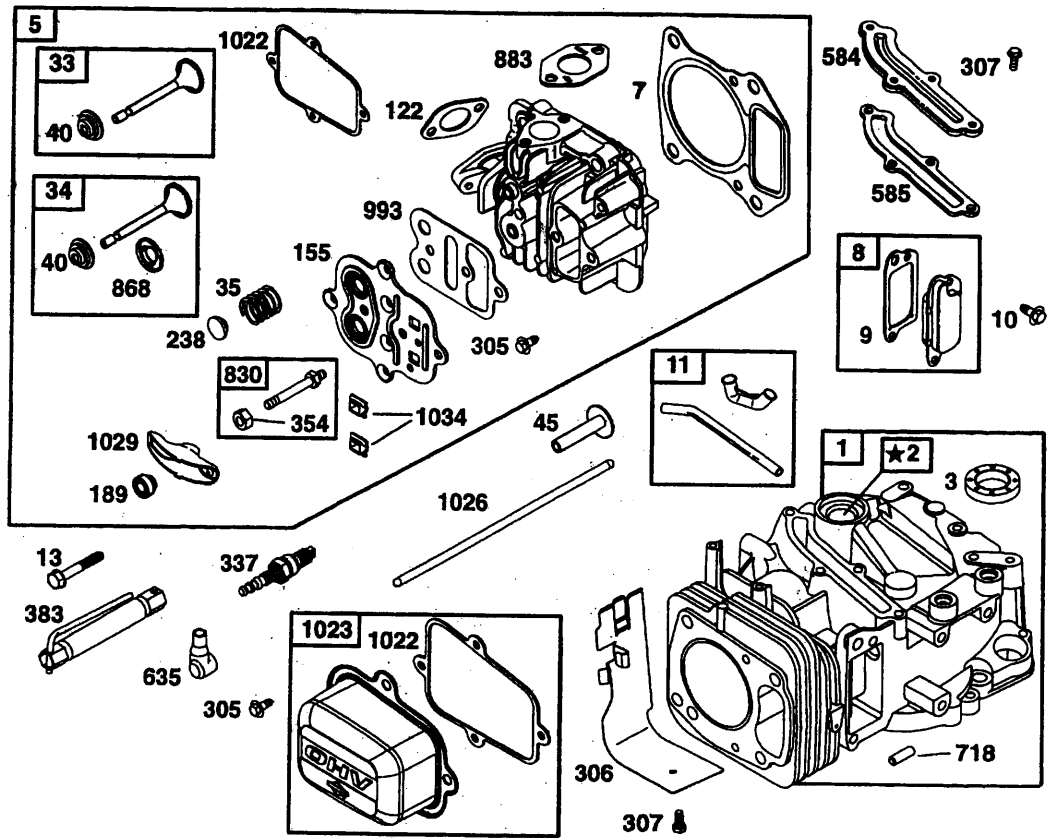
## PART KITS

A=KIT 16739 Valves		B=KIT 16740 Pistons		C=KIT 16742 Oil Seals		D=KIT 16738 Water Seals			
Pos.	Qty.	Pos.	Qty.	Pos.	Qty.	Pos.	Qty.		
12	6	55	3	46	3	40	3		
28	6			47	1	41	3		
				66	1	43	3		
						44	3		
						45	3		
						49	3		
F=KIT 16737 Unloader Valve			G=KIT 16741 Chemical Injector			H=KIT 16743 Bearing			
Pos.	Qty.	Pos.	Qty.	Pos.	Qty.	Pos.	Qty.	Qty.	
1	1	8	1	15	1	30	1	57	1
2	1	9	1	16	2	71	1	58	2
3	1	10	1	17	1	72	1	59	3
4	1	11	1	18	1	73	1	65	1
5	1	12	1	19	1	74	1		
6	2	13	1			75	1		
7	1	14	1						

# ENGINE PARTS

CRAFTSMAN 2350 PSI HIGH PRESSURE WASHER 919.762350

BRIGGS ENGINE MODEL #121602-0206-E1

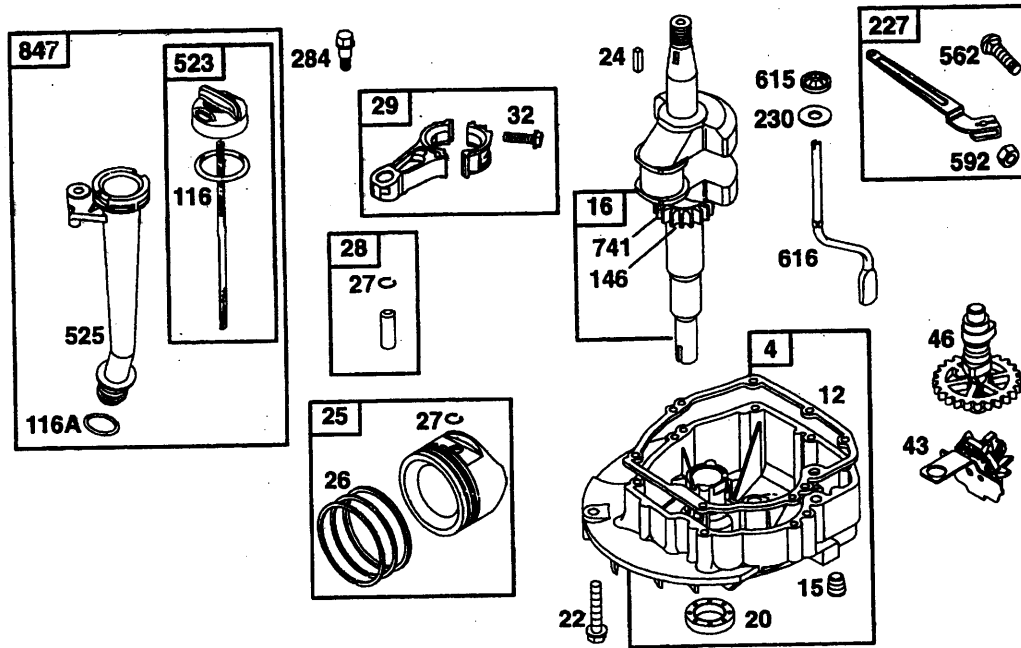


REF. PART NO.	NO.	DESCRIPTION	REF. PART NO.	NO.	DESCRIPTION	REF. PART NO.	NO.	DESCRIPTION
1	499678	Cylinder Assembly	122	281617	Spacer-Carburetor	635	66538	Boot-Spark Plug
3	399269	Bushing	155	225325	Plate-Cylinder Head	718	230192	Dowel-Sleeve
5	299819	Seal-Oil	189	263108	Ball-Rocker Arm	830	499756	Stud-Rocker Arm
6	499643	Head-Cylinder	238	263131	Cap-Valve	868	498592	Seal-Valve
7	273240	Gasket-Cylinder Head	305	94744	Screw-Hex	883	273348	Gasket-Exhaust
8	495786	Breather Assembly	306	225366	Shield-Cylinder	993	273346	Gasket-Plate
9	272481	Gasket-Breather	307	94515	Screw-Hex	1019	499691	Label Kit
10	94955	Screw-Hex	337	499608	Plug-Spark	1022	273241	Gasket-Rocker Cover
11	499675	Tube-Breather	354		Nut-Hex (Sold in Kit Only)	1023	499624	Cover-Rocker
13	95049	Screw-Hex	383	19374	Wrench-Spark Plug	1026	498597	Rod-Push
33	499642	Valve-Exhaust	584	224328	Cover-Breather Passage	1029	225246	Arm-Rocker
34	499641	Valve-Intake	585	272238	Gasket-Breather Passage	1034	281621	Guide-Push Rod
35	263149	Spring-Valve				1058	273323	Owner's Manual
40	93312	Retainer-Valve						
45	262679	Tappet-Valve						

# ENGINE PARTS

CRAFTSMAN 2350 PSI HIGH PRESSURE WASHER 919.762350

BRIGGS ENGINE MODEL #121602-0206-E1

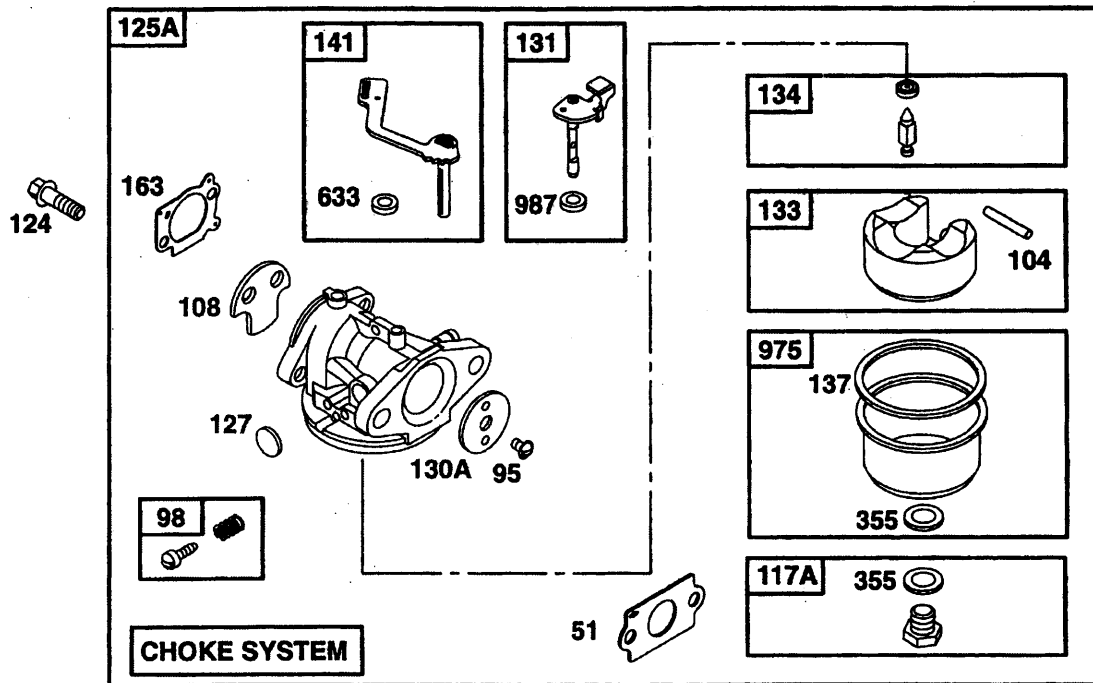


REF. PART NO.	PART NO.	DESCRIPTION	REF. PART NO.	PART NO.	DESCRIPTION	REF. PART NO.	PART NO.	DESCRIPTION
4	499619	Sump-Engine	24	222698	Key-Flywheel	284	94511	Screw-Shoulder
12	272198	Gasket-Crankcase	25	499627	Piston Assembly	523	499621	Dipstick
15	94880	Plug-Oil Drain	26	499631	Ring Set	525	495265	Tube-Oil Fill
16	498615	Crankshaft	27	263190	Lock-Piston Pin	562	94907	Bolt-Governor Lever
		<b>Note</b>	28	499423	Pin-Piston	592	231082	Nut-Hex.
		498612 Crankshaft	29	499424	Rod-Connecting	615	94474	Retainer-Governor
		Used on Type No(s).	32	94669	Screw-Connecting Rod	616	263175	Crank-Governor
		0163.	43	493737	Governor/Oil Slinger	741	262598	Gear-Timing
		498622 Crankshaft	46	499136	Gear-Cam	847	498715	Dipstick/Tube Assembly
		Used on type No(s).	116	280393	Seal-O-Ring			
		0172.	116A	280966	Seal-O-Ring			
20	399781	Seal-Oil	146	94388	Key-Timing			
22	94220	Screw-Hex.	227	498772	Lever-Governor			
		<b>Note</b>	230	67072	Washer			
		94612 Screw-Hex.						
		(One Used in Hole						
		Nearest Breather)						

# ENGINE PARTS

CRAFTSMAN 2350 PSI HIGH PRESSURE WASHER 919.762350

BRIGGS ENGINE MODEL #121602-0206-E1

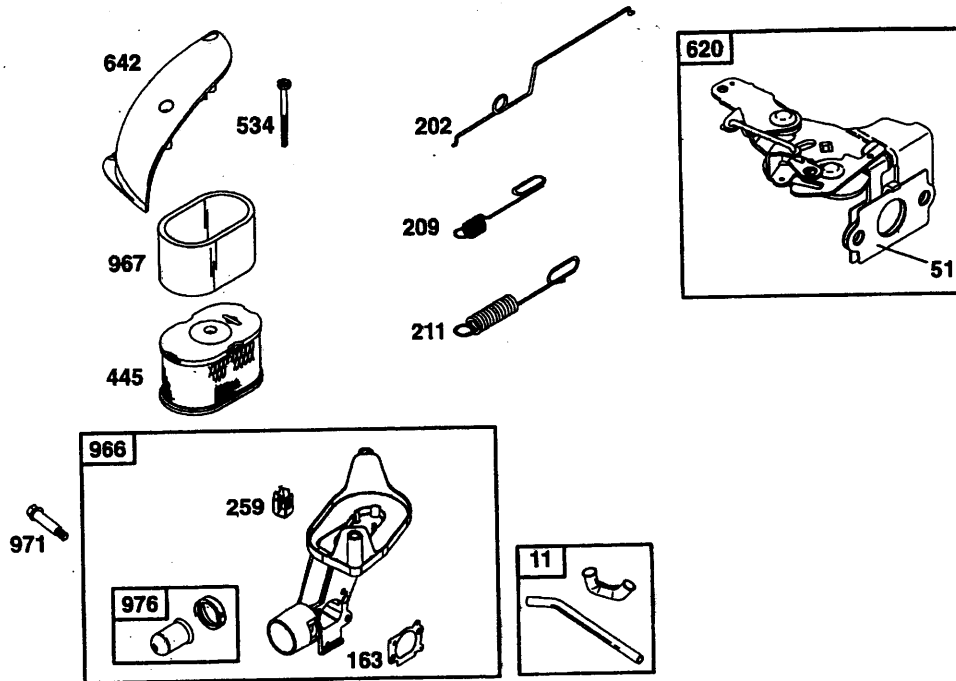


REF. PART NO.	PART NO.	DESCRIPTION	REF. PART NO.	PART NO.	DESCRIPTION	REF. PART NO.	PART NO.	DESCRIPTION
51	272487	Gasket-Intake	125	499617	Carburetor	137		Gasket-Float Bowl (Sold in Kit Only)
95	94098	Screw-Round Head	127		Plug-Welch (Sold in Kit Only)	163	273364	Gasket-Air Cleaner
104	231371	Pin-Float Hinge	130	224908	Valve-Throttle	355		Washer-Seal (Sold in Kit Only)
117	498978	Jet-Main (Standard)	131	499682	Shaft-Throttle	975	493640	Bowl-Float
		<b>Note</b>	133	398187	Float-Carburetor	987		Seal-Throttle Shaft (Sold in Kit Only)
		498975 Jet-Main (High Altitude)	134	398188	Valve-Needle			
124	95048	Screw-Hex.						

# ENGINE PARTS

CRAFTSMAN 2350 PSI HIGH PRESSURE WASHER 919.762350

BRIGGS ENGINE MODEL #121602-0206-E1

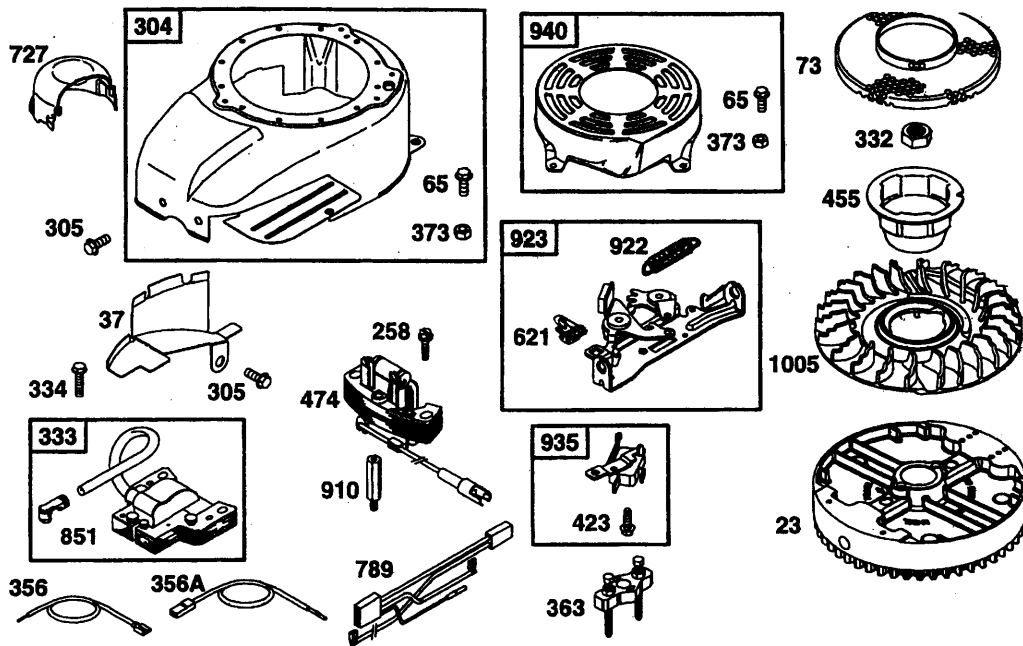


REF. PART NO.	PART NO.	DESCRIPTION	REF. PART NO.	PART NO.	DESCRIPTION	REF. PART NO.	PART NO.	DESCRIPTION
51	272487	Gasket-Intake	125A	499680	Carburetor	163	273364	Gasket-Air Cleaner
95	94098	Screw-Round Head	127		Plug-Welch (Sold in Kit Only)	355		Washer-Seal (Sold in Kit Only)
98	398185	Screw-Idle Speed	130A	223470	Valve-Throttel	633		Seal-Choke Shaft (Sold in Kit Only)
104	231371	Pin-Float Hinge	131	499682	Float-Carburetor	975	493640	Bowl-Float
108	224783	Valve-Choke	133	398187	Valve-Needle (Includes Seat)	987		Seal-Throttle Shaft (Sold in Kit Only)
117A	494870	Jet-Main (Standard)	134	398188	Gasket-Float Bowl			
		<b>Note</b>	137		(Sold in Kit Only)			
		497315 Jet-Main (High Altitude)	141	499681	Shaft-Choke			
124	95048	Screw-Hex.						

# ENGINE PARTS

CRAFTSMAN 2350 PSI HIGH PRESSURE WASHER 919.762350

BRIGGS ENGINE MODEL #121602-0206-E1

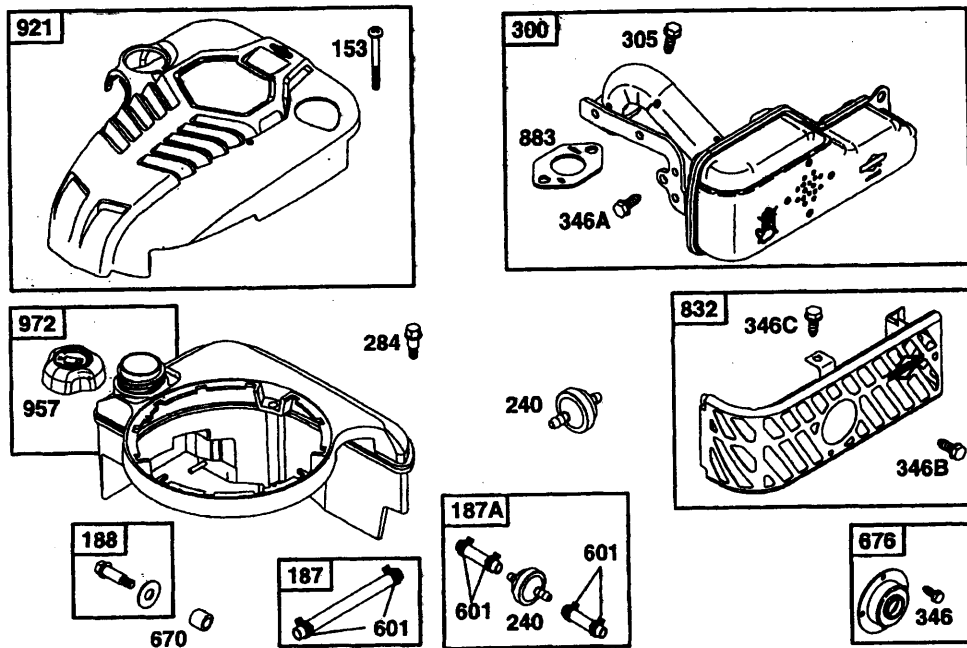


REF. PART NO.	PART NO.	DESCRIPTION	REF. PART NO.	PART NO.	DESCRIPTION	REF. PART NO.	PART NO.	DESCRIPTION
11	499675	Tube-Breather			263226 Spring-Gov.	642	281620	Cover-Air Cleaner
51	272487	Gasket-Intake			Used on Type No(s).			
163	273364	Gasket-Air Cleaner			0152.			
202	261348	Link-Mechanical Gov.				966	499684	Base-A/C Primer
209	263044	Spring-Governor				967	273356	Filter-Pre-Cleaner
			259	224348	Bracket-Casing Clamp	971	95103	Screw-Shoulder
			445	498596	Filter-A/C Cartridge	976	496115	Primer-Carburetor
			534	95059	Screw-Slotted			
			620	498706	Bracket-Control			

# ENGINE PARTS

CRAFTSMAN 2350 PSI HIGH PRESSURE WASHER 919.762350

BRIGGS ENGINE MODEL #121602-0206-E1



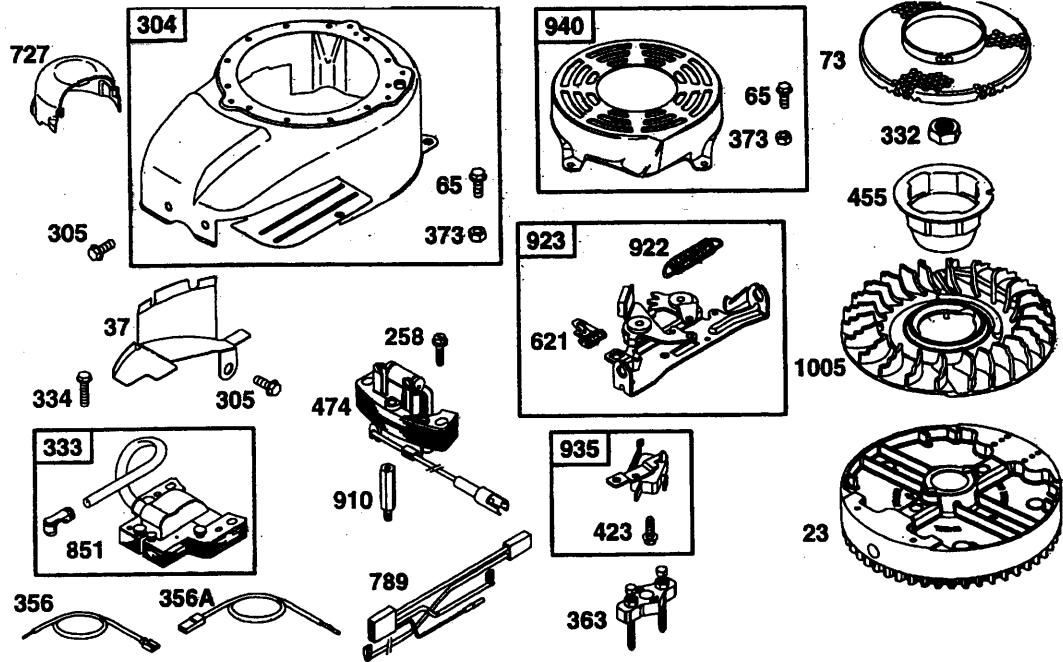
REF. PART NO.	PART NO.	DESCRIPTION	REF. PART NO.	PART NO.	DESCRIPTION	REF. PART NO.	PART NO.	DESCRIPTION
37	224511	Guard-Flywheel	305	94744	Screw-Hex.	851	493880	Terminal-Cable
65	94904	Screw-Hex.	332	94877	Nut-Flywheel	910	94510	Stud-Stator Mounting
73	225125	Screen-Rotating	333	802574	Armature-Magneto	922	262640	Spring-Brake
258	94512	Screw-Slotted Hex.	334	94731	Screw-Hex.	923	493442	Brake
304	499677	Housing-Blower	356	497833	Wire-Stop	935	499421	Switch-Interlock
			356A	493400	Wire-Stop	940	499679	Guard-Flywheel
			363	19069	Flywheel Puller	1005	281657	Fan-Flywheel
			373	94908	Nut-Hex.	1036	499343	Label Kit-Emission
			423	93758	Screw-Hex.			Used on Type No(s).
			455	225121	Cup-Flywheel			0015, 0100, 0152,
			474	492841	Alternator			0155.
			621	396847	Switch-Stop			
			727	281675	Cover-Starter Drive			
			789	493379	Harness-Wiring			



# ENGINE PARTS

CRAFTSMAN 2350 PSI HIGH PRESSURE WASHER 919.762350

BRIGGS ENGINE MODEL #121602-0206-E1

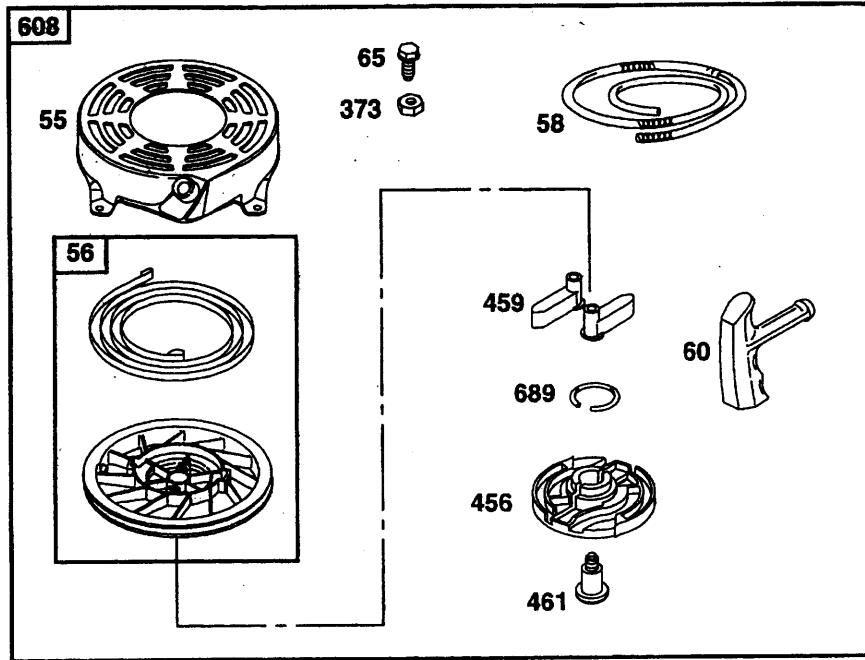


REF. PART NO.	PART NO.	DESCRIPTION	REF. PART NO.	PART NO.	DESCRIPTION	REF. PART NO.	PART NO.	DESCRIPTION
153	95050	Screw-Phillips	300	498733	Muffler-Exhaust	670	280512	Spacer-Fuel Tank
187	296004	Line-Fuel (Cut to Required Length)	305	94744	Screw-Hex.	676	397931	Deflector-Muffler
187A	498171	Line-Fuel	346	94896	Screw-Hex.	832	498736	Guard-Muffler
188	398540	Screw-Shoulder	346A	95062	Screw-Hex.	883	273348	Gasket-Exhaust
240	298090	Filter-Fuel	346B	94874	Screw-Hex.	921	498734	Cover-Blower Housing
284	94511	Screw-Shoulder	346C	94786	Screw-Hex.	957	498697	Cap-Fuel Tank
			601	93053	Clamp-Hose	972	499618	Tank-Fuel

# ENGINE PARTS

CRAFTSMAN 2350 PSI HIGH PRESSURE WASHER 919.762350

BRIGGS ENGINE MODEL #121602-0206-E1

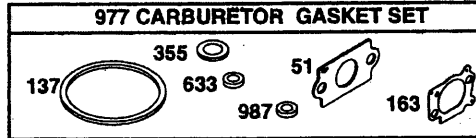
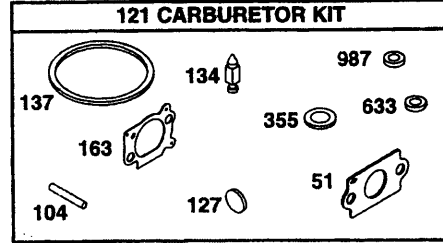
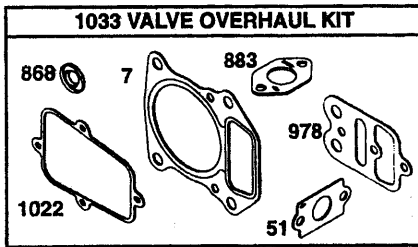
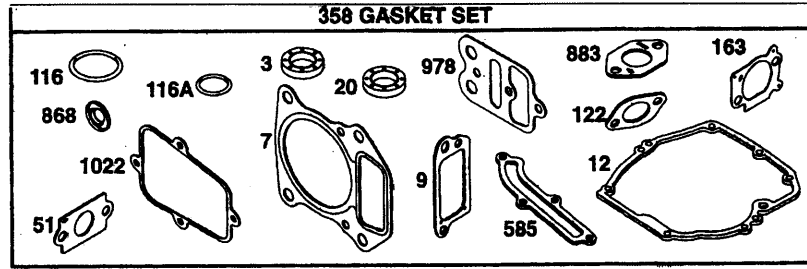


REF. PART NO. NO.	DESCRIPTION	REF. PART NO. NO.	DESCRIPTION	REF. PART NO. NO.	DESCRIPTION			
55	497440	Housing-Rewind Starter	60	281434	Grip-Starter Rope	461	94943	Screw-Shoulder
56	498144	Pulley-Starter	65	94904	Screw-Hex.	608	497680	Starter-Rewind
58	280399	Rope-Starter (Cut to Required Length)	373	94908	Nut-Hex.	689	263073	Spring-Friction
			456	281503	Retainer-Spring			
			459	281505	Plate-Paul Friction			

# ENGINE PARTS

CRAFTSMAN 2350 PSI HIGH PRESSURE WASHER 919.762350

BRIGGS ENGINE MODEL #121602-0206-E1



REF. PART NO.	NO.	DESCRIPTION	REF. PART NO.	NO.	DESCRIPTION	REF. PART NO.	NO.	DESCRIPTION
3	299819	Seal-oil	127		Plug-Welch (Sold in Kit Only)	633		Seal-Choke Shaft (Sold in Kit Only)
7	273240	Gasket-Cylinder Head	134	398188	Valve-Needle (Includes Seat)	868	498592	Seal-Valve
9	272481	Gasket-Breather	137		Gasket-Float Bowl (Sold in Kit Only)	883	273348	Gasket-Exhaust
12	272198	Gasket-Crankcase	163	273364	Gasket-Air Cleaner	977	499687	Gasket-Set Carburetor
20	399781	Seal-Oil	355		Washer-Seal (Sold in Kit Only)	978	273346	Gasket
51	272487	Gasket-Intake	358	499686	Gasket Set	987		Seal-Throttle Shaft (Sold in Kit Only)
104	231371	Pin-Float Hinge	585	272238	Gasket-Breather Passage	1022	273241	Gasket-Rocker Cover
116	290393	Seal-O-Ring				1033	499688	Kit-Valve Overhaul
116A	280966	Seal-O-Ring						
121	499685	Carburetor Kit						
122	281617	Spacer-Carburetor						

**Briggs & Stratton Corporation (B&S), the California Air Resources Board (CARB)  
and the United States Environmental Protection Agency (U.S. EPA)**

**Emission Control System Warranty Statement (Owner's Defect Warranty Rights and Obligations)**

In the interest of the environment, B&S engines that meet strict emission requirements are labeled, "This engine conforms to 1995 - 1998 California emission regulations for ULGE engines and U.S. EPA Phase I regulations for small non-road engines."

**EMISSION CONTROL WARRANTY COVERAGE IS APPLICABLE**

**California and United States Emission Control Defects Warranty Statement**

CARB, U.S. EPA and B&S are pleased to explain the Emission Control System Warranty on your 1996 and later utility or lawn and garden equipment (ULGE) engine. In California, new ULGE engines produced on or after August 1, 1995 must be designed, built and equipped to meet the State's stringent anti-smog standards. Elsewhere in the United States, new non-road, spark-ignition engines certified for model year 1997 and later, must meet similar standards set forth by the U.S. EPA. B&S must warrant the emission control system on your engine for the periods of time listed below, provided

**TO CERTIFIED ENGINES PURCHASED IN CALIFORNIA IN 1995 AND THEREAFTER, WHICH ARE USED IN CALIFORNIA, AND TO CERTIFIED MODEL YEAR 1997 AND LATER ENGINES WHICH ARE PURCHASED AND USED ELSEWHERE IN THE UNITED STATES.**

there has been no abuse, neglect or improper maintenance of your ULGE engine.

Your emission control system includes parts such as the carburetor, air cleaner, ignition system, muffler and catalytic converter. Also included may be connectors and other emission related assemblies. Where a warrantable condition exists, B&S will repair your ULGE engine at no cost to you including diagnosis, parts and labor.

**Briggs & Stratton Emission Control Defects Warranty Coverage**

ULGE engines are warranted relative to emission control parts defects for a period of two years, subject to provisions set forth

below. If any covered part on your engine is defective, the part will be repaired or replaced by B&S.

**Owner's Warranty Responsibilities**

As the ULGE engine owner, you are responsible for the performance of the required maintenance listed in your Operator/Owner Manual. B&S recommends that you retain all your receipts covering maintenance on your ULGE engine, but B&S cannot deny warranty solely for the lack of receipts or for your failure to ensure the performance of all scheduled maintenance.

You are responsible for presenting your ULGE engine to an Authorized B&S Service Dealer as soon as a problem exists. The undisputed warranty repairs should be completed in a reasonable amount of time, not to exceed 30 days.

As the ULGE engine owner, you should however be aware that B&S may deny you warranty coverage if your ULGE engine or a part has failed due to abuse, neglect, improper maintenance or unapproved modifications.

If you have any questions regarding your warranty rights and responsibilities, you should contact a B&S Service Representative at 1-414-259-5262.

The emission warranty is a defects warranty. Defects are judged on normal engine performance. The warranty is not related to an in-use emission test.

**Briggs & Stratton Emission Control Defects Warranty Provisions**

The following are specific provisions relative to your Emission Control Defects Warranty Coverage. It is in addition to the B&S engine warranty for non-regulated engines found in the Operator/Owner Manual.

**1. Warranted Parts**

Coverage under this warranty extends only to the parts listed below (the emission control systems parts) to the extent these parts were present on the engine purchased.

**a. Fuel Metering System**

- Cold start enrichment system (soft choke)
- Carburetor and internal parts
- Fuel Pump

**b. Air Induction System**

- Air cleaner
- Intake manifold

**c. Ignition System**

- Spark plug(s)
- Magneto ignition system

**d. Catalyst System**

- Catalytic converter
- Exhaust manifold
- Air injection system or pulse valve

**e. Miscellaneous Items Used in Above Systems**

- Vacuum, temperature, position, time sensitive valves and switches
- Connectors and assemblies

**2. Length of Coverage**

B&S warrants to the initial owner and each subsequent purchaser that the Warranted Parts shall be free from defects in materials and workmanship which caused the failure of the Warranted Parts for a period of two years from the date the engine is delivered to a retail purchaser.

**3. No Charge**

Repair or replacement of any Warranted Part will be performed at no charge to the owner, including diagnostic labor which leads to the determination that a Warranted Part is defective, if the diagnostic work is performed at an Authorized B&S Service Dealer. For emissions warranty service contact your nearest Authorized B&S Service Dealer as listed in the "Yellow Pages" under "Engines, Gasoline," "Gasoline Engines," "Lawn Mowers," or similar category.

**4. Claims and Coverage Exclusions**

Warranty claims shall be filed in accordance with the provisions of the B&S Engine Warranty Policy. Warranty coverage shall be excluded for failures of Warranted Parts which are not original B&S parts or because of abuse, neglect or improper maintenance as set forth in the B&S Engine Warranty Policy. B&S is not liable to cover failures of Warranted Parts caused by the use of add-on, non-original, or modified parts.

**5. Maintenance**

Any Warranted Part which is not scheduled for replacement as required maintenance or which is scheduled only for regular inspection to the effect of "repair or replace as necessary" shall be warranted as to defects for the warranty period. Any Warranted Part which is scheduled for replacement as required maintenance shall be warranted as to defects only for the period of time up to the first scheduled replacement for that part. Any replacement part that is equivalent in performance and durability may be used in the performance of any maintenance or repairs. The owner is responsible for the performance of all required maintenance, as defined in the B&S Operator/Owner Manual.

**6. Consequential Coverage**

Coverage hereunder shall extend to the failure of any engine components caused by the failure of any Warranted Part still under warranty.

Briggs & Stratton welcomes warranty repair and apologizes to you for being inconvenienced. Any Authorized Service Dealer may perform warranty repairs. Most warranty repairs are handled routinely, but sometimes requests for warranty service may not be appropriate. For example, warranty would not apply if engine damage occurred because of misuse, lack of routine maintenance, shipping, handling, warehousing or improper installation. Similarly, warranty is void if the serial number of the engine has been removed or the engine has been altered or modified.

If a customer differs with the decision of the Service Dealer, an investigation will be made to determine whether the warranty applies. Ask the Service Dealer to submit all supporting facts to his Distributor or the Factory for review. If the Distributor or the Factory decides that the claim is justified, the customer will be fully reimbursed for those items that are defective. To avoid misunderstanding which might occur between the customer and the Dealer, listed below are some of the causes of engine failure that the warranty does not cover.

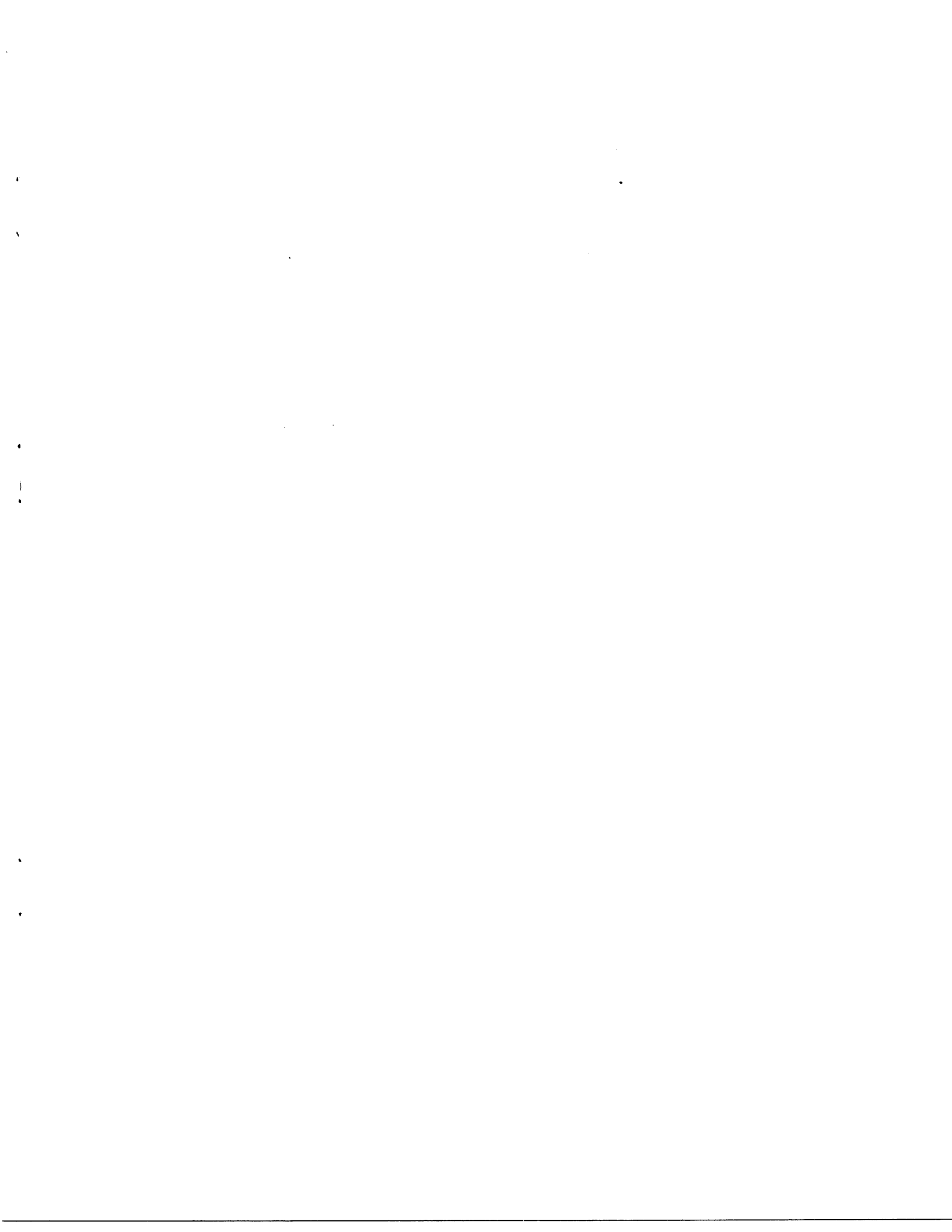
**Improper maintenance:**

The life of an engine depends upon the conditions under which it operates, and the care it receives. Some applications, such as tillers, pumps and rotary mowers, are very often used in dusty or dirty conditions, which can cause what appears to be premature wear. Such wear, when caused by dirt, dust, spark plug cleaning grit, or other abrasive material that has entered the engine because of improper maintenance, is not covered by warranty.

**This warranty covers engine related defective material and/or workmanship only, and not replacement or refund of the equipment to which the engine may be mounted. Nor does the warranty extend to repairs required because of:**

1. PROBLEMS CAUSED BY PARTS THAT ARE NOT ORIGINAL BRIGGS & STRATTON PARTS.
2. Equipment controls or installations that prevent starting, cause unsatisfactory engine performance, or shorten engine life. (Contact equipment manufacturer.)
3. Leaking carburetors, clogged fuel pipes, sticking valves, or other damage, caused by using contaminated or stale fuel. (Use clean, fresh, lead-free gasoline and Briggs & Stratton gasoline stabilizer, Part No. 5041.)

4. Parts which are scored or broken because an engine was operated with insufficient or contaminated lubricating oil, or an incorrect grade of lubricating oil (check oil level daily or after every 8 hours of operation. Refill when necessary and change at recommended intervals.) Read "Owner's Manual."
5. Repair or adjustment of associated parts or assemblies such as clutches, transmissions, remote controls, etc., which are not manufactured by Briggs & Stratton.
6. Damage or wear to parts caused by dirt, which entered the engine because of improper air cleaner maintenance, re-assembly, or use of a non-original air cleaner element or cartridge. (At recommended intervals, clean and re-oil the Oil-Foam® element or the foam pre-cleaner, and replace the cartridge.) Read "Owner's Manual."
7. Parts damaged by overspeeding, or overheating caused by grass, debris, or dirt, which plugs or clogs the cooling fins, or flywheel area, or damage caused by operating the engine in a confined area without sufficient ventilation. (Clean fins on the cylinder, cylinder head and flywheel at recommended intervals.) Read "Owner's Manual."
8. Engine or equipment parts broken by excessive vibration caused by a loose engine mounting, loose cutter blades, unbalanced blades or loose or unbalanced impellers, improper attachment of equipment to engine crankshaft, overspeeding or other abuse in operation.
9. A bent or broken crankshaft, caused by striking a solid object with the cutter blade of a rotary lawn mower, or excessive v-belt tightness.
10. Routine tune-up or adjustment of the engine.
11. Engine or engine component failure, i.e., combustion chamber, valves, valve seats, valve guides, or burned starter motor windings, caused by the use of alternate fuels such as, liquified petroleum, natural gas, altered gasolines, etc.



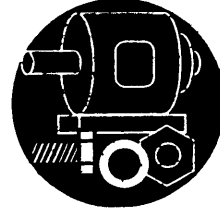


**For the repair or replacement parts you need**

Call 7 am - 7 pm, 7 days a week

**1-800-366-PART**

(1-800-366-7278)



---

**For in-home major brand repair service**

Call 24 hours a day, 7 days a week

**1-800-4-REPAIR**

(1-800-473-7247)



---

**For the location of a  
Sears Parts and Repair Center in your area**

Call 24 hours a day, 7 days a week

**1-800-488-1222**



---

**For information on purchasing a Sears  
Maintenance Agreement or to inquire  
about an existing Agreement**

call 9 am - 5 pm, Monday-Saturday

**1-800-827-6655**



**SEARS**

REPAIR SERVICES

America's Repair Specialists



# **MANUAL DEL OPERADOR**

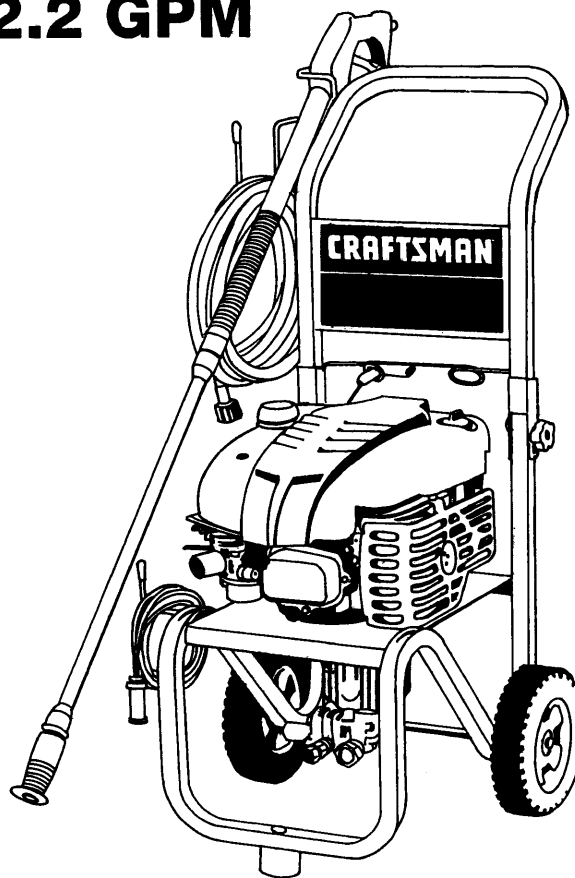
# **CRAFTSMAN®**

**Lavadora de Alta Presión**

**6.0 Caballos de Fuerza**

**2350 PSI 2.2 GPM**

**Modelo No.  
919.762350**



**ADVERTENCIA:** Leer este manual y observar todas las Precauciones de Seguridad e Instrucciones de Operación antes de usar este equipo.



**TELÉFONO DE AYUDA  
PARA CLIENTES DE  
LAVADORAS A PRESIÓN  
1-800-245-5873**

- Seguridad
- Ensamblaje
- Operación
- Mantenimiento
- Lista de Partes
- Español

**Sears, Roebuck and Co., Hoffman Estates, IL 60179 U.S.A.**

# TABLA DE CONTENIDOS

Garantía .....	34	Servicio y Regulaciones .....	45-46
Pautas de Seguridad .....	35-37	Almacenaje .....	46
Ensamblaje .....	37-39	Guía para Diagnóstico de Problemas .....	47
Operación .....	39-43	Repuestos .....	48-51
Mantenimiento .....	43-45	Cómo Ordenar Repuestos .....	Contratapa

## **GARANTÍA LIMITADA DE UN AÑO PARA LAVADORAS CRAFTSMAN DE ALTA PRESIÓN**

Por un año a partir de la fecha de compra, y siempre que esta Lavadora Craftsman de Alta Presión se mantenga y opere de acuerdo a las instrucciones en el Manual del Operador, Sears reparará cualquier defecto de material o fabricación sin costo alguno.

Si esta lavadora se usa para propósitos comerciales, la garantía sólo será aplicable por 90 días a partir de la fecha de compra. Si esta lavadora se usa para alquiler, esta garantía sólo será aplicable por 30 días a partir de la fecha de compra.

## **GARANTÍA LIMITADA DE UN AÑO DEL MOTOR CRAFTSMAN**

Por un año a partir de la fecha de compra, y siempre que este motor Craftsman se mantenga y opere de acuerdo a las instrucciones en el Manual del Operador, Sears reparará cualquier defecto de material o fabricación sin costo alguno.

Si el motor Craftsman se usa para propósitos comerciales o de alquiler, la garantía sólo será aplicable por 90 días a partir de la fecha de compra. Esta garantía no cubre piezas sujetas a desgaste tales como bujías y filtros de aire, los cuales se gastan con el uso normal.

La garantía no cubre las reparaciones que se hagan necesarias debido al mal uso o negligencia de parte del operador, incluyendo daños causados por no suministrarle agua a la bomba o no mantener el equipo de acuerdo a las instrucciones contenidas en este manual.

SE PUEDE OBTENER SERVICIO POR GARANTÍA SI SE LLEVA LA LAVADORA DE ALTA PRESIÓN AL CENTRO/DEPARTAMENTO DE SERVICIO DE GARANTÍA MÁS CERCANO EN CUALQUIER LUGAR DE ESTADOS UNIDOS. Esta garantía le otorga ciertos derechos legales específicos y usted también podría tener otros derechos que varían de un estado a otro.

**Sears, Roebuck and Co., D/817 WA, Hoffman Estates, IL 60179**

## PAUTAS DE SEGURIDAD - DEFINICIONES

Este manual contiene información que es importante que usted sepa y entienda. Esta información se relaciona con la protección de SU SEGURIDAD y la PREVENCIÓN DE PROBLEMAS AL EQUIPO. Para ayudarlo a identificar esta información usamos los siguientes símbolos. Por favor leer este manual y prestar atención especial a estas secciones. **CONSERVAR ESTAS DEFINICIONES/INSTRUCCIONES.**

▲ **ADVERTENCIA** indica una situación potencialmente riesgosa, la cual, si no se evita puede causar **lesiones serias o muerte.**

▲ **PELIGRO** indica una situación riesgosa inminente que si no se evita causará **lesiones serias o muerte.**



▲ **CUIDADO** indica una situación potencialmente peligrosa que si no se evita puede causar **lesiones menores.**

10/2/97

## INSTRUCCIONES IMPORTANTES DE SEGURIDAD

### ▲ ADVERTENCIA


LA OPERACIÓN O EL MANTENIMIENTO INAPROPIADOS DE ESTA UNIDAD PUEDEN CAUSAR LESIONES SERIAS Y DAÑOS A LA PROPIEDAD. LEER Y ENTENDER TODAS LAS ADVERTENCIAS DE SEGURIDAD E INSTRUCCIONES DE OPERACIÓN ANTES DE USAR ESTA UNIDAD.

RIESGO	QUE PUEDE SUCEDER	COMO PREVENIRLO
<p>▲ <b>PELIGRO</b></p> <p><b>RIESGO DE INCENDIO O EXPLOSIÓN</b></p> 	<ul style="list-style-type: none"> <li>• La gasolina y los vapores de gasolina pueden encenderse con las chispas de los cigarrillos, arcos eléctricos, gases de escape y los componentes calientes de los motores tales como el mofle.</li> <li>• El calor expandirá el combustible en el tanque lo cual puede causar un derrame y posiblemente fuego o explosión.</li> <li>• Operar la unidad en un ambiente con riesgos de explosión, puede causar un incendio.</li> <li>• Los materiales colocados contra la lavadora de presión o cerca de ésta pueden interferir con su ventilación apropiada causando sobrecalentamiento y posible inflamación de los materiales.</li> <li>• El combustible indebidamente guardado puede causar una ignición accidental. El combustible indebidamente asegurado puede caer en las manos de niños u otras personas indebidas.</li> </ul>	<ul style="list-style-type: none"> <li>• Apagar el motor y permitir que se enfríe antes de agregar combustible al tanque.</li> <li>• Tener cuidado al llenar el tanque para evitar derramar el combustible. Retirar la lavadora de presión del área de relleno de combustible antes de arrancar el motor.</li> <li>• Mantener el nivel máximo del combustible a 1.5 cm por debajo de la tapa del tanque de combustible para dejar sitio para la expansión.</li> <li>• Operar y agregar combustible al equipo en áreas bien ventiladas y libres de obstrucciones. Equipar el área de operación con extinguidor(es) adecuado(s) para incendios de gasolina.</li> <li>• Nunca operar la lavadora de presión en un área que contenga hierbas o ramas secas.</li> <li>• Almacenar la gasolina en envase designado para contener gasolina y en un lugar seguro lejos del área de trabajo.</li> </ul>
<p>▲ <b>PELIGRO</b></p> <p><b>RIESGO A LA RESPIRACIÓN</b></p> 	<ul style="list-style-type: none"> <li>• Inhalar los gases del escape causará lesiones serias o muerte.</li> <li>• Algunos líquidos limpiadores contienen sustancias que pueden causar daño a la piel, los ojos o los pulmones.</li> </ul>	<ul style="list-style-type: none"> <li>• Operar la lavadora de presión en un área bien ventilada. Evitar áreas cerradas tales como garajes, sótanos, etc.</li> <li>• Nunca operar la unidad en lugares ocupados por personas ni animales.</li> <li>• Solo usar líquidos limpiadores especialmente recomendados para lavadoras de alta presión. Seguir las recomendaciones del fabricante.</li> </ul>

# INSTRUCCIONES IMPORTANTES DE SEGURIDAD (Cont.)

RIESGO	QUE PUEDE SUCEDER	COMO PREVENIRLO
<p><b>⚠ ADVERTENCIA</b> RIESGO POR OPERACIÓN INSEGURA</p> 	<ul style="list-style-type: none"> <li>• La operación o mantenimiento inadecuados de la lavadora de presión puede causar lesiones serias o muerte al operador o a otras personas.</li> <li>• La pistola/tubo aplicador es una herramienta potente de limpieza y a un niño podría parecerle un juguete.</li> <li>• La fuerza reactiva del chorro hará que el aplicador “patee” y pueda causar que el operador se resbale y caiga o dirija mal el chorro. La pérdida de control del aplicador puede causar lesiones al mismo operador o a otros.</li> </ul>	<ul style="list-style-type: none"> <li>• Familiarizarse con la operación y los controles de la lavadora de presión.</li> <li>• Mantener a los niños alejados de la lavadora de presión en todo momento.</li> <li>• Nunca burlar los dispositivos de seguridad de este equipo.</li> <li>• No operar la máquina con piezas faltantes, rotas o no autorizadas.</li> <li>• Nunca dejar desatendido el tubo aplicador cuando la lavadora esté en operación.</li> <li>• Mantener el área de trabajo libre de obstáculos.</li> <li>• Pararse en una superficie estable y agarrar con firmeza la pistola/tubo aplicador. Prepararse para el retroceso de la pistola aplicadora cada vez que se presione el gatillo.</li> </ul>
<p><b>⚠ ADVERTENCIA</b> RIESGO DE LESIONES POR EL CHORRO</p> 	<ul style="list-style-type: none"> <li>• El chorro de los líquidos a alta velocidad puede causar la rotura de algunos objetos proyectando sus partículas a altas velocidades.</li> <li>• Los objetos livianos o que no estén sujetos se pueden convertir en proyectiles peligrosos.</li> </ul>	<ul style="list-style-type: none"> <li>• Siempre usar anteojos de seguridad que cumplan con la norma Z87 de ANSI. Siempre usar ropa especial para protegerse del chorro.</li> <li>• Nunca apuntar el tubo aplicador ni dirigir el chorro a personas ni animales.</li> <li>• Para evitar que se accione accidentalmente siempre enganchar el seguro del gatillo cuando la pistola aplicadora no esté en uso.</li> <li>• Nunca fijar el gatillo permanentemente en la posición de abierto.</li> </ul>
<p><b>⚠ ADVERTENCIA</b> RIESGO DE CHOQUE ELÉCTRICO</p> 	<ul style="list-style-type: none"> <li>• Dirigir el chorro hacia tomacorrientes o interruptores eléctricos, o hacia objetos conectados al suministro eléctrico puede causar choque eléctrico.</li> </ul>	<ul style="list-style-type: none"> <li>• Desconectar cualquier aparato eléctrico antes de intentar limpiarlo. No dirigir el chorro a tomacorrientes ni a interruptores eléctricos.</li> </ul>
<p><b>⚠ ADVERTENCIA</b> RIESGO DE INYECCIÓN DE LÍQUIDO</p> 	<ul style="list-style-type: none"> <li>• La máquina opera con fluidos a alta presión y a velocidades lo suficientemente altas para penetrar el cuerpo de personas y animales, lo cual puede resultar en lesiones serias y amputación. Las pérdidas causadas por conexiones flojas o gastadas pueden causar inyección y lesiones. ¡NO TRATAR LA INYECCIÓN DE LÍQUIDOS COMO UN SIMPLE CORTE! Obtener atención médica de inmediato.</li> <li>• Aliviar la presión del sistema antes de intentar darle mantenimiento o desensamblarlo.</li> </ul>	<ul style="list-style-type: none"> <li>• Nunca colocar las manos delante de la boquilla.</li> <li>• No dirigir el chorro hacia uno mismo ni hacia otras personas.</li> <li>• Asegurarse que la manguera y las conexiones estén bien ajustadas y en buenas condiciones. Nunca agarrar la manguera ni las conexiones durante la operación.</li> <li>• No permitir que la manguera entre en contacto con el mofle.</li> <li>• Nunca poner ni quitar el tubo aplicador ni los acoples de la manguera mientras que el sistema esté presurizado.</li> <li>• Usar únicamente mangueras y accesorios de alta presión para servicio a 2000 PSI.</li> <li>• Para aliviar la presión del sistema, apagar el motor, cortar el suministro de agua y tirar del gatillo hasta que el agua deje de fluir.</li> </ul>
<p><b>⚠ ADVERTENCIA</b> RIESGO DE QUEMADURAS QUÍMICAS</p> 	<ul style="list-style-type: none"> <li>• El uso de ácidos, químicos tóxicos o corrosivos, venenos, insecticidas, o cualquier tipo de solvente inflamable en esta unidad pueden causar lesiones personales serias o muerte.</li> </ul>	<ul style="list-style-type: none"> <li>• No usar ácidos, gasolina, kerosene ni otros materiales inflamables en esta unidad. Sólo usar detergentes domésticos, limpiadores y desengrasantes recomendados para usar en esta lavadora de presión.</li> <li>• Usar ropa protectora para evitar que los ojos y la piel entren en contacto con los materiales rociados.</li> </ul>

# INSTRUCCIONES IMPORTANTES DE SEGURIDAD (Cont.)

RIESGO	QUE PUEDE SUCEDER	COMO PREVENIRLO
<p><b>ADVERTENCIA</b></p> <p><b>RIESGO POR SUPERFICIES CALIENTES</b></p> 	<ul style="list-style-type: none"> <li>El contacto con superficies calientes, tales como los componentes del escape, puede causar quemaduras serias.</li> </ul>	<ul style="list-style-type: none"> <li>Durante la operación, sólo tocar las superficies de control. Mantener a los niños alejados de la lavadora en todo momento. Ellos pueden no reconocer los riesgos de esta máquina.</li> </ul>

**Símbolos Internacionales**



Alerta de Seguridad - Leer el Manual de Operación



Apagar /Prender



Detener



Corte de Combustible



Combustible



Cebado

## IMPORTANTE:

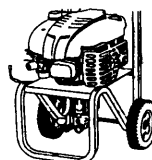
El poderoso chorro producido por la lavadora de presión es capaz de dañar superficies frágiles tales como; madera, vidrio, pintura y molduras automotrices, y objetos delicados tales como flores y arbustos. Antes de rociar, inspeccionar el objeto a limpiarse para asegurarse que es lo suficientemente robusto como para resistir la fuerza del chorro sin sostener daños. Evitar usar chorros muy concentrados excepto para limpiar superficies fuertes tales como concreto y acero.

Operar la unidad con el suministro de agua cerrado y sin flujo de agua le causará daños al equipo. Nunca se debe operar esta lavadora de presión por más de 2 minutos sin tirar del gatillo para permitir el ingreso de agua fría a la bomba y que haga salir el agua caliente. Operar la lavadora de presión con el flujo de agua cortado anulará la garantía.

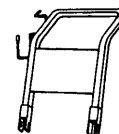
## ENSAMBLAJE

### Contenidos de la Caja

- Unidad principal de la lavadora a presión con ruedas
- Asa
- Manguera para alta presión
- Manguera absorbente de soluciones químicas y filtro
- Pistola
- Tubo aplicador



Unidad principal de la lavadora a presión con ruedas



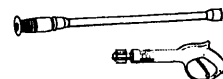
Asa



Manguera para alta presión



Manguera absorbente de soluciones químicas y filtro



Pistola y Tubo aplicador

- Bolsa conteniendo
  - Casete de vídeo
  - Manual del Operador
  - Juego de limpiador de boquillas y anillos "O" de repuesto
  - Botella de aceite para motor
  - Tope amortiguador de caucho para pata y elemento de fijación
  - Elementos de sujeción para el asa



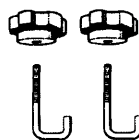
Casete de vídeo



Manual del Operador



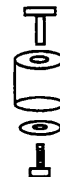
Juego de limpiador de boquillas



Elementos de sujeción para el asa



Botella de aceite para motor



Tope amortiguador de caucho para pata y elemento de fijación



Anillos "O" de repuesto

## Herramientas Requeridas para el Ensamblaje

Llave regulable para tuercas

Llave hexagonal Allen de 5mm (incluida)

## Sacar la Lavadora de Presión de la Caja

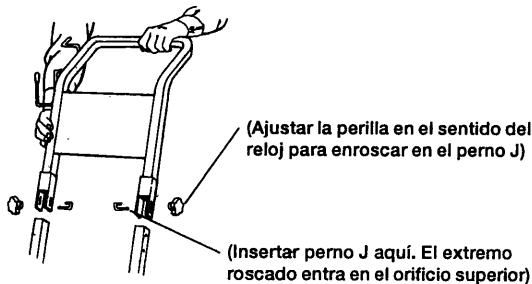
- Abrir la caja por la parte de arriba. Dentro de la caja ubicar y sacar la pistola y el tubo aplicador, la cinta de vídeo y la botella de aceite.
- Cortar la caja a lo largo de la línea punteada.
- Sacar el empaque de la caja.
- Hacer rodar la unidad por la apertura de la caja.

**NOTA:** La manguera se encuentra en el fondo de la caja.

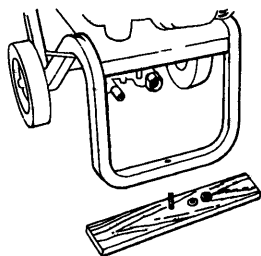
## Preparación de la Lavadora de Presión para el Primer Uso

**Nota:** En la caja de la lavadora se incluye una cinta de vídeo que muestra como preparar la unidad para su operación. Se recomienda ver esta cinta de vídeo antes de continuar con los siguientes pasos.

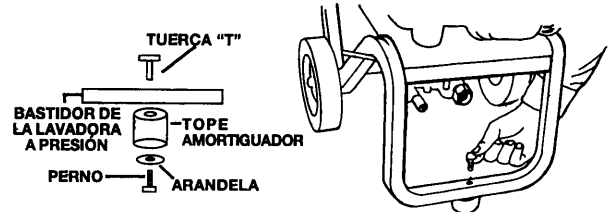
1. • Insertar el asa en el bastidor.
  - Ajustar las perillas girándolas en el sentido del reloj.
  - Ajustar la perilla girándola en el sentido del reloj.



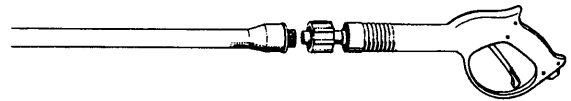
2. • Quitar la plancha de madera del bastidor de la unidad. Desechar la tuerca, el perno y la tabla. Quitar la tuerca del perno que junta la plancha de madera al bastidor, usando una tuerca ajustable.



3. • Instalar el tope amortiguador de caucho en el bastidor colocando el extremo roscado del perno dentro de la arandela. Luego, con la arandela en el perno, pasar el extremo roscado del perno por el tope amortiguador. Colocar la parte roscada del tope amortiguador en el mismo orificio donde estuvo montada la tabla de madera en la lavadora a presión. A continuación colocar la tuerca en forma de T sobre la parte roscada del perno y, usando la llave Allen provista, sujetar el tope amortiguador al bastidor.



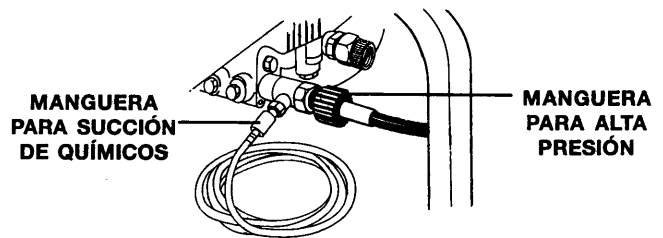
4. • Conectar el tubo aplicador a la pistola. Para ajustar, girar la perilla en el sentido del reloj. Ajustar a mano.



5. • Cortar el amarre de la manguera para alta presión. Desenrollar la manguera y conectar el extremo roscado a la pistola.



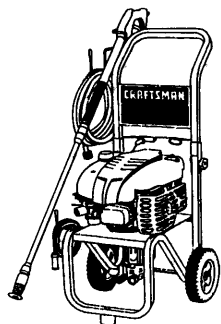
6. • Conectar la manguera para alta presión a la salida de la presión en la lavadora y ajustarla firmemente a mano. Conectar la manguera de succión de químicos al niple en el conector de la manguera de la bomba.



**NOTA:** Siempre mantener la manguera alejada del tubo de escape del motor.

7. • Colocar la pistola ensamblada con el tubo aplicador en el soporte de la lavadora a presión.

8. • Coloca la cuerda de arranque en el soporte tipo argolla.
  - Pasar la cuerda por debajo del soporte a la derecha de la argolla.
  - Elevar el mango de la cuerda de arranque y deslizar la cuerda hacia la izquierda para que entre en la argolla.
  - Luego deslizar el mango por atrás del soporte hacia el lado izquierdo de la argolla.
  - El retroceso del motor halará el mango y lo pondrá en su posición final.



## Lista de Comprobación

Antes de continuar, por favor comprobar lo siguiente:

- Haber seguido las instrucciones de ensamblaje completamente.
- Haber revisado dos veces que todos los acoples estén firmemente ajustados.

**IMPORTANTE:** Antes de cualquier intento de arrancar la lavadora a presión, cerciorarse de inspeccionar el aceite del motor (referirse a la sección Aceite del Motor en el capítulo Operación. Ver la página 9).

# OPERACIÓN

## Familiarizarse con la Lavadora de Presión

**Leer el Manual del Operador y las Pautas de Seguridad antes de operar la Lavadora de Alta Presión.** Comparar esta ilustración con nuestra lavadora de presión para familiarizarse con los diversos controles y dispositivos de regulación. Conservar este manual para referencia futura.

**BOMBA:** Desarrolla alta presión.

**REGULADOR DE PRESIÓN:** Permite regular la presión del chorro de salida.

**INTERRUPTOR PARA ARRANCAR Y APAGAR:** Coloca la unidad en la modalidad para arrancar con la cuerda de arranque y para **Apagar** el motor cuando está funcionando.

**CUERDA DEL ARRANCADOR:** Se usa para arrancar el motor manualmente.

**PISTOLA APLICADORA:** Tiene un gatillo que permite controlar el agua que se aplica a la superficie que se desea lavar.

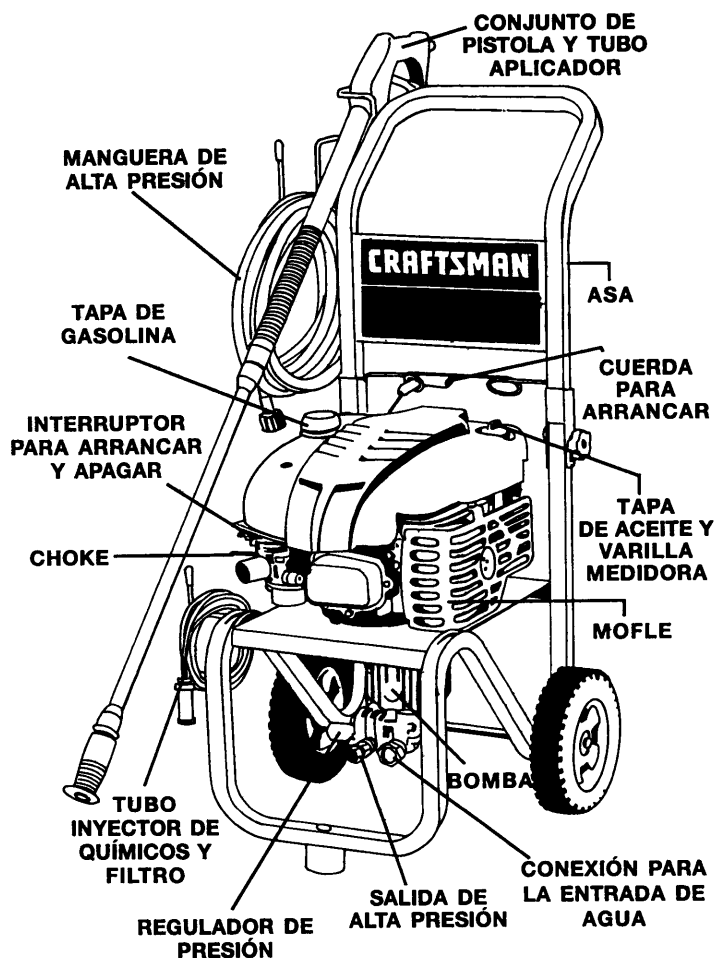
**TAPA DE ACEITE Y VARILLA MEDIDORA:** Toma por donde se le rellena aceite al motor.

**TAPA DEL TANQUE DE GASOLINA:** La tapa se saca para rellenar con gasolina sin plomo.

**TUBO INYECTOR DE QUÍMICOS Y FILTRO:** Mezcla el agua y el detergente en el punto de alimentación del agua.

**SALIDA DE ALTA PRESIÓN:** Conexión para la manguera de alta presión.

**CHOKE:** Palanquita de cebado para arrancar la unidad.



**▲ Advertencia:** Leer el Manual del Operador. No intentar operar este equipo hasta haber leído las instrucciones de Seguridad, Operación y Mantenimiento.

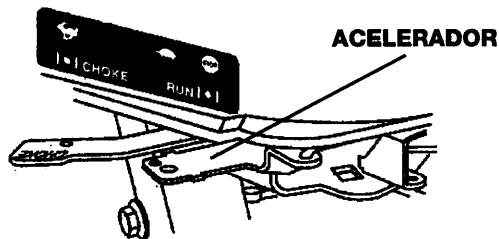
**Nota:** En la caja de la lavadora se incluye una cinta de vídeo que muestra como operar la lavadora de presión. Si se dispone de una grabadora de vídeo se recomienda ver esta cinta antes de operar la unidad.

**▲ Advertencia:** Nunca regular la forma del abanico del chorro mientras se esté rociando. Nunca colocar las manos delante de la boquilla del chorro para modificar la forma del chorro porque puede lesionarse.

### Apagado de la Lavadora de Presión

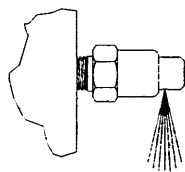
**▲ CUIDADO:** No operar la bomba a menos que la manguera de abastecimiento de agua esté conectada a una llave de agua que esté abierta, de lo contrario de dañará la bomba.

- Para apagar la lavadora de presión, mover la palanca de aceleración a la posición de OFF/APAGAR.



- La presión de agua del sistema no se aliviará con sólo apagar el motor. Después que el motor se haya detenido, presionar el gatillo de la pistola por unos 3 segundos para descargar la presión. La longitud del chorro disminuirá.

**IMPORTANTE:** Esta unidad está equipada con una válvula térmica de alivio. Si se deja funcionar la unidad por varios minutos sin presionar el gatillo de la pistola puede ser que varias gotas de agua salgan por esta válvula para enfriar la unidad. El agua fluirá del fondo de la bomba.



### Antes de Arrancar el Motor

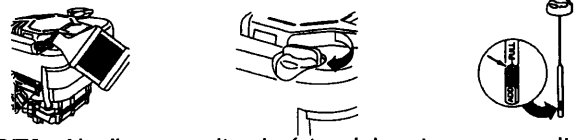
Hacer lo siguiente para hacer que el motor funcione:

**NOTA:** La bomba de la lavadora a presión es una bomba sellada y nunca debería necesitar relleno ni cambio el aceite.

**▲ CUIDADO:** Siempre verificar el nivel de aceite del motor antes de cada arranque. Hacer que el motor funcione sin aceite o con el nivel bajo puede casar daños serios al motor.

### Aceite del Motor

La unidad ha sido despachada sin aceite en el motor, pero se incluye una botella de aceite SAE 30 en la caja de embalaje. Sacar la tapa de aceite con varilla medidora ubicada sobre el motor. La capacidad de aceite es aproximadamente 591 ml (20 Onz.). La varilla medidora está claramente marcada con líneas indicadoras que permiten saber cuando hay suficiente aceite. No sobrepasar la línea de llenado. Rellenar el aceite lentamente. Para revisar el aceite, introducir la varilla medidora dentro de la toma de aceite. Ajustar la medidora y volverla a sacar. No sobrepasar la línea de llenado. Rellenar el aceite lentamente.



**NOTA:** Al rellenar aceite al cárter del motor, usar aceite de alta calidad y grado SAE 30 conteniendo detergente clasificado para servicio SF, SG o SH. No usar aditivos especiales. Seleccionar el grado de viscosidad de acuerdo a las temperatura de operación que se esperen tener.

Más frío	<-----	4°C/40°F	----->	mas caliente
Sintético		5W-30	I	SAE 30

A pesar que los aceites de viscosidad múltiple (5W30, 10W30, etc.) mejoran el arranque en climas fríos, estos pueden aumentar el consumo de aceite cuando se usen por encima de 4°C/40°F. Revisar el nivel del aceite con más frecuencia para evitar posibles daños al motor por operar con poco aceite. La capacidad de aceite del cárter es de 591ml (20 Onz.).

### Gasolina

El motor de la lavadora de presión es de 4 tiempos. Usar únicamente gasolina sin plomo.

**▲ CUIDADO:** No rellenar el tanque de gasolina demasiado. Siempre dejar espacio para la expansión del combustible.

**▲ ADVERTENCIA:** Nunca rellenar el tanque en interiores. Nunca rellenar el tanque de combustible cuando el motor esté funcionando ni cuando esté caliente. No fumar ni tener llamas cerca cuando se rellene combustible.



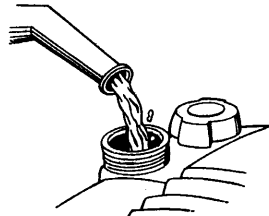
Usar gasolina regular sin plomo que esté fresca y limpia de mínimo 85 octanos. No mezclar el aceite con la gasolina. Si no se dispone de gasolina sin plomo, se puede usar gasolina con plomo.

**IMPORTANTE:** Durante el almacenaje, es importante evitar la formación de sedimentos pegajosos en el sistema de combustión tales como en el carburador, manguera del filtro de combustible o tanque. La experiencia también nos indica que las gasolinas mezcladas con alcohol (llamadas gasohol o que tienen etanol o metanol) pueden atraer humedad que luego se separará y formará ácidos durante el almacenaje de la unidad. La gasolina ácida puede dañar el motor mientras esté almacenado. Para evitarle problemas al motor, vaciar el sistema de combustión antes de almacenar la unidad por 30 días o más. Nunca echar productos limpiadores para el motor o el carburador en el tanque de combustible porque se pueden causar daños permanentes.

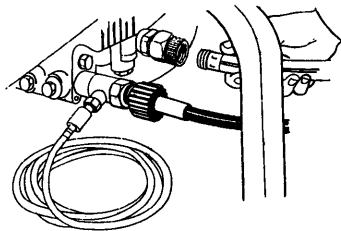
**NOTA:** Nunca arrancar la lavadora a presión a menos que esté conectada a un suministro de agua y que la llave esté abierta.

### Para Arrancar la Lavadora a Presión

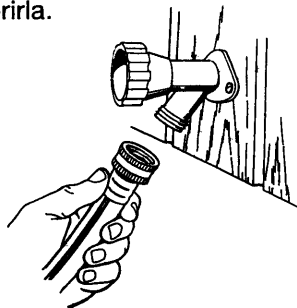
- Sacar la tapa del tanque de gasolina.
- Agregar lentamente gasolina sin plomo en el tanque.
- No sobrellenar.



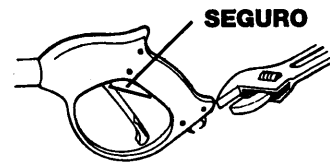
- Conectar una manguera de jardín a la boquilla de la toma de agua en la lavadora a presión. Ajustarla girando la boquilla de la toma de agua contra el sentido del reloj.



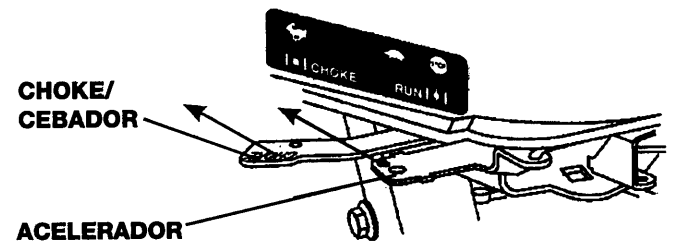
- Conectar la manguera de alta presión a la descarga de la bomba.
- Conectar la manguera de agua a la llave de suministro de agua y abrirla.



- Apretar el gatillo de la pistola aplicadora para descargar la presión de aire acumulada al haber abierto la llave del suministro de agua. La pistola disparará un pequeño chorro de agua. Esto facilitará el arranque del motor.
- Enganchar el seguro de la pistola aplicadora. Esto fijará el gatillo en posición y evitará que se aplique un chorro de alta presión en forma accidental.



- El motor tiene una palanquita para CHOKE/RUN (Cebado/Operación). Colocar la palanquita en la posición de "Choke" (Cebado).
- El motor tiene otra palanquita para control de aceleración, colocarla en la posición de la liebre. Siempre echar el motor a funcionar con la palanquita en la posición de la liebre (o de alta velocidad).



- Tomar la manija de la cuerda del arrancador y tirar de ella lentamente hasta sentir una resistencia, luego tirar de ella firmemente para que el motor arranque.

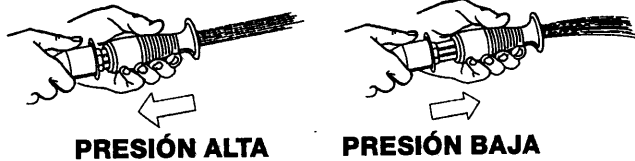
**NOTA:** Si el motor no arranca de inmediato, apretar el gatillo de la pistola para descargar la presión de aire acumulada al haber abierto la llave del suministro de agua. La pistola disparará un pequeño chorro de agua. Esto facilitará el arranque del motor al tirar de la cuerda. Si se necesita tirar de la cuerda del arrancador más de cinco veces, regresar la palanca de "CHOKE" (Cebado) a la posición RUN (Operación).

- Cuando el motor arranque, mover la palanquita del "CHOKE" (Cebado) gradualmente a la posición de "RUN" (Operación).
- Para volver a arrancar el motor cuando esté caliente, cerciorarse que la palanquita de aceleración esté en la posición de la liebre (alta velocidad) y que la palanquita del "CHOKE" (Cebado) esté en la posición de "RUN" (Operación).
- Agarrar el mango de la cuerda del arrancador y tirar de ella lentamente hasta sentir una resistencia, luego tirar de ella firmemente.

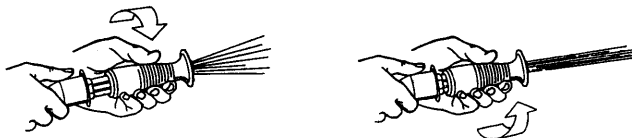
## Como usar la Lavadora de Presión

En el extremo de la pistola aplicadora hay una boquilla que se puede deslizar hacia adelante y hacia atrás y que también se puede girar a ambos lados. Con la boquilla regulable se puede controlar la presión del chorro para alta o baja presión. También se puede regular la forma del chorro para concentrarlo o abrirlo en forma de abanico.

- Deslizar la boquilla hacia adelante para la presión baja y hacia atrás para la presión alta.



- Para regular la forma del chorro, girar la boquilla en el sentido del reloj para abrir el chorro en forma de abanico y contra el sentido del reloj para concentrar el chorro.



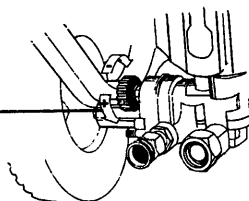
### CHORRO EN ABANICO CHORRO CONCENTRADO

- Para un lavado más efectivo, mantener la boquilla de rociado a una distancia de entre 20cm (8") y 60cm (24") de la superficie que se está lavando.

**IMPORTANTE:** Si se afloja la boquilla concentrando el chorro demasiado, especialmente en alta presión, se puede dañar la superficie que se está lavando.

- La perilla de control de la presión está ubicada en la bomba. Se puede aumentar la presión girando la perilla en el sentido del reloj o disminuirla girando la perilla contra el sentido del reloj.

PERILLA DE CONTROL DE PRESIÓN

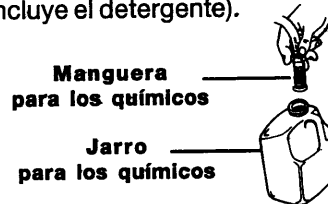


**NOTA:** La presión máxima de la unidad viene regulada de fábrica. No intentar modificar esta regulación hecha en fábrica.

## Uso de Detergentes y Químicos

**IMPORTANTE:** Usar detergentes y productos químicos que estén diseñados específicamente para usar en lavadoras a presión. Para aplicar detergente seguir estos pasos:

- Preparar el detergente o químico requerido para la tarea.
- Insertar el tubo succionador en el contenedor (no se incluye el detergente).

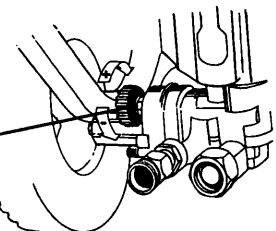


**NOTA:** El primer paso es la preparación de la solución adecuada de detergente o químico apropiado para que penetre en la suciedad y la suelte. **Aplicar el detergente o químico a baja presión** para evitar que salpique y se desperdicie. Dejar que la solución repose sobre la superficie unos 3 a 5 minutos para que actúe.

**NOTA:** El segundo paso consiste en usar la lavadora a presión para lavar la superficie que se ha preparado y luego enjuagarla.

- Deslizar la boquilla regulable hacia adelante a la modalidad de baja presión. No se puede aplicar detergente/químicos con la boquilla en la posición para presión alta.
- Revisar la posición de la boquilla regulable.
- Conectar una manguera de jardín a la entrada de agua (ver la sección "Arranque de la Lavadora a Presión" en la página 9), verificar que la manguera para alta presión esté conectada a la pistola aplicadora y a la bomba (ver la sección "Ensamblaje") y arrancar el motor.
- Aplicar el detergente/químico a la superficie seca comenzando de abajo y trabajando hacia arriba.
- Permitir que el detergente/químico repose de 3 a 5 minutos en la superficie antes de lavar y enjuagar.
- Para lavar, comenzar por la parte inferior de la superficie y avanzar hacia arriba aplicando en tramos largos traslapados y uniformes.
- La lavadora a presión está equipada con una perilla para regular la inyección del químico. Con la perilla totalmente abierta se obtendrá el máximo de succión de químico. Con la perilla totalmente cerrada **no** habrá succión de químico. Girar la perilla contra el sentido del reloj para lograr una mayor succión del detergente/químico y en el sentido del reloj para una menor succión.

PERILLA REGULADORA DEL INYECTOR DE DETERG/QUÍM.



- Se recomienda que después de usar la lavadora de presión se lave internamente la bomba, el inyector de químicos y la manguera de químicos con agua limpia.

Para ello simplemente sumergir la manguera de químicos en agua y sifonear agua por 1 a 2 minutos.

## MANTENIMIENTO

RESPONSABILIDADES DEL PROPIETARIO				
TAREA DE MANTENIMIENTO	Antes de Cada Uso	Cada 25 Horas o Cada Año	Cada 50 Horas o Cada Año	Cada 100 Horas o Cada Año
<b>LAVADORA A PRESIÓN</b>				
Inspeccionar/limpiar la malla de entrada.	X			
Inspeccionar la manguera para alta presión.	X			
Inspeccionar la manguera de succión de detergente/químico y filtro.	X			
Inspeccionar para detectar fugas por la pistola/tubo aplicador.	X			
Purgar el aire y los contaminantes de la bomba	X			
<b>MOTOR</b>				
Inspeccionar el nivel de aceite.	X			
Cambiar el aceite del motor.			X	
Limpiar el filtro de aire.		X		
Limpiar/reemplazar la bujía.				X

### Especificaciones del Equipo

#### Especificaciones de la Lavadora de Presión

Presión	2350
Índice de Flujo	2.2 GPM
Unidades de Limpieza (PSI x GPM)	5170

#### Especificaciones del Motor

RPM	3600
Potencia	6.0 HP
Luz de la Bujía	0.76mm (0.030")
Capacidad de Gasolina	1.3 Lt. (1.5 Qts)
Aceite (Capacidad 591 ml / 20 Onz.)	SAE 30

### Recomendaciones Generales

La garantía de la lavadora a alta presión no cubre las piezas que han sido sujetas a mal uso o negligencia por parte del operador. Para mantener la validez de la garantía, el operador deberá hacerle el mantenimiento a la lavadora de alta presión como se indica en este manual.

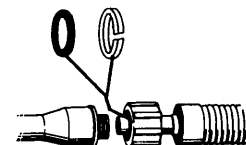
Algunas regulaciones periódicas serán necesarias para el mantenimiento de la lavadora a alta presión.

Todas las regulaciones en la Sección de Mantenimiento de este manual deberán llevarse a cabo por lo menos una vez por temporada.

Una vez al año se deberán limpiar o reemplazar la bujía y el filtro de aire y se deberán inspeccionar la pistola y el tubo aplicador para detectar puntos de desgaste. Una bujía y un filtro de aire limpios asegurarán una buena mezcla de aire y combustible y ayudarán a que el motor opere mejor y dure más.

La bomba de lavadora a presión es una bomba sellada y nunca debería necesitar relleno ni cambio del aceite.

**NOTA:** Con el transcurso del tiempo, los anillos "O" de la pistola rociadora se gastarán. Con la unidad se provee un juego de anillos "O" de repuesto que viene adherido al manual del operador.



## Mantenimiento de la Lavadora de Presión

**Inspeccionar y Cambiar la Malla de Entrada:** Examinar la malla en el acople de entrada de la bomba. Limpiar si estuviese atorada, reemplazar si estuviese rota.

**Inspeccionar la Manguera de Alta Presión:** La manguera de alta presión puede desarrollar fugas debido al desgaste, estrangulamiento o maltrato. Inspeccionar la manguera antes de cada uso para detectar cortes, fugas, abrasiones, protuberancias en el forro, daños o juego de los acoples. Si existiese alguna de estas condiciones, reemplazar la manguera de inmediato.

**Inspeccionar la Manguera de Suministro de Químico/Detergente y el Filtro:** Examinar la manguera de químico/detergente y limpiarla si estuviese obstruida. La manguera debe quedar bien ajustada en el acople de la bomba. Inspeccionar para detectar fugas o roturas. Reemplazar el filtro o la manguera si alguno de ellos estuviese dañado.

**Inspeccionar la Pistola/Tubo Aplicador:** Examinar las conexiones de la manguera a la pistola para cerciorarse que estén bien asegurados. Probar el gatillo presionándolo para asegurarse que regrese a su posición cuando se suelte.

## Purgar el Aire y los Contaminantes de la Bomba

*Seguir estos pasos para eliminar el aire de la bomba:*

- Preparar la lavadora de presión como se describe en la Sección de Ensamblaje y conectar el suministro de agua.
- Retirar la extensión del tubo aplicador de la pistola aplicadora.
- Tirar del gatillo en la pistola y mantenerlo presionado.

*Seguir estos pasos para eliminar los contaminantes de la bomba:*

- Preparar la lavadora de presión como se describe en la sección de **ENSAMBLAJE**, conectar el suministro de agua.
- Retirar la extensión del tubo aplicador de la pistola aplicadora.
- Arrancar el motor de acuerdo a las instrucciones en la sección de **OPERACIÓN**.
- Tirar del gatillo en la pistola y mantenerlo presionado.
- Soltar el gatillo y volver a instalar la extensión del tubo aplicador cuando el suministro de agua esté constante y parejo.

## Mantenimiento del Motor

### Revisar el Nivel del Aceite

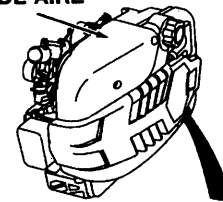
- El nivel del aceite deberá inspeccionarse antes de cada uso de la lavadora o por lo menos cada 5 horas de operación. Referirse a la sección "Aceite del Motor" en la página 9.

### Cambio de Aceite del Motor

- Cambiar el aceite cuando el motor todavía esté caliente. De preferencia, drenar el aceite por la parte superior del motor como se muestra más adelante. Drenar el aceite con el filtro de aire hacia arriba. El aceite puede drenarse por el lado inferior si fuese necesario.

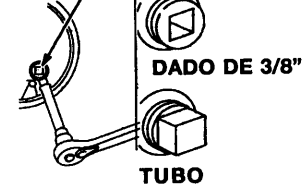
**IMPORTANTE:** Antes de inclinar el motor o el equipo para drenar el aceite, drenar el combustible del tanque operando el motor hasta que el tanque de combustible quede vacío.

FILTRO DE AIRE

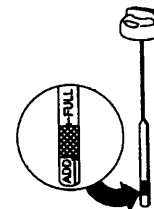


- Para drenar el aceite por la parte inferior del motor, retirar el tapón de drenaje como se ilustra a continuación. Dejar que el aceite se drene y volver a colocar el tapón del drenaje. Retirar la tapa con varilla medidora y rellenar con aceite nuevo del grado recomendado. Arrancar el motor y operarlo por 30 segundos.

TAPÓN DE LLENADO DE ACEITE



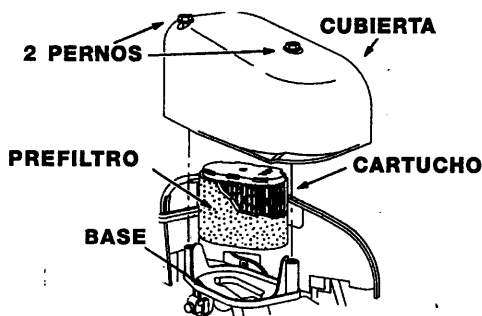
- Apagar el motor. Esperar 30 segundos y volver a inspeccionar el nivel de aceite. Si se requiere, agregar aceite hasta que el nivel alcance la marca **FULL (LLENO)** en la varilla.



## Mantenimiento del Filtro de Aire

El motor está equipado con un elemento doble ovalado.

- Para limpiar el elemento, aflojar los pernos y levantar la cubierta. Luego retirar el prefiltro y el cartucho cuidadosamente.
- Después de limpiar el prefiltro, colocarlo en el cartucho.
- Instalar el conjunto del filtro de aire en su base. Luego instalar la cubierta sobre el filtro de aire y empernarlo firmemente a la base.



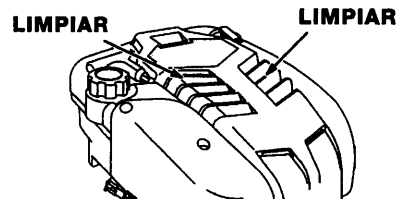
### Filtro de Aire de Doble Elemento

Para limpiar el prefiltro, lavarlo con detergente líquido y con agua. Dejar que se seque bien antes de usar. No aceitar el prefiltro. Reemplazarlo si estuviese muy sucio o dañado.

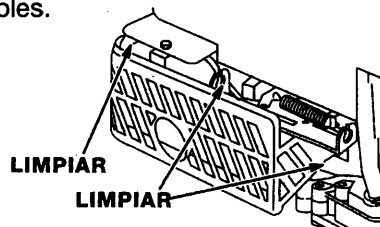
**NOTA:** No usar solventes derivados de petróleo, tales como kerosene, porque deteriorarán el cartucho del filtro. No usar aire presurizado para limpiar el filtro. El aire presurizado puede dañar el cartucho del filtro.

**¡Mantener limpias las piezas y el motor!**

- No limpiar el motor con un chorro de agua fuerte porque el agua podría contaminar el sistema de combustible. Después de cada uso, con una brocha o cepillo limpiar el protector con aberturas de ventilación para evitar que el motor se dañe por sobrecalentamiento.



- Antes de operar el motor, limpiar el área del mofle para eliminar el pasto y los residuos que puedan ser combustibles.



### Limpiar y Reemplazar la Bujía

Reemplazar la bujía cada 100 horas de operación o una vez cada año, lo que sea primero. Esto ayudará a que el motor arranque con facilidad y opere mejor.



## MANTENIMIENTO Y REGULACIONES

### Carburador

El carburador de la lavadora de alta presión está regulado de fábrica. El carburador no deberá alterarse. Si la lavadora de presión se usa a una altitud superior a 1,500 metros (5,000'), consultar con el Centro de Servicio de Sears más cercano para obtener las regulaciones necesarias para la altitud.

**▲ CUIDADO:** La velocidad del motor se fijó en la fábrica a un punto apropiado y no debe requerir regulaciones adicionales. No intentar alterar la velocidad del motor. En caso que se sospeche que el motor está operando muy lento o muy rápido, llevar la lavadora de presión a un Centro de Servicio Autorizado de Sears para que lo reparen o regulen.

**▲ ADVERTENCIA:** Las velocidades elevadas de operación son peligrosas y aumentan el riesgo de daños personales o al equipo.

**▲ CUIDADO:** Las bajas velocidades del motor imponen una carga pesada al motor, y cuando el motor no provee la potencia necesaria, la vida útil del motor podría acortarse.

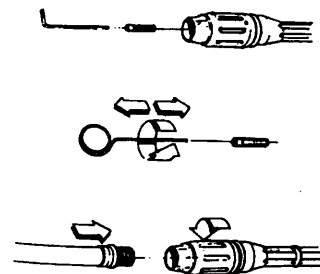
### Limpieza de la Boquilla

Si la boquilla se obstruyese con materiales extraños, tales como suciedad, la unidad podría desarrollar un exceso de presión. Si la boquilla se obstruyese parcialmente o se restringiese, la presión de la bomba pulsará. En estos casos limpiar inmediatamente la boquilla usando el juego limpiador suministrado con la unidad y siguiendo los pasos indicados a continuación:

### Tubo Aplicador Regulable

1. Apagar la lavadora a presión y cerrar el suministro de agua.
2. Desconectar el cable de la bujía.

3. Apretar el gatillo de la pistola aplicadora para aliviar toda la presión de agua acumulada.
4. Desconectar el tubo aplicador de la pistola.
5. Sacar la boquilla del extremo del tubo aplicador con la llave Allen de 2mm provista con la unidad.
6. Limpiar la boquilla usando el limpiador de boquillas que se provee o con un clip para papeles enderezado. Introducir en un extremo de la boquilla y moverlo hacia adelante hacia atrás hasta eliminar la obstrucción.
7. Eliminar los residuos pasando agua al reverso por el tubo durante unos 30 segundos.
8. Volver a instalar la boquilla en el tubo aplicador. Ajustar firmemente para evitar fugas.
9. Volver a instalar el tubo aplicador en la pistola y abrir el suministro de agua.
10. Arrancar la lavadora a presión y probar haciéndola funcionar en presión alta.



## ALMACENAMIENTO

Esta lavadora de presión debe almacenarse de tal forma que esté protegida de la congelación. No almacenar la unidad en el exterior ni en un área donde la temperatura caiga por debajo de 0°C (32°F). Esto puede causar daños extensos a la unidad.

Si la unidad tiene que almacenarse en lugares de temperaturas congelantes, se deberá usar un anticongelante no tóxico R.V. para protegerla de la congelación.

### Preparación de la unidad para su Almacenamiento

**NOTA:** Si no se tiene planeado usar la lavadora de presión por 30 días o más, debe prepararse la unidad para su almacenamiento.

#### Preparación del Motor

- Primero agregarle estabilizador de combustible al tanque de gasolina.
- Hacer funcionar la lavadora por 5 minutos completos para permitir que el estabilizador de combustible entre a todo el sistema de combustión.

**NOTA:** Mientras se lleve a cabo este procedimiento, cerciorarse que la bomba tenga su suministro de agua y que el agua salga de la unidad. **NUNCA** permitir que la unidad funcione sin que corra agua por la bomba.

- A continuación, apagar el motor y desconectar el suministro de agua.
- Desconectar el cable de la bujía y sacar la bujía.
- Echar una cucharadita de aceite en el orificio de la bujía.
- Taponar el orificio con un paño y tirar de la manija de la cuerda del arrancador varias veces para lubricar la cámara de combustión.
- Volver a colocar la bujía, pero no conectar el cable de la bujía.

**IMPORTANTE:** Durante el almacenaje, es importante evitar la formación de sedimentos pegajosos en el sistema de combustión tales como en el carburador, manguera del filtro de combustible o tanque. La experiencia también nos indica que las gasolinas mezcladas con alcohol (llamadas gasohol o que tienen etanol o metanol) pueden atraer humedad que luego se separará y formará ácidos durante el almacenaje de la unidad. La gasolina ácida puede dañar el motor mientras esté almacenado. Para evitarle problemas al motor, vaciar el sistema de combustión antes de almacenar la unidad por 30 días o más. Nunca echar productos limpiadores para el motor o el carburador en el tanque de combustible porque se pueden causar daños permanentes.

#### Preparación de la Bomba

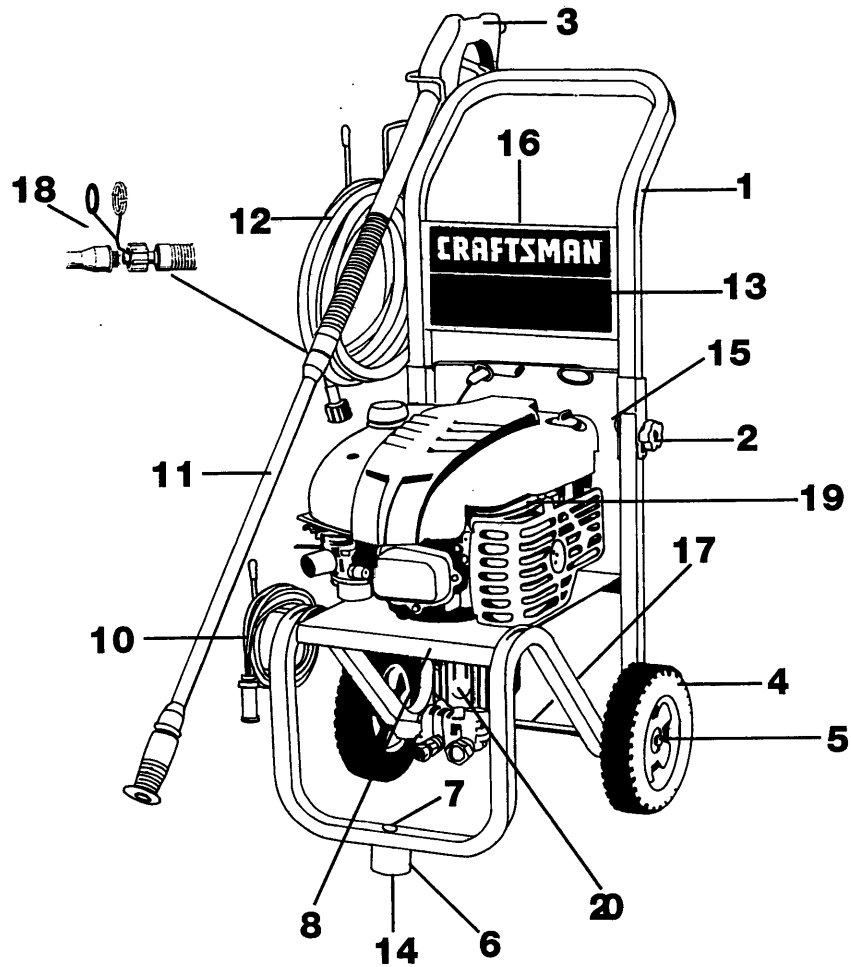
- Cerciorarse de poner el interruptor en la posición de "OFF" (apagado) y que el cable de la bujía esté desconectado.
- Apretar el gatillo de la pistola para aliviar la presión de la manguera de presión. Desconectar la manguera de alta presión y la manguera de jardín de la unidad.
- Tirar de la manija del arrancador 4 a 6 veces para descargar el agua remanente en la bomba.
- Inclinar la unidad con el orificio de entrada de agua apuntando hacia arriba.
- Si se va a guardar la unidad en un lugar donde la temperatura caiga bajo 0°C (32°F), echar aproximadamente 1/4 de taza de anticongelante no tóxico R.V. por el orificio donde se conecta la manguera de agua a la bomba.
- Poner la máquina al derecho y tirar de la manija del arrancador de 4 a 6 veces para hacer circular el anticongelante dentro de la bomba hasta que expulse un poco.

# GUÍA PARA DIAGNÓSTICO DE PROBLEMAS

<b>SÍNTOMA</b>	<b>CAUSA</b>	<b>SOLUCIÓN</b>
El motor no arranca	<ol style="list-style-type: none"> <li>1. La palanquita de aceleración del motor está en la posición "OFF" (APAGADO).</li> <li>2. La válvula de "Choke" (cebado) no está en la posición de "Choke".</li> <li>3. Acumulación de presión después del uso inicial.</li> </ol>	<ol style="list-style-type: none"> <li>1. Deslizar la palanquita de aceleración a la posición de la "Liebre".</li> <li>2. Deslizar la palanquita a la posición de "Choke".</li> <li>3. Presionar el gatillo de la pistola.</li> </ol>
No absorbe químico	<ol style="list-style-type: none"> <li>1. La boquilla de la pistola no está en la posición de absorber.</li> <li>2. La malla de succión de químicos está obstruida.</li> <li>3. La succión de químicos no está trabajando.</li> <li>4. El orificio del inyector de químicos está obstruido.</li> <li>5. Inyector de detergente/químicos cerrado.</li> </ol>	<ol style="list-style-type: none"> <li>1. Colocar la boquilla en la posición para baja presión.</li> <li>2. Inspeccionar la malla de químicos, limpiar si estuviese obstruida.</li> <li>3. Cerciorarse que el extremo del tubo de succión de químicos esté sumergido.</li> <li>4. Inspeccionar y limpiar.</li> <li>5. Abrir el inyector de químicos girando la perilla de regulación.</li> </ol>
La bomba funciona normalmente pero la presión no alcanza los niveles especificados.	<ol style="list-style-type: none"> <li>1. Suministro de agua restringido.</li> <li>2. Boquilla en la posición de baja presión.</li> <li>3. Boquilla incorrecta o gastada.</li> <li>4. La bomba absorbe aire.</li> <li>5. Boquilla obstruida.</li> </ol>	<ol style="list-style-type: none"> <li>1. Verificar el suministro de agua y la malla del filtro para detectar cualquier bloqueo. Inspeccionar las mangueras para detectar si hay bloqueos, estrangulaciones, fugas, etc.</li> <li>2. Halar el extremo de la boquilla hacia atrás a la posición de presión alta.</li> <li>3. Revisar y reemplazar.</li> <li>4. Cerciorarse que las mangueras y acoples no tengan fugas de aire.</li> <li>5. Limpiar la boquilla.</li> </ol>
Presión Fluctuante	<ol style="list-style-type: none"> <li>1. La bomba absorbe aire.</li> <li>2. La malla de la entrada de la manguera del jardín está obstruida.</li> <li>3. Sellos o empaques gastados.</li> <li>4. Suministro de agua inadecuado.</li> <li>5. Válvulas de entrada o descarga sucias o gastadas.</li> <li>6. Fugas en la manguera de descarga.</li> </ol>	<ol style="list-style-type: none"> <li>1. Verificar que las mangueras y acoples no tengan fugas de aire. Purgar el aire de la manguera de jardín.</li> <li>2. Limpiar. Inspeccionar el filtro con frecuencia.</li> <li>3. Inspeccionar y reemplazar.</li> <li>4. Inspeccionar la manguera para ver que no esté estrangulada o acodada</li> <li>5. Verificar que el flujo de suministro a la bomba sea el adecuado. Asegurarse que la temperatura no exceda (63°C/145°F).</li> <li>6. Limpiar las válvulas de entrada y descarga. Reemplazar si fuese necesario.</li> </ol>
La presión cae después de un periodo normal de uso	<ol style="list-style-type: none"> <li>1. Boquilla atorada, o parcialmente obstruida.</li> <li>2. Boquilla gastada.</li> <li>3. Válvulas de la bomba están gastadas, sucias o pegadas.</li> <li>4. Empaque del pistón de la bomba está gastado.</li> </ol>	<ol style="list-style-type: none"> <li>1. Usar el juego para limpieza de boquillas para eliminar la obstrucción. (Referirse a la sección Mantenimiento de Boquillas en el capítulo Servicio y Regulaciones)</li> <li>2. Limpiar o reemplazar.</li> <li>3. Revisar y reemplazar.</li> <li>4. Revisar y reemplazar.</li> </ol>
Bomba ruidosa	<ol style="list-style-type: none"> <li>1. Agua muy caliente.</li> <li>2. Bomba absorbe aire.</li> <li>3. Válvulas sucias o gastadas.</li> <li>4. Rodamientos gastados.</li> </ol>	<ol style="list-style-type: none"> <li>1. Reducir la temperatura por debajo de 63°C ó 145°F.</li> <li>2. Verificar que las mangueras y acoples no tengan fugas de aire.</li> <li>3. Revisar, limpiar o reemplazar.</li> <li>4. Revisar y reemplazar si fuese necesario.</li> </ol>
Presencia de Agua en el Aceite (Aceite lechoso)	<ol style="list-style-type: none"> <li>1. Alta humedad.</li> <li>2. Empaque del pistón y sellos de aceites gastados.</li> </ol>	<ol style="list-style-type: none"> <li>1. Cambiar el aceite.</li> <li>2. Revisar y reemplazar los sellos de aceite.</li> </ol>
Agua Goteando de la Bomba	<ol style="list-style-type: none"> <li>1. Válvula térmica de alivio funcionando normalmente</li> <li>2. Acoples flojos.</li> <li>3. Anillos "O" de la guía del pistón o retenes gastados.</li> <li>4. Empaque del pistón gastado.</li> </ol>	<ol style="list-style-type: none"> <li>1. Está protegiendo la bomba si la lavadora está funcionando por un tiempo largo pero sin usarse, Apagar el motor.</li> <li>2. Ajustar.</li> <li>3. Revisar y reemplazar.</li> <li>4. Revisar y reemplazar.</li> </ol>
Goteo de Aceite	<ol style="list-style-type: none"> <li>1. Sello de aceite gastado.</li> <li>2. Tapón de drenaje flojo o anillo "O" del tapón gastado.</li> </ol>	<ol style="list-style-type: none"> <li>1. Revisar y reemplazar.</li> <li>2. Ajustar el tapón de drenaje o reemplazar el anillo "O". No sobreajustar.</li> </ol>

# PARTES

CRAFTSMAN 2350 PSI MAQUINA LAVADORA DE ALTA PRESION 919.762350



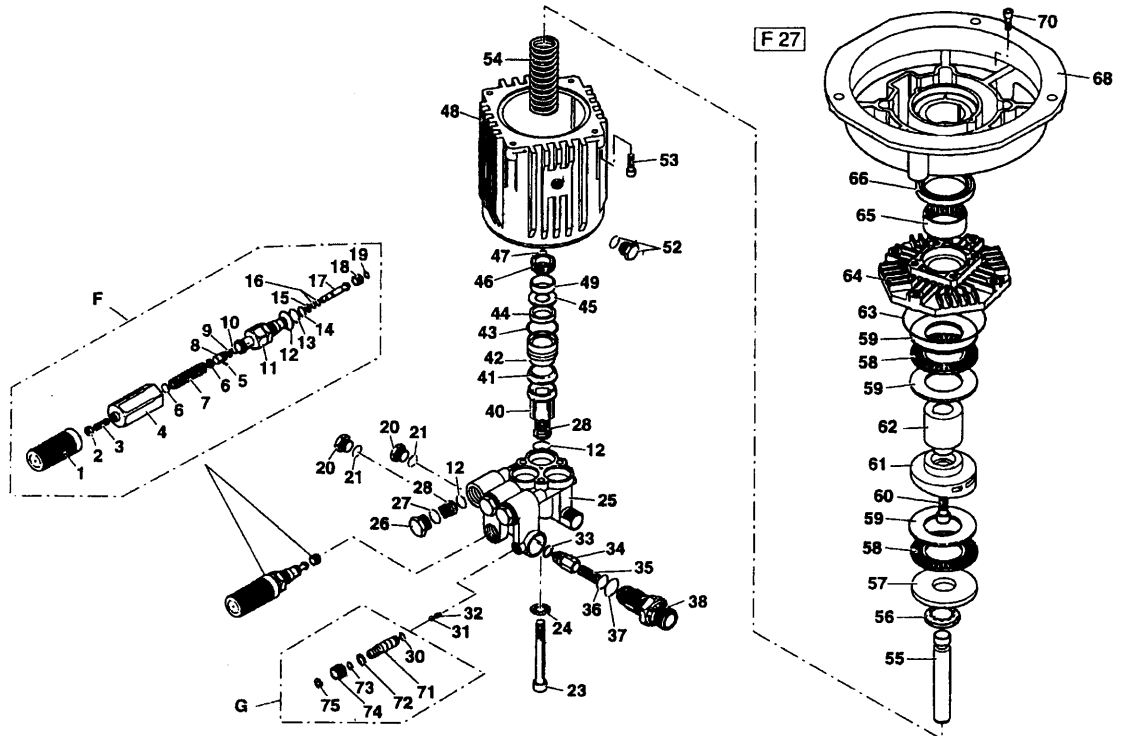
**PARA LISTE DE PARTES  
VEA LA PAGINA 16  
VERSION EN INGLES**



# PARTES

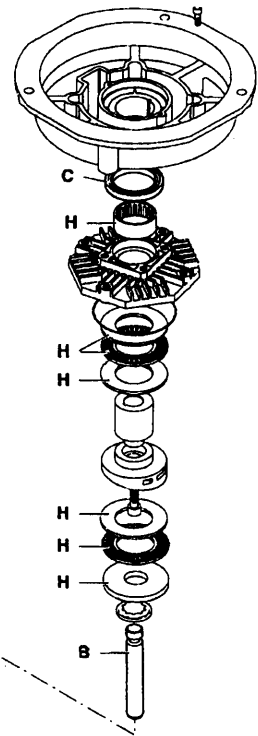
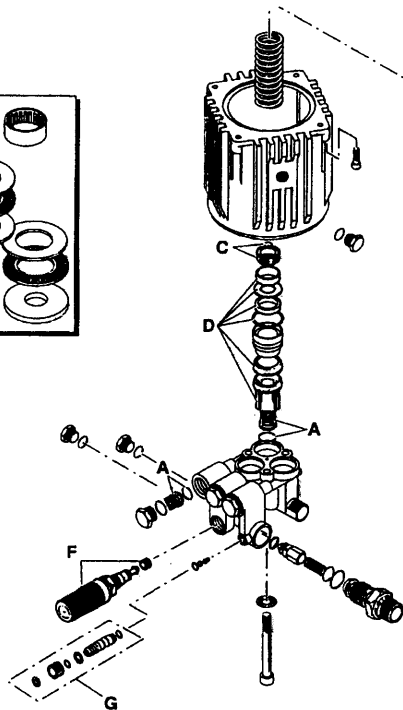
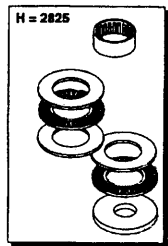
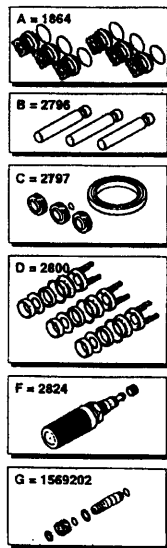
CRAFTSMAN 2350 PSI MAQUINA LAVADORA DE ALTA PRESION 919.762350

BOMBA PARTES # PK16482



F 27

F 27



# **PARTES**

**CRAFTSMAN 2350 PSI MAQUINA LAVADORA DE ALTA PRESION 919.762350**

**BOMBA PARTES # PK16482**

**PARA LISTE DE PARTES  
VEA LA PAGINA 18  
VERSION EN INGLES**

# **PARTES**

**CRAFTSMAN 2350 PSI MAQUINA LAVADORA DE ALTA PRESION 919.762350**

**MOTOR PARTES # 121602-0206-E1**

**PARA LISTE DE PARTES  
VEA LA PAGINA 19-27  
VERSION EN INGLES**

# NOTAS

# NOTAS

Para solicitar servicio de reparación o repuestos que usted necesite, llamar de 7 am a 7 pm, los 7 días de la semana al

**1-800-366-PART**

(1-800-366-7278)



Para servicio de reparación en su domicilio de electrodomésticos de las principales marcas, llamar las 24 horas del día, los 7 días de la semana al

**1-800-4-REPAIR**

(1-800-473-7247)



Para la ubicación del Centro de Repuestos y Reparación de Sears en su área, llamar las 24 horas del día, los 7 días de la semana al

**1-800-488-1222**



Para información sobre la compra de un Contrato de Mantenimiento de Sears o para averiguar sobre algún Contrato existente, llamar de 9 am a 5 pm, de Lunes a Sábado al

**1-800-827-6655**



**SEARS**

REPAIR SERVICES

America's Repair Specialists