

Owner's Manual



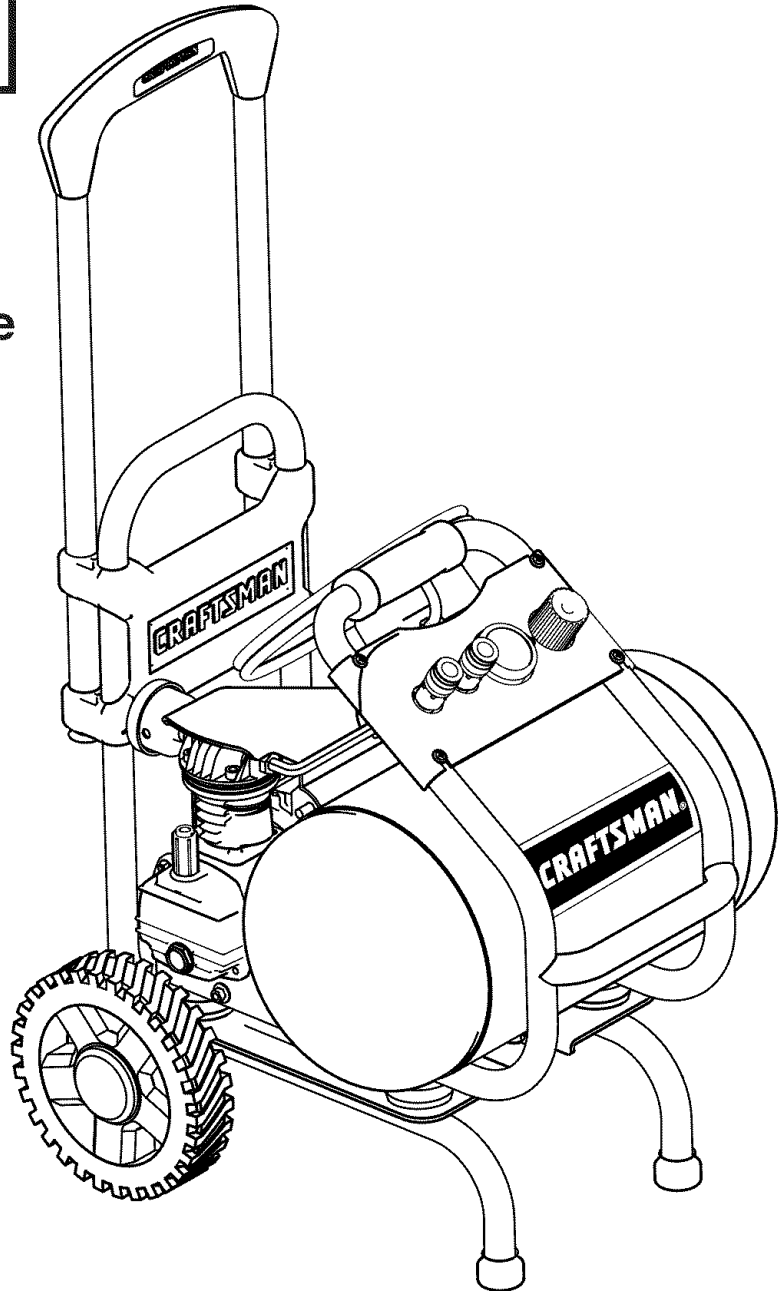
AIR COMPRESSOR

5-gallon

1HP

Oil-Lubricated, Direct Drive

Model No. 921.166360



 **WARNING**
FILL WITH OIL BEFORE USE.

WARNING: This product contains one or more chemicals known to the State of California to cause cancer and birth defects or other reproductive harm.
Wash hands after handling.

CAUTION:

Before using this product, read this manual and follow all its Safety Rules and Operating Instructions.

- Safety Instructions
- Installation & Assembly
- Operating Procedures
- Maintenance & Storage
- Troubleshooting Guide
- Parts List
- Español, p. 13

Sears, Roebuck and Co., Hoffman Estates, IL 60179 U.S.A.
www.sears.com

Table of Contents

	Page
Warranty	See Below
Safety Symbols	1
Important Safety Instructions & Guidelines	1
Specifications	2
Glossary	2
Duty Cycle	2
Parts & Features	3
Installation & Assembly	4
Operating Procedures	5
Detaching Unit from Dolly	6
Maintenance	6
Storage	6
Troubleshooting Guide	7
Exploded View	8-9
Parts List	10-11
Español	13

ONE YEAR FULL WARRANTY

If this Craftsman product fails due to a defect in material or workmanship within one year from the date of purchase, return it to any Sears store, Sears Service Center, or other Craftsman outlet for free repair (or replacement if repair proves impossible).

This warranty applies for only 90 days from the date of purchase if this product is ever used for commercial or rental purposes.

This warranty gives you specific legal rights, and you may also have other rights which vary from state to state.

Safety Symbols

The information listed below should be read and understood by the operator. This information is given to protect the user while operating and storing the air compressor. We utilize the symbols below to allow the reader to recognize important information about their safety.

<p align="center">⚠ DANGER</p> <p>Indicates an imminently hazardous situation which, if not avoided, will result in death or serious injury.</p>	<p align="center">⚠ CAUTION</p> <p>Indicates a potentially hazardous situation which, if not avoided, may result in minor or moderate injury.</p>
<p align="center">⚠ WARNING</p> <p>Indicates a potentially hazardous situation which, if not avoided, could result in death or serious injury</p>	<p align="center">CAUTION</p> <p>When used without the safety alert symbol indicates a potentially hazardous situation which, if not avoided, may result in property damage.</p>

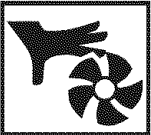


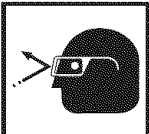
Important Safety Instructions and Guidelines





- Save all instructions

⚠ WARNING

Improper operation or maintenance of this product could result in serious injury and/or property damage. Read and understand all of the warnings and safety instructions provided before using this equipment.

WARNING: This product contains one or more chemicals known to the State of California to cause cancer and birth defects or other reproductive harm.
Wash hands after handling.

<p align="center">CAUTION</p>	<p>The air compressor should be operated on a dedicated 15 amp circuit. If the circuit does not have 15 free amps available, a larger circuit must be used. Always use more air hose before utilizing extension cords. All extension cords used must be 12 gauge with a maximum length of 25 ft. The circuit fuse type must be a time delay. Low voltage could cause damage to the motor.</p>
<p>Risk of Moving Parts</p> 	<p>If the air compressor is in operation, all guards and covers should be attached or installed correctly. If any guard or cover has been damaged, do not operate the equipment until the proper personnel has correctly repaired the equipment. The power cord should be free of any moving parts, twisting and/or crimping while in use and while in storage.</p>
<p>Risk of Burns</p> 	<p>There are surfaces on your air compressor that while in operation and thereafter can cause serious burns if touched. The equipment should be allowed time to cool before any maintenance is attempted. Items such as the compressor pump and the outlet tube are normally hot during and after operation.</p>
<p>Risk of Falling</p> 	<p>Operation of the air compressor should always be in a position that is stable. Never use the air compressor on a rooftop or elevated position that could allow the unit to fall or be tipped over. Use additional air hose for elevated jobs.</p>
<p>Risk from Flying Objects</p> 	<p>Always wear ANSI Z87.1 approved safety glasses with side shields when the air compressor is in use. Turn off the air compressor and drain the air tank before performing any type of maintenance or disassembly of the hoses or fittings. Never point any nozzle or sprayer toward any part of the body or at other people or animals.</p>

<p>Risk of Breathing</p> 	<p>Avoid using the air compressor in confined areas. Always have adequate space (12 inches) on all sides of the air compressor. Also keep children, pets, and others out of the area of operation. This air compressor does not provide breathable air for anyone or any auxiliary breathing device. Spraying material will always need to be in another area away from the air compressor to not allow intake air to damage the air compressor filter.</p>
<p>Risk of Electrical Shock</p> 	<p>Never utilize the air compressor in the rain or wet conditions. Any electrical issues or repairs should be performed by authorized personnel such as an electrician and should comply with all national and local electrical codes. The air compressor should also have the proper three prong grounding plug, correct voltage, and adequate fuse protection.</p>
<p>Risk of Explosion or Fire</p> 	<p>Never operate the compressor near combustible materials, gasoline or solvent vapors. If spraying flammable materials, locate the air compressor at least 20 feet away from the spray area. Never operate the air compressor indoors or in a confined area.</p>
<p>Risk of Bursting</p> 	<p>Always drain the air compressor tank daily or after each use. If the tank develops a leak, then replace the air compressor. Never use the air compressor after a leak has been found or try to make any modifications to the tank. Never modify the air compressor's factory settings which control the tank pressure or any other function.</p>

Specifications

Pump	Oil-lube direct drive	Air Tank Capacity	5 Gallons
Motor	1.0 HP (Induction)	Cut-in Pressure95 PSI
Bore	1.65"	Cut-out Pressure	125 PSI
Stroke	1.26"	SCFM @ 90 PSI24
Voltage Single Phase	120 VAC	Oil Capacity	90 mL or 3 oz.
Minimum Circuit Requirement	15 Amps	Oil Type	SAE 30 Non-detergent

Glossary

SCFM: Standard cubic feet per minute; a unit of measure for air delivery.

PSIG: Pounds per square inch gauge; a unit of measure for pressure.

ASME: American Society of Mechanical Engineers.

California Code: Unit may comply with California Code 462 (I) (2)/ (M) (2).

Cut-In Pressure: The air compressor will automatically start to refill the tank when the pressure drops below the prescribed minimum.

Cut-Out Pressure: The point at which the motor stops when the tank has reached maximum air pressure.

Code Certification: Products that bear one or more of the following marks: UL, ULc, ETL, CSA, have been evaluated by OSHA-certified independent safety laboratories and meet the applicable Underwriters Laboratories Standards for Safety.

Duty Cycle

This is a 50% duty cycle air compressor. Do not run the air compressor more than 30 minutes of one hour. Doing so could damage the air compressor.

Parts & Features

See figures below for reference.

Check Valve

When the pump is not in operation the valve closes to retain air pressure inside the tank. An internal component.

Quick Connect

Offers a quick release feature for attaching and removing the air hose.

Regulator Gauge

Indicates the outgoing air pressure to the tool and is controlled by the regulator.

Regulator

The air pressure coming from the air tank is controlled by the regulator. To increase the pressure turn the knob clockwise and to decrease the pressure turn the knob counterclockwise.

Tank Safety Valve

Used to allow excess tank pressure to escape into the atmosphere. This valve should only open when the tank pressure is above the maximum rated pressure.

Pressure Switch

On/Auto/Off Lever: Turn this lever to On/Auto to provide power to the pressure switch. Turn lever to Off when compressor is no longer in use.

Pressure Switch: The pressure switch automatically starts the motor when the air tank pressure drops below the factory set cut-in pressure. It stops the motor when the air tank pressure reaches the factory set cut-out pressure.

Pressure Relief Valve

The pressure relief valve located on the side of the pressure switch, is designed to automatically release compressed air when the air compressor reaches cut-out pressure. The released air should only escape momentarily and the valve should then close.

Pressure Relief Tube

Air Intake Filter

Provides clean air to the pump and must always be kept free of debris. Check on a daily basis or before each use.

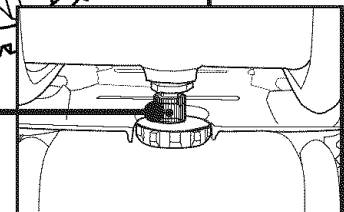
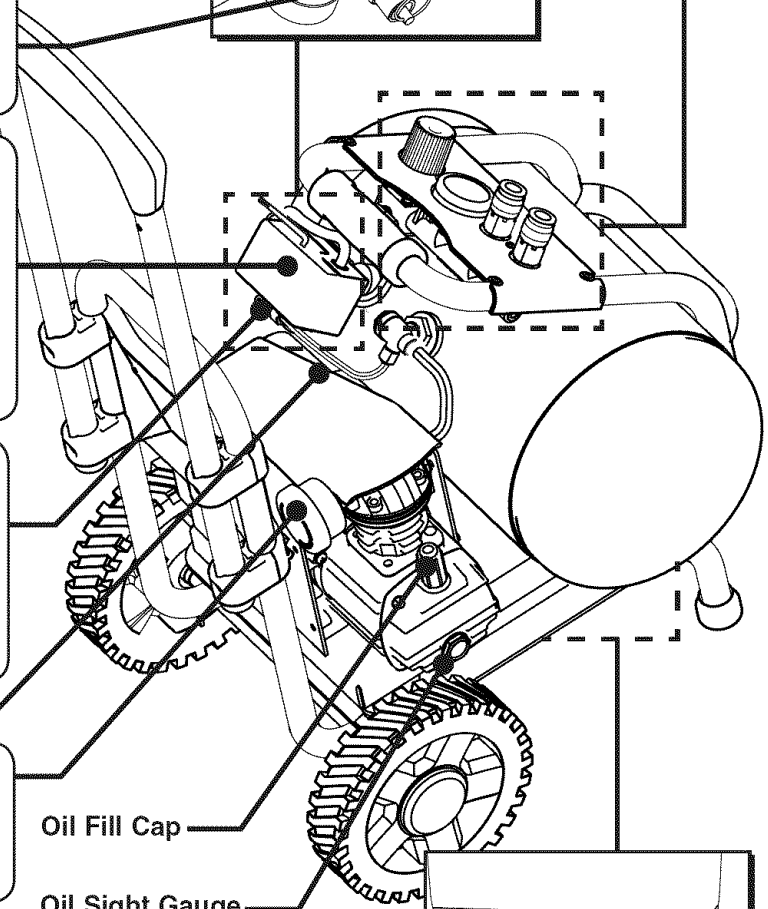
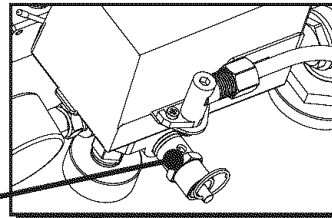
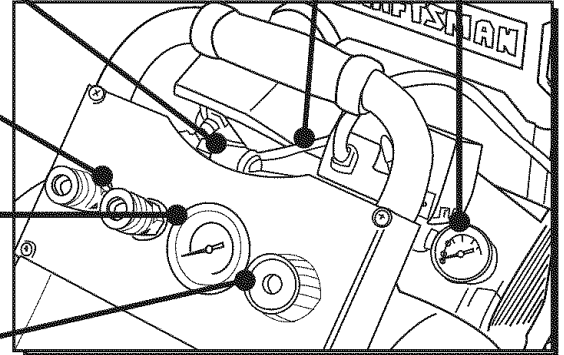
Tank Drain Valve

Used to drain condensation from the air tank. Located at bottom of tank.

Tank Pressure Gauge

Indicates the reserve air pressure in the tank.

Outlet Tube



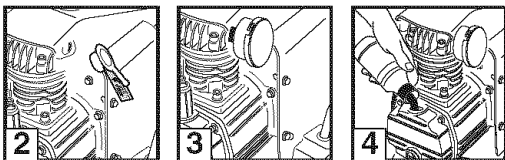
Installation & Assembly

⚠ WARNING

The air compressor should be turned off, unplugged from the power source, the air bled from the tank and the unit allowed time to cool before any maintenance is performed. Personal injuries could occur from moving parts, electrical sources, compressed air or hot surfaces. The quick connect assembly must be attached before use. Failure to assemble correctly could result in leaks and possible injury. If unsure of assembly instructions or you experience difficulty in the assembly please contact your local authorized Sears or another qualified service dealer.

Assembly

1. Remove air compressor, oil bottle, intake filter, manual and accessories from the styrofoam.
2. Remove the plastic plug from the compressor intake port. (see diagram below)
3. Install the filter in the compressor intake port. (see diagram below)
4. Remove the oil fill cap from the crankcase and fill until the oil reaches the top of the red dot in the sight glass. Oil capacity is 3 oz. (see below) Use SAE-30 non-detergent (API CG/CD heavy duty motor oil). Under extreme cold weather conditions, 32° F (0°C) or below, use SAE-10 weight oil.
5. Replace the oil cap.
6. Check to ensure that unit is mounted securely to the dolly before transporting. (see page 6)



Estimated Assembly Time: Approximately 5 minutes

Getting Started - Location of the Air Compressor

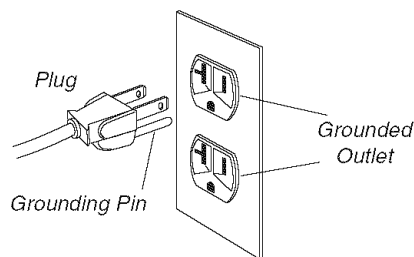
The air compressor should always be located in a clean, dry and well ventilated environment. The unit should have at minimum, 12 inches of space on each side. The air filter intake should be free of any debris or obstructions. Check the air filter on a daily basis to make sure it is clean and in working order.

Grounding Instructions

This product should be grounded. In the event of an electrical short circuit, grounding reduces the risk of electric shock by providing an escape wire for the electric current.

This product is equipped with a cord having a grounding wire with an appropriate grounding plug. (See the figure at top right corner.) The plug must be plugged into an outlet that is properly installed and grounded in accordance with

all local codes and ordinances. Check with a qualified electrician or service personnel if these instructions are not completely understood or if in doubt as to whether the tool is properly grounded.



⚠ WARNING

Improper installation of the grounding plug will result in a risk of electric shock. If repair or replacement of the cord or plug is necessary, do not connect the grounding wire to either flat blade terminal. The wire with insulation having an outer surface that is green with or without yellow stripes is the grounding wire. Check with a qualified electrician or serviceman if the grounding instructions are not completely understood, or if in doubt as to whether the product is properly grounded. Do not modify the plug provided. If it will not fit the outlet, have the proper outlet installed by a qualified electrician.

This product is for use on a circuit having a nominal rating of 120 volts and is factory-equipped with a specific electric cord and plug to permit connection to a proper electric circuit. Make sure the product is connected to an outlet having the same configuration as the plug. An adapter should not be used with this product. If the product must be reconnected for use on a different type of electric circuit, qualified service personnel should make the reconnection.

Extension Cords

Use only a 3-wire extension cord that has a 3-blade grounding plug and a 3-slot receptacle that will accept the plug on the product. Make sure your extension cord is in good condition. When using an extension cord, be sure to use one heavy enough to carry the current your product will draw. Cords must not exceed 25 feet and No. 12 AWG size must be used. An undersized cord will cause a drop in line voltage resulting in loss of power and overheating.

Break In Procedures

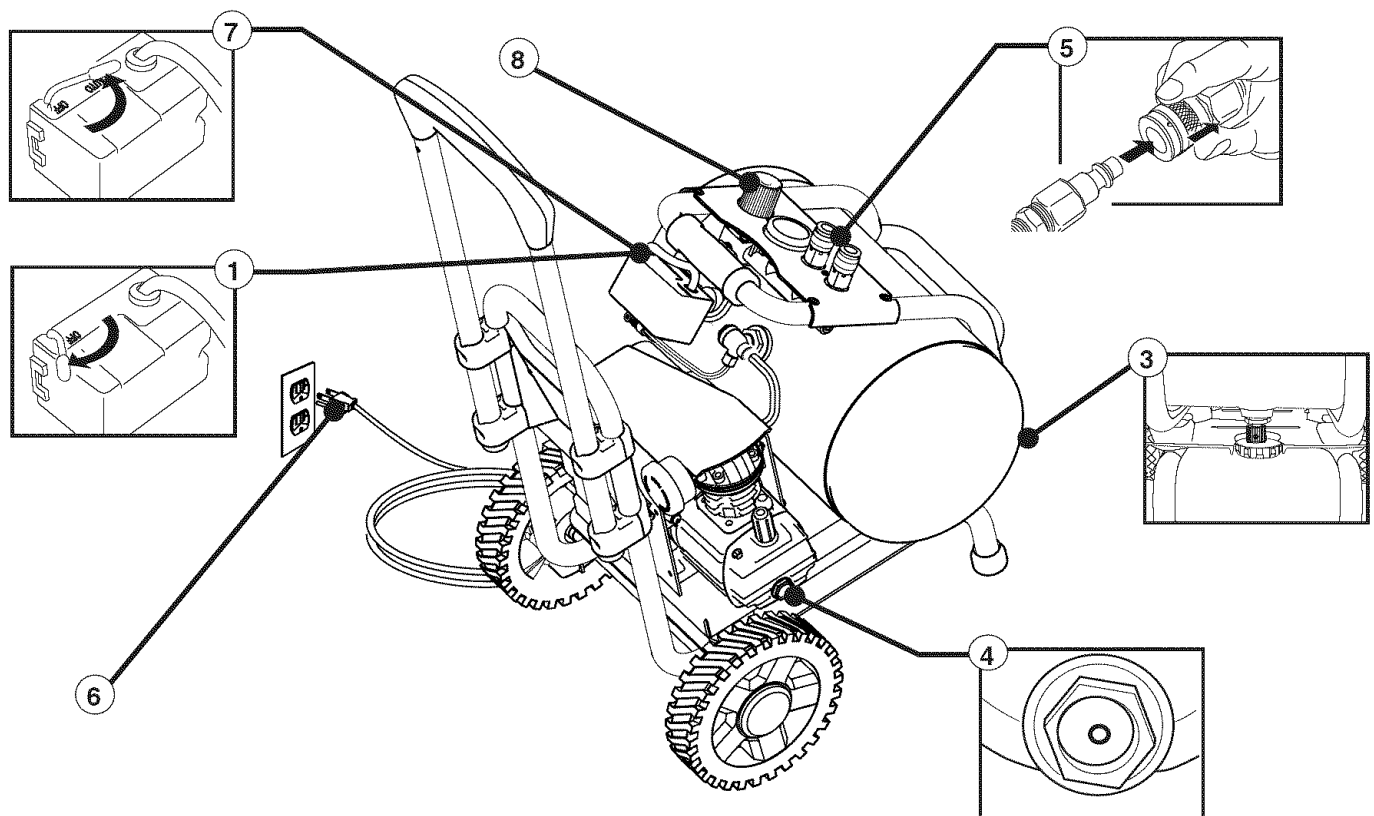
No break in procedure is required by the user.

This product is factory tested to ensure proper operation and performance.

Operating Procedures

Daily Start-Up Procedures

1. Set the Auto-On/Off lever to the Off position.
2. Inspect the air compressor, air hose, and any accessories/tools being used for damage or obstruction. If any of these mentioned items are in need of repair/replacement, contact your local authorized Sears or another qualified service dealer.
3. Close the drain valve.
4. Check the oil level of the pump.
5. Connect the air hose to the quick connect socket on the regulator assembly by inserting the quick connect plug on the air hose into the quick connect socket. The quick connect socket collar will snap forward and lock the plug into place providing an air tight seal between the socket and plug. To release the air hose push the collar back on the quick connect socket.
6. Plug the power cord into the proper receptacle.
7. Turn the Auto-On/Off lever to the On-Auto position and the compressor will start and build air pressure in the tank to cut-out pressure and then shut off automatically.
8. Adjust the regulator to a PSI setting that is needed for your application and be sure it is within the safety standards required to perform the task. If using a pneumatic tool, the manufacturer should have recommendations in the manual for that particular tool on operating PSI settings.
9. The air compressor is now ready for use. The following inflation and cleaning accessories packaged with this unit should only be operated at maximum pressure of 90PSI: blow gun, rubber-tapered nozzle, inflation needles, adapter, and blow gun adapter.



Daily Shut-Down Procedures

1. Set the Auto-On/Off lever to the Off position.
2. Unplug the power cord from the receptacle.
3. Set the outlet pressure to zero on the regulator.
4. Remove any air tools or accessories. Always use approved ear and eye protection.
5. Open the drain valve allowing air to bleed from the tank. After all of the air has bled from the tank, close the drain valve to prevent debris buildup in the valve.

⚠ CAUTION

When draining the tank, always use ear and eye protection. Drain the tank in a suitable location; condensation will be present in most cases of draining.

⚠ WARNING

Water that remains in the tank during storage will corrode and weaken the air tank which could cause the tank to rupture. To avoid serious injury, be sure to drain the tank after each use or daily.

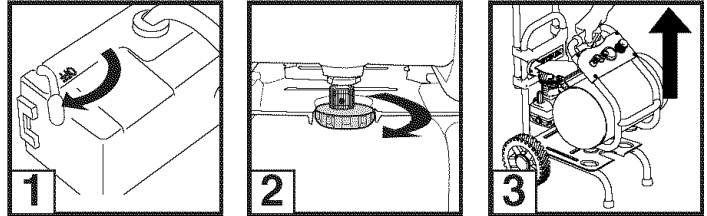
Detaching unit from dolly

⚠ WARNING

Do not use the dolly for any other means other than transporting this air compressor.
Do not move air compressor/dolly combo without tightening the knob that safely secures the compressor to the dolly.

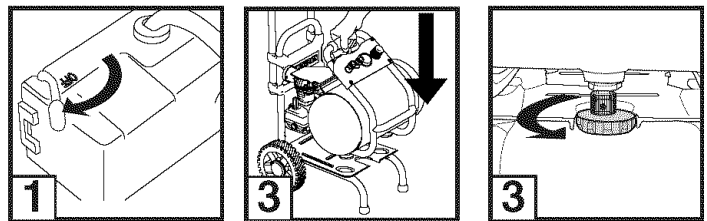
Removing the air compressor from the dolly:

1. Turn off the compressor and unplug it from the power source.
2. Turn the knob on the bottom of the dolly counter-clockwise, (as viewed from the bottom), until the knob releases from the air compressor. (This should be 1-2 revolutions)
3. While holding the dolly cart handle with one hand, lift up on the air compressor handle to remove the compressor.



Attaching the air compressor to the dolly:

1. Turn off the compressor and unplug it from the power source.
2. Align the compressor's rubber isolators with the depressions in the dolly frame.
3. Insert knob bolt into the air compressor and rotate clock-wise, (as viewed from the bottom), until tight. (If the compressor is not properly aligned onto the frame the knob will not tighten. Reposition compressor and try again.)



Maintenance

NOTE: Any service procedure not covered in the maintenance schedule should be performed by qualified service personnel. Contact your local authorized Sears or another qualified service dealer.

⚠ WARNING

The air compressor should be turned off, unplugged from the power source, air bled from the tank and allowed time to cool before any maintenance is performed.

⚠ CAUTION

To ensure efficient operation and longer life of the air compressor unit, a routine maintenance schedule should be followed. The following schedule is geared toward a consumer whose compressor is used in a normal working environment on a daily basis.

Maintenance Schedule

Items to Check/Change	Before each use or daily
Check Tank Safety Valve	X
Overall Unit Visual Check	X
Check Air Filter	X
Drain Tank	X
Check Power Cord for Damage	X
Change Oil	after first 50 hours
	after every 100 hours
Check Oil Level	X

Storage

For storing the air compressor, be sure to do the following:

1. Turn the unit off and unplug the power cord from the receptacle.
2. Remove all air hoses, accessories, and air tools from the air compressor.
3. Perform the daily maintenance schedule.
4. Open the drain valve to bleed all air from the tank.
5. Close the drain valve.
6. Store the air compressor in a clean and dry location.

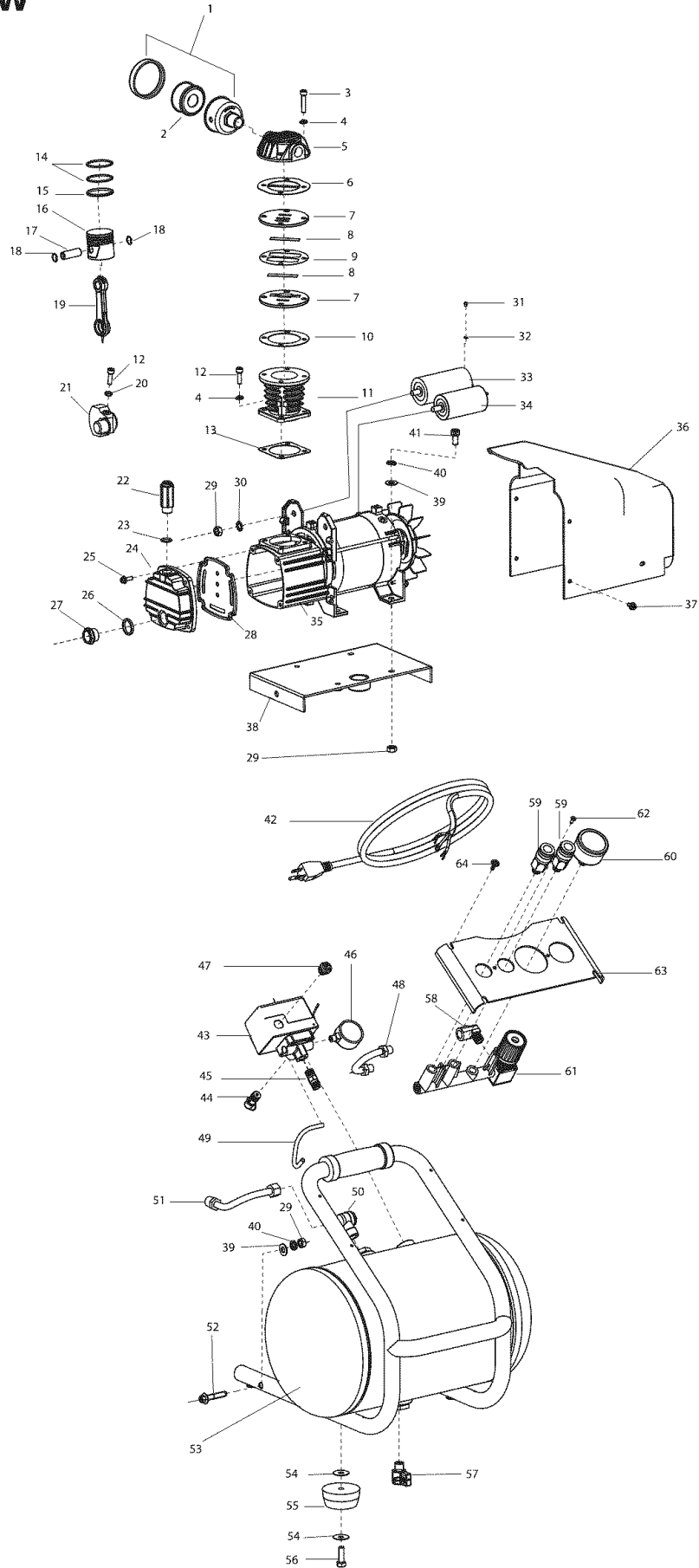
Troubleshooting Guide

⚠ WARNING The air compressor should be turned off and unplugged from the power source before any maintenance is performed as well as the air bled from the tank and the unit allowed time to cool. Personal injuries could occur from moving parts, electrical sources, compressed air, or hot surfaces.

PROBLEM	POSSIBLE CORRECTION
Air leaks at the check valve or at the pressure relief valve.	A defective check valve results in a constant air leak at the pressure relief valve when there is pressure in the tank and the compressor is shut off. Drain the tank, then remove and clean or replace the check valve.
Air leaks between head and cylinder.	Be sure of proper torque on head bolts. If leak remains, contact a service technician.
Air leak from safety valve.	Operate the safety valve manually by pulling on the ring. If the valve continues to leak when in the closed position, it should be replaced.
Pressure reading on the regulated pressure gauge drops when an accessory is used.	<p>If there is an excessive amount of pressure drop when the accessory is used, replace the regulator.</p> <p>NOTE Adjust the regulated pressure under flow conditions (while accessory is being used). It is normal for the gauge to show minimal pressure loss during initial use of the tool.</p>
Excessive tank pressure.	Move the Auto-On/Off lever to the Off position. If the unit doesn't shut off, unplug it from the power source and contact a service technician.
Motor will not start.	Make sure power cord is plugged in and the switch is on. Inspect for the proper size fuse in your circuit box. If the fuse was tripped, reset it and restart the unit. If repeated tripping occurs, replace the check valve or contact a service technician.
Excessive moisture in the discharge air.	<p>Remove the water in the tank by draining after each use. High humidity environments will cause excessive condensation. Utilize water filters on your air line.</p> <p>NOTE Water condensation is not caused by compressor malfunction. Be sure the compressor's air output is greater than your tool's air consumption rate.</p>
Air leaks from the tank body or tank welds.	Never drill into, weld or otherwise modify the air tank or it will weaken. The tank can rupture or explode. Compressor cannot be repaired. Discontinue use of the air compressor.

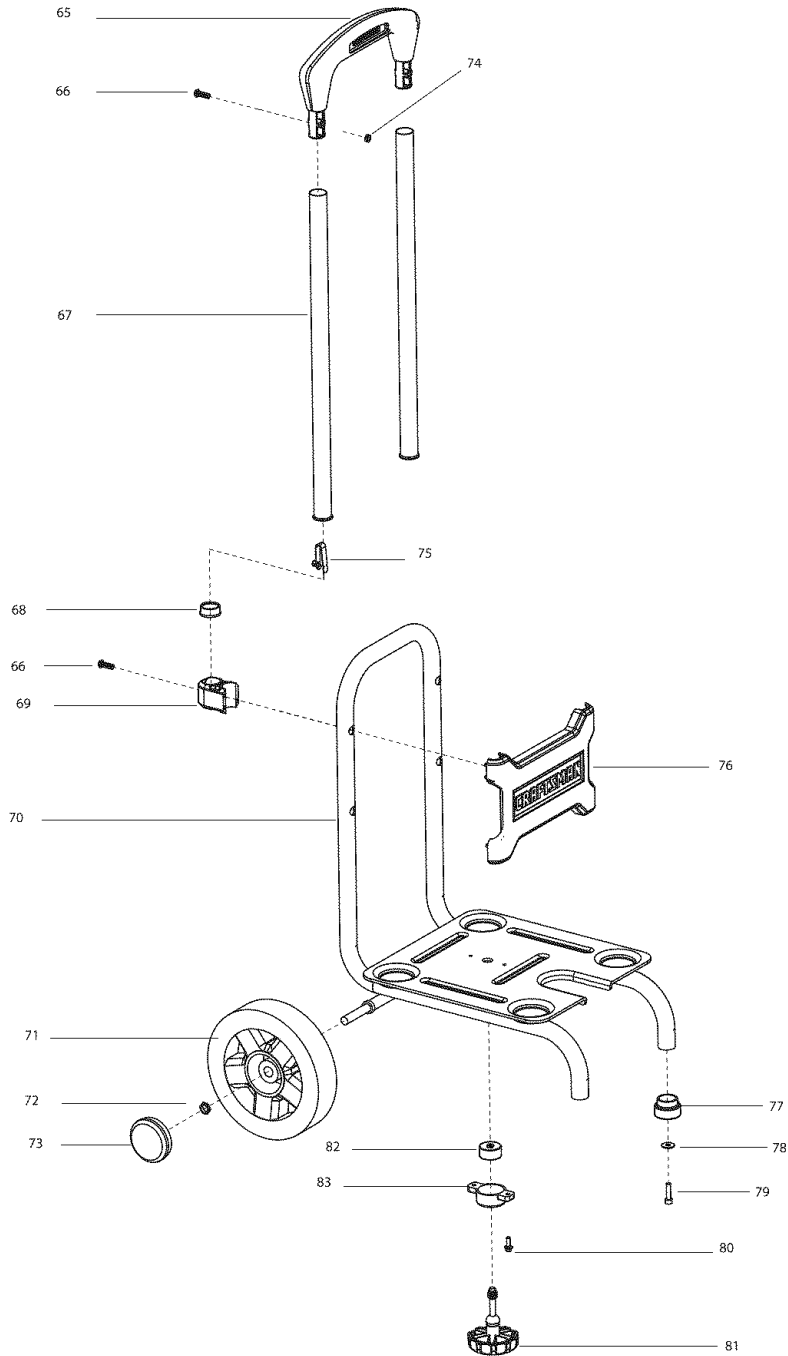
Air Compressor Model 921.166360

Exploded View



Air Compressor Model 921.166360

Exploded View



Air Compressor Model 921.166360

Parts List

Reference Number	Kit Number	Part Number	Description	Quantity	Reference Number	Kit Number	Part Number	Description	Quantity
1	1		Intake, Filter Housing/Cover, 1/2 NPT (Kunsan)	1	26	5		Seal, Oil Sight Gauge	1
2	1	E100435	Filter Element (Kunsan)	1	27	5		Gauge, Oil Sight	1
3			Head Bolt M6 x 1.0 x 30	4	28	2		Baffle, Rubber	1
4			Lock Washer 6 mm	8	29	6		Nut, M8 x 1.25	10
5		E100227	Cylinder Head	1	30			Washer, Tooth Lock, 5/16"	2
6	2		Gasket Head	1	31			Screw M3 x 0.5 x 6 mm	4
7		E100228	Valve Plate	2	32			Washer, Lock, 3 mm	4
8		E100229	Valve Reed	2	33		E100248	Capacitor, Starting (200µF)	1
9	2		Gasket Valve Plate	1	34		E100247	Capacitor, Running (40µF)	1
10			Gasket Cylinder Upper	1	35			Motor	1
11			Cylinder, ID42 mm x H65 mm	1	36		E100955	Shroud	1
12			Screw, Socket Head, M6 x 1.0 x 20 mm	5	37			Bolt M5 x 5.8 x 10	6
13	2		Gasket, Cylinder Lower	1	38			Motor Braket	1
14	3		Ring, Compression	2	39			Flatwasher 8 mm	6
15	3		Ring, Scraper	1	40			Lock Washer 8 mm	6
16	3		Piston	1	41			Bolt, M8 x 1.25 x 26 mm	4
17	3		Piston Pin	1	42		E100101	Power Cord	1
18	3		Snap Ring, 12 mm	2	43		E100957	Pressure Switch	1
19	3		Rod, Connecting	1	44		E100094	Safety Valve	1
20	3		Nut, M6 x 1.0	1	45		E100309	Nipple 1/4" NPT x 32 mm	1
21	3		Eccentric	1	46		E102370	Pressure Gauge 1.5" 200 PSI	1
22	4		Oil fill cap	1	47		E100594	Strain Relief	2
23	4		O ring, OD17 mm x 2 mm	1	48		E101968	Manifold Tube Male/Male (Rubber)	1
24			Cover, Crankcase	1	49		E102394	Pressure Tube Assy (Copper)	1
25			Screw, Hex Flange Head, M5 x 0.8 x 15 mm	4	50		E100898	Check Valve	1

Notes

Air Compressor Model 921.166360

Parts List

Reference Number	Kit Number	Part Number	Description	Quantity	Reference Number	Kit Number	Part Number	Description	Quantity																																
51		E102197	Outlet Tube Male/Female (SS Flex)	1	75		E102362	Lock Pin Clip	2																																
52			Bolt M8 x 1.2 x 40 mm	2	76			Craftsman Plate	1																																
53			Frame And Tank	1	77		E101377	Rubber Isolator	2																																
54	6		Flat Washer M8 x 25 mm	4	78			Flat Washer	2																																
55	6		Rubber Isolator	4	79			Screw M5 x 0.8 x 15	2																																
56	6		Bolt M8 x 1.25 mm x 16 mm	4	80			Screw M6 x 1 x 20	2																																
57		E101717	Drain Valve	1	81		E101360	Unit Retaining Knob	1																																
58			1/4 NPT Elbow Male/Female	1	82		E100914	Lock Ring	1																																
59		E100307	Quick Connect Coupler	2	83		E101367	Lock Ring Cup	1																																
60		E100311	Pressure Gauge 2" 200 PSI	1	<p>Note: Any part/kit number field without a number is not available. Descriptions are provided for reference only. The Kit # column represents that the part being offered is available in a kit. One of each part per kit will be offered.</p> <hr/> <p>Kit number and parts that are included are as follows:</p> <table border="1"> <thead> <tr> <th>Kit No.</th> <th>Part No.</th> <th>Description</th> <th>Reference No.</th> </tr> </thead> <tbody> <tr> <td>1</td> <td>E101179</td> <td>Filter Kit</td> <td>1, 2</td> </tr> <tr> <td>2</td> <td>E100959</td> <td>Gasket Kit</td> <td>6, 9-10, 13, 28</td> </tr> <tr> <td>3</td> <td>E100251</td> <td>Piston Kit</td> <td>14-21</td> </tr> <tr> <td>4</td> <td>E100087</td> <td>Oil Fill Cap w/ O-Ring</td> <td>22, 23</td> </tr> <tr> <td>5</td> <td>E100088</td> <td>Oil Sight Gauge w/ O-Ring</td> <td>26, 27</td> </tr> <tr> <td>6</td> <td>E100102</td> <td>Isolator Kit</td> <td>54-56</td> </tr> <tr> <td>7</td> <td>E102369</td> <td>Wheel Kit</td> <td>71, 73</td> </tr> </tbody> </table>					Kit No.	Part No.	Description	Reference No.	1	E101179	Filter Kit	1, 2	2	E100959	Gasket Kit	6, 9-10, 13, 28	3	E100251	Piston Kit	14-21	4	E100087	Oil Fill Cap w/ O-Ring	22, 23	5	E100088	Oil Sight Gauge w/ O-Ring	26, 27	6	E100102	Isolator Kit	54-56	7	E102369	Wheel Kit	71, 73
Kit No.	Part No.	Description	Reference No.																																						
1	E101179	Filter Kit	1, 2																																						
2	E100959	Gasket Kit	6, 9-10, 13, 28																																						
3	E100251	Piston Kit	14-21																																						
4	E100087	Oil Fill Cap w/ O-Ring	22, 23																																						
5	E100088	Oil Sight Gauge w/ O-Ring	26, 27																																						
6	E100102	Isolator Kit	54-56																																						
7	E102369	Wheel Kit	71, 73																																						
61		E101952	Manifold	1																																					
62			Screw M3 x 15 mm	4																																					
63			Manifold Plate	1																																					
64			Screw M4 x 10 mm	2																																					
65		E102344	Handle	1																																					
66			Screw M6 x 1 x 20	6																																					
67		E101671	Telecopic Tube	2																																					
68		E102343	Wiper Seal	4																																					
69			Slide Handle Bracket	4																																					
70			Frame Tube	1																																					
71	7		Wheel	2																																					
72			Jam Nut M12	2																																					
73	7		Hub Cap	2																																					
74			Hex Nut M6 x 1	2																																					

Notes

Manual de



COMPRESOR DE AIRE

18.9 litros

1HP

**De impulsión directa,
lubricada con aceite**

de Modelo 921.166360



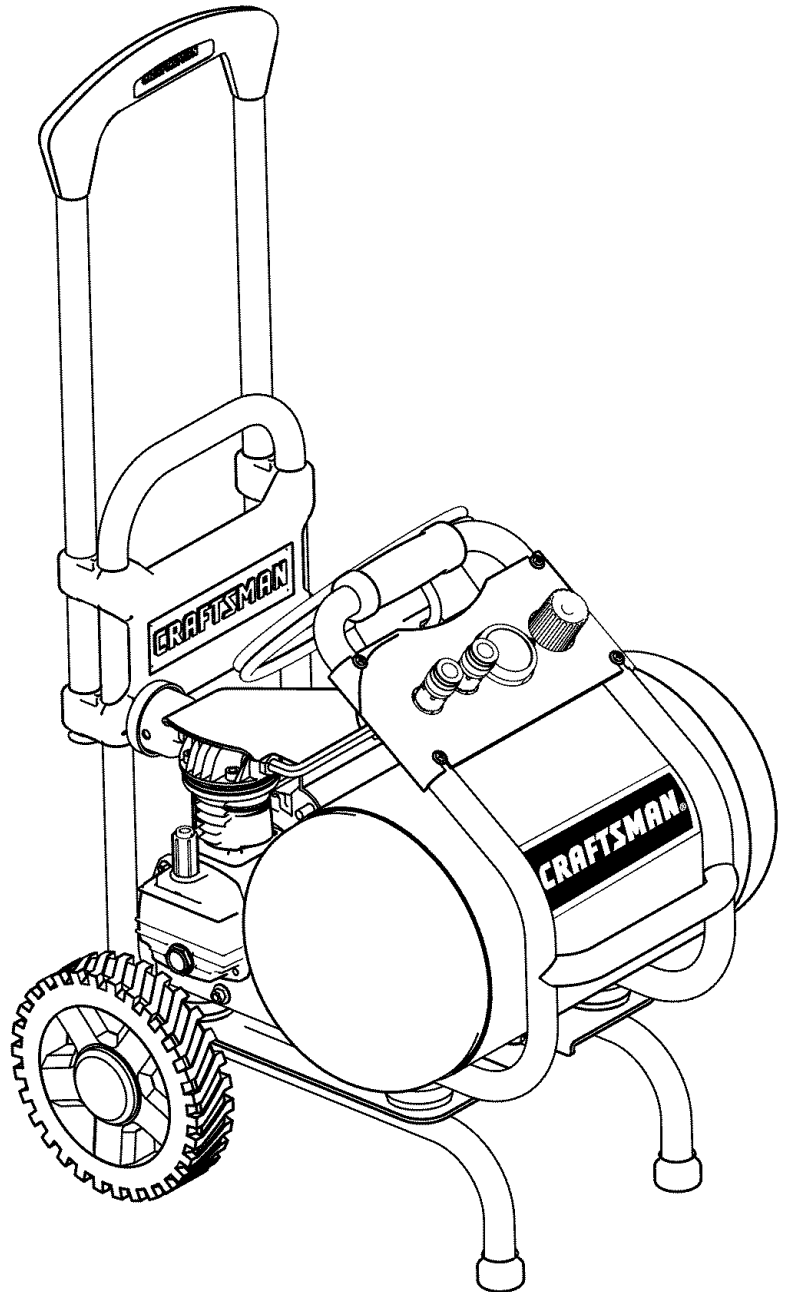
ADVERTENCIA

**LLENAR CON ACEITE ANTES
DE USARLO.**

ADVERTENCIA:

Este producto contiene uno o más productos químicos reconocidos por el Estado de California como causantes de cáncer, defectos de nacimiento u otros daños de reproducción.

Lávese las manos después de manipularlo.



PRECAUCIÓN: Antes de usar el producto, lea este manual y siga sus reglas e instrucciones de seguridad.

- Instrucciones y pautas de seguridad importantes
- Instalación y ensamblaje
- Procedimientos de operación
- Mantenimiento y Almacenamiento
- Diagnóstico y corrección de fallas
- Lista de las piezas

Sears, Roebuck and Co., Hoffman Estates, IL 60179 U.S.A.

www.sears.com

Contenido

	Página
Garantía	esta página
Símbolos de seguridad	15
Instrucciones y pautas de seguridad importantes	16
Especificaciones	16
Glosario	16
Ciclo de trabajo	17
Partes y características	18
Instalación y ensamblaje	19
Procedimientos de operación	20
Para quitar la unidad de la carretilla	20
Mantenimiento	20
Almacenamiento	20
Diagnóstico y corrección de fallas	21
Vista esquemática	22-23
Lista de las piezas	24-25

GARANTÍA COMPLETA DE UN AÑO

Si este compresor de aire Craftsman llega a fallar debido a defectos de materiales o de mano de obra dentro de un año desde la fecha de compra, devuélvalo a cualquier tienda Sears, un centro de servicio Sears u otro punto de venta Craftsman para obtener una reparación sin ningún cargo (o un reemplazo, si no se puede reparar).

Si este compresor de aire se usa con fines comerciales o de renta, esta garantía únicamente se aplicará durante 90 días, a partir de la fecha de compra.

Esta garantía le otorga derechos legales específicos; además, es posible que Ud. tenga otros derechos, los cuales varían de un estado a otro.

Sears, Roebuck and Co., Hoffman Estates, IL 60179

Símbolos comunes de seguridad

El operador debe leer y entender la información descrita a continuación. Esta información se ofrece para proteger al usuario al operar y almacenar el compresor de aire. Los símbolos siguientes son los que se utilizan para indicar al lector información que es importante para su seguridad.

<p align="center">⚠ PELIGRO</p> <p>Indica una situación de riesgo inminente que, al no protegerse, provocará lesiones graves o la muerte.</p>	<p align="center">⚠ PRECAUCIÓN</p> <p>Indica una situación potencialmente peligrosa que, de no evitarse, podría provocar lesiones menores o moderadas.</p>
<p align="center">⚠ ADVERTENCIA</p> <p>Indica una situación potencialmente peligrosa que, al no protegerse, podría provocar lesiones graves o la muerte.</p>	<p align="center">PRECAUCIÓN</p> <p>Quando no aparezca sin el símbolo de alerta de seguridad, esto quiere decir que hay una situación potencialmente peligrosa que, al no protegerse, podría causar daños materiales.</p>

Instrucciones y pautas de seguridad importantes

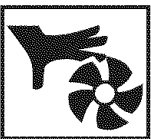


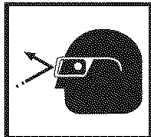
- Guarde todas las instrucciones •





⚠ ADVERTENCIA

ADVERTENCIA:

Este producto contiene uno o más productos químicos reconocidos por el Estado de California como causantes de cáncer, defectos de nacimiento u otros daños de reproducción. Lávese las manos después de manipularlo.

La operación y el mantenimiento inadecuados de este producto pueden provocar lesiones graves y daños materiales. Antes de utilizar este equipo, lea y entienda las advertencias e instrucciones de seguridad aquí contenidas.

<p align="center">PRECAUCIÓN</p>	<p>El compresor de aire se debe operar desde un circuito especial de 15 amperios. Si el circuito no dispone de una capacidad de 15 amperios, se debe usar un circuito de mayor capacidad. Si es necesario, antes de emplear una extensión eléctrica, añada una manguera de aire más larga. Las extensiones eléctricas deben ser de calibre 12 y tener una longitud máxima de 7,6 metros. El fusible del circuito debe ser de acción retardada. Un voltaje demasiado bajo puede dañar el motor.</p>
<p>Riesgo por partes en movimiento</p> 	<p>Al operar el compresor, todos los protectores y cubiertas deben estar fijados e instalados correctamente. Si alguno de los protectores o cubiertas está dañado, no opere el equipo hasta que personal calificado repare el problema. El cable de corriente debe mantenerse alejado de las partes móviles del equipo y no debe torcerse ni prensarse durante su empleo, ni al almacenarse.</p>
<p>Riesgo de quemaduras</p> 	<p>En su compresor hay superficies que, al ser tocadas durante y después de su operación, pueden causar quemaduras graves. Antes de darle mantenimiento al equipo, se debe dejar enfriar. Por lo normal, durante y después de su operación, ciertas partes como la bomba del compresor y el tubo de salida estarán calientes.</p>
<p>Riesgo de caída</p> 	<p>El compresor siempre debe ser operado en una posición estable. Nunca utilice el compresor sobre un techo o en una posición elevada ya que podría caer o volcarse. Al trabajar en posiciones elevadas, utilice una manguera de aire más larga.</p>
<p>Riesgo de lanzamiento de objetos</p> 	<p>Al emplear el compresor, siempre utilice anteojos de seguridad con protectores laterales que cumplan con la norma ANSI Z87.1. Antes de llevar a cabo cualquier clase de mantenimiento y antes de desconectar las mangueras y los acopladores, apague el compresor y drene el tanque de aire. Nunca apunte la boquilla o el rociador hacia ninguna parte de su cuerpo, ni él de otros seres.</p>

<p>Riesgo para la respiración</p> 	<p>Evite utilizar el compresor de aire en áreas encerradas. Siempre tenga un espacio libre adecuado (30 cm.) en todos los lados del compresor. También mantenga fuera del área de operación a las mascotas, niños y otras personas. Este compresor de aire no provee aire que pueda ser respirado ni empleado con un dispositivo respiratorio auxiliar. El material de rociado siempre deberá estar en otra zona, alejado del compresor de aire, para evitar que el aire aspirado dañe al filtro del compresor.</p>
<p>Riesgo de descargas eléctricas</p> 	<p>Nunca utilice el compresor de aire bajo lluvia o en lugares mojados. Los problemas eléctricos deben ser reparados por personal autorizado, tal como sería un electricista, y deben cumplir con las normas eléctricas nacionales y locales. El compresor también debe tener la clavija apropiada de tres terminales para hacer tierra y contar con un suministro eléctrico que sea del voltaje correcto y con un fusible de protección adecuado.</p>
<p>Riesgo de explosión y fuego</p> 	<p>Nunca opere el compresor cerca de materiales combustibles, gasolina ni vapores de solventes. Si está rociando materiales inflamables, coloque el compresor a una distancia de cuando menos 6 metros del área de rociado. Nunca opere el compresor de aire en interiores o en lugares cerrados.</p>
<p>Riesgo de estallido</p> 	<p>Drene el compresor diariamente o después de cada utilización. Si el tanque tiene una fuga, reemplace el compresor. Nunca utilice el compresor si se ha detectado una fuga, ni trate de modificar el tanque. Nunca modifique los ajustes de fábrica del compresor que controlan la presión del tanque y demás funciones.</p>

Especificaciones

Bomba	De impulsión directa, lubricada con aceite	Capacidad del tanque de aire	18.9 litros
Motor	1.0 HP (Inducción)	Presión de arranque	655.0 KPa / 95 PSI
Diámetro	41.9 mm	Presión de parada861.8 KPa / 125 PSI
Carrera	32.0 mm	Pies cúbicos por minuto (SCFM) a 90 LPPC	2.4
Voltaje monofásico	120 VAC	Capacidad del aceite90 ml o 3 onzas.
Capacidad mínima del circuito	15 A	Tipo de aceite	SAE 30 - no detergente

Glosario

SCFM: Pies cúbicos estándar por minuto; unidad de medición de suministro del aire.

PSIG: Libras por pulgada cuadrada sobre la presión atmosférica; unidad de medición de presión.

ASME: Sociedad estadounidense de ingenieros mecánicos.

Código de California: La unidad puede cumplir con el código de California 462 (I) (2)/ (M) (2).

Presión de arranque: El compresor arranca automáticamente cuando la presión baja a menos del mínimo prescrito.

Presión de parada: El motor se para cuando el tanque alcance la presión máxima de aire.

Certificación de código: Los productos que tienen alguna o varias de las siguientes marcas han sido evaluados por laboratorios de seguridad independientes certificados por OSHA, y cumplen con las normas de seguridad de Underwriters Laboratories: UL, , ETL, CSA.

Ciclo de trabajo

Este compresor tiene un ciclo de trabajo de 50%. Nunca opere el compresor por más de 30 minutos cada hora. Ya que al hacerlo, podría dañarlo.

Partes y características

Como referencia, vea las figuras abajo.

Válvula de retención

Cuando la bomba no está en operación, esta válvula se cierra para retener la presión de aire dentro del tanque. Es un componente interno.

Conector de acoplamiento rápido

Permite conectar y desconectar rápidamente la manguera del aire.

Manómetro de presión de salida

Indica la presión de salida del aire que entra en la herramienta, la cual que es controlada por el regulador.

Regulador

La presión del aire que sale del tanque es controlada por el regulador. Para aumentar la presión, gire la perilla en dirección de las manecillas; para disminuirla, gire la perilla en dirección contraria a las manecillas.

Válvula de seguridad del tanque

Permite que el exceso de presión en el tanque escape hacia el medio ambiente. Esta válvula sólo se abrirá cuando la presión en el tanque esté por encima de la presión máxima nominal del modelo.

Pressure Switch

Palanca de autoencendido y apagado (Auto-On/Off): Gire esta palanca hacia la posición "On/Auto" (autoencendido) para proporcionar potencia al interruptor de presión. Gire la palanca hacia la posición "Off" (apagado), cuando no se utiliza más el compresor.

Interruptor de presión: El interruptor de presión arranca automáticamente el motor, cuando la presión del tanque de aire baja a menos de la presión de arranque establecida en la fábrica. Para el motor cuando la presión del tanque de aire alcanza la presión de parada establecida en la fábrica.

Válvula de alivio de presión

Esta válvula, que se encuentra en el costado del interruptor de presión, está diseñada para liberar aire comprimido de manera automática cuando el compresor llegue a la presión de parada. El aire sólo deberá escapar durante un instante, cerrándose la válvula se cerrará en seguida.

Tubo de alivio de presión

Filtro del aire

Suministra aire limpio a la bomba. Siempre debe conservarlo limpio. Revíselo diariamente o antes de cada uso.

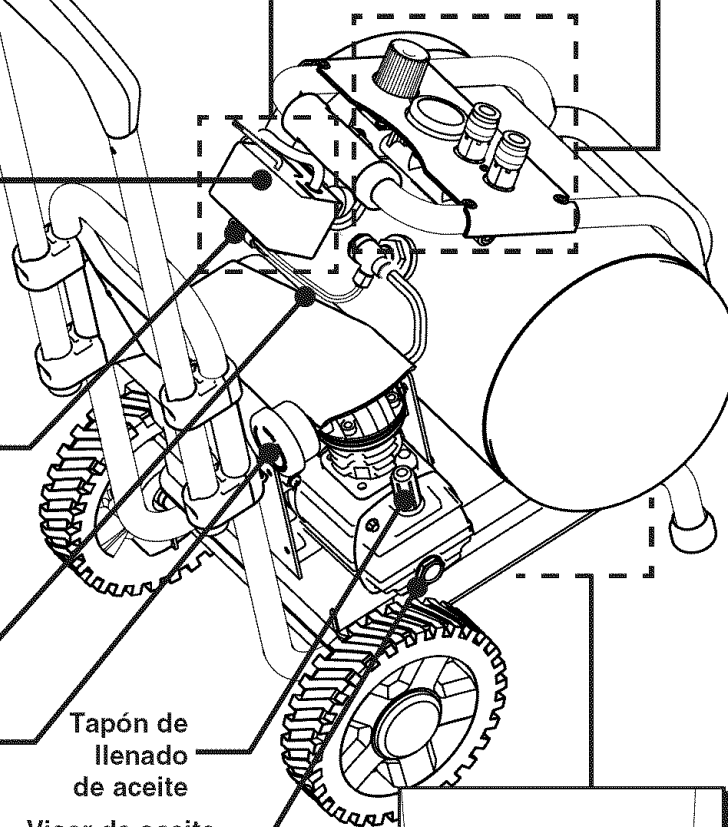
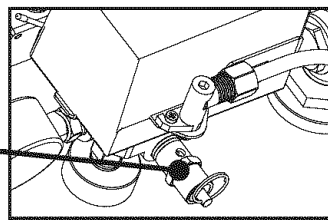
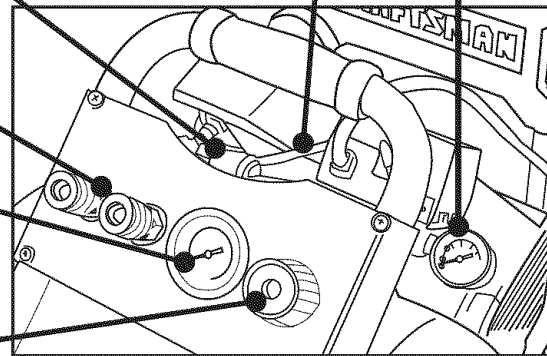
Válvula de drenaje

Sirve para drenar la condensación acumulada en el fondo del tanque. Se encuentra en la parte inferior del tanque.

Manómetro de presión del tanque

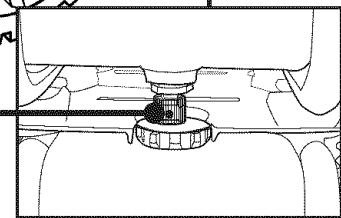
Indica la presión de la reserva de aire del tanque.

Tubo de salida



Tapón de llenado de aceite

Visor de aceite



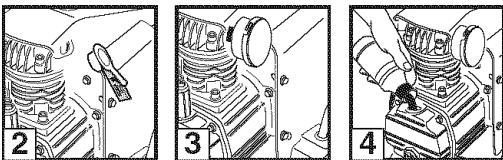
Instalación y ensamblaje

⚠ ADVERTENCIA

Antes de darle cualquier tipo de mantenimiento al compresor de aire, se debe apagar y desconectar de la fuente de alimentación eléctrica, además de purgar el aire del tanque y darle suficiente tiempo para enfriarse. Existe el riesgo de que las partes móviles, las fuentes eléctricas, el aire comprimido y las superficies calientes provoquen lesiones. El ensamblaje de conexión rápida debe estar instalado antes de usar el compresor. Un ensamblaje inadecuado puede ser causa de fugas y posiblemente de lesiones. Si no está seguro de entender las instrucciones de ensamblaje o tiene dificultad para llevar a cabo el armado, por favor llame a su departamento local de servicio para obtener más instrucciones. Contacte a su distribuidor local y autorizado Sears u otro distribuidor calificado para el servicio.

Ensamblaje

1. Quite el compresor de aire, la botella de aceite, el filtro para la entrada del aire, el manual y los accesorios de la empaquetadura de espuma.
2. Remueva el tapón de plástico de la entrada de aire del compresor. (ver abajo)
3. Instale el filtro dentro de la entrada de aire del compresor. (vea el diagrama abajo)
4. Remueva el tapón de llenado de aceite, del cárter del motor y llénelo hasta el punto rojo marcado en el vidrio transparente. La capacidad de aceite es de 90 ml - 3 onzas (vea abajo). Utilice SAE-30 sin detergente (API CG/CD aceite para motores de gran capacidad). Sobre condiciones de temperaturas extremosamente frías, 32° F (0°C) o bajo, utilice aceite muy fluido SAE-10.
5. Coloque nuevamente el tapón de llenado de aceite.
6. Asegúrese de que la unidad esté montada seguramente sobre la carretilla, antes de desplazarla. (Vea la página 6)



Tiempo estimado de ensamblaje:
aproximadamente 5 minutos

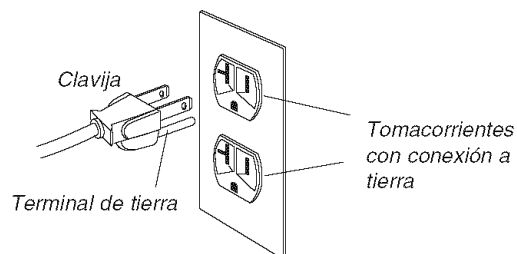
Primer paso: Ubicación del compresor del aire

El compresor del aire siempre debe estar en un medio ambiente limpio, seco y bien ventilado. La unidad debe tener por lo menos 30 cm de espacio libre en cada lado. La toma del filtro del aire debe estar limpia y sin ningún tipo de obstrucción. Por favor revise diariamente el filtro del aire para comprobar que esté limpio y funcione correctamente.

Instrucciones de conexión a tierra

Este producto se debe conectar a tierra. En el caso de que haya un cortocircuito, la conexión a tierra reduce el riesgo de descargas eléctricas al ofrecer una ruta de

escape para la corriente eléctrica. Este producto cuenta con un cable que tiene un alambre de tierra y una clavija con terminal de tierra (ver la figura a continuación). La clavija debe enchufarse en un tomacorriente instalado y puesto a tierra según las normas locales. Hable con un electricista o agente de servicio calificado si no entiende completamente estas instrucciones, o si tiene dudas sobre la correcta puesta a tierra de la herramienta.



⚠ ADVERTENCIA

Una conexión a tierra inadecuada puede provocar una descarga eléctrica. Si necesita reparar o cambiar el cable o la clavija, no conecte el alambre de tierra con ninguna de las terminales planas. El alambre de tierra es de color verde, con o sin franjas amarillas. Si no entiende completamente las instrucciones de conexión a tierra, o si tiene dudas sobre la correcta puesta a tierra de la herramienta, hable con un electricista o agente de servicio calificado. No modifique la clavija que viene con el equipo; si no puede enchufarla en el tomacorriente, llame a un electricista calificado para que le instale el tomacorriente adecuado.

Este producto está diseñado para trabajar en un circuito con un voltaje nominal de 120 voltios y está equipado en la fábrica con un cable y clavija que permiten su conexión a un circuito eléctrico apropiado. Asegúrese de que el producto esté conectado a un tomacorriente con la misma configuración que la clavija. No se debe usar un adaptador con este equipo. Si debe conectar el equipo con un circuito eléctrico de diferente tipo, consiga la ayuda de personal calificado para realizar la reconexión.

Cables de extensión

Sólo utilice un cable de extensión de tres alambres con una clavija con extensión a tierra de tres terminales que pueda enchufarse en un tomacorriente de tres orificios. Asegúrese de que su cable de extensión esté en buenas condiciones. Si utiliza un cable de extensión, compruebe que sea de la capacidad de la corriente que requiere su equipo. Las extensiones no deben ser de más de 25 pies (7,6 m) de largo y deben tener cable de calibre 12 AWG. Un cable más delgado provocará una caída en el voltaje de la línea, lo que provocaría una pérdida de potencia y sobrecalentamiento.

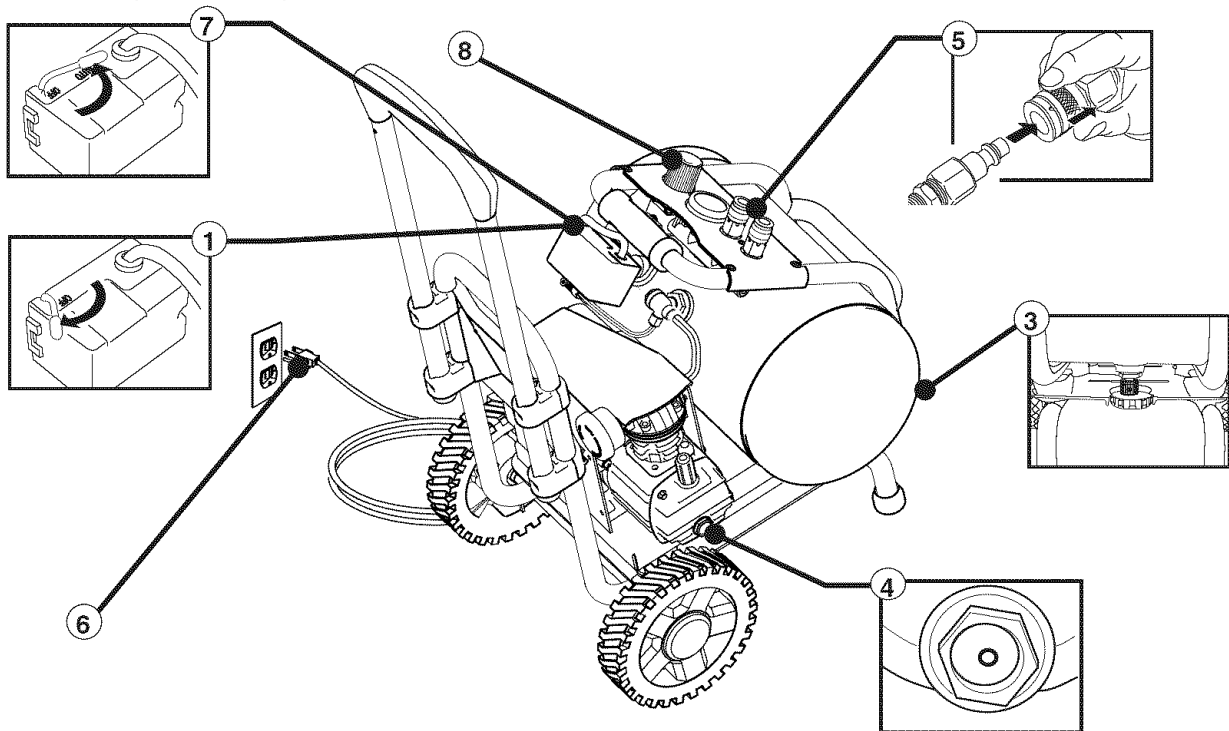
Procedimiento inicial de preparación

No se requiere un procedimiento inicial de preparación. Este producto ha sido probado en la fábrica para asegurar su operación y rendimiento adecuados.

Procedimientos de operación

Procedimiento diario de arranque

1. Ponga el interruptor *Auto-On/Off* en la posición de apagado (*Off*).
2. Verifique que el compresor del aire, la manguera de aire y todos los accesorios/herramientas utilizados, no tengan daños ni obstrucción. Si algunas de las piezas descritas requieren reparación/reemplazo, llame a su tienda autorizada local de servicio, antes de usar el compresor. Contacte a su distribuidor local y autorizado Sears u otro distribuidor calificado para el servicio.
3. Cierre la válvula de drenaje.
4. Revise el nivel de aceite de la bomba.
5. Enchufe la manguera del aire dentro del conector de acoplamiento rápido de la unidad del regulador, insertando la clavija de conexión rápida en la manguera del aire, dentro del conector de acoplamiento rápido. El collarín del conector de acoplamiento rápido saltará hacia adelante, sujetando la clavija y hará una junta entre el conector y la clavija. Para desconectar la manguera del aire, empuje hacia atrás el collarín del conector de acoplamiento rápido.
6. Enchufe el cable de corriente en un tomacorriente apropiado.
7. Mueva el interruptor *Auto-On/Off* a la posición de encendido (*Auto-On*); el compresor deberá arrancar, acumulando la presión del aire en el tanque hasta llegar a la presión de apagado, momento en el cual se apagará de manera automática.
8. Ajuste el regulador a la presión de aire recomendada (PSI) para su aplicación, cerciorándose de que esté dentro de las normas de seguridad para llevar a cabo la tarea. Para las herramientas neumáticas, el manual del fabricante debe tener recomendaciones sobre su presión de operación (PSI).
9. Ahora el compresor del aire está listo para ser usado. Los siguientes accesorios de inflado y de limpieza, los cuales vienen con esta unidad, sólo se deben operar a una presión máxima de 90 PSI: soplete, boquilla cónica de caucho, agujas para inflar, adaptador y adaptador de soplete.



Procedimiento diario de apagado

1. Ponga el interruptor en la posición de apagado (*Off*).
2. Desconecte el cable del tomacorriente.
3. Ponga en cero el regulador de presión de salida.
4. Quite todas las herramientas o accesorios de aire. Siempre lleve una protección aprobada para los oídos y los ojos.
5. Abra la válvula de drenaje permitiendo que escape el aire del tanque. Cuando haya salido del tanque todo el aire, cierre la válvula de drenaje para evitar que entre suciedad.

PRECAUCIÓN

Al drenar el tanque utilice protección para oídos y ojos. Drene el tanque en un lugar apropiado; en la mayoría de las ocasiones al drenar saldrá condensación.

⚠ ADVERTENCIA

Si no drena el tanque al almacenarlo, en su interior quedará agua que lo corroerá y debilitará, lo cual puede provocar su ruptura. Para evitar lesiones graves, drene el tanque diariamente o después de cada uso.

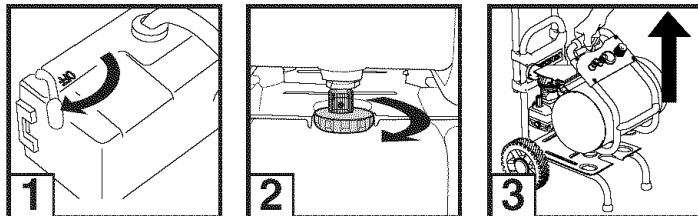
Para quitar la unidad de la carretilla

⚠ ADVERTENCIA

No utilice la carretilla con otros fines que no sean los adecuados para transportar este compresor de aire. No mueva el ensamble compresor/carretilla sin apretar el pomo que fija con seguridad el compresor sobre la carretilla.

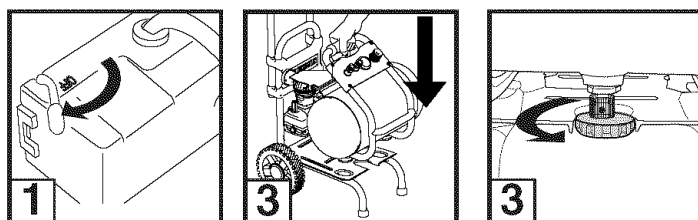
Para quitar el compresor de la carretilla:

1. Apague el compresor y desenchúfelo de la fuente de alimentación eléctrica.
2. Gire el pomo que se encuentra en la parte inferior de la carretilla en el sentido contrario del reloj, hasta que el pomo se desenganche del compresor de aire (Déle de 1 a 2 vueltas, (vista de la parte inferior).
3. Manteniendo a la vez la empuñadura de la carretilla con una mano, levante la empuñadura que se encuentra sobre el compresor, para quitarlo.



Fijación del compresor de aire sobre la carretilla.

1. Apague el compresor y desenchúfelo de la fuente de alimentación eléctrica.
2. Alinee los bloques de aislamiento de caucho del compresor con los huecos de la estructura de la carretilla.
3. Inserte el perno con pomo en el compresor de aire y gírelo en el sentido del reloj, hasta que esté bien apretado. (Si el compresor no está alineado adecuadamente sobre la estructura, no podrá apretar el pomo. Vuelva a colocar el compresor y hágalo otra vez, (vista de la parte inferior).



Mantenimiento

NOTA: Cualquier procedimiento de servicio que no esté cubierto en el programa de mantenimiento que sigue deberá ser efectuado el personal de servicio calificado. Contacte a su distribuidor local y autorizado Sears u otro distribuidor calificado para el servicio.

⚠ ADVERTENCIA

Antes de dar mantenimiento al equipo, se debe apagar y desconectar del tomacorriente, así como purgar el aire del tanque y permitir que la unidad se enfríe.

PRECAUCIÓN

A fin de asegurar una operación eficiente y una larga vida del compresor, debe seguir un programa de mantenimiento de rutina. El siguiente programa de mantenimiento está enfocado al consumidor cuyo compresor es usado en un medio ambiente normal y diariamente.

Programa para mantenimiento

Asuntos para verificar / cambiar	Antes de cada uso o diariamente
Revisar la válvula de seguridad del tanque	X
Revisar visualmente el aspecto general de la unidad	X
Revisar el filtro de aire	X
Drenar el tanque	X
Verificar que el cable eléctrico no esté dañado	X
Cambiar el aceite	Después de las primeras 50 horas
Verificar el nivel del aceite	Después de cada 100 horas

Almacenamiento

Para almacenar el compresor, asegúrese de hacer lo siguiente:

1. Apague la unidad y desconecte el cable eléctrico del tomacorriente.
2. Quite del compresor las mangueras, accesorios y herramientas de aire.
3. Lleve a cabo el programa de mantenimiento de rutina.
4. Abra la válvula de drenaje para drenar el aire del tanque.
5. Cierre la válvula de drenaje.
6. Guarde el compresor en un lugar limpio y seco.

Diagnóstico y corrección de fallas

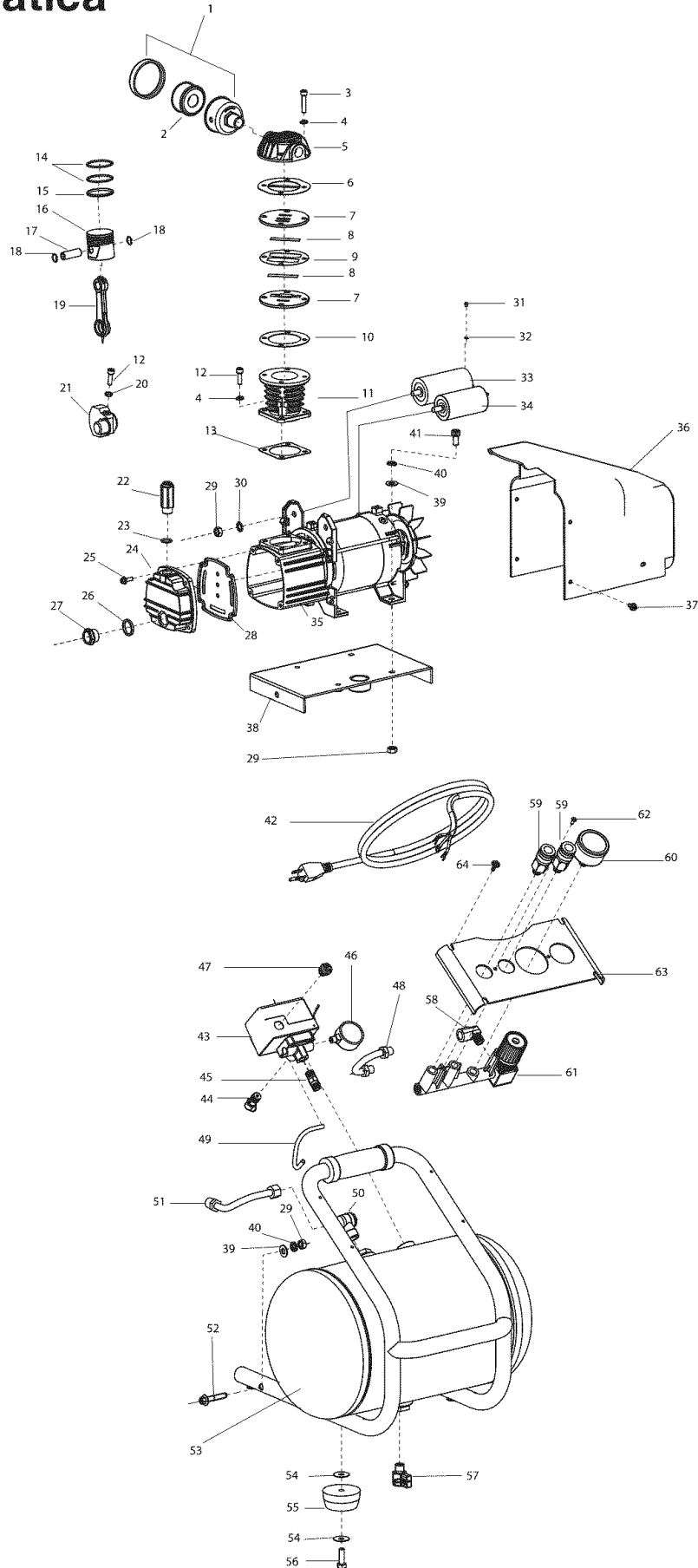
⚠️ ADVERTENCIA

Antes de dar mantenimiento al equipo, se debe apagar y desconectar del tomacorriente, así como purgar el aire del tanque y permitir que la unidad se enfríe. Las partes en movimiento, las fuentes eléctricas, el aire comprimido y las superficies calientes pueden provocar lesiones.

PROBLEMA	POSIBLE CORRECCIÓN
Fuga de aire en la válvula de retención o en la válvula de alivio.	Una válvula de retención defectuosa provoca una fuga de aire constante en la válvula de alivio cuando esté apagado y el compresor tenga presión de aire. Drene el tanque, quite y limpie o cambie la válvula de retención.
Fugas de aire entre la cabeza fuga, el cilindro.	Compruebe que los pernos de la cabeza tengan un par apropiado. Si continúa la llame a un técnico de servicio.
Fuga de aire en la válvula de seguridad.	Opere manualmente la válvula de seguridad jalando el anillo. Si el tanque continúa teniendo una fuga estando la válvula en posición cerrada, deberá cambiarla.
La presión indicada en el manómetro de presión regulada bajará cuando se utiliza un accesorio.	Si al utilizar un accesorio hay una disminución excesiva de presión, cambie el regulador. NOTA Ajuste la presión regulada bajo condiciones de flujo (mientras se utiliza un accesorio). Es normal que el manómetro indique una disminución de presión mínima al comenzar a utilizar la herramienta.
Presión excesiva en el tanque.	Apague el interruptor de encendido (Off). Si la unidad no se apaga, desconéctela del tomacorriente y comuníquese con un técnico de servicio.
El motor no arranca.	Compruebe que el cable de corriente esté enchufado y que el interruptor esté encendido. Compruebe que el fusible de la caja de circuitos sea de la capacidad adecuada. Si se ha disparado, restablézcalo y vuelva a arrancar la unidad. Si el fusible se dispara con frecuencia, reemplace la válvula de retención o llame a un técnico de servicio.
Humedad excesiva en el aire de salida.	Saque el agua del tanque drenándolo después de cada vez que se use. En los medios ambientes de alta humedad habrá un exceso de condensación; instale filtros de agua en su línea de aire. NOTA La condensación no es provocada por una falla en el compresor. Compruebe que la salida de aire del compresor sea mayor que el consumo del aire de su herramienta.
Fugas de aire en el cuerpo o la soldadura del tanque.	Nunca taladre, suelde o modifique de ninguna manera el tanque, pues se debilitará. El tanque podría romperse o explotar. El tanque no puede ser reparado.

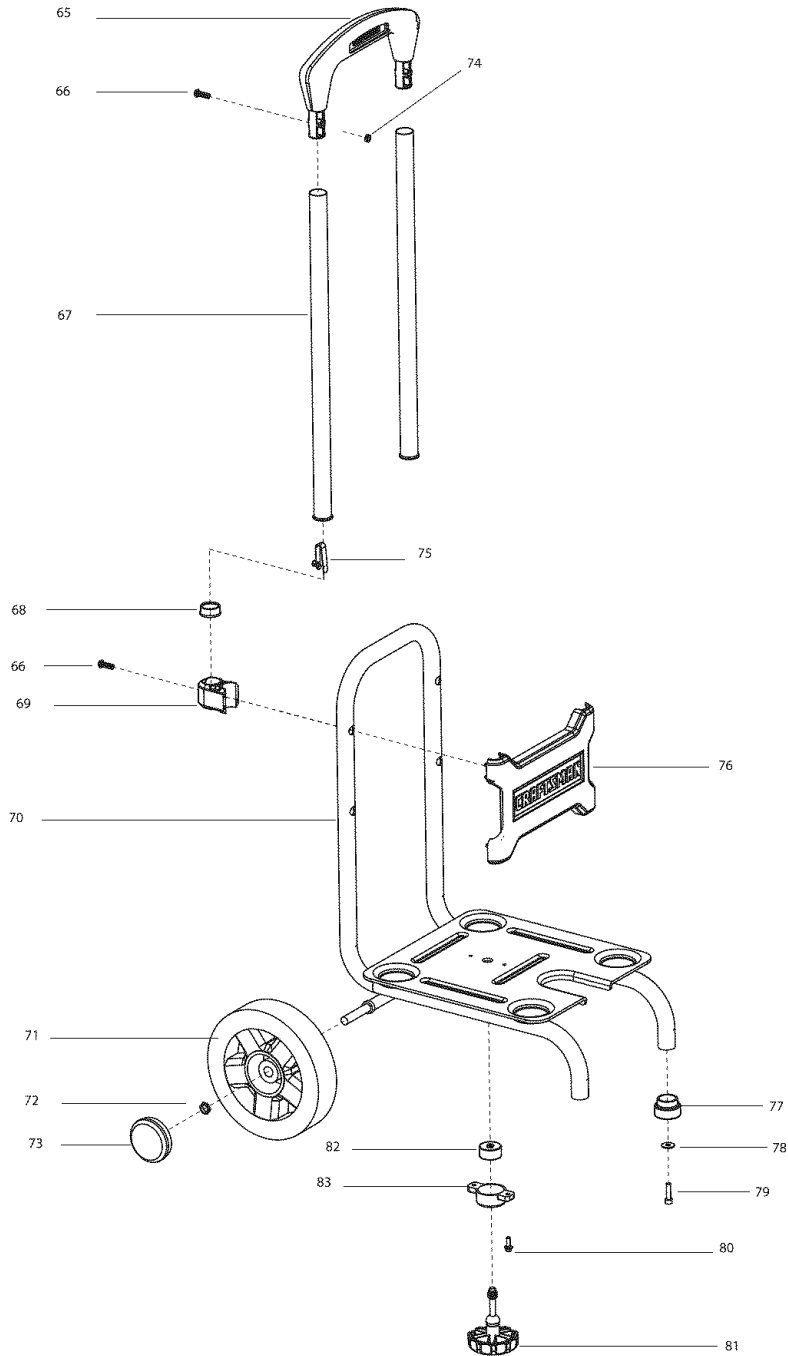
Compresor de aire – Modelo 921.16636

Vista esquemática



Compresor de aire – Modelo 921.16636

Vista esquemática



Compresor de aire – Modelo 921.16636

Lista de las piezas

# de referencia	# de kit	# de parte	descripción de parte	cant.	# de referencia	# de kit	# de parte	descripción de parte	cant.
1	1		Cárter / tapa de filtro - entrada del aire, 1/2 NPT (Kunsan)	1	26	5		Junta, visor del nivel de aceite	1
2	1	E100435	Elemento de filtro (Kunsan)	1	27	5		Visor del nivel de aceite	1
3			Perno de cabeza, M6 x 1.0 x 30 mm	4	28	2		Deflector de caucho	1
4			Arandela de freno, 6 mm	8	29	6		Tuerca, M8 x 1.25	10
5		E100227	Culata de cilindro	1	30			Arandela de freno con dientes, 5/16 pulg.	2
6	2		Junta de culata	1	31			Tornillo M3 x 0.5 x 6 mm	4
7		E100228	Placa de válvula	2	32			Arandela de freno, 3 mm	4
8		E100229	Válvula, caja de láminas	2	33		E100248	Condensador eléctrico de arranque (200µF)	1
9	2		Junta, placa de válvula	1	34		E100247	Condensador eléctrico de marcha (40µF)	1
10			Junta de cilindro - superior	1	35			Motor	1
11			Cilindro, 42 mm Diám. int. x 65 mm Alt.	1	36		E100955	Caja	1
12			Tornillo de cabeza hueca, M6 x 1.0 x 20 mm	5	37			Perno M5 x 5.8 x 10	6
13	2		Junta de cilindro - inferior	1	38			Soporte para motor	1
14	3		Anillo de presión	2	39			Arandela plana 8 mm	6
15	3		Segmento raspador	1	40			Arandela de freno 8 mm	6
16	3		Pistón	1	41			Perno, M8 x 1.25 x 26 mm	4
17	3		Eje de pistón	1	42		E100101	Cordón eléctrico	1
18	3		Anillo elástico, 12 mm	2	43		E100957	Conmutador a presión	1
19	3		Biela	1	44		E100094	Válvula de seguridad	1
20	3		Tuerca, M6 x 1.0 mm	1	45		E100309	Boquilla, 1/4 pulg. NPT x 32 mm	1
21	3		Excéntrica	1	46		E102370	Manómetro 1.5 pulg. 200 PSI	1
22	4		Tapón de relleno de aceite	1	47		E100594	Protector	2
23	4		Anillo "O", Diám. ext. 17 mm x 2 mm	1	48		E101968	Tubo de colector, Macho/Macho (Caucho)	1
24			Tapa de cárter	1	49		E102394	Ensamblado de tubo de presión (Cobre)	1
25			Tornillo, hex embreado M5 x 0.8 x 15 mm	4	50		E100898	Válvula de retención	1

Notas

Compresor de aire – Modelo 921.16636

Lista de las piezas

# de referencia	# de kit	# de parte	descripción de parte	cant.	# de referencia	# de kit	# de parte	descripción de parte	cant.																																
51		E102197	Tubo de salida, Macho/Hembra (Acero inox. flexible)	1	75		E102362	Pasador de fijación	2																																
52			Perno M8 x 1.25 x 40 mm	2	76			Placa Craftsman	1																																
53			Estructura y tanque	1	77		E101377	Aislante de caucho	2																																
54	6		Arandela plana M8 x 25 mm	4	78			Arandela plana	2																																
55	6		Aislante de caucho	4	79			Tornillo M5 x 0.8 x 15 mm	2																																
56	6		Perno M8 x 1.25 mm x 16 mm	4	80			Tornillo M6 x 1 x 20 mm	2																																
57		E101717	Válvula de drenaje	1	81		E101360	Botón de fijación de unidad	1																																
58			Codo 1/4 pulg. NPT Macho/Hembra	1	82		E100914	Anillo de seguridad	1																																
59		E100307	Acoplamiento de conexión rápida	2	83		E101367	Copela/Anillo de seguridad	1																																
60		E100311	Manómetro 2 pulg. 200 PSI	1	<p>Nota: Cualquier campo para los números/juegos de piezas que no tengan un número específico de pieza, indica que no está disponible. Las descripciones se proveen solamente como referencias. La columna con el número de juego indica que la pieza ofrecida está disponible como parte de un juego. Una de cada una de las piezas está ofrecida.</p> <p>Los números de los juegos y las piezas que están incluidos se describen a continuación:</p> <table border="1"> <thead> <tr> <th># de kit</th> <th># de parte</th> <th>descripción de parte</th> <th># de referencia</th> </tr> </thead> <tbody> <tr> <td>1</td> <td>E101179</td> <td>Juego para filtro</td> <td>1, 2</td> </tr> <tr> <td>2</td> <td>E100959</td> <td>Juego para juntas</td> <td>6, 9-10, 13, 28</td> </tr> <tr> <td>3</td> <td>E100251</td> <td>Juego para pistones</td> <td>14-21</td> </tr> <tr> <td>4</td> <td>E100087</td> <td>Tapón de relleno de aceite con anillo "O"</td> <td>22, 23</td> </tr> <tr> <td>5</td> <td>E100088</td> <td>Visor del nivel de aceite con anillo "O"</td> <td>26, 27</td> </tr> <tr> <td>6</td> <td>E100102</td> <td>Juego para aislante</td> <td>54-56</td> </tr> <tr> <td>7</td> <td>E102369</td> <td>Juego para ruedas</td> <td>71, 73</td> </tr> </tbody> </table>					# de kit	# de parte	descripción de parte	# de referencia	1	E101179	Juego para filtro	1, 2	2	E100959	Juego para juntas	6, 9-10, 13, 28	3	E100251	Juego para pistones	14-21	4	E100087	Tapón de relleno de aceite con anillo "O"	22, 23	5	E100088	Visor del nivel de aceite con anillo "O"	26, 27	6	E100102	Juego para aislante	54-56	7	E102369	Juego para ruedas	71, 73
# de kit	# de parte	descripción de parte	# de referencia																																						
1	E101179	Juego para filtro	1, 2																																						
2	E100959	Juego para juntas	6, 9-10, 13, 28																																						
3	E100251	Juego para pistones	14-21																																						
4	E100087	Tapón de relleno de aceite con anillo "O"	22, 23																																						
5	E100088	Visor del nivel de aceite con anillo "O"	26, 27																																						
6	E100102	Juego para aislante	54-56																																						
7	E102369	Juego para ruedas	71, 73																																						
61		E101952	Colector	1																																					
62			Tornillo M3 x 15 mm	4																																					
63			Placa para colector	1																																					
64			Tornillo M4 x 10 mm	2																																					
65		E102344	Agarradera	1																																					
66			Tornillo M6 x 1 x 20 mm	6																																					
67		E101671	Tubo telescópico	2																																					
68		E102343	Junta-rascador	4																																					
69			Soporte para manija deslizante	4																																					
70			Tubo de estructura	1																																					
71	7		Rueda	2																																					
72			Contratuerca M12	2																																					
73	7		Tapacubos	2																																					
74			Tuerca hexagonal M6 x 1	2																																					

Notas

Get it fixed, at your home or ours!

Your Home

For repair – **in your home** – of **all** major brand appliances, lawn and garden equipment, or heating and cooling systems, **no matter who made it, no matter who sold it!**

For the replacement parts, accessories and owner's manuals that you need to do-it-yourself.

For Sears professional installation of home appliances and items like garage door openers and water heaters.

1-800-4-MY-HOME® (1-800-469-4663)

Call anytime, day or night (U.S.A. and Canada)

www.sears.com

www.sears.ca

Our Home

For repair of carry-in items like vacuums, lawn equipment, and electronics, call or go on-line for the location of your nearest **Sears Parts & Repair Center.**

1-800-488-1222

Call anytime, day or night (U.S.A. only)

www.sears.com

To purchase a protection agreement (U.S.A.) or maintenance agreement (Canada) on a product serviced by Sears:

1-800-827-6655 (U.S.A.)

1-800-361-6665 (Canada)

Para pedir servicio de reparación a domicilio, y para ordenar piezas:

1-888-SU-HOGAR®

(1-888-784-6427)

Au Canada pour service en français:

1-800-LE-FOYER^{MC}

(1-800-553-6937)

www.sears.ca

The Sears logo is displayed in a large, bold, black serif font. The word "Sears" is written in a classic, slightly stylized font. Below the word, there is a thin, curved line that underlines the letters.

® Registered Trademark/™ Trademark/SM Service Mark of Sears, Roebuck and Co.

® Marca Registrada/™ Marca de Fábrica/SM Marca de Servicio de Sears, Roebuck and Co.

MC Marque de commerce/MD Marque déposée de Sears, Roebuck and Co.

© Sears Brands, LLC