

CRAFTSMAN®

INSTRUCTION MANUAL | GUIDE D'UTILISATION | MANUAL DE INSTRUCCIONES

Air Compressor **Compresor de aire** **Compresseur d'air**

CMEC6150



IF YOU HAVE QUESTIONS OR COMMENTS, CONTACT US.
POUR TOUTE QUESTION OU TOUT COMMENTAIRE, NOUS CONTACTER.
SI TIENE DUDAS O COMENTARIOS, CONTÁCTENOS.

1-888-331-4569

WWW.CRAFTSMAN.COM

English (***original instructions***)

1

Français (*traduction de la notice d'instructions originale*)

11

Español (*traducido de las instrucciones originales*)

22

Definitions: Safety Alert Symbols and Words

This instruction manual uses the following safety alert symbols and words to alert you to hazardous situations and your risk of personal injury or property damage.



DANGER: Indicates an imminently hazardous situation which, if not avoided, **will** result in **death or serious injury**.



WARNING: Indicates a potentially hazardous situation which, if not avoided, **could** result in **death or serious injury**.



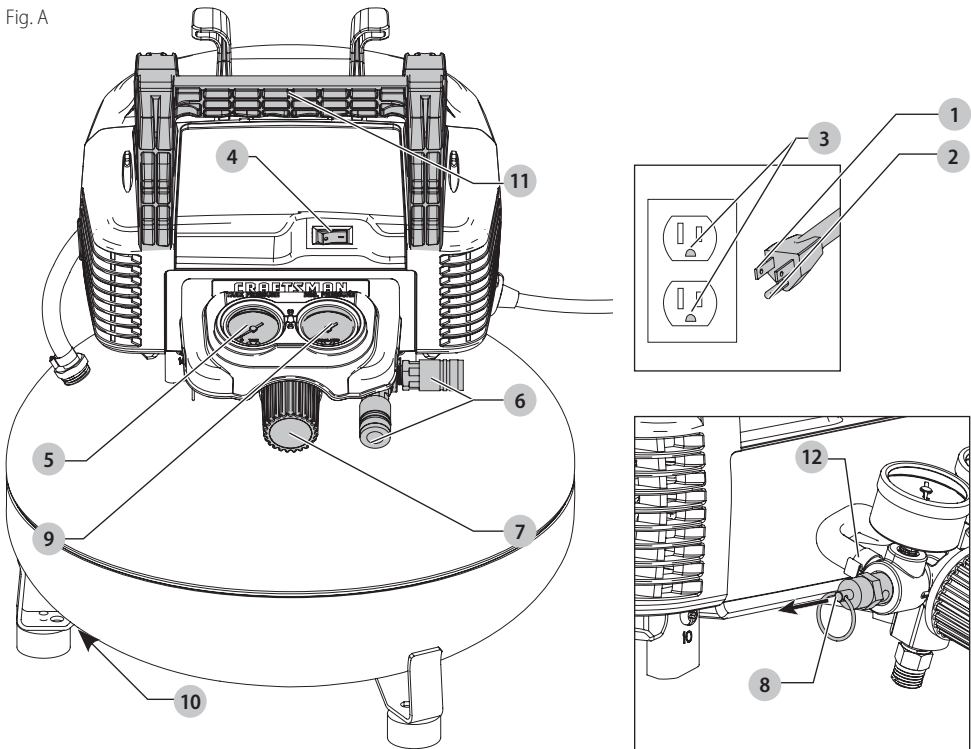
CAUTION: Indicates a potentially hazardous situation which, if not avoided, **may** result in **minor or moderate injury**.



(Used without word) Indicates a safety related message.

NOTICE: Indicates a practice **not related to personal injury** which, if not avoided, **may** result in **property damage**.

Fig. A



Components

- 1 Plug
- 2 Grounding pin
- 3 Grounded outlet
- 4 On/Off switch
- 5 Tank pressure gauge
- 6 Quick connects
- 7 Regulator knob
- 8 Safety valve
- 9 Outlet pressure gauge
- 10 Drain valve (not pictured)
- 11 Handle
- 12 Hose clamp



WARNING: Read all safety warnings and all instructions. Failure to follow the warnings and instructions may result in electric shock, fire and/or serious injury.



WARNING: Never modify the product or any part of it. Damage or personal injury could result.



WARNING: To reduce the risk of injury, read the instruction manual.

If you have any questions or comments about this or any product, call CRAFTSMAN toll free at: 1-888-331-4569.

**Air Compressor
CMEC6150**

IMPORTANT SAFETY INSTRUCTIONS

**SAVE ALL WARNINGS AND INSTRUCTIONS
FOR FUTURE REFERENCE**

⚠ DANGER: RISK OF EXPLOSION OR FIRE 

What can happen	How to prevent it
It is normal for electrical contacts within the motor and pressure switch to spark.	Always operate the compressor in a well ventilated area free of combustible materials, gasoline, or solvent vapors.
If electrical sparks from compressor come into contact with flammable vapors, they may ignite, causing fire or explosion.	If spraying flammable materials, locate compressor at least 20 feet (6.1 m) away from spray area. An additional length of hose may be required.
Restricting any of the compressor ventilation openings will cause serious overheating and could cause a fire.	Store flammable materials in a secure location away from compressor.
	Never place objects against or on top of compressor pump.
	Operate compressor in an open area at least 12" (30.5 cm) away from any wall or obstruction that would restrict the flow of fresh air to the ventilation openings.
Unattended operation of this product could result in personal injury or property damage. To reduce the risk of fire, do not allow the compressor to operate unattended.	Operate compressor in a clean, dry well ventilated area. Do not operate unit indoors or in any confined area.
	Always remain in attendance with the product when it is operating.
	Always turn off and unplug unit when not in use.

⚠ CAUTION: RISK FROM NOISE 

What can happen	How to prevent it
Under some conditions and duration of use, noise from this product may contribute to hearing loss.	Always wear certified safety equipment: ANSI S12.6 (S3.19) hearing protection.

⚠ DANGER: RISK TO BREATHING
(Asphyxiation) 

What can happen	How to prevent it
The compressed air directly from your compressor is not safe for breathing. The air stream may contain carbon monoxide, toxic vapors, or solid particles from the air tank. Breathing these contaminants can cause serious injury or death.	Air obtained directly from the compressor should never be used to supply air for human consumption. In order to use air produced by this compressor for breathing, suitable filters and in-line safety equipment must be properly installed. In-line filters and safety equipment used in conjunction with the compressor must be capable of treating air to all applicable local and federal codes prior to human consumption.
Exposure to chemicals in dust created by power sanding, sawing, grinding, drilling, and other construction activities may be harmful.	Work in an area with good ventilation. Read and follow the safety instructions provided on the label or safety data sheets for the materials you are spraying. Always use certified safety equipment: OSHA/MSHA/NIOSH respiratory protection designed for use with your specific application.
Sprayed materials such as paint, paint solvents, paint remover, insecticides, weed killers, may contain harmful vapors and poisons.	

⚠ WARNING: RISK OF BURSTING 

Air Tank: On February 26, 2002, the U.S. Consumer Product Safety Commission published Release # 02-108 concerning air compressor tank safety:

Air compressor receiver tanks do not have an infinite life. Tank life is dependent upon several factors, some of which include operating conditions, ambient conditions, proper installations, field modifications, and the level of maintenance. The exact effect of these factors on air receiver life is difficult to predict.

If proper maintenance procedures are not followed, internal corrosion to the inner wall of the air receiver tank can cause the air tank to unexpectedly rupture allowing pressurized air to suddenly and forcefully escape, posing risk of injury to consumers.

Your compressor air tank must be removed from service by the end of the year shown on your tank warning label. The following conditions could lead to a weakening of the air tank, and result in a violent air tank explosion:

⚠ WARNING: *Some dust contains chemicals known to the State of California to cause cancer, birth defects or other reproductive harm such as asbestos and lead in lead based paint.*

What can happen

How to prevent it

Failure to properly drain condensed water from air tank, causing rust and thinning of the steel air tank.	Drain air tank daily or after each use. If air tank develops a leak, replace it immediately with a new air tank or replace the entire compressor.
-----------------------------------------------------------------------------------------------------------	---------------------------------------------------------------------------------------------------------------------------------------------------

Modifications or attempted repairs to the air tank.	Never drill into, weld, or make any modifications to the air tank or its attachments. Never attempt to repair a damaged or leaking air tank. Replace with a new air tank.
-----------------------------------------------------	---------------------------------------------------------------------------------------------------------------------------------------------------------------------------

Unauthorized modifications to the safety valve or any other components which control air tank pressure.	The air tank is designed to withstand specific operating pressures. Never make adjustments or parts substitutions to alter the factory set operating pressures.
---------------------------------------------------------------------------------------------------------	-----------------------------------------------------------------------------------------------------------------------------------------------------------------

Attachments & Accessories:

Exceeding the pressure rating of air tools, spray guns, air operated accessories, tires, and other inflatables can cause them to explode or fly apart, and could result in serious injury.	Follow the equipment manufacturers recommendation and never exceed the maximum allowable pressure rating of attachments. Never use compressor to inflate small low pressure objects such as children's toys, footballs, basketballs, etc.
--------------------------------------------------------------------------------------------------------------------------------------------------------------------------------------------	-------------------------------------------------------------------------------------------------------------------------------------------------------------------------------------------------------------------------------------------

Tires:

Over inflation of tires could result in serious injury and property damage.	Use a tire pressure gauge to check the tires pressure before each use and while inflating tires; see the tire sidewall for the correct tire pressure. NOTE: Air tanks, compressors and similar equipment used to inflate tires can fill small tires similar to these very rapidly. Adjust pressure regulator on air supply to no more than the rating of the tire pressure. Add air in small increments and frequently use the tire gauge to prevent over inflation.
-----------------------------------------------------------------------------	--------------------------------------------------------------------------------------------------------------------------------------------------------------------------------------------------------------------------------------------------------------------------------------------------------------------------------------------------------------------------------------------------------------------------------------------------------------------------------

 **WARNING: RISK OF ELECTRICAL SHOCK** 

What can happen

How to prevent it

Your air compressor is powered by electricity. Like any other electrically powered device, if it is not used properly it may cause electric shock.	Never operate the compressor outdoors when it is raining or in wet conditions. Never operate compressor with protective covers removed or damaged.
----------------------------------------------------------------------------------------------------------------------------------------------------	-------------------------------------------------------------------------------------------------------------------------------------------------------

Repairs attempted by unqualified personnel can result in serious injury or death by electrocution.	Any repairs required on this product should be performed by authorized service center personnel.
----------------------------------------------------------------------------------------------------	--------------------------------------------------------------------------------------------------

Electrical Grounding: Failure to provide adequate grounding to this product could result in serious injury or death from electrocution. See **Grounding Instructions** under **Installation**.

Make certain that the electrical circuit to which the compressor is connected provides proper electrical grounding, correct voltage and adequate fuse protection.

 **WARNING: RISK FROM FLYING OBJECTS** 

What can happen

How to prevent it

The compressed air stream can cause soft tissue damage to exposed skin and can propel dirt, chips, loose particles, and small objects at high speed, resulting in property damage or personal injury.	Always wear certified safety equipment: ANSI Z87.1 eye protection (CAN/CSA Z94.3) with side shields when using the compressor. Never point any nozzle or sprayer toward any part of the body or at other people or animals. Always turn the compressor off and bleed pressure from the air hose and air tank before attempting maintenance, attaching tools or accessories.
-------------------------------------------------------------------------------------------------------------------------------------------------------------------------------------------------------	-----------------------------------------------------------------------------------------------------------------------------------------------------------------------------------------------------------------------------------------------------------------------------------------------------------------------------------------------------------------------------------

 **WARNING: RISK OF HOT SURFACES** 

What can happen

How to prevent it

Touching exposed metal such as the compressor head, engine head, engine exhaust or outlet tubes, can result in serious burns.	Never touch any exposed metal parts on compressor during or immediately after operation. Compressor will remain hot for several minutes after operation. Do not reach around protective shrouds or attempt maintenance until unit has been allowed to cool.
-------------------------------------------------------------------------------------------------------------------------------	-------------------------------------------------------------------------------------------------------------------------------------------------------------------------------------------------------------------------------------------------------------

 **WARNING: RISK OF INJURY FROM LIFTING** 

What can happen

How to prevent it

Serious injury can result from attempting to lift too heavy an object.	The compressor is too heavy to be lifted by one person. Obtain assistance from others before lifting.
------------------------------------------------------------------------	-------------------------------------------------------------------------------------------------------

 **WARNING: RISK FROM MOVING PARTS** 

What can happen

How to prevent it

Moving parts such as the pulley, flywheel, and belt can cause serious injury if they come into contact with you or your clothing.	Never operate the compressor with guards or covers which are damaged or removed Keep your hair, clothing, and gloves away from moving parts. Loose clothes, jewelry, or long hair can be caught in moving parts. Air vents may cover moving parts and should be avoided as well.
-----------------------------------------------------------------------------------------------------------------------------------	----------------------------------------------------------------------------------------------------------------------------------------------------------------------------------------------------------------------------------------------------------------------------------------

ENGLISH

Attempting to operate compressor with damaged or missing parts or attempting to repair compressor with protective shrouds removed can expose you to moving parts and can result in serious injury.	Any repairs required on this product should be performed by authorized service center personnel.
----------------------------------------------------------------------------------------------------------------------------------------------------------------------------------------------------	--------------------------------------------------------------------------------------------------

 **WARNING: RISK OF UNSAFE OPERATION**



What can happen	How to prevent it
Unsafe operation of your air compressor could lead to serious injury or death to you or others.	Review and understand all instructions and warnings in this manual.
	Become familiar with the operation and controls of the air compressor.
	Keep operating area clear of all persons, pets, and obstacles.
	Keep children away from the air compressor at all times.
	Do not operate the product when fatigued or under the influence of alcohol or drugs. Stay alert at all times.
	Never defeat the safety features of this product.
	Equip area of operation with a fire extinguisher.
	Do not operate machine with missing, broken, or unauthorized parts.
Never stand on the compressor.	

 **WARNING: RISK OF FALLING**



What can happen	How to prevent it
A portable compressor can fall from a table, workbench, or roof causing damage to the compressor and could result in serious injury or death to the operator.	Always operate compressor in a stable secure position to prevent accidental movement of the unit. Never operate compressor on a roof or other elevated position. Use additional air hose to reach high locations.

Specifications

Model	CMEC6150
Bore	1.875" (47.6 mm)
Stroke	1.250" (31.8 mm)
Voltage/Hz-Single Phase	120/60
Minimum Branch Circuit Requirement	15 amps
Fuse Type	Time Delay
Air Tank Capacity	6 Gallons (22.7 liters)
Approximate Cut-in Pressure	120 psig
Approximate Cut-out Pressure	150 psig

Model	CMEC6150
SCFM @ 40 psig	3.7 *
SCFM @ 90 psig	2.6 *
Regulated Pressure Rating (Approximate)	3–150 psi
Quick Connect Type	1/4" (6.4 mm) Industrial
Duty Cycle	5 minutes on/5 minutes off

*Tested per ISO 1217

Refer to **Glossary** for abbreviations.

Glossary

Become familiar with these terms before operating the unit.

CFM: Cubic feet per minute.

SCFM: Standard cubic feet per minute; a unit of measure of air delivery.

PSIG: Pounds per square inch gauge; a unit of measure of pressure.

Code Certification: Products that bear one or more of the following marks: UL®, CUL, CULUS, ETL®, CETL, CETLUS, have been evaluated by OSHA certified independent safety laboratories and meet the applicable Standards for Safety.


Cut-In Pressure: While the motor is off, air tank pressure drops as you continue to use your accessory. When the tank pressure drops to a certain lower level the motor will restart automatically. The low pressure at which the motor automatically restarts is called "cut-in" pressure.


Cut-Out Pressure: When an air compressor is turned on and begins to run, air pressure in the air tank begins to build. It builds to a certain high pressure before the motor automatically shuts off, protecting your air tank from pressure higher than its capacity. The high pressure at which the motor shuts off is called "cut-out" pressure.

Branch Circuit: Circuit carrying electricity from electrical panel to outlet.

Duty Cycle: For proper operation of your air compressor, it is recommended that a 50% duty cycle be maintained; that is, the air compressor should not run more than 5 minutes in any 10 minute period.

ASSEMBLY AND ADJUSTMENTS

 **WARNING: To reduce the risk of serious personal injury, turn unit off and disconnect it from power source before making any adjustments or removing/installing attachments or accessories.**
An accidental start-up can cause injury.

 **WARNING: Risk of unsafe operation. Unit cycles automatically when power is on. When performing maintenance, you may be exposed to voltage sources, compressed air, or moving parts. Personal injuries can occur. Before performing any maintenance or repair, disconnect power source from the compressor and bleed off all air pressure.**

UNPACKING

Remove unit from carton and discard all packaging.

INSTALLATION

How To Set Up Your Unit

Location of the Air Compressor

- Locate the air compressor in a clean, dry and well ventilated area.
- The air compressor should be located at least 12" (30.5 cm) away from the wall or other obstructions that will interfere with the flow of air.
- The air compressor pump and shroud are designed to allow for proper cooling. The ventilation openings on the compressor are necessary to maintain proper operating temperature. Do not place rags or other containers on or near these openings.

Grounding Instructions (Fig. A)



WARNING: Risk of Electrical Shock. In the event of a short circuit, grounding reduces the risk of shock by providing an escape wire for the electric current. This air compressor must be properly grounded.

The portable air compressor is equipped with a cord having a grounding wire with an appropriate grounding plug ①.

1. The cord set and plug ① with this unit contains a grounding pin ②. This plug **MUST** be used with a grounded outlet ③.

IMPORTANT: The outlet being used must be installed and grounded in accordance with all local codes and ordinances.

2. Make sure the outlet being used has the same configuration as the grounded plug. **DO NOT USE AN ADAPTER.** Refer to Fig. A.
3. Inspect the plug and cord before each use. Do not use if there are signs of damage.
4. If these grounding instructions are not completely understood, or if in doubt as to whether the compressor is properly grounded, have the installation checked by a qualified electrician.



DANGER: Risk of Electrical Shock. IMPROPER GROUNDING CAN RESULT IN ELECTRICAL SHOCK.

- **Do not modify the plug provided. If it does not fit the available outlet, a correct outlet should be installed by a qualified electrician.**
- **Repairs to the cord set or plug **MUST** be made by a qualified electrician.**

Extension Cords

If an extension cord must be used, be sure it is:

- a 3-wire extension cord that has a 3-blade grounding plug, and a 3-slot receptacle that will accept the plug on the product
- in good condition
- no longer than 50' (15.2 m)

- 12 gauge (AWG) or larger. (Wire size increases as gauge number decreases. 10 AWG and 8 AWG may also be used. **DO NOT USE 14 OR 16 AWG.**)

NOTICE: Risk of Property Damage. The use of an undersized extension cord will cause voltage to drop resulting in power loss to the motor and overheating. Instead of using an extension cord, increase the working reach of the air hose by attaching another length of hose to its end. Attach additional lengths of hose as needed.

Voltage and Circuit Protection

Refer to **Specifications** for the voltage and minimum branch circuit requirements.



WARNING: Risk of Overheating. Certain air compressors can be operated on a 15 amp circuit if the following conditions are met.

- Voltage supply to circuit must comply with the National Electrical Code.
- Circuit is not used to supply any other electrical needs.
- Extension cords comply with specifications.
- Circuit is equipped with a 15 amp circuit breaker or 15 amp time delay fuse.

NOTE: If compressor is connected to a circuit protected by fuses, use only time delay fuses. Time delay fuses should be marked "D" in Canada and "T" in the US.

If any of the above conditions cannot be met, or if operation of the compressor repeatedly causes interruption of the power, it may be necessary to operate it from a 20 amp circuit. It is not necessary to change the cord set.

OPERATION



WARNING: To reduce the risk of serious personal injury, turn unit off and disconnect it from power source before making any adjustments or removing/installing attachments or accessories. An accidental start-up can cause injury.



WARNING: Risk of unsafe operation. Unit cycles automatically when power is on. When performing maintenance, you may be exposed to voltage sources, compressed air, or moving parts. Personal injuries can occur. Before performing any maintenance or repair, disconnect power source from the compressor and bleed off all air pressure.

Know Your Air Compressor

READ THIS OWNER'S MANUAL AND SAFETY RULES BEFORE OPERATING YOUR UNIT. Compare the illustrations with your unit to familiarize yourself with the location of various controls and adjustments. Save this manual for future reference.

Description of Operation (Fig. A)

Become familiar with these controls before operating the unit.

ENGLISH

On(I)/Off(O) Switch: Place this switch **4** in the On(I) position to provide automatic power to the pressure switch and Off(O) to remove power at the end of each use.

Pressure Switch (not shown): The pressure switch automatically starts the motor when the air tank pressure drops below the factory set "cut-in" pressure. It stops the motor when the air tank pressure reaches the factory set "cut-out" pressure.

Safety Valve: If the pressure switch does not shut off the air compressor at its "cut-out" pressure setting, the safety valve **8** will protect against high pressure by "popping out" at its factory set pressure (slightly higher than the pressure switch "cut-out" setting).

Tank Pressure Gauge: The tank pressure gauge **5** indicates the reserve air pressure in the tank.

Outlet Pressure Gauge: The outlet pressure gauge **9** indicates the air pressure available at the outlet side of the regulator. This pressure is controlled by the regulator and is always less than or equal to the tank pressure.

Regulator: Controls the air pressure shown on the outlet pressure gauge. Turn regulator knob **7** clockwise to increase pressure and counterclockwise to decrease pressure.

Cooling System (not shown): This compressor contains an advanced design cooling system. At the heart of this cooling system is an engineered fan. It is perfectly normal for this fan to blow air through the vent holes in large amounts. You know that the cooling system is working when air is being expelled.

Air Compressor Pump (not shown): Compresses air into the air tank. Working air is not available until the compressor has raised the air tank pressure above that required at the air outlet.

Drain Valve: The drain valve **10** is located at the base of the air tank and is used to drain condensation at the end of each use.

Check Valve (not shown): When the air compressor is operating, the check valve is "open", allowing compressed air to enter the air tank. When the air compressor reaches "cut-out" pressure, the check valve "closes", allowing air pressure to remain inside the air tank.

Motor Overload Protector (not shown): The motor has a thermal overload protector. If the motor overheats for any reason, the overload protector will shut off the motor. The motor must be allowed to cool down before restarting. To restart:

1. Set the On/Off switch to "Off" and unplug unit.
2. Allow the motor to cool.
3. Plug the power cord into the correct branch circuit receptacle.
4. Set the On/Off switch to "On" position.

Quick Connects : The quick connects **6** accepts industrial quick connect plugs. The two quick connect bodies allow the use of two tools at the same time.

How to Use Your Unit (Fig. A, B)

How to Stop

1. Set the On/Off switch **4** to "Off".
2. Unplug unit when not in use.

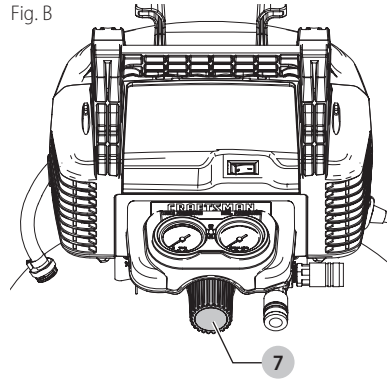
Before Starting

⚠ WARNING: Do not operate this unit until you read this instruction manual for safety, operation and maintenance instructions.

Before Each Start-Up

1. Set the On/Off switch **4** to "Off".
2. Plug the power cord into the correct branch circuit receptacle. (Refer to **Voltage and Circuit Protection** paragraph in the **Installation** section of this manual.)
3. Turn regulator knob **7** counterclockwise until fully closed. Ensure regulated pressure gauge reads 0 PSI (0 kPa).

Fig. B



4. Attach hose and accessories.
5. Ensure all covers and labels are in place, legible (for labels) and securely mounted. Do not use compressor until all items have been verified.

⚠ WARNING: Risk of unsafe operation. Firmly grasp air hose in hand when installing or disconnecting to prevent hose whip.

⚠ WARNING: Risk of unsafe operation. Do not use damaged or worn accessories.

NOTE: This unit is equipped with quick connects **6**. The hose or accessory being connected will require a quick connect plug.

⚠ WARNING: Risk of Bursting. Too much air pressure causes a hazardous risk of bursting. Check the manufacturer's maximum pressure rating for air tools and accessories. The regulator outlet pressure must never exceed the maximum pressure rating.

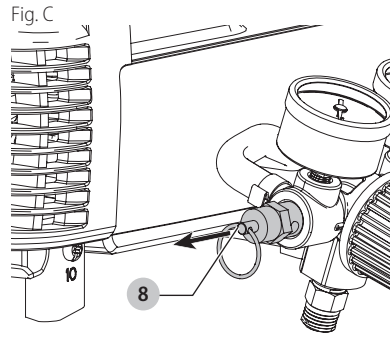
NOTICE: Risk of property damage. Compressed air from the unit may contain water condensation and oil mist. Do not spray unfiltered air at an item that could be damaged by moisture. Some air tools and accessories may require filtered air. Read the instructions for the air tools and accessories.

How to Start

1. Set the On/Off switch **4** to "On" and allow tank pressure to build. Motor will stop when tank pressure reaches "cut-out" pressure.
2. Turn regulator knob **7** clockwise to increase pressure and stop when desired pressure is reached.

! WARNING: Risk of unsafe operation. If any unusual noise or vibration is noticed, stop the compressor immediately and have it checked by a trained service technician.

The compressor is ready for use.



MAINTENANCE

! WARNING: To reduce the risk of serious personal injury, turn unit off and disconnect it from power source before making any adjustments or removing/installing attachments or accessories. An accidental start-up can cause injury.

! WARNING: Risk of unsafe operation. Unit cycles automatically when power is on. When performing maintenance, you may be exposed to voltage sources, compressed air, or moving parts. Personal injuries can occur. Before performing any maintenance or repair, disconnect power source from the compressor and bleed off all air pressure.

Customer Responsibilities

	Before each use	Daily or after each use	See tank warning label
Check Safety Valve	X		
Drain Tank		X	
Remove tank from service			X ¹

1- For more information, call our Customer Care Center at 1-888-331-4569

NOTE: See **Operation** section for the location of controls.

To Check Safety Valve (Fig. C)

! WARNING: Risk of Bursting. If the safety valve does not work properly, over-pressurization may occur, causing air tank rupture or an explosion.

! WARNING: Risk from Flying Objects. Always wear certified safety equipment: ANSI Z87.1 eye protection (CAN/CSA Z94.3) with side shields.

Before starting compressor, pull the ring on the safety valve **8** to make sure that the safety valve operates freely. If the valve is stuck or does not operate smoothly, it must be replaced with the same type of valve.

To Drain Tank (Fig. A, D)

! WARNING: Risk of Unsafe Operation. Air tanks contain high pressure air. Keep face and other body parts away from outlet of drain. Use ANSI Z87.1 eye protection (CAN/CSA Z94.3) when draining as debris can be kicked up into face.

! WARNING: Risk from noise. Always wear proper hearing protection during use. Under some conditions and duration of use, noise from this product may contribute to hearing loss.

NOTE: All compressed air systems generate condensate that accumulates in any drain point (e.g., tanks, filter, aftercoolers, dryers). This condensate contains lubricating oil and/or substances which may be regulated and must be disposed of in accordance with local, state, and federal laws and regulations.

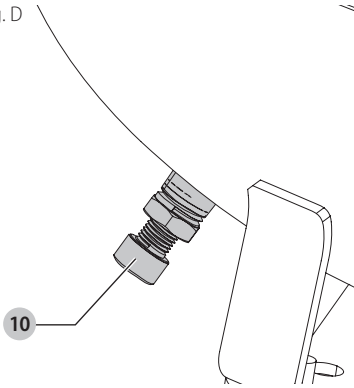
! WARNING: Risk of Bursting. Water will condense in the air tank. If not drained, water will corrode and weaken the air tank causing a risk of air tank rupture.

NOTICE: Risk of Property Damage. Drain water from air tank may contain oil and rust which can cause stains.

1. Set the On/Off switch **4** to "Off".
2. Turn the regulator knob **7** counterclockwise to set the outlet pressure to zero.
3. Remove the air tool or accessory.
4. Place a suitable container under the drain valve to catch discharge.
5. Pull ring on safety valve **8** allowing air to bleed from the tank until tank pressure is approximately 20 psi. Release safety valve ring.
6. Drain water from air tank by opening drain valve **10** on bottom of tank.

ENGLISH

Fig. D



7. After the water has been drained, close the drain valve. The air compressor can now be stored.

NOTE: If drain valve is plugged, release all air pressure. The valve can then be removed, cleaned, the reinstalled.

Cleaning



WARNING: Blow dirt and dust out of all air vents with clean, dry air at least once a week. To minimize the risk of eye injury, always wear ANSI Z87.1 approved eye protection when performing this.



WARNING: Never use solvents or other harsh chemicals for cleaning the non-metallic parts of the tool. These chemicals may weaken the plastic materials used in these parts. Use a cloth dampened only with water and mild soap. Never let any liquid get inside the tool; never immerse any part of the tool into a liquid.

Repairs



WARNING: To assure product SAFETY and RELIABILITY, repairs, maintenance and adjustment (including brush inspection and replacement, when applicable) should be performed by a CRAFTSMAN factory service center or a CRAFTSMAN authorized service center. Always use identical replacement parts.



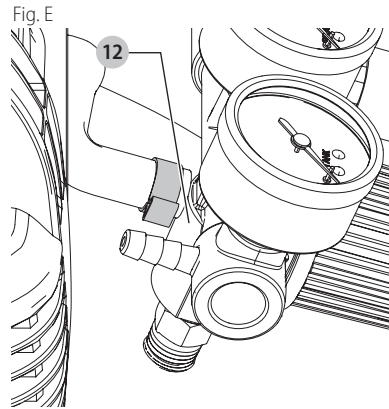
WARNING: Risk of Unsafe Operation. Unit cycles automatically when power is on. When servicing, you may be exposed to voltage sources, compressed air, or moving parts. Before servicing unit unplug or disconnect electrical supply to the air compressor, bleed tank of pressure, and allow the air compressor to cool.

To Replace Regulator (Fig. A, E)

1. Release all air pressure from air tank. See **To Drain Tank** in the **Maintenance** section.
2. Unplug unit.
3. Remove the console cover.
4. Using an adjustable wrench remove the safety valve **8** from the regulator manifold **7**.
5. Remove the hose by removing the hose clamp **12**.

NOTE: The hose clamp is not reusable. You must purchase a new hose clamp.

Fig. E



6. Remove three pump mounting screws securing pump.
7. Carefully lift pump up away from brackets and out of the way.
8. Using an adjustable wrench remove the regulator knob **7**.
9. Apply pipe sealant to new regulator manifold and assemble, tighten with wrench.
10. Reapply pipe sealant to safety valve.
11. Reassemble all components in reverse order of removal. Make sure to orient gauges to read correctly and use wrenches to tighten all components.

Storage

Before you store the air compressor, make sure you do the following:

1. Review the **Maintenance** section on the preceding pages and perform scheduled maintenance as necessary.
2. Drain water from air tank. See **To Drain Tank** under **Maintenance**.



WARNING: Risk of Bursting. Water will condense in the air tank. If not drained, water will corrode and weaken the air tank causing a risk of air tank rupture.

3. Protect the electrical cord and air hose from damage (such as being stepped on or run over). Wind air hose loosely around the compressor handle. Wrap electrical cord onto the cord wrap.
4. Store the air compressor in a clean and dry location.

Accessories



WARNING: *Since accessories, other than those offered by CRAFTSMAN, have not been tested with this product, use of such accessories with this tool could be hazardous. To reduce the risk of injury, only CRAFTSMAN recommended accessories should be used with this product.*

Recommended accessories for use with your tool are available at extra cost from your local dealer or authorized service center. If you need assistance in locating any accessory, please contact CRAFTSMAN, call **1-888-331-4569**.

Register Online

Thank you for your purchase. Register your product now for:

- **WARRANTY SERVICE:** Registering your product will help you obtain more efficient warranty service in case there is a problem with your product.
- **CONFIRMATION OF OWNERSHIP:** In case of an insurance loss, such as fire, flood or theft, your registration of ownership will serve as your proof of purchase.
- **FOR YOUR SAFETY:** Registering your product will allow us to contact you in the unlikely event a safety notification is required under the Federal Consumer Safety Act.

Register online at **www.craftsman.com/registration**

One Year Limited Warranty

CRAFTSMAN will repair or replace, without charge, any defects due to faulty materials or workmanship for one year from the date of purchase. This warranty does not cover part failure due to normal wear or tool abuse. For further detail of warranty coverage and warranty repair information, visit **www.craftsman.com** or call **1-888-331-4569**. This warranty does not apply to accessories or damage caused where repairs have been made or attempted by others. THIS LIMITED WARRANTY IS GIVEN IN LIEU OF ALL OTHERS, INCLUDING THE IMPLIED WARRANTY OF MERCHANTABILITY AND FITNESS FOR A PARTICULAR PURPOSE, AND EXCLUDES ALL INCIDENTAL OR CONSEQUENTIAL DAMAGES. Some states do not allow limitations on how long an implied warranty lasts or the exclusion or limitation of incidental or consequential damages, so these limitations may not apply to you. This warranty gives you specific legal rights and you may have other rights which vary in certain states or provinces.

90 DAY MONEY BACK GUARANTEE

If you are not completely satisfied with the performance of your CRAFTSMAN Power Tool or Nailer for any reason, you can return it within 90 days from the date of purchase with a receipt for a full refund – no questions asked.

LATIN AMERICA: This warranty does not apply to products sold in Latin America. For products sold in Latin America, see country specific warranty information contained either in the packaging, call the local company or see website for warranty information.

TROUBLESHOOTING



WARNING: Risk of Unsafe Operation. Unit cycles automatically when power is on. When servicing, you may be exposed to voltage sources, compressed air, or moving parts. Before servicing unit unplug or disconnect electrical supply to the air compressor, bleed tank of pressure, and allow the air compressor to cool.

PROBLEM	CAUSE	CORRECTION
Excessive tank pressure - safety valve pops off.	Pressure switch does not shut off motor when compressor reaches "cut-out" pressure.	Move On/Off lever to the "Off" position, if the outfit does not shut off contact a Trained Service Technician.
	Pressure switch "cut-out" too high.	Contact a Trained Service Technician.
Air leaks at fittings.	Tube fittings are not tight enough.	Tighten fittings where air can be heard escaping. Check fittings with soapy water solution. Do Not Overtighten.
Air leaks in air tank or at air tank welds.	Defective air tank.	Air tank must be replaced. Do not repair the leak. WARNING: Risk bursting. Do not drill into, weld or otherwise modify air tank or it will weaken. The tank can rupture or explode.
Air leaks between head and valve plate.	Leaking seal.	Contact a Trained Service Technician.
Air leak from safety valve.	Possible defect in safety valve.	Operate safety valve manually by pulling on ring. If valve still leaks, it should be replaced.
Knocking Noise.	Possible defect in safety valve.	Operate safety valve manually by pulling on ring. If valve still leaks, it should be replaced.
Pressure reading on the regulated pressure gauge drops when an accessory is used.	It is normal for "some" pressure drop to occur.	If there is an excessive amount of pressure drop when the accessory is used, adjust the regulator following the instructions in the Description of Operation paragraph in the Operation Section. NOTE: Adjust the regulated pressure under flow conditions (while accessory is being used).
Compressor is not supplying enough air to operate accessories.	Prolonged excessive use of air.	Decrease amount of air usage.
	Compressor is not large enough for air requirement.	Check the accessory air requirement. If it is higher than the SCFM or pressure supplied by your air compressor, you need a larger compressor.
	Hole in hose.	Check and replace if required.
	Check valve restricted.	Have checked by a Trained Service Technician.
Regulator knob has continuous air leak.	Air leaks.	Tighten fittings.
	Damaged regulator.	Replace.
Regulator will not shut off air outlet.	Damaged regulator.	Replace.
Motor will not run.	Fuse blown, circuit breaker tripped.	Check fuse box for blown fuse and replace as necessary. Reset circuit breaker. Do not use a fuse or circuit breaker with higher rating than that specified for your particular branch circuit.
		Check for proper fuse. You should use a time delay fuse.
		Check for low voltage problem.
		Check the extension cord.
		Disconnect the other electrical appliances from circuit or operate the compressor on its own branch circuit.
	Extension cord is wrong length or gauge.	Check the extension cord.
	Loose electrical connections.	Check wiring connection inside terminal box.
Faulty motor.	Have checked by a Trained Service Technician.	
Motor overload protection switch has tripped.	Refer to Motor Overload Protector under Description of Operation . If motor overload protection trips frequently, contact a Trained Service Technician.	

Définitions : symboles et termes d'alarmes sécurité

Ces guides d'utilisation utilisent les symboles et termes d'alarmes sécurité suivants pour vous prévenir de situations dangereuses et de risques de dommages corporels ou matériels.



DANGER : indique une situation dangereuse imminente qui, si elle n'est pas évitée, **entraînera la mort ou des blessures graves**.



AVERTISSEMENT : indique une situation potentiellement dangereuse qui, si elle n'est pas évitée, **pourrait entraîner la mort ou des blessures graves**.



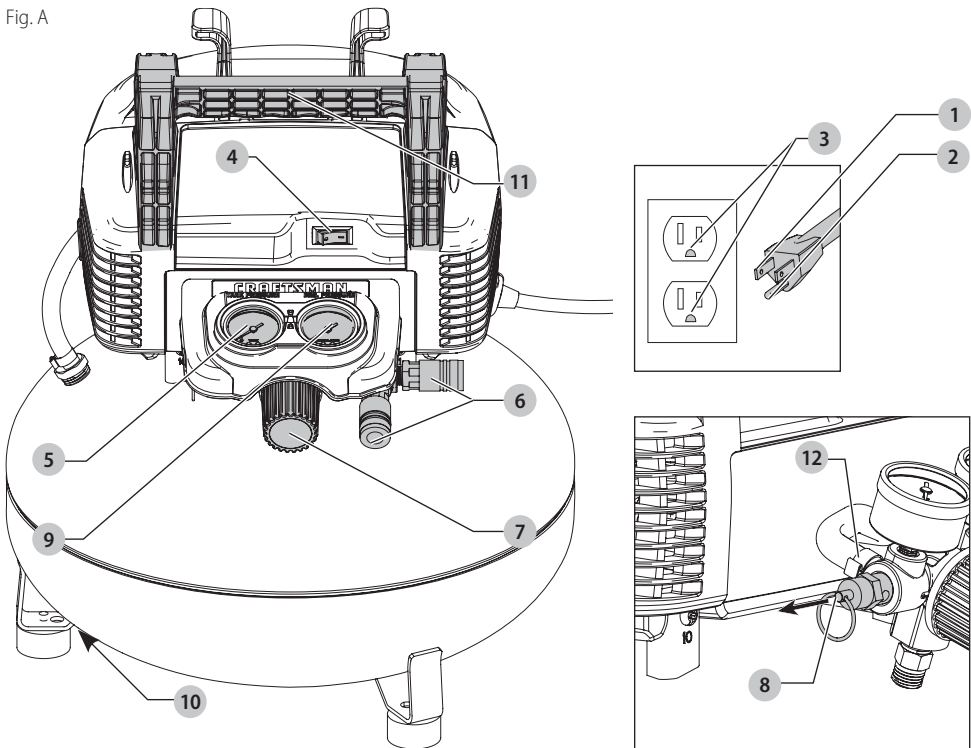
ATTENTION : indique une situation potentiellement dangereuse qui, si elle n'est pas évitée, **pourrait entraîner des blessures légères ou modérées**.



(Si utilisé sans aucun terme) Indique un message propre à la sécurité.

AVIS : indique une pratique ne posant **aucun risque de dommages corporels** mais qui par contre, si rien n'est fait pour l'éviter, **pourrait poser des risques de dommages matériels**.

Fig. A



Composants

- | | |
|---------------------------------------|-----------------------|
| 1 Fiche appropriée de mise à la terre | 7 Régulateur |
| 2 Broche de mise à la terre | 8 Soupape de sûreté |
| 3 Prise de courant mise à la terre | 9 Manomètre de sortie |
| 4 L'interrupteur On/Off | 10 Robinet de vidange |
| 5 Manomètre du réservoir | 11 Poignée |
| 6 Raccords rapides | 12 Collier du Boyau |



AVERTISSEMENT : lire tous les avertissements de sécurité et toutes les directives. Le non-respect des avertissements et des directives pourrait se solder par un choc électrique, un incendie et/ou une blessure grave.



AVERTISSEMENT : ne jamais modifier l'outil électrique ni aucun de ses composants, car il y a des risques de dommages corporels ou matériels.



AVERTISSEMENT : afin de réduire le risque de blessures, lire le mode d'emploi de l'outil.

Pour toute question ou remarque au sujet de cet outil ou de tout autre outil CRAFTSMAN composez le numéro sans frais : 1-888-331-4569.

Compresseur de aire CMEC6150

CONSIGNES DE SÉCURITÉ IMPORTANTES

CONSERVER TOUS LES AVERTISSEMENTS ET TOUTES LES DIRECTIVES POUR UN USAGE ULTÉRIEUR

 **DANGER : RISQUE D'EXPLOSION
OU D'INCENDIE**



Ce qui peut se produire	Comment l'Éviter
Il est normal que des contacts électriques dans le moteur et le manoccontacteur fassent une étincelle.	Faites toujours fonctionner le compresseur dans une zone bien aérée sans matière combustible, essence ou vapeur de solvant.
Si une étincelle électrique provenant du compresseur entre en contact avec des vapeurs inflammables, elle peut s'enflammer et causer un incendie ou une explosion.	Si vous aspergez des matériaux inflammables, placez le compresseur à au moins 6,1 m (20 pieds) de la zone pulvérisée. Il est possible que vous ayez besoin d'une longueur de tuyau additionnelle. Entreposez les matières inflammables dans un endroit sécuritaire, éloigné du compresseur.
Restreindre toute prise d'air de ventilation entraînera une grave surchauffe et pourrait causer un incendie.	Ne jamais placer d'objets contre la pompe du compresseur ou sur celle-ci.
	Faites fonctionner le compresseur dans un endroit aéré à au moins 30,5 cm (12 po) du mur ou de l'obstruction qui pourrait limiter le débit d'air frais dans les ouvertures d'aération.
	Faites fonctionner le compresseur dans un endroit propre, sec et bien aéré. Ne pas utiliser l'appareil à l'intérieur ou dans un endroit exigü.
Le fonctionnement de ce produit sans surveillance pourrait se solder par des blessures personnelles ou des dommages à la propriété. Afin de réduire le risque d'incendie, ne pas laisser le compresseur fonctionner sans surveillance.	Être toujours présent lorsque le produit est en marche.
	Toujours éteindre et débrancher l'appareil si non utilisé.

 **ATTENTION : RISQUE ASSOCIÉ
AU BRUIT**



Ce qui peut se produire	Comment l'Éviter
Dans certaines conditions et selon la durée d'utilisation, le bruit provoqué par ce produit peut contribuer à une perte auditive.	Toujours utiliser un équipement de sécurité homologué : protection auditive conforme à la norme ANSI S12.6 (S3.19).

 **DANGER: RISK TO BREATHING
(Asphyxie)**



Ce qui peut se produire	Comment l'Éviter
Il est dangereux de respirer l'air comprimé sortant du compresseur. Le flux d'air peut contenir du monoxyde de carbone, des vapeurs toxiques ou des particules solides provenant du réservoir d'air. L'inhalation de ces contaminants peut provoquer de sérieuses blessures, voire un décès.	L'air qui s'obtient directement du compresseur ne devrait jamais être utilisé pour alimenter l'air destiné à la consommation humaine. Pour utiliser l'air produit par le compresseur pour la respiration, installer correctement des filtres convenables et un équipement de sécurité en ligne. Les filtres en ligne et l'équipement de sécurité utilisés avec le compresseur doivent être capables de traiter l'air conformément à tous les codes locaux et fédéraux en vigueur avant toute consommation humaine.
Une exposition aux produits chimiques présents dans la poussière générée par les activités de ponçage, sciage, meulage, perçage et autres, peut être nocive.	Travaillez dans un endroit ayant une bonne ventilation. Lisez et suivez toutes les instructions de sécurité fournies sur l'étiquette ou les fiches signalétiques des matières que vous vaporisez. Utilisez toujours un équipement de sécurité certifié : Protection respiratoire OSHA/MSHA/NIOSH conçue pour votre application particulière
Les matériaux vaporisés comme la peinture, les solvants de peinture, les décapants, les insecticides, les herbicides, pourraient contenir des vapeurs nocives et du poison.	

**AVERTISSEMENT : RISQUE D'ÉCLATEMENT**

Réservoir d'air comprimé : Le 26 février 2002, la U.S. Consumer Product Safety Commission américaine a publié la règle n° 02-108 portant sur la sécurité en matière de réservoir d'air comprimé des compresseurs : Les réservoirs d'air comprimé des compresseurs n'ont pas une durée de vie illimitée. La durée de vie des réservoirs dépend de plusieurs facteurs, qui comprennent entre autres: les conditions d'utilisation, les conditions ambiantes, une installation adéquate, les modifications sur site, et le niveau de maintenance. L'effet exact que peut avoir ces facteurs sur la durée de vie des réservoirs d'air est difficilement prévisible.

Si les procédures adéquates de maintenance ne sont pas suivies, la corrosion sur la paroi interne du réservoir d'air comprimé peut faire que celui-ci éclate de façon inopinée laissant soudainement l'air pressurisé s'échapper avec force, posant ainsi des risques de dommages corporels à l'utilisateur.

Le réservoir d'air de votre compresseur doit être mis hors service à la fin de l'année mentionnée sur l'étiquette d'avertissement apposée sur le réservoir.

Les conditions suivantes peuvent amener la dégradation du réservoir d'air, et faire que ce dernier explose violemment :



AVERTISSEMENT : certaines poussières comme l'amiante ou le plomb dans la peinture à base de plomb contiennent des produits chimiques reconnus dans l'État de la Californie pour causer le cancer et des anomalies congénitales ou autres effets nuisibles sur la reproduction.

Ce qui peut se produire	Comment l'Éviter
L'eau condensée n'est pas correctement vidangée du réservoir d'air provoquant ainsi la formation de rouille et un amincissement du réservoir d'air en acier.	Vidanger le réservoir d'air quotidiennement ou après chaque utilisation. Si le réservoir présente une fuite, le remplacer immédiatement par un nouveau réservoir d'air ou par un nouveau compresseur.
Modifications apportées au réservoir d'air ou tentatives de réparation.	Ne jamais percer un trou dans le réservoir d'air ou ses accessoires, y faire de la soudure ou y apporter quelque modification que ce soit. Ne jamais essayer de réparer un réservoir d'air endommagé ou avec des fuites. Le remplacer par un nouveau réservoir d'air.
Des modifications non autorisées de la soupape de sûreté ou de tous autres composants qui régissent la pression du réservoir d'air.	Le réservoir d'air a été conçu pour supporter des pressions spécifiques de fonctionnement. Ne faites jamais effectuer de réglages ou de substitutions de pièces en vue de modifier les pressions de fonctionnement réglées en usine.


Assemblage et Ajustements:

Lorsqu'on excède la pression nominale des outils pneumatiques, des pistolets pulvérisateurs, des accessoires à commande pneumatique, des pneus et d'autres dispositifs pneumatiques, on risque de les faire exploser ou de les projeter et ainsi entraîner des blessures graves.	Respecter les recommandations du fabricant de l'équipement et ne jamais dépasser la pression nominale maximale permise des accessoires. Ne jamais utiliser le compresseur pour gonfler de petits objets à basse pression comme des jouets d'enfant, des ballons de football et de basket-ball, etc.
----------------------------------------------------------------------------------------------------------------------------------------------------------------------------------------------------------------------------------------------------------------------------------	-----------------------------------------------------------------------------------------------------------------------------------------------------------------------------------------------------------------------------------------------------------------------------------------------------

Pneus :	
Des pneus surgonflés pourraient provoquer des blessures graves et des dommages à la propriété.	Utiliser un manomètre pour vérifier la pression des pneus avant chaque utilisation et lors du gonflage; consulter le flanc de pneu pour obtenir la pression correcte. REMARQUE : Des réservoirs d'air, des compresseurs et d'autres appareils similaires utilisés pour gonfler les pneus peuvent remplir de petits pneus à ces pressions très rapidement. Régler le régulateur de pression d'air à une pression moindre que celle indiquée sur le pneu. Ajouter de l'air par petite quantité et utiliser fréquemment le manomètre pour empêcher un surgonflage.

**AVERTISSEMENT : RISQUE DE CHOC ÉLECTRIQUE**



Ce qui peut se produire	Comment l'Éviter
Votre compresseur d'air est alimenté à l'électricité. Tout comme n'importe quel autre dispositif alimenté de façon électrique, s'il n'est pas utilisé correctement, il peut causer un choc électrique.	Ne faites jamais fonctionner le compresseur à l'extérieur lorsqu'il pleut ou dans des conditions humides. Ne faites jamais fonctionner le compresseur avec les couvercles de protection enlevés ou endommagés.
Les tentatives de réparation par un personnel non qualifié peuvent résulter en de graves blessures, voire la mort par électrocution.	Tout câblage électrique ou toute réparation nécessaire pour ce produit doit être pris en charge par un centre de réparation conformément aux codes électriques nationaux et locaux.
Mise à la terre électrique : le fait de ne pas faire une mise à la terre adéquate de ce produit pourrait résulter en des blessures graves voire la mort par électrocution. Consulter les Directives relatives à la mise à la terre sous Installation.	Assurez-vous que le circuit électrique auquel le compresseur est branché fournit une mise à la terre électrique adéquate, une tension appropriée et une bonne protection des fusibles.

AVERTISSEMENT : RISQUE PROVENANT DES OBJETS PROJÉTÉS EN L'AIR  

Ce qui peut se produire	Comment l'Éviter
Le flux d'air comprimé peut endommager les tissus mous de la peau exposée et peut projeter la poussière, des fragments, des particules détachées et des petits objets à haute vitesse, ce qui entraînerait des dommages et des blessures personnelles.	Toujours utiliser de l'équipement de sécurité homologué : protection oculaire conforme à la norme ANSI Z87.1 (CAN/CSA Z94.3) munie d'écrans latéraux lors de l'utilisation du compresseur.
	Ne jamais pointer une buse ou un pulvérisateur vers une partie du corps ou vers d'autres personnes ou des animaux.
	Toujours mettre le compresseur hors tension et purger la pression du tuyau à air et du réservoir d'air avant d'effectuer l'entretien, de fixer des outils ou des accessoires.

AVERTISSEMENT : ATTENTION SURFACES CHAUDES  

Ce qui peut se produire	Comment l'Éviter
Toucher à du métal exposé comme la tête du compresseur ou du moteur, la tubulure des gaz d'échappement ou de sortie, peut se solder en de sérieuses brûlures.	Ne jamais toucher à des pièces métalliques exposées sur le compresseur pendant ou immédiatement après son utilisation. Le compresseur reste chaud pendant plusieurs minutes après son utilisation. Ne pas toucher ni effectuer des réparations aux coiffes de protection avant que l'appareil n'ait refroidi



AVERTISSEMENT : RISQUE DE BLESSURE EN SOULEVANT LE PRODUIT  

Ce qui peut se produire	Comment l'Éviter
Soulever un objet trop lourd peut se solder par de graves blessures.	Le compresseur est trop lourd pour être soulevé par une seule personne. Demander de l'aide avant de le soulever.



AVERTISSEMENT : RISQUE ASSOCIÉ AUX PIÈCES MOBILES  

Ce qui peut se produire	Comment l'Éviter
Les pièces mobiles comme une poulie, un volant ou une courroie peuvent provoquer de graves blessures si elles entrent en contact avec vous ou vos vêtements.	Ne jamais utiliser le compresseur si les protecteurs ou les couvercles sont endommagés ou retirés.
	Tenir les cheveux, les vêtements et les gants hors de portée des pièces en mouvement. Les vêtements amples, bijoux ou cheveux longs peuvent s'enchevêtrer dans les pièces mobiles.
	S'éloigner des événements car ces derniers pourraient camoufler des pièces mobiles.

Utiliser le compresseur avec des pièces endommagées ou manquantes ou le réparer sans coiffes de protection risque de vous exposer à des pièces mobiles et peut se solder par de graves blessures.	Toutes les réparations requises pour ce produit devraient être effectuées par un centre de réparation autorisé.
---------------------------------------------------------------------------------------------------------------------------------------------------------------------------------------------------	-----------------------------------------------------------------------------------------------------------------

AVERTISSEMENT : RISQUE ASSOCIÉ À UTILISATION DANGEREUSE  

Ce qui peut se produire	Comment l'Éviter
Une utilisation dangereuse de votre compresseur d'air pourrait provoquer de graves blessures, voire votre décès ou celle d'autres personnes.	Revoir et comprendre toutes les directives et les avertissements contenus dans le présent mode d'emploi. Se familiariser avec le fonctionnement et les commandes du compresseur d'air. Dégager la zone de travail de toutes personnes, animaux et obstacles. Tenir les enfants hors de portée du compresseur d'air en tout temps. Ne pas utiliser le produit en cas de fatigue ou sous l'emprise d'alcool ou de drogues. Rester vigilant en tout temps. Ne jamais rendre inopérant les fonctionnalités de sécurité du produit. Installer un extincteur dans la zone de travail. Ne pas utiliser l'appareil lorsqu'il manque des pièces ou que des pièces sont brisées ou non autorisées. Ne jamais se tenir debout sur le compresseur.

AVERTISSEMENT : RISQUE DE CHUTE  

Ce qui peut se produire	Comment l'Éviter
Un compresseur portatif peut tomber d'une table, d'un établi ou d'un toit et causer des dommages au compresseur, ce qui pourrait résulter en de graves blessures, voire la mort de l'opérateur.	Toujours faire fonctionner le compresseur alors qu'il est dans une position sécuritaire et stable afin d'empêcher un mouvement accidentel de l'appareil. Ne jamais faire fonctionner le compresseur sur un toit ou sur toute autre position élevée. Utiliser un tuyau d'air supplémentaire pour atteindre les emplacements en hauteur.

Spécifications

Model	CMEC6150
Modèle no	47,6 mm (1,875 po.)
Alésage	31,8 mm (1,250 po.)
Tension monophasée	120/60
Exigence minimale du circuit de dérivation	15 amps
Genre de fusibles	Time Delay
Capacité du réservoir d'air	22,7 liters (6 Gallons)
Pression l'amorçage approx	120 psig
Pression de rupture approx.	150 psig
pi ³ /min standard (SCFM) à 40 lb/po ²	3,7 *
pi ³ /min standard (SCFM) à 90 lb/po ²	2,6 *
Pression nominale stabilisée (approximative)	3–150 psi
Type de raccord à connexion rapide	6,4 mm (1/4 po.) Industrial
Cycle de service	5 minutes en marche / 5 minutes hors fonction

**Testé conformément à la norme ISO 1217

Référezse al **Lexique** para descifrar las abreviaturas.

Lexique

Veillez vous familiariser avec ces termes avant d'utiliser l'appareil.

CFM : pieds cubes par minute (pi³/min).

SCFM : pieds cubes par minute (pi³/min) standard. Une unité de mesure de débit d'air.

PSIG : jauge indiquant le nombre de livres par pouce carré (lb/po²). Une unité de mesure de pression.

Codes de certification : les produits portant une ou plusieurs des mentions suivantes (UL®, CUL, CULUS, ETL®, CETL, CETLUS) ont été évalués par des laboratoires indépendants de sécurité certifiés par l'OSHA et répondent aux normes de sécurité applicables.

Pression d'amorçage : lorsque le moteur est arrêté, la pression du réservoir d'air s'abaisse tandis qu'on continue d'utiliser l'accessoire. Quand la pression du réservoir tombe à un niveau bas réglé à l'usine, le moteur se remet automatiquement en marche. La basse pression à laquelle le moteur se remet automatiquement en marche s'appelle la « pression d'amorçage ».

Pression de rupture : lorsqu'on met un compresseur d'air en marche et qu'il commence à fonctionner, la pression d'air dans le réservoir commence à s'accumuler. La pression monte et atteint un niveau élevé réglé à l'usine, avant que le moteur ne s'arrête automatiquement, protégeant ainsi le réservoir d'air d'un taux de pression qui excéderait sa capacité. La haute pression à laquelle le moteur s'arrête s'appelle la « pression de rupture ».

Circuit de dérivation : le circuit acheminant l'électricité du tableau électrique vers la prise murale.

Cycle de service: pour un fonctionnement approprié de votre compresseur d'air, il est recommandé que le facteur de charge de 50 % soit maintenu et que le compresseur ne soit pas en marche durant plus de 5 minutes pour toute période de temps de 10 minutes.

ASSEMBLAGE ET AJUSTEMENTS



AVERTISSEMENT : pour réduire le risque de blessures graves, éteindre l'outil et retirer le débrancher avant d'effectuer tout réglage et d'enlever ou d'installer tout accessoire. Un démarrage accidentel peut provoquer des blessures.



AVERTISSEMENT : risque d'une utilisation dangereuse. L'unité est automatiquement en cycle quand le courant est présent. Durant le service, vous pourriez être exposé à des sources de tension, à l'air comprimé ou à des pièces mobiles. Avant de faire le service de l'unité, débranchez ou déconnectez l'alimentation électrique au compresseur d'air, purgez la pression du réservoir et laissez le compresseur d'air se refroidir.

DÉBALLAGE

Retirez l'appareil de sa boîte et jetez tout l'emballage.

INSTALLATION

Montage de l'appareil

Emplacement du compresseur d'air

- Le compresseur d'air doit être situé dans un endroit propre, sec et bien aéré.
- Le compresseur d'air devrait être situé à une distance d'au moins 30,5 cm (12 po.) de tout mur ou autre obstruction qui pourrait bloquer le débit d'air.
- La pompe et la tôle de protection du compresseur sont conçus pour permettre un refroidissement approprié. Les ouvertures d'aération du compresseur sont nécessaires pour maintenir la température de fonctionnement appropriée. Ne placez pas de chiffons ou de contenants sur ou à proximité de ces ouvertures.

Directives de mise à la terre (Fig. A)



AVERTISSEMENT : risque de choc électrique ! En cas de court-circuit, la mise à la terre réduit le risque de choc en fournissant un fil de fuite pour le courant électrique. Ce compresseur d'air doit être adéquatement mis à la terre.

Ce compresseur d'air portatif est doté d'un cordon muni d'un fil de mise à la terre et d'une fiche appropriée de mise à la terre ❶.

- Le cordon fourni avec cet appareil comprend une fiche ❶ avec broche de mise à la terre ❷. La fiche DOIT être insérée dans une prise de courant mise à la terre ❸.

IMPORTANT: La prise de courant utilisée doit être

FRANÇAIS

installée et mise à la terre conformément à tous les codes et ordonnances électriques locaux.

- Assurez-vous que la prise de courant utilisée a la même configuration que la fiche de mise à la terre. NE PAS UTILISER UN ADAPTEUR. Voir Figura A.
- Inspectez la fiche et le cordon avant chaque utilisation. Ne pas les utiliser s'il y a des signes de dommages.
- Si vous ne comprenez pas tout à fait ces directives de mise à la terre, ou s'il y a des doutes que le compresseur soit mis à la terre de manière appropriée, faire vérifier l'installation par un électricien qualifié.



DANGER : risque de choc électrique ! UNE MISE À LA TERRE INAPPROPRIÉE PEUT ENTRAÎNER DES CHOCS ÉLECTRIQUES.

- Ne modifiez pas la fiche fournie. Si elle ne convient pas à la prise de courant disponible, une prise appropriée doit être installée par un électricien qualifié.
- Toute réparation du cordon ou de la fiche DOIT être effectuée par un électricien qualifié.

Rallonges

Si une rallonge doit être utilisée, s'assurer :

- d'utiliser une rallonge à trois fils, munie d'une fiche à trois lames avec mise à la terre et une prise de courant à trois fentes qui accepte la fiche de la rallonge;
- qu'elle est en bon état;
- qu'elle n'excède pas 15,2 m (50 pi);
- que les fils sont d'un calibre minimum de 12 AWG. (La grosseur du fil augmente comme le numéro de calibre diminue. Les fils de calibre 10 AWG et 8 AWG peuvent également être utilisés. NE PAS UTILISER UN FIL DE CALIBRE 14 OU 16 AWG.)

AVIS : risque de dommages à la propriété. L'utilisation d'une rallonge produira une chute de tension qui entraînera une perte de puissance au moteur ainsi qu'une surchauffe. Au lieu d'utiliser une rallonge électrique, augmentez plutôt la longueur du boyau d'air en connectant un autre boyau à l'extrémité. Connectez des boyaux supplémentaires au besoin.

Protection contre la surtension et protection du circuit

Consulter le **Spécifications** pour connaître les exigences minimums concernant la tension et le circuit de dérivation.



AVERTISSEMENT : risques de surchauffe. Certains modèles de compresseur d'air peuvent fonctionner sur un circuit de 15 ampères si les conditions suivantes sont satisfaites :

- Le courant d'alimentation au circuit doit être conforme aux exigences du code national de l'électricité.
- Le circuit n'est pas utilisé pour alimenter d'autres dispositifs électriques.
- Les rallonges sont conformes aux spécifications;

- Le circuit est muni d'un coupe-circuit de 15 A ou d'un fusible retardé de 15 A.

REMARQUE : Si un compresseur est relié à un circuit protégé par des fusibles, n'utilisez que des fusibles à retardement. Les fusibles à retardement portent un « D » au Canada et un « T » aux États-Unis.

Si une des conditions ci-dessus ne peut être satisfaite, ou si l'utilisation du compresseur entraîne continuellement une panne de courant, il sera peut être nécessaire de brancher le compresseur sur un circuit de 20 ampères. Il n'est pas nécessaire de remplacer le cordon dans un tel cas.

UTILISATION



AVERTISSEMENT : pour réduire le risque de blessures graves, éteindre l'outil et retirer le débrancher avant d'effectuer tout réglage et d'enlever ou d'installer tout accessoire. Un démarrage accidentel peut provoquer des blessures.



AVERTISSEMENT : risque d'une utilisation dangereuse. L'unité est automatiquement en cycle quand le courant est présent. Durant le service, vous pourriez être exposé à des sources de tension, à l'air comprimé ou à des pièces mobiles. Avant de faire le service de l'unité, débranchez ou déconnectez l'alimentation électrique au compresseur d'air, purgez la pression du réservoir et laissez le compresseur d'air se refroidir.

Familiarisez-vous avec votre compresseur d'air

LISEZ CE GUIDE DE L'UTILISATEUR ET TOUTES LES MESURES DE SÉCURITÉ AVANT D'UTILISER CET APPAREIL. Comparez les illustrations à votre appareil pour vous familiariser avec l'emplacement des commandes et boutons de réglage. Conservez ce guide pour références ultérieures.

Description du fonctionnement (Fig. A)

Familiarisez-vous avec ces commandes avant d'utiliser l'appareil.

Interrupteur marche(I)/arrêt(O) [On(I) /Off(O)] : Placez cet interrupteur 4 à la position de marche (I) pour alimenter automatiquement le manostat et à la position d'arrêt (O) pour couper l'alimentation après chaque utilisation.

Manostat (non illustré) : Le manostat démarre automatiquement le moteur lorsque la pression dans le réservoir d'air tombe à une valeur inférieure à la « pression d'amorçage » réglée à l'usine. Il arrête le moteur lorsque la pression dans le réservoir d'air atteint la « pression de rupture » réglée à l'usine.

Soupape de sûreté : Si le manostat n'arrête pas le compresseur d'air lorsque la « pression de rupture » est atteinte, la soupape de sûreté 8 protège contre toute surpression en « sautant » à la valeur de pression établie à

l'usine une pression (légèrement supérieure à la « pression de rupture » établie pour le manostat).

Manomètre du réservoir : Le manomètre du réservoir **5** indique la pression d'air en réserve dans le réservoir.

Manomètre de sortie : Le manomètre de sortie indique la pression d'air disponible à la sortie **9** du régulateur. Cette pression est contrôlée par le régulateur et est toujours inférieure à ou égale à la pression du réservoir.

Régulateur : Contrôle la pression d'air indiquée sur la jauge à pression de sortie. Tournez la poignée du régulateur **7** dans le sens des aiguilles d'une montre pour augmenter et dans le sens contraire pour réduire la pression.

Système de refroidissement (non illustré) : Le compresseur d'air est doté d'un système de refroidissement d'avant garde. Le cœur de ce système est un ventilateur à technologie avancée. Il est tout à fait normal que ce ventilateur souffle de l'air au-dessus de la tête de la pompe, le manchon du cylindre et le carter. Vous savez que le système de refroidissement fonctionne bien lorsque de l'air est expulsé.

Pompe du compresseur d'air (non illustrée) : La pompe comprime l'air pour le forcer dans le réservoir d'air. L'air n'est pas disponible pour travailler avant que le compresseur n'ait élevé la pression du réservoir d'air au niveau requis à la sortie d'air.

Robinet de vidange : Le robinet de vidange **10** est situé à la base du réservoir d'air et est utilisé pour vidanger la condensation après chaque utilisation.

Soupape de retenue (non illustrée) : Lorsque le compresseur fonctionne, la soupape de retenue est « ouverte », permettant à l'air comprimé d'entrer dans le réservoir d'air. Quand le compresseur d'air atteint la « pression de rupture », la soupape de retenue « se ferme », permettant à l'air pressurisé de demeurer à l'intérieur du réservoir d'air.

Protecteur de surcharge du moteur (non illustré) : Le moteur dispose d'un protecteur de surcharge thermique. Si le moteur surchauffe, peu importe la raison, le protecteur de surcharge met le moteur hors tension. Il faut donner au moteur le temps de refroidir avant de le redémarrer. Redémarrage :

1. Mettre le levier On/Off en position « Off », puis débrancher l'appareil.
2. Laisser le moteur refroidir.
3. Brancher le cordon d'alimentation dans le bon réceptacle de circuit de dérivation.
4. Mettre le levier On/Off en position de « On ».

Raccord à connexion rapide : Le raccord à connexion rapide **6** accepte les industriels styles de raccord à connexion rapide. Les deux raccords à connexion rapide permettent d'utiliser deux outils en même temps.

Utilisation de l'appareil (Fig. A, B)

Arrêt de l'appareil

1. Réglez l'interrupteur On/Off **4** à la position "Off".
2. Débranchez l'appareil après utilisation.

Avant le démarrage

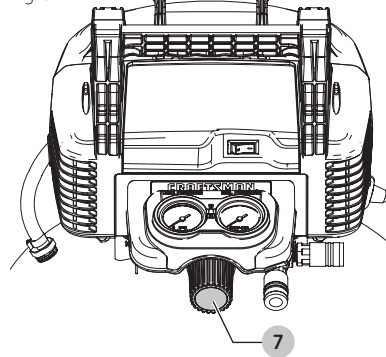


AVERTISSEMENT : ne pas utiliser cet appareil avant d'avoir lu et compris le mode d'emploi ainsi que l'intégralité des directives de sécurité, d'utilisation et d'entretien.

Avant chaque mise en marche

1. Réglez l'interrupteur On/Off **4** à la position « Off ».
2. Branchez le cordon d'alimentation dans la prise de courant du circuit de dérivation approprié. (Consultez le paragraphe sur **Protection contre la surtension et la protection du circuit** de la section sur **Installation** de ce guide.)
3. Tourner le bouton du régulateur **7** en sens antihoraire jusqu'à fermeture complète. S'assurer que le manomètre régulé indique 0 kPa (0 PSI).

Fig. B



4. Fixez le tuyau et les accessoires.
5. S'assurer que tous les couvercles et étiquettes sont présents, lisibles (dans le cas des étiquettes) et bien fixés. Ne pas utiliser le compresseur avant de vérifier tous ces points.



AVERTISSEMENT : risque d'utilisation dangereuse. Saisir fermement le tuyau en main lors du raccordement ou de la déconnexion pour empêcher un à-coup du tuyau.



AVERTISSEMENT : risque d'utilisation dangereuse. N'utilisez pas les accessoires endommagés ou portés.

REMARQUE : Cet appareil est muni de raccords rapides **6**. Le tuyau ou l'accessoire étant raccordé nécessitera une fiche de raccordement rapide.



AVERTISSEMENT : risque d'éclatement. Une pression d'air trop élevée conduit à un risque dangereux d'éclatement. Vérifiez la pression nominale maximum du fabricant pour tous les outils pneumatiques et accessoires utilisés. La pression de sortie du régulateur ne doit jamais excéder la pression nominale maximum.

AVIS : risque de dommages à la propriété. L'air comprimé de l'appareil pourrait contenir de l'eau condensée et des brumes d'huile. Ne pas vaporiser de l'air non filtré sur un article que l'humidité

pourrait endommager. Certains outils ou dispositifs pneumatiques pourraient requérir de l'air filtré. Lire les directives pour l'outil ou le dispositif pneumatique.

Mise en marche

- Réglez l'interrupteur On/Off 4 à la position de « On ». Le moteur s'arrêtera lorsque la pression dans le réservoir atteint la « pression de rupture ».
- Tournez la poignée du régulateur 7 dans le sens des aiguilles d'une montre pour augmenter la pression et arrêtez quand la pression désirée est atteinte.

AVERTISSEMENT : risque d'une utilisation dangereuse. Si n'importe quel bruit ou vibration peu commun est noté, arrêtez le compresseur immédiatement et faites-vérifier le par un technicien qualifié de service.

Le compresseur d'air est maintenant prêt pour l'utilisation.

MAINTENANCE

AVERTISSEMENT : pour réduire le risque de blessures graves, éteindre l'outil et retirer le débrancher avant d'effectuer tout réglage et d'enlever ou d'installer tout accessoire. Un démarrage accidentel peut provoquer des blessures.

AVERTISSEMENT : risque d'une utilisation dangereuse. L'unité est automatiquement en cycle quand le courant est présent. Durant le service, vous pourriez être exposé à des sources de tension, à l'air comprimé ou à des pièces mobiles. Avant de faire le service de l'unité, débranchez ou déconnectez l'alimentation électrique au compresseur d'air, purgez la pression du réservoir et laissez le compresseur d'air se refroidir.

Responsabilités du client

	Avant chaque utilisation	À chaque jour ou après chaque utilisation	Se reporter à l'étiquette d'avertissement sur le réservoir
Vérifier la soupape de sûreté	X		
Vidanger le réservoir		X	
Mettre le réservoir hors service			X ¹
Pour plus d'informations, veuillez appeler notre service à la clientèle au 1-888-331-4569.			

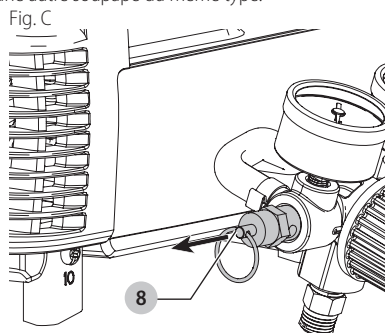
REMARQUE : Consultez la section **Utilisation** pour connaître l'emplacement des commandes.

Vérification de la soupape de sûreté (Fig. C)

AVERTISSEMENT : risque d'éclatement. Si la soupape de sûreté ne fonctionne pas correctement, une surpression pourrait avoir lieu et causer une rupture ou une explosion du réservoir à air.

AVERTISSEMENT : risque provenant des objets projet. **És Toujours utiliser de l'équipement de sécurité homologué : protection oculaire conforme à la norme ANSI Z87.1 (CAN/CSA Z94.3) munie d'écrans latéraux lors de l'utilisation du compresseur.**

Avant de mettre en marche le compresseur, tirez sur l'anneau de la soupape de sûreté pour vous assurer que la soupape fonctionne librement. Si 8 la soupape est coincée ou qu'elle ne bouge pas librement, elle doit être remplacée par une autre soupape du même type.



Vidange du réservoir (Fig. A, D)

AVERTISSEMENT : risque d'utilisation dangereuse. Les réservoirs d'air contiennent de l'air sous haute pression. Éloigner la protection oculaire [ANSI Z87.1 (CAN/CSA Z94.3)] et toutes autres parties du corps de l'orifice de vidange. Porter des lunettes de sécurité lors de la vidange car il y a risque de projection de débris au visage.

AVERTISSEMENT : risques auditifs. Porter systématiquement une protection auditive appropriée durant l'utilisation. Sous certaines conditions et suivant la durée d'utilisation, le bruit émanant de ce produit pourrait contribuer à une perte de l'acuité auditive.

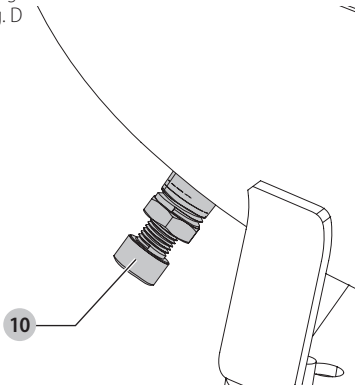
REMARQUE : Tous les systèmes de compression d'air génèrent des condensats qui s'accumulent à un point de vidange (par ex., réservoir, filtre, dispositifs de postrefroidissement ou sécheur). Le condensat contient de l'huile lubrifiante ou des substances contrôlées, ou les deux, et doivent être éliminés conformément aux lois et règlements municipaux, provinciaux, territoriaux et fédéraux.

AVERTISSEMENT : risque d'éclatement. L'eau dans le réservoir d'air peut condenser. Si l'eau n'est pas vidangée, cela risque de corroder et d'affaiblir le réservoir d'air, produisant ainsi un risque de rupture du réservoir d'air.

AVIS : risque de dommages à la propriété. Évacuez l'eau le réservoir d'air peut contenir l'huile et se rouiller qui peut causer des taches.

1. Placez le levier On/Off **4** à la position « Off » et débranchez l'unité.
2. Tirez le bouton du régulateur **7** vers l'extérieur et tournez-le dans le sens contraire des aiguilles d'une montre pour régler la pression de sortie à zéro.
3. Enlevez l'outil pneumatique ou l'accessoire.
4. Disposez un récipient adéquat sous le robinet de vidange pour récupérer tout drainage.
5. Tirez l'anneau de la soupape de sûreté **8** pour permettre à l'air de purger du réservoir jusqu'à ce que la pression dans le réservoir se situe à environ 20 lb/po². Relâchez l'anneau de la soupape de sûreté.
6. Vidangez l'eau du réservoir en ouvrant le robinet de vidange **10**.

Fig. D



7. Une fois la vidange de l'eau terminée, fermez le robinet de vidange (tournez dans le sens des aiguilles d'une montre). Le compresseur d'air peut maintenant être rangé.

REMARQUE : si la valve est bouchée, évacuer la totalité de l'air comprimé du réservoir. La soupape peut alors être enlevée, nettoyée puis réinstallée.

Nettoyage

AVERTISSEMENT : enlever les saletés et la poussière hors des événements au moyen d'air comprimé propre et sec, au moins une fois par semaine. Pour minimiser le risque de blessure aux yeux, toujours porter une protection oculaire conforme à la norme ANSI Z87.1 lors du nettoyage.

AVERTISSEMENT : ne jamais utiliser de solvants ni d'autres produits chimiques puissants pour nettoyer les pièces non métalliques de l'outil. Ces produits chimiques peuvent affaiblir les matériaux de plastique utilisés dans ces pièces. Utiliser un chiffon humecté uniquement d'eau et de savon doux. Ne jamais laisser de liquide pénétrer dans l'outil et n'immerger aucune partie de l'outil dans un liquide.

Réparations

AVERTISSEMENT : pour assurer la **SÉCURITÉ** et la **FIABILITÉ** du produit, les réparations, l'entretien et les réglages doivent être réalisés (cela comprend l'inspection et le remplacement du balai, le cas échéant) par un centre de réparation agréé. Toujours utiliser des pièces de rechange identiques.

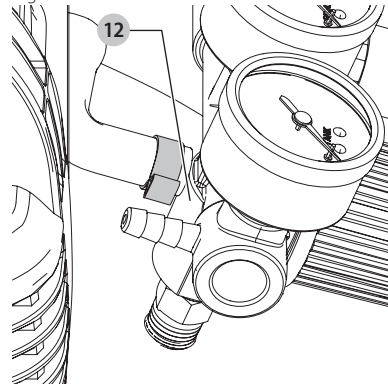
AVERTISSEMENT : risque d'une utilisation dangereuse. L'unité est automatiquement en cycle quand le courant est présent. Durant le service, vous pourriez être exposé à des sources de tension, à l'air comprimé ou à des pièces mobiles. Avant de faire le service de l'unité, débranchez ou déconnectez l'alimentation électrique au compresseur d'air, purgez la pression du réservoir et laissez le compresseur d'air se refroidir.

Pour remplacer le régulateur (Fig. A, E)

1. Déchargez tout l'air pressurisé du réservoir d'air. Voir la partie intitulée **Vidange du réservoir** de la section sur **Maintenance**.
2. Débranchez l'appareil.
3. Retirez le couvercle de la console.
4. À l'aide d'une clé à molette, retirez la soupape de sûreté **8** du collecteur du régulateur **7**.
5. Retirez le collier du boyau et ensuite le boyau **12**.

REMARQUE : Le collier du boyau ne peut pas être réutilisé. Il faut se procurer un collier de boyau neuf.

Fig. E



6. Enlevez trois vis de montage de la pompe qui fixent cette dernière.
7. Soulever délicatement la pompe des supports pour la sortir.
8. À l'aide d'une clé à molette, retirez le collecteur du régulateur **7**.
9. Appliquez un produit d'étanchéité pour tuyaux au collecteur de régulateur neuf et montez-le. Serrez le collecteur avec une clé.
10. Appliquez un produit d'étanchéité pour tuyaux aux la soupape de sûreté.
11. Assemblez tous les composants dans l'ordre inverse du retrait. Assurez-vous d'orienter les manomètres pour que les relevés soient corrects et utilisez les clés pour bien serrer tous les composants.

Rangement

Avant de ranger le compresseur d'air, effectuez les étapes suivantes :

1. Revoyez la rubrique **Maintenance** dans les pages précédentes et effectuez tout entretien requis nécessaire.
2. Purgez l'eau du réservoir. Se reporter à la rubrique **Vidange du réservoir** sous **Maintenance**.



AVERTISSEMENT : risque d'éclatement. *L'eau dans le réservoir d'air peut condenser. Si le réservoir n'est pas vidangé, l'eau corrodera et affaiblira les parois du réservoir d'air, causant ainsi un risque d'éclatement du réservoir.*

3. Protégez le cordon électrique et le boyau d'air contre tout dommage (de façon à ce qu'ils ne soient pas coincés ou écrasés). Enroulez le boyau d'air sans contrainte, autour de la poignée du compresseur d'air. Enroulez le cordon électrique sur le porte-cordon.
4. Rangez le compresseur d'air dans un endroit propre et sec.

Accessoires



AVERTISSEMENT : *puisque les accessoires autres que ceux offerts par CRAFTSMAN n'ont pas été testés avec ce produit, leur utilisation pourrait s'avérer dangereuse. Pour réduire le risque de blessures, utiliser exclusivement les accessoires CRAFTSMAN recommandés avec le présent produit.*

Les accessoires recommandés pour cet outil sont vendus séparément au centre de service de votre région. Pour obtenir de l'aide concernant l'achat d'un accessoire, communiquer avec CRAFTSMAN., composer le **1-888-331-4569**.

Registre en ligne

Merci pour votre achat. Enregistrez dès maintenant votre produit:

- **RÉPARATIONS SOUS GARANTIE:** cette carte remplie vous permettra de vous prévaloir du service de réparations sous garantie de façon plus efficace dans le cas d'un problème avec le produit.
- **CONFIRMATION DE PROPRIÉTÉ:** en cas de perte provoquée par un incendie, une inondation ou un vol, cette preuve de propriété vous servira de preuve auprès de votre compagnie d'assurances.
- **SÉCURITÉ:** l'enregistrement de votre produit nous permettra de communiquer avec vous dans l'éventualité peu probable de l'envoi d'un avis de sécurité régi par la loi fédérale américaine de la protection des consommateurs.

Registre en ligne à **www.craftsman.com/registration**

Garantie limitée d'un an

CRAFTSMAN réparera ou remplacera sans frais tout appareil défectueux pour cause de défaut de matériau ou de main-d'œuvre sur une période d'un an à partir de la date d'achat de l'outil. Cette garantie ne couvre pas les pièces en panne pour cause d'abus ou d'usure normale de l'outil. Pour plus de détails au sujet de la couverture de la garantie et l'information de réparation sous garantie, visitez

www.craftsman.com ou composez le **1-888-331-4569**.

Cette garantie ne s'applique pas aux accessoires ou dommages causés par des réparations effectuées ou tentées par d'autres. CETTE GARANTIE REMPLACE TOUTES LES AUTRES, INCLUANT LES GARANTIES IMPLICITES DE LA QUALITÉ MARCHANDE ET L'APTITUDE POUR UN BUT PARTICULIER, ET EXCLUT TOUTS LES DOMMAGES ACCIDENTELS OU CONSÉCUTIFS. Certaines provinces ne permettent pas de limitation sur la durée de la garantie implicite ou l'exclusion ou la limitation de dommages indirects, alors ces limitations peuvent ne pas s'appliquer à vous. Cette garantie vous donne des droits légaux particuliers et vous pouvez avoir d'autres droits qui varient selon les états ou les provinces..

GARANTIE DE REMBOURSEMENT DE 90 JOURS

Si l'acheteur n'est pas entièrement satisfait, pour quelque raison que ce soit, du rendement de l'outil électrique ou de la cloueuse CRAFTSMAN, celui-ci peut le retourner, accompagné d'un reçu, dans les 90 jours à compter de la date d'achat pour obtenir un remboursement intégral, sans aucun problème.

AMÉRIQUE LATINE : cette garantie ne s'applique aux produits vendus en Amérique latine. Pour ceux-ci, veuillez consulter les informations relatives à la garantie spécifique présente dans l'emballage, appeler l'entreprise locale ou consulter le site Web pour les informations relatives à cette garantie.

DÉPANNAGE



AVERTISSEMENT : risque d'une utilisation dangereuse. L'unité est automatiquement en cycle quand le courant est présent. Durant le service, vous pourriez être exposé à des sources de tension, à l'air comprimé ou à des pièces mobiles. Avant de faire le service de l'unité, débranchez ou déconnectez l'alimentation électrique au compresseur d'air, purgez la pression du réservoir et laissez le compresseur d'air se refroidir.

PROBLÈME	CAUSE	CORRECTION
Pression excessive - la soupape de sûreté se soulève.	Le manostat n'arrête pas le moteur lorsque le compresseur d'air atteint la « pression de rupture ».	Déplacez le levier « On/Off » à la position « Off ». Si l'appareil ne s'arrête pas, contactez un technicien qualifié.
	La « pression de rupture » du manostat est trop élevée.	Contactez un technicien qualifié.
Fuites d'air aux raccords.	Les raccords des tubes ne sont pas assez serrés.	Resserrez les raccords là où on peut entendre l'air s'échapper. Vérifiez les raccords à l'aide d'une solution d'eau savonneuse. Ne Pas Trop Serrer.
Fuites d'air au réservoir d'air ou aux soudures du réservoir.	Réservoir d'air défectueux.	Le réservoir d'air doit être remplacé. Ne tentez pas de réparer les fuites.  AVERTISSEMENT : risque d'éclatement. Évitez de percer, de souder ou de modifier le réservoir d'air de quelque façon. Celui-ci risquerait de rompre ou d'exploser.
Fuites d'air entre la tête et la plaque de la soupape.	Joint d'étanchéité accusant une fuite.	Contactez un technicien qualifié.
Fuite d'air à la soupape de sûreté.	Défectuosité possible dans la soupape de sûreté.	Faites fonctionner la soupape manuellement en tirant sur l'anneau. Si les fuites ne sont pas éliminées, la soupape devrait être remplacée.
Cognements.	Défectuosité possible dans la soupape de sûreté.	Faites fonctionner la soupape manuellement en tirant sur l'anneau. Si les fuites ne sont pas éliminées, la soupape devrait être remplacée.
Le relevé de pression sur le manomètre du régulateur tombe lorsqu'un accessoire est utilisé.	Une légère chute de pression est considérée normale.	S'il y a une chute excessive de pression lorsqu'un accessoire est utilisé, ajoutez le régulateur en suivant les directives du paragraphe intitulé Description du fonctionnement de la section sur Utilisation . REMARQUE : ajustez la pression du régulateur lorsqu'il y a un débit d'air (c.-à-d., pendant l'utilisation d'un accessoire).
Le compresseur d'air ne fournit pas suffisamment d'air pour faire fonctionner les accessoires.	Utilisation prolongée et excessive de l'air.	Utilisation prolongée et excessive de l'air.
	Le compresseur n'est pas assez gros pour la quantité d'air requise.	Le compresseur n'est pas assez gros pour la quantité d'air requise.
	Trou dans le boyau.	Trou dans le boyau.
	Soupape de retenue obstruée.	Contactez un technicien qualifié.
Fuite d'air continue au bouton du régulateur.	Fuites d'air.	Fuites d'air.
	Régulateur endommagé.	Remplacez le régulateur.
Le régulateur ne ferme pas l'orifice de sortie d'air.	Régulateur endommagé.	Remplacez le régulateur.
Le moteur ne tourne pas.	Fusible sauté ou coupe-circuit déclenché.	Vérifiez s'il y a un fusible sauté dans la boîte à fusibles et remplacez-le au besoin. Rétablissez le coupe-circuit. Ne pas utiliser un fusible ou un coupe-circuit à valeur nominale supérieure à la valeur spécifiée pour le circuit de dérivation utilisé.
		Vérifier si le fusible est du type approprié. Vous devriez utiliser un fusible retardé.
		Vérifier s'il y a une condition de tension basse.
		Vérifiez la rallonge.
		Déconnectez tout autre appareil électrique du circuit ou branchez le compresseur sur son propre circuit de dérivation.
Rallonge de longueur ou de calibre inapproprié.	Vérifiez la rallonge.	
Connexions électriques desserrées.	Vérifiez les connexions de câblage dans la boîte à bornes.	
Moteur défectueux.	Faire vérifier par un technicien qualifié.	
Le commutateur de protection de surcharge du moteur a été déclenché.	Consulter la rubrique Surcharge du moteur sous Utilisation . Si la protection de surcharge de moteur se déclenche fréquemment. Communiquer avec un centre de réparation en usine de contactez un technicien qualifié.	

Definiciones: Símbolos y palabras de alerta de seguridad

Este manual de instrucciones utiliza los siguientes símbolos y palabras de alerta de seguridad para alertarle de situaciones peligrosas y del riesgo de lesiones corporales o daños materiales.



PELIGRO: Indica una situación de peligro inminente que, si no se evita, provocará **la muerte o lesiones graves**.



ADVERTENCIA: Indica una situación de peligro potencial que, si no se evita, **podría provocar la muerte o lesiones graves**.



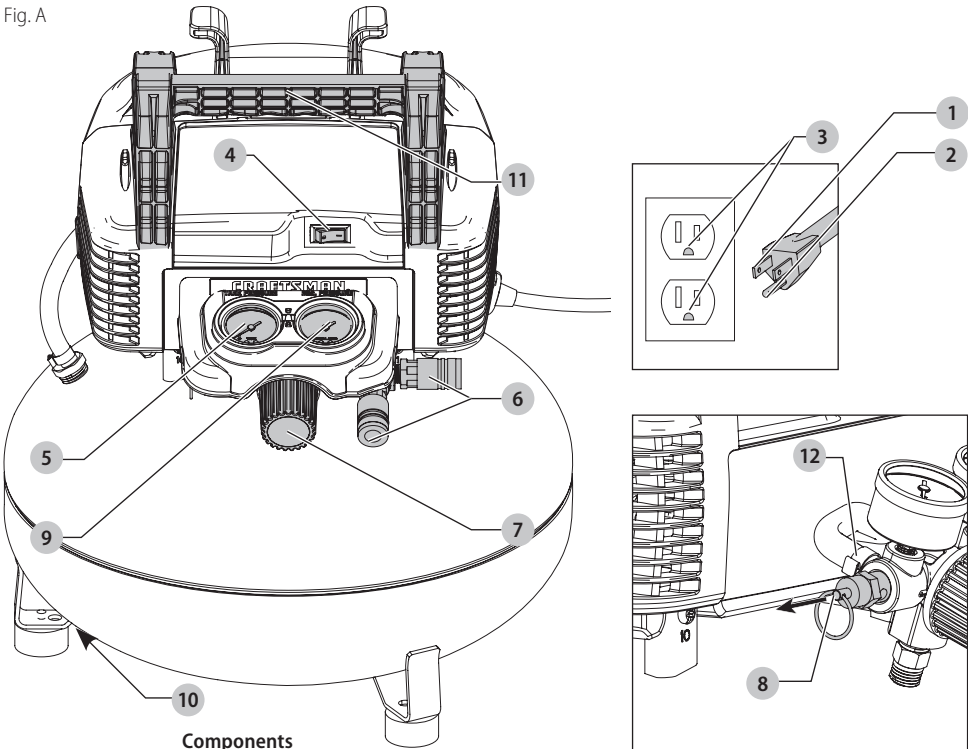
ATENCIÓN: Indica una situación de peligro potencial que, si no se evita, **posiblemente provocaría lesiones leves o moderadas**.



(Utilizado sin palabras) indica un mensaje de seguridad relacionado.

AVISO: Se refiere a una práctica **no relacionada a lesiones corporales** que de no evitarse **puede resultar en daños a la propiedad**.

Fig. A



Components

- 1 Enchufe
- 2 Espigas para conexión a tierra
- 3 Tomacorriente conectado a tierra
- 4 Interruptor Encendido
- 5 Manómetro que controla la presión del tanque
- 6 Conexiones rápidas
- 7 Regulador
- 8 Válvula de seguridad
- 9 Manómetro que controla la presión del tanque
- 10 Válvula de drenaje (not pictured)
- 11 Manija
- 12 Abrazadera de la Manguera



ADVERTENCIA: Lea todas las advertencias de seguridad e instrucciones. El incumplimiento de las advertencias e instrucciones puede provocar descargas eléctricas, incendios o lesiones graves.



ADVERTENCIA: Nunca modifique la herramienta eléctrica, ni tampoco ninguna de sus piezas. Podría producir lesiones corporales o daños.



ADVERTENCIA: Para reducir el riesgo de lesiones, lea el manual de instrucciones.

Si tiene alguna duda o algún comentario sobre ésta u otra herramienta CRAFTSMAN, llámenos al número gratuito: 1-888-331-4569.

**Compresseur d'air
CMEC6150**

**CONSERVE TODAS LAS ADVERTENCIAS
E INSTRUCCIONES PARA FUTURAS
CONSULTAS**



**PELIGRO: RIESGO DE EXPLOSIÓN
O INCENDIO**



¿Qué puede suceder?	Cómo evitarlo
Es normal que los contactos eléctricos dentro del motor y el interruptor de presión produzcan chispas.	Opere siempre el compresor en un área bien ventilada libre de materiales combustibles, gasolina o vapores de solventes.
Si las chispas eléctricas del compresor entran en contacto con vapores inflamables, pueden encenderse, provocando un incendio o una explosión.	Si se pulverizan materiales inflamables, ubique el compresor al menos a 6,1 m (20 pies) del área de pulverización. Se puede necesitar manguera adicional. Guarde los materiales inflamables en lugar seguro lejos del compresor. Guarde los materiales inflamables en lugar seguro lejos del compresor.
Restringir cualquiera de las aberturas de ventilación del compresor causará sobrecalentamiento serio y podría causar un incendio.	Nunca coloque objetos contra o sobre la bomba del compresor. Opere el compresor en un lugar abierto con una distancia de al menos 30,5 cm (12 ") a cualquier pared u obstrucción que pudiera restringir el flujo de aire fresco a las aberturas de ventilación. Opere el compresor en un área limpia, seca y bien ventilada. No opere la unidad dentro de la casa o en un área muy cerrada.
El funcionamiento sin atención de este producto podría provocar lesiones personales o daños a la propiedad. Para disminuir el riesgo de incendio, no permita que el compresor funcione sin que alguien lo controle.	Permanezca siempre controlando el producto cuando está en funcionamiento. Siempre apague y desenchufe la unidad cuando no esté en uso.



ATENCIÓN: RIESGO POR RUIDOS



¿Qué puede suceder?	Cómo evitarlo
En determinadas condiciones y según el período de uso, el ruido provocado por este producto puede originar pérdida de audición.	Utilice siempre equipo de seguridad certificado: protección auditiva ANSI S12.6 (S3.19).



**PELIGRO: RIESGO RESPIRATORIO
(ASFIXIA)**



¿Qué puede suceder?	Cómo evitarlo
El aire comprimido que sale de su compresor no es seguro para respirarlo. El flujo de aire puede contener monóxido de carbono, vapores tóxicos o partículas sólidas del tanque de aire. Respirar estos contaminantes puede provocar lesiones graves o la muerte.	El aire que se obtiene directamente del compresor no se debe usar nunca para consumo humano. Para poder utilizar el aire producido por este compresor para respirar, se deben instalar correctamente filtros y equipos en línea adecuados. Los filtros y los equipos de seguridad en línea que se usan junto con el compresor deben ser capaces de tratar el aire según todos los códigos locales y federales antes de que sea consumido por seres humanos.
La exposición a productos químicos en el polvo producido por las herramientas eléctricas al lijar, aserrar, esmerilar, taladrar y otras actividades de la construcción puede ser peligrosa.	Trabaje en un área con buena ventilación. Lea y siga las instrucciones de seguridad provistas en la etiqueta o las hojas de datos de seguridad para los materiales que rocía. Siempre use equipo de seguridad certificado: Protección respiratoria OSHA/MSHA/NIOSH diseñada para uso con su aplicación específica.
Los materiales pulverizados como pintura, solventes para pinturas, removedor de pintura, insecticidas y herbicidas pueden contener vapores dañinos y venenos.	



ADVERTENCIA: RIESGO DE EXPLOSIÓN



Tanque de aire: El 26 de febrero de 2002, la Comisión de Seguridad para Productos de Consumo de los Estados Unidos publicó el Comunicado # 02-108 sobre la seguridad en los tanques de compresores de aire:

Los tanques receptores de los compresores de aire no tienen una vida útil infinita. La vida útil del tanque depende de diversos factores, incluyendo las condiciones de operación, las condiciones ambientales, la instalación debida del mismo, modificaciones realizadas en el campo y el nivel de mantenimiento que reciba. Es difícil prever cuál será el efecto exacto de estos factores sobre la vida útil del tanque receptor de aire.

Si no se siguen procedimientos de mantenimiento debidos, la corrosión interna de la pared interior del tanque receptor de aire puede causar una ruptura imprevista en el tanque de aire, lo que hará que el aire presurizado escape con fuerza y repentinamente, pudiendo lesionar al usuario.

El tanque de su compresor de aire debe ser dado de baja al final del año que aparece en la etiqueta de advertencia de su tanque.

Las siguientes condiciones pueden llevar a debilitar el tanque de aire y ocasionar la explosión violenta del mismo:



ADVERTENCIA: Algunos polvos contienen químicos conocidos por el Estado de California que causan cáncer, y defectos de nacimiento u otros daños reproductivos tales como asbesto y plomo en pintura a base de plomo.

¿Qué puede suceder?

Cómo evitarlo

No drenar correctamente el agua condensada del tanque de aire, que provoca óxido y adelgazamiento del tanque de aire de acero.	Drene el tanque diariamente o luego de cada uso. Si un tanque de aire presenta una pérdida, reemplácelo inmediatamente con un tanque nuevo o reemplace todo el compresor.
Modificaciones o intento de reparación del tanque de aire.	Nunca perfore, suelde o haga ninguna modificación al tanque de aire o a sus elementos. Nunca intente reparar un tanque de aire dañado o con pérdidas. Reemplácelo con un tanque de aire nuevo.
Las modificaciones no autorizadas de la válvula de seguridad o cualquier otro componente que controle la presión del tanque.	El tanque está diseñado para soportar determinadas presiones de operación. Nunca realice ajustes ni sustituya piezas para cambiar las presiones de operación fijadas en la fábrica.

Elementos y Accesorios:

Exceder las indicaciones de presión para las herramientas neumáticas, las pistolas pulverizadoras, los accesorios neumáticos, los neumáticos y otros artículos inflables puede hacer que exploten o revienten, y puede provocar lesiones graves.	Siga la recomendación del fabricante del equipo y nunca exceda el nivel máximo de presión aceptable para los elementos. Nunca utilice el compresor para inflar objetos pequeños de baja presión, tales como juguetes de niños, pelotas de fútbol o de basquetbol, etc.
--------------------------------------------------------------------------------------------------------------------------------------------------------------------------------------------------------------------------------------------------	------------------------------------------------------------------------------------------------------------------------------------------------------------------------------------------------------------------------------------------------------------------------

Neumáticos:

El inflado excesivo de los neumáticos podría causar lesiones graves y daño a la propiedad.	Utilice un medidor de presión de neumáticos para controlar la presión de éstos antes de cada uso y mientras los infla; observe el flanco para ver la presión correcta del neumático. NOTA: Los tanques de aire, los compresores y el equipo similar que se usa para inflar neumáticos pueden llenar neumáticos pequeños como éstos con mucha rapidez. Ajuste el regulador de presión en el suministro de aire a un valor que no supere el de la presión del neumático. Agregue aire en forma gradual y use con frecuencia el medidor de presión de neumáticos para evitar inflarlos.
--------------------------------------------------------------------------------------------	------------------------------------------------------------------------------------------------------------------------------------------------------------------------------------------------------------------------------------------------------------------------------------------------------------------------------------------------------------------------------------------------------------------------------------------------------------------------------------------------------------------------------------------------------------------------------------------------



ADVERTENCIA: RIESGO DE DESCARGA ELÉCTRICA



¿Qué puede suceder?

Cómo evitarlo

Su compresor de aire funciona con electricidad. Como cualquier otro mecanismo que funciona con electricidad, si no se lo utiliza correctamente puede provocar descargas eléctricas.	Nunca haga funcionar el compresor al aire libre cuando está lloviendo o en condiciones de humedad. Nunca haga funcionar el compresor sin las cubiertas de protección o si están dañadas.
Que personal no calificado intente realizar reparaciones puede provocar lesiones graves o muerte por electrocución.	Cualquier cableado eléctrico o las reparaciones requeridas para este producto deben ser realizadas por un centro de mantenimiento autorizado con los códigos eléctricos nacionales y locales.
Puesta a tierra: La no colocación de la puesta a tierra adecuada para este producto puede provocar lesiones graves o muerte por electrocución. Consulte las Instrucciones de Conexión a tierra en Instalación .	Asegúrese de que el circuito eléctrico al que se conecta el compresor suministre la conexión a tierra adecuada, el voltaje adecuado y el fusible de protección adecuado.



ADVERTENCIA: RIESGO DE OBJETOS DESPESIDOS



¿Qué puede suceder?

La corriente de aire comprimido puede provocar lesiones en los tejidos blandos de la piel expuesta y puede impulsar suciedad, astillas, partículas sueltas y objetos pequeños a gran velocidad, que pueden producir daños en la propiedad y lesiones personales.

Cómo evitarlo

Utilice siempre equipo de seguridad certificado: anteojos de seguridad ANSI Z87.1 (CAN/CSA Z94.3) con protección lateral al usar el compresor.

Nunca apunte ninguna boquilla ni pulverizador a ninguna parte del cuerpo o a otras personas o animales.

Apague siempre el compresor y drene la presión de la manguera de aire y del tanque de aire antes de intentar hacer mantenimiento, conectar herramientas o accesorios.



ADVERTENCIA: RIESGO DE SUPERFICIES CALIENTES



¿Qué puede suceder?

Tocar metal expuesto como el cabezal del compresor, el cabezal del motor, el escape del motor, o los tubos de salida puede provocar quemaduras graves.

Cómo evitarlo

Nunca toque ninguna parte metálica expuesta del compresor durante o inmediatamente después de su funcionamiento.

El compresor continuará caliente durante varios minutos después de su funcionamiento.

No toque las cubiertas protectoras ni intente realizar mantenimiento hasta que la unidad se haya enfriado.



ADVERTENCIA: RIESGO DE LESIÓN POR LEVANTAR MUCHO PESO



¿Qué puede suceder?

El intento de levantar un objeto muy pesado puede provocar lesiones graves.

Cómo evitarlo

El compresor es demasiado pesado como para que lo levante una sola persona. Consiga ayuda de otras personas para levantarlo.



ADVERTENCIA: RIESGO POR PIEZAS MÓVILES



¿Qué puede suceder?

Las piezas móviles como la polea, el volante y la correa pueden provocar lesiones graves si entran en contacto con usted o con sus ropas.

Cómo evitarlo

Nunca haga funcionar el compresor sin los protectores o cubiertas o si los mismos están dañados.

Mantenga el cabello, la ropa y los guantes alejados de las piezas en movimiento. Las ropas holgadas, las joyas o el cabello largo pueden quedar atrapados en las piezas móviles.

Los orificios de ventilación pueden cubrir piezas en movimiento, por lo que también se deben evitar.

Intentar hacer funcionar el compresor con partes dañadas o faltantes, o intentar reparar el compresor sin las cubiertas protectoras puede exponerlo a piezas móviles lo que puede provocar lesiones graves.

Cualquier reparación requerida por este producto debe ser realizada por un centro de servicio autorizado.



ADVERTENCIA: RIESGO DE OPERACIÓN INSEGURA



¿Qué puede suceder?

La operación insegura de su compresor de aire podría producir lesiones graves o la muerte, a usted mismo o a otras personas.

Cómo evitarlo

Revise y comprenda todas las instrucciones y advertencias de este manual.

Familiarícese con la operación y los controles del compresor de aire.

Mantenga el área de operaciones libre de personas, mascotas y obstáculos.

Mantenga a los niños alejados del compresor de aire en todo momento.

No opere el producto cuando esté cansado o bajo la influencia de alcohol o drogas. Manténgase alerta en todo momento.

Nunca anule las características de seguridad de este producto.

Equipe el área de operaciones con un extintor de incendios.

No opere la máquina si faltan piezas, si éstas están rotas o si no son las autorizadas.

Nunca se pare sobre el compresor.



ADVERTENCIA: RIESGO DE CAÍDAS



¿Qué puede suceder?

Un compresor portátil se puede caer de una mesa, banco o techo, provocando daños al compresor y puede producir lesiones graves o la muerte del operador.

Cómo evitarlo

Opere siempre el compresor en una posición estable y segura para evitar que la unidad se mueva accidentalmente. Nunca opere el compresor sobre un techo u otra ubicación elevada. Utilice una manguera de aire adicional para alcanzar las ubicaciones elevadas.

Especificaciones

Modelo N°	CMEC6150
Diámetro interior	47,6 mm (1,875")
Carrera	31,8 mm (1,250")
Voltaje-corriente manofásica	120/60
Circuito mínimo requerido	15 amps
Tipo de fusible	Acción retardada
Capacidad de aire en el tanque	22,7 litros (6 galones)
Presión de corte de entrada	120 psig
Presión de corte de salida	150 psig
SCFM a 40 psig	3,7 *
SCFM a 90 psig	2,6 *
Clasificación de presión regulada (aproximadamente)	3–150 psi
Conexiones rápidas	6,4 mm (1/4") Industrial
Ciclo de servicio	5 minutos on/5 minutos off

*Probado según la norma ISO 1217

Refiérase al **Glosario** para descifrar las abreviaturas.

Glosario

Familiarícese con los siguientes términos, antes de operar la unidad:

CFM: (cubic feet per minute) pies cúbicos por minuto.

SCFM: (standard cubic feet per minute) pies cúbicos estándar por minuto; una unidad de medida que permite medir la cantidad de entrega de aire.

PSIG: (pound per square inch) libras por pulgada cuadrada.

Código de certificación: Los productos que usan una o más de las siguientes marcas: UL®, CUL, CULUS, ETL®, CETL, CETLUS, han sido evaluados por OSHA, laboratorios independientes certificados en seguridad, y reúnen los estándares suscriptos por a la certificación de la seguridad.

Presión mínima de corte: Cuando el motor está apagado, la presión del tanque de aire baja a medida que usted continúa usando su accesorio. Cuando la presión del tanque baja al valor fijado en fábrica como punto bajo, el motor volverá a arrancar automáticamente. La presión baja a la cual el motor arranca automáticamente, se llama presión "mínima de corte".

Presión máxima de corte: Cuando un compresor de aire se enciende y comienza a funcionar, la presión de aire en el tanque comienza a aumentar. Aumenta hasta un valor de presión alto fijado en fábrica antes de que el motor automáticamente se apague protegiendo a su tanque de aire de presiones más altas que su capacidad. La presión alta a la cual el motor se apaga se llama presión "máxima de corte".

Ramal: Circuito eléctrico que transporta electricidad desde el panel de control hasta el tomacorriente.

Ciclo de servicio: Para la operación adecuada de su compresor de aire, se recomienda que se mantenga un ciclo de servicio de 50%; esto es, el compresor de aire no debe operar por más de 5 minutos en cualquier periodo de 10 minutos.

MONTAJE Y AJUSTES



ADVERTENCIA: Para reducir el riesgo de lesiones personales graves, apague la herramienta y desconéctela de la fuente de alimentación antes de realizar ajustes o de retirar/instalar dispositivos o accesorios. Un arranque accidental podría causar lesiones.



ADVERTENCIA: La unidad arranca automáticamente cuando está conectada. Al hacer el mantenimiento puede quedar expuesto a fuentes de voltaje, de aire comprimido o a piezas móviles que pueden causar lesiones personales. Antes de intentar hacerle cualquier mantenimiento, desconecte el compresor del suministro eléctrico y drénele toda la presión de aire.

DESEMPAQUE

Extraiga la unidad de su caja y descarte todas las partes de embalaje.

INSTALACIÓN

Cómo preparar la unidad

Ubicación del compresor de aire

- Ubicar el compresor de aire en un lugar limpio, seco y bien ventilado.
- El compresor de aire debe colocarse alejado por lo menos 30,5 cm (12") de las paredes o de cualquier otra obstrucción que interfiera con el flujo de aire.
- La bomba del compresor de aire y su casco han sido diseñados para permitir un enfriamiento adecuado. Las aberturas de ventilación del compresor son necesarias para el mantenimiento de una temperatura adecuada de funcionamiento. No coloque trapos o contenedores, encima, ni en las proximidades de dichas aberturas.

Instrucciones para conectar a tierra (Fig. A)



ADVERTENCIA: Riesgo de choque eléctrico. Ante la eventualidad de un cortocircuito, la conexión a tierra reduce el riesgo de electrocución proveyendo un conductor de escape para la corriente eléctrica. Este compresor de aire debe estar adecuadamente conectado a tierra.

El compresor portátil de aire está equipado con un cable con un conductor y un enchufe adecuado para conexión a tierra ①.

1. El cable de esta unidad tiene un enchufe ① de 3 espigas para conexión a tierra ② que DEBE enchufarse en un

tomacorriente conectado a tierra 3.

IMPORTANTE: El tomacorriente que se use debe estar conectado a tierra conforme a todos los códigos y ordenanzas locales.

2. Asegúrese que el tomacorriente tenga la misma configuración que el enchufe de conexión a tierra. NO UTILICE UN ADAPTADOR. Vea la Figura A.
3. Inspeccione el enchufe y su cordón antes de cada uso. No lo use si existieran signos de daños.
4. Si las instrucciones de conexión a tierra no fueran completamente comprendidas, o si se estuviera ante la duda acerca de que el compresor estuviese adecuadamente conectado a tierra, haga verificar la instalación por un electricista competente.



PELIGRO: Riesgo de choque eléctrico. LA CONEXIÓN INADECUADA A TIERRA PUEDE CAUSAR UNA DESCARGA ELÉCTRICA.

- **No modifique el enchufe provisto. Si no penetrara en el tomacorriente disponible, un electricista calificado debe instalar uno apropiado.**
- **La reparación del cable o del enchufe DEBE hacerla un electricista calificado.**

Cables de extensión eléctrica

Si - no obstante - debe utilizarse una extensión de cable, asegúrese de que:

- La extensión eléctrica de 3 conductores, tenga un enchufe de conexión a tierra de 3 hojas, y que exista un receptáculo que acepte el enchufe del producto.
- Esté en buenas condiciones.
- No más largo que 15,2 m (50 pies).
- Sea calibre 12 (AWG) o mayor. (La capacidad de los cables se incrementa a medida que su número ordinal decrece. También pueden usarse calibres 10 y 8 AWG. NO USE 14 NI 16 AWG).

AVISO: Riesgo de daño a la propiedad. El uso de cables de extensión eléctrica originará una caída de tensión, lo que determinará una pérdida de potencia del motor así como su recalentamiento. En lugar de utilizar un cable de extensión eléctrica, incremente el alcance de la manguera de aire dentro de la zona de trabajo, añadiéndole otro largo de manguera a su extremo. Conecte los largos adicionales de manguera de acuerdo a su necesidad.

Protección del voltaje y del circuito

Acerca del voltaje y la mínima cantidad de circuitos requeridos, refiérase al cuadro de **Especificaciones**.



ADVERTENCIA: Existe riesgo de sobrecalentamiento. Ciertos compresores de aire pueden operarse en un circuito de 15 A, siempre que se cumplan las siguientes condiciones:

- *Que el voltaje suministrado al ramal cumpla con el código eléctrico nacional.*
- *Que el circuito no sea utilizado para alimentar ninguna otra necesidad eléctrica.*

- *Que los cables de extensión cumplan con las especificaciones.*
- *Que el circuito cuente con un disyuntor de 15 amperios o un fusible de acción retardada de 15 amperios.*

NOTA: Si el compresor está conectado a un circuito protegido por fusibles, use sólo fusibles de acción retardada. Los fusibles de acción retardada deben estar marcados con la letra "D" en Canadá y "T" en EE.UU.

Si cualquiera de las condiciones enumeradas no pudiese cumplirse, o si el funcionamiento del compresor causara interrupciones reiteradas en el suministro eléctrico, podría ser necesario operarlo en un circuito de 20 amperios. Para ello no será necesario cambiar su cable de alimentación.

OPERACIÓN



ADVERTENCIA: Para reducir el riesgo de lesiones personales graves, apague la herramienta y desconéctela de la fuente de alimentación antes de realizar ajustes o de retirar/instalar dispositivos o accesorios. Un arranque accidental podría causar lesiones.



ADVERTENCIA: La unidad arranca automáticamente cuando está conectada. Al hacer el mantenimiento puede quedar expuesto a fuentes de voltaje, de aire comprimido o a piezas móviles que pueden causar lesiones personales. Antes de intentar hacerle cualquier mantenimiento, desconecte el compresor del suministro eléctrico y drénele toda la presión de aire.

Conozca su compresor de aire

LEA ESTE MANUAL DEL PROPIETARIO Y SUS NORMAS DE SEGURIDAD ANTES DE OPERAR LA UNIDAD. Compare las ilustraciones contra su unidad a fin de familiarizarse con la ubicación de los distintos controles y regulaciones. Conserve este manual para referencias futuras.

Descripción de operaciones (Fig. A)

Familiarícese con estos controles antes de operar la unidad.

Interruptor Encendido (I) / Apagado (O) [On (I)/Off (O)]:

Para que el interruptor de presión 4 se encierre automáticamente, coloque el interruptor en (I) y en (O) para desenergizarlo al final de cada uso.

Interruptor de presión (no mostrado): El interruptor de presión permite el arranque automático del motor cuando la presión del tanque disminuye a la presión de arranque regulada en fábrica. El motor se detendrá cuando la presión del tanque alcance la "presión de corte" regulada en fábrica.

Válvula de seguridad: Si el interruptor de presión dejara de cortar el suministro de presión del compresor conforme a los valores prefijados para la "presión de corte", la válvula de seguridad 8 protegerá contra la presión elevada, "abriéndose" a la presión prefijada (ligeramente superior a la "presión de corte").

Manómetro de la presión del tanque: El manómetro que controla la presión del tanque **5** indica la reserva de presión del tanque de aire.

Manómetro para controlar la presión de salida: Este manómetro indicará la presión de aire disponible a la salida **9** del regulador. Esta presión está controlada por el regulador y siempre es menor o igual que la presión del tanque.

Regulador: Controla la presión de aire indicada en la salida del medidor de presión. Gire la perilla del regulador **7** en el sentido del reloj para aumentar la presión y contra el sentido del reloj para reducirla.

Sistema de enfriamiento (no mostrado): Este compresor contiene un sistema de enfriamiento de avanzada. El núcleo de este sistema de enfriamiento contiene un ventilador diseñado especialmente. Es normal que este ventilador sople grandes cantidades de aire por los orificios de ventilación. Usted sabrá que el sistema de enfriamiento funciona adecuadamente cuando perciba que sale aire.

Bomba de compresión del aire (no mostrada):

Comprime el aire dentro del tanque. El aire de trabajo no se encuentra disponible hasta que el compresor haya alcanzado a llenar el tanque hasta un nivel de presión por encima del requerido para la salida del aire.

Válvula de drenaje: La válvula de drenaje **10** se encuentra ubicada en la base del tanque de aire y se usa para drenar la condensación al fin de cada uso.

Válvula de retención (no mostrada): Cuando el compresor de aire se encuentra funcionando, la válvula de retención está "abierta", permitiendo la entrada del aire comprimido al tanque de aire. Cuando el nivel de presión del tanque alcanza la "presión de corte", la válvula de retención "se cierra", reteniendo la presión del aire dentro del tanque.

Protector de sobrecalentamiento del motor (no mostrado): El motor tiene un reposicionado automático para la protección térmica. Si por cualquier razón el motor se recalienta, el protector por sobrecalentamiento lo detendrá. El motor deberá dejarse enfriar antes de volver a ponerlo en marcha. El compresor arrancará automáticamente luego que el motor se enfríe.

1. Coloque la palanca On/Off en la posición "Off" y desenchufe la unidad.
2. Espere que el motor se enfríe.
3. Enchufe el cable eléctrico en el receptáculo apropiado del circuito de derivación.
4. Coloque la palanca On/Off en la posición "On".

Conexión rápida: El conexión rápida **6** acepta los Industrial estilos más enchufes de conexión rápid. Los dos conectores rápidos permiten la utilización de dos herramientas al mismo tiempo.

Cómo utilizar su unidad (Fig. A, B)

Cómo detenerla

1. Coloque la posición de la llave interruptora On/Off **4** en la posición "Off".

2. Desenchufe la unidad de la toma de corriente cuando no esté en uso.

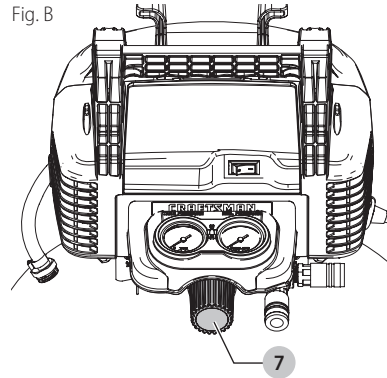
Antes de poner en marcha

⚠ ADVERTENCIA: No opere esta unidad hasta que haya leído y comprendido este manual de instrucciones de seguridad, operación y mantenimiento.

Antes de cada puesta en marcha

1. Coloque la posición de la llave interruptora On/Off **4** en la posición "Off".
2. Enchufe el cable de alimentación en el tomacorriente del ramal del circuito correcto. (Referirse al párrafo **Protección del voltaje y del circuito** en la sección **Instalación** de este manual).
3. Gire la perilla del regulador **7** en sentido contrario a las agujas del reloj hasta que esté completamente cerrada. Asegúrese de que el manómetro regulado marque 0 kPa (0 PSI).

Fig. B



4. Conecte la manguera y los accesorios.
5. Asegúrese de que todos los cubiertas y etiquetas estén en su lugar, sean legibles (en el caso de las etiquetas) y estén montados en forma segura. No utilice el compresor hasta que no haya verificado todos los puntos.

⚠ ADVERTENCIA: Riesgo de operación insegura. Sostenga la manguera firmemente con las manos al instalarla o desconectarla para evitar la desconexión repentina de la manguera.

⚠ ADVERTENCIA: Riesgo de operación insegura. No utilice los accesorios dañados o usados.

NOTA: La unidad está equipada con conexiones rápidas **6**. La manguera o accesorio que se conecta requerirá un tapón de conexión rápida.

⚠ ADVERTENCIA: Riesgo de Explosión. Demasiada presión de aire podrá ser la causa de riesgo de explosión. Verifique los valores de máxima presión dados por el fabricante de las herramientas neumáticas y los accesorios. La presión de salida del regulador jamás debe exceder los valores de máxima presión especificados.

AVISO: Riesgo de daño a la propiedad. El aire comprimido de la unidad puede contener condensación de agua y emanación de aceite. No pulverice aire no filtrado sobre un artículo que podría dañarse con la humedad. Algunos dispositivos o herramientas neumáticas pueden requerir aire filtrado. Lea las instrucciones del dispositivo o la herramienta neumática.

Cómo poner en marcha

1. Coloque la posición de la llave interruptora On/Off 4 en la posición "Off" y deje que se incremente la presión del tanque. El motor se detendrá una vez alcanzado el valor de "presión de corte" del tanque.
2. Gire la perilla del regulador 7 en el sentido del reloj para aumentar la presión y deténgase al alcanzar la presión deseada.

! **ADVERTENCIA: Riesgo de operación insegura.** Si observa algún ruido o vibración inusuales, apague el compresor y contacte a un técnico calificado en servicio.

Ahora el compresor está listo para usarse.

MANTENIMIENTO

! **ADVERTENCIA: Para reducir el riesgo de lesiones personales graves, apague la herramienta y desconéctela de la fuente de alimentación antes de realizar ajustes o de retirar/instalar dispositivos o accesorios.** Un arranque accidental podría causar lesiones.

! **ADVERTENCIA: La unidad arranca automáticamente cuando está conectada. Al hacer el mantenimiento puede quedar expuesto a fuentes de voltaje, de aire comprimido o a piezas movibles que pueden causar lesiones personales. Antes de intentar hacerle cualquier mantenimiento, desconecte el compresor del suministro eléctrico y drénele toda la presión de aire.**

Responsabilidades del cliente

	Antes de cada uso	Diariamente o luego de cada uso	Remítase a la etiqueta de advertencia del tanque
Verifique la válvula de seguridad	X		
Drenaje del tanque		X	
El tanque debe ser dado de baja			X ¹

¹ - Para mayor información, llame a nuestro Centro de Atención al Cliente al 1-888-331-4569.

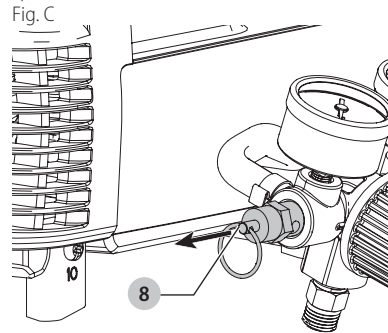
NOTA: Vea en la sección **Operación** la ubicación de los controles.

Cómo verificar la válvula de seguridad (Fig. C)

! **ADVERTENCIA: Riesgo de Explosión.** Si la válvula de seguridad no trabaja adecuadamente, ello podrá determinar la sobrepresión del tanque, creando el riesgo de su ruptura o explosión.

! **ADVERTENCIA: Riesgo de objetos despididos.** Utilice siempre equipo de seguridad certificado: anteojos de seguridad ANSI Z87.1 (CAN/CSA Z94.3) con protección lateral.

Antes de poner en marcha el motor, tire del anillo de la válvula de seguridad 8 para confirmar que opera libremente. Si la válvula quedase trabada o no trabajara suavemente, debe reemplazarse por el mismo tipo de rdar el compresor de aire.



Cómo drenar el tanque (Fig. A, D)

! **ADVERTENCIA: Riesgo de operación insegura.** Los tanques de aire contienen aire de alta presión. Mantenga la cara y otras partes del cuerpo lejos de la salida del drenaje. Utilice anteojos de seguridad [ANSI Z87.1 (CAN/CSA Z94.3)], ya que al drenar se pueden desprender residuos hacia la cara.

! **ADVERTENCIA: Riesgo de ruido excesivo.** Utilice siempre protección auditiva apropiada al usar esta herramienta. Bajo algunas condiciones y duraciones de uso, el ruido producido por este producto puede contribuir a la pérdida auditiva.

NOTA: Todos los sistemas de aire comprimido generan condensación que se acumula en cualquier punto de drenaje (por ejemplo, tanques, filtro, posenfriadores, secadores). Esta condensación contiene aceite lubricante y/o sustancias que pueden estar reguladas y que se deben desechar conforme a las leyes y reglamentaciones locales, estatales y federales.

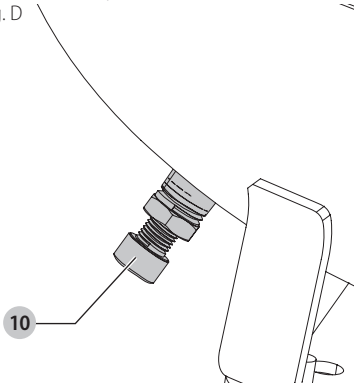
! **ADVERTENCIA: Riesgo de Explosión.** Dentro del tanque se producirá condensación de agua. Si no drena, el agua lo corroerá y debilitará causando un riesgo de ruptura del tanque de aire.

AVISO: Riesgo de daño a la propiedad. Drene el agua del tanque de aire puede contener aceite y óxido, lo que puede provocar manchas.

ESPAÑOL

1. Coloque la posición de la llave interruptora On/Off **4** en la posición "Off".
2. Gire la perilla del regulador **7** contra el sentido del reloj para regular la presión de la salida a cero.
3. Remueva la herramienta neumática o el accesorio.
4. Coloque un contenedor adecuado debajo de la válvula de drenaje para contener la descarga.
5. Tire del aro de la válvula de seguridad **8** dejando purgar el aire del tanque hasta que este reduzca su presión aproximadamente a 20 psi. Suelte el aro de la válvula de seguridad.
6. Drene el agua contenida en el tanque de aire, abriendo la válvula de drenaje **10** (sentido antihorario) ubicada en la base del tanque.

Fig. D



7. Una vez drenada el agua, cierre la válvula de drenaje (sentido horario). Ahora el compresor de aire podrá ser guardado.

NOTA: Si la válvula está obstruida, libere toda la presión de aire del tanque. Así podrá quitar, limpiar y volver a instalar la válvula.

Limpieza



ADVERTENCIA: Sople la suciedad y el polvo de todos los conductos de ventilación con aire seco, al menos una vez por semana. Para reducir el riesgo de lesiones, utilice siempre protección para los ojos aprobada ANSI Z87.1 al realizar esta tarea.



ADVERTENCIA: Nunca utilice solventes ni otros químicos abrasivos para limpiar las piezas no metálicas de la herramienta. Estos productos químicos pueden debilitar los materiales plásticos utilizados en estas piezas. Utilice un paño humedecido sólo con agua y jabón neutro. Nunca permita que penetre líquido dentro de la herramienta ni sumerja ninguna de las piezas en un líquido.

Reparaciones



ADVERTENCIA: Para asegurar la **SEGURIDAD** y la **CONFIABILIDAD** del producto, las reparaciones, el mantenimiento y los ajustes (inclusive la inspección y el cambio de las escobillas, cuando proceda) deben ser realizados en un centro de mantenimiento autorizado. Utilice siempre piezas de repuesto idénticas.



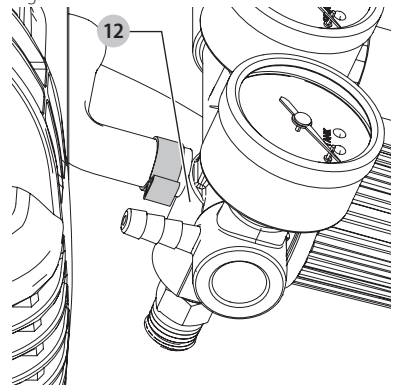
ADVERTENCIA: Riesgo de Operación Insegura. La unidad arranca automáticamente cuando está enchufada. Al hacer el mantenimiento, el operador puede quedar expuesto a fuentes de corriente y de aire comprimido o a piezas móviles. Antes de intentar hacer reparaciones, desconectar el compresor del tomacorriente, drenar la presión de aire del tanque y esperar a que el compresor se enfríe.

Para reemplazar el regulador (Fig. A, E)

1. Drene la presión del tanque de aire. Vea las instrucciones para el **Drenaje del tanque** de aire en la sección **Mantenimiento**.
2. Desenchufe la unidad.
3. Extraiga el cubierta de la consola **14**.
4. Usando una llave de tuercas regulable, saque la válvula de seguridad **8** del regulador del múltiple **7**.
5. Saque la manguera quitándole la abrazadera **12**.

NOTA: La abrazadera no es reutilizable; debe comprar otra nueva.

Fig. E



6. Quite los tres tornillos de montaje de la bomba **15** que sujetan la bomba.
7. Levante la bomba cuidadosamente de los soportes y retírela del camino.
8. Usando una llave de tuercas regulable o una de saque el múltiple del regulador **7**.
9. Aplique sellador para tuberías en el nuevo múltiple del regulador y ensamble ajustando con la llave.

- Vuelva a aplicar sellador para tuberías a la válvula de seguridad.
- Re-ensamble todos los componentes en orden inverso al que se sacaron. Asegúrese de orientar los medidores correctamente para que puedan leerse y ajuste todos los componentes con las llaves.

Almacenaje

Antes de guardar su compresor de aire, asegúrese de hacer lo siguiente:

- Revise la sección **Mantenimiento** de las páginas precedentes y ejecute el mantenimiento programado de acuerdo a la necesidad.
- Drene el agua contenida en el tanque de aire. Consulte el punto **Cómo drenar el tanque** en la sección **Mantenimiento**.



ADVERTENCIA: Riesgo de Explosión. El agua se condensa dentro del tanque de aire. Si no se drena, lo corroerá debilitando la paredes del tanque de aire, originando un riesgo de ruptura de sus paredes.

- Proteja el cable eléctrico y las mangueras de aire de daños (tales como ser pisoteados o pasados por encima). Enróllelos las mangueras de aire en forma florja, alrededor de la manija del compresor. Enrolle el cable eléctrico alrededor del enrollador de cable.
- Almacene el compresor de aire en un sitio limpio y seco.

Accesorios



ADVERTENCIA: Debido a que no se han probado con este producto otros accesorios que no sean los que ofrece CRAFTSMAN, el uso de dichos accesorios con esta herramienta podría ser peligroso. Para reducir el riesgo de lesiones, con este producto deben usarse sólo los accesorios recomendados por CRAFTSMAN.

Los accesorios que se recomiendan para utilizar con la herramienta están disponibles a un costo adicional en su distribuidor local o en un centro de mantenimiento autorizado. Si necesita ayuda para localizar algún accesorio, póngase en contacto con Craftsman Tool Co., 701 East Joppa Road, Towson, MD 21286, llame al **1-888-331-4569** o visite nuestro sitio web: www.craftsman.com/registration.

Para reparación y servicio de sus herramientas eléctricas, favor de dirigirse al Centro de Servicio más cercano

CULIACAN, SIN

Blvd. Emiliano Zapata 5400-1 Poniente Col. (667) 717 89 99 San Rafael

GUADALAJARA, JAL

Av. La Paz #1779 - Col. Americana Sector (33) 3825 6978 Juárez

MEXICO, D.F.

Eje Central Lázaro Cárdenas No. 18 - Local (55) 5588 9377 D, Col. Obrera

MERIDA, YUC

Calle 63 #459-A - Col. Centro (999) 928 5038

MONTERREY, N.L.

Av. Francisco I. Madero 831 Poniente - Col. (818) 375 23 13 Centro

PUEBLA, PUE

17 Norte #205 - Col. Centro (222) 246 3714

QUERETARO, QRO

Av. San Roque 274 - Col. San Gregorio (442) 2 17 63 14

SAN LUIS POTOSI, SLP

Av. Universidad 1525 - Col. San Luis (444) 814 2383

TORREON, COAH

Blvd. Independencia, 96 Pte. - Col. Centro (871) 716 5265

VERACRUZ, VER

Prolongación Díaz Mirón #4280 - Col. (229) 921 7016 Remes

VILLAHERMOSA, TAB

Constitución 516-A - Col. Centro (993) 312 5111

PARA OTRAS LOCALIDADES:

Si se encuentra en México, por favor llame al (55) 5326 7100

Si se encuentra en U.S., por favor llame al 1-888-331-4569

Póliza de Garantía

IDENTIFICACIÓN DEL PRODUCTO:

Sello o firma del Distribuidor.

Nombre del producto: _____

Mod./Cat.: _____

Marca: _____

Núm. de serie: _____

(Datos para ser llenados por el distribuidor)

Fecha de compra y/o entrega del producto: _____

Nombre y domicilio del distribuidor donde se adquirió el producto: _____

Este producto está garantizado por un año a partir de la fecha de entrega, contra cualquier defecto en su funcionamiento, así como en materiales y mano de obra empleados para su fabricación. Nuestra garantía incluye la reparación o reposición del producto y/o componentes sin cargo alguno para el cliente, incluyendo mano de obra, así como los gastos de transportación razonablemente erogados derivados del cumplimiento de este certificado.

Para hacer efectiva esta garantía deberá presentar su herramienta y esta póliza sellada por el establecimiento comercial donde se adquirió el producto, de no contar con ésta, bastará la factura de compra.

Excepciones

Esta garantía no será válida en los siguientes casos:

- *Cuando el producto se hubiese utilizado en condiciones distintas a las normales;*
- *Cuando el producto no hubiese sido operado de acuerdo con el instructivo de uso que se acompaña;*
- *Cuando el producto hubiese sido alterado o reparado por personas distintas a las enlistadas al final de este certificado.*

Anexo encontrará una relación de sucursales de servicio de fábrica, centros de servicio autorizados y franquiciados en la República Mexicana, donde podrá hacer efectiva su garantía y adquirir partes, refacciones y accesorios originales.

Solamente para propósito de México:

Importado por: Craftsman. Tool Co. S.A. de C.V.
Avenida Antonio Dovali Jaime, # 70 Torre B Piso 9
Colonia La Fe, Santa Fé
Código Postal : 01210
Delegación Alvaro Obregón
México D.F.
Tel. (52) 555-326-7100
R.F.C.: BDE810626-1W7

Registro en línea

Gracias por su compra. Registre su producto ahora para:

- **SERVICIO EN GARANTÍA:** Si completa esta tarjeta, podrá obtener un servicio en garantía más eficiente, en caso de que exista un problema con su producto.
- **CONFIRMACIÓN DE PROPIEDAD:** En caso de una pérdida que cubra el seguro, como un incendio, una inundación o un robo, el registro de propiedad servirá como comprobante de compra.
- **PARA SU SEGURIDAD:** Si registra el producto, podremos comunicarnos con usted en el caso improbable que se deba enviar una notificación de seguridad conforme a la Federal Consumer Safety Act (Ley Federal de Seguridad de Productos para el Consumidor).

Registro en línea en www.craftsman.com/registration.

Garantía limitada de un año

CRAFTSMAN reparará o reemplazará, sin cargo, cualquier defecto debido a materiales o mano de obra defectuosos por un año desde la fecha de compra. Esta garantía no cubre falla de partes debido al desgaste normal o abuso de la herramienta. Para detalles adicionales de la cobertura de la garantía e información de reparación de garantía, visite www.craftsman.com o llame al **1-888-331-4569**.

Esta garantía no se aplica a accesorios o daño causado cuando otros hayan realizado o intentado reparaciones. ESTA GARANTÍA LIMITADA SE OTORGA EN LUGAR DE TODAS LAS DEMÁS, INCLUIDA LA GARANTÍA IMPLÍCITA DE COMERCIABILIDAD E IDONEIDAD PARA UN PROPÓSITO EN PARTICULAR, Y EXCLUYE TODOS LOS DAÑOS INCIDENTALES O EN CONSECUENCIA. Algunos estados no permiten limitaciones sobre la duración de una garantía implícita o la exclusión o limitación de daños incidentales o en

consecuencia, por lo que estas limitaciones pueden no aplicarse en su caso. Esta garantía le da derechos legales específicos y puede tener otros derechos que varían en ciertos estados o provincias..

GARANTÍA DE REEMBOLSO DE SU DINERO POR 90 DÍAS

Si no está completamente satisfecho con el desempeño de su máquina herramienta o clavadora CRAFTSMAN, cualquiera sea el motivo, podrá devolverlo hasta 90 días de la fecha de compra con su recibo y obtener el reembolso completo de su dinero – sin necesidad de responder a ninguna pregunta.

AMÉRICA LATINA: Esta garantía no se aplica a los productos que se venden en América Latina. Para los productos que se venden en América Latina, debe consultar la información de la garantía específica del país que viene en el empaque, llamar a la compañía local o visitar el sitio Web a fin de obtener esa información.

GUÍA DE DIAGNÓSTICO DE PROBLEMAS



ADVERTENCIA: El desarrollo de reparaciones puede exponer a sitios con corriente viva, partes en movimiento o fuentes de aire comprimido que podrían ocasionar lesiones personales. Antes de intentar reparación alguna, desenchufe el compresor de aire y purgue toda la presión de aire del tanque.

PROBLEMA	CAUSA	CORRECCIÓN
Presión excesiva del tanque - la válvula de seguridad se dispara.	El interruptor de presión no interrumpe al motor cuando el compresor alcanza la presión "de corte"	Mueva la palanca On/Off a la posición "Off", si el equipo no corta, contacte a un técnico calificado para el servicio.
	El interruptor de presión "de corte" esta calibrado demasiado alto.	Contacte a un técnico de servicio calificado.
Las conexiones pierden aire.	Las conexiones de los tubos no están suficientemente ajustadas.	Ajuste las conexiones en las que el aire puede ser escuchado escapándose. Verifique las conexiones con solución jabonosa y agua. No sobreajuste.
Pérdida de aire en el tanque de aire o en las soldaduras del tanque de aire.	Tanque de aire defectuoso.	El tanque de aire debe ser reemplazado. No repare la pérdida.  ADVERTENCIA: No efectúe perforación alguna sobre la soldadura o cosa semejante sobre el tanque de aire, ello lo debilitará. El tanque podría romperse o explotar.
	Pérdida de aire entre el cabezal y el plato de válvula.	Contacte a un técnico calificado en servicio.
Pérdida de aire en la válvula de seguridad.	Posible defecto en la válvula de seguridad.	Opere la válvula de seguridad manualmente tirando de su anillo. Si la válvula aun pierde, deberá ser reemplazada.
Golpeteo.	Posible defecto en la válvula de seguridad.	Opere la válvula de seguridad manualmente tirando de su anillo. Si la válvula aun pierde, deberá ser reemplazada.
La lectura de la presión sobre un manómetro descende cuando se utiliza un accesorio.	Es normal que ocurra algún descenso en la presión.	Si hubiese una caída excesiva de presión durante el uso del accesorio, ajuste el regulador de Descripción de operaciones de la sección Operación . NOTA: Ajuste la presión regulada bajo condiciones de flujo (mientras se esté usando el accesorio).
El compresor no esta suministrando suficiente cantidad de aire para operar los accesorios.	Excesivo y prolongado uso del aire.	Disminuya la cantidad de uso de aire.
	El compresor no tiene suficiente capacidad para el requerimiento de aire al que está sometido.	Verifique el requerimiento de aire del accesorio. Si es mayor que SCFM o la presión suministrada por su compresor de aire, se necesita un compresor de mayor capacidad.
	Orificio en la manguera.	Verifique y reemplace si fuese necesario.
	Válvula reguladora restringida.	Contacte a un técnico de servicio calificado.
El regulador tiene una fuga continua de aire.	Pérdida de aire.	Ajuste las conexiones.
El regulador no cierra la salida del aire.	Regulador dañado.	Reemplace.
El motor no funciona.	Regulador dañado.	Reemplace.
	Fusible fundido; interruptor automático del circuito disparado.	Verifique la caja de fusibles observando la existencia de fusibles fundidos y sustitúyalos en caso de necesidad. Restablezca el interruptor automático. No use un fusible o interruptor automático con valores que excedan los especificados para la rama de su circuito. Verifique el uso del fusible adecuado. Debe usarse un fusible de acción retardada. Verifique la existencia de problemas con el bajo voltaje. Verifique la extensión del conductor eléctrico.
	El cable de extensión eléctrica tiene una longitud o calibre erróneo.	Desconecte los otros artefactos eléctricos del circuito u opere el compresor en su ramal de circuito correspondiente. Verifique la extensión del conductor eléctrico.
	Conexiones eléctricas sueltas.	Verifique la conexión en la caja terminal.
	Falla el motor.	Haga verificar por un técnico de servicio calificado.
Se activó el interruptor de sobrecarga del motor	Consulte Protector de sobrecalentamiento del motor en la sección Operación . Si la protección de la sobrecarga del motor dispara con frecuencia, comuníquese con un técnico de servicio calificado.	

Craftsman,
701 East Joppa Road,
Towson, MD 21286
Copyright © 2018