

# CRAFTSMAN®

INSTRUCTION MANUAL | GUIDE D'UTILISATION | MANUAL DE INSTRUCCIONES

**7.0 Amp 1/2" (13 mm) Hammer Drill**  
**Marteau perforateur de 7,0 A, 13 mm (1/2 po)**  
**Taladro percutor de 13 mm (1/2") y 7,0 amperios**

**CMED741**



IF YOU HAVE QUESTIONS OR COMMENTS, CONTACT US.  
POUR TOUTE QUESTION OU TOUT COMMENTAIRE, NOUS CONTACTER.  
SI TIENE DUDAS O COMENTARIOS, CONTÁCTENOS.

**1-888-331-4569**

**WWW.CRAFTSMAN.COM**

---

English (***original instructions***)

1

---

Français (*traduction de la notice d'instructions originale*)

9

---

Español (*traducido de las instrucciones originales*)

18

---

## Definitions: Safety Alert Symbols and Words

This instruction manual uses the following safety alert symbols and words to alert you to hazardous situations and your risk of personal injury or property damage.



**DANGER:** Indicates an imminently hazardous situation which, if not avoided, **will** result in **death or serious injury**.



**WARNING:** Indicates a potentially hazardous situation which, if not avoided, **could** result in **death or serious injury**.



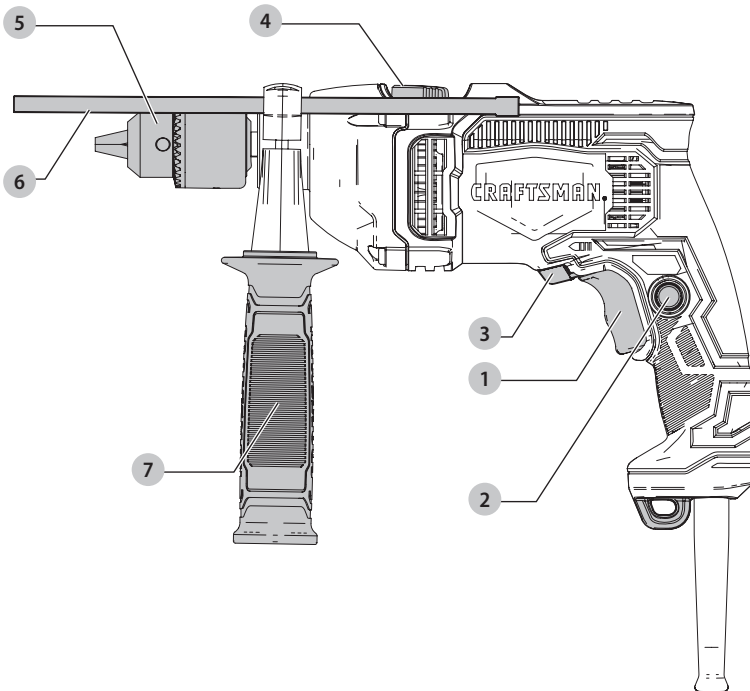
**CAUTION:** Indicates a potentially hazardous situation which, if not avoided, **may** result in **minor or moderate injury**.



(Used without word) Indicates a safety related message.

**NOTICE:** Indicates a practice **not related to personal injury** which, if not avoided, **may** result in **property damage**.

Fig. A



### COMPONENTS

- 1 Variable speed switch
- 2 Lock-on button
- 3 Forward/reverse lever
- 4 Drilling mode selector
- 5 Chuck
- 6 Depth stop rod
- 7 Side handle



**WARNING:** Read all safety warnings and all instructions. Failure to follow the warnings and instructions may result in electric shock, fire and/or serious injury.



**WARNING:** Never modify the product or any part of it. Damage or personal injury could result.



**WARNING:** To reduce the risk of injury, read the instruction manual.

If you have any questions or comments about this or any product, call CRAFTSMAN toll free at:  
1-888-331-4569.

## 7.0 Amp 1/2" (13 mm) Hammer Drill CMED741

### GENERAL POWER TOOL SAFETY WARNINGS



**WARNING:** Read all safety warnings, instructions, illustrations and specifications provided with this power tool. Failure to follow all instructions listed below may result in electric shock, fire and/or serious injury.

#### SAVE ALL WARNINGS AND INSTRUCTIONS FOR FUTURE REFERENCE

The term "power tool" in the warnings refers to your mains-operated (corded) power tool or battery-operated (cordless) power tool.

#### 1) Work Area Safety

- a) **Keep work area clean and well lit.** Cluttered or dark areas invite accidents.
- b) **Do not operate power tools in explosive atmospheres, such as in the presence of flammable liquids, gases or dust.** Power tools create sparks which may ignite the dust or fumes.
- c) **Keep children and bystanders away while operating a power tool.** Distractions can cause you to lose control.

#### 2) Electrical Safety

- a) **Power tool plugs must match the outlet. Never modify the plug in any way. Do not use any adapter plugs with earthed (grounded) power tools.** Unmodified plugs and matching outlets will reduce risk of electric shock.
- b) **Avoid body contact with earthed or grounded surfaces such as pipes, radiators, ranges and refrigerators.** There is an increased risk of electric shock if your body is earthed or grounded.
- c) **Do not expose power tools to rain or wet conditions.** Water entering a power tool will increase the risk of electric shock.
- d) **Do not abuse the cord. Never use the cord for carrying, pulling or unplugging the power tool. Keep cord away from heat, oil, sharp edges or moving parts.** Damaged or entangled cords increase the risk of electric shock.
- e) **When operating a power tool outdoors, use an extension cord suitable for outdoor use.** Use of a cord suitable for outdoor use reduces the risk of electric shock.
- f) **If operating a power tool in a damp location is unavoidable, use a ground fault circuit interrupter (GFCI) protected supply.** Use of a GFCI reduces the risk of electric shock.

#### 3) Personal Safety

- a) **Stay alert, watch what you are doing and use common sense when operating a power tool. Do not use a power tool while you are tired or under**

**the influence of drugs, alcohol or medication.** A moment of inattention while operating power tools may result in serious personal injury.

- b) **Use personal protective equipment. Always wear eye protection.** Protective equipment such as dust mask, non-skid safety shoes, hard hat, or hearing protection used for appropriate conditions will reduce personal injuries.
- c) **Prevent unintentional starting. Ensure the switch is in the off position before connecting to power source and/or battery pack, picking up or carrying the tool.** Carrying power tools with your finger on the switch or energizing power tools that have the switch on invites accidents.
- d) **Remove any adjusting key or wrench before turning the power tool on.** A wrench or a key left attached to a rotating part of the power tool may result in personal injury.
- e) **Do not overreach. Keep proper footing and balance at all times.** This enables better control of the power tool in unexpected situations.
- f) **Dress properly. Do not wear loose clothing or jewelry. Keep your hair, clothing and gloves away from moving parts.** Loose clothes, jewelry or long hair can be caught in moving parts.
- g) **If devices are provided for the connection of dust extraction and collection facilities, ensure these are connected and properly used.** Use of dust collection can reduce dust-related hazards.
- h) **Do not let familiarity gained from frequent use of tools allow you to become complacent and ignore tool safety principles.** A careless action can cause severe injury within a fraction of a second.

#### 4) Power Tool Use and Care


- a) **Do not force the power tool. Use the correct power tool for your application.** The correct power tool will do the job better and safer at the rate for which it was designed.
- b) **Do not use the power tool if the switch does not turn it on and off.** Any power tool that cannot be controlled with the switch is dangerous and must be repaired.
- c) **Disconnect the plug from the power source and/or remove the battery, pack if detachable, from the power tool before making any adjustments, changing accessories, or storing power tools.** Such preventive safety measures reduce the risk of starting the power tool accidentally.
- d) **Store idle power tools out of the reach of children and do not allow persons unfamiliar with the power tool or these instructions to operate the power tool.** Power tools are dangerous in the hands of untrained users.

- e) **Maintain power tools and accessories. Check for misalignment or binding of moving parts, breakage of parts and any other condition that may affect the power tool's operation. If damaged, have the power tool repaired before use.** Many accidents are caused by poorly maintained power tools.
- f) **Keep cutting tools sharp and clean.** Properly maintained cutting tools with sharp cutting edges are less likely to bind and are easier to control.
- g) **Use the power tool, accessories and tool bits, etc. in accordance with these instructions, taking into account the working conditions and the work to be performed.** Use of the power tool for operations different from those intended could result in a hazardous situation.
- h) **Keep handles and grasping surfaces dry, clean and free from oil and grease.** Slippery handles and grasping surfaces do not allow for safe handling and control of the tool in unexpected situations.

## 5) Service

- a) **Have your power tool serviced by a qualified repair person using only identical replacement parts.** This will ensure that the safety of the power tool is maintained.

## Hammer Drill Safety Warnings

- **Hold power tool by insulated gripping surfaces when performing an operation where the cutting accessory may contact hidden wiring or its own cord.** Cutting accessory contacting a "live" wire may make exposed metal parts of the power tool "live" and could give the operator an electric shock.
  - **Wear ear protectors with impact drills.** Exposure to noise can cause hearing loss.
  - **Use auxiliary handle(s), if supplied with the tool.** Loss of control can cause personal injury.
  - **Use clamps or another practical way to secure and support the work piece to a stable platform.** Holding the work by hand or against your body leaves it unstable and may lead to loss of control.
  - **Do not operate this tool for long periods of time.** Vibration caused by the operating action of this tool may cause permanent injury to fingers, hands, and arms. Use gloves to provide extra cushion, take frequent rest periods, and limit daily time of use.
  - **Hammer bits and tools get hot during operation.** Wear gloves when touching them.
-  **WARNING:** Shock hazard. When drilling or driving into walls, floors or wherever live electrical wires may be encountered, **DO NOT TOUCH ANY METAL PARTS OF THE TOOL!** Hold the tool only by the plastic handle(s) / housing to prevent shock.
- **Do not lock the tool ON when drilling by hand.**

- **Hold drill firmly with both hands to control the twisting action of the drill.** If your drill is equipped with a side handle, always use the side handle.



**WARNING:** Drill may stall (if overloaded or improperly used) causing a twist. Always expect the stall. Grip the drill firmly to control the twisting action and prevent loss of control which could cause personal injury. If a stall does occur, release the trigger immediately and determine the reason for the stall before re-starting.

- **Always unplug the drill when attaching or removing accessories.** When attaching accessories in the drill chuck, it is important to securely tighten the chuck using all three holes to prevent slippage. When using a keyless chuck, hand tighten firmly.

## Additional Safety Information



**WARNING: ALWAYS** use safety glasses. Everyday eyeglasses are NOT safety glasses. Also use face or dust mask if cutting operation is dusty. **ALWAYS WEAR CERTIFIED SAFETY EQUIPMENT:**

- ANSI Z87.1 eye protection (CAN/CSA Z94.3),
- ANSI S12.6 (S3.19) hearing protection,
- NIOSH/OSHA/MSHA respiratory protection.



**WARNING:** Some dust created by power sanding, sawing, grinding, drilling, and other construction activities contains chemicals known to the State of California to cause cancer, birth defects or other reproductive harm. Some examples of these chemicals are:

- lead from lead-based paints,
- crystalline silica from bricks and cement and other masonry products, and
- arsenic and chromium from chemically-treated lumber.

Your risk from these exposures varies, depending on how often you do this type of work. To reduce your exposure to these chemicals: work in a well ventilated area, and work with approved safety equipment, such as those dust masks that are specially designed to filter out microscopic particles.

- **Avoid prolonged contact with dust from power sanding, sawing, grinding, drilling, and other construction activities. Wear protective clothing and wash exposed areas with soap and water.** Allowing dust to get into your mouth, eyes, or lay on the skin may promote absorption of harmful chemicals.



**WARNING:** Use of this tool can generate and/or disperse dust, which may cause serious and permanent respiratory or other injury. Always use NIOSH/OSHA approved respiratory protection appropriate for the dust exposure. Direct particles away from face and body.



**WARNING: Always wear proper personal hearing protection that conforms to ANSI S12.6 (S3.19) during use.** Under some conditions and duration of use, noise from this product may contribute to hearing loss.

ENGLISH



**CAUTION:** When not in use, place tool on its side on a stable surface where it will not cause a tripping or falling hazard. Some tools will stand upright but may be easily knocked over.

- **Air vents often cover moving parts and should be avoided.** Loose clothes, jewelry or long hair can be caught in moving parts.
- **An extension cord must have adequate wire size (AWG or American Wire Gauge) for safety.** The smaller the gauge number of the wire, the greater the capacity of the cable, that is, 16 gauge has more capacity than 18 gauge. An undersized cord will cause a drop in line voltage resulting in loss of power and overheating. When using more than one extension to make up the total length, be sure each individual extension contains at least the minimum wire size. The following table shows the correct size to use depending on cord length and nameplate ampere rating. If in doubt, use the next heavier gauge. The lower the gauge number, the heavier the cord.

Minimum Gauge for Cord Sets

Volts		Total Length of Cord in Feet (meters)			
120 V		25 (7.6)	50 (15.2)	100 (30.5)	150 (45.7)
240 V		50 (15.2)	100 (30.5)	200 (61.0)	300 (91.4)
Ampere Rating		American Wire Gauge			
More Than	Not More Than				
0	6	18	16	16	14
6	10	18	16	14	12
10	12	16	16	14	12
12	16	14	12	Not Recommended	

The label on your tool may include the following symbols. The symbols and their definitions are as follows:

V.....volts	or AC/DC...alternating or direct current
Hz.....hertz	.....Class II Construction (double insulated)
min.....minutes	$n_0$ .....no load speed
— — — or DC.....direct current	$n$ .....rated speed
.....Class I Construction (grounded)	.....earthing terminal
.../min.....per minute	.....safety alert symbol
BPM.....beats per minute	.....visible radiation
IPM.....impacts per minute	.....wear respiratory protection
RPM.....revolutions per minute	.....wear eye protection
sfpm.....surface feet per minute	.....wear hearing protection
SPM.....strokes per minute	.....read all documentation
A.....amperes	
W.....watts	
or AC.....alternating current	

SAVE THESE INSTRUCTIONS FOR FUTURE USE

COMPONENTS (FIG. A)

Motor

Be sure your power supply agrees with the nameplate marking. Voltage decrease of more than 10% will cause loss of power and overheating. These tools are factory tested; if this tool does not operate, check power supply.

Intended Use

This hammer drill is designed for professional use.

**DO NOT** use under wet conditions or in presence of flammable liquids or gases.

**DO NOT** let children come into contact with the tool. Supervision is required when inexperienced operators use this tool.

ASSEMBLY AND ADJUSTMENTS



**WARNING:** To reduce the risk of serious personal injury, turn unit off and disconnect it from power source before making any adjustments or removing/installing attachments or accessories. An accidental start-up can cause injury.

Attaching the Side Handle (Fig. B, C)



**WARNING:** To reduce the risk of personal injury, ALWAYS operate the tool with the side handle properly installed and tightened. Failure to do so may result in the side handle slipping during tool operation and subsequent loss of control. Hold tool with both hands to maximize control.

If your drill is equipped with a side handle, it must be installed properly to control the drill.

1. Loosen the grip of the side handle **7** clockwise until you can slide the side handle collar **9** onto the front of the tool as shown.
2. To rotate the side handle into the desired position, loosen the collar **9** by turning the side handle clockwise and then sliding the collar into place.
3. Push the handle rearward until the slots on the lip of the handle are aligned and fully engaged with the tabs on the underside of the gearcase.
4. Insert the depth stop rod **6** into the mounting hole **10**.
5. Set the drilling depth as described under **Setting the Drilling Depth**.
6. Tighten the side handle by turning the grip counterclockwise. Make sure that the side handle is firmly secure and does not slip.

Fig. B

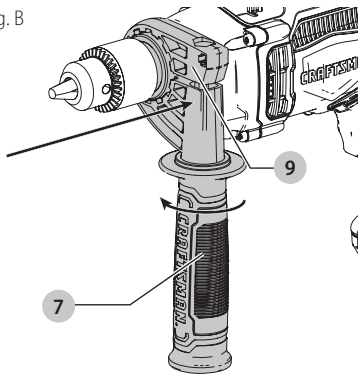


Fig. C

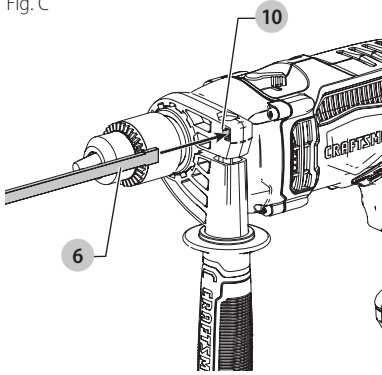
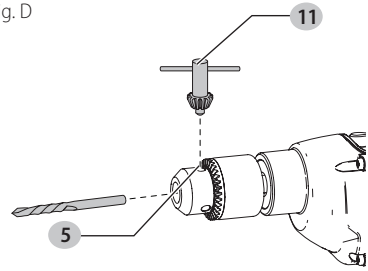


Fig. D



## Inserting a Drill Bit or Other Accessory (Fig. A, D)

**!** **WARNING:** Do not attempt to tighten drill bits (or any other accessory) by gripping the front part of the chuck and turning the tool on. Damage to the chuck and personal injury may occur when changing accessories.

**!** **WARNING:** Always ensure the bit is secure before starting the tool. A loose bit may eject from tool causing possible personal injury.

1. Open the chuck **5** by turning the collar counterclockwise (when viewed from the chuck end).
2. Insert the accessory shaft into the chuck to about 3/4" (19 mm) depth, centered in the jaws.
3. Tighten chuck collar by hand by turning the collar clockwise. Place chuck key **11** into each of the three holes and securely tighten in a clockwise direction.

**NOTE:** Tighten chuck with all three holes to prevent slippage.

## OPERATION

**!** **WARNING:** To reduce the risk of serious personal injury, turn unit off and disconnect it from power source before making any adjustments or removing/installing attachments or accessories. An accidental start-up can cause injury.

**!** **WARNING:** It is important to support the work properly and to hold the drill firmly with both hands to prevent loss of control which could cause personal injury.

**!** **WARNING:** Do not attempt to tighten drill bits (or any other accessory) by gripping the front part of the chuck and turning the tool on. Damage to the chuck and personal injury may occur when changing accessories.

**!** **WARNING:** To reduce the risk of injury, always unplug drill from power supply before making any adjustments or changing accessories.

**!** **WARNING:** To reduce the risk of injury, let the tool work at its own pace. Do not overload.

## Proper Hand Position (Fig. E)

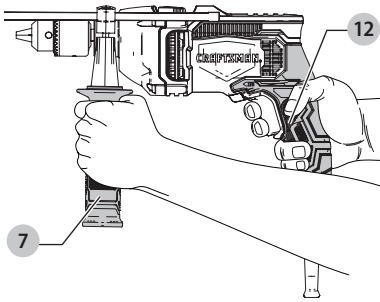
**!** **WARNING:** To reduce the risk of serious personal injury, ALWAYS use proper hand position as shown.

**!** **WARNING:** To reduce the risk of serious personal injury, ALWAYS hold securely in anticipation of a sudden reaction.



**!** **WARNING:** Drill may stall (if overloaded or improperly used) causing a twist. Always expect the stall. Grip the drill firmly with both hands to control the twisting action and prevent loss of control which could cause personal injury. If a stall does occur, release the trigger immediately and determine the reason for the stall before re-starting.

Proper hand position requires one hand on the main handle **12** and one hand on the side handle **7**.

Fig. E




### Selecting the Drilling Mode (Fig. A)

- For drilling in masonry, set the drilling mode selector to the “hammer symbol”  position.
- For drilling in other materials and for fastening, set the drilling mode selector to the “drill symbol”  position.

### Selecting the Direction of Rotation


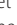
For drilling and for tightening screws, use forward (clockwise) rotation. For loosening screws or removing a jammed drill bit, use reverse (counterclockwise) rotation.

**NOTE:** The direction of rotation is also depicted by an arrow on the overmold of the tool near the forward/reverse lever .


Never change the direction of rotation while the motor is running.

1. To select forward rotation, push the forward/reverse lever to the right (when viewed from the chuck end).
2. To select reverse rotation, push the forward/reverse lever to the left (when viewed from the chuck end).

### Setting the Drilling Depth (Fig. A)

1. Slacken the side handle  by turning the grip clockwise.
2. Set the depth stop rod  to the desired position. The maximum drilling depth is equal to the distance between the tip of the drill bit and the front end of the depth stop rod.
3. Tighten the side handle by turning the grip counterclockwise. Make sure that the side handle is secure and does not slip.

### Variable Speed Trigger Switch (Fig. A)

To turn the tool on, squeeze the trigger switch . To turn the tool off, release the trigger switch. The variable speed switch enables you to select the best speed for a particular application. The more you squeeze the trigger, the faster the tool will operate. Use lower speeds for starting holes without a center punch, drilling in metals or plastics, or driving screws. For maximum tool life, use variable speed only for starting holes or fasteners.

**NOTE:** Continuous use in variable speed range is not recommended. It may damage the switch and should be avoided.

**! WARNING:** The drill should only be locked ON when it is held stationary in a drill press stand or other means; NOT BY HAND! Never unplug the tool with the locking feature engaged. To do so will cause the tool to start immediately the next time it is plugged in.

### Drilling

- Always unplug the drill when attaching or removing accessories. When attaching accessories in the drill chuck, it is important to securely tighten the chuck using all three holes to prevent slippage. When using a keyless chuck, hand tighten firmly.
- Use sharp drill bits only.
- Support and secure work properly, as instructed in the **Hammer Drill Safety Warnings**.
- Use appropriate and required safety equipment, as instructed in the **Hammer Drill Safety Warnings**.
- Secure and maintain work area, as instructed in the **General Power Tool Safety Warnings**.
- Run the drill very slowly, using light pressure, until the hole is started enough to keep the drill bit from slipping out of it.
- Apply pressure in a straight line with the bit. Use enough pressure to keep the bit biting but not so much as to stall the motor or deflect the bit.
- Hold the drill firmly with both hands to control its twisting action. One hand should be placed on the side handle.
- Drills equipped with a side handle must use the side handle.
- If drill stalls, it is usually because it is being overloaded or improperly used. Release trigger immediately, remove drill bit from work, and determine cause of stalling. Do not depress trigger on and off in an attempt to start a stalled drill — this can damage the drill.

**! WARNING:** Drill may stall if overloaded causing a sudden twist. Always expect the stall. Grip the drill firmly to control the twisting action and avoid injury.

- Minimize stalling on breakthrough by reducing pressure and slowly drilling through the last part of the hole.
- Keep the motor running while pulling the bit out of a drilled hole. This will help reduce jamming.

### Drilling in Wood

Holes in wood can be made with the same twist drill bits used for metal or with spade bits. These bits should be sharp and should be pulled out frequently when drilling to clear chips from the flutes.

### Drilling in Metal

Use a cutting lubricant when drilling metals. The exceptions are cast iron and brass which should be drilled dry. The cutting lubricants that work best are sulfurized cutting oil or lard oil.



## Drilling in Masonry (Shift drill into hammer mode if so equipped)

Use carbide tipped masonry bits. Refer to **Drilling** section. Keep even force on the drill but not so much that you crack the brittle material. A smooth, even flow of dust indicates the proper drilling rate.

### MAXIMUM RECOMMENDED CAPACITIES

Volts	120 AC Only
Amps	7.0
RPM	0–3100
BPM	0–52700
Capacity	1–1/4" (32 mm) wood
	1/2" (13 mm) steel
	5/8" (16 mm) concrete

## MAINTENANCE

**WARNING:** To reduce the risk of serious personal injury, turn unit off and disconnect it from power source remove the battery pack before making any adjustments or removing/installing attachments or accessories. An accidental start-up can cause injury.

## Accessories

**WARNING:** Since accessories, other than those offered by CRAFTSMAN, have not been tested with this product, use of such accessories with this tool could be hazardous. To reduce the risk of injury, only CRAFTSMAN recommended accessories should be used with this product.

Recommended accessories for use with your tool are available at extra cost from your local dealer or authorized service center. If you need assistance in locating any accessory, please contact CRAFTSMAN, call **1-888-331-4569**.

### Versatrack™ (Fig. F)

**WARNING:** To reduce the risk of serious personal injury, turn unit off and disconnect it from power source before making any adjustments or removing/installing attachments or accessories. An accidental start-up can cause injury.

**WARNING:** To reduce the risk of serious personal injury, do not use a damaged Versatrack™ peg hook or Versatrack™ Trackwall. A damaged Versatrack™ peg hook or Versatrack™ Trackwall will not support the weight of the tool.

**WARNING:** To reduce the risk of serious personal injury, DO NOT suspend tool overhead or suspend objects from the peg hook. ONLY suspend tool on the Versatrack™ Trackwall using the peg hook.

**WARNING:** Ensure that the tool weight does not exceed the maximum rated weight for the selected Versatrack™ hook.

**WARNING:** When hanging objects on a Versatrack™ Trackwall rail, adequately space the tools in order to not exceed 75 lb (35 kg) per linear foot.

**IMPORTANT:** Versatrack™ accessories mount compatible tools securely to the Versatrack™ Trackwall system.

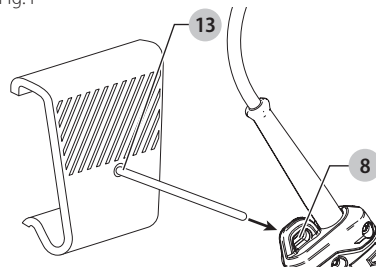
1. Turn tool off, remove accessories, and disconnect it from power source.

**CAUTION:** Any product with exposed cutting teeth must have them covered securely if it is to be on the Versatrack™ Trackwall.

2. Mount the peg hook **13** to the Versatrack™ Trackwall.

3. Slide the peg hook through the loop **8** on the tool.

**NOTE:** Versatrack™ accessories for use with your tool are available at extra cost from your local dealer or authorized service center. If you need assistance in locating any accessory, please contact CRAFTSMAN, call **1-888-331-4569**.  
Fig. F



## Cleaning

**WARNING:** Blow dirt and dust out of all air vents with clean, dry air at least once a week. To minimize the risk of eye injury, always wear ANSI Z87.1 approved eye protection when performing this.

**WARNING:** Never use solvents or other harsh chemicals for cleaning the non-metallic parts of the tool. These chemicals may weaken the plastic materials used in these parts. Use a cloth dampened only with water and mild soap. Never let any liquid get inside the tool; never immerse any part of the tool into a liquid.

## Repairs

**WARNING:** To assure product SAFETY and RELIABILITY, repairs, maintenance and adjustment (including brush inspection and replacement, when applicable) should be performed by a CRAFTSMAN factory service center or a CRAFTSMAN authorized service center. Always use identical replacement parts.

## Register Online

Thank you for your purchase. Register your product now for:

- **WARRANTY SERVICE:** Registering your product will help you obtain more efficient warranty service in case there is a problem with your product.

## ENGLISH

- **CONFIRMATION OF OWNERSHIP:** In case of an insurance loss, such as fire, flood or theft, your registration of ownership will serve as your proof of purchase.
- **FOR YOUR SAFETY:** Registering your product will allow us to contact you in the unlikely event a safety notification is required under the Federal Consumer Safety Act.

Register online at [www.craftsman.com/registration](http://www.craftsman.com/registration)

## Three Year Limited Warranty

CRAFTSMAN will repair or replace, without charge, any defects due to faulty materials or workmanship for three years from the date of purchase. This warranty does not cover part failure due to normal wear or tool abuse. For further detail of warranty coverage and warranty repair information, visit [www.craftsman.com](http://www.craftsman.com) or call **1-888-331-4569**. This warranty does not apply to accessories or damage caused where repairs have been made or attempted by others. THIS LIMITED WARRANTY IS GIVEN IN LIEU OF ALL OTHERS, INCLUDING THE IMPLIED WARRANTY OF MERCHANTABILITY AND FITNESS FOR A PARTICULAR PURPOSE, AND EXCLUDES ALL INCIDENTAL OR CONSEQUENTIAL DAMAGES. Some states do not allow limitations on how long an implied warranty lasts or the exclusion or limitation of incidental or consequential damages, so these limitations may not apply to you. This warranty gives you specific legal rights and you may have other rights which vary in certain states or provinces.

### 90 DAY MONEY BACK GUARANTEE

If you are not completely satisfied with the performance of your CRAFTSMAN Power Tool or Nailer for any reason, you can return it within 90 days from the date of purchase with a receipt for a full refund – no questions asked.

**LATIN AMERICA:** This warranty does not apply to products sold in Latin America. For products sold in Latin America, see country specific warranty information contained in the packaging, call the local company or see website for warranty information.

**FREE WARNING LABEL REPLACEMENT:** If your warning labels become illegible or are missing, call **1-888-331-4569** for a free replacement.

## Définitions : symboles et termes d'alarmes sécurité

Ces guides d'utilisation utilisent les symboles et termes d'alarmes sécurité suivants pour vous prévenir de situations dangereuses et de risques de dommages corporels ou matériels.



**DANGER** : indique une situation dangereuse imminente qui, si elle n'est pas évitée, **entraînera la mort ou des blessures graves**.



**AVERTISSEMENT** : indique une situation potentiellement dangereuse qui, si elle n'est pas évitée, **pourrait entraîner la mort ou des blessures graves**.



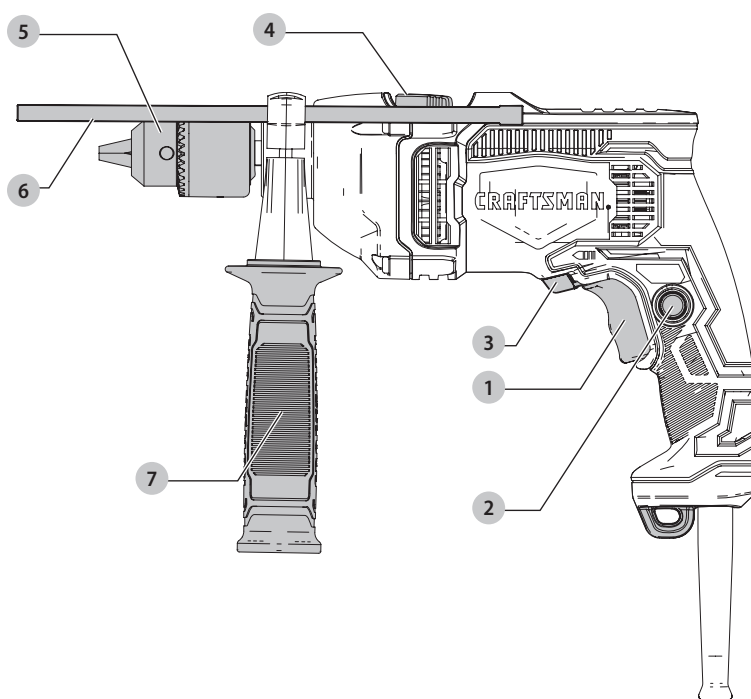
**ATTENTION** : indique une situation potentiellement dangereuse qui, si elle n'est pas évitée, **pourrait entraîner des blessures légères ou modérées**.



(Si utilisé sans aucun terme) Indique un message propre à la sécurité.

**AVIS** : indique une pratique ne posant **aucun risque de dommages corporels** mais qui par contre, si rien n'est fait pour l'éviter, **pourrait poser des risques de dommages matériels**.

Fig. A



### DESCRIPTION

- 1 Détonne à vitesse variable
- 2 Bouton de verrouillage
- 3 Dispositif de glissement avant/arrière
- 4 Sélecteur de mode de travail
- 5 Mandrin
- 6 Butée de profondeur
- 7 Poignée latérale



**AVERTISSEMENT** : lire tous les avertissements de sécurité et toutes les directives. Le non-respect des avertissements et des directives pourrait se solder par un choc électrique, un incendie et/ou une blessure grave.



**AVERTISSEMENT** : ne jamais modifier l'outil électrique ni aucun de ses composants, car il y a des risques de dommages corporels ou matériels.



**AVERTISSEMENT** : afin de réduire le risque de blessures, lire le mode d'emploi de l'outil.

Pour toute question ou remarque au sujet de cet outil ou de tout autre outil CRAFTSMAN composez le numéro sans frais : 1-888-331-4569.

## Marteau perforateur de 7,0 A, 13 mm (1/2 po) CMED741

### AVERTISSEMENTS GÉNÉRAUX SUR LA SÉCURITÉ DES OUTILS



**AVERTISSEMENT** : lisez tous les avertissements de sécurité, toutes les instructions, les illustrations et les caractéristiques fournies avec cet outil électrique. Ne pas suivre toutes les instructions comprises aux présentes peut conduire à un choc électrique, un incendie et/ou des blessures graves.

#### CONSERVER TOUS LES AVERTISSEMENTS ET TOUTES LES DIRECTIVES POUR UN USAGE ULTÉRIEUR

Le terme « outil électrique » cité dans les avertissements se rapporte à votre outil électrique à alimentation sur secteur (avec fil) ou par piles (sans fil).

#### 1) Sécurité du lieu de travail

- Tenir l'aire de travail propre et bien éclairée.**  
Les lieux encombrés ou sombres sont propices aux accidents.
- Ne pas faire fonctionner d'outils électriques dans un milieu déflamant, tel qu'en présence de liquides, de gaz ou de poussières inflammables.**  
Les outils électriques produisent des étincelles qui pourraient enflammer la poussière ou les vapeurs.
- Éloigner les enfants et les personnes à proximité pendant l'utilisation d'un outil électrique.** Une distraction pourrait en faire perdre la maîtrise à l'utilisateur.

#### 2) Sécurité en matière d'électricité

- Les fiches des outils électriques doivent correspondre à la prise. Ne jamais modifier la fiche d'aucune façon. Ne jamais utiliser de fiche d'adaptation avec un outil électrique mis à la terre.** Le risque de choc électrique sera réduit par l'utilisation de fiches non modifiées correspondant à la prise.
- Éviter tout contact physique avec des surfaces mises à la terre comme des tuyaux, des radiateurs, des cuisinières et des réfrigérateurs.** Le risque de choc électrique est plus élevé si votre corps est mis à la terre.
- Ne pas exposer les outils électriques à la pluie ou à l'humidité.** La pénétration de l'eau dans un outil électrique augmente le risque de choc électrique.
- Ne pas utiliser le cordon de façon abusive. Ne jamais utiliser le cordon pour transporter, tirer ou débrancher un outil électrique. Tenir le cordon éloigné de la chaleur, de l'huile, des bords tranchants et des pièces mobiles.** Les cordons endommagés ou enchevêtrés augmentent les risques de choc électrique.

- Pour l'utilisation d'un outil électrique à l'extérieur, se servir d'une rallonge convenant à cette application.** L'utilisation d'une rallonge conçue pour l'extérieur réduira les risques de choc électrique.
- S'il est impossible d'éviter l'utilisation d'un outil électrique dans un endroit humide, brancher l'outil dans une prise ou sur un circuit d'alimentation dotés d'un disjoncteur de fuite à la terre (GFCI).** L'utilisation de ce type de disjoncteur réduit les risques de choc électrique.

#### 3) Sécurité personnelle

- Être vigilant, surveiller le travail effectué et faire preuve de jugement lorsqu'un outil électrique est utilisé. Ne pas utiliser d'outil électrique en cas de fatigue ou sous l'influence de drogues, d'alcool ou de médicaments.** Un simple moment d'inattention en utilisant un outil électrique peut entraîner des blessures corporelles graves.
- Utiliser des équipements de protection individuelle. Toujours porter une protection oculaire.** L'utilisation d'équipements de protection comme un masque antipoussière, des chaussures antidérapantes, un casque de sécurité ou des protecteurs auditifs lorsque la situation le requiert réduira les risques de blessures corporelles.
- Empêcher les démarrages intempestifs. S'assurer que l'interrupteur se trouve à la position d'arrêt avant de relier l'outil à une source d'alimentation et/ou d'insérer un bloc-piles, de ramasser ou de transporter l'outil.** Transporter un outil électrique alors que le doigt repose sur l'interrupteur ou brancher un outil électrique dont l'interrupteur est à la position de marche risque de provoquer un accident.
- Retirer toute clé de réglage ou clé avant de démarrer l'outil.** Une clé ou une clé de réglage attachée à une partie pivotante de l'outil électrique peut provoquer des blessures corporelles.
- Ne pas trop tendre les bras. Conserver son équilibre en tout temps.** Cela permet de mieux maîtriser l'outil électrique dans les situations imprévues.
- S'habiller de manière appropriée. Ne pas porter de vêtements amples ni de bijoux. Garder les cheveux, les vêtements et les gants à l'écart des pièces mobiles.** Les vêtements amples, les bijoux ou les cheveux longs risquent de rester coincés dans les pièces mobiles.
- Si des composants sont fournis pour le raccordement de dispositifs de dépoussiérage et de ramassage, s'assurer que ceux-ci sont bien raccordés et utilisés.** L'utilisation d'un dispositif de dépoussiérage peut réduire les dangers engendrés par les poussières.

- h) **Ne pas laisser votre connaissance acquise suite l'utilisation fréquente des outils vous permettre de baisser la garde et ignorer les principes de sécurité de l'outil.** Un acte irréfléchi peut causer une blessure grave en une fraction de seconde.

#### 4) Utilisation et entretien d'un outil électrique

- a) **Ne pas forcer un outil électrique. Utiliser l'outil électrique approprié à l'application.** L'outil électrique approprié effectuera un meilleur travail, de façon plus sûre et à la vitesse pour laquelle il a été conçu.
- b) **Ne pas utiliser un outil électrique dont l'interrupteur est défectueux.** Tout outil électrique dont l'interrupteur est défectueux est dangereux et doit être réparé.
- c) **Débranchez la fiche de la prise électrique et, si amovible, retirez le bloc-piles de l'outil avant d'effectuer tout ajustement, changement et entreposage de celui-ci.** Ces mesures préventives réduisent les risques de démarrage accidentel de l'outil électrique.
- d) **Ranger les outils électriques hors de la portée des enfants et ne permettre à aucune personne n'étant pas familière avec un outil électrique ou son mode d'emploi d'utiliser cet outil.** Les outils électriques deviennent dangereux entre les mains d'utilisateurs inexpérimentés.
- e) **Gardez les poignées et surfaces d'emprise propres et libres de tout produit lubrifiant. Vérifier si les pièces mobiles sont mal alignées ou coincées, si des pièces sont brisées ou présentent toute autre condition susceptible de nuire au bon fonctionnement de l'outil électrique. En cas de dommage, faire réparer l'outil électrique avant toute nouvelle utilisation.** Beaucoup d'accidents sont causés par des outils électriques mal entretenus.
- f) **S'assurer que les outils de coupe sont aiguisés et propres.** Les outils de coupe bien entretenus et affûtés sont moins susceptibles de se coincer et sont plus faciles à maîtriser.
- g) **Utiliser l'outil électrique, les accessoires, les forêts, etc. conformément aux présentes directives en tenant compte des conditions de travail et du travail à effectuer.** L'utilisation d'un outil électrique pour toute opération autre que celle pour laquelle il a été conçu est dangereuse.
- h) **Garder vos mains et les surfaces de prise sèches, propres et libres de graisse et de poussière.** Les mains et les surfaces de prise glissantes ne permettent pas la manutention et le contrôle sécuritaires de l'outil dans les situations imprévues.

#### 5) Réparation

- a) **Faire réparer l'outil électrique par un réparateur professionnel en n'utilisant que des pièces de rechange identiques.** Cela permettra de

**maintenir une utilisation sécuritaire de l'outil électriques. Ne jamais réparer des blocs-piles endommagés.** La réparation de blocs-piles doit seulement être effectuée par le fabricant ou les fournisseurs de service autorisés.

#### Avertissements de sécurité pour marteau perforateur

- **Tenez l'outil par les surfaces de prise isolées lorsque vous effectuez une tâche où l'outil de coupe peut entrer en contact avec le câblage dissimulé ou son propre câble.** Le contact avec un câble « sous tension » rendra aussi les pièces métalliques de l'outil « sous tension » et pourrait donner un choc électrique à l'utilisateur.
- **Pendant l'utilisation d'une perceuse à percussion, porter une protection auditive.** Le bruit en résultant pourrait occasionner une perte de l'acuité auditive.
- **Utiliser la/les poignée(s) auxiliaire(s) si fournie(s) avec l'outil.** Une perte de contrôle de l'outil pourrait occasionner des dommages corporels.
- **Utiliser des serre-joints, ou tout autre moyen, pour fixer et immobiliser le matériau sur une surface stable.** Tenir la pièce à la main ou contre son corps offre une stabilité insuffisante qui pourrait vous en faire perdre le contrôle.
- **Ne pas utiliser cet outil durant de longues périodes.** La vibration causée par l'action du fonctionnement de cet outil peut causer des blessures permanentes aux doigts, mains et aux bras. Utilisez des gants pour offrir un coussin supplémentaire, prenez des pauses fréquentes et limitez la durée d'utilisation quotidienne.
- **Les mèches des perceuses et les outils deviennent chauds durant l'utilisation.** Portez des gants lorsque vous les touchez.



**AVERTISSEMENT :** danger de choc électrique.

Lorsque vous percez ou enfoncez dans les murs, les planchers ou tout autre endroit où se trouvent des fils électriques sous tension, **NE PAS TOUCHER TOUTE PARTIE EN MÉTAL DE L'OUTIL!** Tenez l'outil seulement par la (les) poignée(s)/le boîtier en plastique afin de prévenir les chocs.

- **Ne pas verrouiller l'outil en marche lorsque vous percez à la main.**
- **Tenez la perceuse avec les deux mains pour contrôler le mouvement de torsion de la perceuse.** Si votre perceuse est munie d'une poignée latérale, utilisez toujours la poignée latérale.



**AVERTISSEMENT :** la perceuse peut bloquer (si surchargée ou mal utilisée) causant une torsion.

Attendez-vous toujours à un blocage. Saisissez solidement la perceuse pour contrôler le mouvement de torsion et prévenir la perte de contrôle qui pourrait causer une blessure corporelle. Si un blocage se produit, relâchez immédiatement la gâchette et déterminez la cause du blocage avant de redémarrer.

- **Débranchez toujours la perceuse lorsque vous fixez ou retirez des accessoires.** Lorsque vous fixez des accessoires dans le mandrin de la perceuse, il est important de bien serrer le mandrin en utilisant les trois trous afin de prévenir le glissement. Lorsque vous utilisez un mandrin sans clé, serrez solidement à la main.

### Consigne de sécurité supplémentaire

**AVERTISSEMENT :** porter **SYSTEMATIQUEMENT** des lunettes de protection. Les lunettes courantes NE sont PAS des lunettes de protection. Utiliser aussi un masque antipoussières si la découpe doit en produire beaucoup. **PORTER SYSTEMATIQUEMENT UN EQUIPEMENT DE SÉCURITÉ HOMOLOGUÉ :**

- Protection oculaire ANSI Z87.1 (CAN/CSA Z94.3) ;
- Protection auditive ANSI S12.6 (S3.19) ;
- Protection des voies respiratoires NIOSH/ OSHA/ MSHA.

**AVERTISSEMENT :** les scies, meules, ponceuses, perceuses ou autres outils de construction peuvent produire des poussières contenant des produits chimiques reconnus par l'État californien pour causer cancers, malformations congénitales ou être nocifs au système reproducteur. Parmi ces produits chimiques, on retrouve :

- Le plomb dans les peintures à base de plomb ;
- La silice cristallisée dans les briques et le ciment, ou autres produits de maçonnerie ; et
- L'arsenic et le chrome dans le bois ayant subi un traitement chimique.

Le risque associé à de telles expositions varie selon la fréquence à laquelle on effectue ces travaux. Pour réduire toute exposition à ces produits : travailler dans un endroit bien aéré, en utilisant du matériel de sécurité homologué, tel un masque antipoussières spécialement conçu pour filtrer les particules microscopiques.

- **Limiter toute exposition prolongée avec les poussières provenant du ponçage, sciage, meulage, perçage ou toute autre activité de construction. Porter des vêtements de protection et nettoyer à l'eau savonneuse les parties du corps exposées.** Le fait de laisser la poussière pénétrer dans la bouche, les yeux ou la peau peut favoriser l'absorption de produits chimiques dangereux.

**AVERTISSEMENT :** cet outil peut produire et/ou répandre de la poussière susceptible de causer des dommages sérieux et permanents au système respiratoire. Utiliser systématiquement un appareil de protection des voies respiratoires homologué par le NIOSH ou l'OSHA. Diriger les particules dans le sens opposé au visage et au corps.

**AVERTISSEMENT :** pendant l'utilisation, porter systématiquement une protection auditive individuelle adéquate homologuée ANSI S12.6 (S3.19). Sous certaines conditions et suivant la durée












d'utilisation, le bruit émanant de ce produit pourrait contribuer à une perte de l'acuité auditive.

- **Prendre des précautions à proximité des événements, car ils cachent des pièces mobiles.** Vêtements amples, bijoux ou cheveux longs risquent de rester coincés dans ces pièces mobiles.
- **Pour la sécurité de l'utilisateur, utiliser une rallonge de calibre adéquat (AWG, American Wire Gauge [calibrage américain normalisé des fils électriques]).** Plus le calibre est petit, et plus sa capacité est grande. Un calibre 16, par exemple, a une capacité supérieure à un calibre 18. L'usage d'une rallonge de calibre insuffisant causera une chute de tension qui entraînera perte de puissance et surchauffe. Si plus d'une rallonge est utilisée pour obtenir une certaine longueur, s'assurer que chaque rallonge présente au moins le calibre de fil minimum. Le tableau ci-dessous illustre les calibres à utiliser selon la longueur de rallonge et l'intensité nominale indiquée sur la plaque signalétique. En cas de doute, utiliser le calibre suivant. Plus le calibre est petit, plus la rallonge peut supporter de courant.

#### Calibre minimum pour les cordons d'alimentation

Volts	Longueur totale du cordon d'alimentation en mètre (pieds)				
	7,6 (25)	15,2 (50)	30,5 (100)	45,7 (150)	
120 V					
240 V	15,2 (50)	30,5 (100)	61,0 (200)	91,4 (300)	
Ampères		AWG			
Plus que	Pas plus que				
0	6	18	16	16	14
6	10	18	16	14	12
10	12	16	16	14	12
12	16	14	12	Non recommandé	

L'étiquette apposée sur votre outil peut inclure les symboles suivants. Les symboles et leur définition sont indiqués ci-après :

V .....	volts		or AC..... courant alternatif
Hz .....	hertz		or AC/DC... courant alternatif ou continu
min .....	minutes		..... fabrication classe II (double isolation)
— — — or DC.....	courant continu	n <sub>0</sub> .....	vitesse à vide
	..... fabrication classe I (mis à la terre)	n .....	vitesse nominale
... /min.....	par minute		..... borne de terre
BPM.....	battements par minute		..... symbole d'avertissement
IPM.....	impacts par minute		..... radiation visible
RPM.....	révolutions par minute		..... protection respiratoire
sfpm .....	pieds linéaires par minute (plpm)		..... protection oculaire
SPM (FPM).....	fréquence par minute		..... protection auditive
A .....	ampères		..... lire toute la documentation
W.....	watts		

### CONSERVER CES CONSIGNES POUR UTILISATION ULTÉRIEURE

## DESCRIPTION (FIG. A)

### Moteur

S'assurer que le bloc d'alimentation est compatible avec l'inscription de la plaque signalétique. Une diminution de tension de plus de 10 % provoquera une perte de puissance et une surchauffe. Les outils sont testés en usine ; si cet outil ne fonctionne pas, vérifier l'alimentation électrique.

### Usage Prévu

Cette perceuse à percussion est conçue pour un usage professionnel.

**NE PAS** les utiliser en milieu ambiant humide ou en présence de liquides ou de gaz inflammables.

Cet outil oscillant à multiples usages est un outil motorisé professionnel.

**NE PAS** le laisser à la portée des enfants. Une supervision est nécessaire auprès de tout utilisateur non expérimenté.

## ASSEMBLAGE ET AJUSTEMENTS

**⚠ AVERTISSEMENT : afin de réduire le risque de blessure corporelle, éteignez l'appareil et, débranchez-le la source d'alimentation avant d'effectuer tout ajustement ou de retirer/ installer des pièces ou des accessoires. Un déclenchement accidentel du démarrage peut causer des blessures.**

### Poignée latérale (Fig. B, C)

**⚠ AVERTISSEMENT : pour réduire tout risque de dommages corporels, utiliser SYSTÉMATIQUEMENT l'outil avec sa poignée latérale installée correctement et solidement. Tout manquement à cette directive pourrait faire que la poignée latérale glisse pendant l'utilisation de l'outil et entraîner la perte de contrôle de celui-ci. Maintenir l'outil fermement à deux mains pour un contrôle maximum.**

Si la perceuse est dotée d'une poignée latérale, veuillez l'installer correctement pour bien maîtriser la perceuse.

1. Dévissez la prise de la poignée latérale **7** dans le sens des aiguilles d'une montre jusqu'à ce vous puissiez glisser le collier **9** sur le devant de l'outil comme illustré.
2. Tournez la poignée latérale dans la position désirée, dévissez le collier **9** en tournant la poignée latérale dans le sens des aiguilles d'une montre, puis en glissant le collier en place.
3. Une fois la poignée latérale installée dans la position désirée, elle devrait être repoussée vers l'arrière jusqu'à ce que les encoches sur la lèvre de la poignée latérale soient alignées et pleinement engagées sur les saillies de la face inférieure du carter d'engrenage.
4. Insérer la butée de profondeur **6** dans le trou réservé à cette fin comme indiqué **10**.
5. Régler la butée de profondeur comme décrit sous la rubrique **Réglage de la profondeur de perçage**.

6. Serrer la poignée latérale en la tournant en sens antihoraire. Assurez-vous que la poignée latérale est solidement fixée et qu'elle ne glisse pas.

Fig. B

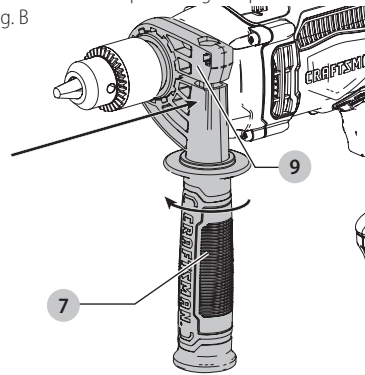
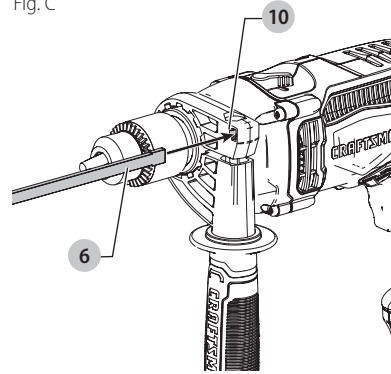


Fig. C



### Insérer une mèche ou un autre accessoire (Fig. A, D)

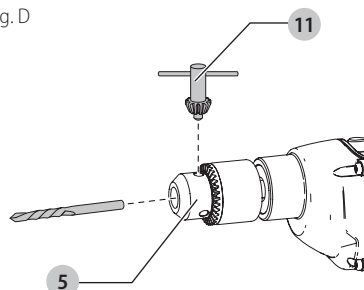
**⚠ AVERTISSEMENT : ne pas essayer de resserrer les mèches (ou tout autre accessoire) en saisissant la partie avant du mandrin et en mettant l'outil en marche. Lors du changement d'accessoire, il y a risque d'endommager le mandrin et d'entraîner des blessures corporelles.**

**⚠ AVERTISSEMENT : toujours s'assurer que la mèche est bien fixée avant de démarrer l'outil. Une mèche desserrée peut être éjectée de l'outil et causer des blessures corporelles.**

1. Tourner la bague en sens antihoraire (si on se place à l'extrémité du mandrin) pour ouvrir les mâchoires du mandrin **5**.
2. Insérer l'emmanchement de l'accessoire au centre des mâchoires du mandrin à une profondeur d'environ 19 mm (3/4 po).
3. Puis serrer le mandrin à la main en tournant le collier en sens horaire. Insérer la clé de mandrin **11** dans chacun des trois trous et serrer solidement en tournant en sens horaire.

**REMARQUE :** utiliser tous les trois trous du mandrin pour serrer et prévenir ainsi tout glissement de l'emmanchement.

Fig. D



## FONCTIONNEMENT

**AVERTISSEMENT** : afin de réduire le risque de blessure corporelle, éteignez l'appareil et débranchez-le la source d'alimentation avant d'effectuer tout ajustement ou de retirer/ installer des pièces ou des accessoires. Un déclenchement accidentel du démarrage peut causer des blessures.

**AVERTISSEMENT** : soutenir correctement la pièce et tenir fermement la perceuse entre les deux mains pour empêcher une perte de maîtrise de l'outil pouvant provoquer des blessures corporelles.

**AVERTISSEMENT** : ne pas essayer de resserrer les mèches (ou tout autre accessoire) en saisissant la partie avant du mandrin et en mettant l'outil en marche. Lors du changement d'accessoires, il y a risque d'endommager le mandrin et d'entraîner des blessures corporelles.

**AVERTISSEMENT** : pour réduire le risque de blessures, toujours débrancher la perceuse avec d'effectuer quelque ajustement que ce soit ou de changer d'accessoires.

**AVERTISSEMENT** : pour réduire les risques de blessures, laisser l'outil travailler à sa propre vitesse. Ne pas le surcharger.

### Position correcte des mains (Fig. E)

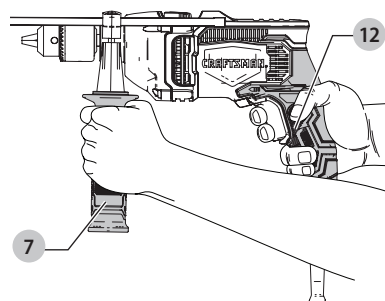
**AVERTISSEMENT** : pour réduire tout risque de dommages corporels graves, adopter **SYSTÉMATIQUEMENT** la position des mains illustrée.

**AVERTISSEMENT** : pour réduire tout risque de dommages corporels graves, maintenir **SYSTÉMATIQUEMENT** l'outil fermement pour anticiper toute réaction soudaine.

**AVERTISSEMENT** : la perceuse peut caler si on la force et causer une torsion. Toujours s'attendre à un blocage. Saisir fermement la perceuse avec les deux mains afin de maîtriser le mouvement de torsion et d'éviter d'en perdre la maîtrise ce qui pourrait entraîner des blessures corporelles. En cas de blocage, relâcher la détente immédiatement et déterminer la raison du blocage avant de redémarrer.

Une position des mains appropriée nécessite une main sur la poignée principale **12** et une main sur la poignée latérale **7**.

Fig. E



### Sélection du mode perceuse (Fig. A)

- Pour perforeur de la maçonnerie, régler le sélecteur de mode de travail sur le « symbole du marteau » **T**.
- Pour le perçage d'autres matériaux et pour le vissage, régler le sélecteur de mode de perçage sur le « symbole de la perceuse » **2**.

### Sélection du sens de rotation

Pour percer et serrer des vis, utiliser la rotation avant (sens horaire). Pour desserrer des vis ou retirer une mèche de perceuse coincée, utiliser la rotation arrière (sens antihoraire).

**REMARQUE** : le sens de la rotation est aussi indiqué par une flèche sur le surmoulage de l'outil près du levier avancer/reculer **3**.

Ne jamais modifier le sens de la rotation pendant que le moteur est en marche.

1. Pour sélectionner la rotation vers l'avant, poussez le levier avancer/reculer vers la droite (lorsqu'il est vu de l'extrémité du mandrin).
2. Pour sélectionner la rotation vers l'arrière, poussez le levier avancer/reculer vers la gauche (lorsqu'il est vu de l'extrémité du mandrin).

### Réglage de la profondeur de perçage (Fig. A)

1. Donner du mou à la poignée latérale **7** en la tournant en sens antihoraire.
2. Régler la butée de profondeur **6** à la position désirée. La profondeur maximale de perçage est équivalente à la distance entre la pointe de la mèche et l'extrémité avant de la butée de profondeur.
3. Serrer la poignée latérale en la tournant en sens horaire. S'assurer que la poignée latérale est bien fixée et ne glisse pas.

### Gâchette de vitesse variable (Fig. A)

Pour allumer, appuyez sur la gâchette **1**. Pour éteindre, relâchez la gâchette. Votre outil est muni d'un frein.

Le mandrin s'arrêtera lorsque vous aurez relâché



complètement la gâchette. La vitesse variable vous permet de sélectionner la meilleure vitesse pour une application particulière. Plus vous appuyez sur la gâchette, plus l'outil fonctionnera rapidement. Utilisez les vitesses plus basses lorsque vous commencez les trous sans pointeau, percez dans des métaux ou des plastiques ou enfoncez des vis. Pour une durée maximale de la vie de l'outil, utilisez la vitesse variable seulement pour commencer des trous ou les fixations.

**REMARQUE :** une utilisation continue à une gamme de vitesses variable n'est pas recommandée. Cela peut endommager la gâchette et doit être évité.



**AVERTISSEMENT :** la perceuse doit seulement être **VERROUILLÉE** lorsqu'elle maintenu immobile dans le support de perceuse à colonne ou par d'autres moyens; **PAS À LA MAIN!** Ne jamais débrancher l'outil lorsque la fonction de verrouillage est enclenchée. Le faire entraînera le démarrage immédiat de l'outil la prochaine fois que celui-ci sera branché.

## Mode perçage

- Toujours débrancher la perceuse lors de l'insertion ou du retrait d'accessoires. Lors de l'insertion d'accessoires dans le mandrin de la perceuse, il est primordial de serrer solidement le mandrin en utilisant les trois trous pour prévenir tout glissement. Dans le cas d'un mandrin sans clé, serrer fermement à la main.
- Utiliser des mèches aiguisées seulement.
- Bien soutenir et fixer la pièce, conformément aux **Avvertissements de sécurité pour marteau perforateur**.
- Utiliser le matériel de sécurité approprié, conformément aux **Avvertissements de sécurité pour marteau perforateur**.
- Garder la zone de travail propre et sécuritaire, conformément aux **Avvertissements généraux sur la sécurité des outils**.
- Faire fonctionner la perceuse très lentement en exerçant une légère pression, jusqu'à ce que le trou soit suffisamment profond pour empêcher la mèche d'en sortir.
- Appliquer une pression en ligne droite au moyen de la mèche en exerçant juste assez de pression pour permettre à la mèche de mordre dans la pièce, en évitant de caler le moteur ou de faire dévier la mèche.
- Tenir fermement l'outil avec les deux mains afin de contrôler sa rotation. Une main devrait être placée sur la poignée latérale.
- Utiliser en tout temps la poignée latérale des perceuses qui en sont dotées.
- Ne pas enfoncer et relâcher la gâchette à plusieurs reprises pour essayer de redémarrer la perceuse afin d'éviter de l'endommager.



**AVERTISSEMENT :** la perceuse peut caler si on la force et causer une torsion. S'attendre systématiquement à un blocage. Maintenir fermement la perceuse à deux mains pour contrôler

toute torsion et éviter tout risque de dommages corporels.

- Réduire les risques de calage au minimum en réduisant la pression lorsque la mèche perce le matériau et en perçant lentement la dernière section du trou.
- Maintenir le moteur en marche lorsqu'on retire la mèche du trou percé afin d'éviter qu'elle reste coincée.

## Perçage du bois

On peut percer le bois au moyen des mèches hélicoïdales qu'on utilise pour le métal ou de mèches à vrille. On doit utiliser des mèches bien aiguisées et les sortir fréquemment pour enlever les copeaux restés coincés dans les cannelures.

## Perçage du métal

Utiliser une huile de coupe lorsqu'on perce des métaux, à l'exception de la fonte et du laiton, car ces derniers doivent être percés à sec. Pour cette tâche, les meilleurs lubrifiants sont l'huile sulfurée et l'huile de lard.

## Perçage de la maçonnerie (permuter la perceuse en mode martèlement si elle en est dotée)

Utiliser des mèches à pointe carburée (voir la section **Mode perçage**). Maintenir une pression uniforme sur la perceuse, sans trop forcer pour éviter de fissurer les matériaux plus cassants. La vitesse choisie est appropriée lorsque la poussière est soulevée uniformément et régulièrement. La vitesse choisie est appropriée lorsque la poussière est soulevée uniformément et régulièrement.

### CAPACITÉS MAXIMALES RECOMMANDÉES

Volts	120 V C.A. Seulement
Ampères	7,0
RPM	0–3100
BPM	0–52700
Capacité	32 mm dans le bois (1–1/4 po)
	13 mm métallique (1/2 po)
	16 mm dans le béton (5/8 po)

## Versatrack™ (Fig. F)



**AVERTISSEMENT :** afin de réduire le risque de blessure corporelle, éteignez l'appareil et ,débranchez-le la source d'alimentation avant d'effectuer tout ajustement ou de retirer/ installer des pièces ou des accessoires. Un déclenchement accidentel du démarrage peut causer des blessures.



**AVERTISSEMENT :** afin de réduire le risque de blessures graves, ne pas utiliser un crochet de suspension Versatrack™ ou rail mural Versatrack endommagé. Un crochet de suspension Versatrack™ ou un rail Versatrack™ endommagé ne supportera pas le poids de l'outil.

## FRANÇAIS

**AVERTISSEMENT :** afin de réduire le risque de blessures graves, NE PAS suspendre l'outil au-dessus du niveau de la tête ou suspendre d'autres objets à partir du crochet de suspension. Suspendez SEULEMENT l'outil sur le rail mural Versatrack™. À l'aide du crochet de suspension Versatrack™.

**AVERTISSEMENT :** assurez-vous que le poids de l'outil ne dépasse pas le poids nominal maximum pour le crochet Versatrack™ sélectionné.

**AVERTISSEMENT :** lorsque vous suspendrez des objets sur le mur Versatrack™ rail, distacez adéquatement les outils de sorte à ne pas excéder 35 kg (75 lb) par pied linéaire.

**IMPORTANT :** Les outils et accessoires compatibles Versatrack™ se fixent de façon sécuritaire au système Versatrack™ Trackwall.

1. Éteignez l'outil, retirez les accessoires, débranchez-le de l'alimentation.

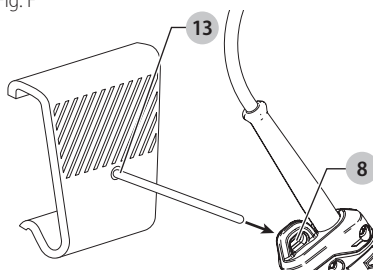
**ATTENTION :** tout produit avec dents coupantes exposées doit être couvert de façon sécuritaire s'il doit être mis sur le Versatrack™ Trackwall.

2. Montez le crochet à goupille **13** sur au système Versatrack™ Trackwall.

3. Glissez **8** dans la boucle **8** sur l'outil.

**REMARQUE :** les accessoires Versatrack™ pour utilisation avec cet outil sont disponibles à un coût supplémentaire chez votre détaillant local ou dans un centre de services autorisé. Si vous avez besoin d'aide pour trouver un accessoire, veuillez contacter CRAFTSMAN, appelez au **1-888-331-4569**.

Fig. F



## MAINTENANCE

**AVERTISSEMENT :** pour réduire le risque de blessures graves, éteindre l'outil et retirer le débrancher avant d'effectuer tout réglage et d'enlever ou d'installer tout accessoire. Un démarrage accidentel peut provoquer des blessures.

## Accessoires

**AVERTISSEMENT :** puisque les accessoires autres que ceux offerts par CRAFTSMAN n'ont pas été testés avec ce produit, leur utilisation pourrait s'avérer dangereuse. Pour réduire le risque de blessures, utiliser exclusivement les accessoires CRAFTSMAN recommandés avec le présent produit.

Les accessoires recommandés pour cet outil sont vendus séparément au centre de service de votre région. Pour obtenir de l'aide concernant l'achat d'un accessoire, communiquer avec CRAFTSMAN, composer le **1-888-331-4569**.

## Nettoyage

**AVERTISSEMENT :** enlever les saletés et la poussière hors des événements au moyen d'air comprimé propre et sec, au moins une fois par semaine. Pour minimiser le risque de blessure aux yeux, toujours porter une protection oculaire conforme à la norme ANSI Z87.1 lors du nettoyage.

**AVERTISSEMENT :** ne jamais utiliser de solvants ni d'autres produits chimiques puissants pour nettoyer les pièces non métalliques de l'outil. Ces produits chimiques peuvent affaiblir les matériaux de plastique utilisés dans ces pièces. Utiliser un chiffon humecté uniquement d'eau et de savon doux. Ne jamais laisser de liquide pénétrer dans l'outil et n'immerger aucune partie de l'outil dans un liquide.

## Réparations

**AVERTISSEMENT :** pour assurer la SÉCURITÉ et la FIABILITÉ du produit, les réparations, l'entretien et les réglages doivent être réalisés (cela comprend l'inspection et le remplacement du balai, le cas échéant) par un centre de réparation en usine CRAFTSMAN ou un centre de réparation agréé CRAFTSMAN. Toujours utiliser des pièces de rechange identiques.

## Registre en ligne

Merci pour votre achat. Enregistrez dès maintenant votre produit:

- **RÉPARATIONS SOUS GARANTIE:** cette carte remplie vous permettra de vous prévaloir du service de réparations sous garantie de façon plus efficace dans le cas d'un problème avec le produit.
- **CONFIRMATION DE PROPRIÉTÉ:** en cas de perte provoquée par un incendie, une inondation ou un vol, cette preuve de propriété vous servira de preuve auprès de votre compagnie d'assurances.
- **SÉCURITÉ:** l'enregistrement de votre produit nous permettra de communiquer avec vous dans l'éventualité peu probable de l'envoi d'un avis de sécurité régi par la loi fédérale américaine de la protection des consommateurs.

Registre en ligne à [www.craftsman.com/registration](http://www.craftsman.com/registration)

## Garantie limitée de trois ans

CRAFTSMAN réparera ou remplacera sans frais tout appareil défectueux pour cause de défaut de matériel ou de main-d'œuvre sur une période de trois ans à partir de la date d'achat de l'outil. Cette garantie ne couvre pas les pièces en panne pour cause d'abus ou d'usure normale de l'outil. Pour plus de détails au sujet de la couverture de la garantie et l'information de réparation sous garantie, visitez [www.craftsman.com](http://www.craftsman.com) ou composez le **1-888-331-4569**.

Cette garantie ne s'applique pas aux accessoires ou dommages causés par des réparations effectuées ou tentées par d'autres. CETTE GARANTIE REMPLACE TOUTES LES AUTRES, INCLUANT LES GARANTIES IMPLICITES DE LA QUALITÉ MARCHANDE ET L'APTITUDE POUR UN BUT PARTICULIER, ET EXCLUT TOUS LES DOMMAGES ACCIDENTELS OU CONSÉCUTIFS. Certaines provinces ne permettent pas de limitation sur la durée de la garantie implicite ou l'exclusion ou la limitation de dommages indirects, alors ces limitations peuvent ne pas s'appliquer à vous. Cette garantie vous donne des droits légaux particuliers et vous pouvez avoir d'autres droits qui varient selon les états ou les provinces.

#### **GARANTIE DE REMBOURSEMENT DE 90 JOURS**

Si l'acheteur n'est pas entièrement satisfait, pour quelque raison que ce soit, du rendement de l'outil électrique ou de la cloueuse CRAFTSMAN, celui-ci peut le retourner, accompagné d'un reçu, dans les 90 jours à compter de la date d'achat pour obtenir un remboursement intégral, sans aucun problème.

**AMÉRIQUE LATINE :** cette garantie ne s'applique aux produits vendus en Amérique latine. Pour ceux-ci, veuillez consulter les informations relatives à la garantie spécifique présente dans l'emballage, appeler l'entreprise locale ou consulter le site Web pour les informations relatives à cette garantie.

#### **REMPLACEMENT GRATUIT DES ÉTIQUETTES**

**D'AVERTISSEMENT :** si les étiquettes d'avertissement deviennent illisibles ou sont manquantes, composer le **1-888-331-4569** pour en obtenir le remplacement gratuit.

## Definiciones: Símbolos y palabras de alerta de seguridad

Este manual de instrucciones utiliza los siguientes símbolos y palabras de alerta de seguridad para alertarle de situaciones peligrosas y del riesgo de lesiones corporales o daños materiales.

**!** **PELIGRO:** Indica una situación de peligro inminente que, si no se evita, provocará **la muerte o lesiones graves**.

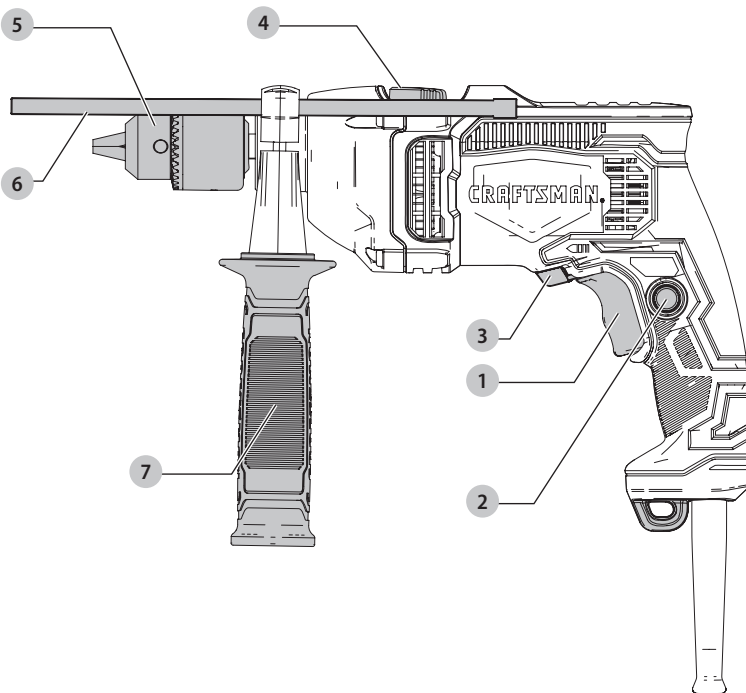
**!** **ADVERTENCIA:** Indica una situación de peligro potencial que, si no se evita, **podría** provocar **la muerte o lesiones graves**.

**!** **ATENCIÓN:** Indica una situación de peligro potencial que, si no se evita, **posiblemente** provocaría **lesiones leves o moderadas**.

**!** (Utilizado sin palabras) indica un mensaje de seguridad relacionado.

**AVISO:** Se refiere a una práctica **no relacionada a lesiones corporales** que de no evitarse **puede** resultar en **daños a la propiedad**.

Fig. A



### COMPONENTES

- 1 Interruptor de velocidad variable
- 2 Botón de bloqueo
- 3 Interruptor deslizable de avance y reversa
- 4 Selector de modo de taladrado
- 5 Portabrocas
- 6 Tope de profundidad
- 7 Mango lateral

**!** **ADVERTENCIA:** Lea todas las advertencias de seguridad e instrucciones. El incumplimiento de las advertencias e instrucciones puede provocar descargas eléctricas, incendios o lesiones graves.

**!** **ADVERTENCIA:** Nunca modifique la herramienta eléctrica, ni tampoco ninguna de sus piezas. Podría producir lesiones corporales o daños.

**!** **ADVERTENCIA:** Para reducir el riesgo de lesiones, lea el manual de instrucciones.

Si tiene alguna duda o algún comentario sobre ésta u otra herramienta CRAFTSMAN, llámenos al número gratuito: 1-888-331-4569.

## Taladro percutor de 13 mm (1/2") y 7,0 amperios CMED741

### ADVERTENCIAS GENERALES DE SEGURIDAD PARA HERRAMIENTAS ELÉCTRICAS



**ADVERTENCIA:** Lea todas las advertencias de seguridad, instrucciones, ilustraciones y especificaciones incluidas con esta herramienta eléctrica. La falla en seguir todas las instrucciones siguientes puede resultar en descarga eléctrica, incendio y/o lesiones serias.

### CONSERVE TODAS LAS ADVERTENCIAS E INSTRUCCIONES PARA FUTURAS CONSULTAS

El término "herramienta eléctrica" incluido en las advertencias hace referencia a las herramientas eléctricas operadas con corriente (con cable eléctrico) o a las herramientas eléctricas operadas con baterías (inalámbricas).

#### 1) Seguridad en el Área de Trabajo

- Mantenga el área de trabajo limpia y bien iluminada.** Las áreas abarrotadas y oscuras propician accidentes.
- No opere las herramientas eléctricas en atmósferas explosivas, como ambientes donde haya polvo, gases o líquidos inflamables.** Las herramientas eléctricas originan chispas que pueden encender el polvo o los vapores.
- Mantenga alejados a los niños y a los espectadores de la herramienta eléctrica en funcionamiento.** Las distracciones pueden provocar la pérdida de control.

#### 2) Seguridad Eléctrica

- Los enchufes de la herramienta eléctrica deben adaptarse al tomacorriente. Nunca modifique el enchufe de ninguna manera. No utilice ningún enchufe adaptador con herramientas eléctricas con conexión a tierra.** Los enchufes no modificados y que se adaptan a los tomacorrientes reducirán el riesgo de descarga eléctrica.
- Evite el contacto corporal con superficies con descargas a tierra como, por ejemplo, tuberías, radiadores, cocinas eléctricas y refrigeradores.** Existe mayor riesgo de descarga eléctrica si su cuerpo está puesto a tierra.
- No exponga las herramientas eléctricas a la lluvia o a condiciones de humedad.** Si entra agua a una herramienta eléctrica, aumentará el riesgo de descarga eléctrica.
- No maltrate el cable. Nunca utilice el cable para transportar, tirar o desenchufar la herramienta eléctrica. Mantenga el cable alejado del calor, el aceite, los bordes filosos y las piezas móviles.** Los cables dañados o enredados aumentan el riesgo de descarga eléctrica.

- Al operar una herramienta eléctrica en el exterior, utilice un cable prolongador adecuado para tal uso.** Utilice un cable adecuado para uso en exteriores a fin de reducir el riesgo de descarga eléctrica.
- Si el uso de una herramienta eléctrica en un lugar húmedo es imposible de evitar, utilice un suministro protegido con un interruptor de circuito por falla a tierra (GFCI).** El uso de un GFCI reduce el riesgo de descargas eléctricas.

#### 3) Seguridad Personal

- Permanezca alerta, controle lo que está haciendo y utilice el sentido común cuando emplee una herramienta eléctrica. No utilice una herramienta eléctrica si está cansado o bajo el efecto de drogas, alcohol o medicamentos.** Un momento de descuido mientras se opera una herramienta eléctrica puede provocar lesiones personales graves.
- Utilice equipos de protección personal. Siempre utilice protección para los ojos.** En las condiciones adecuadas, el uso de equipos de protección, como máscaras para polvo, calzado de seguridad antideslizante, cascos o protección auditiva, reducirá las lesiones personales.
- Evite el encendido por accidente. Asegúrese de que el interruptor esté en la posición de apagado antes de conectarlo a la fuente de energía o paquete de baterías, o antes de levantar o transportar la herramienta.** Transportar herramientas eléctricas con el dedo apoyado en el interruptor o enchufar herramientas eléctricas con el interruptor en la posición de encendido puede propiciar accidentes.
- Retire la clavija de ajuste o la llave de tuercas antes de encender la herramienta eléctrica.** Una llave de tuercas o una clavija de ajuste que quede conectada a una pieza giratoria de la herramienta eléctrica puede provocar lesiones personales.
- No se estire. Conserve el equilibrio y párese adecuadamente en todo momento.** Esto permite un mejor control de la herramienta eléctrica en situaciones inesperadas.
- Use la vestimenta adecuada. No use ropas holgadas ni joyas. Mantenga el cabello, la ropa y los guantes alejados de las piezas en movimiento.** Las ropas holgadas, las joyas o el cabello largo pueden quedar atrapados en las piezas en movimiento.
- Si se suministran dispositivos para la conexión de accesorios con fines de recolección y extracción de polvo, asegúrese de que estén conectados y que se utilicen correctamente.** El

uso de dispositivos de recolección de polvo puede reducir los peligros relacionados con el polvo.

- h) **No permita que la familiaridad obtenida a partir del uso frecuente de herramientas le permitan volverse descuidado e ignorar los principios de seguridad de la herramienta.** Una acción descuidada puede causar lesiones severas en una fracción de segundo.

#### 4) Uso y Mantenimiento de la Herramienta Eléctrica

- a) **No fuerce la herramienta eléctrica. Utilice la herramienta eléctrica correcta para el trabajo que realizará.** Si se la utiliza a la velocidad para la que fue diseñada, la herramienta eléctrica correcta permite trabajar mejor y de manera más segura.
- b) **No utilice la herramienta eléctrica si no puede encenderla o apagarla con el interruptor.** Toda herramienta eléctrica que no pueda ser controlada mediante el interruptor es peligrosa y debe repararse.
- c) **Desconecte el enchufe de la fuente de alimentación y/o retire la batería, o paquete si es desmontable, de la herramienta eléctrica antes de realizar cualquier ajuste, cambiar accesorios o almacenar herramientas eléctricas.** Estas medidas de seguridad preventivas reducen el riesgo de encender la herramienta eléctrica en forma accidental.
- d) **Guarde la herramienta eléctrica que no esté en uso fuera del alcance de los niños y no permita que otras personas no familiarizadas con ella o con estas instrucciones operen la herramienta.** Las herramientas eléctricas son peligrosas si son operadas por usuarios no capacitados.
- e) **Dé mantenimiento a las herramientas eléctricas y accesorios. Revise que no haya piezas en movimiento mal alineadas o trabadas, piezas rotas o cualquier otra situación que pueda afectar el funcionamiento de la herramienta eléctrica. Si encuentra daños, haga reparar la herramienta eléctrica antes de utilizarla.** Se producen muchos accidentes a causa de las herramientas eléctricas que carecen de un mantenimiento adecuado.
- f) **Mantenga las herramientas de corte afiladas y limpias.** Las herramientas de corte con mantenimiento adecuado y con los bordes de corte afilados son menos propensas a trabarse y son más fáciles de controlar.
- g) **Utilice la herramienta eléctrica, los accesorios y las brocas de la herramienta, etc. de acuerdo con estas instrucciones y teniendo en cuenta las condiciones de trabajo y el trabajo que debe realizarse.** El uso de la herramienta eléctrica para operaciones diferentes de aquéllas para las que fue diseñada podría originar una situación peligrosa.
- h) **Mantenga las manijas y superficies de sujeción secas, limpias y libres de aceite y grasa.**

Las manijas y superficies de sujeción resbalosas no permiten el manejo y control seguros de la herramienta en situaciones inesperadas.

#### 5) Mantenimiento

- a) **Solicite a una persona calificada en reparaciones que realice el mantenimiento de su herramienta eléctrica y que sólo utilice piezas de repuesto idénticas.** Esto garantizará la seguridad de la herramienta eléctrica.

#### Normas de Seguridad Específicas para Taladro percutor

- **Sujete la herramienta eléctrica por las superficies aislantes cuando realice una operación en que la herramienta pueda hacer contacto con cableados ocultos.** Al hacer contacto con un cable "vivo", las partes metálicas de la herramienta se vuelven "vivas" y pueden originar un choque al operador.
- **Utilice protectores auditivos con los taladros de impacto.** La exposición al ruido puede ocasionar la pérdida de la audición.
- **Use los mangos auxiliares que se suministran con la herramienta.** La pérdida del control podría ocasionar lesiones personales.
- **Utilice abrazaderas u otra forma práctica para asegurar y sostener la pieza de trabajo sobre una plataforma estable.** Sostener el trabajo con la mano o contra el cuerpo no brinda la estabilidad requerida y puede llevar a la pérdida del control.
- **No opere esta herramienta por largos períodos de tiempo.** La vibración causada por la acción de operación de esta herramienta puede causar lesiones permanentes en los dedos, las manos y los brazos. Use guantes para proporcionar un acojinamiento adicional, tome descansos frecuentes y limite el tiempo de uso diario.
- **Las brocas y herramientas de rotomartillo se calientan durante la operación.** Use guantes cuando los toque.



**ADVERTENCIA:** Riesgo de descarga eléctrica. Al perforar o introducir en paredes, pisos o donde sea que se encuentren cables eléctricos vivos, ¡NO TOQUE NINGUNA PIEZA METÁLICA DE LA HERRAMIENTA! Sostenga la herramienta sólo por la(s) manija(s) de plástico/alojamiento para evitar descargas.

- **No bloquee la herramienta ENCENDIDA cuando taladre a mano.**
- **Sostenga el taladro firmemente con ambas manos para controlar la acción de giro del taladro.** Si su taladro está equipado con una manija lateral, siempre use la manija lateral.



**ADVERTENCIA:** El taladro puede atascarse (si se sobrecarga o usa de forma incorrecta) y provocar un giro. Siempre espere el atoramiento. Sujete firmemente el taladro para controlar la acción de giro y evitar la pérdida de control que podría causar lesiones personales. Si ocurre un bloqueo, suelte el

gatillo inmediatamente y determine el motivo del bloqueo antes de volver a comenzar.

- **Siempre desconecte el taladro al colocar o retirar accesorios.** Al colocar los accesorios en el mandril, es importante apretar firmemente el mandril utilizando los tres orificios para evitar el deslizamiento. Cuando use un mandril sin llave, apriete con la mano firmemente.

### Instrucción Adicional de Seguridad



**ADVERTENCIA:** Use **SIEMPRE** lentes de seguridad. Los anteojos de diario **NO SON** lentes de seguridad. Utilice además una cubrebocas o mascarilla antipolvo si la operación de corte genera demasiado polvo. **SIEMPRE LLEVE EQUIPO DE SEGURIDAD CERTIFICADO:**

- protección ocular ANSI Z87.1 (CAN/CSA Z94.3),
- protección auditiva ANSI S12.6 (S3.19),
- protección respiratoria NIOSH/OSHA/MSHA.



**ADVERTENCIA:** Algunas partículas de polvo generadas al lijar, serrar, esmerilar y taladrar con herramientas eléctricas, así como al realizar otras actividades de construcción, contienen químicos que el Estado de California sabe que pueden producir cáncer, defectos congénitos u otras afecciones reproductivas. Ejemplos de estos químicos son:

- plomo de algunas pinturas en base a plomo,
- polvo de sílice proveniente de ladrillos y cemento y otros productos de albañilería, y
- arsénico y cromo provenientes de madera tratada químicamente.

Su riesgo de exposición a estos químicos varía, dependiendo de la frecuencia con la cual realiza usted este tipo de trabajo. Para reducir su exposición a estas sustancias químicas: trabaje en una zona bien ventilada y llevando equipos de seguridad aprobados, como mascarillas antipolvo especialmente diseñadas para filtrar partículas microscópicas.

- **Evite el contacto prolongado con polvo generado por el lijado, aserrado, pulido, taladrado y otras actividades de construcción. Vista ropas protectoras y lave las áreas de la piel expuestas con agua y jabón.** Si permite que el polvo se introduzca en la boca u ojos o quede sobre la piel, puede favorecer la absorción de productos químicos peligrosos.



**ADVERTENCIA:** La utilización de esta herramienta puede generar polvo o dispersarlo, lo que podría causar daños graves y permanentes al sistema respiratorio, así como otras lesiones. Siempre use protección respiratoria aprobada por NIOSH (Instituto Nacional de Seguridad y Salud en el Trabajo) u OSHA (Administración de Seguridad y Salud en el Trabajo) apropiada para la exposición al polvo. Dirija las partículas en dirección contraria a la cara y el cuerpo.



**ADVERTENCIA:** Siempre lleve la debida protección auditiva personal en conformidad con ANSI S12.6 (S3.19) durante el uso de esta herramienta. Bajo algunas condiciones y duraciones

de uso, el ruido producido por este producto puede contribuir a la pérdida auditiva.

- **Los hilos del alargador deben ser de un calibre apropiado (AWG o American Wire Gauge) para su seguridad.** Mientras menor sea el calibre del hilo, mayor la capacidad del cable. Es decir, un hilo calibre 16 tiene mayor capacidad que uno de 18. Un cable de un calibre insuficiente causará una caída en la tensión de la línea dando por resultado una pérdida de energía y sobrecalentamiento. Cuando se utilice más de un alargador para completar el largo total, asegúrese que los hilos de cada alargador tengan el calibre mínimo. La tabla siguiente muestra el tamaño correcto a utilizar, dependiendo de la longitud del cable y del amperaje nominal de la placa de identificación. Si tiene dudas sobre cuál calibre usar, use un calibre mayor. Cuanto menor sea el número del calibre, más resistente será el cable.

Calibre mínimo de conjuntos de cables					
Voltios	Longitud total del cable en pies (metros)				
	120 V	25 (7,6)	50 (15,2)	100 (30,5)	150 (45,7)
240 V	50 (15,2)	100 (30,5)	200 (61,0)	300 (91,4)	
Amperaje nominal	AWG				
	Más de	Más de	Más de	Más de	Más de
0	6	18	16	16	14
6	10	18	16	14	12
10	12	16	16	14	12
12	16	14	12	No recomendado	

La etiqueta de su herramienta puede incluir los siguientes símbolos. A continuación se indican los símbolos y sus definiciones:

- V ..... voltios
- Hz ..... hertz
- min ..... minutos
- or DC..... direct current
- ⊕ ..... Construcción de Clase I (tierra)
- ... /min..... por minuto
- BPM ..... golpes por minuto
- IPM ..... impactos por minuto
- RPM ..... revoluciones por minuto
- sfpm ..... pies de superficie por minuto
- SPM ..... pasadas por minuto
- A ..... amperios
- W ..... vatios
- ~ or AC ..... corriente alterna
- ⏚ or AC/DC .... corriente alterna o directa
- ⊞ ..... Construcción de Clase II (doble aislamiento)
- n<sub>0</sub> ..... velocidad sin carga
- n ..... velocidad nominal
- ⊕ ..... terminal de conexión a tierra
- ⚠ ..... símbolo de advertencia de seguridad
- ☠ ..... radiación visible
- ☞ ..... protección respiratoria
- 👁 ..... protección ocular
- 👂 ..... protección auditiva
- 📖 ..... lea toda la documentación

**GUARDE ESTAS INSTRUCCIONES PARA VOLVER A CONSULTAR EN EL FUTURO**

**COMPONENTES (FIG. A)**

**Motor**

Asegúrese de que la fuente de energía concuerde con lo que se indica en la placa. Un descenso en el voltaje de más del 10% producirá una pérdida de potencia y sobrecalentamiento. Todas las herramientas son probadas en fábrica; si esta herramienta no funciona, verifique el suministro eléctrico.

**Uso Debido**

Este taladro percutor está diseñado para uso profesional. **NO** utilice la herramienta en condiciones de humedad o en presencia de líquidos o gases inflamables. **NO** permita que los niños toquen la herramienta. Si el operador no tiene experiencia operando esta herramienta, su uso deberá ser supervisado.

**MONTAJE Y AJUSTES**

**⚠️ ADVERTENCIA:** Para reducir el riesgo de lesiones personales, apague la unidad y desconéctela de la fuente de energía antes de realizar cualquier ajuste o retirar/instalar conexiones o accesorios. Una activación de arranque accidental puede causar lesiones.

**Acoplamiento del Mango Lateral (Fig. B, C)**

**⚠️ ADVERTENCIA:** Para reducir el riesgo de lesiones corporales, SIEMPRE opere la herramienta con el mango lateral debidamente instalado y ajustado. El incumplimiento con lo anterior podría resultar en que el mango lateral se suelte durante la operación de la herramienta y que el operador pierda el control como consecuencia. Sostenga la herramienta con ambas manos para maximizar control.

Si su taladro está equipado con un mango lateral, se debe instalar adecuadamente para asegurar el control del taladro.

1. Afloje la agarradera de la manija lateral **7** en el sentido de las manecillas del reloj hasta que pueda deslizar el collar de la manija lateral **9** sobre la parte delantera de la herramienta como se muestra.
2. Para girar la manija lateral en la posición deseada, afloje el collar **9** girando la manija lateral en el sentido de las manecillas del reloj y luego deslizando el collar en su lugar.
3. Una vez rotado el mango lateral a la posición deseada, este deberá ser empujado hacia atrás hasta que las ranuras del borde del mango lateral queden alineadas y encajen completamente con las lengüetas en relieve en la parte inferior de la caja de engranaje. Luego gire el mango lateral en la dirección de las manecillas del reloj hasta quedar firmemente ajustado..
4. Inserte el tope de seguridad **6** en el orificio de ensamblaje según se muestra.

5. Ajuste el tope de seguridad como se describe en **Ajuste de la Profundidad de Perforación**.
6. Para ajustar el mango lateral, gire la agarradera en el sentido de las agujas del reloj. Asegúrese que la manija lateral esté firmemente asegurada y no resbale.

Fig. B

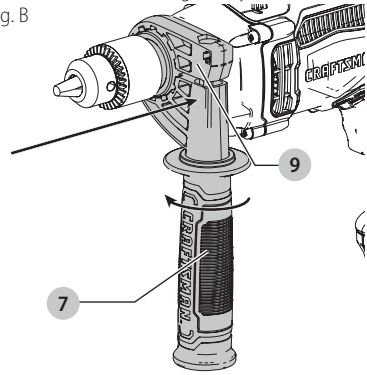
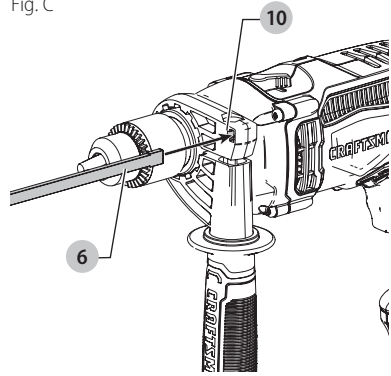


Fig. C



**Inserción de una Broca u Otro Accesorio (Fig. A, D)**

**⚠️ ADVERTENCIA:** No tome la parte delantera del portabrocas y encienda la herramienta para ajustar las brocas (o cualquier otro accesorio). Cuando se cambian los accesorios, se pueden provocar daños al portabrocas y daños personales.

**⚠️ ADVERTENCIA:** Siempre asegúrese de que la broca esté fija antes de poner en funcionamiento la herramienta. Una broca floja puede ser expulsada de la herramienta y ocasionar lesiones personales.

1. Para abrir el portabrocas **5**, gire el anillo en sentido contrario a las agujas del reloj (visto desde el extremo del portabrocas).
2. Introduzca el eje del accesorio en el portabrocas aproximadamente a 19 mm (3/4") de profundidad, centrado en las mordazas.
3. Ajuste el anillo del portabrocas en forma manual, gire el anillo rotación en el sentido de las agujas del reloj. Coloque la llave del portabrocas **11** en cada uno de los tres orificios y ajuste con firmeza en el sentido de las agujas del reloj.



**NOTA:** Ajuste el portabrocas en los tres orificios para evitar el deslizamiento de la broca.

Fig. D

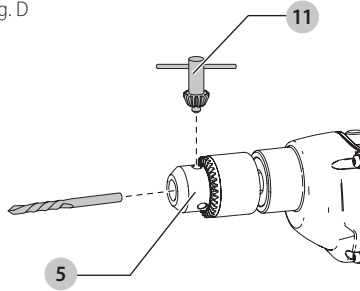
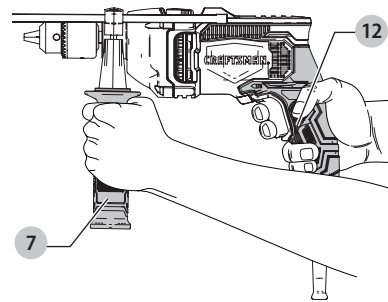


Fig. E



## OPERACIÓN

**⚠ ADVERTENCIA:** Para reducir el riesgo de lesiones personales, apague la unidad y desconéctela de la fuente de energía antes de realizar cualquier ajuste o retirar/instalar conexiones o accesorios.

Una activación de arranque accidental puede causar lesiones.

**⚠ ADVERTENCIA:** Es importante apoyar bien la pieza de trabajo y sostener el taladro firmemente con ambas manos para evitar una pérdida de control que podría provocar lesiones personales.

**⚠ ADVERTENCIA:** No tome la parte delantera del portabrocas y encienda la herramienta para ajustar las brocas (o cualquier otro accesorio). Cuando se cambian los accesorios, se pueden provocar daños al portabrocas y daños personales.

**⚠ ADVERTENCIA:** Antes de realizar ajustes o cambiar accesorios, desenchufe siempre el taladro de la fuente de energía para reducir el riesgo de lesiones.

**⚠ ADVERTENCIA:** Para reducir el riesgo de lesiones, permita que la herramienta trabaje a su propio ritmo. No la sobrecargue.

## Posición Adecuada de las Manos (Fig. E)

**⚠ ADVERTENCIA:** Para reducir el riesgo de lesión personal grave, tenga **SIEMPRE** las manos en una posición adecuada como se muestra.

**⚠ ADVERTENCIA:** Para reducir el riesgo de lesión personal grave, sujete **SIEMPRE** bien en caso de que haya una reacción repentina.

**⚠ ADVERTENCIA:** Si se sobrecarga el taladro, el motor podría atascarse y causar una torsión repentina. Siempre anticipe que esto suceda. Sujete firmemente el taladro con ambas manos para controlar la acción de torsión y evitar lesiones

La posición de manos adecuada requiere una mano en la manija principal (12) y la otra sobre la manija lateral (7).

## Selección del Modo de Taladrado

- Para perforar mampostería, ajuste el selector de modo de taladrado en la posición del “símbolo de percusión”
- Para taladrar en otros materiales y para fijación, ajuste el selector de modo de taladrado en la posición del “símbolo de taladro”

## Selección de la Dirección de Rotación (Fig. A)

Para taladrar y ajustar tornillos, aplique la dirección de avance (rotación en el sentido de las agujas del reloj). Para aflojar tornillos y retirar una broca atascada, aplique la dirección reversa (rotación en sentido contrario a las agujas del reloj).

**NOTA:** La dirección de rotación también se representa mediante una flecha en el moldeado de la herramienta cerca de la palanca de avance/reversa (3).

Nunca cambie la dirección de rotación mientras el motor esté funcionando.

1. Para seleccionar la rotación hacia adelante, empuje la palanca de avance/reversa hacia la derecha (vista desde el extremo del mandril).
2. Para seleccionar la rotación en reversa, empuje la palanca de avance/reversa hacia la izquierda (vista desde el extremo del mandril).


## Ajuste de la Profundidad de Perforación (Fig. A)

1. Gire la agarradera en sentido contrario a las agujas del reloj y afloje el mango lateral (7).
2. Ajuste el tope de profundidad (6) en la posición deseada. La profundidad máxima de perforación es igual a la distancia entre la punta de la broca y el extremo frontal del tope de seguridad.
3. Para ajustar el mago lateral, gire la agarradera en el sentido de las agujas del reloj. Asegúrese de que el mango lateral esté firme y no se resbale.

## Interruptor de Gatillo de Velocidad Variable (Fig. A)

Para encender la herramienta, oprima el interruptor de gatillo ①. Para apagar la herramienta, libere el interruptor de gatillo. Su herramienta está equipada con un freno. El mandril se detendrá tan pronto como el interruptor de gatillo se libere por completo. El interruptor de velocidad variable le permite seleccionar la mejor velocidad para una aplicación en particular. Mientras más apriete el gatillo, más rápido funcionará la herramienta. Use velocidades más bajas para comenzar orificios sin un punzón central, taladrar en metales o plásticos, o insertar tornillos. Para una vida útil máxima de la herramienta, use la velocidad variable sólo para comenzar orificios o sujetadores.

**NOTA:** No se recomienda el uso continuo en rango de velocidad variable. Puede dañar el interruptor y se debe evitar.

 **ADVERTENCIA:** El taladro sólo se debe bloquear en ENCENDIDO cuando se mantiene estacionario en un soporte de taladro u otros medios; ¡NO A MANO! Nunca desconecte la herramienta con la función de bloqueo activada. Hacerlo hará que la herramienta arranque inmediatamente la próxima vez que se conecte.

## Taladrado

- Cuando acople o retire accesorios del taladro, desenchúfelo siempre. Es importante que cuando acople accesorios al portabrocas del taladro asegure con firmeza el portabrocas mediante los tres orificios para evitar el deslizamiento de la broca. Cuando use un portabrocas sin llave, asegure manualmente con firmeza.
- Use solamente brocas para taladro afiladas.
- Sostenga y asegure el trabajo adecuadamente, según se indica en las **Normas de Seguridad Específicas para Taladro Percutor**.
- Utilice equipos de seguridad adecuados y necesarios, como se indica en las **Normas de Seguridad Específicas para Taladro Percutor**.
- Asegure y mantenga el área de trabajo, según se indica en las **Advertencias Generales de Seguridad para Herramientas Eléctricas**.
- Haga funcionar el taladro muy lentamente, con poca presión, hasta que el orificio producido sea tal que contenga la broca y evite que se deslice del mismo.
- Aplique presión en línea recta con la broca. Utilice presión suficiente para mantener la broca funcionando, pero no tanto como para ahogar el motor o ladear la broca.
- Sostenga firmemente el taladro con las dos manos para controlar la torsión. Una mano se debe poner en la mango lateral.
- Se deben usar taladros equipados con un mango lateral.
- No apriete el interruptor de disparo en las posiciones de encendido y apagado con el fin de intentar hacer

funcionar la broca atorada - esto puede dañar el taladro.



**ADVERTENCIA:** Si se sobrecarga el taladro, el motor podría atascarse y causar una torsión repentina. Siempre anticipe que esto suceda. Sujete firmemente el taladro con ambas manos para controlar la acción de torsión y evitar lesiones

- Para minimizar las posibilidades de atascamiento durante una perforación, disminuya la presión y taladre lentamente hasta la última parte del orificio.
- Mantenga el motor en funcionamiento mientras retira la broca de un orificio taladrado. Esto ayudará a reducir atascamientos.

## Taladrado en madera

Los orificios en madera se pueden realizar con las mismas brocas de taladro helicoidales que se usan para los metales o con brocas de pala. Estas brocas deben estar afiladas y se deben retirar con frecuencia mientras se taladra para limpiar las virutas de las ranuras.

## Taladrado en metal

Utilice un lubricante de corte cuando taladre metales. Las excepciones son el bronce y el hierro fundido que deben taladrarse en seco. Los lubricantes de corte que funcionan mejor son el aceite de corte sulfurizado o el aceite de grasa de cerdo.

## Taladrado en Mampostería (Cambie el Taladro al Modo de Percusión, si Viene Equipado)

Utilice brocas para mampostería con puntas de carburo. Consulte la sección **Taladrado**. Mantenga una fuerza pareja sobre el taladro, pero que no sea tanta como para agrietar el material frágil. Un flujo de virutas uniforme y suave indica que se taladra a la velocidad adecuada.

### CAPACIDADES MÁXIMAS RECOMENDADAS

Voltios	120 V C.A. Seulement
Amperios	7,0
RPM	0–3100
BPM	0–52700
Capacidad	32 mm en madera (1–1/4") 13 mm en metal (1/2") 16 mm en hormigón (5/8")

## MANTENIMIENTO



**ADVERTENCIA:** Para reducir el riesgo de lesiones personales graves, apague la herramienta y desconéctela de la fuente de alimentación antes de realizar ajustes o de retirar/instalar dispositivos o accesorios. Un arranque accidental podría causar lesiones.

## Accesorios

**!** **ADVERTENCIA:** Debido a que no se han probado con este producto otros accesorios que no sean los que ofrece CRAFTSMAN, el uso de dichos accesorios con esta herramienta podría ser peligroso. Para reducir el riesgo de lesiones, con este producto deben usarse sólo los accesorios recomendados por CRAFTSMAN.

Los accesorios que se recomiendan para utilizar con la herramienta están disponibles a un costo adicional en su distribuidor local o en un centro de mantenimiento autorizado. Si necesita ayuda para localizar algún accesorio, póngase en contacto con Craftsman Tool Co., 701 East Joppa Road, Towson, MD 21286, llame al **1-888-331-4569** o visite nuestro sitio web: [www.craftsman.com/registration](http://www.craftsman.com/registration).

### Versatrack™ (Fig. F)

**!** **ADVERTENCIA:** Para reducir el riesgo de lesiones personales, apague la unidad y desconéctela de la fuente de energía antes de realizar cualquier ajuste o retirar/installar conexiones o accesorios. Una activación de arranque accidental puede causar lesiones.

**!** **ADVERTENCIA:** Para reducir el riesgo de lesiones personales graves, no use un gancho para colgar Versatrack™ o Trackwall de Versatrack™ dañados. Un gancho para colgar Versatrack™ o Trackwall de Versatrack™ dañados no soportarán el peso de la herramienta.

**!** **ADVERTENCIA:** Para reducir el riesgo de lesiones personales graves, NO suspenda la herramienta por encima ni cuelgue objetos del gancho. SÓLO suspenda la herramienta en el Trackwall de Versatrack™ con el gancho para colgar Versatrack™.

**!** **ADVERTENCIA:** Asegúrese que el peso de la herramienta no exceda el peso máximo nominal para el gancho Versatrack™ seleccionado.

**!** **ADVERTENCIA:** Cuando cuelgue objetos en la pared Versatrack™, espacie adecuadamente las herramientas para no exceder 35 kg (75 lbs) por pie lineal.

**IMPORTANTE:** Los accesorios Versatrack™ montan herramientas compatibles con seguridad al sistema Trackwall de Versatrack™.

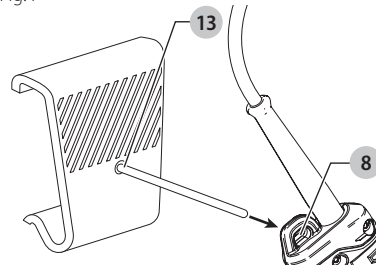
1. Apague la herramienta, retire los accesorios y desconéctelo de la fuente de alimentación.

**!** **ATENCIÓN:** Cualquier producto con dientes de corte expuestos debe tenerlos cubiertos de forma segura si va a estar en el Trackwall.

2. Monta el gancho de clavija **13** a el Trackwall de Versatrack™
3. Diapositiva el gancho de clavija a través del aro **8** en herramienta.

**NOTA:** Los accesorios Versatrack™ para uso con su herramienta están disponibles por un costo adicional a partir de su distribuidor local o centro de servicio autorizado. Si necesita ayuda para encontrar cualquier accesorio, comuníquese con CRAFTSMAN, llame al **1-888-331-4569**.

Fig. F



## Limpieza

**!** **ADVERTENCIA:** Sople la suciedad y el polvo de todos los conductos de ventilación con aire seco, al menos una vez por semana. Para reducir el riesgo de lesiones, utilice siempre protección para los ojos aprobada ANSI Z87.1 al realizar esta tarea.

**!** **ADVERTENCIA:** Nunca utilice solventes ni otros químicos abrasivos para limpiar las piezas no metálicas de la herramienta. Estos productos químicos pueden debilitar los materiales plásticos utilizados en estas piezas. Utilice un paño humedecido sólo con agua y jabón neutro. Nunca permita que penetre líquido dentro de la herramienta ni sumerja ninguna de las piezas en un líquido.

## Reparaciones

**!** **ADVERTENCIA:** Para asegurar la SEGURIDAD y la CONFIABILIDAD del producto, las reparaciones, el mantenimiento y los ajustes (inclusive la inspección y el cambio de las escobillas, cuando proceda) deben ser realizados en un centro de mantenimiento en la fábrica CRAFTSMAN u en un centro de mantenimiento autorizado CRAFTSMAN. Utilice siempre piezas de repuesto idénticas.

**Para reparación y servicio de sus herramientas eléctricas, favor de dirigirse al Centro de Servicio más cercano**

### CULIACAN, SIN

Bld. Emiliano Zapata 5400-1 Poniente Col. (667) 717 89 99  
San Rafael

### GUADALAJARA, JAL

Av. La Paz #1779 - Col. Americana Sector (33) 3825 6978  
Juárez

### MEXICO, D.F.

Eje Central Lázaro Cárdenas No. 18 - Local (55) 5588 9377  
D, Col. Obrera

### MERIDA, YUC

Calle 63 #459-A - Col. Centro (999) 928 5038

### MONTERREY, N.L.

Av. Francisco I. Madero 831 Poniente - Col. (818) 375 23 13  
Centro

## ESPAÑOL

### PUEBLA, PUE

17 Norte #205 - Col. Centro (222) 246 3714

### QUERETARO, QRO

Av. San Roque 274 - Col. San Gregorio (442) 2 17 63 14

### SAN LUIS POTOSI, SLP

Av. Universidad 1525 - Col. San Luis (444) 814 2383

### TORREON, COAH

Blvd. Independencia, 96 Pte. - Col. Centro (871) 716 5265

### VERACRUZ, VER

Prolongación Díaz Mirón #4280 - Col. Remes (229) 921 7016

### VILLAHERMOSA, TAB

Constitución 516-A - Col. Centro (993) 312 5111

#### PARA OTRAS LOCALIDADES:

**Si se encuentra en México, por favor llame al (55) 5326 7100**

**Si se encuentra en U.S., por favor llame al 1-888-331-4569**

## Póliza de Garantía

### IDENTIFICACIÓN DEL PRODUCTO:

Sello o firma del Distribuidor.

Nombre del producto: \_\_\_\_\_

Mod./Cat.: \_\_\_\_\_

Marca: \_\_\_\_\_

Núm. de serie: \_\_\_\_\_

(Datos para ser llenados por el distribuidor)

Fecha de compra y/o entrega del producto:

Nombre y domicilio del distribuidor donde se adquirió el producto:

Este producto está garantizado por un año a partir de la fecha de entrega, contra cualquier defecto en su funcionamiento, así como en materiales y mano de obra empleados para su fabricación. Nuestra garantía incluye la reparación o reposición del producto y/o componentes sin cargo alguno para el cliente, incluyendo mano de obra, así como los gastos de transportación razonablemente erogados derivados del cumplimiento de este certificado.

Para hacer efectiva esta garantía deberá presentar su herramienta y esta póliza sellada por el establecimiento comercial donde se adquirió el producto, de no contar con ésta, bastará la factura de compra.

### Excepciones

Esta garantía no será válida en los siguientes casos:

- Cuando el producto se hubiese utilizado en condiciones distintas a las normales;
- Cuando el producto no hubiese sido operado de acuerdo con el instructivo de uso que se acompaña;

- Cuando el producto hubiese sido alterado o reparado por personas distintas a las enlistadas al final de este certificado.

Anexo encontrará una relación de sucursales de servicio de fábrica, centros de servicio autorizados y franquiciados en la República Mexicana, donde podrá hacer efectiva su garantía y adquirir partes, refacciones y accesorios originales.

Solamente para propósito de México:

Importado por: Craftsman Tool Co. S.A. de C.V.  
Avenida Antonio Dovali Jaime, # 70 Torre B Piso 9  
Colonia La Fe, Santa Fé  
Código Postal : 01210  
Delegación Alvaro Obregón  
México D.F.  
Tel. (52) 555-326-7100  
R.F.C.: BDE810626-1W7

## Registro en línea

Gracias por su compra. Registre su producto ahora para:

- **SERVICIO EN GARANTÍA:** Si completa esta tarjeta, podrá obtener un servicio en garantía más eficiente, en caso de que exista un problema con su producto.
- **CONFIRMACIÓN DE PROPIEDAD:** En caso de una pérdida que cubra el seguro, como un incendio, una inundación o un robo, el registro de propiedad servirá como comprobante de compra.
- **PARA SU SEGURIDAD:** Si registra el producto, podremos comunicarnos con usted en el caso improbable que se deba enviar una notificación de seguridad conforme a la Federal Consumer Safety Act (Ley Federal de Seguridad de Productos para el Consumidor).

Registro en línea en [www.craftsman.com/registration](http://www.craftsman.com/registration).

## Garantía Limitada por Tres Años

CRAFTSMAN reparará o reemplazará, sin cargo, cualquier defecto debido a materiales o mano de obra defectuosos por tres años desde la fecha de compra. Esta garantía no cubre falla de partes debido al desgaste normal o abuso de la herramienta. Para detalles adicionales de la cobertura de la garantía e información de reparación de garantía, visite [www.craftsman.com](http://www.craftsman.com) o llame al 1-888-331-4569.

Esta garantía no se aplica a accesorios o daño causado cuando otros hayan realizado o intentado reparaciones. ESTA GARANTÍA LIMITADA SE OTORGA EN LUGAR DE TODAS LAS DEMÁS, INCLUIDA LA GARANTÍA IMPLÍCITA DE COMERCIABILIDAD E IDONEIDAD PARA UN PROPÓSITO EN PARTICULAR, Y EXCLUYE TODOS LOS DAÑOS INCIDENTALES O EN CONSECUENCIA. Algunos estados no permiten limitaciones sobre la duración de una garantía implícita o la exclusión o limitación de daños incidentales o en consecuencia, por lo que estas limitaciones pueden no aplicarse en su caso. Esta garantía le da derechos legales específicos y puede tener otros derechos que varían en ciertos estados o provincias.

## **GARANTÍA DE REEMBOLSO DE SU DINERO POR 90 DÍAS**

Si no está completamente satisfecho con el desempeño de su máquina herramienta o clavadora CRAFTSMAN, cualquiera sea el motivo, podrá devolverlo hasta 90 días de la fecha de compra con su recibo y obtener el reembolso completo de su dinero – sin necesidad de responder a ninguna pregunta.

**AMÉRICA LATINA:** Esta garantía no se aplica a los productos que se venden en América Latina. Para los productos que se venden en América Latina, debe consultar la información de la garantía específica del país que viene en el empaque, llamar a la compañía local o visitar el sitio Web a fin de obtener esa información.

**REEMPLAZO GRATUITO DE LAS ETIQUETAS DE ADVERTENCIAS:** Si sus etiquetas de advertencia se vuelven ilegibles o faltan, llame al **1-888-331-4569** para que se le reemplacen gratuitamente.





CRAFTSMAN , 701 East Joppa Road, Towson, MD 21286  
Copyright © 2018