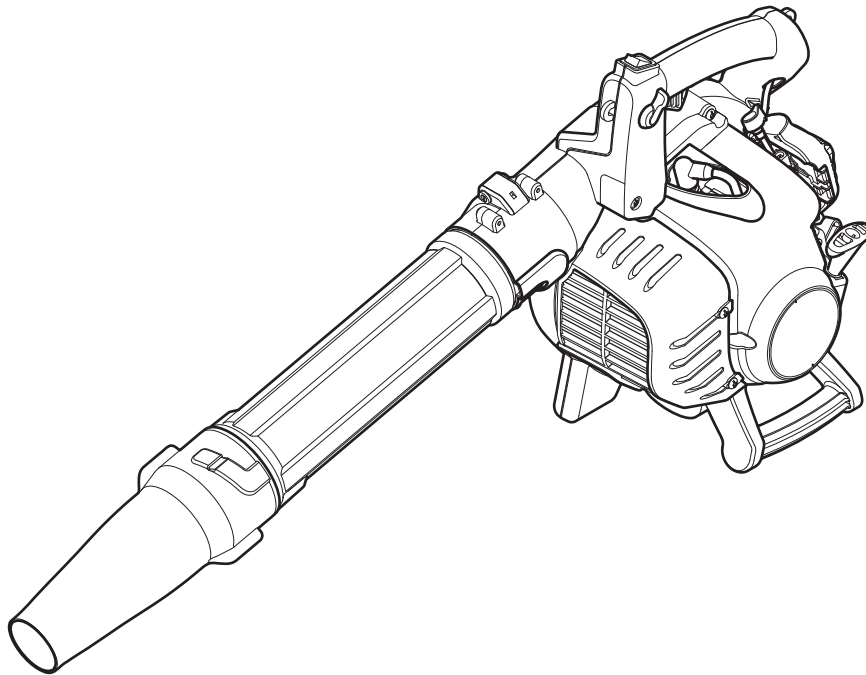


# CRAFTSMAN®

OPERATOR'S MANUAL | MANUAL DEL OPERADOR

## 2-CYCLE ELECTRIC START CAPABLE HANDHELD BLOWER SOPLADORA MANUAL DE 2 TIEMPOS CON CAPACIDAD PARA ARRANQUE ELÉCTRICO



**B250**

CMXGAAMR27BL



IF YOU HAVE QUESTIONS OR COMMENTS, CONTACT US.  
SI TIENE DUDAS O COMENTARIOS, CONTÁCTENOS.

**1-888-331-4569**

**WWW.CRAFTSMAN.COM**

## TABLE OF CONTENTS

Safety .....	2
Know Your Unit .....	6
Specifications .....	6
Assembly .....	7
Oil and Fuel .....	8
Starting and Stopping .....	9
Operation .....	11
Maintenance .....	12
Cleaning and Storage .....	14
Troubleshooting .....	15
Warranty .....	16
Service Numbers .....	Back Cover

All information, illustrations, and specifications in this manual are based on the latest product information available at the time of printing. We reserve the right to make changes at any time without notice.

The product may vary slightly from the illustrations contained in this manual.

## SAFETY

The purpose of safety symbols is to attract your attention to possible dangers. The safety symbols, and their explanations, deserve your careful attention and understanding. The safety warnings do not by themselves eliminate any danger. The instructions or warnings they give are not substitutes for proper accident prevention measures.

### SYMBOL MEANING

 **DANGER:** Signals an EXTREME hazard. Failure to obey a safety **DANGER** symbol **WILL** result in serious injury or death to yourself or to others.

 **WARNING:** Signals a SERIOUS hazard. Failure to obey a safety **WARNING** symbol **CAN** result in serious injury to yourself or to others.

 **CAUTION:** Signals a MODERATE hazard. Failure to obey a safety **CAUTION** symbol **MAY** result in property damage or injury to yourself or to others.

**NOTE:** Advises you of information or instructions vital to the operation or maintenance of the equipment.

### SPARK ARRESTOR NOTE

**NOTE: For users on U.S. Forest Land and in the states of California, Maine, Oregon and Washington.** All U.S. Forest Land and the state of California (Public Resources Codes 4442 and 4443), Oregon and Washington require, by law that certain internal combustion engines operated on forest brush and/or grass-covered areas be equipped with a spark arrestor, maintained in effective working order, or the engine be constructed, equipped and maintained for the prevention of fire. Check with your state or local authorities for regulations pertaining to these requirements. Failure to follow these requirements could subject you to liability or a fine. **This unit is factory equipped with a spark arrestor.** If it requires replacement, contact your local service dealer to install the appropriate muffler assembly.

 **WARNING:** This product can expose you to chemicals including engine exhaust, which is known to the State of California to cause cancer, and carbon monoxide, which is known to the State of California to cause birth defects or other reproductive harm. For more information go to [www.P65Warnings.ca.gov](http://www.P65Warnings.ca.gov).

**Read the operator's manual and follow all warnings and safety instructions. Failure to do so can result in serious injury to the operator and/or bystanders.**

# • IMPORTANT SAFETY INSTRUCTIONS •

## READ ALL INSTRUCTIONS BEFORE OPERATING



**WARNING:** When using the unit, all safety instructions must be followed. Please read these instructions before operating the unit in order to ensure the safety of the operator and any bystanders. Please keep these instructions for later use.

- Read the instructions carefully. Be familiar with the controls and proper use of the unit. Know how to stop the unit and disengage the controls quickly.
- Stay alert. Do not operate this unit when tired, ill or under the influence of alcohol, drugs or medication.
- Never allow children to operate the unit. Teens must be trained, accompanied and supervised by an adult. Never allow adults to operate the unit without proper instruction.
- All guards and safety attachments must be installed properly before operating the unit.
- Inspect the unit before use. Check for damaged parts. Check for fuel leaks. Make sure all parts operate properly. Make sure all fasteners are in place and secure. Make sure all moving parts are properly aligned and are not bound. Replace parts that are cracked, chipped, or damaged in any way. Have all damaged or improperly working parts repaired or replaced by an authorized service center. Do not operate the unit with loose or damaged parts.
- Be aware of risk of injury to the head, hands and feet.
- Carefully inspect the area before starting the unit. Remove rocks, broken glass, nails, wire, string and other objects that may be thrown or become entangled with the unit.
- Clear the area of children, bystanders and pets; keep them outside a 50-foot (15 m) radius, at a minimum. Even then, they are still at risk from thrown objects. Encourage bystanders to wear eye protection. If you are approached, stop the unit immediately.
- Squeeze the throttle control and check that it returns automatically to the idle position. Make all adjustments or repairs before using the unit.
- Do not change the engine governor settings or overspeed the engine.
- This unit is intended for occasional, household use only.

## SAFETY WARNINGS FOR GAS UNITS



**WARNING:** Gasoline is highly flammable and its vapors can explode if ignited. Take the following precautions:

- Store fuel only in containers specifically designed and approved for the storage of such materials.
- Always stop the engine and allow it to cool before filling the tank. Never remove the fuel tank cap or add fuel when the engine is hot. Always loosen the fuel tank cap slowly to relieve any pressure in the tank before fueling.
- Always mix and add fuel in a clean, well-ventilated outdoor area where there are no sparks or flames. DO NOT smoke.
- Never operate the unit without the fuel cap securely in place.
- Avoid creating a source of ignition for spilled fuel. Wipe up any spilled fuel from the unit immediately, before starting the unit. Move the unit at least 30 ft. (9.1 m) from the fueling source and site before starting the engine. DO NOT smoke.
- Never start or run the unit inside a closed room or building. Breathing exhaust fumes can kill. Operate this unit only in a well-ventilated outdoor area.

## WHILE OPERATING

- Wear safety glasses or goggles that meet current ANSI / ISEA Z87.1 standards and are marked as such. Wear ear/hearing protection when operating this unit. Wear a face mask or dust mask if the operation is dusty.
- Wear heavy long pants, boots, gloves and a long sleeve shirt. Do not wear loose clothing, jewelry, short pants, sandals or go barefoot. Secure hair above shoulder level.
- Use the unit only in daylight or good artificial light.
- Avoid accidental starting. Be in the starting position whenever pulling the starter rope. The operator and unit must be in a stable position while starting. Refer to *Starting and Stopping*.
- Use the right tool. Only use this tool for its intended purpose. Only use the unit as described in this manual.
- Always hold the unit with a firm grip when operating.
- Do not overreach. Always keep proper footing and balance. Take extra care when working on stairs, steep slopes or inclines. To avoid serious injury, do not operate the unit while on a ladder or a roof.
- Keep hands, face, and feet away from all moving parts. Do not touch or try to stop moving parts.
- Do not touch the engine or muffler. These parts get extremely hot from operation, even after the unit is turned off.
- Do not operate the unit faster than the speed needed to do the job. Do not run the unit at high speed when not in use.
- Do not force the unit. It will do a better, safer job when used at the intended rate.

- Always turn the unit off when operation is delayed or when carrying the unit from one location to another. Make sure all moving parts come to a complete stop.
- Before setting the unit down, always make sure the engine is off and all moving parts have stopped.
- If the unit strikes or becomes entangled with a foreign object, stop the unit immediately. Check for damage. If damaged, do not restart or operate the unit until it is repaired. Do not operate the unit with loose or damaged parts.
- Turn the engine off and disconnect the spark plug for maintenance or repair.
- Use only original equipment manufacturer (OEM) replacement parts and accessories for this unit. These are available from your authorized service dealer. Use of any other parts or accessories could lead to serious injury to the user, or damage to the unit, and void the warranty.
- Keep the unit clean. Carefully remove vegetation and other debris that could block moving parts.
- To reduce fire hazard, replace a faulty muffler and spark arrestor. Keep the engine and muffler free from grass, leaves, excessive grease or carbon build up.
- If the unit starts to vibrate abnormally, stop the unit immediately. Inspect the unit for the cause of the vibration. Vibration is generally an indicator of trouble.

## BLOWER SAFETY

- Do not insert anything into the air openings or blower tubes. Do not operate the unit if any of the air openings or tubes are blocked. Keep the air openings free from dust, lint, hair and anything else that may reduce airflow.
- Do not operate the unit without the blower tubes securely attached.
- Do not use the unit to spray liquids, especially flammable or combustible liquids, such as gasoline. Do not use the unit in areas where such liquids are present.
- Do not use the unit for spreading chemicals, fertilizer or any other substance that may contain toxic materials.
- Do not set the unit down on any surface while the unit is running. Debris can be picked up by the air intake and thrown out the discharge opening, resulting in damage to the unit or property or causing serious injury to bystanders or the operator.
- During operation, never point the unit in the direction of people, animals, windows or automobiles. Always direct blowing debris away from people, animals, windows or automobiles.
- Use extra caution when blowing debris near solid objects, such as trees, walls, fences, etc. When possible, blow away from such objects, not toward them.
- Take care when working near valuable plants. The force of the blown air could damage tender plants.
- Never attempt to clear a clogged air intake opening while the unit is running.
- Keep hair, fingers and all other body parts away from moving parts and openings.







## OTHER SAFETY WARNINGS









- Maintain the unit with care. Follow all maintenance instructions in this manual.
- Do not perform maintenance procedures other than those described in this manual. All service, other than the maintenance procedures described in this manual, should be performed by an authorized service dealer.
- Never remove, modify or make inoperative any safety device furnished with the unit.
- Before inspecting, maintaining, cleaning, storing, transporting or replacing any parts on the unit:
  1. Stop the unit. Refer to *Starting and Stopping*.
  2. Make sure all moving parts have stopped.
  3. Allow the unit to cool.
  4. Disconnect the spark plug wire.
- Secure the unit while transporting.
- Never store the unit with fuel in the tank, inside a building where fumes may reach an open flame (pilot lights, etc.) or sparks (switches, electrical motors, etc.).
- Store the unit in a dry place, secured or at a height to prevent unauthorized use or damage. Keep the unit out of the reach of children.
- Never douse or squirt the unit with water or any other liquid. Keep handles dry and clean (free from debris, oil and grease). Clean the unit after each use. Refer to *Cleaning and Storage*. Do not use solvents or strong detergents.
- Keep these instructions. Refer to them often and use them to instruct other users. If you loan this unit to others, also loan them these instructions.

## SAVE THESE INSTRUCTIONS

• SAFETY & INTERNATIONAL SYMBOLS •

This operator's manual describes safety and international symbols and pictographs that may appear on this product. Read the operator's manual for complete safety, assembly, operating and maintenance and repair information.

SYMBOL	MEANING
	<ul style="list-style-type: none"> <li>• <b>SAFETY ALERT SYMBOL</b> Indicates danger, warning or caution. May be used in conjunction with other symbols or pictographs.</li> </ul>
	<ul style="list-style-type: none"> <li>• <b>READ OPERATOR'S MANUAL</b> <b>WARNING:</b> Read the operator's manual(s) and follow all warnings and safety instructions. Failure to do so can result in serious injury to the operator and/or bystanders.</li> </ul>
	<ul style="list-style-type: none"> <li>• <b>WEAR EYE AND HEARING PROTECTION</b> <b>WARNING:</b> Thrown objects and loud noise can cause severe eye injury and hearing loss. Wear eye protection meeting current ANSI / ISEA Z87.1 standards and ear protection when operating this unit. Use a full face shield when needed.</li> </ul>
	<ul style="list-style-type: none"> <li>• <b>UNLEADED FUEL</b> Always use clean, fresh unleaded fuel.</li> </ul>
	<ul style="list-style-type: none"> <li>• <b>OIL</b> Refer to operator's manual for the proper type of oil.</li> </ul>
	<ul style="list-style-type: none"> <li>• <b>DO NOT USE E85 FUEL IN THIS UNIT</b> <b>CAUTION:</b> It has been proven that fuel containing greater than 10% ethanol will likely damage this engine and void the warranty.</li> </ul>

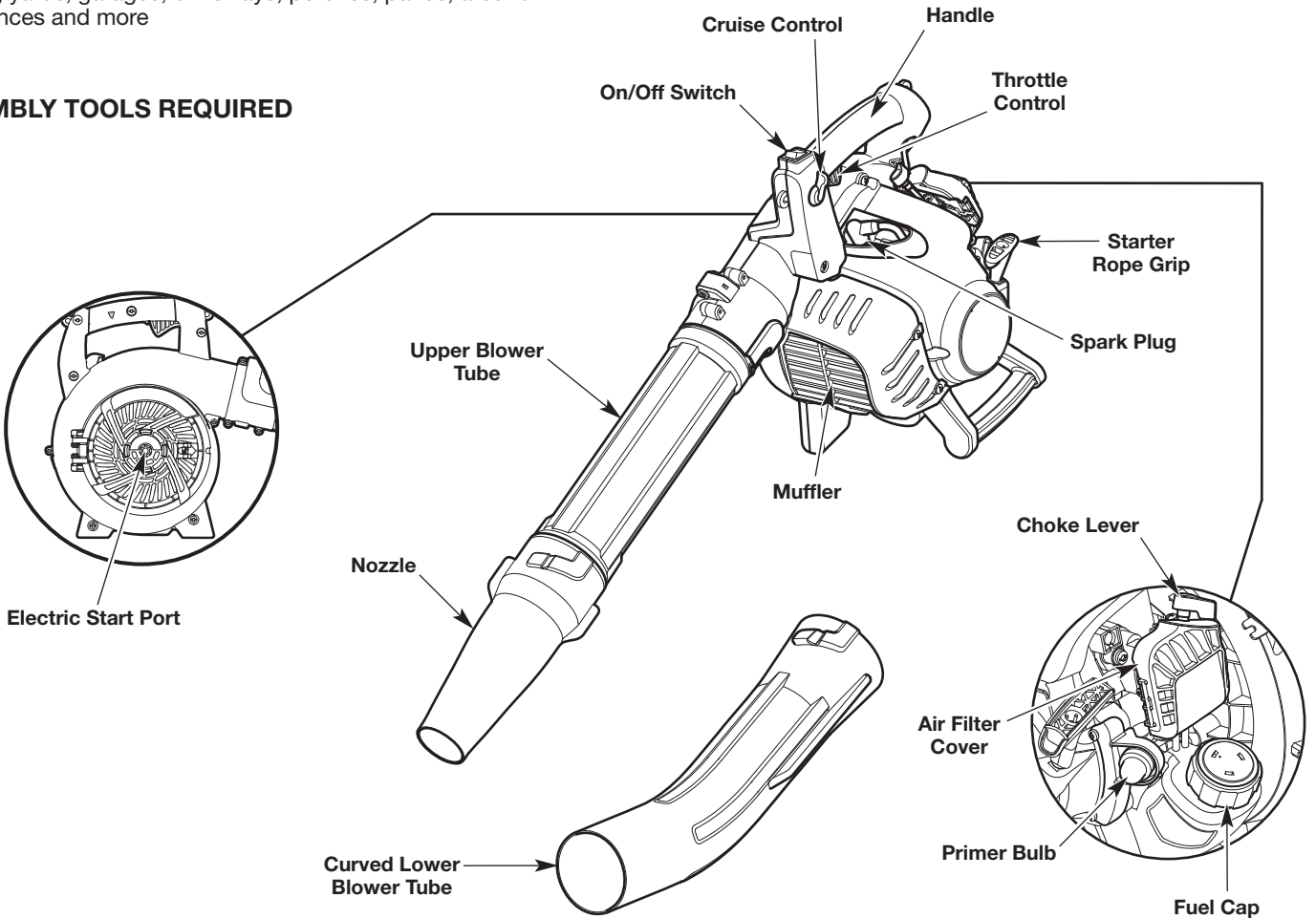
SYMBOL	MEANING
	<ul style="list-style-type: none"> <li>• <b>ON/OFF STOP CONTROL</b> ON / START / RUN</li> </ul>
	<ul style="list-style-type: none"> <li>• <b>ON/OFF STOP CONTROL</b> OFF or STOP</li> </ul>
	<ul style="list-style-type: none"> <li>• <b>PRIMER BULB</b> Push primer bulb, fully and slowly, 10 times.</li> </ul>
	<ul style="list-style-type: none"> <li>• <b>CHOKE CONTROL</b> <ul style="list-style-type: none"> <li>• START choke position</li> <li>• RUN choke position</li> </ul> </li> </ul>
	<ul style="list-style-type: none"> <li>• <b>THROWN OBJECTS CAN CAUSE SEVERE INJURY</b> <b>WARNING:</b> Small objects can be propelled at high speed, causing injury.</li> </ul>
	<ul style="list-style-type: none"> <li>• <b>KEEP BYSTANDERS AWAY</b> <b>WARNING:</b> Keep all bystanders, especially children and pets, at least 50 feet (15 m) from the operating area.</li> </ul>
	<ul style="list-style-type: none"> <li>• <b>HOT SURFACE</b> <b>WARNING:</b> Do not touch a hot muffler or cylinder. You may get burned. These parts get extremely hot from operation. When turned off, they remain hot for a short time.</li> </ul>
	<ul style="list-style-type: none"> <li>• <b>BLOWERS - ROTATING IMPELLER BLADES CAN CAUSE SEVERE INJURY</b> <b>WARNING:</b> Stop the engine and allow the impeller to stop before changing tubes, cleaning or performing any maintenance.</li> </ul>

# KNOW YOUR UNIT

## APPLICATIONS

- Cleaning yards, garages, driveways, porches, patios, around walls, fences and more

## NO ASSEMBLY TOOLS REQUIRED



## SPECIFICATIONS\*

Engine Type .....	Air-Cooled, 2-Cycle
Displacement .....	27 cc (1.64 cu. in.)
Spark Plug Gap .....	0.025 in. (0.635 mm)
Spark Plug .....	Champion® RDJ7J or equivalent plug
Lubrication .....	Fuel/Oil Mixture
Fuel/Oil Ratio .....	40:1
Fuel Tank Capacity .....	14 oz. (414 ml)
Approximate Unit Weight (No fuel) .....	9.5 - 10.5 lbs. (4.3 - 4.8 kg)
Air Volume** (measured at: outlet / blower tube / nozzle) .....	450 / 425 / 310 cfm (12 / 12 / 8 m <sup>3</sup> /min)
Air Speed (Peak)** (measured at: outlet / blower tube / nozzle) .....	120 / 125 / 205 mph (193 / 201 / 330 km/h)
Air Speed (Average)** (measured at: outlet / blower tube / nozzle) .....	100 / 105 / 175 mph (161 / 169 / 282 km/h)

\* All specifications are based on the latest product information available at the time of printing. We reserve the right to make changes at any time without notice.

\*\* Measured per ANSI B175.2.

## ASSEMBLY



**WARNING:** To avoid serious personal injury and damage to the unit, shut the unit off before removing or installing blower tubes or nozzles.



**WARNING:** To prevent serious personal injury, never operate the unit without the upper blower tube firmly installed.

### INSTALLING THE BLOWER TUBE(S) AND NOZZLE

Always install the upper blower tube. The nozzle and curved lower blower tube are optional.

#### Installing the Upper Blower Tube

1. Set the unit on a flat, level surface.
2. Align the bumps on the upper end of the upper blower tube with the slots on the blower outlet (Fig. 1).
3. Insert the upper blower tube into the blower outlet (Fig. 1).
4. While holding the handle, twist the upper blower tube clockwise until it locks into place (Fig. 1).

#### Installing the Nozzle or Curved Lower Blower Tube

1. Set the unit on a flat, level surface.
2. Align the slots on the nozzle or curved lower blower tube with the bumps on the lower end of the upper blower tube (Fig. 2).
3. Install the nozzle or curved lower blower tube onto the upper blower tube (Fig. 2).
4. While holding the upper blower tube, twist the nozzle or curved lower blower tube clockwise until it locks into place (Fig. 2). The tabs on the upper blower tube should align with the tabs on the nozzle (Fig. 3).

**NOTE:** The tabs on the upper blower tube will not completely align with the tabs on the curved lower blower tube.

### REMOVING THE BLOWER TUBE(S) AND NOZZLE

#### Removing the Upper Blower Tube

1. Insert a flat-head screwdriver into the tube lock. Turn the screwdriver counterclockwise 1/4 turn and hold it in place (Fig. 4).
2. Twist the upper blower tube counterclockwise until it unlocks from the blower outlet (Fig. 4).
3. Remove the upper blower tube from the blower outlet.

#### Removing the Nozzle or Curved Lower Blower Tube

1. While holding the upper blower tube, twist the nozzle or curved lower blower tube counterclockwise until it unlocks from the blower tube.
2. Remove the nozzle or curved lower blower tube from the upper blower tube.

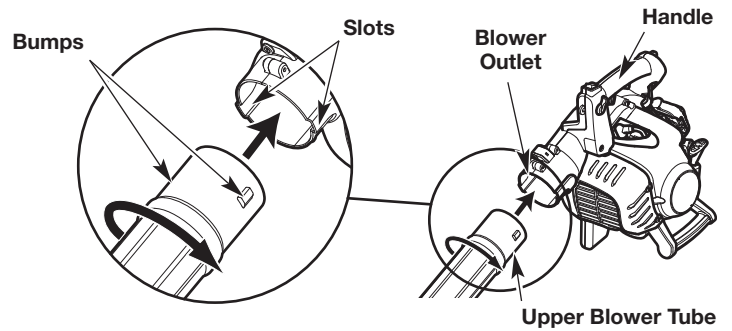


Fig. 1

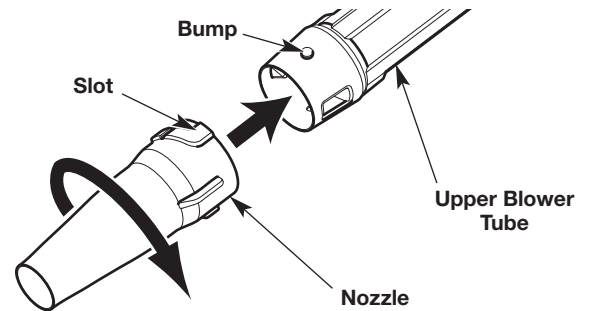


Fig. 2

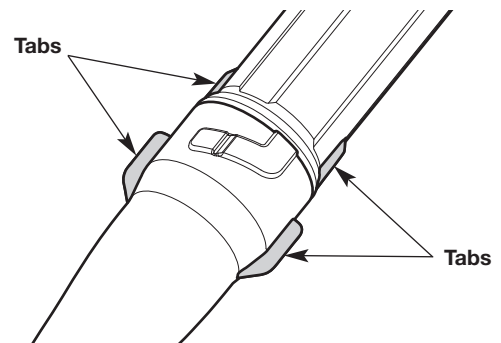


Fig. 3

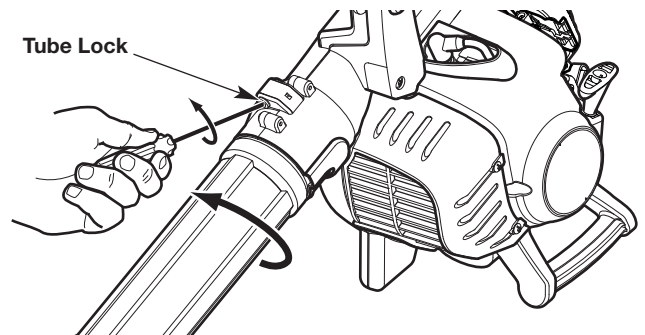


Fig. 4

# OIL AND FUEL

## OIL AND FUEL MIXING INSTRUCTIONS

The use of old and/or improperly mixed fuel is the most common cause of performance problems. Use only fresh, clean unleaded gasoline. Follow the instructions carefully for the proper gasoline/oil mixture.

### Definition of Blended Fuels


Today's fuels are often a blend of gasoline and oxygenates such as ethanol, methanol or MTBE (ether). Alcohol-blended fuel absorbs water. As little as 1% water in the fuel can make fuel and oil separate, forming acids when stored. ALWAYS use fresh fuel (less than 30 days old).

**NOTE:** Dispose of old fuel according to federal, state and local regulations.

### Using Blended Fuels

If using a blended fuel:

- Always use the fresh fuel mix explained in this operator's manual
- Use the fuel additive STA-BIL® or an equivalent
- Always agitate the fuel mix before fueling the unit


	<b>CAUTION: DO NOT USE E85 FUEL IN THIS UNIT.</b> It has been proven that fuel containing greater than 10% ethanol will likely damage this engine and void the warranty.
--	--

### Using Fuel Additives



The container of 2-cycle oil provided with this unit includes a fuel additive to help inhibit corrosion and minimize gum deposits. Always use the brand of 2-cycle oil that came with this unit. If this is unavailable, use a 2-cycle oil designed for air-cooled engines and mix it with a fuel additive, such as STA-BIL Fuel Stabilizer or an equivalent. Add 0.8 oz. (23 ml) of fuel additive per gallon of fuel, according to the instructions on the container. NEVER add fuel additives directly to the unit's fuel tank.

### Mixing the Fuel

**NOTE:** This unit comes with a 3.2 oz. (95 ml) container of 2-cycle oil. To obtain the correct fuel mixture described below, pour the entire container into one gallon of unleaded gasoline.




	<b>CAUTION:</b> For proper engine operation and maximum reliability, pay strict attention to the gasoline and oil mixing instructions on the 2-cycle oil container. Using improperly mixed fuel can severely damage the engine.
--	---

Thoroughly mix the proper ratio of unleaded gasoline with 2-cycle engine oil. Do not mix them directly in the unit's fuel tank. Use a separate fuel can. Use a 40:1 gasoline/oil ratio. See the table below for specific gasoline and oil mixing ratios.

	
<b>Unleaded gasoline</b>	<b>2-cycle oil</b>
<b>1 gallon U.S. (3.8 liters)</b>	<b>3.2 fl. oz. (95 ml)</b>
<b>1 liter</b>	<b>25 ml</b>

**MIXING RATIO - 40:1**

## FUELING THE UNIT

	<b>WARNING:</b> Gasoline is extremely flammable. Ignited vapors may explode. Always stop the engine and allow it to cool before filling the fuel tank. Do not smoke while filling the tank. Keep sparks and open flames at a distance from the area.
	<b>WARNING:</b> Remove the fuel cap slowly to avoid injury from fuel spray. Never operate the unit without the fuel cap securely in place.
	<b>WARNING:</b> Add fuel in a clean, well-ventilated outdoor area. Wipe up any spilled fuel immediately. Avoid creating a source of ignition for spilled fuel. Do not start the engine until fuel vapors dissipate.

1. Position the unit with the fuel cap facing up.
  2. Slowly remove the fuel cap.
  3. Place the fuel container spout into the fuel tank fill hole and fill the tank.
- NOTE:** Do not overfill the tank.
4. Wipe up any fuel that may have spilled.
  5. Reinstall the fuel cap.
  6. Move the unit at least 30 ft. (9.1 m) from the fuel container and the fueling site before starting the engine.



## STARTING AND STOPPING



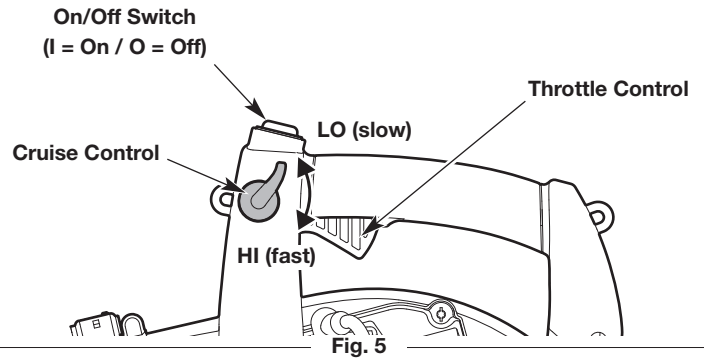
**WARNING:** Operate this unit only in a well-ventilated outdoor area. Carbon monoxide exhaust fumes can be lethal in a confined area.



**WARNING:** Avoid accidentally starting the unit. To avoid serious injury, the operator and the unit must be in a stable position when pulling the starter rope (Fig. 7).



**WARNING:** When starting the unit, make sure it is not directed toward people, animals, windows, automobiles or loose debris.



### STARTING INSTRUCTIONS

**NOTE:** There is no need to turn the unit on. The On/Off switch is in the **On (I)** position at all times (Fig. 5).

**NOTE:** This unit includes a cruise control, which allows the operator to maintain the desired engine speed without having to squeeze the throttle control.

#### Before Starting the Unit

1. Mix gasoline with oil. Refer to *Oil and Fuel Mixing Instructions*.
2. Fill the fuel tank. Refer to *Fueling the Unit*.

#### Starting the Unit

1. Slowly press and release the primer bulb **10 times** (Fig. 6).
2. Move the cruise control to the **LO (slow)** position (Fig. 5).

**NOTE:** Keep the cruise control in the **LO (slow)** position and **DO NOT** squeeze the throttle control (Fig. 5) until step 7.

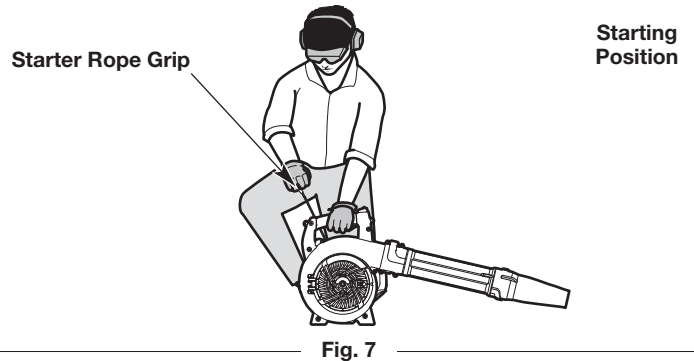
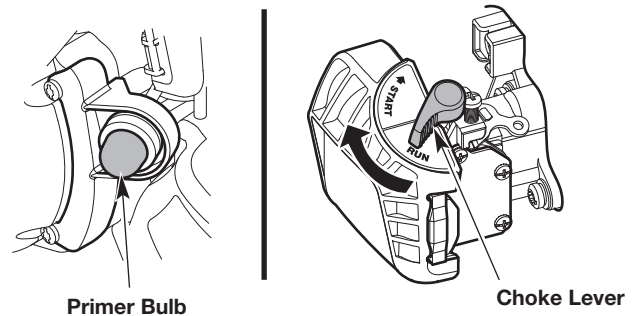
3. Flip the choke lever clockwise until it clicks into the **START** position (Fig. 6).
4. Crouch in the starting position (Fig. 7).
5. Pull the starter rope with a controlled and steady motion until the unit starts.
6. Idle the engine for 30 seconds.
7. Squeeze and hold the throttle control or move the cruise control to the **HI (fast)** position (Fig. 5).

**NOTE:** The engine is properly warmed up when it accelerates without hesitation.

**NOTE:** Once the engine is properly warmed, the cruise control may be adjusted and the throttle control can be used normally.

**IF...** the engine does not start after pulling the starter rope 10 times, repeat the starting procedure.

**IF...** the engine is already warm: Squeeze and hold the throttle control or move the cruise control to the **HI (fast)** position. Pull the starter rope with a controlled and steady motion until the unit starts.



### STOPPING INSTRUCTIONS

1. Release the throttle control, or move the cruise control to the **LO (slow)** position, and allow the engine to idle.
2. Press and hold the On/Off switch in the **Off (O)** position until the engine comes to a complete stop (Fig. 5).

## USING THE ELECTRIC START ACCESSORY

This unit can be started with an optional electric start accessory (items sold separately). Refer to the electric start accessory operator's manual for the proper use of this feature.

Please contact your local Craftsman retailer, call **1-888-331-4569** or visit **www.craftsman.com** for more information.

### STARTING INSTRUCTIONS

**NOTE:** There is no need to turn the unit on. The On/Off switch is in the **On (I)** position at all times (Fig. 5).

**NOTE:** This unit includes a cruise control, which allows the operator to maintain the desired engine speed without having to squeeze the throttle control.

#### Before Starting the Unit

1. Mix gasoline with oil. Refer to *Oil and Fuel Mixing Instructions*.
2. Fill the fuel tank. Refer to *Fueling the Unit*.

#### Starting the Unit

Read the *Operator's Manual* that came with the electric start accessory before attempting these instructions.

1. Slowly press and release the primer bulb **10 times** (Fig. 6).
2. Move the cruise control to the **LO (slow)** position (Fig. 5).

**NOTE: Keep the cruise control in the LO (slow) position and DO NOT squeeze the throttle control (Fig. 5) until step 9.**

3. Flip the choke lever clockwise until it clicks into the **START** position (Fig. 6).
4. Crouch in the starting position (Fig. 7).
5. Insert the electric start accessory into the electric start port (Fig. 8).
6. Run the electric start accessory in intervals no longer than 2 seconds each until the unit starts.
7. Idle the engine for 30 seconds.
8. Remove the electric start accessory from the unit, unless specified otherwise in the electric start accessory *Operator's Manual*.
9. Squeeze and hold the throttle control or move the cruise control to the **HI (fast)** position (Fig. 5).

**NOTE:** The engine is properly warmed up when it accelerates without hesitation.

**NOTE:** Once the engine is properly warmed, the cruise control may be adjusted and the throttle control can be used normally.

**IF...** the engine does not start after running the electric start accessory for 10 intervals, repeat the starting procedure.

**IF...** the engine is already warm: Insert the electric start accessory into the electric start port. Squeeze and hold the throttle control or move the cruise control to the **HI (fast)** position. Run the electric start accessory in intervals no longer than 2 seconds each until the unit starts. Remove the electric start accessory from the unit, unless specified otherwise in the electric start accessory *Operator's Manual*.

### STOPPING INSTRUCTIONS

1. Release the throttle control, or move the cruise control to the **LO (slow)** position, and allow the engine to idle.
2. Press and hold the On/Off switch in the **Off (O)** position until the engine comes to a complete stop (Fig. 5).

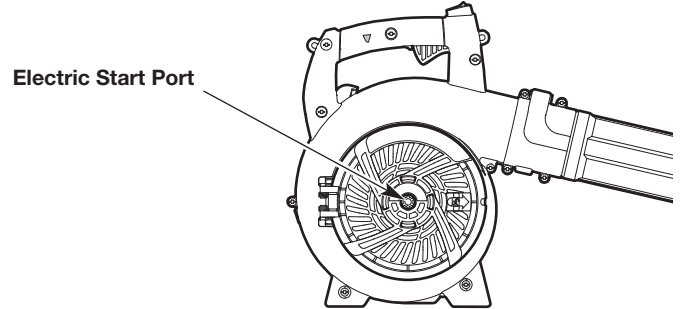


Fig. 8

## OPERATION



**WARNING:** To prevent serious personal injury, never operate the unit without the blower tubes securely attached.



**WARNING:** Always wear eye, hearing, hand, foot and body protection to reduce the risk of injury when operating this unit. Wear a face mask or dust mask if the operation is dusty.

### HOLDING THE UNIT

- Stand in the operating position (Fig. 9). Stand up straight. Do not bend over.
- Keep feet apart and firmly planted.
- Hold the unit with a firm grip.
- Hold the unit in front of, and away from, your body (Fig. 9).



**WARNING:** To prevent serious personal injury or damage to the unit, **DO NOT** hold the unit at your side (Fig. 9). The engine may be extremely hot. **DO NOT** block the air intake.

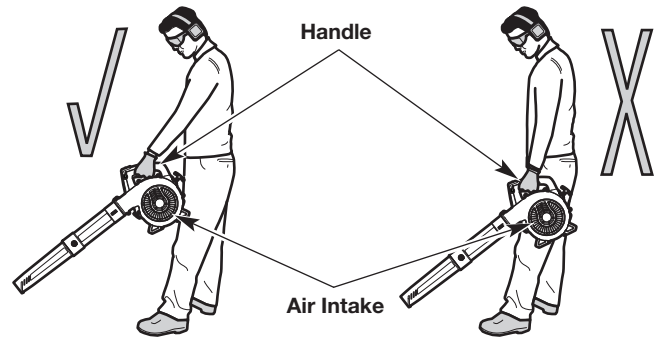


Fig. 9

### TIPS FOR BEST RESULTS

- Conserve water by using the blower instead of a hose to perform many outdoor cleaning actions.
- Operate the unit only at reasonable hours, not early in the morning or late at night when people might be disturbed. Comply with times listed in local ordinances. Usual recommendations are 9:00 a.m. to 5:00 p.m., Monday through Saturday.
- To reduce noise levels, operate the unit at the lowest speed needed to do the job. Limit the number of pieces of power equipment used at any one time.
- Use rakes or brooms to loosen debris before operation.
- In dusty conditions, slightly dampen surfaces.
- Use the cruise control to make continuous operation easier (Fig. 5).
- Watch out for children, pets, open windows and freshly washed cars. Blow debris safely away. Never direct the unit toward anyone while the unit is in operation.
- Sweep the unit from side to side with the blower tube several inches above the ground. Slowly advance, keeping the accumulated debris in front of the operator.
- Use the nozzle to concentrate the air stream closer to the ground.
- Clean up after operation. Dispose of debris appropriately.

## MAINTENANCE



**WARNING:** To avoid serious personal injury, always stop the engine and allow it to cool before cleaning or maintaining the unit. Never perform cleaning or maintenance while the unit is running. Disconnect the spark plug wire to prevent the unit from starting accidentally.



**WARNING:** Wear protective clothing and observe all safety instructions to prevent serious personal injury.

### MAINTENANCE SCHEDULE

Perform these required maintenance procedures at the frequency stated in the table. These procedures should also be a part of any seasonal tune-up.

**NOTE:** Some maintenance procedures may require special tools or skills. If you are unsure about these procedures, take the unit to an authorized service dealer. Call **1-888-331-4569** for more information.

**NOTE:** Maintenance, replacement, or repair of the emission control devices and system may be performed by an authorized service dealer. Call **1-888-331-4569** for more information.

**NOTE:** Please read the California/EPA statement that came with the unit for a complete listing of terms and coverage for the emissions control devices, such as the spark arrestor, muffler, carburetor, etc.

FREQUENCY	MAINTENANCE REQUIRED
Every 10 hours	<ul style="list-style-type: none"><li>Clean and re-oil the air filter. Refer to <i>Maintaining the Air Filter</i>.</li></ul>
Every 25 hours	<ul style="list-style-type: none"><li>Check the spark plug condition and gap. Refer to <i>Maintaining the Spark Plug</i>.</li></ul>

### MAINTAINING THE AIR FILTER

Failure to maintain the air filter can result in poor performance or can cause permanent damage to the engine. Engine failure due to improper air filter maintenance is not covered by the product warranty.

#### Cleaning the Air Filter

1. Open the air filter cover: press in the lock tab and swing the air filter cover to the left (Fig. 10).
2. Remove the air filter (Fig. 10).
3. Wash the air filter in detergent and water. Rinse the air filter thoroughly and allow it to dry.
4. Lightly coat the air filter with clean SAE 30 oil.
5. Squeeze the air filter to spread and remove excess oil.
6. Reinstall the air filter (Fig. 10).

**NOTE:** Operating the unit without the air filter and air filter cover will VOID the warranty.

7. Close the air filter cover: insert the tabs on the air filter cover into the slots on the backplate. Swing the air filter cover to the right and press it closed until the lock tab snaps into place (Fig. 10).

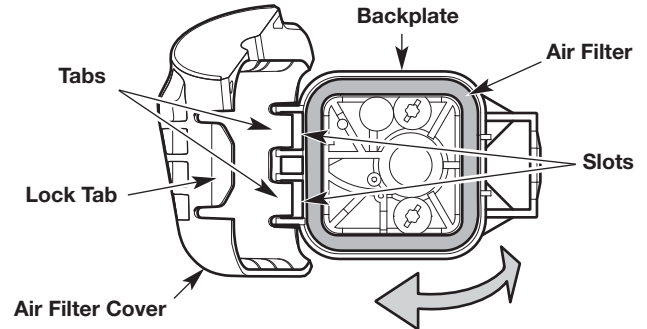


Fig. 10

## ADJUSTING THE IDLE SPEED

If the engine will not idle properly:

1. Start the engine. Refer to *Starting and Stopping*.
2. Move the cruise control to the **LO (slow)** position and let the engine idle.

**NOTE:** Make sure the choke lever is **NOT** engaged while adjusting the idle speed.

- If the engine stops, increase the idle speed. Use a small Phillips screwdriver to turn the idle speed screw clockwise, 1/8 of a turn at a time, until the engine idles smoothly (Fig. 11).

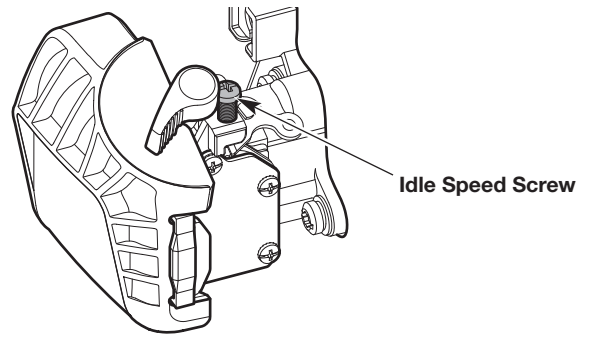


Fig. 11

## MAINTAINING THE SPARK PLUG

1. Stop the engine and allow it to cool. Grasp the spark plug boot firmly and pull it from the spark plug.
2. Clean around the spark plug. Remove the spark plug from the cylinder head with a 5/8-inch socket, turning counterclockwise.



**WARNING:** Do not sand blast, scrape or clean spark plug electrodes. Grit in the engine could damage the cylinder.

3. Inspect the spark plug. If the spark plug is cracked, fouled or dirty, replace it with replacement part #753-06847, a **Champion RDJ7J** or an equivalent spark plug.
4. Use a feeler gauge to set the air gap at **0.025 in. (0.635 mm)** (Fig. 12).
5. Install the spark plug in the cylinder head. Tighten the spark plug with a 5/8-inch socket, turning it clockwise until snug.

**NOTE:** If using a torque wrench, torque to:

**110-120 in.•lb. (12.3-13.5 N•m). Do not over tighten.**

6. Reattach the spark plug boot.

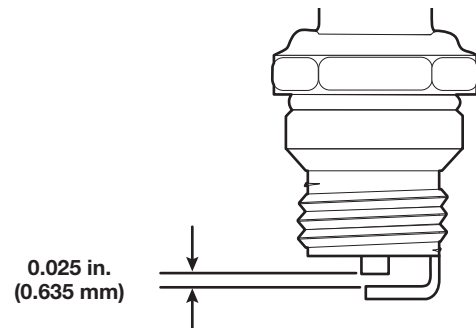


Fig. 12

## CLEANING AND STORAGE

### CLEANING



**WARNING:** To avoid serious personal injury, always stop the engine and allow it to cool before cleaning or maintaining the unit.

Use a small brush to clean the outside of the unit. Do not use strong detergents. Household cleaners that contain aromatic oils such as pine and lemon, and solvents such as kerosene, can damage plastic. Wipe off any moisture with a soft cloth.

### STORAGE

- Never store a fueled unit where fumes may reach an open flame or spark.
- Allow the engine to cool before storing.
- Lock up the unit to prevent unauthorized use or damage.
- Store the unit in a dry, well-ventilated area.
- Store the unit out of the reach of children.

#### Long-term Storage

1. Remove the fuel cap, tip the unit and drain the fuel into an approved container. Reinstall the fuel cap.
2. Start the engine and allow it to run until it stalls. This ensures that all fuel has been drained from the carburetor.
3. Allow the engine to cool. Remove the spark plug and put 5 drops of any high-quality motor oil or 2-cycle oil into the cylinder. Pull the starter rope slowly to distribute the oil. Reinstall the spark plug.
4. Thoroughly clean the unit and inspect it for any loose or damaged parts. Repair or replace damaged parts and tighten loose screws, nuts or bolts.

#### Preparing the Unit for Use after Long-term Storage

1. Remove the spark plug. Tip the unit and drain all of the oil from the cylinder into an approved container. Reinstall the spark plug.

**NOTE:** Do not use fuel that has been stored for more than 30 days. Dispose of old fuel and oil according to federal, state and local regulations.

## TROUBLESHOOTING

PROBLEM	SOLUTION
<b>THE ENGINE WILL NOT START</b>	
The fuel tank is empty	Fill the fuel tank with properly-mixed fuel
The primer bulb was not pressed enough	Press the primer bulb 10 times
The engine is flooded	Squeeze the throttle control and pull the starter rope until the engine starts
The fuel is old (over 30 days) and/or improperly mixed	Drain the fuel tank and add fresh, properly-mixed fuel
The spark plug is fouled	Replace the spark plug
The choke lever was not flipped	Refer to <i>Starting Instructions</i> in the <i>Starting and Stopping</i> section
<b>THE ENGINE WILL NOT IDLE</b>	
The air filter is dirty	Clean or replace the air filter
The fuel is old (over 30 days) and/or improperly mixed	Drain the fuel tank and add fresh, properly-mixed fuel
The idle speed is incorrect	Adjust the idle speed
<b>THE ENGINE WILL NOT ACCELERATE</b>	
The fuel is old (over 30 days) and/or improperly mixed	Drain the fuel tank and add fresh, properly-mixed fuel
The air filter is dirty	Clean or replace the air filter
<b>THE ENGINE LACKS POWER OR STALLS</b>	
The fuel is old (over 30 days) and/or improperly mixed	Drain the fuel tank and add fresh, properly-mixed fuel
The air filter is dirty	Clean or replace the air filter
The spark plug is fouled	Replace the spark plug

**If further assistance is required, contact an authorized service center.**

# WARRANTY

## MTD LLC

### LIMITED WARRANTY FOR CRAFTSMAN® BRANDED HANDHELD PRODUCT

#### Limited Warranty

The limited warranty set forth herein is given by MTD LLC to the Initial Purchaser (as defined herein) with respect to new Craftsman branded hand held product ("Product"). This limited warranty does not cover Emission Control Systems and is not a Federal Emission Control Warranty Statement as defined by U.S. federal law. Please refer to the Federal Emission Control Warranty Statement in the operator's manual for warranties covering Emission Control Systems.

#### Scope Of The Limited Warranty

MTD LLC offers a limited warranty to the Initial Purchaser for residential or otherwise non-commercial use of the Product: subject to the Exclusions defined herein, during the Warranty Period (defined herein). The "Initial Purchaser" is the first person to purchase the Product from an authorized Craftsman branded product dealer, distributor and/or retailer (each a "Retailer"). Except as otherwise set forth herein, the limited warranty period for this new Product purchased by the Initial Purchaser is **two (2) years** from the date of purchase as shown on the original sales receipt for the Product ("Warranty Period").

#### Defects In Workmanship Or Materials

Subject to the Exclusions, the Product is warranted to be free from manufacturing defects in either workmanship or materials for the Warranty Period. During the Warranty Period, MTD LLC will, at its option, either repair or replace any original part that is covered by this limited warranty and is determined to be defective in workmanship or material.

#### To Qualify For This Limited Warranty, The Product:

1. Must have been purchased from an authorized Craftsman branded product Retailer.
2. Must have been purchased within the United States by an Initial Purchaser.
3. Must have been used only for residential or otherwise non-commercial purposes.
4. Must have been used in a manner consistent with the normal and proper intended use.

#### Who Can Perform Repairs Under This Warranty?

In order to qualify for the limited warranty as set forth herein, the repairs made under warranty must be performed by an authorized warranty service provider.

#### How To Get Service Under This Limited Warranty

To locate an authorized warranty service provider, contact your authorized Retailer or contact [www.craftsman.com/warranty](http://www.craftsman.com/warranty) or call toll-free 888-331-4569. A COPY OF YOUR SALES RECEIPT IS REQUIRED FOR WARRANTY SERVICE.

#### What This Limited Warranty Does Not Cover

##### This Limited Warranty Does Not Cover The Following (the "Exclusions"):

1. Product purchased outside of the United States.
2. Damage due to lack of maintenance and/or improper maintenance as described in the operator's manual.
3. Normal wear and tear resulting from use of the Product.
4. Use of the Product that is not consistent with the intended use thereof, as described in the operating instructions, including, but not limited to, abuse, misuse and/or neglect of the Product or any use inconsistent with and/or non-compliant with instructions contained in the operator's manual.
5. Any expendable, consumable, or routine maintenance item which needs replacement or service as part of normal maintenance, unless such items have defects that cause failure or premature wear within the first thirty (30) days. Where applicable, normal wear items include, but are not limited to, bump knobs, outer spools, cutting line, inner reels, starter pulleys, starter ropes, drive belts, saw chains, guide bars, cultivator tines, filters, spark plugs, carrying cases, scabbards, or blades.
6. Any Product that has been altered or modified in a manner not consistent with the original design of the product or in an unapproved way.
7. Paint repairs or replacements for defective paint (including materials and application) are covered for a period of three (3) months.



**This Warranty Does Not Cover And MTD LLC Disclaims Any Responsibility For:**

1. Loss of time or loss of use of the Product.
2. Transportation costs and other expenses incurred in connection with the transport of the Product to and from the authorized service provider.
3. Any loss or damage to other equipment or personal items.
4. Damage resulting from the installation or use of any accessory or non-OEM (original equipment manufacturer) part for use with the Product.

**Limitations:**

1. THERE ARE NO IMPLIED WARRANTIES, INCLUDING, BUT NOT LIMITED TO, ANY IMPLIED WARRANTY OF MERCHANTABILITY OR FITNESS FOR A PARTICULAR PURPOSE. NO WARRANTY APPLIES AFTER THE APPLICABLE WARRANTY PERIOD AS SET FORTH ABOVE AS TO THE PARTS AS IDENTIFIED. NO OTHER EXPRESS WARRANTY OR GUARANTY, WHETHER WRITTEN OR ORAL, EXCEPT AS MENTIONED ABOVE, GIVEN BY ANY PERSON OR ENTITY, INCLUDING A DEALER OR RETAILER, WITH RESPECT TO ANY PRODUCT SHALL BIND MTD LLC. DURING THE WARRANTY PERIOD, THE EXCLUSIVE REMEDY IS REPAIR OR REPLACEMENT OF THE DEFECTIVE PART, AS SET FORTH ABOVE. (SOME STATES DO NOT ALLOW LIMITATIONS ON HOW LONG AN IMPLIED WARRANTY LASTS, SO THE ABOVE LIMITATION MAY NOT APPLY TO YOU.)
2. THE PROVISIONS AS SET FORTH HEREIN PROVIDE THE SOLE AND EXCLUSIVE REMEDY ARISING FROM THE SALE. MTD LLC SHALL NOT BE LIABLE FOR INCIDENTAL OR CONSEQUENTIAL LOSS OR DAMAGES INCLUDING, WITHOUT LIMITATION, FOR TRANSPORTATION OR FOR RELATED EXPENSES, OR FOR RENTAL EXPENSES TO TEMPORARILY REPLACE A WARRANTED PRODUCT. (SOME STATES DO NOT ALLOW THE EXCLUSION OR LIMITATION OF INCIDENTAL OR CONSEQUENTIAL DAMAGES, SO THE ABOVE EXCLUSION OR LIMITATION MAY NOT APPLY TO YOU.)
3. In no event shall recovery of any kind be greater than the amount of the purchase price of the Product sold. Alteration of the safety features of the Product shall void this limited warranty. You assume the risk and liability for loss, damage, or injury to you and your property and/or to others and their property arising out of the use or misuse or inability to use the Product.

**How State Law Relates To This Warranty.**

This limited warranty gives you specific legal rights, and you may also have other rights, which vary from state to state.



## TABLA DE CONTENIDO

Seguridad .....	19
Conozca su unidad .....	23
Especificaciones .....	23
Ensamblaje .....	24
Aceite y combustible .....	25
Arranque y parada .....	26
Operación .....	28
Mantenimiento .....	29
Limpieza y almacenamiento .....	31
Solución de problemas .....	32
Garantía .....	33
Números de servicio .....	Contraportada

Toda la información, las ilustraciones y las especificaciones contenidas en este manual se basan en la información más reciente disponible en el momento de impresión del manual. Nos reservamos el derecho de hacer cambios en cualquier momento sin aviso previo. El producto puede variar ligeramente de las ilustraciones contenidas en este manual.

## SEGURIDAD

El objetivo de los símbolos de seguridad es dirigir su atención hacia posibles peligros. Los símbolos de seguridad, así como sus explicaciones, necesitan su atención y comprensión completas. Las advertencias de seguridad no eliminan por sí mismas ningún peligro. Las instrucciones o advertencias que contienen no reemplazan a las medidas adecuadas de prevención de accidentes.

### SÍMBOLOS SIGNIFICADO



**PELIGRO:** Indica un peligro EXTREMO.

Si no se respeta un símbolo de seguridad de **PELIGRO** usted mismo u otras personas sufrirán lesiones graves o la muerte.



**ADVERTENCIA:** Indica un peligro GRAVE.

Si no se respeta un símbolo de **ADVERTENCIA** de seguridad usted mismo u otras personas **PUEDEN** sufrir lesiones graves.



**PRECAUCIÓN:** Indica un peligro de GRAVEDAD MODERADA.

Si no se respeta un símbolo de seguridad de **PRECAUCIÓN** usted mismo u otras personas **PUEDEN** sufrir lesiones o se **PUEDEN** producir daños materiales.

**NOTA:** Proporciona información o instrucciones de vital importancia para el funcionamiento o el mantenimiento del equipo.

### NOTA SOBRE EL AMORTIGUADOR DE CHISPAS

**NOTA: Para usuarios de los territorios de bosques de EE. UU. y de los estados de California, Maine, Oregon y Washington.**

Todos los territorios de bosques de EE. UU. y los estados de California (Códigos de Recursos Públicos 4442 y 4443), Oregon y Washington exigen por ley, que determinados motores de combustión interna que se operan en zonas cubiertas por malezas de bosque y/o hierbas cuenten con un amortiguador de chispas que se deberá mantener en condiciones de uso adecuadas o que el motor se diseñe, equipe y mantenga para prevenir incendios. Corrobore con las autoridades estatales o locales cuáles son las normativas correspondientes a dichas exigencias. El incumplimiento de dichos requerimientos podría generarle una responsabilidad o una multa. **La presente unidad se equipa en la fábrica con un amortiguador de chispas.** Si requiere reemplazo, póngase en contacto con su representante local de servicio para instalar el conjunto de silenciador adecuado.



**ADVERTENCIA:** Este producto puede exponerlo a productos químicos, incluidos gases de escape del motor, indicados por el estado de California como causantes de cáncer, y monóxido de carbono, indicado por el estado de California como causante de defectos de nacimiento u otros daños reproductivos. Para obtener más información, visite: [www.P65Warnings.ca.gov](http://www.P65Warnings.ca.gov).

**Lea el manual del operador y siga todas las advertencias e instrucciones de seguridad. Si no lo hace, el operador y/o los observadores pueden sufrir lesiones graves.**

# • INSTRUCCIONES DE SEGURIDAD IMPORTANTES •

## LEA TODAS LAS INSTRUCCIONES ANTES DE USAR LA UNIDAD



**ADVERTENCIA:** Se deben respetar todas las instrucciones de seguridad al usar la unidad. Por favor, lea estas instrucciones antes de utilizar la unidad para garantizar la seguridad del operador y los observadores. Por favor, guarde estas instrucciones para su uso posterior.

- Lea las instrucciones con atención. Debe familiarizarse con los controles y con el uso apropiado de la unidad. Sepa cómo detener la unidad y desconectar los controles rápidamente.
- Manténgase alerta. No opere esta unidad si está cansado, enfermo o bajo la influencia de alcohol, drogas o medicamentos.
- Nunca permita a los niños operar la unidad. Los adolescentes deben ser entrenados, acompañados y supervisados por un adulto. Nunca permita a los adultos operar la unidad sin las instrucciones adecuadas.
- Se deben instalar correctamente todos los protectores y accesorios de seguridad antes de operar la unidad.
- Inspeccione la unidad antes de usarla. Verifique si hay piezas dañadas. Compruebe si hay pérdidas de combustible. Compruebe que todas las piezas funcionen correctamente. Compruebe que todas las sujeciones estén en su lugar y bien ajustadas. Compruebe que todas las piezas móviles queden adecuadamente alineadas y no se atasquen. Reemplace las piezas que estén agrietadas, astilladas o dañadas de cualquier manera. Haga reparar o reemplazar por un centro de servicio técnico autorizado todas las piezas que estén dañadas o que no funcionen adecuadamente. No utilice la unidad si hay piezas sueltas o dañadas.
- Tenga en cuenta el riesgo de lesiones en la cabeza, las manos y los pies.
- Inspeccione el área con atención antes de arrancar la unidad. Extraiga las rocas, los vidrios rotos, los clavos, los cables, cordeles y demás objetos que podrían ser arrojados o enredarse en la unidad.
- Despeje la zona de niños, observadores y mascotas; manténgalos fuera de un radio de 50 pies (15 m), como mínimo. Incluso a esa distancia, sigue el riesgo de ser alcanzados por los objetos arrojados por el aire. Sugíérales a los observadores que usen protección ocular. Si alguien se le aproxima, detenga la unidad de inmediato.
- Apriete el control del acelerador y verifique que vuelva automáticamente a la posición de ralentí. Realice todos los ajustes o las reparaciones antes de usar la unidad.
- No cambie la configuración del regulador del motor ni acelere demasiado el motor.
- Esta unidad está diseñada para uso ocasional, para el hogar únicamente.

## ADVERTENCIAS DE SEGURIDAD PARA LAS UNIDADES A GASOLINA



**ADVERTENCIA:** La gasolina es sumamente inflamable y sus vapores pueden explotar si se encienden. Adopte las siguientes precauciones:

- Almacene el combustible únicamente en recipientes diseñados específicamente y aprobados para el almacenamiento de dichos materiales.
- Detenga siempre el motor y déjelo enfriar antes de llenar el depósito. Nunca retire la tapa del depósito de combustible ni agregue combustible cuando el motor esté caliente. Afloje siempre lentamente la tapa del depósito de combustible para descargar la presión que haya en el depósito antes de recargar combustible.
- Mezcle y agregue siempre combustible en una zona al aire libre, limpia y bien ventilada, en la que no haya chispas ni llamas. NO fume.
- Nunca opere la unidad si la tapa del combustible no está bien sujeta en su lugar.
- Evite que se genere una fuente de encendido para el combustible derramado. Limpie de inmediato el combustible derramado de la unidad, antes de encenderla. Mueva la unidad al menos 30 pies (9.1m) de la fuente de combustible y del sitio antes de arrancar el motor. NO fume.
- Nunca arranque ni use la unidad dentro de una habitación o de una construcción cerrada. La inhalación de humos de escape puede ser mortal. Opere esta unidad únicamente en una zona bien ventilada, al aire libre.

## DURANTE LA OPERACIÓN

- Utilice anteojos o antiparras de seguridad que cumplan con las normas ANSI / ISEA Z87.1 vigentes y que tengan la identificación correspondiente. Utilice una protección auditiva al operar esta unidad. Utilice una máscara facial o para polvos si la máquina levanta polvo durante su funcionamiento.
- Use pantalones largos y gruesos, botas, guantes y camisa de mangas largas. No use ropa holgada, alhajas, pantalones cortos, sandalias ni ande descalzo. Sujétese el cabello a nivel de los hombros.
- Use la unidad solamente con luz de día o con una buena luz artificial.
- Evite arranques accidentales. Permanezca en la posición de arranque siempre que tire de la cuerda de arranque. El operador y la unidad deben estar en una posición estable durante el arranque. Consulte *Arranque y Parada*.
- Utilice la herramienta apropiada. Use esta herramienta sólo para el propósito para el que fue diseñada. Sólo use la unidad como se indica en este manual.
- Sostenga siempre firmemente la unidad con ambas manos durante la operación.
- No se extienda demasiado. Siempre debe estar bien afirmado y mantener el equilibrio adecuado. Tenga cuidado al trabajar sobre escalinatas, cuevas empinadas o pendientes. Para evitar lesiones graves, no haga funcionar la unidad desde una escalera de mano o un techo.
- Mantenga las manos, el rostro y los pies alejados de todas las piezas móviles. No toque ni intente detener las piezas móviles.

- No toque el motor ni el silenciador. Estas partes se ponen extremadamente calientes por el funcionamiento, incluso después de que se apaga la unidad.
- No opere la unidad a una velocidad mayor a la necesaria para la tarea. No haga funcionar la unidad a alta velocidad cuando no está en uso.
- No exija demasiado a la unidad. Si se usa a la velocidad para la que fue diseñada, realizará un trabajo más eficiente y seguro.
- Apague siempre la unidad cuando la operación se demora o cuando la traslada de un lugar a otro. Compruebe que todas las piezas móviles se detengan completamente.
- Antes de apoyar la unidad, siempre asegúrese de que el motor esté apagado y que todas las piezas móviles se hayan detenido.
- Si la unidad golpea o se engancha en un objeto extraño, detenga la unidad inmediatamente. Verifique si está dañada. Si hay daño, no vuelva a arrancar o hacer funcionar la unidad hasta hacerlo arreglar. No utilice la unidad si hay piezas sueltas o dañadas.
- Apague el motor y desconecte la bujía para realizar tareas de mantenimiento o reparación.
- Use sólo piezas de reemplazo y accesorios del fabricante del equipo original (OEM) para esta unidad. Los puede adquirir al distribuidor de servicio autorizado. Si usa cualquier otra pieza o accesorio, el usuario podría lesionarse gravemente o la unidad podría dañarse y se anularía la garantía.
- Mantenga limpia la unidad. Quite con cuidado cualquier resto de vegetación u otros residuos que puedan bloquear las piezas móviles.
- A fin de reducir el riesgo de incendio, reemplace el silenciador y el amortiguador de chispas si están averiados. Mantenga el motor y el silenciador libres de hierbas, hojas y de la acumulación excesiva de grasa o de carbono.
- Si la unidad comienza a vibrar en forma anormal, deténgala de inmediato. Inspeccione la unidad para determinar la causa de la vibración. La vibración por lo general indica que hay algún problema.

## SEGURIDAD DE LA SOPLADORA

- No inserte nada en los pasos de aire o los tubos del soplador. No utilice la unidad si uno de los pasos de aire o tubos está tapado. Mantenga los pasos de aire libres de polvo, pelusa, pelo y cualquier cosa que pueda reducir la circulación de aire.
- No utilice la unidad si no están bien colocados los tubos de la sopladora.
- No use la unidad para rociar líquidos, especialmente líquidos inflamables o combustibles, como la gasolina. No use la unidad en lugares donde esos líquidos están presentes.
- No use la unidad para rociar sustancias químicas, fertilizantes u otras sustancias que puedan contener materiales tóxicos.
- No apoye la unidad sobre ninguna superficie mientras está funcionando. La toma de aire puede levantar residuos y expulsarlos por el escape, dañando la unidad u otros bienes o causando lesiones graves a los observadores o al operador.
- Durante la operación, no apunte nunca la unidad en dirección a las personas, animales, ventanas o automóviles. Dirija siempre los residuos soplados lejos de las personas, animales, ventanas y automóviles.
- Tenga aún más cuidado al soplar residuos cerca de objetos sólidos como árboles, muros, vallas, etc. Siempre que pueda, sople en dirección opuesta a esos objetos y no hacia ellos.

- Tenga cuidado cuando trabaja cerca de plantas valiosas. La fuerza del aire soplado puede dañar a las plantas jóvenes.
- No intente nunca destapar una toma de aire mientras la unidad está funcionando.
- Mantenga el cabello, los dedos y otras partes del cuerpo alejados de las piezas móviles y las aberturas.

## OTRAS ADVERTENCIAS DE SEGURIDAD





- El mantenimiento de la unidad debe ser minucioso. Siga todas las instrucciones de mantenimiento de este manual.
- No realice ningún procedimiento de mantenimiento que no figure en este manual. Todas las tareas de reparación, con excepción de los procedimientos de mantenimiento que se describen en este manual, deben ser realizados por un distribuidor de servicio autorizado.
- Nunca extraiga, modifique o deje inoperativo ningún dispositivo de seguridad que venga con la unidad.
- Antes de inspeccionar, mantener, limpiar, guardar, transportar o reemplazar alguna de las piezas en la unidad:
  1. Detenga la unidad. Consulte *Arranque y Parada*.
  2. Asegúrese de que se hayan detenido todas las piezas móviles.
  3. Deje que la unidad se enfríe.
  4. Desconecte el cable de la bujía.
- Sujete la unidad durante el transporte.
- Nunca almacene la unidad con combustible en el depósito, en el interior de una construcción donde las emanaciones puedan alcanzar una llama abierta (luces piloto, etc.) o chispas (interruptores, motores eléctricos, etc.).
- Almacene la unidad en un lugar seco, asegurada o a una altura que evite que se la use sin autorización o se la dañe. Mantenga la unidad lejos del alcance de los niños.
- Nunca rocíe ni arroje chorros de agua ni de ningún otro líquido a la unidad. Mantenga las manijas secas y limpias (sin residuos, aceite ni grasa). Limpie la unidad luego de cada uso. Consulte *Limpieza y almacenamiento*. No utilice solventes o detergentes fuertes.
- Guarde estas instrucciones. Consúltelas con frecuencia y úselas para capacitar a otros usuarios. Si le presta esta unidad a otras personas, también debe prestarles estas instrucciones.

# GUARDE ESTAS INSTRUCCIONES

• SÍMBOLOS INTERNACIONALES Y DE SEGURIDAD •

Este manual del operador describe símbolos de seguridad e internacionales, así como pictogramas, que pueden aparecer en este producto. Lea el manual del operador para obtener información completa sobre seguridad, montaje, funcionamiento, mantenimiento y reparaciones.

SÍMBOLOS SIGNIFICADO

	<p>• <b>SÍMBOLO DE ALERTA DE SEGURIDAD</b></p> <p>Indica peligro, advertencia o precaución. Puede utilizarse junto con otros símbolos o pictogramas.</p>
	<p>• <b>LEA EL MANUAL DEL OPERADOR</b></p> <p><b>ADVERTENCIA:</b> Lea el (los) manual(es) del operador y cumpla todas las advertencias e instrucciones de seguridad. Si no lo hace, el operador y/o los observadores pueden sufrir lesiones graves.</p>
	<p>• <b>UTILICE PROTECCIÓN OCULAR Y AUDITIVA</b></p> <p><b>ADVERTENCIA:</b> Los objetos que son arrojados por el aire y los ruidos fuertes pueden provocar graves lesiones oculares y pérdidas de audición. Cuando opere esta unidad, utilice protección ocular que cumpla con las normas ANSI / ISEA Z87.1 vigentes y protectores auditivos. Utilice una máscara que cubra todo el rostro si es necesario.</p>
	<p>• <b>COMBUSTIBLE SIN PLOMO</b></p> <p>Utilice siempre combustible limpio, nuevo y sin plomo.</p>
	<p>• <b>ACEITE</b></p> <p>Consulte el manual del operador para conocer el tipo adecuado de aceite.</p>
	<p>• <b>NO UTILICE COMBUSTIBLE E85 EN ESTA UNIDAD</b></p> <p><b>PRECAUCIÓN:</b> Se ha demostrado que el combustible que contiene más de un 10% de etanol es probable que dañe este motor y anule la garantía.</p>

SÍMBOLOS SIGNIFICADO

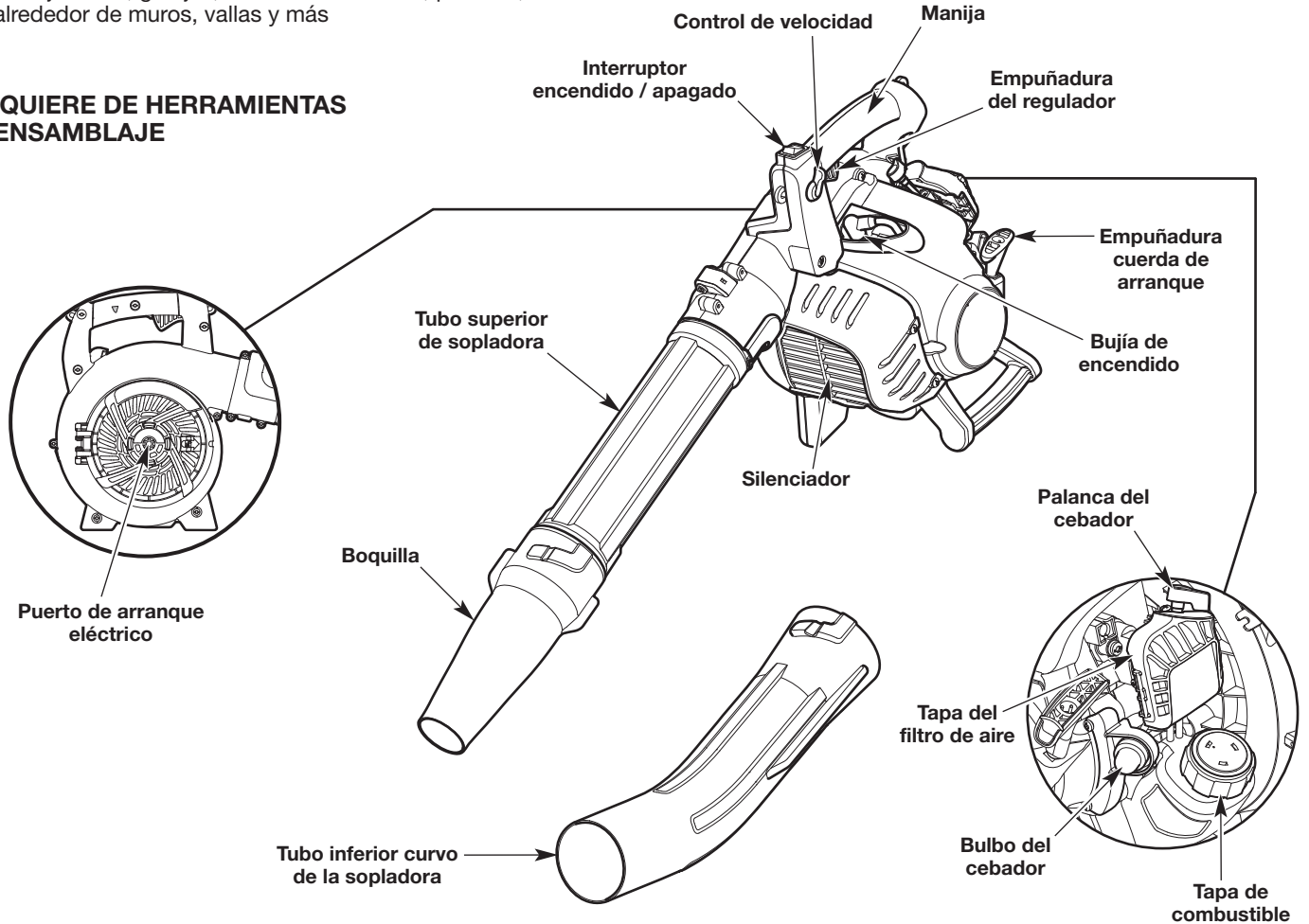
	<p>• <b>APAGADO/ENCENDIDO DE CONTROL DE PARADA</b></p> <p>ENCENDIDO / ARRANQUE / MARCHA</p>
	<p>• <b>APAGADO/ENCENDIDO DE CONTROL DE PARADA</b></p> <p>APAGADO o PARADA</p>
	<p>• <b>BULBO DEL CEBADOR</b></p> <p>Presione por completo el bulbo del cebador lentamente 10 veces.</p>
	<p>• <b>CONTROL DEL ESTRANGULADOR</b></p> <ul style="list-style-type: none"> <li>• Posición START del estrangulador</li> <li>• Posición RUN del estrangulador</li> </ul>
	<p>• <b>LOS OBJETOS ARROJADOS PUEDEN PROVOCAR LESIONES GRAVES</b></p> <p><b>ADVERTENCIA:</b> Los objetos pequeños pueden ser lanzados a gran velocidad y ocasionar lesiones.</p>
	<p>• <b>MANTENGA ALEJADOS A LOS OBSERVADORES</b></p> <p><b>ADVERTENCIA:</b> Mantenga a todos los observadores, especialmente a los niños y las mascotas, al menos a 50 pies (15 m) de la zona de trabajo.</p>
	<p>• <b>SUPERFICIE CALIENTE</b></p> <p><b>ADVERTENCIA:</b> No toque el silenciador o el cilindro cuando estén calientes. Puede quemarse. Estas piezas se calientan extremadamente durante el funcionamiento. Una vez apagadas, continúan calientes durante un período breve.</p>
	<p>• <b>SOPLADORAS – LAS CUCHILLAS EN MOVIMIENTO PUEDEN CAUSAR LESIONES GRAVES</b></p> <p><b>ADVERTENCIA:</b> Detenga el motor y deje que el rotor pare antes de cambiar los tubos, limpiar o realizar cualquier mantenimiento.</p>

## CONOZCA SU UNIDAD

### APLICACIONES

- Limpieza de jardines, garajes, caminos de acceso, porches, patios, alrededor de muros, vallas y más

### NO SE REQUIERE DE HERRAMIENTAS PARA EL ENSAMBLAJE



## ESPECIFICACIONES\*

Tipo de motor	Refrigerado por aire, de 2 ciclos
Desplazamiento	27 cc (1.64 pulgadas cúbicas)
Separación de las bujías	0.025 pulgadas (0.635 mm)
Bujía de encendido	Champion® RDJ7J o bujía equivalente
Lubricación	Mezcla de combustible y aceite
Relación combustible/aceite	40:1
Capacidad del depósito de combustible	14 onzas (414 ml)
Peso aproximado de la unidad (sin combustible)	9.5 - 10.5 libras (4.3 - 4.8 kg)
Volumen de aire** (medido en: salida / tubo de sopladora / boquilla)	450 / 425 / 310 pies <sup>3</sup> /min (12 / 12 / 8 m <sup>3</sup> /min)
Velocidad de aire (Pico)** (medido en: salida / tubo de sopladora / boquilla)	120 / 125 / 205 mph (193 / 201 / 330 km/h)
Velocidad de aire (Promedio)** (medido en: salida / tubo de sopladora / boquilla)	100 / 105 / 175 mph (161 / 169 / 282 km/h)

\* Todas las especificaciones están basadas se basan en la información más reciente sobre el producto disponible al momento de la impresión. Nos reservamos el derecho a realizar cambios en cualquier momento sin previo aviso.

\*\* Medición conforme a la norma ANSI B175.2.



**ADVERTENCIA:** A fin de evitar lesiones personales graves y daños a la unidad, apáguela antes de extraer o instalar los tubos o boquillas de la sopladora.



**ADVERTENCIA:** A fin de evitar que se produzcan lesiones personales graves, no opere nunca la unidad si el tubo superior de la sopladora no está firmemente instalado.

## INSTALACIÓN DEL/DE LOS TUBO(S) Y LA BOQUILLA DE LA SOPLADORA

Instale siempre el tubo superior de la sopladora. La boquilla y el tubo inferior curvo son opcionales.

### Instalación del tubo superior de la sopladora

1. Coloque la unidad sobre una superficie plana y nivelada.
2. Alinee los topes del extremo superior del tubo superior de la sopladora con las ranuras de la salida de la sopladora (Fig. 1).
3. Inserte el tubo superior de la sopladora en la salida de la sopladora (Fig. 1).
4. Mientras sostiene la manija, gire el tubo superior de la sopladora hacia la derecha hasta que calce en su lugar (Fig. 1).

### Instalación de la boquilla o el tubo inferior curvo de la sopladora

1. Coloque la unidad sobre una superficie plana y nivelada.
2. Alinee las ranuras de la boquilla o del tubo inferior curvo de la sopladora con los topes del extremo inferior del tubo superior de la sopladora (Fig. 2).
3. Instale la boquilla o el tubo inferior curvo de la sopladora sobre el tubo superior de la sopladora (Fig. 2).
4. Mientras sostiene el tubo superior de la sopladora, gire la boquilla o el tubo inferior curvo hacia la derecha hasta que calce en su lugar (Fig. 2). Las lengüetas del tubo superior de la sopladora deben alinearse con las lengüetas de la boquilla (Fig. 3).

**NOTA:** Las lengüetas del tubo superior de la sopladora no se alineará completamente con las lengüetas del tubo curvado inferior de la sopladora.

## EXTRACCIÓN DEL/DE LOS TUBO(S) Y LA BOQUILLA DE LA SOPLADORA

### Extracción del tubo superior del soplador

1. Inserte un destornillador de cabeza plana en la traba del tubo. Gire el destornillador 1/4 de vuelta hacia la izquierda y sosténgalo en el lugar (Fig. 4).
2. Gire el tubo superior de la sopladora hacia la izquierda hasta que se destrabe de la salida de la sopladora (Fig. 4).
3. Extraiga el tubo superior del soplador de la salida del mismo.

### Extracción de la boquilla o el tubo inferior curvo de la sopladora

1. Mientras sostiene el tubo superior de la sopladora, gire la boquilla o el tubo inferior curvo hacia la izquierda hasta que se destrabe del tubo de la sopladora.
2. Extraiga la boquilla o el tubo inferior curvo de la sopladora del tubo superior.

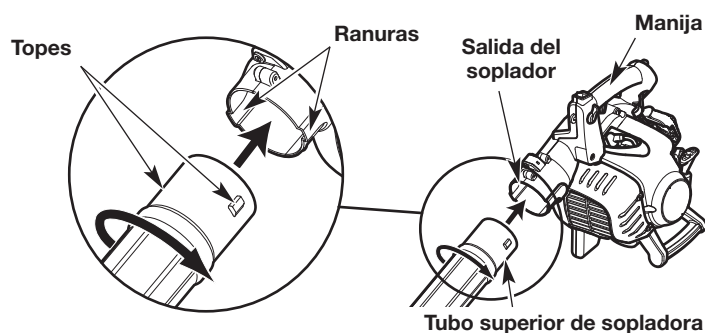


Fig. 1

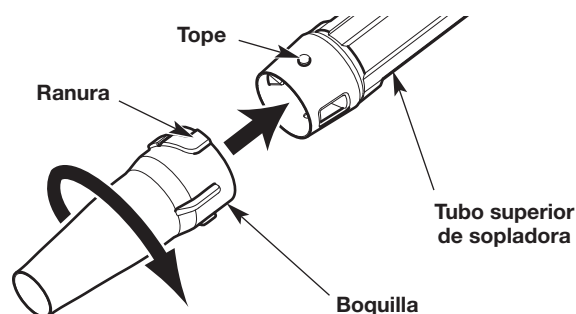


Fig. 2

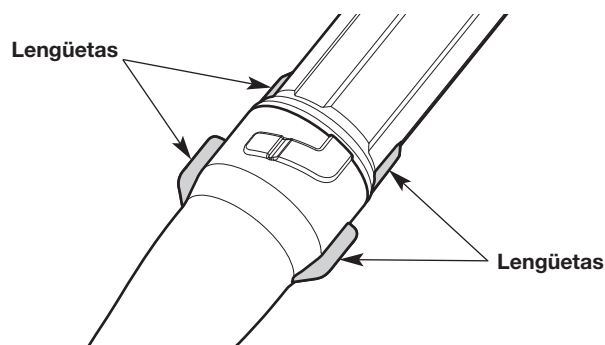


Fig. 3

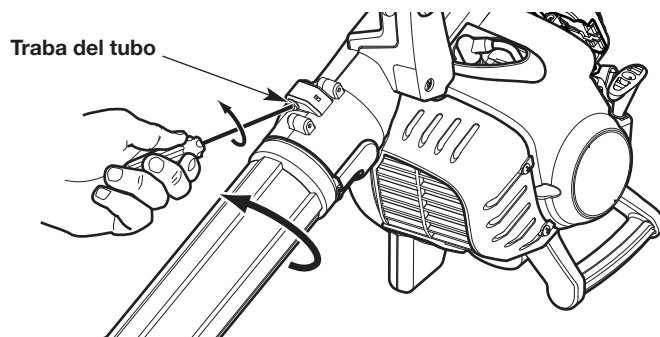


Fig. 4



## INSTRUCCIONES PARA LA MEZCLA DEL ACEITE Y EL COMBUSTIBLE

El uso de combustible viejo y/o mal mezclado es la causa más frecuente de los problemas de rendimiento. Sólo se debe utilizar gasolina nueva, limpia y sin plomo. Siga atentamente las instrucciones para que la mezcla de gasolina/aceite sea adecuada.

### Definición de combustibles mezclados

Actualmente los combustibles con frecuencia son una mezcla de gasolina y oxigenatos como etanol, metanol o éter (éter metílico terciario-butílico, MTBE). Los combustibles con mezcla de alcohol absorben el agua. Con tan solo un 1% de agua en el combustible es posible que el combustible y el aceite se separen, formando ácidos cuando se almacenan. SIEMPRE debe usar combustible nuevo (con menos de 30 días de antigüedad).

**NOTA:** Deseche el combustible usado de acuerdo con las normativas federales, estatales y locales.

### Uso de combustibles mezclados

Si utiliza un combustible mezclado:

- Utilice siempre la mezcla de combustible nueva según se explica en este manual del operador
- Use el aditivo para combustible STA-BIL® u otro equivalente
- Agite siempre la mezcla de combustible antes de recargar combustible en la unidad



**PRECAUCIÓN: NO UTILICE COMBUSTIBLE E85 EN ESTA UNIDAD.** Se ha demostrado que el combustible que contiene más de un 10% de etanol es probable que dañe este motor y anule la garantía.

### Uso de aditivos para el combustible

El recipiente de aceite de 2 ciclos que se suministra con esta unidad contiene un aditivo para combustible que ayuda a inhibir la corrosión y minimiza la formación de depósitos de goma. Utilice siempre la marca de aceite de 2 ciclos que vino con esta unidad. Si no está disponible, utilice un aceite de 2 ciclos que esté diseñado para motores enfriados por aire y mézclelo con un aditivo para combustible, como el estabilizador de combustible STA-BIL u otro equivalente. Agregue 0.8 onzas (23 ml) de aditivo para combustible por galón de combustible según las instrucciones del recipiente. NUNCA agregue aditivos para el combustible directamente al depósito de combustible de la unidad.



### Mezcla del combustible

**NOTA:** La presente unidad viene con un recipiente de 3.2 onzas (95 ml) de aceite de 2 ciclos. Para obtener la mezcla de combustible correcta que se describe a continuación, vierta todo el recipiente dentro de un galón de gasolina sin plomo.



**PRECAUCIÓN:** Para el funcionamiento correcto del motor y la máxima confiabilidad, preste mucha atención y siga estrictamente las instrucciones para la mezcla de la gasolina y el aceite que figuran en el recipiente de aceite de 2 ciclos. El uso de combustible que se mezcló incorrectamente puede dañar gravemente el motor.

Mezcle completamente la proporción adecuada de gasolina sin plomo con el aceite para motor de 2 ciclos. No los mezcle directamente en el depósito de combustible de la unidad. Use una lata de combustible separada. Utilice una proporción de 40:1 de gasolina/aceite. Consulte la tabla a continuación para conocer las proporciones específicas para mezclar la gasolina y el aceite.

	
Gasolina sin plomo	Aceite de 2 ciclos
1 galón EE. UU. (3.8 litros)	3.2 onzas líquidas (95 ml)
1 liter	25 ml

PROPORCIÓN DE LA MEZCLA - 40:1

## CARGA DE COMBUSTIBLE EN LA UNIDAD



**ADVERTENCIA:** La gasolina es extremadamente inflamable. Los vapores encendidos pueden explotar. Detenga siempre el motor y déjelo enfriar antes de llenar el depósito de combustible. No fume mientras llena el depósito. Mantenga las chispas y llamas abiertas a una distancia de la zona.



**ADVERTENCIA:** Retire la tapa del combustible lentamente a fin de evitar lesiones ocasionadas por salpicaduras de combustible. Nunca opere la unidad si la tapa del combustible no está bien sujeta en su lugar.



**ADVERTENCIA:** Agregue combustible en una zona al aire libre, limpia y bien ventilada. Limpie de inmediato la gasolina que se haya derramado. Evite que se genere una fuente de encendido para el combustible derramado. No arranque el motor hasta que se hayan disipado los vapores del combustible.

1. Ubique la unidad con la tapa del combustible orientada hacia arriba.
2. Extraiga lentamente la tapa de combustible.
3. Ubique el pico del recipiente de combustible dentro del orificio de llenado del depósito de combustible y llene el depósito.

**NOTA:** No llene en exceso el depósito de combustible.

4. Limpie el combustible que se pueda haber derramado.
5. Vuelva a colocar la tapa del combustible.
6. Mueva la unidad al menos 30 pies (9.1m) del recipiente de combustible y del sitio de carga de combustible antes de arrancar el motor.

## ARRANQUE Y PARADA



**ADVERTENCIA:** Opere esta unidad únicamente en una zona bien ventilada, al aire libre. Los humos de escape de monóxido de carbono pueden ser mortales en un lugar cerrado.



**ADVERTENCIA:** Se debe evitar arrancar accidentalmente la unidad. A fin de evitar que se produzcan lesiones graves, el operador y la unidad deben estar en una posición estable cuando se jala la cuerda de arranque (Fig. 7).



**ADVERTENCIA:** Cuando arranque la unidad, asegúrese que no esté orientada hacia las personas, animales, ventanas, automóviles o desechos sueltos.

Interruptor encendido / apagado  
(I = Encendido / O = Apagado)

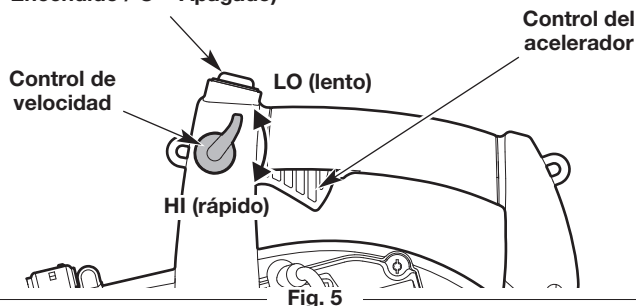


Fig. 5

### INSTRUCCIONES DE ARRANQUE

**NOTA:** No es necesario encender la unidad. El interruptor de encendido/apagado está en la posición **Encendido (I)** en todo momento (Fig. 5).

**NOTA:** Esta unidad incluye un control crucero, que permite al operador mantener la velocidad deseada del motor sin tener que apretar el control del acelerador.

#### Antes de hacer arrancar la unidad

1. Mezcle gasolina con aceite. Consulte las *instrucciones para la mezcla de aceite y combustible*.
2. Cargue el depósito de combustible. Consulte *Carga de combustible en la unidad*.

#### Arranque de la unidad

1. Presione y luego suelte el bulbo del cebador lentamente **10 veces** (Fig. 6).
2. Mueva el control de crucero a la posición **LO (lento)** (Fig. 5).

**NOTA:** Mantenga el control de crucero en posición **LO (lento)** y **NO presione el control del acelerador (Fig. 5)** hasta el paso 7.

3. Gire la palanca del estrangulador hacia la derecha hasta que haga clic en la posición **START** (arranque) (Fig. 6).
4. Agacharse en la posición de arranque (Fig. 7).
5. Tire de la cuerda de arranque con un movimiento controlado y firme hasta que arranque la unidad.
6. Ponga el motor en una marcha lenta durante 30 segundos.
7. Apriete y mantenga oprimido el control del acelerador o mueva el control de crucero a la posición **HI (rápido)** (Fig. 5).

**NOTA:** El motor se calentó adecuadamente cuando acelera sin problemas.

**NOTA:** Cuando el motor se ha calentado correctamente, el control de velocidad puede ajustarse y el control del regulador se puede usar normalmente.

**Si...** el motor no arranca luego de tirar de la cuerda del arranque 10 veces, repita el procedimiento de arranque.

**Si...** el motor ya está caliente: Apriete y mantenga oprimido el control del acelerador o mueva el control de crucero a la posición **HI (rápido)**. Tire de la cuerda de arranque con un movimiento controlado y firme hasta que arranque la unidad.

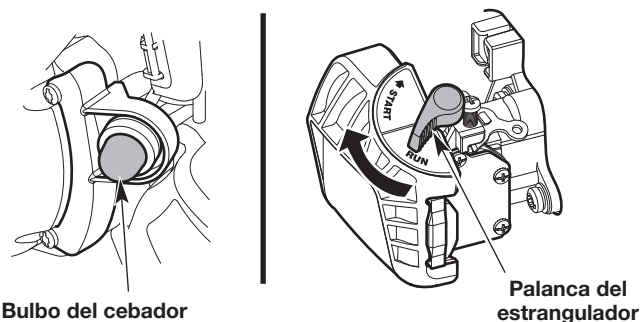
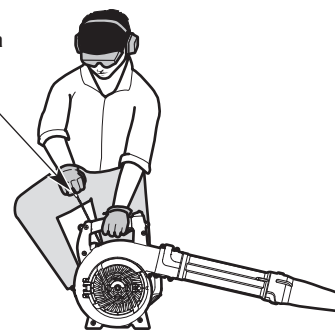


Fig. 6

Empuñadura cuerda de arranque



Posición de arranque

Fig. 7

### INSTRUCCIONES DE PARADA

1. Suelte el control del regulador, o mueva el control de velocidad a la posición **LO (lento)**, y deje que el motor funcione en ralentí.
2. Oprima y mantenga apretado el interruptor de encendido/apagado en la posición **Apagado (O)** hasta que el motor se pare por completo (Fig. 5).

## USO DEL ACCESORIO DE ARRANQUE ELÉCTRICO

Esta unidad se puede arrancar con un accesorio de arranque eléctrico opcional (artículos que se venden por separado). Consulte el manual del operador del accesorio de arranque eléctrico para obtener instrucciones para el uso adecuado de esta función.

Para más información, comuníquese con su distribuidor local Craftsman llamando al **1-888-331-4569** o visite **www.craftsman.com**.

### INSTRUCCIONES DE ARRANQUE

**NOTA:** No hay necesidad de encender la unidad. El interruptor de Encendido/Apagado debe estar en la posición **Encendido (1)** en todo momento (Fig. 5).

**NOTA:** Esta unidad incluye un control crucero, que permite al operador mantener la velocidad deseada del motor sin tener que apretar el control del acelerador.

#### Antes de hacer arrancar la unidad

1. Mezcle la gasolina con el aceite. Consulte las *Instrucciones para mezclar el aceite y el combustible*.
2. Llene el tanque de combustible. Consulte *Abastecer de combustible la unidad*.

#### Arranque de la unidad

Lea el *Manual del operador* del accesorio de arranque eléctrico antes de intentar proceder con estas instrucciones.

1. Oprima y suelte despacio la pera del cebador **10 veces** (Fig. 6).
2. Mueva el control de crucero a la posición **LO (lento)** (Fig. 5).

**NOTA:** Mantenga el control de crucero en posición **LO (lento)** y **NO presione el control del acelerador (Fig. 5) hasta el paso 9.**

3. Gire la palanca del estrangulador hacia la derecha hasta que haga clic en la posición **START** (arranque) (Fig. 6).
4. Agáchese en la posición de arranque (Fig. 7).
5. Inserte el accesorio de arranque eléctrico dentro del orificio de arranque eléctrico (Fig. 8).
6. Haga funcionar el accesorio de arranque eléctrico en intervalos de no más de 2 segundos cada vez hasta que arranque la unidad.
7. Ponga el motor en una marcha lenta durante 30 segundos.
8. Retire el accesorio de arranque eléctrico de la unidad, a menos que se especifique lo contrario en el *Manual del operador* del accesorio de arranque eléctrico.
9. Apriete y mantenga oprimido el control del acelerador o mueva el control de crucero a la posición **HI (rápido)** (Fig. 5).

**NOTA:** Cuando el motor acelera sin fallar, la unidad ya se calentó como es debido.

**NOTA:** Cuando el motor se ha calentado correctamente, el control de velocidad puede ajustarse y el control del regulador se puede usar normalmente.

**SI...** el motor no arranca luego de hacer funcionar el accesorio de arranque eléctrico durante 10 intervalos, repita el procedimiento de arranque.

**SI...** el motor ya está caliente: Inserte el accesorio de arranque eléctrico dentro del orificio de arranque eléctrico. Apriete y mantenga oprimido el control del acelerador o mueva el control de crucero a la posición **HI (rápido)**. Active el accesorio de arranque eléctrico a intervalos no mayores de 2 segundos cada uno hasta que arranque la unidad. Retire el accesorio de arranque eléctrico de la unidad, a menos que se especifique lo contrario en el *Manual del operador* del accesorio de arranque eléctrico.

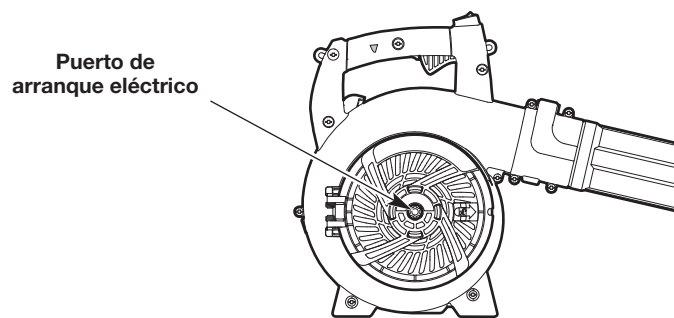


Fig. 8

### INSTRUCCIONES DE APAGADO

1. Suelte el control del regulador, o mueva el control de velocidad a la posición **LO (lento)**, y deje que el motor funcione en ralentí.
2. Oprima y no suelte el interruptor de control de encendido/apagado en la posición **Apagado (0)** hasta que el motor se detenga por completo (Fig. 5).

## OPERACIÓN



**ADVERTENCIA:** Para evitar que se produzcan lesiones personales graves, nunca utilice la unidad si no están bien colocados los tubos del soplador.



**ADVERTENCIA:** Utilice siempre protección ocular, auditiva, de manos, pies y corporal para reducir el riesgo de sufrir lesiones durante la operación de esta unidad. Utilice una máscara facial o para polvos si la máquina levanta polvo durante su funcionamiento.

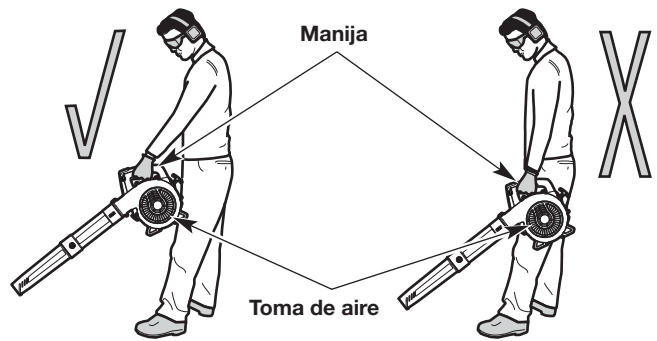


Fig. 9

### CÓMO SOSTENER LA UNIDAD

- Párese en la posición de arranque (Fig. 9). Párese derecho. No se incline sobre el aparato.
- Mantenga los pies alejados y apoyados firmemente sobre el suelo.
- Sostenga la unidad con firmeza.
- Sostenga la unidad delante y separada del cuerpo (Fig. 9).



**ADVERTENCIA:** A fin de evitar que se produzcan lesiones graves o daños a la unidad, **NO** sostenga la unidad en su costado (Fig. 9). El motor puede estar muy caliente. **NUNCA** bloquee la toma de aire.

### RECOMENDACIONES PARA MEJORES RESULTADOS

- Conserve agua utilizando la sopladora en lugar de una manguera para realizar muchas tareas de limpieza en exteriores.
- Opere la unidad sólo en horarios razonables, ni temprano de mañana ni a la noche tarde cuando se puede molestar a la gente. Acate las horas detalladas en las ordenanzas locales. La recomendación usual es de 9:00 am a 5:00 pm, de lunes a sábado.
- Para reducir el nivel de ruido, opere la unidad a la velocidad mínima necesaria para la tarea. Limite el número de equipos de potencia que se utilizan al mismo tiempo.
- Use rastrillos o escobas para aflojar los residuos antes de la operación.
- Cuando hay mucho polvo, humedezca ligeramente las superficies.
- Use el control de velocidad para facilitar la operación continua (Fig. 5).
- Esté atento a los niños, las mascotas, las ventanas abiertas y los autos recién lavados. Sople los residuos lejos de ellos. Nunca debe apuntar la unidad hacia alguien mientras está funcionando.
- Desplace la unidad de un lado al otro con el tubo del soplador varias pulgadas por sobre el suelo. Avance lentamente, manteniendo los desechos acumulados delante del operador.
- Use la boquilla para concentrar el chorro de aire cerca del terreno.
- Limpie al terminar la operación. Elimine los residuos correctamente.

## MANTENIMIENTO



**ADVERTENCIA:** A fin de evitar lesiones personales graves, siempre pare el motor y deje que se enfríe antes de limpiar o mantener la unidad. No realice ninguna tarea de limpieza o mantenimiento mientras la unidad esté en funcionamiento. Desconecte el cable de la bujía para evitar que la unidad arranque accidentalmente.



**ADVERTENCIA:** Utilice vestimenta de protección y respete todas las instrucciones de seguridad para evitar que se produzcan lesiones personales graves.

### PLAN DE MANTENIMIENTO

Lleve a cabo los procedimientos necesarios de mantenimiento con la frecuencia indicada en la tabla. Estos procedimientos deberán también formar parte de cualquier ajuste de temporada.

**NOTA:** Es posible que algunos procedimientos de mantenimiento requieran herramientas o habilidades especiales. Si no está seguro acerca de estos procedimientos, lleve la unidad a un distribuidor de servicio autorizado. Para más información, llame al **1-888-331-4569**.

**NOTA:** Los trabajos de mantenimiento, reemplazo o reparación de los dispositivos y los sistemas de control de emisiones puede realizarlos un distribuidor de servicio autorizado. Para más información, llame al **1-888-331-4569**.

**NOTA:** Para ver la lista completa de términos y la cobertura de los dispositivos de control de emisiones como parachispas, silenciador, carburador, etc., lea la declaración de California/EPA que viene junto con la unidad.

FRECUENCIA	MANTENIMIENTO REQUERIDA
Cada 10 horas	<ul style="list-style-type: none"> <li>Limpie y vuelva a lubricar el filtro de aire. Consulte <i>Mantenimiento del filtro de aire</i>.</li> </ul>
Cada 25 horas	<ul style="list-style-type: none"> <li>Controle el estado y la separación de la bujía de encendido. Consulte <i>Mantenimiento de la bujía de encendido</i>.</li> </ul>

### MANTENIMIENTO DEL FILTRO DE AIRE

Si no se mantiene el filtro de aire se puede obtener un rendimiento insuficiente o se puede dañar el motor de manera permanente. Las averías del motor ocasionadas por un mantenimiento inadecuado del filtro de aire no están cubiertas por la garantía del producto.

#### Limpieza del filtro de aire

1. Abra la cubierta del filtro de aire: oprima la lengüeta de fijación y gire la cubierta del filtro de aire hacia la izquierda (Fig. 10).
2. Extraiga el filtro de aire (Fig. 10).
3. Lave el filtro de aire con agua y detergente. Enjuague minuciosamente el filtro de aire y déjelo secar.
4. Cubra el filtro de aire con una capa ligera de aceite SAE 30 limpio.
5. Apriete el filtro de aire para distribuir y eliminar el exceso de aceite.
6. Vuelva a instalar el filtro de aire (Fig. 10).

**NOTA:** Si se opera la unidad sin el filtro de aire y sin la cubierta del filtro de aire se ANULARÁ la garantía.

7. Cierre la cubierta del filtro de aire: inserte las lengüetas de la cubierta del filtro de aire en las ranuras de la placa posterior. Gire la cubierta del filtro de aire hacia la derecha y oprímala para cerrarla hasta que la lengüeta de fijación calza a presión en su lugar (Fig. 10).

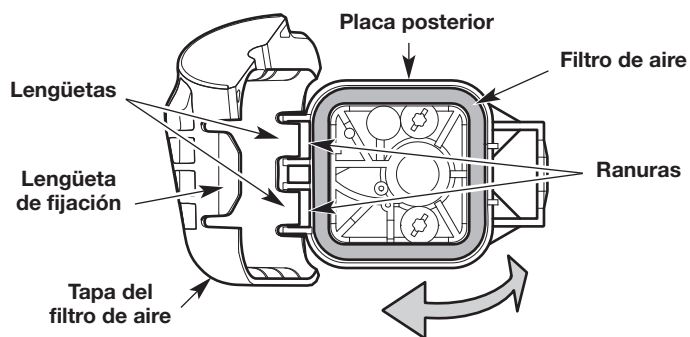


Fig. 10

## AJUSTE DE LA VELOCIDAD DE RALENTÍ

Si el motor no funciona al ralentí correctamente:

1. Arranque el motor. Consulte *Arranque y Parada*.
2. Mueva el control de velocidad a la posición **LO (lento)** y deje que el motor funcione en ralentí.

**NOTA:** Asegúrese de que la palanca del cebador **NO** esté colocada mientras se ajusta la velocidad de ralentí.

- Si el motor se para, aumente la velocidad de ralentí. Use un destornillador Phillips pequeño para girar el tornillo de velocidad de ralentí en el sentido de las agujas del reloj, 1/8 de giro cada vez hasta que el motor funciona al ralentí de manera uniforme (Fig. 11).

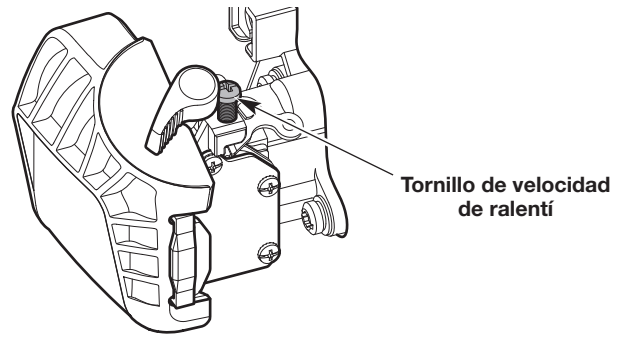


Fig. 11

## MANTENIMIENTO DE LA BUJÍA

1. Detenga el motor y deje que se enfríe. Sujete con firmeza la funda de la bujía y tire para sacarla de la bujía.
2. Limpie alrededor de la bujía. Retire la bujía de la tapa del cilindro con una llave de cubo de 5/8 pulgadas, girando en sentido contrario a las agujas del reloj.



**ADVERTENCIA:** No limpie de forma abrasiva ni raspe o limpie los electrodos de las bujías. La presencia de polvo abrasivo en el motor podría dañar el cilindro.

3. Inspeccione la bujía. Si la bujía está agrietada, averiada o sucia, reemplácela por una pieza de reemplazo n.º **753-06847**, una **Champion RDJ7J** o una bujía equivalente.
4. Use un calibrador de separación para ajustar una separación de aire de **0.025 pulgadas (0.635 mm)** (Fig. 12).
5. Instale la bujía dentro de la tapa del cilindro. Apriete la bujía con una llave de cubo de 5/8 pulgadas, girando en el sentido de las agujas del reloj hasta que quede ajustada.

**NOTA:** Si se usa una llave de par, apriete hasta:

**110-120 pulgada•libra (12.3-13.5 N•m). No ajuste demasiado.**

6. Vuelva a colocar la funda de la bujía.

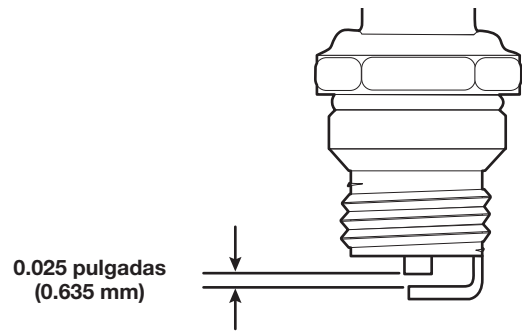


Fig. 12

### LIMPIEZA



**ADVERTENCIA:** A fin de evitar lesiones personales graves, siempre pare el motor y deje que se enfríe antes de limpiar o mantener la unidad.

Use un cepillo pequeño para limpiar el exterior de la unidad. No utilice detergentes fuertes. Los productos de limpieza para el hogar que contienen aceites aromáticos como pino y limón, y los disolventes como el queroseno, pueden dañar el plástico. Limpie todo rastro de humedad con una tela suave.

### ALMACENAMIENTO

- Nunca almacene la unidad con combustible en lugares donde las emanaciones pueden alcanzar llamas abiertas o chispas.
- Deje que se enfríe el motor antes de almacenar la unidad.
- Trabe la unidad para evitar que se la utilice sin permiso o que se provoquen daños.
- Almacene la unidad en una zona seca y bien ventilada.
- Almacene la unidad lejos del alcance de los niños.

#### Almacenamiento a largo plazo

1. Retire la tapa de combustible, incline la unidad y drene el combustible en un recipiente aprobado. Vuelva a colocar la tapa del combustible.
2. Arranque el motor y déjelo correr hasta que se detenga. Esto asegura que todo el combustible se haya drenado del carburador.
3. Deje que el motor se enfríe. Quítele la bujía y eche 5 gotas de cualquier aceite de motor de 2 tiempos de alta calidad en el cilindro. Jale la cuerda de arranque para distribuir el aceite. Coloque nuevamente la bujía.
4. Limpie minuciosamente la unidad e inspeccione si hay alguna pieza suelta o dañada. Repare o reemplace las piezas dañadas y ajuste los tornillos, tuercas o pernos que estén flojos.

#### Preparación de la unidad para su uso luego del almacenamiento a largo plazo

1. Retire la bujía de encendido. Incline la unidad para drenar todo el aceite del cilindro en un recipiente adecuado. Coloque nuevamente la bujía.

**NOTA:** No use combustible que haya estado guardado durante más de 30 días. Deseche el combustible viejo y aceite de acuerdo con las normativas federales, estatales y locales.

## SOLUCIÓN DE PROBLEMAS

PROBLEMA	SOLUCIÓN
<b>EL MOTOR NO ARRANCA</b>	
El depósito de combustible está vacío	Llene el depósito de combustible con combustible que se haya mezclado adecuadamente
El bulbo del cebador no se presionó lo suficiente	Oprima el bulbo del cebador 10 veces
El motor se ahoga	Apriete el control del acelerador y tire de la cuerda de arranque hasta que arranque el motor
El combustible está viejo (más de 30 días) y/o no se mezcló adecuadamente	Drene el depósito de combustible y agregue combustible nuevo, que se haya mezclado adecuadamente
La bujía está averiada	Vuelva a colocar la bujía
La palanca del cebador no fue dada vuelta	Consulte <i>Instrucciones de arranque</i> en la sección <i>Arranque y detención</i>
<b>EL MOTOR NO FUNCIONA AL RALENTÍ</b>	
El filtro de aire está sucio	Limpie o reemplace el filtro de aire
El combustible está viejo (más de 30 días) y/o no se mezcló adecuadamente	Drene el depósito de combustible y agregue combustible nuevo, que se haya mezclado adecuadamente
La velocidad de ralentí es incorrecta	Ajuste la velocidad de ralentí
<b>EL MOTOR NO ACELERA</b>	
El combustible está viejo (más de 30 días) y/o no se mezcló adecuadamente	Drene el depósito de combustible y agregue combustible nuevo, que se haya mezclado adecuadamente
El filtro de aire está sucio	Limpie o reemplace el filtro de aire
<b>AL MOTOR LE FALTA POTENCIA O SE PARA</b>	
El combustible está viejo (más de 30 días) y/o no se mezcló adecuadamente	Drene el depósito de combustible y agregue combustible nuevo, que se haya mezclado adecuadamente
El filtro de aire está sucio	Limpie o reemplace el filtro de aire
La bujía está averiada	Vuelva a colocar la bujía

**Si necesita asistencia adicional, comuníquese con un centro de servicio autorizado.**



# GARANTÍA

MTD LLC

## GARANTÍA LIMITADA PARA EL PRODUCTO DE MANO DE MARCA CRAFTSMAN®

### Garantía Limitada

La garantía limitada establecida en este documento es otorgada por MTD LLC al Comprador Inicial (como se define aquí) con respecto al nuevo producto manual de marca Craftsman ("Producto"). La presente garantía limitada no cubre los Sistemas de control de emisiones y no constituye una Declaración de garantía del control de las emisiones federal según lo definido por las leyes federales de los Estados Unidos. Consulte la Declaración de garantía de control de emisiones federal que se incluye en el manual del operador para conocer las garantías que cubren los Sistemas de control de emisiones.

### Alcance de la Garantía Limitada

MTD LLC ofrece una garantía limitada al Comprador inicial para uso residencial o para uso no comercial del Producto: sujeto a las Exclusiones definidas aquí, durante el Período de Garantía (definido aquí). El "Comprador inicial" es la primera persona en comprar este Producto de un concesionario, distribuidor y/o vendedor minorista autorizado de productos de marca Craftsman (cada uno denominado "Vendedor minorista"). Excepto que se disponga lo contrario en el presente documento, el período de la garantía limitada para este nuevo Producto adquirido por el Comprador inicial es de **dos (2) años** a partir de la fecha de compra, como se indica en el comprobante de venta original correspondiente al Producto ("Período de la Garantía").

### Defectos de Mano de Obra o Materiales

Excepto por las Exclusiones, se garantiza que el Producto estará libre de defectos de fabricación en la mano de obra o los materiales durante el Período de la Garantía. Durante el Período de Garantía, MTD LLC tendrá la opción de reparar o reemplazar cualquier pieza original que esté cubierta por esta garantía limitada y que se determine que presenta un defecto de mano de obra o materiales.

### Para Tener Derecho a esta Garantía Limitada, el Producto:

1. Debe haber sido comprado a un vendedor minorista autorizado de la marca Craftsman.
2. Debe haber sido adquirido por el Comprador Inicial dentro de los Estados Unidos.
3. Debe haberse usado únicamente para fines residenciales u otro tipo de uso no comercial.
4. Debe haber sido utilizado de una manera consistente con el uso normal y adecuado.

### ¿Quiénes Pueden Efectuar Reparaciones Bajo esta Garantía?

Para poder calificar para la garantía limitada aquí establecida, las reparaciones hechas bajo esta garantía deben ser realizadas por un proveedor de servicios de garantía autorizado.

### Cómo Obtener Servicios Bajo esta Garantía Limitada

Para localizar un proveedor de servicio de garantía autorizado, póngase en contacto con su vendedor minorista autorizado o contáctese con [www.craftsman.com/warranty](http://www.craftsman.com/warranty), o llame gratis al 888-331-4569. PARA UN SERVICIO DE GARANTÍA NECESITARÁ PRESENTAR UNA COPIA DE SU FACTURA DE VENTA.

## **Lo que NO Cubre esta Garantía Limitada**

### **Esta Garantía Limitada No Cubre lo Siguiendo (las “Exclusiones”):**

1. Los productos adquiridos fuera de los Estados Unidos.
2. Los daños producidos por la falta de mantenimiento y/o un mantenimiento inadecuado, según se describe en el manual del operador.
3. El desgaste normal resultante de usar el Producto.
4. El uso del Producto de manera no acorde al uso previsto para el mismo, como se describe en las instrucciones operativas, incluyendo, sin limitación, abuso, uso indebido y/o descuido del Producto o todo uso que no se compadezca y/o no cumpla con las instrucciones que figuran en el manual del operador.
5. Cualquier artículo fungible, consumible o de mantenimiento rutinario que requiera reemplazo o servicio como parte del mantenimiento normal, a menos que dichos artículos tengan defectos que causen fallas o desgaste prematuro dentro de los primeros treinta (30) días. Donde corresponda, los artículos de uso normal incluyen, entre otros, perillas, carretes externos, línea de corte, carretes interiores, poleas de arranque, cuerdas de arranque, correas de transmisión, cadenas de sierra, barras de guía, púas de cultivo, filtros, bujías, estuches de transporte, fundas o cuchillas.
6. Todo Producto que haya sido alterado o modificado de alguna manera que no se compadezca con el diseño original del producto o de alguna manera no aprobada.
7. Las reparaciones en concepto de pintura o los reemplazos por defectos en la pintura (que incluyen los materiales y la aplicación) están cubiertos por un período de tres (3) meses.

### **Esta Garantía No Cubre, y MTD LLC No Asume Ninguna Responsabilidad por lo Siguiendo:**

1. Pérdida de tiempo o pérdida de uso del Producto.
2. Gastos de transporte y otros gastos incurridos en relación con el transporte del Producto hacia y desde el proveedor de servicios autorizado.
3. Cualquier pérdida o daño a otros equipos o elementos personales.
4. Daño resultante de la instalación o el uso de cualquier accesorio o pieza que no sea del OEM (fabricante de equipo original) para utilizar con el Producto.

### **Limitaciones:**

1. NO HAY NINGUNA GARANTÍA, INCLUYENDO, SIN LIMITACIÓN, NINGUNA GARANTÍA TÁCITA DE COMERCIABILIDAD O APTITUD PARA UN DETERMINADO USO. PASADO EL PERÍODO DE GARANTÍA NO SE APLICARÁ NINGUNA GARANTÍA SEGÚN LO ESTABLECIDO PRECEDENTEMENTE RESPECTO DE LAS PIEZAS YA IDENTIFICADAS. NINGUNA OTRA GARANTÍA EXPRESA, SEA ESCRITA O VERBAL, A EXCEPCIÓN DE LA ARRIBA INDICADA, OTORGADA POR UNA PERSONA FÍSICA O JURÍDICA, INCLUYENDO UN CONCESIONARIO O COMERCIANTES, CON RESPECTO ALGÚN PRODUCTO SERÁ VINCULANTE PARA MTD LLC. DURANTE EL PERÍODO DE GARANTÍA, EL RECURSO EXCLUSIVO ES LA REPARACIÓN O LA SUSTITUCIÓN DE LA PIEZA DEFECTUOSA, SEGÚN LO ESTABLECIDO ANTERIORMENTE. (ALGUNOS ESTADOS NO PERMITEN LIMITACIONES SOBRE EL TIEMPO DE DURACIÓN DE UNA GARANTÍA TÁCITA, POR LO QUE LA LIMITACIÓN ANTERIOR PODRÍA NO APLICARLE A USTED.)
2. LAS DISPOSICIONES ESTABLECIDAS EN EL PRESENTE DOCUMENTO PREVÉN EL ÚNICO Y EXCLUSIVO RECURSO QUE SURGE DE LA VENTA. MTD LLC NO SERÁ RESPONSABLE POR DAÑOS O PÉRDIDAS INCIDENTALES O INDIRECTAS INCLUYENDO, SIN LIMITACIÓN, POR GASTOS DE TRANSPORTE O GASTOS SIMILARES O POR GASTOS DE ALQUILER PARA REEMPLAZAR PROVISORIAMENTE UN PRODUCTO GARANTIZADO. (ALGUNOS ESTADOS NO PERMITEN LA EXCLUSIÓN O LA LIMITACIÓN DE DAÑOS INCIDENTALES O CONSECUENTES, POR LO QUE QUE ES POSIBLE QUE LA EXCLUSIÓN O LIMITACIÓN ANTERIOR NO SE APLIQUE EN SU CASO).
3. En ningún caso el reembolso será superior al precio de compra del Producto vendido. La alteración de los elementos de seguridad del Producto anulará esta garantía limitada. Usted asume el riesgo y la responsabilidad por pérdidas, daños o lesiones personales y materiales tanto tuyas como de terceros como consecuencia del uso o uso indebido o imposibilidad de usar este Producto.

### **Leyes Estatales y esta Garantía.**

Esta garantía limitada le concede derechos legales específicos, y también es posible que tenga otros derechos, que varían de un estado a otro.











**CRAFTSMAN®**

**TO ORDER REPLACEMENT PARTS  
OR SCHEDULE REPAIR SERVICE**

**PARA ORDENAR PIEZAS  
O PEDIR SERVICIO DE REPARACIÓN**

**1-888-331-4569**

**CRAFTSMAN®**

IS A REGISTERED TRADEMARK OF **STANLEY BLACK & DECKER, INC.**, USED UNDER LICENSE.  
ES UNA MARCA REGISTRADA DE **STANLEY BLACK & DECKER, INC.**, UTILIZADA BAJO LICENCIA.

**© 2020 CRAFTSMAN**

PRODUCT MANUFACTURED BY: / PRODUCTO FABRICADO POR:

**MTD LLC**

P.O. Box 361131  
Cleveland, OH 44136-0019

U.S. & CANADA ONLY • SÓLO EN EE.UU. Y CANADÁ