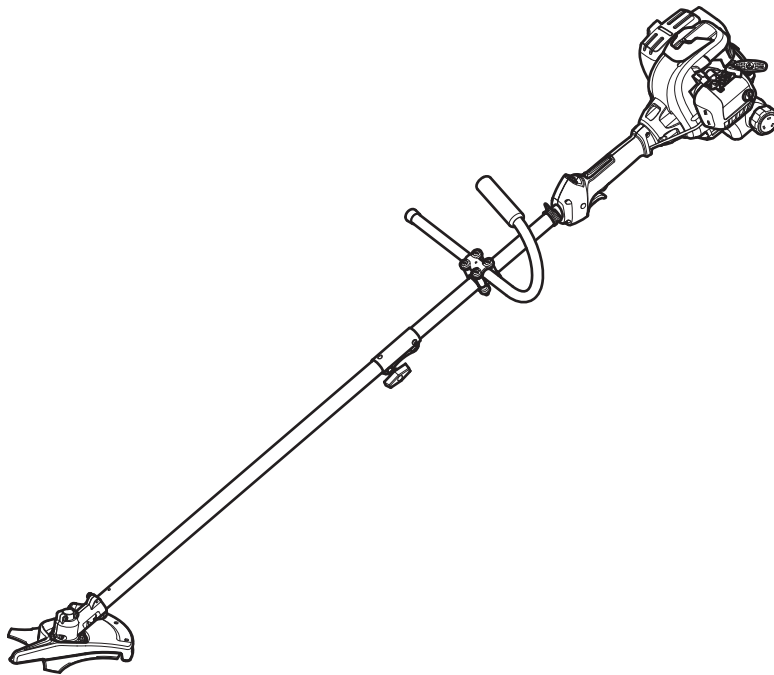


CRAFTSMAN®

OPERATOR'S MANUAL | MANUAL DEL OPERADOR

2-CYCLE GAS BRUSHCUTTER / TRIMMER DESMALIZADORA / DESBROZADORA DE GAS DE 2 TIEMPOS



WS235

CMXGTAMD27BC



IF YOU HAVE QUESTIONS OR COMMENTS, CONTACT US.
SI TIENE DUDAS O COMENTARIOS, CONTÁCTENOS.

1-888-331-4569

WWW.CRAFTSMAN.COM

TABLE OF CONTENTS

Safety2
Know Your Unit6
Specifications6
Assembly7
Oil and Fuel13
Starting and Stopping14
Operation15
Maintenance17
Cleaning and Storage21
Troubleshooting22
Warranty23
Service NumbersBack Cover

All information, illustrations, and specifications in this manual are based on the latest product information available at the time of printing. We reserve the right to make changes at any time without notice.

The product may vary slightly from the illustrations contained in this manual.

SAFETY

The purpose of safety symbols is to attract your attention to possible dangers. The safety symbols, and their explanations, deserve your careful attention and understanding. The safety warnings do not by themselves eliminate any danger. The instructions or warnings they give are not substitutes for proper accident prevention measures.

SYMBOL MEANING

 **DANGER:** Signals an EXTREME hazard. Failure to obey a safety **DANGER** signal **WILL** result in serious injury or death to yourself or to others.

 **WARNING:** Signals a SERIOUS hazard. Failure to obey a safety **WARNING** signal **CAN** result in serious injury to yourself or to others.

 **CAUTION:** Signals a MODERATE hazard. Failure to obey a safety **CAUTION** signal **MAY** result in property damage or injury to yourself or to others.

NOTE: Advises you of information or instructions vital to the operation or maintenance of the equipment.

SPARK ARRESTOR NOTE

NOTE: For users on U.S. Forest Land and in the states of California, Maine, Oregon and Washington. All U.S. Forest Land and the state of California (Public Resources Codes 4442 and 4443), Oregon and Washington require, by law that certain internal combustion engines operated on forest brush and/or grass-covered areas be equipped with a spark arrestor, maintained in effective working order, or the engine be constructed, equipped and maintained for the prevention of fire. Check with your state or local authorities for regulations pertaining to these requirements. Failure to follow these requirements could subject you to liability or a fine. **This unit is factory equipped with a spark arrestor.** If it requires replacement, contact your local service dealer to install the appropriate muffler assembly.

 **WARNING:** This product can expose you to chemicals including engine exhaust, which is known to the State of California to cause cancer, and carbon monoxide, which is known to the State of California to cause birth defects or other reproductive harm. For more information go to www.P65Warnings.ca.gov.

Read the operator's manual and follow all warnings and safety instructions. Failure to do so can result in serious injury to the operator and/or bystanders.

• IMPORTANT SAFETY INSTRUCTIONS •

READ ALL INSTRUCTIONS BEFORE OPERATING



WARNING: When using the unit, all safety instructions must be followed. Please read these instructions before operating the unit in order to ensure the safety of the operator and any bystanders. Please keep these instructions for later use.

- Read the instructions carefully. Be familiar with the controls and proper use of the unit. Know how to stop the unit and disengage the controls quickly.
- Stay alert. Do not operate this unit when tired, ill or under the influence of alcohol, drugs or medication.
- Never allow children to operate the unit. Teens must be trained, accompanied and supervised by an adult. Never allow adults to operate the unit without proper instruction.
- All guards and safety attachments must be installed properly before operating the unit.
- Inspect the unit before use. Check for damaged parts. Check for fuel leaks. Make sure all parts operate properly. Make sure all fasteners are in place and secure. Make sure all moving parts are properly aligned and are not bound. Replace parts that are cracked, chipped, or damaged in any way. Have all damaged or improperly working parts repaired or replaced by an authorized service center. Do not operate the unit with loose or damaged parts.
- Be aware of risk of injury to the head, hands and feet.
- Carefully inspect the area before starting the unit. Remove rocks, broken glass, nails, wire, string and other objects that may be thrown or become entangled with the unit.
- Clear the area of children, bystanders and pets; keep them outside a 50-foot (15 m) radius, at a minimum. Even then, they are still at risk from thrown objects. Encourage bystanders to wear eye protection. If you are approached, stop the unit immediately.
- Squeeze the throttle control and check that it returns automatically to the idle position. Make all adjustments or repairs before using the unit.
- Do not change the engine governor settings or overspeed the engine.
- This unit is intended for occasional, household use only.

SAFETY WARNINGS FOR GAS UNITS



WARNING: Gasoline is highly flammable and its vapors can explode if ignited. Take the following precautions:

- Store fuel only in containers specifically designed and approved for the storage of such materials.
- Always stop the engine and allow it to cool before filling the tank. Never remove the fuel tank cap or add fuel when the engine is hot. Always loosen the fuel tank cap slowly to relieve any pressure in the tank before fueling.
- Always mix and add fuel in a clean, well-ventilated outdoor area where there are no sparks or flames. DO NOT smoke.
- Never operate the unit without the fuel cap securely in place.
- Avoid creating a source of ignition for spilled fuel. Wipe up any spilled fuel from the unit immediately, before starting the unit. Move the unit at least 30 ft. (9.1 m) from the fueling source and site before starting the engine. DO NOT smoke.
- Never start or run the unit inside a closed room or building. Breathing exhaust fumes can kill. Operate this unit only in a well-ventilated outdoor area.

WHILE OPERATING

- Wear safety glasses or goggles that meet current ANSI Z87.1 standards and are marked as such. Wear ear/hearing protection when operating this unit. Wear a face mask or dust mask if the operation is dusty. Use a hard hat or other type of safety helmet.
- Wear heavy long pants, boots, gloves and a long sleeve shirt. Do not wear loose clothing, jewelry, short pants, sandals or go barefoot. Secure hair above shoulder level.
- The cutting head / blade should remain stationary when the engine idles. If it does not, refer to *Adjusting the Idle Speed*.
- Adjust the handle to provide the best grip, if applicable.
- Make sure the cutting head / blade is not in contact with anything before starting the unit.
- Use the unit only in daylight or good artificial light.
- Avoid accidental starting. Be in the starting position whenever pulling the starter rope. The operator and unit must be in a stable position while starting. Refer to *Starting and Stopping*.
- Use the right tool. Only use this tool for its intended purpose. Only use the unit as described in this manual.
- Always hold the unit with both hands when operating. Keep a firm grip on both handles or grips.
- Do not overreach. Always keep proper footing and balance. Take extra care when working on stairs, steep slopes or inclines. To avoid serious injury, do not operate the unit while on a ladder or a roof.
- Keep hands, face, and feet away from all moving parts. Do not touch or try to stop moving parts.
- Do not touch the engine, gear housing or muffler. These parts get extremely hot from operation, even after the unit is turned off.
- Do not operate the unit faster than the speed needed to do the job. Do not run the unit at high speed when not in use.
- Do not force the unit. It will do a better, safer job when used at the intended rate.
- Always turn the unit off when operation is delayed or when carrying the unit from one location to another. Make sure all moving parts come to a complete stop.

- Before setting the unit down, always make sure the engine is off and all moving parts have stopped.
- If the unit strikes or becomes entangled with a foreign object, stop the unit immediately. Check for damage. If damaged, do not restart or operate the unit until it is repaired. Do not operate the unit with loose or damaged parts.
- Turn the engine off and disconnect the spark plug for maintenance or repair.
- Use only original equipment manufacturer (OEM) replacement parts and accessories for this unit. These are available from your authorized service dealer. Use of any other parts or accessories could lead to serious injury to the user, or damage to the unit, and void the warranty.
- Keep the unit clean. Carefully remove vegetation and other debris that could block moving parts.
- To reduce fire hazard, replace a faulty muffler and spark arrestor. Keep the engine and muffler free from grass, leaves, excessive grease or carbon build up.
- If the unit starts to vibrate abnormally, stop the unit immediately. Inspect the unit for the cause of the vibration. Vibration is generally an indicator of trouble.

TRIMMER SAFETY

- Only use the trimming line described in the *Specifications* section of this manual. Never use metal-reinforced line, wire, chain or rope. These can break off and become dangerous projectiles.
- The cutting head shield must always be in place while operating the unit.
- Do not operate the unit without both trimming lines extended and the proper line installed. Do not extend the trimming line beyond the length of the shield.

BRUSHCUTTER SAFETY

- The blade guard must always be in place while operating the unit.
- Always use the shoulder harness when operating a brushcutter.
- Always keep the handle between the operator and the blade during operation.
- Never operate the unit with the blade above waist level.
- To avoid violent kickback, do not attempt to cut material larger than 1/2 inch (1.27 cm) in diameter.
- Blade thrust may occur when the spinning blade contacts an object that it does not immediately cut. Blade thrust can be violent enough to propel the unit and/or operator in any direction, possibly causing a loss of control. Blade thrust can occur without warning if the blade snags, stalls or binds. This is more likely to occur in areas where it is difficult to see the material being cut.
- The blade will continue to spin after the unit is turned off. A coasting blade can cause serious injury. Maintain control of the unit until all moving parts have stopped.
- Do not sharpen the blade. Sharpening the blade can cause the tip of the blade to break off while in use. This can result in severe personal injury. Replace the blade if it is dull.
- Do not operate the unit with a bent, cracked or dull blade. Replace bent, cracked or dull blades.
- Do not use the blade for edging; severe personal injury to yourself or others may occur.
- The blade may become very sharp from use. Always wear heavy gloves when handling, replacing or cleaning the blade.


OTHER SAFETY WARNINGS










- Maintain the unit with care. Follow all maintenance instructions in this manual.
- Do not perform maintenance procedures other than those described in this manual. All service, other than the maintenance procedures described in this manual, should be performed by an authorized service dealer.
- Never remove, modify or make inoperative any safety device furnished with the unit.
- Before inspecting, maintaining, cleaning, storing, transporting or replacing any parts on the unit:
 1. Stop the unit. Refer to *Starting and Stopping*.
 2. Make sure all moving parts have stopped.
 3. Allow the unit to cool.
 4. Disconnect the spark plug wire.
- Secure the unit while transporting.
- Never store the unit with fuel in the tank, inside a building where fumes may reach an open flame (pilot lights, etc.) or sparks (switches, electrical motors, etc.).
- Store the unit in a dry place, secured or at a height to prevent unauthorized use or damage. Keep the unit out of the reach of children.
- Never douse or squirt the unit with water or any other liquid. Keep handles dry and clean (free from debris, oil and grease). Clean the unit after each use. Refer to *Cleaning and Storage*. Do not use solvents or strong detergents.
- Keep these instructions. Refer to them often and use them to instruct other users. If you loan this unit to others, also loan them these instructions.

SAVE THESE INSTRUCTIONS

• SAFETY & INTERNATIONAL SYMBOLS •

This operator's manual describes safety and international symbols and pictographs that may appear on this product. Read the operator's manual for complete safety, assembly, operating and maintenance and repair information.

SYMBOL	MEANING
	<ul style="list-style-type: none"> • SAFETY ALERT SYMBOL Indicates danger, warning or caution. May be used in conjunction with other symbols or pictographs.
	<ul style="list-style-type: none"> • READ OPERATOR'S MANUAL WARNING: Read the operator's manual(s) and follow all warnings and safety instructions. Failure to do so can result in serious injury to the operator and/or bystanders.
	<ul style="list-style-type: none"> • WEAR HEAD, EYE AND HEARING PROTECTION WARNING: Thrown objects and loud noise can cause severe eye injury and hearing loss. Wear eye protection meeting current ANSI / ISEA Z87.1 standards and ear protection when operating this unit. Wear head protection when operating this unit. Use a full face shield when needed.
	<ul style="list-style-type: none"> • WEAR FOOT PROTECTION Always wear heavy-duty, non-slip footwear when operating this unit.
	<ul style="list-style-type: none"> • WEAR HAND PROTECTION Always wear heavy-duty, non-slip gloves when handling this unit.
	<ul style="list-style-type: none"> • HANDLE POSITION Move the handle until the arrow / line on the decal touches the clamp assembly.
	<ul style="list-style-type: none"> • UNLEADED FUEL Always use clean, fresh unleaded fuel.
	<ul style="list-style-type: none"> • OIL Refer to operator's manual for the proper type of oil.
	<ul style="list-style-type: none"> • DO NOT USE E85 FUEL IN THIS UNIT CAUTION: It has been proven that fuel containing greater than 10% ethanol will likely damage this engine and void the warranty.

SYMBOL	MEANING
	<ul style="list-style-type: none"> • ON / OFF STOP CONTROL ON / START / RUN
	<ul style="list-style-type: none"> • ON / OFF STOP CONTROL OFF or STOP
	<ul style="list-style-type: none"> • PRIMER BULB Push primer bulb, fully and slowly, 10 times.
	<ul style="list-style-type: none"> • THROWN OBJECTS CAN CAUSE SEVERE INJURY WARNING: Small objects can be propelled at high speed, causing injury.
	<ul style="list-style-type: none"> • KEEP BYSTANDERS AWAY WARNING: Keep all bystanders, especially children and pets, at least 50 feet (15 m) from the operating area.
	<ul style="list-style-type: none"> • HOT SURFACE WARNING: Do not touch a hot muffler or cylinder. You may get burned. These parts get extremely hot from operation. When turned off, they remain hot for a short time.
	<ul style="list-style-type: none"> • SHARP BLADE WARNING: There is a sharp blade on the cutting head shield. To prevent serious injury, do not touch the line cutting blade.
	<ul style="list-style-type: none"> • BRUSHCUTTER: REPLACE DULL BLADE WARNING: Do not sharpen the blade. Sharpening the blade can cause the tip of the blade to break off while in use. This can result in severe personal injury. Replace the blade if it is dull.
	<ul style="list-style-type: none"> • BLADE THRUST WARNING: Blade thrust may occur when the spinning blade contacts an object that it does not immediately cut. Blade thrust can be violent enough to propel the unit and/or operator in any direction, possibly causing a loss of control. Blade thrust can occur without warning if the blade snags, stalls or binds. This is more likely to occur in areas where it is difficult to see the material being cut.

KNOW YOUR UNIT

APPLICATIONS

As a trimmer:

- Cutting grass and light weeds
- Edging
- Decorative trimming around trees, fences, etc.

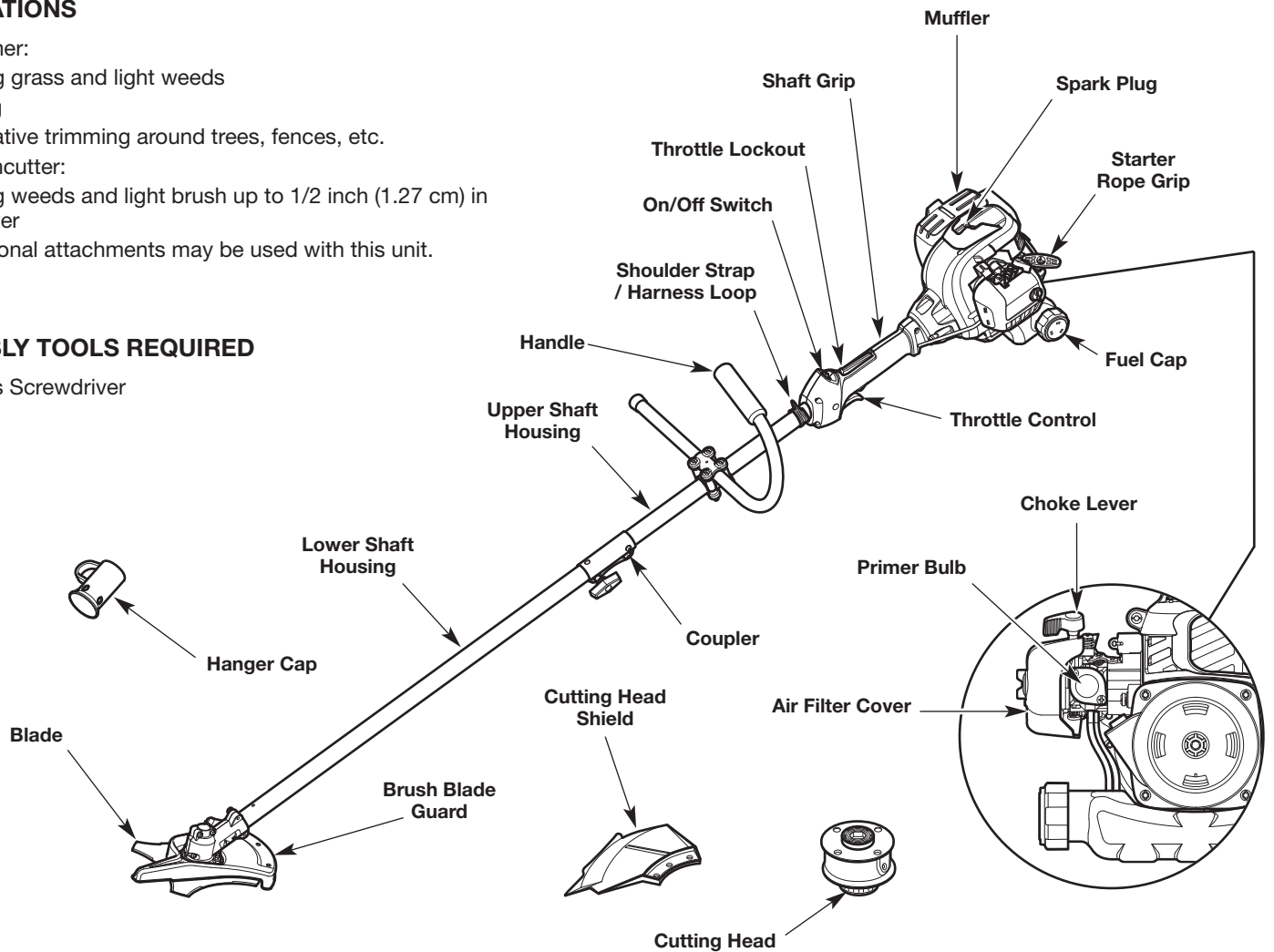
As a brushcutter:

- Cutting weeds and light brush up to 1/2 inch (1.27 cm) in diameter

Other optional attachments may be used with this unit.

ASSEMBLY TOOLS REQUIRED

- Phillips Screwdriver



SPECIFICATIONS*

Engine Type	Air-Cooled, 2-Cycle
Displacement	27 cc (1.64 cu. in.)
Spark Plug Gap	0.025 in. (0.635 mm)
Spark Plug	Champion® RDJ7J or equivalent plug
Lubrication	Fuel/Oil Mixture
Fuel/Oil Ratio	40:1
Fuel Tank Capacity	14 oz. (414 ml)
Approximate Unit Weight (No fuel)	13 - 14.5 lbs. (5.9 - 6.6 kg)
Trimmer Mechanism	Bump Head
Trimming Line Diameter	0.105 inches (2.67 mm)
Cutting Path Diameter (Trimmer)	18 in. (45.7 cm)
Cutting Path Diameter (Brushcutter)	8 in. (20.3 cm)

* All specifications are based on the latest product information available at the time of printing. We reserve the right to make changes at any time without notice.

INSTALLING AND REMOVING THE ATTACHMENT

The coupler enables the use of various optional attachments.



WARNING: Before using any attachment, read and understand the manual that came with the attachment. Follow all safety information contained within.



WARNING: To avoid serious personal injury and damage to the unit, shut the unit off before removing or installing an attachment.

Installing the Attachment

1. Remove the hanger cap from the attachment. Keep the hanger cap for use when storing the attachment. If present, remove the gray spacer from the coupler.
2. Set the unit on a flat, level surface.
3. Turn the knob counterclockwise to loosen the coupler (Fig. 1).
4. Align the release button with the guide recess (Fig. 3).
5. Push the attachment straight into the coupler (Fig. 2) until the release button snaps firmly into the primary hole (Fig. 3).
6. Turn the knob clockwise to tighten the coupler (Fig. 1).



WARNING: Before operating the unit, make sure the release button is fully snapped into the primary hole and the knob is securely tightened.



WARNING: Unless specified otherwise, the release button should be snapped into the primary hole only. Using the wrong hole could lead to personal injury or damage to the unit.

Removing the Attachment

1. Set the unit on a flat, level surface.
2. Turn the knob counterclockwise to loosen the coupler (Fig. 1).
3. Press and hold the release button (Fig. 3).
4. Pull the attachment straight out of the coupler (Fig. 2).

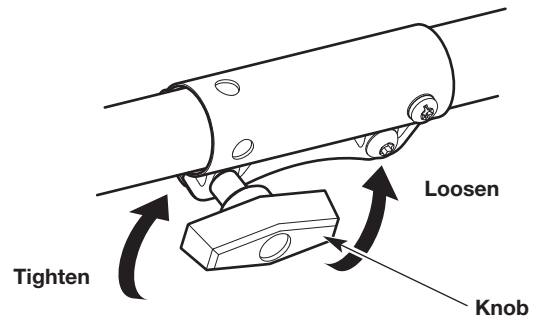


Fig. 1

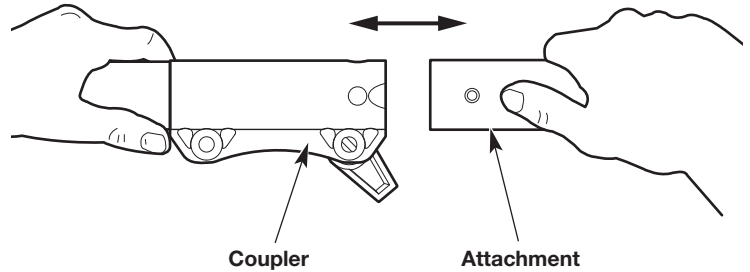


Fig. 2

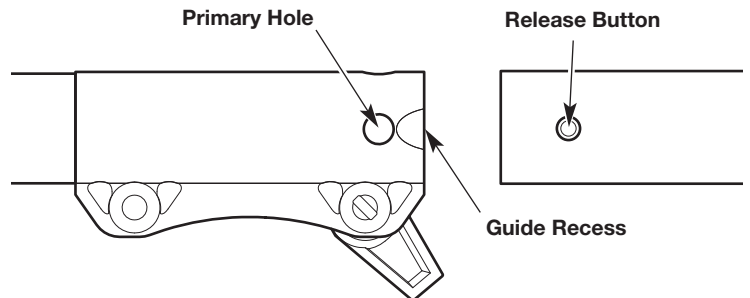


Fig. 3

INSTALLING AND ADJUSTING THE HANDLE

Installing the Handle

1. Place the handle between the top clamp and middle clamp (Fig. 4). If necessary, rotate or flip the middle clamp until the holes in the top clamp and middle clamp align.
2. Place the clamps and handle over the upper shaft housing and onto the bottom clamp (Fig. 4).

NOTE: Make sure the curved portion of the handle is on the operator's left (Fig. 4).

3. While holding the pieces together, insert the bolts (x4) into the aligned holes (Fig. 4).
4. Screw a nut onto the end of a bolt, but only slightly. Push the nut into the hexagonal recess on the bottom clamp. Hold the nut in place with a finger to keep it in the recess. Tighten the bolt with a Phillips screwdriver, but do not tighten it completely (Fig. 4). Repeat this step for each nut and bolt.
5. Hold the unit in the operating position (Fig. 21) and slide the handle in or out of the clamp until the arrow/line on the decal touches the clamp (Fig. 5).
6. Angle the handle forward or backward, as desired.
7. Tighten the bolts with a Phillips screwdriver until the handle is secure.

Adjusting the Handle

If the handle requires adjustment:

1. Loosen the bolts (x4) slightly with a Phillips screwdriver (Fig. 4).
2. Hold the unit in the operating position (Fig. 21) and angle the handle forward or backward, as desired.
3. Tighten the bolts with a Phillips screwdriver until the handle is secure.

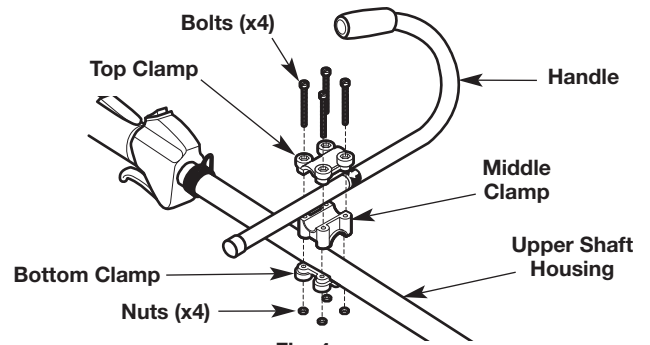


Fig. 4

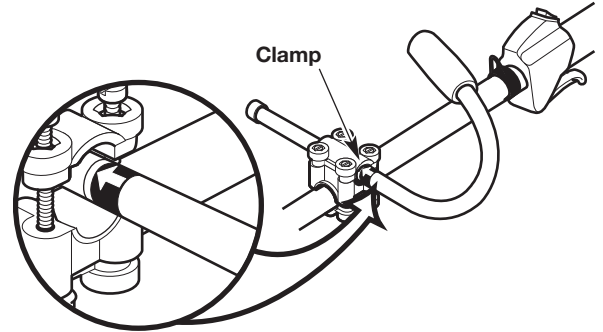


Fig. 5

ASSEMBLING AND USING THE SHOULDER STRAP



WARNING: To avoid serious personal injury, always use the shoulder strap when operating the unit as a brushcutter.

Assembling the Shoulder Strap

1. Push the strap up through the center slot in the buckle (Fig. 6).
2. Bend the strap over and push it down through the lower slot in the buckle (Fig. 6).

Using the Shoulder Strap

1. Put the shoulder strap over the operator's head and onto the left shoulder.
2. Start the unit. Refer to *Starting and Stopping*.
3. Snap the clip onto the shoulder strap / harness loop (Fig. 7).
4. Adjust the shoulder strap to fit the operator (Fig. 8). Pull the buckle up to loosen the shoulder strap. Pull the strap down to tighten the shoulder strap.

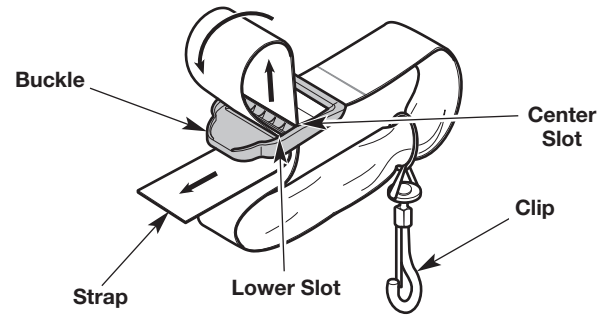


Fig. 6

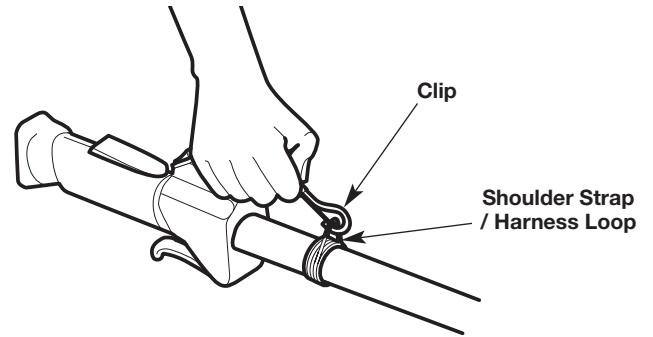


Fig. 7

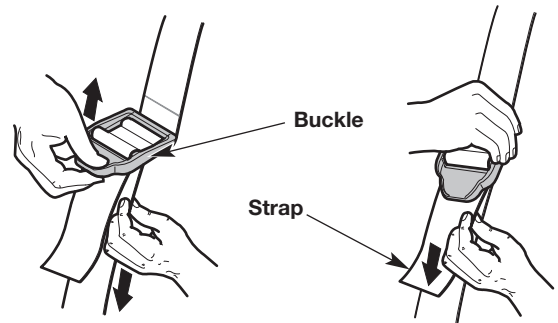


Fig. 8

CONVERTING THE UNIT FROM A BRUSHCUTTER TO A TRIMMER



WARNING: To avoid serious personal injury, always wear gloves when handling the blade.



WARNING: To avoid serious personal injury, always stop the engine and allow the unit to cool before installing or removing any parts. Never install or remove parts while the unit is running. Disconnect the spark plug wire to prevent the unit from starting accidentally.

Removing the Blade

1. Rotate the blade (Fig. 11) until the shaft bushing hole aligns with the locking rod slot (Fig. 9).
2. Insert the locking rod through the locking rod slot and into the shaft bushing hole (Fig. 9).
3. Hold the locking rod in place by grasping the other end against the shaft housing (Fig. 10).
4. While holding the locking rod in place, unscrew the nut by turning it clockwise with a wrench (Fig. 10).
5. Remove the locking rod (Fig. 11).
6. Remove the blade retainer and blade (Fig. 11).

Installing the Cutting Head

1. Rotate the output shaft bushing until the shaft bushing hole aligns with the locking rod slot (Fig. 9).
2. Insert the locking rod through the locking rod slot and into the shaft bushing hole (Fig. 9).
3. Hold the locking rod in place by grasping the other end against the shaft housing (Fig. 10).
4. While holding the locking rod in place, put the blade retainer on the output shaft with the flat surface against the output shaft bushing (Fig. 12).
5. Screw the cutting head counterclockwise onto the output shaft (Fig. 12). Tighten the cutting head securely.
6. Remove the locking rod.
7. Install the cutting head shield. Refer to *Installing and Removing the Cutting Head Shield*.



WARNING: To avoid serious personal injury or damage to the unit, do not start or operate the unit with the locking rod inserted into the locking rod slot.

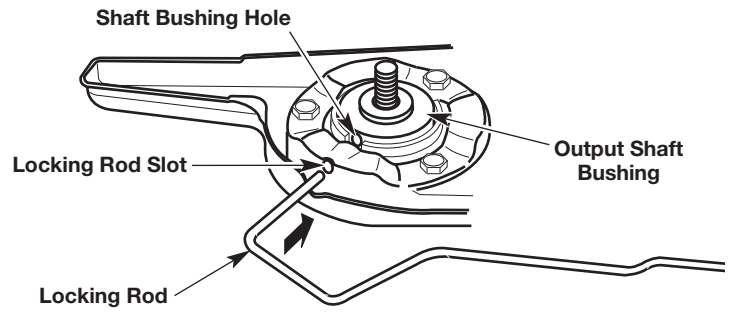


Fig. 9

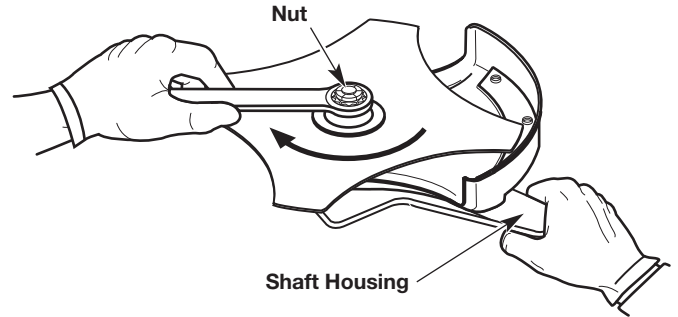


Fig. 10

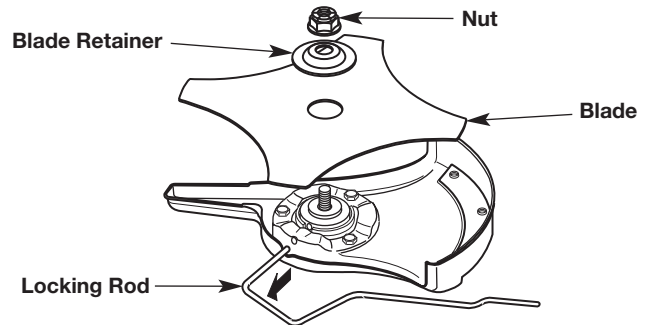


Fig. 11

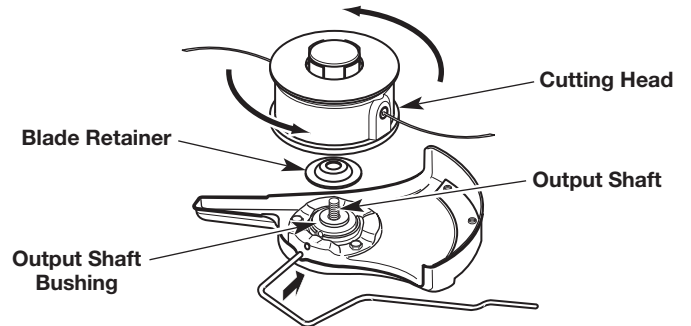


Fig. 12

CONVERTING THE UNIT FROM A TRIMMER TO A BRUSHCUTTER



WARNING: To avoid serious personal injury, always wear gloves when handling the blade.



WARNING: To avoid serious personal injury, always stop the engine and allow the unit to cool before installing or removing any parts. Never install or remove parts while the unit is running. Disconnect the spark plug wire to prevent the unit from starting accidentally.

Removing the Cutting Head

1. Remove the cutting head shield. Refer to *Installing and Removing the Cutting Head Shield*.
2. Rotate the cutting head (Fig. 14) until the shaft bushing hole aligns with the locking rod slot (Fig. 9).
3. Insert the locking rod through the locking rod slot and into the shaft bushing hole (Fig. 9).
4. Hold the locking rod in place by grasping the other end against the shaft housing (Fig. 13).
5. While holding the locking rod in place, unscrew the cutting head by turning it clockwise (Fig. 14).
6. Remove the locking rod (Fig. 14).
7. Remove the blade retainer (Fig. 14).

Installing the Blade

1. Rotate the output shaft bushing until the shaft bushing hole aligns with the locking rod slot (Fig. 9).
2. Insert the locking rod through the locking rod slot and into the shaft bushing hole (Fig. 9).
3. Hold the locking rod in place by grasping the other end against the shaft housing (Fig. 13).
4. While holding the locking rod in place, put the blade on the output shaft bushing (Fig. 15).



WARNING: To avoid serious personal injury, make sure that the pilot hole on the blade is sitting flat against the output shaft bushing (Fig. 15). The unit will vibrate and the blade may fly off if the blade is not centered.

5. Place the blade retainer on the output shaft with the flat surface against the blade (Fig. 15).
6. Screw the nut onto the output shaft (Fig. 15).
7. Tighten the nut counterclockwise with a wrench (Fig. 16):
 - If using a torque wrench, torque to: **325 - 335 in•lb, 27 - 28 ft.•lb, 37 - 38 N•m.**
 - If using a closed-end or socket wrench, turn the nut until the blade retainer is snug against the blade. Make sure the blade is installed correctly, then rotate the nut an additional 1/4 to 1/2 turn counterclockwise.
8. Remove the locking rod.



WARNING: To avoid serious personal injury or damage to the unit, do not start or operate the unit with the locking rod inserted into the locking rod slot.

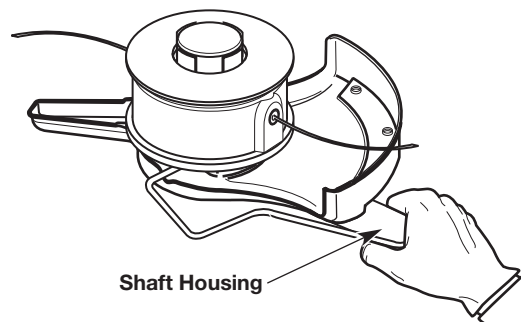


Fig. 13

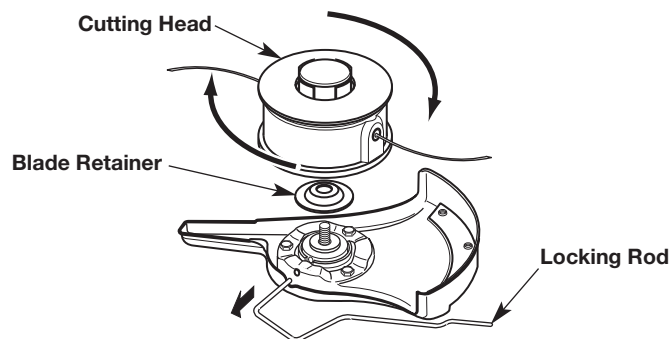


Fig. 14

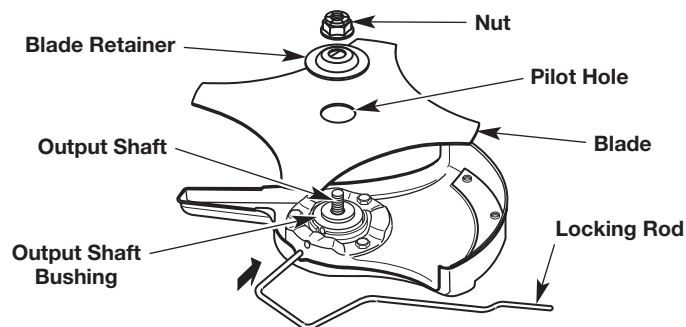


Fig. 15

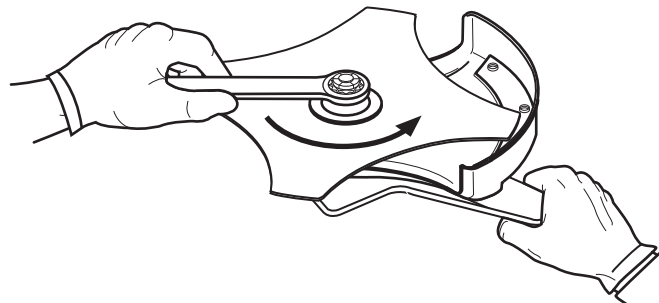


Fig. 16

INSTALLING AND REMOVING THE CUTTING HEAD SHIELD

WARNING: To prevent serious personal injury, when using the unit as a trimmer, never operate the unit without the cutting head shield in place.

WARNING: DO NOT install the cutting head shield when operating the unit as a brushcutter. Remove the cutting head shield before removing or installing the blade.

Installing the Cutting Head Shield

1. Place the cutting head shield over the shield mount surface on the brush blade guard (Fig. 17).
2. Insert the screws (x3) through the screw holes on the cutting head shield (Fig. 17).
3. Tighten the screws with a Phillips screwdriver.

Removing the Cutting Head Shield

1. Unscrew the screws (x3) on the cutting head shield with a Phillips screwdriver (Fig. 17).
2. Store the parts for future use.

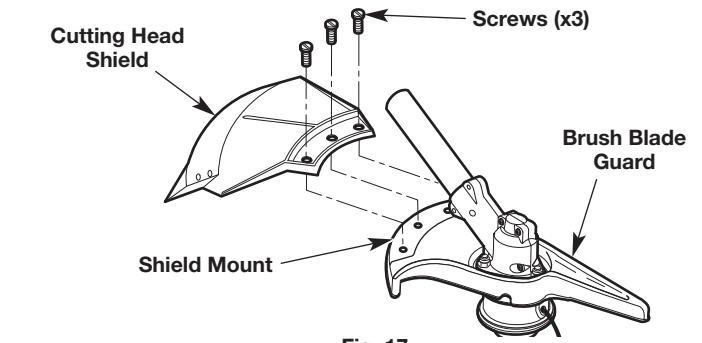


Fig. 17

OIL AND FUEL

OIL AND FUEL MIXING INSTRUCTIONS

The use of old and/or improperly mixed fuel is the most common cause of performance problems. Use only fresh, clean unleaded gasoline. Follow the instructions carefully for the proper gasoline/oil mixture.

Definition of Blended Fuels

Today's fuels are often a blend of gasoline and oxygenates such as ethanol, methanol or MTBE (ether). Alcohol-blended fuel absorbs water. As little as 1% water in the fuel can make fuel and oil separate, forming acids when stored. ALWAYS use fresh fuel (less than 30 days old).

NOTE: Dispose of old fuel according to federal, state and local regulations.

Using Blended Fuels

If using a blended fuel:

- Always use the fresh fuel mix explained in this operator's manual
- Use the fuel additive STA-BIL® or an equivalent
- Always agitate the fuel mix before fueling the unit



CAUTION: DO NOT USE E85 FUEL IN THIS UNIT. It has been proven that fuel containing greater than 10% ethanol will likely damage this engine and void the warranty.

Using Fuel Additives

The container of 2-cycle oil provided with this unit includes a fuel additive to help inhibit corrosion and minimize gum deposits. Always use the brand of 2-cycle oil that came with this unit. If this is unavailable, use a 2-cycle oil designed for air-cooled engines and mix it with a fuel additive, such as STA-BIL Fuel Stabilizer or an equivalent. Add 0.8 oz. (23 ml) of fuel additive per gallon of fuel, according to the instructions on the container. NEVER add fuel additives directly to the unit's fuel tank.



Mixing the Fuel

NOTE: This unit comes with a 3.2 oz. (95 ml) container of 2-cycle oil. To obtain the correct fuel mixture described below, pour the entire container into one gallon of unleaded gasoline.



CAUTION: For proper engine operation and maximum reliability, pay strict attention to the gasoline and oil mixing instructions on the 2-cycle oil container. Using improperly mixed fuel can severely damage the engine.

Thoroughly mix the proper ratio of unleaded gasoline with 2-cycle engine oil. Do not mix them directly in the unit's fuel tank. Use a separate fuel can. Use a 40:1 gasoline/oil ratio. See the table below for specific gasoline and oil mixing ratios.

	
Unleaded gasoline	2-cycle oil
1 gallon U.S. (3.8 liters)	3.2 fl. oz. (95 ml)
1 liter	25 ml

MIXING RATIO - 40:1

FUELING THE UNIT



WARNING: Gasoline is extremely flammable. Ignited vapors may explode. Always stop the engine and allow it to cool before filling the fuel tank. Do not smoke while filling the tank. Keep sparks and open flames at a distance from the area.



WARNING: Remove the fuel cap slowly to avoid injury from fuel spray. Never operate the unit without the fuel cap securely in place.



WARNING: Add fuel in a clean, well-ventilated outdoor area. Wipe up any spilled fuel immediately. Avoid creating a source of ignition for spilled fuel. Do not start the engine until fuel vapors dissipate.

1. Position the unit with the fuel cap facing up.
2. Slowly remove the fuel cap.
3. Place the fuel container spout into the fuel tank fill hole and fill the tank.

NOTE: Do not overfill the tank.

4. Wipe up any fuel that may have spilled.
5. Reinstall the fuel cap.
6. Move the unit at least 30 ft. (9.1 m) from the fuel container and the fueling site before starting the engine.

STARTING AND STOPPING



WARNING: Operate this unit only in a well-ventilated outdoor area. Carbon monoxide exhaust fumes can be lethal in a confined area.



WARNING: Avoid accidentally starting the unit. To avoid serious injury, the operator and the unit must be in a stable position when pulling the starter rope (Fig. 20).

STARTING INSTRUCTIONS

NOTE: To prevent the throttle control from being squeezed accidentally, this unit has a throttle lockout. The throttle control cannot be squeezed unless the throttle lockout is also engaged.

NOTE: There is no need to turn the unit on. The On/Off switch is in the **On (I)** position at all times (Fig. 18).

Before Starting the Unit

1. Mix gasoline with oil. Refer to *Oil and Fuel Mixing Instructions*.
2. Fill the fuel tank. Refer to *Fueling the Unit*.
3. Put the shoulder strap over the operator's head and onto the left shoulder (Fig. 20).

Starting the Unit

NOTE: DO NOT squeeze the throttle control (Fig. 18) until step 6.

1. Slowly press and release the primer bulb **10 times** (Fig. 19).
2. Flip the choke lever clockwise until it clicks (Fig. 19).
3. Crouch in the starting position (Fig. 20).
4. Pull the starter rope with a controlled and steady motion until the unit starts (Fig. 20).
5. Idle the engine for 30 seconds.
6. Press and hold the throttle lockout (Fig. 18). Squeeze the throttle control as needed for operation (Fig. 18).

IF... the engine does not start after pulling the starter rope 10 times, repeat the starting procedure.

IF... the engine is already warm: Press and hold the throttle lockout. Squeeze and hold the throttle control. Pull the starter rope with a controlled and steady motion until the unit starts.

After Starting the Unit

1. Snap the shoulder strap clip onto the shoulder strap / harness loop. Adjust the shoulder strap to fit the operator. Refer to *Assembling and Using the Shoulder Strap*.

STOPPING INSTRUCTIONS

1. Release the throttle control and allow the engine to idle.
2. Press and hold the On/Off switch in the **Off (O)** position until the engine comes to a complete stop (Fig. 18).

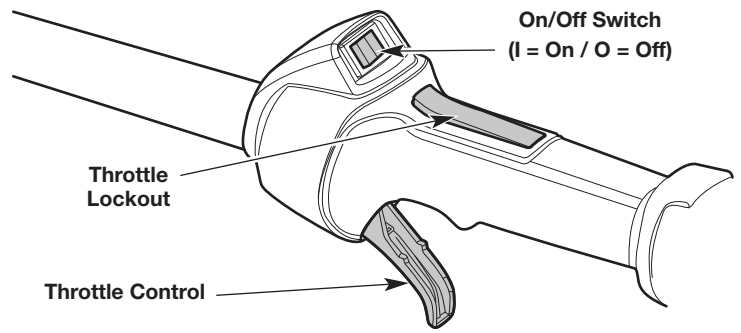


Fig. 18

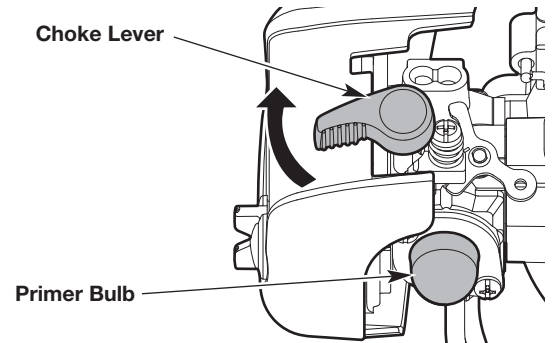


Fig. 19



Fig. 20

OPERATION

HOLDING THE UNIT



WARNING: Always wear appropriate eye, hearing, hand, foot and body protection to reduce the risk of injury when operating this unit. Wear head protection. Use a full face shield when needed. Refer to the *Safety* section for appropriate safety equipment information.



WARNING: To prevent serious personal injury, avoid arm contact with the engine while operating the unit. The engine may be extremely hot.

- Stand in the operating position (Fig. 21). Stand up straight. Do not bend over.
- Keep feet apart and firmly planted.
- Hold the shaft grip with the right hand. Keep the right arm slightly bent.
- Hold the handle with the left hand. Keep the left arm straight.
- Hold the unit at waist level.
- Position the cutting head / blade a few inches above the ground.

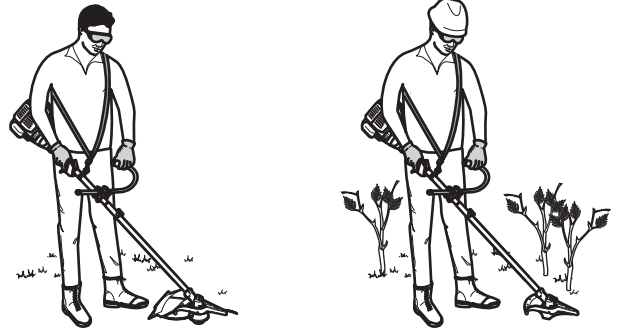


Fig. 21

TIPS FOR BEST RESULTS (AS A BRUSHCUTTER)



WARNING: To avoid serious injury to the operator or others, do not use the blade as an edger.

- Keep the blade parallel to the ground.
- Always cut with the unit running at full speed. This provides maximum cutting power and makes the blade less likely to bind, stall or cause blade thrust.



WARNING: Blade thrust can occur when the spinning blade contacts an object that it does not immediately cut. Blade thrust can be violent enough to cause the unit and/or operator to be propelled in any direction and possibly lose control of the unit. Blade thrust can occur without warning if the blade snags, stalls or binds. This is more likely to occur in areas where it is difficult to see the material being cut.

- To direct clippings away from the operator, cut from left to right whenever possible.
- Always release the throttle control and allow the unit to idle when not cutting.
- When finished, always unsnap the shoulder strap from the unit before taking off the shoulder strap.
- Never use a dull blade. If the blade becomes dull, refer to *Maintaining the Blade* in the *Maintenance* section.



WARNING: The blade will continue to spin for a while after the unit is turned off. To avoid serious personal injury, do not touch a coasting blade.



WARNING: To avoid serious personal injury, always turn the unit off before removing debris from the unit. Allow the blade to come to a complete stop.

ADJUSTING THE TRIMMING LINE LENGTH

This unit is equipped with a bump head. Trimming line can be released from the cutting head without stopping the engine.


To release more line, lightly tap the bump knob on the ground (Fig. 22) while operating the unit at high speed. For best results, tap the bump knob on bare ground or hard soil. Attempting to release line in tall grass may stall the engine.

NOTE: Do not rest the cutting head on the ground while the unit is running.

Each time the bump knob is tapped, about 1 inch (25.4 mm) of trimming line is released.

NOTE: Always keep the trimming line fully extended. Line release becomes more difficult when the cutting line gets shorter.

A blade in the cutting head shield will cut the line to the proper length if any excess line is released.

	<p>WARNING: Do not remove or alter the line cutting blade assembly. Excessive line length will make the unit overheat. This may lead to serious personal injury or damage to the unit.</p>
--	---

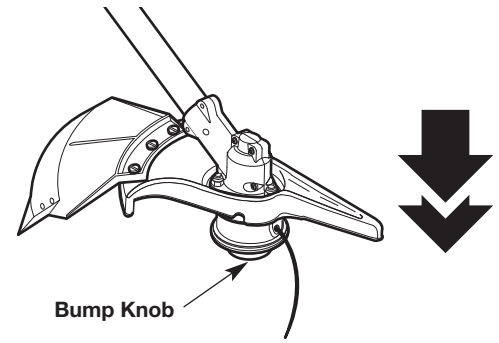


Fig. 22

TIPS FOR BEST RESULTS (AS A TRIMMER)

- For most operations, cut from side to side.
- To direct clippings away from the operator, tilt the cutting head slightly down to the right; cut from left to right whenever possible.
- Cut tall grass (over 8 inches (20cm)) from the top down by lowering the cutting head onto the grass.
- Cut with the tip of the trimming line.
- Cut in small increments. Move slowly. Do not force the unit.
- Do not trim wet grass or weeds.

NOTE: Some line breakage will occur from:

- Entanglement with foreign matter
- Normal line fatigue
- Attempting to cut thick vegetation
- Forcing the line into objects such as walls or fence posts

DECORATIVE TRIMMING (AS A TRIMMER)

When trimming around trees, posts, fences, etc., rotate the whole unit so that the cutting head is at a 30° angle to the ground (Fig. 23).

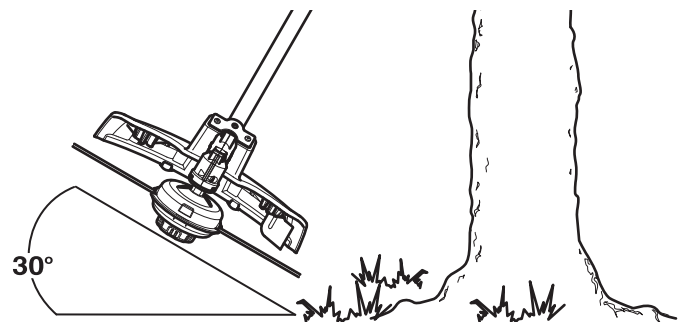


Fig. 23

EDGING (AS A TRIMMER)

The trimmer attachment can be used for edging (Fig. 24). Alternatively, a bladed lawn edger attachment can also be purchased for use with this unit.

Rotating the Trimmer Attachment



WARNING: To avoid serious personal injury and damage to the unit, shut the unit off before rotating the attachment.

When edging around sidewalks, flowerbeds, etc., rotate the trimmer attachment 90° inside the coupler. **DO NOT** rotate the entire unit 90°.

1. Turn the knob counterclockwise to loosen the coupler (Fig. 25).
2. Press and hold the release button (Fig. 25).
3. Rotate the attachment until the release button snaps firmly into the 90° edging hole (Fig. 25).
4. Turn the knob clockwise to tighten the coupler (Fig. 25).



WARNING: Only snap the release button into the 90° edging hole when edging with the trimmer attachment. Using the 90° edging hole with other attachments could lead to personal injury or damage to the unit.

Maintaining the Trimming Line

Hard surfaces, such as sidewalks, can cause the trimming line to wear down quickly or break.

- Frequently check and adjust the trimming line length. Refer to *Adjusting the Trimming Line Length*. Always keep the trimming line fully extended.
- **DO NOT** force the unit. Make shallow cuts in as many passes as are necessary to achieve the desired depth. Cut at a slow, even pace.



Fig. 24

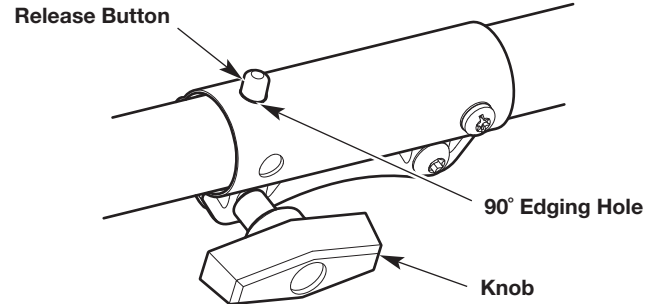


Fig. 25

MAINTENANCE



WARNING: To avoid serious personal injury, always stop the engine and allow it to cool before cleaning or maintaining the unit. Never perform cleaning or maintenance while the unit is running. Disconnect the spark plug wire to prevent the unit from starting accidentally.



WARNING: Wear protective clothing and observe all safety instructions to prevent serious personal injury.

MAINTENANCE SCHEDULE

Perform these required maintenance procedures at the frequency stated in the table. These procedures should also be a part of any seasonal tune-up.

NOTE: Some maintenance procedures may require special tools or skills. If you are unsure about these procedures, take the unit to an authorized service dealer. Call **1-888-331-4569** for more information.

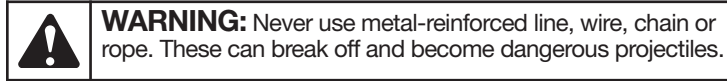
NOTE: Maintenance, replacement, or repair of the emission control devices and system may be performed by an authorized service dealer. Call **1-888-331-4569** for more information.

NOTE: Please read the California/EPA statement that came with the unit for a complete listing of terms and coverage for the emissions control devices, such as the spark arrestor, muffler, carburetor, etc.

FREQUENCY	MAINTENANCE REQUIRED
Every 10 hours	<ul style="list-style-type: none">• Clean and re-oil the air filter. Refer to <i>Maintaining the Air Filter</i>.
Every 25 hours	<ul style="list-style-type: none">• Check the spark plug condition and gap. Refer to <i>Maintaining the Spark Plug</i>.

REPLACING THE TRIMMING LINE

Only use the trimming line described in the *Specifications* section. Other types of trimming line may cause the unit to overheat or fail.



NOTE: Always use the correct line length when installing trimming line. The line may not release properly if the line is too long.

Part 1 - Removing the Inner Reel

1. Hold the cutting head in place (Fig. 26). Turn the bump knob clockwise to unscrew it from the cutting head (Fig. 26).

NOTE: The outer spool (Fig. 27) will remain attached to the unit.

2. Inspect the bolt inside the bump knob to make sure it moves freely (Fig. 26). Replace the bump knob if it is damaged.
3. Remove the inner reel from the outer spool (Fig. 27).
4. Remove the spring from the inner reel (Fig. 27).
5. Use a clean cloth to clean the inner reel, spring, arbor and inner surface of the outer spool.
6. Check the indexing teeth and holding slots for wear (Fig. 28). If necessary, remove burrs or replace the inner reel and outer spool.

Proceed to *Part 2 - Winding New Trimming Line onto the Inner Reel*.

Part 2 - Winding New Trimming Line onto the Inner Reel

- If using single line, refer to *Winding Single Line*.
- If using split line, refer to *Winding Split Line*.
- If using a prewound inner reel, proceed to *Part 3 - Installing the Inner Reel*.

Winding Single Line

1. Cut one 18-foot (5.5 m) length of new single trimming line. Fold the line in half to create a loop in the middle.
2. Insert the two line ends through the two holes in the inner reel (Fig. 29). Pull the line through the inner reel so that the loop is as small as possible (Fig. 29). Make sure the line ends are of equal length.
3. Wind the line tightly in the direction shown on the bottom of the inner reel until about 6 inches (150 mm) of line remains. Place your index finger between the two lines to stop the lines from overlapping.

NOTE: Failure to wind the line in the direction indicated will cause the cutting head to operate incorrectly.

4. Insert the two 6-inch ends into the two holding slots (Fig. 30).

Proceed to *Part 3 - Installing the Inner Reel*.

Winding Split Line

1. Cut one 9-foot (2.7 m) length of new split line trimming line.
2. Insert one line end through one of the two holes in the inner reel. Pull the line through the inner reel until about 4 inches (10 cm) remain (Fig. 31).
3. Insert the end of the 4-inch section into the open hole in the inner reel and pull the line tight to make the loop as small as possible (Fig. 31).
4. Split the other line end about 6 inches (150 mm).
5. Wind the line tight in even layers in the direction indicated on the inner reel.

NOTE: Failure to wind the line in the direction indicated will cause the cutting head to operate incorrectly.

6. Insert the two 6-inch ends into the two holding slots (Fig. 30).

Proceed to *Part 3 - Installing the Inner Reel*.

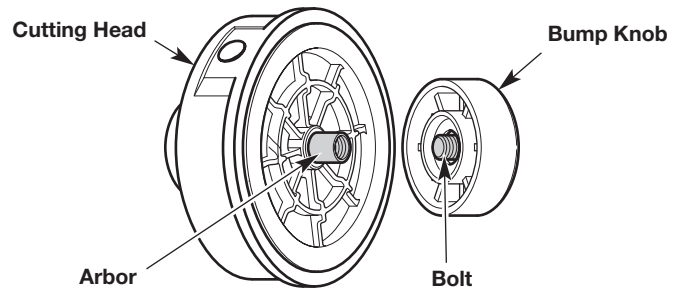


Fig. 26

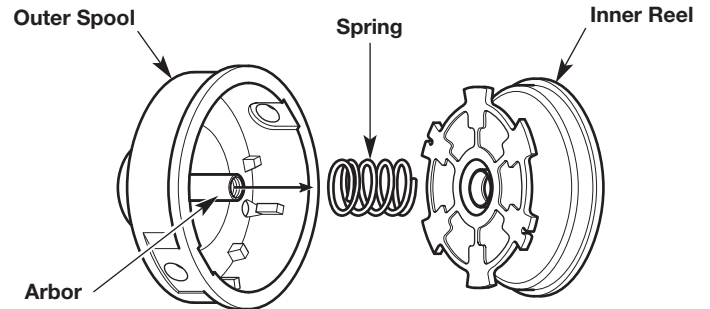


Fig. 27

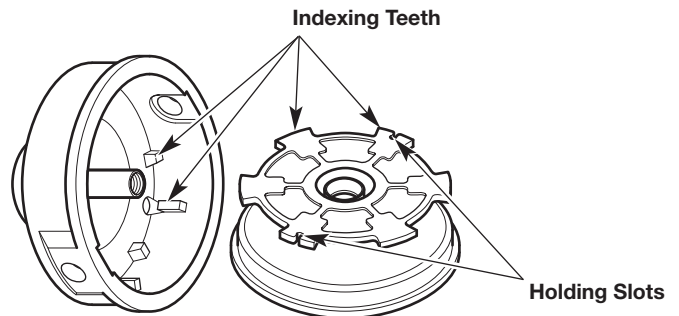


Fig. 28

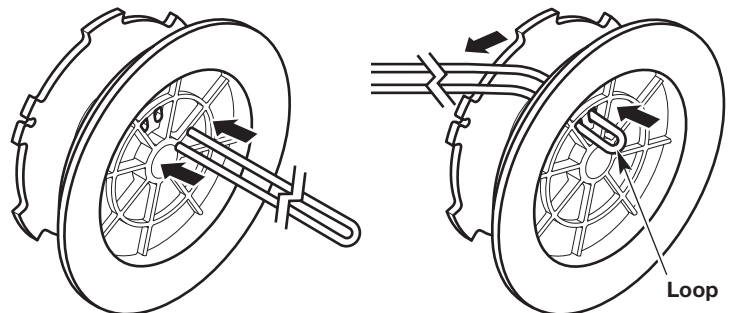


Fig. 29

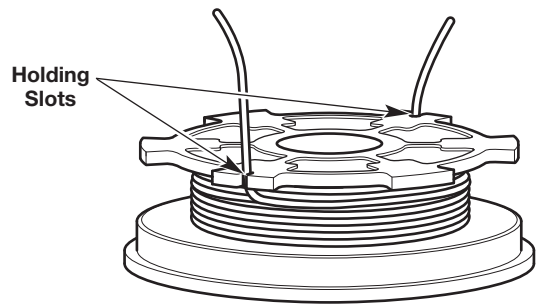


Fig. 30

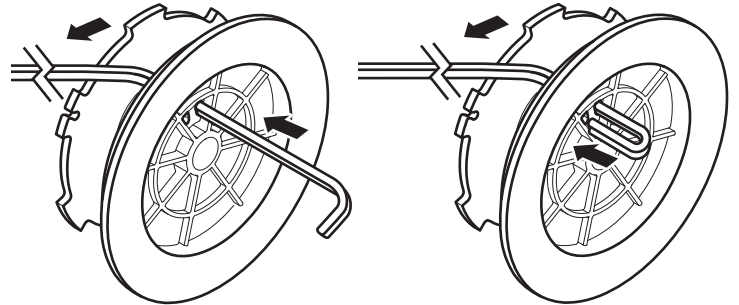


Fig. 31

Part 3 - Installing the Inner Reel

1. Pass the two line ends through the eyelets in the outer spool (Fig. 32).
2. Place the spring inside the inner reel (Fig. 32).
3. Insert the inner reel into the outer spool (Fig. 32). Push the inner reel and outer spool together.
4. While holding the inner reel and outer spool together, firmly pull the two line ends to release them from the holding slots.
5. While holding the inner reel and outer spool together, screw the bump knob on counterclockwise (Fig. 26). Tighten the bump knob securely.

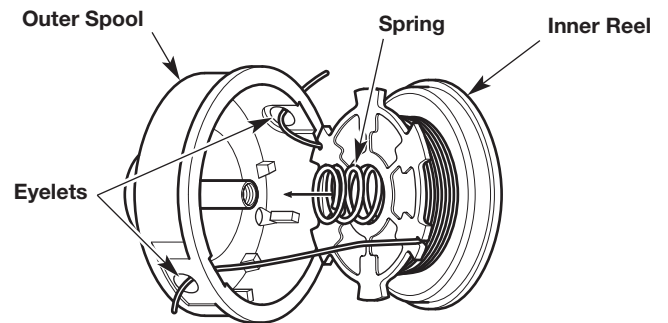


Fig. 32

MAINTAINING THE BLADE



WARNING: Do not sharpen the blade. Sharpening the blade can cause the blade tip to break off while in use. This can result in severe personal injury.

The blade has a second cutting edge. If the blade becomes dull, remove the blade, turn it upside down and reinstall the blade. If both sides are dull, replace the blade. Refer to *Removing the Blade* and *Installing the Blade* in the *Assembly* section.

MAINTAINING THE AIR FILTER

Failure to maintain the air filter can result in poor performance or can cause permanent damage to the engine. Engine failure due to improper air filter maintenance is not covered by the product warranty.

Cleaning the Air Filter

1. Open the air filter cover by unscrewing the cover screw (Fig. 33).
2. Remove the air filter from the air filter housing (Fig. 33).
3. Wash the air filter in detergent and water. Rinse the air filter thoroughly and allow it to dry.
4. Lightly coat the air filter with clean SAE 30 oil.
5. Squeeze the air filter to spread and remove excess oil.
6. Reinstall the air filter in the air filter housing (Fig. 33).

NOTE: Operating the unit without the air filter and air filter cover will VOID the warranty.

7. Insert the hooks on the air filter housing into the slots on the air filter cover (Fig. 34).
8. Swing the air filter cover to the right and align the cover screw with the cover screw hole (Fig. 34). Tighten the cover screw to secure the air filter cover.

NOTE: Do not over tighten as this may strip the screw.

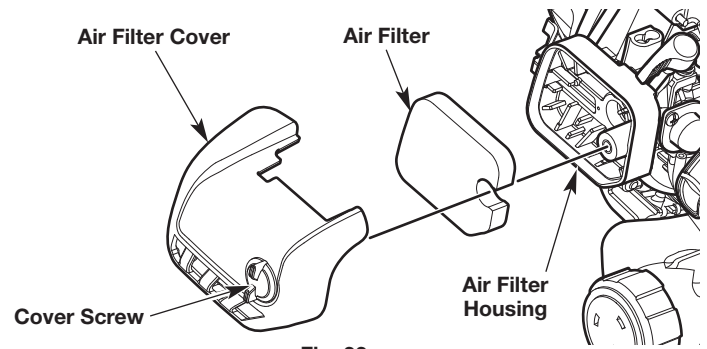


Fig. 33

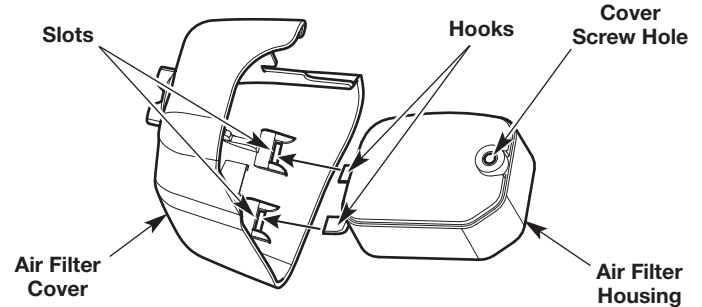


Fig. 34

ADJUSTING THE IDLE SPEED

WARNING: The cutting head may spin during idle speed adjustments. Wear protective clothing and observe all safety instructions to prevent serious personal injury.

If the engine will not idle properly:

1. Start the engine. Refer to *Starting and Stopping*.
2. Release the throttle control and let the engine idle.

NOTE: Make sure the choke lever is **NOT** engaged while adjusting the idle speed.

- If the engine stops, increase the idle speed. Use a small Phillips screwdriver to turn the idle speed screw clockwise, 1/8 of a turn at a time, until the engine idles smoothly (Fig. 35).
- If the cutting head spins when the engine idles, reduce the idle speed. Turn the idle speed screw counterclockwise, 1/8 of a turn at a time, until the cutting head stops moving (Fig. 35).

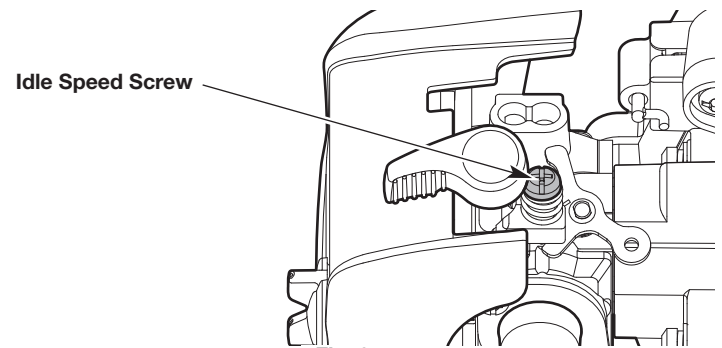


Fig. 35

MAINTAINING THE SPARK PLUG

1. Stop the engine and allow it to cool. Grasp the spark plug boot firmly and pull it from the spark plug.
2. Clean around the spark plug. Remove the spark plug from the cylinder head with a 5/8-inch socket, turning counterclockwise.



WARNING: Do not sand blast, scrape or clean spark plug electrodes. Grit in the engine could damage the cylinder.

3. Inspect the spark plug. If the spark plug is cracked, fouled or dirty, replace it with replacement part #753-06847, a **Champion RDJ7J** or an equivalent spark plug.
4. Use a feeler gauge to set the air gap at **0.025 in. (0.635 mm)** (Fig. 36).
5. Install the spark plug in the cylinder head. Tighten the spark plug with a 5/8-inch socket, turning it clockwise until snug.

NOTE: If using a torque wrench, torque to:

110-120 in.·lb. (12.3-13.5 N·m). Do not over tighten.

6. Reattach the spark plug boot.

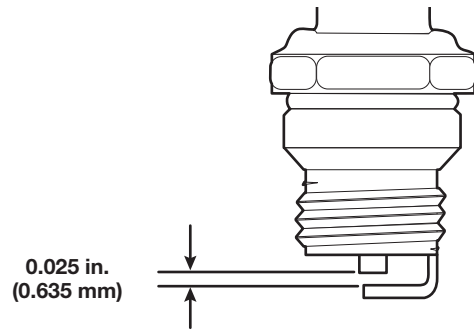


Fig. 36

CLEANING AND STORAGE

CLEANING



WARNING: To avoid serious personal injury, always stop the engine and allow it to cool before cleaning or maintaining the unit.

Use a small brush to clean the outside of the unit. Do not use strong detergents. Household cleaners that contain aromatic oils such as pine and lemon, and solvents such as kerosene, can damage plastic. Wipe off any moisture with a soft cloth.

Clean the brushcutter blade with a household cleaner to remove gum buildup. Wipe the brushcutter blade with a light machine oil to prevent rust.

STORAGE

- Never store a fueled unit where fumes may reach an open flame or spark.
- Allow the engine to cool before storing.
- Lock up the unit to prevent unauthorized use or damage.
- Store the unit in a dry, well-ventilated area.
- Store the unit out of the reach of children.
- To suspend the attachment from a hook, install the hanger cap onto the attachment. Make sure the release button is securely locked into one of the holes on the hanger cap.

Short-term Storage (1-2 weeks)

1. Store the unit in a horizontal position. If this is not possible, store the unit vertically with the engine at the top.

Long-term Storage

1. Remove the fuel cap, tip the unit and drain the fuel into an approved container. Reinstall the fuel cap.
2. Start the engine and allow it to run until it stalls. This ensures that all fuel has been drained from the carburetor.
3. Allow the engine to cool. Remove the spark plug and put 5 drops of any high-quality motor oil or 2-cycle oil into the cylinder. Pull the starter rope slowly to distribute the oil. Reinstall the spark plug.
4. Thoroughly clean the unit and inspect it for any loose or damaged parts. Repair or replace damaged parts and tighten loose screws, nuts or bolts.

Preparing the Unit for Use after Long-term Storage

1. Remove the spark plug. Tip the unit and drain all of the oil from the cylinder into an approved container. Reinstall the spark plug.

NOTE: Do not use fuel that has been stored for more than 30 days. Dispose of old fuel and oil according to federal, state and local regulations.

TROUBLESHOOTING

PROBLEM	SOLUTION
THE ENGINE WILL NOT START	
The fuel tank is empty	Fill the fuel tank with properly-mixed fuel
The primer bulb was not pressed enough	Press the primer bulb 10 times
The engine is flooded	Press the throttle lockout, squeeze the throttle control and pull the starter rope until the engine starts
The fuel is old (over 30 days) and/or improperly mixed	Drain the fuel tank and add fresh, properly-mixed fuel
The spark plug is fouled	Replace the spark plug
The choke lever was not flipped	Refer to <i>Starting Instructions</i> in the <i>Starting and Stopping</i> section
THE ENGINE WILL NOT IDLE	
The air filter is dirty	Clean or replace the air filter
The fuel is old (over 30 days) and/or improperly mixed	Drain the fuel tank and add fresh, properly-mixed fuel
The idle speed is incorrect	Adjust the idle speed
THE ENGINE WILL NOT ACCELERATE	
The fuel is old (over 30 days) and/or improperly mixed	Drain the fuel tank and add fresh, properly-mixed fuel
The cutting head is bound with grass	Stop the engine and clean the cutting head
The air filter is dirty	Clean or replace the air filter
THE ENGINE LACKS POWER OR STALLS	
The fuel is old (over 30 days) and/or improperly mixed	Drain the fuel tank and add fresh, properly-mixed fuel
The air filter is dirty	Clean or replace the air filter
The spark plug is fouled	Replace the spark plug
THE CUTTING HEAD WILL NOT ADVANCE LINE	
The cutting head is bound with grass	Stop the engine and clean the cutting head
The cutting head is out of line	Refill the cutting head with new line
The inner reel is bound up	Rewind the line
The cutting head is dirty	Clean the inner reel and outer spool
The line is welded	Open the cutting head and remove the welded section
The line is twisted	Rewind the line
Not enough line is extended	Stop the unit, push the bump knob and pull the line until 4 inches (102 mm) is outside of the cutting head
THE CUTTING LINE ADVANCES UNCONTROLLABLY	
There is oil, cleaner or lubricant in the cutting head	Clean and thoroughly dry the cutting head

If further assistance is required, contact an authorized service center.

WARRANTY

MTD LLC

LIMITED WARRANTY FOR CRAFTSMAN® BRANDED HANDHELD PRODUCT

Limited Warranty

The limited warranty set forth herein is given by MTD LLC to the Initial Purchaser (as defined herein) with respect to new Craftsman branded hand held product (“Product”). This limited warranty does not cover Emission Control Systems and is not a Federal Emission Control Warranty Statement as defined by U.S. federal law. Please refer to the Federal Emission Control Warranty Statement in the operator’s manual for warranties covering Emission Control Systems.

Scope Of The Limited Warranty

MTD LLC offers a limited warranty to the Initial Purchaser for residential or otherwise non-commercial use of the Product: subject to the Exclusions defined herein, during the Warranty Period (defined herein). The “Initial Purchaser” is the first person to purchase the Product from an authorized Craftsman branded product dealer, distributor and/or retailer (each a “Retailer”). Except as otherwise set forth herein, the limited warranty period for this new Product purchased by the Initial Purchaser is **two (2) years** from the date of purchase as shown on the original sales receipt for the Product (“Warranty Period”).

Defects In Workmanship Or Materials

Subject to the Exclusions, the Product is warranted to be free from manufacturing defects in either workmanship or materials for the Warranty Period. During the Warranty Period, MTD LLC will, at its option, either repair or replace any original part that is covered by this limited warranty and is determined to be defective in workmanship or material.

To Qualify For This Limited Warranty, The Product:

1. Must have been purchased from an authorized Craftsman branded product Retailer.
2. Must have been purchased within the United States by an Initial Purchaser.
3. Must have been used only for residential or otherwise non-commercial purposes.
4. Must have been used in a manner consistent with the normal and proper intended use.

Who Can Perform Repairs Under This Warranty?

In order to qualify for the limited warranty as set forth herein, the repairs made under warranty must be performed by an authorized warranty service provider.

How To Get Service Under This Limited Warranty

To locate an authorized warranty service provider, contact your authorized Retailer or contact www.craftsman.com/warranty or call toll-free 888-331-4569. A COPY OF YOUR SALES RECEIPT IS REQUIRED FOR WARRANTY SERVICE.

What This Limited Warranty Does Not Cover

This Limited Warranty Does Not Cover The Following (the “Exclusions”):

1. Product purchased outside of the United States.
2. Damage due to lack of maintenance and/or improper maintenance as described in the operator’s manual.
3. Normal wear and tear resulting from use of the Product.
4. Use of the Product that is not consistent with the intended use thereof, as described in the operating instructions, including, but not limited to, abuse, misuse and/or neglect of the Product or any use inconsistent with and/or non-compliant with instructions contained in the operator’s manual.
5. Any expendable, consumable, or routine maintenance item which needs replacement or service as part of normal maintenance, unless such items have defects that cause failure or premature wear within the first thirty (30) days. Where applicable, normal wear items include, but are not limited to, bump knobs, outer spools, cutting line, inner reels, starter pulleys, starter ropes, drive belts, saw chains, guide bars, cultivator tines, filters, spark plugs, carrying cases, scabbards, or blades.
6. Any Product that has been altered or modified in a manner not consistent with the original design of the product or in an unapproved way.
7. Paint repairs or replacements for defective paint (including materials and application) are covered for a period of three (3) months.

This Warranty Does Not Cover And MTD LLC Disclaims Any Responsibility For:

1. Loss of time or loss of use of the Product.
2. Transportation costs and other expenses incurred in connection with the transport of the Product to and from the authorized service provider.
3. Any loss or damage to other equipment or personal items.
4. Damage resulting from the installation or use of any accessory or non-OEM (original equipment manufacturer) part for use with the Product.

Limitations:

1. THERE ARE NO IMPLIED WARRANTIES, INCLUDING, BUT NOT LIMITED TO, ANY IMPLIED WARRANTY OF MERCHANTABILITY OR FITNESS FOR A PARTICULAR PURPOSE. NO WARRANTY APPLIES AFTER THE APPLICABLE WARRANTY PERIOD AS SET FORTH ABOVE AS TO THE PARTS AS IDENTIFIED. NO OTHER EXPRESS WARRANTY OR GUARANTY, WHETHER WRITTEN OR ORAL, EXCEPT AS MENTIONED ABOVE, GIVEN BY ANY PERSON OR ENTITY, INCLUDING A DEALER OR RETAILER, WITH RESPECT TO ANY PRODUCT SHALL BIND MTD LLC. DURING THE WARRANTY PERIOD, THE EXCLUSIVE REMEDY IS REPAIR OR REPLACEMENT OF THE DEFECTIVE PART, AS SET FORTH ABOVE. (SOME STATES DO NOT ALLOW LIMITATIONS ON HOW LONG AN IMPLIED WARRANTY LASTS, SO THE ABOVE LIMITATION MAY NOT APPLY TO YOU.)
2. THE PROVISIONS AS SET FORTH HEREIN PROVIDE THE SOLE AND EXCLUSIVE REMEDY ARISING FROM THE SALE. MTD LLC SHALL NOT BE LIABLE FOR INCIDENTAL OR CONSEQUENTIAL LOSS OR DAMAGES INCLUDING, WITHOUT LIMITATION, FOR TRANSPORTATION OR FOR RELATED EXPENSES, OR FOR RENTAL EXPENSES TO TEMPORARILY REPLACE A WARRANTED PRODUCT. (SOME STATES DO NOT ALLOW THE EXCLUSION OR LIMITATION OF INCIDENTAL OR CONSEQUENTIAL DAMAGES, SO THE ABOVE EXCLUSION OR LIMITATION MAY NOT APPLY TO YOU.)
3. In no event shall recovery of any kind be greater than the amount of the purchase price of the Product sold. Alteration of the safety features of the Product shall void this limited warranty. You assume the risk and liability for loss, damage, or injury to you and your property and/or to others and their property arising out of the use or misuse or inability to use the Product.

How State Law Relates To This Warranty.

This limited warranty gives you specific legal rights, and you may also have other rights, which vary from state to state.

TABLA DE CONTENIDO

Seguridad	25
Conozca su unidad	29
Especificaciones	29
Ensamblaje	30
Aceite y combustible	35
Arranque y parada	36
Operación	37
Mantenimiento	40
Limpieza y almacenamiento	44
Solución de problemas	45
Garantía	46
Números de servicio	Contraportada

Toda la información, las ilustraciones y las especificaciones contenidas en este manual se basan en la información más reciente disponible en el momento de impresión del manual. Nos reservamos el derecho de hacer cambios en cualquier momento sin aviso previo. El producto puede variar ligeramente de las ilustraciones contenidas en este manual.

SEGURIDAD

El objetivo de los símbolos de seguridad es dirigir su atención hacia posibles peligros. Los símbolos de seguridad, así como sus explicaciones, necesitan su atención y comprensión completas. Las advertencias de seguridad no eliminan por sí mismas ningún peligro. Las instrucciones o advertencias que contienen no reemplazan a las medidas adecuadas de prevención de accidentes.

SÍMBOLOS SIGNIFICADO



PELIGRO: Indica un peligro EXTREMO.

Si no se cumple una advertencia de seguridad de **PELIGRO** usted mismo u otras personas sufrirán lesiones graves o la muerte.



ADVERTENCIA: Indica un peligro GRAVE.

Si no se cumple una **ADVERTENCIA** de seguridad usted mismo u otras personas **PUEDEN** sufrir lesiones graves.



PRECAUCIÓN: Indica un peligro de GRAVEDAD MODERADA.

Si no se cumple una señal de seguridad de **PRECAUCIÓN** usted mismo o a otras personas **PUEDEN** sufrir lesiones o se **PUEDEN** producir daños materiales.

NOTA: Proporciona información o instrucciones de vital importancia para el funcionamiento o el mantenimiento del equipo.

NOTA SOBRE EL AMORTIGUADOR DE CHISPAS

NOTA: Para usuarios de los territorios de bosques de EE. UU. y de los estados de California, Maine, Oregon y Washington.

Todos los territorios de bosques de EE. UU. y los estados de California (Códigos de Recursos Públicos 4442 y 4443), Oregon y Washington exigen por ley, que determinados motores de combustión interna que se operan en zonas cubiertas por malezas de bosque y/o hierbas cuenten con un amortiguador de chispas que se deberá mantener en condiciones de uso adecuadas o que el motor se diseñe, equipe y mantenga para prevenir incendios. Corrobore con las autoridades estatales o locales cuáles son las normativas correspondientes a dichas exigencias. El incumplimiento de dichos requerimientos podría generarle una responsabilidad o una multa. **La presente unidad se equipa en la fábrica con un amortiguador de chispas.** Si requiere reemplazo, póngase en contacto con su representante local de servicio para instalar el conjunto de silenciador adecuado.



ADVERTENCIA: Este producto puede exponerlo a productos químicos, incluidos gases de escape del motor, indicados por el estado de California como causantes de cáncer, y monóxido de carbono, indicado por el estado de California como causante de defectos de nacimiento u otros daños reproductivos. Para obtener más información, visite: www.P65Warnings.ca.gov.

Lea el manual del operador y siga todas las advertencias e instrucciones de seguridad. Si no lo hace, el operador y/o los observadores pueden sufrir lesiones graves.

• INSTRUCCIONES DE SEGURIDAD IMPORTANTES •

LEA TODAS LAS INSTRUCCIONES ANTES DE USAR LA UNIDAD

	ADVERTENCIA: Se deben respetar todas las instrucciones de seguridad al usar la unidad. Por favor, lea estas instrucciones antes de utilizar la unidad para garantizar la seguridad del operador y los observadores. Por favor, guarde estas instrucciones para su uso posterior.
--	---

- Lea las instrucciones con atención. Debe familiarizarse con los controles y con el uso apropiado de la unidad. Sepa cómo detener la unidad y desconectar los controles rápidamente.
- Manténgase alerta. No opere esta unidad si está cansado, enfermo o bajo la influencia de alcohol, drogas o medicamentos.
- Nunca permita a los niños operar la unidad. Los adolescentes deben ser entrenados, acompañados y supervisados por un adulto. Nunca permita a los adultos operar la unidad sin las instrucciones adecuadas.
- Se deben instalar correctamente todos los protectores y accesorios de seguridad antes de operar la unidad.
- Inspeccione la unidad antes de usarla. Verifique si hay piezas dañadas. Compruebe si hay pérdidas de combustible. Compruebe que todas las piezas funcionen correctamente. Compruebe que todas las sujeciones estén en su lugar y bien ajustadas. Compruebe que todas las piezas móviles queden adecuadamente alineadas y no se atasquen. Reemplace las piezas que estén agrietadas, astilladas o dañadas de cualquier manera. Haga reparar o reemplazar por un centro de servicio técnico autorizado todas las piezas que estén dañadas o que no funcionen adecuadamente. No utilice la unidad si hay piezas sueltas o dañadas.
- Tenga en cuenta el riesgo de lesiones en la cabeza, las manos y los pies.
- Inspeccione el área con atención antes de arrancar la unidad. Extraiga las rocas, los vidrios rotos, los clavos, los cables, cordeles y demás objetos que podrían ser arrojados o enredarse en la unidad.
- Despeje la zona de niños, observadores y mascotas; manténgalos fuera de un radio de 50 pies (15 m), como mínimo. Incluso a esa distancia, sigue el riesgo de ser alcanzados por los objetos arrojados por el aire. Sugiera a los observadores que usen protección ocular. Si alguien se le aproxima, detenga la unidad de inmediato.
- Apriete el control del acelerador y verifique que vuelva automáticamente a la posición de ralentí. Realice todos los ajustes o las reparaciones antes de usar la unidad.
- No cambie la configuración del regulador del motor ni acelere demasiado el motor.
- Esta unidad está diseñada para uso ocasional, para el hogar únicamente.

ADVERTENCIAS DE SEGURIDAD PARA LAS UNIDADES A GASOLINA

	ADVERTENCIA: La gasolina es sumamente inflamable y sus vapores pueden explotar si se encienden. Adopte las siguientes precauciones:
---	--

- Almacene el combustible únicamente en recipientes diseñados específicamente y aprobados para el almacenamiento de dichos materiales.
- Detenga siempre el motor y déjelo enfriar antes de llenar el depósito. Nunca retire la tapa del depósito de combustible ni agregue combustible cuando el motor esté caliente. Afloje siempre lentamente la tapa del depósito de combustible para descargar la presión que haya en el depósito antes de recargar combustible.
- Mezcle y agregue siempre combustible en una zona al aire libre, limpia y bien ventilada, en la que no haya chispas ni llamas. NO fume.
- Nunca opere la unidad si la tapa del combustible no está bien sujeta en su lugar.
- Evite que se genere una fuente de encendido para el combustible derramado. Limpie de inmediato el combustible derramado de la unidad, antes de encenderla. Mueva la unidad al menos 30 pies (9.1m) de la fuente de combustible y del sitio antes de arrancar el motor. NO fume.
- Nunca arranque ni use la unidad dentro de una habitación o de una construcción cerrada. La inhalación de humos de escape puede ser mortal. Opere esta unidad únicamente en una zona bien ventilada, al aire libre.

DURANTE LA OPERACIÓN

- Utilice anteojos o antiparras de seguridad que cumplan con las normas ANSI Z87.1 vigentes y que tengan la identificación correspondiente. Utilice una protección auditiva al operar esta unidad. Utilice una máscara facial o para polvos si la máquina levanta polvo durante su funcionamiento. Utilice un casco u otro tipo de protección para la cabeza.
- Use pantalones largos y gruesos, botas, guantes y camisa de mangas largas. No use ropa holgada, alhajas, pantalones cortos, sandalias ni ande descalzo. Sujétese el cabello a nivel de los hombros.
- El cabezal/la cuchilla de corte debe permanecer fijo(a) cuando el motor funciona al ralentí. Si no funciona, consulte *Ajuste de la velocidad de ralentí*.
- Ajuste la manija para que brinde el mejor agarre, si corresponde.
- Compruebe que el cabezal/la cuchilla de corte no esté en contacto con nada antes de poner en marcha la unidad.
- Use la unidad solamente con luz de día o con una buena luz artificial.
- Evite arranques accidentales. Permanezca en la posición de arranque siempre que tire de la cuerda de arranque. El operador y la unidad deben estar en una posición estable durante el arranque. Consulte *Arranque y Parada*.
- Utilice la herramienta apropiada. Use esta herramienta sólo para el propósito para el que fue diseñada. Sólo use la unidad como se indica en este manual.
- Sostenga siempre la unidad con ambas manos durante la operación. Sostenga firmemente ambas manijas o empuñaduras.

- No se extienda demasiado. Siempre debe estar bien afirmado y mantener el equilibrio adecuado. Tenga cuidado al trabajar sobre escalinatas, cuestras empinadas o pendientes. Para evitar lesiones graves, no haga funcionar la unidad desde una escalera de mano o un techo.
- Mantenga las manos, el rostro y los pies alejados de todas las piezas móviles. No toque ni intente detener las piezas móviles.
- No toque el motor, el alojamiento del engranaje ni el silenciador. Estas partes se ponen extremadamente calientes por el funcionamiento, incluso después de que se apaga la unidad.
- No opere la unidad a una velocidad mayor a la necesaria para la tarea. No haga funcionar la unidad a alta velocidad cuando no está en uso.
- No exija demasiado a la unidad. Si se usa a la velocidad para la que fue diseñada, realizará un trabajo más eficiente y seguro.
- Apague siempre la unidad cuando la operación se encuentre demorada o cuando la unidad se traslade de un lugar a otro. Compruebe que todas las piezas móviles se detengan completamente.
- Antes de apoyar la unidad, siempre asegúrese de que el motor esté apagado y que todas las piezas móviles se hayan detenido.
- Si la unidad golpea o se enreda con un objeto extraño, detenga la unidad de inmediato. Controle si la unidad está dañada. Si hay daño, no vuelva a arrancar o hacer funcionar la unidad hasta hacerlo arreglar. No utilice la unidad si hay piezas sueltas o dañadas.
- Apague el motor y desconecte la bujía para realizar tareas de mantenimiento o reparación.
- Use sólo piezas de reemplazo y accesorios del fabricante del equipo original (OEM) para esta unidad. Los puede adquirir al distribuidor de servicio autorizado. Si usa cualquier otra pieza o accesorio, el usuario podría lesionarse gravemente o la unidad podría dañarse y se anularía la garantía.
- Mantenga limpia la unidad. Quite con cuidado cualquier resto de vegetación u otros residuos que puedan bloquear las piezas móviles.
- A fin de reducir el riesgo de incendio, reemplace el silenciador y el amortiguador de chispas si están averiados. Mantenga el motor y el silenciador libres de hierbas, hojas y de la acumulación excesiva de grasa o de carbono.
- Si la unidad comienza a vibrar en forma anormal, deténgala de inmediato. Inspeccione la unidad para determinar la causa de la vibración. La vibración por lo general indica que hay algún problema.

SEGURIDAD DE LA RECORTADORA

- Use únicamente el hilo de recorte que se describe en la sección *Especificaciones* de este manual. Nunca use un hilo, un cable, una cadena o una cuerda de metal reforzados. Podrían separarse y convertirse en proyectiles peligrosos.
- El protector del cabezal de corte siempre debe estar colocado mientras se opera la unidad.
- No utilice la unidad si no están extendidos ambos hilos de recorte y si no está instalado el hilo adecuado. No extienda el hilo de recorte más allá de la longitud del protector.

SEGURIDAD DE LA DESBROZADORA

- El protector de la cuchilla siempre debe estar colocado mientras la unidad está funcionando.
- Use siempre el arnés de hombro cuando opere una desbrozadora.
- Cuando está en funcionamiento, mantenga siempre la manija entre el operador y la cuchilla.

- Nunca haga funcionar la unidad con la cuchilla más arriba de la cintura.
- Para evitar un rebote violento, no intente cortar material de más de 1/2 pulgada (1.27 cm) de diámetro.
- Puede generar arrastre de la cuchilla cuando la cuchilla girando toca un objeto que no corta inmediatamente. El arrastre puede ser lo suficientemente violento como para impulsar a la unidad y/o al operador en cualquier dirección, posiblemente provocando pérdida de control. El arrastre puede ocurrir sorpresivamente si la cuchilla se engancha, se frena o se adhiere. Hay más probabilidad de que esto ocurra en áreas donde es difícil ver el material que se corta.
- La cuchilla continuará girando luego de apagar la unidad. La cuchilla girando por inercia puede causar lesiones graves. Mantenga el control de la unidad hasta que todas las piezas móviles se hayan detenido.
- No afile la cuchilla. Si la afila, es posible que la punta de la cuchilla se rompa mientras está en uso. Podrían producirse lesiones personales graves. Si la cuchilla está desafilada, reemplácela.
- No utilice la unidad si la cuchilla está doblada, rajada o desafilada. Reemplace las cuchillas dobladas, rajadas o desafiladas.
- No use la cuchilla para recortes; podría ocasionar lesiones personales graves para usted o para terceros.
- La cuchilla puede estar afilarse demasiado con el uso. Use siempre guantes pesados para manipular, reemplazar o limpiar la cuchilla.

OTRAS ADVERTENCIAS DE SEGURIDAD


- El mantenimiento de la unidad debe ser minucioso. Siga todas las instrucciones de mantenimiento de este manual.
- No realice ningún procedimiento de mantenimiento que no figure en este manual. Todas las tareas de reparación, con excepción de los procedimientos de mantenimiento que se describen en este manual, deben ser realizados por un distribuidor de servicio autorizado.
- Nunca extraiga, modifique o deje inoperativo ningún dispositivo de seguridad que venga con la unidad.
- Antes de inspeccionar, mantener, limpiar, guardar, transportar o reemplazar alguna de las piezas en la unidad:
 1. Detenga la unidad. Consulte *Arranque y Parada*.
 2. Asegúrese de que se hayan detenido todas las piezas móviles.
 3. Deje que la unidad se enfríe.
 4. Desconecte el cable de la bujía.
- Sujete la unidad durante el transporte.
- Nunca almacene la unidad con combustible en el depósito, en el interior de una construcción donde las emanaciones puedan alcanzar una llama abierta (luces piloto, etc.) o chispas (interruptores, motores eléctricos, etc.).
- Almacene la unidad en un lugar seco, asegurada o a una altura que evite que se la use sin autorización o se la dañe. Mantenga la unidad lejos del alcance de los niños.
- Nunca rocíe ni arroje chorros de agua ni de ningún otro líquido a la unidad. Mantenga las manijas secas y limpias (sin residuos, aceite ni grasa). Limpie la unidad luego de cada uso. Consulte *Limpieza y almacenamiento*. No utilice solventes o detergentes fuertes.
- Guarde estas instrucciones. Consúltelas con frecuencia y úselas para capacitar a otros usuarios. Si le presta esta unidad a otras personas, también debe prestarles estas instrucciones.

GUARDE ESTAS INSTRUCCIONES

• SÍMBOLOS INTERNACIONALES Y DE SEGURIDAD •

Este manual del operador describe símbolos de seguridad e internacionales, así como pictogramas, que pueden aparecer en este producto. Lea el manual del operador para obtener información completa sobre seguridad, montaje, funcionamiento, mantenimiento y reparaciones.

SÍMBOLOS SIGNIFICADO

	<ul style="list-style-type: none"> • SÍMBOLO DE ALERTA DE SEGURIDAD Indica peligro, advertencia o precaución. Puede utilizarse junto con otros símbolos o pictogramas.
	<ul style="list-style-type: none"> • LEA EL MANUAL DEL OPERADOR ADVERTENCIA: Lea el (los) manual(es) del operador y cumpla todas las advertencias e instrucciones de seguridad. Si no lo hace, el operador y/o los observadores pueden sufrir lesiones graves.
	<ul style="list-style-type: none"> • PROTÉJASE LA CABEZA, LOS OJOS Y LOS OÍDOS ADVERTENCIA: Los objetos lanzados y el ruido fuerte pueden ocasionar lesiones graves a los ojos y pérdida de la audición. Al operar esta unidad, use protección para los ojos que cumpla con la normas ANSI / ISEA Z87.1 y protección para los oídos. Utilice casco cuando opere esta unidad. De ser necesario, use un protector facial completo.
	<ul style="list-style-type: none"> • UTILICE PROTECCIÓN DE PIES Siempre utilice calzado reforzado, antideslizante, cuando haga funcionar esta unidad.
	<ul style="list-style-type: none"> • UTILICE PROTECCIÓN DE MANOS Siempre utilice guantes reforzados, antideslizantes, cuando manipule esta unidad.
	<ul style="list-style-type: none"> • POSICIÓN DE MANIJA Mueva la manija hasta que la flecha/línea de la calcomanía toque el montaje de abrazaderas.
	<ul style="list-style-type: none"> • COMBUSTIBLE SIN PLOMO Utilice siempre combustible limpio, nuevo y sin plomo.
	<ul style="list-style-type: none"> • ACEITE Consulte el manual del operador para conocer el tipo adecuado de aceite.
	<ul style="list-style-type: none"> • NO UTILICE COMBUSTIBLE E85 EN ESTA UNIDAD PRECAUCIÓN: Se ha demostrado que el combustible que contiene más de un 10% de etanol es probable que dañe este motor y anule la garantía.

SÍMBOLOS SIGNIFICADO

	<ul style="list-style-type: none"> • APAGADO/ENCENDIDO DE CONTROL DE PARADA ENCENDIDO / ARRANQUE / MARCHA
	<ul style="list-style-type: none"> • APAGADO/ENCENDIDO DE CONTROL DE PARADA APAGADO o PARADA
	<ul style="list-style-type: none"> • BULBO DEL CEBADOR Presione por completo el bulbo del cebador lentamente 10 veces.
	<ul style="list-style-type: none"> • LOS OBJETOS ARROJADOS PUEDEN PROVOCAR LESIONES GRAVES ADVERTENCIA: Es posible que se arrojen objetos pequeños por el aire a alta velocidad, lo cual puede provocar lesiones.
	<ul style="list-style-type: none"> • MANTENGA ALEJADOS A LOS OBSERVADORES ADVERTENCIA: Mantenga a todos los observadores, especialmente a los niños y las mascotas, al menos a 50 pies (15 m) de la zona de trabajo.
	<ul style="list-style-type: none"> • SUPERFICIE CALIENTE ADVERTENCIA: No toque el silenciador o el cilindro cuando estén calientes. Puede quemarse. Estas piezas se calientan extremadamente durante el funcionamiento. Una vez apagadas, continúan calientes durante un período breve.
	<ul style="list-style-type: none"> • CUCHILLA AFILADA ADVERTENCIA: Hay una cuchilla afilada sobre el protector del cabezal de corte. A fin de evitar lesiones graves, no toque la cuchilla de corte del hilo.
	<ul style="list-style-type: none"> • DESBROZADORA: REEMPLACE LA CUCHILLA DESAFILADA ADVERTENCIA: No afile la cuchilla. Si la afila, es posible que la punta de la cuchilla se rompa mientras está en uso. Podrían producirse lesiones personales graves. Si la cuchilla está desafilada, reemplácela.
	<ul style="list-style-type: none"> • ARRASTRE DE LA CUCHILLA ADVERTENCIA: Puede generar arrastre de la cuchilla cuando la cuchilla girando toca un objeto que no corta inmediatamente. El arrastre puede ser lo suficientemente violento como para impulsar a la unidad y/o al operador en cualquier dirección, posiblemente provocando pérdida de control. El arrastre puede ocurrir sorpresivamente si la cuchilla se engancha, se frena o se adhiere. Hay más probabilidad de que esto ocurra en áreas donde es difícil ver el material que se corta.

CONOZCA SU UNIDAD

APLICACIONES

Como recortadora:

- Corta hierbas y malezas ligeras
- Bordeado
- Recorte decorativo alrededor de árboles, vallas, etc.

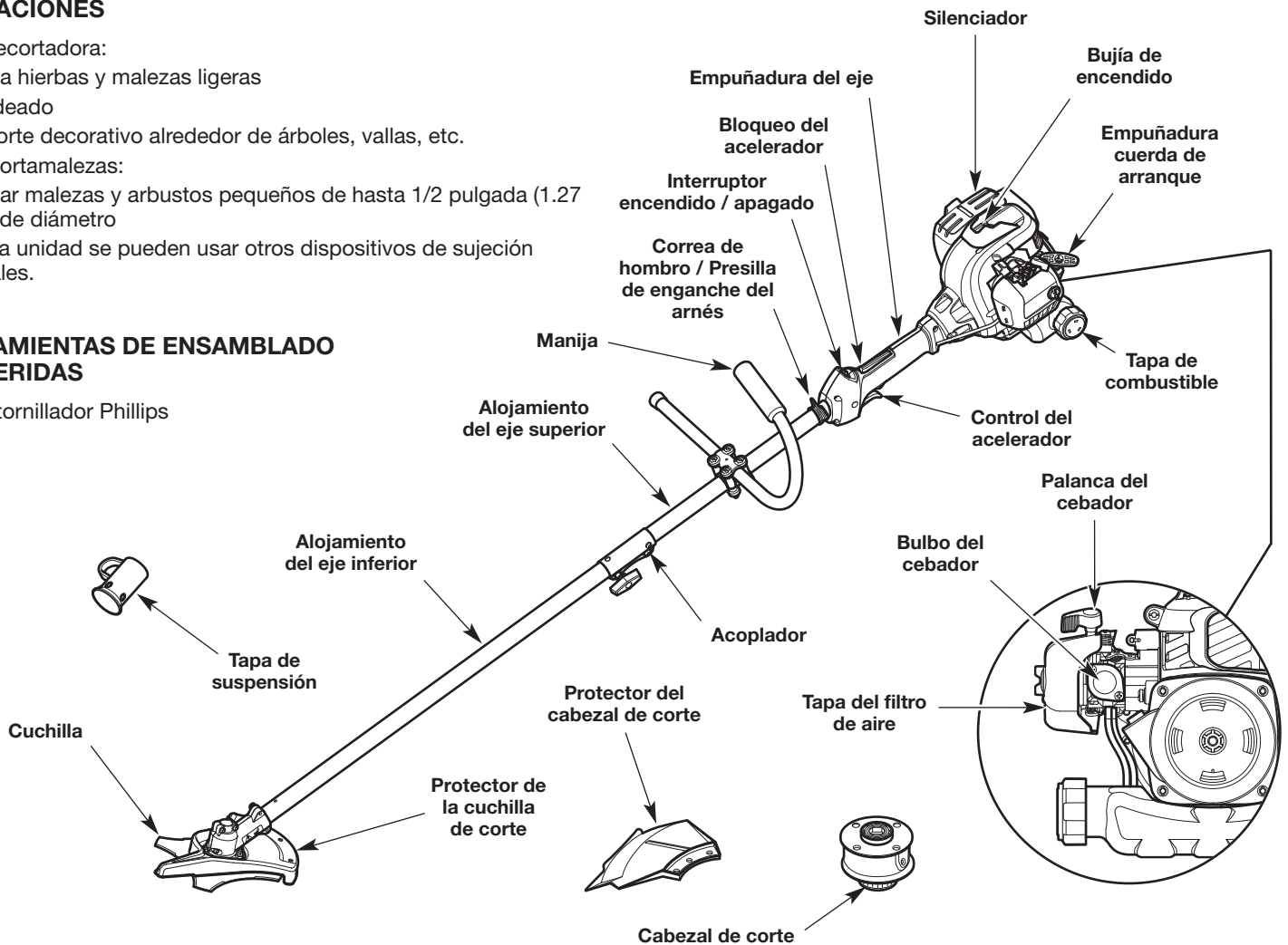
Como cortamalezas:

- Cortar malezas y arbustos pequeños de hasta 1/2 pulgada (1.27 cm) de diámetro

Con esta unidad se pueden usar otros dispositivos de sujeción opcionales.

HERRAMIENTAS DE ENSAMBLADO REQUERIDAS

- Destornillador Phillips





ESPECIFICACIONES*

Tipo de motor	Refrigerado por aire, de 2 ciclos
Desplazamiento	27 cc (1.64 pulgadas cúbicas)
Separación de las bujías	0.025 pulgadas (0.635 mm)
Bujía de encendido	Champion® RDJ7J o bujía equivalente
Lubricación	Mezcla de combustible y aceite
Relación combustible/aceite	40:1
Capacidad del depósito de combustible	14 onzas (414 ml)
Peso aproximado de la unidad (sin combustible).	13 - 14.5 libras (5.9 - 6.6 kg)
Mecanismo de recorte	Cabezal de impacto
Diámetro del hilo de recorte	0.105 pulgadas (2.67 mm)
Diámetro de la senda de corte (recortador)	18 pulgadas (45.7 cm)
Diámetro de la senda de corte (cortamalezas).	8 pulgadas (20.3 cm)

* Todas las especificaciones están basadas se basan en la información más reciente sobre el producto disponible al momento de la impresión. Nos reservamos el derecho a realizar cambios en cualquier momento sin previo aviso.


INSTALACIÓN Y EXTRACCIÓN DEL ACCESORIO


El acoplador permite el uso de varios accesorios opcionales.

-  **ADVERTENCIA:** Antes de comenzar a utilizar cualquiera de los accesorios, lea y comprenda el manual que viene con dicho accesorio. Tenga en cuenta toda la información de seguridad que incluye.
-  **ADVERTENCIA:** A fin de evitar lesiones personales graves y daños a la unidad, apáguela antes de extraer o instalar un accesorio.

Instalación del accesorio

1. Quite la tapa de suspensión del accesorio. Guarde la tapa de suspensión para utilizarla al almacenar el accesorio. De estar presente, extraiga el espaciador gris del acoplador.
2. Coloque la unidad en una superficie plana y nivelada.
3. Gire la perilla en el sentido contrario a las agujas del reloj para aflojar el acoplador (Fig. 1).
4. Alinee el botón de liberación con el embutimiento de la guía (Fig. 3).
5. Presione el accesorio directamente dentro del acoplador (Fig. 2) hasta que el botón de liberación encaje a presión firmemente del orificio principal (Fig. 3).
6. Gire la perilla en el sentido de las agujas del reloj para apretar el acoplador (Fig. 1).

-  **ADVERTENCIA:** Antes de utilizar esta unidad, asegúrese de que el botón de liberación entre a presión completamente dentro del orificio principal y que la perilla quede bien ajustada.

-  **ADVERTENCIA:** Este botón de liberación debe colocarse a presión solamente en el orificio principal a menos que se especifique lo contrario. Si se utiliza un orificio equivocado, se podrían producir lesiones personales o daños a la unidad.

Extracción del accesorio

1. Coloque la unidad en una superficie plana y nivelada.
2. Gire la perilla en el sentido contrario a las agujas del reloj para aflojar el acoplador (Fig. 1).
3. Oprima y mantenga apretado el botón de liberación (Fig. 3).
4. Tire del accesorio directamente hacia fuera del acoplador (Fig. 2).

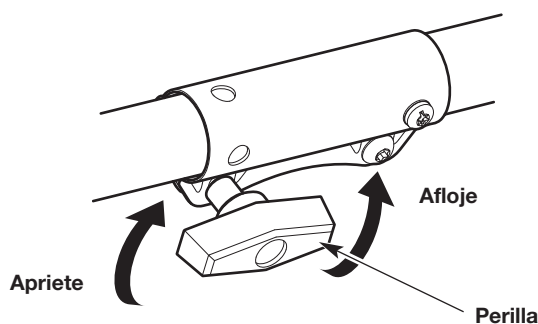


Fig. 1

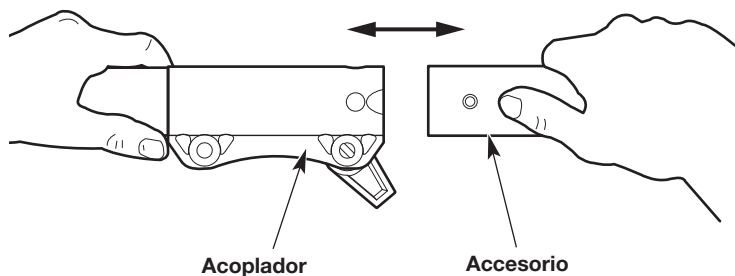


Fig. 2

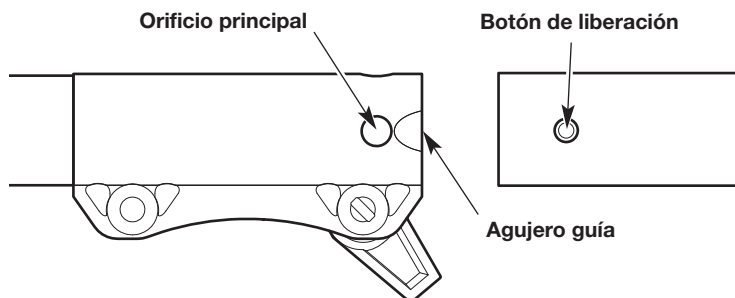


Fig. 3

INSTALACIÓN Y AJUSTE DE LA MANIJA

Instalación de la manija

1. Coloque la manija entre la abrazadera superior y la intermedia (Fig. 4). Si es necesario, rote o voltee la abrazadera intermedia hasta que los orificios de la abrazadera superior y de la abrazadera intermedia se alineen.
2. Coloque las abrazaderas y la manija por encima del alojamiento del eje superior y sobre la abrazadera inferior (Fig. 4).

NOTA: Asegúrese de que la parte curva de la manija se encuentre a la izquierda del operador (Fig. 4).

3. Mientras sujeta las partes juntas, inserte los pernos (4) en los orificios alineados (Fig. 4).

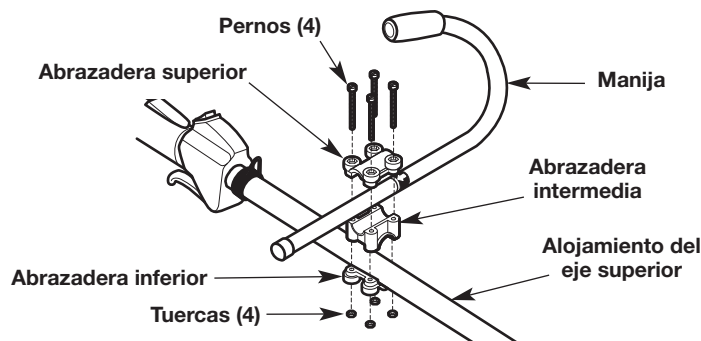


Fig. 4

4. Atornille una tuerca en el extremo de un perno, pero solo ligeramente. Empuje la tuerca dentro del embutimiento hexagonal de la abrazadera inferior. Sostenga la tuerca en su lugar con un dedo para mantenerla en el embutimiento. Apriete el perno con un destornillador Phillips, pero no lo apriete completamente (Fig. 4). Repita este paso con cada tuerca y perno.
5. Sostenga la unidad en posición operativa (Fig. 21) y deslice la manija hacia adentro o hacia afuera de la abrazadera hasta que la flecha/línea de la calcomanía toque la abrazadera (Fig. 5).
6. Oriente la manija hacia adelante o hacia atrás, según lo desee.
7. Ajuste los pernos con un destornillador Phillips hasta que la manija quede segura.

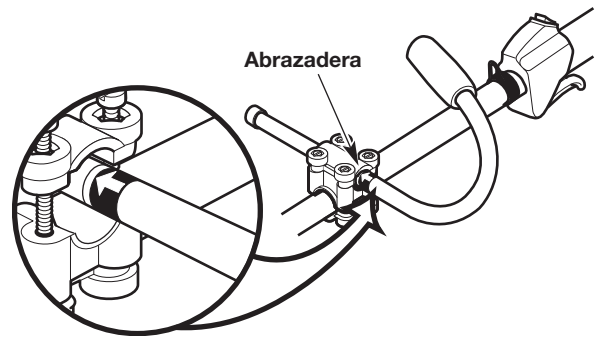


Fig. 5

Ajuste de la manija

Si la manija requiere ajustes:

1. Afloje los pernos (4) ligeramente con un destornillador Phillips (Fig. 4).
2. Mantenga la unidad en posición operativa (Fig. 21) y oriente la manija hacia adelante o hacia atrás, según lo desee.
3. Ajuste los pernos con un destornillador Phillips hasta que la manija quede segura.

MONTAJE Y USO DE LA CORREA DE HOMBRO



ADVERTENCIA: Para evitar lesiones personales graves, use siempre la correa de hombro cuando haga funcionar la unidad como desbrozadora.

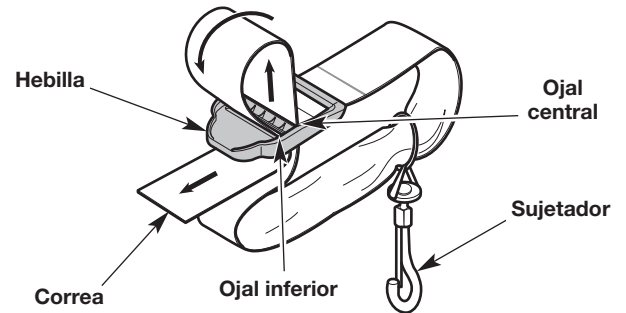


Fig. 6

Montaje de la correa de hombro

1. Haga pasar la correa hacia arriba por el ojal central de la hebilla (Fig. 6).
2. Doble la correa sobre sí misma y hágala pasar por el ojal inferior de la hebilla (Fig. 6).

Uso de la correa de hombro

1. Pase la correa de hombro sobre la cabeza del operador y sobre el hombro izquierdo.
2. Arranque la unidad. Consulte *Arranque y Parada*.
3. Calce el pasador a presión sobre la correa de hombro/presilla de enganche del arnés (Fig. 7).
4. Ajuste la correa de hombro para adecuarla al operador (Fig. 8). Tire de la hebilla hacia arriba para aflojar la correa. Tire de la correa hacia abajo para ajustarla.

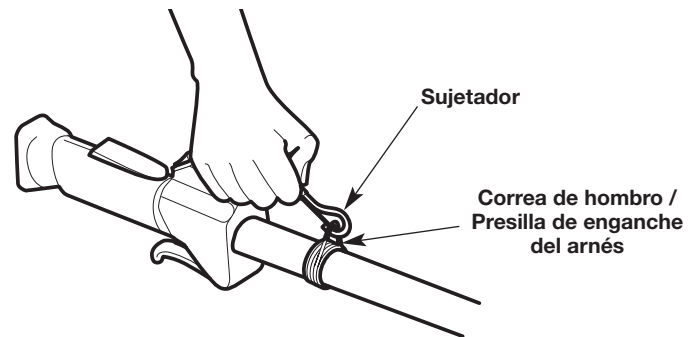


Fig. 7

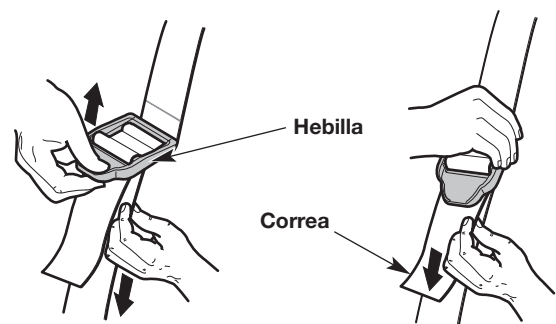




Fig. 8

CONVERSIÓN DE LA UNIDAD DE DESBROZADORA A RECORTADORA


	<p>ADVERTENCIA: Para evitar lesiones personales graves, lleve puesto siempre guantes cuando manipule la cuchilla.</p>
	<p>ADVERTENCIA: Para evitar lesiones personales graves, detenga siempre el motor y deje enfriar la unidad antes de instalar o extraer cualquier pieza. Nunca instale ni extraiga piezas mientras la unidad esté en funcionamiento. Desconecte el cable de la bujía para evitar que la unidad arranque accidentalmente.</p>

Cómo quitar la cuchilla

1. Rote la cuchilla (Fig. 11) hasta que el orificio del casquillo del eje se alinee con la ranura de la varilla de seguridad (Fig. 9).
2. Inserte la varilla de seguridad a través de la ranura de la varilla de seguridad y dentro del orificio del casquillo del eje (Fig. 9).
3. Mantenga la varilla de seguridad en su lugar sujetando el otro extremo contra el alojamiento del eje (Fig. 10).
4. Mientras sostiene la varilla de seguridad en su lugar, afloje la tuerca girándola en el sentido de las agujas del reloj con una llave de tuercas (Fig. 10).
5. Quite la varilla de seguridad (Fig. 11).
6. Retire la retención de la cuchilla y la cuchilla (Fig. 11).

Instalación del cabezal de corte

1. Rote el casquillo del eje de salida hasta que el orificio del casquillo del eje se alinee con la ranura de la varilla de seguridad (Fig. 9).
2. Inserte la varilla de seguridad a través de la ranura de la varilla de seguridad y dentro del orificio del casquillo del eje (Fig. 9).
3. Mantenga la varilla de seguridad en su lugar sujetando el otro extremo contra el alojamiento del eje (Fig. 10).
4. Mientras sostiene la varilla de seguridad en su lugar, coloque la retención de cuchilla sobre el eje de salida con la superficie plana contra el casquillo del eje de salida (Fig. 12).
5. Atornille el cabezal de corte en sentido contrario a las agujas del reloj sobre el eje de salida (Fig. 12). Apriete el cabezal de corte firmemente.
6. Quite la varilla de seguridad.
7. Instale el protector del cabezal de corte. Consulte *Instalación y extracción del protector del cabezal de corte*.

	<p>ADVERTENCIA: Para evitar lesiones personales graves o daño a la unidad, no arranque ni opere la unidad con la varilla de seguridad colocada en su ranura.</p>
--	---

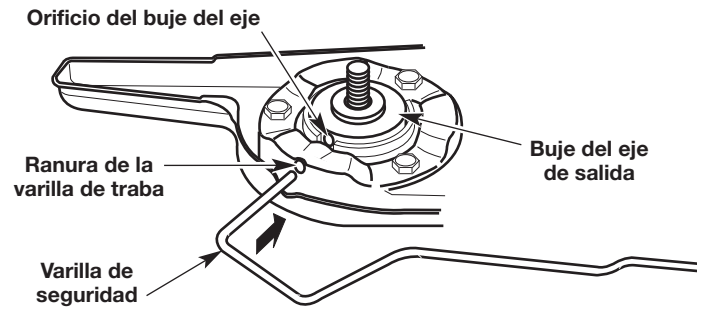


Fig. 9

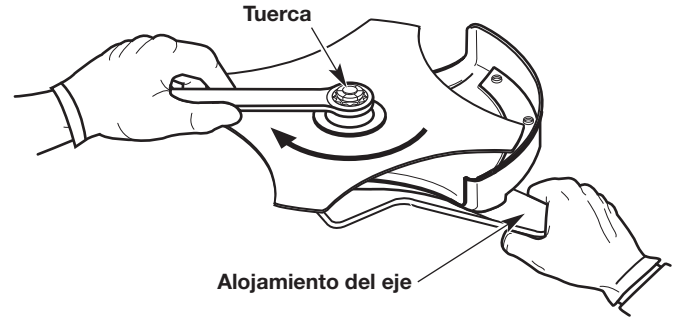


Fig. 10

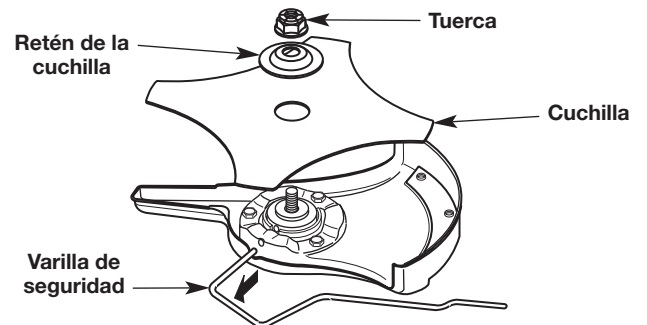


Fig. 11

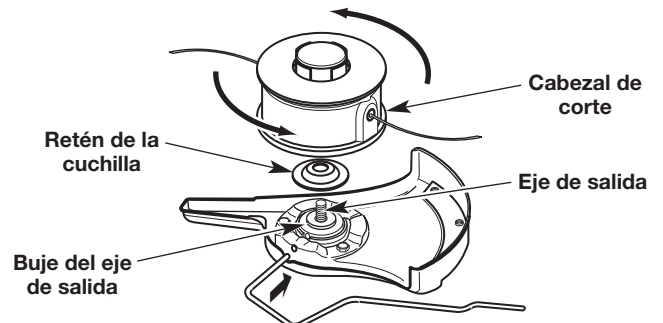


Fig. 12

CONVERSIÓN DE LA UNIDAD DE RECORTADORA A DESBROZADORA



ADVERTENCIA: Para evitar lesiones personales graves, lleve puesto siempre guantes cuando manipule la cuchilla.



ADVERTENCIA: Para evitar lesiones personales graves, detenga siempre el motor y deje enfriar la unidad antes de instalar o extraer cualquier pieza. Nunca instale ni extraiga piezas mientras la unidad esté en funcionamiento. Desconecte el cable de la bujía para evitar que la unidad arranque accidentalmente.

Extracción del cabezal de corte

1. Extraiga el protector del cabezal de corte. Consulte *Instalación y extracción del protector del cabezal de corte*.
2. Rote el cabezal de corte (Fig. 14) hasta que el orificio del casquillo del eje se alinee con la ranura de la varilla de seguridad (Fig. 9).
3. Inserte la varilla de seguridad a través de la ranura de la varilla de seguridad y dentro del orificio del casquillo del eje (Fig. 9).
4. Mantenga la varilla de seguridad en su lugar sujetando el otro extremo contra el alojamiento del eje (Fig. 13).
5. Mientras sostiene la varilla de seguridad en su lugar, desatornille el cabezal de corte girándolo en el sentido de las agujas del reloj (Fig. 14).
6. Quite la varilla de seguridad (Fig. 14).
7. Extraiga la retención de la cuchilla (Fig. 14).

Instalación de la cuchilla

1. Rote el casquillo del eje de salida hasta que el orificio del casquillo del eje se alinee con la ranura de la varilla de seguridad (Fig. 9).
2. Inserte la varilla de seguridad a través de la ranura de la varilla de seguridad y dentro del orificio del casquillo del eje (Fig. 9).
3. Mantenga la varilla de seguridad en su lugar sujetando el otro extremo contra el alojamiento del eje (Fig. 13).
4. Mientras sostiene la varilla de seguridad en su lugar, coloque la cuchilla sobre el alojamiento del eje de salida (Fig. 15).

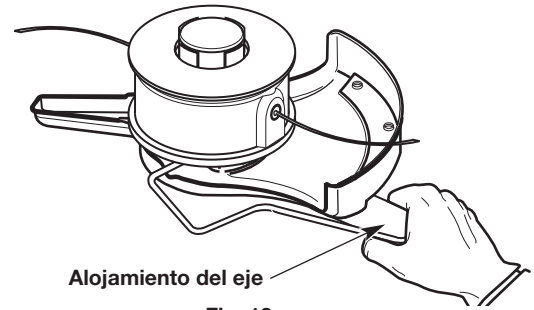


ADVERTENCIA: Para evitar lesiones personales graves, asegúrese de que el orificio piloto de la cuchilla se asiente de forma plana contra el casquillo del eje de salida (Fig. 15). La unidad vibrará y la cuchilla se puede desprender si la cuchilla no está centrada.

5. Coloque la retención de la cuchilla sobre el eje de salida con la superficie plana contra la cuchilla (Fig. 15).
6. Atornille la tuerca sobre el eje de salida (Fig. 15).
7. Ajuste la tuerca en sentido contrario a las agujas del reloj con una llave de tuercas (Fig. 16):
 - Si se usa una llave de par, apriete hasta: **325 - 335 in•lb, 27 - 28 ft. •lb, 37 - 38 N•m.**
 - Si usa una llave de cubo o cerrada, gire la tuerca hasta que la retención de la cuchilla quede ajustada contra la cuchilla. Asegúrese de que la cuchilla esté instalada correctamente, luego rote la tuerca 1/4 a 1/2 giro más en sentido contrario a las agujas del reloj.
8. Quite la varilla de seguridad.



ADVERTENCIA: Para evitar lesiones personales graves o daño a la unidad, no arranque ni opere la unidad con la varilla de traba colocada en su ranura.



Alojamiento del eje

Fig. 13

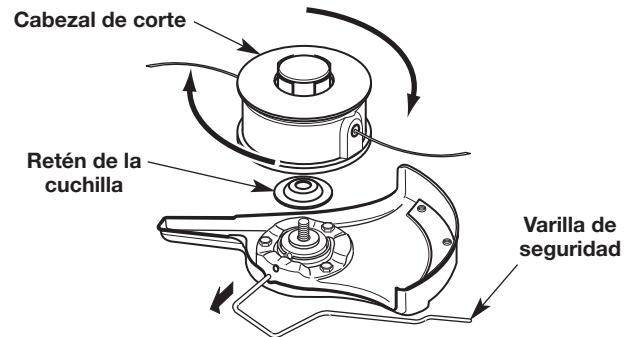


Fig. 14

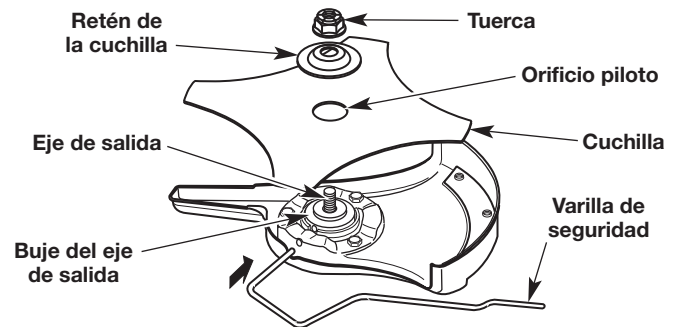


Fig. 15

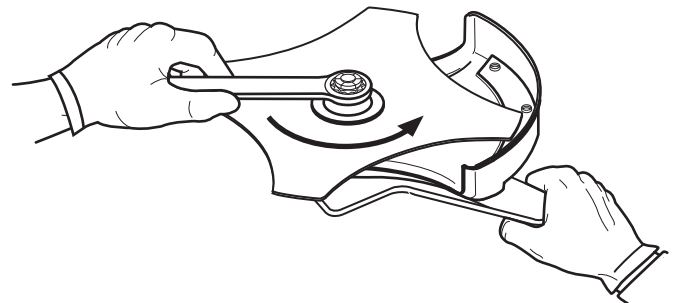




Fig. 16

INSTALACIÓN Y EXTRACCIÓN DEL PROTECTOR DEL CABEZAL DE CORTE

	ADVERTENCIA: A fin de evitar que se produzcan lesiones personales graves, no opere nunca la unidad como recortadora sin el protector del cabezal de corte en su lugar.
	ADVERTENCIA: NO instale el protector del cabezal de corte cuando utilice la unidad como desbrozadora. Retire el protector del cabezal de corte antes de extraer o instalar la cuchilla.

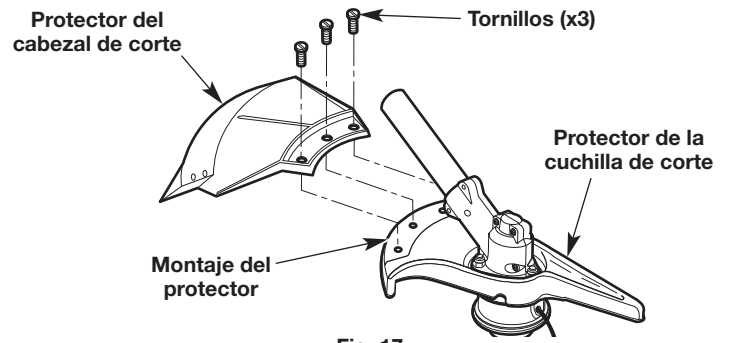


Fig. 17

Instalación del protector del cabezal de corte

1. Coloque el protector del cabezal de corte por encima de la superficie del montaje del protector sobre el protector de la cuchilla desbrozadora (Fig. 17).
2. Inserte los tornillos (3) a través de los orificios para tornillos del protector del cabezal de corte (Fig. 17).
3. Apriete los tornillos con un destornillador Phillips.

Extracción del protector del cabezal de corte

1. Desenrosque los tornillos (3) del protector del cabezal de corte con un destornillador Phillips (Fig. 17).
2. Guarde las piezas para usarlas en el futuro.

INSTRUCCIONES PARA LA MEZCLA DEL ACEITE Y EL COMBUSTIBLE

El uso de combustible viejo y/o mal mezclado es la causa más frecuente de los problemas de rendimiento. Sólo se debe utilizar gasolina nueva, limpia y sin plomo. Siga atentamente las instrucciones para que la mezcla de gasolina/aceite sea adecuada.

Definición de combustibles mezclados


Actualmente los combustibles con frecuencia son una mezcla de gasolina y oxigenatos como etanol, metanol o éter (éter metílico terciario-butílico, MTBE). Los combustibles con mezcla de alcohol absorben el agua. Con tan solo un 1% de agua en el combustible es posible que el combustible y el aceite se separen, formando ácidos cuando se almacenan. SIEMPRE debe usar combustible nuevo (con menos de 30 días de antigüedad).

NOTA: Deseche el combustible usado de acuerdo con las normativas federales, estatales y locales.

Uso de combustibles mezclados

Si utiliza un combustible mezclado:

- Utilice siempre la mezcla de combustible nueva según se explica en este manual del operador
- Use el aditivo para combustible STA-BIL® u otro equivalente
- Agite siempre la mezcla de combustible antes de recargar combustible en la unidad


	PRECAUCIÓN: NO UTILICE COMBUSTIBLE E85 EN ESTA UNIDAD. Se ha demostrado que el combustible que contiene más de un 10% de etanol es probable que dañe este motor y anule la garantía.
--	---

Uso de aditivos para el combustible



El recipiente de aceite de 2 ciclos que se suministra con esta unidad contiene un aditivo para combustible que ayuda a inhibir la corrosión y minimiza la formación de depósitos de goma. Utilice siempre la marca de aceite de 2 ciclos que vino con esta unidad. Si no está disponible, utilice un aceite de 2 ciclos que esté diseñado para motores enfriados por aire y mézclelo con un aditivo para combustible, como el estabilizador de combustible STA-BIL u otro equivalente. Agregue 0.8 onzas (23 ml) de aditivo para combustible por galón de combustible según las instrucciones del recipiente. NUNCA agregue aditivos para el combustible directamente al depósito de combustible de la unidad.

Mezcla del combustible

NOTA: La presente unidad viene con un recipiente de 3.2 onzas (95 ml) de aceite de 2 ciclos. Para obtener la mezcla de combustible correcta que se describe a continuación, vierta todo el recipiente dentro de un galón de gasolina sin plomo.




	PRECAUCIÓN: Para el funcionamiento correcto del motor y la máxima confiabilidad, preste mucha atención y siga estrictamente las instrucciones para la mezcla de la gasolina y el aceite que figuran en el recipiente de aceite de 2 ciclos. El uso de combustible que se mezcló incorrectamente puede dañar gravemente el motor.
--	---

Mezcle completamente la proporción adecuada de gasolina sin plomo con el aceite para motor de 2 ciclos. No los mezcle directamente en el depósito de combustible de la unidad. Use una lata de combustible separada. Utilice una proporción de 40:1 de gasolina/aceite. Consulte la tabla a continuación para conocer las proporciones específicas para mezclar la gasolina y el aceite.

	
Gasolina sin plomo	Aceite de 2 ciclos
1 galón EE. UU. (3.8 litros)	3.2 onzas líquidas (95 ml)
1 liter	25 ml

PROPORCIÓN DE LA MEZCLA - 40:1

CARGA DE COMBUSTIBLE EN LA UNIDAD

	ADVERTENCIA: La gasolina es extremadamente inflamable. Los vapores encendidos pueden explotar. Detenga siempre el motor y déjelo enfriar antes de llenar el depósito de combustible. No fume mientras llena el depósito. Mantenga las chispas y llamas abiertas a una distancia de la zona.
	ADVERTENCIA: Retire la tapa del combustible lentamente a fin de evitar lesiones ocasionadas por salpicaduras de combustible. Nunca opere la unidad si la tapa del combustible no está bien sujeta en su lugar.
	ADVERTENCIA: Agregue combustible en una zona al aire libre, limpia y bien ventilada. Limpie de inmediato la gasolina que se haya derramado. Evite que se genere una fuente de encendido para el combustible derramado. No arranque el motor hasta que se hayan disipado los vapores del combustible.

1. Ubique la unidad con la tapa del combustible orientada hacia arriba.
2. Extraiga lentamente la tapa de combustible.
3. Ubique el pico del recipiente de combustible dentro del orificio de llenado del depósito de combustible y llene el depósito.

NOTA: No llene en exceso el depósito de combustible.

4. Limpie el combustible que se pueda haber derramado.
5. Vuelva a colocar la tapa del combustible.
6. Mueva la unidad al menos 30 pies (9.1m) del recipiente de combustible y del sitio de carga de combustible antes de arrancar el motor.

ARRANQUE Y PARADA



ADVERTENCIA: Opere esta unidad únicamente en una zona bien ventilada, al aire libre. Los humos de escape de monóxido de carbono pueden ser mortales en un lugar cerrado.



ADVERTENCIA: Se debe evitar arrancar accidentalmente la unidad. A fin de evitar que se produzcan lesiones graves, el operador y la unidad deben estar en una posición estable cuando se jala la cuerda de arranque (Fig. 20).

INSTRUCCIONES DE ARRANQUE

NOTA: Para evitar apretar el control del acelerador accidentalmente, esta unidad tiene un bloqueo del acelerador. El control del acelerador no se puede apretar a menos que también se active el bloqueo del acelerador.

NOTA: No es necesario encender la unidad. El interruptor de encendido/apagado está en la posición **Encendido (I)** en todo momento (Fig. 18).

Antes de hacer arrancar la unidad

1. Mezcle gasolina con aceite. Consulte las *Instrucciones para la mezcla de aceite y combustible*.
2. Cargue el depósito de combustible. Consulte *Carga de combustible en la unidad*.
3. Pase la correa de hombro sobre la cabeza del operador y sobre el hombro izquierdo (Fig. 20).

Arranque de la unidad

NOTA: NO apriete el control del acelerador (Fig. 18) hasta el paso 6.

1. Presione y luego suelte el bulbo del cebador lentamente **10 veces** (Fig. 19).
2. De vuelta la palanca del cebador en el sentido de las agujas del reloj hasta que encaje bien en su lugar (Fig. 19).
3. Agacharse en la posición de arranque (Fig. 20).
4. Tire de la cuerda de arranque con un movimiento controlado y firme hasta que arranque la unidad (Fig. 20).
5. Funcione en vacío el motor durante 30 segundos.
6. Oprima y mantenga apretado el bloqueo del acelerador (Fig. 18). Apriete el control del acelerador según sea necesario para el funcionamiento (Fig. 18).

SI... el motor no arranca luego de tirar de la cuerda del arranque 10 veces, repita el procedimiento de arranque.

SI... el motor ya está caliente: Oprima y mantenga el bloqueo de acelerador. Apriete y mantenga apretado el control del acelerador. Tire de la cuerda de arranque con un movimiento controlado y firme hasta que arranque la unidad.

Después de poner en marcha la unidad

1. Calce el pasador a presión de la correa de hombro sobre la correa de hombro/presilla de enganche del arnés. Ajuste la correa de hombro para adecuarla al operador. Consulte *Montaje y uso de la correa de hombro*.

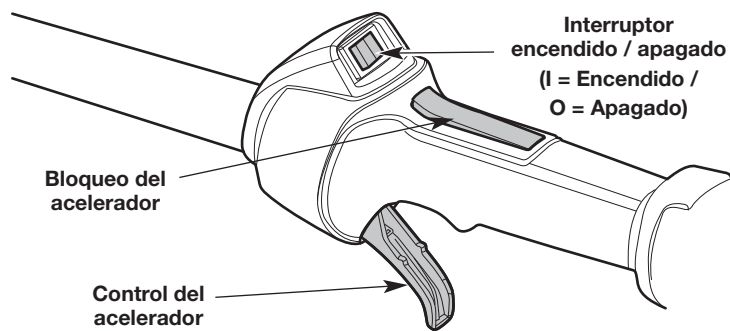


Fig. 18

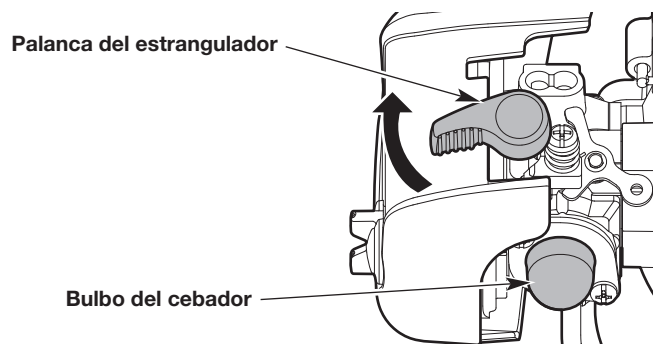


Fig. 19



Fig. 20

INSTRUCCIONES DE PARADA

1. Suelte el control del acelerador y deje que el motor funcione en ralentí.
2. Oprima y mantenga apretado el interruptor de encendido/apagado en la posición **Apagado (O)** hasta que el motor se pare por completo (Fig. 18).

CÓMO SOSTENER LA UNIDAD



ADVERTENCIA: Utilice siempre una adecuada protección ocular, auditiva, de manos, pies y corporal para reducir el riesgo de sufrir lesiones durante la operación de esta unidad. Use casco protector. De ser necesario, use un protector facial completo. Consulte la sección *Seguridad* para información apropiada del equipamiento de seguridad.



ADVERTENCIA: A fin de evitar lesiones personales graves, evite el contacto del brazo con el motor mientras opere la unidad. El motor puede estar muy caliente.

- Párese en la posición de arranque (Fig. 21). Párese derecho. No se incline sobre el aparato.
- Mantenga los pies alejados y apoyados firmemente sobre el suelo.
- Sujete la empuñadura del eje con la mano derecha. Mantenga el brazo derecho ligeramente doblado.
- Sostenga la manija con la mano izquierda. Mantenga el brazo izquierdo bien derecho.
- Mantenga la unidad al nivel de la cintura.
- Posicione el cabezal de corte / la cuchilla algunos pulgadas sobre el suelo.

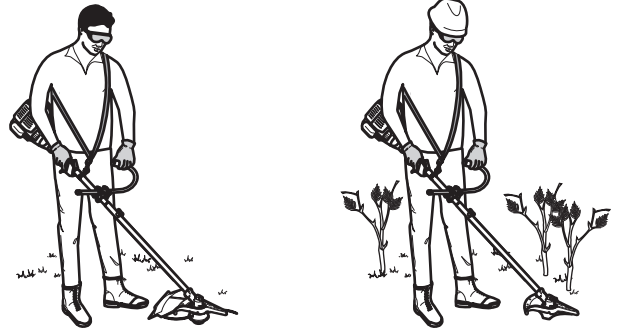


Fig. 21

RECOMENDACIONES PARA MEJORES RESULTADOS (COMO CORTAMALEZAS)



ADVERTENCIA: Para evitar lesiones graves al operador u otros, no use la cuchilla como un recortador de bordes.

- Mantenga la cuchilla paralela al suelo.
- Haga el corte siempre con la unidad funcionando a plena velocidad. Esto ofrece máxima potencia de corte y hace que la cuchilla sea menos propensa que doblarse, atascarse u ocurrir un empuje de la cuchilla.



ADVERTENCIA: Se puede producir un empuje de la cuchilla cuando entra en contacto con un objeto si no lo corta de inmediato. El empuje de la cuchilla puede ser lo suficientemente violento para ocasionar que la unidad y/o el operador sean lanzados en cualquier dirección, y que posiblemente se pierda el control de la unidad. El empuje de la cuchilla puede producirse sin aviso si la cuchilla se desbasta, se atasca o se dobla. Esto es más probable que en áreas en las que es difícil ver el material que se está cortando.

- Para dirigir los recortes lejos del operador, corte de izquierda a derecha siempre que sea posible.
- Siempre suelte el control del regulador y deje que la unidad trabaje en vacío cuando no esté cortando.
- Cuando termine el trabajo, desenganche siempre la bandolera de la unidad, antes de quitársela.
- No use nunca una cuchilla desafilada. Si la cuchilla se desafilada, consulte *Mantenimiento de la cuchilla* en la sección *Mantenimiento*.



ADVERTENCIA: La cuchilla seguirá girando durante un rato luego de apagar el motor. Para evitar lesiones personales graves, no toque la cuchilla mientras esté girando por inercia.



ADVERTENCIA: Para evitar lesiones personales graves, apague siempre la unidad antes de retirar los desechos de la misma. Deje que la cuchilla se detenga por completo.

AJUSTAR LA LONGITUD DE LA LÍNEA DE CORTE

Esta unidad está equipada con un cabezal de impacto. La línea de corte puede salir del cabezal de corte sin necesidad de detener el motor.


Para soltar más línea cuando opera la unidad a alta velocidad, golpee ligeramente la perilla percusiva contra el suelo (Fig. 22). Para obtener mejores resultados, golpee la perilla percusiva sobre terreno limpio o suelo duro. Intentar soltar línea en césped alto podría ahogar el motor.

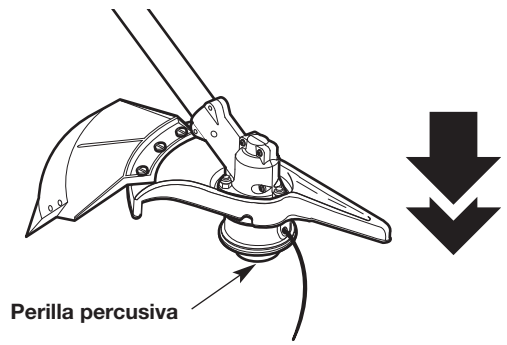
NOTA: No apoye el cabezal de corte en el piso cuando la unidad esté funcionando.

Cada vez que se golpea la perilla percusiva, se suelta alrededor de 1 pulgada (25.4 mm) de línea de corte.

NOTA: Mantenga siempre la línea de corte completamente extendida. Resulta más difícil soltar línea al acortarse la línea de corte.

Una cuchilla en el protector del cabezal de corte cortará la línea a la longitud correcta si se suelta demasiada línea.

	<p>ADVERTENCIA: No quite ni altere el conjunto de la cuchilla de corte de la línea. Una línea demasiado larga hará que el motor se recaliente. Esto puede provocar graves lesiones personales o dañar la unidad.</p>
--	---



Perilla percusiva

Fig. 22

CONSEJOS PARA OBTENER LOS MEJORES RESULTADOS (COMO RECORTADORA)

- Para la mayoría de las operaciones, realice cortes de lado a lado.
- Para alejar los recortes del operador, incline levemente el cabezal de corte hacia abajo a la derecha, corte de izquierda a derecha siempre que sea posible.
- Corte el pasto alto (de más de 20 cm [8 in]) de arriba hacia abajo bajando el cabezal de corte hacia el pasto.
- Corte con la punta del hilo de recorte.
- Corte en pequeños incrementos. Muévase lentamente. No exija demasiado a la unidad.
- No recorte césped o malezas que estén húmedos.

NOTA: El hilo puede romperse:

- Si se enreda con objetos extraños
- Por la fatiga normal del hilo
- Si se intenta cortar plantas gruesas
- Si se empuja el hilo contra objetos como paredes o cercas

RECORTE DECORATIVO (COMO RECORTADORA)

Cuando recorte alrededor de árboles, postes, vallas, etc., rote toda la unidad de manera que el cabezal de corte quede en un ángulo de 30° en relación con el suelo (Fig. 23).

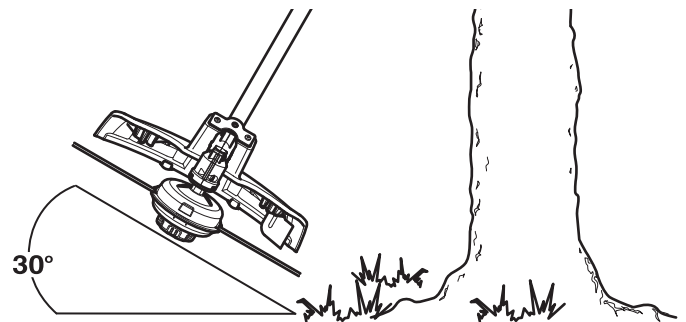


Fig. 23

BORDEADO (COMO RECORTADORA)

El accesorio de la recortadora puede ser utilizado para el bordeado (Fig. 24). De manera alternativa, también se pueden comprar un accesorio de bordeadora de césped con cuchillas para utilizar con esta unidad.

Rotación del accesorio de la recortadora



ADVERTENCIA: A fin de evitar lesiones personales graves y daños a la unidad, apague la unidad antes de rotar el accesorio.

Cuando bordee alrededor de aceras, canteros, etc., rote el accesorio de la recortadora 90° dentro del acoplador. **NO** rote toda la unidad 90°.

1. Gire la perilla en el sentido contrario a las agujas del reloj para aflojar el acoplador (Fig. 25).
2. Oprima y mantenga apretado el botón de liberación (Fig. 25).
3. Rote el accesorio hasta que el botón de liberación entre a presión firmemente dentro del orificio de rebordes de 90° (Fig. 25).
4. Gire la perilla en el sentido de las agujas del reloj para apretar el acoplador (Fig. 25).



ADVERTENCIA: Solamente coloque a presión el botón de liberación dentro del orificio de rebordes de 90° cuando esté rebordeando con el accesorio de recorte. Si se utiliza este orificio de rebordes de 90° con otros accesorios, se podrían producir lesiones personales o daños a la unidad.

Mantenimiento del hilo de recorte

Las superficies duras, tales como aceras pueden hacer que el hilo de recorte se desgaste rápidamente o se corte.

- Verifique con frecuencia y ajuste la longitud del hilo de recorte. Consulte la sección *Ajuste de longitud de hilo de recorte*. Siempre debe mantener el hilo de recorte completamente extendido.
- **NO** fuerce la unidad. Realice cortes poco profundos en tantas pasadas como sea necesario para lograr la profundidad deseada. Corte a un ritmo lento, uniforme.



Fig. 24

Botón de liberación

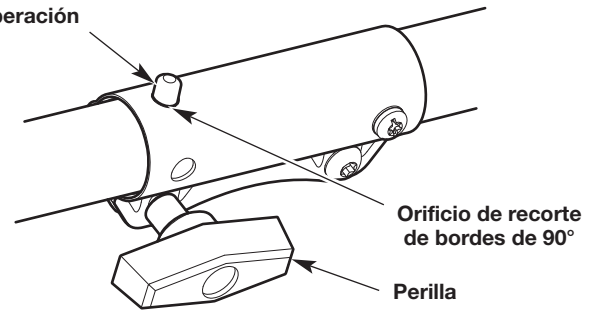


Fig. 25

MANTENIMIENTO



ADVERTENCIA: A fin de evitar lesiones personales graves, siempre pare el motor y deje que se enfríe antes de limpiar o mantener la unidad. No realice ninguna tarea de limpieza o mantenimiento mientras la unidad esté en funcionamiento. Desconecte el cable de la bujía para evitar que la unidad arranque accidentalmente.



ADVERTENCIA: Utilice vestimenta de protección y respete todas las instrucciones de seguridad para evitar que se produzcan lesiones personales graves.

PLAN DE MANTENIMIENTO

Lleve a cabo los procedimientos necesarios de mantenimiento con la frecuencia indicada en la tabla. Estos procedimientos deberán también formar parte de cualquier ajuste de temporada.

NOTA: Es posible que algunos procedimientos de mantenimiento requieran herramientas o habilidades especiales. Si no está seguro acerca de estos procedimientos, lleve la unidad a un distribuidor de servicio autorizado. Para más información, llame al **1-888-331-4569**.

NOTA: Los trabajos de mantenimiento, reemplazo o reparación de los dispositivos y los sistemas de control de emisiones puede realizarlos un distribuidor de servicio autorizado. Para más información, llame al **1-888-331-4569**.

NOTA: Para ver la lista completa de términos y la cobertura de los dispositivos de control de emisiones como parachispas, silenciador, carburador, etc., lea la declaración de California/EPA que viene junto con la unidad.

FRECUENCIA	MANTENIMIENTO REQUERIDA
Cada 10 horas	<ul style="list-style-type: none"> • Limpie y vuelva a lubricar el filtro de aire. Consulte <i>Mantenimiento del filtro de aire</i>.
Cada 25 horas	<ul style="list-style-type: none"> • Controle el estado y la separación de la bujía de encendido. Consulte <i>Mantenimiento de la bujía de encendido</i>.

REEMPLAZO DEL HILO DE RECORTE

Use únicamente el hilo de recorte que se describe en la sección *Especificaciones*. Otros tipos de hilo de recorte pueden causar el recalentamiento o la falla de la unidad.



ADVERTENCIA: Nunca use un hilo, un cable, una cadena o una cuerda de metal reforzados. Podrían separarse y convertirse en proyectiles peligrosos.

NOTA: Utilice siempre la longitud de hilo correcta al instalar el hilo de recorte. Es posible que el hilo no se suelte adecuadamente si está demasiado largo.

Parte 1 – Extracción del carretel interior

1. Mantenga el cabezal de corte en su lugar (Fig. 26). Gire la perilla de impacto en el sentido de las agujas del reloj para desenroscarla del cabezal de corte (Fig. 26).

NOTA: La bobina exterior (Fig. 27) permanecerá conectada a la unidad.

2. Inspeccione el perno que está dentro de la perilla de impacto para comprobar que se mueva libremente (Fig. 26). Reemplace la perilla de impacto si está dañada.
3. Retire el carretel interior de la bobina exterior (Fig. 27).
4. Retire el resorte del carretel interior (Fig. 27).
5. Use un paño limpio para limpiar el carretel interior, el resorte, el mandril y la superficie interior de la bobina exterior.
6. Controle los dientes de posición y las ranuras de retención para detectar si están desgastados (Fig. 28). Si es necesario, elimine las rebabas o reemplace el carretel interior y la bobina exterior.

Prosiga con *Parte 2 - Enrollado del hilo de recorte nuevo en el carretel interior*.

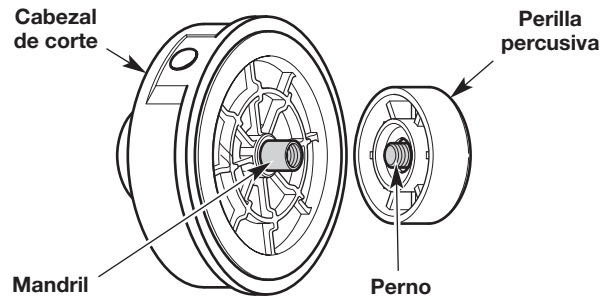


Fig. 26

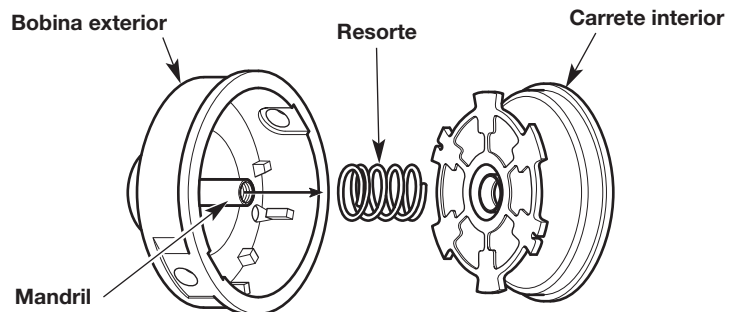


Fig. 27

Parte 2 - Enrollado del hilo de recorte nuevo en el carrete interior

- Si se utiliza un hilo simple, consulte *Enrollado de hilo simple*.
- Si se utiliza Split-Line, consulte *Enrollado de Split-Line*.
- Si se utiliza un carrete de hilo preenrollado, prosiga a la *Parte 3 - Instalación del carrete interior*.

Enrollado del hilo simple

1. Corte un largo de 18 pies (5.5 m) de hilo de recorte simple nuevo. Doble el hilo a la mitad para crear un lazo en el medio.
2. Inserte los dos extremos del hilo a través de los dos orificios del carrete interior (Fig. 29). Tire del hilo a través del carrete interior de manera que el lazo sea lo más pequeño posible (Fig. 29). Asegúrese de que los extremos del hilo sean de igual longitud.
3. Enrolle el hilo ajustado en el sentido que se indica en la parte inferior del carrete interior hasta que queden aproximadamente 6 pulgadas (150 mm) de hilo. Coloque su dedo índice entre los dos hilos para evitar que los mismos se traslapen.

NOTA: Si no se enrolla el hilo en el sentido que se indica, el cabezal de corte funciona de manera incorrecta.

4. Inserte las dos extremos de 6 pulgadas dentro de las dos ranuras de sujeción (Fig. 30).

Prosiga con la *Parte 3 - Instalación del carrete interior*.

Enrollado de Split-Line

1. Corte un largo de 9 pies (2.3 m) de hilo de recorte Split-Line.
2. Inserte un extremo del hilo a través de uno de los dos orificios del carrete interno. Tire del hilo a través del carrete interior hasta que queden aproximadamente 4 pulgadas (10 cm) (Fig. 31).
3. Inserte el extremo de la sección de 4 pulgadas dentro del orificio abierto del carrete interior y tire del hilo ajustando para que el lazo sea lo más pequeño posible (Fig. 31).
4. Separe el otro extremo del hilo aproximadamente 6 pulgadas (150 mm).
5. Enrolle el hilo ajustado en capas parejas en la dirección que se indica en el carrete interior.

NOTA: Si no se enrolla el hilo en el sentido que se indica, el cabezal de corte funciona de manera incorrecta.

6. Inserte las dos extremos de 6 pulgadas dentro de las dos ranuras de sujeción (Fig. 30).

Prosiga con la *Parte 3 - Instalación del carrete interior*.

Parte 3 - Instalación del carrete interior

1. Pase los extremos de los hilos a través de los ojales de la bobina exterior (Fig. 32).
2. Coloque el resorte dentro del carrete interior (Fig. 32).
3. Inserte el carrete interior dentro de la bobina exterior (Fig. 32). Oprima el carrete interior y la bobina exterior uno contra otro.
4. Mientras sujeta el carrete interior y la bobina exterior juntos, tire firmemente de los dos extremos del hilo para soltarlos de las ranuras de retención.
5. Mientras sujeta el carrete interior y la bobina exterior juntos, enrosque la perilla de impacto en sentido contrario a las agujas del reloj (Fig. 26). Ajuste firmemente la perilla de impacto.

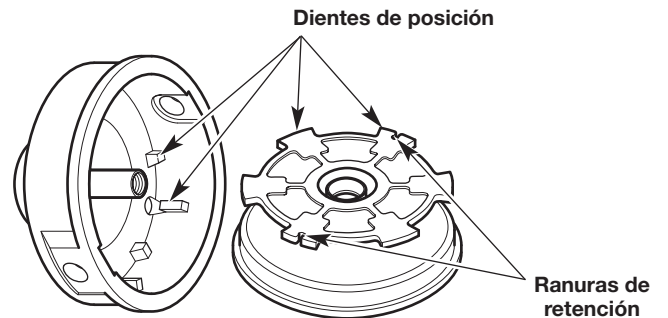


Fig. 28

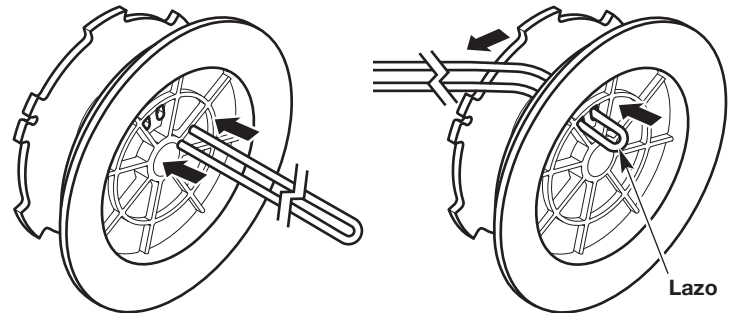


Fig. 29

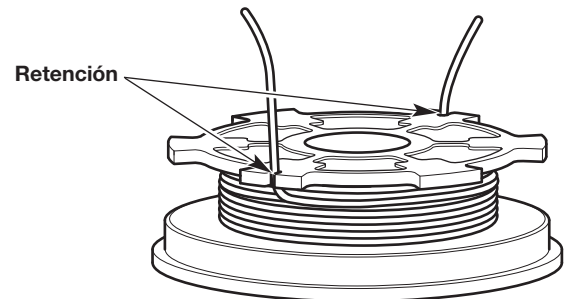


Fig. 30

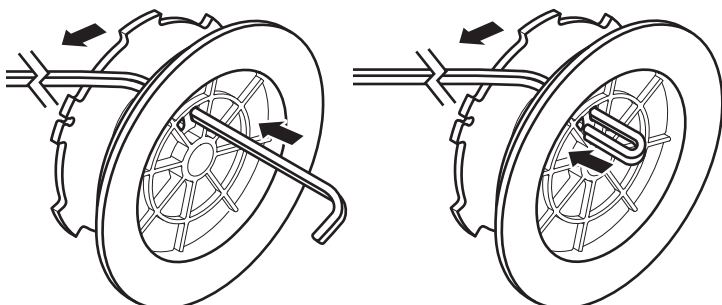


Fig. 31

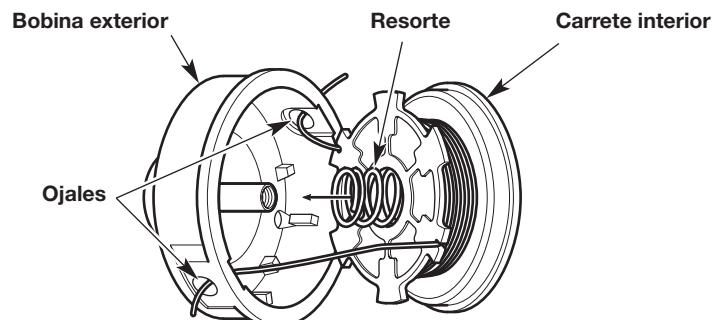


Fig. 32

MANTENIMIENTO DE LA CUCHILLA



ADVERTENCIA: No afile la cuchilla. Afilar la cuchilla puede hacer que la punta de la cuchilla se rompa mientras se usa. Esto puede provocar lesiones personales graves.

La cuchilla tiene un segundo borde de corte. Si la cuchilla se queda sin filo, retírela, voltéela boca abajo y reinstálela. Si ambos lados se quedan sin filo, reemplace la cuchilla. Consulte *Extracción de la cuchilla e Instalación de la cuchilla* en la sección *Montaje*.

MANTENIMIENTO DEL FILTRO DE AIRE

Si no se mantiene el filtro de aire se puede obtener un rendimiento insuficiente o se puede dañar el motor de manera permanente. Las averías del motor ocasionadas por un mantenimiento inadecuado del filtro de aire no están cubiertas por la garantía del producto.

Limpieza del filtro de aire

1. Abra la tapa del filtro de aire para lo cual debe aflojar el tornillo de la tapa (Fig. 33).
2. Extraiga el filtro de aire de su alojamiento (Fig. 33).
3. Lave el filtro de aire con agua y detergente. Enjuague minuciosamente el filtro de aire y déjelo secar.
4. Cubra el filtro de aire con una capa ligera de aceite SAE 30 limpio.
5. Apriete el filtro de aire para distribuir y eliminar el exceso de aceite.
6. Vuelva a instalar el filtro de aire en su alojamiento (Fig. 33).

NOTA: Si se opera la unidad sin el filtro de aire y sin la cubierta del filtro de aire se ANULARÁ la garantía.

7. Inserte los ganchos del alojamiento del filtro de aire dentro de las ranuras de la tapa del filtro de aire (Fig. 34).
8. Debe girar la tapa del filtro de aire hacia la derecha y alinear el tornillo de la cubierta con el orificio destinado a dicho tornillo (Fig. 34). Apriete el tornillo de la tapa para sujetar dicha tapa.

NOTA: No ajuste en exceso ya que esto puede arruinar la rosca del tornillo.

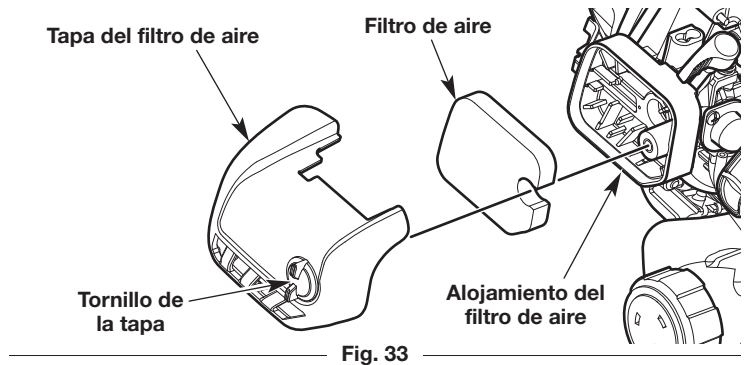


Fig. 33

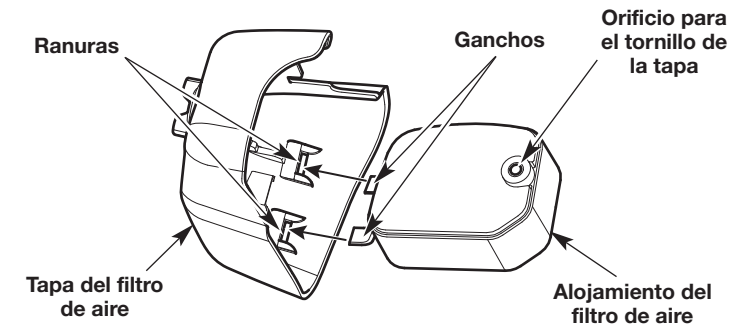


Fig. 34

AJUSTE DE LA VELOCIDAD DE RALENTÍ



ADVERTENCIA: El cabezal de corte puede girar durante los ajustes de la velocidad de ralentí. Utilice vestimenta de protección y respete todas las instrucciones de seguridad para evitar que se produzcan lesiones personales graves.

Si el motor no funciona al ralentí correctamente:

1. Arranque el motor. Consulte *Arranque y Parada*.
2. Suelte el control del acelerador y deje que el motor funcione en ralentí.

NOTA: Asegúrese de que la palanca del cebador **NO** esté colocada mientras se ajusta la velocidad de ralentí.

- Si el motor se para, aumente la velocidad de ralentí. Use un destornillador Phillips pequeño para girar el tornillo de velocidad de ralentí en el sentido de las agujas del reloj, 1/8 de giro cada vez hasta que el motor funciona al ralentí de manera uniforme (Fig. 35).
- Si el cabezal de corte gira cuando el motor funciona al ralentí, reduzca la velocidad de ralentí. Gire el tornillo de velocidad de ralentí en el sentido contrario de las agujas del reloj, 1/8 de giro cada vez, hasta que se detenga el cabezal de corte (Fig. 35).

Tornillo de velocidad de ralentí

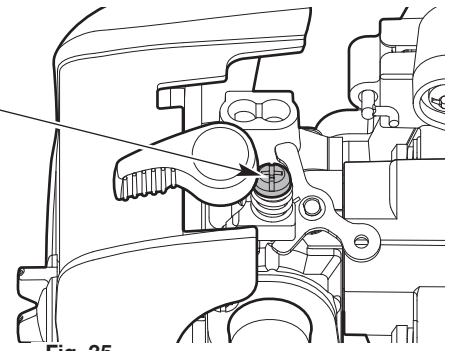


Fig. 35

MANTENIMIENTO DE LA BUJÍA

1. Detenga el motor y deje que se enfríe. Sujete con firmeza la funda de la bujía y tire para sacarla de la bujía.
2. Limpie alrededor de la bujía. Retire la bujía de la tapa del cilindro con una llave de cubo de 5/8 pulgadas, girando en sentido contrario a las agujas del reloj.



ADVERTENCIA: No limpie de forma abrasiva ni raspe o limpie los electrodos de las bujías. La presencia de polvo abrasivo en el motor podría dañar el cilindro.

3. Inspeccione la bujía. Si la bujía está agrietada, averiada o sucia, reemplácela por una pieza de reemplazo n.º **753-06847**, una **Champion RDJ7J** o una bujía equivalente.
4. Use un calibrador de separación para ajustar una separación de aire de **0.025 pulgadas (0.635 mm)** (Fig. 36).
5. Instale la bujía dentro de la tapa del cilindro. Apriete la bujía con una llave de cubo de 5/8 pulgadas, girando en el sentido de las agujas del reloj hasta que quede ajustada.

NOTA: Si se usa una llave de par, apriete hasta:

110-120 pulgada•libra (12.3-13.5 N•m). No ajuste demasiado.

6. Vuelva a colocar la funda de la bujía.

0.025 pulgadas
(0.635 mm)

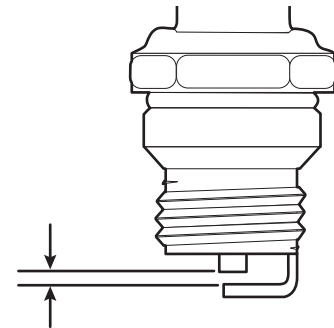


Fig. 36

LIMPIEZA



ADVERTENCIA: A fin de evitar lesiones personales graves, siempre pare el motor y deje que se enfríe antes de limpiar o mantener la unidad.

Use un cepillo pequeño para limpiar el exterior de la unidad. No utilice detergentes fuertes. Los productos de limpieza para el hogar que contienen aceites aromáticos como pino y limón, y los disolventes como el queroseno, pueden dañar el plástico. Limpie todo rastro de humedad con una tela suave.

Limpie la cuchilla de la desbrozadora con un limpiador doméstico para retirar el adhesivo acumulado. Pásele un paño con aceite liviano de máquina para evitar que se oxide.

ALMACENAMIENTO

- Nunca almacene la unidad con combustible en lugares donde las emanaciones pueden alcanzar llamas abiertas o chispas.
- Deje que se enfríe el motor antes de almacenar la unidad.
- Trabe la unidad para evitar que se la utilice sin permiso o que se provoquen daños.
- Almacene la unidad en una zona seca y bien ventilada.
- Almacene la unidad lejos del alcance de los niños.
- Para suspender el accesorio de un gancho, instale la tapa de suspensión sobre el accesorio. Asegúrese de que el botón de liberación esté firmemente trabado dentro de uno de los orificios de la tapa de suspensión.

Almacenamiento a corto plazo (1-2 semanas)

1. Almacene la unidad en posición horizontal. Si esto no es posible, almacene la unidad de manera vertical con el motor arriba.

Almacenamiento a largo plazo

1. Retire la tapa de combustible, incline la unidad y drene el combustible en un recipiente aprobado. Vuelva a colocar la tapa del combustible.
2. Arranque el motor y déjelo correr hasta que se detenga. Esto asegura que todo el combustible se haya drenado del carburador.
3. Deje que el motor se enfríe. Quítele la bujía y eche 5 gotas de cualquier aceite de motor de 2 tiempos de alta calidad en el cilindro. Jale la cuerda de arranque para distribuir el aceite. Coloque nuevamente la bujía.
4. Limpie minuciosamente la unidad e inspeccione si hay alguna pieza suelta o dañada. Repare o reemplace las piezas dañadas y ajuste los tornillos, tuercas o pernos que estén flojos.

Preparación de la unidad para su uso luego del almacenamiento a largo plazo

1. Retire la bujía de encendido. Incline la unidad para drenar todo el aceite del cilindro en un recipiente adecuado. Coloque nuevamente la bujía.

NOTA: No use combustible que haya estado guardado durante más de 30 días. Deseche el combustible viejo y aceite de acuerdo con las normativas federales, estatales y locales.

SOLUCIÓN DE PROBLEMAS

PROBLEMA	SOLUCIÓN
EL MOTOR NO ARRANCA	
El tanque de combustible está vacío	Llene el tanque de combustible con la mezcla adecuada
La pera del cebador no se oprimió lo suficiente	Oprima la pera del cebador 10 veces
El motor está rebosado	Oprima el bloqueo del acelerador, apriete el control del acelerador y tire de la cuerda de arranque hasta que arranque el motor
El combustible está viejo (tiene más de 30 días) y/o mal mezclado	Vacíe el tanque de combustible y eche combustible nuevo bien mezclado
La bujía está corroída	Reemplace la bujía
La palanca del cebador no fue dada vuelta	Consulte <i>Instrucciones de arranque</i> en la sección <i>Arranque y parada</i>
EL MOTOR NO TRABAJA EN VACÍO	
El filtro de aire está sucio	Limpie o cambie el filtro de aire
El combustible está viejo (tiene más de 30 días) y/o mal mezclado	Vacíe el tanque de combustible y eche combustible nuevo bien mezclado
La marcha en vacío no es la correcta	Ajuste la velocidad de marcha en vacío
EL MOTOR NO ACELERA	
El combustible está viejo (tiene más de 30 días) y/o mal mezclado	Vacíe el tanque de combustible y eche combustible nuevo bien mezclado
El cabezal de corte está atascado de hierba	Apague el motor y limpie el cabezal de corte
El filtro de aire está sucio	Limpie o cambie el filtro de aire
AL MOTOR LE FALTA POTENCIA O SE PARA	
El combustible está viejo (tiene más de 30 días) y/o mal mezclado	Vacíe el tanque de combustible y eche combustible nuevo bien mezclado
El filtro de aire está sucio	Limpie o cambie el filtro de aire
La bujía está corroída	Reemplace la bujía
EL CABEZAL DE CORTE NO HACE AVANZAR EL HILO	
El cabezal de corte tiene césped atascado	Pare el motor y limpie el cabezal de corte
El cabezal de corte está desalineado	Recargue hilo nuevo en el cabezal de corte
El carretel interior se traba	Rebobine el hilo
El cabezal de corte está sucio	Limpie el carrete interior y la bobina exterior
El hilo está soldado	Abra el cabezal de corte y extraiga la sección que se haya soldado
El hilo está torcido	Rebobine el hilo
No se extiende hilo suficiente	Pare la unidad, oprima la perilla de impacto y tire del hilo hasta que salgan 4 pulgadas (102 mm) fuera del cabezal de corte
EL HILO DE CORTE AVANZA SIN CONTROL	
Hay aceite, producto de limpieza o lubricante en el cabezal de corte	Limpie y seque completamente el cabezal de corte

Si necesita asistencia adicional, comuníquese con un centro de servicio autorizado.

GARANTÍA

MTD LLC

GARANTÍA LIMITADA PARA EL PRODUCTO DE MANO DE MARCA CRAFTSMAN®

Garantía Limitada

La garantía limitada establecida en este documento es otorgada por MTD LLC al Comprador Inicial (como se define aquí) con respecto al nuevo producto manual de marca Craftsman ("Producto"). La presente garantía limitada no cubre los Sistemas de control de emisiones y no constituye una Declaración de garantía del control de las emisiones federal según lo definido por las leyes federales de los Estados Unidos. Consulte la Declaración de garantía de control de emisiones federal que se incluye en el manual del operador para conocer las garantías que cubren los Sistemas de control de emisiones.

Alcance de la Garantía Limitada

MTD LLC ofrece una garantía limitada al Comprador inicial para uso residencial o para uso no comercial del Producto: sujeto a las Exclusiones definidas aquí, durante el Período de Garantía (definido aquí). El "Comprador inicial" es la primera persona en comprar este Producto de un concesionario, distribuidor y/o vendedor minorista autorizado de productos de marca Craftsman (cada uno denominado "Vendedor minorista"). Excepto que se disponga lo contrario en el presente documento, el período de la garantía limitada para este nuevo Producto adquirido por el Comprador inicial es de **dos (2) años** a partir de la fecha de compra, como se indica en el comprobante de venta original correspondiente al Producto ("Período de la Garantía").

Defectos de Mano de Obra o Materiales

Excepto por las Exclusiones, se garantiza que el Producto estará libre de defectos de fabricación en la mano de obra o los materiales durante el Período de la Garantía. Durante el Período de Garantía, MTD LLC tendrá la opción de reparar o reemplazar cualquier pieza original que esté cubierta por esta garantía limitada y que se determine que presenta un defecto de mano de obra o materiales.

Para Tener Derecho a esta Garantía Limitada, el Producto:

1. Debe haber sido comprado a un vendedor minorista autorizado de la marca Craftsman.
2. Debe haber sido adquirido por el Comprador Inicial dentro de los Estados Unidos.
3. Debe haberse usado únicamente para fines residenciales u otro tipo de uso no comercial.
4. Debe haber sido utilizado de una manera consistente con el uso normal y adecuado.

¿Quiénes Pueden Efectuar Reparaciones Bajo esta Garantía?

Para poder calificar para la garantía limitada aquí establecida, las reparaciones hechas bajo esta garantía deben ser realizadas por un proveedor de servicios de garantía autorizado.

Cómo Obtener Servicios Bajo esta Garantía Limitada

Para localizar un proveedor de servicio de garantía autorizado, póngase en contacto con su vendedor minorista autorizado o contáctese con www.craftsman.com/warranty, o llame gratis al 888-331-4569. PARA UN SERVICIO DE GARANTÍA NECESITARÁ PRESENTAR UNA COPIA DE SU FACTURA DE VENTA.

Lo que NO Cubre esta Garantía Limitada

Esta Garantía Limitada No Cubre lo Siguiendo (las "Exclusiones"):

1. Los productos adquiridos fuera de los Estados Unidos.
2. Los daños producidos por la falta de mantenimiento y/o un mantenimiento inadecuado, según se describe en el manual del operador.
3. El desgaste normal resultante de usar el Producto.
4. El uso del Producto de manera no acorde al uso previsto para el mismo, como se describe en las instrucciones operativas, incluyendo, sin limitación, abuso, uso indebido y/o descuido del Producto o todo uso que no se compadezca y/o no cumpla con las instrucciones que figuran en el manual del operador.
5. Cualquier artículo fungible, consumible o de mantenimiento rutinario que requiera reemplazo o servicio como parte del mantenimiento normal, a menos que dichos artículos tengan defectos que causen fallas o desgaste prematuro dentro de los primeros treinta (30) días. Donde corresponda, los artículos de uso normal incluyen, entre otros, perillas, carretes externos, línea de corte, carretes interiores, poleas de arranque, cuerdas de arranque, correas de transmisión, cadenas de sierra, barras de guía, púas de cultivo, filtros, bujías, estuches de transporte, fundas o cuchillas.
6. Todo Producto que haya sido alterado o modificado de alguna manera que no se compadezca con el diseño original del producto o de alguna manera no aprobada.
7. Las reparaciones en concepto de pintura o los reemplazos por defectos en la pintura (que incluyen los materiales y la aplicación) están cubiertos por un período de tres (3) meses.

Esta Garantía No Cubre, y MTD LLC No Asume Ninguna Responsabilidad por lo Siguiendo:

1. Pérdida de tiempo o pérdida de uso del Producto.
2. Gastos de transporte y otros gastos incurridos en relación con el transporte del Producto hacia y desde el proveedor de servicios autorizado.
3. Cualquier pérdida o daño a otros equipos o elementos personales.
4. Daño resultante de la instalación o el uso de cualquier accesorio o pieza que no sea del OEM (fabricante de equipo original) para utilizar con el Producto.

Limitaciones:

1. NO HAY NINGUNA GARANTÍA, INCLUYENDO, SIN LIMITACIÓN, NINGUNA GARANTÍA TÁCITA DE COMERCIABILIDAD O APTITUD PARA UN DETERMINADO USO. PASADO EL PERÍODO DE GARANTÍA NO SE APLICARÁ NINGUNA GARANTÍA SEGÚN LO ESTABLECIDO PRECEDENTEMENTE RESPECTO DE LAS PIEZAS YA IDENTIFICADAS. NINGUNA OTRA GARANTÍA EXPRESA, SEA ESCRITA O VERBAL, A EXCEPCIÓN DE LA ARRIBA INDICADA, OTORGADA POR UNA PERSONA FÍSICA O JURÍDICA, INCLUYENDO UN CONCESIONARIO O COMERCIANTES, CON RESPECTO ALGÚN PRODUCTO SERÁ VINCULANTE PARA MTD LLC. DURANTE EL PERÍODO DE GARANTÍA, EL RECURSO EXCLUSIVO ES LA REPARACIÓN O LA SUSTITUCIÓN DE LA PIEZA DEFECTUOSA, SEGÚN LO ESTABLECIDO ANTERIORMENTE. (ALGUNOS ESTADOS NO PERMITEN LIMITACIONES SOBRE EL TIEMPO DE DURACIÓN DE UNA GARANTÍA TÁCITA, POR LO QUE LA LIMITACIÓN ANTERIOR PODRÍA NO APLICARLE A USTED.)
2. LAS DISPOSICIONES ESTABLECIDAS EN EL PRESENTE DOCUMENTO PREVÉN EL ÚNICO Y EXCLUSIVO RECURSO QUE SURGE DE LA VENTA. MTD LLC NO SERÁ RESPONSABLE POR DAÑOS O PÉRDIDAS INCIDENTALES O INDIRECTAS INCLUYENDO, SIN LIMITACIÓN, POR GASTOS DE TRANSPORTE O GASTOS SIMILARES O POR GASTOS DE ALQUILER PARA REEMPLAZAR PROVISORIAMENTE UN PRODUCTO GARANTIZADO. (ALGUNOS ESTADOS NO PERMITEN LA EXCLUSIÓN O LA LIMITACIÓN DE DAÑOS INCIDENTALES O CONSECUENTES, POR LO QUE QUE ES POSIBLE QUE LA EXCLUSIÓN O LIMITACIÓN ANTERIOR NO SE APLIQUE EN SU CASO).
3. En ningún caso el reembolso será superior al precio de compra del Producto vendido. La alteración de los elementos de seguridad del Producto anulará esta garantía limitada. Usted asume el riesgo y la responsabilidad por pérdidas, daños o lesiones personales y materiales tanto suyos como de terceros como consecuencia del uso o uso indebido o imposibilidad de usar este Producto.

Leyes Estatales y esta Garantía.

Esta garantía limitada le concede derechos legales específicos, y también es posible que tenga otros derechos, que varían de un estado a otro.

CRAFTSMAN®

**TO ORDER REPLACEMENT PARTS
OR SCHEDULE REPAIR SERVICE**

**PARA ORDENAR PIEZAS
O PEDIR SERVICIO DE REPARACIÓN**

1-888-331-4569

CRAFTSMAN®

IS A REGISTERED TRADEMARK OF **STANLEY BLACK & DECKER, INC.**, USED UNDER LICENSE.
ES UNA MARCA REGISTRADA DE **STANLEY BLACK & DECKER, INC.**, UTILIZADA BAJO LICENCIA.

© 2020 CRAFTSMAN

PRODUCT MANUFACTURED BY: / PRODUCTO FABRICADO POR:

MTD LLC

P.O. Box 361131

Cleveland, OH 44136-0019

U.S. & CANADA ONLY • SÓLO EN EE.UU. Y CANADÁ