

OPERATOR'S MANUAL

Rear Tine CRT Tiller

Record Product Information

Before setting up and operating your new equipment, please locate the model plate and record the information in the area provided to the right. The model plate contains the unit's model and serial numbers. This information will be necessary, should you seek technical support via our web site, Customer Support Department, or with a local authorized service dealer.

MODEL NUMBER

| | | | | | | | | | | | |
|--|--|--|--|--|--|--|--|--|--|--|--|
| | | | | | | | | | | | |
|--|--|--|--|--|--|--|--|--|--|--|--|

SERIAL NUMBER

| | | | | | | | | | | | |
|--|--|--|--|--|--|--|--|--|--|--|--|
| | | | | | | | | | | | |
|--|--|--|--|--|--|--|--|--|--|--|--|

Table of Contents

| | | | |
|---------------------------------------|----|--------------------------------|--------------------------------|
| <i>Safe Operation Practices</i> | 2 | <i>Troubleshooting</i> | 12 |
| <i>Assembly & Set-Up</i> | 4 | <i>Español</i> | 13 |
| <i>Controls & Operation</i> | 7 | <i>Replacement Parts</i> | <i>See Separate Supplement</i> |
| <i>Service</i> | 10 | <i>Warranty</i> | <i>See Separate Supplement</i> |

⚠ WARNING

Read and follow all safety rules and instructions in this manual before attempting to operate this machine. Failure to comply with these instructions may result in personal injury.

⚠ WARNING

California Proposition 65

Engine Exhaust, some of its constituents, and certain vehicle components contain or emit chemicals known to the State of California to cause cancer and birth defects.

NOTE: This Operator's Manual covers several models. Features may vary by model. Not all features in this manual are applicable to all models and the model depicted may differ from yours.



SAFE OPERATION PRACTICES

⚠ WARNING

⚠ This symbol points out important safety instructions which, if not followed, could endanger the personal safety and/or property of yourself and others. Read and follow all instructions in this manual before attempting to operate this machine. Failure to comply with these instructions may result in personal injury. When you see this symbol - HEED ITS WARNING!

⚠ DANGER

This machine was built to be operated according to the safe operation practices in this manual. As with any type of power equipment, carelessness or error on the part of the operator can result in serious injury. This machine is capable of amputating hands and feet and throwing debris. Failure to observe the following safety instructions could result in serious injury or death.

Training

1. Read, understand and follow all instructions on the machine and in the manual(s) before attempting to assemble and operate. Keep this manual in a safe place for future and regular reference and for ordering replacement parts.
2. Be familiar with all controls and their proper operation. Know how to stop the machine and disengage it quickly.
3. Never allow children under 14 years of age to operate this machine. Children 14 and over should read and understand the instructions and safe operation practices in this manual and on the machine and be trained and supervised by an adult.
4. Never allow adults to operate this machine without proper instruction.
5. Keep the area of operation clear of all persons, particularly small children and pets. Stop machine if anyone enters the area.

Preparation

1. Thoroughly inspect the area where the equipment is to be used. Remove all stones, sticks, wire and other foreign objects which could be tripped over and cause personal injury.
2. Wear sturdy, rough-soled work shoes and close fitting slacks and shirt. Loose fitting clothes or jewelry can be caught in moving parts. Never operate this machine in bare feet or sandals.
3. Disengage clutch levers and shift (if provided) into neutral ("N") before starting the engine.
4. Never leave this machine unattended with the engine running.
5. Never attempt to make any adjustments while engine is running, except where specifically recommended in the operator's manual.

Safe Handling of Gasoline:

1. To avoid personal injury or property damage use extreme care in handling gasoline. Gasoline is extremely flammable and the vapors are explosive. Serious personal injury can occur when gasoline is spilled on yourself or your clothes which can ignite. Wash your skin and change clothes immediately.
 - Use only an approved gasoline container.
 - Never fill containers inside a vehicle or on a truck or trailer bed with a plastic liner. Always place containers on the ground away from your vehicle before filling.
 - When practical, remove gas-powered equipment from the truck or trailer and refuel it on the ground. If this is not possible, then refuel such equipment on a trailer with a portable container, rather than from a gasoline dispenser nozzle.
 - Keep the nozzle in contact with the rim of the fuel tank or container opening at all times until fueling is complete. Do not use a nozzle lock-open device.
 - Extinguish all cigarettes, cigars, pipes and other sources of ignition.
 - Never fuel machine indoors.
 - Never remove gas cap or add fuel while the engine is hot or running. Allow engine to cool at least five minutes before refueling.
 - Never over fill fuel tank. Fill tank to no more than 1/2 inch below bottom of filler neck to allow space for fuel expansion.
 - Replace gasoline cap and tighten securely.
 - If gasoline is spilled, wipe it off the engine and equipment. Move unit to another area. Wait five minutes before starting the engine.
 - To reduce fire hazards, keep machine free of grass, leaves or other debris build-up. Clean up oil or fuel spillage and remove any fuel soaked debris.
 - Never store the machine or fuel container inside where there is an open flame, spark or pilot light as on a water heater, space heater, furnace, clothes dryer or other gas appliances.

Operation

1. Do not put hands or feet near rotating parts. Contact with the rotating parts can amputate hands and feet.
2. Always wear safety glasses or safety goggles during operation and while performing an adjustment or repair to protect your eyes. Thrown objects which ricochet can cause serious injury to the eyes.
3. For extended use of this product, hearing protection is required.
4. Do not operate machine while under the influence of alcohol or drugs.
5. Never operate this machine without good visibility or light. Always be sure of your footing and keep a firm hold on the handles.

6. Keep bystanders away from the machine while it is in operation. Stop the machine if anyone enters the area.
7. Be careful when tilling in hard ground. The tines may catch in the ground and propel the tiller forward. If this occurs, let go of the handle bars and do not restrain the machine.
8. Exercise extreme caution when operating on or crossing gravel surfaces. Stay alert for hidden hazards or traffic. Do not carry passengers.
9. Never operate the machine at high transport speeds on hard or slippery surfaces.
10. Exercise caution to avoid slipping or falling.
11. Look down and behind and use care when in reverse or pulling machine towards you.
12. Start the engine according to the instructions found in this manual and keep feet well away from the tines at all times.
13. After striking a foreign object, stop the engine, disconnect the spark plug wire and ground against the engine. Thoroughly inspect the machine for any damage. Repair the damage before starting and operating.
14. Disengage all clutch levers (if fitted) and stop engine before you leave the operating position (behind the handles). Wait until the tines come to a complete stop before unclogging the tines or making any adjustments or inspections.
15. Never run an engine indoors or in a poorly ventilated area. Engine exhaust contains carbon monoxide, an odorless and deadly gas.
16. Muffler and engine become hot and can cause a burn. Do not touch.
17. Use caution when tilling near fences, buildings and underground utilities. Rotating tines can cause property damage or personal injury.
18. Do not overload machine capacity by attempting to till soil too deep at too fast of a rate.
19. If the machine should start making an unusual noise or vibration, stop the engine, disconnect the spark plug wire and ground it against the engine. Inspect thoroughly for damage. Repair any damage before starting and operating.
20. Keep all shields, guards and safety devices in place and operating properly.
21. Never pick up or carry machine while the engine is running.
22. Use only attachments and accessories approved by the manufacturer. Failure to do so can result in personal injury.
23. If situations occur which are not covered in this manual, use care and good judgement. Contact Customer Support for assistance and the name of your nearest servicing dealer.

Maintenance & Storage

1. Keep machine, attachments and accessories in safe working order.
2. Allow a machine to cool at least five minutes before storing. Never tamper with safety devices. Check their proper operation regularly.
3. Check bolts and screws for proper tightness at frequent intervals to keep the machine in safe working condition. Also, visually inspect machine for any damage.
4. Before cleaning, repairing or inspecting, stop the engine and make certain the tines and all moving parts have stopped. Disconnect the spark plug wire and ground it against the engine to prevent unintended starting.
5. Do not change the engine governor settings or over-speed the engine. The governor controls the maximum safe operating speed of engine.
6. Maintain or replace safety and instruction labels, as necessary.
7. Follow this manual for safe loading, unloading, transporting and storage of this machine.
8. Always refer to the Operator's Manual for important details if the machine is to be stored for an extended period.
9. If the fuel tank has to be drained, do this outdoors.
10. Observe proper disposal laws and regulations for gas, oil, etc. to protect the environment.
11. According to the Consumer Products Safety Commission (CPSC) and the U.S. Environmental Protection Agency (EPA), this product has an *Average Useful Life* of seven (7) years, or 130 hours of operation. At the end of the *Average Useful Life* have the machine inspected annually by an authorized service dealer to ensure that all mechanical and safety systems are working properly and not worn excessively. Failure to do so can result in accidents, injuries or death.

SAFE OPERATION PRACTICES

Notice Regarding Emissions

Engines which are certified to comply with California and federal EPA emission regulations for SORE (Small Off Road Equipment) are certified to operate on regular unleaded gasoline, and may include the following emission control systems: Engine Modification (EM), Oxidizing Catalyst (OC), Secondary Air Injection (SAI) and Three Way Catalyst (TWC) if so equipped.

Spark Arrestor

WARNING



This machine is equipped with an internal combustion engine and should not be used on or near any unimproved forest-covered, brushcovered or grass-covered land unless the engine's exhaust system is equipped with a spark arrestor meeting applicable local or state laws (if any).

If a spark arrestor is used, it should be maintained in effective working order by the operator. In the State of California the above is required by law (Section 4442 of the California Public Resources Code). Other states may have similar laws. Federal laws apply on federal lands.

A spark arrestor for the muffler is available through your nearest engine authorized service dealer or contact the service department, P.O. Box 361131 Cleveland, Ohio 44136-0019.

Safety Symbols

This page depicts and describes safety symbols that may appear on this product. Read, understand and follow all instructions on the machine before attempting to assemble and operate.

| Symbol | Description |
|-----------------------------------------------------------------------------------|--------------------------------------------------------------------------------------------------------------------------------------------------|
|  | READ THE OPERATOR'S MANUAL(S) Read, understand and follow all instructions in the manual(s) before attempting to assemble and operate. |
|  | WARNING— ROTATING TINES Do not put hands or feet near rotating parts. Contact with the rotating parts can amputate hands and feet. |

WARNING

Your Responsibility — Restrict the use of this power machine to persons who read, understand and follow the warnings and instructions in this manual and on the machine.
SAVE THESE INSTRUCTIONS!

ASSEMBLY & SET-UP

Thank You

Thank you for purchasing this product. It was carefully engineered to provide excellent performance when properly operated and maintained.

Please read this entire manual prior to operating the equipment. It instructs you how to safely and easily set up, operate and maintain your machine. Please be sure that you, and any other persons who will operate the machine, carefully follow the recommended safety practices at all times. Failure to do so could result in personal injury or property damage.

All information in this manual is relative to the most recent product information available at the time of printing. Review this manual frequently to familiarize yourself with the machine, its features and operation. Please be aware that this Operator's Manual may cover a range of product specifications for various models. Characteristics and features discussed and/or illustrated in this manual may not be applicable to all models. We reserve the right to change product specifications, designs and equipment without notice and without incurring obligation.

If applicable, the power testing information used to establish the power rating of the engine equipped on this machine can be found at www.opei.org or the engine manufacturer's web site.

If you have any problems or questions concerning the machine, phone an authorized service dealer or contact us directly. We want to ensure your complete satisfaction at all times.

Throughout this manual, all references to *right* and *left* side of the machine are observed from the operating position.

The engine manufacturer is responsible for all engine-related issues with regards to performance, power-rating, specifications, warranty and service. Please refer to the engine manufacturer's Owner's/Operator's Manual, packed separately with your machine, for more information.

Contents of Carton

- Tiller
- Bottle of Oil
- Handlebar Assembly
- Operator's Manual
- Engine Operator's Manual

NOTE: This Operator's Manual covers several garden tiller models. The tiller depicted may differ from yours.

WARNING

To prevent personal injury or property damage, do not start the engine until all assembly steps are complete and you have read and understand the safety and operating instructions in this manual.

Recommended Tools for Assembly

- Two 1/2" open-end wrenches
- Block of wood (to support tiller when removing wheels)
- Tire pressure gauge
- Clean oil funnel
- Motor oil. Refer to the Engine Operator's Manual for oil specifications and quantity required.

Assembly

Unpacking Instructions

NOTE: While unpacking, do not severely bend any of the control cables.

1. The tiller is heavy, do not attempt to remove it from the shipping platform until instructed to do so in these Assembly steps.
2. Remove any packaging material from the carton. Remove any staples from the bottom of the carton and remove the carton from the shipping platform.

3. Remove all loose parts from the carton. Check that you have the items listed in the Contents of Carton list (contact your local dealer or the factory if items are missing or damaged).

Handle

NOTE: All references to the right or left side of the tiller are from the operator's position.

1. Remove two hex screws (5/16-18 x 1.50), two flange lock nuts (5/16-18), carriage bolt (5/16-18 x 6.75), belleville washer (.326 x .875 x .145) and knob (5/16-18) from the lower handlebar and support brackets. See Figure 1.

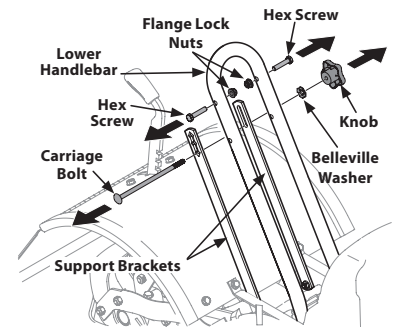


Figure 1

2. Using two hex screws and two flange lock nuts, loosely attach the handlebar support using the upper holes. See Figure 2.

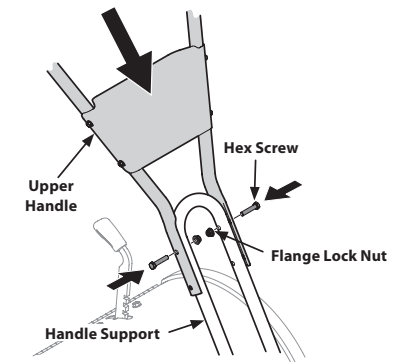


Figure 2

3. Loosely attach the support brackets to the outside of the handlebar assembly using the carriage bolt, belleville washer and knob. See Figure 3.

NOTE: If a support bracket will not move, loosen the attaching hex screws (5/16-18 x .75) and flange lock nuts (5/16-18) at the base of the support brackets.

NOTE: The support brackets must be assembled to the outside of the handlebar assembly.

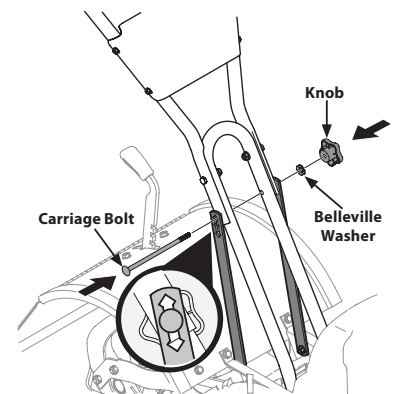


Figure 3

4. There are three height adjustment holes in the handlebar support bracket. Use a setting that will position the handlebars at approximately waist level when the tines are 3-4" into the soil. To adjust the height of the handlebars loosen the knob on the handle, pull out on the carriage screw, adjust to the desired setting, push the carriage screw in until the square portion of the screw locks into place and re-tighten the knob. See Figure 4.

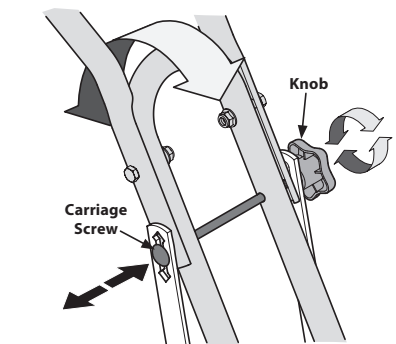


Figure 4

ASSEMBLY & SET-UP

5. Tighten all the handlebar mounting hardware securely.

Attaching Clutch Cables

1. Carefully unwrap the cable(s) from the shipping position. To attach the clutch cable(s), feed the cable(s) up the front of the lower right handle and behind the handle panel. See Figure 5.
2. Pull the forward clutch cable with the black end fitting up through the bottom hole of the cable bracket and push the cable connector up through the hole until the groove in the connector snaps into place. See Figure 6.
3. Place the Z-connector into the hole in the forward clutch bail from the outside of the bail to the inside. See Figure 6.
4. Pull the reverse clutch cable (if equipped) with the red fitting up through the top hole of the cable bracket and push the cable connector up through the hole until the groove in the connector snaps into place. See Figure 7.
5. Place the Z-connector into the hole in the reverse clutch handle assembly from the inside of the handle to the outside. See Figure 7.

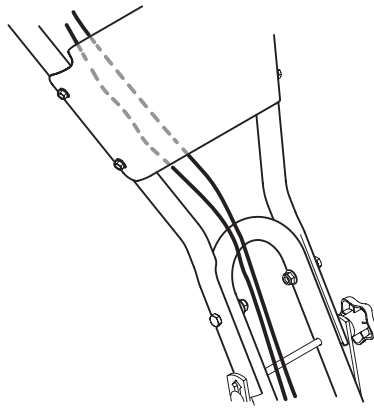


Figure 5

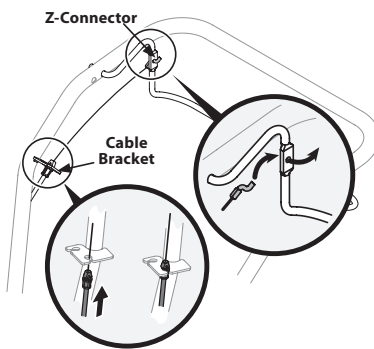


Figure 6

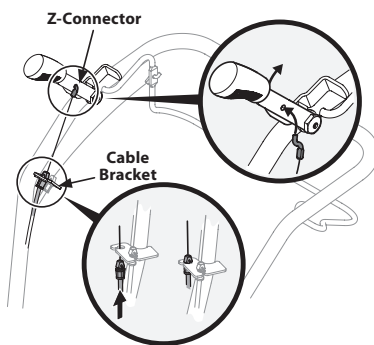


Figure 7

Installing Emergency Stop Control (IF EQUIPPED)

⚠ WARNING

Use extreme caution when reversing or pulling the machine towards you. To avoid getting pinned against a structure, ensure adequate distance before reversing near a wall or fence. For machines with powered reverse drive capability, familiarize yourself with the operation of the Emergency Stop Control. It provides a means of stopping power to the tines and wheel drive in an emergency situation.

1. Locate the emergency stop control wire on the right side of the unit behind the engine.

2. Route the emergency stop control wire up the outside on the right side lower handle support and right side handle support bracket. Secure the wire to the handle and support with a cable tie, slightly above the support bracket. See Figure 8.

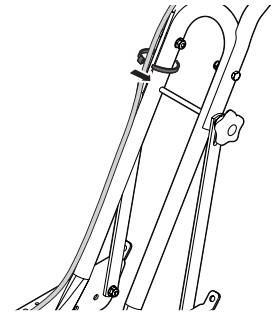


Figure 8

3. Route the wire over the upper handle, then behind the handle panel, securing it to the right side of the handlebar with the clutch cables at the upper corner of the panel. See Figure 9.
4. Route the wire behind the panel to the left side handle, and secure it just above the upper corner of the panel with a cable tie. (Keep the wire positioned along the inside of the handle). See Figure 10.

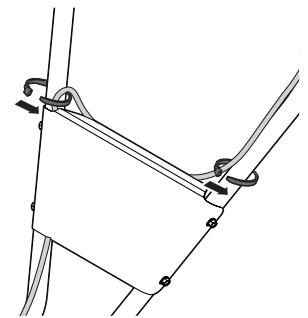


Figure 9

5. Mount the emergency stop control ON/OFF switch onto the left side of the handlebar with the #10-32 : 1.50 hex bolt and 10-32 flange lock nut. See 1 in Figure 11.

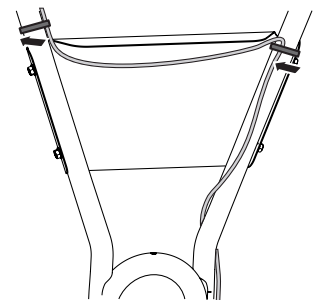


Figure 10

6. Secure the wire near the bottom of the handlebar with a cable tie looped through the hole beside the instruction label on the left handlebar. See 2 in Figure 11.

NOTE: Do not allow the wire to cover the safety label attached to the handle. Label must be fully visible and legible.

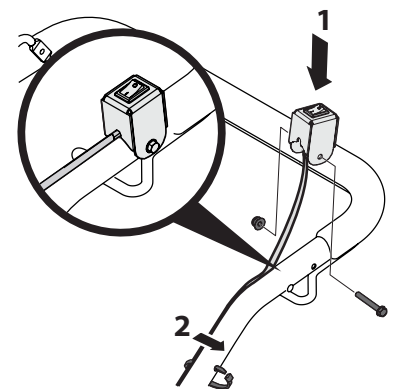


Figure 11

ASSEMBLY & SET-UP

Move Tiller Off Crate

To roll the tiller off the shipping platform, put the wheels in freewheel, as follows:

1. Place a sturdy block under the transmission to raise one wheel about 1" off the ground.

2. Remove the wheel drive pin from the wheel hub and wheel shaft. See Figure 12.

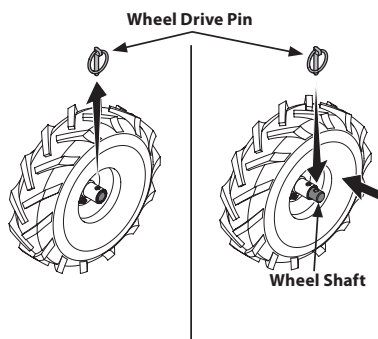


Figure 12

3. Slide the wheel fully inward on the wheel shaft. Reinstall the wheel drive pin through the wheel shaft only (not through the wheel hub). See Figure 12. The wheel should now spin freely (freewheel) on the wheel shaft. Repeat with the other wheel.

4. Use the handlebar to roll the tiller to a flat area.

NOTE: Before starting the engine, the wheels must be placed in the WHEEL DRIVE position (pins through wheel hubs and wheel shaft).

Set-Up

Tire Pressure

Check the air pressure with a tire gauge. Deflate or inflate the tires equally to between 15 and 20 PSI.

NOTE: Be sure that both tires are inflated equally or the tiller will pull to one side.

Gas & Oil Fill Up

WARNING

Use extreme care when handling gasoline. Gasoline is extremely flammable and the vapors are explosive. Never fuel the machine indoors or while the engine is hot or running. Extinguish cigarettes, cigars, pipes and any other sources of ignition.

Service the engine with gasoline and oil as instructed in the Engine Operator's Manual packed separately with your tiller. Read the instructions carefully.

CONTROLS & OPERATION

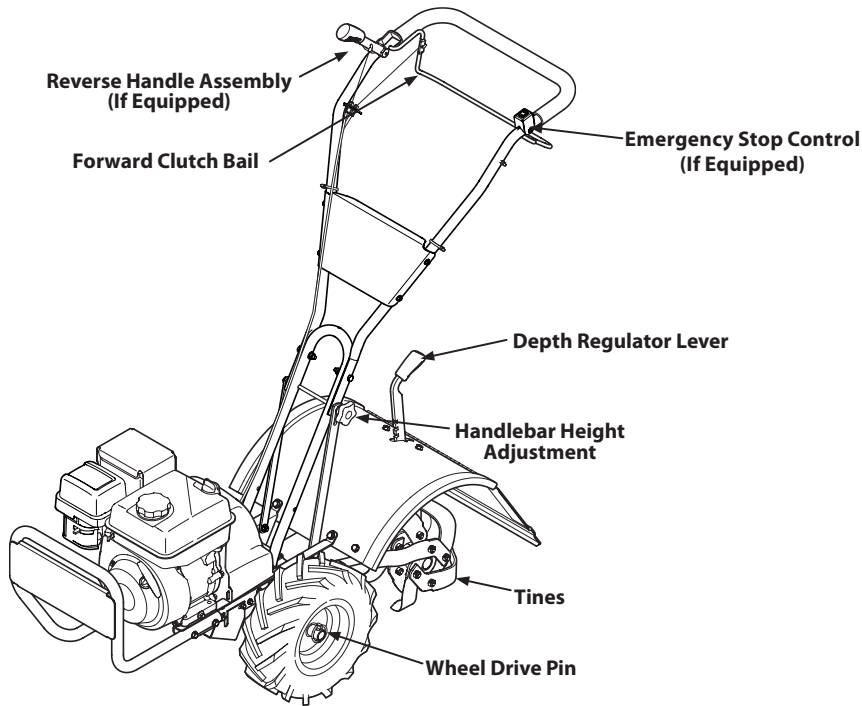


Figure 13

NOTE: This Operator's Manual covers several garden tiller models. The tiller depicted may differ from yours.

Engine Controls

For detailed information on all engine controls refer to the separate Engine Operator's Manual.

Wheel Drive Pins

Each wheel is equipped with a wheel drive click pin that secures the wheel to the wheel shaft. The wheels can be positioned in either a wheel drive or a freewheel mode.

Forward Clutch Bail

The forward clutch bail controls the engagement of the forward drive of the wheels and tines.

Reverse Handle Assembly (IF EQUIPPED)

The reverse handle assembly controls the engagement of the reverse drive of the wheels and tines.

Depth Regulator Lever

This lever controls the tilling depth of the tines. Pull the lever back and slide it up or down to engage the notched height settings.

Handlebar Height Adjustment

The handlebar height is adjustable to three different settings. In general, adjust the handlebars so they are at waist level when the tines are 3-4" in the ground.

Emergency Stop Control (IF EQUIPPED)

The emergency stop control is a switch used to stop the tiller engine and tiller functions from the operator's position in emergency situations.

NOTE: Some engine models may also come equipped with an ignition ON/OFF switch. Consult the separate Engine Operator's Manual.

⚠ WARNING

Before operating your machine, carefully read and understand this manual and all of its safety, operating and maintenance sections and instructions, along with all of the decals on the machine. Failure to follow these instructions can result in serious personal injury.

Introduction

Read this entire section and the Engine Operator's Manual before you start the engine. Then, take the time to familiarize yourself with the basic operation of the tiller before using it in the garden.

Find an open, level area and practice using the tiller controls without the tines engaging the soil (put tines in "transport" setting).

Only after you've become completely familiar with the tiller should you begin using it in the garden.

Break-In Operation

Perform the following maintenance after the first five (5) hours of new operation.

1. Change engine oil.
2. Check for loose or missing hardware on the tiller. Tighten or replace as needed.
3. Check transmission gear oil level. See the Service section.

Starting the Engine

Pre-Start Checklist

With the spark plug wire disconnected from the spark plug, perform the following checks and services before each use:

1. Read the Safe Operation Practices and the Controls & Operation sections in this manual. Read the separate Engine Operator's Manual provided with the tiller.
2. Put the wheels in the WHEEL DRIVE position (wheel pins must be through holes in wheel hubs and wheel shaft).

⚠ WARNING

Never allow either of the wheels to be in the freewheel position when the engine is running. Always put both wheels in the wheel drive position before starting the engine. Failure to comply could cause loss of tiller control, property damage or personal injury.

3. Check the tiller for loose or missing hardware. Service as required.
4. Check the engine oil level to ensure properly filled. See the Engine Operator's Manual.
5. Check that all the safety guards and covers are in place.
6. Check the air cleaner and engine cooling system. See the Engine Operator's Manual.
7. Fill the fuel tank with gasoline according to the directions in the separate Engine Operator's Manual. Follow all instructions and safety rules carefully.
8. If necessary, attach the spark plug wire to the spark plug.

CONTROLS & OPERATION

Starting the Engine

⚠ WARNING

To help prevent serious personal injury or damage to equipment, put both wheels in the **WHEEL DRIVE** position. Never have wheels in **FREEWHEEL** position when the engine is running. When the wheels are in **FREEWHEEL**, they do not hold back the tiller and the tines could propel the tiller rapidly forward or backward. Put the Forward Clutch Bail in neutral (disengaged) position by releasing the lever.

⚠ WARNING

Never run the engine indoors or in an enclosed, poorly ventilated area. Engine exhaust contains carbon monoxide, an odorless and deadly gas. Avoid the engine muffler and nearby areas. Temperatures in these areas may exceed 150° F.

1. Complete the Pre-Start Checklist in this section.
2. Put the wheels in the **WHEEL DRIVE** position.
3. Move the depth regulator lever all the way down to the “travel” position, so that the tines clear the ground. To change the depth setting, pull back on the depth regulator lever (A) and lift up or down (B), then release the lever (C) to secure in the desired position. See Figure 14.
4. Release all of the controls on the tiller.
5. If equipped with an emergency stop control switch, make sure that the emergency stop control is set to the **ON** position, represented by the solid line while attempting to start the engine. See Figure 15.
6. Start the engine as instructed in the Engine Operator’s Manual.

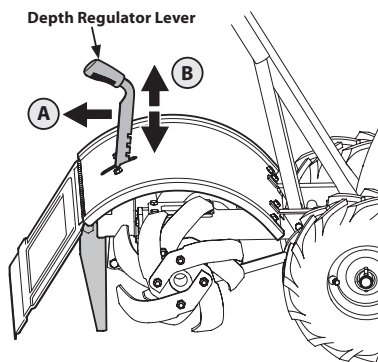


Figure 14

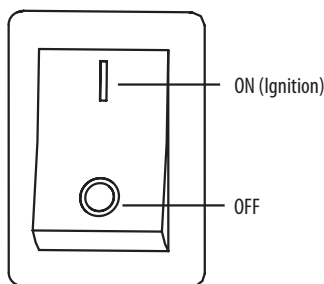


Figure 15

IMPORTANT: If equipped with an emergency stop control switch, verify the stop control function works properly before each use by moving the switch to the **OFF** position with the engine running. Only continue operation if the emergency stop control switch stops the engine.

Stopping the Engine

1. To stop the wheels and tines, release the Forward Clutch Bail.
2. Refer to the Engine Operator’s Manual for instructions on stopping the engine.

Using Emergency Stop Control (If Equipped)

To stop the running engine using the emergency stop control, move the switch to the **OFF** position, represented by the circle. See Figure 15.

Engage Drive & Tines

1. For forward motion of the wheels and power to the tines pull the Forward Clutch Bail up against the handlebar. Release the bail to stop the forward motion of the wheels and tines.

2. When tilling, relax and let the wheels pull the machine while the tines dig. Walk behind and a little to one side of the tiller. Use one hand, yet keep a light — but secure — grip on the handlebar (while keeping your arm loose).

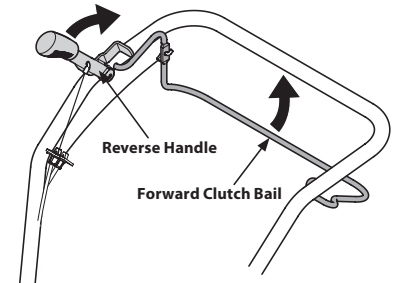


Figure 16

See Figure 16. Let the tiller move at its own pace and do not push down on the handlebars to try and force the tines to dig deeper — this takes weight off the wheels and reduces traction.

⚠ WARNING

Do not push down on the handlebars to try to make the tiller till more deeply. This prevents the wheels from holding the tiller back and can allow the tines to rapidly propel the tiller forward, which could result in loss of control, property damage or personal injury.

3. To move in reverse:
 - a. On models with reverse handle:
 - Look behind and exercise caution when operating in reverse. Do not till while in reverse.
 - Stop all forward motion. Lift the handlebar with one hand until the tines are off the ground and then pull the Reverse Handle back. To stop reversing, let go of the Reverse Handle.
 - If longer distances need to be covered in reverse, shut off the engine, then place the two wheels in freewheel.
 - b. On models without reverse handle:
 - Release the forward clutch bail. Then lift the handlebar until the tines are off the ground.
 - Swing the handlebar to the left so the right wheel takes a “step” backward. Next swing the handlebar to the right so the left wheel “steps” backward. Repeat as needed.
 - If longer distances need to be covered in reverse, shut off the engine, then place the two wheels in freewheel.

CONTROLS & OPERATION

Turning the Tiller

Practice turning the tiller in a level, open area. Be very careful to keep your feet and legs away from the tines.

1. To begin a turn, lift the handlebars until the tines are out of the ground and the engine and tines are balanced over the wheels. See Figure 17.
2. With the tiller balanced, push sideways on the handlebar to steer in the direction of the turn. See Figure 17.
3. After turning, slowly lower the tines into the soil to resume tilling. See Figure 17.

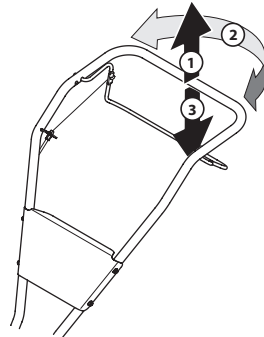


Figure 17

Clearing the Tines

WARNING

Before clearing the tines by hand, stop the engine, allow all moving parts to stop and disconnect the spark plug wire. Failure to follow this warning could result in personal injury.

The tines have a self-clearing action which eliminates most of the debris. However, occasionally debris may become tangled. Follow these procedures to help avoid tangling and to clean the tines, if necessary.

- Try to till under crop residues or cover crops while they are green, moist and tender.
- While tilling, try swaying the handlebars from side to side (about 6" to 12"). This "fishtailing" action often clears the tines of debris.

Tilling Tips & Techniques

Tilling Depth

WARNING

Before tilling, contact your telephone or utilities company and inquire if underground equipment or lines are used on your property. Do not till near buried electric cables, telephone lines, pipes or hoses.

- This is a CRT (counter-rotating tine) tiller. As the wheels pull forward, the tines rotate backward. This creates an "uppercut" tine action which digs deeply, uprooting soil and weeds. Don't overload the engine, but dig as deeply as possible on each pass. On later passes, the wheels may tend to spin in the soft dirt. Help them along by lifting up slightly on the handlebar (one hand, palm up, works most easily).
- Avoid the temptation to push down on the handlebars in an attempt to force the tiller to dig deeper. Doing so takes the weight off the powered wheels, causing them to lose traction. Without the wheels to hold the tiller back, the tines will attempt to propel the tiller backward, towards the operator.

- When cultivating (breaking up surface soil around plants to destroy weeds, see Figure 18), adjust the tines to dig only 1" to 2" deep. Using shallow tilling depths helps prevent injury to the plants whose roots often grow close to the surface. If needed, lift up on the handlebars slightly to prevent the tines from digging too deeply. (Cultivating on a regular basis not only eliminates weeds, it also loosens and aerates the soil for better moisture absorption and faster plant growth.) Watering the garden area a few days prior to tilling will make tilling easier, as will letting the newly worked soil set for a day or two before making a final, deep tilling pass.

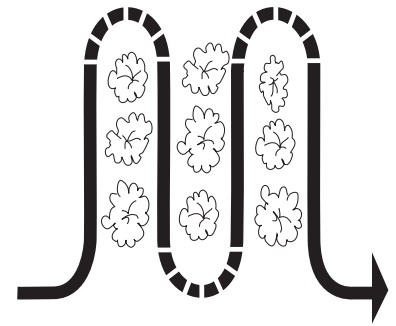


Figure 18

Loading & Unloading the Tiller

WARNING

Loading and unloading the tiller into a vehicle is potentially hazardous and doing so is not recommended unless absolutely necessary, as this could result in personal injury or property damage.

If it is necessary to load or unload the tiller, follow these guidelines.

- Stop the engine, wait for all parts to stop moving, disconnect the spark plug wire and let the engine and muffler cool.
- The tiller is too heavy and bulky to be lifted safely by one person. Two or more people should share the load.
- Use sturdy ramps and manually — with the engine shut off — roll the tiller into and out of the vehicle. Two or more people are needed to do this.
- The ramps must be strong enough to support the combined weight of the tiller and any handlers. The ramps should provide good traction to prevent slipping, they should have side rails to guide the tiller along the ramps and they should have a locking device to secure them to the vehicle.
- The handlers should wear sturdy footwear that will help prevent slipping.
- Position the loading vehicle so that the ramp angle is as flat as possible (the less incline to the ramp, the better). Turn the vehicle's engine off and apply its parking brake.
- When going up ramps, stand in the normal operating position and push the tiller ahead of you. Have a person at each side to turn the wheels.
- When going down ramps, walk backward with the tiller following you. Keep alert for any obstacles behind you. Position a person at each wheel to control the speed of the tiller. Never go down ramps tiller-first, as the tiller could tip forward.
- Place wooden blocks on the downhill side of the wheels if you need to stop the tiller from rolling down the ramp. Also, use the blocks to temporarily keep the tiller in place on the ramps (if necessary), and to chock the wheels in place after the tiller is in the vehicle.
- After loading the tiller, prevent it from rolling by engaging the wheels in the wheel drive position. Chock the wheels with blocks and securely tie the tiller down.

SERVICE

WARNING

Before inspecting, cleaning or servicing the machine, shut off the engine, wait for all moving parts to come to a complete stop, wait for the engine to cool, disconnect the spark plug wire and move the wire away from the spark plug. Failure to follow these instructions can result in serious personal injury or property damage.

Maintenance

Engine

Refer to the Engine Operator's Manual packed with your tiller for all engine maintenance.

Tire Pressure

Check the air pressure in both tires. The air pressure should be between 15-20 PSI. Keep both tires equally inflated to help prevent machine from pulling to one side.

Hardware

Check for loose or missing hardware after every 10 operating hours and tighten or replace (as needed) before using tiller.

Be sure to check the screws underneath the tiller hood that secure the transmission cover and the Depth Regulator Lever to the transmission.

Lubrication

After every 10 operating hours, oil or grease the lubrication points shown in Figure 19.

Use a clean lubricating oil (#30 weight motor oil is suitable) and a clean general purpose grease (grease containing a metal lubricant is preferred, if available).

- Remove the wheels, clean the wheel shaft and apply a thin coating of grease to the wheel shaft.
- Grease the back, front and sides of the depth regulator lever.
- Remove the tines and clean the tine shaft. Use a file or sandpaper to gently remove any rust, burrs or rough spots (especially around holes in the shaft). Apply grease to the ends of the shaft before installing the tines.
- Oil the threads on the handlebar height adjustment screws and the handlebar attaching screws.

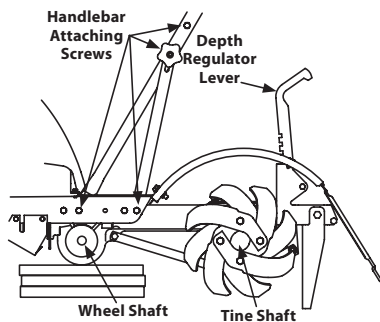


Figure 19

Transmission Gear Oil

Check the transmission gear oil after every 30 hours of operation or whenever you notice any oil leak. Operating the tiller when the transmission is low on oil can result in severe damage.

To Check the Transmission Gear Oil Level:

1. Check the gear oil level when the transmission is cool. Gear oil will expand in warm operating temperatures and this expansion will provide an incorrect oil level reading.
2. With the tiller on level ground, pull the Depth Regulator Lever all the way up.
3. Clean the area around the oil fill plug. See Figure 20.

4. Remove the oil fill plug from the transmission housing and look inside the oil fill hole to locate the main drive shaft situated below the hole. See Figure 20.

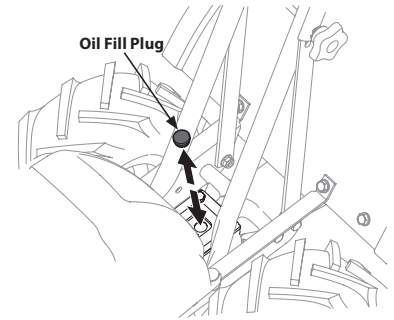


Figure 20

5. The gear oil level is correct if the gear oil is approximately halfway up the side of the main drive shaft.
6. If the gear oil level is low, add gear oil as described next. If the gear oil level is okay, securely replace the oil fill plug.
7. When adding gear oil, use Synthetic 75W 140.
8. While checking frequently to avoid overfilling, slowly add gear oil into the oil fill hole until it reaches the halfway point on the drive shaft.
9. Securely replace the oil fill plug.

Off-Season Storage

When the tiller won't be used for an extended period, prepare it for storage as follows:

1. Clean the tiller and engine.
2. Do routine tiller lubrication and check for loose parts and hardware.
3. Protect the engine and perform recommended engine maintenance by following the storage instructions found in the Engine Operator's Manual. Be sure to protect the fuel lines, carburetor and fuel tank from gum deposits by removing fuel or by treating fuel with a fuel stabilizer (follow the engine manufacturer's recommendations).
4. Store the tiller in a clean, dry area.
5. Never store the tiller with fuel in the fuel tank in an enclosed area where gas fumes could reach an open flame or spark, or where ignition sources are present (space heaters, hot water heaters, furnaces, etc.).

Belt Replacement

If the drive belt or reverse drive belt needs to be replaced, see your local authorized dealer or refer to the separate supplement for ordering information. Use only a factory-authorized belt as an "over-the-counter" belt may not perform satisfactorily. The procedure requires average mechanical ability and commonly available tools.

NOTE: When reinstalling the belt cover, be sure to engage the bail and hold it so that the drive belt is tight before attempting to reinstall the belt cover. This will enable the belt to fall under the belt keeping mechanism built into the belt cover. Failure to do so could damage the belt and/or belt cover.

Tines

The bolo tines will wear with use and should be inspected at the beginning of each tilling season and after every 30 operating hours. The tines can be replaced either individually or as a complete set. See the separate supplement for tine identification and part numbers.

SERVICE

Tine Inspection

With use, the tines will become shorter, narrower and pointed. Badly worn tines will result in a loss of tilling depth, and reduced effectiveness when chopping up and turning under organic matter.

Refer to Figure 21 for the following tine procedures.

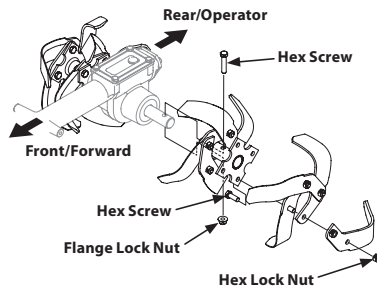


Figure 21

Removing/Installing a Single Tine

1. With the engine shut off and the spark plug wire disconnected, remove the two hex screws ($\frac{3}{8}$ -16 x 1.00) and hex lock nuts ($\frac{3}{8}$ -16) that attach a single tine to a tine holder. If needed, use penetrating oil on the nuts.
2. When installing a single tine, be sure to position it so that its cutting edge (sharp) will enter the soil first as the tiller moves forward.

Removing/Installing a Tine Assembly:

1. A tine assembly consists of eight tines mounted on a tine holder.
2. If removing both tine assemblies, mark them "left" and "right" before removal. Remove the hex screw ($\frac{3}{8}$ -16 x 1.75) and flange lock nut ($\frac{3}{8}$ -16) that secure the tine assembly to the tine shaft. If necessary, use a rubber mallet to tap the tine assembly outward off the shaft.
3. Before reinstalling the tine assembly, inspect the tine shaft for rust, rough spots or burrs. Lightly file or sand, as needed. Apply a thin coat of grease to the shaft.
4. Install each tine assembly so that the cutting (sharp) edge of the tines will enter the soil first when the tiller moves forward. Secure the tine assembly to the tine shaft using the screw and locknut.

Change Transmission Gear Oil

NOTE: The transmission gear oil does not need to be changed unless it has been contaminated with dirt, sand or metal particles.

1. Drain the gasoline from the fuel tank or run the engine until the fuel tank is empty.
2. Drain the oil from the engine.
3. Remove the hex washer screw ($\frac{1}{4}$ -20 x .500) and flat washer (.28 x .74 x .500) from the left side of the belt cover (if so equipped) and the hex washer screw ($\frac{1}{4}$ -20 x .500) from the right side of the belt cover. Remove the belt cover. See Figure 22.

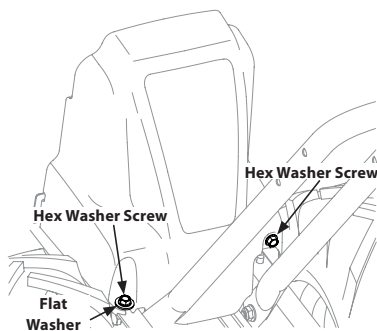


Figure 22

4. Remove all dirt and clean the area around the transmission cover. See Figure 23.
5. Remove the four hex screws ($\frac{5}{16}$ -18 x .75) securing the transmission cover to the drive shaft and remove the cover. See Figure 23.
6. Remove the left-side wheel. Tilt the left-side wheel shaft into a drain pan and allow the gear oil to drain through the top of the transmission.
7. Reinstall the wheel and reinstall the transmission cover.
8. Refill the transmission using Synthetic 75W 140. Refill the engine with motor oil and replenish the fuel tank with gasoline.
9. Reinstall the belt cover.

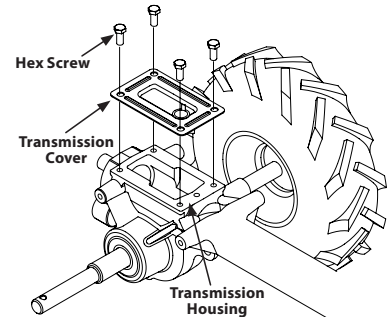


Figure 23

TROUBLESHOOTING

| Problem | Cause | Remedy |
|------------------------------|-----------------------------------------------------------------------------------------------------------------------------------------------------------------------------------------------------------------------------------------|-----------------------------------------------------------------------------------------------------------------------------------------------------------------------------------------------------------|
| Wheels/tines will not turn | <ol style="list-style-type: none"> 1. Improper use of controls. 2. Worn, broken or mis-adjusted drive belt(s). 3. Internal transmission wear or damage. 4. Bolt loose in transmission pulley. | <ol style="list-style-type: none"> 1. Review Controls & Operation section. 2. Replace or adjust belts. 3. Contact local authorized dealer. 4. Tighten bolt. |
| Tines turn, but wheels don't | <ol style="list-style-type: none"> 1. Wheel Drive Pins not in WHEEL DRIVE. 2. Bolt loose in transmission pulley. 3. Internal transmission wear or damage. | <ol style="list-style-type: none"> 1. Insert Drive Pins properly. 2. Tighten bolt. 3. Contact local authorized dealer. |
| Wheels turn, but tines don't | <ol style="list-style-type: none"> 1. Tine holder mounting hardware missing. 2. Bolt loose in transmission pulley. 3. Internal transmission wear or damage. | <ol style="list-style-type: none"> 1. Replace hardware. 2. Tighten bolt. 3. Contact local authorized dealer. |
| Poor tilling performance | <ol style="list-style-type: none"> 1. Worn tines. 2. Improper Depth Regulator setting. 3. Forward Drive Belt slipping. | <ol style="list-style-type: none"> 1. Replace Tines. 2. See "Tilling Tips & Techniques." 3. See Service section. |

MANUAL DEL OPERADOR

CRT Cultivadora de dientes traseros

Registro de información de producto

Antes de instalar y hacer funcionar su equipo nuevo, por favor localice la placa de modelo en el equipo y registre la información en el espacio de la derecha. Necesitará esta información para solicitar soporte técnico a través de nuestro sitio web, el Departamento de Atención al Cliente, o de un distribuidor local de servicio autorizado.

NÚMERO DE MODELO

| | | | | | | | | | | | |
|--|--|--|--|--|--|--|--|--|--|--|--|
| | | | | | | | | | | | |
|--|--|--|--|--|--|--|--|--|--|--|--|

NÚMERO DE SERIE

| | | | | | | | | | | | |
|--|--|--|--|--|--|--|--|--|--|--|--|
| | | | | | | | | | | | |
|--|--|--|--|--|--|--|--|--|--|--|--|

Table of Contents

| | | | |
|-----------------------------------------|----|------------------------------------|---------------------|
| <i>Medidas de seguridad</i> | 14 | <i>Solución de problemas</i> | 24 |
| <i>Montaje y Configuración</i> | 16 | <i>Piezas de repuesto</i> | Suplemento Separado |
| <i>Controles y Funcionamiento</i> | 19 | <i>Garantía</i> | Suplemento Separado |
| <i>Servicio</i> | 22 | | |

⚠ ADVERTENCIA

Lea y respete todas las normas de seguridad e instrucciones incluidas en este manual antes de poner en funcionamiento esta máquina. Si no respeta estas instrucciones puede provocar lesiones personales.

⚠ ADVERTENCIA

Proposición 65 de California

El escape del motor, algunos de sus componentes y ciertos componentes del vehículo contienen o emiten sustancias químicas que el Estado de California sabe que causan cáncer y defectos de nacimiento.

NOTA: Este manual de operación cubre distintos modelos. Las características del tractor pueden variar según los modelos. No todas las características en este manual se aplican a todos los modelos de tractor y la máquina que se ilustra aquí puede diferir de la suya.

MEDIDAS DE SEGURIDAD

▲ ADVERTENCIA

▲ Este símbolo indica instrucciones de seguridad importantes que, de no cumplirse, pueden poner en peligro su seguridad personal y/o material y la de otras personas. Lea y cumpla todas las instrucciones de este manual antes de intentar hacer funcionar esta máquina. Si no cumple estas instrucciones puede provocar lesiones personales. Cuando vea este símbolo - **TENGA EN CUENTA LA ADVERTENCIA.**

▲ PELIGRO

Esta máquina está diseñada para funcionar de acuerdo con las normas de seguridad contenidas en este manual. Al igual que con cualquier tipo de máquina eléctrica, un descuido o error por parte del operador puede producir lesiones graves. Esta máquina es capaz de amputar dedos, manos y pies. Si no se respetan las siguientes instrucciones de seguridad, se pueden ocasionar lesiones graves o la muerte.

Capacitación

1. Lea, entienda y cumpla todas las instrucciones incluidas en la máquina y en los manuales antes de intentar armarla y hacerla funcionar. Guarde este manual en un lugar seguro para consultas futuras y periódicas, así como para solicitar repuestos.
2. Familiarícese con todos los controles y con el uso adecuado de los mismos. Sepa cómo parar la máquina y desactivar los controles rápidamente.
3. No permita nunca que los menores de 14 años utilicen esta máquina. Los menores de 14 años en adelante deben leer y entender las instrucciones y las normas de seguridad contenidas en este manual y sobre la máquina, y deben ser capacitados y supervisados por un adulto.
4. Nunca permita que los adultos operen esta máquina sin recibir antes la instrucción adecuada.
5. Mantenga el área de operación despejada de personas, especialmente niños pequeños y mascotas. Pare la máquina si alguien ingresa al área.

Preparativos

1. Inspeccione minuciosamente el área donde se usará el equipo. Saque todas las piedras, palos, cables y otros objetos extraños con los que alguien pueda tropezar o sufrir lesiones personales.
2. Utilice zapatos de trabajo resistentes, de suela fuerte, así como pantalones y camisas ajustados. Las ropas sueltas o las joyas pueden atascarse en las partes móviles. Nunca haga funcionar esta máquina descalzo o con sandalias.
3. Desengrane el embrague y el cambio (si lo tiene) a neutral ("N") antes de encender el motor.
4. Nunca deje la máquina funcionando sin vigilancia.
5. Nunca intente hacer ajustes mientras el motor está en marcha, excepto cuando así lo recomiende específicamente el manual del operador.

Manipulación segura de la gasolina:

1. Para evitar lesiones personales o daños materiales tenga mucho cuidado al manipular la gasolina. La gasolina es sumamente inflamable y sus vapores son explosivos. Si se derrama gasolina sobre el cuerpo o la ropa se puede lastimar gravemente ya que podría prenderse fuego. Lávese la piel y cámbiese de ropa de inmediato.
 - Utilice sólo recipientes para gasolina autorizados.
 - Nunca llene los recipientes dentro de un vehículo o de un camión o remolque con recubrimiento plástico. Coloque siempre los recipientes en el piso y lejos del vehículo antes de llenarlos.
 - Siempre que sea posible, saque el equipo a gasolina del camión o del remolque y llénelo sobre el suelo. Si eso no es posible, llene el equipo sobre el remolque con un recipiente portátil, en lugar de hacerlo desde la boquilla del surtidor de gasolina.
 - Mantenga la boquilla en contacto con el borde del tanque de combustible o con la boca del recipiente en todo momento, hasta terminar de cargar. No utilice un dispositivo para mantener abierta la boquilla.
 - Apague todos los cigarrillos, cigarros, pipas y otras fuentes de combustión.
 - Nunca cargue combustible en una máquina en interiores.
 - Nunca saque el tapón del combustible ni agregue combustible mientras el motor está caliente o en marcha. Deje que el motor se enfríe por lo menos dos minutos antes de cargar combustible.
 - Nunca llene en exceso el tanque de combustible. Llene el tanque no más de ½ pulgada por debajo de la base del cuello de llenado para dejar espacio para la expansión del combustible.
 - Vuelva a colocar el tapón de combustible y ajústelo bien.
 - Limpie el combustible que se haya derramado sobre el motor y el equipo. Traslade la unidad a otro lugar. Espere 5 minutos antes de arrancar el motor.
 - Para reducir el riesgo de incendio, mantenga la máquina limpia de pasto, hojas y residuos acumulados. Limpie los derrames de aceite o combustible y retire todos los residuos impregnados de combustible.
 - Nunca guarde la máquina o el recipiente de combustible en un espacio cerrado donde haya una llama expuesta, chispas o llama piloto, como por ejemplo de calentadores de agua, calefactores de ambientes, hornos, secadores de ropa y otros aparatos a gas.

Funcionamiento

1. No coloque las manos ni los pies cerca de las piezas giratorias. El contacto con las piezas giratorias puede amputar manos y pies.
2. Siempre use gafas o anteojos de seguridad durante la operación y mientras realiza un ajuste o reparación para proteger sus ojos. Los objetos lanzados que rebotan pueden causar lesiones graves en los ojos.

3. Para un uso prolongado de este producto, se requiere protección auditiva.
4. No utilice la máquina bajo la influencia de alcohol o drogas.
5. Nunca opere esta máquina si no tiene buena visibilidad o luz. Siempre debe estar bien afirmado y sujetar firmemente el manillar.
6. Mantenga a los observadores alejados de la máquina cuando está funcionando. Detenga la máquina si alguien se acerca.
7. Tenga cuidado cuando cultive suelos duros. Los dientes pueden atascarse en el suelo e impulsar la cultivadora hacia adelante. Si esto sucede, suelte el manillar y no sujete la máquina.
8. Tenga mucho cuidado si cruza o usa la máquina en superficies con grava. Manténgase atento al tráfico y los riesgos ocultos. No lleve pasajeros.
9. Nunca use la máquina a altas velocidades de transporte sobre superficies duras o resbalosas.
10. Tenga cuidado para evitar resbalarse o caer.
11. Mire hacia abajo y hacia atrás y sea muy cuidadoso marcha atrás o acercando la máquina hacia usted.
12. Encienda el motor según las instrucciones que se encuentran en este manual y mantenga en todo momento los pies alejados de los dientes.
13. Después de golpear algún objeto extraño, detenga el motor, desconecte el cable de la bujía y conéctelo a tierra con el motor. Inspeccione minuciosamente la máquina para ver si está dañada. Repare el daño antes de volver a arrancar y operar la máquina.
14. Desengrane todas las palancas de embrague (si las tiene) y pare el motor antes de dejar la posición del operador (detrás del manillar). Espere hasta que los dientes se detengan completamente antes de desatascarlos, realizar ajustes o inspecciones.
15. Nunca haga funcionar el motor en espacios cerrados o en un lugar poco ventilado. El escape del motor contiene monóxido de carbono, un gas inodoro y letal.
16. El silenciador y el motor se calientan y pueden causar quemaduras. No los toque.
17. Tenga cuidado cuando cultive cerca de cercos, servicios subterráneos o edificios. Los dientes giratorios pueden causar daños materiales o lesiones personales.
18. No sobrecargue la capacidad de la máquina intentando cultivar suelos demasiado profundos a una velocidad demasiado rápida.
19. Si la máquina comenzara a realizar un ruido o vibración inusual, pare el motor, desconecte el cable de la bujía y póngalo haciendo masa contra el motor. Revise cuidadosamente para detectar daños. Repare cualquier daño antes de encender el motor y operar la máquina.
20. Mantenga todos los protectores, guardas y dispositivos de seguridad en su lugar y en correcto funcionamiento.
21. Nunca levante o cargue la máquina cuando el motor esté en marcha.
22. Use solo accesorios aprobados por el fabricante. Si no lo hace, puede ocasionar lesiones personales.
23. En situaciones que no están previstas en este manual, tenga cuidado y use el sentido común. Comuníquese con Atención al Cliente para solicitar ayuda y el nombre de su distribuidor de servicio más cercano.

Mantenimiento y Almacenamiento

1. Mantenga la máquina y accesorios en condiciones de uso seguro.
2. Deje que la máquina se enfríe por lo menos cinco minutos antes de guardarla. Nunca modifique los dispositivos de seguridad. Controle periódicamente que funcionen correctamente.
3. Controle frecuentemente que los pernos y tornillos estén bien ajustados para mantener la máquina en buenas condiciones de funcionamiento. Además, haga inspecciones visuales de la máquina para verificar si sufrió algún daño.
4. Antes de limpiar, reparar o inspeccionar la máquina, pare el motor y compruebe que los dientes y todas las partes móviles se hayan detenido. Desconecte el cable de la bujía y póngalo a tierra contra el motor para evitar que arranque accidentalmente.
5. No cambie la configuración del regulador del motor ni acelere demasiado el motor. El regulador del motor controla la velocidad máxima de funcionamiento seguro del motor.
6. Mantenga o reemplace las etiquetas de seguridad y de instrucciones según sea necesario.
7. Consulte este manual para cargar, descargar, transportar y almacenar con seguridad esta máquina.
8. Siempre consulte el manual del operador para ver detalles importantes si la máquina se va a guardar durante un periodo prolongado de tiempo.
9. Si tiene que drenar el tanque de combustible, hágalo al aire libre.

MEDIDAS DE SEGURIDAD

- Cumpla con las normas y reglamentaciones sobre la manera de eliminar gasolina, aceite, etc. para proteger el medio ambiente.
- Según la Comisión de Seguridad de Productos para el Consumidor de los EE.UU. (CPSC) y la Agencia de Protección Ambiental de los EE.UU. (EPA), este producto tiene una *vida útil media* de siete (7) años o 130 horas de funcionamiento. Al finalizar la *vida útil media* haga inspeccionar anualmente esta unidad por un distribuidor de servicio autorizado para cerciorarse de que todos los sistemas mecánicos y de seguridad funcionan correctamente y no tienen excesivo desgaste. Si no lo hace, puede ocasionar accidentes, lesiones o la muerte.

Aviso sobre las Emisiones

Los motores certificados que cumplen con las normas sobre emisiones federales de la EPA y de California para SORE (Equipos pequeños todo terreno) pueden funcionar con gasolina sin plomo común y pueden incluir los siguientes sistemas de control de emisiones: Modificación del motor (EM), catalizador oxidante (OC), inyección de aire secundaria (SAI) y catalizador de tres vías (TWC) si están instalados.

Amortiguador de Chispas

ADVERTENCIA



Esta máquina está equipada con un motor de combustión interna y no debe utilizarse en un terreno agreste cubierto de bosque, malezas o pasto o cerca de él salvo que el sistema de escape del motor incluya un amortiguador de chispas que cumpla con la legislación local o estatal vigente (si corresponde).

Si utiliza un amortiguador de chispas, el operador lo debe mantener en buenas condiciones de uso. En el Estado de California, las medidas anteriormente mencionadas son exigidas por ley (Artículo 4442 del Código de Recursos Públicos de California). Es posible que existan leyes similares en otros estados. Las leyes federales se aplican en los territorios federales.

Puede conseguir el amortiguador de chispas para el silenciador a través de su distribuidor autorizado de motores más cercano o poniéndose en contacto con el departamento de servicios, P.O. Box 361131 Cleveland, Ohio 44136-0019.

Símbolos de Seguridad

En esta página se muestran y describen los símbolos de seguridad que pueden aparecer en este producto. Lea, comprenda y siga todas las instrucciones incluidas con la máquina antes de intentar armarla y hacerla funcionar.

| Símbolo | Descripción |
|-----------------------------------------------------------------------------------|-----------------------------------------------------------------------------------------------------------------------------------------------------------------------------|
|  | LEA LOS MANUALES DE OPERACIÓN Lea, comprenda y siga todas las instrucciones del manual antes de intentar armar y hacer funcionar la máquina. |
|  | ADVERTENCIA – DIENTES GIRATORIOS No ponga las manos ni los pies cerca de las piezas giratorias. El contacto con las piezas giratorias puede amputar manos y pies. |

ADVERTENCIA

Su Responsabilidad. Esta máquina eléctrica sólo puede ser usada por personas que lean, comprendan y respeten las advertencias e instrucciones que aparecen en este manual y sobre la máquina.

¡GUARDE ESTAS INSTRUCCIONES!

MONTAJE Y CONFIGURACIÓN

Gracias

Gracias por comprar esta máquina. La misma ha sido diseñada cuidadosamente para brindar excelente rendimiento si se la opera y mantiene correctamente.

Por favor lea todo este manual antes de operar el equipo. Le indica cómo configurar, operar y mantener la máquina con seguridad y fácilmente. Por favor asegúrese de seguir cuidadosamente y en todo momento las prácticas de seguridad recomendadas, y hacérselas seguir a cualquier otra persona que opere la máquina. En caso de no hacerlo podrían producirse lesiones personales o daños materiales.

Toda la información contenida en este manual hace referencia a la más reciente información de producto disponible en el momento de la impresión. Revise el manual frecuentemente para familiarizarse con la unidad, sus características y funcionamiento. Por favor tenga en cuenta que este Manual del Operador puede cubrir una gama de especificaciones de productos de diferentes modelos. Las características y funciones incluidas y/o ilustradas en este manual pueden no ser aplicables a todos los modelos. Reservamos el derecho de modificar las especificaciones de los productos, los diseños y el equipo estándar sin previo aviso y sin generar responsabilidad por obligaciones de ningún tipo.

En su caso, los datos de prueba de potencia utilizados para establecer la máxima potencia equipada en esta máquina se pueden encontrar en www.opei.org o sitio web del fabricante del motor.

Si tiene algún problema o pregunta sobre la máquina, llame a un distribuidor de servicio autorizado o póngase en contacto con nosotros directamente. Queremos asegurar su completa satisfacción en todo momento.

En este manual, las referencias al lado derecho o izquierdo de la máquina se observan desde la posición del operador.

El fabricante del motor es el responsable de todas las cuestiones relacionadas con el rendimiento, potencia de salida, especificaciones, garantía y mantenimiento del motor. Para obtener mayor información consulte el Manual del Propietario / Operador entregado por el fabricante del motor, que se envía, en un paquete por separado, junto con su unidad.

Contenido de la caja de cartón

- Cultivadora
- Botella de aceite
- Montaje de manillar
- Manual del operador
- Manual del operador del motor

NOTA: Este manual de operación cubre distintos modelos de cultivadora de jardín. La cultivadora que se exhibe aquí puede diferir de la suya.

⚠ ADVERTENCIA

Para evitar lesiones personales o daños materiales, no arranque el motor hasta después de haber completado todos los pasos de montaje y de haber leído y comprendido las instrucciones de seguridad y funcionamiento de este manual.

Herramientas recomendadas para el montaje

- 2 llaves de extremo abierto de 1/2"
- Bloque de madera (para sostener la cultivadora al quitar las ruedas)
- Manómetro para neumáticos
- Embudo limpio para aceite
- Aceite de motor: Consulte en el manual del operador del motor las especificaciones y cantidades de aceite necesarias

Montaje

Instrucciones para desembalar

NOTA: Al desembalar el equipo, no doble demasiado ningún cable de control.

1. La cultivadora es pesada, no intente retirarla de la plataforma de embarque hasta el momento indicado en estos pasos para el montaje.

2. Retire todo el material de embalaje de la caja. Retire todas las grapas del fondo de la caja y quite la caja de la plataforma de embarque.
3. Retire todas las piezas sueltas de la caja de cartón. Verifique que estén todos los elementos enumerados en la lista de Contenido de la caja (póngase en contacto con el distribuidor local o la fábrica respecto de los elementos faltantes o dañados).

Mango

NOTA: Todas las referencias al lado derecho o izquierdo de la cultivadora se hacen observando la misma desde la posición del operador.

1. Retire los dos tornillos hexagonales (5/16-18 x 1.50), las dos tuercas de seguridad con brida (5/16-18), el perno del carro (5/16-18 x 6.75), la arandela de campana (.326 x .875 x .145) y la perilla (5/16-18) del manillar inferior y de las ménsulas de soporte. Vea la Figura 1.

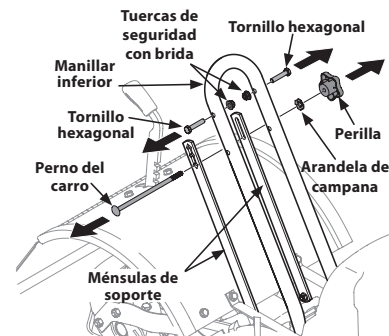


Figura 1

2. Utilizando los dos tornillos hexagonales y las dos tuercas de seguridad con brida, acople sin apretar el soporte del manillar utilizando los orificios superiores. Vea la Figura 2.
3. Acople sin apretar las ménsulas de soporte a la parte exterior del conjunto del manillar utilizando el perno del carro, la arandela de campana y la perilla. Consulte la Figura 3.

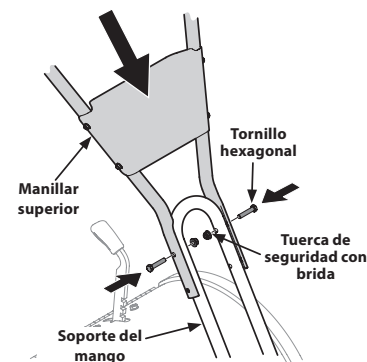


Figura 2

NOTA: Si la ménsula de soporte no se mueve, afloje los tornillos hexagonales acoplados (5/16-18 x .75) y las tuercas de seguridad con brida (5/16-18) en la base de las ménsulas de soporte.

NOTA: Las ménsulas de soporte se deben montar por fuera del montaje del manillar.

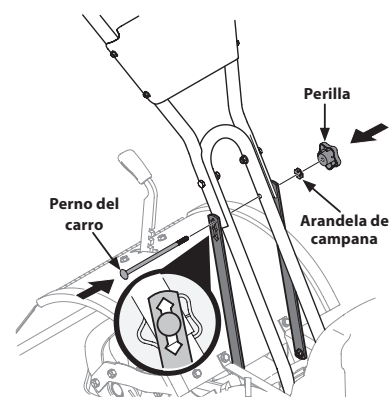


Figura 3

MONTAJE Y CONFIGURACIÓN

- Hay tres orificios de ajuste de la altura en las dos ménsulas de soporte del manillar. Use un ajuste que posicione los manillares aproximadamente al nivel de la cintura cuando los dientes se encuentran a 3"-4" dentro del suelo. Para ajustar la altura de los manillares, afloje la perilla del mango, extraiga el tornillo del carro, ajuste en el modo deseado, empuje el tornillo del carro hasta que la porción cuadrada del tornillo se fije en su lugar y vuelva a apretar la perilla. Vea la Figura 4.

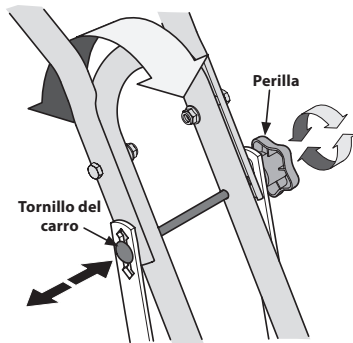


Figura 4

- Apriete con firmeza todas las piezas metálicas de montaje del manillar.

Conexión de los cables de embrague

- Desenvuelva con cuidado los cables de la posición de transporte. Para conectar los cables de embrague, alimentar a los cables de la parte delantera del mango inferior derecha y detrás del panel del asa. Vea la Figura 5.
- Tire el cable del embrague hacia adelante con el extremo negro montaje a través del orificio inferior del soporte del cable y empuje el conector del cable por el agujero hasta que la ranura en el conector encaje en su sitio. Vea la Figura 6.
- Coloque el conector Z dentro del orificio en el enganche del embrague de marcha directa desde la parte exterior del enganche hacia el interior. Vea la Figura 6.
- Tire el cable del embrague de marcha atrás (si lo tiene) con el accesorio rojo arriba a través del orificio superior del soporte del cable y empuje el conector del cable por el agujero hasta que la ranura en el conector encaje en su sitio. Vea la Figura 7.

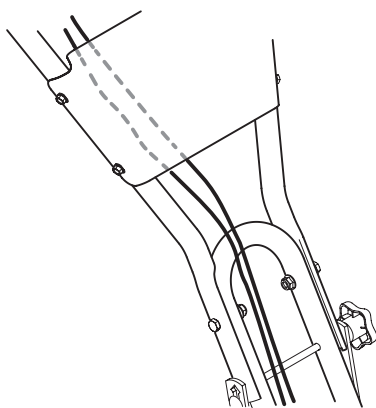


Figura 5

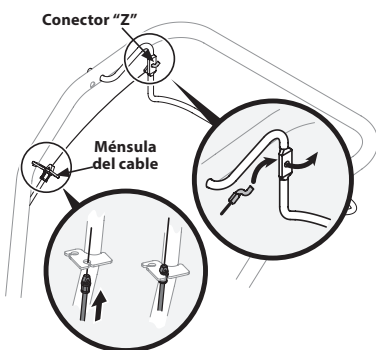


Figura 6

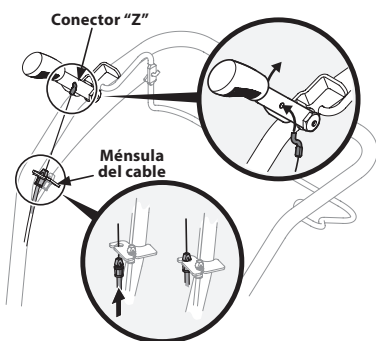


Figura 7

- Coloque el conector Z dentro del orificio en el mango del embrague de marcha atrás desde el interior del mango hacia el exterior. Vea la Figura 7.

Instalación de control de parada de emergencia (Si está equipado)

⚠ ADVERTENCIA

Adopte extrema precaución cuando vaya marcha atrás o cuando jale de la máquina hacia usted. Para evitar quedar anclado contra una estructura, asegúrese de mantener una distancia adecuada antes de desplazarse marcha atrás cerca de un muro o de una cerca. Para las máquinas equipadas con marcha atrás impulsada, familiarícese con el funcionamiento del control de parada de emergencia. Proporciona un modo de detener el suministro de energía a los dientes y a la transmisión de las ruedas en situación de emergencia.

- Ubique el control de parada de emergencia en el lado derecho de la unidad, detrás del motor.
- Dirija el cable del control de parada de emergencia hacia arriba, por la parte exterior del soporte de la manija inferior del lado derecho y por el soporte de la manija del lado derecho. Asegure el cable a la manija y sosténgalo con un precinto, levemente por encima del soporte. Consulte la Figura 8.

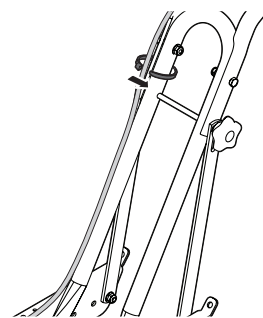


Figura 8

- Dirija el cable por la manija superior, luego detrás del panel de la manija asegurándolo en el lado derecho de la manija con los cables del embrague en la esquina superior del panel. Consulte la Figura 9.
- Dirija el cable detrás del panel hasta la manija del lado izquierdo y asegúrelo justo encima de la esquina superior del panel con un precinto. (Mantenga el cable ubicado a lo largo del interior de la manija). Consulte la Figura 10.

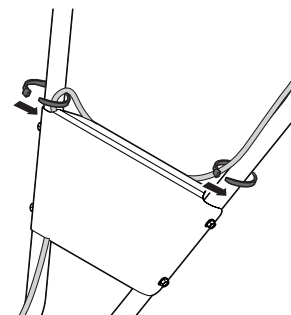


Figura 9

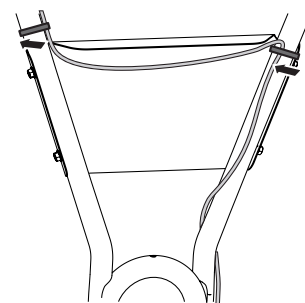


Figura 10

MONTAJE Y CONFIGURACIÓN

5. Instale el interruptor de ENCENDIDO/APAGADO del control de parada de emergencia en el lado izquierdo de la manija con el perno hexagonal N.º 10-32 : 1.50 y la contratuerca con brida 10-32. Consulte 1 en la Figura 11.

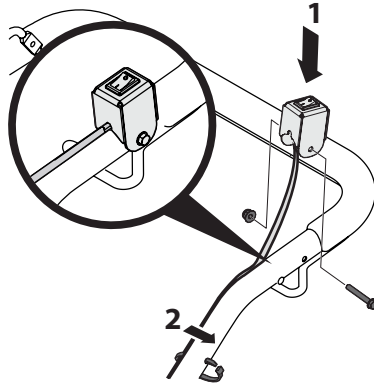


Figura 11

6. Finalmente, asegure el cable cerca de la parte inferior de la barra de control con pasando un cable en forma de lazo a través del orificio ubicado al lado de la etiqueta de instrucciones de la barra de control izquierda. Consulte 2 en la Figura 11.

NOTA: No permita que el cable cubra la etiqueta de seguridad pegada a la manija de la cultivadora Super Bronco. La etiqueta debe ser totalmente visible y legible.

Carga de gas y aceite

⚠ ADVERTENCIA

Tenga mucho cuidado al trabajar con gasolina. La gasolina es sumamente inflamable y sus vapores pueden causar explosiones. Nunca agregue combustible a la máquina en interiores ni mientras el motor está caliente o en funcionamiento. Apague cigarrillos, cigarras, pipas y otras fuentes de combustión.

Cargue el motor con gasolina y aceite como se indica en el manual del operador del motor que viene embalado por separado con su cultivadora. Lea las instrucciones con atención.

Saque la cultivadora de la caja de embalaje

Para deslizar la cultivadora fuera de la plataforma de embarque, coloque las ruedas en posición "ruedas libres", según se indica a continuación:

1. Coloque un bloque resistente debajo de la transmisión para elevar una rueda aproximadamente a 1 pulgada del suelo.
2. Retire el pasador de transmisión de la rueda del cubo de la rueda y eje de la rueda. Vea la Figura 12.

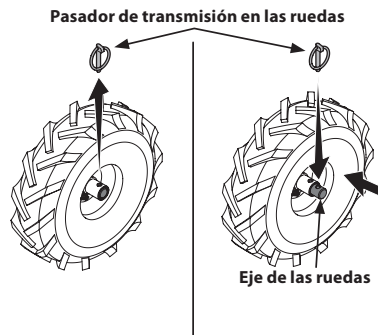


Figura 12

3. Deslice la rueda totalmente hacia adentro en el eje de la rueda. Reinstale el pasador de transmisión en las ruedas a través del eje de la rueda únicamente (no a través del cubo de la rueda). Vea Figura 12. Ahora, la rueda debe girar libremente (ruedas libres) sobre el eje de la rueda. Repita el procedimiento con la otra rueda.
4. Use el manillar para hacer rodar la cultivadora hasta un área plana.

NOTA: Antes de arrancar el motor, las ruedas se deben colocar en la posición TRANSMISIÓN EN LAS RUEDAS (pasadores a través de los cubos de las ruedas y del eje de las ruedas).

Configuración

Presión de los neumáticos

Verifique la presión de aire con un manómetro para neumáticos. Infle o desinfe los neumáticos en forma uniforme entre 15 y 20 PSI.

NOTA: Asegúrese que los dos neumáticos estén inflados en forma pareja o la cultivadora tirará hacia un lado.

CONTROLES Y FUNCIONAMIENTO

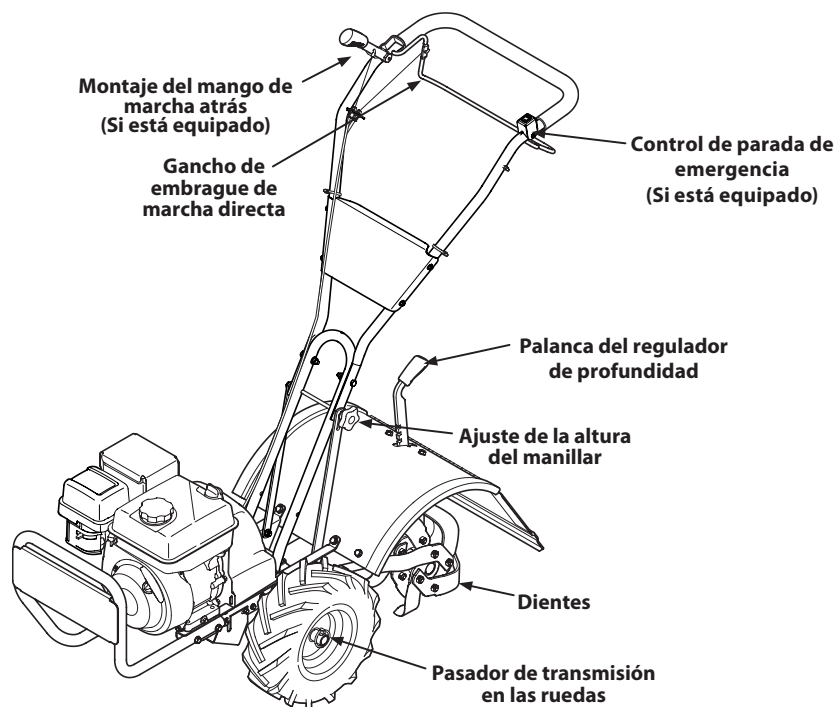


Figure 13

NOTA: Este manual de operación cubre distintos modelos de cultivadora de jardín. La cultivadora que se exhibe aquí puede diferir de la suya.

Controles del motor

Para obtener información detallada sobre todos los controles del motor consulte el manual del operador del motor que se entrega por separado.

Pasadores de transmisión en las ruedas

Cada rueda está equipada con una uña de arrastre que sujeta la rueda a su eje. Las ruedas se pueden posicionar ya sea en el modo transmisión en las ruedas o ruedas libres.

Gancho de embrague de marcha directa

El gancho del embrague de marcha directa controla el engranado de la marcha directa en las ruedas y dientes.

Montaje del mango de marcha atrás (Si lo tiene)

El gancho del embrague de marcha atrás controla el engranado de la marcha atrás en las ruedas y dientes.

Palanca del regulador de profundidad

Esta palanca controla la profundidad de labranza de los dientes. Tire la palanca hacia atrás y deslícela hacia arriba o hacia abajo para engranar las muescas de los ajustes de altura.

Ajuste de la altura del manillar

La altura del manillar tiene tres ajustes diferentes. En general, ajuste los manillares de modo que queden al nivel de la cintura cuando los dientes están a 3"-4" dentro del suelo.

Control de parada de emergencia (Si está equipado)

Se usa el control de parada de emergencia del motor para quitar el motor por el lugar del operador.

NOTA: Algunos modelos de motor también vienen equipados con un interruptor de ACTIVACIÓN/DESACTIVACIÓN de encendido. Consulte el manual del operador del motor.

⚠ ADVERTENCIA

Antes de hacer funcionar la máquina, lea con atención este manual y todas las instrucciones de las secciones de seguridad, funcionamiento y mantenimiento, además de todas las calcomanías que se encuentran en la máquina. Si no se observan estas instrucciones se pueden producir lesiones personales graves.

Introducción

Antes de arrancar el motor lea esta sección sobre Funcionamiento y el Manual del Operador del Motor. Luego tómese el tiempo necesario para familiarizarse con el funcionamiento básico de la cultivadora antes de usarla en el jardín.

Busque un área abierta y nivelada y practique el uso de los controles de la cultivadora sin que los dientes engranen en el suelo (coloque los dientes en la configuración "transporte").

Únicamente después de haberse familiarizado completamente con la cultivadora podrá comenzar a usarla en el jardín.

Funcionamiento inicial

Realice el siguiente mantenimiento después de las primeras cinco (5) horas de funcionamiento inicial (vea la sección de Servicio de este manual).

1. Cambie el aceite del motor.
2. Verifique si hay alguna pieza suelta o faltante en la unidad. Ajuste o reemplace según sea necesario.
3. Verifique el nivel de aceite para engranajes de la transmisión. Vea la sección Servicio.

Encendido del motor

Lista de verificación previa al arranque

Con el cable de la bujía desconectado de la bujía, realice los siguientes controles y servicios antes de usar la máquina:

1. Lea las Medidas importantes de seguridad y la sección Controles y Funcionamiento de este manual. Lea el Manual del operador del motor que se entrega con la cultivadora.
2. Coloque las ruedas en la posición transmisión en las ruedas (los pasadores de las ruedas deben atravesar los orificios de los cubos y del eje de las ruedas).

⚠ ADVERTENCIA

Nunca deje que ninguna de las ruedas se encuentre en posición ruedas libres mientras el motor está en funcionamiento. Siempre coloque las dos ruedas en la posición transmisión en las ruedas antes de arrancar el motor. Si no se cumple esta indicación, se podría producir la pérdida del control de la cultivadora, daños materiales o lesiones personales.

3. Verifique si la cultivadora tiene alguna pieza metálica suelta o faltante. Realice el mantenimiento según sea necesario.
4. Revise el nivel de aceite del motor. Vea el Manual del operador del motor.
5. Verifique que todas las guardas y cubiertas de seguridad se encuentren en su lugar.
6. Verifique el filtro de aire y el sistema de enfriamiento del motor. Vea el Manual del operador del motor.

CONTROLES Y FUNCIONAMIENTO

7. Llene el tanque de gasolina de acuerdo con las instrucciones del Manual del operador del motor que se entrega por separado. Siga todas las instrucciones y normas de seguridad atentamente.
8. Conecte el cable de la bujía a la misma, en caso de ser necesario.

Encendido del motor

⚠ ADVERTENCIA

Para ayudar a evitar lesiones personales graves o daños al equipo, coloque ambas ruedas en la posición TRANSMISIÓN EN LAS RUEDAS. Nunca deje las ruedas en la posición RUEDAS LIBRES mientras el motor está en funcionamiento. Cuando las ruedas están en posición RUEDAS LIBRES, no retienen a la cultivadora y los dientes pueden propulsarla rápidamente hacia adelante o hacia atrás. Ponga el gancho de embrague de marcha directa en neutral (desengranado) soltando la palanca.

⚠ ADVERTENCIA

Nunca encienda el motor en espacios cerrados o en una zona poco ventilada. El escape del motor contiene monóxido de carbono, un gas inodoro y letal. Evite el silenciador del motor y áreas cercanas. Las temperaturas de estas áreas pueden exceder 150° F.

1. Complete la Lista de control previa al arranque que aparece en esta página.
2. Coloque las ruedas en la posición transmisión en las ruedas.
3. Mueva la palanca del regulador de profundidad totalmente hacia abajo a la posición "de desplazamiento", de modo que los dientes estén separados del suelo. Para cambiar el ajuste de profundidad, tire hacia atrás la palanca del regulador de profundidad (A) y coloque hacia arriba o hacia abajo (B), luego libere la palanca (C) para asegurar en la posición deseada. Vea la Figura 14.
4. Suelte todos los controles de la cultivadora.
5. Si la cultivadora viene equipada con un control de parada de emergencia del motor, asegúrese de que el interruptor esté en la posición de encendido ACTIVADA antes de intentar encender la cultivadora. Vea la Figura 15.
6. Encienda el motor, tal como se indicó anteriormente en este Manual del Operador del Motor.

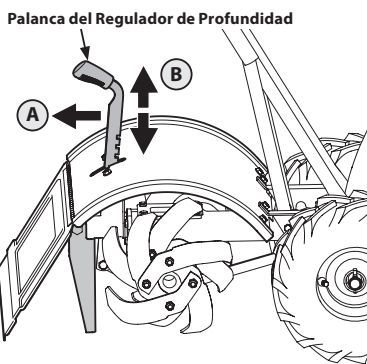


Figura 14

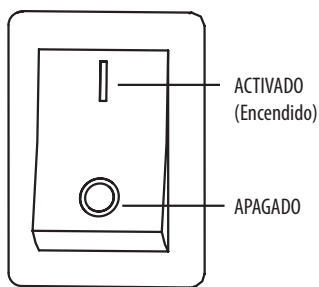


Figura 15

IMPORTANTE: Antes de cada uso, y si la cultivadora está equipada con un control de parada de emergencia del motor, compruebe que la función de control de detención funcione correctamente moviendo el interruptor hasta la posición DESACTIVADO con el motor en funcionamiento. Solo continúe con la operación si el interruptor detiene el motor.

Detención del motor

1. Para detener las ruedas y los dientes, suelte el gancho del embrague de marcha directa.
2. Consulte el Manual del Operador del Motor para más instrucciones sobre cómo detener el motor.

Usando el control de parada de emergencia (Si está equipado)

Mueva el interruptor de control de parada a la posición de APAGADO. Vea la Figura 15.

Para Dedicar la Impulsión y los Dientes

1. Para el movimiento de las ruedas hacia adelante y la potencia en los dientes Jale el gancho del embrague de marcha directa hacia arriba contra la barra de control. Suelte el gancho para detener el movimiento hacia adelante de las ruedas y los dientes.
2. Cuando realiza la labranza, distiéndase y deje que las ruedas tiren de la unidad mientras los dientes cavan. Camine detrás, levemente hacia un lado de la unidad. Use una mano, pero sujete la barra de control de forma ligera – aunque firme (mientras deja el brazo flojo). Vea la Figura 16. Deje que la unidad se mueva a su propio ritmo y no empuje hacia abajo en las barras de control para intentar forzar los dientes para que caven más profundo – esto quita peso a las ruedas y reduce la tracción.

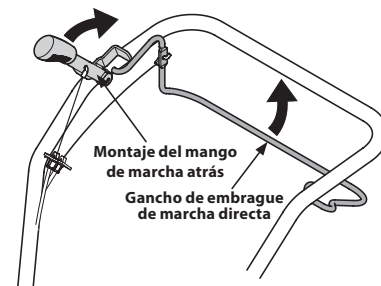


Figura 16

⚠ ADVERTENCIA

No empuje hacia abajo sobre las barras de control para intentar hacer que la cultivadora labore más profundo. Esto evita que las ruedas retengan la cultivadora y puede permitir a los dientes propulsar rápidamente la cultivadora hacia adelante, lo cual podría resultar en la pérdida de control, daños materiales o lesiones personales.

3. Para moverse en sentido inverso:
 - a. En los modelos con mango inversa:
 - Mire hacia atrás y tener precaución cuando se opera a la inversa. No hasta que, mientras que en sentido inverso.
 - Detener todo movimiento hacia adelante. Levante el manillar con una mano hasta que los dientes no toquen el suelo y luego tirar de la manija de vuelta atrás. Para detener la marcha atrás, dejar de lado el mango inversa.
 - Si distancias más largas deben ser cubiertos a la inversa, apague el motor, coloque las dos ruedas en rueda libre.
 - b. En los modelos sin mango inversa:
 - Liberar la fianza de embrague de marcha adelante. A continuación, levante el manillar hasta que los dientes no toquen el suelo.
 - Gire el manillar hacia la izquierda para la rueda derecha tiene un "paso" hacia atrás. Siguiente golpe del manillar a la derecha para la izquierda de la rueda "pasos" hacia atrás. Repita si es necesario.
 - Si distancias más largas deben ser cubiertos a la inversa, apague el motor, coloque las dos ruedas en rueda libre.

CONTROLES Y FUNCIONAMIENTO

Dar la vuelta con la cultivadora

Practique dar la vuelta con la cultivadora en un área abierta y nivelada. Tenga cuidado para mantener los pies y las piernas lejos de los dientes.

1. Para comenzar a voltear, levante los manillares hasta que los dientes se separen del suelo y el motor y los dientes estén balanceados por encima de las ruedas. Vea la Figura 17.
2. Con la cultivadora equilibrada, empuje hacia el costado sobre el manillar en la dirección en que se está volteando. Vea la Figura 17.
3. Después de dar la vuelta, introduzca lentamente los dientes en el suelo para reiniciar la labranza. Vea la Figura 17.

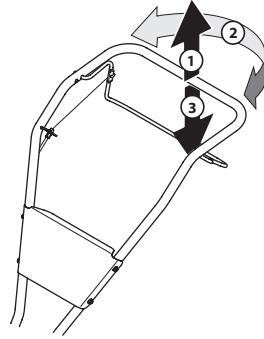


Figura 17

Limpieza de los dientes

⚠ ADVERTENCIA

Antes de despejar los dientes a mano, detenga el motor, deje que todas las partes en movimiento se detengan y desconecte el cable de la bujía. Si no se observa esta advertencia se pueden producir lesiones personales.

Los dientes tienen una acción autolimpiante que elimina la mayor parte de los desechos que se enredan. Sin embargo, a veces se pueden enredar los desechos. Siga estos procedimientos para ayudar a evitar que se formen marañas en los dientes y para limpiarlos, si es necesario.

- Trate de realizar la labranza debajo de los residuos de cosecha o cultivos de cobertura mientras están verdes, húmedos y tiernos.
- Mientras realiza la labranza, trate de balancear las barras control de un lado al otro (aproximadamente entre 6 y 12 pulgadas). La acción de "colead" a menudo despeja los dientes desprendiendo los desechos.

Sugerencias y técnicas para la labranza

La profundidad de la labranza

⚠ ADVERTENCIA

Antes de la labranza, póngase en contacto con la compañía telefónica o de servicios y pregunte si se encuentra equipamiento o líneas subterráneas en su terreno. No realice labranza cerca de donde hay cables eléctricos, líneas telefónicas, caños o mangueras enterrados.

- Esta es una cultivadora de "dientes que rotan en sentido contrario" (CRT). A medida que las ruedas tiran hacia adelante, los dientes rotan hacia atrás. Esto crea una acción de "gancho" de los dientes que cavan en profundidad, arrancando de raíz suelo y malezas. No sobrecargue el motor, pero cave lo más profundo posible en cada pasada. En pasadas posteriores, las ruedas pueden tender a girar en el fango blando. Ayúdelas levantando ligeramente el manillar (una mano, la palma hacia arriba, funciona con mucha facilidad).
- Evite la tentación de hacer presión sobre los manillares para forzar a la cultivadora a cavar más profundo. Esto quita peso a las ruedas con potencia, haciéndoles perder tracción. Sin las ruedas para retener la cultivadora, los dientes intentarán propulsar la cultivadora hacia atrás, hacia el operador.

- Al realizar tareas de labranza (rompiendo la superficie de suelo alrededor de las plantas para destruir las malezas, vea la Figura 18), ajuste los dientes para cavar únicamente a una profundidad de 1" a 2". La labranza a poca profundidad ayuda a evitar lesiones a las plantas cuyas raíces a menudo crecen cerca de la superficie. Si es necesario, levante los manillares ligeramente para evitar que los dientes caven demasiado profundo. (La labranza regular no sólo elimina malezas, sino que además afloja y airea el suelo para mejor absorción de la humedad y crecimiento más rápido de las plantas). Si se riega el área del jardín unos cuantos días antes de la labranza se facilitará esta tarea; también se contribuye permitiendo al suelo recién trabajado asentarse por uno o dos días antes de la pasada final, profunda, de la cultivadora.

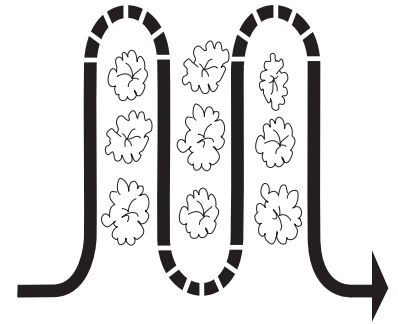


Figura 18

Carga y descarga de la cultivadora

⚠ ADVERTENCIA

La carga y descarga de la cultivadora en un vehículo es potencialmente peligrosa y no se recomienda a menos que sea absolutamente necesario, ya que esto podría resultar en lesiones personales o daños materiales.

Sin embargo, si debe cargar o descargar la cultivadora, siga las pautas que se suministran a continuación.

- Antes de cargarla o descargarla, apague el motor, espere a que todas las partes se detengan, desconecte el cable de la bujía y deje que el motor y el silenciador se enfríen.
- La cultivadora es demasiado pesada y voluminosa para que una persona la levante con seguridad. Dos o más personas deben repartirse la carga.
- Use rampas resistentes y haga rodar la cultivadora manualmente (con el motor apagado) para subirla o bajarla del vehículo. Para realizar esto se necesitan dos o más personas.
- Las rampas deben ser lo suficientemente fuertes como para soportar el peso combinado de la cultivadora y de los cargadores. Las rampas deben proporcionar buena tracción para evitar resbalones, deben tener rieles laterales para guiar la cultivadora a lo largo de las mismas y deben estar equipadas con un dispositivo de sujeción que las sujete al vehículo.
- Los cargadores deben usar calzado resistente que los ayude a evitar resbalones.
- Posicione el vehículo de carga de modo que el ángulo de la rampa sea lo más plano posible (cuanto menos inclinada sea la rampa, mejor). Apague el motor del vehículo y ponga el freno de estacionamiento.
- Al subir rampas, párese en posición de funcionamiento normal detrás de la cultivadora y empujela. Una persona a cada lado debe hacer girar las ruedas.
- Al bajar rampas, camine hacia atrás con la cultivadora en retaguardia. Manténgase alerta por si hay algún obstáculo detrás. Posicione una persona en cada rueda para controlar la velocidad de la cultivadora. Nunca baje la rampa con la cultivadora en primer lugar, ya que la máquina podría voltearse hacia adelante.
- Coloque bloques de madera del lado de las ruedas pendiente abajo si necesita detener la cultivadora mientras baja por la rampa. Además, use los bloques para mantener la cultivadora temporalmente en su lugar en las rampas (en caso de ser necesario), y para calzar las ruedas en su lugar una vez que la cultivadora se encuentre en el vehículo.
- Después de cargar la cultivadora, evite que la misma ruede engranando las ruedas en la posición transmisión en las ruedas. Calce las ruedas con bloques y amarre la cultivadora con firmeza.

SERVICIO

⚠ ADVERTENCIA

Antes de inspeccionar, limpiar o realizar el mantenimiento de la máquina, apague el motor, espere a que todas las partes en movimiento se detengan completamente, desconecte el cable de la bujía y aleje el cable de la bujía. Si no se observan estas instrucciones se pueden producir lesiones personales graves o daños materiales.

Mantenimiento

Motor

Consulte el manual de operación del motor embalado con la máquina para ver el mantenimiento del motor.

Presión de los neumáticos

Verifique la presión de aire en los dos neumáticos. La presión de aire se debe encontrar entre 15 PSI y 20 PSI. Mantenga los dos neumáticos inflados de forma pareja para evitar que la máquina tire hacia un lado.

Piezas metálicas

Verifique si hay piezas metálicas sueltas o faltantes cada 10 horas de operación y ajústelas o cámbielas (según sea necesario) antes de volver a usar la cultivadora.

Asegúrese de inspeccionar los tornillos que están debajo de la cubierta de la cultivadora que sujetan la cubierta de la transmisión y la palanca del regulador de profundidad a la transmisión.

Lubricación

Después de cada 10 horas de funcionamiento, aceite o engrase los puntos de lubricación que se muestran en la Figura 19.

Use aceite lubricante limpio (es adecuado el aceite para motores de peso #30) y grasa de uso general limpia (es preferible grasa que contenga un lubricante de metal, si lo hay).

- Retire las ruedas, limpie el eje de las ruedas y aplíquelo una capa delgada de grasa.
- Engrase la parte posterior, el frente y los lados de la palanca del regulador de profundidad.
- Retire los dientes y limpie el eje de los dientes. Use una lima o papel de lija para quitar suavemente cualquier óxido, rebabas o asperezas (especialmente alrededor de los orificios del eje). Aplique grasa a los extremos del eje antes de instalar los dientes.
- Aceite las roscas de los tornillos de ajuste de altura del manillar y los tornillos de sujeción del manillar.

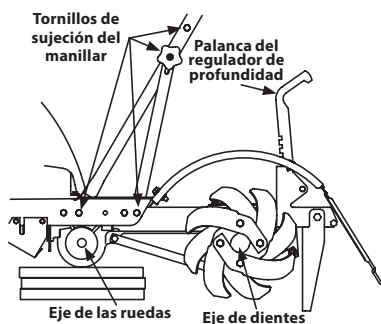


Figura 19

Aceite para engranajes de la transmisión

Verifique el aceite del engranaje de la transmisión cada 30 horas de funcionamiento o cada vez que advierta una pérdida de aceite. Si se opera la cultivadora cuando el nivel de aceite de la transmisión es bajo se pueden producir daños graves.

Para verificar el nivel de aceite del engranaje de la transmisión:

1. Verifique el nivel de aceite del engranaje cuando la transmisión está fría. El aceite del engranaje se expande con el calor y esta expansión distorsiona la lectura del nivel de aceite.

2. Con la cultivadora nivelada, tire de la palanca del regulador de profundidad totalmente hacia arriba.

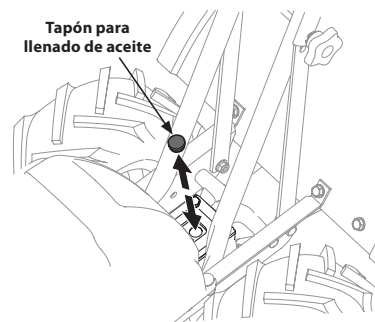


Figura 20

3. Limpie el área alrededor del tapón de llenado de aceite. Vea la Figura 20.
4. Saque el tapón de llenado de aceite del alojamiento de la transmisión y mire adentro del orificio de llenado para ubicar el eje de la transmisión principal situado debajo del orificio. Vea la Figura 20.
5. El nivel de aceite del engranaje es el correcto si alcanza aproximadamente hasta la mitad del lado del eje de transmisión principal.
6. Si el nivel de aceite del engranaje está bajo, agregue aceite como se describe a continuación. Si el nivel de aceite del engranaje es correcto, vuelva a colocar el tapón de llenado de aceite.
7. Al agregar aceite de engranaje, utilice Synthetic 75W 140.
8. Mientras controla frecuentemente para evitar sobrellenado, agregue el aceite para engranajes por el orificio de llenado hasta que alcance el punto medio del eje de transmisión.
9. Vuelva a colocar y ajustar el tapón de llenado de aceite.

Almacenamiento fuera de temporada

Si la cultivadora no se va a usar durante un período prolongado, prepárela para el almacenamiento de la siguiente forma:

1. Limpie la cultivadora y el motor.
2. Realice la lubricación de rutina de la cultivadora y verifique si hay partes o piezas metálicas sueltas.
3. Proteja el motor y realice el mantenimiento de motor recomendado de acuerdo con las instrucciones para el almacenamiento que se encuentran en el manual de operación del motor. Asegúrese de proteger las líneas de combustible, el carburador y el tanque de combustible contra los depósitos de goma, retirando el combustible o tratando el mismo con un estabilizador de combustible (siga las recomendaciones del fabricante del motor).
4. Almacene la cultivadora en un área limpia y seca.
5. Nunca almacene la cultivadora con combustible en el tanque en un área cerrada donde las emanaciones de la gasolina pueden alcanzar una llama expuesta o chispas, o donde hubiere fuentes de encendido (calefactores, calentadores de agua, hornos, etc.).

Cambio de correa

Si es necesario cambiar la correa de transmisión de marcha atrás, vea al distribuidor local autorizado o consulte el suplemento separado para obtener información sobre pedidos. Use únicamente correas autorizadas por el fabricante, ya que las correas genéricas pueden no desempeñarse satisfactoriamente. El procedimiento requiere habilidad mecánica media y herramientas habitualmente disponibles.

NOTA: Cuando reinstale la cubierta de la correa, asegúrese de acoplar el gancho y retenerlo para que la correa de transmisión esté ajustada antes de intentar reinstalar la cubierta. De este modo la correa se encontrará debajo del mecanismo guardacorrea incorporado a la cubierta. De lo contrario se puede dañar la correa y/o la cubierta de la correa.

Dientes

Los dientes bolo se desgastan con el uso y se los debe inspeccionar al comienzo de cada temporada de labranza y a intervalos de 30 horas de funcionamiento. Los dientes se pueden cambiar individualmente o como juego completo. Consulte el suplemento separado para identificar los dientes y sus números de piezas.

Inspección de los dientes

Con el uso, los dientes se acortan, se angostan y vuelven puntiagudos. El uso de dientes muy desgastados resultará en pérdida de profundidad de la labranza y en menor eficacia para cortar y girar debajo de la materia orgánica.

Consulte la Figura 21 para ver los siguientes procedimientos de los dientes.

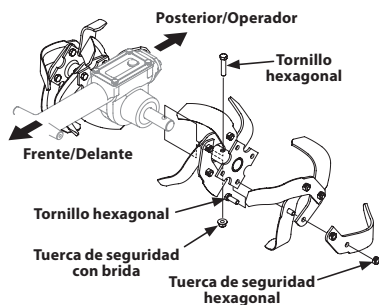


Figura 21

Retiro/Instalación de un solo diente

1. Con el motor apagado y el cable de la bujía desconectado, retire los dos tornillos hexagonales (3/8-16 x 1.00) y las tuercas de seguridad hexagonales (3/8-16) que unen un solo diente al soporte de dientes. De ser necesario, use aceite penetrante en las tuercas.
2. Cuando instale un solo diente, asegúrese que lo posición de modo que su borde cortante (filoso) penetre el suelo primero a medida que la cultivadora se mueve hacia adelante.

Retiro/Instalación de un conjunto de dientes:

1. Un conjunto de dientes comprende ocho dientes montados en un soporte de dientes.
2. Si retira los dos conjuntos de dientes, antes de hacerlo márkuelos para identificarlos como "izquierdo" y "derecho". Retire el tornillo hexagonal (3/8-16 x 1.75) y tuerca de seguridad de brida (3/8-16) que aseguran el conjunto de dientes al eje del diente. De ser necesario, use una maza de goma para golpear el conjunto de dientes y desplazarlo hacia afuera del eje.
3. Antes de volver a instalar el conjunto de dientes, inspeccione el eje de los dientes para verificar si hay óxido, asperezas o rebabas. Lime o lije ligeramente, según sea necesario. Aplique al eje una capa delgada de grasa.
4. Instale cada conjunto de dientes de modo que el borde cortante (filoso) de los dientes penetre el suelo primero cuando la cultivadora se mueva hacia adelante. Fije el conjunto de dientes al eje de dientes usando el tornillo y la tuerca de seguridad.

Cambio de aceite del engranaje de la transmisión

NOTA: El aceite del engranaje de la transmisión no necesita ser cambiado a menos que se contamine con suciedad, arena o partículas de metal.

1. Vacíe la gasolina del tanque o haga funcionar el motor hasta que el tanque de combustible esté vacío.
2. Drene el aceite del motor.

3. Retire el tornillo de la arandela hexagonal (1/4-20 x .500) y la arandela plana (.28 x .74 x .500) del lado izquierdo de la cubierta de la correa y el tornillo de la arandela hexagonal (1/4-20 x .500) del lado derecho de la cubierta de la correa. Extraiga la cubierta de la correa. Vea la Figura 22.

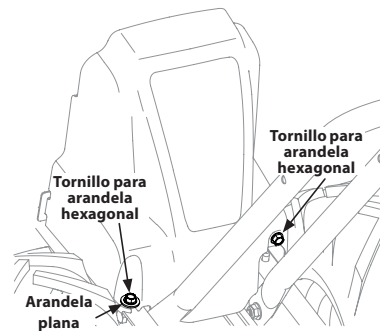


Figura 22

4. Retire toda la suciedad y limpie el área alrededor de la cubierta de transmisión. Vea la Figura 23.
5. Retire los cuatro tornillos hexagonales (5/16-18 x .75) asegurando la cubierta de la transmisión al eje de la transmisión y retire la cubierta. Vea la Figura 23.

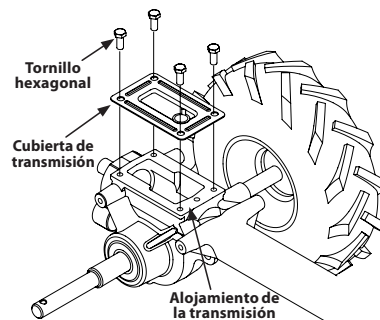


Figura 23

6. Retire la rueda del lado izquierdo. Incline el eje de la rueda del lado izquierdo sobre una cubeta de drenaje y deje que el aceite de engranajes drene a través de la parte superior de la transmisión.
7. Vuelva a instalar la rueda y reinstale la cubierta de transmisión.
8. Vuelva a llenar la transmisión utilizando Synthetic 75W 140. Vuelva a llenar el motor con aceite del motor y llene por completo el depósito de combustible con gasolina.
9. Reinstale la cubierta de la correa.

SOLUCIÓN DE PROBLEMAS

| Problema | Causa | Solución |
|----------------------------------------------|-------------------------------------------------------------------------------------------------------------------------------------------------------------------------------------------------------------------------------------------------------------------------------|-------------------------------------------------------------------------------------------------------------------------------------------------------------------------------------------------------------------------------------------|
| Las ruedas y los dientes no giran | <ol style="list-style-type: none"> 1. Uso incorrecto de los controles. 2. Correa(s) de transmisión desgastada(s), rota(s) o mal ajustada(s). 3. Trasmisión interna desgastada o dañada. 4. Perno suelto en la polea de transmisión. | <ol style="list-style-type: none"> 1. Revise la sección de Controles y Funcionamiento. 2. Reemplace o ajuste las correas. 3. Contacte con su distribuidor local autorizado. 4. Ajuste el perno. |
| Los dientes giran, las ruedas no | <ol style="list-style-type: none"> 1. Los pasadores de transmisión en las ruedas no se encuentran en la posición TRANSMISIÓN EN LAS RUEDAS. 2. Perno suelto en la polea de transmisión. 3. Trasmisión interna desgastada o dañada. | <ol style="list-style-type: none"> 1. Inserte los pasadores de transmisión correctamente. 2. Ajuste el perno. 3. Contacte con su distribuidor local autorizado. |
| Las ruedas giran, los dientes no | <ol style="list-style-type: none"> 1. Falta pieza metálica para montar el soporte de dientes. 2. Perno suelto en la polea de transmisión. 3. Trasmisión interna desgastada o dañada. | <ol style="list-style-type: none"> 1. Reemplace la pieza metálica. 2. Ajuste el perno. 3. Contacte con su distribuidor local autorizado. |
| Rendimiento deficiente de la labranza | <ol style="list-style-type: none"> 1. Dientes desgastados. 2. Configuración incorrecta del regulador de profundidad. 3. Deslizamiento de la correa de transmisión de marcha directa. | <ol style="list-style-type: none"> 1. Reemplace los dientes. 2. Vea "Sugerencias y técnicas para la labranza". 3. Vea la sección Servicio. |