

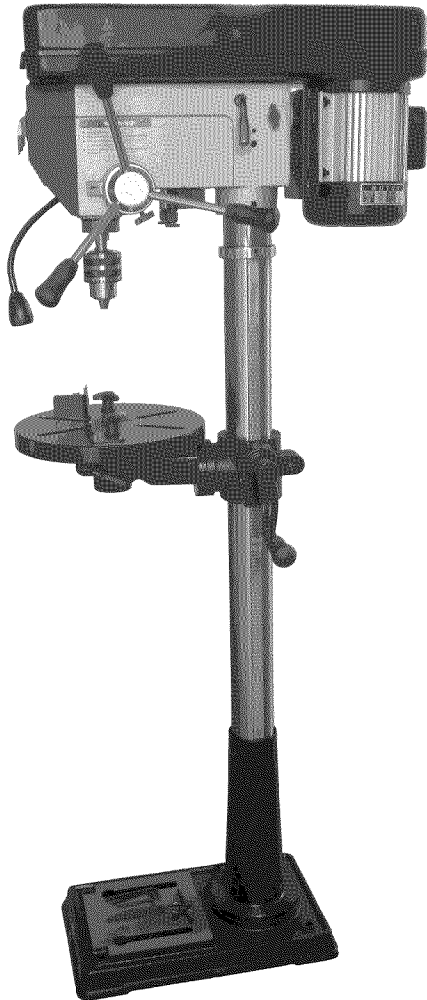
Operator's Manual



15-in. DRILL PRESS

3/4 HP MOTOR

Model 124.34984



CAUTION: Before using this product, read this manual and follow all its Safety Rules and Operating Instructions.

- Safety Instructions
- Assembly
- Operation
- Maintenance
- Troubleshooting
- Parts List
- Español

Sears Brands Management Corporation,
Hoffman Estates, IL 60179 U.S.A

TABLE OF CONTENTS

| | |
|------------------------------------|-------|
| Warranty..... | 2 |
| Safety Instructions..... | 2-3 |
| Specifications..... | 3 |
| Glossary of Terms..... | 4 |
| Safety..... | 5 |
| Accessories and Attachments..... | 6 |
| Carton Contents..... | 7 |
| Assembly..... | 8-9 |
| Adjustments..... | 10-12 |
| Operation..... | 13-14 |
| Maintenance & Troubleshooting..... | 15 |
| Parts Diagram..... | 16 |
| Parts Lists..... | 17-18 |
| Repair Protection Agreement..... | 19 |
| Español..... | 20 |

CRAFTSMAN ONE YEAR FULL WARRANTY

FOR ONE YEAR from the date of purchase, this product is warranted against any defects in material or workmanship. A defective product will receive free repair or replacement if repair is unavailable.

For warranty coverage details to obtain free repair or replacement, visit the web site: www.craftsman.com

This warranty is void if this product is ever used while providing commercial services or if rented to another person.

This warranty gives you specific legal rights, and you may also have other rights which vary from state to state.

Sears Brands Management Corporation, Hoffman Estates, IL 60179

Proposition 65 Warning:

WARNING: Some dust created by power sanding, sawing, grinding, drilling, and other construction activities contains chemicals known to the State of California to cause cancer and birth defects or other reproductive harm.

SAFETY INSTRUCTIONS

GENERAL SAFETY INSTRUCTIONS BEFORE USING THE DRILL PRESS

Safety is a combination of common sense, staying alert and knowing how to use this Drill Press.

WARNING: To avoid mistakes that could cause serious injury, do not plug the Drill Press in until you have read and understood the following:

1. **READ** and become familiar with the entire Operator's Manual. **LEARN** the tool's application, limitations and possible hazards.
2. **KEEP GUARDS IN PLACE** and in working order.
3. **REMOVE ADJUSTING KEYS AND WRENCHES.** Form a habit of checking to see that keys and adjusting wrenches are removed from the tool before turning ON.
4. **KEEP WORK AREA CLEAN.** Cluttered areas and benches invite accidents.
5. **DON'T USE IN DANGEROUS ENVIRONMENT.** Don't use power tools in damp or wet locations, or expose them to rain. Keep work area well lit.
6. **KEEP CHILDREN AWAY.** All visitors should be kept at a safe distance from work area.
7. **MAKE WORKSHOP CHILDPROOF** with padlocks.
8. **DON'T FORCE THE TOOL.** It will do the job better and safer at the rate for which it was designed.
9. **USE THE RIGHT TOOL.** Do not force tool or attachment to do a job for which it was not designed.
10. **USE PROPER EXTENSION CORD.** Make sure your extension cord is in good condition. When using an extension cord, be sure to use one heavy enough to carry the current your product will draw. An undersized cord will result in a drop in line voltage and in loss of power that will cause the tool to overheat.
11. **WEAR PROPER APPAREL.** Do not wear loose clothing, gloves, neckties, rings, bracelets, or other jewelry that may get caught in moving parts. Nonslip footwear is recommended. Wear protective hair covering to contain long hair.
12. **ALWAYS WEAR EYE PROTECTION.** Any Drill Press can throw foreign objects into the eyes that could cause permanent eye damage. **ALWAYS** wear Safety Goggles (not glasses). Everyday eyeglasses have only impact-resistance lenses. They **ARE NOT** safety glasses.
13. **SECURE WORK.** Use clamps or a vise to hold work when practical. It's safer than using your hand and it frees both hands to operate tool.
14. **DISCONNECT TOOLS** before servicing; when changing accessories such as blades, bits, cutters, and the like.
15. **REDUCE THE RISK OF UNINTENTIONAL STARTING.** Make sure switch is in **OFF** position before plugging in.
16. **USE RECOMMENDED ACCESSORIES.** Consult the Operator's Manual for recommended accessories. The use of improper accessories may cause serious injury.

17. **NEVER STAND ON TOOL.** Serious injury could occur if the tool is tipped or if the cutting tool is unintentionally contacted.
18. **CHECK FOR DAMAGED PARTS.** Before further use of the tool, a guard or other part that is damaged should be carefully checked to determine that it will operate properly and perform its intended function – check for alignment of moving parts, binding of moving parts, breakage of parts, mounting, and any other conditions that may affect its operation. A guard or other part that is damaged should be properly repaired or replaced.
19. **NEVER LEAVE TOOL RUNNING UNATTENDED. TURN POWER “OFF”.** Don't leave tool until it comes to a complete stop.
20. **DON'T OVERREACH.** Keep proper footing and balance at all times.
21. **MAINTAIN TOOLS WITH CARE.** Keep tools sharp and clean for best and safest performance. Follow instructions for lubricating and changing accessories.
22. **DO NOT** use power tools in the presence of flammable liquids or gases.
23. **DO NOT OPERATE** the tool if you are under the influence of any drugs, alcohol or medication that could affect your ability to use the tool properly.
24. **ALWAYS** operate the Drill Press in a well-ventilated area and provide for proper dust removal. Use dust collection systems whenever possible. Dust generated from certain materials can be hazardous to your health.

SPECIFIC SAFETY INSTRUCTIONS FOR DRILL PRESS

WARNING: For your own safety, do not try to use your drill press or plug it in until it is completely assembled and installed according to the instructions, and until you have read and understood this instruction manual.

1. **THIS DRILL PRESS** is intended for use in dry conditions, indoor use only.
2. **WEAR EYE PROTECTION.** USE a face or dust mask along with safety goggles if drilling operation is dusty. USE ear protectors, especially during extended periods of operation.
3. **DO NOT** wear gloves, neckties, or loose clothing.
4. **DO NOT** try to drill material too small to be securely held.
5. **ALWAYS** keep hands out of the path of a drill bit. Avoid awkward hand positions where a sudden slip could cause your hand to move into the drill bit.
6. **DO NOT** install or use any drill bit that exceeds 175mm in length or extends 150mm below the chuck jaws. They can suddenly bend outward or break.
7. **DO NOT USE** wire wheels, router bits, shaper cutters, circle (fly) cutters, or rotary planers on this drill press.
8. **WHEN** cutting a large piece of material, make sure it is fully supported at the table height.
9. **DO NOT** perform any operation freehand. **ALWAYS** hold the workpiece firmly against the table so it will not rock or twist. Use clamps or a vise for unstable workpieces.
10. **MAKE SURE** there are no nails or foreign objects in the part of the workpiece to be drilled.
11. **CLAMP THE WORKPIECE OR BRACE IT** against the left side of the column to prevent rotation. If it is too short or the table is tilted, clamp it solidly to the table.
12. **IF THE WORKPIECE** overhangs the table such that it will fall or tip if not held, clamp it to the table or provide auxiliary support.
13. **SECURE THE WORK.** Use clamps or a vise to hold the work when practical. It's safer than using your hand and it frees both hands to operate tool.
14. **MAKE SURE** all clamps and locks are firmly tightened before drilling.
15. **SECURELY LOCK THE HEAD** and table support to the column, and the table to the table support before operating the drill press.
16. **NEVER** turn your drill press **ON** before clearing the table of all objects (tools, scraps of wood, etc.).
17. **BEFORE STARTING** the operation, jog the motor switch to make sure the drill bit does not wobble or vibrate.
18. **LET THE SPINDLE REACH FULL SPEED** before starting to drill. If your drill press makes an unfamiliar noise or if it vibrates excessively, stop immediately, turn the drill press **OFF** and unplug. Do not restart the unit until the problem is corrected.
19. **DO NOT** perform layout assembly or set up work on the table while the drill press is in operation.
20. **USE THE RECOMMENDED SPEED** for any drill press accessory and for different workpiece material.
21. **WHEN DRILLING** large diameter holes, clamp the workpiece firmly to the table. Otherwise, the bit may grab and spin the workpiece at high speeds. **DO NOT USE** fly cutters or multiple part hold cutters, as they can come apart or become unbalanced in use.
22. **MAKE SURE** the spindle has come to a complete stop before touching the workpiece.
23. **TO AVOID INJURY** from accidental starting, always turn the switch **OFF** and unplug the drill press before installing or removing any accessory or attachment or making any adjustment.

SPECIFICATIONS

| | | | |
|---------------------|----------------|---------------------|-------------------------------|
| Motor..... | 3/4 HP | Base Size..... | 18.11" x 11.02" / 460 X 280mm |
| Chuck..... | 0.63" / 16mm | Column..... | 2.83" / 72mm |
| Spindle Travel..... | 3.23" / 82mm | Swing..... | 14.17" / 360mm |
| Spindle Taper..... | MT2 | Total Height..... | 61.61" / 1565mm |
| Speed Change..... | 16 | Weight..... | 137.79LBS / 62.5kg |
| Speeds..... | 240 / 3470 rpm | Box Dimensions..... | 45.28X19.69"X11.81" |

SAVE THESE INSTRUCTIONS.
Refer to them often.

GLOSSARY OF TERMS

BASE – Supports drill press. For additional stability, holes are provided in base to bolt drill press to bench.

BACKUP MATERIAL – A piece of scrap wood placed between the workpiece and table. The backup board prevents wood in the workpiece from splintering when the drill passes through the backside of the workpiece. It also prevents drilling into the table top.

HEAD ASSEMBLY – Covers the pulleys and belt during operation of the drill press.

BELT TENSION – Refer to the Assembly Section, “Installing and Tensioning Belt”.

BELT TENSION LOCK KNOBS – Tightening the knobs locks the motor bracket support and the belt tension handle, maintaining correct belt distance and tension.

BEVEL SCALE – Shows degree of table tilt for bevel operations. The scale is mounted on the side of the table bracket.

CHUCK – Holds a drill bit or other recommended accessory to perform desired operations.

CHUCK KEY – A self-ejecting chuck key which will pop out of the chuck when you let go of it. This action is designed to help prevent throwing of the chuck key from the chuck when the power is turned ON. Do not use any other key as a substitute; order a new one if Damaged or Lost.

COLUMN – Connects the head, table, and base on a one piece tube for easy alignment and movement.

COLUMN COLLAR – Holds the rack to the column. The rack remains movable in the collar to permit table support movements.

COLUMN SUPPORT – Supports the column, guides the rack and provides mounting holes for the column to the base.

DEPTH SCALE STOP NUTS – Lock the spindle to a selected depth.

DEPTH SCALE – Indicates depth of hole being drilled.

DRILL BIT – The cutting tool used in the drill press to make holes in a workpiece.

DRILL ON/OFF SWITCH – Has a locking feature. This feature is intended to help prevent unauthorized and possible hazardous use by children and others. Insert the key into the switch to turn the drill press on.

DRILLING SPEED – Changed by placing the belt in any of the steps (grooves) in the pulleys. See the Spindle Speed Chart inside belt guard or in the manual.

FEED HANDLE – Moves the chuck up or down. If necessary, one or two of the handles may be removed whenever the workpiece is of such unusual shape that it interferes with the handles.

RACK – Combines with gear mechanism to provide easy elevation of the table by the hand operated table crank.

RPM – Revolutions per minute. The number of turns completed by a spinning object in one minute.

SPINDLE SPEED – The RPM of the spindle.

SPRING CAP – Adjusts the spindle return spring tension.

TABLE BRACKET LOCKING HANDLE – Tightening locks the table support to the column. Always have it locked in place while operating the drill press.

TABLE – Provides a working surface to support the workpiece.

TABLE ARM – Extends beyond the table support for mounting and aligning the table.

TABLE TILT LOCK BOLT – Locks the table in any position from 0° to 45°.

TABLE CRANK – Elevates and lowers the table. Turn clockwise to elevate the table. Support lock must be released before operating the crank.

TABLE LOCK – Locks the table after it is rotated to various positions.

TABLE BRACKET – Rides on the column to support the table arm and table.

WORKPIECE – Material being drilled.

SAFETY

ELECTRICAL REQUIREMENTS

POWER SUPPLY AND MOTOR SPECIFICATIONS

WARNING: To avoid electrical hazards, fire hazards, or damage to the tool, use proper circuit protection. Use a separate electrical circuit for your tools. To avoid shock or fire, if power cord is worn or cut, or damaged in any way, have it replaced immediately.

GROUNDING INSTRUCTIONS

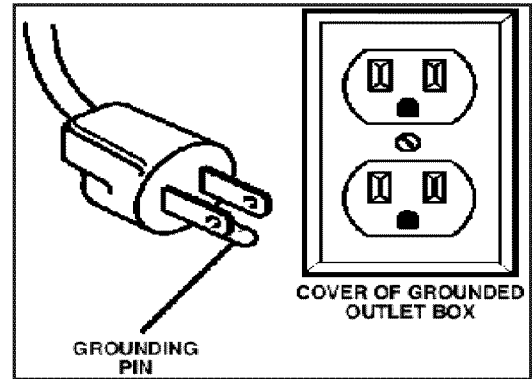
WARNING: This tool must be grounded while in use to protect the operator from electrical shock.

IN THE EVENT OF A MALFUNCTION OR BREAKDOWN, grounding provides a path of least resistance for electric current and reduces the risk of electric shock. This tool is equipped with an electric power cord that contains an equipment-grounding conductor wire and a 3-prong plug with a grounding pin. The plug **MUST** be plugged into a matching receptacle that is properly installed and grounded in accordance with **ALL** local codes and ordinances.

DO NOT MODIFY THE PLUG PROVIDED. If it will not fit the receptacle, have the proper receptacle installed by a qualified electrician.

IMPROPER CONNECTION of the power cord can result in risk of electric shock. If repair or replacement of the electric cord or plug is necessary, **DO NOT** plug it into an electrical outlet.

CHECK with a qualified electrician or service person if you do not completely understand the grounding instructions, or if you are not sure the tool is properly grounded.



WARNING: Improper connection of equipment grounding conductor can result in the risk of electrical shock. Equipment should be grounded while in use to protect operator from electrical shock.

- Check with a qualified electrician if you do not understand grounding instructions or if you are in doubt as to whether the tool is properly grounded.
- This tool is equipped with an approved cord and a 3-prong grounding type plug for your protection against shock hazards.
- Grounding plug should be plugged directly into a properly installed and grounded 3-prong grounding-type receptacle, as shown.
- Do not remove or alter grounding pin in any manner. In the event of a malfunction or breakdown, grounding provides a path of least resistance for electrical shock.

WARNING: This Drill Press is for indoor use only. Do not expose to rain or use in damp locations.

GUIDELINES FOR EXTENSION CORDS

USE PROPER EXTENSION CORD. Make sure your extension cord is in good condition. When using an extension cord, be sure to use one heavy enough to carry the current your product will draw. An undersized cord will cause a drop in line voltage, resulting in loss of power and cause overheating.

Be sure your extension cord is properly wired and in good condition. Always replace a damaged extension cord or have it repaired by a qualified person before using it. Protect your extension cords from sharp objects, excessive heat and damp or wet areas.

ACCESSORIES AND ATTACHMENTS

CARTON CONTENTS

UNPACKING AND CHECKING CONTENTS

Carefully unpack the Drill Press and all its parts, and compare against the illustration following.

WARNING:

- To avoid injury from unexpected starting, do not plug the power cord into a power source receptacle during unpacking and assembly. This cord must remain unplugged whenever you are assembling or adjusting the drill press.
- If any part is missing or damaged, do not plug the drill press in until the missing or damaged part is replaced, and assembly is complete.
- To protect the drill press from moisture, a protective coating has been applied to the machined surfaces.

Remove this coating with a soft cloth moistened with kerosene .

WARNING: To avoid fire or toxic reaction, never use gasoline, naphtha, acetone, lacquer thinner or similar highly volatile solvents to clean the drill press.

TABLE OF LOOSE PARTS

Unpack carton; check the machine to see parts listed below:

A. Main parts :

See Fig. 1

1. Head assembly
2. Column Assembly
3. Table
4. Base
5. ON/OFF Switch
6. Flexible Lamp

To turn on drill press, lift paddle switch from bottom.
To turn off drill press, push paddle switch down.

To prevent unauthorized use, remove the center key from the switch. **Figure 1B and 1C**

Drill press cannot be turned **ON** if key is not inserted.

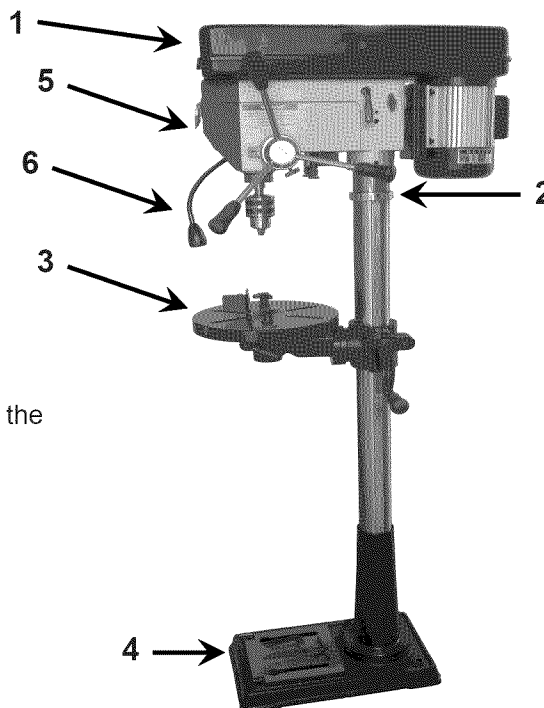


FIGURE 1

FIGURE 1B

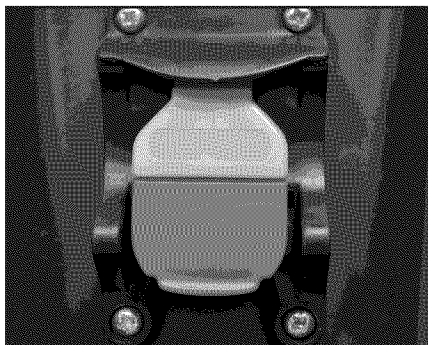
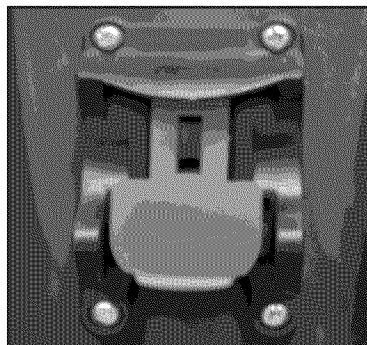


FIGURE 1C



CARTON CONTENTS

B. Accessories (in one separate box)

See Fig.2

- A. Feed handles
- B. Crank handle
- C. Hex wrenches
- D. Hex bolts
- E. Chuck key
- F. 5/8-inch Chuck and chuck removal tool
- G Table fence set

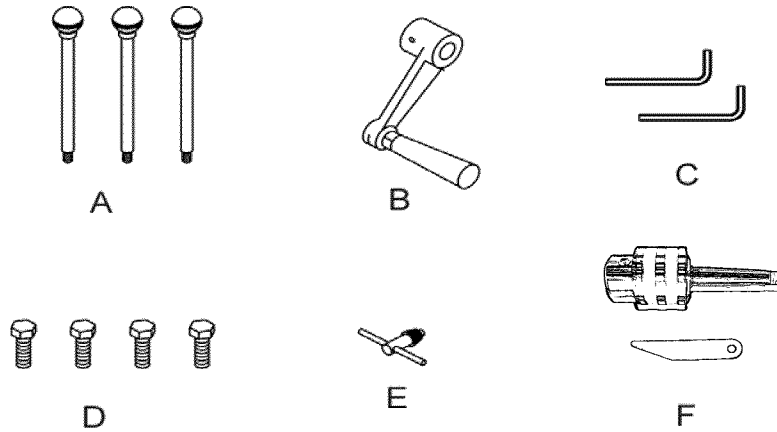
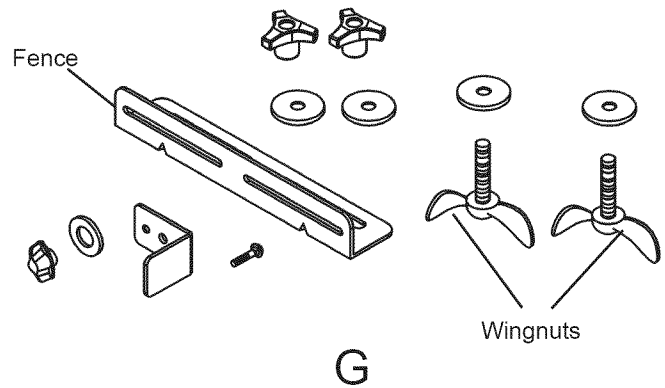
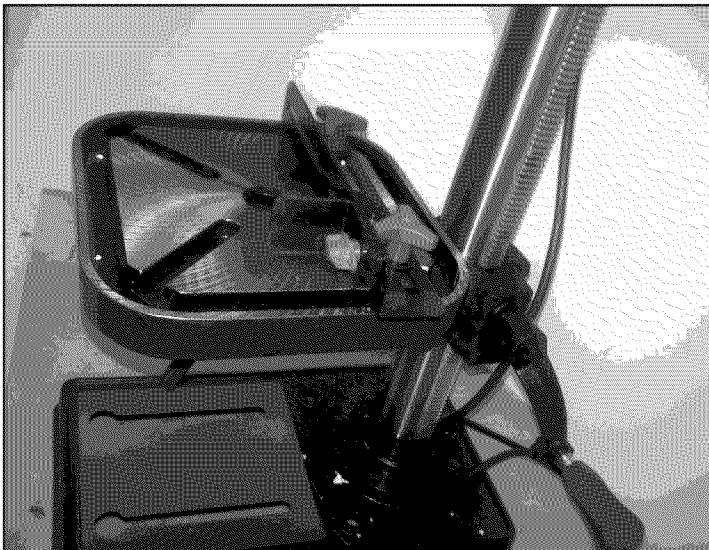


Table Fence

Use the supplied hardware to attach the fence to the table as shown in the picture below. Use the fence to align the workpiece and provide a backstop for secure drilling.

NOTE: Table pictured is different shape than equipped with product. Fence attaches through slots in the same manner.



ASSEMBLY

1. Column support to base

- 1.1 Position the base on floor or bench.
- 1.2 Place the column on the base, aligning the holes in the column support with the holes in the base.
- 1.3 Locate the four long hex bolts from the loose parts bag.
- 1.4 Place a bolt in each hole through the column support and the base. Tighten with an adjustable wrench. **See Fig. 1**

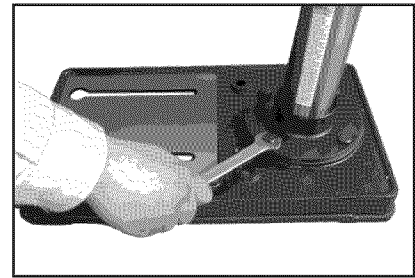


Figure 1

2. Installing the Table

- 2.1 Loosen set screw (1). Remove rack (2) and retaining ring (3) from column (4). **Fig. 2A**
- 2.2 Place rack inside table assembly bracket (5) with large, unmachined portion of rack to the top. Slide rack into slot in bracket so that teeth of rack engage pinion gear in bracket. **Fig. 2A**
- 2.3 Slide table assembly with rack over column. Place bottom end of rack inside beveled edge of column flange.
- 2.4 Slide rack retaining ring (3) over column with beveled edge down. Position ring against top of rack so that rack is in beveled edge of ring. **Fig. 2B** Secure ring with set screw (1). **Fig. 2C**
- 2.5 Rotate table assembly around column. Adjust rack retaining ring as necessary to prevent binding of rack.
- 2.6 Attach crank handle (6) to shaft (7), rotate to remove slack, and shoulder crank handle against table bracket. Secure handle with screw. **Fig. 2B**
- 2.7 Tighten table bracket locking handle (9) to secure table assembly. **Fig. 3**

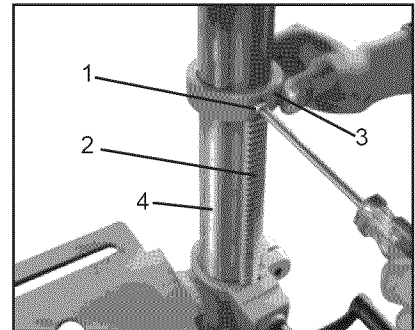


Figure 2C

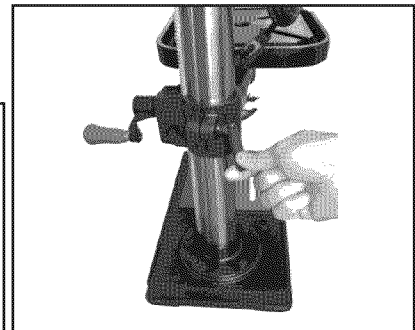


Figure 3

Figure 2A

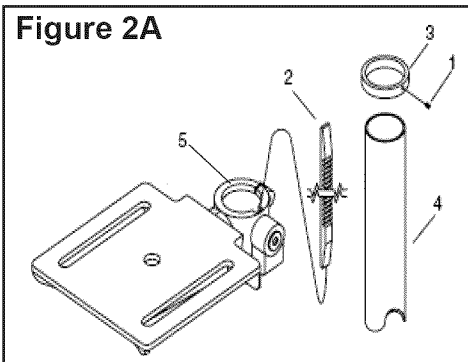
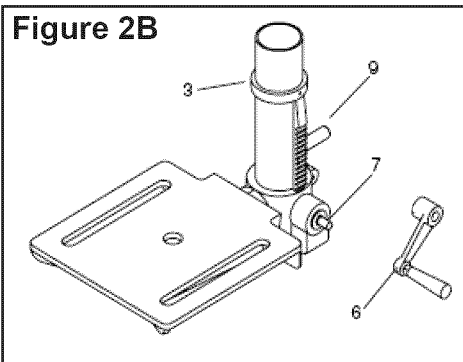


Figure 2B



3. Installing head assembly

- 3.1. Carefully lift the head above the column and slide it onto the column.
Make sure the head slides down over the column as far as possible.
Align the head with the base.
- 3.2. Using the hex wrench, tighten the head lock set screws.
See Fig. 4

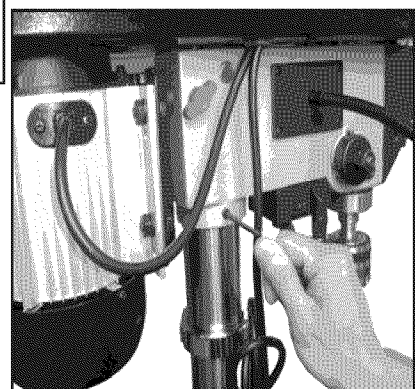


Figure 4

4. Installing feed handles

- 4.1. Locate the three feed handles in the loose parts box.
- 4.2. Screw the feed handles into the threaded holes in the hub.
Tighten.

See Fig. 5.

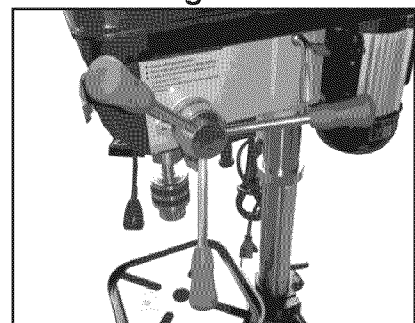


Figure 5

ASSEMBLY

5. Installing the chuck

WARNING: Before any assembly of the chuck and arbor to the drill press head, clean all mating surfaces with a non-petroleum based product; such as alcohol or lacquer thinner. Any oil or grease used in the packing of these parts must be removed; otherwise the chuck may come loose during operation.

- 5.1 Open the jaws of the chuck by rotating the chuck sleeve clockwise. To prevent damage, make sure the jaws are completely retracted into the chuck.
- 5.2 Push the chuck shaft into the spindle.
- 5.3 Use a wooden mallet to firmly tap the chuck securely into place in the spindle. **See Fig. 6.**

NOTE: To remove chuck perform the following:

- Rotate the chuck sleeve clockwise until the jaws retract completely into the chuck.
- Lower the spindle as far as it will go to reveal the spindle slot. **See Fig. 6A**
- Raise the table to a position just below the the chuck.
- Insert the tip of the chuck removal tool into the spindle slot above the tip of the chuck shaft.
- Tap on the blunt end of the wedge tool until the chuck releases from the spindle.

6. Install knob for the head assembly lid. Fig. 7

7. Flexible lamp

Install the flexible lamp

- 7.1. Connect the lamp plug contact to the power source plug contact in the drill head as shown.
- 7.2. Use four pan head screws to install the lamp assembly to the drill head as shown.
- 7.3. Turn on the flexible lamp switch to check the lighting. **Fig. 8**

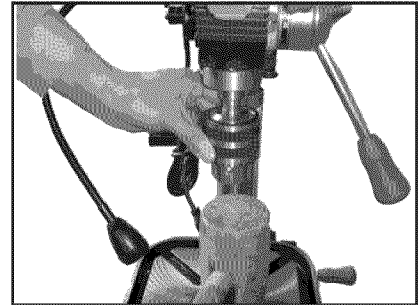


Figure 6

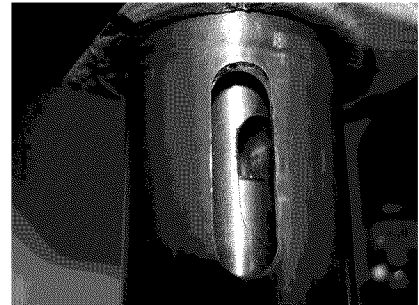


Figure 6A

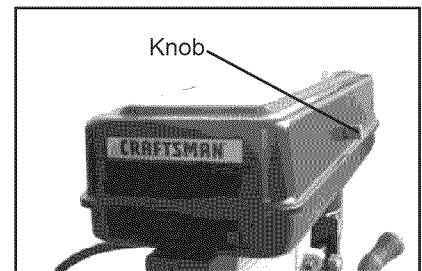


Figure 7

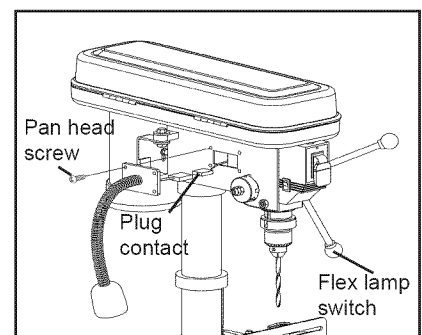


Figure 8

ADJUSTMENT

1. Table adjustment

A. Tilting adjustment

- On underside of table support bracket, back out set screw with supplied hex wrench. Loosen large hex head bolt. **See Fig. 9**
- Rotate table to desired angle right or left. Use bevel scale for precise setting. **See Fig. 10**
- Tighten hex head bolt to secure table tilt. Set screw should not be tightened when table is tilted.
- To return table to level, loosen large hex head bolt. Rotate table to level position. Use hex wrench to retighten set screw. Securely tighten large hex head bolt.

B. Height adjustment

Loosen the clamp bolt then adjust the table to your desired position by turning the table bracket crank handle. **See Fig. 11**

C. Swing Adjustment 360°

Loosen the table swing locking handle, then swing table to desired position and retighten the handle. **See Fig. 12**

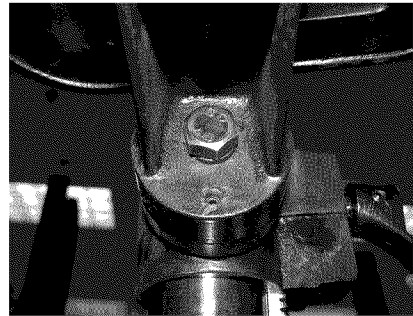


Figure 9

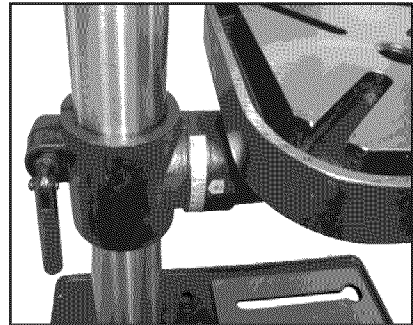


Figure 10

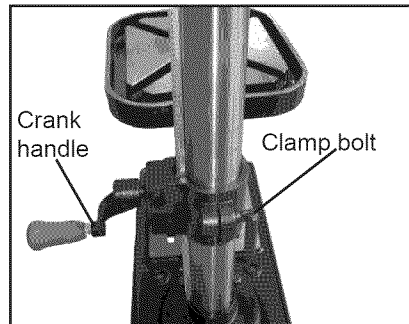


Figure 11

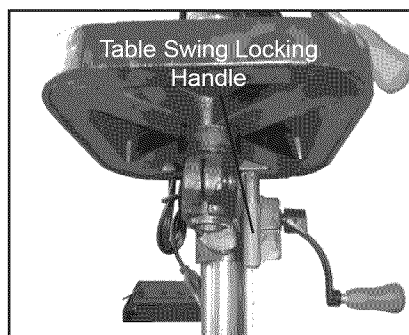


Figure 12

ADJUSTMENT

WARNING: To prevent personal injury, always disconnect the plug from the power source when making any adjustment.

2. Feed Depth Adjustment

The depth gauge is located on the feed handle hub. Use the depth gauge to accurately and consistently set the required drilling depth. Loosen the depth stop fixing screw, set the depth stop as required and subsequently re-tighten the fixing screw.

3. Speed Adjustment

This drill press has 16 speeds shown in the speed label located on the underside of the head assembly lid. To change the speed, loosen the belt tension lock knob on each side of the head. Then use the adjustment lever to draw the motor mounting plate toward the front end of the drill head. Next, change the belt locations on the pulleys.

Tighten the belts by pushing the adjustment lever towards the rear of the drill head and locking the belt tension knobs. **See Fig.13 and Fig.13A**

4. Spindle Spring Adjustment

The spindle return spring may need adjustment if the tension causes the spindle to return too rapidly or too slowly.

4.1 Lower the table for additional clearance.

4.2 Place a screwdriver in the lower front notch (1) of the spring cap (2).

Hold it in place while loosening and removing only the outer lock nut (3).

4.3 With the screwdriver still engaged in the notch loosen the inner nut (4) just until the notch (5) disengages from the boss (6) on the drill press head.

CAUTION: DO NOT REMOVE THIS INNER NUT, because the spring will forcibly unwind.

4.4 Carefully turn the spring cap (2) counterclockwise with the screwdriver, engaging the next notch.

4.5 Lower the spindle to the lowest position by rotating the feed handle in a counterclockwise direction while holding the spring cap (2) in position.

4.6 If the spindle moves up and down as easily as you desire, tighten the inner nut (4) with the adjustable wrench. If too loose, repeat steps 2 through 4 to tighten. If too tight, reverse steps 3 and 4. **DO NOT OVERTIGHTEN** and restrict spindle movement.

4.7 Replace the lock nut (3) and tighten against the inner nut (4) to prevent the inner nut from reversing. **See Fig.14 and Fig. 14A**

5. SPINDLE

Rotate the feed handles counterclockwise to lower spindle to its lowest position. Grasp the spindle and attempt to move it back and forth. If there is play, do the following:

5.1 Loosen the spring cap lock nut (1).

5.2 Turn the screw (2) clockwise to eliminate the play, but without obstructing the upward movement of the spindle.

5.3 Tighten the lock nut (1). **See Fig. 15**

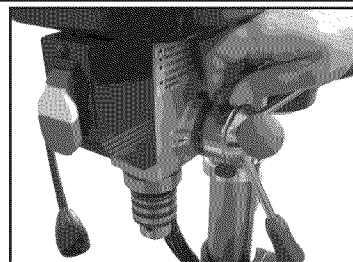


Figure 12

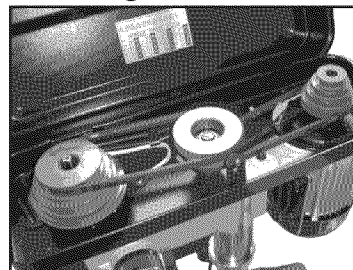


Figure 13

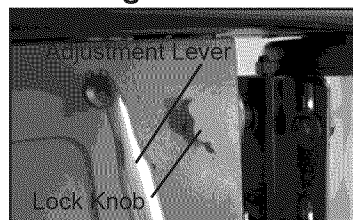


Figure 13A

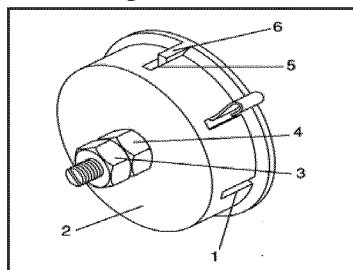


Figure 14

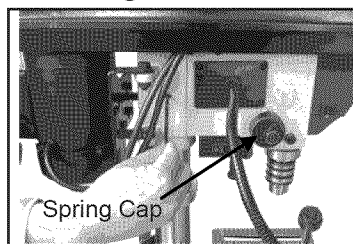


Figure 14A

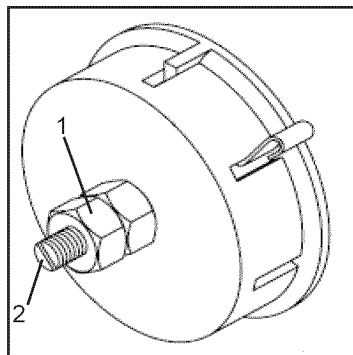


Figure 15

ADJUSTMENT

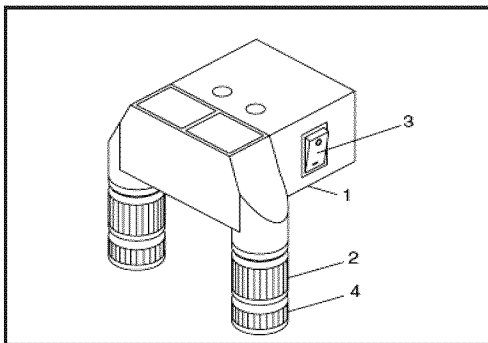
6. ADJUSTING THE LASER LINE

NOTE: Laser pointer (1) is an alternative part. Your machine may not have this laser pointer.

How to check and adjust the Laser Beam Alignment: Check the laser beam alignment to ensure the intersection of the laser lines precisely at the spot where the drill bit meets the workpiece. If it is not, the laser lines should be adjusted using the laser adjustment knobs located on the opposite sides of the head assembly. **See Fig. 16**

1. Mark an "X" on a piece of scrap wood.
2. Insert a small drill bit into the chuck and align its tip to the intersection of the lines of the "X".
3. Secure the board to the table.
4. Turn on the laser switch(3) and verify the laser lines align with the "X" on the workpiece.
5. If the laser lines do not align, loosen knobs(2) on each side of the laser module and rotate the lasers(4) until the lines meet in the center of the "X". Retighten the knobs to secure.

NOTE: Check and adjust the laser beam alignment every time the drill press table is raised or lowered to a new position.



WARNING!

LASER RADIATION: AVOID DIRECT EYE CONTACT

- A Laser light is radiated when the laser guide is turned on. Avoid direct eye contact. Always turn off the laser and unplug the drill press from the power source before making any adjustments.
- A laser pointer is not a toy and should not come into hands of children. Misuse of this appliance can lead to irreparable eye injuries.
- DO NOT attempt to make any adjustments to increase the laser power.

ADJUSTMENT/OPERATION

- When using the laser pointer, do not point the laser beam towards people and / or reflecting surfaces. Even a laser beam of lower intensity may cause eye damage. Therefore, do not look directly into the laser beam.
- If the laser pointer is stored for more than three months without use, please remove the batteries to avoid damage from possibly leaking batteries.
- The laser pointer includes no user serviceable components. Never open the housing for repair or adjustments.
- On units equipped with the Laser-Guide attachment, repairs must be performed only by a Sears or other qualified service dealer.

OPERATION

1. Installing A Drill Bit See Fig. 16

- 1.1. With the switch "OFF", open the chuck jaws (1) using the chuck key (2). Turn the chuck key counterclockwise to open the chuck jaws (1).
- 1.2. Insert the drill bit (3) into the chuck far enough to obtain maximum gripping by the jaws, but not far enough to touch the spiral grooves (flutes) of the drill bit when the jaws are tightened.
- 1.3. Make sure that the drill is centered in the chuck.
- 1.4. Turn the chuck key clockwise to tighten the jaws.

WARNING: To avoid injury or accident by the chuck key ejecting forcibly from the chuck when the power is turned **ON**, always recheck and remove the chuck key before turning the power **ON**.

2. Positioning Workpiece

If not using table fence, to prevent the workpiece or back-up material from being torn from your hands while drilling, you **MUST** position it against the **LEFT** side of the column. Failure to do this could result in personal injury.

See Fig.17

3. Using Vise

For small workpiece that cannot be clamped to the table, use a drill press vise. The vise must be clamped or bolted to the table.

WARNING: The drill press vise **MUST** be clamped or bolted to the table to avoid injury from a spinning workpiece, or damaged vise or bit parts.

See Fig.18

4. Drilling a Hole

Using a center punch or a sharp nail, make an indentation in the workpiece where you want to drill. Turn the power switch on and pull down the feed handles with only enough effort to allow the drill to cut.

FEEDING TOO RAPIDLY might cause the belt or drill to slip, tear the workpiece loose, or break the drill bit. When drilling metal, it will be necessary to lubricate the tip of the drill bit with metal drilling oil to prevent it from overheating.

DRILLING TO A SPECIFIC DEPTH

Drilling a blind hole (not all the way through the workpiece) to a given depth can be done two ways:

Workpiece method (Figure 19 and 20)

1. Mark the depth (1) of the hole on the side of the workpiece. (Figure 16).
2. With the switch "OFF", bring the drill bit (2) down until the tip is even with the mark (Figure 19).
3. Hold the feed handle at this position.
4. Spin the lower nut (3) down to contact the depth stop lug (6) on the head (Figure 20).
5. Spin the upper nut (5) down and tighten against the lower nut (3) (Figure 20).
6. The drill bit will now stop after traveling the distance marked on the workpiece.

Depth scale method (Figure 20)

1. With the switch "OFF", turn the feed handle until the pointer (7) points to the desired depth on the depth scale (4) and hold the feed handle in that position.
2. Spin the lower nut (3) down to contact the depth stop lug (6).
3. Spin the upper nut (5) against the lower stop nut and tighten.
4. The drill bit will stop after traveling the distance selected on the depth scale.

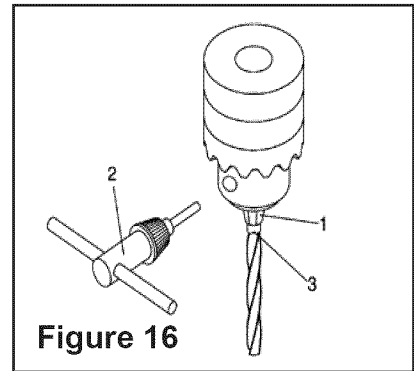


Figure 16

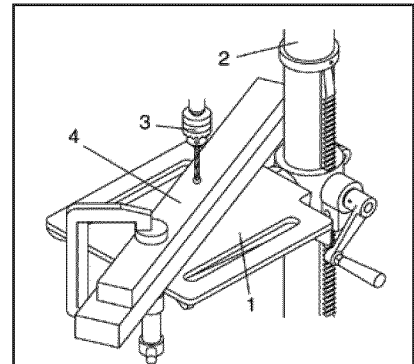


Figure 17

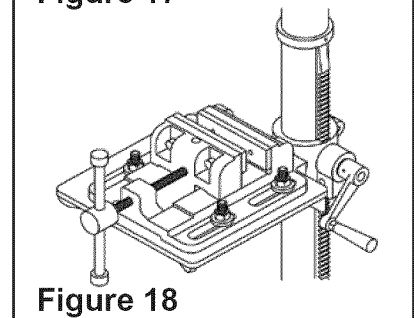


Figure 18

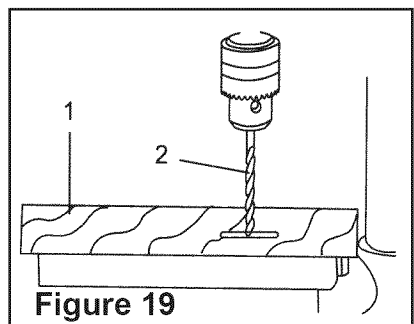


Figure 19

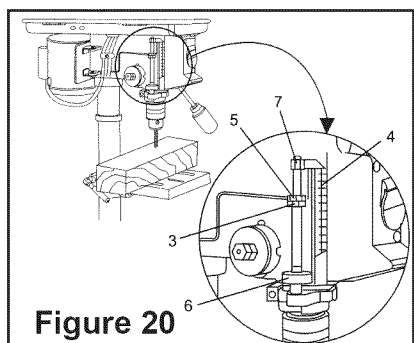


Figure 20

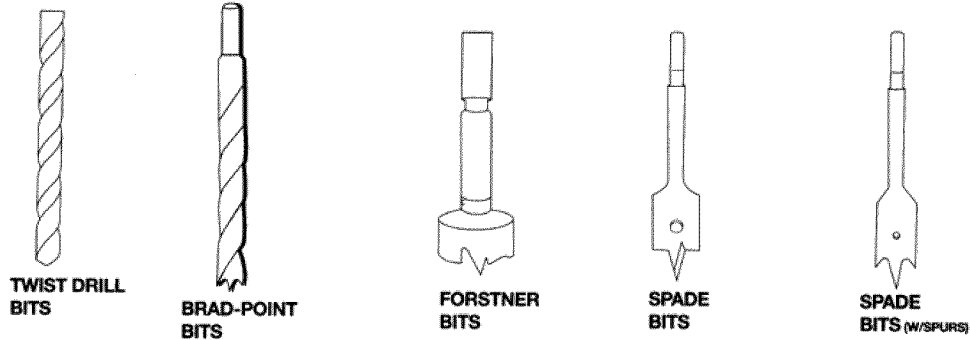
OPERATION

Correct Drilling Speeds

WARNING: Be sure drill press is turned off and is disconnected from power source before adjusting speeds.

Use the recommended speed for the drill bit and workpiece.

The drill bits that can be used are shown in following figure:



| | SOFTWOOD | HARDWOOD | ACRYLIC | BRASS | ALUMINUM | STEEL |
|------------------------------|----------|----------|---------|-------|----------|-------|
| TWIST DRILL BITS | | | | | | |
| 1/16-3/16" (3-5mm) | 3000 | 3000 | 2500 | 3000 | 3000 | 3000 |
| 1/4-3/8" (6-10mm) | 3000 | 1500 | 2000 | 1200 | 2500 | 1000 |
| 7/16-5/8" (11-16mm) | 1500 | 750 | 1500 | 750 | 1500 | 600 |
| 11/16-1" (11-25mm) | 750 | 500 | NR | 400 | 1000 | 250 |
| BRAD-POINT BITS | | | | | | |
| 1/8" | 1800 | 1200 | 1500 | NR | NR | NR |
| 1/4" | 1800 | 1000 | 1500 | NR | NR | NR |
| 3/8" | 1800 | 750 | 1500 | NR | NR | NR |
| 1/2" | 1800 | 750 | 1000 | NR | NR | NR |
| 5/8" | 1800 | 500 | 750 | NR | NR | NR |
| 3/4" | 1400 | 250 | 750 | NR | NR | NR |
| 7/8" | 1200 | 250 | 500 | NR | NR | NR |
| 1" | 1000 | 250 | 200 | NR | NR | NR |
| FORSTNER BITS | | | | | | |
| 1/4-3/8" | 2400 | 700 | 250 | NR | NR | NR |
| 1/2-5/8" | 2400 | 500 | 250 | NR | NR | NR |
| 3/4-1" | 1500 | 500 | 250 | NR | NR | NR |
| 1-1/8-1 1/4" | 1000 | 250 | 250 | NR | NR | NR |
| 1-3/8-2" | 500 | 250 | NR | NR | NR | NR |
| SPADE BITS | | | | | | |
| 1/4-1/2" | 2000 | 1500 | NR | NR | NR | NR |
| 5/8-1-1/2" | 1750 | 1500 | NR | NR | NR | NR |
| 1-1/8-1-1/2" | 1500 | 1000 | NR | NR | NR | NR |
| SPADE BITS WITH SPURS | | | | | | |
| 3/8-1" | 2000 | 1800 | 500 | NR | NR | NR |

NR - Not Recommended

MAINTENANCE

MAINTAINING YOUR DRILL PRESS

WARNING: For your own safety, turn the switch **OFF** and remove the plug from the power source outlet before maintaining or lubricating your drill press.

Frequently blow out any dust that accumulates inside the motor with an air compressor or dust vacuum. A coat of paste wax applied to the table and column will help to keep the surface clean & help avoid rust.

To avoid shock or fire hazard, if the power cord is worn or cut on any way, have it replaced immediately.

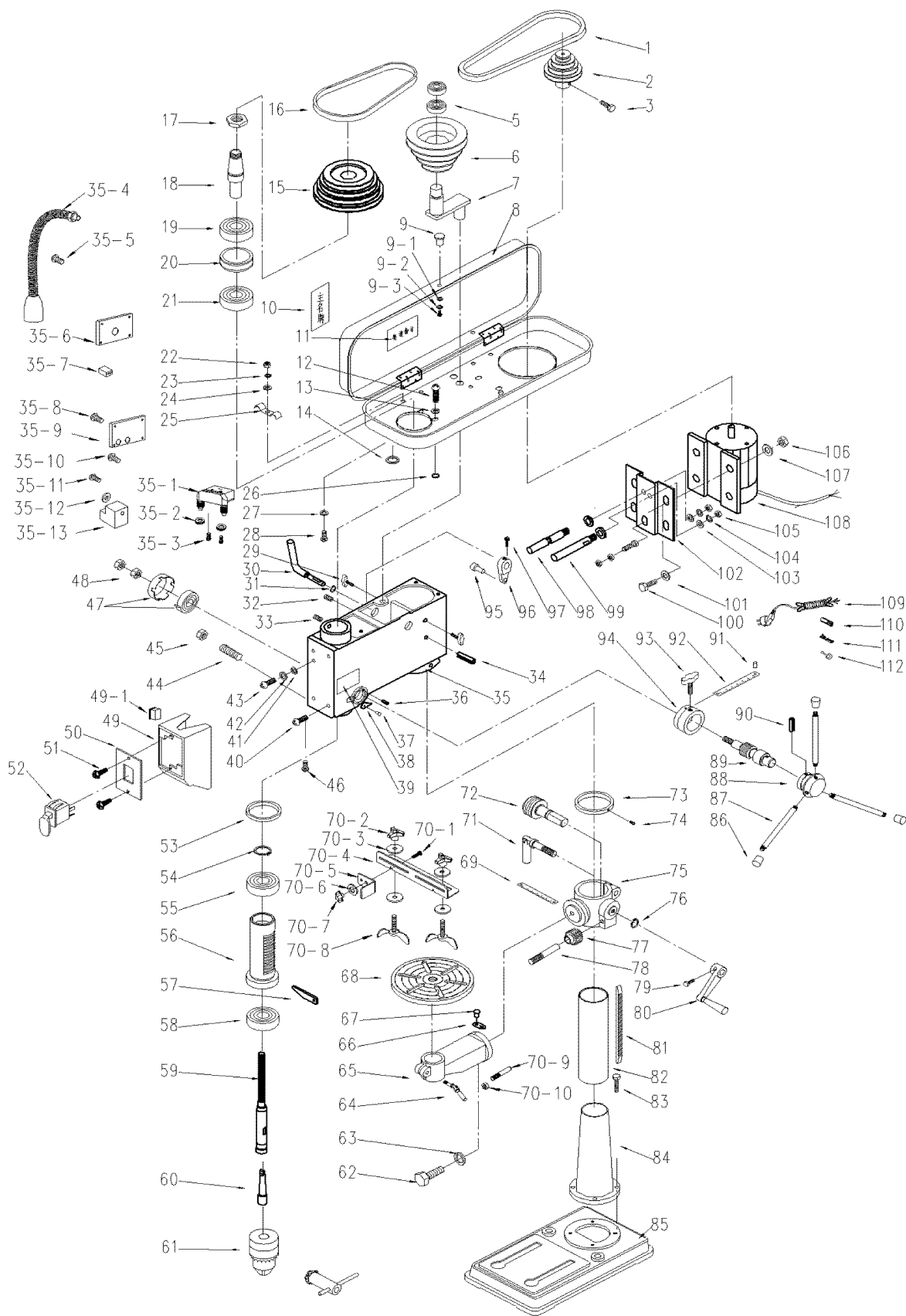
LUBRICATION

All of the drill press ball bearings are packed with grease at the factory. They require no further lubrication. Lower spindle to maximum depth and oil moderately once every three months.

TROUBLESHOOTING

| Symptom | Possible Cause(s) | Corrective Action |
|----------------------------------------------|------------------------------------------------------------------------------------------------------------------------------------------------------------------------------------------|--------------------------------------------------------------------------------------------------------------------------------------------------------------------------|
| <i>Noisy Operation</i> | <ol style="list-style-type: none"> 1. Incorrect Belt Tension 2. Dry spindle 3. Loose spindle 4. Loose motor pulley | <ol style="list-style-type: none"> 1. Adjust Tension 2. Lubricate spindle 3. Tighten pulley nut 4. Tighten set screw in pulley |
| <i>Bit Burns or Smokes</i> | <ol style="list-style-type: none"> 1. Incorrect speed 2. Chips not coming out of hole 3. Dull bit | <ol style="list-style-type: none"> 1. Change speed 2. Retract bit to clear chips 3. Sharpen or replace bit |
| <i>Excessive drill bit run out or wobble</i> | <ol style="list-style-type: none"> 1. Bent bit 2. Bit not properly installed in chuck 3. Chuck not properly installed 4. Worn spindle bearings | <ol style="list-style-type: none"> 1. Replace bit 2. Install bit properly 3. Install chuck properly 4. Replace bearings |
| <i>Drill bit binds in workpiece</i> | <ol style="list-style-type: none"> 1. Workpiece pinching bit or excessive feed pressure 2. Improper belt tension | <ol style="list-style-type: none"> 1. Support or clamp work piece, decrease feed pressure 2. Adjust tension |
| <i>Workpiece torn loose from hand</i> | <ol style="list-style-type: none"> 1. No supported or clamped properly | <ol style="list-style-type: none"> 1. Support or clamp work piece properly |

PARTS DIAGRAM



PARTS LIST

| KEY NO. | MFG. PART NO. | QUANTITY |
|---------|-------------------|----------|
| 1 | O-belt | 1 |
| 2 | Small belt pulley | 1 |
| 3 | Bolt | 1 |
| 5 | Bearing | 2 |
| 6 | Middle pulley | 1 |
| 7 | Shaft | 1 |
| 8 | Pulley cover | 1 |
| 9 | Knob | 1 |
| 9-1 | Flat washer | 1 |
| 9-2 | Toothed washer | 1 |
| 9-3 | Bolt | 1 |
| 10 | Nameplate lable | 1 |
| 11 | Speed lable | 1 |
| 12 | Bolt | 4 |
| 13 | Flat washer | 4 |
| 14 | Coil | 3 |
| 15 | Spindle pulley | 1 |
| 16 | O-belt | 1 |
| 17 | Nut | 1 |
| 18 | Strain relief | 1 |
| 19 | Bearing | 1 |
| 20 | Lantern ring | 1 |
| 21 | Bearing | 1 |
| 22 | Nut | 3 |
| 23 | Spring washer | 3 |
| 24 | Flat washer | 3 |
| 25 | Line clamp | 3 |
| 26 | Rubber washer | 4 |
| 27 | Flat washer | 3 |
| 28 | Bolt | 3 |
| 29 | Bolt | 2 |
| 30 | Handle | 1 |
| 31 | Retaining ring | 1 |
| 32 | Bolt | 2 |
| 33 | Bolt | 2 |
| 34 | Spring pin | 1 |
| 35 | Headstock | 1 |
| 35-1 | Laser assembly | 1 |
| 35-2 | Ferrule | 1 |
| 35-3 | Bolt | 2 |
| 35-4 | LED light | 2 |
| 35-5 | Bolt | 4 |
| 35-6 | LED light seat | 1 |
| 35-7 | Transformer | 1 |
| 35-8 | Bolt | 2 |
| 35-9 | Transformer seat | 1 |
| 35-10 | Bolt | 2 |
| 35-11 | Bolt | 1 |
| 35-12 | Flat washer | 1 |
| 35-13 | Seat | 1 |
| 36 | Ping | 1 |
| 37 | Rivet | 1 |
| 38 | Pointer | 1 |
| 39 | Warning lable | 1 |
| 40 | Bolt | 2 |
| 41 | Toothed washer | 1 |
| 42 | Spring washer | 1 |
| 43 | Bolt | 1 |
| 44 | Bolt | 1 |
| 45 | Nut | 1 |
| 46 | Bolt | 1 |
| 47 | Spring assembly | 1 |
| 48 | Nut | 2 |
| 49 | Switch box | 1 |
| 49-1 | Small switch | 1 |
| 50 | Plate | 1 |

PARTS LIST (Cont.)

| KEY NO. | MFG. PART NO. | QUANTITY |
|---------|--------------------------|----------|
| 51 | Bolt | 2 |
| 52 | Switch | 1 |
| 53 | Reduction vibration ring | 1 |
| 54 | Retaining ring | 1 |
| 55 | Bearing | 1 |
| 56 | Track sleeve | 1 |
| 57 | Wedge | 1 |
| 58 | Bearing | 1 |
| 59 | Spindle | 1 |
| 60 | Cone shaft | 1 |
| 61 | Chuck assembly | 1 |
| 62 | Bolt | 1 |
| 63 | Spring washer | 1 |
| 64 | Locking handle assembly | 1 |
| 65 | Bracket | 1 |
| 66 | Lable | 1 |
| 67 | Rivet | 2 |
| 68 | Table | 1 |
| 69 | Angle lable | 1 |
| 70 | Rivet | 2 |
| 70-1 | Bolt | 1 |
| 70-2 | Flat washer | 4 |
| 70-3 | Knob | 2 |
| 70-4 | Parallel fence | 1 |
| 70-5 | Vertical fence | 1 |
| 70-6 | Snap ring | 1 |
| 70-7 | Knob | 1 |
| 70-8 | Bolt | 2 |
| 70-9 | Pin | 1 |
| 70-10 | Nut | 1 |
| 71 | Locking handle assembly | 1 |
| 72 | Worm | 1 |
| 73 | Collar | 1 |
| 74 | Bolt | 1 |
| 75 | Clamp ring | 1 |
| 76 | Retaining ring | 1 |
| 77 | Small gear | 1 |
| 78 | Pin shaft | 1 |
| 79 | Bolt | 1 |
| 80 | Handle assembly | 1 |
| 81 | Track | 1 |
| 82 | Column | 1 |
| 83 | Bolt | 4 |
| 84 | Flange | 1 |
| 85 | Base | 1 |
| 86 | Handle cover | 3 |
| 87 | Handle | 3 |
| 88 | Handle plate | 1 |
| 89 | Gear shaft | 1 |
| 90 | Pin | 1 |
| 91 | Rivet | 2 |
| 92 | Depth lable | 1 |
| 93 | Bolt | 1 |
| 94 | Dial | 1 |
| 95 | Pin | 1 |
| 96 | Tool | 1 |
| 97 | Bolt | 1 |
| 98 | Shaft | 1 |
| 99 | Slide bar | 1 |
| 100 | Bolt | 5 |
| 101 | Flat washer | 4 |
| 102 | Connection board | 1 |
| 103 | Flat washer | 4 |
| 104 | Spring washer | 2 |
| 105 | Nut | 2 |
| 106 | Nut | 5 |
| 107 | Flat washer | 4 |
| 108 | Motor | 1 |
| 109 | Line cord | 1 |
| 110 | Insulation sleeve | 4 |
| 111 | Terminal | 2 |
| 112 | Terminal | 4 |

REPAIR PROTECTION AGREEMENT

Repair Protection Agreements

Congratulations on making a smart purchase. Your new Craftsman® product is designed and manufactured for years of dependable operation. But like all products, it may require repair from time to time. That's when having a Repair Protection Agreement can save you money and aggravation.

Here's what the Repair Protection Agreement* includes:

- Expert service** by our 10,000 professional repair specialists
- Unlimited service and no charge** for parts and labor on all covered repairs
- Product replacement** up to \$1500 if your covered product can't be fixed
- Discount of 25%** from regular price of service and related installed parts not covered by the agreement; also, 25% off regular price of preventive maintenance check
- Fast help by phone** – we call it Rapid Resolution – phone support from a Sears representative. Think of us as a “talking owner's manual.”

Once you purchase the Repair Protection Agreement, a simple phone call is all that it takes for you to schedule service. You can call anytime day or night, or schedule a service appointment online.

The Repair Protection Agreement is a risk-free purchase. If you cancel for any reason during the product warranty period, we will provide a full refund. Or, a prorated refund anytime after the product warranty period expires. Purchase your Repair Protection Agreement today!

Some limitations and exclusions apply. For prices and additional information in the U.S.A. call 1-800-827-6655.

***Coverage in Canada varies on some items. For full details call Sears Canada at 1-800-361-6665.**

Sears Installation Service

*For Sears professional installation of home appliances, garage door openers, water heaters, and other major home items, in the U.S.A. or Canada call **1-800-4-MY-HOME®**.*

LISTA DE CONTENIDO

| | |
|-------------------------------------|-------|
| Garantía..... | 20 |
| Las instrucciones de seguridad..... | 20-21 |
| Especificaciones..... | 21 |
| Seguridad..... | 22 |
| Accesorios y Complementos..... | 23 |
| Glosario de Términos..... | 24 |
| El cartón Contenido..... | 25 |
| Asamblea..... | 26-27 |
| Ajuste..... | 28-29 |
| Operación..... | 30-31 |
| Solución de problemas..... | 32 |
| Reparar Acuerdo de Protección..... | 33 |

CRAFTSMAN Plena GARANTÍA DE UN AÑO

Durante un año a partir de la fecha de compra, este producto está garantizado contra defectos en los materiales o la mano. Un producto defectuoso se recibe reparación gratuita o reemplazo si la reparación no está disponible. Para la cobertura de garantía los detalles para conseguir reparación gratuita o reemplazo, visite el sitio web: www.craftsman.com Esta garantía le da derechos legales específicos, y también podría tener otros derechos que varían de estado a estado.

Sears Brands Management Corporation, Hoffman Estates, IL 60179

La Proposición 65 Advertencia:

Advertencia: Algunos polvo creado al lijar, serrado, rectificado, taladrado, y otras actividades de construcción contiene sustancias químicas que se sabe que el Estado de California, que causa cáncer y defectos de nacimiento u otros daños reproductivos.

LAS INSTRUCCIONES DE SEGURIDAD

INSTRUCCIONES DE SEGURIDAD GENERALES ANTES DE UTILIZAR LA TALADRADORA

La seguridad es una combinación de sentido común, mantenerse alerta y saber cómo utilizar esta Taladradora.

ADVERTENCIA: Para evitar errores que podrían causar un daño grave, no lo conecte la Taladradora en hasta que usted ha leído y entendido los siguientes:

1. Lea y familiarícese con el Manual del Operador. **CONOCER** la herramienta de aplicación, limitaciones y posibles peligros.
2. **MANTENER LOS** guardias en su lugar y funcionando.
3. **QUITAR** ajustar las llaves y llaves. Formar un hábito de comprobar que las claves y el ajuste llaves se quitan de la herramienta antes de encender.
4. Mantenga limpia el área de trabajo. Amontonado ámbitos y bancos invitamos a accidentes.
5. **NO UTILICE** en ambientes peligrosos. No utilice herramientas eléctricas en lugares húmedos o mojados, o exponerlos a la lluvia. Mantenga el área de trabajo bien iluminada.
6. Mantener alejados **A LOS NIÑOS**. Todos los visitantes deben mantenerse a una distancia segura de área de trabajo.
7. **HAGA EL TALLER CERRADURAS** con candados.
8. No fuerce la herramienta. Lo hará el trabajo mejor y más seguro a la tasa para el que fue concebido.
9. **UTILICE LA HERRAMIENTA** derecha. No fuerce herramienta o apego a realizar trabajos para los que no fue diseñado.
10. **USO CORRECTO** cable de extensión. Asegúrese de que el cable de extensión se encuentra en buen estado. Cuando se utiliza un cable de extensión, asegúrese de usar un calibre suficiente para conducir la corriente su producto. Un cable de tamaño menor se traducirá en una caída de tensión en la línea y en una pérdida de energía que causará la herramienta a recalentarse.
11. **USAR** vestimenta adecuada. No use ropa suelta, guantes, corbatas, anillos, pulseras, u otro tipo de joyas que pueden quedar atrapados en las piezas móviles. No se recomienda usar calzado antideslizante. Use una cubierta protectora para contener el cabello largo.
12. Siempre use protección para los ojos. La Taladradora puede arrojar objetos extraños en los ojos que puede causar daño permanente a los ojos. Siempre utilice gafas de seguridad (no lentes). Gafas de uso diario sólo impacto- lentes resistencia. **NO SON** lentes de seguridad.
13. **TRABAJO SEGURO**. Usar abrazaderas o una prensa de tornillo para celebrar cuando trabajo práctico. Es más seguro que usar su mano y libera ambas manos para operar herramienta.
14. **DESCONECTE** herramientas antes del servicio; cuando se cambian los accesorios tales como las cuchillas, brocas, cortadores, y similares.
15. **REDUCIR EL RIESGO DE PARTIDA** no intencionales. Asegúrese de interruptor se encuentra en posición de apagado antes de conectar.
16. **USO RECOMENDADO ACCESORIOS**. Consulte el manual del operador para accesorios recomendados. El uso de accesorios inapropiados puede causar lesiones graves.

17. Nunca se pare **SOBRE LA HERRAMIENTA**. Lesiones graves pueden ocurrir si la herramienta se inclina o si la herramienta de corte involuntariamente contactados.
18. **DISPONER DE PARTES** dañadas. Antes de seguir usando la herramienta, un guardia o en alguna otra parte que está dañado deben verificarse cuidadosamente para determinar que funcionará correctamente y realizar su función prevista - revise la alineación de los elementos móviles, obligatorio de piezas móviles, rotura de las partes, del montaje, así como cualesquiera otras condiciones que puedan afectar a su funcionamiento. Un guardia o en alguna otra parte que está dañada debe ser correctamente reparado o sustituido.
19. **NUNCA** deje **DESATENDIDA HERRAMIENTA** mientras esté funcionando. Apague la unidad "OFF". No dejes herramienta hasta que se detenga por completo.
20. **NO EXCEDERSE**. Mantener una verdadera igualdad y equilibrio en todo momento.
21. **MANTENIMIENTO DE LAS HERRAMIENTAS CON CUIDADO**. Mantenga las herramientas brusco y limpios para rendimiento mejor y más segura. Siga las instrucciones para lubricar y cambiar los accesorios.
22. **NO** utilice herramientas eléctricas en presencia de líquidos o gases inflamables.
23. **NO UTILICE** la herramienta si usted está bajo la influencia de cualquier tipo de drogas, alcohol o medicamentos que podrían afectar a su capacidad de utilizar la herramienta correctamente
24. Siempre opere la Taladradora en un área bien ventilada y prever la adecuada eliminación de polvo. Utilizar sistemas de recogida polvo siempre que sea posible. El polvo generado de determinados materiales pueden ser peligrosos para su salud.

Las instrucciones ESPECÍFICAS DE SEGURIDAD PARA PERFORAR PRENSA

ADVERTENCIA: Por su propia seguridad, no intente usar su prensa perforadora o conéctelo hasta que quede completamente montado e instalado de acuerdo con las instrucciones, y hasta que no haya leído y entendido este manual de instrucciones.

1. Esta **PRENSA PERFORADORA** está diseñada para su uso en condiciones secas, sólo para uso en interiores.
2. **USE PROTECCIÓN PARA LOS OJOS**. Utilice una cara o mascarilla junto con gafas de seguridad si la perforación está lleno de polvo. USAR protectores auditivos, especialmente durante períodos prolongados de operación.
3. **NO** use guantes, corbatas, o ropa holgada.
4. **NO SE DEBE** intentar perforar material demasiado pequeño para ser sujetado firmemente.
5. Siempre mantenga las manos fuera del camino de una broca. Evitar posiciones incómodas mano donde un deslizamiento repentino podría causar que su mano para irse a la broca.
6. **NO** instale o la utilización de una broca que supera 175mm de longitud o se extiende 150mm más abajo el portabrocas las mandíbulas. De repente pueden doblarse hacia afuera o romper.
7. **NO UTILIZAR** ruedas de alambre, moldeador enrutador bits, cortadores, circle (mosca) cortadores, o los cepillos giratorios en la taladradora.
8. Al cortar un pedazo grande de material, asegúrese de que cuenta con el pleno apoyo a la altura de la mesa.
9. No realice ninguna operación freehand. Siempre mantenga la pieza de trabajo firmemente contra la mesa de forma que no rock o twist. Usar abrazaderas o un sargento de inestable piezas mecanizadas.
10. Asegúrese de que no hay clavos u objetos extraños en la parte de la pieza que va a taladrar.
11. Sujete la pieza o **CORSÉ**, en contra de la parte izquierda de la columna para impedir que la lente. Si es demasiado corto o inclinación de la mesa, abrazadera firmemente a la tabla.

12. **SI LA PIEZA** sobresale por encima de la mesa, que va a caer o sugerencia si no se mantienen abrazadera de la tabla o proporcionar apoyos auxiliares.
13. **GARANTIZAR EL TRABAJO**. Usar abrazaderas o un sargento que mantenga el trabajo cuando sea práctico. Es más seguro que usar su mano y libera ambas manos para operar herramienta.
14. Asegúrese de que todos abrazaderas y cerraduras están bien apretados antes de perforar.
15. **PONER CANDADO LA CABEZA** y en el cuadro apoyo a la columna, y la tabla al soporte de tabla antes de operar la taladradora.
16. Nunca apague su prensa perforadora antes de limpiar la mesa de todos los objetos (herramientas, pedazos de madera, etc.)
17. Antes de iniciar la operación, jog el motor switch para asegurarse de que el ramillete poco no tiemble o vibre.
18. **QUE EL HUSO** alcanzan su velocidad antes de comenzar a perforar. Si la taladradora hace un extraño ruido, o si ésta vibra, detener inmediatamente, gire la taladradora y desenchufe. No reinicie la unidad hasta que el problema se corrige.
19. **NO** realice diseño asamblea o un conjunto de trabajos sobre la mesa, mientras la prensa perforadora está en funcionamiento.
20. **UTILIZAR LA VELOCIDAD** recomendada para cualquier accesorio taladradora y piezas de diferentes materiales.
21. Al taladrar agujeros grandes diámetros, sujete la pieza de trabajo firmemente a la tabla. De lo contrario, el bit grab y girar la pieza a altas velocidades. **NO UTILICE** volar cortadores o múltiples parte mantenga cortadores, como pueden venir aparte o ser equilibrado en uso.
22. Asegúrese de que el eje ha llegado a su fin por completo antes de tocar la pieza de trabajo.
23. Para evitar daños en caso de arranque accidental, siempre apagar el interruptor y desconecte la taladradora antes de instalar o quitar cualquier accesorio o archivos adjuntos, o hacer cualquier ajuste.

ESPECIFICACIÓN

| | | | |
|--------------------------|------------------|-----------------------|----------------------------------------|
| Motor..... | 3/4 HP | Tamaño Base..... | 18.11" x 11.02"-460 X 280mm |
| Chuck..... | 0.63"-16mm | Columna..... | 2.83"- 72mm |
| Eje de Viaje..... | 3.23" - 82mm | Mecer..... | 14.17"-360mm |
| Eje Aflautan..... | MT2 | Altura total..... | 61.61"-1565mm |
| Cambio de Velocidad..... | 1 | Cargar..... | 137.79LBS- 62.5kg |
| 6Velocidad..... | 240 / 3470 r/min | Dimensión cuadro..... | 45.28X19.69"X11.81"- 1150X500X300mm |

GUARDAR estas instrucciones.
Referirse a ellos con frecuencia.

NECESIDADES DE ENERGÍA ELÉCTRICA

FUENTE DE ALIMENTACIÓN Y ESPECIFICACIONES DEL MOTOR

ADVERTENCIA: Con el fin de evitar riesgos eléctricos, de incendio, o daños a la herramienta, utilice una adecuada protección contra cortocircuitos. Utilizar un circuito eléctrico separado para sus herramientas. La taladradora está inmobilizada en la fábrica de 115V. Conectar a 115V, circuito de 15 amperes y utilizar un retardo de 15 amperes fusibles ou. Con el fin de evitar descarga o un incendio, si el cable está desgastado o cortar, o dañado de alguna manera, se han sustituido inmediatamente.

INSTRUCCIONES TIERRA

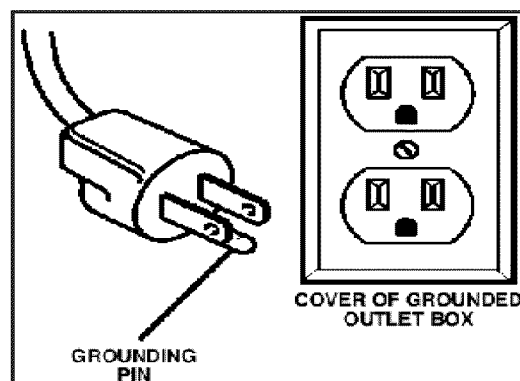
ADVERTENCIA: Esta herramienta debe basarse mientras está en uso para proteger al operador de descargas eléctricas.

EN CASO DE MAL FUNCIONAMIENTO O AVERÍA, tierra constituye un camino de menor resistencia para corriente eléctrica y reduce el riesgo de un choque eléctrico. Esta herramienta está equipado con un cable eléctrico que contiene un equipo de hilo conductor a tierra y un enchufe de tres patas con un receptáculo pin. El enchufe debe estar conectado a un tomacorriente que está correctamente instalado y que se fundamenten en conformidad con todos los códigos y ordenanzas.

NO MODIFIQUE EL CONECTOR SIEMPRE. Si no se adapte al recipiente, tienen el recipiente adecuado instalado por un electricista calificado.

CONEXIÓN INADECUADA El equipo de tierra puede resultar en un riesgo de descarga eléctrica. Si la reparación o el reemplazo del cable eléctrico o plug es necesaria, no conéctelo a una toma de corriente eléctrica.

CONSULTE con un electricista cualificado o persona de servicio si no entiende por completo la tierra instrucciones, o si no está seguro de la herramienta es tierra correctamente.



ADVERTENCIA: Conexión inadecuada del conductor a tierra del equipo puede resultar en el riesgo de descarga eléctrica. Equipo debería basarse mientras está en uso para proteger operador de descargas eléctricas.

- Consulte con un electricista cualificado si no entiende las instrucciones tierra o si tiene dudas sobre si la herramienta es tierra correctamente.
- Esta herramienta está equipada de un cable y un 3 patas enchufe para su protección contra descargas eléctricas los peligros.
- Enchufe de toma de tierra debe estar conectado directamente a una tierra correctamente instalado y 3 patas recipiente tipo de conexión a tierra, como se muestra.
- No se debe eliminar o alterar tierra pin de cualquier manera. En el caso de un mal funcionamiento o avería, tierra constituye una vía de menor resistencia para descargas eléctricas.

ADVERTENCIA: Este simulacro de Prensa es sólo para uso en interiores. No exponer a la lluvia o el uso en lugares hãOmedos.

DIRECTRICES PARA LOS CABLES de EXTENSIÓN

UTILICE CABLE DE EXTENSIÓN ADECUADA. Asegúrese de que el cable de extensión se encuentra en buen estado. Cuando se utiliza un cable de extensión, asegúrese de usar un calibre suficiente para conducir la corriente su producto. Un cable de tamaño menor puede ocasionar la caída de tensión en la línea, lo que se traduce en una pérdida de energía y provocar un recalentamiento.

Asegúrese de que su cable de extensión está cableado adecuadamente y en buen estado. Siempre reemplace un cable de extensión dañado o repararlo por una persona calificada antes de usarlo. Proteja sus cables de extensión de objetos afilados, un exceso de calor y áreas húmedas o mojadas.

GLOSARIO DE TÉRMINOS

GUÍAS BASE – Apoya drill press. Para obtener más estabilidad, tiene cuatro orificios en la base para perno perforación presione al tribunal.

MATERIAL DE COPIA DE SEGURIDAD – Un pedazo de madera de desecho colocado entre la pieza y el cuadro. La copia de seguridad impide junta madera en la pieza de astillamiento cuando el taladro pasa a través de la parte trasera de la pieza de trabajo. También evita la perforación en la parte superior de la mesa.

CINTURÓN ASAMBLEA GUARDIA – Cubre las poleas y correa durante la operación de la taladradora.

TENSIÓN DE LA CORREA – Consulte la Sección Asamblea, “Instalación y tensores cinturón”.

TENSIÓN DE LA CORREA PERILLAS DE CIERRE – Apretando los mandos se bloquea el motor soporte soporte y la tensión de la correa manejar, mantener distancia correcta cinturón y tensión.

ESCALA DE BISEL – Tabla muestra cierto grado de inclinación para operaciones de bisel. La escala está montado en el lado de la mesa soporte.

CHUCK – Posee una broca u otro accesorio recomendado para realizar las operaciones.

CHUCK CLAVE – Un auto de expulsión chuck clave que saldrá del chuck cuando usted dejar de lado. Esta acción está diseñado para ayudar a evitar tirar del chuck clave desde el chuck cuando se conecta la alimentación. No utilice cualquier otra tecla como sustituto; orden uno nuevo si dañado o perdido.

COLUMNA – Conecta la cabeza, en el cuadro, y la base de una sola pieza tubo para alinear fácilmente y movimiento.

LA COLUMNA COLLAR – Posee el estante para la columna. El bastidor sigue siendo bienes muebles en el cuello para permitir los movimientos soporte de tabla.

LA COLUMNA SOPORTE – Apoya la columna, guías del rack y proporciona agujeros de montaje de la columna de la base.

FONDO ESCALA NUTS PARADA – Bloquear el eje a una profundidad seleccionado.

PROFUNDIDAD ESCALA – Indica profundidad de hoyo perforado.

BROCA – La herramienta de corte utilizados en la taladradora de hacer hoyos en la pieza de trabajo.

PERFORAR el CONMUTADOR DE ENCENDIDO/ APAGADO – Tiene una característica de bloqueo. Esta característica está diseñada para ayudar a prevenir no autorizada peligrosos y posible uso por los niños y demás. Inserte la clave en el interruptor para encender la taladradora.

VELOCIDAD DE PERFORACIÓN – Cambiarse situando el cinturón en ninguno de los pasos (surcos) en las poleas. Véase la tabla dentro Husillos Velocidad cinturón guardia o en el manual.

PIENSOS MANEJAR – Mueve el chuck hacia arriba o hacia abajo. Si es necesario, uno o dos de las asas pueden ser eliminados cuando la pieza es de tal forma inusual que interfiere con las manijas.

PERCHA – Combina con artes mecanismo para proporcionar fácil elevación del cuadro por cuadro mano la manivela.

RPM – Las revoluciones por minuto. El número de vueltas completadas por un objeto en rotación en un minuto.

EJE VELOCIDAD – Las RPM del eje.

PRIMAVERA PAC – Ajusta el quill regresar tensión del muelle.

SOPORTE PARA TABLAS BLOQUEO – Endurecimiento bloquea la tabla apoyo tot i la columna. Siempre lo tienen encerradas en su lugar mientras se opera la taladradora.

TABLA – Proporciona una superficie de trabajo para apoyar la pieza.

TABLA DEL BRAZO – Se extiende más allá del soporte de tabla para el montaje y ajuste de la tabla.

CIERRE DE BISEL TABLA – Bloquea la tabla en cualquier posición de 0° a 45°

TABLA MANIVELA – Eleva y baja la tabla. A la derecha para elevar a la tabla. Apoyo bloqueo debe ser puesto en libertad antes de operar la manivela.

BLOQUEO DE TABLA – Bloquea la tabla después de que se gira a varias posiciones

TABLA SOPORTE – Cabalga sobre la columna de apoyo a la mesa del brazo y en el cuadro.

PIEZA DE TRABAJO – Material perforando.

EL CARTÓN CONTENIDO

DESEMBALAJE y comprobación CONTENIDO

Desembálelo cuidadosamente la Taladradora y todas sus piezas, y comparar contra la ilustración siguiente.

ADVERTENCIA:

- Para evitar daños en caso de partida inesperada, no conecte el cable de alimentación a una fuente de alimentación recíproca durante desembalaje y el montaje. Este cable debe seguir siendo desconectado cuando se están reuniendo o ajustar la taladradora.
- Si alguna parte se han perdido o dañado, no lo conecte la taladradora en hasta que los desaparecidos o parte dañada es sustituido, y completado el montaje.
- Para proteger la taladradora de humedad, una capa protectora se ha aplicado a la superficie mecanizada. Eliminar esta capa con un trapo suave humedecido con queroseno .

ADVERTENCIA: Para evitar incendios o reacción tóxica, nunca use gasolina, nafta, acetona, thinner o similar altamente solventes volátiles para limpiar la taladradora.

TABLA DE PIEZAS SUELTAS

Descomprimir el cartón, compruebe usted máquina para ver partes enumeradas a continuación:

A. Parte Principal :

See Fig. 1

1. Cabeza asamblea
2. Columna
3. Tabla
4. Base
5. Interruptor ON/OFF

A su vez en drill press, levantar paddle cambiar desde abajo.
Para desactivar la taladradora, empuje paleta cambia hacia abajo.

Para impedir el uso no autorizado, quitar el centro clave en el interruptor.

Figura 1B y 1c

Drill press no puede activarse si clave no está inserta.

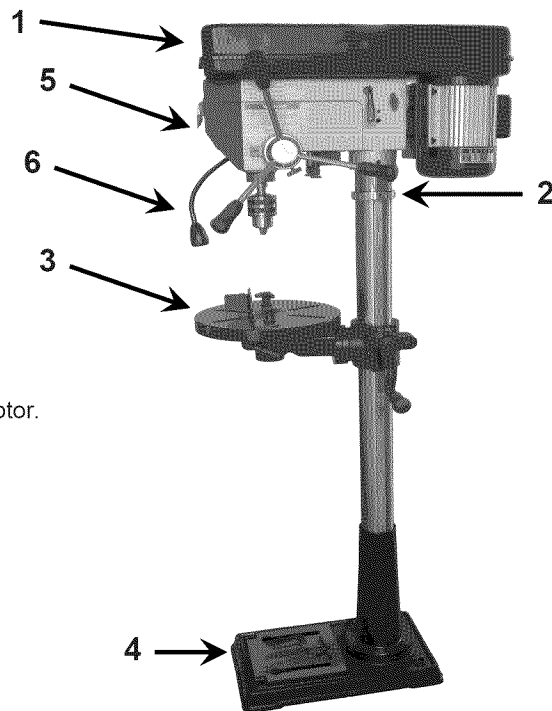


FIGURA 1

FIGURA 1B

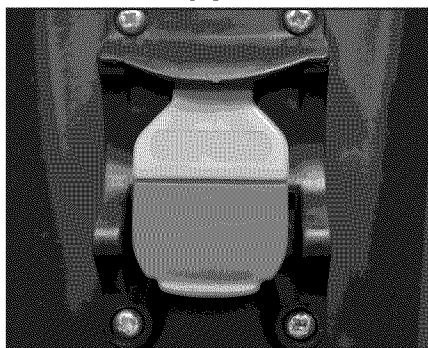
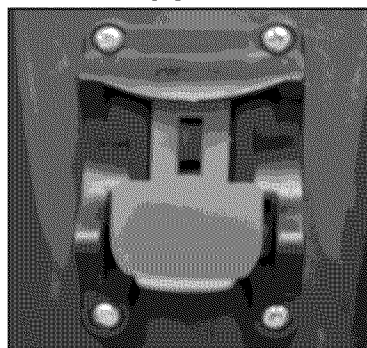


FIGURA 1C



EL CARTÓN CONTENIDO

B. Accesorios (en un recuadro aparte)

See Fig.2

- A. Piensos manejar
- B. Manivela
- C. Una llave hexagonal
- D. Tornillo Hexagonal
- E. Chuck clave
- F. Chuck
- G. Tabla valla

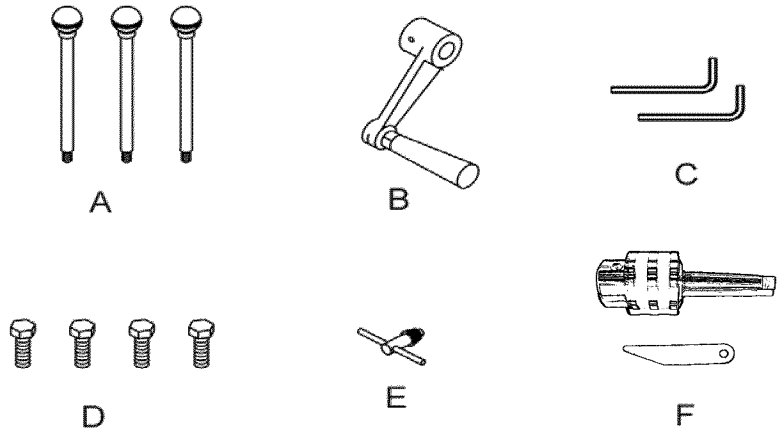
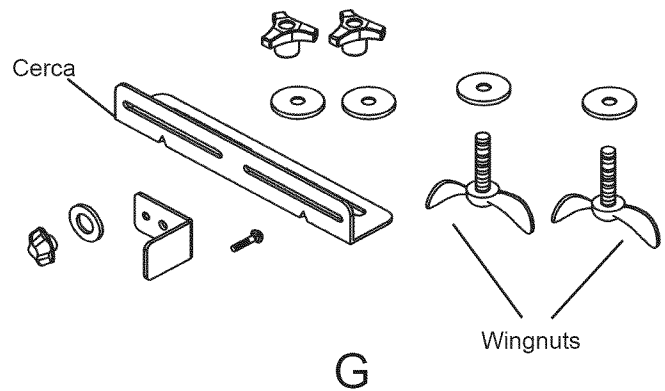
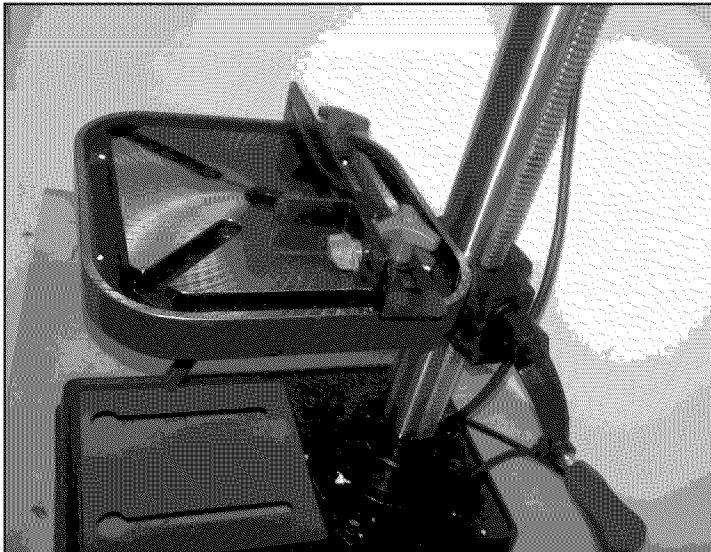


Tabla Valla

Usar el hardware para adjuntar la valla para la tabla como se muestra en la imagen de abajo. Utilice la valla para alinear la pieza de trabajo y proporcionar un apoyo seguro de perforación.

NOTA: La tabla que se ve es diferente forma de equipados con el producto. Valla atribuye de las ranuras de la misma manera.



ASAMBLEA

1. La columna apoyo a base

- 1.1 Posición la base en el piso o banqueteta.
- 1.2 Colocar la columna de la base, alineando los orificios en la columna soporte con los orificios en la base.
- 1.3 Busque los cuatro pernos hexagonal largo piezas sueltas de la bolsa.
- 1.4 Colocar el tornillo en cada agujero a través de la columna soporte y en la base. Apriete con una llave ajustable. **See Fig. 1**

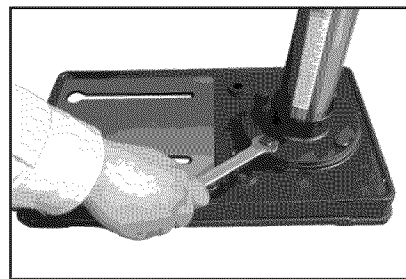


Figura 1

2. Instalar la mesa

- 2.1 Afloje tornillo de ajuste (1). Quitar rack (2) y anillo de retención (3) en la columna (4). **Fig. 2A**
- 2.2 Rack lugar dentro de la mesa de edad (5), con grandes piezas crudas parte de rack en la parte superior. Deslice rack en la ranura en soporte para que los dientes del engranaje piñón cremallera participar en soporte. **Fig. 2A**
- 2.3 Deslice la mesa con bastidor de la columna. Lugar final de rack dentro borde biselado de columna brida.
- 2.4 Deslice rack anillo de retención (3) a lo largo de la columna con borde biselado hacia abajo. Anillo posición contra parte superior del rack para que rack en borde biselado de anillo. **Fig. 2B** Seguro anillo con tornillo de ajuste (1). **Fig. 2C**
- 2.5 Girar la mesa alrededor de la columna. Ajustar rack anillo de retención como sea necesario para prevenir obligatorio de rack.
- 2.6 Atribuímos manivela (6) al eje (7), girar para tensarla, y contra hombro manivela tabla bracket. Seguro manejar con tornillo. **See Fig. 2B**
- 2.7 Apriete tabla corchete de cierre (9) para asegurar la mesa. **Fig. 3**

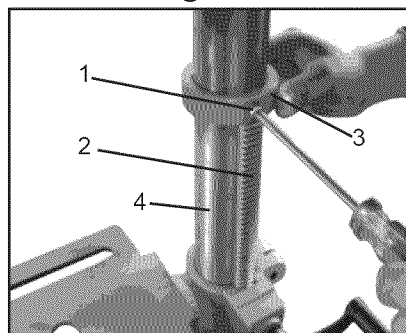


Figura 2C

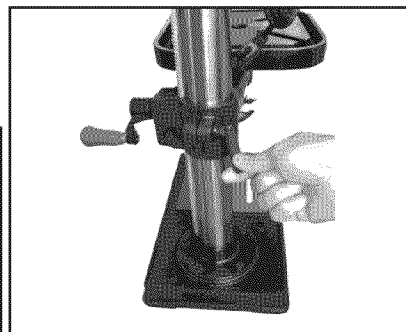


Figura 3

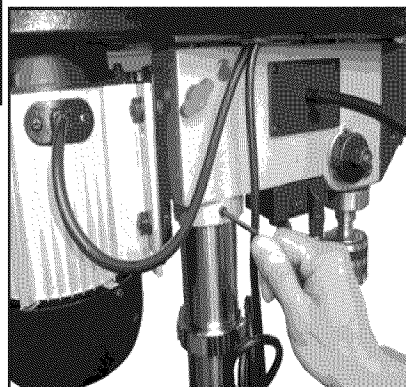


Figura 4

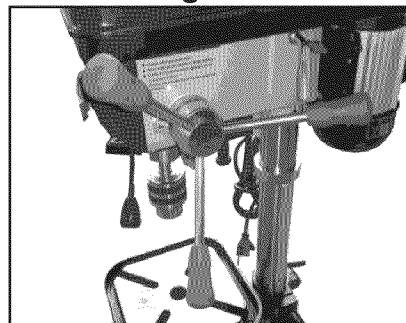


Figura 5

Figura 2A

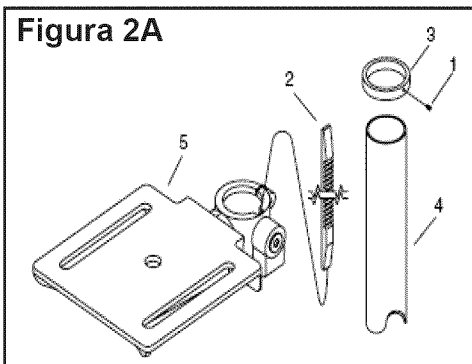
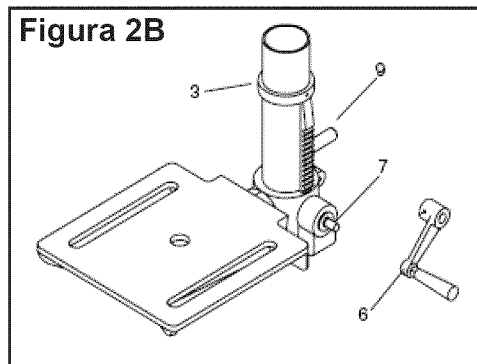


Figura 2B



3. Instalando cabeza asamblea

- 3.1. Levante con cuidado la cabeza encima de la columna y deslícelo hacia la columna. Asegúrese de que la cabeza se desliza hacia abajo en la columna en la medida de lo posible. Alinee la cabeza con la base.
- 3.2. Utilizando la llave hexagonal, apriete la cabeza bloquear tornillos de ajuste. **See Fig. 4**

4. Instalar la cabeza.

- 4.1. Levante con cuidado la cabeza encima de la columna y deslícelo hacia la columna. Asegúrese de que la cabeza se desliza hacia abajo en la columna en la medida de lo posible. Alinee la cabeza con la base.
- 4.2. Utilizando la llave hexagonal, apriete la cabeza bloquear tornillos de ajuste. **See Fig. 4**

5. Instalando alimentar manija

- 5.1. Busque los tres piensos controla en el cuadro de piezas sueltas.
- 5.2. Atomille los piensos asas en los agujeros roscados en el concetedor Apriete. **See Fig. 5.**

ASAMBLEA

5. Instalando el chuck

ADVERTENCIA: Antes de cualquier reunión del mandril y arbor al drill press jefe, limpie todas las superficies con un apareamiento sin petróleo producto; tales como el alcohol o thinner. Cualquier aceite o grasa utilizada en el envase y embalaje de estas partes deben ser eliminados; de lo contrario el portabrocas puede desprenderse durante la operación.

5.1 Abra las quijadas del chuck por rotación de la chuck manga las manecillas del reloj. Para evitar daños, asegúrese de que el tiburón son completamente alejado hasta el chuck.

5.2 Empuje el chuck folículo en el eje.

5.3. Utilizar un mazo de madera con firmeza tap el portabrocas introducirse en su lugar en el eje. **See Fig. 6.**

NOTA: Para quitar chuck realice lo siguiente:

- Gire el chuck manga las manecillas del reloj hasta las fauces ceder por completo en el chuck.

- Bajar la varilla en la medida en que se vaya a revelar el eje ranura.

See Fig.6A

- Levante la mesa con un posición justo por debajo del plato.

- Inserte la punta del chuck herramienta de eliminación en el eje ranura por encima de la punta del eje del mandril.

- Toque en el contundente el cuento de nunca acabar herramienta hasta el portabrocas de prensa de la spindle.

6. Instale el tirador de la cabeza la tapa. Fig. 7

7. Flexible lámpara

Instale la lámpara flexible

7.1. Conecte el enchufe lámpara contacto con la fuente de alimentación cable contacto en la perforación de como se muestra.

7.2. Utilice cuatro tornillos pan para instalar el ensamblaje de la lámpara para la perforación de como se muestra.

7.3. Encienda la lámpara flexible interruptor para comprobar la iluminación. **Fig. 8**

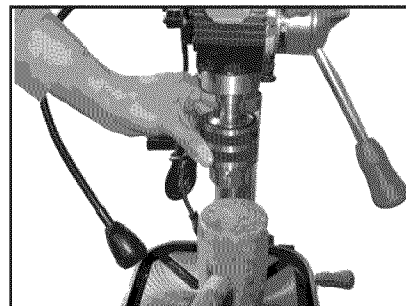


Figura 6

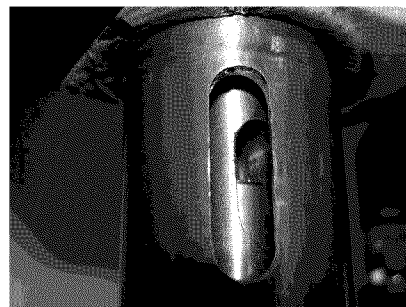


Figura 6A

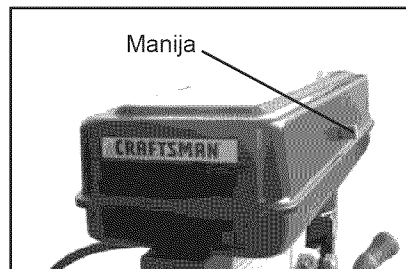


Figura 7

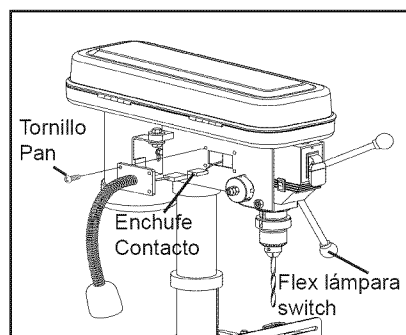


Figura 8

AJUSTE

1. Ajuste Tabla

A. Inclinación

- En la parte inferior del cuadro escuadra de soporte, de vuelta de tornillo suministrados con una llave hexagonal. Afloje gran tornillo de cabeza hexagonal. **See Fig. 9**
- Rotar tabla a ángulo deseado derecha o la izquierda. Utilice escala de bisel de ajuste preciso. **See Fig. 10**
- Apriete tornillo de cabeza hexagonal para garantizar mesa basculante. Tornillo de ajuste no deberían ser más estrictos cuando tabla está inclinado.
- Tabla para volver a su nivel, afloje gran tornillo de cabeza hexagonal. Rotar tabla a nivel posición. Utilice una llave hexagonal para apretar tornillos de ajuste. Atornillarla gran tornillo de cabeza hexagonal.

B. Ajuste de la Altura

Afloje el tornillo de pinza luego ajustar la tabla a su posición deseada girando el cuadro bracket manivela. **See Fig. 11**

C. Swing Adjustment 360°

Afloje la tabla bloqueo swing swing deje tabla hasta la posición deseada y vuelva a apretar el mango. **See Fig. 12**

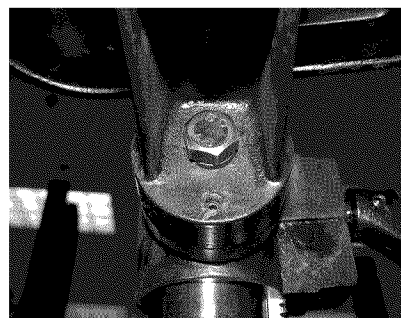


Figura 9

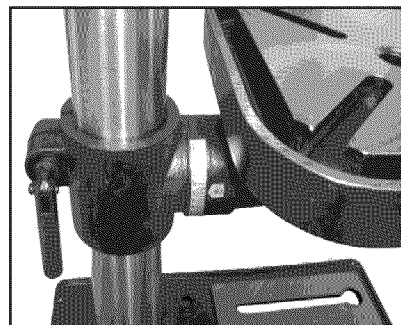


Figura 10

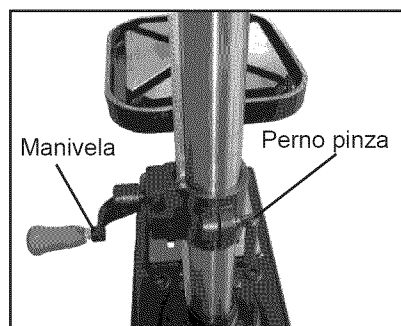


Figura 11

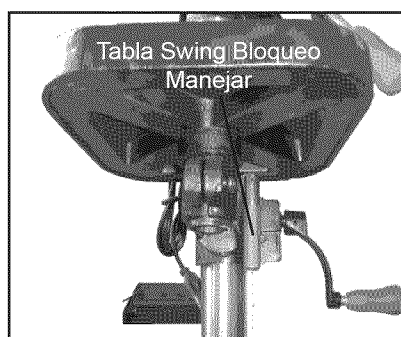


Figura 12

AJUSTE

ADVERTENCIA: Para evitar lesiones personales, siempre desconecte el cable de la fuente de energía para realizar cualquier tipo de ajuste.

2. Alimentar Ajuste Profundidad

El tope de profundidad se encuentra en los piensos manejar hub. Utilice el tope de profundidad para establecer con precisión y coherencia la necesaria profundidad de perforación. Afloje el tornillo de fijación profundidad detener, establezca la profundidad parar cuando sea necesario y posteriormente apretar el tornillo de fijación.

3. Ajuste de Velocidad

Esta prensa perforadora tiene 16 velocidades que se indica en la etiqueta velocidad situadas en la parte inferior de la cabeza la tapa. Para cambiar la velocidad, afloje la perilla de cierre tensión de la correa a cada lado de la cabeza. A continuación, utilice el ajuste palanca para sacar la placa de montaje motor hacia el extremo delantero del taladro jefe. Luego, cambie el cinturón ubicaciones en las poleas.

Apriete los cinturones, empujando el ajuste palanca hacia la parte trasera del taladro cabeza y bloquear la tensión de la correa mandos.

See Fig.13 and Fig.13A

4. Fusiformes Ajuste Resorte

El eje volver primavera puede necesitar un ajuste si la tensión causa al eje para volver demasiado rápido o demasiado lento. See Fig.14

4.1 Baje la mesa de espacio libre adicional.

4.2 Coloque un destornillador en la parte inferior delantera de primera (1) de la primavera (2). Manténgalo en el lugar mientras que aflojando y extraer sólo el exterior tuerca (3).

4.3 Con el destornillador aún están inmersos en la hendidura afloje la tuerca de interior (4), justo hasta la muesca (5) independientesm del boss (6) de la taladradora jefe.

PRECAUCIÓN: No retire la tuerca INTERIOR, Debido a que la primavera será forzosamente relajarse.

4.4 Gire cuidadosamente la primavera tapa (2) las agujas con el destornillador, activando el siguiente muesca.

4.5 Bajar la varilla en la posición más baja mediante la rotación de los piensos manejar en sentido antihorario mientras mantiene la primavera tapa (2) en la misma posición.

4.6 Si el eje se mueve hacia arriba y hacia abajo, con tanta facilidad como quieras, apriete la tuerca interior (4) con la llave ajustable. Si es demasiado flojo, repita los pasos 2 a 4 para apretar. Si es demasiado apretado, invierta pasos 3 y 4. NO SOBREPRIETE y restringir eje movimiento.

4.7 Reemplazar la tuerca (3) y ajuste con el anillo interior tuerca (4) para evitar que la tuerca interior de invertir.

5. MALACATE (Fig. 15B)

Rotar los piensos maneja las agujas del reloj para eje inferior a su posición más baja. Sujete el husillo y tratar de avanzar hacia atrás y adelante. Si no hay juego, haga lo siguiente:

5.1. Afloje la tuerca (1).

5.2. Gire el tornillo (2) las agujas del reloj para eliminar el juego, pero sin entorpecer el movimiento ascendente del eje.

5.3 Apriete la tuerca (1).

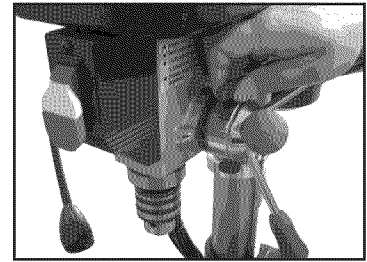


Figura 12

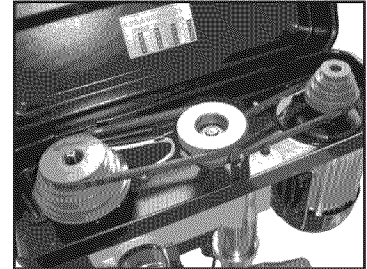


Figura 13

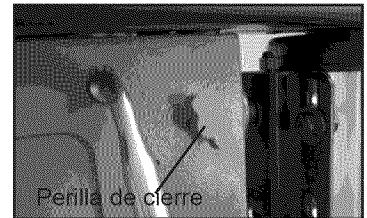


Figura 13A

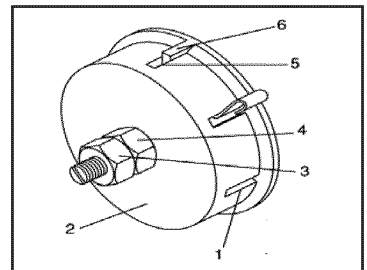


Figura 14

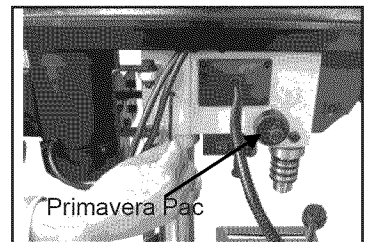


Figura 15A

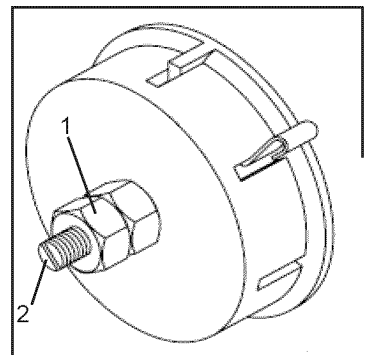


Figura 15B

OPERACIÓN

1. Instalando una broca See Fig. 13

- 1.1. Con el interruptor "OFF", abrir el chuck mandíbulas (1) usando el chuck clave (2). Gire el chuck clave las agujas del reloj para abrir el chuck mandíbulas (1).
- 1.2. Inserte la broca (3) en el chuck lo suficiente para obtener el máximo agarre de las mandíbulas, pero no lo suficiente para tocar el espiral surcos (flautas), de la broca cuando las mandíbulas se estrechan.
- 1.3. Asegúrese de que el taladro está centrada en la broca.
- 1.4. Gire el chuck clave las agujas del reloj para endurecer los maxilares.

ADVERTENCIA: Para evitar lesiones o accidentes por el chuck clave ejection obligatoriamente de la chuck cuando se conecta la alimentación, siempre verifique nuevamente y quitar el chuck clave antes de encenderlos.

2. Posicionamiento Pieza

Si no se usa tabla valla, para evitar que la pieza o material de apoyo de ser arrancados de sus manos mientras que la perforación, debe colocar, en contra de la parte izquierda de la columna. El no hacer esto podría resultar en lesiones personales. See Fig.14

3. Utilizando una prensa de tornillo

Para la pequeña pieza que no puede ser sujetado a la tabla, utilice una prensa perforadora vise. El sargento debe ser reprimido o atornillados a la tabla.

ADVERTENCIA: La taladradora vise debe ser reprimido o atornillados a la mesa para evitar daños en caso de un hilado pieza o dañado sargento o poco partes. See Fig.15

4. Taladrar un agujero, Agujerear

Mediante el uso de un centro o una inserción uñas afiladas, hacer una sangría en la pieza donde usted quiere perforar. Gire el interruptor de la alimentación y bajar las manijas de alimentación sólo lo suficiente para permitir que el taladro para cortar.

ALIMENTACIÓN DEMASIADO RÁPIDAMENTE puede hacer que el cinturón de seguridad o perforar a slip, desgarrar la pieza suelta o romper la broca. Cuando la perforación metal, será necesario para lubricar la punta de la broca con metal perforación de petróleo para evitar un sobrecalentamiento.

LA PERFORACIÓN A UNA PROFUNDIDAD ESPECÍFICA

Perforar un orificio ciego (no a todos el camino a través de la pieza) a una profundidad dada se puede hacer de dos maneras:

Pieza método (Figura 16 and 17)

1. Marca la profundidad (1) del agujero en el lateral de la pieza de trabajo. (Figura 16).
2. Con el interruptor "OFF", traerá la broca (2) hacia abajo hasta la punta del dedo es aún con la marca. (Figura 16).
3. Mantenga los alimentos manejar en esta posición.
4. Haga girar la tuerca del cable inferior (3) hacia abajo para ponerse en contacto con la profundidad stop lug (6) en la cabeza. (Figura 17).
5. Haga girar la tuerca superior (5) hacia abajo y apriete la tuerca del cable inferior contra. (3) (Figura 17).
6. La broca se deja ahora después de recorrer la distancia marcada en la pieza.

Profundidad escala método

1. Con el interruptor "OFF", gire el alimentar manejar hasta que el puntero (7) apunta a la profundidad deseada en el fondo escala (4) y celebrar los piensos manejar en esa posición.
2. Haga girar la tuerca del cable inferior (3) hacia abajo para ponerse en contacto con la profundidad stop lug (6).
3. Haga girar la tuerca superior (5) contra el menor parar tuerca y apriete.
4. La broca se detendrá después de recorrer la distancia seleccionada sobre la profundidad escala.

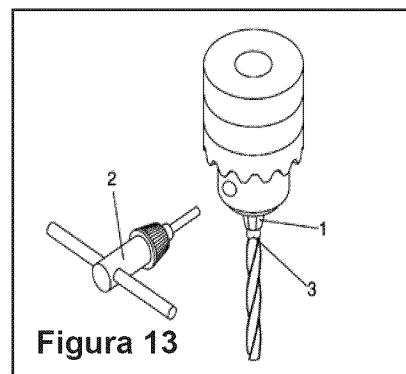


Figura 13

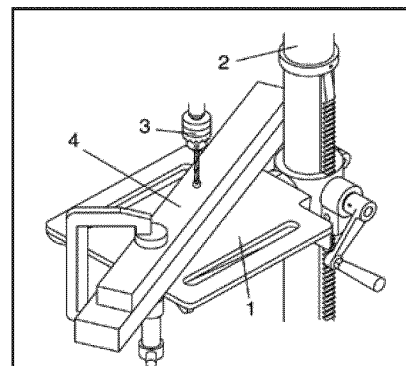


Figura 14

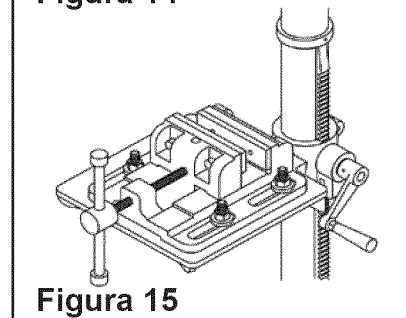


Figura 15

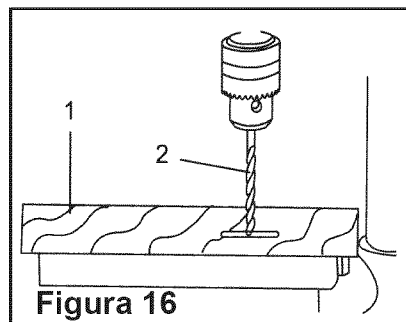


Figura 16

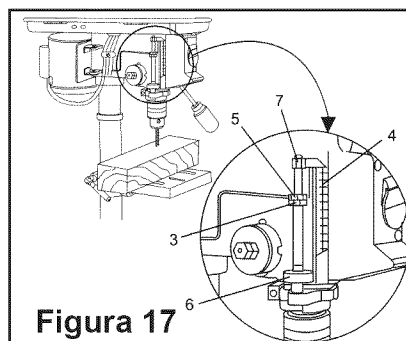


Figura 17

OPERACIÓN

4. Corregir la perforación velocidades

ADVERTENCIA: asegúrese de prensa perforadora está apagada y está desconectada sours antes de ajustar las velocidades.

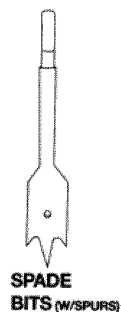
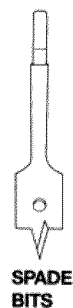
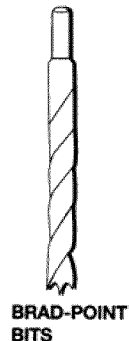
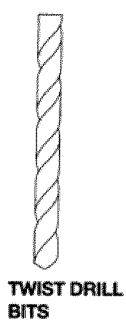
Utilizar la velocidad recomendada para la broca y pieza.

Las brocas que pueden ser utilizadas pueden verse en la figura siguiente:

Recomendó Las velocidades de operación (in RPMS)

| | MADERA BLANDA | MADERA DURA | ACRÍLICO | LATÓN | ALUMINIO | ACERAR |
|----------------------------------|------------------|----------------|----------|-------|----------|--------|
| BROCAS BITS | | | | | | |
| 1/16-3/16" (3-5mm) | 3000 | 3000 | 2500 | 3000 | 3000 | 3000 |
| 1/4-3/8" (6-10mm) | 3000 | 1500 | 2000 | 1200 | 2500 | 1000 |
| 7/16-5/8" (11-16mm) | 1500 | 750 | 1500 | 750 | 1500 | 600 |
| 11/16-1" (11-25mm) | 750 | 500 | NR | 400 | 1000 | 250 |
| BRAD-PUNTO BITS | | | | | | |
| 1/8" | 1800 | 1200 | 1500 | NR | NR | NR |
| 1/4" | 1800 | 1000 | 1500 | NR | NR | NR |
| 3/8" | 1800 | 750 | 1500 | NR | NR | NR |
| 1/2" | 1800 | 750 | 1000 | NR | NR | NR |
| 5/8 " | 1800 | 500 | 750 | NR | NR | NR |
| 3/4" | 1400 | 250 | 750 | NR | NR | NR |
| 7/8" | 1200 | 250 | 500 | NR | NR | NR |
| 1" | 1000 | 250 | 200 | NR | NR | NR |
| FORSTNER BITS | | | | | | |
| 1/4-3/8" | 2400 | 700 | 250 | NR | NR | NR |
| 1/2-5/8" | 2400 | 500 | 250 | NR | NR | NR |
| 3/4-1" | 1500 | 500 | 250 | NR | NR | NR |
| 1-1/8-1 1/4" | 1000 | 250 | 250 | NR | NR | NR |
| 1-3/8-2" | 500 | 250 | NR | NR | NR | NR |
| AZADÓN BITS | | | | | | |
| 1/4-1/2" | 2000 | 1500 | NR | NR | NR | NR |
| 5/8-1-1/2" | 1750 | 1500 | NR | NR | NR | NR |
| 1-1/8-1-1/2" | 1500 | 1000 | NR | NR | NR | NR |
| AZADÓN BITS CON ESPOLONES | | | | | | |
| 3/8-1" | 2000 | 1800 | 500 | NR | NR | NR |

NR - No se recomienda



MANTENIMIENTO

MANTENER LA TALADRADORA

ADVERTENCIA: Por su propia seguridad, apague el interruptor y quitar el conector de la fuente de energía antes del mantenimiento o lubricación de la taladradora. Con frecuencia golpee todo el polvo que se acumula dentro del motor con un compresor de aire o polvo vacío. Una capa de cera aplicada a la tabla y columna, ayudará a que la superficie limpia y ayudar a evitar la herrumbre.

Para evitar riesgo de incendio, si el cable de alimentación está desgastado o corte de cualquier manera, lo sustituirá inmediatamente.

LA LUBRICACIÓN.

Toda la prensa perforadora rodamientos de bolas están llenos de grasa en la fábrica. No es necesario dar mayores la lubricación. Eje inferior a profundidad máxima y moderadamente aceite una vez cada tres meses.

SOLUCIÓN DE PROBLEMAS

| Síntoma | Posible causa(s) | Medidas correctivas |
|-----------------------------------------------|-------------------------------------------------------------------------------------------------------------------------------------------------------------------------------------------------------------------|-----------------------------------------------------------------------------------------------------------------------------------------------------------------------------------------|
| <i>Funcionamiento ruidoso</i> | <ol style="list-style-type: none"> 1. Tensión de la correa incorrecta 2. Fusiformes Seco 3. Suelta eje 4. Suelta polea del motor | <ol style="list-style-type: none"> 1. Ajustar la Tensión 2. Lubricar eje 3. Apriete polea tuerca 4. Apretar tornillos de ajuste en polea |
| <i>Poco quemaduras o fuma</i> | <ol style="list-style-type: none"> 1. Velocidad incorrecta 2. Chips no va a salir del pozo 3. Sordo poco | <ol style="list-style-type: none"> 1. Cambiar de velocidad 2. Retraer poco clara para chips 3. Perfeccionar o sustituir poco |
| <i>Broca excesivo o wobble</i> | <ol style="list-style-type: none"> 1. Doblada poco 2. Bit no está correctamente instalado en chuck 3. Chuck no está correctamente instalado 4. Rodamientos gastados eje | <ol style="list-style-type: none"> 1. Reemplazar poco 2. Instalar poco correctamente 3. Instalar chuck correctamente 4. Reemplace los baleros |
| <i>Broca enlaza por pieza</i> | <ol style="list-style-type: none"> 1. Pieza sejecin poco o una excesiva presión de alimentación 2. Tensión de la correa inapropiado | <ol style="list-style-type: none"> 1. Apoyo o pinzar pieza de trabajo, disminuir presión de alimentación 2. Ajustar la tensión |
| <i>Destrozado por pieza suelta de la mano</i> | <ol style="list-style-type: none"> 1. No soportado, o una vez montado correctamente | <ol style="list-style-type: none"> 1. Apoyo o pinzar pieza de trabajo correctamente |

REPARAR ACUERDO DE PROTECCIÓN

REPARAR ACUERDO DE PROTECCIÓN

Felicitaciones por hacer una compra inteligente. Su nuevo producto Craftsman® está diseñado y fabricado por años de funcionamiento confiable. Pero al igual que todos los productos, podrá exigir reparación de vez en cuando. Es entonces cuando habiendo una reparación acuerdo de protección le puede ahorrar dinero y a la agravación.

Esto es lo que la reparación acuerdo de protección * incluye:

- Servicio de Expertos por nuestros 10.000 reparación profesionales especialistas**
- Servicio ilimitado y gratuito para las piezas y mano de obra en todas las reparaciones cubiertas**
- Reemplazo de productos hasta un total de 1500 si su producto ampara do no puede fijarse**
- Descuento del 25% del precio de los servicios relacionados con com ponentes instalados y no cubiertos por el acuerdo, también, el 25% de descuento precio regular de mantenimiento preventivo salir**
- Ayuda rápida por teléfono- lo llamamos resolución rápida - soporte telefónico de Sears representante. Piense en nosotros como "œtalking propietario del manual.-**

Una vez que usted compra la reparación acuerdo de protección, una simple llamada telefónica es todo lo que se necesita para programar servicio. Usted puede llamar a cualquier hora día o noche, o programar una cita de servicio en línea.

La reparación es un acuerdo de protección de riesgos compra libre. Si usted cancela por cualquier motivo durante el período de garantía, que nos proporcionará un reembolso completo. O bien, una devolución prorrateada anytime después del período de garantía caduca. Compre su reparación Protección acuerdo hoy!

Algunas limitaciones y exclusiones se aplican. Para precios e información adicional en los EE.UU. llame al 1-800 -827-6655. * Cobertura en Canadá varía sobre algunos temas. Para detalles completos llamar Sears Canadá al 1-800-361-6665.

Sears Instalación Servicio

En Sears instalación profesional de accesorios para el hogar, garaje garajes, calentadores de agua, y otros importantes temas domésticos, en los EE.UU. o Canadá llame al 1-800-4-MY-HOME®.

Get it fixed, at your home or ours!

Your Home

For troubleshooting, product manuals and expert advice:



www.managemylife.com

For repair – **in your home** – of all major brand appliances, lawn and garden equipment, or heating and cooling systems, **no matter who made it, no matter who sold it!**

For the replacement parts, accessories and owner's manuals that you need to do-it-yourself.

For Sears professional installation of home appliances and items like garage door openers and water heaters.

1-800-4-MY-HOME® (1-800-469-4663)

Call anytime, day or night (U.S.A. and Canada)

www.sears.com www.sears.ca

Our Home

For repair of carry-in items like vacuums, lawn equipment, and electronics, call anytime for the location of your nearest

Sears Parts & Repair Service Center

1-800-488-1222 (U.S.A.) 1-800-469-4663 (Canada)

www.sears.com www.sears.ca

To purchase a protection agreement on a product serviced by Sears:

1-800-827-6655 (U.S.A.) **1-800-361-6665** (Canada)

Para pedir servicio de reparación a domicilio, y para ordenar piezas:

1-888-SU-HOGAR®

(1-888-784-6427)

www.sears.com

Au Canada pour service en français:

1-800-LE-FOYER^{MC}

(1-800-533-6937)

www.sears.ca

The Sears logo, featuring the word "sears" in a lowercase, serif font.

® Registered Trademark / ™ Trademark of KCD IP, LLC in the United States, or Sears Brands, LLC in other countries

® Marca Registrada / ™ Marca de Fábrica de KCD IP, LLC en Estados Unidos, o Sears Brands, LLC in otros países

^{MC} Marque de commerce / ^{MD} Marque déposée de Sears Brands, LLC