

Owner's Manual



Riding Mower

Model No.
247.27020



CAUTION: Before using this product, read this manual and follow all safety rules and operating instructions.

- Safety
- Operation
- Maintenance
- Storage
- Español

For answers to your questions about this product, call:
1-800-659-5917
Sears Craftsman Help Line
(5 am. - 5 pm., Mon. - Sat.)

Sears, Roebuck And Co., Hoffman Estates, IL 60179 U.S.A.

Visit our website: www.sears.com/craftsman
Printed in U.S.A.

FORM NO. 769-00624
(1/2003)

TABLE OF CONTENTS

Content	Page	Content	Page
Warranty Information	2	Maintenance.....	20
Safe Operation Practices.....	3	Off-Season Storage.....	23
Slope Gauge	6	Trouble-Shooting.....	23
Assembly	7	Parts List.....	25
Operation	9	Espanol	46
Service & Adjustment	15	Customer Support	72

WARRANTY INFORMATION

LIMITED WARRANTY ON RIDING MOWER: For two (2) years from the date of purchase, if this Craftsman Riding Equipment is maintained, lubricated and tuned up according to the instructions in the owner's manual, Sears will repair or replace free of charge any parts that are found to be defective in material or workmanship according to the guidelines of coverage listed below. Sears will also provide free labor for these applicable warranted parts for the two full years. During first 30 days of purchase, there will be no charges to service the product at your home for issues covered by this warranty. (See exclusions below). For your convenience, IN HOME warranty service will still be available after the first 30 days of purchase, but a trip charge will apply. This charge will be waived if the product is dropped off at an authorized Sears location. For the nearest authorized Sears location, please call 1-800-4-MY-HOME®. This warranty applies only while this product is within the United States.

EXCLUSIONS

This Warranty does not cover:

- Expendable items which become worn during normal use, including but not limited to blades, spark plugs, air cleaners, belts, and oil filters.
- Standard Maintenance Servicing, oil changes or tune-ups
- Tire replacement or repair caused by punctures from outside objects, such as nails, thorns, stumps, or glass.
- Repairs necessary because of operator abuse, including but not limited to, damage caused by towing objects beyond the capability of the riding equipment, impacting objects that bend the frame or crankshaft, or over-speeding the engine.
- Repairs necessary because of operator negligence, including but not limited to, electrical and mechanical damage caused by improper storage, failure to use the proper grade and amount of engine oil, failure to keep the deck clear of flammable debris, or failure to maintain the equipment according to the instructions contained in the owner's manual.
- Engine (fuel system) cleaning or repairs caused by fuel determined to be contaminated or oxidized (stale). In general, fuel should be used within 30 days of its purchase date.
- Normal deterioration and wear of the exterior finishes, or product label replacement.
- Riding equipment used for commercial or rental purposes.

LIMITED WARRANTY ON BATTERY

For ninety (90) days from date of purchase, if any battery included with this riding equipment proves defective in material or workmanship and our testing determines the battery will not hold charge, Sears will replace the battery at no charge. During the first 30 days of purchase, there will be no charges to replace the battery at your home. After the first 30 days, for your convenience, IN-HOME warranty service will still be available but a trip charge will apply. This charge will be waived if the Craftsman product is dropped of at an authorized Sears location. For the nearest authorized Sears location, please call 1-800-4-MY-HOME®. This battery warranty applies only while this product is within the United States. This warranty gives you specific legal rights, and you may also have other rights, which vary, from state to state.

Sears, Roebuck and Co., Dept. 817WA, Hoffman Estates, IL 60179

PRODUCT SPECIFICATIONS

Horsepower:9.0
 Engine Oil 36 oz. or 1.1 liters
 FuelUnleaded Regular
 Spark Plug:P/N 802592
 Engine:.....198707-0141
 Ignition Key (Std.).....P/N 725-0201

MODEL NUMBER

Model Number 247.27020
 Serial Number.....
 Date of Purchase.....
 Record both serial number and date of purchase and keep in a safe place for future reference.

IMPORTANT SAFE OPERATION PRACTICES



WARNING: This symbol points out important safety instructions which, if not followed, could endanger the personal safety and/or property of yourself and others. Read and follow all instructions in this manual before attempting to operate this machine. Failure to comply with these instructions may result in personal injury. When you see this symbol—heed its warning.



WARNING: The Battery and Engine Exhaust contains chemicals known to the State of California to cause cancer, birth defects or other reproductive harm. The battery and posts contain lead; wash hands after handling.



WARNING: This machine was built to be operated according to the rules for safe operation in this manual. As with any type of power equipment, carelessness or error on the part of the operator can result in serious injury. This machine is capable of amputating hands and feet and throwing objects. Failure to observe the following safety instructions could result in serious injury or death.

General Operation

1. Read, understand, and follow all instructions on the machine and in the manual(s) before attempting to assemble and operate. Save this manual for future and regular reference and for ordering replacement parts.
2. Be familiar with all controls and their proper operation. Know how to stop machine and disengage them quickly.
3. Never allow children under 14 years old to operate this machine. Children 14 years old and over should read and understand operation instructions and safety rules in this manual and should be trained and supervised by parent.
4. Never allow adults to operate this machine without proper instruction.
5. To help avoid blade contact or a thrown object injury, keep bystanders, helpers, children and pets at least 75 feet from the machine while it is in operation. Stop machine if anyone enters the area.
6. Thoroughly inspect the area where the equipment is to be used. Remove all stones, sticks, wire, bones, toys, and other foreign objects which could be picked up and thrown by the blade(s). Thrown objects can cause serious personal injury.
7. Plan your mowing pattern to avoid discharge of material toward roads, sidewalks, bystanders and the like. Also, avoid discharging material against a wall or obstruction which may cause discharged material to ricochet back toward the operator.
8. Always wear safety glasses or safety goggles during operation and while performing an adjustment or repair to protect your eyes. Thrown objects which ricochet can cause serious injury to the eyes.
9. Wear sturdy, rough-soled work shoes and close-fitting slacks and shirts. Loose fitting clothes and jewelry can be caught in movable parts. Never operate this machine in bare feet or sandals.
10. Be aware of the mower and attachment discharge direction and do not point it at anyone. Do not operate the mower without the discharge cover or entire grass catcher in its proper place.
11. Do not put hands or feet near rotating parts or under the cutting deck. Contact with the blade(s) can amputate hands and feet.
12. A missing or damaged discharge cover can cause blade contact or thrown object injuries.
13. Stop the blade(s) when crossing gravel drives, walks, or roads and while not cutting grass.
14. Watch for traffic when operating near or crossing roadways. This machine is not for use on public roadway.
15. Do not operate the machine while under the influence of alcohol or drugs.
16. Mow only in daylight or good artificial light. Never carry passengers.
17. Disengage blade(s) before shifting into reverse. Back up slowly. Always look down and behind before and while backing to avoid a back-over accident.
18. Slow down before turning. Operate the machine smoothly. Avoid erratic operation and excessive speed.
19. Disengage blade(s), set parking brake, stop engine and wait until the blade(s) come to a complete stop before removing grass catcher, emptying grass, unclogging chute, removing any grass or debris, or making any adjustments.
20. Never leave a running machine unattended. Always turn off blade(s), place transmission in neutral, set parking brake, stop engine and remove key before dismounting.
21. Use extra care when loading or unloading the machine into a trailer or truck. This unit should not be driven up or down ramp(s), because the unit could tip over, causing serious personal injury. The unit must be pushed manually on ramp(s) to load or unload properly.
22. Muffler and engine become hot and can cause a burn. Do not touch.
23. Check overhead clearances carefully before driving under low tree branches, wires, door openings etc., where the operator may be struck or pulled from the unit, which could result in serious injury.
24. Disengage all attachment clutches, depress the brake pedal completely and shift into neutral before attempting to start engine.
25. Your machine is designed to cut normal residential grass of a height no more than 10". Do not attempt to mow through unusually tall, dry grass (e.g., pasture) or piles of dry leaves. Dry grass or leaves may contact the engine exhaust and/or build up on the mower deck presenting a potential fire hazard.

26. Use only accessories and attachments approved for this machine by the machine manufacturer. Read, understand and follow all instructions provided with the accessory or attachment.
27. Data indicates that operators, age 60 years and above, are involved in a large percentage of tractor-related injuries. These operators should evaluate their ability to operate the tractor safely enough to protect themselves and others from serious injury.
28. If situations occur which are not covered in this manual, use care and good judgment. Contact Sears service center for assistance.

Slope Operation

Slopes are a major factor related to loss of control and tip-over accidents which can result in severe injury or death. All slopes require extra caution. If you cannot back up the slope or if you feel uneasy, do not mow it.

For safety, use the slope gauge included as part of this manual to measure slopes before operating this unit on a sloped or hilly area. If the slope is greater than 15 degrees as shown on the slope gauge, do not operate this unit there.

Do:

1. Mow up and down slopes, not across. Exercise extreme caution when changing direction on slopes.
2. Watch for holes, ruts, bumps, rocks, or other hidden objects. Uneven terrain could overturn the machine. Tall grass can hide obstacles.
3. Use slow speed. Choose a low enough speed setting so that you will not have to stop or shift while on the slope. Tires may lose traction on slopes even though the brakes are functioning properly. Always keep machine in gear when going down slopes to take advantage of engine braking action.
4. Follow the manufacturer's recommendations for wheel weights or counterweights to improve stability of the machine. Use extra care with grass catchers or other attachments. These can change stability of the machine.
5. Keep all movement on the slopes slow and gradual. Do not make sudden changes in speed or direction. Rapid engagement or braking could cause the front of the machine to lift and rapidly flip over backwards which could cause serious injury.
6. Avoid starting or stopping on a slope. If tires lose traction, disengage the blade(s) and proceed slowly straight down the slope.

Do Not:

1. Do not turn on slopes unless necessary; then, turn slowly and gradually downhill, if possible.
2. Do not mow near drop-off sites, ditches or embankments. The mower could suddenly turn over if a wheel is over the edge of a cliff, ditch, or if an edge caves in.
3. Do not try to stabilize the machine by putting your foot on the ground.
4. Do not use a grass catcher on steep slopes.
5. Do not mow on wet grass. Reduced traction could cause sliding.
6. Do not shift to neutral and coast downhill. Over-speeding may cause the operator to lose control of the machine resulting in serious injury or death.

7. Do not tow heavy pull behind attachments (e.g. loaded dump cart, lawn roller, etc.) on slopes greater than 5 degrees. When going down hill, the extra weight tends to push the tractor and may cause you to lose control. (e.g. tractor may speed up, braking and steering ability are reduced, attachment may jack-knife and cause tractor to overturn).

Children

1. Tragic accidents can occur if the operator is not alert to the presence of children. Children are often attracted to the machine and the mowing activity. They do not understand the dangers. Never assume that children will remain where you last saw them.
 - a. Keep children out of the mowing area and in watchful care of a responsible adult other than the operator.
 - b. Be alert and turn machine off if a child enters the area.
 - c. Before and while backing, look behind and down for small children.
 - d. Never carry children, even with the blade(s) shut off. They may fall off and be seriously injured or interfere with safe machine operation.
 - e. Use extreme care when approaching blind corners, doorways, shrubs, trees or other objects that may block your vision of a child who may run into the machine.
 - f. Disengage the cutting blade(s) before shifting in reverse. The "No-Cut-In Reverse" feature emphasizes not to cut in reverse and to avoid back-over accidents; do not defeat it.
 - g. Keep children away from hot or running engines. They can suffer burns from a hot muffler.
 - h. Remove key when machine is unattended to prevent unauthorized operation.
2. Never allow children under 14 years old to operate the machine. Children 14 years old and over should read and understand the operation instructions and safety rules in this manual and should be trained and supervised by a parent.

Service

Safe Handling Of Gasoline

1. To avoid personal injury or property damage use extreme care in handling gasoline. Gasoline is extremely flammable and the vapors are explosive. Serious personal injury can occur when gasoline is spilled on yourself or your clothes which can ignite. Wash your skin and change clothes immediately.
 - a. Use only an approved gasoline container.
 - b. Never fill containers inside a vehicle or on a truck or trailer bed with a plastic liner. Always place containers away from your vehicle before filling.
 - c. When practical, remove gas-powered equipment from the truck or trailer and refuel it on the ground. If this is not possible, then refuel such equipment on a trailer with a portable container, rather than from a gasoline dispenser nozzle.

- d. Keep the nozzle in contact with the rim of the fuel tank or container opening at all times until fueling is complete. Do not use a nozzle lock-open device.
- e. Extinguish all cigarettes, cigars, pipes and other sources of ignition.
- f. Never fuel machine indoors.
- g. Never remove gas cap or add fuel while the engine is hot or running. Allow engine to cool at least two minutes before refueling.
- h. Never over fill fuel tank. Fill tank to no more than ½ inch below bottom of filler neck to allow space for fuel expansion.
- i. Replace gasoline cap and tighten securely.
- j. If gasoline is spilled, wipe it off the engine and equipment. Move unit to another area. Wait 5 minutes before starting the engine.
- k. To reduce fire hazards, keep machine free of grass, leaves, or other debris build-up. Clean up oil or fuel spillage and remove any fuel soaked debris.
- l. Never store the machine or fuel container inside where there is an open flame, spark or pilot light as on a water heater, space heater, furnace, clothes dryer or other gas appliances.
- m. Allow a machine to cool at least 5 minutes before storing.

General Service

- 1. Never run an engine indoors or in a poorly ventilated area. Engine exhaust contains carbon monoxide, an odorless, and deadly gas.
- 2. Before cleaning, repairing, or inspecting, make certain the blade(s) and all moving parts have stopped. Disconnect the spark plug wire and ground against the engine to prevent unintended starting.
- 3. Periodically check to make sure the blades come to complete stop within approximately (5) five seconds after operating the blade disengagement control. If the blades do not stop within the this time frame, your unit should be serviced professionally by an authorized dealer.
- 4. Check brake operation frequently as it is subjected to wear during normal operation. Adjust/service as required.

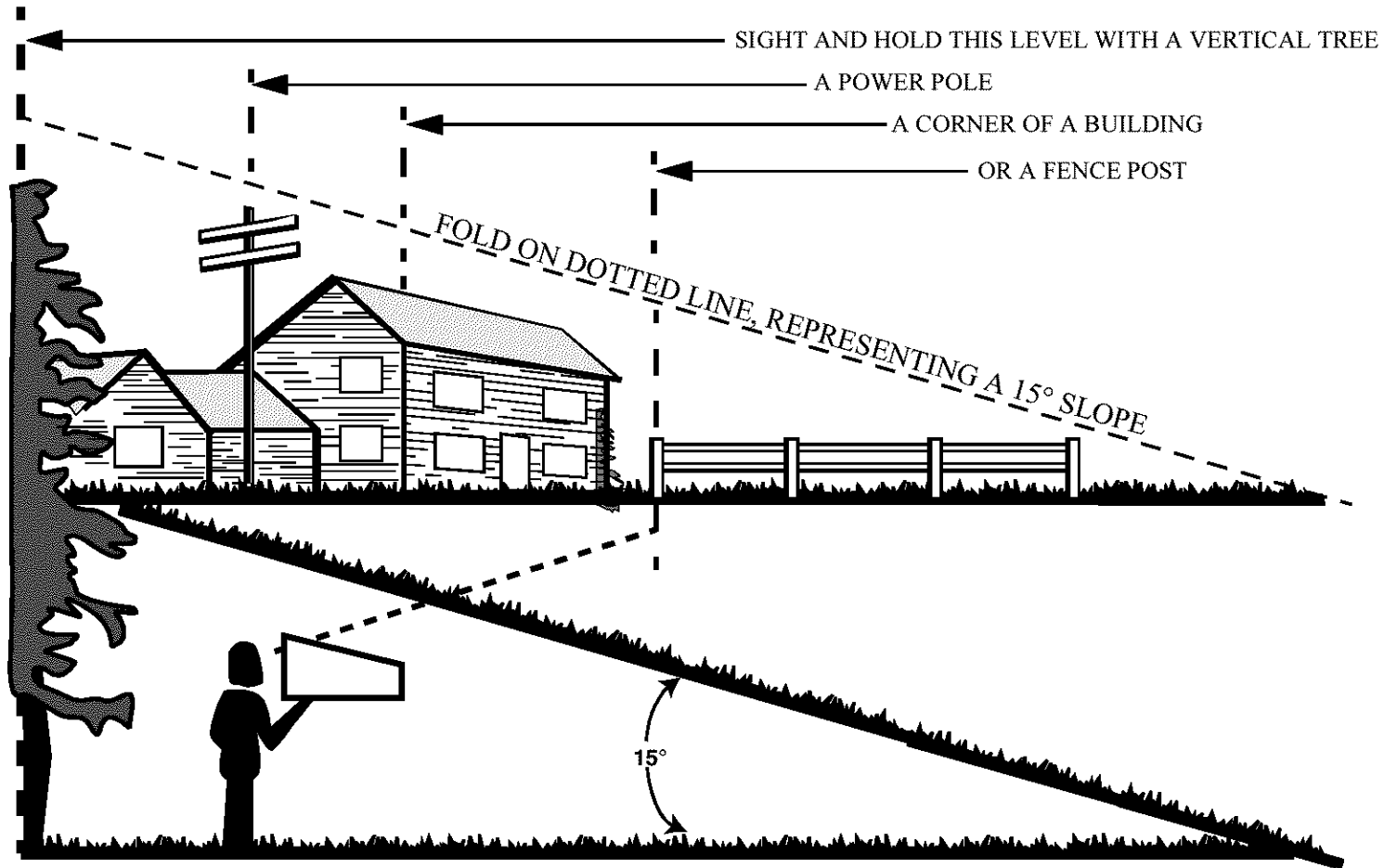
- 5. Check the blade(s) and engine mounting bolts at frequent intervals for proper tightness. Also, visually inspect blade(s) for damage (e.g., excessive wear, bent, cracked).
Replace the blade(s) with the original equipment manufacturer's (O.E.M.) blade(s) only, listed in this manual. "Use of parts which do not meet the original equipment specifications may lead to improper performance and compromise safety!"
- 6. Mower blades are sharp. Wrap the blade or wear gloves, and use extra caution when servicing them.
- 7. Keep all nuts, bolts, and screws tight to be sure the equipment is in safe working condition.
- 8. Never tamper with the safety interlock system or other safety devices. Check their proper operation regularly.
- 9. After striking a foreign object, stop the engine, disconnect the spark plug wire(s) and ground against the engine. Thoroughly inspect the machine for any damage. Repair the damage before starting and operating.
- 10. Never attempt to make adjustments or repairs to the machine while the engine is running.
- 11. Grass catcher components and the discharge cover are subject to wear and damage which could expose moving parts or allow objects to be thrown. For safety protection, frequently check components and replace immediately with original equipment manufacturer's (O.E.M.) parts only, listed in this manual. "Use of parts which do not meet the original equipment specifications may lead to improper performance and compromise safety!"
- 12. Do not change the engine governor settings or over-speed the engine. The governor controls the maximum safe operating speed of the engine.
- 13. Maintain or replace safety and instruction labels, as necessary.
- 14. Observe proper disposal laws and regulations for gas, oil, etc. to protect the environment.

Your Responsibility

Restrict the use of this power machine to persons who read, understand and follow the warnings and instructions in this manual and on the machine.

SLOPE GAUGE

USE THIS PAGE AS A GUIDE TO DETERMINE SLOPES WHERE YOU MAY NOT OPERATE RIDING MOWER SAFELY:



WARNING

Do not mow on inclines with a slope in excess of 15 degrees (a rise of approximately 2-1/2 feet every 10 feet). A riding mower could overturn and cause serious injury. If operating a walk-behind mower on such a slope, it is extremely difficult to maintain your footing and you could slip, resulting in serious injury. Operate RIDING mowers up and down slopes, never across the face of slopes. Operate WALK-BEHIND mowers across the face of slopes, never up and down slopes.

ASSEMBLY

Unpacking

1. Remove all screws and staples from the crate.
2. Holding sides of the crate firmly, lift top of the crate up and set it aside. Avoid tire punctures.
3. Remove and discard plastic bag covering the unit.
4. Lift the rear of the mower and clear the bottom of the crate. Repeat for the front.
5. Be sure the parking brake is disengaged. See Figure 6 for location of the parking brake.
6. Roll unit out of the crate.

Loose Parts

Remove loose parts from the grass catcher and/or the crate very carefully. Compare with list and illustration (Figure 1) below.

- i. Mulching plug & side-discharge chute
- ii. Oil drain sleeve
- iii. Ignition keys (not shown)
- iv. Operator's manual (not shown)

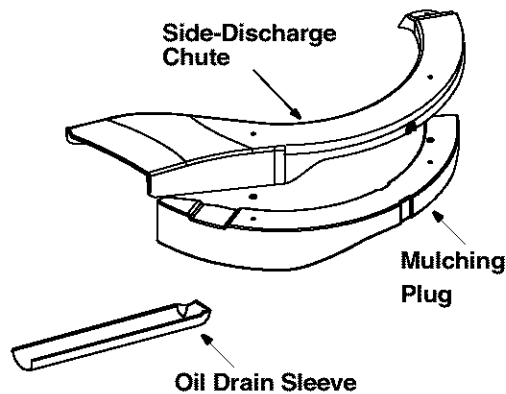


Figure 1

NOTE: Reference to *RIGHT* or *LEFT* side of the tractor in this manual is observed from operator's position.

- Your riding mower is shipped with motor oil in the engine. However, you **must** check the oil level before operating. Be careful not to overfill.

Attaching Battery Cables

The battery is located under the hood assembly above the left rear wheel. Refer to Figure 3 .

1. To access the battery, lift the hood assembly from the left side of the hood only. Stand on the right side of the unit and pivot the hood assembly towards you until fully opened. See Figure 2 .

NOTE: *Do not* lift the hood assembly by the two vent openings located behind the seat.

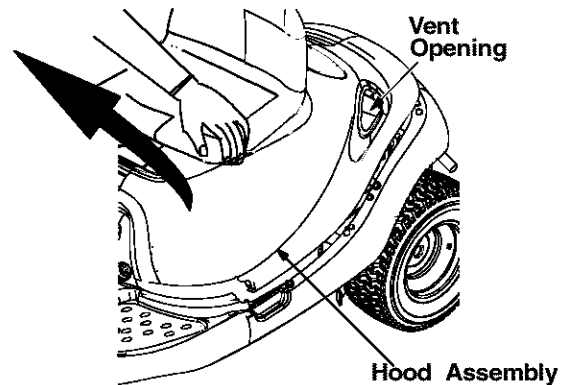


Figure 2

2. Remove both wing nuts securing the battery and cover to the battery hold-down rods. See Figure 3 .
3. Remove red and black insulation caps from battery terminals. See Figure 3 .
4. Remove battery terminal screws with a Phillips screw driver or a 10 mm. socket wrench.
5. Attach the red battery cable to the positive terminal (marked +), and the black battery cable to the negative terminal (marked -) on the battery. See Figure 3 .

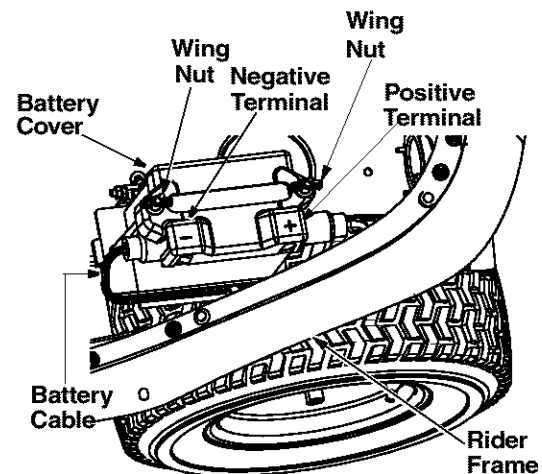


Figure 3

6. Align the cables with the slots in the battery cover and tighten the screws on the battery terminals.



WARNING: Press the battery cables against side of battery so that these do not make contact with flange of rider frame when opened or closed.

7. Reassemble the battery cover to the hold-down rods on two ends with the two wing nuts removed earlier. Check to ensure that the cables pass easily through slots in cover.

- Place right hand on the left side of the seat and slowly lower the hood assembly until fully closed.

NOTE: Do not place your hand around the bottom edge of the hood assembly; it may get pinched between the hood assembly and grass catcher or the frame rail.

Attaching Side-Discharge Chute



WARNING: Battery posts, terminals and related accessories contain lead and lead compounds. Wash hands after handling.

Your riding mower is shipped to you with the grass catcher fully assembled on the unit. A side-discharge chute and a mulching plug are included as loose parts. Follow the instructions below to attach the side-discharge chute.



WARNING: Do not operate the mower if any one or more of the grass catcher, discharge chute or mulching plug is not firmly installed on the mower.

- Pivot the hood assembly up and lower the cutting height adjustment lever to the lowest position.
- Remove the two wing nuts (A and B in Figure 4) from two ends of the grasscatcher chute.
- Slide the grasscatcher chute to the right and out of the deck frame. Slide the side-discharge chute in and place it on the deck so that the two wing nut positions align with those on the deck.
- Reinsert wing nuts A and B and tighten.

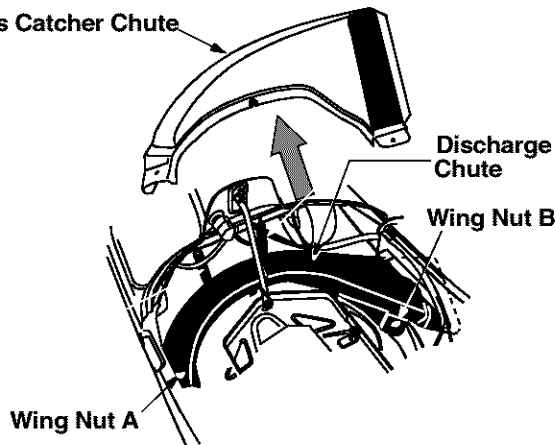


Figure 4

Attaching Mulch Plug

While operating your riding mower, you have three options: (i) to collect grass clippings in the grass catcher, (ii) to discharge grass clippings on the side, or (iii) to mulch grass and recirculate clippings back to the lawn. For the third option, attach the mulching plug to the side-discharge chute and then to the deck.

- Put two hex bolts through the mulching plug at the respective openings. See Figure 5.
- Place speed nuts over the hex bolts.

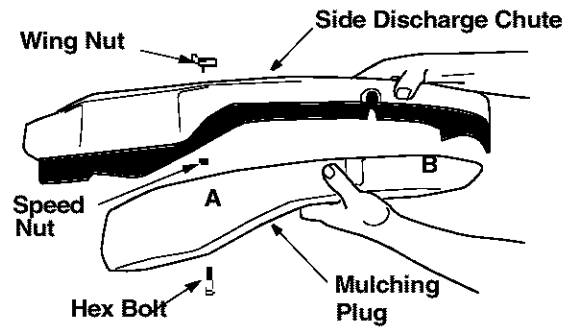


Figure 5

- Insert the plug into the side-discharge chute aligning the two slots on two sides of the side-discharge chute with those on the mulching plug.
- To attach the mulching plug now to the unit, follow instructions on previous page to attach side-discharge chute to the deck.
- Place wing nut on each of the hex bolts and thread a few turns. See Figure 5. Check that the mulch plug is aligned correctly within the discharge chute.
- Tighten both wing nuts.

OPERATION

Know Your Riding Mower

Compare the illustrations in Figure 6 with your riding mower to familiarize yourself with the location of various controls and adjustments.



WARNING: The operation of any riding mower can result in foreign objects being thrown into the operator's eyes, causing severe eye damage. **Always wear safety glasses** before operating the mower, or while performing any adjustments or repairs on it.

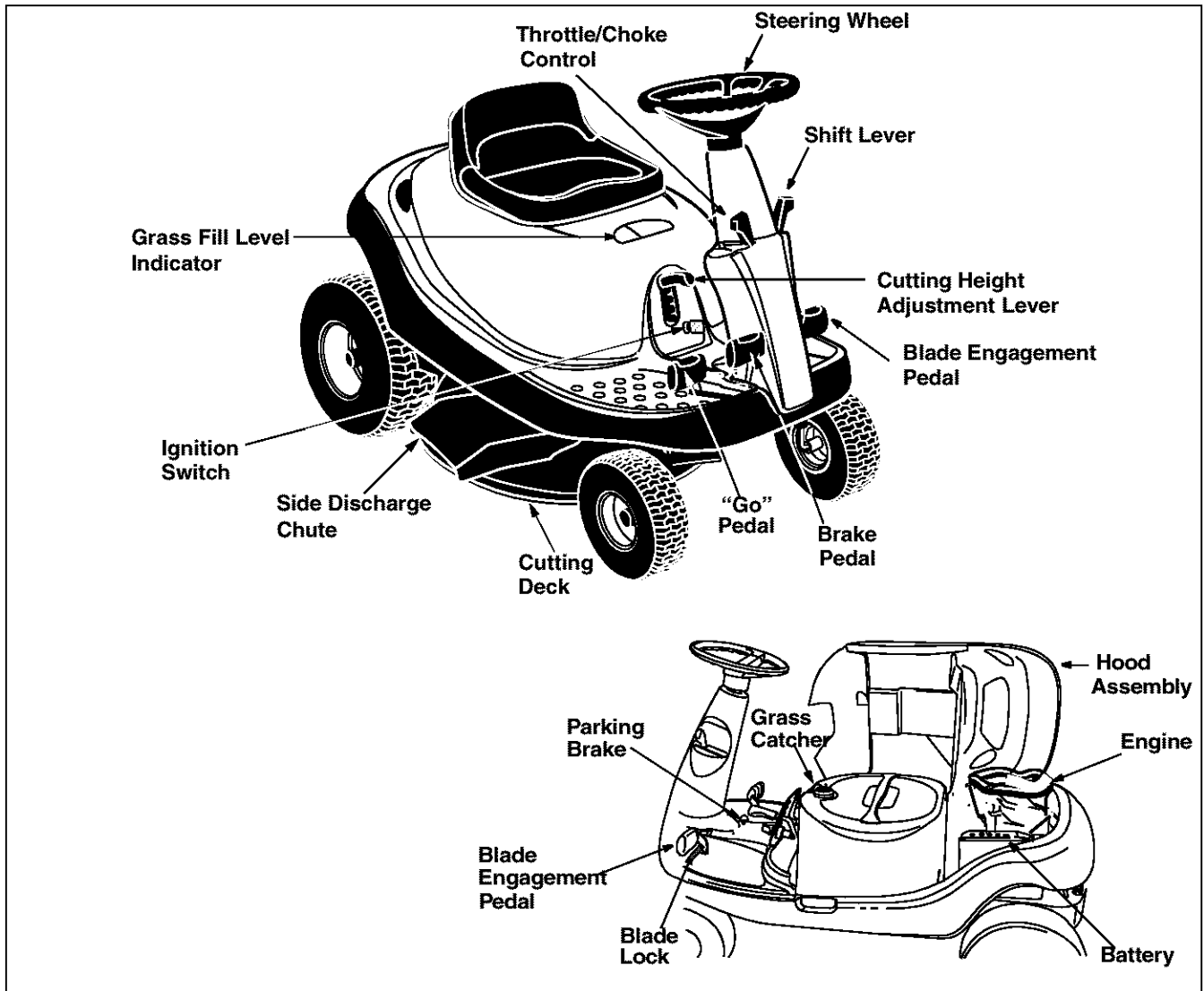


Figure 6

Throttle/Choke Control: Use to regulate the engine speed and to start the engine.

“Go” Pedal: Use to regulate the ground speed of the riding mower.

Ignition Switch: Use to turn the engine ON or OFF.

Shift Lever: Use to change direction of the mower.

Grass Fill Level Indicator: Use to determine the level of grass clipping in the bag and when to empty it.

Parking Brake: Use to stop the mower from moving while parked.

Blade Engagement Pedal: Use to engage or disengage the blade.

Blade Lock: Use to lock blade at the engaged position.

Cutting Height Adjustment Lever: Use to raise and lower the cutting deck which determines the cutting height.

Brake Pedal: Use to stop the mower's forward or reverse motion.

- Know location and function of all controls.
- Be sure blades and engine are stopped before placing hands or feet near blades.
- Before leaving operator's position, disengage blade(s), place the shift lever in neutral, engage parking brake, shut engine off and remove key.

Stopping the Riding Mower

1. Release blade engagement pedal all the way.
2. Release "Go" Pedal and depress the brake pedal.
3. When the mower comes to a complete stop, place the shift lever in neutral.
4. Engage the parking brake by pulling up on the parking brake knob.
5. Turn the ignition key to OFF position and remove the key.

Emergency Stopping

To stop the vehicle immediately in an emergency, raise your body up and off the seat.

Safety Interlock

This unit is equipped with a safety interlock system for your protection. The interlock safety switches are connected to the brake pedal, the blade engagement pedal, the shift lever, and the seat.

The purpose of the safety interlock system is threefold:

- To prevent the engine from starting unless the brake pedal is depressed and the blade engagement pedal is disengaged;
- To shut off the engine if the blade pedal is not disengaged when the shift lever is put into **reverse**; and
- To shut the engine off when the operator leaves the seat without engaging the parking brake.



WARNING: To avoid the risk of serious injury, do not operate the riding mower if the interlock system is malfunctioning.

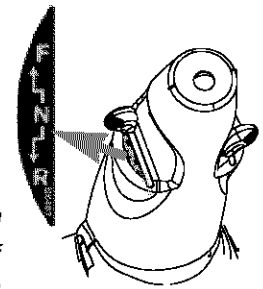
Using Shift Lever

This lever is used to regulate direction of the riding mower. It can be set at forward, neutral, or reverse settings. These settings are marked F, N, and R respectively on the unit. **This unit is designed not to mow when the shift lever is in R position.**

1. Before you move the shift lever to any of the positions, depress the brake pedal and stop the

unit. Keep your foot on the brake pedal.

2. The shift lever is locked at the N position. Move the lever outwards (left) and slide the lever upward to F or downward to R position as desired.

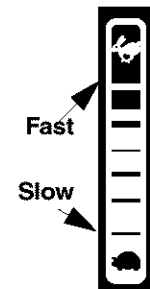


NOTE: Look at the rear and make sure the path is free of obstacles before positioning the shift lever to the reverse.

3. Do not force the shift lever. If it does not shift, release the brake pedal slightly to line up the shifting collar in the transmission, then try to move the shift lever.
4. Slowly release the brake pedal and take your foot off the pedal. Always make sure that there is no one in the way when you run the mower.

Using Throttle/Choke Control

The throttle/choke control is used to increase or decrease the speed of the engine. The FAST and the SLOW positions are marked with illustrations of a rabbit and a turtle respectively.

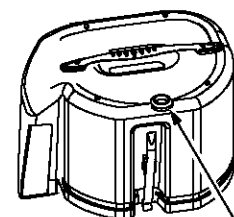


- For normal operation and when using a grass catcher, move the throttle/choke control to the FAST position.
- For maximum charging of the battery and also for a cooler engine while running, move the throttle/choke control to the FAST position.
- For transport and to tow pull-behind attachments, move the throttle/choke control to the SLOW.

NOTE: Do not adjust the governor to increase or decrease the engine speed. The governor is set at the factory for maximum engine performance, and should not be altered.

Grass Fill Level Indicator

This indicator was designed to add convenience to your riding mower. While the mower is running, air will flow through the discharge chute and into the grass catcher. If the grass catcher is **empty**, air flows through easily pushing the ball up. If the grass catcher is **full**, air does not flow through it allowing the ball to fall. So if you see the ball in the grass catcher fill level indicator falling



Grass Fill Level Indicator

down, you should stop the mower and empty the bag.

Engine Model

This is a single cylinder, L-head, air-cooled engine. It is a low emissions engine.

NOTE: In the state of California, the 190000 series engines covered in this manual are certified by the California Air Resources Board to meet emissions standards for 125 hours. Such certification does not grant the purchaser, owner or operator of this engine any additional warranties with respect to the performance or operational life of this engine. This engine is warranted solely according to the product and emissions warranties stated elsewhere in this manual.

Bore 3 in. (76.20 mm)

Stroke 2-3/4 in. (69.85 mm)

Displacement 19.44 cu. in. (318.5 cc)

IMPORTANT: For practical operation, the horsepower loading should not exceed 85% of rated horsepower. Engine power will decrease 3-1/2% for each 1,000 feet (300 meters) above sea level and 1% for each 10 F (5.6 C) above 77 F (25 C). Engine will operate satisfactorily at an angle up to 15 degrees.

Tune-up Specifications

Armature air gap 0.010 – 0.014 in. (0.25 – 0.36 mm)

Spark plug gap 0.030 in. (0.76 mm)









Valve clearance with valve springs installed and piston 1/4 inch (6 mm) past top dead center (check when

engine is cold).

Intake .005 – .007 in. (.13 – .18 mm)

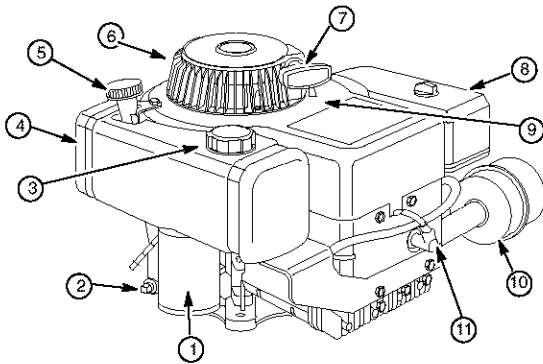
Exhaust .007 – .009 in. (.18 – .23 mm)

Symbols Used On The Engine

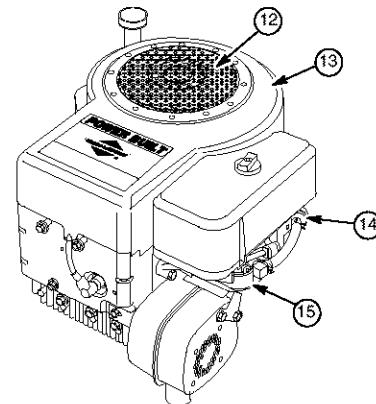
Message	Symbol
Safety alert	
On off	
Read owner's manual	
Oil	
Fuel shut-off	
Choke	
Fuel	
Stop	

For hazard symbol meanings, refer to page 41.

Engine Controls:



1. 12 V electric starter
2. Oil drain plug
3. Fuel fill
4. Fuel tank
5. Oil fill/Dipstick
6. Finger guard
7. Rope handle
8. Air cleaner



9. Engine Model Type Code
xxxxx xxxx xx xxxxxxxx
10. Muffler/(Muffler guard, if equipped)/
(Spark arrester, if equipped)
11. Spark plug wire
12. Rotating screen
13. Blower housing
14. Fuel filter
15. Carburetor

Figure 7

Using Parking Brake

To engage

1. Completely push the brake pedal down and stop the unit.
2. With your right foot on the brake pedal, move the shift lever to the neutral position.
3. Continuing to hold down the brake pedal with your right foot, pull up the parking brake knob. Make sure the parking brake holds the unit.
4. Release the brake pedal. Stop engine and remove ignition key. Now your riding mower is parked.

To release

5. Depress the brake pedal. The parking brake will be automatically disengaged.

Before Starting

Filling Up Oil

Check oil level in the engine oil sump before starting the engine. (Oil sump capacity: 36 oz./1.1 liter)

1. Place the mower on level ground and flip the hood assembly up to access the engine.

NOTE: *Do not lift the hood assembly by the two vent openings located behind the seat.*

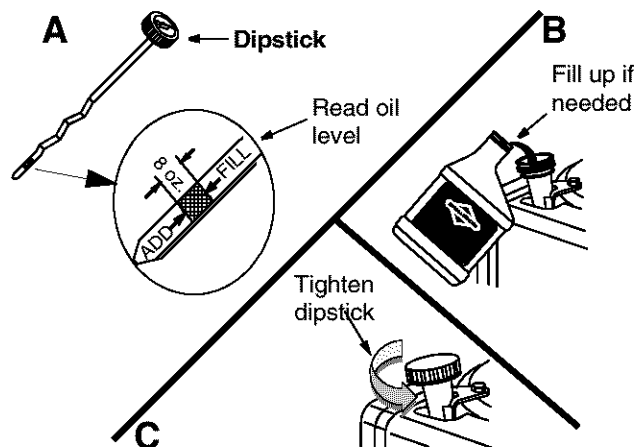


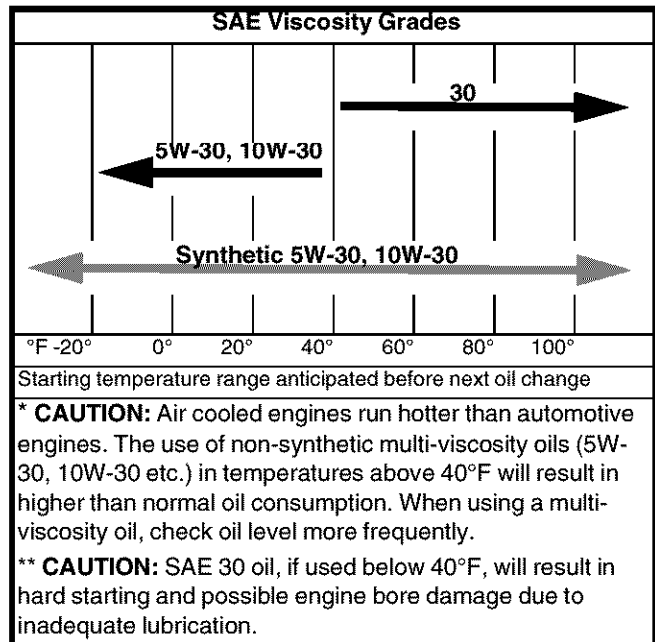
Figure 8

2. Remove dipstick and wipe it clean with cloth.
3. Replace and tighten the dipstick. Remove the dipstick again and check the oil level mark on it. The oil level should be at FULL line on the dipstick. See Figure 8A. If the level is short of that, add oil to the oil fill slowly. Recheck the oil level on the dipstick. If needed, add more oil. See Figure 8B. Do not overfill.

NOTE: *The riding lawn mower is shipped with oil in the engine crankcase.*

4. Place the dipstick in position and tighten to secure. See Figure 8C.

Type of Oil



1. Refer to the chart above for proper grade of oil.
2. Use a high quality detergent oil classified "For service SF, SG,SH, SJ" or higher.
3. Do not use special additives.

NOTE: *Synthetic oil meeting ILSAC GF-2, API certification and API service symbol with "SJ/CF Energy Conserving" or higher is an acceptable oil at all temperatures. Use of synthetic oil does not alter required oil change intervals.*

Battery

Ordinarily the battery is charged and ready for use; so you will not have to charge it before starting. However, if the battery is put into service for the first time after the date shown on the side of the battery, you will have to charge it for a minimum of one hour at 4-6 amps.

The battery is located under the hood assembly above the left rear wheel. Refer to Figure 3 .

Filling Up Gasoline



WARNING: Fill fuel tank outdoors or in well-ventilated area, away from sparks, open flames, pilot lights, heat and other ignition sources.

NOTE: *On a riding mower which has already been started and/or operated once immediately prior to this gasoline fill-up, turn engine off and let cool at least two minutes before removing gas cap.*

1. Remove gas tank cap and fill tank to approximately 1.5 inches below top of neck to allow for fuel expansion. Be careful not to overfill.

2. Replace cap on the gas tank and tighten to secure.

NOTE: If fuel spills on part of engine or vehicle, wait until it evaporates before starting engine.

Type of Gasoline

- Use clean, fresh, regular unleaded gasoline with minimum 77 octane rating.
- Do not use gasoline mixed with methanol, or gasoline which has been stored for more than 30 days. Always purchase fuel in quantity that can be used up within 30 days. Fresh fuel prevents gum from forming in the fuel system or on carburetor.
- Do not mix gasoline with engine oil.

NOTE: Some fuels, called oxygenated or reformulated gasoline, are blended with alcohol or ether. Using these blends frequently can damage the fuel system or affect performance. If engine performance is affected, use gasoline with lower percentage of alcohol or ether.

Starting Engine

1. Attach the wire to the spark plug.
2. Depress the brake pedal with your right foot.
3. Set throttle/choke control in the CHOKE position (all the way forward).
4. Place the shift lever in the NEUTRAL position.
5. Turn ignition key to the START position. Once the engine starts, let key return to ON position.
6. Move throttle/choke control out of CHOKE position and into FAST throttle position.

Operating the Riding Mower

1. Depress the brake pedal so that the parking brake is disengaged.
2. Place the shift lever in either the FORWARD or the REVERSE position as you desire. **Look to the rear and check before backing up.**
3. Release the brake pedal.
4. Depress the "Go" Pedal.
5. To stop, release the "Go" Pedal and depress the brake pedal.
6. Press the blade engagement pedal downward until the blades are turning. The blades can be engaged either while the mower is moving or standing.



WARNING: When the blades are engaged, keep hands and feet away from the discharge opening, the blades or any part of the deck.

NOTE: Your riding mower is equipped with a blade lock to keep the blade engaged without the operator having to depress the blade pedal continuously. See Figure 6.

7. **To engage the blade lock:** While pressing down on the blade pedal, push the blade lock down with your heel. It should click into the "blade engaged" position. To disengage the blade lock, simply push down on the blade pedal and release the lock.

Stopping the Riding Mower

See page 10 for detailed instruction.

NOTE: Do **not** leave the key in the ON position when you are not operating the mower. Such action will drain the battery dead.

To Empty Grass Catcher

1. Stop the mower completely, pull up on the parking brake knob and take the ignition key out. Get off the operator's seat.
2. Pivot the hood assembly up. Pull up the grasscatcher bag by the handle and take it to the proper disposal site. See Figure 9.
3. Hold the bag away from your body. Push down on the bag lever and let the bottom section of the bag fall downwards. Grass clippings will be disposed off from the bottom. See Figure 9.
4. Tap the bag on the ground so that the three legs of the bag press against the ground. The bag lever should snap close while you push the bag downwards.
5. Replace the bag on to the mower making sure the bag is placed on the flange on top of the discharge chute. Pivot the hood assembly down.

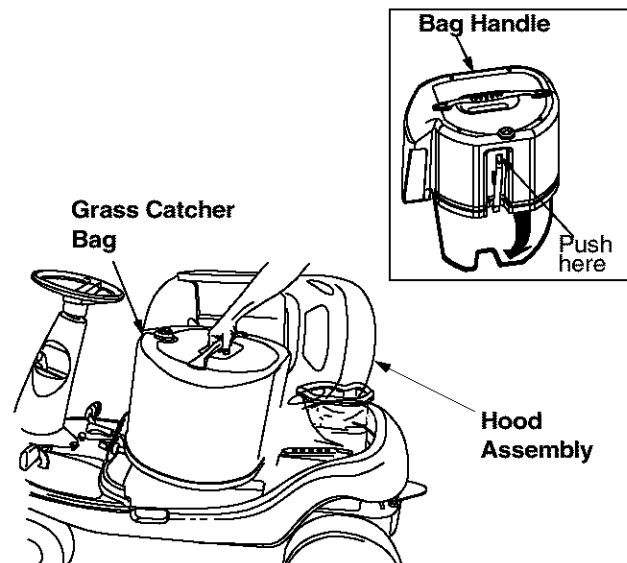


Figure 9

Using the Riding Mower

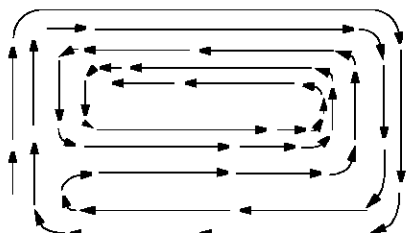
Observe safety rules listed on pages 3-5 of this manual for safe operation of your riding mower.

- Before mowing, make sure that the cutting deck is leveled. For deck adjustment, refer to page 16.
- You can engage the blade by pressing on the blade engagement pedal with your left foot while sitting at the operator's position.
- When mowing an area for the first time, watch out for objects lying on the grass. If you strike a foreign object, stop the engine. Remove wire from spark

plug and thoroughly inspect the riding mower for any damage. Repair the damage before operating it again.

- Avoid scalping the lawn by adjusting the cutting height upwards and/or sharpening the blades.
- Mow at full throttle. Learn the terrain on which you are mowing. For best mowing results, mow only when the grass is dry.

The recommended mowing pattern is given below:



- Mow grass often and in regular intervals so that you can cut only 1/3 of the grass blade in one mowing.

- To empty grass bag, **stop the riding mower completely**, engage the parking brake, and turn the ignition off. This will prevent the hot engine exhaust gas from browning the grass.
- Many communities no longer haul grass clippings to landfills. Composting the clippings from your grass catcher is a viable solution. For this you will have to empty the grass catcher at the designated composting site.

Mulching

- Your riding mower is equipped with a mulching plug to mulch the grass and recycle into the lawn instead of collecting in the grasscatcher bag.
- Mulch only when the grass is dry. Mulching wet grass may damage the underside of the deck because wet grass tends to stick to it. Clean deck thoroughly if you mulch wet grass.
- For effective mulching, overlap mowing paths so that the clippings are distributed evenly.

SERVICE & ADJUSTMENTS

Adjustments



WARNING: Do not make any adjustment to the riding mower without first stopping engine and disconnecting spark plug wire.

Brake Pedal

During normal operation of the riding mower, the brake is subject to wear and tear. Check the brake periodically by carrying out the following test:

1. Release the parking brake and place the riding mower in neutral. Depress the brake pedal and try to roll the riding mower. The tractor should not move. If the tractor moves, adjust the brake.



WARNING: Do not adjust the brake while the engine is running. Be sure to block the wheels of the riding mower before making any adjustments on the brake cable.

Adjustment to the brake pedal is made at the cable end. See Figure 10 .

2. Set the parking brake and turn ignition key off.
3. Shift the cutting height lever to the lowest position.
4. Pivot the hood assembly up and remove the grasscatcher bag and the side-discharge chute or the mulching plug from the riding mower.
5. Disconnect wire from the spark plug.
6. Locate the brake cable on the right side under the front housing. See Figure 10 .
7. Using a pair of 1/2" wrenches, loosen the jam nuts and back the cable out to tighten or thread inward to loosen. See Figure 10 inset.
8. Retighten the jam nuts when proper tension is reached.

9. Unlock parking brake and repeat the test described above. Readjust if necessary.

"Go" Pedal

Adjustment to the "Go" Pedal is made at the cable end. See Figure 10 .

1. Set the parking brake and turn ignition key off.
2. Shift the cutting height lever to the lowest position.
3. Pivot the hood assembly up and remove the grasscatcher bag and the side-discharge chute or the mulching plug from the riding mower.
4. Disconnect wire from the spark plug.
5. Locate the speed control cable under the front housing. See Figure 10 .
6. Loosen the jam nuts and back the cable out to tighten or thread inward to loosen as shown.
7. Retighten the jam nuts when proper tension is reached.
8. Reconnect the spark plug wire and pivot the hood assembly down.

Cutting Height

The deck cutting height adjustment lever is located on the hood assembly. For a representation of the cutting height positions, refer to Figure 6.

1. Pull the lever out of the slot and slide it upward or downward to the desired cutting height.
2. Lower the cutting height to mow close to the ground.
3. Raise the deck height to the highest position when you ride on a sidewalk or a road.
4. To mow tall or thick grass, move the cutting height adjustment lever to the highest position and cut. Then move the lever to a lower position and cut again.

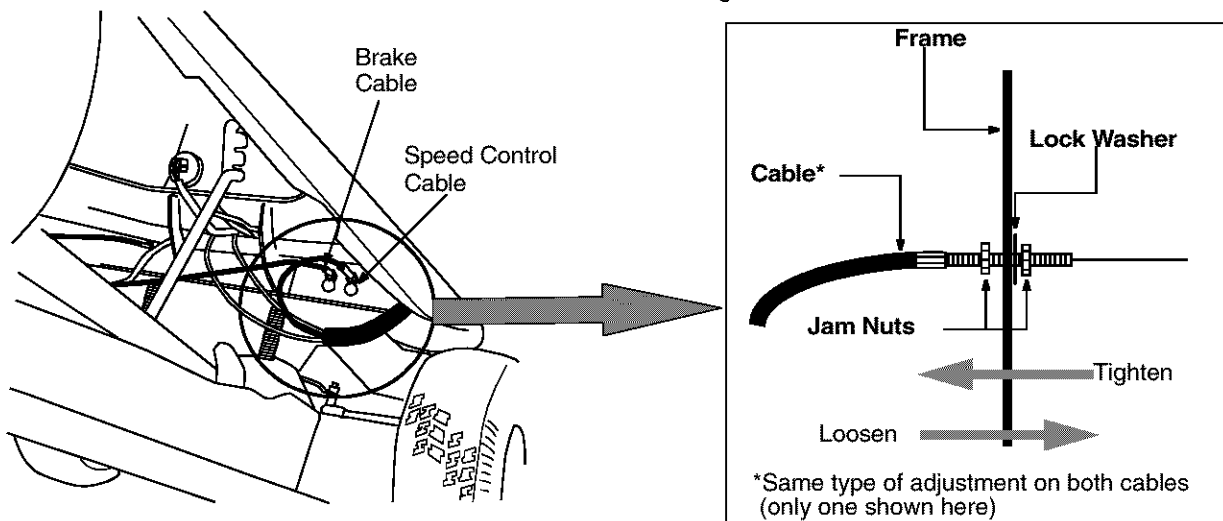


Figure 10

Seat Position

The seat position on the riding mower can be adjusted to maximize the operator's convenience.

1. Stop the mower completely and engage the parking brake. Turn ignition off.
2. Pivot the hood assembly up.
3. Loosen the four self-tapping screws on the bottom of the seat.
4. Slide the seat forward or backward in the slot, and position it as desired. Retighten the four screws.

Blade Brake/PTO

The blade engagement pedal should be adjusted so that if you depress it about 3/4" from the front of the slot, it should start engaging the deck belt. The PTO (power take off) switch is located in the blade brake slot on the left side of the upper frame. See Figure 11. The brake engagement pedal needs to make contact with the PTO switch for the engine to start.

Under normal operation, the blade engagement pedal should not require frequent adjustment. However, perform the following test periodically and make sure that it is in fine working condition.

1. Pivot the hood assembly up and check if there is enough slack on the deck engagement cable.
2. Depress the blade engagement pedal (about 3/4 inch) and check if the belt is engaging.
3. If the cable is tight or too loose or the belt is not engaging, adjust the deck engagement cable.

NOTE: The deck engagement cable will be correctly adjusted when the cable moves approximately 1/2" off center line in both directions.

Adjustment to the blade brake will have to be made at the cable end. See Figure 11.

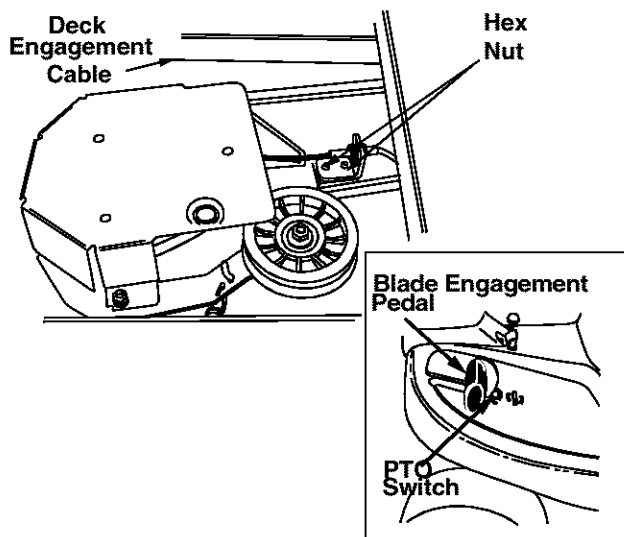


Figure 11

1. If the belt is slipping when you depress the blade engagement pedal about 3/4", loosen the two hex nuts on the cable. See Figure 11.

2. If the belt is engaging sooner than when the blade engagement pedal is 3/4" from the PTO switch, tighten both hex nuts on the cable. See Figure 11.
3. Repeat the blade engagement test and readjust if necessary.
4. Pivot the hood assembly back.

Wheel Alignment

The front wheels should toe-in 1/16-5/16 inch. To adjust toe-in, follow these steps:

1. Remove the 3/8" hex nut and lock washer which hold the ball joint to the steering segment. See Figure 12.
2. Adjust the ball joint in or out until the wheels toe-in approximately 1/16-5/16" (Dimension "B" should be approximately 1/16-5/16" less than dimension "A"). See Figure 12.
3. Replace the ball joint into the steering segment, and replace the 3/8" hex nut and the lock washer.

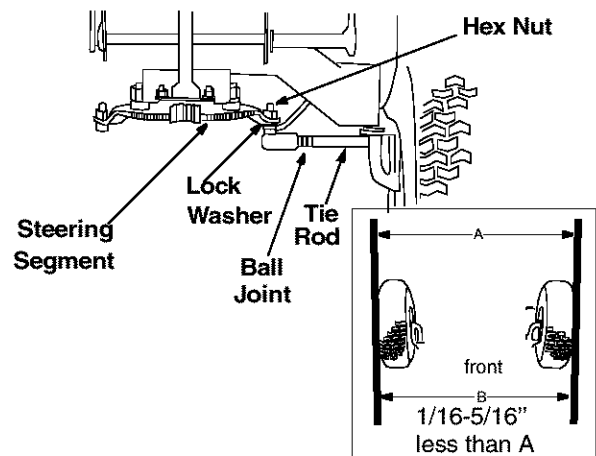


Figure 12

Adjusting the Deck

There are three tests for checking deck levelling on the riding mower. The results of each test will determine what kind of levelling, if at all, the equipment needs.

IMPORTANT: Perform adjustments to the deck on a flat, level surface. Before continuing with deck adjustment, check air pressure in all four tires. Recommended air pressure is 12 psi. Please note that the valve stems on this riding mower are on the inside of the front wheels and on the outside of the rear wheels.

Test 1: Checking Rear Deck Height Adjustment

1. Lift the hood assembly and remove grass catcher from the riding mower. Place the deck in the highest position.
2. Inspect rear of deck. If the deck is contacting the cable bracket in front of the transmission, you will have to adjust the rear deck height.

Test 2: Checking Front to Rear Levelling

1. Place the deck in the highest position.
2. Wearing a pair of heavy work gloves to prevent

injury, rotate the cutting blade so that it is pointed front to back and parallel to the rider. Depress and lock the deck engagement pedal.

3. Measure the distance from the front and the rear tips of the blade to the ground. The front should be approximately 1/4" to 3/8" lower than the rear.
4. If the distance is higher, level the deck front to rear.

Test 3: Checking Side to Side Levelling

1. Place the deck in the highest position.
2. Wearing a pair of heavy work gloves to prevent injury, rotate the cutting blade so that it is pointed side to side and perpendicular to the rider. Depress and lock the deck engagement pedal.
3. Measure the distance from the tips of the blade to the ground.
4. If the two distances are unequal, level the deck side to side.

Adjusting Rear Deck Height

1. Completely loosen, but do not remove, the top hex nut out of the three hex nuts that hold the hex bolt and the ferrule on the deck hanger link assembly. See Figure 13.

IMPORTANT: Do **not** try to loosen/ tighten bottom nut.

2. Thread the middle nut as far down as possible.
3. Locate the lower links at the rear of the deck. Working on one side at a time, disconnect the helper springs from them.
4. Remove each lower link by removing both hair pin clip and washers.
5. Reattach lower links as shown in Figure 13 inset.

Front to Rear Levelling

1. Place the deck in the highest position.

2. Wearing a pair of heavy work gloves to prevent injury, rotate the cutting blade so that it is pointed front to back and parallel to the rider. Depress and lock the deck engagement pedal.
3. Completely loosen, but do not remove, the top hex nut out of the three hex nuts that hold the hex bolt and the ferrule on the deck hanger link assembly. See Figure 13.

IMPORTANT: Do **not** try to loosen/ tighten bottom nut.

4. Thread the middle nut as far down as possible.
5. Keeping an equal number of threads above each of the nuts, thread the upper nut down until the front tip of the blade is 1/4" to 3/8" lower than the rear tip of the blade. Note that threading this nut down will raise the front of the deck.
6. Thread the middle nut up against the base of the ferrule. See Figure 13.
7. Tighten the upper nut against the top of the ferrule to lock adjustment.

Side to Side Levelling

1. Place the deck in the highest position.
2. Wearing heavy work gloves to prevent injury, rotate the blade so that it is pointed side to side and perpendicular to the rider. Depress and lock the deck engagement pedal.
3. Loosen the middle hex nut.
4. Thread the top hex nut up or down in order to set both tips of the blade at an equal height from the ground. Remember to thread the nut down to raise the deck, and thread up to lower the deck.
5. Once the deck is level, thread the middle hex nut to tighten against the ferrule. Make sure the cut is even and the lift lever moves to all cutting heights.

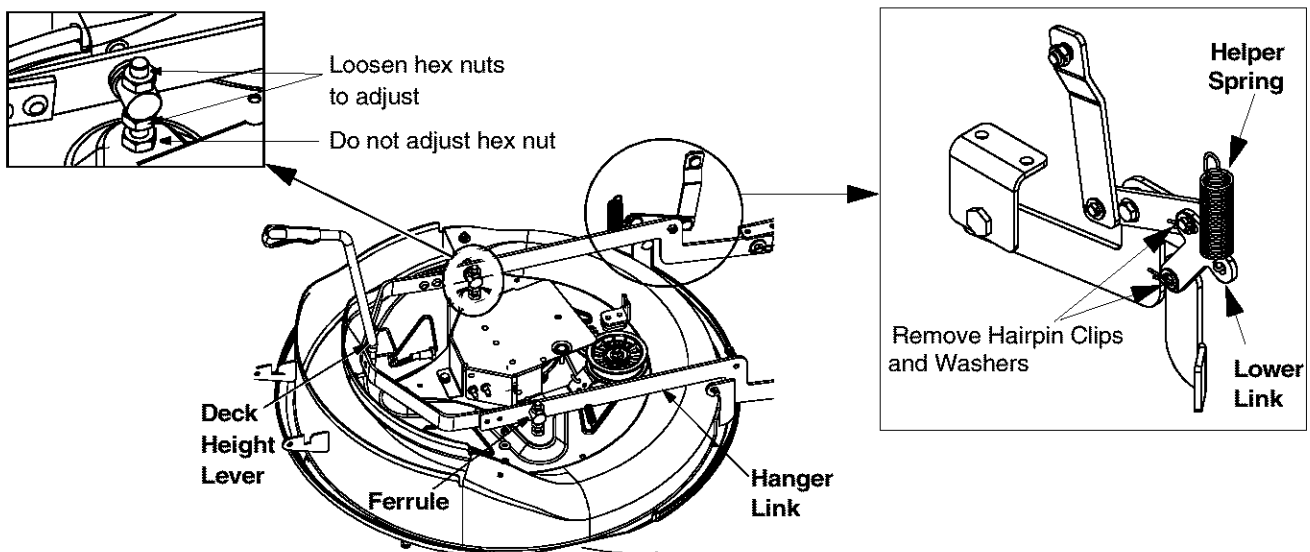


Figure 13

Adjusting the Carburetor

Differences in fuel, temperature, altitude or load may require minor carburetor adjustments. The carburetor on this engine is equipped with an idle mixture valve with a limiter which allows some adjustment, and an idle speed adjustment screw. Remember that the air cleaner and its cover must be assembled to the carburetor before re-starting the engine. Refer to page 22 for details.

NOTE: Engines, operated at approximately 3000 to 5000 feet above sea level, may require a high altitude carburetor nozzle. If your riding mower performs erratically, contact Sears service center for the nozzle.

To adjust the carburetor, follow the steps below:

1. Start the engine and run it for at least 5 minutes to warm up.
2. With the engine running, place throttle control in SLOW position.
3. Rotate carburetor throttle lever against the idle speed screw and hold it. See Figure 14. Turn idle speed screw to obtain 1750 rpm, using a tachometer to measure.

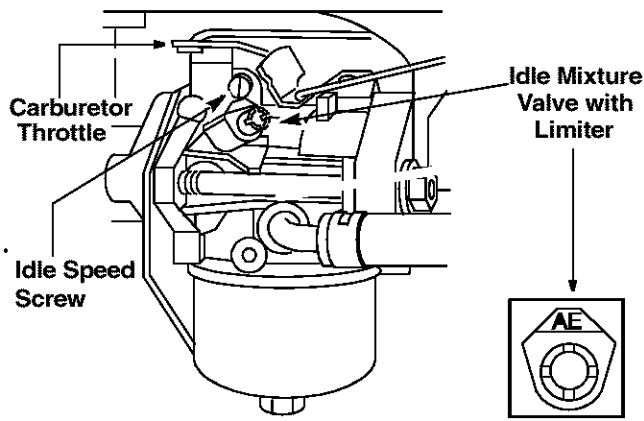


Figure 14

4. Rotate idle mixture valve full travel clockwise and then counter-clockwise. Do NOT remove limiter caps. Do NOT force beyond limits.
5. Place idle mixture valve in middle of travel.
6. Move throttle control to FAST position. The engine should accelerate smoothly. If it does not, adjust idle mixture valve counter-clockwise 1/8 turn.

Servicing Your Riding Mower

Fuse Replacement

The fuse is located next to the spark plug under the rear frame. Fuses seldom fail without a reason. If the fuse blows, the source problem must be corrected or the new fuse will blow again.

1. Check for loose connections in the fuse holder and replace holder if necessary. A dead short may be in the cranking or charging circuit where insulation

- may have rubbed through and exposed bare wire.
2. Replace the wire or repair with electrician's tape if the wire strands have not been damaged. Also look for a wire pinched between body panels, burned by the exhaust pipe or muffler, or rubbed against a moving part.
3. Stop the riding mower and engage the parking brake. Remove ignition key.
4. Pivot the hood assembly up. Disconnect the spark plug wire and ground it.
5. Pull the fuse out of the lead wire.
6. Replace with new automotive fuse.
7. Make sure to reconnect the spark plug wire before pivoting the hood assembly back.

Belt Replacement

There are two drive belts and one deck belt in this unit; follow description below to identify the belts.

- **Lower drive belt** goes from the variable speed pulley to the transmission pulley.
- **Upper drive belt** goes from the variable speed pulley to the upper sheave of engine pulley.
- **Deck belt** goes from the deck pulley to the lower sheave in engine pulley.

Periodically check if these belts are too loose or damaged. If so, replace with new belt.

Deck Belt

1. Engage the parking brake and turn the ignition off. Pivot the hood assembly up and remove the grass catcher. Remove the spark plug wire.
2. Put the deck at the lowest cutting height by adjusting the cutting height adjustment lever to the lowest position.

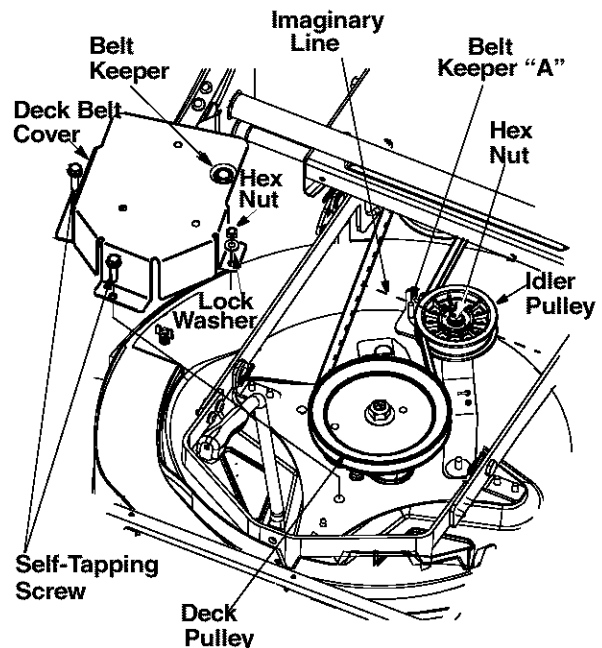


Figure 15

- Using a 1/2" socket wrench, remove two self-tapping screws, lock washer and hex nut that hold the deck belt cover to the deck. See Figure 15. For this, you will have to work from the top left side of the riding mower. Remove the belt cover.
- Using a 9/16" wrench, loosen the hex nut on the idler pulley. See Figure 15.
- Remove belt from around deck pulley, idler pulley, and the engine pulley.
- Place the new belt around the deck pulley and the engine pulley making sure that the belt is routed inside the belt keepers. There are two belt keepers under the grass catcher, one on the idler and the other under the deck belt cover. See Figure 15.
- Reinstall deck belt cover and secure with two each of self-tapping screw, lock washer and hex nut.

NOTE: Belt keeper "A" must be mounted on the outside of the belt.

- Make sure to align the belt keeper in line with the frame. See Figure 16.

NOTE: An imaginary line between the belt keeper and idler pulley should be parallel to frame. See Figure 15.

- Replace the grass catcher and pivot the hood assembly back.

Lower Variable Speed Belt

- Remove the rear deck belt guard following first five steps for deck belt removal. Remove belt from the engine pulley.

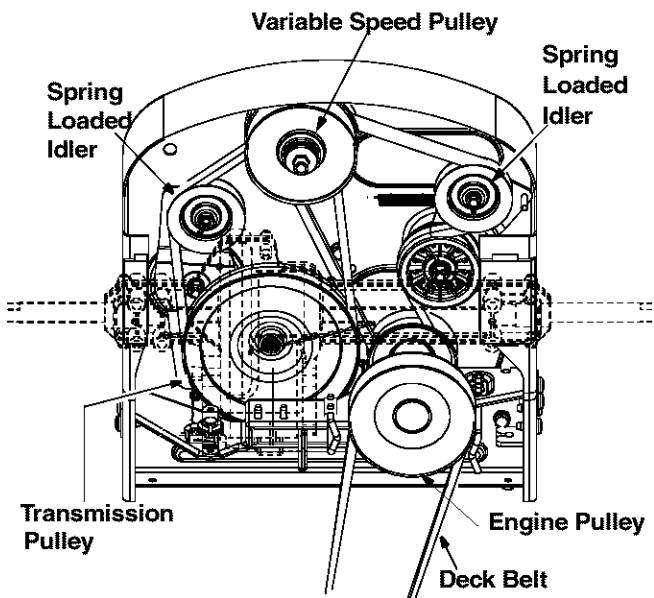


Figure 16

- Push the spring loaded idler, located on the left side of the transmission, to the right. Remove belt from around the idler and then the transmission pulley. See Figure 16.

- Using a 9/16" socket, remove bolt, spacer and the flat washer from the variable speed pulley.
- Drop the pulley down and remove the belt.
- Replace new belt and reassemble.

IMPORTANT: Make sure that the belt is **routed inside of belt keeper**, and the belt keeper is reassembled in the same location from where it was removed.

Upper Variable Speed Belt

- Remove the engine pulley using a 5/8" socket wrench with a 6" extension. The engine pulley is located in front of the transmission.
- Drop the engine pulley down and remove the belt from around it.
- Push the idler bracket to the right and remove the belt. See Figure 16.
- Replace belt and reassemble.

Battery

The battery is located under the hood assembly. The positive battery terminal is marked Pos. (+). The negative battery terminal is marked Neg. (-).



WARNING: Battery posts, terminals and related accessories contain lead and lead compounds. Wash hands after handling.

- Always keep battery cables and terminals clean and free of corrosive build-up.
- After cleaning, apply a light coat of petroleum jelly or grease to both terminals.
- Always keep the rubber boot positioned over the positive terminal to prevent shorting.
- If removing the battery for any reason, disconnect the **NEGATIVE** (black) wire from its terminal first, followed by the **POSITIVE** (red) wire. When re-installing battery, always connect the **POSITIVE** (red) wire to its terminal first, followed by the **NEGATIVE** (black) wire.

IMPORTANT: Be certain that wires are connected to the correct terminals; reversing them could change polarity and cause damage to the engine's alternating system.

- Check fluid level inside each cell of the battery every two weeks and before and after charging. Always maintain level just below the split rings.
- Add only distilled water. Never add additional acid or any other chemicals to the battery after initial activation.

NOTE: If you have operated the riding mower for a long period, check the fluid level of the battery as it can overheat and lose fluid.

Connecting Battery Cables

To reconnect battery cables, if the battery was removed for some reason, follow instructions on page 7.

MAINTENANCE

General Recommendations



WARNING: Always stop engine and disconnect spark plug wire before any maintenance or adjustments. Always maintain safety and follow instructions given below closely for smooth completion of job.

- The warranty on this riding mower does not cover items that have been subjected to operator abuse or negligence. To receive full value from the warranty, operator must maintain the riding mower as instructed in this manual. Refer to the Maintenance Schedule below.
- We do not recommend the use of pressure washers or garden hose to clean your unit. These may cause damage to electrical components, spindles, pulleys, bearings or the engine. The use of water may shorten life of your riding mower and reduce its serviceability

Maintenance Schedule

	First 5 hrs.	25 hours	50 hours	100 hrs.	Season	Reassembly
Check blade			✓			✓
Lube pivot points, steering shaft, gear					✓	
Lube deck linkage, front wheels					✓	
Change engine oil	✓		✓			
Service air cleaner in engine		✓				
Service spark plug				✓	✓	
Check battery fluid		✓				

Blade Care



WARNING: Protect your hands by wearing heavy gloves or using a rag to grasp the cutting blade. Avoid personal injury.

Removal

- Remove the 5/8" hex flange nut which holds the blade to the blade spindle.
- Remove blade from the spindle. See Figure 17.

Sharpening

- When sharpening the blade, follow original angle of grind as a guide. It is extremely important to grind each cutting edge **equally** to prevent an unbalanced blade.
- Test the blade by balancing it on a round shaft screwdriver. Remove metal from the heavy side until it balances evenly.



WARNING: Unbalanced blade may cause excessive vibration at high speeds, may damage the riding mower and/or cause personal injury.

Reassembly

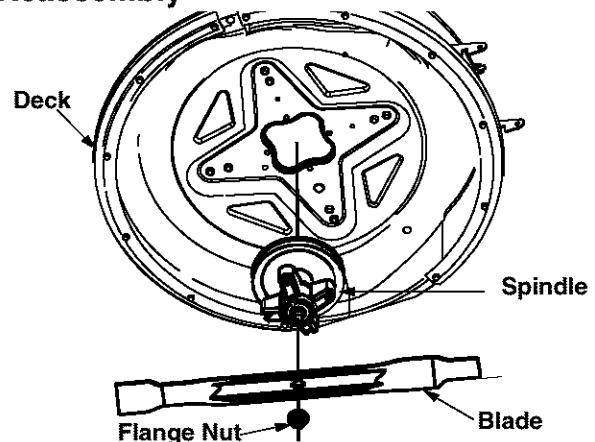


Figure 17

- Before reassembling the blade to the unit, lubricate the spindle with light oil (or engine oil).
- Align "star" fitting on new blade with the "star" on the spindle.
- Install the blade with the side of the blade marked "Bottom" (or with part number) facing the ground when the riding mower is in the operating position.
- Tighten the flange nut securely. See Figure 17.

Blade Mounting Torque: 70/90 ft.-lbs. maximum.

NOTE: To ensure safe operation, all nuts and bolts must be checked periodically for correct tightness.

Lubrication

See Figure 18 for an illustration of the lube points described below.

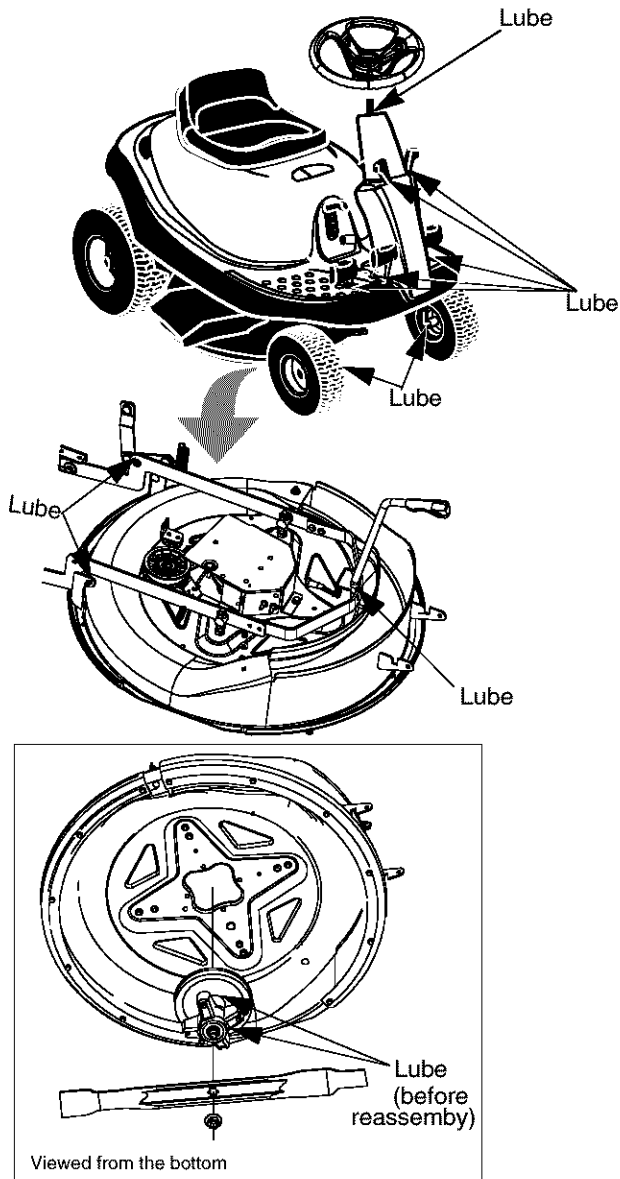


Figure 18: Lubrication Chart

- **Blade Assembly:** Lubricate blade assembly and deck spindle only while reassembling the blade either after sharpening or replacement.
- **Pivot Points:** Lubricate pivot points with light oil once a season.

- **Steering Shaft and Gear:** Lubricate steering shaft and spline at least once a season with light oil.
- Lubricate teeth of the external steering gears with automotive multi-purpose grease every 25 hours of operation or once a season.
- **Linkage:** Lubricate all deck linkage and height adjustment linkage with a light oil.
- **Front Wheels:** Lubricate front wheels at least once a season with automotive multi-purpose grease.

Engine



WARNING: Before performing any maintenance on the engine, disconnect the spark plug wire and the battery to prevent unintentional starting or sparking.

- Change engine oil after first five to eight hours of use, then every 50 hours or every season, whichever comes earlier. Change oil every 25 hours when operating the riding mower under heavy load or in high temperatures.
- Poor engine performance and flooding usually indicates that the air cleaner should be serviced. Service pre-cleaner and the cartridge of the air cleaner every 25 hours of use or once every season, whichever comes earlier. Clean more frequently under dusty conditions. Also replace air cleaner parts if these are very dirty.
- The spark plug should be cleaned and the gap reset every 100 hours of use or once a season, whichever comes earlier.

Cleaning Engine

1. Promptly wipe off any fuel or oil spilled on the machine with clean cloth.
2. Clean the underside of the blade housing after each mowing. Do not let clippings or debris accumulate around the blade which may cause rust on the deck.
3. Using a brush or cloth, remove grass, chaff or debris from the finger guard on the engine daily to prevent overheating of the engine. Do not clean with a forceful spray of water since water contaminates the fuel system.
4. Keep the governor linkage, springs and controls free of debris.
5. If engine muffler is equipped with spark arrester screen, remove and clean the screen regularly. Replace if damaged or plugged with debris. Clean muffler area and remove any grass or other debris before operating the unit.

NOTE: We recommend that the air cooling system be serviced by an authorized service center every 100 hours of use. Also every 100-300 hours, have an authorized service center remove combustion deposits from the cylinder, piston and valves of the engine.

Air Cleaner

You can locate the air cleaner by referring to Figure 7.

1. Remove the cover knob of the air cleaner and take the cover off. Remove the cartridge knob.
2. Carefully lift the air cleaner assembly including the pre-cleaner, if equipped, and the cartridge from base over the stud. See Figure 19.

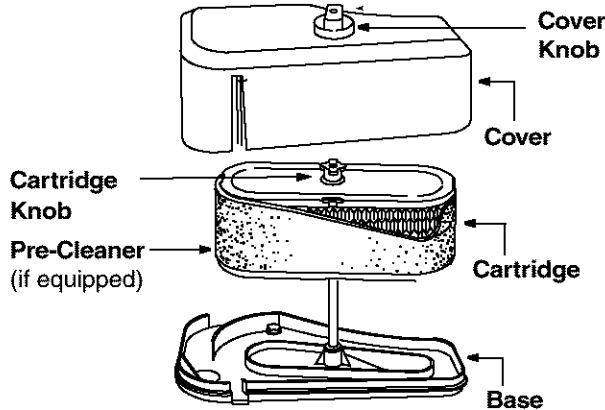


Figure 19

3. Clean the base carefully to prevent debris from entering the carburetor.
4. To clean the pre-cleaner, if so equipped, separate it from the cartridge and wash it in liquid detergent and water. Squeeze dry on clean cloth; saturate in engine oil; squeeze in clean cloth to remove excess.
5. Reassemble the pre-cleaner on the cartridge. Place the assembly over the stud making sure that the air cleaner fits securely over the base.
6. Tighten cartridge knob securely, replace the cover, and tighten the cover knob.

Fuel Filter



WARNING: Drain fuel tank or close fuel shut-off valve before replacing fuel filter. Otherwise fuel can leak creating a fire/explosion hazard.

Your unit is equipped with a replaceable in-line fuel filter. Loosen the clamps and replace filter whenever contamination or discoloration is noticed. See Figure 20. Order replacement filter through Sears service center.

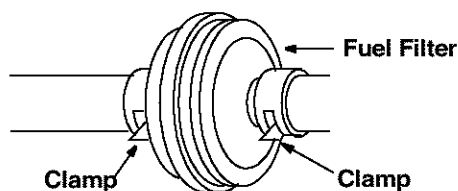


Figure 20

Spark Plug

1. Clean area around the spark plug base.
2. Remove and inspect the spark plug.
3. Replace the spark plug if electrodes are pitted, burned, or the porcelain is cracked. See Figure 21.
4. Clean the spark plug and reset the gap to 0.020" at least once a season or every 100 hours of operation. See Figure 21. Replace if necessary. Refer to parts list section for part number.

NOTE: Do not sandblast spark plug. Spark plug should be cleaned by scraping or wire brushing and washing with a commercial solvent.

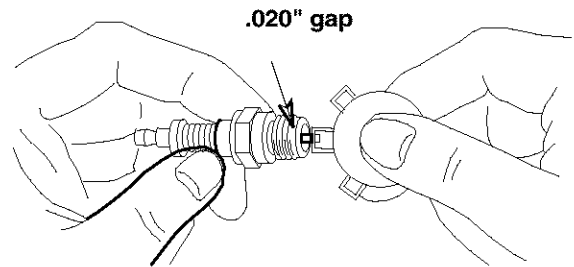


Figure 21

Changing Oil

Your riding mower has a plastic oil drain sleeve, packed with the loose parts, for draining oil from the crankcase.

1. To drain the oil, snap small end of the oil drain sleeve onto oil sump. See Figure 22.
2. With engine off but still warm, remove drain plug as shown in Figure 22 and drain oil into a suitable container.

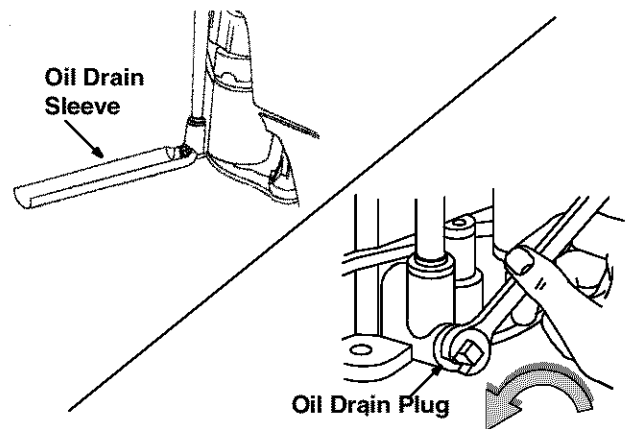


Figure 22

3. Reinstall drain plug.
4. Flip hood assembly up and remove dipstick from the oil fill on the engine.
5. Fill up with fresh engine oil of appropriate grade. Refer to the viscosity chart on page 12 for oil type.
6. Check oil level as instructed on page 12. Add more oil if needed and tighten the dipstick securely.
7. Flip the hood assembly back and reconnect spark plug wire before starting the unit.

OFF-SEASON STORAGE

If the machine is to be inoperative for a period longer than 30 days, prepare for storage as follows.

Battery

1. Charge battery fully. The battery loses some of its charge each day when the unit is not used. NEVER store battery without a full charge. Recharge battery before returning to service or every two months, whichever occurs first.
2. When storing unit for extended periods, disconnect battery cables and remove the battery from the unit.
3. Clean dirt and chaff from cylinder, cylinder head fins, blower housing, rotating screen and muffler.

Engine

Engines, stored over 30 days, need special attention to prevent gum formation in the fuel system or on the carburetor.

1. If fuel tank contains oxygenated or reformulated gasoline, that is gasoline blended with alcohol or ether, run engine until dry.
2. If fuel tank contains gasoline, either run engine till dry or add an additive to the gas. If you are using

additive, run the engine for several minutes to circulate the additive through the carburetor.

3. Change oil on a warm engine.
4. Remove spark plug and pour about one ounce of engine oil into cylinder. Replace the spark plug and crank engine slowly to distribute the oil.
5. Clean engine of debris, chaff or grass clippings.
6. Store engine and riding mower in a clean, dry area far away from stove, furnace, water heater or similar appliances using a pilot light or any other sparking device.

Riding Mower

1. Clean the engine and the entire unit thoroughly.
2. Lubricate all pivot points. Wipe the entire machine with an oiled rag to protect the surfaces.
3. Store unit in a clean, dry area. Do not store next to corrosive materials, such as fertilizer.
4. When storing any type of power equipment in an unventilated or metal storage shed, care should be taken to rustproof the equipment. Using a light oil or silicone, coat the equipment, especially any chains, springs, bearings and cables.

TROUBLE-SHOOTING

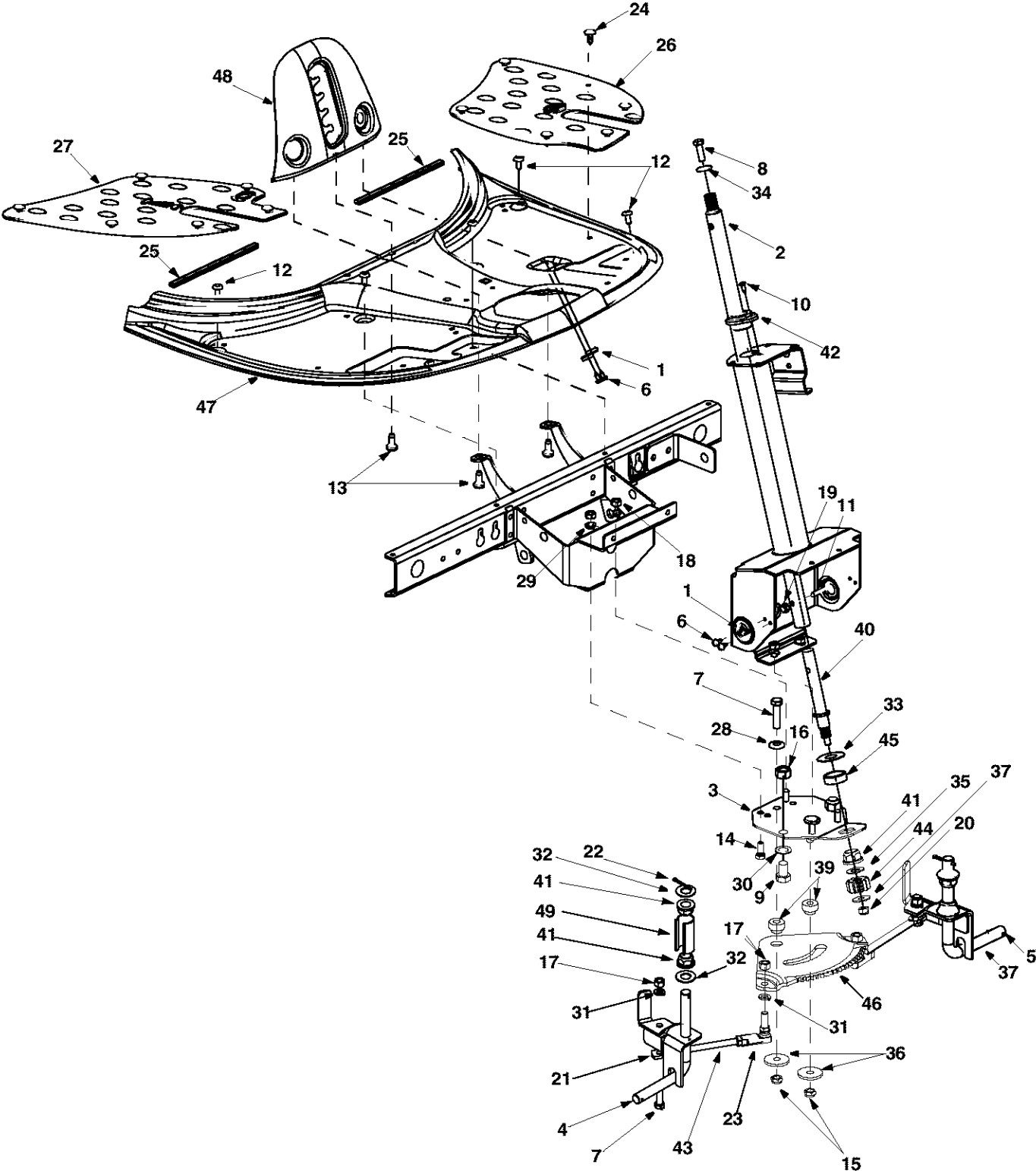
Trouble	Possible Cause	Remedial Action
Excessive vibration	<ol style="list-style-type: none"> 1. Bent or damaged blade 2. Bent blade. 	<ol style="list-style-type: none"> 1. Stop engine immediately. Check all pulleys, blade adapters, keys and bolts for tightness and spindle damage. Tighten or replace any damaged parts. 2. Stop engine immediately. Replace damaged blade. Only use original equipment blades.
Mower will not discharge grass or leaves uncut strips	<ol style="list-style-type: none"> 1. Engine speed low. 2. Speed selection. 3. Cutting height set too low. 4. Blades short or dull. 	<ol style="list-style-type: none"> 1. Throttle must be set at full throttle. 2. Use lower ground speed. Slower the ground speed, better the quality of cut. 3. Raise the deck. 4. Sharpen or replace blades (uncut strip problem only).
Broken Belt	<ol style="list-style-type: none"> 1. Sudden stop or shock load to belt 2. Incorrect belt used 3. Belt engaged abruptly 4. Defective or damaged belt 	<ol style="list-style-type: none"> 1. Inspect rider for cause such as foreign objects stuck in between deck and frame or belt path. Remove obstruction and check for damage. Replace belt if needed. 2. Replace with proper belt. Check Parts list in this manual for correct part number. 3. Engage belt slowly by depressing the blade engagement pedal slowly. 4. Replace with proper belt. Follow instructions on page 18.

Trouble	Possible Cause	Remedial Action
Belt comes off	<ol style="list-style-type: none"> 1. Belt too loose; stretched 2. Broken or weak idler spring 	<ol style="list-style-type: none"> 1. Readjust belt. Replace if needed. Follow instructions for belt replacement on page 18. 2. Replace. Order with correct part number from Parts List in this manual.
Belt shreds	<ol style="list-style-type: none"> 1. Belt guides or guards incorrectly adjusted 2. Pulleys not aligned 3. Pulley rusted or in otherwise bad condition; frozen bearing 	<ol style="list-style-type: none"> 1. Adjust belt guides and guards so that these are approximately 1/16 to 1/8 inch from belt when engaged. 2. Realign pulleys to be within approximately 1/16 inch of each other. Check with straight edge. Make sure fastening hardware is tight. 3. Replace pulleys. Order with correct part number from the Parts List in this manual. Adjust new pulleys to 1/16 ".
Engine will not crank	<ol style="list-style-type: none"> 1. Safety switch button not depressed 2. Battery installed incorrectly 3. Battery dead or weak. 4. Blown fuse or circuit breaker 5. Engine ground wire loose. 	<ol style="list-style-type: none"> 1. There are two switches in the starting circuit of your unit. Make sure that the actuator is fully depressing both switch buttons. Brake pedal must be depressed and blade engagement pedal disengaged. 2. Install the battery with negative terminal attached to the black ground wire. Attach the positive terminal to the red wire which goes to the solenoid. Charge the battery fully before installation. 3. Check fluid level in battery. If fluid level is low, fill to just below split rings with water. Charge with 6 Amp. charger until fully charged. If this does not work, replace battery. 4. Replace fuse following instructions on page 18. 5. Make sure the black ground wire runs from engine to frame or mounting bolt.
Engine cranks but will not start	<ol style="list-style-type: none"> 1. Throttle/choke not in starting position. 2. No fuel to the carburetor 3. Fuel line or in-line fuel filter plugged 4. No spark to spark plug 5. Faulty spark plug 6. Dirty air cleaner 	<ol style="list-style-type: none"> 1. Check owner's guide for correct position for throttle control/choke for starting. 2. Gasoline tank empty. Fill with gasoline. 3. Remove and clean fuel line. Replace filter if necessary. 4. Spark plug lead disconnected. Connect lead. Hold spark plug lead away from engine block about 1/8". Crank engine. There should be a spark. If not, have engine repaired at authorized engine service dealer. 5. To test, remove spark plug. Attach spark plug lead to spark plug. Ground the spark plug body against the engine block. Crank the engine. The spark plug should fire at the electrode. Replace if it does not. 6. If the air cleaner is dirty, the engine may not start. Clean or replace as needed.
Engine smokes	<ol style="list-style-type: none"> 1. Engine oil has been overfilled 2. Dipstick not seated or broken 	<ol style="list-style-type: none"> 1. Check oil level. 2. Replace defective part.

NOTE: For repairs beyond these, contact Sears service center or call the Craftsman Help line at 1-800-659-5917.

PARTS LIST

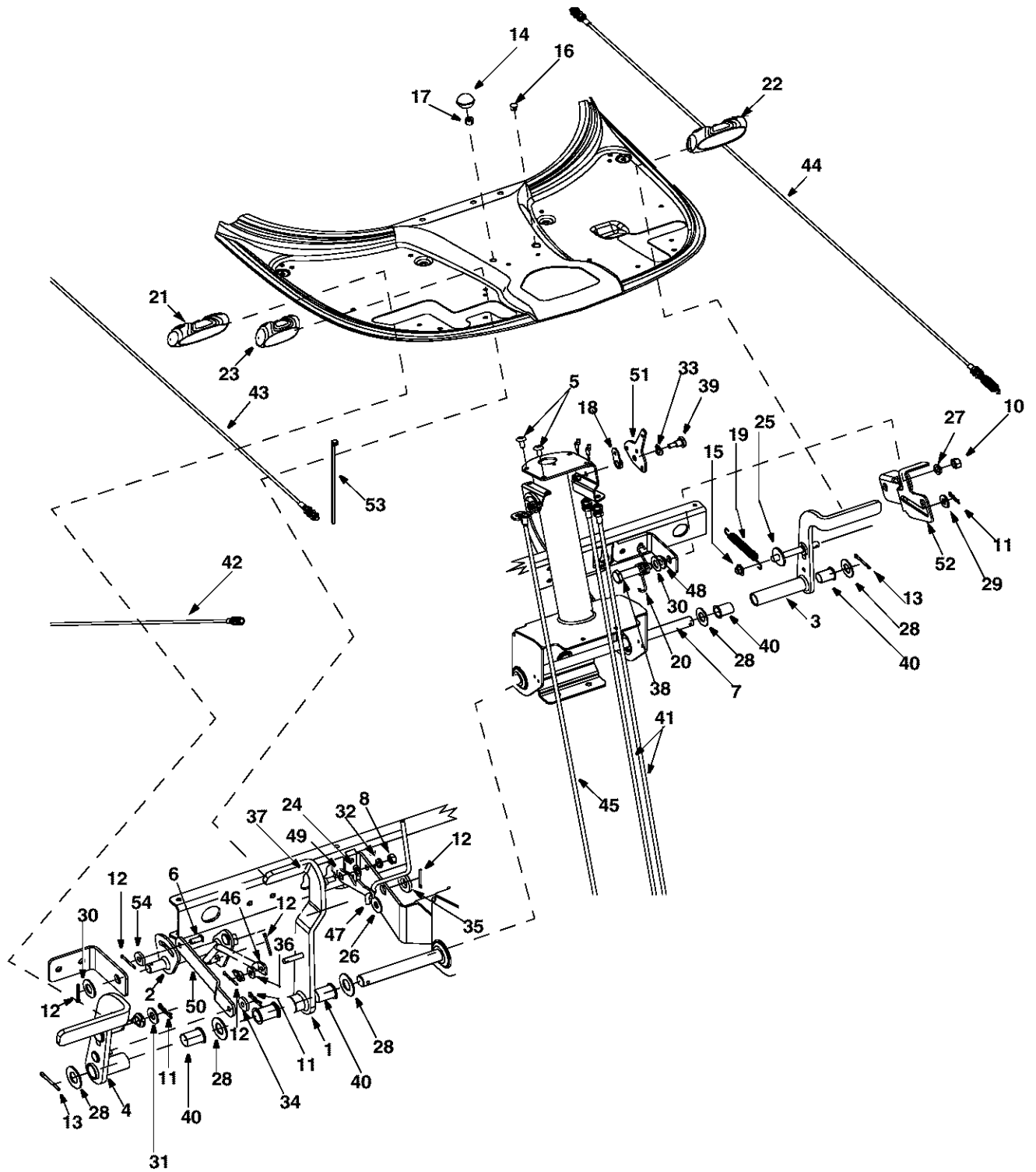
Parts List for Craftsman Riding Lawn Mower Model 247.27020



Parts List for Craftsman Riding Lawn Mower Model 247.27020

Key No.	Part No.	Description	Key No.	Part No.	Description
1.	17962	Switch Plate	26.	735-0674	Floor Pad: LH
2.	650-0007	Steering Tube Assembly	27.	735-0266A	Floor Pad: RH
3.	683-0033A	Steering Support Bracket	28.	736-0105	Bell Washer
4.	683-0178A	Front Axle Assembly: RH	29.	736-0119	Lock Washer
5.	683-0179A	Front Axle Assembly: LH	30.	736-0160	Flat Washer
6.	710-0224	Hex Screw AB	31.	736-0169	Lock Washer
7.	710-0459A	Hex Screw 3/8-24 x 1.5" Gr.5 Sp.	32.	736-0187	Flat Washer
8.	710-0643	Lock Screw 5/16-18 x 1.0" Gr.5	33.	736-0196	Flat Washer
9.	710-0689	Hex Screw 1/2-13 x 0.75"	34.	736-0242	Belleville Washer
10.	710-0837	Oval C-Sunk Screw #10-16 x 0.625"	35.	736-0272	Flat Washer
11.	710-0958	Hex Screw 1/4-20 x 1.25 Gr.5 Sp.	36.	736-0320	Flat Washer
12.	710-1017	AB Screw 1/4-14 x 0.625"	37.	736-3078	Flat Washer
13.	710-1611B	Self-Tapping Screw 5/16-18 x 0.75"	38.	737-3007	Grease
14.	710-3008	Hex Screw 5/16-18 x 0.75"	39.	738-0541	Spacer
15.	712-0116	Lock Nut 3/8-24	40.	738-3089A	Steering Adapter
16.	712-0206	Hex Nut 1/2-13	41.	741-0225	Hex Flange Bearing
17.	712-0241	Hex Nut	42.	741-0356	Bearing: Steering Column
18.	712-0267	Hex Nut	43.	747-0955	Tie Rod
19.	712-0324	Lock Nut 1/4-20	44.	748-0290	Pinion Gear
20.	712-0411	Lock Nut	45.	750-0532	Spacer
21.	712-0711	Jam Nut	46.	783-0411	Gear: Steering Segment
22.	714-0470	Cotter Pin	47.	783-0565C	Upper Frame Cover
23.	723-0156	Ball Joint	48.	783-0566A	Lift Plate
24.	726-3046	Ratchet Clip	49.	731-1649	Axle Cap
25.	731-0511	Trim Strip			

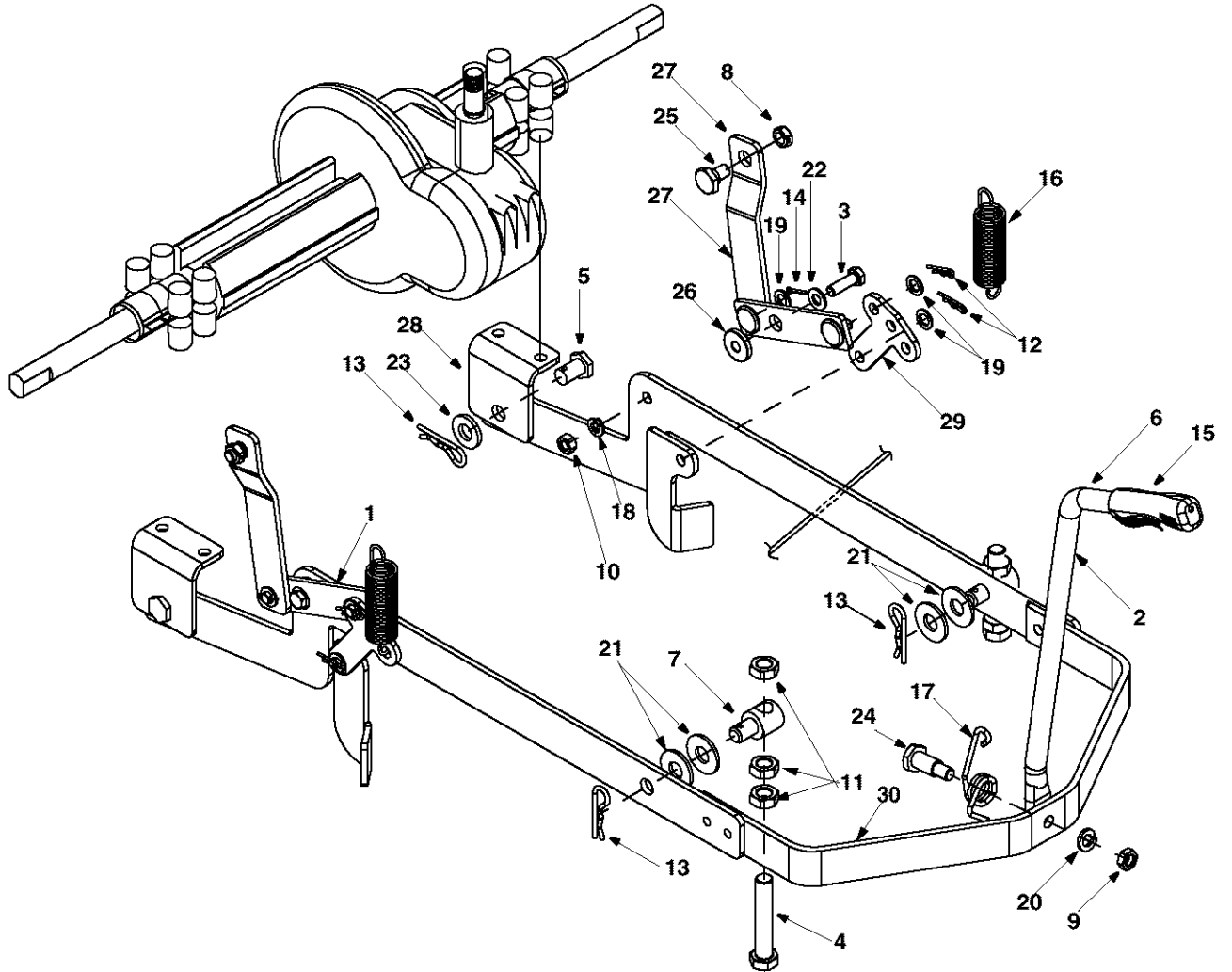
Parts List for Craftsman Riding Lawn Mower Model 247.27020



Parts List for Craftsman Riding Lawn Mower Model 247.27020

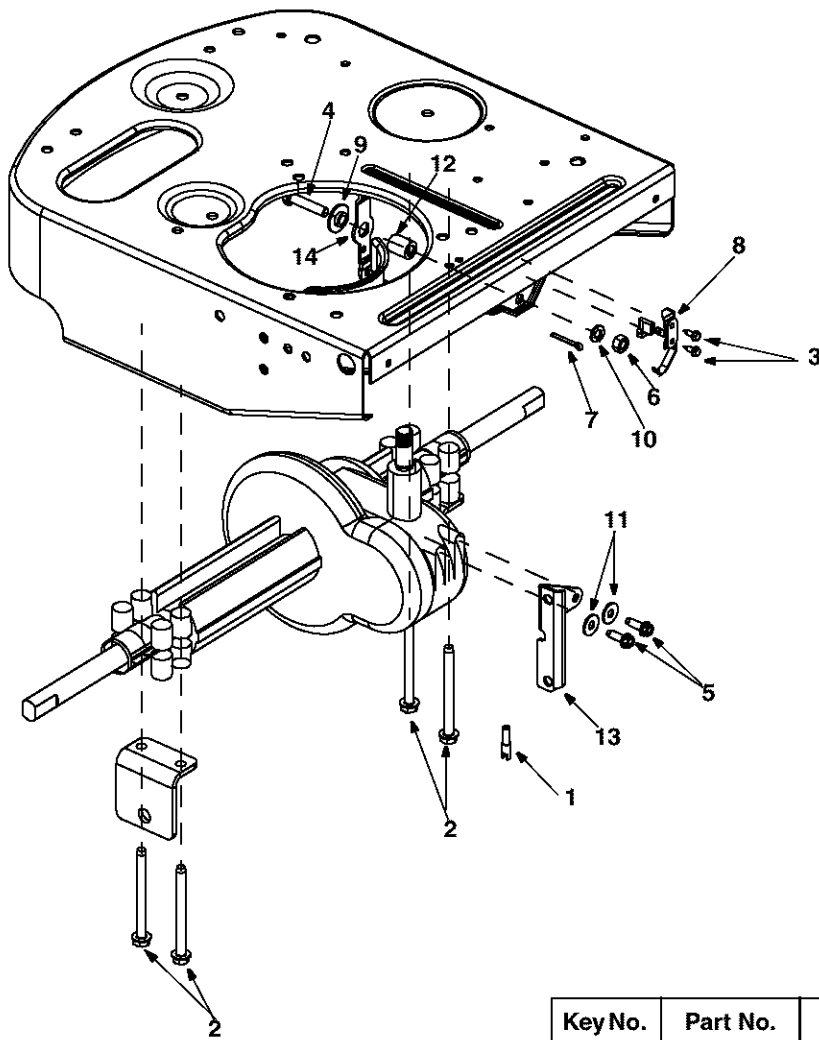
Key No.	Part No.	Description	Key No.	Part No.	Description
1.	683-0155A	Brake Pedal Assembly	28.	736-0187	Flat Washer
2.	683-0161	Shift Cam Assembly	29.	736-0262	Flat Washer
3.	683-0275A	Deck Pedal Assembly	30.	736-0272	Flat Washer .510 X 1.00 X .060
4.	683-0310A	Variable Pedal Assembly	31.	736-0300	Flat Washer
5.	710-1017	Ab Screw 1/4-14 X .625	32.	736-0329	Lock Washer
6.	711-0701	Clevis Pin	33.	736-0608	Spring Washer
7.	711-1156	Shaft	34.	736-3000	Flat Washer
8.	712-0287	Hex Nut 1/4-20	35.	736-3019	Flat Washer .531 X 1.062 X .134
9.	712-0324	Lock Nut 1/4-20	36.	736-3020	Flat Washer .271 X .630 X .065
10.	712-3017	Hex Nut 3/8-16	37.	738-0255	Shoulder Screw .375 Dia X .18
11.	714-0104	Internal Cotter Pin	38.	738-0373	Shoulder Screw
12.	714-0111	Hairpin Clip	39.	738-0974	Shoulder Screw .375 X .380 X 1/4-20
13.	714-0470	Hairpin Clip	40.	741-0591	Flange Bearing
14.	720-0166	Ball Knob	41.	746-0935A	Shift Cable
15.	726-0100	Push Cap	42.	746-0936	Variable Drive Cable
16.	726-0450	Plug Cap	43.	746-0937	Brake Cable
17.	731-0405	Snap-on Bushing	44.	746-0940	Deck Cable
18.	731-1913	Stop Lever	45.	746-0964	Throttle Choke Cable: 67"
19.	732-0815A	Extension Spring	46.	747-0963A	Brake Rod
20.	732-0865	Torsion Spring	47.	747-0964	Brake Lock Out Rod
21.	735-0261	Drive Pad	48.	750-0736	Shoulder Spacer
22.	735-0262	Deck Pad	49.	783-0473	Brake Lock Out Bracket
23.	735-0263	Brake Pad	50.	783-0525	Self-Propelled Pedal Link
24.	736-0117	Flat Washer 3/8 X .620 X .033	51.	783-0593A	Shift Lever
25.	736-0133	Flat Washer.411 x 1.25" x .100	52.	783-0794	Bracket: Lock-Out Pedal
26.	736-0159	5/16 Washer	53.	726-0157	Cable Tie
27.	736-0169	Lock Washer	54.	736-0270	Bell Washer

Parts List for Craftsman Riding Lawn Mower Model 247.27020



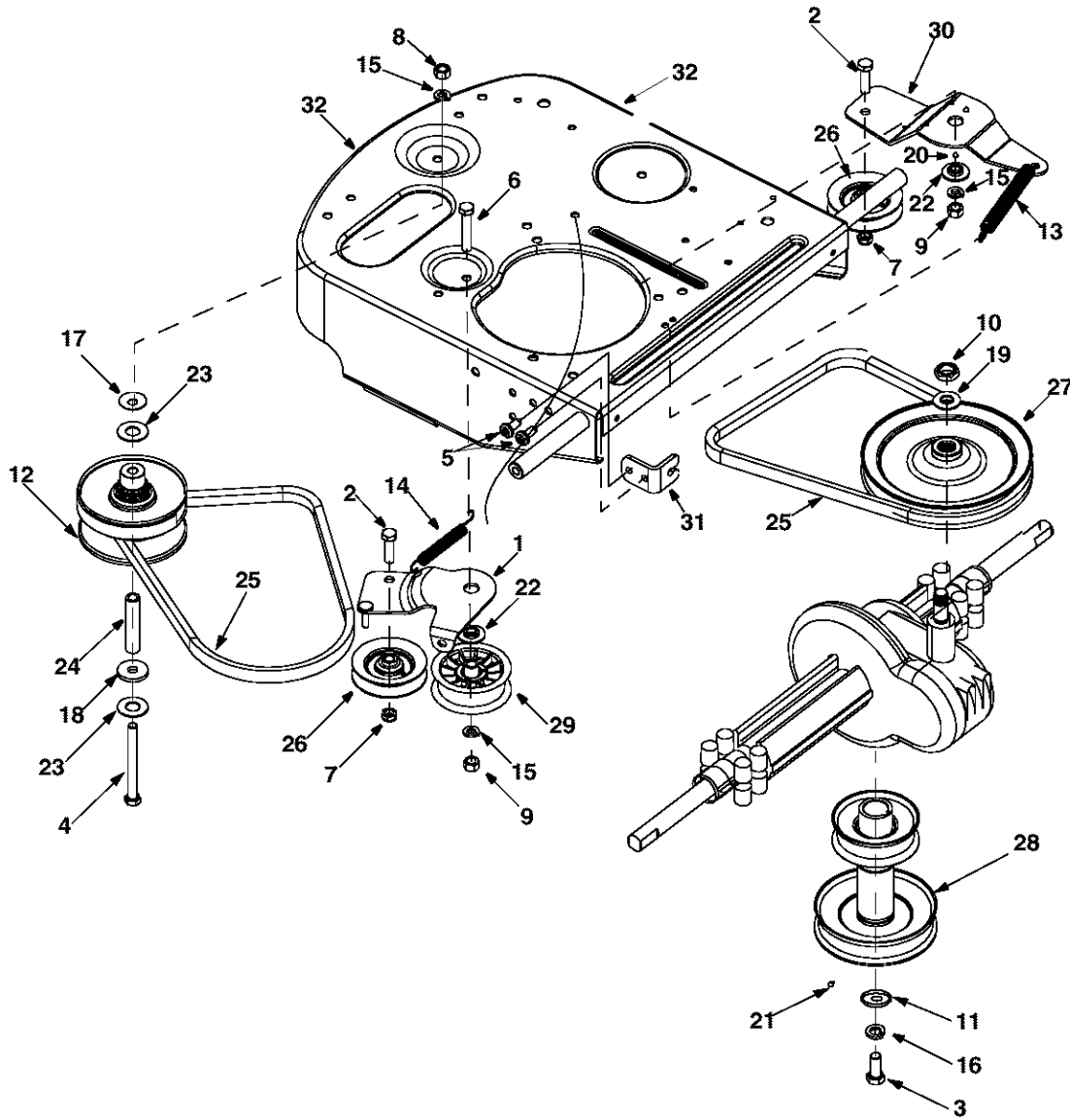
Key No.	Part No.	Description	Key No.	Part No.	Description
1.	683-0152	Pivot Link Assembly	16.	732-0829	Extension Spring
2.	683-0194A	Lift Arm Assembly	17.	732-0837	Torsion Spring
3.	710-0376	Hex Screw 5/16-18 X 1.00 Gr.5	18.	736-0119	Lock Washer 5/16
4.	710-3230	Hex Bolt 1/2-13 X 2.75 Gr.5 Spec.	19.	736-0140	Flat Washer .385 I.D. x .620 O.D.
5.	711-0332	Lift Bracket Pin	20.	736-0169	Lock Washer
6.	711-1120	Lift Rod	21.	736-0257	Flat Washer
7.	711-3319	Ferrule	22.	736-0275	Flat Washer 5/16
8.	712-0266	Jam Nut	23.	736-3019	Flat Washer
9.	712-3008	Jam Nut 3/8-16 Gr. 5	24.	738-0145	Shoulder Screw
10.	712-3010	Hex Nut 5/16-18	25.	738-0183	Shoulder Screw
11.	712-3048	Jam Nut	26.	738-0958	Shoulder Spacer
12.	714-0104	Cotter Pin	27.	783-0435	Upper Deck Link
13.	714-0147	Cotter Pin	28.	783-0437	Axle Bracket: Rear
14.	714-3010	Cotter Pin	29.	783-0440	Lower Link
15.	720-0298	Handle Grip	30.	783-0442A	Crossbar Link: Lift

Parts List for Craftsman Riding Lawn Mower Model 247.27020



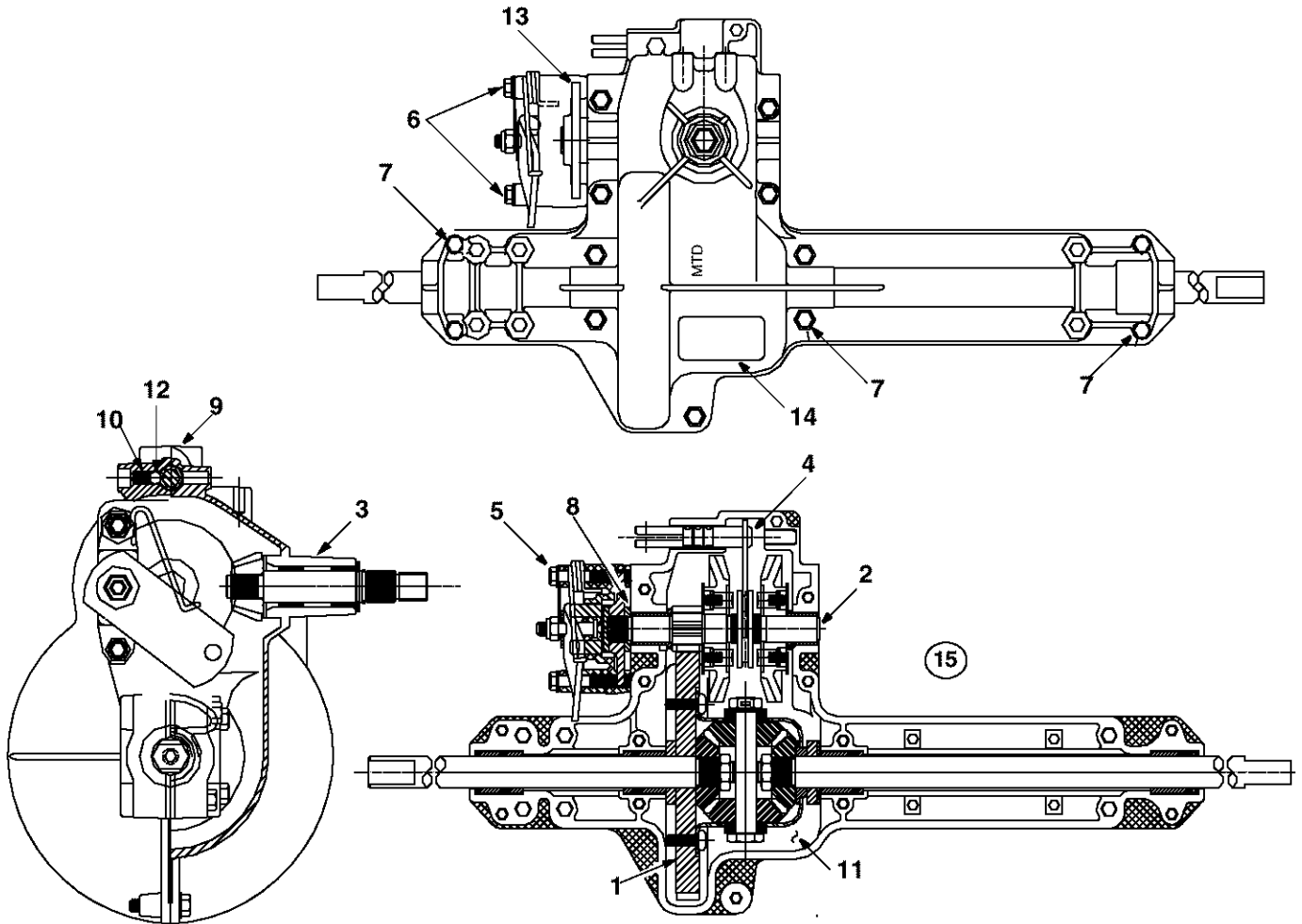
Key No.	Part No.	Description
1.	629-0865	Harness Assembly Adapter
2.	710-1208	Hex TT Screw 5/16-18 x 3.50
3.	710-0227	Hex Washer Head Self-Tap.Scw
4.	710-0805	Hex Screw 5/16-18 x 1.5 Gr. 5
5.	710-0642	Thd. Forming Scr. 1/4-20x .75
6.	712-3010	Hex Nut 5/16-18
7.	714-0115	Cotter Pin
8.	726-0320	Insulator Nut Plate
9.	736-0289	Shoulder Bushing
10.	736-0119	Lock Washer 5/16
11.	736-3000	Flat Washer
12.	750-1064	Spacer
13.	783-0591	Transaxle Bracket
14.	783-0433A	Shift Lever

Parts List for Craftsman Riding Lawn Mower Model 247.27020



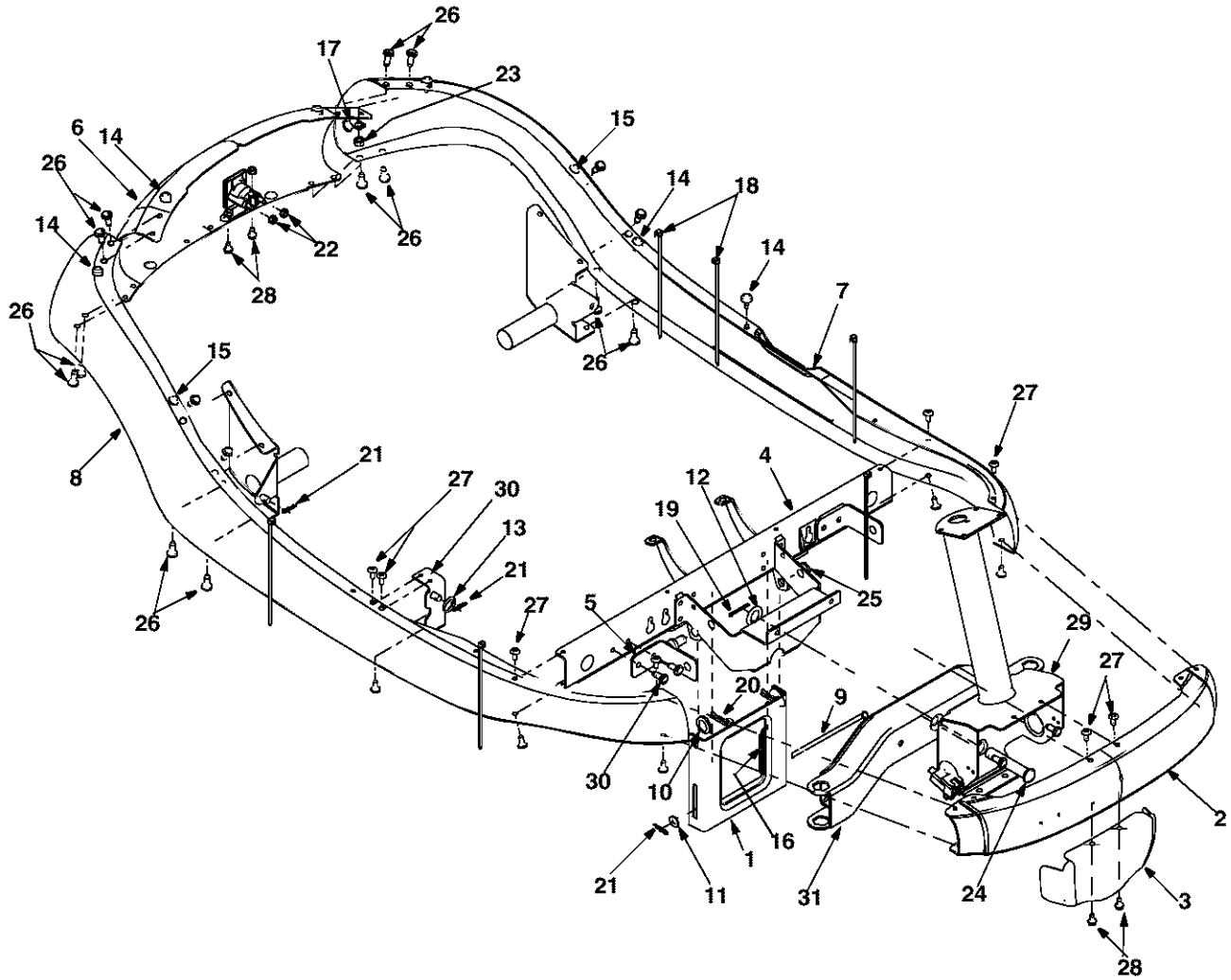
Key No.	Part No.	Description	Key No.	Part No.	Description
1.	683-0147A	Idler Bracket Assembly	17.	736-0219	Bell Washer
2.	710-0191	Hex Screw (Special)	18.	736-0247	Flat Washer
3.	710-0314	Hex Screw 7/16-20 x 1.0"	19.	736-0427	Beleville Washer
4.	710-0902	Hex Screw 3/8-24 x 3.75"	20.	737-3007	Grease
5.	710-1611B	TT Screw	21.	737-0288	Grease
6.	710-3096	Hex Screw 3/8-16 x 2.0"	22.	738-0968	Shoulder Spacer
7.	712-0116	Jam Lock Nut	23.	741-0405	Thrust Bearing
8.	712-0241	Hex Nut 3/8-24	24.	750-0705	Slv. Spacer
9.	712-3017	Hex Nut 3/8-16	25.	754-0453	V-Belt
10.	712-3035	Jam Nut 9/16-18	26.	756-0116	Idler Pulley
11.	736-0322	Flat Washer	27.	756-0650	Transmission Pulley
12.	717-0884	Variable Speed Pulley Assembly	28.	756-1189	Engine Pulley
13.	732-0814	Extension Spring	29.	756-0981A	Flat Idler Pulley
14.	732-0815A	Extension Spring	30.	783-0528	Idler Bracket: Variable Speed
15.	736-0169	Lock Washer	31.	783-0529	Cable Bracket
16.	736-0171	Lock Washer	32.	683-0149B	Frame Assembly

Parts List for Craftsman Riding Lawn Mower Model 247.27020



Key No.	Part No.	Description
1.	618-0232	Differential Assembly: Single Speed
2.	618-0248	Drive Shaft assembly: LH Brake
3.	618-0072B	Upper Housing Assembly
4.	611-0114	Detent Shaft Assembly
5.	661-0006	Brake Yoke Assembly: LH
6.	710-1206	Hex Washer Hd. TT Screw 1/4-20 x 2.37 Gr.5
7.	710-1325	Hex Washer Hd. TT Screw 1/4-20 x 1.65
8.	717-0678	Brake Puck
9.	719-0313B	Lower Housing
10.	732-0863	Spring Detent
11.	737-0148	Grease
12.	741-0862	Ball Detent
13.	761-0202	Brake Disc
14.	777-6318	Label
15.	618-0251C	Transmission Assembly, Complete

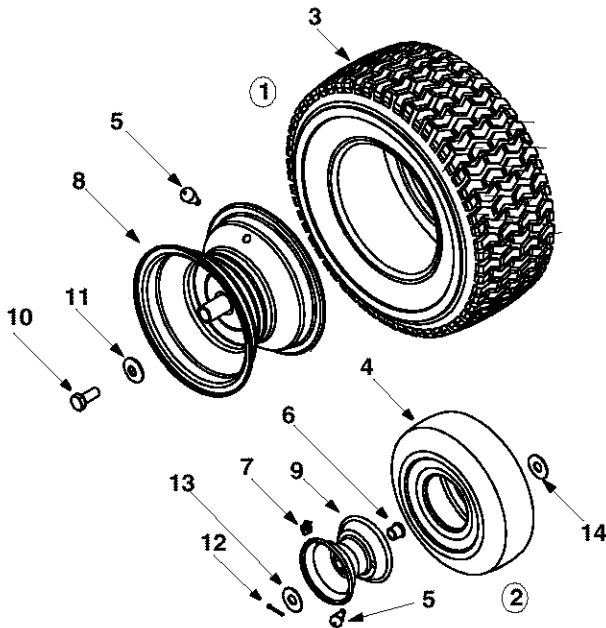
Parts List for Craftsman Riding Lawn Mower Model 247.27020



Key No.	Part No.	Description	Key No.	Part No.	Description
1.	783-0605	Deck Stabilizing Bracket	17.	726-0272	Clamp: 9/16 dia.
2.	783-0564A	Front Frame: Upper	18.	725-0157	Cable Tie
3.	783-0811A	Steering Gear Cover	19.	714-0470	Hairpin Clip
4.	683-0264A	Front Channel Assembly	20.	714-0147	Hairpin Clip
5.	783-0554	Cam Bracket	21.	714-0104	Hairpin Clip
6.	783-0414A	Frame Rail: Rear	22.	712-0271	Hex Nut
7.	783-0413	Frame Rail—L.H.	23.	712-0265	Hex Nut 1/4-20
8.	783-0412B	Frame Rail—R.H.	24.	711-1165	Clevis Pin
9.	747-0985	Deck Rod	25.	711-0332	Lift Bracket Pin
10.	736-3019	Flat Washer .531 X 1.062 X .134	26.	710-1611B	TT Screw 5/16-18 x .75
11.	736-0275	Flat Washer 5/16	27.	710-1017	Torx Mach. AB Scr. 1/4-14 x 0.625"
12.	736-0187	Flat Washer .64 I.D. X 1.24 X .06	28.	710-0599	Hex TT Screw 1/4-20
13.	736-0101	Flat Washer 3/8 X 1.00 X .030	29.	683-0163A	Steering Support Bracket
14.	735-0271	Rubber Bumper	30.	683-0160	Pivot Bracket Assembly: Hood
15.	735-0199A	Rubber Bumper	31.	683-0142	Pivot Bar Assembly
16.	732-0829	Extension Spring			

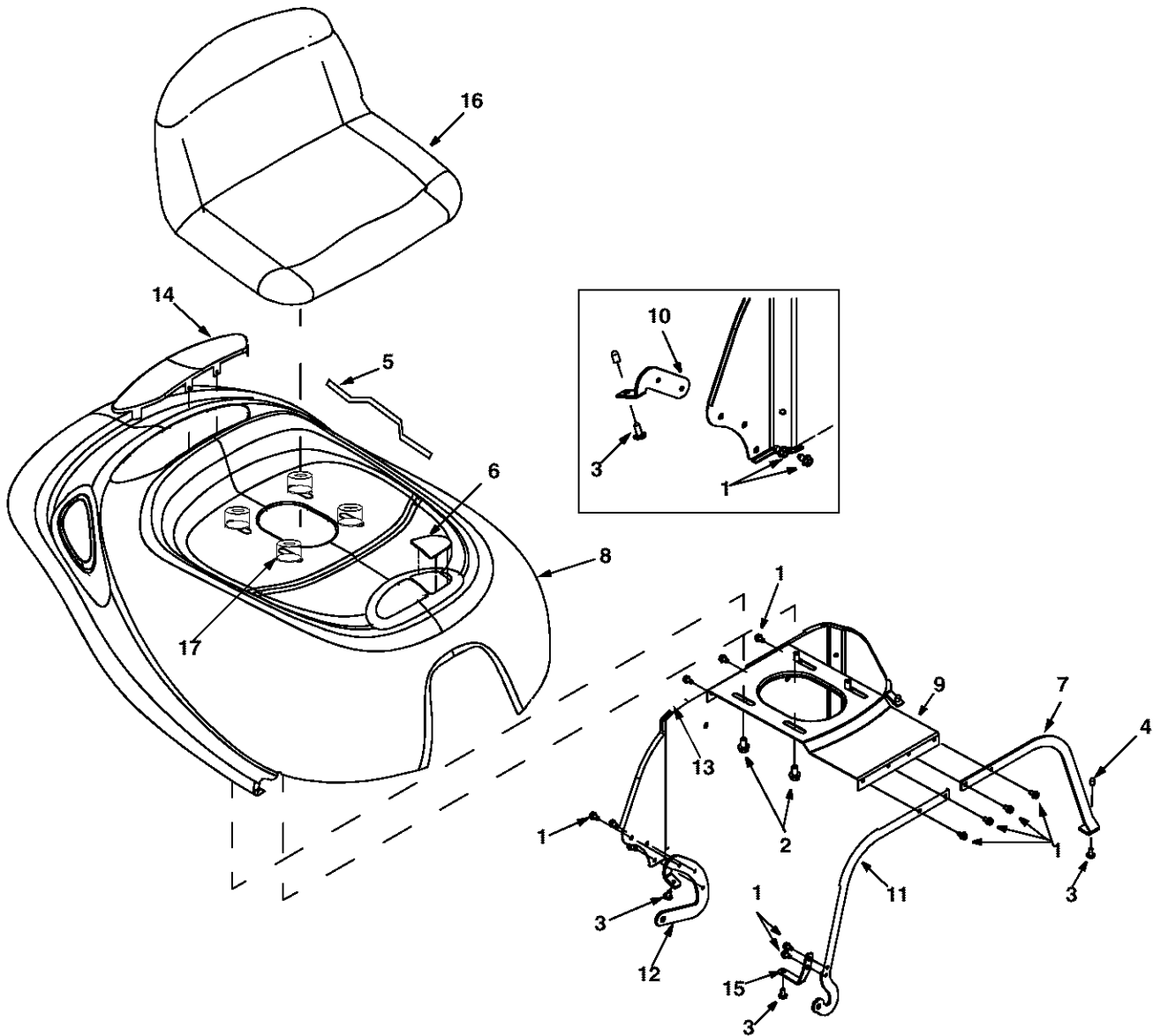
Parts List for Craftsman Riding Lawn Mower Model 247.27020

Key No.	Part No.	Description	Key No.	Part No.	Description
1.	683-0149B	Frame Assembly	25.	731-1682A	Oil Drain Sleeve
2.	683-0190A	Frame Rail Support: RH	26.	731-1945A	Engine Duct
3.	683-0191A	Frame Rail Support: LH	27.	732-3080A	Compression Spring
4.	683-0192	Muffler Pipe Extension	28.	735-0273	Rubber Washer
5.	710-0148	Hex Fl. Screw #8-32 x 0.375	29.	736-0119	Lock Washer
6.	710-0157	Hex Screw 5/16-24 x .75" Gr.5	30.	736-0123	Flat Washer
7.	710-0599	Self-Tapping Screw	31.	736-0169	Lock Washer
8.	710-0654A	TT Screw 3/8-16 x 1.0"	32.	736-0188	Flat Washer
9.	710-0751	Hex Screw 1/4-20 x 0.5"	33.	736-0222	Lock Washer
10.	710-0871	Hex Slot Sems Screw #10-32 x 0.38	34.	736-0329	Lock Washer
11.	710-1237	TT Screw #10-32 x 0.625"	35.	736-0400	Flat Washer
12.	710-1611B	TT Screw 5/16-18 x 0.75"	36.	736-0607	Lock Washer
13.	710-1653	Machine Screw #10-32 x 0.5"	37.	737-0169	Motor Oil
15.	711-0222A	Battery Hold-Down Rod	38.	738-0960	Shoulder Screw
16.	712-0267	Hex Nut 5/16-18	39.	741-0516	Flange Bearing
17.	712-0271	Hex Sems Nut 1/4-20	40.	751B213146	Throttle Casing Clamp
18.	712-0291	Lock Nut 1/4-20	41.	751-0535	Fuel Line Hose
19.	712-0397	Wing Nut with Bell Washer	42.	751-0656	Fuel Tank
20.	712-3017	Hex Nut	44.	783-0624	Battery Bracket
21.	725-0157	Cable Tie	45.	783-0630C	Fuel Tank Bracket
22.	726-0205	Hose Clamp	46.	783-0809B	Transaxle Support Bracket
23.	726-0209	Cable Tie	47.	725-1698	Battery (not shown)
24.	731-0708	Battery Cover			



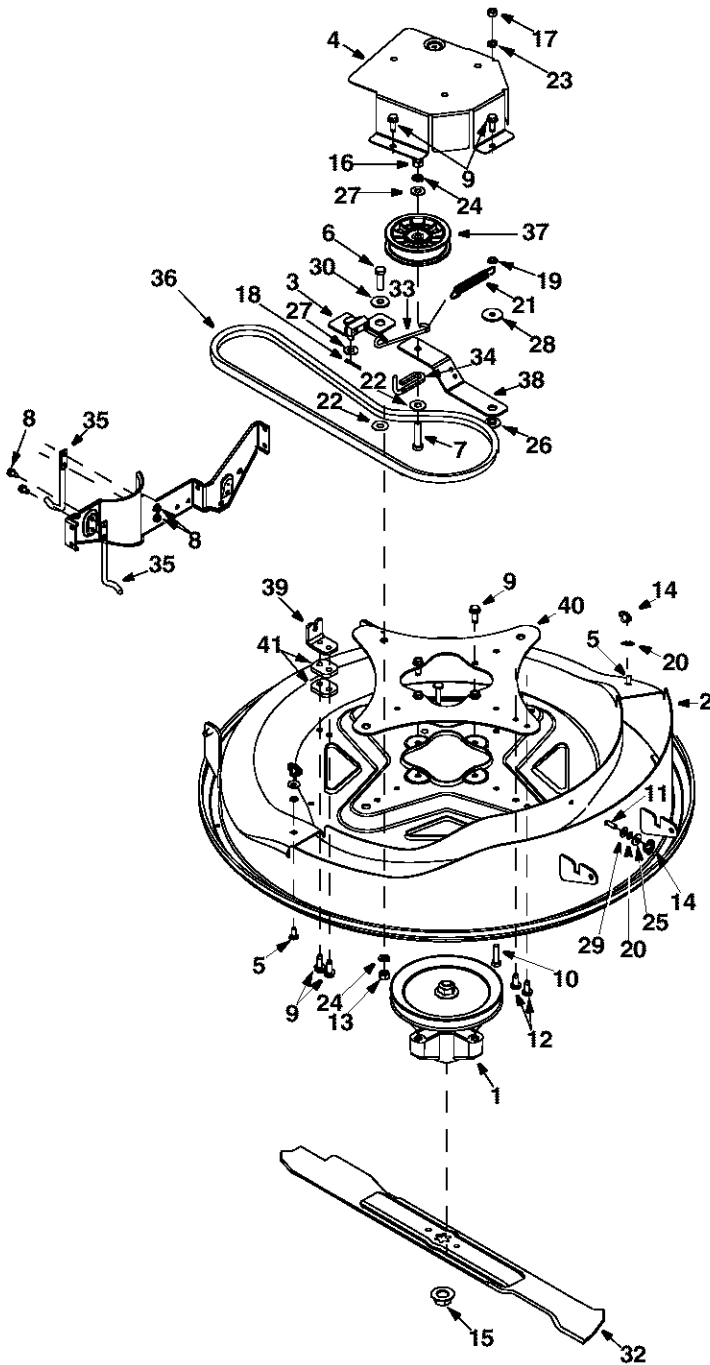
Key No.	Part No.	Description
1.	634-0139	Rear Wheel Compl.
2.	634-0169A	Front Wheel Compl.
3.	734-1727	Rear Tire
4.	734-1382	Front Tire
5.	734-0255	Valve: Tubeless Air
6.	737-0211A	Grease Fitting
7.	741-0353	Flange Bearing
8.	634-0138	Rim Assembly
9.	734-1455A	Rim Assembly
10.	710-0627	Hex Bolt 5/16-24 x .75"
11.	736-0242	Beleville Washer
12.	714-0115	Cotter Pin
13.	736-0285	Flat Washer
14.	736-0156	Flat Washer
15.	731-0484A	Hub Cap (not shown)

Parts List for Craftsman Riding Lawn Mower Model 247.27020



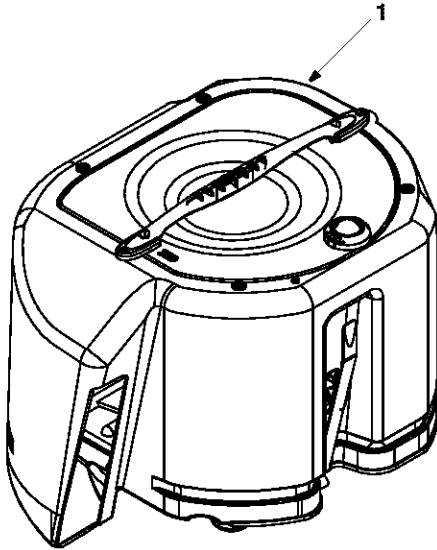
Key No.	Part No.	Description	Key No.	Part No.	Description
1.	710-0599	TT Screw 1/4-20 x 0.5	10.	783-0447	Hood Bracket
2.	710-1315	TT Screw 3/8-16 x 1.25	11.	783-0448	Hood Bracket: Reinforcement
3.	710-1017	Torx AB Screw 1/4-14 x 0.625	12.	783-0449A	Hinge Bracket: Rear
4.	720-0238	Rod End Grip	13.	783-0451A	Pivot Plate: Rear Hood
5.	731-0511	Trim Strip	14.	783-0545	Hood Screen
6.	731-1691A	Grass Bag Lens	15.	783-0562	Hinge Bracket: Front
7.	783-0410	Bracket Reinforcement: Hood	16.	757-04016	Seat: Low Back
8.	783-0445	Hood	17.	738-04008	Spacer
9.	783-0446	Plate: Hood			

Parts List for Craftsman Riding Lawn Mower Model 247.27020

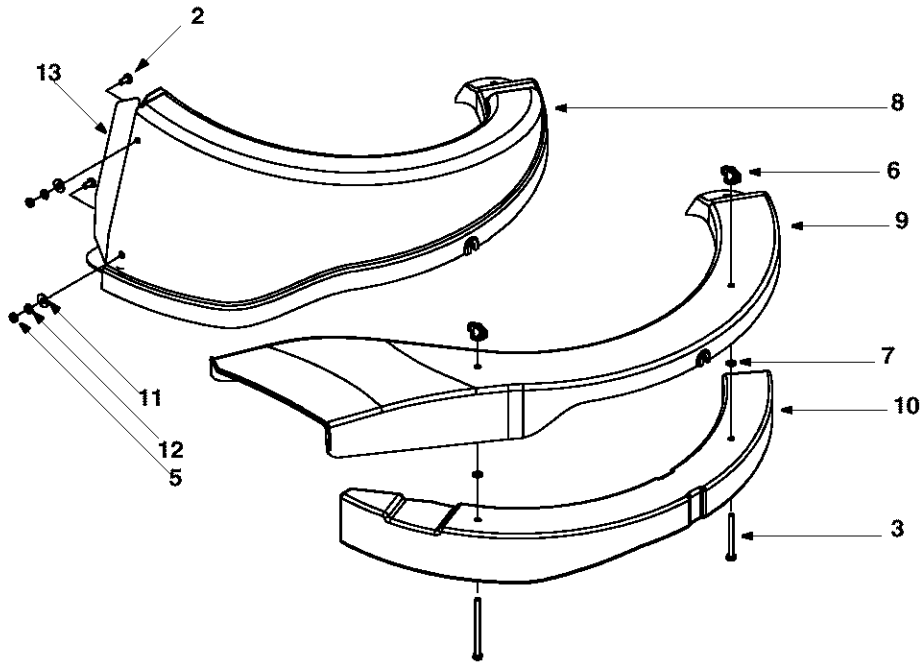


Key No.	Part No.	Description
1.	618-0250	Spindle Assembly
2.	683-0150D	Deck Assembly
3.	683-0159	Brake Bracket Assembly
4.	683-0173	Deck Belt Cover
5.	710-0134	Carriage Screw 1/4-20 x .62"
6.	710-0191	Hex Bolt 3/8-24 x 1.25"
7.	710-0347	Hex Screw 3/8-16 x 1.75 "
8.	710-0599	Self-Tapp. Screw 1/4-20 x .5"
9.	710-0650	Self-Tapp. Screw 5/16-18 x .75"
10.	710-0672	Hex Cap Scr. 5/16-24 x 1.25"
11.	710-0932	Carriage Screw
12.	710-1611B	Torx Screw 5/16-18 x .75"
13.	712-0241	Hex Nut 3/8-24
14.	712-0397	Wing Nut
15.	712-0417A	Flange Nut 5/8-18
16.	712-3017	Hex Nut 3/8-16
17.	712-3057	Hex Nut 5/16-24
18.	714-0115	Cotter Pin
19.	726-0201	Speed Nut
20.	726-0233	Push Nut
21.	732-0429A	Extension Spring
22.	736-0101	Flat Washer 3/8 x 1.00 x .030"
23.	736-0119	Lock Washer 5/16
24.	736-0169	Lock Washer 3/8
25.	736-0173	Flat Washer
26.	736-0289	Bushing
27.	736-0300	Flat Washer .406 x .875 x .059"
28.	736-0343	Flat Washer .330 x 1.25 x .120"
29.	736-3020	Flat Washer
30.	738-0968	Spacer
32.	742-0651	Three-in-one Blade
33.	747-0957	Link Rod
34.	747-0972	Belt Keeper
35.	747-1172	Belt Keeper
36.	754-0754	V Belt
37.	756-0627	Flat Idler Pulley
38.	783-0463A	Idler Bracket
39.	783-0529	Cable Bracket
40.	783-0569B	Deck Plate
41.	783-0594	Deck Cable Plate

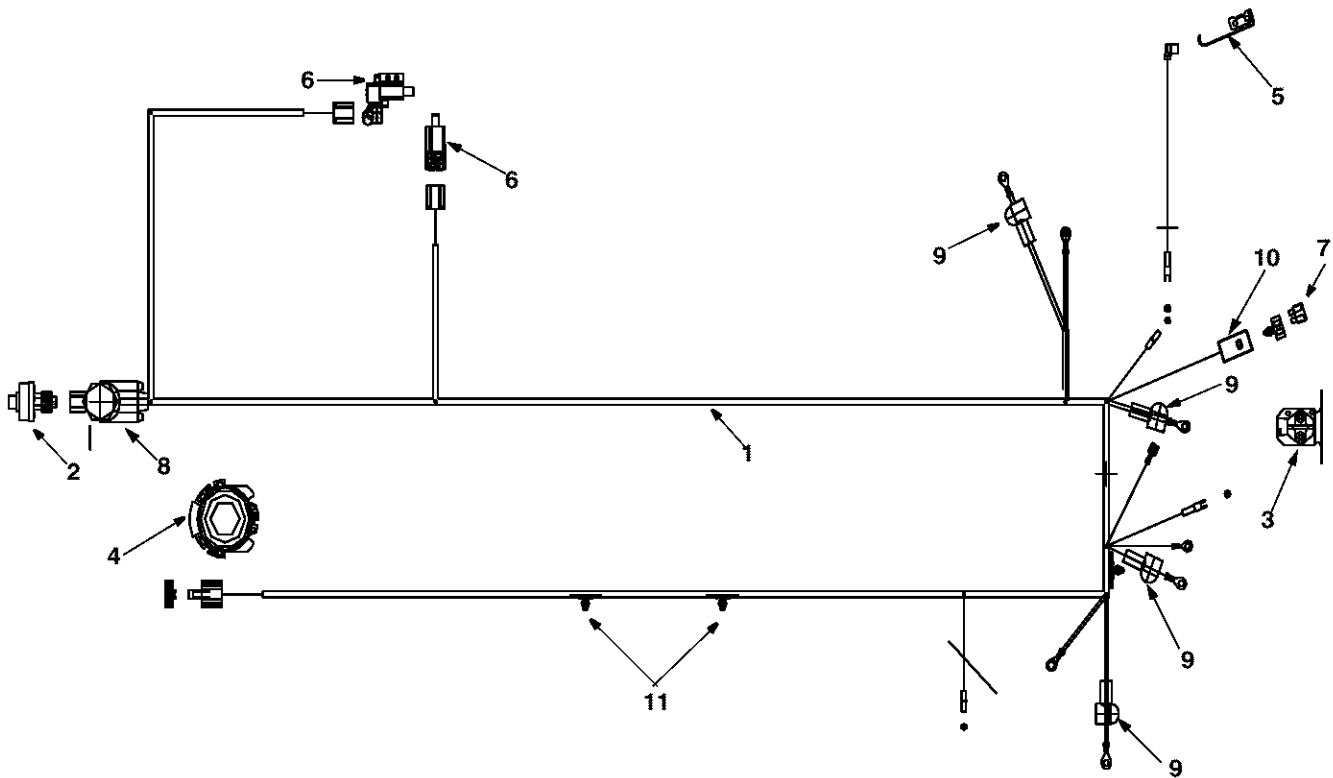
Parts List for Craftsman Riding Lawn Mower Model 247.27020



Key No.	Part No.	Description
1.	631-0084	Grass Bag Assembly
2.	710-0286	Pan Hd. Machine Screw 1/4-20 x 0.5
3.	710-0564	Hex Screw 1/4-20 x 2.75
4.	710-0825	Hex Screw 1/4-20 x 3.75
5.	712-0298	Jam Nut
6.	712-0397	Wing Nut
7.	726-0271	Push Nut
8.	731-1743A	Chute: Bagger
9.	731-1744	Discharge Chute: Side-Discharge
10.	731-1745A	Mulching Plug
11.	736-0173	Flat Washer
12.	736-0329	Lock Washer
13.	783-0645A	Deflector Plate: Bagger Chute

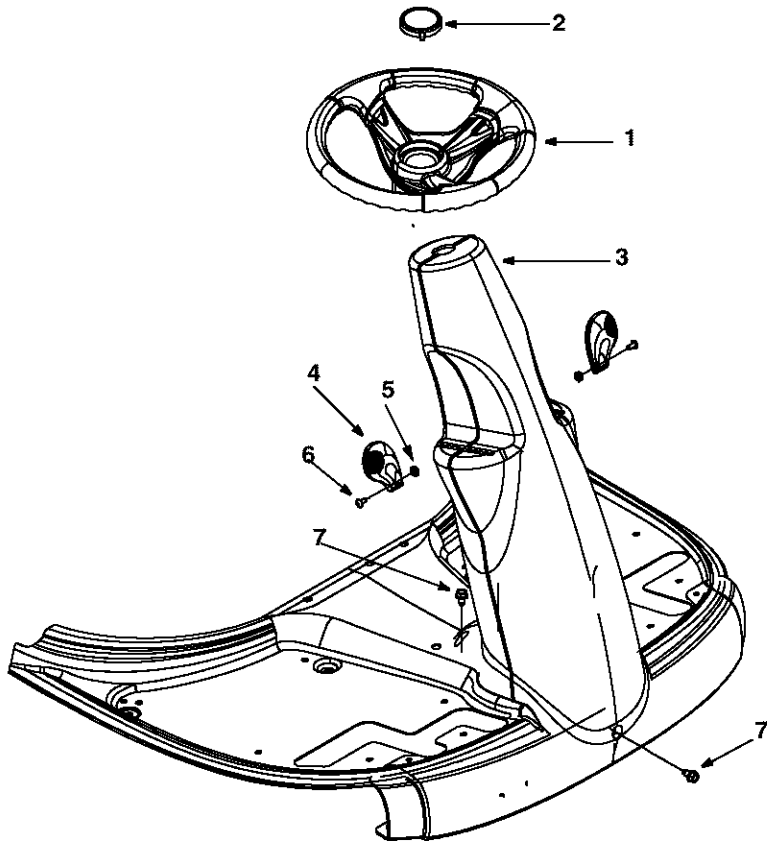


Parts List for Craftsman Riding Lawn Mower Model 247.27020



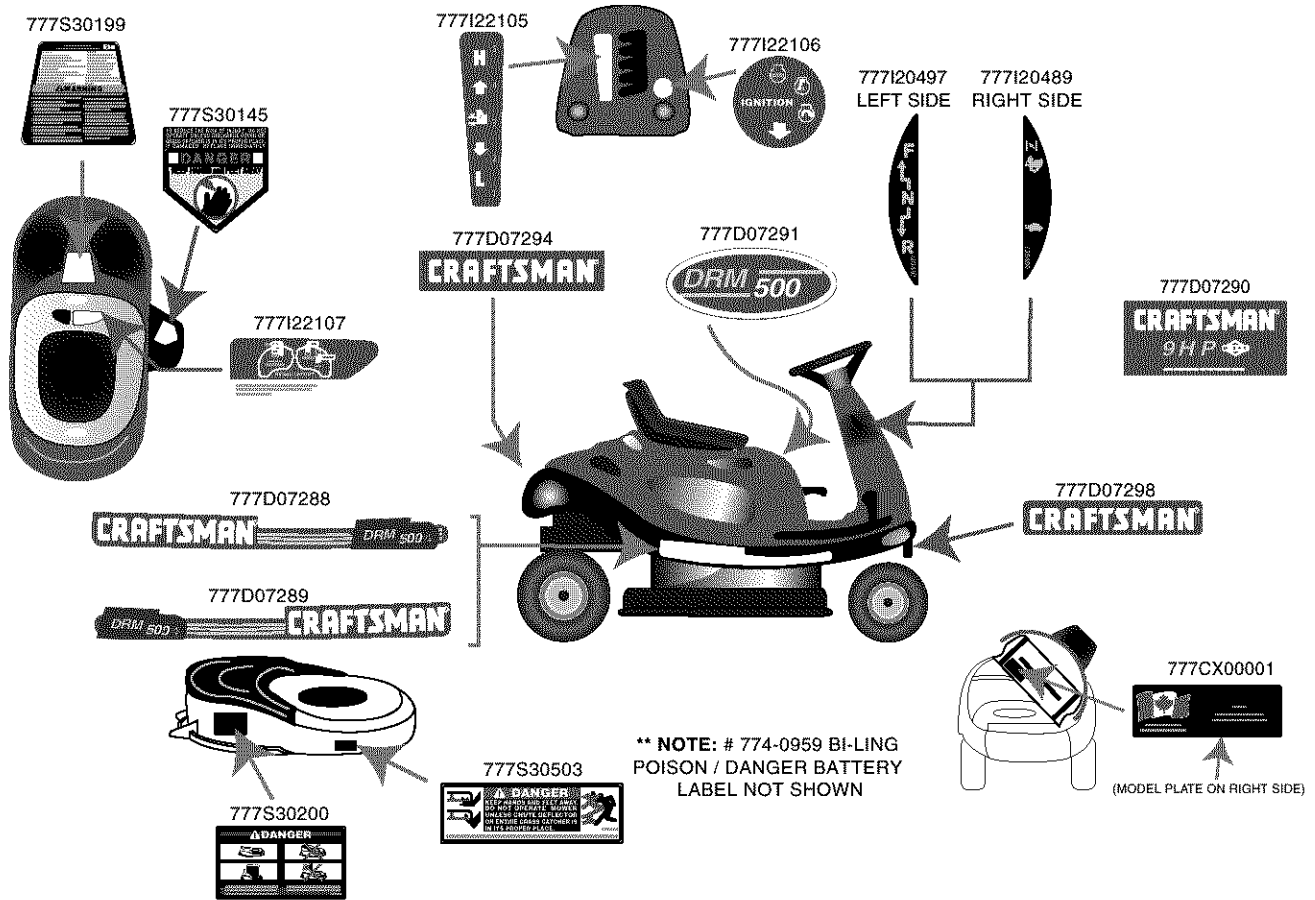
Key No.	Part No.	Description
1.	629-0945	Harness Assembly w/o relays
2.	725-0267	Ignition Switch: 5 Pin
3.	725-1426	Solenoid: 12 V. 100 amp.
4.	725-04040	Seat Switch
5.	725-1643	Spring Switch
6.	725-1657A	Interlock Switch
7.	725-1381	Fuse: 20 amp.
8.	725-1726	Battery Cover
9.	725-3237	Battery Cover: Red
10.	729-0357	Fuse Holder w/Clip
11.	729-0359	Harness Clip

Parts List for Craftsman Riding Lawn Mower Model 247.27020

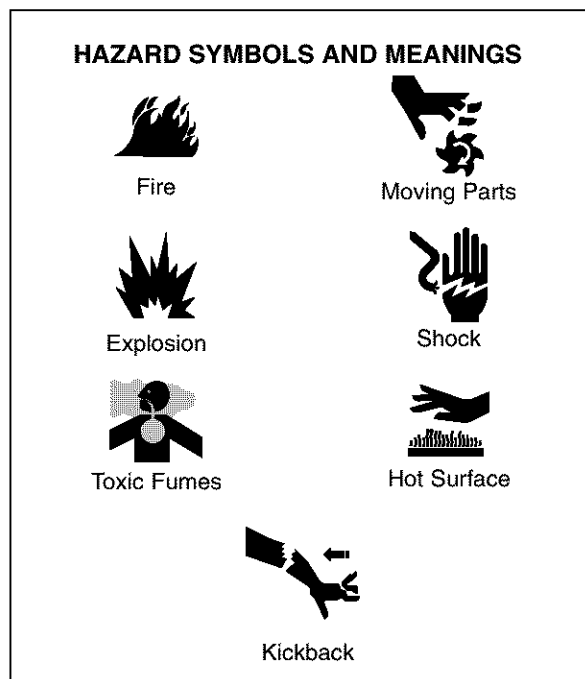


KeyNo.	Part No.	Description
1.	631-04028	Steering Wheel: 3Spoke
2.	731-04039	Steering Wheel Cap
3.	731-1919	Steering Column: Black
4.	731-1857	Control Knob
5.	712-0142	Hex Nut 8-32
6.	710-3217	Pan Head Machine Screw #8-32
7.	710-0599	Hex Screw TT 1/4-20 x .50"

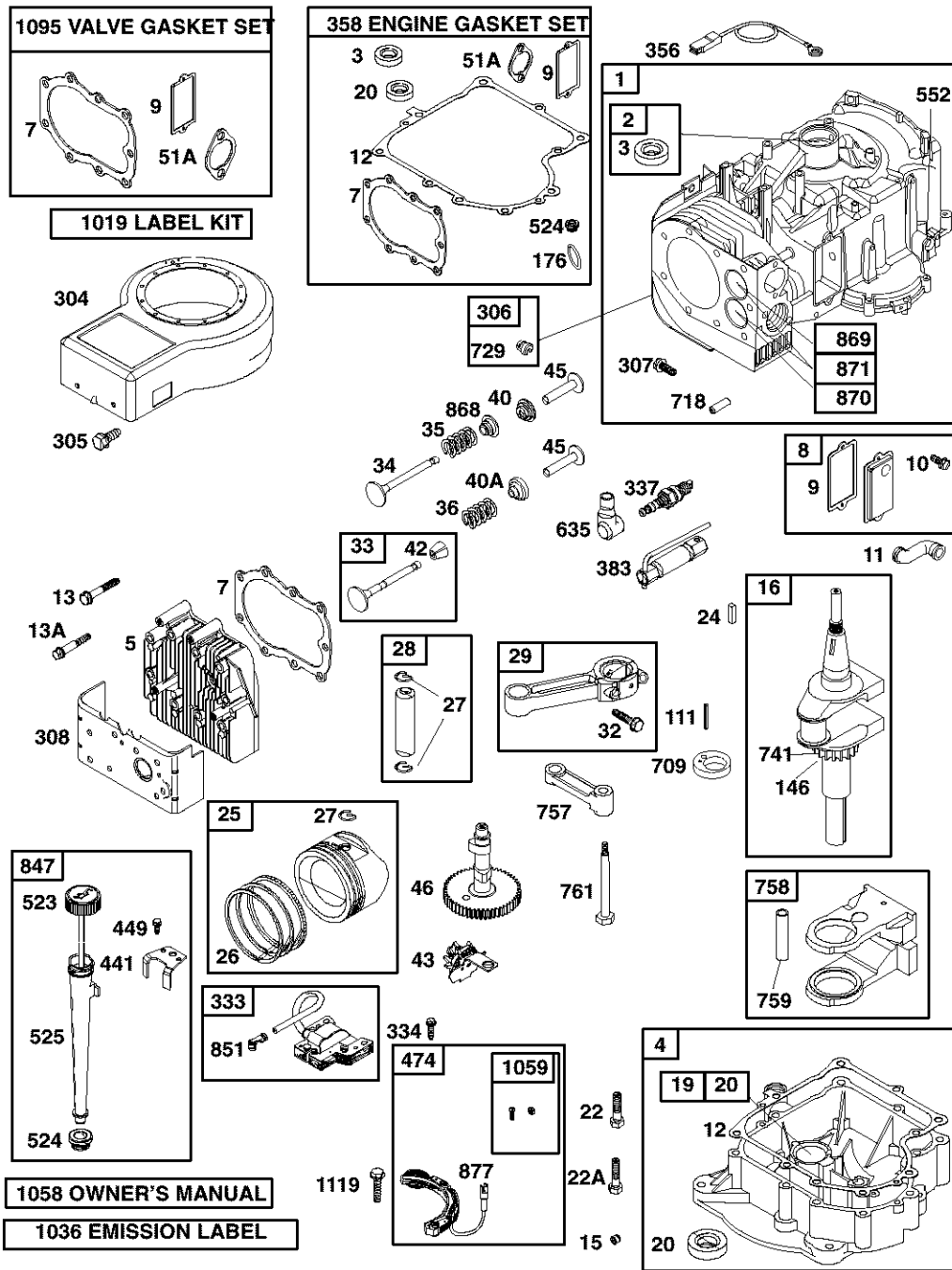
Safety & Decorative Labels for Craftsman Riding Lawn Mower Model 247.27020



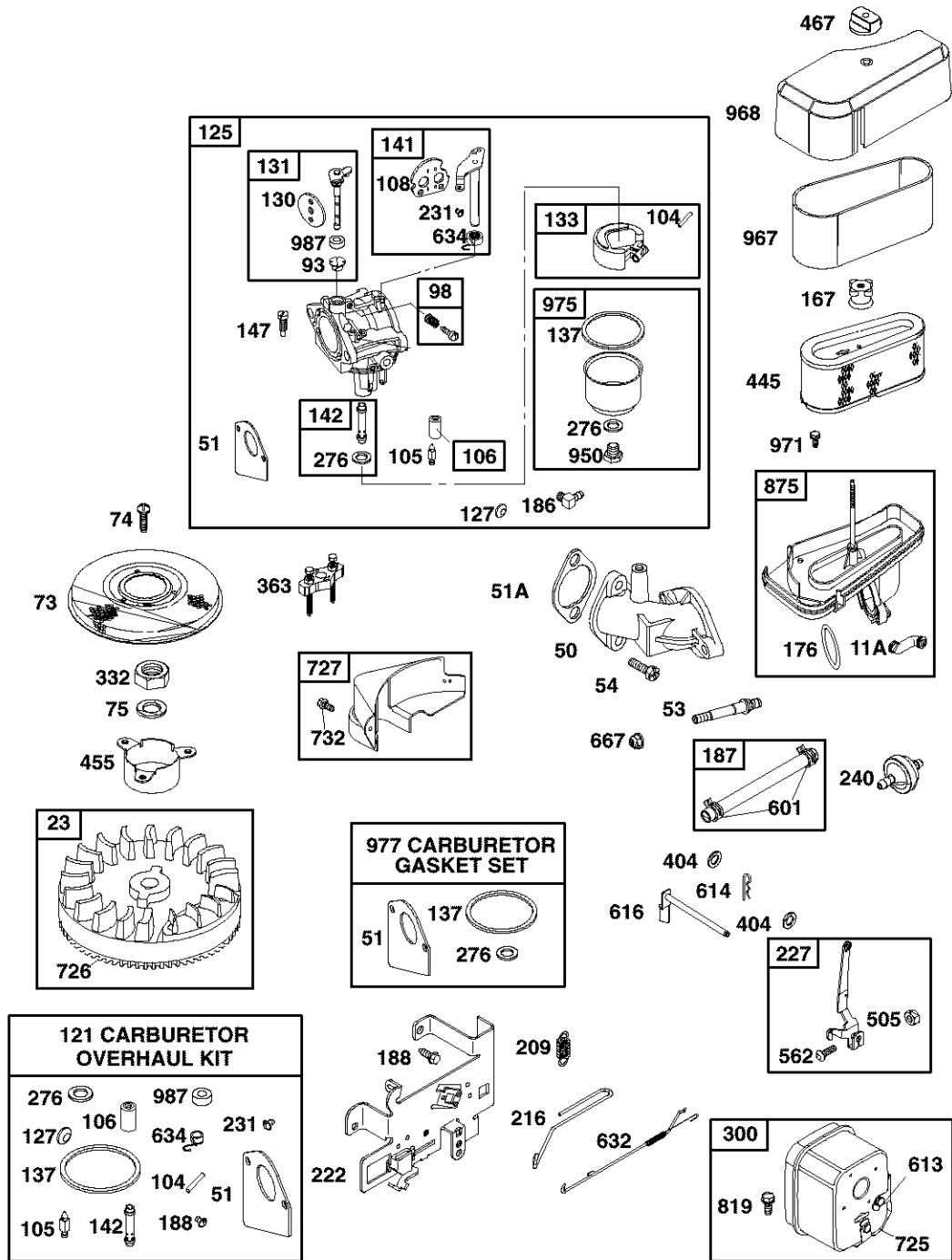
On Engine:



Briggs & Stratton Engine 198707-0141 for Craftsman Riding Mower Model 247.27020

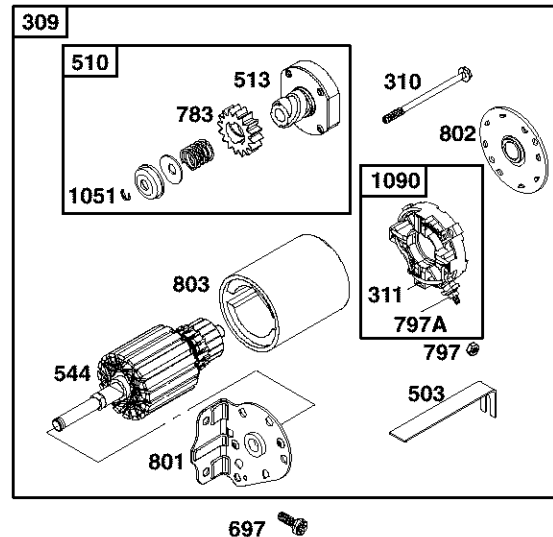


Briggs & Stratton Engine 198707-0141 for Craftsman Riding Mower Model 247.27020



Briggs & Stratton Engine 198707-0141 for Craftsman Riding Mower Model 247.27020

Key No.	Part No.	Description
1	495623	Cylinder Assembly
2	495657	Kit: Bushing/ Seal (Magneto side)
3	391086	Oil Seal (Magneto side)
4	392548	Sump: Engine
5	691715	Head: Cylinder
7	272163	Gasket: Cylinder Head
8	495735	Breather Assembly
9	27803	Gasket: Breather
10	691666	Screw (Breather Assembly)
11	692293	Tube: Breather
11B	692253	Tube: Breather
12	692221	Crankcase Gasket (.015" Thick)
	27876	Crankcase Gasket (.005" Thick)
	27877	Crankcase Gasket (.009" Thick)
13	691651	Screw (Cylinder Head): 2-5/8" Lg.
13A	690904	Screw (Cylinder Head): 2-15/16" Lg.
15	690946	Plug: Oil Drain
16	694054	Crankshaft
19	295963	Kit: Bushing/Seal (PTO Side)
20	391086	Oil Seal (PTO Side)
22	691625	Screw (Crankcase Cover/Sump)
22A	691103	Screw (Crankcase Cover/Sump)
23	691354	Flywheel (Electric Start)
24	222698	Key: Flywheel
25	499907	Piston Assembly (Standard)
	499908	Piston Assembly (.010" Oversize)
	499909	Piston Assembly (.020" Oversize)
	499910	Piston Assembly (.030" Oversize)
26	499921	Ring Set (Standard)
	690018	Ring Set (.010" Oversize)
	690019	Ring Set (.020" Oversize)
	690020	Ring Set (.030" Oversize)
27	690975	Lock: Piston Pin
28	499302	Pin: Piston (Standard)
	295841	Piston Pin (.005" OS)
29	390402	Connecting Rod (Standard)
	390773	Connecting Rod (.020" Undersize)
32	690352	Screw (Connecting Rod)
33	691794	Exhaust Valve
34	261055	Intake Valve
35	691605	Valve Spring: Intake
36	691597	Valve Spring: Exhaust
40	690656	Valve Retainer (Intake)
40A	691939	Valve Retainer (Exhaust)
42	494553	Valve Keeper
43	691980	Governor/Oil Slinger
45	691793	Tappet: Valve
46	691167	Camshaft



Key No.	Part No.	Description
50	691711	Intake Manifold
51	692284	Intake Gasket (Manifold to Carbtr.)
51A	272554	Intake Gasket (Manifold to Cylindr.)
53	690227	Stud (Carburetor)
54	690953	Screw (Intake Manifold)
73	691748	Screen: Rotating
74	691655	Screw: Rotating Screen
75	690582	Washer (Flywheel)
93	690602	Bushing: Throttle Shaft
98	495800	Kit: Idle Speed
104	690525	Pin: Float Hinge
105	231855	Valve: Float Needle
106	690577	Seat: Inlet
111	691679	Retainer Pin
121	497535	Kit: Carburetor Overhaul
125	692684	Carburetor
127	695005	Plug: Welch
130	690468	Throttle Valve
131	494885	Kit: Throttle Shaft
133	494381	Float: Carburetor
137	281165	Gasket: Float Bowl
141	495931	Choke Shaft Kit
142	690121	Carburetor Nozzle
146	690979	Key: Timing
147	497472	Jet: Pilot
167	692297	Seal: Air Cleaner Nut
176	691917	Seal: O Ring
186	692317	Hose Connector
187	296004	Fuel Line
188	691693	Screw (Control Bracket)

Briggs & Stratton Engine 198707-0141 for Craftsman Riding Mower Model 247.27020

Key No.	Part No.	Description	Key No.	Part No.	Description
209	690480	Spring: Governor	616	692012	Crank: governor
216	690573	Link: Choke	632	693663	Spring/Link: Mech. Governor
222	694042	Bracket: Control	634	690802	Spring/Seal Assy. (Choke A Matic)
227	691374	Lever: Governor Control	635	66538	Spark Plug Boot
231	691636	Screw (Choke Valve)	667	690958	Nut (Air Cleaner Base)
240	298090	Fuel Filter	697	690372	Screw: Drive Cap
276	692255	Washer: Sealing	709	691268	Eccentric
300	393010	Muffler (Round Lo Tone)	718	690959	Pin: Locating
304	496832	Blower Housing	725	690433	Heat Shield (Super Lo Tone)
305	692198	Screw (Blower Housing)	726	399676	Gear Ring
306	496797	Cylinder Shield	727	395405	Starter Drive Cover
307	691003	Screw: Cylinder Shield	729	690603	Wire Clip
308	691201	Cover: Cylinder Head	732	691097	Screw (Starter Drive Cover)
309	693054	Starter Motor	741	691288	Timing Gear
310	690323	Bolt: Starter Motor	757	691714	Link: Counterweight
311	497608	Brush Set	758	690619	Counterweight
332	690662	Nut: Flywheel	759	691239	Pin: Counterweight
333	398811	Magneto Armature	761	690346	Screw: Counterweight
334	691061	Screw: Magneto Armature	783	693059	Pinion Gear
337	802592	Spark Plug	797	693167	Nut (Brush Retainer)
356	690799	Wire: Stop	797A	693167	Nut (Brush Retainer)
358	299577	Gasket Set: Engine	801	691429	Cap: Drive
363	19165	Flywheel Puller	802	691286	End Cap
383	89838	Wrench: Spark Plug	803	693757	Starter Housing
404	691691	Washer: Governor Crank	819	690810	Screw: Muffler Bracket
441	690593	Oil Fill Bracket	847	392066	Dipstick
445	691667	Filter: Air Cleaner Cartridge	851	493880	Spark Plug Terminal
449	690664	Screw: Oil Fill Bracket	868	692036	Seal: Valve
450	691261	Washer: Fuel Tank Bracket	869	691703	Valve Seat: Intake
455	691173	Cup: Flywheel (Straight side)	870	691844	Valve Seat: exhaust
467	691668	Knob: Air Cleaner	871	261961	Bushing: Valve Guide
474	696578	Alternator	875	693670	Air Cleaner Base
480	690664	Screw (Tube Clamp)	877	393814	Wire/Connector-Alternator (DC)
503	691532	Strap: Starter	950	691657	Screw: Float Bowl
505	691251	Nut (Governor Control Lever)	967	272477	Filter: Pre-Cleaner
510	497606	Drive: Starter	968	691324	Cover: Air Cleaner
513	692024	Drive Clutch	975	495933	Float Bowl
523	691387	Dipstick	977	494385	Carburetor Gasket Set
524	281370	Seal: Dipstick Tube	987	691326	Throttle Shaft Seal
525	692963	Dipstick Tube	1019	696491	Label Kit
544	692034	Armature: Starter	1036	695697	Label: Emission
552	491986	Bushing: Governor Crank	1051	691265	Retaining Ring
562	691119	Bolt: Governor Control Lever	1059	698516	Kit-Screw/Washer
601	95162	Hose Clamp	1090	691293	Retainer
613	691632	Screw (Muffler)	1095	498536	Gasket Set: Valve
614	691620	Cotter Pin	1119	691183	Screw (Alternator)

CONTENIDO

Contenido	Pág.	Contenido	Pág.
Información sobre la garantía	46	Mantenimiento	65
Prácticas de seguridad en la operación	47	Almacenamiento fuera de temporada.....	69
Medidor de pendientes	50	Solución de problemas	69
Montaje	51	Listado de partes	25
Operación	53	Atención a clientes.	72
Servicio y Ajuste.....	59		

INFORMACIÓN SOBRE LA GARANTÍA

GARANTÍA LIMITADA DE LA PODADORA MONTABLE: Por dos (2) años a partir de la fecha de compra, si el equipo montable Craftsman se mantiene, lubrica y se afina de acuerdo con las instrucciones en el manual del propietario, Sears reparará o reemplazará sin costo para usted cualquier parte que se encuentre defectuosa en material o mano de obra de acuerdo con los lineamientos de la cobertura listados más abajo.

Sears proporcionará la mano de obra libre de cargo para usted por el servicio de las partes en garantía durante los dos años completos. Durante los primeros 30 días a partir de la fecha de compra, no habrá cargo por servicio al producto en su domicilio por todo lo que está cubierto en esta garantía. (Ver excepciones abajo).

Para su conveniencia, el servicio de garantía EN CASA estará disponible después de los primeros 30 días de la compra, pero se cobrará una cuota por la visita. Este cargo se dispensará si el producto se lleva hasta un centro de servicio autorizado por Sears. Para saber cuál es el centro de servicio autorizado Sears más cercano a su localidad, por favor llame al 1-800-4-MY-HOME(R). Esta garantía aplica solamente mientras el producto esté dentro de los Estados Unidos.

EXCLUSIONES

Esta garantía no cubre:

- Elementos que se desgastan por el uso normal, incluyendo entre otros, las cuchillas, bujías, filtros de aire, bandas, y filtros de aceite.
- Servicios de mantenimiento estándar, cambio de aceite o afinación
- Cambio de llantas o reparaciones causadas por pinchaduras con clavos, espinas, vidrios, etc.
- Reparaciones necesarias debido al mal uso por parte del operador, incluyendo entre otros, el daño ocasionado por arrastrar objetos más allá de la capacidad del equipo montable, el impacto de otros objetos que doblen la estructura o impacten el cigüeñal, o por forzar el motor.
- Reparaciones necesarias debido a negligencia del operador, incluyendo entre otros, daños mecánico y eléctrico ocasionado por un almacenamiento no apropiado, falla por el uso de aceite de grado y/o cantidad no apropiada, falla por no mantener limpia el área de cubierta, libre de residuos inflamables, o por no dar mantenimiento al equipo de acuerdo con las instrucciones contenidas en el manual del propietario.
- Limpieza o reparaciones al motor (sistema de combustible) provocadas por un combustible contaminado u oxidado (viejo). En general, el combustible debe utilizarse en un período no mayor de 30 días a partir de su adquisición.
- El deterioro normal y desgaste de los acabados exteriores, o reemplazo de la etiqueta del producto.
- Equipo montable utilizado con fines comerciales o renta.

GARANTÍA LIMITADA DE LA BATERÍA

Por noventa (90) días a partir de la fecha de compra, si la batería incluida con este equipo montable presenta defectos en material o mano de obra y las pruebas que nosotros efectuemos determinan que la batería no mantiene la carga, Sears reemplazará la batería sin costo para usted. Durante los primeros 30 días a partir de la fecha de compra, no habrá cargo por reemplazar la batería en su domicilio. Para su conveniencia, el servicio de garantía EN CASA estará disponible después de los primeros 30 días de la compra, pero se cobrará una cuota por la visita. Este cargo se dispensará si el producto Craftsman se lleva hasta un centro de servicio autorizado por Sears. Para saber cuál es el centro de servicio autorizado Sears más cercano a su localidad, por favor llame al 1-800-4-MY-HOME(R). Esta garantía

ESPECIFICACIONES DEL PRODUCTO

Caballaje:9.0
 Aceite para el motor 36 oz. o 1.1 litros
 CombustibleRegular sin plomo
 Bujías:.....N/P 802592
 Motor:.....198707-0141
 Llave de encendido (Std.)N/P 725-0201

MODELO NÚMERO

Model número 247.27020
 Número de Serie.....
 Fecha de compra.....
 Registre el número de serie y la fecha de compra y conserve en un sitio seguro para referencia futura.

PRÁCTICAS DE SEGURIDAD EN LA OPERACIÓN



ADVERTENCIA: Este símbolo indica instrucciones de seguridad importantes que de no seguirse, podría poner en peligro la seguridad personal y/o la propiedad suya y de terceros. Lea y siga todas las instrucciones en este manual antes de iniciar la operación de esta máquina. En caso de no seguir estas instrucciones podría provocar lesiones personales. Cuando vea este símbolo—siga la advertencia.



ADVERTENCIA: La batería y las emisiones del motor contienen químicos que a saber del estado de California, producen cáncer, defectos de nacimiento o daño a la salud reproductiva. La batería y sus terminales contienen plomo, por lo que deberá lavarse las manos después de entrar en contacto con ellas.



ADVERTENCIA: Esta máquina fue construida para ser operada de acuerdo con las reglas de seguridad en la operación contenidas en este manual. Al igual que con cualquier tipo de equipo eléctrico, una falla o error de parte del operador puede producir graves lesiones. Esta máquina es capaz de amputar manos y pies y de arrojar objetos con gran fuerza. En caso de no obedecer las siguientes instrucciones de seguridad podría producir lesiones severas e incluso la muerte.

Funcionamiento general

1. Lea, entienda y siga todas las instrucciones en la máquina y en el manual antes de armarla y operarla. Guarde este manual para consultarlo regularmente y para ordenar partes de reemplazo.
2. Familiarícese con todos los controles y su operación apropiada. Conozca como detener la máquina y desactivarla rápidamente.
3. No permita nunca que los niños menores de 14 años operen esta máquina. Los niños mayores de 14 años deben leer y entender las instrucciones de operación y reglas de seguridad contenidas en este manual y deben ser entrenados y supervisados por sus padres.
4. Nunca permita que los adultos operen esta máquina sin recibir antes instrucción apropiada.
5. Para ayudar a evitar el contacto con las cuchillas o una lesión por algún objeto que sea arrojado, mantenga a las personas que lo observan, a los ayudantes, niños y mascotas alejados al menos 25 metros de la máquina mientras está en funcionamiento. Detenga la máquina si alguien traspasa este radio de seguridad.
6. Inspeccione detalladamente el área en donde utilizará el equipo. Retire todas las piedras, palos, llantas, huesos, juguetes y otros objetos extraños que podrían ser recogidos y arrojados por la acción de las cuchillas. Los objetos arrojados podrían ocasionar lesiones personales severas.
7. Planifique el patrón en el que va a ir descargando el recorte para evitar que la descarga de material se realice hacia los caminos, los observadores, etc. Evite además descargar material contra las paredes y obstrucciones que podrían provocar que el material descargado rebote contra el operador.
8. Para protegerse los ojos utilice siempre anteojos o antiparras de seguridad mientras opera la máquina o mientras la ajusta o repara. Los objetos arrojados que rebotan pueden lesionar gravemente la vista.
9. Utilice zapatos de trabajo resistentes, de suela fuerte y pantalones y camisas ajustados. Las prendas sueltas o las alhajas pueden quedar atrapadas en las piezas móviles. Nunca opere esta máquina estando descalzo o con sandalias.
10. Esté atento de la podadora y de la dirección de la descarga de los aditamentos y no apunte a nadie. Nunca opere esta podadora sin que estén en su lugar apropiado la cubierta de descarga o bolsa recolectora de pasto.
11. No ponga las manos o los pies cerca de las piezas rotatorias o en la tolva de la cortadora. El contacto con las cuchillas puede producir la amputación de manos y pies.
12. Una cubierta de descarga faltante o dañada puede provocar el contacto con la cuchilla o lesiones por objetos arrojados.
13. Detenga las cuchillas cuando cruce caminos de gravilla, pasillos o caminos y cuando no esté recortando el césped.
14. Vigile el tránsito vehicular cuando esté operando cerca o en cruces de caminos. Esta máquina no está diseñada para operarse en la vía pública.
15. No opere esta máquina estando bajo los efectos del alcohol o de drogas.
16. Corte el césped solamente con luz de día o con una buena luz artificial. Nunca transporte pasajeros.
17. Desenganche las cuchillas antes de colocar la reversa. Retroceda lentamente. Siempre mire hacia abajo y atrás antes y mientras va en reversa para evitar un accidente.
18. Reduzca la velocidad antes de dar la vuelta. Opere la máquina suavemente. Evite la operación errática y la velocidad excesiva.
19. Desenganche las cuchillas, coloque el freno de mano, detenga el motor y espere hasta que las cuchillas se detengan por completo antes de retirar el colector de recortes de césped, vaciar los recortes, destapar la tolva, retirar cualquier residuo o desecho, o hacer cualquier ajuste.
20. Nunca deje la máquina en funcionamiento sin vigilancia. Apague siempre las cuchillas, coloque la transmisión en neutral, coloque el freno de mano, detenga el motor y saque la llave, antes de bajarse del vehículo.
21. Tenga cuidado al cargar o descargar la máquina en un camión. Esta unidad no debe conducirse en ascenso o descenso de rampas, porque podría ladearse y provocar lesiones personales graves. Debe empujar manualmente la unidad en la rampa para cargarla o descargarla apropiadamente.

22. El silenciador y el motor se calientan y producen una quemadura. No los toque.
23. Revise los espacios por encima de la cabeza antes de conducir bajo las ramas de los árboles, cables, cerramientos de puertas, etc. en donde el operador podría atorarse o ser empujado sacándolo de la unidad, lo que podría resultar en lesiones graves.
24. Desenganche todos los embragues de aditamentos, presione el pedal de frenos completamente y cambie a neutral antes de intentar arrancar el motor.
25. Su máquina está diseñada para cortar césped residencial normal, con una altura no mayor a 10". No intente cortar césped demasiado crecido, seco (pastura) o pilas de hojas secas. El césped y las hojas secas pueden entrar en contacto con el escape del motor y/o acumularse en la cubierta de la podadora, convirtiéndose en un peligro de incendio
26. Utilice solamente partes y accesorios fabricados especialmente para esta máquina, originales del fabricante (OEM). Lea, comprenda y siga todas las instrucciones proporcionadas con los accesorios o aditamentos.
27. Los datos estadísticos muestran que los conductores mayores de 60 años se ven implicados en un alto porcentaje de lesiones relacionadas con tractores. Estos operadores deben evaluar su capacidad para operar el tractor en forma suficientemente segura para protegerse a ellos mismos y a los demás contra lesiones graves.
28. Si se presentan situaciones que no están previstas en este manual sea cuidadoso y use el sentido común. Contacte al centro de servicio Sears para obtener ayuda.

Funcionamiento en pendientes

Las pendientes son un factor importante que se relaciona con accidentes de derrapes y caídas que puede producir lesiones graves e incluso la muerte. La operación en pendientes requiere mayor precaución. Si no puede retroceder en la pendiente o no siente que sea fácil, no puede allí.

Para seguridad, use el medidor de pendientes que se incluye como parte de este manual para medir la pendiente antes de operar la unidad en una zona inclinada. Si la pendiente es mayor a 15 grados en el medidor, no opere esta unidad allí.

Haga lo siguiente:

1. Pude hacia arriba y abajo de las pendientes, no en forma transversal. Tenga cuidado cuando cambie de dirección cuando opere la máquina en pendientes.
2. Esté atento a los agujeros, raíces, rocas, objetos ocultos o abultamientos que puedan provocar que se derrape o se tropiece. El terreno desnivelado puede voltear la máquina. El césped alto puede ocultar obstáculos.
3. Vaya a baja velocidad. Elija una velocidad lo suficientemente baja de modo que no tenga que detenerse o hacer cambios mientras está sobre la pendiente. Las llantas podrían perder tracción sobre las pendientes aunque los frenos funcionen apropiadamente. Siempre mantenga la máquina con una velocidad seleccionada en la palanca mientras desciende las pendientes para poder frenar con motor.
4. Siga la recomendación del fabricante para los pesos o contrapesos de las llantas para mejorar la estabilidad de

la máquina. Tenga especial cuidado con los colectores de recorte de césped u otros aditamentos, ya que pueden modificar la estabilidad de la máquina.

5. Haga que todos los movimientos en las pendientes sean lentos y graduales. No cambie repentinamente la velocidad ni la dirección. Un frenado o cambio de velocidad repentinos pueden causar que el frente de la máquina se levante y de una voltereta hacia atrás, lo que podría producir lesiones severas.
6. Evite arrancar o detenerse en una pendiente. Si las llantas pierden la tracción, desenganche las cuchillas y descienda lentamente la pendiente .

No haga lo siguiente:

1. No de vuelta sobre las pendientes a menos que sea necesario. Si es así, de vuelta lenta y gradualmente descendiendo de la pendiente, si es posible.
2. No corte el césped cerca de pozos, hundimientos, bancos, podría perder el equilibrio. La podadora podría volcarse repentinamente si una de las llantas estuviera fuera del borde de un pozo, banco u agujero.
3. No intente estabilizar la máquina poniendo su pie en el piso.
4. No utilice un colector de césped en pendientes escalonadas.
5. No pade el césped húmedo. Una menor tracción podría causar derrapes.
6. No haga cambios a neutral para descender. El exceso de velocidad podría causar que el operador pierda el control de la máquina ocasionando lesiones graves e incluso la muerte.
7. No arrastre cargas pesadas detrás de los aditamentos (carrito de basura cargado, podadora de rodillos, etc) en pendientes mayores de 5 grados. Cuando descienda, el peso adicional tiende a empujar el tractor y podría ocasionar que usted pierda el control. (el tractor podría acelerarse, reduciendo la capacidad de frenando y maniobrabilidad, los aditamentos podrían clavarse y hacer palanca y provocar que el tractor se voltee).

Niños

1. Pueden ocurrir accidentes trágicos si el operador no está atento a la presencia de niños. Por lo general a los niños les atraen las podadoras y la actividad de podar el césped. No entienden los riesgos ni los peligros. Nunca asuma que los niños permanecerán en el mismo lugar donde los vió por última vez.
 - a. Mantenga a los niños fuera del área de trabajo y bajo estricta vigilancia de un adulto responsable además del operador.
 - b. Esté alerta y apague la podadora si un niño ingresa al área.
 - c. Antes y mientras se está moviendo hacia atrás, mire hacia atrás y cuide que no haya niños.
 - d. Nunca transporte niños, aun con la cuchilla apagada. Podrían caerse y resultar severamente lesionados o interferir con la operación segura de la máquina.
 - e. Tenga extrema precaución cuando se aproxime a esquinas ciegas, entradas de puertas, árboles u otros objetos que puedan obstaculizarle la vista de un niño que pudiese correr hacia la podadora.

- f. Desenganche las cuchillas antes de colocar la reversa. La función de "No-Cortar-En Reversa" evita accidentes, no trate de hacer que funcione de otro modo.
 - g. Mantenga alejados a los niños de los motores en marcha o calientes. Pueden sufrir quemaduras con un silenciador caliente.
 - h. Retire la llave cuando deje la máquina sin atención para prevenir el funcionamiento no autorizado.
2. No permita nunca que los niños menores de 14 años operen esta máquina. Los niños mayores de 14 años deben leer y entender las instrucciones de operación y reglas de seguridad contenidas en este manual y deben ser entrenados y supervisados por sus padres.

Servicio

Manejo seguro de la gasolina

1. Para evitar lesiones o daños sea sumamente cuidadoso al manipular la gasolina. La gasolina es altamente inflamable y los vapores son explosivos. . Se puede lesionar gravemente si derrama gasolina sobre usted o sobre la ropa ya que se puede encender. Lave la piel y cámbiese de ropa de inmediato. .
 - a. Utilice sólo recipientes para gasolina autorizados.
 - b. Nunca llene los contenedores en el interior de un vehículo o camión o caja de camioneta con recubrimientos plásticos. Coloque siempre los contenedores en el piso lejos del vehículo antes de llenarlos.
 - c. Cuando sea práctico, retire el equipo a gasolina del camión o remolque y llénelo en el piso. Si esto no es posible, llene el equipo en un remolque con contenedor portátil, en vez de desde un dispensador de gasolina.
 - d. Mantenga la boquilla de llenado en contacto con el borde de la entrada del tanque de gasolina o contenedor en todo momento hasta que esté lleno. No utilice un dispositivo para abrir/cerrar la boquilla.
 - e. Apague todos los cigarrillos, cigarras, pipas y otras fuentes de combustión.
 - f. Nunca cargue combustible en la máquina en un espacio cerrado.
 - g. Nunca saque la tapa del gas ni agregue combustible mientras el motor está caliente o en marcha. Deje que el motor se enfríe por lo menos dos minutos antes de volver a cargar combustible.
 - h. Nunca recargue el tanque de combustible. Llene el tanque no más de 1/2 pulgada por debajo de la base del cuello del filtro para dejar espacio para la dilatación del combustible. .
 - i. Vuelva a colocar la tapa de la gasolina y ajústela bien.
 - j. Limpie la gasolina derramada sobre el motor y el equipo. Traslade la máquina a otra zona. Espere 5 minutos antes de encender el motor.
 - k. Para reducir el riesgo de incendio mantenga la máquina limpia de pasto, hojas y de acumulación de otros escombros. Limpie los derrames de aceite o combustible y saque todos los escombros embebidos con combustible. .
 - l. Nunca almacene la máquina o el recipiente de

combustible en un espacio cerrado donde haya fuego, chispas o luz piloto como por ejemplo, calentadores de agua, hornos, secadores de ropa, otros aparatos a gas, etc.

- m. Deje que la máquina se enfríe 5 minutos por lo menos antes de almacenarla.

Servicio general

1. Nunca encienda un motor en espacios cerrados o en una zona con poca ventilación. El escape del motor contiene monóxido de carbono, un gas inodoro y letal. .
2. Antes de limpiar, reparar o inspeccionar la máquina, compruebe que la cuchilla y todas las partes que se mueven se hallan detenido. Desconecte el cable de la bujía y póngalo de manera que haga masa contra el motor para evitar que se encienda de manera accidental.
3. Revise periódicamente para asegurarse de que las cuchillas se detengan por completo en aproximadamente cinco (%) segundos después de accionar el control de desenganche. Si las cuchillas no se detienen en este tiempo, su unidad debe ser reparada por un profesional en un centro de servicio autorizado.
4. Revise con frecuencia el funcionamiento del sistema de frenos ya que está sujeto a desgaste por la operación normal. Ajuste/de servicio segun se requiera.
5. Revise los pernos de montaje de la cuchilla y del motor a intervalos frecuentes para verificar que estén bien apretados. Además, inspeccione visualmente la cuchilla en busca de daños (desgaste excesivo, abolladuras, cuarteaduras, etc)

Reemplace las cuchillas sólo con partes de los fabricantes de equipos originales (O.E.M.) listadas en este manual. "La utilización de partes que no cumplan con las especificaciones de equipos originales podría tener como resultado un rendimiento incorrecto y además la seguridad podría estar comprometida"
6. Las cuchillas de las podadoras son muy afiladas y podrían cortarlo. Envuelva la cuchilla o utilice guantes y extreme precauciones cuando le de servicio.
7. Mantenga todos los pernos, tuercas y tornillos bien ajustados para asegurarse que la máquina se encuentra en condiciones seguras de operación
8. Nunca intente violar el sistema de bloqueo de seguridad u otros mecanismos de seguridad. Verifique regularmente si funciona de manera correcta.
9. Después de golpear con algún objeto extraño, detenga el motor, desconecte el cable de la bujía y conecte el motor a masa. Inspeccione minuciosamente para ver si la máquina está dañada. Repare el daño antes de arrancar y operar.
10. Nunca trate de hacer ajustes o reparaciones a la máquina mientras el motor está en marcha.
11. Los componentes de la tolva para recorte y la cubierta de descarga, están sujetos a desgaste y daños que podría dejar expuestas partes que se mueven o permitir que se arrojen objetos. Para proteger su seguridad, verifique frecuentemente todos los componentes y reemplácelos sólo con partes de los fabricantes de equipos originales (O.E.M.) listadas en este manual. "La utilización de partes que no cumplan con las especificaciones de equipos originales podría tener como resultado un rendimiento incorrecto y además la seguridad podría estar comprometida"

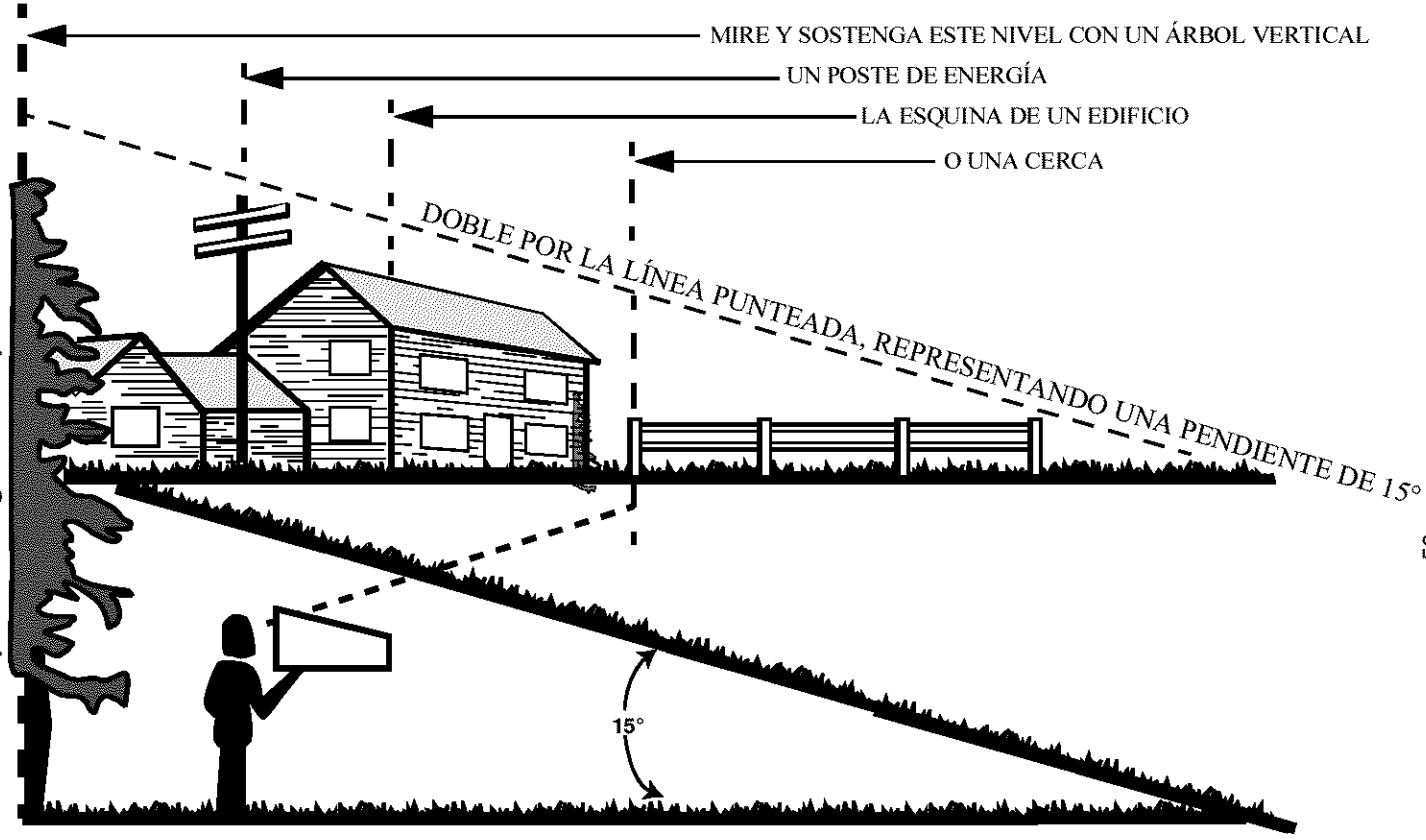
12. No cambie la configuración del regulador del motor ni lo opere a una velocidad demasiado elevada. El regulador controla la velocidad máxima segura de operación del motor.
13. Mantenga o reemplace las etiquetas de seguridad e instrucciones según sea necesario.
14. Respete las normas referentes a la disposición correcta y las reglamentaciones sobre gas, combustible, etc. para proteger el medio ambiente.

Su responsabilidad:

Sólo permita que usen esta máquina eléctrica las personas que lean, comprendan y respeten las advertencias y las instrucciones que aparecen en este manual y en la máquina.

INDICADOR DE PENDIENTE

Use esta página como una guía para determinar las inclinaciones de las pendientes de las pendientes en las que podría no tener una operación segura de su podadora.



ADVERTENCIA:

No opere en inclinaciones mayores a 15 grados (elevación aproximada de 2 1/2 pies por cada 10 pies). Una podadora en movimiento podría voltearse y causar lesiones severas. Si opera en un camino detrás de una podadora en una pendiente, es extremadamente difícil mantener su paso y podría derraparse, resultando en lesiones graves. Opere las podadoras MONTABLES arriba y abajo de las pendientes, nunca a través de la cara de las pendientes. Opere las podadoras QUE SE EMPUJAN a través de la cara de las pendientes., nunca arriba y abajo.

MONTAJE

Desempaque

1. Retire todos los tornillos y grapas de embalaje.
2. Sostenga los lados de la caja firmemente, levante la parte superior y retírela. Evite pinchar las llantas.
3. Retire y descarte la bolsa de plástico que cubre la unidad.
4. Levante la parte posterior de la podadora y deje libre el fondo de la caja. Repita por el frente.
5. Asegúrese que el freno de mano no está colocado. Vea en Figura 6 la ubicación del freno de mano.
6. Deslice la unidad hasta sacarla de la caja.

Partes sueltas

Saque las partes sueltas de la tolva para recortes y/o la caja con mucho cuidado. Compare con la lista y la ilustración de abajo (Figura 1).

- i. Adaptador para abono y tolva de descarga lateral
- ii. Manga para drenado de aceite
- iii. Llaves de encendido (no se muestran)
- iv. Manual del operador (no se muestra)

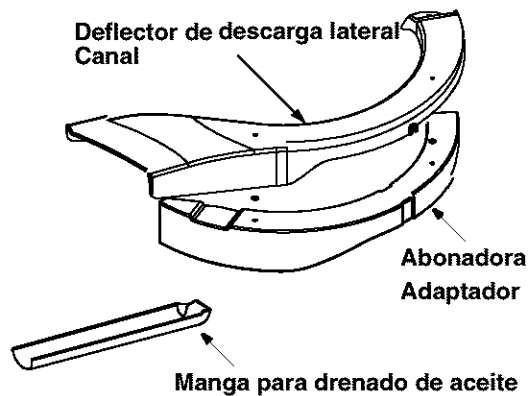


Figura 1

NOTA: Desde la posición de funcionamiento, se observa la referencia a la derecha o a la izquierda.

- Su podadora montable se envía sin gasolina ni aceite en el motor. Sin embargo, usted **debe** revisar el nivel de aceite antes de ponerla a funcionar. Tenga cuidado de no llenar en exceso.

Instalación de los cables de la batería

La batería se localiza bajo el cofre sobre la llanta trasera izquierda. Consulte Figura 3 .

1. Para llegar hasta la batería, levante el cofre desde la parte izquierda solamente. Párese del lado derecho de la unidad y jale el cofre hacia usted hasta que se abra por completo. Ver Figura 2 .

NOTA: No levante el cofre por las dos aberturas de ventilación detrás del asiento.

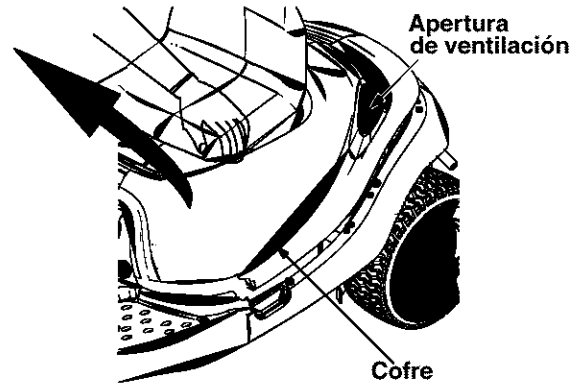


Figura 2

2. Retire las palometas que sujetan la batería y cubierta a las varillas de la batería. Ver Figura 3 .
3. Retire los tapones rojo y negro de las terminales de la batería. Ver Figura 3 .
4. Retire los tornillos de terminal de la batería con un destornillador Phillips o una matraca con dado de 10mm.
5. Una el cable rojo de la batería con la terminal positiva (marcada como +) y el cable negro de la batería a la terminal negativa (marcada con -) en la batería. Ver Figura 3 .

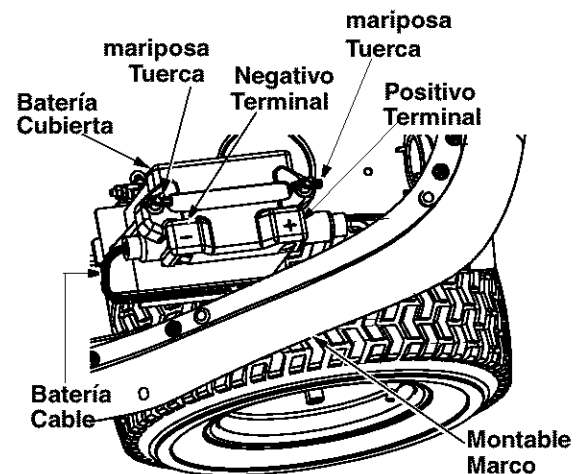


Figura 3

6. Alinee los cables con las ranuras en la cubierta de la batería y apriete los tornillos en las terminales de la batería.



ADVERTENCIA: Presione los cables de la batería hacia un lado de la misma para que no hagan contacto con el marco de montaje cuando se abra o se cierre.

- Vuelva a colocar la cubierta de la batería en las varillas en los dos extremos con las palometas que quitó anteriormente. Revise para asegurarse de que los cables pasan fácilmente por las ranuras en la cubierta.
- Coloque la mano derecha del lado izquierdo del asiento y baje lentamente el cofre para cerrarlo.

NOTA: No coloque su mano alrededor del borde inferior del cofre ya que podría machucarse entre el cofre y la tolva del riel.

Unión de la tolva de descarga lateral



ADVERTENCIA: Los postes de la batería, terminales y accesorios contienen plomo y compuestos de plomo. Lávese las manos después de entrar en contacto con estos componentes.

Su podadora montable se envía con la tolva completamente colocada en la unidad. La tolva de descarga lateral y el adaptador para abonadora se incluyen por separado. Siga las instrucciones a continuación para colocar la tolva de descarga lateral.



ADVERTENCIA: No opere la podadora si no están instaladas una o más de las partes: tolva para recorte, tolva de descarga lateral o adaptador para abono.

- Suba el cofre y baje la palanca de ajuste de la altura de corte a su posición más baja.
- Retire las dos palometas (A y B en Figura 4) de los dos extremos de la tolva para descarga de recorte.
- Deslice la tolva para recorte a la derecha y afuera del marco de la cubierta. Deslice la tolva de descarga lateral para meterla y colóquela en la cubierta de modo que las posiciones de las tres tuercas de mariposa se alineen con la cubierta.
- Reinserte las palometas A y B. Apriete.

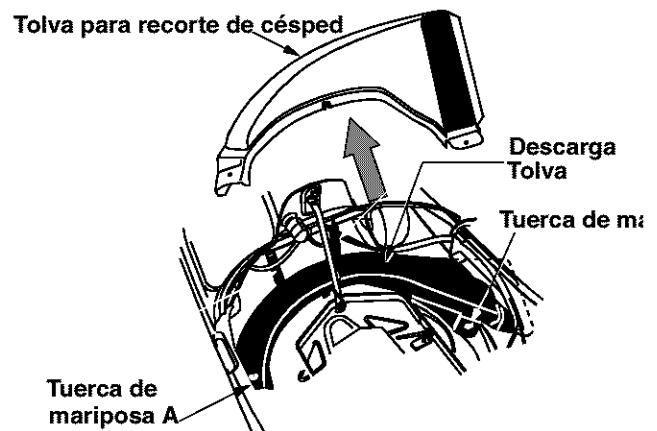


Figura 4

Unión del adaptador para abono

Al operar su podadora montable, usted tiene tres opciones: (i) coleccionar los recortes de césped en la tolva, (ii) descargar los recortes por un lado, o (iii) usar los recortes para abonar el mismo césped. Para la tercera opción, una el adaptador para abono a la tolva de descarga lateral y luego a la cubierta.

- Coloque los dos pernos hexagonales a través del adaptador para abono en las aberturas correspondientes. Ver Figura 5.
- Coloque las tuercas sobre los pernos hexagonales.

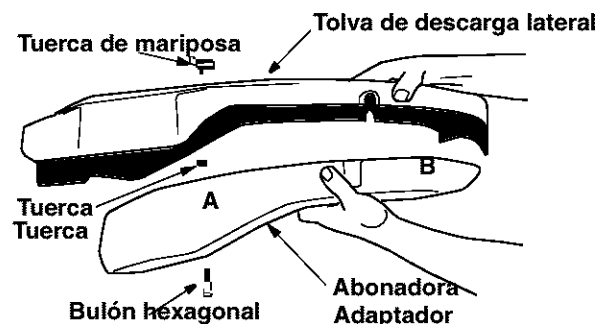


Figura 5

- Inserte el adaptador en la tolva de descarga lateral alineando las dos ranuras en los dos lados de la tolva con los del adaptador.
- Para unir ahora el adaptador a la unidad, siga las instrucciones en la página anterior para unir la tolva de descarga lateral a la cubierta.
- Coloque una tuerca de mariposa en cada uno de los pernos hexagonales y de unas cuantas vueltas. Ver Figura 5. Revise que el adaptador esté alineado correctamente con la tolva de descarga.
- Ajuste la tuerca a mariposa.

OPERACIÓN

Conozca las propiedades de la podadora

Compare las ilustraciones en Figura 6 con su unidad para familiarizarse con la ubicación de los distintos controles y ajustes.



ADVERTENCIA: Al operar la podadora puede ser que objetos extraños sean arrojados a los ojos lo cual puede dañarlos gravemente. **Utilice siempre los anteojos de seguridad** provistos antes de operar el equipo o mientras lo ajusta o lo repara.

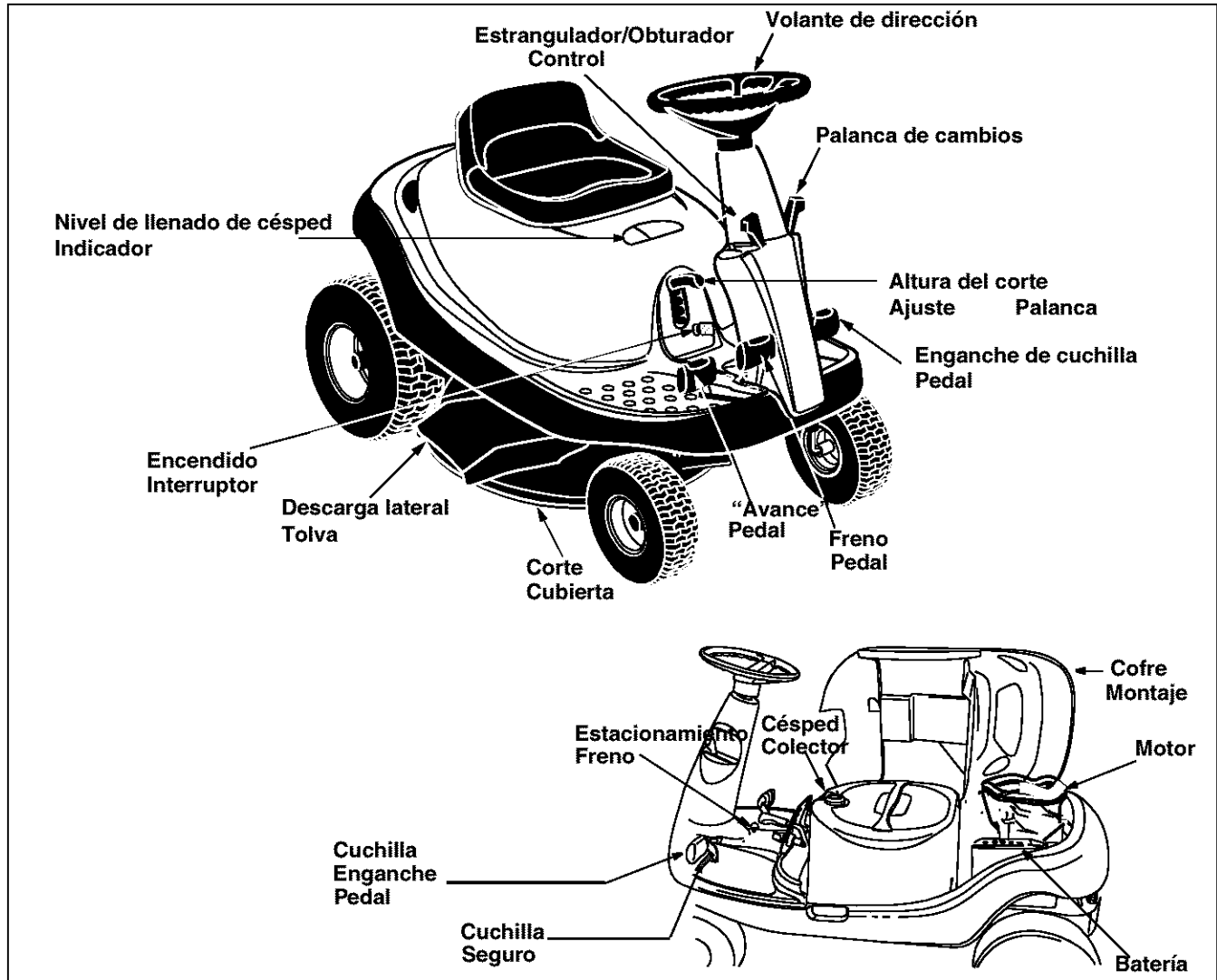


Figura 6

Control de estrangulador/obturador: Use para regular la velocidad del motor y arrancar el motor.

Pedal de avance: Use para regular la velocidad de la podadora.

Interruptor de encendido: Use para encender o apagar el motor.

Palanca de cambios: Use para cambiar la dirección de la podadora.

Indicador de Nivel de llenado de césped: Use para determinar el nivel de recorte en la bolsa y cuando vaciarla.

Freno de mano: Use para detener la podadora e impedir que se mueva mientras está estacionada.

Pedal de enganche de cuchilla: Use para enganchar o desenganchar la cuchilla.

Seguro de la cuchilla: Use para asegurar la cuchilla en su posición enganchada.

Palanca de ajuste de la altura de corte: Use para elvar y bajar la cubierta de corte que determina la altura de corte.

Pedal del freno: Use para detener el movimiento hacia adelante o en reversa de la podadora.

- Conozca la ubicación y función de todos los controles.
- Asegúrese que las cuchillas y el motor se detengan antes de colocar las manos o los pies cerca de las cuchillas.
- Antes de salir de la posición del operador, desenganche las cuchillas, coloque la palanca en neutral, coloque el freno de mano, apague el motor y saque la llave de encendido.

Detención de la podadora

1. Suelte completamente el pedal de enganche de la cuchilla.
2. Suelte completamente el pedal de avance y oprima el pedal de freno.
3. Cuando la podadora se detenga por completo, coloque la palanca de cambios en neutral.
4. Aplique el freno de mano jalándolo hacia arriba.
5. Gire la llave de encendido a la posición OFF (apagado) y sáquela del encendido.

Paro de emergencia

Para detener el vehículo inmediatamente en caso de una emergencia, levante su cuerpo fuera del asiento.

Dispositivo de bloqueo de seguridad

Esta unidad está equipada con un sistema de bloqueo de seguridad para su protección. Los interruptores del dispositivo de bloqueo están conectados al pedal de frenos, al pedal de enganche de la cuchilla, a la palanca de cambios y al asiento.

El sistema de bloqueo de seguridad sirve a un triple propósito:

- a. prevenir que el motor arranque a menos que se presione el pedal de frenos y la cuchilla esté desenganchada;
- b. apagar el motor si la cuchilla no está desenganchada cuando la palanca se coloca en **reversa**; y
- c. apagar el motor cuando el operador sale de su posición sin colocar el freno de mano.



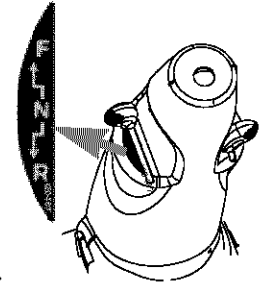
ADVERTENCIA: Para evitar el riesgo de lesiones, no haga funcionar la podadora montable si el sistema de bloqueo de seguridad presenta fallas en su funcionamiento.

Uso de la palanca de cambios

La palanca se utiliza para controlar la dirección de la podadora montable. Puede colocarse en avance al

Frente, en Neutral o en Reversa. Estas posiciones están marcadas como F, N, y R respectivamente en la unidad. Esta unidad está diseñada para no cortar cuando la palanca está en la posición R.

1. Antes de mover la palanca a cualquiera de sus posiciones, presione el pedal de freno y detenga la unidad. Mantenga su pie en el pedal de freno.
2. La palanca de cambios está bloqueada en la posición N. Mueva la palanca hacia afuera (izquierda) y deslice la palanca hacia el frente o F o hacia abajo a la posición de reversa, según lo requiera.

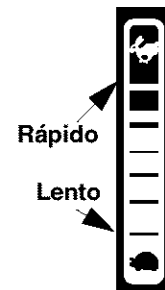


NOTA: Mire hacia atrás y asegúrese que el camino esté libre de obstáculos antes de colocar la palanca en reversa.

3. No exija demasiado a la palanca de cambios. Si no hace el cambio, suelte ligeramente el pedal de freno para alinear el collar de cambio en la transmisión y luego intente mover la palanca.
4. Suelte lentamente el pedal de freno y quite el pie del pedal. Asegúrese que no hay nadie en la trayectoria mientras está moviendo la podadora.

Control de estrangulador/obturador

El control de estrangulador/obturador se usa para aumentar o disminuir la velocidad del motor. Las posiciones de RÁPIDO y LENTO están marcadas con una liebre y una tortuga respectivamente.

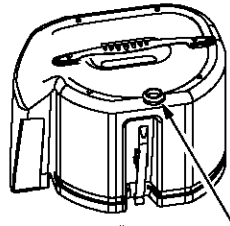


- Para la operación normal y cuando utilice un colector de recorte, mueva el control a la posición de RÁPIDO.
- Para una carga máxima de la batería y un motor más frío, mueva el control a la posición de RÁPIDO.
- Para transportarse y para arrastrar aditamentos, mueva el control a la posición de LENTO.

NOTA: No cambie la configuración del regulador para aumentar o disminuir la velocidad del motor. El regulador está ajustado de fábrica para un máximo rendimiento del motor y no debe ser modificado.

Indicador de Nivel de llenado de césped

Este indicador fue diseñado para aumentar la comodidad de su podadora montable. Mientras la podadora esté en marcha, el aire pasará a través de la tolva de descarga hacia el colector de césped. Si el colector de césped está vacío, el aire fluye fácilmente empujando la bola hacia arriba. Si el colector de césped está lleno, el aire no fluye dejando caer la bola. Así que cuando ve que la bola en el indicador de nivel de llenado del colector de césped se cae, debe detener la podadora y vaciar la bolsa.



Nivel de llenado
Indicador

Modelo de motor

Modelo de un sólo cilindro, cabezal en L, enfriado por aire. Este es un motor de baja emisión.

NOTA: En el estado de California, los motores de la serie 190000 cubiertos en este manual está certificados por la Mesa de Recursos Ambientales de California que cumplen con los estándares de emisión para 125 horas. Dicha certificación no otorga al comprador, propietario u operador de este motor, ninguna garantía adicional con respecto al rendimiento o vida útil de este motor. Este motor esta garantizado únicamente de acuerdo con las garantías de producto y de motor indicadas en la sección correspondiente en este manual.

Diámetro 3 pulg. (76.20 mm)

Carrera 2-3/4 pulg. (69.85 mm)

Desplazamiento 19.44 pulg. cub. (318.5 cc)

IMPORTANTE: Para una operación práctica, la carga no deberá exceder el 85% del caballaje especificado. La potencia del motor se reducirá 3-1/2% por cada 1,000 pies (300 metros) sobre el nivel del mar y 1% por cada

10 F (5.6 C) sobre 77 F (25 C). El motor operará satisfactoriamente en un ángulo de hasta 15 grados.

Especificaciones de ajuste para afinación

Calibración de armadura 0.010 – 0.014 pulg. (0.25 – 0.36 mm)

Calibración de bujías 0.030 pulg. (0.76 mm)

Espacio libre de válvulas con los resortes de válvula instalados y el pistón de 1/4 de pulg (6 mm) adelantado del centro muerto (verifique con el motor frío).

Admisión .005 – .007 pulg. (.13 – .18 mm)

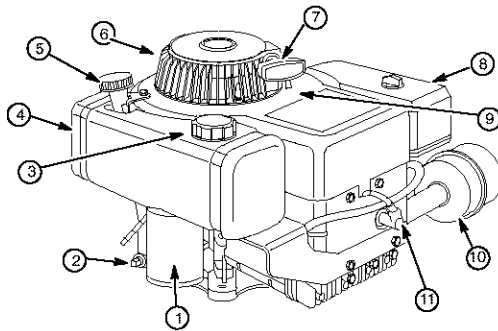
Emisión .007 – .009 pulg. (.18 – .23 mm)

Símbolos usados en el motor

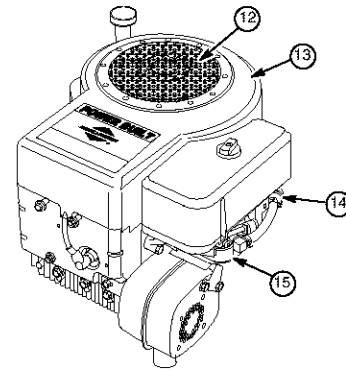
Mensaje	Símbolo
Alerta de seguridad	
Encendido-Apagado	
Lea el manual del propietario	
Aceite	
Corte de combustible	
Obturación	
Combustible	
Paro	

Para conocer los significados de los símbolos de peligro, consulte la página 41.

Controles del motor:



1. Arrancador eléctrico de 12V
2. Tapón ara drenado de aceite
3. Combustible
4. Tanque de combustible
5. Varilla de aceite
6. Cubierta
7. Manija
8. Filtro de aire



9. Motor
10. Silenciador, Cubierta del silenciador (si está equipada)
11. Cable de la bujía de encendido
12. Filtro giratorio
13. Ventilador
14. Filtro de gasolina
15. Carburador

Figura 7

Uso del Freno de mano:

Para enganchar

1. Presione completamente el pedal de frenos y detenga la unidad.
2. Con su pie derecho en el pedal de frenos, mueva la palanca de cambios a la posición neutral.
3. Mantenga el pedal de frenos presionado con su pie derecho, jale la perilla del freno de mano. Asegúrese de que el freno de mano aguanta la unidad.
4. Suelte el pedal de freno. Detenga el motor y retire la llave. Ahora su podadora ya está estacionaria.

Para soltarlo

5. Presione el pedal de freno. El freno de mano se desenganchará automáticamente.

Antes de encender

Llenado de aceite

Asegúrese siempre de que el aceite en el motor es adecuado antes de arrancar el motor. (Capacidad de aceite: 36 oz./1.1 litros)

1. Coloque la podadora a nivel del piso y abra el cofre para acceder al motor.

NOTA: No levante el cofre por las dos aberturas de ventilación detrás del asiento.

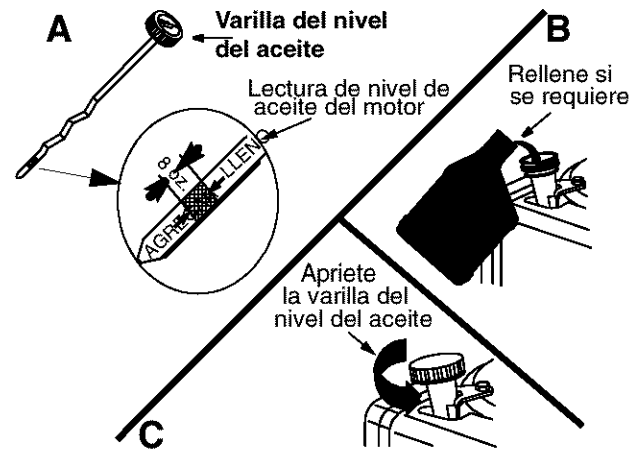


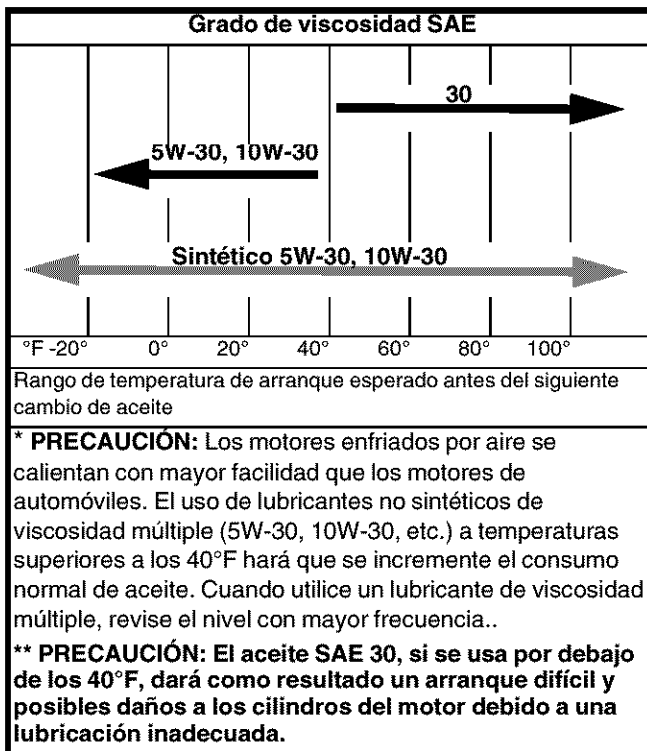
Figura 8

2. Saque la varilla de nivel y límpiela con un trapo.
3. Vuelva a colocar la varilla y apriétela. Vuelva a sacar la varilla y revise la marca de nivel de aceite en ella. El nivel de aceite debe estar en la línea FULL (LLENO) en la varilla. Vea Figura 8A. Si el nivel está por debajo de eso, agregue aceite lentamente. Vuelva a revisar el nivel con la varilla. Si se requiere, agregue más aceite. Vea Figura 8B. Tenga cuidado de no llenar en exceso.

NOTA: Su podadora montable se envía sin gasolina ni aceite en el motor.

4. Coloque la varilla en su posición y apriete para asegurarla. Vea Figura 8C.

Tipo de aceite



1. Consulte la tabla anterior para conocer el grado apropiado de aceite.
2. Use un aceite detergente de alta calidad clasificado "Para servicio SF, SG, Sh, SJ" o superior.
3. No use aditivos especiales.

NOTA: El aceite sintético que cumple con la certificación ILSAC GF-2, API y con el símbolo API de servicio con "Conservación de energía SJ/CF" o superior es un lubricante aceptable a cualquier temperatura. **El uso de aceite sintético no modifica los intervalos de cambio de aceite.**

Batería

Normalmente la batería está cargada y lista para usarse, así que no tendrá que cargarla antes de arrancar. Sin embargo, si la batería se usa por primera vez después de la fecha mostrada en el costado de la misma batería, tendrá que cargarla mínimo por una hora a 4-6 amperes.

La batería se localiza bajo el cofre sobre la llanta trasera izquierda. Consulte Figura 3 .

Llenado de combustible



ADVERTENCIA: Llene el tanque de combustible en espacios abiertos bien ventilados, lejos de chispas, llamas, pilotos u otras fuentes de calor o encendido.

NOTA: En una podadora montable que ya ha sido arrancada y/o operada una vez inmediatamente antes del llenado de combustible, apague el motor y déjelo

enfriar al menos dos minutos antes de quitar el tapón de llenado de combustible.

1. Retire el tapón de llenado y llene el tanque hasta aproximadamente 1.5 pulgadas por debajo del cuello para permitir la expansión del combustible. Tenga cuidado de no llenar en exceso.
2. Vuelva a colocar el tapón en el tanque y apriete.

NOTA: Si derrama combustible en el motor o en el vehículo, espere a que se evapore antes de arrancar el motor.

Tipo de combustible

- Use gasolina limpia, fresca, regular, sin plomo con un octanaje mínimo de 77.
- No use gasolina mezclada con metanol, ni gasolina que haya estado almacenada por más de 30 días. Siempre compre únicamente el combustible en la cantidad que podría utilizar en un plazo de hasta 30 días. El combustible fresco impide que se acumulen residuos en el sistema de combustible o en el carburador.
- No mezcle la gasolina con aceite de motor.

NOTA: Algunos combustibles, llamados gasolina oxigenada o reformulada están mezclados con alcohol o éter. Usar estas mezclas frecuentemente puede dañar el sistema de combustible o afectar el rendimiento. Si se afecta el rendimiento del motor, use gasolina con un menor porcentaje de alcohol o éter.

Encendido del motor

1. Conecte el cable de la bujía a la misma.
2. Presione el pedal de freno con su pie derecho.
3. Coloque el control de estrangulador/obturador en la posición de CHOKE (Obturación) hasta adelante.
4. Coloque la palanca de cambios en posición NEUTRAL.
5. Gire la llave de encendido a la posición de START (arranque). Una vez que arranque el motor, deje que la llave regrese a la posición ON (encendido).
6. Mueva el control de estrangulador/obturador para sacarlo de la posición CHOKE hasta la posición FAST (rápido).

Operación de la podadora montable

1. Presione el pedal de freno para que se desenganche el freno de mano.
2. Coloque la palanca de cambio en la posición de avance al Frente o en Reversa, según lo desee. **Mire hacia atrás mientras retrocede.**
3. Suelte el pedal de freno.
4. Presione el pedal de avance.
5. Para detenerse, suelte completamente el pedal de avance y oprima el pedal de freno.

- Presione el pedal de enganche de las cuchillas hasta que comiencen a girar. Las cuchillas pueden activarse con la podadora en movimiento o detenida.



ADVERTENCIA: Cuando se enganchen las cuchillas, mantenga los pies y manos lejos de la abertura de descarga, las cuchillas y cualquier parte de la cubierta.

NOTA: Su podadora montable está equipada con un seguro de la cuchilla para mantenerla enganchada sin que el operador deba mantener el pedal presionado constantemente. Vea Figura 6.

- Para activar el seguro de la cuchilla:** Al tiempo que presiona el pedal de la cuchilla, empuje el seguro de bloqueo de la cuchilla con su talón. Deberá trabarse en la posición de “cuchilla enganchada”. Para desactivar el seguro de la cuchilla, presione el pedal de la cuchilla y suelte el seguro.

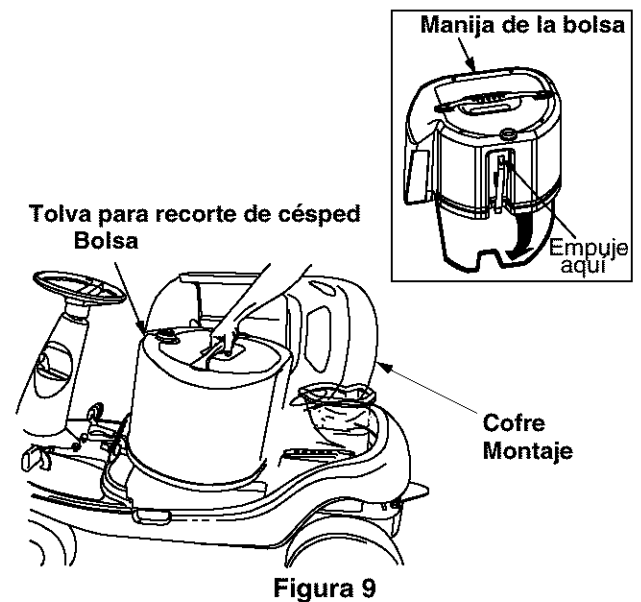
Detención de la podadora

Consulte las instrucciones detalladas en la página 54.

NOTA: No deje la llave en la posición ON cuando no está operando la podadora. Si lo hace se descargará completamente la batería.

Para vaciar el colector de recorte de césped

- Detenga la podadora completamente, coloque el freno de mano y quite la llave del encendido. Salga del asiento del operador.
- Abra el cofre. Jale hacia arriba la bolsa de recorte por la manija y llévela al sitio apropiado para desecho. Vea Figura 9.
- Sostenga la bolsa alejada de su cuerpo. Empuje la palanca de la bolsa y deje que la sección inferior de la bolsa caiga. Los recortes de césped caerán por el fondo. Vea Figura 9.
- Golpee suavemente la bolsa contra el piso de modo que las tres patas de la bolsa presionen contra el piso. La palanca de la bolsa debe cerrarse cuando usted presiona la bolsa hacia abajo.
- Vuelva a colocar la bolsa en la podadora asegurándose de que se asiente en el borde en la parte superior de la tolva de descarga. Cierre el cofre.

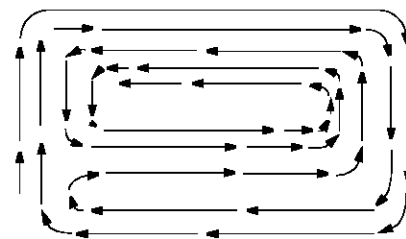


Uso de la podadora montable

Obedezca las reglas de seguridad listadas en las páginas 3-5 de este manual para operar en forma segura su podadora montable.

- Antes de podar, asegúrese de que la cubierta de corte esté nivelada. Para conocer la manera de ajustar la cubierta, consulte la página 61.
- Puede enganchar la cuchilla presionando el pedal de la cuchilla con su pie izquierdo mientras está en la posición del operador.
- Cuando pade un área por primera vez, tenga cuidado con los objetos en el césped. Si golpea un objeto extraño, detenga el motor. Retire el cable de la bujía, inspeccione la podadora para ver que no tenga daños y repare cualquier daño antes de reiniciar la operación. Repare el daño antes de arrancar y operar.
- Evite maltratar el césped ajustando la altura de corte y/o afilando las cuchillas.
- Pode con el regulador al máximo. Conozca el terreno en el que está podando. Para mejores resultados, pode cuando el pasto está seco.

El patrón de corte recomendado se indica a continuación:



- Pode el césped frecuentemente y a intervalos regulares de modo que solamente corte 1/3 de la altura de la cuchilla en una sola pasada.

- Para vaciar la bolsa colectora, **detenga la podadora montable por completo**, aplique el freno de mano y apague el motor. Esto impedirá que el gas caliente del escape queme el césped.
- En muchas comunidades ya no se recogen los recortes de césped para desecharlos en rellenos. Una solución viable es la de usar como composta para abono los recortes de su propio césped. Para esto tendrá que vaciar la bolsa colectora en el sitio designado para la elaboración de composta.

Abonadora

- Su podadora montable está equipada con un adaptador para usar el recorte como abono y reciclarlo en el mismo césped en vez de recolectarlo en una bolsa.
- Para mejores resultados, poda cuando el pasto está seco. Si corta el césped húmedo podría dañar la parte inferior de la cubierta porque el césped húmedo tiende a adherirse a esta. Limpie la cubierta si poda césped húmedo.
- Para un abono efectivo, traslape las trayectorias para que los recortes se distribuyan uniformemente.

SERVICIO Y AJUSTE

Ajustes



ADVERTENCIA: Bajo ninguna circunstancia realice ningún tipo de ajuste a la unidad sin detener el motor y desconectar el cable de la bujía con anterioridad.

Pedal del freno

Durante la operación normal de la podadora, el freno está sujeto a desgaste. Revise el freno periódicamente realizando la siguiente prueba:

1. Suelte el freno de mano y coloque la podadora en neutral. Presione el pedal de freno y trate de rodar la podadora. El tractor no deberá moverse. Si el tractor se mueve, ajuste el freno.



ADVERTENCIA: No ajuste el freno con el motor en marcha. Asegúrese de calzar las ruedas de la podadora antes de hacer cualquier ajuste al cable de frenos.

El ajuste en el pedal de freno se hace en el extremo del cable. Vea Figura 10 .

2. Aplique el freno de mano y apague el motor.
3. Coloque el nivel de altura de corte en la posición más baja.
4. Abra el cofre y retire la bolsa recolectora y la tolva de descarga y/o el adaptador para abono de la podadora.
5. Desconecte el cable de la bujía.
6. Localice el cable de frenos del lado derecho bajo el alojamiento delantero. Vea Figura 10 .
7. Use un par de llaves de 1/2" para aflojar las tuercas de cierre y ajustar el cable, haciéndolo para atrás para apretarlo o hacia adentro para aflojarlo. Vea Figura 10 .

8. Vuelva a apretar las tuercas de cierre cuando consiga la tensión apropiada.
9. Quite el freno de mano y repita la prueba descrita anteriormente. Vuelva a ajustar en caso necesario.

Pedal de avance:

El ajuste en el pedal de avance se hace en el extremo del cable. Ver Figura 10 .

1. Aplique el freno de mano y apague el motor.
2. Coloque el nivel de altura de corte en la posición más baja.
3. Abra el cofre y retire la bolsa recolectora y la tolva de descarga y/o el adaptador para abono de la podadora.
4. Desconecte el cable de la bujía.
5. Localice el cable de control de velocidad bajo el alojamiento delantero. Ver Figura 10 .
6. Afloje las tuercas de cierre y ajuste el cable, haciéndolo para atrás para apretarlo o hacia adentro para aflojarlo, como se muestra.
7. Vuelva a apretar las tuercas de cierre cuando consiga la tensión apropiada.
8. Vuelva a conectar el cable de la bujía y cierre el cofre.

Altura del corte

La palanca de nivelación de la altura de corte se localiza en el cofre. Para una representación de las posiciones de la altura de corte, consulte Figura 6.

1. Saque el nivelador de la ranura y deslícelo hacia arriba o abajo a la altura de corte deseada.
2. Baje la altura de corte para cortar más cerca de la tierra.
3. Eleve la altura de la cubierta a su posición más alta cuando vaya por una banqueta o camino.
4. Para cortar césped crecido o grueso, mueva la palanca de ajuste de altura de corte a la posición más alta y corte. Luego mueva la palanca a una posición más baja y vuelva a podar.

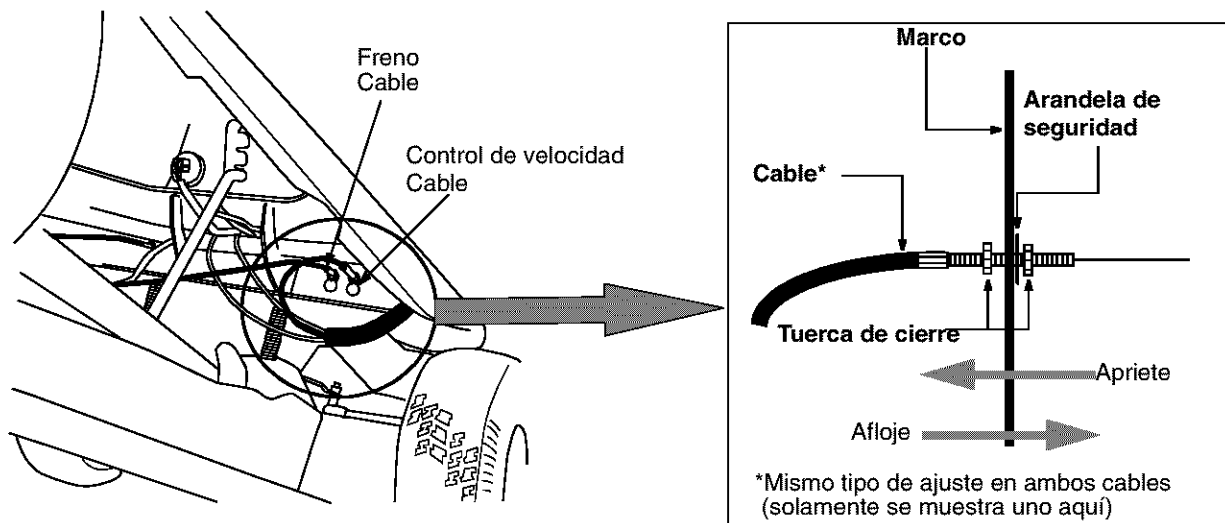


Figura 10

Posición del asiento

Puede ajustar la posición del asiento de su podadora montable para máxima comodidad del operador.

1. Detenga completamente la podadora y aplique el freno de mano. Apague el motor.
2. Abra el cofre.
3. Afloje los cuatro tornillos en el fondo del asiento.
4. Deslice el asiento hacia adelante o atrás en la ranura y coloque como lo desea. Vuelva a apretar los cuatro tornillos.

Freno de la cuchilla/corte de energía

El pedal de enganche de la cuchilla debe ajustarse de modo que si lo presiona aproximadamente 3/4" desde el frente de la ranura, comience a enganchar la banda de la cubierta. El interruptor de corte de energía se localiza en la ranura del freno de la cuchilla del lado izquierdo del marco superior. Ver Figura 11. El pedal de frenos necesita hacer contacto con el interruptor de corte de energía para que el motor arranque.

Bajo condiciones normales de operación, el pedal de enganche de la cuchilla no requiere ajustes frecuentes. Sin embargo, realice la siguiente prueba periódicamente y asegúrese que funciona perfectamente.

1. Abra el cofre y revise si hay suficiente juego en el cable de enganche de la cubierta.
2. Presione el pedal de enganche de la cuchilla (aprox. 3/4") y revise si la banda se engancha.
3. Si el cable está muy apretado o muy flojo o la banda no se engancha, ajuste el cable.

NOTA: El cable de enganche de la cubierta estará correctamente ajustado cuando el cable se mueva aproximadamente 1/2" fuera de la línea del centro en ambas direcciones.

El ajuste en el pedal de freno de la cuchilla se hace en el extremo del cable. Ver Figura 11.

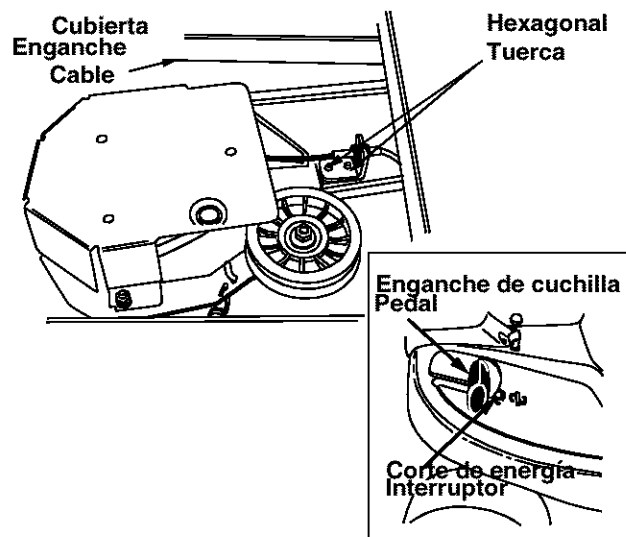


Figura 11

1. Si la banda se patina cuando presiona el pedal de enganche de la cuchilla aproximadamente 3/4", afloje las dos tuercas hexagonales en el cable. Ver Figura 11.
2. Si la banda se engancha antes de que el pedal de enganche de la cuchilla esté a 3/4" del interruptor de corte de energía, apriete las dos tuercas hexagonales en el cable. Ver Figura 11.
3. Repita la prueba de enganche de la cuchilla y vuelva a ajustar en caso necesario.
4. Cierre el cofre.

Alineación de las ruedas

Las ruedas delanteras deben tener una convergencia de 1/16-5/16 pulgada. Para ajustar la convergencia, siga estos pasos:

1. Retire la tuerca hex de 3/8" y la arandela que sostiene la rótula al segmento de la dirección. Ver Figura 12.

- Ajuste la rótula hacia adentro o afuera hasta que la convergencia sea aproximadamente 1/16-5/16" (Dimensión "B" debe ser aproximadamente 1/16-5/16" menor que la dimensión "A"). Ver Figura 12.
- Vuelva a colocar la rótula en el segmento de la dirección y vuelva a colocar la tuerca hex 3/8" y la arandela.

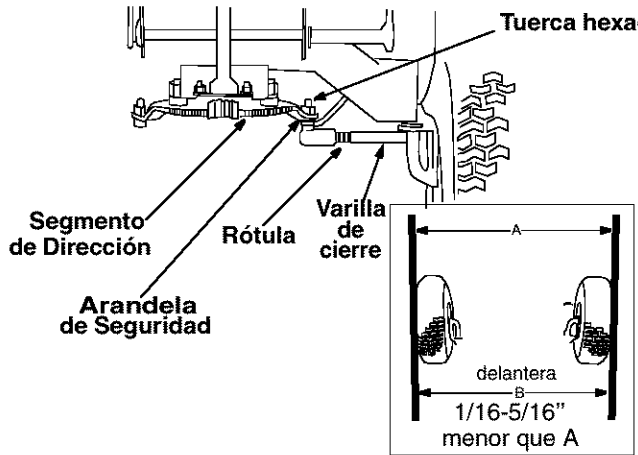


Figura 12

Ajuste de la cubierta

Hay tres pruebas para verificar la nivelación de la cubierta en la podadora. Los resultados de cada prueba determinarán que tipo de nivelación requiere el equipo.

IMPORTANTE: Haga los ajustes de la cubierta en una superficie plana y nivelada. Antes de continuar con el ajuste de cubierta, revise la presión de aire de las cuatro llantas. La presión de aire recomendada es de 12 PSI. Por favor note que las válvulas de inflado en esta podadora están por dentro en las llantas delanteras y por el exterior en las llantas traseras.

Prueba 1. Revisión del ajuste de altura en la parte posterior de la cubierta

- Levante el cofre y quite el recolector de césped de la podadora. Coloque la cubierta en la posición más elevada.
- Revise la parte posterior de la cubierta. Si la cubierta hace contacto con la ménsula del cable al frente de la transmisión, tendrá que ajustar la altura posterior de la cubierta.

Prueba 2. Revisión del nivel comparativo delantero-posterior

- Coloque la cubierta en la posición más elevada.
- Usando un par de guantes para trabajo pesado, haga girar la cuchilla de modo que el frente apunte hacia atrás y paralelo a la montura. Presione y bloquee el pedal de enganche de la cubierta.
- Mida la distancia desde las puntas delantera y trasera de la cuchilla al piso, el frente debe estar aproximadamente 1/4" a 3/8" más bajo que la parte posterior.

- Si la distancia es mayor, nivele el frente de la cubierta.

Prueba 3. Revisión del nivel comparativo lado a lado

- Coloque la cubierta en la posición más elevada.
- Usando un par de guantes para trabajo pesado, haga girar la cuchilla de modo que apunte de lado a lado y perpendicular a la montura. Presione y bloquee el pedal de enganche de la cubierta.
- Mida la distancia de las puntas de la cuchilla al piso.
- Si las distancias son diferentes, nivele la cubierta en ambos lados.

Ajuste de altura en la parte posterior de la cubierta

- Afloje completamente pero no quite la tuerca hexagonal más alta de las tres que sostienen el perno y la férula en el gancho de la cubierta. Ver Figura 13.

IMPORTANTE: No trate de aflojar/apretar la tuerca más inferior.

- Apriete la tuerca del medio tanto como se pueda.
- Localice los enlaces inferiores en la parte posterior de la cubierta. Trabaje un solo lado a la vez, desconecte los resortes de ayuda.
- Retire cada enlace inferior quitando el par de pasadores y arandelas.
- Vuelva a unir los enlaces inferiores como se muestra en Figura 13.

Nivelación delantero-posterior

- Coloque la cubierta en la posición más elevada.
- Usando un par de guantes para trabajo pesado, haga girar la cuchilla de modo que el frente apunte hacia atrás y paralelo a la montura. Presione y bloquee el pedal de enganche de la cubierta.
- Afloje completamente pero no quite la tuerca hexagonal más alta de las tres que sostienen el perno y la férula en el gancho de la cubierta. Ver Figura 13.

IMPORTANTE: No trate de aflojar/apretar la tuerca más inferior.

- Apriete la tuerca del medio tanto como se pueda.
- Mantenga un número igual de vueltas de rosca arriba de cada una de las tuercas, apriete la tuerca superior hasta que el frente de la cuchilla esté 1/4" a 3/8" más abajo que la punta posterior de la cuchilla. Note que al apretar esta tuerca se elevará el frente de la cubierta.
- Apriete la tuerca del medio contra la base de la férula. Ver Figura 13.
- Apriete la tuerca superior contra la parte superior de la férula para ajustar el seguro.

Nivelación lado a lado

- Coloque la cubierta en la posición más elevada.

- Usando un par de guantes para trabajo pesado, haga girar la cuchilla de modo que apunte de lado a lado y perpendicular a la montura. Presione y bloquee el pedal de enganche de la cubierta.
- Afloje la tuerca hexagonal del medio.
- Enrosque hacia arriba o hacia abajo la tuerca superior para colocar ambas puntas de la cuchilla a

la misma altura desde el piso. Recuerde enroscar para abajo para elevar la cubierta y enroscar para arriba para bajar la cubierta.

- Una vez que la cubierta esté nivelada, enrosque la tuerca del medio para apretar contra la férula. Asegúrese que el corte sea uniforme y que la palanca se mueva en todas las alturas de corte.

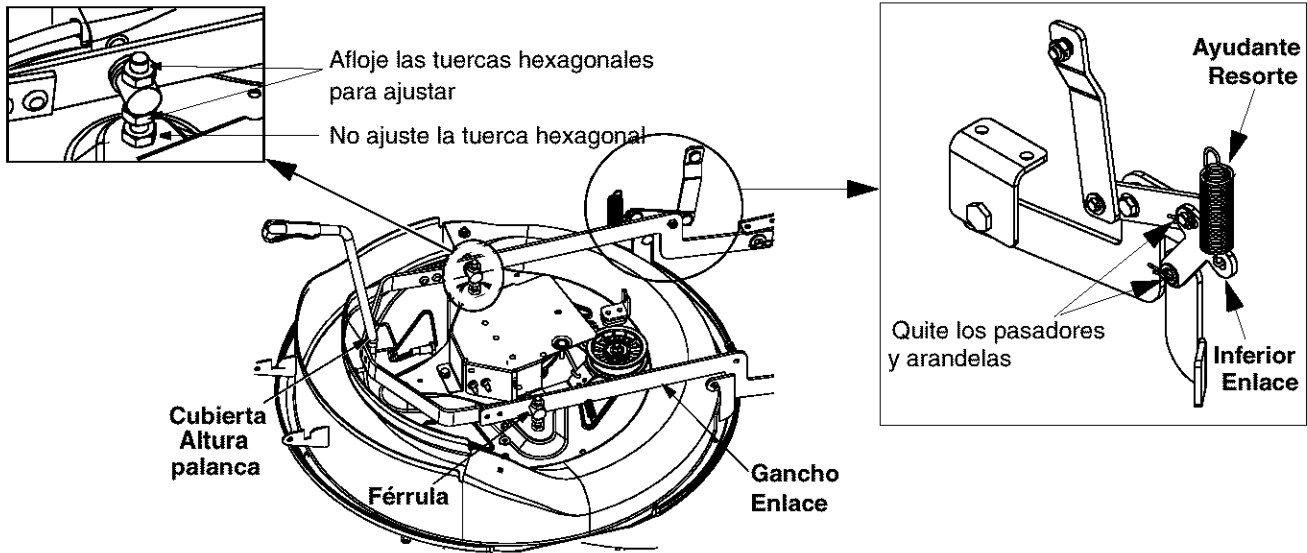


Figura 13

Ajuste del carburador

Las diferencias en combustible, temperatura, altitud o carga puede requerir pequeños ajustes al carburador. El carburador en este motor está equipado con una válvula mezcladora con un limitador que permite hacer algunos ajustes y un tornillo de ajuste de velocidad al vacío. Recuerde que el filtro de aire y su cubierta deben estar unidos al carburador antes de volver a arrancar el motor. Consulte los detalles en la página 67.

NOTA: Los motores, operados a aproximadamente 3000 a 5000 pies sobre el nivel del mar, podrían requerir una espesa de carburador para gran altura. Si su podadora montable se comporta erráticamente, contacte a su centro de servicio Sears para obtener la boquilla correcta.

Para ajustar el carburador, siga estos pasos:

- Arranque el motor y déjelo en marcha al menos 5 minutos para calentarlo.
- Con el motor en marcha, coloque el control del estrangulador en la posición SLOW (lenta).
- Gire la mariposa del carburador contra el tornillo de velocidad al vacío y manténgalo así. Ver Figura 14. Gire el tornillo de velocidad para obtener 1750 RPM, usando un tacómetro para medir.

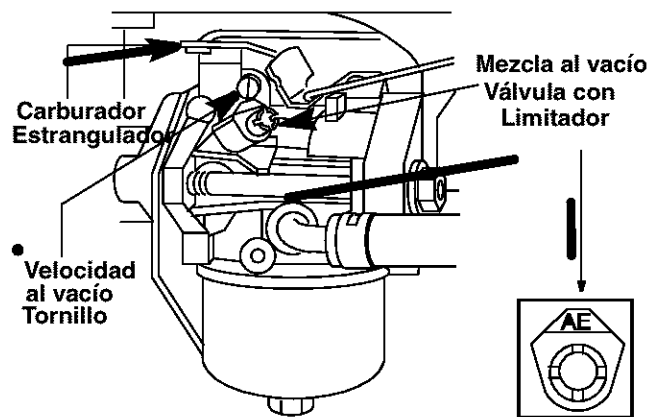


Figura 14

- Gire la válvula de mezcla al vacío completamente en sentido horario y luego en sentido contrario. NO quite los tapones de límite. NO fuerce más allá de los límites.
- Coloque la válvula de la mezcla de vacío a la mitad del recorrido.
- Mueva el control del estrangulador a la posición FAST (rápido). El motor deberá acelerarse suavemente. Si no, ajuste la válvula de mezcla en sentido contrario al reloj, 1/8 de vuelta.

Servicio a la podadora montable

Cambio de fusible

El fusible se localiza junto a la bujía bajo el marco posterior. Los fusibles rara vez fallan sin razón. Si el fusible se quema, debe corregir el problema que lo ocasionó o el nuevo fusible también se quemará.

1. Revise si hay conexiones sueltas en el soporte del fusible y reemplace el soporte en caso necesario. Un corto en los circuitos de marcha o de carga en donde el aislamiento puede haberse desgastado y dejar expuesto un cable.
2. Reemplace el cable o repare con cinta aislante si no se han dañado los hilos del cable. Busque también un cable prensado entre los paneles de carrocería, quemado por el escape o silenciados, o desgastado por el roce contra una parte en movimiento.
3. Detenga completamente la podadora y aplique el freno de mano. Retire la llave del encendido.
4. Abra el cofre. Desconecte el cable de la bujía y póngalo de manera que haga masa contra el motor.
5. Saque el fusible de la terminal.
6. Reemplace con un nuevo fusible automotriz.
7. Vuelva a conectar el cable de la bujía antes de cerrar el cofre.

Cambio de banda

Hay dos bandas de transmisión y una banda de la cubierta en esta unidad. Guíese con la descripción a continuación para identificar las bandas.

- **La banda de transmisión inferior** va de la polea de velocidad variable a la polea de transmisión.
- **La banda de transmisión superior** va de la polea de velocidad variable a la polea superior del motor.
- **La banda de la cubierta** va de la polea de la cubierta a la polea inferior del motor.

Revise periódicamente si las bandas están demasiado flojas o dañadas. En este caso, reemplace con una nueva banda.

Banda de la cubierta

1. Aplique el freno de mano y apague el motor. Levante el cofre y quite el recolector de césped de la podadora. Retire el cable de la bujía.
2. Coloque la cubierta a la mínima altura de corte, ajustando la palanca en la posición más baja

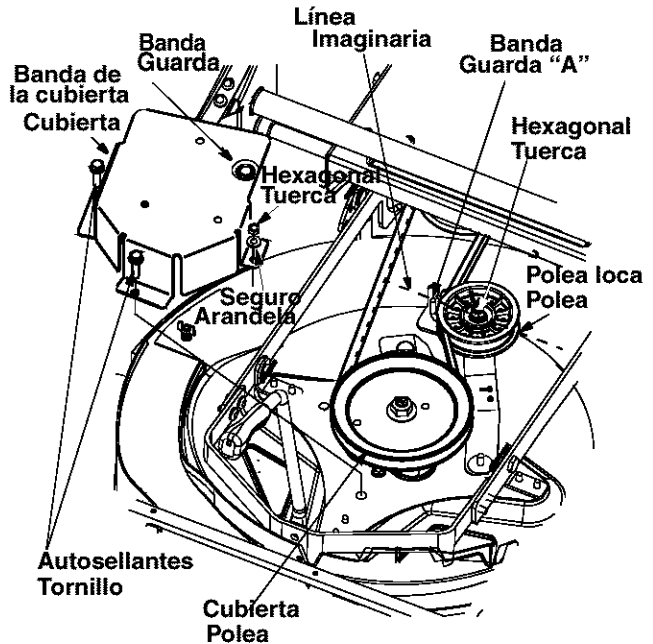


Figura 15

3. Use una llave de 1/2" para retirar los dos tornillos autoroscantes, la arandela de cierre y la tuerca hexagonal que sostiene la cubierta. Vea Figura 15 para ello, tendrá que trabajar por el lado izquierdo superior de la podadora. Retire la cubierta de la banda.
4. Use una llave de 9/16" para aflojar la tuerca hexagonal en la polea loca. Ver Figura 15.
5. Retire la banda de alrededor de la polea de la cubierta, la polea loca y la polea del motor.
6. Coloque la nueva banda alrededor de la polea de la cubierta y la polea del motor asegurándose de que la banda entre en la canal de la banda. Hay dos guardas de la banda bajo el recolector de césped, uno en la polea loca y otro bajo la cubierta de la banda. Ver Figura 15.
7. Reinstale la cubierta de la banda y sujétela con dos tornillos autoroscantes, arandela y tuerca hexagonal.

NOTA: La guarda "A" de la banda debe montarse en el exterior de la banda.

8. Asegúrese de alinear la guarda de la banda con el marco. Ver Figura 16.

NOTA: Una línea imaginaria entre la guarda de la banda y la polea loca deberá ser paralela al marco. Ver Figura 15.

9. Vuelva a colocar el recolector de césped y cierre el cofre.

Banda inferior de velocidad variable

1. Retire la guarda de la banda de la cubierta trasera siguiendo los cinco primeros pasos para retirar la banda de cubierta. Retire la banda de la polea del motor.

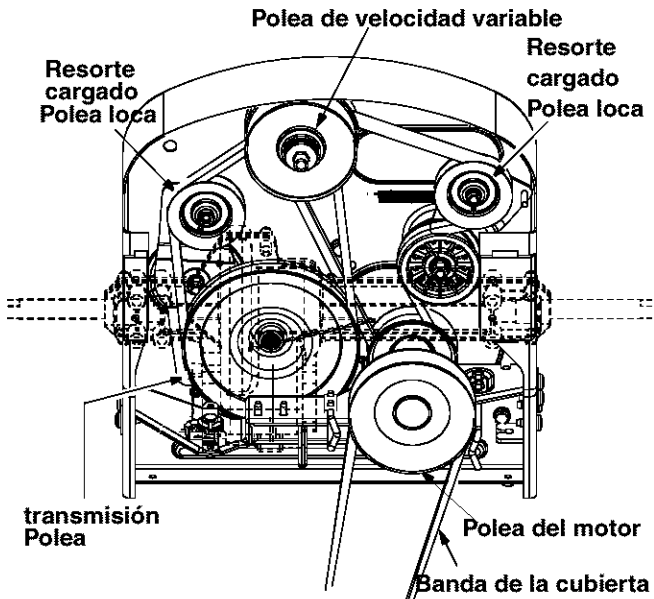


Figura 16

2. Empuje el resorte cargado localizado del lado izquierdo de la transmisión, hacia la derecha. Retire la banda de alrededor de la polea loca y la polea de la transmisión. Ver Figura 16 .
3. Use una llave de 9/16" para retirar el perno, el espaciador y la arandela plana de la polea de velocidad variable.
4. Haga descender la polea y quite la banda.
5. Coloque una nueva banda y vuelva a armar.

IMPORTANTE: Asegúrese que la banda esté **enrutada al interior de la guarda de la banda**, y que la guarda de la banda quede en el mismo lugar de donde fue quitada.

Banda superior de velocidad variable

1. Saque la polea del motor usando una llave de 5/8" con una extensión de 6". La polea del motor se localiza al frente de la transmisión.
2. Haga descender la polea del motor y quite la banda de su alrededor.

3. Empuje la ménsula a la derecha y saque la banda. Ver Figura 16 .
4. Coloque una nueva banda y vuelva a armar.

Batería

La batería se localiza bajo el cofre. La terminal positiva de la batería está marcada como Pos (+). La terminal negativa de la batería está marcada como Neg (-).



ADVERTENCIA: Los postes de la batería, terminales y accesorios contienen plomo y compuestos de plomo. Lávese las manos después de entrar en contacto con estos componentes.

- Siempre mantenga limpios los cables y terminales de la batería y libres de óxido.
- Después de limpiar, aplique una capa de vaselina o grasa a ambas terminales.
- Siempre mantenga los capuchones de goma colocados sobre la terminal positiva para prevenir un corto.
- Si quita la batería por cualquier razón, desconecte primero el cable NEGATIVO (negro) de su terminal y a continuación el cable POSITIVO (rojo). Cuando instale la batería, conecte primero el cable POSITIVO (rojo) a su terminal y a continuación el cable NEGATIVO (negro).

IMPORTANTE: Asegúrese de que los cables estén conectados en las terminales correctas ya que si los cambia se podría invertir la polaridad y provocar un daño al sistema alternador del motor.

- Revise el nivel de líquido en cada celda de la batería al menos cada dos semanas y antes y después de cargarla. Mantenga siempre un nivel justo debajo de los arillos de separación.
- Agregue únicamente agua destilada. Nunca agregue otros químicos a la batería después de la activación inicial.

NOTA: Si ha operado la podadora montable por un largo período, revise el nivel de líquido de la batería ya que podría sobrecalentarse y disminuirse la cantidad.

Conexión de los cables de la batería

Para reconectar los cables de la batería, si la desconectó por alguna razón, siga las instrucciones en la página 51.

MANTENIMIENTO

Recomendaciones en general



ADVERTENCIA: Siempre detenga el motor y desconecte la bujía antes de limpiar o de hacer algún tipo de mantenimiento o ajustes. Mantenga siempre la seguridad y siga las instrucciones dadas a continuación para completar la tarea.

- La garantía de esta podadora montable no cubre elementos que han estado sujetos al mal uso o negligencia del operador. Para recibir el reembolso total de la garantía, el operador deberá dar mantenimiento a la podadora como se indica en este manual. Consulte el calendario de mantenimiento.
- No recomendamos el uso de una limpiadora a presión o manguera de jardín para limpiar su unidad. Pueden producir daños a los componentes eléctricos, engranajes, poleas, rodamientos o al motor. El uso de agua acortará la vida de su podador a montable y reducirá la posibilidad de reparaciones.

Calendario de mantenimiento

	Primeras 5 horas	25 horas	50 horas	100 horas	Cada estación	Rearmado
Controle la hoja de la cortadora			✓			✓
Lubricación de juntas, flecha de dirección, engranaje					✓	
Lubricación de enlace de cubierta, ruedas delanteras					✓	
Cambio del aceite del motor	✓		✓			
Servicio al filtro de aire del motor		✓				
Servicio a la bujía				✓	✓	
Revisión del líquido de batería		✓				

Cuidado de la cuchilla



ADVERTENCIA: proteja sus manos usando guantes para trabajo pesado o usando una estopa para sujetar la cuchilla. Evite lesiones personales.



ADVERTENCIA: Si la hoja está desequilibrada producirá una vibración excesiva cuando gire a alta velocidad y puede dañar la unidad y podría romperse, causando lesiones personales.

Retiro

1. Quite la tuerca de brida hexagonal de 5/8" que sostiene la cuchilla al mecanismo.
2. Saque la cuchilla de su mecanismo. Ver Figura 17.

Afilado

1. Cuando afile la hoja, siga el ángulo original de giro como guía. Es de suma importancia que cada extremo de corte sea desbastado **de igual manera** para evitar que la hoja quede desequilibrada.
2. Se puede probar la hoja balanceándola sobre un destornillador o clavo. Saque el metal del lado pesado hasta que quede bien balanceada.

Rearmado

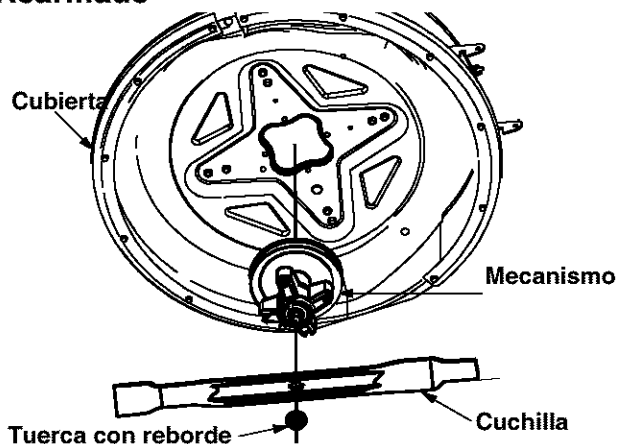


Figura 17

1. Antes de reinstalar la cuchilla en la unidad, lubrique el mecanismo adaptador de la cuchilla usando aceite ligero o aceite para motor.
2. Alinee la "estrella" en la nueva cuchilla con la "estrella" en el mecanismo.
3. Instale la cuchilla con el lado marcado "Bottom" (inferior) o con el número de parte hacia el piso cuando la podadora está en posición de operación.
4. Ajuste la tuerca con reborde.

Apriete de montaje de la cuchilla **70/90 pies-lbs.** máximo.

NOTA: Para garantizar una operación segura, todas los pernos y tuercas deben revisarse periódicamente para corregir el apriete.

Lubricación

Vea en Figura 18 una ilustración de los puntos de lubricación que se describen a continuación.

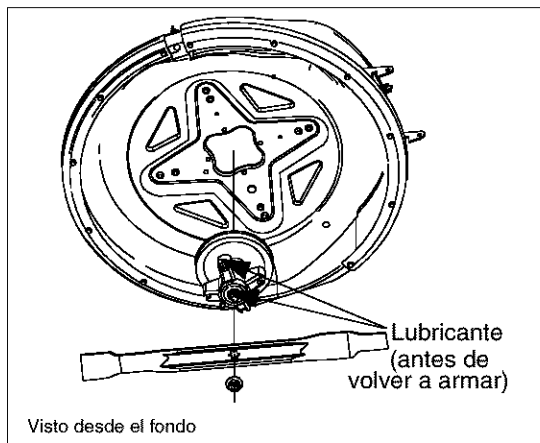
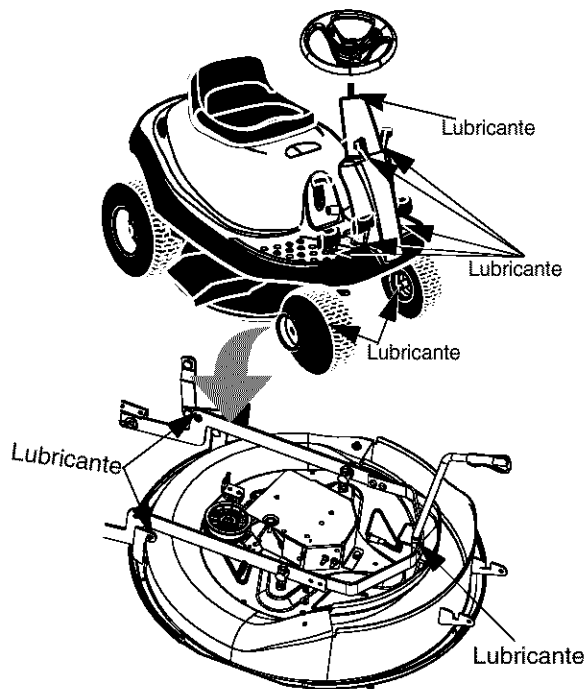


Figura 18: Tabla de lubricación

- **Montaje de la cuchilla:** Lubrique el mecanismo de la cuchilla y de la cubierta solamente mientras reinstala la cuchilla después de afilarla o cambiarla.
- **Puntos de junta:** Lubrique los puntos de junta con aceite liviano una vez por temporada.
- **Flecha y engranaje de dirección:** Lubrique la flecha de dirección y la canal con aceite liviano una vez por temporada.
- Lubrique la dentadura de los engranajes externos de la dirección con grasa multiusos al menos cada 25 horas de operación o una vez en cada temporada.
- **Enlaces:** Lubrique todos los enlaces de la cubierta y los del ajuste de altura con aceite liviano.
- **Ruedas delanteras:** Lubrique las ruedas delanteras al menos una vez por temporada con grasa automotriz multiusos.

Motor



ADVERTENCIA: Antes de realizar cualquier mantenimiento en el motor, desconecte la bujía y la batería para impedir el arranque accidental o que se produzca una chispa.

- Cambie el aceite del motor después de las primeras cinco a ocho horas de uso y luego cada 50 horas o cada temporada, lo que ocurra primero. Cambie el aceite cada 25 horas cuando opere la podadora montable en condiciones de carga pesada o en altas temperaturas.
- El bajo rendimiento del motor y el ahogamiento normalmente son indicaciones de que el filtro de aire necesita mantenimiento. Limpie el pre-filtro y el cartucho del filtro de aire cada 25 horas de uso o una vez cada temporada, lo que ocurra primero. Limpie más frecuentemente cuando haya mucho polvo. Reemplace también las partes del filtro de aire si están muy sucias.
- Limpie la bujía y revise la calibración cada 100 horas de uso o una vez cada temporada, lo que ocurra primero.

Limpieza del motor

1. Limpie de inmediato el combustible o aceite derramados en el motor con un trapo limpio.
2. Limpie el lado inferior de la cubierta de la cuchilla cada vez que pode. No permita que se acumulen residuos o recortes de césped alrededor de la cuchilla ya que podrían provocar oxidación.
3. Use un cepillo o trapo para retirar el césped, suciedad o residuos de la cubierta en el motor diariamente para prevenir el sobrecalentamiento del motor. No limpie con agua a presión porque podría contaminar el sistema de combustible.
4. Mantenga el enlace del regulador, resortes y controles libres de residuos.

- Si el silenciador del motor está equipado con un filtro antichispas, retire y límpielo regularmente. Reemplácelo si está dañado o tapado con residuos. Limpie el área del escape y retire cualquier resto de césped u otras impurezas antes de hacer funcionar la unidad.

NOTA: Recomendamos que el sistema de enfriamiento por aire reciba mantenimiento en un centro de servicio autorizado cada 100 horas de uso. Igualmente, cada 100-300 horas haga que un centro de servicio autorizado retire los depósitos producto de la combustión de los cilindros, pistón y válvulas del motor.

Filtro de aire

Puede localizar el filtro de aire consultando Figura 7.

- Retire la perilla de la tapa del filtro y saque la tapa. Retire la perilla del cartucho.
- Levante con cuidado el filtro de aire, incluyendo el pre-filtro, si cuenta con él, y el cartucho desde la base sobre el perno. Ver Figura 19.

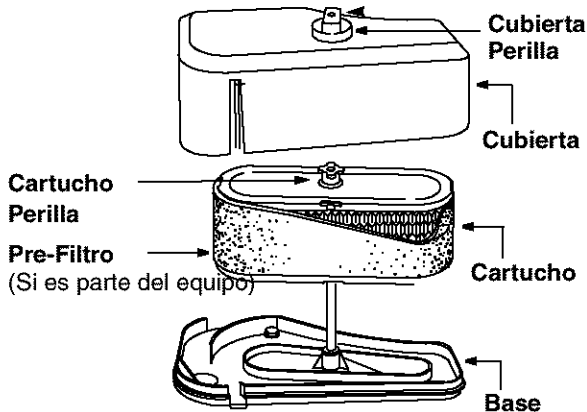


Figura 19

- Limpie la base con cuidado para evitar que las impurezas penetren al carburador.
- Para limpiar el pre-filtro sepárelo del cartucho y lávelo con detergente líquido y agua. Exprímalo sobre un trapo limpio para secarlo, remójelo en aceite para motor y sacuda el exceso en un trapo limpio.
- Vuelva a unir el pre-filtro con el cartucho. Coloque el conjunto sobre el perno asegurándose de que el filtro de aire se ajuste en la base.
- Apriete la perilla del cartucho, vuelva a colocar la tapa y apriete la perilla de la tapa.

Filtro de gasolina



ADVERTENCIA: Drene el tanque de combustible o cierre la válvula de paso de combustible antes de cambiar el filtro de gasolina. De otro modo el combustible podría derramarse produciendo un riesgo de incendio o explosión.

Su unidad está equipada con un filtro de combustible en línea. Afloje las abrazaderas y reemplace el filtro siempre que note contaminación o decoloración. Ver Figura 20. Ordene un filtro de reemplazo en el centro de servicio Sears.

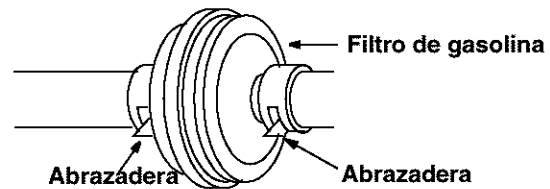


Figura 20

Bujía de encendido

- Limpie el área alrededor de la base de la bujía.
- Saque e inspeccione la bujía.
- Cambie la bujía si los electrodos están picados, quemados o la porcelana está rota. Ver Figura 21.
- Limpie la bujía y ajuste el espacio a 0.020" al menos una vez cada estación o cada 100 horas de operación. Ver Figura 21. Reemplace cuando sea necesario. Consulte el número de parte en la sección de la lista de partes.

NOTA: No lije la bujía. Las bujías pueden limpiarse tallando con cepillo de alambre y lavando con un solvente comercial.



Figura 21

Cambio de aceite

Su podadora montable tiene una manga plástica para el drenaje de aceite, empaquetado con las partes sueltas, para drenar el aceite desde el cárter.

1. Para drenar el aceite, coloque el extremo pequeño de la manga de drenado en el cárter. Ver Figura 22.
2. Con el motor apagado, pero todavía caliente, retire el tapón de drenado como se muestra en Figura 22 y vacíe el aceite en un contenedor apropiado.

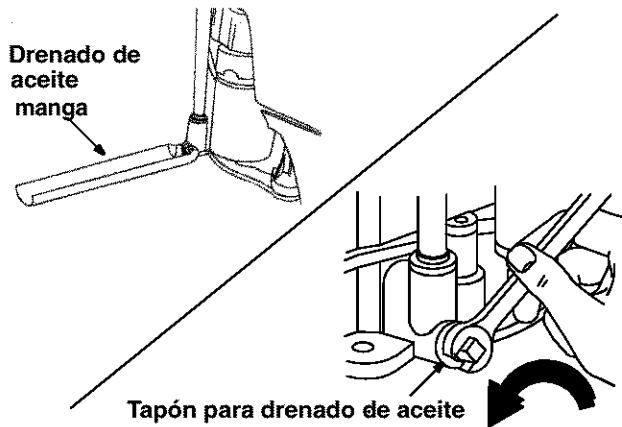


Figura 22

3. Vuelva a colocar el tapón de drenado.
4. Abra el cofre y saque la varilla para medir el aceite del motor.
5. Llene con aceite para motor del grado apropiado. Consulte la tabla de viscosidad en la página 57 para determinar el tipo de aceite.
6. Verifique el nivel de aceite como se indica en la página 56. Agregue aceite si es necesario y vuelva a colocar la varilla.
7. Baje el cofre y vuelva a conectar el cable de la bujía antes de arrancar la unidad

NOTA: Para otras reparaciones, cotacte al centro de servicio Sears o llame a la línea de ayuda de Craftsman al 1-800-659-5917.

ALMACENAMIENTO FUERA DE TEMPORADA

Si va a dejar de utilizar la máquina por un período mayor a 30 días, prepare para almacenarla como sigue:

Batería

1. Cargue completamente la batería. La batería pierde algo de su carga cada día cuando no se usa la unidad. NUNCA almacene la batería sin carga completa. Recargue la batería antes de regresar la unidad a servicio o cada dos meses, lo que ocurra primero.
2. Cuando guarde la unidad por períodos más prolongados, desconecte los cables de la batería y saque la batería de la unidad.
3. Limpie perfectamente el cilindro, cabezal, ventilador, filtro giratorio y escape.

Motor

Los motores, almacenados más de 30 días, requieren atención especial para evitar que se forme goma en el sistema de combustible o en el carburador.

1. Si el tanque de combustible contiene gasolina oxigenada o reformulada, esto es gasolina mezclada con alcohol o eter, ponga en marcha el motor hasta que se quede sin combustible.
2. Si el tanque contiene gasolina, ponga el motor en marcha hasta que se quede sin combustible o agregue un aditivo a la gasolina. Si usa un aditivo,

deje el motor en marcha por varios minutos para hacer circular el aditivo por el carburador.

3. Cambie el aceite con el motor todavía caliente.
4. Retire la bujía y vacíe cerca de una onza de aceite para motor limpio en el cilindro. Vuelva a colocar la bujía y de marcha al motor lentamente para distribuir el aceite.
5. Limpie el motor de residuos, grasa o recortes de césped.
6. Guarde el motor y la podadora en un área limpia y seca, lejos de fuentes de calor como estufas, hornos, calentadores de agua o aparatos similares que usen piloto u otro mecanismo de producción de chispa.

Podadora montable

1. Limpie perfectamente el motor y toda la unidad.
2. Lubrique todas las juntas. Limpie toda la máquina con un trapo mojado en aceite para proteger las superficies.
3. Almacene la unidad en una zona limpia y seca. No la almacene cerca de materiales corrosivos como por ejemplo fertilizantes.
4. Cuando almacene cualquier tipo de equipo eléctrico en un galpón de depósito metálico o con poca ventilación, tenga especial cuidado de realizarle un tratamiento anti-oxidante al equipo.

SOLUCIÓN DE PROBLEMAS

Problema	Causa(s) posibles	Remedio
Demasiada vibración	<ol style="list-style-type: none"> 1. Cuchilla doblada o dañada 2. Cuchilla abollada 	<ol style="list-style-type: none"> 1. Detenga el motor inmediatamente. Revise todas las poleas, adaptadores de cuchilla, llaves y pernos que estén bien ajustados y daño al mecanismo de engranaje. Repare o reemplace las piezas dañadas. 2. Detenga el motor inmediatamente. Reemplace la cuchilla dañada. Use solamente cuchillas originales.
La podadora no descarga recortes o deja tiras de césped sin recortar	<ol style="list-style-type: none"> 1. La velocidad del motor es lenta. 2. Selección de velocidad 3. La altura de corte es muy baja. 4. Las cuchillas son muy cortas o no tienen filo. 	<ol style="list-style-type: none"> 1. Debe ajustarse la aceleración al máximo. 2. Use una velocidad de piso más baja. Reduzca la velocidad de piso, para mejorar la calidad del corte. 3. Levante la cubierta 4. Afile o cambie las cuchillas (solo problema de partes sin recortar).

Problema	Causa(s) posibles	Remedio
Bandas rotas	<ol style="list-style-type: none"> 1. Paro repentino o carga a la banda 2. Uso de banda incorrecta 3. La banda se enganchó abruptamente 4. Banda defectuosa o dañada 	<ol style="list-style-type: none"> 1. Inspeccione la montura en busca de causas como objetos extraños entre la cubierta y la trayectoria de la banda. Retire la obstrucción y revise si hay daños. Coloque una nueva banda si es necesario. 2. Reemplace con una banda apropiada. Busque el número de parte correcto en la lista de partes en este manual. 3. Enganche lentamente la banda presionando suavemente el pedal de embrague de la cuchilla. 4. Reemplace con una banda apropiada. Siga las instrucciones en la página 63.
La banda se sale	<ol style="list-style-type: none"> 1. La banda está demasiado floja, vuelva a tensarla 2. Resorte de la polea roto o débil 	<ol style="list-style-type: none"> 1. Reajuste la banda Reemplace cuando sea necesario. Siga las instrucciones para cambiarla en la página 63. 2. Reemplace. Ordene con el número de parte correcto en la Lista de Partes de este manual.
La banda se destroza	<ol style="list-style-type: none"> 1. Las guías o guardas de la banda están ajustadas incorrectamente 2. Las poleas no están alineadas 3. La polea está oxidada o en malas condiciones, rodamiento congelado 	<ol style="list-style-type: none"> 1. Ajuste las guías y guardas de modo que queden aproximadamente 1/16 a 1/8 de pulgada de la banda cuando está enganchada. 2. Vuelva a alinear las poleas para que queden a 1/16 de pulgada una de otra. Verifique contra un borde recto. Asegúrese que el herraje de sujeción esté apretado. 3. Cambie las poleas. Ordene con el número de parte correcto en la Lista de Partes de este manual. Ajuste las nuevas poleas a 1/16".
El motor no da marcha	<ol style="list-style-type: none"> 1. El botón de seguridad no está presionado 2. La batería no está correctamente instalada 3. La batería está muerta o descargada 4. Fusible quemado o disyuntor de circuito abierto 5. Cable de masa del motor suelto 	<ol style="list-style-type: none"> 1. Hay dos interruptores en el circuito de arranque de su unidad. Asegúrese que el actuador esté presionando ambos interruptores. El pedal de freno debe estar presionado y el pedal de enganche de la cuchilla no debe estar enganchado. 2. Instale la batería con la terminal negativa en el cable negro. Coloque la terminal positiva en el cable rojo que va al solenoide. Cargue completamente la batería antes de instalarla. 3. Revise el nivel de líquido de la batería. Si el nivel está bajo, rellene justo abajo de los anillos con agua destilada. Cargue completamente con un cargador de 6 amperes. Si esto no funciona, cambie la batería. 4. Cambie el fusible de acuerdo a las instrucciones que aparecen en la página 63. 5. Asegurese que el cable negro de tierra va desde el motor al marco o perno de montaje.

Problema	Causa(s) posibles	Remedio
El motor da marcha pero no arranca	<ol style="list-style-type: none"> 1. La palanca de control del regulador no está en la posición de arranque correcta. 2. No hay combustible en el carburador 3. La línea de combustible o el filtro de combustible están tapados 4. No hay chispa a la bujía 5. La bujía no funciona correctamente 6. El depurador de aire está sucio. 	<ol style="list-style-type: none"> 1. Revise la posición correcta del control de ahogamiento para el arranque en el manual del propietario. 2. Tanque de gasolina vacío. Rellene con gasolina. 3. Retire y limpie la línea de combustible. Reemplace el filtro cuando sea necesario. 4. Se ha desconectado el cable de la bujía. Conecte la terminal. Mantenga la terminal de la bujía alejada del bloque del motor aproximadamente 1/8". De marcha al motor. Debe poder ver una chispa. Si no, haga que reparen el motor en un centro de servicio autorizado. 5. Para probar, quite la batería. Conecte el cable de la bujía a la misma. Coloque el cuerpo de la bujía de manera que haga masa contra el bloque del motor. De marcha al motor. La bujía debe encender en el electrodo. Reemplace si no lo hace. 6. Si el filtro de aire está sucio, el motor podría no arrancar. Limpie o cambie el depurador de aire.
El motor saca humo	<ol style="list-style-type: none"> 1. Exceso de aceite en el motor 2. La varilla del aceite no está bien asentada o está rota 	<ol style="list-style-type: none"> 1. Revise el nivel de aceite 2. Reemplace las partes defectuosas.

NOTA: Para otras reparaciones, cotacte al centro de servicio Sears o llame a la línea de ayuda de Craftsman al 1-800-659-5917.

Get it fixed, at your home or ours!

Your Home

For repair – **in your home** – of **all** major brand appliances, lawn and garden equipment, or heating and cooling systems, **no matter who made it, no matter who sold it!**

For the replacement parts, accessories and owner's manuals that you need to do-it-yourself.

For Sears professional installation of home appliances and items like garage door openers and water heaters.

1-800-4-MY-HOME® (1-800-469-4663)

Call anytime, day or night (U.S.A. and Canada)

www.sears.com www.sears.ca

Our Home

For repair of carry-in items like vacuums, lawn equipment, and electronics, call or go on-line for the location of your nearest **Sears Parts & Repair Center.**

1-800-488-1222

Call anytime, day or night (U.S.A. only)

www.sears.com

To purchase a protection agreement on a product serviced by Sears:

1-800-827-6655 (U.S.A.)

1-800-361-6665 (Canada)

Para pedir servicio de reparación a domicilio, y para ordenar piezas:

1-888-SU-HOGARSM

(1-888-784-6427)

Au Canada pour service en français:

1-800-LE-FOYER^{MC}

(1-800-533-6937)

www.sears.ca

SEARS

® Registered Trademark / TM Trademark / SM Service Mark of Sears Roebuck and Co

® Marca Registrada / TM Marca de Fabrica / SM Marca de Servicio de Sears, Roebuck and Co

®^{MC} Marque de commerce / TM Marque déposée de Sears Roebuck and Co

© Sears, Roebuck and Co