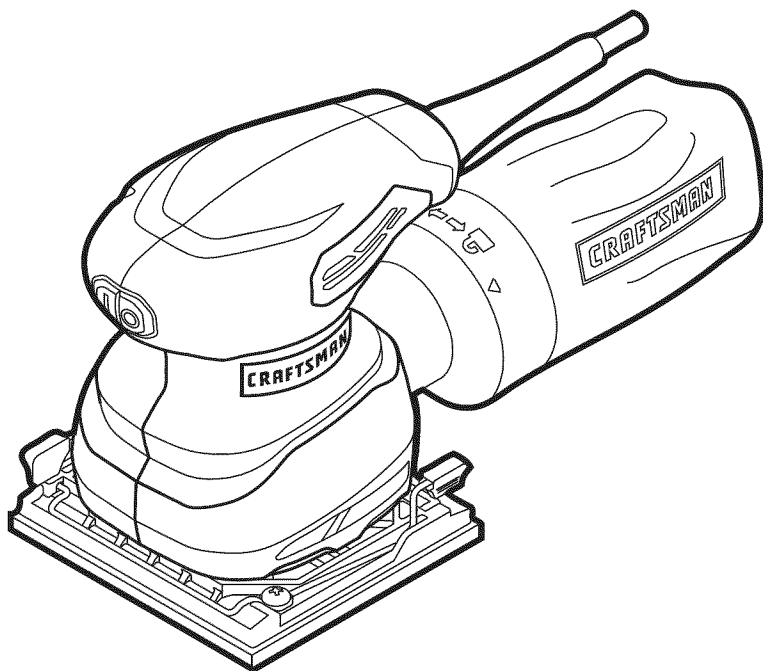


Operator's Manual

CRAFTSMAN®

2.0 Amp 1/4 SHEET SANDER

Model No. 320.39587



▲ WARNING: To reduce the risk of injury, the user must read and understand the Operator's Manual before using this product.

- WARRANTY
- SAFETY
- DESCRIPTION
- ASSEMBLY
- OPERATION
- MAINTENANCE
- ESPAÑOL

Sears Brands Management Corporation, Hoffman Estates,
IL 60179 U.S.A.

www.craftsman.com

TABLE OF CONTENTS

| | |
|---------------------|-------------|
| Warranty | Page 2 |
| Safety Symbols | Pages 4-5 |
| Safety Instructions | Pages 6-8 |
| Description | Pages 9-10 |
| Assembly | Page 11 |
| Operation | Pages 12-15 |
| Maintenance | Pages 16-17 |
| Troubleshooting | Page 17 |
| Parts List | Pages 18-19 |

CRAFTSMAN ONE YEAR LIMITED WARRANTY

FOR ONE YEAR from the date of purchase, this product is warranted against any defects in material or workmanship. With proof of purchase, defective product will be replaced free of charge.

For warranty coverage details to obtain free replacement, visit the web page: www.craftsman.com/warranty

This warranty does not cover the sandpaper, which is an expendable part that can wear out from normal use within the warranty period.

This ONE YEAR warranty is void if this product is ever used while providing commercial services or if rented to another person. For 90 DAY commercial and rental use terms, see the Craftsman warranty web page.

This warranty gives you specific legal rights, and you may also have other rights which vary from state to state.

Sears Brands Management Corporation, Hoffman Estates, IL 60179.

SAVE THESE INSTRUCTIONS!

READ ALL INSTRUCTIONS!

This ¼ sheet sander has many features for making its use more pleasant and enjoyable. Safety, performance, and dependability have been given top priority in the design of this product, making it easy to maintain and operate.

⚠ DANGER: People with electronic devices, such as pacemakers, should consult their physician(s) before using this product. Operation of electrical equipment in close proximity to a heart pacemaker could cause interference or failure of the pacemaker.

⚠ WARNING: Some dust created by power sanding, sawing, grinding, drilling and other construction activities contains chemicals known to the state of California to cause cancer, birth defects or other reproductive harm. Some examples of these chemicals are:

- Lead from lead-based paints
- Crystalline silica from bricks and cement and other masonry products, and
- Arsenic and chromium from chemically-treated lumber.

Your risk from these exposures varies, depending on how often you do this type of work. To reduce your exposure to these chemical: work in a well ventilated area, and work with approved safety equipment, such as those dust masks that are specially designed to filter out microscopic particles.

SAFETY SYMBOLS

The purpose of safety symbols is to attract your attention to possible dangers.

The safety symbols and the explanations with them deserve your careful attention and understanding. The symbol warnings do not, by themselves, eliminate any danger. The instructions and warnings they give are no substitutes for proper accident prevention measures.

⚠ WARNING: Be sure to read and understand all safety instructions in this manual, including all safety alert symbols such as “**DANGER,**” “**WARNING,**” and “**CAUTION**” before using this tool. Failure to follow all instructions listed in this manual may result in electric shock, fire, and/or serious personal injury.

SYMBOL SIGNAL MEANING

SAFETY ALERT SYMBOL: Indicates **DANGER, WARNING, or CAUTION;** may be used in conjunction with other symbols or pictographs.

⚠ DANGER: Indicates a hazardous situation which, if not avoided, will result in death or serious injury.

⚠ WARNING: Indicates a hazardous situation which, if not avoided, could result in death or serious injury.

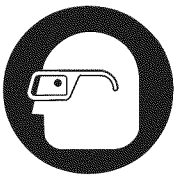
⚠ CAUTION: Indicates a hazardous situation which, if not avoided, could result in minor or moderate injury.

Damage prevention and Information Messages

These inform the user of important information and/or instructions that could lead to equipment or other property damage if they are not followed. Each message is preceded by the word “NOTICE”, as in the example below.

NOTICE: Equipment and/or property damage may result if these instructions are not followed.


⚠ WARNING: To ensure safety and reliability, all repairs should be performed by a qualified service technician.



⚠ WARNING: The operation of any power tools can result in foreign objects being thrown into your eyes, which can result in severe eye damage. Before beginning power tool operation, always wear safety goggles or safety glasses with side shield and a full face shield when needed. We recommend a Wide Vision Safety Mask for use over eyeglasses or standard safety glasses with side shields. Always use eye protection which is marked to comply with ANSI Z87.1.

SAVE THESE INSTRUCTIONS

Some of these following symbols may be used on this tool. Please study them and learn their meaning. Proper interpretation of these symbols will allow you to operate the tool better and more safely.

| SYMBOL | NAME | DESIGNATION/EXPLANATION |
|---|----------------------------|--|
| V | Volts | Voltage |
| A | Amperes | Current |
| Hz | Hertz | Frequency (cycles per second) |
| W | Watt | Power |
| min | Minutes | Time |
|  | Alternating Current | Type of current |
|  | Direct Current | Type or a characteristic of current |
| n_0 | No-load Speed | Rotational speed, at no load |
|  | Class II Construction | Double-insulated construction |
| .../min | Per Minute | Revolutions, strokes, surface speed, orbits, etc., per minute |
|  | Wet Conditions Alert | Do not expose to rain or use in damp locations. |
|  | Read The Operator's Manual | To reduce the risk of injury, user must read and understand operator's manual before using this product. |
|  | Eye Protection | Always wear safety goggles or safety glasses with side shields and a full face shield when operating this product. |
|  | Safety Alert | Precautions that involve your safety. |
|  | No-Hands Symbol | Failure to keep your hands away from the blade will result in serious personal injury. |
|  | No-Hands Symbol | Failure to keep your hands away from the blade will result in serious personal injury. |
|  | No-Hands Symbol | Failure to keep your hands away from the blade will result in serious personal injury. |
|  | No-Hands Symbol | Failure to keep your hands away from the blade will result in serious personal injury. |
|  | Hot Surface | To reduce the risk of injury or damage, avoid contact with any hot surface. |

SAFETY INSTRUCTIONS

GENERAL POWER TOOL SAFETY WARNINGS

▲ WARNING: Read all safety warnings and instructions. Failure to follow the warnings and instructions may result in electric shock, fire and / or serious injury.

Save all warnings and instructions for future reference.

The term “power tool” in the warnings refers to your mains-operated (corded) power tool or battery-operated (cordless) power tool.

WORK AREA SAFETY

- **Keep work area clean and well lit.** Cluttered or dark areas invite accidents.
- **Do not operate power tools in explosive atmospheres, such as in the presence of flammable liquids, gases or dust.** Power tools create sparks which may ignite the dust or fumes.
- **Keep children and bystanders away while operating a power tool.** Distractions can cause you to lose control.

ELECTRICAL SAFETY

- **Power tool plugs must match the outlet. Never modify the plug in any way. Do not use any adaptor plugs with earthed (grounded) power tools.** Unmodified plugs and matching outlets will reduce risk of electric shock
- **Avoid body contact with earthed or grounded surfaces such as pipes, radiators, ranges and refrigerators.** There is an increased risk of electric shock if your body is earthed or grounded.
- **Do not expose power tools to rain or wet conditions.** Water entering a power tool will increase the risk of electric shock.
- **Do not abuse the cord. Never use the cord for carrying, pulling or unplugging the power tool. Keep cord away from heat, oil, sharp edges or moving parts.** Damaged or entangled cords increase the risk of electric shock.
- **When operating a power tool outdoors, use an extension cord suitable for outdoor use.** Use of a cord suitable for outdoor use reduces the risk of electric shock.
- **If operating a power tool in a damp location is unavoidable, use a ground fault circuit interrupter (GFCI) protected supply.** Use of a GFCI reduces the risk of electric shock.

PERSONAL SAFETY

- **Stay alert, watch what you are doing and use common sense when operating a power tool. Do not use tool while tired or under the influence of drugs, alcohol, or medication.** A moment of inattention while operating power tools may result in serious personal injury.
- **Use personal protective equipment. Always wear eye protection.** Protective equipment such as dust mask, non-skid safety shoes, hard hat, or hearing protection used for appropriate conditions will reduce personal injuries.
- **Prevent unintentional starting. Ensure the switch is in the off-position before connecting to power source and/or battery pack, picking up or carrying the tool.** Carrying power tools with your finger on the switch or energizing in power tools that have the switch on invites accidents.
- **Remove any adjusting key or wrench before turning the power tool on.** A wrench or a key left attached to a rotating part of the power tool may result in personal injury.
- **Do not overreach. Keep proper footing and balance at all times.** This enables better control of the power tool in unexpected situations.
- **Dress properly. Do not wear loose clothing or jewelry. Keep your hair, clothing and gloves away from moving parts.** Loose clothes, jewelry or long hair can be caught in moving parts.
- **If devices are provided for the connection of dust extraction and collection facilities, ensure these are connected and properly used.** Use of these devices can reduce dust-related hazards.

POWER TOOL USE AND CARE

- **Do not force the power tool. Use the correct power tool for your application.** The correct power tool will do the job better and more safely at the rate for which it was designed.
- **Do not use the power tool if the switch does not turn it on and off.** Any power tool that cannot be controlled with the switch is dangerous and must be repaired.
- **Disconnect the plug from the power source and/or the battery pack from the power tool before making any adjustments, changing accessories, or storing power tools.** Such preventive safety measures reduce the risk of starting the power tool accidentally.
- **Store idle power tools out of the reach of children and do not allow persons unfamiliar with the power tool or these instructions to operate the power tool.** Power tools are dangerous in the hands of untrained users.
- **Maintain power tools. Check for misalignment or binding of moving parts, breakage of parts and any other condition that may affect the power tool's operation. If damaged, have the power tool repaired before use.** Many accidents are caused by poorly maintained power tools.

- **Keep cutting tools sharp and clean.** Properly maintained cutting tools with sharp cutting edges are less likely to bind and are easier to control.
- **Use the power tool, accessories and tool bits etc., in accordance with these instructions, taking into account the working conditions and the work to be performed.** Use of the power tool for operations different from those intended could result in a hazardous situation.

SERVICE

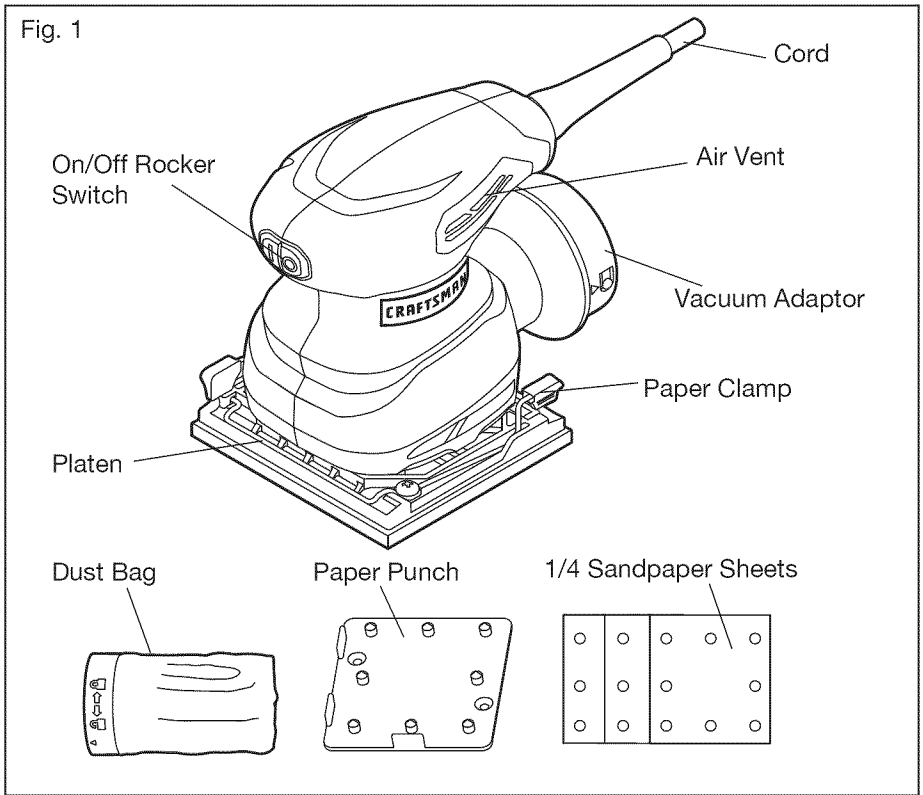
- **Have your power tool serviced by a qualified repair person using only identical replacement parts.** This will ensure that the safety of the power tool is maintained.
- **Follow instructions in the Maintenance section of this manual.** Use of unauthorized parts or failure to follow Maintenance instructions may create a risk of shock or injury.

SPECIFIC SAFETY RULES FOR SHEET SANDER

- **Hold sanders by insulated gripping surfaces, because the sandpaper may contact its own cord.** Cutting a “live” wire may make exposed metal parts of the power tool “live” and could give the operator an electric shock.
- **A suitable breathing respirator must be worn while sanding lead paint,** some woods and metal to avoid breathing the harmful/toxic dust or air.
- **Always wear safety goggles and a dust mask when sanding,** especially sanding over-head.
- The machine is not suitable for wet sanding.
- **Secure the workpiece.** A workpiece clamped with clamping devices or in a vice is held more secure than by hand.
- Make sure the sandpaper is not contacting the workpiece before the on/off rocker switch is in the ON position.
- **Do not leave the tool running.** Operate the tool only when hand-held.

DESCRIPTION

KNOW YOUR SHEET SANDER (Fig. 1)



PRODUCT SPECIFICATIONS

| | |
|------------------|-------------------------------|
| Input | 120V, 60Hz, AC only, 2.0 Amps |
| No-load Speed | 14000 OPM |
| Paper Size | 1/4 sheet |
| Paper Type | Non-adhesive sandpaper |
| Protection Class | II |

⚠ WARNING: The safe use of this product requires an understanding of the information on the tool and in this operator's manual as well as knowledge of the project you are attempting. Before using this product, familiarize yourself with all operating features and safety rules.

ORBITAL MOTION

Orbital motion is ideal for fast cutting action when removing old finishes, smoothing rough wood, cutting stock down to required dimensions or for finishing surfaces to be painted. The sandpaper moves in tiny circles at a very high speed, allowing the sander to move easily.

DUST BAG

Use the dust bag for removing dust from the sanding space to help keep the working area clean.

VACUUM ADAPTOR

The on-board vacuum adaptor allows you to connect to a 1-1/4 in. or 2-1/4 in. diameter vacuum hose to help keep the work area clean.

ON/OFF ROCKER SWITCH

The dust-sealed on/off rocker switch is conveniently located for easy control, sealed to keep out dust for long life.

PAPER CLAMP

The sander has two paper clamps designed to secure standard sandpaper to the platen.

PAPER PUNCH

The paper punch can be used to punch holes in sandpapers, to allow sanded material to pass through the sheet sander into the dust box or through a vacuum.

ASSEMBLY

⚠ WARNING: If any parts are broken or missing, do not attempt to plug or operate the sheet sander until the broken or missing parts are replaced. Failure to do so could result in possible serious injury.

⚠ WARNING: Do not attempt to modify this sander or create accessories not recommended for use with this sheet sander. Any such alteration or modification is misuse and could result in a hazardous condition leading to possible serious injury.

⚠ WARNING: To prevent accidental starting that could cause serious personal injury, always disconnect the sander from the power source when assembling parts, making adjustments, installing or removing sandpaper, cleaning, or when it is not in use.

UNPACKING

- Carefully remove the tool and any accessories from the carton. Make sure that all items listed in the packing list are included.
- Inspect the tool carefully to make sure that no breakage or damage occurred during shipping.
- Do not discard the packing material until you have carefully inspected and satisfactorily operated the tool.
- If any parts are damaged or missing, please return the tool to the place of purchase.

PACKING LIST

1/4 sheet sander, 3 sandpapers (grit 60,120,220), dust bag, paper punch and operator's manual.

OPERATION

▲ WARNING: To prevent accidental starting that could cause serious personal injury, always disconnect the sander from the power source when assembling parts, making adjustments, installing or removing sandpaper, cleaning, or when it is not in use.

TURNING THE SANDER ON/ OFF (Fig. 2)

To turn on the sander, connect the plug to an electrical outlet, and depress the side of the rocker switch marked “I”.

To turn it off, depress the side of the rocker switch marked “O”.

ATTACHING THE SANDPAPER

▲ WARNING: Always inspect the sandpaper before attaching. Do not use the paper if it is torn or defective. The non-adhesive sandpaper clamps to the front and back of the platen.

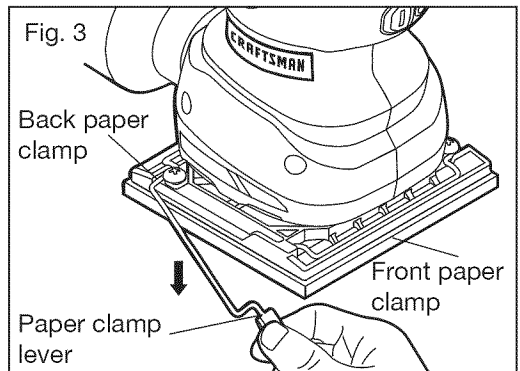
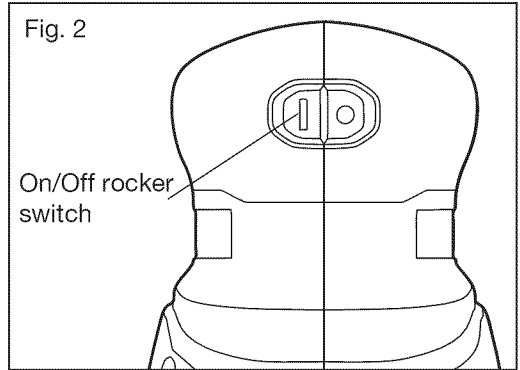
1. Disconnect the sander from the power source.

▲ WARNING: Failure to unplug the sander could result in accidental starting, causing possible serious personal injury.

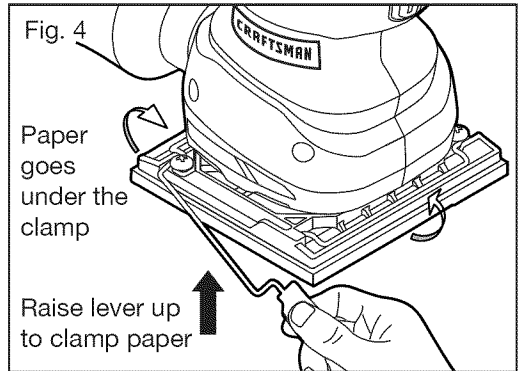
2. Remove any dust or debris from the platen.
3. The paper clamp levers are located on each side of the sander and are locked into the slot on top of the platen.
4. Raise these two levers “up” and disengage them from the slots in the platen. This will release the tension on the paper clamps that hold the paper in position on the underside of the platen (Fig. 3).

5. Insert the front end of the sandpaper approximately 1/2 in. under the front paper clamp.

6. Lift up on the lever that controls the front paper clamp and lock it back into the slot on the platen. This will securely clamp the paper to the front of the platen.



7. Smooth out the sandpaper by pressing it tightly against the bottom of the platen (front to back).
8. Insert the back end of the sandpaper into the back paper clamp, fit the sandpaper as tightly as possible, and lift up on the back clamp lever to lock it into place. This will securely clamp the paper to the back of the platen. The sandpaper should now be positioned tightly against the underside of the platen from front to back and securely clamped in place (Fig. 4).

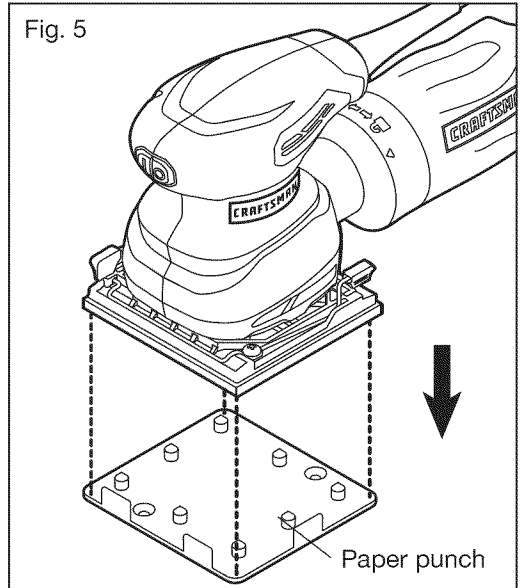


PAPER PUNCH

A paper punch is provided with the sander so you can punch properly aligned holes into the sandpaper. This is done after the paper is installed onto the sander.

To punch holes, line up the front and side of the sander over the paper punch as shown in Fig. 5, then lower the sander onto the punch template while applying pressure. Make sure that the holes are punched all the way through the paper and clear the holes in the sander's platen.

NOTICE: Punching holes properly is a necessary step for the dust-collecting system to operate properly.



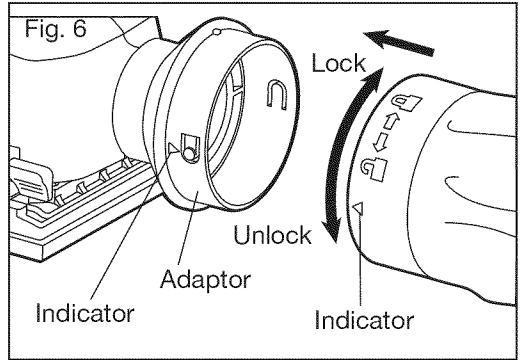
DUST BAG

⚠ WARNING: Do not use the dust bag when sanding metal. Using the dust bag when sanding metal creates a fire hazard, which could damage the tool and lead to serious personal injury.

Your sheet sander is supplied with a dust bag to help you keep the working area clean. The dust bag is ideal for smaller jobs.

To install:

1. Disconnect the sander from the power source.
2. Align the indicators on the vacuum adaptor and the dust bag.
3. Slide the dust bag forward and push it onto the adaptor; rotate the bag clockwise to lock it in place (Fig. 6).



NOTICE: From time to time, clean the vacuum adaptor with a dry brush.

To remove:

1. Disconnect the sander from the power source.
2. Grip the dust bag firmly, rotate it counterclockwise and pull it out from the tool (Fig. 6).

NOTICE: For longer periods of use, or on large pieces of work, it is advisable to use a suitable vacuum cleaner. Attach an 1-1/4 in. or 2-1/4 in. wet/dry-vacuum hose to the vacuum adaptor. It is advisable to also wear a suitable dust mask, as there may be residual airborne dust particles in the area.

▲ WARNING: The dust that is produced while sanding can be detrimental to health, flammable, or explosive. Suitable safety measures are required. Examples: Some types of dust known to cause cancer. Always wear a dust mask, and use the proper dust collection method: dust box for small volume and vacuum connection for large volume dust collection.

SELECTING THE RIGHT GRADE OF SANDPAPER

Different grades of sandpaper can be purchased from the store where you purchased the tool. Available grades are: Coarse, Medium and Fine.

Use a coarse grit to sand down rough finishes, medium grit to smooth the work and fine grit to finish off.

It is best to make a trial run on a scrap piece of material to determine the optimum grades of sandpaper for a particular job.

SANDING

This sander can be used for most sanding operations on materials such as wood, plastic, metal and painted surfaces.

▲ WARNING: Do not touch the vents after prolonged use; the gear box could be very hot.

⚠ WARNING: Wear safety goggles, dust mask, and hearing protection.

⚠ CAUTION: Clamp the workpiece to prevent it from moving during operating. An unsecured workpiece could be thrown towards the operator, causing injury.

1. Plug the sander to the power source.

⚠ WARNING: Before connecting the sander to power source, always check to be sure that the switch is in the OFF (O) position. Failure to do so could result in accidental starting of the sander, causing possible serious injury.

2. Start the sander and allow the motor build to its maximum speed.

⚠ WARNING: Keep your head away from the sander and the sanding area. Your hair could be drawn into the sander, causing serious injury.

3. Place the sander on the workpiece so that the sandpaper is fully in contact with the workpiece.
4. For best sanding results, apply light pressure on the sander, but do not force the tool.

NOTICE: Applying additional pressure only slows the motor, rapidly wears sandpaper, and greatly reduces sander speed. Excessive pressure will overload the motor, causing possible damage from motor overheating and can result in inferior work.

5. Move the sander slowly, guiding it in a forward and backward motion. The removal rate and the sanding pattern are determined by the choice of sandpaper and the work surface.
6. Do not allow sanding on one spot too long as the sander's rapid action may remove too much material, making the surface uneven.
7. Upon completion of sanding operation, remove the sander from the workpiece, turn the sander off and wait it comes to a complete stop before putting it down.
8. Extended periods of sanding may tend to overheat the motor. If this occurs, remove the sander from the workpiece and turn it off, wait until the sander comes to a complete stop before putting it down. Unplug the sander and remove the sandpaper. Then, making sure to keep your hand away from the vent area, turn the sander on and run it without load to cool the motor.

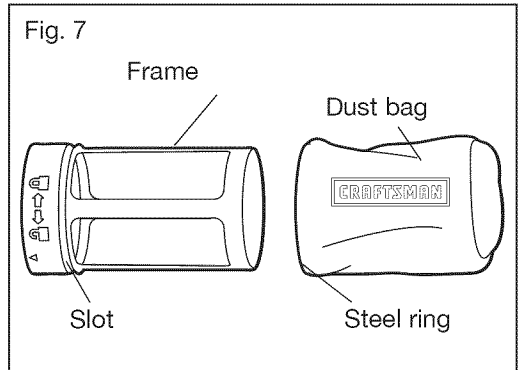
MAINTENANCE

⚠ WARNING: Before cleaning or performing any maintenance, make sure that the sheet sander has been disconnected from the power source.

⚠ WARNING: Always wear safety goggles or safety glasses with side shields when using compressed air to clean the tool. If the operation is dusty, also wear a dust mask.

CLEANING THE DUST BAG (Fig. 7)

For more efficient operation, empty the dust bag when it is no more than half full. This will permit the air to flow through the dust bag better. Always empty and thoroughly clean the dust bag when you've finished sanding and before you store the sander.



To empty the dust bag

1. Disconnect the sheet sander from the power source.
2. Remove the dust bag from the sander and shake out the dust.
3. For a more thorough cleaning of the dust bag, remove the dust bag from the frame and shake out the dust bag (Fig. 7).
4. Use a soft brush to clean the frame.
5. Replace the dust bag over the frame, then reinstall it on the sander.

NOTICE: When replacing the dust bag over the frame, make sure that the steel ring in the dust bag snaps into the slot of the frame.

⚠ WARNING: Collected sanding dust from sanding surface coatings such as polyurethanes, linseed oil, etc., can self-ignite in the sander dust bag or elsewhere and cause fire. To reduce the risk of fire, always empty the dust bag frequently while sanding and never store or leave a sander without totally emptying its dust bag. Also follow the recommendations of the coating manufacturer.

GENERAL MAINTENANCE

Avoid using solvents when cleaning plastic parts. Most plastics are susceptible to damage from various types of commercial solvents and may be damaged by their use. Use clean cloths to remove dirt, dust, oil, grease, etc. Keep all ventilation openings clean.

⚠ WARNING: Do not at any time let brake fluids, gasoline, petroleum-based products, penetrating oils, etc. come in contact with plastic parts. Chemicals can damage, weaken or destroy plastic which may result in serious personal injury.

⚠ WARNING: When servicing, use only identical replacement parts. Use of any other parts may create a hazard or cause product damage. To ensure safety and reliability, all repairs should be performed by a qualified service technician.

TROUBLESHOOTING

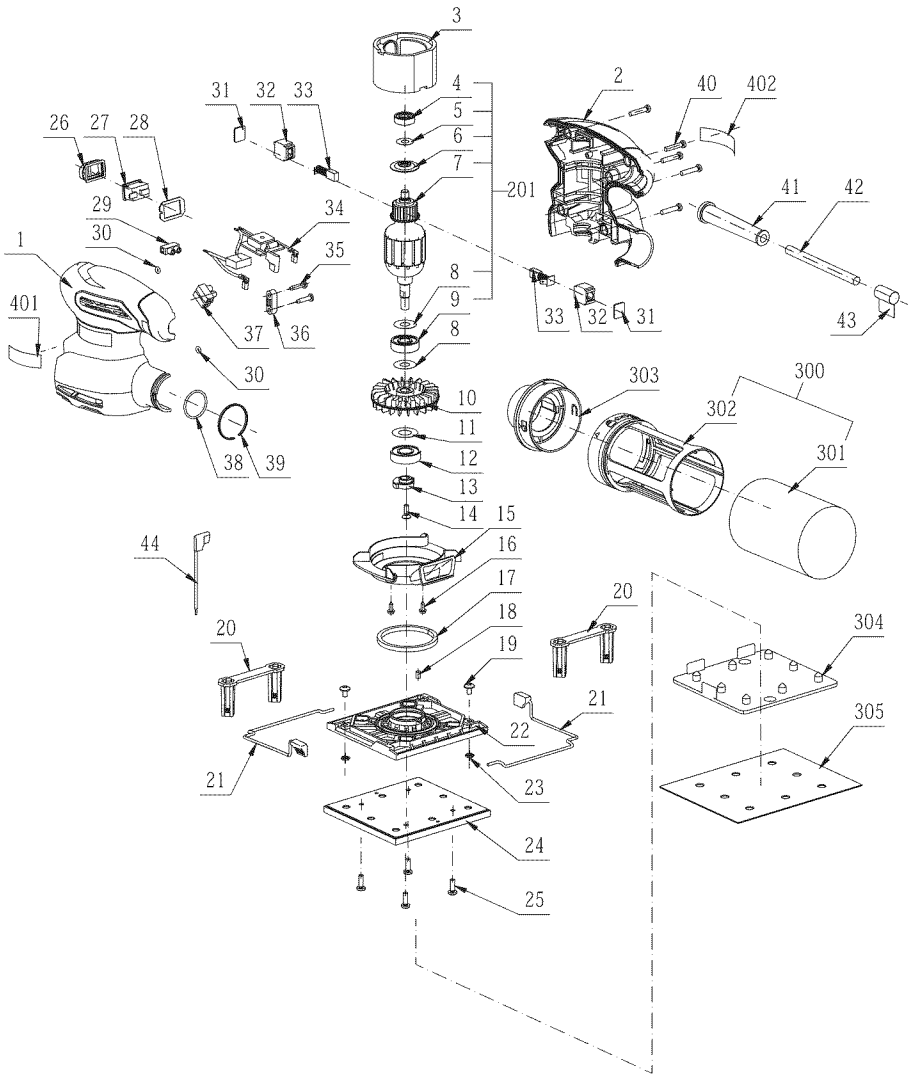
| PROBLEM | CAUSE | SOLUTION |
|-------------------------------|---|-------------------------------------|
| The sander does not work | Not connected to power source | Plug the sander into a power source |
| Unsatisfactory sanding result | Sandpaper is worn | Replace with new sandpaper |
| | Sandpaper is not suitable for the workpiece | Use correct sandpaper |

PARTS LIST

2.0AMP 1/4 SHEET SANDER MODEL NUMBER 320.39587

The Model Number will be found on the nameplate of the tool. Always mention the Model Number when ordering parts for this tool.

To order parts, call 1-881-331-4569.



PARTS LIST

2.0 AMP 1/4 SHEET SANDER MODEL NUMBER 320.39587

The Model Number will be found on the nameplate of the tool. Always mention the Model Number when ordering parts for this tool.

To order parts, call 1-888-331-4569.

| No. | Parts No. | Parts Name | QTY |
|-----|------------|-------------------|-----|
| 1 | 3321699000 | Left Housing | 1 |
| 2 | 3321698000 | Right Housing | 1 |
| 3 | 2740350000 | Stator | 1 |
| 201 | 2823831000 | Rotor Set | 1 |
| 4 | 5700006000 | Ball Bearing | 1 |
| 5 | 5650050000 | Plain Washer | 1 |
| 6 | 3124643000 | Insulated Pad | 1 |
| 7 | 2751007000 | Rotor | 1 |
| 8 | 5650043000 | Plain Washer | 2 |
| 9 | 5700010000 | Ball Bearing | 1 |
| 10 | 3421538000 | Dust Fan | 2 |
| 11 | 5650044000 | Plain Washer | 1 |
| 12 | 5700014000 | Ball Bearing | 1 |
| 13 | 3520773000 | Counterweight | 1 |
| 14 | 5620069000 | Screw | 1 |
| 15 | 3127319000 | Fan Baffle | 1 |
| 16 | 3700137000 | Flange Screw | 2 |
| 17 | 3703578000 | Felt ring | 1 |
| 18 | 3121038000 | Rubber Stick | 1 |
| 19 | 5620504000 | Screw | 2 |
| 20 | 3402665000 | Pad Support | 2 |
| 21 | 3402447000 | Wire Hold | 2 |
| 22 | 3127318000 | Base Plate | 1 |
| 23 | 5630002000 | Hexagon Nut | 2 |
| 24 | 2822801000 | Soft Pad Assembly | 1 |
| 25 | 5620040000 | Screw | 4 |
| 26 | 3127321000 | Switch Cover | 1 |
| 27 | 4870051000 | Switch | 1 |
| 28 | 3700577000 | Fixing Board | 1 |
| 29 | 4930004000 | Connecter | 1 |
| 30 | 5690013000 | O Ring | 2 |
| 31 | 3700491000 | Flash Board | 2 |
| 32 | 2800015000 | Brush Holder | 2 |

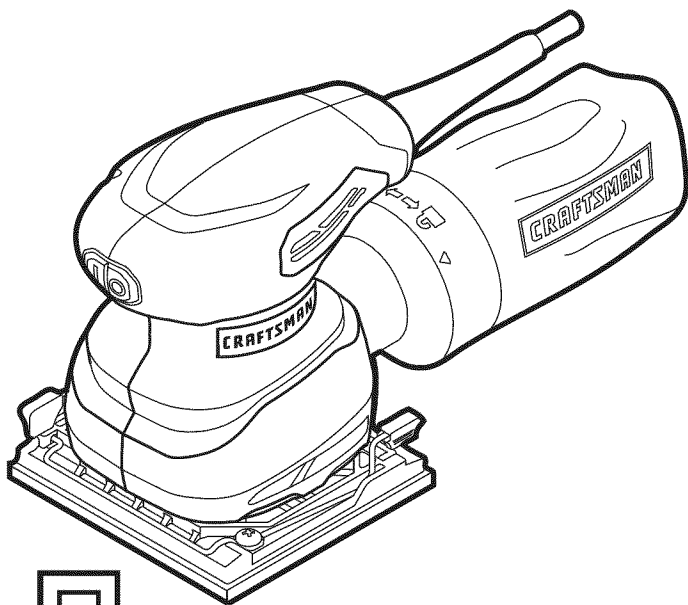
| No. | Parts No. | Parts Name | QTY |
|-----|------------|---------------------|-----|
| 33 | 4960015000 | Carbon Brush | 2 |
| 34 | 2823862000 | PCB Assembly | 1 |
| 35 | 5610024000 | Tapping Screw | 2 |
| 36 | 3120234000 | Cord Anchorage | 1 |
| 37 | 4930004000 | Connecter | 1 |
| 38 | 5690268000 | O Ring | 1 |
| 39 | 5660187000 | C Ring | 1 |
| 40 | 5610248000 | Tapping Screw | 5 |
| 41 | 3121065000 | Cord Guard | 1 |
| 42 | 4810002000 | Power Cord & Plug | 1 |
| 43 | 2490136000 | Nylon String | 1 |
| 44 | 2823863000 | Inner Wire Assembly | 1 |
| 300 | 2822510000 | Dust Bag Assembly | 1 |
| 301 | 2823158000 | Dust Bag Assembly | 1 |
| 302 | 3127320000 | Dust Bag Skeleton | 1 |
| 303 | 3127397000 | Vacuum Adapter | 1 |
| 304 | 3121354000 | Paper Punch | 1 |
| 305 | 2820409000 | Sanding Paper | 1 |
| 401 | 2243608000 | LOGO Nameplate | 1 |
| 402 | 2243608000 | Nameplate | 1 |

Manual del Propietario

CRAFTSMAN®

LIJADORA DE 1/4 DE HOJA DE 2.0 Amp

Modelo N° 39587



▲ ADVERTENCIA: Para reducir el riesgo de lesiones, el usuario debe leer y comprender el Manual del Propietario antes de usar este producto

- GARANTÍA
- SEGURIDAD
- DESCRIPCIÓN
- MONTAJE
- OPERACIÓN
- ESPAÑOL

Sears Brands Management Corporation, Hoffman Estates,
IL 60179 U.S.A.

www.craftsman.com

TABLA DE CONTENIDOS

| | |
|--|---------------|
| Garantía | Página 22 |
| Símbolos de Seguridad | Páginas 24-25 |
| Instrucciones de Seguridad | Páginas 26-29 |
| Descripción | Páginas 30-31 |
| Montaje | Página 32 |
| Operación | Páginas 33-37 |
| Mantenimiento | Páginas 37-38 |
| Identificación y Solución de Problemas | Página 38 |

GARANTÍA LIMITADA DE UN AÑO CRAFTSMAN

DURANTE UN AÑO desde la fecha de compra, este producto cuenta con garantía contra cualquier clase de defectos de material o de mano de obra.

Mediante una prueba de compra, el producto defectuoso se reemplazará sin costo alguno.

Si desea obtener detalles sobre la cobertura de garantía para obtener un reemplazo sin costo, visite la página web: www.craftsman.com/warranty

Esta garantía no cubre la papel de lija, porque es una pieza prescindible que pueden desgastarse debido al uso normal dentro del período de garantía.

La presente garantía de UN AÑO quedará anulada si este producto se usa para brindar servicios comerciales o si se alquila a terceros. Para consultar los términos de uso comercial y de alquiler de 90 DÍAS, visite la página web sobre garantía de Craftsman.

Esta garantía le otorga derechos legales específicos y usted puede contar con otros derechos, que pueden variar de estado a estado.

Sears Brands Management Corporation, Hoffman Estates, IL 60179.

¡GUARDE ESTAS INSTRUCCIONES!

¡LEA TODAS LAS INSTRUCCIONES!

Esta lijadora para 1/4 de hoja cuenta con varias características para hacer su uso más agradable y placentero. Durante el diseño de esta herramienta, la seguridad, el rendimiento y la confiabilidad han sido las prioridades principales, además de la sencillez de mantenimiento y de operación.

⚠ PELIGRO: La gente con los accesorios electrónicos, como los estimuladores cardíacos, deben consultar sus médicos antes de usar este producto. La operación de los equipos eléctricos cerca de un estimulador cardíaco puede causar la interferencia o la avería del estimulador cardíaco.

⚠ ADVERTENCIA: Unos polvos creado por lijadoras mecánicas, las sierras mecánicas, las amoladoras eléctricas, los taladros y otras actividades de la construcción contienen los elementos químicos que son conocidos para el estado de California de causar el cancer, los defectos de nacimientos o otros daños reproductores. Unos ejemplos de estos elementos químicos estan:

- Plomo de la pintura con base de plomo
- El sílice cristalino de los ladrillos y cemento y otras productas de la albañilería, y
- El arsenic y el cromo de la madera tratada químicamente

Su riesgo de éstas exposiciones varía, dependiente con qué frecuencia haga esto typo de trabajo. Para reducir su exposición a estos elementos químicos: trabaje en un lugar bien ventilada, y trabaje con el equipo de seguridad, como las máscaras antipolvo que han diseñado específicamente para filtrar las partículas microscópicas.

SÍMBOLOS DE SEGURIDAD

El objeto de los símbolos de seguridad es atraer su atención sobre posibles peligros. Los símbolos de seguridad y las explicaciones junto a ellas ameritan su cuidadosa atención y comprensión. Los símbolos de advertencia no eliminan los peligros por sí solos. Las instrucciones y advertencias que ofrecen no reemplazan las medidas adecuadas de prevención de accidentes.

⚠ ADVERTENCIA: Asegúrese de leer y comprender todas las instrucciones de seguridad de este manual, incluyendo todos los símbolos de alerta de seguridad, tales como “**PELIGRO**”, “**ADVERTENCIA**” y “**PRECAUCIÓN**” antes de utilizar esta lijadora. No seguir todas las instrucciones listadas a continuación puede generar una descarga eléctrica, un incendio y/o graves lesiones corporales.

SIGNIFICADO DE LOS SÍMBOLOS

SÍMBOLO DE ALERTA DE SEGURIDAD: Indica **PELIGRO**, **ADVERTENCIA** O **PRECAUCIÓN**. Puede utilizarse en conjunto con otros símbolos u otros pictogramas.

⚠ PELIGRO: Indica una situación peligrosa que, si no se evita, puede provocar la muerte o una lesión grave. Esta palabra debe limitarse a las situaciones.

⚠ ADVERTENCIA: Indica una situación peligrosa que, si no se evita, puede provocar la muerte o una lesión grave.

⚠ PRECAUCIÓN: Indica una situación peligrosa que, si no se evita, puede provocar una lesión menor o moderada.

Mensajes de información y de prevención de daños

Estos informan al usuario sobre informaciones y/o instrucciones importantes que podrían provocar daños al equipamiento o a la propiedad si no se siguen. Cada mensaje está precedido por la palabra “**AVISO**”, como en el ejemplo siguiente:

AVISO: Pueden provocarse daños al equipamiento y/o a la propiedad si no se cumplen estas instrucciones.

⚠ ADVERTENCIA: Para garantizar la seguridad y la confiabilidad, todas las reparaciones deben ser efectuadas por un técnico calificado.



⚠ ADVERTENCIA: El funcionamiento de cualquier herramienta eléctrica puede provocar el lanzamiento de objetos en dirección de su rostro, y los consecuentes graves daños oculares. Antes de comenzar a utilizar la herramienta eléctrica, siempre use gafas o lentes de seguridad con protección lateral y una protección completa de rostro cuando sea necesario. Recomendamos el uso de una máscara de seguridad de visión amplia sobre los anteojos o gafas de seguridad estándar con protección lateral. Siempre utilice protección ocular con certificación de cumplimiento con ANSI Z87.1.

GUARDE ESTAS INSTRUCCIONES

Algunos de los siguientes símbolos pueden utilizarse en esta herramienta. Tengaa bien estudiarlos y aprender su significado. Una interpretación adecuada de estos símbolos le permitirá operar la herramienta de una manera mejor y más segura.

| SÍMBOLO | NOMBRE | DESIGNACIÓN / EXPLICACIÓN |
|---|-----------------------------------|---|
| V | Voltios | Voltaje |
| A | Amperios | Corriente |
| Hz | Hercios | Frecuencia (ciclos por segundo) |
| W | Vatios | Energía |
| min | Minutos | Tiempo |
|  | Corriente alterna | Tipo de corriente |
|  | Corriente continua | Tipo o una característica de la corriente |
| n_0 | Velocidad sin carga | Velocidad giratoria, sin carga |
|  | Construcción Clase II | Construcción de doble aislación |
| .../min | Por minuto | Revoluciones, carreras, velocidad de superficie, órbitas, etc., por minuto. |
|  | Alerta de condiciones húmedas | No exponga a la lluvia u otras locaciones húmedas. |
|  | Lea el manual de operación | Para reducir el riesgo de lesiones, el usuario debe leer y comprender este manual de operación antes de usar este producto. |
|  | Protección ocular | Siempre use gafas o lentes de seguridad con protecciones laterales y una protección de todo el rostro cuando utilice este producto. |
|  | Alerta de seguridad | Precauciones que involucran su seguridad. |
|  | Símbolo de no tocar con las manos | No mantener sus manos alejadas de la sierra provocará lesiones personales graves. |
|  | Símbolo de no tocar con las manos | No mantener sus manos alejadas de la sierra provocará lesiones personales graves. |
|  | Símbolo de no tocar con las manos | No mantener sus manos alejadas de la sierra provocará lesiones personales graves. |
|  | Símbolo de no tocar con las manos | No mantener sus manos alejadas de la sierra provocará lesiones personales graves. |
|  | Superficie caliente | Para reducir el riesgo de lesiones o daños, evite el contacto con cualquier superficie caliente. |

INSTRUCCIONES DE SEGURIDAD

ADVERTENCIAS GENERALES DE SEGURIDAD DE LAS HERRAMIENTAS ELÉCTRICAS

▲ ADVERTENCIA: Lea todas las advertencias e instrucciones de seguridad. No seguir las advertencias e instrucciones puede generar una descarga eléctrica, un incendio y/o lesiones personales graves.

Conserve todas las advertencias e instrucciones para referencia futura.

El término “herramienta eléctrica” de todas las advertencias listadas a continuación hacen referencia a herramientas eléctricas con cable o herramientas eléctricas operadas a batería (inalámbricas).

SEGURIDAD EN EL ÁREA DE TRABAJO

- **Mantenga el área de trabajo limpia y bien iluminada.** Las áreas desordenadas u oscuras son propicias para los accidentes.
- **No utilice herramientas eléctricas en atmósferas explosivas, como en la presencia de líquidos inflamables, gases o polvillo.** Las herramientas eléctricas crean chispas, que pueden encender el polvillo o el humo.
- **Mantenga a los niños y a los transeúntes alejados mientras maneja esta herramienta eléctrica.** Las distracciones pueden provocar la pérdida de control.

SEGURIDAD ELÉCTRICA

Evite el contacto corporal con superficies con conexión a tierra, tales como cañerías, radiadores, cocinas y refrigeradores. Existe un riesgo mayor de descarga eléctrica si su cuerpo tiene conexión a tierra.

- **Los enchufes de las herramientas eléctricas deben poder insertarse en los tomacorrientes.** Nunca modifique el enchufe de ninguna manera. No utilice enchufes adaptadores con herramientas eléctricas con conexión a tierra. No modificar los enchufes y contar con el tomacorriente adecuado reducirán el riesgo de una descarga eléctrica.
- **No exponga las herramientas eléctricas a la lluvia o a condiciones de humedad.** El agua que ingresa a la herramienta eléctrica incrementará el riesgo de una descarga eléctrica.
- **No maltrate el cable. Nunca utilice el cable para trasladar o desenchufar la herramienta eléctrica ni tire del mismo. Mantenga el cable alejado del calor, aceite, extremos afilados o piezas en movimiento.** Los cables dañados o enredados incrementan el riesgo de una descarga eléctrica.

- **Cuando utilice una herramienta eléctrica al aire libre, use un cable de extensión especial para uso al exterior.** El uso de un cable adecuado para el aire libre reduce el riesgo de una descarga eléctrica.
- **Si no puede evitar el uso de una herramienta eléctrica en un lugar húmedo, utilice un suministro de energía protegido por un interruptor de circuito con descarga a tierra (GFCI, por sus siglas en inglés).** El uso de un GFCI reduce el riesgo de una descarga eléctrica.

SEGURIDAD PERSONAL

- **Manténgase alerta, preste atención a lo que hace y tenga sentido común cuando utilice una herramienta eléctrica. No utilice una herramienta eléctrica si está cansado o bajo la influencia de drogas, alcohol o alguna medicación.** Un momento de distracción mientras utilice herramientas eléctricas puede provocar lesiones personales graves.
- **Utilice equipamiento de protección personal. Siempre use protección ocular.** El equipamiento de seguridad como las máscaras antipolvo, zapatos antideslizantes, cascos o protección auditiva utilizados para condiciones apropiadas reducirán las lesiones personales.
- **Evite el encendido involuntario. Verifique que el interruptor se encuentre en la posición OFF (apagado) antes de conectar a la fuente de energía y/o a la batería, levantar la herramienta o trasladarla.** Llevar herramientas eléctricas con el dedo sobre el interruptor o enchufar herramientas que tienen el interruptor en la posición "ON" (encendido) es una invitación a sufrir un accidente.
- **Quite las llaves ajustables antes de encender la herramienta eléctrica.** Una llave de tuercas que se deja conectada a una pieza giratoria de la herramienta puede provocar lesiones personales.
- **No se estire de más. Mantenga una postura equilibrada y segura en todo momento.** Esto permite un mejor control de la herramienta eléctrica en situaciones inesperadas.
- **Vístase adecuadamente. No use vestimenta suelta o joyas. Mantenga su cabello, ropa y guantes alejados de las piezas en movimiento.** La ropa suelta, joyas o cabello largo pueden engancharse en las piezas en movimiento.
- **Si los dispositivos pueden conectarse a instalaciones de extracción y recolección de polvo, asegúrese de que se encuentren bien conectados y se usen adecuadamente.** El uso de estos dispositivos puede reducir los riesgos relacionados con el polvo.

USO Y CUIDADO DE LA HERRAMIENTA ELÉCTRICA

- **No fuerce la herramienta eléctrica. Use la herramienta eléctrica correcta para su aplicación.** La herramienta eléctrica correcta hará mejor el trabajo y de manera más segura cuando se usa en la clasificación para la cual fue diseñada.
- **No use la herramienta eléctrica si el interruptor no puede encenderla (ON) o apagarla (OFF).** Cualquier herramienta que no puede controlarse mediante el interruptor es peligrosa y debe repararse.
- **Desconecte el enchufe de la fuente de energía y/o el paquete de baterías desde la herramienta eléctrica antes de realizar ajustes, cambiar accesorios o almacenar herramientas eléctricas.** Dichas medidas de seguridad preventivas reducen el riesgo de encender la herramienta eléctrica de manera accidental.
- **Guarde las herramientas eléctricas fuera del alcance de los niños y no permita que personas que no saben usar la herramienta eléctrica o que no conocen las instrucciones la operen.** Las herramientas eléctricas son peligrosas en manos de usuarios faltos de capacitación.
- **Realice mantenimiento de las herramientas eléctricas. Controle que las piezas en movimiento no estén mal alineadas y que no se traben, la rotura de piezas y cualquier otra condición que pueda afectar el funcionamiento de la herramienta eléctrica. Si está dañada, haga reparar la herramienta antes de usarla.** Muchos accidentes son provocados por herramientas que no han recibido el mantenimiento adecuado.
- **Mantenga las herramientas de corte afiladas y limpias.** Las herramientas de corte bien mantenidas con extremos de corte afilados tienen menos probabilidades de trabarse y son más fáciles de controlar.
- **Utilice la herramienta eléctrica, accesorios, hojas de corte, etc. de acuerdo con estas instrucciones y del modo concebido para este tipo particular de herramienta eléctrica, teniendo en cuenta las condiciones de trabajo y el trabajo a realizar.** El uso de la herramienta eléctrica para operaciones diferentes de las previstas puede generar una situación peligrosa.

SERVICIO

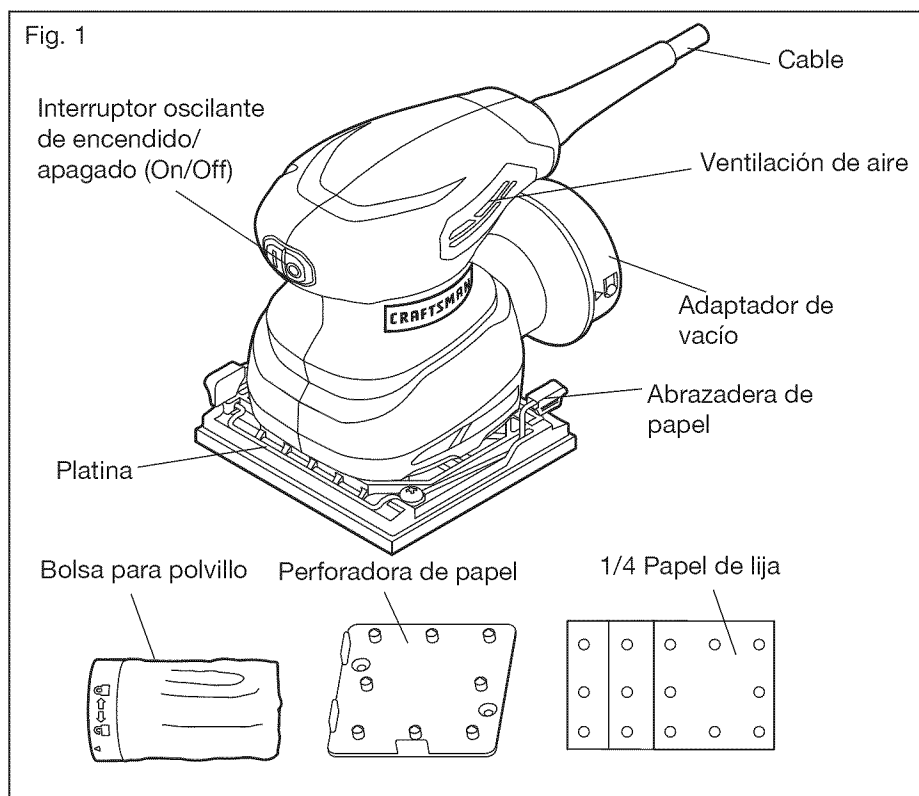
- **Solicite a personal de reparación calificado que realice el mantenimiento y arreglos utilizando sólo las piezas de repuesto idénticas.** Esto asegurará el mantenimiento de la seguridad de la herramienta eléctrica.
- **Siga las instrucciones de la Sección de Mantenimiento de este manual.** El uso de piezas no autorizadas o no seguir las instrucciones de Mantenimiento pueden crear un riesgo de descarga eléctrica o lesiones.

NORMAS ESPECÍFICAS DE SEGURIDAD PARA LA LIJADORA DE 1/4 DE HOJA

- **Sostenga las herramientas eléctricas de sus superficies de agarre aisladas cuando realice una operación en la que la herramienta de corte pueda hacer contacto con cableado oculto o con su propio cable.** El contacto con un cable “cargado” provocará que las piezas expuestas de piezas de metal también se “carguen” y ejerzan una descarga eléctrica en el operador.
- **Debe utilizarse un respirador adecuado mientras se esté lijando pintura con plomo, algunas maderas y metales para no respirar el polvillo o aire nocivo/tóxico.**
- **Siempre utilice gafas de seguridad y una máscara anti-polvillo cuando realice operaciones de lijado, especialmente en lugares más elevados.**
- **Esta máquina no es adecuada para lijado húmedo.**
- **Fije la pieza de trabajo. Una pieza de trabajo sujeta mediante dispositivos de sujeción o una prensa se sostiene mejor que a mano.**
- **Verifique que el papel de lija no haga contacto con la pieza de trabajo antes de que el interruptor oscilante on/off (encendido/apagado) se encuentre en la posición ON.**
- **No deje la herramienta en funcionamiento. Utilice la herramienta sólo cuando la sostenga con sus manos.**

DESCRIPCIÓN

CONOZCA SU LIJADORA DE HOJA (Fig. 1)



ESPECIFICACIÓN DE PRODUCTO

| | |
|---------------------|---------------------------|
| Entrada | 120V, 60Hz, AC, 2.0 Amps |
| Velocidad sin carga | 14000 OPM |
| Tamaño de papel | 1/4 de hoja |
| Tipo de papel | Papel de lija no adhesivo |
| Clase de protección | II |

⚠ WARNING: El uso seguro de este producto requiere una comprensión de la información incluida en la herramienta y en este manual del propietario, además del conocimiento del proyecto que está iniciando. Antes de usar este producto, familiarícese con todas las características de operación y normas de seguridad.

ORBITAL ALEATORIO

El movimiento orbital es ideal para una acción de corte rápido cuando remueve acabados antiguos, suaviza madera áspera, recorta material para alcanzar las dimensiones requeridas o para finalizar superficies para pintar. El papel de lija se mueve en círculos pequeños a una velocidad muy alta, lo que permite que la lijadora se desplace fácilmente.

BOLSA PARA POLVILLO

Utilice la bolsa para polvillo del espacio de lijado a fin de mantener limpia el área de trabajo.

ADAPTADOR DE VACÍO

El adaptador de vacío incorporado le permite conectar una manguera de vacío de un diámetro de 1-1/4 pulg. o 2-1/4 pulg. para poder mantener limpia el área de trabajo.

INTERRUPTOR OSCILANTE DE ENCENDIDO/APAGADO

El interruptor oscilante de encendido/apagado (on/off) se encuentra ubicado en un lugar conveniente para un mejor control y está sellado para evitar el ingreso de polvillo, lo que prolonga la vida útil de la herramienta.

ABRAZADERA DE PAPEL

La lijadora cuenta con dos abrazaderas de papel diseñadas para fijar papel estándar a la platina.

PERFORADORA DE PAPEL

La perforadora de papel puede utilizarse para perforar orificios en papeles de lija, a fin de que el material lijado pase a través de la lijadora e ingrese a la caja para polvillo o a través de una aspiradora.

MONTAJE

⚠ ADVERTENCIA: Si falta alguna pieza o si alguna pieza está rota, no trate de enchufar el cable de energía u operar la perforadora/atornilladora hasta que se reemplacen las piezas faltantes o rotas. No hacerlo puede provocar una lesión personal grave.

⚠ ADVERTENCIA: No trate de modificar esta perforadora/atornilladora o crear accesorios no recomendados para usar con esta herramienta. Cualquier alteración o modificación constituye un uso indebido y podría provocar una condición peligrosa y posibles lesiones graves.

⚠ ADVERTENCIA: Para prevenir un arranque accidental que podría provocar lesiones personales graves, siempre desconecte el paquete de baterías de la perforadora/atornilladora cuando cambie las brocas.

DESEMPAQUE

Este producto se ha enviado ensamblado por completo, con excepción del papel de lija y la bolsa para polvillo, que se incluyen en la caja.

- Con cuidado, quite la herramienta y los accesorios de la caja. Asegúrese de que todos los elementos listados en el paquete estén incluidos.
- Inspeccione la herramienta con detenimiento para constatar que no hayan ocurrido roturas o daños durante el envío.
- No descarte el material de empaque hasta que haya inspeccionado la herramienta con cuidado y la haya utilizado satisfactoriamente.
- Si falta alguna pieza o alguna pieza se encuentra rota, devuelva la herramienta al lugar de compra.

LISTA DE EMPAQUE

Lijadora de 1/4 de hoja, 3 papel de lija (60,120,220 grano), bolsa para polvillo, perforadora de papel y manual del propietario.

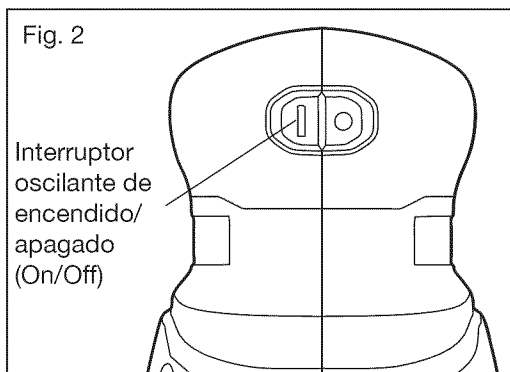
OPERACIÓN

⚠ ADVERTENCIA: Para evitar un arranque accidental que podría provocar lesiones personales graves, siempre desconecte la lijadora de la fuente de energía cuando coloque piezas, realice ajustes, instale o quite el papel de lija, efectúe la limpieza o cuando no la esté utilizando.

ENCENDER/ APAGARLA LA LIJADORA (Fig. 2)

Para encender la lijadora, conecte el enchufe a un tomacorriente y luego presione el lado del interruptor oscilante marcado como "I".

Para apagarla, presione el lado del interruptor oscilante marcado como "O".



CÓMO COLOCAR EL PAPEL DE LIJA

⚠ ADVERTENCIA: Siempre inspeccione el papel de lija antes de colocarlo. No lo utilice si se encuentra roto, gastado o defectuoso. El papel de lija no adhesivo se sujeta a la parte frontal y trasera de la platina.

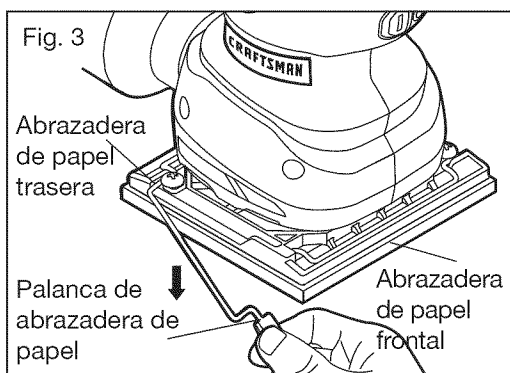
1. Desconecte la lijadora de la fuente de energía.

⚠ ADVERTENCIA: No desenchufar la lijadora puede generar un accionamiento accidental, lo que puede provocar lesiones graves.

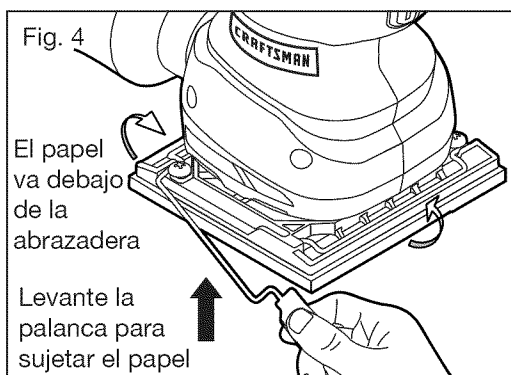
2. Quite el polvillo o desechos de la placa base.

3. Las palancas de la abrazadera de papel se encuentran sobre ambos lados de la lijadora y se traban en las ranuras ubicadas en la parte superior de la platina.

4. Levante las dos palancas hacia "arriba" y quítelas de las ranuras de la platina. Esto liberará la tensión sobre las abrazaderas de papel que sostienen el papel en su posición sobre el lado inferior de la platina (Fig.3).



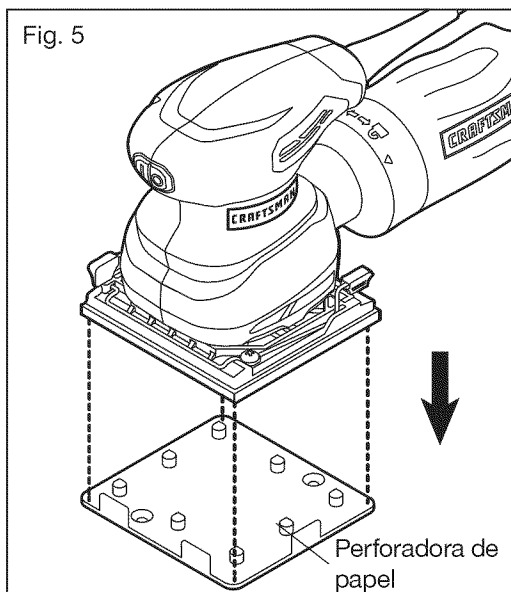
5. Introduzca el extremo frontal del papel de lija a aproximadamente 1/2 pulg. debajo de la abrazadera de papel frontal.
6. Levante la palanca que controla la abrazadera de papel frontal y trábela de vuelta en la ranura de la platina. Esto fijará bien el papel al frente de la platina.
7. Alise el papel de lija presionándolo con fuerza contra la parte inferior de la platina (frente a parte trasera).
8. Introduzca el extremo trasero del papel de lija dentro de la abrazadera de papel trasera, coloque el papel de lija lo más firmemente posible y levante la palanca de la abrazadera trasera para trabarla en su lugar. Esto fijará bien el papel a la parte trasera de la platina. El papel de lija debería ahora estar posicionado firmemente contra la parte inferior de la platina de adelante hacia atrás y bien trabado en su lugar (Fig. 4).



PERFORADORA DE PAPEL

La lijadora cuenta con una perforadora de papel para que usted pueda perforar orificios alineados correctamente en el papel de lija. Esto se hace después de haber instalado el papel en la lijadora.

Para perforar orificios, alinee los lados frontal y lateral de la lijadora sobre la perforadora de papel como se indica en la Fig. 5, luego baje la lijadora sobre la plantilla de perforación mientras ejerce presión. Verifique que los orificios estén perforados por completo a través del papel y limpie los orificios de la platina de la lijadora.



AVISO: Perforar los orificios en forma correcta es un paso necesario para que el sistema de recolección de polvillo funcione correctamente.

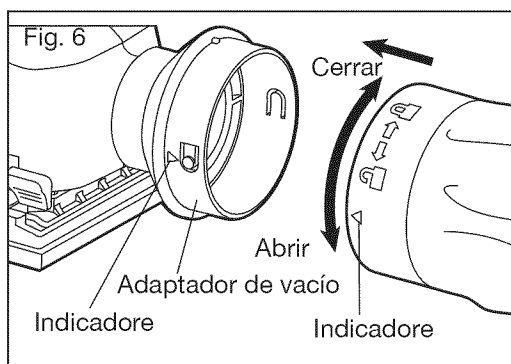
BOLSA PARA POLVILLO

⚠ ADVERTENCIA: No utilice la bolsa para polvillo cuando lije metal. Utilizar la bolsa para polvillo cuando lija metal provoca un riesgo de incendio, lo que podría dañar la herramienta y generar lesiones personales graves.

La lijadora de hora cuenta con una bolsa para polvillo para ayudarlo a mantener el área de trabajo limpia. La bolsa para polvillo es ideal para trabajos más pequeños.

Para instalar:

1. Desconecte la lijadora de la fuente de energía
2. Alinee los indicadores del adaptador de recolección de polvillo y la bolsa para polvillo.
3. Deslice la bolsa para polvillo hacia adelante y presiónela sobre el adaptador y luego gire la bolsa en sentido de las agujas del reloj para trazarla en su lugar (Fig. 6).



NOTA: De tanto en tanto, limpie el puerto de extracción de polvillo con un cepillo seco.

Para quitar:

1. Desconecte la lijadora de la fuente de energía
2. Tome la bolsa para polvillo firmemente, gírela en sentido contrario a las agujas del reloj y quítela de la herramienta (Fig. 6).

AVISO: Para períodos de uso más prolongados, o piezas de trabajo más grandes, se recomienda el uso de una aspiradora de limpieza adecuada. Coloque una manguera de vacío de 1-1/4 o 2-1/4 pulg. húmeda/seca al puerto de extracción de polvillo. Se recomienda el uso de una máscara para polvillo, ya que puede haber partículas residuales de polvillo en el aire.

⚠ ADVERTENCIA: El polvillo que se produce durante el lijado puede ser perjudicial para la salud, inflamable o explosivo. Se requieren medidas de seguridad adecuadas. Ejemplos: Algunas clases de polvillo pueden provocar cáncer. Siempre use una máscara para polvillo y utilice el método adecuado de recolección de polvillo: La caja para polvillo para un volumen pequeño y la conexión de vacío para una recolección de polvillo de un volumen mayor.

CÓMO ELEGIR EL GRANO CORRECTO DE PAPEL DE LIJA

Pueden adquirirse diferentes grados de papel de lija en la tienda donde compró la herramienta. Los grados disponibles son: Grueso, medio y fino.

Puede comprar papel de lija de diferentes granos desde la tienda, igualmente la tienda comprar herramientas. Granos de la disponibilidad: Grueso, Medio y Fino.

Utilice un grano grueso para lijar trabajos ásperos, un grano medio para alisar el trabajo y un grano fino para el acabado final.

Es mejor realizar una prueba sobre una pieza de material de descarte para determinar los grados óptimos de papel de lija para un trabajo determinado.

LIJADO

Esta lijadora puede utilizarse en la mayoría de las operaciones de lijado sobre materiales como madera, plástico, metal y superficies pintadas. Esta lijadora es adecuada para lijado húmedo.

⚠ ADVERTENCIA: No toque las ventilaciones de la lijadora después de un uso prolongado; la caja de engranajes podría estar muy caliente.

⚠ ADVERTENCIA: Utilice gafas de seguridad, máscara para polvillo y protección auditiva.

⚠ PRECAUCIÓN: Sujete la pieza de trabajo para que no se mueva durante el funcionamiento. Una pieza de trabajo que no se sujete puede ser arrojada hacia el operador, provocando lesiones.

1. Conectar la lijadora a la fuente de energía.

⚠ ADVERTENCIA: Antes de conectar la lijadora a la fuente de energía, siempre verifique que el interruptor se encuentre en la posición OFF (apagado) (O). No hacerlo puede generar un accionamiento accidental de la lijadora, lo que puede provocar lesiones graves.

2. Encienda la lijadora.

⚠ ADVERTENCIA: Mantenga su cabeza alejada de la lijadora y del área de lijado. Su cabello podría engancharse con la lijadora, provocando lesiones graves.

3. Coloque la lijadora sobre la pieza de trabajo de modo que el papel de lija esté en contacto total con la pieza de trabajo.

4. Para mejores resultados de lijado, ejerza una presión ligera sobre la lijadora, pero no fuerce la herramienta.

AVISO: Ejercer una presión adicional sólo disminuye la velocidad del motor, desgasta el papel más rápidamente y reduce mucho la velocidad de la lijadora. Una presión excesiva sobrecarga el motor, lo que posiblemente dañe el motor por sobrecalentamiento y genere un trabajo inferior.

- Desplace la lijadora lentamente por la pieza de trabajo, realizando pasadas sucesivas en líneas paralelas, o movimientos en diagonal. La velocidad de remoción y el patrón de lijado están determinados por la elección del papel de lija y la superficie de trabajo.
- No deje la lijadora en un lugar determinado por demasiado tiempo, ya que la acción rápida de la lijadora puede remover demasiado material y dejar despareja la superficie.
- Al terminar la operación de lijado, quite la lijadora de la pieza de trabajo, apague la lijadora y espere hasta que se detenga por completo antes de depositarla en una superficie.
- Realizar una operación de lijado por períodos prolongados puede sobrecalentar el motor. Si esto ocurre, quite la lijadora de la pieza de trabajo y apáguela. Espere a que la lijadora se detenga por completo antes de depositarla en una superficie. Quite el papel de lija y, sin obstruir el área de ventilación con su mano, encienda la lijadora y déjela funcionar sin una carga para enfriar el motor.

MONTAJE

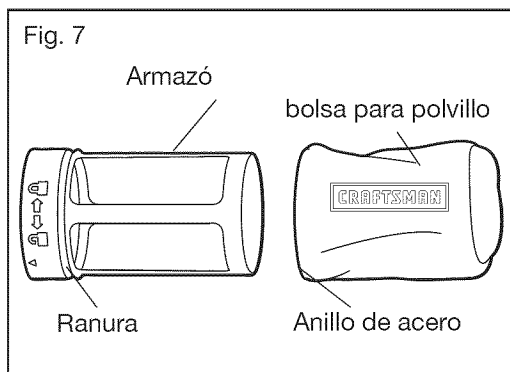
⚠ ADVERTENCIA: Para evitar una lesión personal grave, siempre quite el paquete de baterías de la herramienta cuando la limpie o realice alguna clase de mantenimiento.

⚠ ADVERTENCIA: Siempre utilice gafas de seguridad con protecciones laterales cuando utilice aire comprimido para limpiar la herramienta. Si durante la operación se genera mucho polvillo, también use una máscara antipolvillo.

CÓMO LIMPIAR LA BOLSA PARA POLVILLO (Fig. 7)

Para lograr un funcionamiento más eficiente, vacíe la bolsa para polvillo cuando no haya pasado la mitad de su capacidad. Esto permitirá que el aire fluya mejor a través de la bolsa.

Siempre vacíe y limpie bien la bolsa para polvillo cuando haya finalizado el lijado y antes de guardar la lijadora.



Para vaciar la bolsa para polvillo

- Desenchufe la lijadora.
- Quite la bolsa para polvillo de la lijadora y elimine el polvillo.

3. Para lograr una mejor limpieza de la bolsa para polvillo, quite la bolsa del armazón y luego sacuda el polvillo (Fig. 7).
4. Use un cepillo suave para limpiar el armazón.
5. Vuelva a colocar la bolsa para polvillo en el armazón e instale en la lijadora.

AVISO: Cuando vuelva a colocar la bolsa para polvillo sobre el armazón, verifique que el anillo de acero de la bolsa se trabaje dentro de la ranura del armazón.

⚠ ADVERTENCIA: El polvillo generado por el lijado de superficies con revestimientos tales como poliuretanos, aceite de linaza, etc. puede encenderse en el interior de la bolsa para polvillo o en otro sitio y provocar un incendio. Para reducir el riesgo de incendio, siempre vacíe la bolsa para polvillo en forma frecuente mientras realiza el lijado y nunca almacene o guarde la lijadora sin haber vaciado por completo la bolsa para polvillo. También siga las recomendaciones del fabricante de revestimientos.

MANTENIMIENTO GENERAL

Evite usar solventes cuando limpie piezas plásticas. La mayoría de los plásticos son susceptibles a daños por parte de varios tipos de solventes comerciales y pueden dañarse por su uso. Utilice paños para quitar suciedad, polvillo, aceite, grasa, etc.

⚠ ADVERTENCIA: No permita bajo ninguna circunstancia que líquido de frenos, gasolina, productos a base de petróleo, aceites penetrantes, etc. entren en contacto con las piezas plásticas. Los químicos pueden dañar, debilitar o destruir el plástico, lo que puede provocar una lesión personal grave.

⚠ ADVERTENCIA: Cuando realice un mantenimiento, sólo utilice piezas de repuesto idénticas. El uso de otras piezas puede generar un riesgo o provocar daños al producto. Para garantizar la seguridad y la confiabilidad, todas las reparaciones deben ser efectuadas por un técnico calificado.

IDENTIFICACIÓN Y SOLUCIÓN DE PROBLEMAS

| PROBLEMA | CAUSA | SOLUCIÓN |
|---|--|---|
| La lijadora no funciona | La lijadora no se encuentra enchufada en una fuente de energía | Enchufa la lijadora al suministro eléctrico |
| Lijado con resultado poco satisfactorio | El papel se lija está gastado | Coloque papel de lija nuevo |
| | El papel de lija no es el adecuado para la pieza de trabajo | Utilice el papel de lija correcto |

NOTICE

CRAFTSMAN®

Product questions or problems?

1-888-331-4569

Customer Care Hot Line

**Get answers to questions, troubleshoot problems,
order parts, or schedule repair service.**

Para respuestas a preguntas o problemas, y ordenar
piezas o pedir servicio para la reparación de su equipo.

To help us help you, register your product at www.craftsman.com/registration

Para poderte ayudar mejor, registra tu producto en www.craftsman.com/registration

Join the Craftsman Club today!

CRAFTSMAN® CLUB

www.craftsman.com/signup

**Receive exclusive member benefits including special pricing and offers,
project sharing, expert advice, and SHOP YOUR WAY REWARDS!**

Como miembro exclusivo, recibe diversos beneficios como ofertas, precios especiales, proyectos nuevos, consejos de expertos y nuestro programa de puntos SHOP YOUR WAY REWARDS!