

Operator's Manual



4 x 36" Belt

6" Disc

SANDER

Model No.

351.215140



CAUTION: Read and follow all Safety Rules and Operating Instructions before First Use of this Product. Keep this manual with tool.

Sears, Roebuck and Co., Hoffman Estates, IL 60179 U.S.A.

www.sears.com/craftsman

23650.03 Draft (04/27/07)

SAFETY

ASSEMBLY

OPERATION

MAINTENANCE

PARTS LIST

ESPAÑOL

TABLE OF CONTENTS

Warranty	2
Safety Rules	2-3
Unpacking	3
Assembly	3-4
Installation	4-5
Operation	5-8
Maintenance	8-9
Troubleshooting	9
Parts Illustration and List	10-13
Español	14-22

WARRANTY

ONE-YEAR FULL WARRANTY ON CRAFTSMAN TOOL

If this Craftsman tool fails due to a defect in material or workmanship within one year from the date of purchase, call 1-800-4-MY-HOME® TO ARRANGE FOR FREE REPAIR (or replacement if repair proves impossible). This warranty does not include expendable parts, such as lamps, batteries, bits or blades.

If this tool is ever used for commercial or rental purposes, this warranty will apply for only 90 days from the date of purchase.

This warranty gives you specific legal rights and you may also have other rights which vary from state to state.

Sears, Roebuck and Co., Hoffman Estates, IL 60179

SAFETY RULES

WARNING: For your own safety, read all of the instructions and precautions before operating tool.

WARNING: Some dust created by power sanding, sawing, grinding, drilling and other construction activities contains chemicals known to cause cancer, birth defects or other reproductive harm.

Some examples of these chemicals are:

- Lead from lead-based paints.
- Crystalline silica from bricks and cement and other masonry products.
- Arsenic and chromium from chemically-treated lumber.

Your risk from these exposures vary, depending on how often you do this type of work. To reduce your exposure to these chemicals: work in a well ventilated area and work with approved safety equipment. Always wear **OSHA/NIOSH** approved, properly fitting face mask or respirator when using such tools.

CAUTION: Always follow proper operating procedures as defined in this manual even if you are familiar with use of this or similar tools. Remember that being careless for even a fraction of a second can result in severe personal injury.

BE PREPARED FOR JOB

- Wear proper apparel. Do not wear loose clothing, gloves, neckties, rings, bracelets or other jewelry which may get caught in moving parts of machine.
- Wear protective hair covering to contain long hair.
- Wear safety shoes with non-slip soles.

- Wear safety glasses complying with United States ANSI Z87.1. Everyday glasses have only impact resistant lenses. They are **NOT** safety glasses.
- Wear face mask or dust mask if operation is dusty.
- Be alert and think clearly. Never operate power tools when tired, intoxicated or when taking medications that cause drowsiness.

PREPARE WORK AREA FOR JOB

- Keep work area clean. Cluttered work areas invite accidents.
- Do not use power tools in dangerous environments. Do not use power tools in damp or wet locations. Do not expose power tools to rain.
- Work area should be properly lighted.
- Proper electrical receptacle should be available for tool. Three-prong plug should be plugged directly into properly grounded, three-prong receptacle.
- Extension cords should have a grounding prong and the three wires of the extension cord should be of the correct gauge.
- Keep visitors at a safe distance from work area.
- Keep children out of workplace. Make workshop childproof. Use padlocks, master switches or remove switch keys to prevent any unintentional use of power tools.

TOOL SHOULD BE MAINTAINED

- Always unplug tool prior to inspection.
- Consult manual for specific maintaining and adjusting procedures.
- Keep tool lubricated and clean for safest operation.
- Remove adjusting tools. Form habit of checking to see that adjusting tools are removed before switching machine on.
- Keep all parts in working order. Check to determine that the guard or other parts will operate properly and perform their intended function.
- Check for damaged parts. Check for alignment of moving parts, binding, breakage, mounting and any other condition that may affect a tool's operation.
- A guard or other part that is damaged should be properly repaired or replaced. Do not perform makeshift repairs. (Use parts list provided to order replacement parts.)

KNOW HOW TO USE TOOL

- Use right tool for job. Do not force tool or attachment to do a job for which it was not designed.
- Disconnect tool when changing belt or abrasive disc.
- Avoid accidental start-up. Make sure that the tool is in the "OFF" position before plugging in.
- Do not force tool. It will work most efficiently at the rate for which it was designed.
- Keep hands away from moving parts and sanding surfaces.
- Never leave tool running unattended. Turn the power off and do not leave tool until it comes to a complete stop.
- Do not overreach. Keep proper footing and balance.
- Never stand on tool. Serious injury could occur if tool is tipped or if belt or disc are unintentionally contacted.
- Know your tool. Learn the tool's operation, application and specific limitations.
- Use recommended accessories (refer to page 13). Use of improper accessories may cause risk of injury to persons.
- Handle the workpiece correctly. Protect hands from possible injury.

- Turn machine off if it jams. Belt jams when it digs too deeply into workpiece. (Motor force keeps it stuck in the work.)
- Support workpiece with miter gauge, belt platen or work table.
- Maintain $\frac{1}{16}$ " maximum clearance between table and sanding belt or disc.

CAUTION: Think safety! Safety is a combination of operator common sense and alertness at all times when tool is being used.

WARNING: Do not attempt to operate tool until it is completely assembled according to the instructions.

UNPACKING

Refer to Figure 1.

Check for shipping damage. If damage has occurred, a claim must be filled with carrier. Check for completeness. Immediately report missing parts to dealer.

The sander comes assembled as one unit. Additional parts which need to be fastened to sander, should be located and accounted for before assembling.

- A Sander
- B Miter Gauge Assembly
- C Back Stop
- D Table
- E Stud
- F Handle with Washer

Not Shown: Abrasive Disc, Knob (2), Foot (4), Mounting Bracket (4), M6 x 16 Socket Head Bolt (2), M6 x 16 Hex Head Bolt (4), M6 Lock Washer (2), M6 Flat Washer (6), M6 Hex Nut (4), 3 and 5mm Hex Wrench and 13mm Open End Wrench.

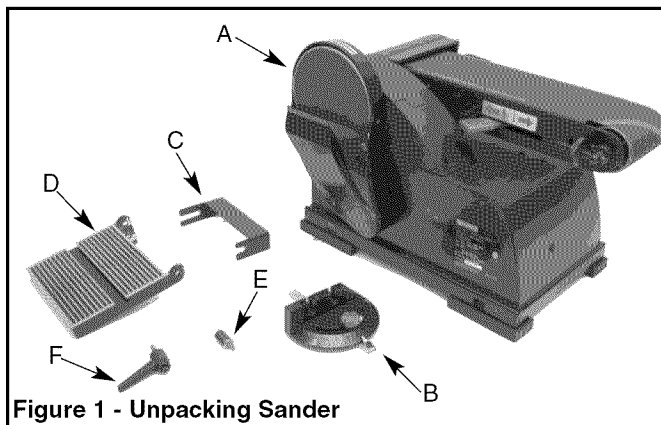


Figure 1 - Unpacking Sander

ASSEMBLY

Refer to Figures 2 - 6.

CAUTION: Do not attempt assembly if parts are missing. Use this manual to order replacement parts.

WARNING: Do not operate machine until completely assembled. Do not operate machine until you have completely read and understood this manual.

TOOLS NEEDED

While assembling or adjusting your belt and disc sander, you will need the following tools:

- 13mm Wrench
- 3 and 5mm Hex Wrenches

- Combination Square
- Phillips Screwdriver

MOUNT SANDER

Refer to Figures 2 and 3.

Choose a suitable location to mount the sander. The sander must be installed in a place with ample lighting and correct power supply. To install sander:

- The sander must be bolted to a firm, level surface.
- Make sure there is plenty of room for moving the workpiece. There must be enough room that neither operators nor bystanders will have to stand in line with the wood while using the tool. Allow room so that belt assembly can be positioned horizontally.
- Press a foot onto each corner of the base of the sander.
- Sander can be installed on a workbench or a tool stand (see Recommended Accessories, page 13) using bolts, lock washers and hex nuts, and mounting brackets.

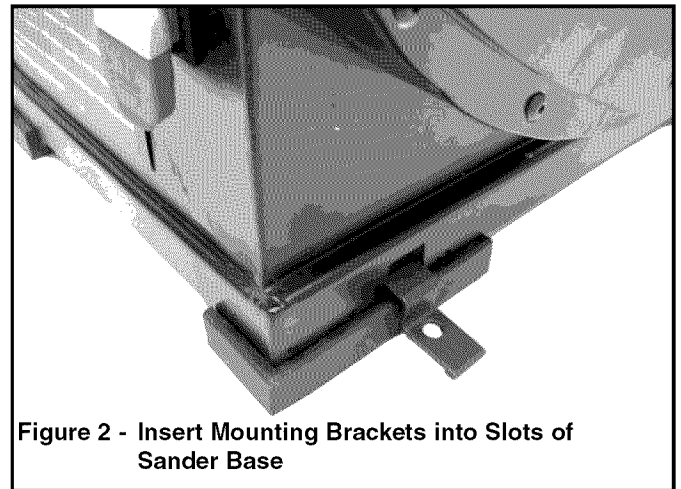


Figure 2 - Insert Mounting Brackets into Slots of Sander Base

- Figure 3 shows the base dimensions, mounting holes and required space to allow for table assembly and belt assembly in horizontal position.

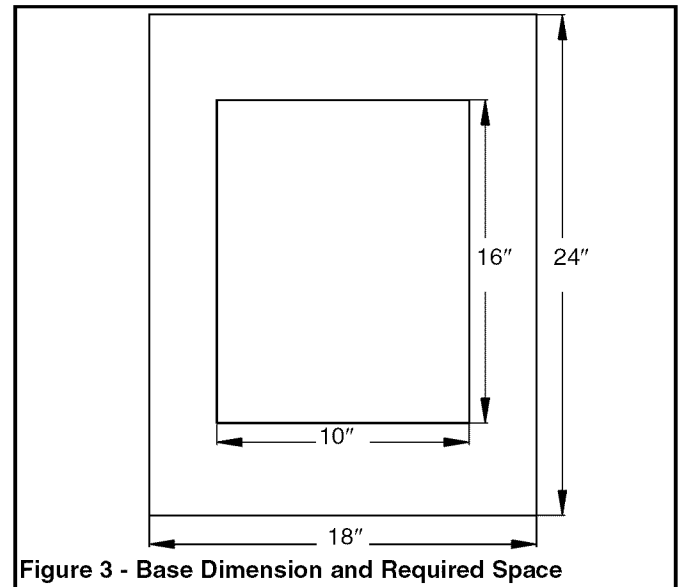


Figure 3 - Base Dimension and Required Space

ATTACH ABRASIVE DISC.

Refer to Figure 4, page 4.

- Remove disc cover by loosening and removing four screws.
- Peel protective paper from the back of the abrasive disc.

- Center the abrasive disc onto the aluminum disc and press on firmly and evenly.
- Replace disc cover.

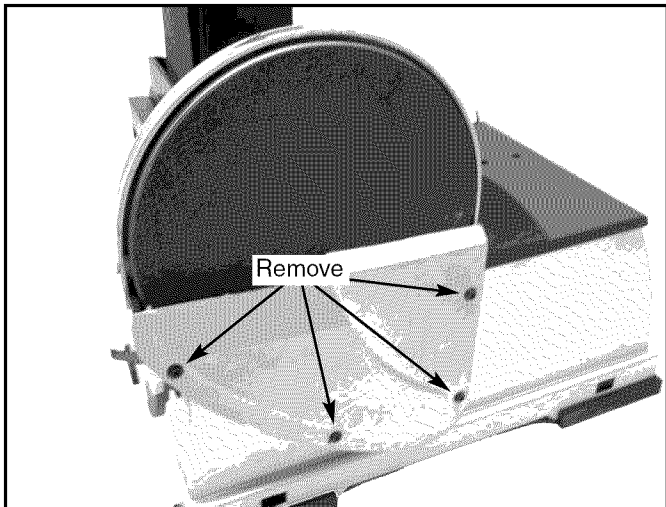


Figure 4 - Remove Cover and Attach Abrasive Disc

ATTACH TABLE

Refer to Figures 5 and 6.

The included table is used with both the disc and belt. To use the table with the disc:

- Position table on disc guard and attach using knobs.
- Thread locking handle through table and into disc guard.
- Using a combination square, set the table perpendicular to the disc, and secure in position. If necessary, set pointer at 0°.

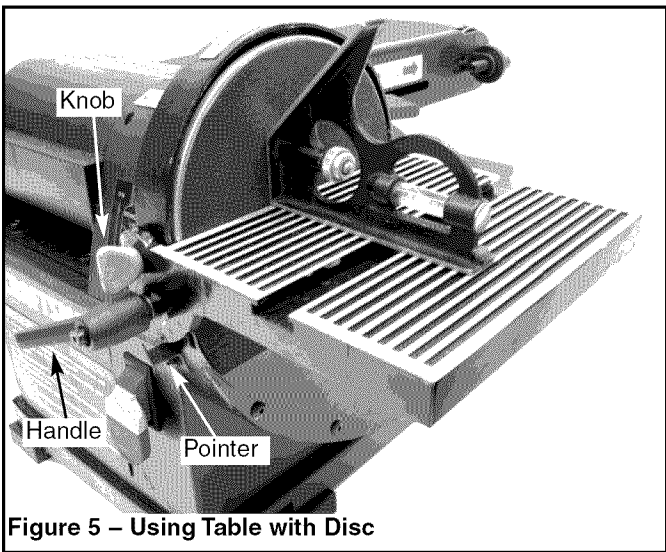


Figure 5 – Using Table with Disc

To use the table with the belt:

- Thread stud into belt housing.
- Position table over stud and bracket. Secure table using two knobs.
- Thread locking handle through table into bracket.
- Using a combination square, set the table perpendicular to the belt and secure in position. If necessary, set pointer at 0°.

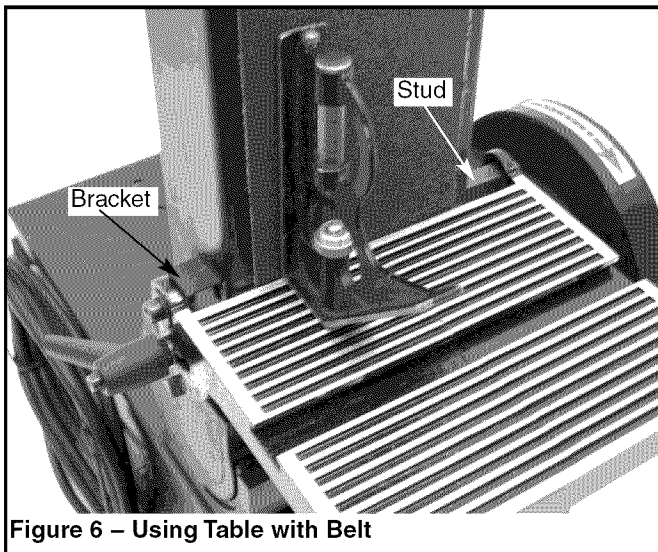


Figure 6 – Using Table with Belt

INSTALLATION

Refer to Figures 7, 8 and 9, pages 4 and 5.

POWER SOURCE

WARNING: Do not connect sander to the power source until all assembly steps have been completed.

The motor is designed for operation on the voltage and frequency specified. Normal loads will be handled safely on voltages not more than 10% above or below specified voltage. Running the unit on voltages which are not within range may cause overheating and motor burn-out. Heavy loads require that voltage at motor terminals be no less than the voltage specified on nameplate.

- Power supply to the motor is controlled by a single pole locking rocker switch. Remove the key to prevent unauthorized use.

GROUNDING INSTRUCTIONS

WARNING: Improper connection of equipment grounding conductor can result in the risk of electrical shock. Equipment should be grounded while in use to protect operator from electrical shock.

- Check with a qualified electrician if grounding instructions are not understood or if in doubt as to whether the tool is properly grounded.
- This tool is equipped with an approved 3-conductor cord rated at 150V and a 3-prong grounding type plug (Figure 7) for your protection against shock hazards.
- Grounding plug should be plugged directly into a properly installed and grounded 3-prong grounding-type receptacle, as shown (Figure 7).

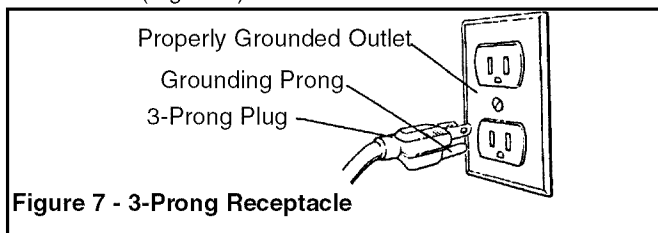


Figure 7 - 3-Prong Receptacle

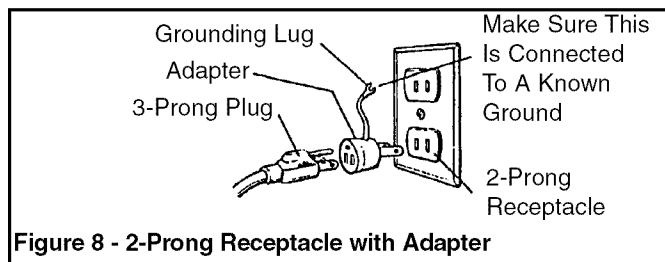
- Do not remove or alter grounding prong in any manner. In the event of a malfunction or breakdown, grounding provides a path of least resistance for electrical shock.

WARNING: Do not permit fingers to touch the terminals of plug when installing or removing from outlet.

- Plug must be plugged into matching outlet that is properly installed and grounded in accordance with all local codes and ordinances. Do not modify plug provided. If it will not fit in outlet, have proper outlet installed by a qualified electrician.
- Inspect tool cords periodically, and if damaged, have repaired by an authorized service facility.
- Green (or green and yellow) conductor in cord is the grounding wire. If repair or replacement of the electric cord or plug is necessary, do not connect the green (or green and yellow) wire to a live terminal.
- Where a 2-prong wall receptacle is encountered, it must be replaced with a properly grounded 3-prong receptacle installed in accordance with National Electric Code and local codes and ordinances.

WARNING: This work should be performed by a qualified electrician.

A temporary 3-prong to 2-prong grounding adapter (see Figure 8) is available for connecting plugs to a two pole outlet if it is properly grounded.



- Do not use a 3-prong to 2-prong grounding adapter unless permitted by local and national codes and ordinances.

(A 3-prong to 2-prong grounding adapter is not permitted in Canada.) Where permitted, the rigid green tab or terminal on the side of the adapter must be securely connected to a permanent electrical ground such as a properly grounded water pipe, a properly grounded outlet box or a properly grounded wire system.

- Many cover plate screws, water pipes and outlet boxes are not properly grounded. To ensure proper ground, grounding means must be tested by a qualified electrician.

EXTENSION CORDS

- The use of any extension cord will cause some drop in voltage and loss of power.
- Wires of the extension cord must be of sufficient size to carry the current and maintain adequate voltage.
- Use the table to determine the minimum wire size (A.W.G.) extension cord.
- Use only 3-wire extension cords having 3-prong grounding type plugs and 3-pole receptacles which accept the tool plug.
- If the extension cord is worn, cut, or damaged in any way, replace it immediately.

Extension Cord Length

Wire Size	A.W.G.
Up to 25 ft.	18
25 to 50 ft.	16

NOTE: Using extension cords over 50 ft. long is not recommended.

MOTOR

The sander is assembled with motor and wiring installed. The electrical wiring schematic is shown in Figure 7.

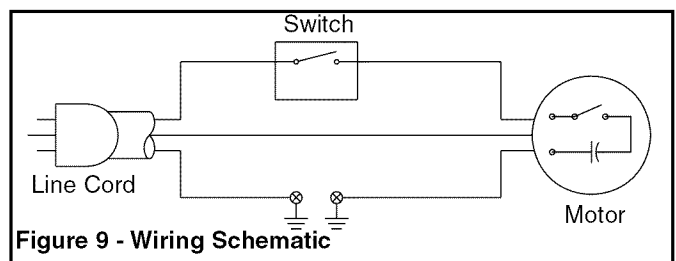
MOTOR SPECIFICATIONS:

Horsepower (Continuous Duty).....	1/3
Voltage	120
Amp.	3.4
Hertz	60
Phase	Single
RPM.....	1700

ELECTRICAL CONNECTIONS

WARNING: All electrical connections must be performed by a qualified electrician. Make sure tool is off and disconnected from power source while motor is mounted, connected, reconnected or anytime wiring is inspected.

Motor and wires are installed as shown in wiring schematic (See Figure 9). Motor is assembled with approved, 3-conductor cord to be used at 120 volts.



The power lines are inserted directly onto the switch. The green ground line must remain securely fastened to the frame to properly protect against electrical shock. The power supply to the motor is controlled by a single pole locking rocker switch.

- Remove the key to prevent unauthorized use.

OPERATION

Refer to Figures 10 - 17.

DESCRIPTION

The Craftsman Belt and Disc Sander is constructed of rugged die cast aluminum and cast iron providing stability and vibration-free operation. The belt and disc are used to sand, deburr, bevel and grind large workpieces of wood and plastic.

The belt housing can be pivoted from vertical to horizontal for sanding large, straight workpieces. The idler drum permits the sanding of contoured shapes and finishes. The disc can be used to sand or bevel surfaces.

Sander has a 2" dust port that collects dust from both belt and disc

The adjustable miter gauge is used on the work table for guiding the workpiece at a desired angle while sanding. Back stop included for sanding long pieces on the belt.

OPERATION

SPECIFICATIONS

Belt size	4 x 36"
Belt platen area	5 x 9"
Belt speed	1100 FPM
Disc diameter	6"
Disc speed	2200 RPM
Table dimensions	5½ x 7"
Table tilts	0 to 45°
Dust port diameter	2"
Base dimensions	10 x 16"
Switch	SP, Locking rocker
Weight	43 lbs

WARNING: Operation of any power tool can result in foreign objects being thrown into the eyes, which can result in severe eye damage. Always wear safety goggles complying with United States ANSI Z87.1 (shown on package) before commencing power tool operation. Safety goggles are available at Sears retail stores or catalog.

CAUTION: Always observe following safety precautions.

SAFETY PRECAUTIONS

- Whenever adjusting or replacing any parts on the tool, turn switch OFF and remove the plug from power source.
- Recheck table handle and bolts. They must be tightened securely.
- Make sure all guards are properly attached. All guards should be securely fastened.
- Make sure all moving parts are free and clear of any interference.
- Make sure all fasteners are tight and have not vibrated loose.
- With power disconnected, test operation by hand for clearance and adjust if necessary.
- Always wear eye protection or face shield.
- Make sure abrasive belt always tracks properly. Correct tracking gives optimum performance.
- After turning switch on, always allow belt and disc to come up to full speed before sanding or grinding.
- Be sure disc turns counterclockwise. Abrasive belt must travel downward.
- Avoid kickback by sanding in accordance with the directional arrows.
- Keep your hands clear of abrasive belt, disc and all moving parts.
- For optimum performance, do not stall motor or reduce speed. Do not force the work into the abrasive.
- Always support workpiece with table or back stop when sanding with belt and with table when sanding with disc.
- Never push a sharp corner of the workpiece rapidly against the belt or disc. Abrasive backing may tear.
- Replace abrasives when they become loaded (glazed) or frayed.

ON/OFF SWITCH

Refer to Figure 10.

The ON/OFF switch is located on the upper front right of the base. To turn the sander ON, pull the switch to the up position. To turn the sander OFF, push the switch to the down position.

The sander can be locked from unauthorized use by locking the switch. To lock the switch:

- Turn the switch to OFF position and disconnect sander from power source.
- Pull the key out. The switch cannot be turned on with the key removed.

NOTE: Should the key be removed from the switch at the ON position, the switch can be turned off but cannot be turned on again.

- To replace key, slide key into the slot on switch until it snaps.

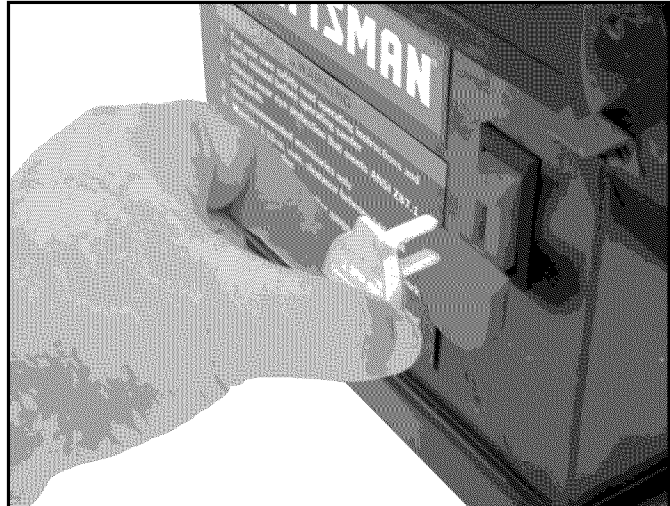


Figure 10– Locking Switch in OFF Position

ADJUSTING BELT TRACKING

Refer to Figure 11.

- Quickly turn the switch ON and OFF to check the tracking. Belt should ride centered on idler and drive drums. Adjust tracking nut as needed to center belt on drums.
- If belt moves to the left, turn tracking nut to the right. If belt moves to the right, turn tracking nut to the left.

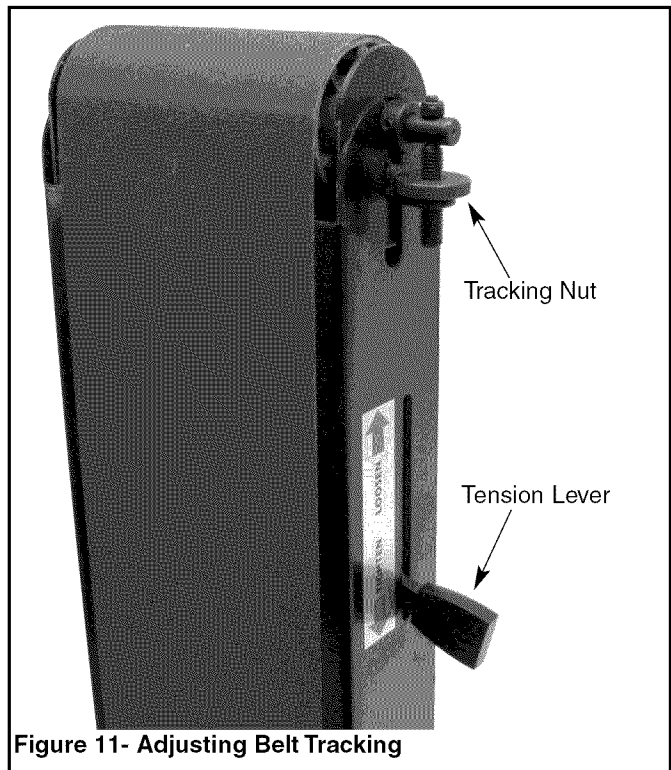


Figure 11- Adjusting Belt Tracking

- Quickly turn switch ON and OFF again. If belt moves to one side, continue adjusting tracking nut as needed to center belt on drums.

ADJUSTING BELT ASSEMBLY POSITION

Refer to Figure 12.

Sanding belt assembly can be adjusted from vertical to horizontal position, or any angle in between.

- Loosen socket head bolt that is threaded into pivot bracket.
- Tilt belt assembly to desired position. Secure belt assembly position by tightening socket head bolt in pivot bracket.
- Adjustable positive stops are provided for both horizontal and vertical positions.

NOTE: The horizontal limit stop is located on top of the base and the vertical limit stop is located beneath belt cover.

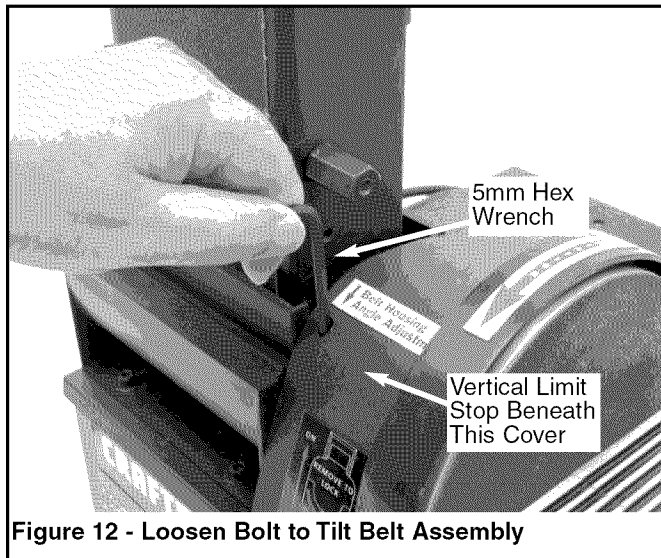


Figure 12 - Loosen Bolt to Tilt Belt Assembly

ADJUSTING TABLE ANGLE

Refer to Figure 13.

- Table is used to support workpiece when sanding on the disc or on the belt, when the belt assembly is in the vertical position.
- To adjust table angle, loosen handle, tilt table to desired position, then secure by tightening handle.

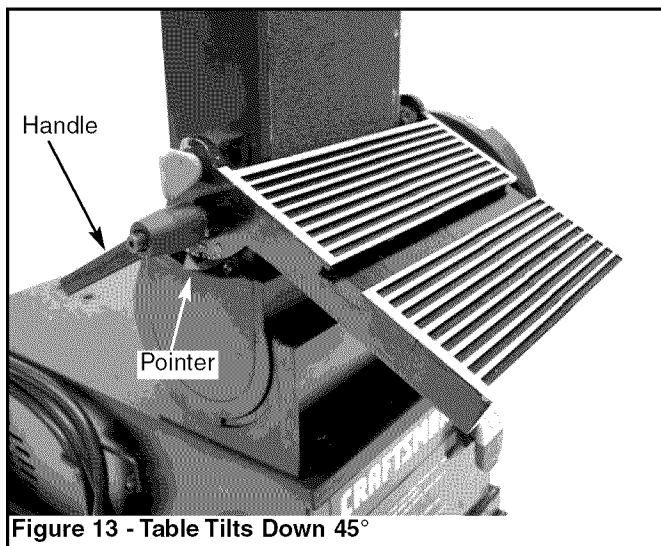


Figure 13 - Table Tilts Down 45°

HORIZONTAL BELT SANDING WITH BACK STOP

Refer to Figure 14.

Back stop supports the workpiece when sanding on the belt with the belt assembly in the horizontal position.

- Remove table and stud from belt assembly.
- Tilt belt assembly from vertical to horizontal position and secure in position.
- Mount back stop to belt assembly using the two bolts.
- Idler drum can be used as a contact drum to sand surfaces.

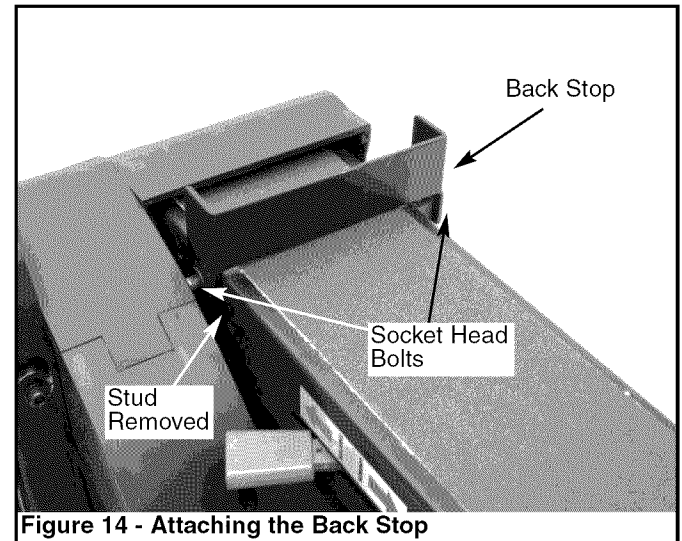


Figure 14 - Attaching the Back Stop

ABRASIVE BELT SANDING

- Finishing flat surfaces: Hold workpiece firmly with both hands; keep fingers away from abrasive belt. Use table to position and secure work being sanded. Keep end butted against table and move work evenly across abrasive belt.
- Finishing long pieces: Use belt in horizontal position with back stop. Apply only enough pressure to allow abrasive belt to remove material. Use back stop to position and secure work being sanded. Keep end butted against back stop and move work evenly across abrasive belt. Use extra caution when finishing very thin pieces.
- Finishing curved edges: Finish outside curves on flat portion of abrasive belt. Finish inside curves on idler drum portion of abrasive belt.
- Finishing end grain: It is more convenient to finish ends of long workpieces with the abrasive belt in a vertical position. Position table on belt side of sander. Move work evenly across abrasive belt. For accuracy, use miter gauge. Table may be tilted for beveled work.

ABRASIVE DISC SANDING

- Abrasive disc sanding is well suited for finishing small flat surfaces and convex edges.
- Move workpiece across down side (left) of abrasive disc. Hold workpiece firmly with both hands; keep fingers away from abrasive disc.
- Abrasive disc moves fastest and removes more material at outer edge.
- For accuracy, use miter gauge.

USING MITER GAUGE

Refer to Figure 15.

- Use the miter gauge for securing the work and holding the proper angle while sanding.
- Use a combination square to adjust miter gauge square to belt (disc). Pointer should be at zero. Loosen screw and reposition Pointer if necessary.
- After setting miter gauge square to belt (disc), adjust to desired angle by repositioning the miter gauge scale and locking it into place with knob.

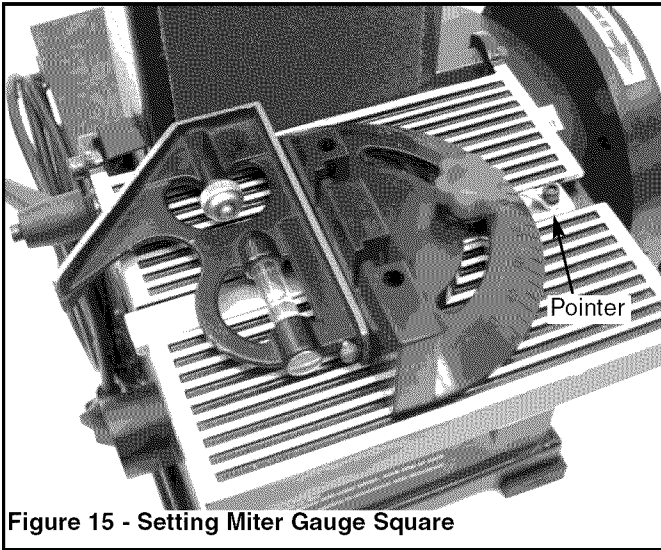


Figure 15 - Setting Miter Gauge Square

REPLACING ABRASIVE BELT

Refer to Figure 16.

- Sanding belt should be replaced when worn, torn, or glazed.
- Remove table assembly.
- Remove pointer, then slide cover up and out from dust deflector.
- Release belt tension by pushing tension lever toward idler drum. Slide old belt off the drive and idler drums.

NOTE: There may be an arrow on the inside of the belt. The arrow should point in the direction of belt travel to ensure that the splice in the belt will not come apart.

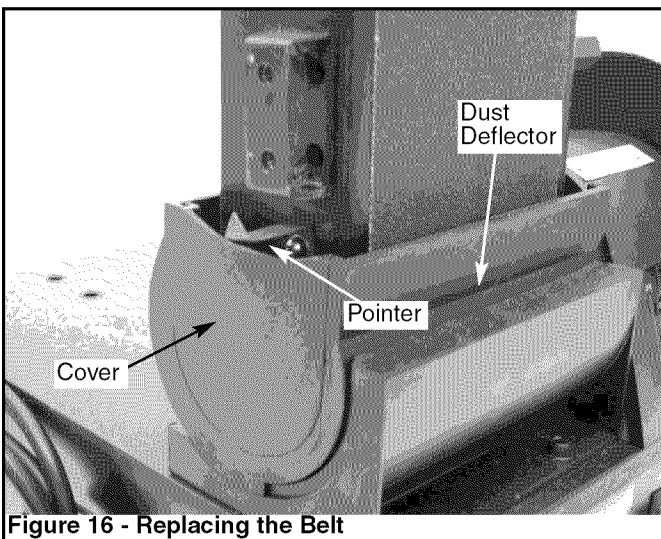


Figure 16 - Replacing the Belt

- Slide new belt over the drive and idler drums; center belt on drums.

- Additional abrasive belts are available (See Recommended Accessories, page 13).
- Push tension lever towards drive drum to tension belt.
- Check tracking. See "Adjusting Belt Tracking", page 6.
- Assemble in reverse order.

REPLACING ABRASIVE DISC

Refer to Figure 17.

- Remove table assembly.
- Remove disc cover by loosening and removing four screws.
- Remove old abrasive disc by peeling it from the aluminum disc. Removing aluminum disc is not necessary.
- Clean aluminum disc if necessary. Select the desired abrasive disc and apply to aluminum disc.
- Additional abrasive discs are available (See Recommended Accessories, page 13).
- Replace disc cover.

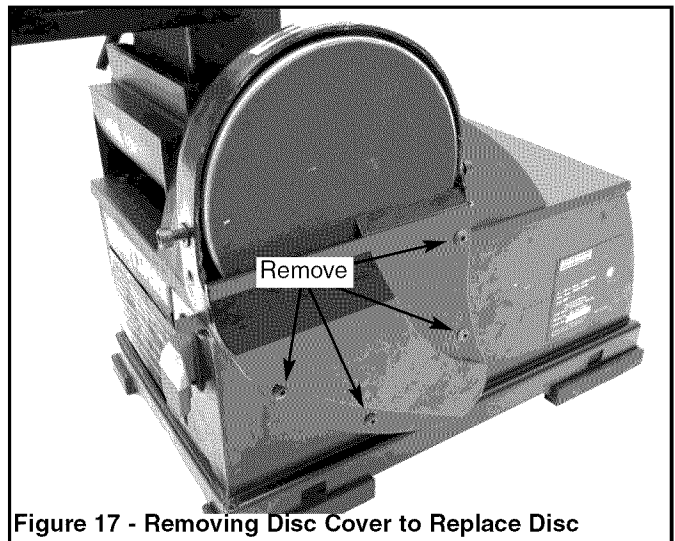


Figure 17 - Removing Disc Cover to Replace Disc

MAINTENANCE

WARNING: Make certain that the unit is disconnected from power source before attempting to service or remove any component.

CLEANING

Keep machine and workshop clean. Do not allow sawdust to accumulate on the tool. Keep the drums clean. Dirt on drums will cause poor tracking and belt slippage. Periodically empty the dust collection bag.

Be certain motor is kept clean and is frequently vacuumed free of dust.

Use soap and water to clean painted parts, rubber parts and plastic guards.

LUBRICATION

The shielded ball bearings in this tool are permanently lubricated at the factory. They require no further lubrication.

- When operation seems stiff, a light coat of paste wax applied to the table will make it easier to feed the work while finishing.
- Do not apply wax to the belt platen. Belt could pick up wax and deposit it on wheels causing belt to slip.

KEEP TOOL IN REPAIR

- If power cord is worn, cut, or damaged in any way, have it replaced immediately.
- Replace worn abrasives when needed.
- Replace any damaged or missing parts. Use parts list to order parts.

Any attempt to repair motor may create a hazard unless repair is done by a qualified service technician. Repair service is available at your nearest Sears store.

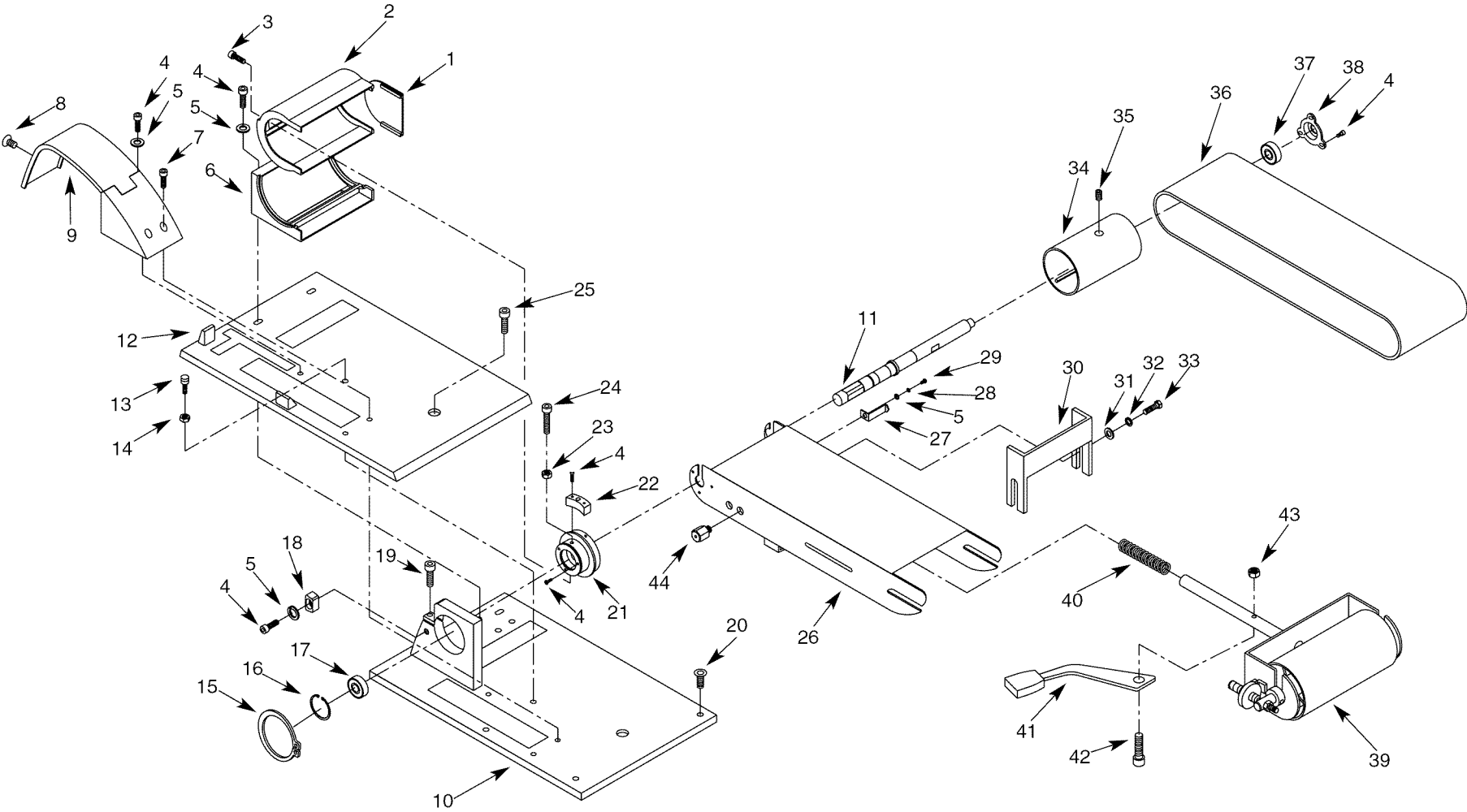
TROUBLESHOOTING

SYMPTOM	POSSIBLE CAUSE(S)	CORRECTIVE ACTION
Motor will not start	<ol style="list-style-type: none"> 1. Low voltage 2. Open circuit in motor or loose connections 3. Defective switch 4. Defective capacitor 	<ol style="list-style-type: none"> 1. Check power line for proper voltage 2. Inspect all lead connections on motor for loose or open connection 3. Replace switch 4. Replace capacitor
Motor will not start; fuses blown or circuit breakers are tripped	<ol style="list-style-type: none"> 1. Short circuit in line cord or plug 2. Short circuit in motor or loose connections 3. Incorrect fuses or circuit breakers in power line 	<ol style="list-style-type: none"> 1. Inspect line cord or plug for damaged insulation and shorted wires 2. Inspect all lead connections on motor for loose or shorted terminals or worn insulation on wires 3. Install correct fuses or circuit breakers
Motor fails to develop full power (power output of motor decreases rapidly with decrease in voltage at motor terminals)	<ol style="list-style-type: none"> 1. Power line overloaded with lights, appliances and other motors 2. Undersize wires or circuits too long 3. General overloading of power company's facilities 	<ol style="list-style-type: none"> 1. Reduce the load on the power line 2. Increase wire sizes, or reduce length of wiring 3. Request a voltage check from the power company
Motor overheats	Motor overloaded	Reduce load on motor
Motor stalls (resulting in blown fuses or tripped circuit breakers)	<ol style="list-style-type: none"> 1. Short circuit in motor or loose connections 2. Low voltage 3. Incorrect fuses or circuit breakers in power line 4. Motor overload 	<ol style="list-style-type: none"> 1. Inspect connections in motor for loose or shorted terminals or worn insulation on lead wires 2. Correct the low line voltage conditions 3. Install correct fuses or circuit breakers 4. Reduce load on motor
Machine slows down while operating	Applying too much pressure to workpiece	Ease up on pressure
Abrasive belt runs off top wheel	Not tracking properly	See operation "Adjusting Belt Tracking"

Model 351.215140

Figure 18 - Replacement Parts Illustration for Belt Housing

10



REPLACEMENT PARTS LIST FOR BELT HOUSING

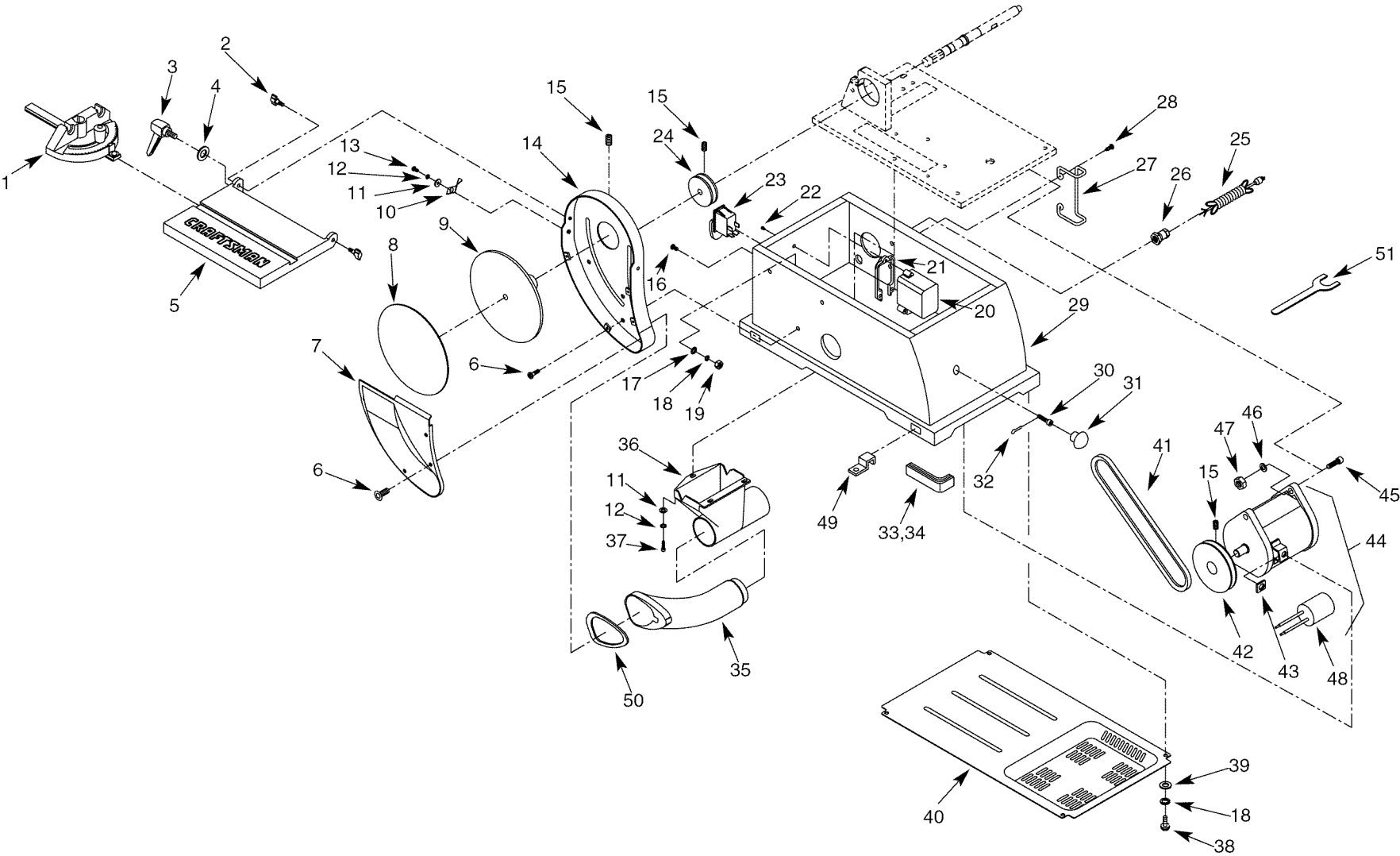
KEY NO.	PART NO.	DESCRIPTION	QTY.	KEY NO.	PART NO.	DESCRIPTION	QTY.
1	23682.00	Side Cover	1	23	STD840508	5-0.8mm Hex Nut*	1
2	23683.00	Dust Deflector	1	24	STD870516	5-0.8 × 16mm Socket Head Bolt*	2
3	08685.00	4-0.7 × 15mm Pan Head Screw	1	25	STD863510	5-0.8 × 10mm Pan Head Screw*	1
4	STD870510	5-0.8 × 10mm Socket Head Bolt*	12	26	23694.00	Platen with Label	1
5	STD851005	5mm Flat Washer*	5	27	23695.00	Pointer	1
6	23684.00	Dust Cover	1	28	STD852005	5mm Lock Washer*	1
7	05374.00	5-0.8 × 15mm Socket Head Bolt	2	29	STD863508	5-0.8 × 8mm Pan Head Screw*	1
8	01833.00	5-0.8 × 8mm Flat Head Bolt	1	30	23696.00	Back Stop	1
9	23685.00	Belt Cover with Labels	1	31	STD851006	6mm Flat Washer*	2
10	N/A	Base Plate	1	32	STD852006	6mm Lock Washer*	2
11	23681.00	Drive Shaft	1	33	05376.00	6-1.0×15mm Socket Head Bolt	2
12	N/A	Base Cover	1	34	23697.00	Drive Drum	1
13	23689.00	Horizontal Stop	1	35	01043.00	6-1.0 × 8mm Set Screw	2
14	STD840812	8-1.0mm Hex Nut*	1	36	20613.00	Abrasive belt	1
15	23690.00	3AMI-50 Retaining Ring	1	37	STD315505	Ball Bearing 6000ZZ*	1
16	18365.00	3BMI-32 Retaining Ring	2	38	23698.00	Bearing Plate	1
17	STD315525	Ball Bearing 6002ZZ*	2	39	23699.00	Idler Assembly	1
18	23691.00	Vertical Stop	1	40	23700.00	Spring	1
19	STD870625	6-1.0 × 25mm Socket Head Bolt*	1	41	23701.00	Tension Lever	1
20	03856.00	5-0.8 x 12mm Flat Head Screw	8	42	STD870620	6-1.0 x 20mm Socket Head Bolt*	1
21	23692.00	Pivot	1	43	05153.00	6-1.0mm Fiber Hex Nut	1
22	23693.00	Pivot Stop	2	44	23702.00	Stud	1

* Standard hardware item available locally.

N/A Not available.

Model 351.215140

Figure 19 - Replacement Parts Illustration for Motor and Disc



REPLACEMENT PARTS LIST FOR MOTOR AND DISC

KEY NO.	PART NO.	DESCRIPTION	QTY.
1	23652.00	Miter Gauge Assembly	1
2	23653.00	Knob	2
3	23654.00	Locking Handle	1
4	STD851006	6mm Flat Washer*	1
5	23655.00	Table	1
6	STD863512	5-0.8 x 12mm Pan Head Screw*	7
7	23656.00	Dust Cover	1
8	03126.00	Abrasive Disc	1
9	23657.00	Aluminum Disc	1
10	23658.00	Pointer	1
11	STD851005	5mm Flat Washer*	4
12	STD852005	5mm Lock Washer*	4
13	STD863508	5-0.8 x 8mm Pan Head Screw*	1
14	23659.00	Disc Guard with Label	1
15	07202.00	8-1.25 x 10mm Set Screw	6
16	08685.00	4-0.7 x 15mm Pan Head Screw	2
17	05156.00	4mm Serrated Washer	2
18	STD852004	4mm Lock Washer*	8
19	STD840407	4-0.7mm Hex Nut*	2
20	23660.00	Switch Box	1
21	23661.00	Gasket	1
22	23662.00	Thread Forming Screw	3
23	16080.00	Switch	1
24	23663.00	Driven Pulley	1
25	18921.00	Line Cord	1
26	23665.00	Strain Relief	1

KEY NO.	PART NO.	DESCRIPTION	QTY.
27	23666.00	Line Cord Hook	2
28	STD870510	5-0.8 x 10mm Socket Head Bolt*	4
29	N/A	Body with Labels	1
30	23668.00	Bolt	1
31	23669.00	Rubber Pad	1
32	23670.00	2.5mm Split Pin	1
33	23671.00	Foot A	2
34	23672.00	Foot B	2
35	23673.00	Tube	1
36	23674.00	Dust Chute	1
37	STD870508	5-0.8 x 8mm Socket Head Bolt*	3
38	STD863410	4-0.7 x 10mm Pan Head Bolt*	6
39	STD851004	4mm Flat Washer*	6
40	23675.00	Bottom Plate	1
41	23676.00	V-Belt	1
42	23677.00	Motor Pulley	1
43	23678.00	Nut	1
44	23679.00	Motor (includes Key No. 48)	1
45	STD836025	10-1.5 x 25mm Hex Head Bolt*	2
46	STD851010	10mm Flat Washer*	2
47	STD841015	10-1.5mm Hex Nut*	2
48	23739.00	Capacitor	1
49	23744.00	Mounting Bracket (Set of 4)	1
50	23704.00	Gasket	1
51	23664.00	Wrench	1
Δ	23650.03	Operator's Manual	

* Standard hardware item available locally.

Δ Not shown.

N/A Not available.

Recommended Accessories		
Δ	Abrasive Belts 4 x 36" (Fine) 120 Grit	9-28394
Δ	Abrasive Belts 4 x 36" (Medium) 80 Grit	9-28395
Δ	Abrasive Belt 4 x 36" (Coarse) 50 Grit	9-28396
Δ	Abrasive Disc 6" Assorted Grit	9-28973
Δ	Abrasive Cleaner	9-28000
Δ	Multi-Purpose Tool Stand	9-22224

LIJADORA CON RECOLECTOR DE POLVO

Correa de 4 x 36"
Disco de 6"

Modelo No.
351.215140

PRECAUCION: Lea y siga todas las reglas de seguridad e instrucciones de operación antes de utilizar este producto por primera vez. Mantenga este manual junto con la herramienta.

CONTENIDO

Inglés	2-9
Ilustración y Lista de Partes	10-13
Garantía	14
Reglas de Seguridad	14-15
Desempaque	15
Montaje	15-16
Instalación	17-18
Operación	18-21
Mantenimiento	21
Identificación de Problemas	22

GARANTIA

GARANTIA COMPLETA DE UN AÑO PARA HERRAMIENTA CRAFTSMAN

Si esta herramienta Craftsman fallara por causa de defectos en el material o en la mano de obra en un lapso de un año a partir de la fecha de compra, LLAME al 1-800-4-MY-HOME® PARA SOLICITAR LA REPARACION GRATUITA DEL PRODUCTO (o su reemplazo si no se puede reparar la unidad). Esta garantía no incluye partes fungibles, tales como lámparas, baterías, barrenas o cuchillas.

Si esta herramienta se usa alguna vez para fines comerciales o de alquiler, esta garantía es válida únicamente por 90 días a partir de la fecha de compra.

Esta garantía le otorga derechos legales específicos y también puede usted tener otros derechos que varíen de estado a estado.

Sears, Roebuck and Co., Hoffman Estates, IL 60179

REGLAS DE SEGURIDAD

ADVERTENCIA: Para su propia seguridad, lea todas las instrucciones y las precauciones antes de operar la herramienta.

ADVERTENCIA: Parte del polvo producido por el lijado mecánico, serrado, esmerilado, taladrado y otras tareas de construcción contiene sustancias químicas que pueden ocasionar cáncer, malformaciones congénitas u otros daños reproductivos.

Algunos ejemplos de estas sustancias químicas son:

- Plomo proveniente de pinturas con base de plomo.
- Sílice cristalino proveniente de ladrillos, cemento y otro material de mampostería.

- Arsénico y cromo proveniente de madera químicamente tratada. El riesgo debido a la exposición de estas sustancias químicas depende de la frecuencia con la cual realice este tipo de trabajo. Para reducir la exposición a estas sustancias químicas: trabaje en un área bien ventilada y utilice equipo de seguridad aprobado. Cuando trabaje con este tipo de herramientas, utilice siempre una máscara para la cara o respirador adecuadamente ajustados, aprobados por **OSHA/NIOSH**.

PRECAUCION: Siempre siga los procedimientos de operación correctos, tal como se definen en este manual, aun cuando esté familiarizado con el uso de ésta o de otras herramientas similares. Recuerde que descuidarse aunque sólo sea por una fracción de segundo puede ocasionarle graves lesiones.

EL OPERADOR DEBE ESTAR PREPARADO PARA EL TRABAJO

- Use ropa apropiada. No use ropa holgada, guantes, corbatas, anillos, pulseras ni otras joyas que puedan atascarse en las piezas móviles de la máquina.
- Use una cubierta protectora para el cabello, para sujetar el cabello largo.
- Use zapatos de seguridad con suelas antideslizantes.
- Use gafas de seguridad que cumplan con la norma ANSI Z87.1 de los Estados Unidos. Los anteojos comunes tienen lentes que sólo son resistentes al impacto. **NO** son anteojos de seguridad.
- Use una máscara para la cara o una máscara contra el polvo, si al utilizar la herramienta se produce mucho polvo.
- Esté alerta y piense claramente. Nunca opere herramientas mecánicas cuando esté cansado, intoxicado o bajo la influencia de medicación que produzca somnolencia.

PREPARE EL AREA DE TRABAJO PARA LA TAREA A REALIZAR

- Mantenga el área de trabajo limpia. Las áreas de trabajo desordenadas atraen accidentes.
- No use herramientas mecánicas en ambientes peligrosos. No use herramientas mecánicas en lugares húmedos o mojados. No exponga las herramientas mecánicas a la lluvia.
- El área de trabajo debe estar iluminada adecuadamente.
- Debe haber disponible una toma de corriente adecuada para la herramienta. El enchufe de tres puntas debe enchufarse directamente a un receptáculo para tres puntas puesto a tierra correctamente.
- Los cordones de extensión deben tener una punta de conexión a tierra y los tres alambres del cordón de extensión deben ser del calibre correcto.
- Mantenga a los visitantes a una distancia prudente del área de trabajo.
- Mantenga a los niños fuera del lugar de trabajo. Haga que su taller sea a prueba de niños. Use candados, interruptores maestros y remueva las llaves del arrancador para impedir cualquier uso involuntario de las herramientas mecánicas.

SE DEBE DAR MANTENIMIENTO A LA HERRAMIENTA

- Desenchufe siempre la herramienta antes de inspeccionarla.
- Consulte el manual para informarse sobre los procedimientos de mantenimiento y ajuste específicos.
- Mantenga la herramienta lubricada y limpia de modo que funcione de la manera más segura.
- Retire las herramientas de ajuste. Desarrolle el hábito de verificar que hayan sido retiradas las herramientas de ajuste antes de encender la máquina.

- Mantenga todas las partes listas para funcionar. Revise el protector u otras piezas para determinar si funcionan correctamente y hacen el trabajo que deben hacer.
- Revise que no haya partes dañadas. Verifique el alineamiento de las partes móviles, si hay atascamiento, roturas y montaje o cualquier otra condición que pudiera afectar el funcionamiento de la herramienta.
- Si hay una protección o cualquier otra parte dañada, éstas deberán repararse correctamente o ser reemplazadas. No haga reparaciones provisionales (vélgase de la lista de partes incluida para solicitar partes de repuesto).

EL OPERADOR DEBE SABER COMO USAR LA HERRAMIENTA

- Use la herramienta correcta para cada trabajo. No fuerce la herramienta o el accesorio ni los use para una tarea para la que no fueron diseñados.
- Desconecte la herramienta cuando cambie la correa o el disco abrasivo.
- Evite que la herramienta se encienda accidentalmente. Asegúrese que el interruptor de la herramienta está en la posición OFF (apagado) antes de enchufarla.
- No fuerce la herramienta. Funcionará en la forma más eficiente a la velocidad para la cuál se diseñó.
- Mantenga las manos alejadas de las partes movibles y de las superficies lijantes.
- Nunca deje desatendida una herramienta en funcionamiento. Desconéctela y no abandone el lugar hasta que se haya detenido por completo.
- No trate de alcanzar demasiado lejos. Manténgase firme y equilibrado.
- Nunca se pare sobre la herramienta. Se pueden producir lesiones graves si la herramienta se vuelca o se toca accidentalmente la correa o el disco.
- Conozca su herramienta. Aprenda a manejar la herramienta, su aplicación y limitaciones específicas.
- Use los accesorios recomendados (consulte la página 13). Si se usan accesorios incorrectos, puede sufrir lesiones o lesionar a alguien.
- Maneje la pieza de trabajo en forma correcta. Protéjase las manos de posibles lesiones.
- Apague la máquina si se atasca. La correa se atasca cuando penetra muy profundamente en la pieza de trabajo (la fuerza del motor la mantiene trabada en la pieza de trabajo).
- Soporte la pieza de trabajo con la guía de ingletes, la platina de la correa o la mesa de trabajo.
- Mantenga un espacio libre máximo de $\frac{1}{16}$ " entre la mesa y la correa o el disco abrasivo.

PRECAUCION: ¡Piense en la seguridad! La seguridad es una combinación del sentido común del operador y un estado de alerta permanente al usar la herramienta.

ADVERTENCIA: No trate de operar la herramienta hasta que haya sido completamente armada según las instrucciones.

DESEMPAQUE

Consulte la Figura 1.

Verifique que no hayan ocurrido daños durante el envío. Si hay daños, se deberá presentar un reclamo a la compañía de transporte. Verifique que esté completa. Avise inmediatamente al distribuidor si faltan partes.

La lijadora viene montada como una unidad. Es necesario localizar y tomar en cuenta las piezas adicionales que deben asegurarse a la lijadora antes de armarla:

- A Lijadora
- B Conjunto de la guía de ingletes
- C Tope de seguridad
- D Mesa
- E Perno prisionero
- F Manilla con arandela

No se muestra: Disco abrasivo, Perilla (2), Base (4), Soporte de montaje(4), Perno de cabeza hexagonal de M6 x 16 (4), Perno de cabeza hueca de M6 x 16 (2), Arandela de seguridad de M6 (2), Arandela plana de M6 (6), Tuerca hexagonal de M6 (4), Llave hexagonal de 3 y 5 mm y Llave de extremo abierto de 13mm.

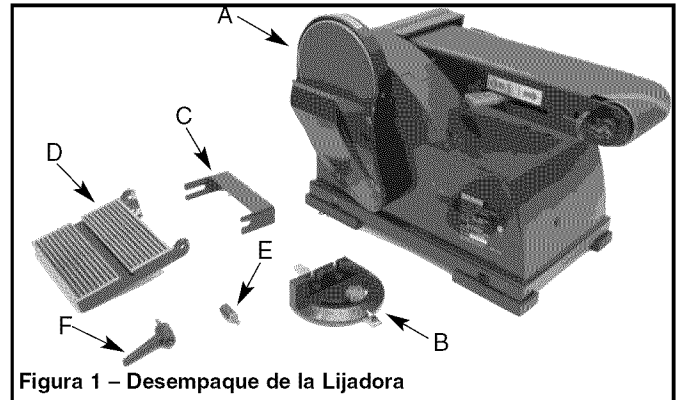


Figura 1 – Desempaquete de la Lijadora

MONTAJE

Consulte las Figuras 2-6.

PRECAUCION: No intente hacer el montaje si hay partes que faltan. Vélgase de este manual para solicitar partes de repuesto.

ADVERTENCIA: No opere la máquina hasta que esté completamente armada. No opere la máquina hasta que haya leído y entendido totalmente este manual.

HERRAMIENTAS NECESARIAS

Cuando arme o ajuste la lijadora de disco y correa, necesitará las herramientas siguientes:

- Llave de 13 mm
- Llaves hexagonales de 3 y 5 mm
- Escuadra de combinación
- Destornillador Phillips

MONTAJE DE LA LIJADORA

Consulte las Figuras 2 y 3, en las página 16.

Elija un lugar adecuado para instalar la lijadora. La lijadora debe instalarse en un lugar que cuente con suficiente iluminación y una fuente de alimentación adecuada. Para instalar la lijadora:

- La lijadora se debe empernar a una superficie firme y nivelada.
- Asegúrese que haya suficiente espacio para mover la pieza de trabajo. Deberá haber suficiente espacio de manera que ni los operadores ni demás personas tengan que situarse detrás de la pieza de trabajo mientras se usa la herramienta. Permita que haya suficiente espacio para poner en posición horizontal el conjunto de la correa.
- Oprima una pata en cada esquina de la base de la lijadora.
- La lijadora se puede instalar en un banco de trabajo o una plataforma para herramientas (consulte la sección Accesorios Recomendados, en la pagina 13) usando pernos, arandelas de seguridad, tuercas hexagonales y soportes de montaje.

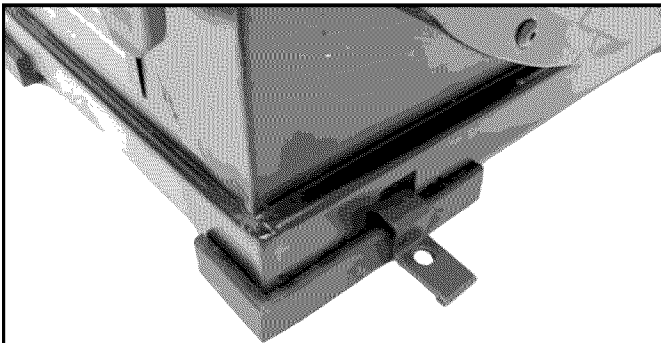


Figura 2 – Inserte los Soportes de Montaje en las Ranuras de la Base de la Lijadora

- La Figura 3 muestra las dimensiones de la base, los orificios de montaje y el espacio necesario para colocar el conjunto de la mesa y el conjunto de la correa en posición horizontal.

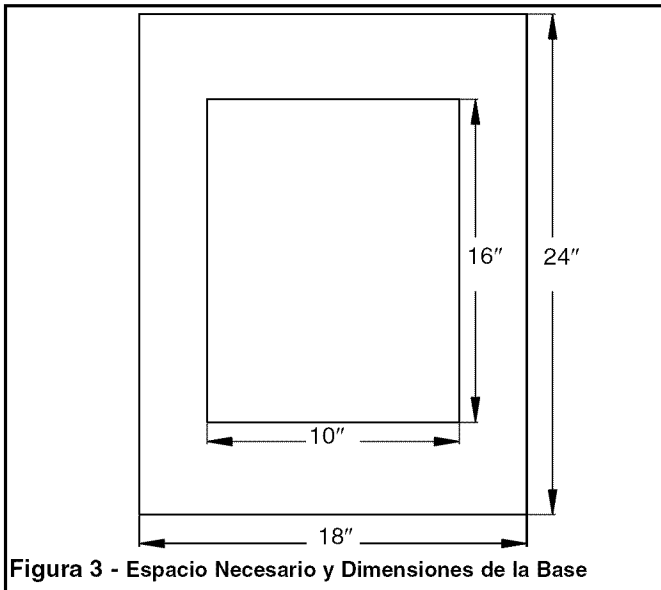


Figura 3 - Espacio Necesario y Dimensiones de la Base

FIJACIÓN DEL DISCO ABRASIVO

Consulte la Figure 4.

- Retire la cubierta del disco. Para esto, afloje y extraiga cuatro tornillos.
- Retire el recubrimiento de la parte posterior del disco abrasivo.
- Coloque el disco abrasivo en el centro del disco de aluminio y presiónelo con firmeza y de forma pareja.
- Vuelva a instalar la cubierta del disco.

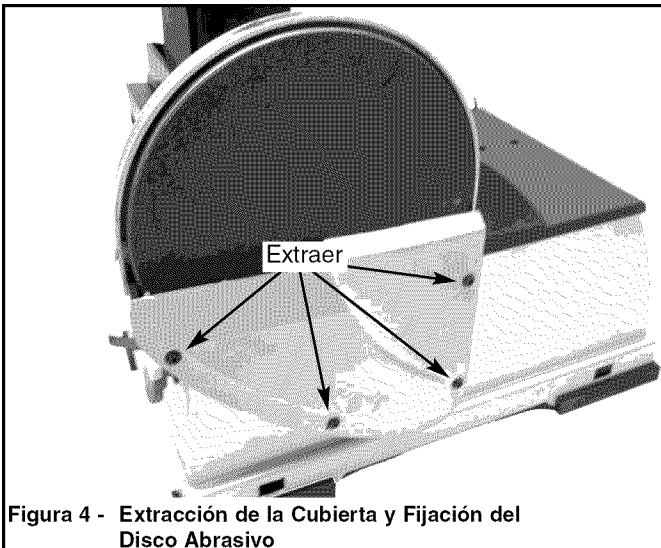


Figura 4 - Extracción de la Cubierta y Fijación del Disco Abrasivo

INSTALACION DE LA MESA

Consulte las Figuras 5 y 6.

El mesa incluido se utiliza con ambos, el disco y la correa.

Para utilizar la mesa con el disco:

- Coloque la mesa en la protección del disco y fije con las perillas.
- Enrosque la manija de fijación a través de la mesa y hacia la protección del disco.
- Usando una escuadra de combinación, coloque la mesa en posición perpendicular al disco y fjela en esa posición. Si es necesario, ajuste el indicador a 0°.

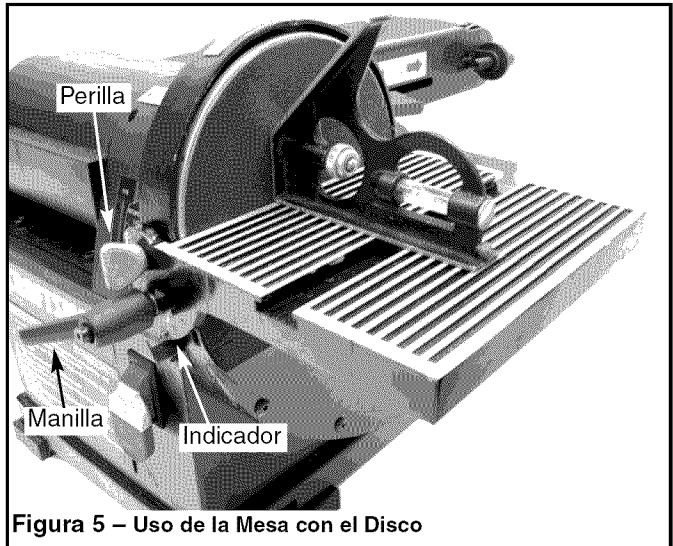


Figura 5 – Uso de la Mesa con el Disco

Para utilizar la mesa con la correa:

- Enrosque el perno prisionero en el alojamiento de la correa.
- Coloque la mesa sobre el perno prisionero y el soporte. Asegure la mesa con las dos perillas.
- Enrosque la manija de fijación a través de la mesa en el soporte.
- Usando una escuadra de combinación, coloque la mesa en posición perpendicular a la correa y fjela en esa posición. Si es necesario, ajuste el indicador a 0°.

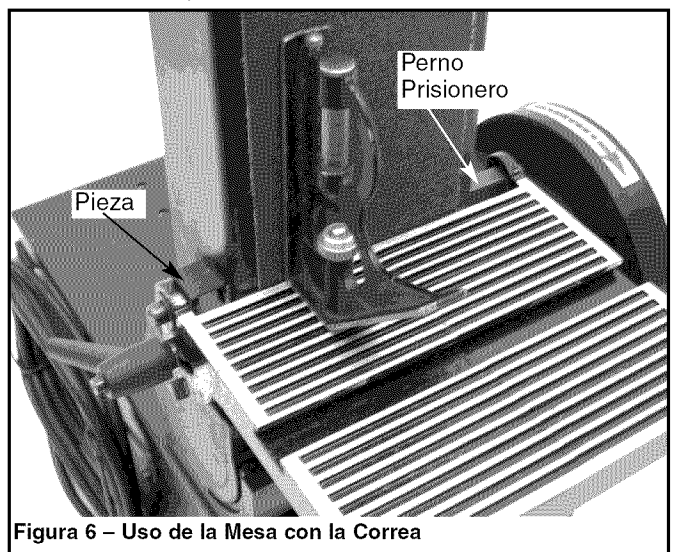


Figura 6 – Uso de la Mesa con la Correa

INSTALACION

Consulte las Figuras 7, 8 y 9 en las páginas 17 y 18.

FUENTE DE ALIMENTACION

ADVERTENCIA: No conecte la lijadora a la fuente de alimentación hasta haber cumplido todos los pasos del ensamblaje.

El motor ha sido diseñado para funcionar al voltaje y frecuencia especificados. Las cargas normales se pueden manejar sin riesgos dentro de un intervalo del 10% respecto al voltaje especificado. Si se hace funcionar la unidad a un voltaje fuera de este intervalo, se puede recalentar y quemar el motor. Las cargas pesadas exigen que el voltaje en los terminales del motor no sea inferior al especificado.

- La fuente de alimentación del motor está controlada por un interruptor oscilante enclavado unipolar. Extraiga la llave para evitar el uso no autorizado.

INSTRUCCIONES PARA LA CONEXION A TIERRA

ADVERTENCIA: Si no se conecta correctamente el conductor a tierra del equipo, se corre el riesgo de un electrochoque. El equipo debe estar conectado a tierra mientras se usa para proteger al operador de un electrochoque.

- Si no comprende las instrucciones de conexión a tierra o tiene dudas en cuanto a si la herramienta está correctamente conectada a tierra, consulte a un electricista calificado.
- A fin de protegerlo contra una descarga eléctrica, esta herramienta está equipada con un cable de tres conductores aprobado y clasificado para 150 V, así como con un enchufe de tres clavijas tipo conexión a tierra (Figura 7).
- El enchufe de conexión a tierra deberá conectarse directamente a un receptáculo para 3 clavijas debidamente instalado y conectado a tierra, tal como se muestra (Figura 7).

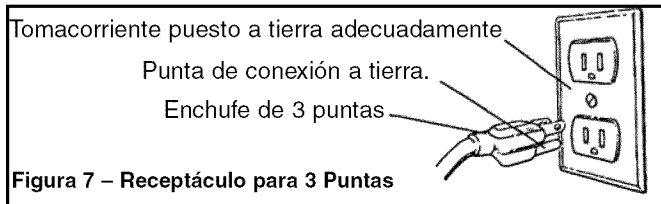


Figura 7 – Receptáculo para 3 Puntas

- No retire ni modifique en forma alguna la punta de conexión a tierra. En caso de un mal funcionamiento o una descomposición, la conexión a tierra proporciona una ruta de menor resistencia para la descarga eléctrica.

ADVERTENCIA: Al conectar o desconectar el enchufe del tomacorriente, no permita que los dedos toquen los terminales o el enchufe.

- El enchufe debe conectarse en el tomacorriente correspondiente que haya sido instalado y conectado a tierra debidamente, de acuerdo con todos los códigos y regulaciones locales. No modifique el enchufe que se incluye. Si no cabe en el tomacorriente, solicite a un electricista calificado que instale un tomacorriente adecuado.
- Revise periódicamente los cordones de la herramienta y si están dañados, llévelos a un centro de servicio autorizado para que los reparen.
- El conductor verde (o verde y amarillo) del cordón es el cable de conexión a tierra. Si es necesario reparar o reemplazar el cordón eléctrico o el enchufe, no conecte el cable verde (o verde y amarillo) a un terminal cargado.
- Si se cuenta únicamente con un zócalo para dos clavijas, éste deberá ser reemplazado con un zócalo para tres clavijas debidamente conectado a tierra e instalado de acuerdo con

las Normas para Instalaciones Eléctricas (National Electric Code) y los códigos y regulaciones locales.

ADVERTENCIA: Esta tarea deberá ser realizada por un electricista calificado.

Se puede usar temporalmente un adaptador de 3 puntas a 2 puntas con conexión a tierra (véase la Figura 8) para conectar los enchufes a un tomacorriente bipolar que esté correctamente puesto a tierra.

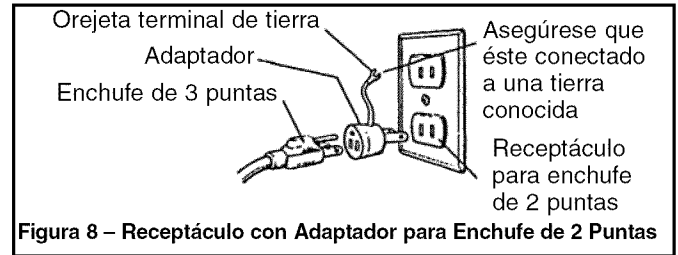


Figura 8 – Receptáculo con Adaptador para Enchufe de 2 Puntas

- No utilice este tipo de adaptadores a menos que esté permitido por los códigos y regulaciones nacionales y locales. (Este tipo de adaptadores no se permiten en Canadá). Cuando esté permitido utilizar este tipo de adaptadores, la lengüeta rígida de color verde o el terminal en el lado del adaptador deberán estar bien conectados a una tierra permanente, como sería una tubería de agua debidamente conectada a tierra, un tomacorriente debidamente conectado a tierra o un sistema de cables debidamente conectado a tierra.

- Muchos de los tornillos de la plancha de cubierta, las tuberías de agua y las cajas de tomacorriente no están debidamente conectados a tierra. Para garantizar que la conexión a tierra sea efectiva, un electricista calificado debe verificar los medios de conexión a tierra.

CORDONES DE EXTENSION

- El uso de cualquier tipo de cordón de extensión ocasionará una caída en el voltaje y una pérdida de potencia.
- Los cables del cordón de extensión deben tener el tamaño suficiente para conducir la corriente adecuada y mantener el voltaje correcto.
- Utilice la tabla para determinar el tamaño mínimo del alambre (según la norma AWG) del cordón de extensión.
- Utilice únicamente cordones de extensión trifilares que tengan enchufes tipo conexión a tierra de tres puntas y receptáculos tripolares que acepten el enchufe de la herramienta.
- Si el cordón de extensión está desgastado, roto o dañado en cualquier forma, reemplácelo inmediatamente.

Longitud del cordón de extensión

Tamaño del alambre	Norma AWG
Hasta 25 pies.	18
25 a 50 pies.	16

AVISO: No se recomienda utilizar cordones de extensión de más de 50 pies de largo.

MOTOR

La lijadora viene con el motor y el cableado instalados. La Figura 7 muestra el diagrama del cableado eléctrico.

ESPECIFICACIONES DEL MOTOR

Potencia en HP (servicio continuo)	1/3
Voltaje	120
Amperaje	3.4
Frecuencia (Hz)	60
Fase.	Monofásico
RPM.	1700

CONEXIONES ELECTRICAS

ADVERTENCIA: Un electricista calificado debe hacer todas las conexiones eléctricas. Asegúrese que la herramienta esté apagada y desconectada de la fuente de energía eléctrica mientras monte, conecte o vuelva a conectar el motor o mientras inspeccione el cableado.

El motor y los cables se instalan tal y como se muestra en el diagrama de cableado (véase la Figura 9). El motor se instala con un cable de 3 conductores para funcionar a 120 voltios.

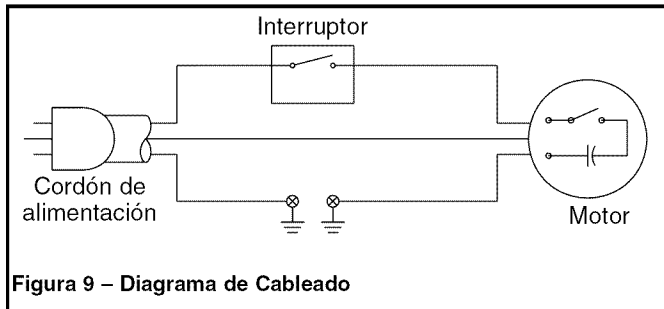


Figura 9 – Diagrama de Cableado

Las líneas de energía eléctrica se insertan directamente en el interruptor. La línea de conexión a tierra verde debe permanecer firmemente sujeta al bastidor para ofrecer la adecuada protección contra un electrochoque. La fuente de alimentación del motor está controlada por un interruptor basculante enclavador unipolar.

- Extraiga la llave para evitar el uso no autorizado.

OPERACION

Consulte las Figuras 10-17.

DESCRIPCION

La Lijadora de correa y disco de Craftsman está construida de aluminio fundido a presión y hierro forjado robusto para proporcionar estabilidad y un funcionamiento libre de vibraciones. La correa y el disco de diámetro se utilizan para lijar, quitar las rebabas, biselar y esmerilar piezas de trabajo grandes de madera y plástico.

La caja de la correa puede pivotarse de la posición vertical a la horizontal para lijar piezas de trabajo grandes y rectas. El tambor loco permite lijar formas con contorno acabados. El disco se puede utilizar para lijar o biselar las superficies.

La lijadora incluye un orificio de salida de polvo 2 pulg. que recolecta residuos tanto de la correa como del disco.

La guía de ingletes ajustable se utiliza en la mesa de trabajo para guiar la pieza de trabajo en el ángulo deseado cuando se lija. Se incluye un tope de seguridad para lijar piezas largas con la correa.

ESPECIFICACIONES

Tamaño de la correa	4 x 36"
Área de la platina de la correa	5 x 9"
Velocidad de la correa	1100 PPM
Diámetro del disco	6"
Velocidad del disco	2200 RPM
Dimensiones de la mesa	5½ x 7"
Inclinación de la mesa	0 a 45°
Diámetro del orificio de salida del polvo	2"
Dimensiones de la base	10 x 16"
Interruptor	Basculante enclavado unipolar
Peso	43 lbs

ADVERTENCIA: El funcionamiento de todas las herramientas mecánicas puede hacer que sean lanzados a los ojos cuerpos extraños, lo cual puede lesionarlos gravemente. Siempre use gafas de seguridad que cumplan con los requisitos de la norma estadounidense ANSI Z87.1 (se indica en el paquete) antes de comenzar a usar la herramienta mecánica. Las gafas de seguridad se encuentran disponibles a través de las tiendas o el catálogo de Sears.

PRECAUCION: Tenga siempre en cuenta las siguientes precauciones.

PRECAUCIONES DE SEGURIDAD

- Cuando ajuste o cambie partes de la herramienta, siempre APAGUE la unidad y desconecte el enchufe de la toma de corriente.
- Vuelva a revisar los pernos y la manilla de la mesa. Deben estar apretados en forma segura.
- Asegúrese que todas las protecciones estén debidamente instaladas. Todas las protecciones deben estar firmemente sujetadas.
- Asegúrese que nada obstaculice ninguna parte movable.
- Asegúrese que todos los sujetadores se encuentren apretados y no se hayan aflojado debido a la vibración.
- Desconectando la potencia, revise la operación con la mano para verificar el espacio libre y ajustarlo de ser necesario.
- Siempre use protección para los ojos o para la cara.
- Asegúrese que la correa abrasiva esté alineada correctamente. El alineamiento correcto proporciona el rendimiento óptimo.
- Después de encender la unidad, permita siempre que la correa o el disco alcance su plena velocidad de funcionamiento antes de comenzar a lijar o esmerilar.
- Asegúrese que el disco gire en el sentido de las manillas del reloj. La correa abrasiva debe avanzar hacia abajo.
- Lije de acuerdo con las flechas de dirección para evitar los contragolpes.
- Mantenga las manos alejadas de la correa abrasiva, disco y todas las partes o piezas en movimiento.
- A fin de lograr un óptimo rendimiento, no detenga el motor ni reduzca su velocidad. No fuerce la pieza de trabajo contra la lija.
- Siempre soporte la pieza de trabajo con la mesa de la correa o el tope de seguridad cuando lije con la correa, y con la mesa del disco cuando lije con el disco.
- Nunca empuje rápidamente una esquina afilada de la pieza de trabajo contra la correa o el disco. El papel o material abrasivo se puede romper.
- Reemplace el material abrasivo cuando se carga (se pone lustroso) o se deshilacha.

INTERRUPTOR DE ON/OFF (ENCENDIDO/APAGADO)

Consulte la Figura 10, la página 19.

El interruptor de encendido y apagado se encuentra en la parte delantera superior derecha del base. Para encender la lijadora, cambie la posición del interruptor a la posición superior. Para apagar la lijadora, cambie la posición del interruptor a la posición inferior.

Se puede bloquear el interruptor para impedir el uso no autorizado de la lijadora. Para bloquear el interruptor:

- Abra el interruptor y desconecte la lijadora de la fuente de alimentación.
- Extraiga la llave. No se puede llevar el interruptor a la posición ON (encendido) sin la llave.

AVISO: Si se extrae la llave con el interruptor en la posición ON (encendido), se puede llevar éste a la posición OFF (apagado) pero no a la de encendido.

- Para volver a insertar la llave, deslícela al interior de la ranura del interruptor hasta que se acople.

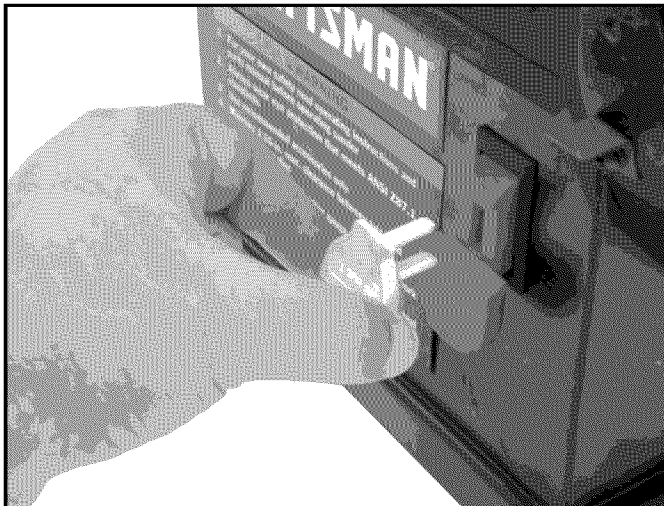


Figura 10 – Interruptor Enclavado en la Posición OFF (Apagado)

AJUSTE DE ALINEACION DE LA CORREA

Consulte la Figura 11.

- Encienda y apague rápidamente la unidad para verificar la alineación. La correa debe moverse centrada en el tambor impulsor y en el loco. Ajuste la tuerca de alineación según convenga para centrar la correa en los tambores.
- Si la correa se mueve hacia la izquierda, gire la tuerca de alineación hacia la derecha. Si la correa se mueve hacia la derecha, gire la tuerca de alineación hacia la izquierda.
- Vuelva a encender y apagar rápidamente la unidad. Si la correa se mueve hacia un lado, continúe ajustando la tuerca de alineación según convenga para centrar la correa en los tambores.

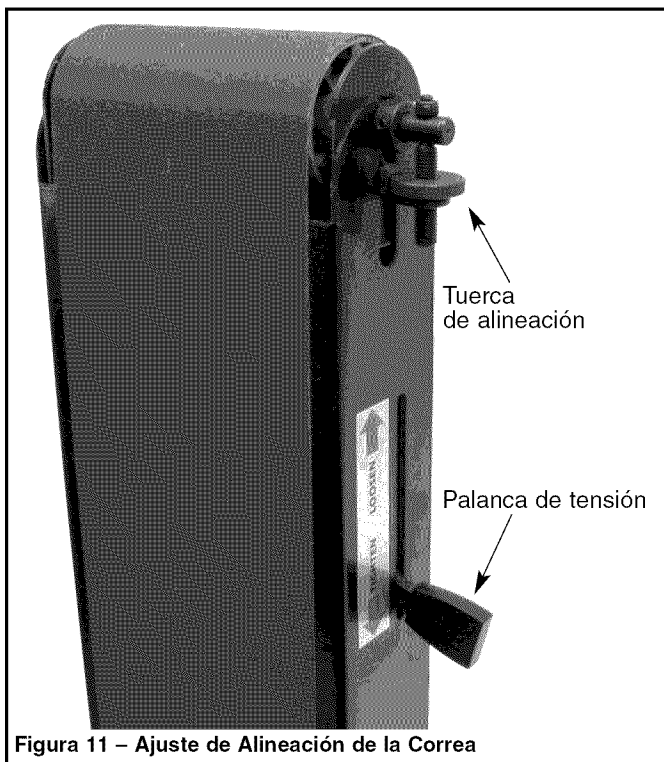


Figura 11 – Ajuste de Alineación de la Correa

AJUSTE DE LA POSICION DEL CONJUNTO DE LA CORREA

Consulte la Figura 12.

El conjunto de la correa lijadora se puede ajustar desde la posición vertical a la horizontal, o a cualquier ángulo entre estas dos posiciones.

- Afloje el perno de cabeza hueca que está roscado en la pieza de soporte de pivote.
- Incline el conjunto de la correa a la posición deseada. Apriete el perno de cabeza hueca en la pieza de soporte de pivote para fijar la posición del conjunto de la correa.
- Se ha suministrado topes positivos ajustables para las posiciones horizontal y vertical.

AVISO: El tope limitador horizontal se encuentra ubicado en la parte superior de la base y el tope limitador vertical se encuentra ubicado debajo de la cubierta de la correa.

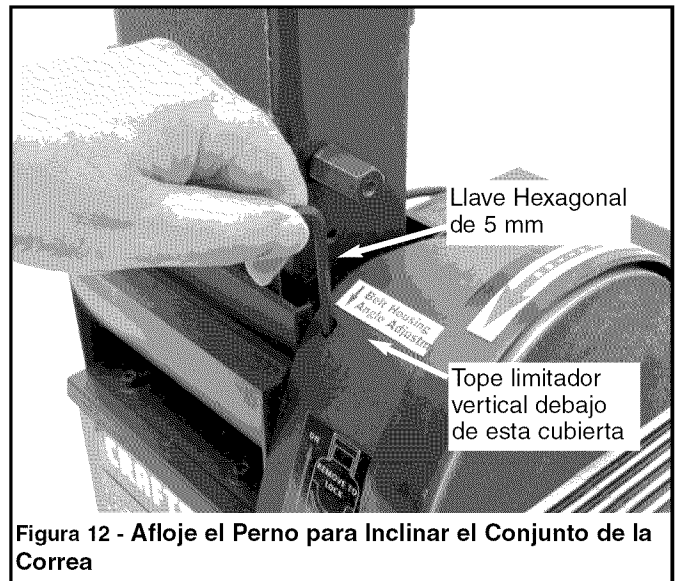


Figura 12 - Afloje el Perno para Inclinarse el Conjunto de la Correa

AJUSTE DEL ANGULO DE LA MESA

Consulte la Figura 13.

La mesa se utiliza para apoyar la pieza de trabajo cuando se lija en el disco o la correa, cuando el conjunto de la correa se encuentra en posición vertical.

- Para ajustar el ángulo de la mesa, afloje la manilla, incline la mesa a la posición deseada, luego apriete la manilla para fijar la mesa en esa posición.

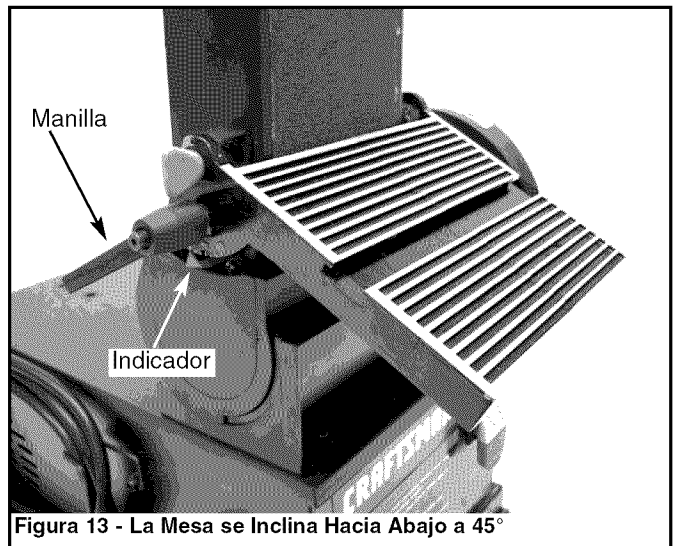


Figura 13 - La Mesa se Inclina Hacia Abajo a 45°

PARA LIJAR CON LA CORREA EN POSICION HORIZONTAL Y EL TOPE DE SEGURIDAD INSTALADO

Consulte la Figura 14.

El tope posterior apoya la pieza de trabajo cuando se lija en la correa con el conjunto de la correa en posición horizontal.

- Desmonte la mesa y el perno prisionero de la correa.
- Incline el conjunto de la correa desde la posición vertical a la horizontal y fíjelo en esa posición.
- Monte el tope de seguridad en el conjunto de la correa usando los dos tornillos.
- El tambor loco se puede utilizar como un tambor de contacto para lijar superficies.

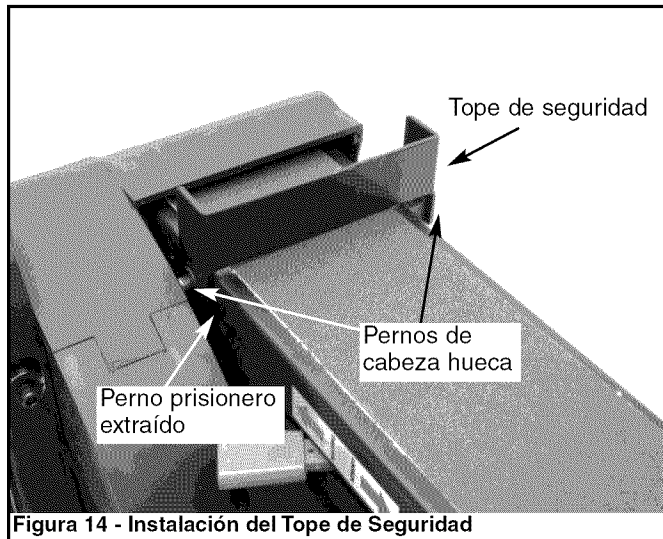


Figura 14 - Instalación del Tope de Seguridad

USO DE LA CORREA ABRASIVA PARA TRABAJOS DE ACABADO

- Acabado de las superficies planas: Sujete firmemente la pieza de trabajo con las dos manos; mantenga los dedos alejados de la correa abrasiva.

Use la mesa para situar y sujetar la pieza que se esté lijando. Mantenga el extremo topado contra la mesa y mueva la pieza uniformemente a través de la correa abrasiva.

- Acabado de las piezas largas: Utilice la correa en posición horizontal y con el tope de seguridad puesto. Aplique solamente la presión suficiente para permitir que la correa abrasiva elimine el material.
- Use el tope de seguridad para situar y sujetar la pieza que se esté lijando. Mantenga el extremo topado contra el tope de seguridad y mueva la pieza uniformemente a través de la correa abrasiva. Tenga mucho cuidado cuando acabe piezas muy delgadas.
- Acabado de bordes curvos: Acabe las curvas exteriores en la parte plana de la correa abrasiva. Acabe las curvas interiores en la parte del tambor loco de la correa abrasiva.
- Acabado del contrahilo: Es más conveniente acabar los extremos de las piezas de trabajo largas con la correa abrasiva en posición vertical.

Coloque la mesa en el lado de la correa de la lijadora. Mueva la pieza de trabajo uniformemente a través de la correa abrasiva. Para mayor precisión, use la guía de ingletes. La mesa se puede inclinar para hacer los trabajos de biselado.

USO DEL DISCO ABRASIVO PARA TRABAJOS DE ACABADO

- El uso del disco abrasivo para lijar es ideal para acabar superficies planas pequeñas y bordes convexos.

- Mueva la pieza de trabajo a través del lado inferior (izquierdo) del disco abrasivo. Sujete firmemente la pieza de trabajo con las dos manos; mantenga los dedos alejados del disco abrasivo.
- El disco abrasivo se mueve más rápido y elimina más material en el borde externo.
- Para mayor precisión, use la guía de ingletes.

USO DE LA GUIA DE INGLETES

Consulte las Figura 15.

- Use la guía de ingletes para sujetar la pieza de trabajo y mantener el ángulo adecuado cuando lije una pieza.
- Use una escuadra de combinación para ajustar la cuadratura de la guía de ingletes con respecto a la correa (o al disco). El indicador debe estar en cero. Afloje el tornillo y cambie la posición del indicador si es necesario.
- Después de cuadrar la guía de ingletes con la correa (o el disco), cambie la posición del indicador de ángulo en la escala de la guía de ingletes para ajustar la guía al ángulo deseado y fíjela en esa posición con la manilla.

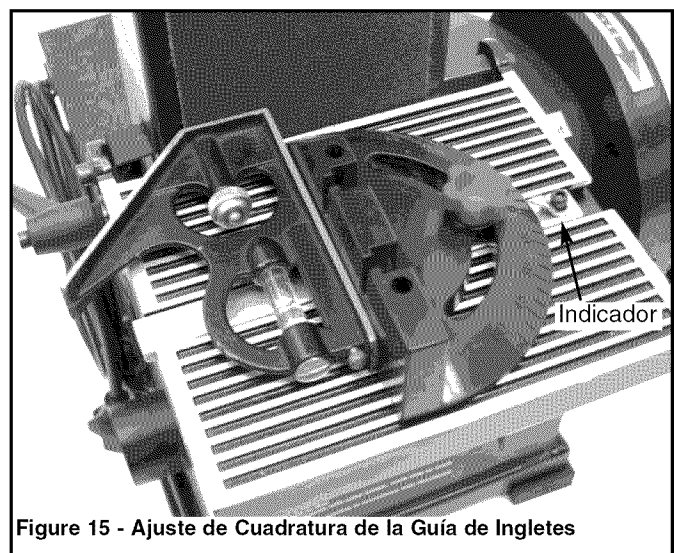


Figure 15 - Ajuste de Cuadratura de la Guía de Ingletes

CAMBIO DE LA CORREA ABRASIVA

Consulte la Figura 16, la página 21.

- La correa abrasiva se debe cambiar cuando está desgastada, rota o vidriada.
- Retire el conjunto de la mesa.
- Retire el indicador, luego deslice la cubierta hacia arriba y hacia fuera del desviador (o deflector) de polvo.
- Libere la tensión de la correa empujando la palanca de tensión hacia el tambor loco. Deslice la correa vieja y desmóntela del tambor impulsor y del tambor loco.

AVISO: Puede que haya una flecha en el interior de la correa. La flecha debe apuntar hacia el recorrido de la correa para asegurar que el empalme en la correa no se desprenda.

- Deslice la correa nueva sobre el tambor impulsor y el tambor loco; centre la correa en los tambores.
- Hay correas abrasivas adicionales disponibles (véase Accesorios Recomendados en la página 13).
- Empuje la palanca de tensión hacia el tambor impulsor para tensar la correa.
- Verifique la alineación. Consulte "Ajuste de Alineación de la Correa" en la página 18.
- Vuelva a instalar la pieza de soporte, el desviador (o deflector) y la cubierta.

- Vuelva a montar en el orden inverso.

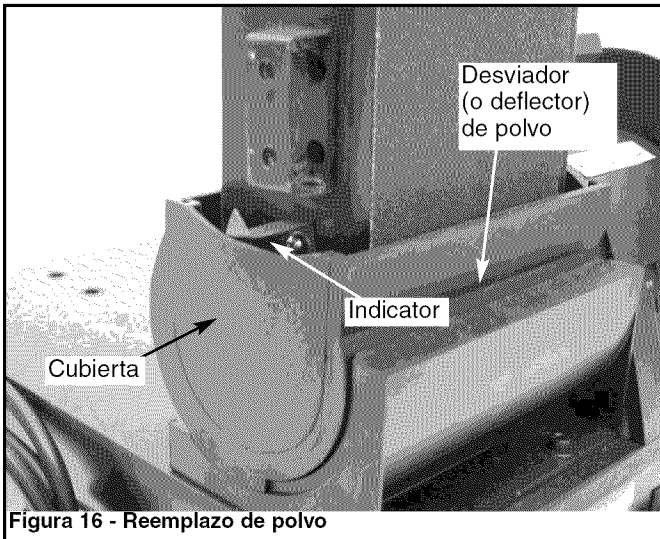


Figura 16 - Reemplazo de polvo

CAMBIO DEL DISCO ABRASIVO

Consulte la Figura 17.

- Desmonte el conjunto de la mesa.
- Retire la cubierta del disco. Para esto, afloje y extraiga cuatro tornillos.
- Extraiga el disco abrasivo viejo. Para esto, despéguelo del disco de aluminio. No es necesario extraer el disco de aluminio.
- Limpie el disco de aluminio si es necesario. Seleccione el disco abrasivo deseado y móntelo en el disco de aluminio.
- Hay discos abrasivos adicionales disponibles (Véase Accesorios Recomendados en la página 13).
- Vuelva a instalar la cubierta del disco.

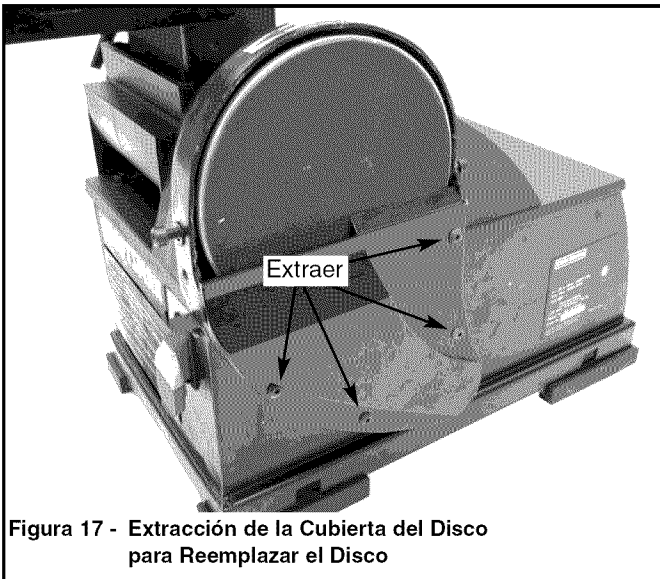


Figura 17 - Extracción de la Cubierta del Disco para Reemplazar el Disco

MANTENIMIENTO

ADVERTENCIA: Asegúrese de que la unidad esté desconectada de la fuente de alimentación eléctrica antes de tratar de dar servicio o retirar cualquier componente.

LIMPIEZA

Mantenga la máquina y el taller limpios. No permita que el aserrín se acumule en la herramienta. Mantenga limpios los tambores. La tierra en los tambores hará que la correa se desalinee y resbale. Vacíe la bolsa de recolección de polvo en forma periódica.

Asegúrese de mantener limpio el motor y aspire frecuentemente el polvo acumulado en el motor.

Utilice jabón y agua para limpiar partes pintadas, partes de goma y protectores plásticos.

LUBRICACION

Los rodamientos de bola blindados de esta herramienta vienen permanentemente lubricados de fábrica. No será necesaria ninguna lubricación adicional.

- Cuando la operación parece dura, si se le aplica una capa fina de cera a la mesa, se facilitará la alimentación de la pieza de trabajo durante el acabado.
- No aplique la cera a la platina de la correa. Es posible que la correa recoja la cera y la deposite en las ruedas. Esto hará que la correa resbale.

MANTENGA LA HERRAMIENTA EN BUENAS CONDICIONES

- Si el cordón de alimentación está desgastado, cortado o dañado en cualquier manera, cámbielo inmediatamente.
- Reemplace los componentes abrasivos desgastados según sea necesario.
- Reemplace todas las partes que estén dañadas o que falten. Válgase de la lista de piezas incluida para solicitar piezas de repuesto.

Cualquier intento de reparar el motor puede constituir un peligro a menos que sea realizado por un técnico profesional. El servicio de reparación está disponible en su tienda Sears más cercana.

IDENTIFICACION DE PROBLEMAS

SINTOMA	CAUSA(S) POSIBLE(S)	MEDIDA CORRECTIVA
El motor no arranca	<ol style="list-style-type: none"> 1. Voltaje bajo 2. Circuito abierto en el motor o conexiones sueltas 3. Interruptor defectuoso 4. Capacitor defectuoso 	<ol style="list-style-type: none"> 1. Verifique el voltaje correcto de la línea de alimentación 2. Inspeccione todas las conexiones de conductores en el motor para ver que no haya conexiones sueltas o abiertas 3. Reemplace el interruptor 4. Reemplace el capacitor
El motor no arranca; los fusibles están quemados o los cortacircuitos se han disparado	<ol style="list-style-type: none"> 1. Cortocircuito en el cordón de alimentación o en el enchufe 2. Cortocircuito en el motor o conexiones sueltas 3. Fusibles o cortacircuitos incorrectos en la línea de alimentación 	<ol style="list-style-type: none"> 1. Inspeccione el cordón de alimentación o el enchufe para ver que el aislamiento no esté dañado y los conductores no estén cortocircuitados 2. Inspeccione todas las conexiones de conductores en el motor para ver que no haya terminales sueltos o cortocircuitados ni conductores con el aislamiento desgastado 3. Instale fusibles o cortacircuitos correctos
El motor no logra desarrollar toda su potencia (la potencia de salida del motor disminuye rápidamente cuando disminuye el voltaje en los terminales del motor)	<ol style="list-style-type: none"> 1. La línea de alimentación está sobrecargada con luces, artefactos eléctricos y otros motores 2. Cables demasiado cortos o cortocircuitos demasiado largos 3. Sobrecarga general de las instalaciones de la compañía eléctrica 	<ol style="list-style-type: none"> 1. Reduzca la carga en la línea de alimentación 2. Use cables de mayor tamaño o cordones de menor longitud 3. Pida que la compañía eléctrica verifique el voltaje
El motor se sobrecalienta	Motor sobrecargado	Reduzca la carga del motor
El motor se detiene (y los fusibles se queman o los cortacircuitos se abren)	<ol style="list-style-type: none"> 1. Cortocircuito en el motor o conexiones sueltas 2. Voltaje bajo 3. Fusibles o cortacircuitos incorrectos en la línea de alimentación 4. Sobrecarga del motor 	<ol style="list-style-type: none"> 1. Inspeccione las conexiones en el motor para ver que no haya terminales sueltos o cortocircuitados ni conductores con el aislamiento desgastado 2. Corrija las condiciones de bajo voltaje 3. Instale fusibles o cortacircuitos correctos 4. Reduzca la carga del motor
La máquina disminuye la velocidad durante la operación	Se aplica demasiada presión a la pieza de trabajo	Alivie la presión
La correa abrasiva se sale de la rueda superior	El alineamiento es inadecuado	Consulte la operación "Ajuste de Alineación de la Correa"

NOTAS

Get it fixed, at your home or ours!

Your Home

For repair ~ **in your home** ~ of **all** major brand appliances, lawn and garden equipment, or heating and cooling systems, **no matter who made it, no matter who sold it!**

For the replacement parts, accessories and owner's manuals that you need to do-it-yourself.

For Sears professional installation of home appliances and items like garage door openers and water heaters.

1-800-4-MY-HOME® (1-800-469-4663)

Call anytime, day or night (U.S.A. and Canada)

www.sears.com www.sears.ca

Our Home

For repair of carry-in items like vacuums, lawn equipment, and electronics, call or go on-line for the location of your nearest

Sears Parts & Repair Service Center

1-800-488-1222

Call anytime, day or night (U.S.A. only)

www.sears.com

To purchase a protection agreement (U.S.A.)
or maintenance agreement (Canada) on a product serviced by Sears:

1-800-827-6655 (U.S.A.)

1-800-361-6665 (Canada)

Para pedir servicio de reparación
a domicilio, y para ordenar piezas:

1-888-SU-HOGAR®

(1-888-784-6427)

Au Canada pour service en français:

1-800-LE-FOYER^{MC}

(1-800-533-697)

www.sears.ca

The Sears logo is displayed in a large, bold, black serif font. A curved line underneath the letters 'e' and 'a' suggests a swoosh or underline.

® Registered Trademark / ™ Trademark / ™ Service Mark of Sears Brands, LLC

® Marca Registrada / ™ Marca de Fábrica / ™ Marca de Servicio de Sears Brands, LLC

MC Marque de commerce / MD Marque déposée de Sears Brands, LLC

© Sears Brands, LLC