



English

Stock Nos.
2645 / 2655
26945 / 26955

- Do not run pump dry or leave unattended while running. The pump must be unplugged immediately once the water is pumped away.
- Use only 1/2" or larger garden hose.
- If pump is stopped and restarted while pumping, an air blockage may form in the discharge hose. To restart pumping, unplug the pump and drain all water from the hose.
- Not recommended for use in fountains or ponds with fish
- If installed with an extension cord, be sure the cord is 14 gauge wire.
- Regularly inspect pump inlet and clean away any debris.

(800) 432-4029



Français

N^{os} de stock
2645 / 2655
26945 / 26955

- Ne faites pas fonctionner la pompe à sec et ne la laissez pas sans surveillance pendant qu'elle fonctionne. La pompe doit être immédiatement débranchée lorsque toute l'eau a été pompée.
- N'utilisez qu'un tuyau d'arrosage de 1/2 de pouce de diamètre ou plus gros.
- Si la pompe est arrêtée et redémarrée alors qu'elle fonctionnait, un bouchon d'air peut se former dans le tuyau de refoulement. Pour recommencer le pompage, débranchez la pompe et videz toute l'eau du tuyau.
- Utilisation non recommandée avec les réservoirs ou les étangs dans lesquels il y a des poissons.
- Si un cordon prolongateur est utilisé pour l'alimentation en courant, assurez-vous que les conducteurs du cordon prolongateur sont du calibre 14.
- Inspectez régulièrement l'admission de la pompe et enlevez tous les débris.

(800) 432-4029

Nozzle/Venturi Replacement and Cleaning

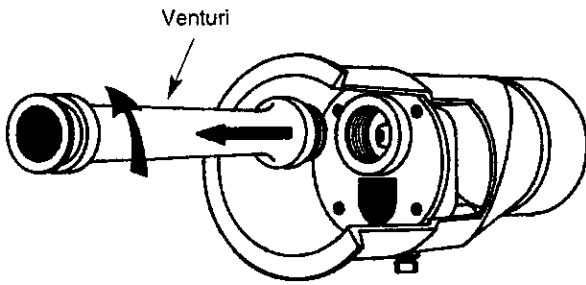


Figure 1

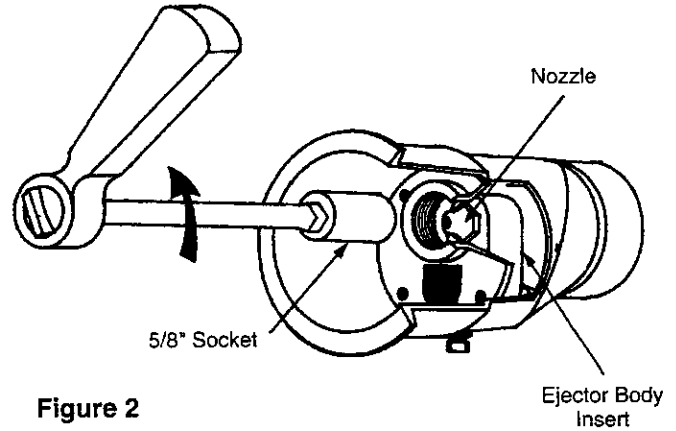


Figure 2

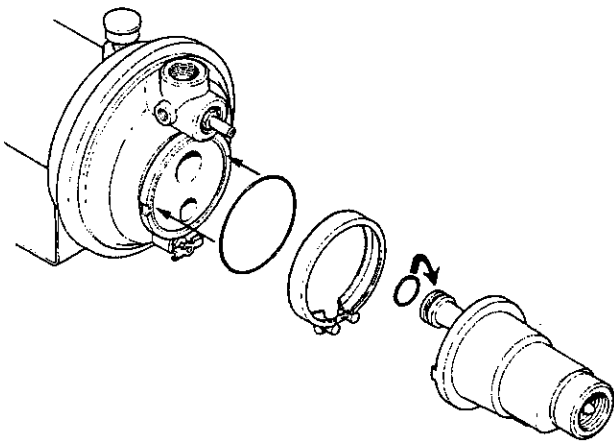


Figure 3

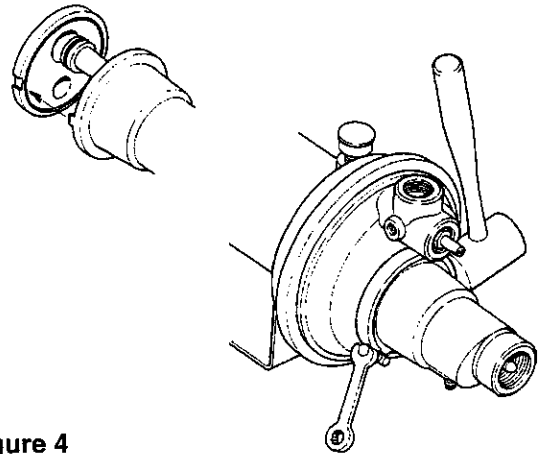


Figure 4

Cleaning/Replacing the Shallow Well Ejector

1. **Disconnect power and release all pressure on system before proceeding.**
2. If tank has an air volume control (for standard tank applications), unscrew compression nut from fitting under ejector. Remove tube from fitting.
3. Remove suction piping from pump.
4. Remove clamp and O-ring holding shallow well ejector to pump body.
5. Remove ejector from pump body. Be careful not to damage O-ring.
6. Remove venturi by unscrewing it (turn counterclockwise; see Figure 1).
7. Remove nozzle (if necessary) by unscrewing it with a 5/8" deep well socket wrench (see Figure 2).
8. Clean venturi and nozzle by carefully inserting an ice pick or other small diameter pointed tool or wire, and dislodging foreign material.

NOTICE: Be careful not to enlarge hole in nozzle or venturi. If it is not possible to remove nozzle, it may be cleaned in place. In this case, flush loose debris out of ejector by running water through the nozzle in the same direction as the dislodging tool was inserted. If venturi and nozzle cannot be cleaned or if they are damaged while cleaning, replace.

9. Replace nozzle and venturi by turning in clockwise until snug. **Do not overtighten.**
10. **BE SURE** O-rings, O-ring grooves and clamp are clean.
11. Place O-Rings in grooves on venturi and pump flange (see Figure 3).
12. Insert venturi into upper pump port; be sure tabs and slots align (see Figure 4).
13. Install clamp and snug up; alternately tighten clamp screw and tap clamp with mallet to seat O-ring (see Figure 4).
14. Prime pump as described under "Operation"

SEE OTHER SIDE OF SHEET FOR PARTS LIST

**SHALLOW WELL JET
STOCK NO. 29650**

Shallow Well Jet and Check Valve Assemblies for Models

390.251101 - 390.251901 - 390.252201 - 390.2511

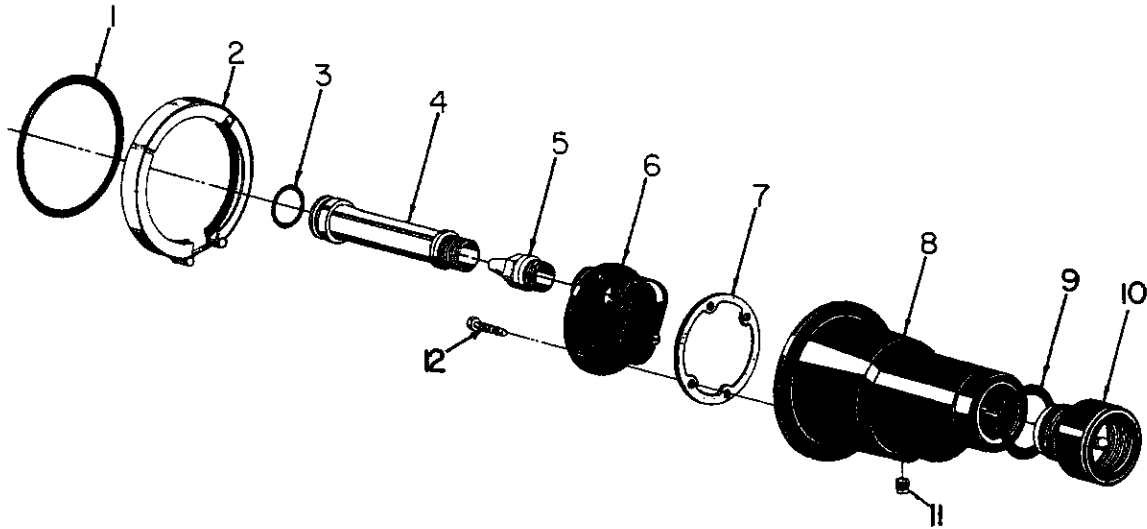
390.251180 - 390.251980 - 390.252280 - 390.2522

390.251181 - 390.251981 - 390.252281 - 390.2519

390.251182 - 390.251982 - 390.252282

390.251183 - 390.251983 - 390.252283

NOTICE: Shallow well jet comes with venturi N32P-72 and nozzle J34P-41 installed.



REPAIR PARTS LIST

Key No.	Part Number	Part Description
1	U9-202	"O" Ring - Jet Body
2	J19-6	Clamp
3	U9-201	"O" Ring - Venturi
4	N32P-63	Venturi (Use with Models, 390.251101, 390.251901, 390.252201, 390.252280, 390.252281, 390.252282, 390.252283, 390.2522)
4	N32P-72E	Venturi (Use with Models 390.251980, 390.251981, 390.251982, 390.251983, 390.2519)
4	N32P-72	Venturi (Use with Models 390.251180, 390.251181, 390.251182, 390.251183, 390.2511)
5	J34P-41	#51 Nozzle (Use with Models 390.2351101, 390.251901, 390.252201, 390.251180, 390.251181, 390.251182, 390.252280, 390.252281, 390.252282, 390.251183, 390.252283, 390.2511, 390.2522)
5	J34P-44	#54 Nozzle (Use with Models 390.251980, 390.251981, 390.251982, 390.251983, 390.2519)
6	N40-39P	Insert - Jet Body
7	J20-18	Gasket
8	N40-38P	Jet Body
9	U9-226	"O" Ring - Check Valve
10	N166-5P	Check Valve (Complete)
11	WC78-41T	Pipe Plug - 1/8" NPT - Sq. Hd.
12	U30-742SS	Screw - #10 - 16 x 1-1/8" Lg. (4 Req.)

SEE OTHER SIDE OF SHEET FOR ASSEMBLY INSTRUCTIONS