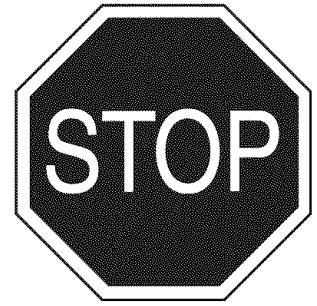


Owner's Manual

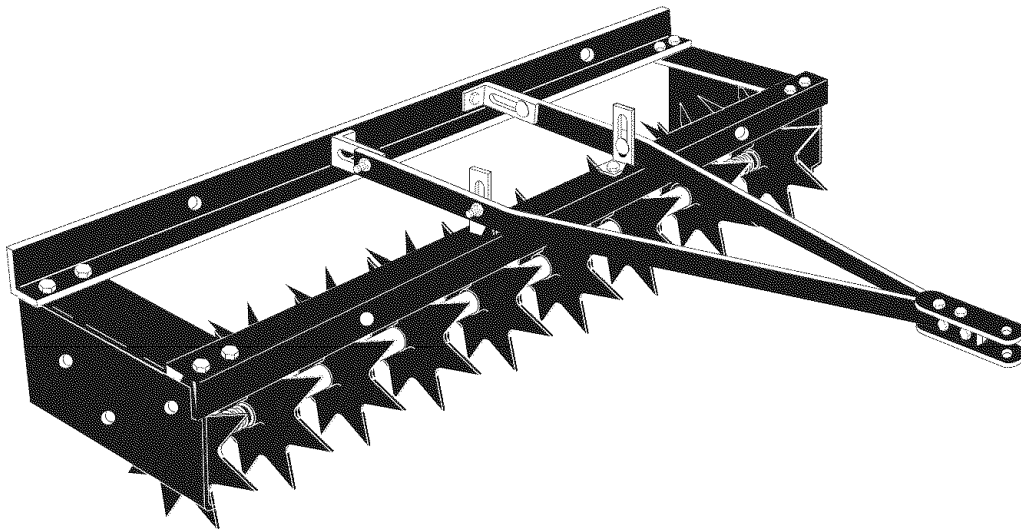


36" SPIKE AERATOR

Model No. 486.243361



DO NOT RETURN TO STORE
For Missing Parts or Assembly
Questions Call 1-866-576-8388



CAUTION:

Before using this product, read this manual and follow all Safety Rules and Operating Instructions.

- Safety
- Assembly
- Operation
- Maintenance
- Parts

Sears, Roebuck and Co., Hoffman Estates, IL 60179 U.S.A.
www.sears.com/craftsman

PRINTED IN U.S.A.

FORM NO. 40505 (12/06)



TABLE OF CONTENTS



Safety Rules	2	Maintenance	6
Warranty	2	Storage	6
Full Size Hardware Chart	3	Repair Parts Illustration	7
Assembly	4	Repair Parts List	7
Operation	6	Parts Ordering/Service	Back Cover



SAFETY



Any power equipment can cause injury if operated improperly or if the user does not understand how to operate the equipment. Exercise caution at all times when using power equipment.

- Read the owners manual carefully for operating and service instructions before attempting to assemble or operate this equipment. Be thoroughly familiar with the proper use of this equipment.
- Read the vehicle owners manual and vehicle safety rules, and know how to operate the vehicle before using this equipment.
- Never allow children to operate the tractor or spike aerator attachment, and do not allow adults to operate without proper instructions.
- Wear eye protection when operating the aerator.
- Wear substantial footwear when operating the aerator.
- Do not allow anyone to ride or sit on spike aerator attachment frame or on towing vehicle.
- Keep the area of operation clear of all persons, particularly small children, and also pets.
- Always begin with the transmission in first (low) gear and engine at low speed, and gradually increase speed as conditions permit.
- The vehicle braking and stability may be affected with the attachment of this equipment. Be aware of changing conditions on slopes. Refer to safety rules in the vehicle owner's manual concerning safe operation on slopes. **STAY OFF OF STEEP SLOPES.**
- Always operate up and down a slope, never across the face of a slope
- This equipment should be operated at reduced speed on rough terrain, along creeks and ditches and on hillsides, to prevent tipping and loss of control. Do not drive too close to a creek or a ditch.
- Do not tow this equipment on a highway or any other public thoroughfare.
- Follow the maintenance instructions as outlined in this owners manual.



Look for this symbol to point out important safety precautions. It means--**Attention!! Become alert!!** Your safety is involved.



WARRANTY



ONE YEAR FULL WARRANTY

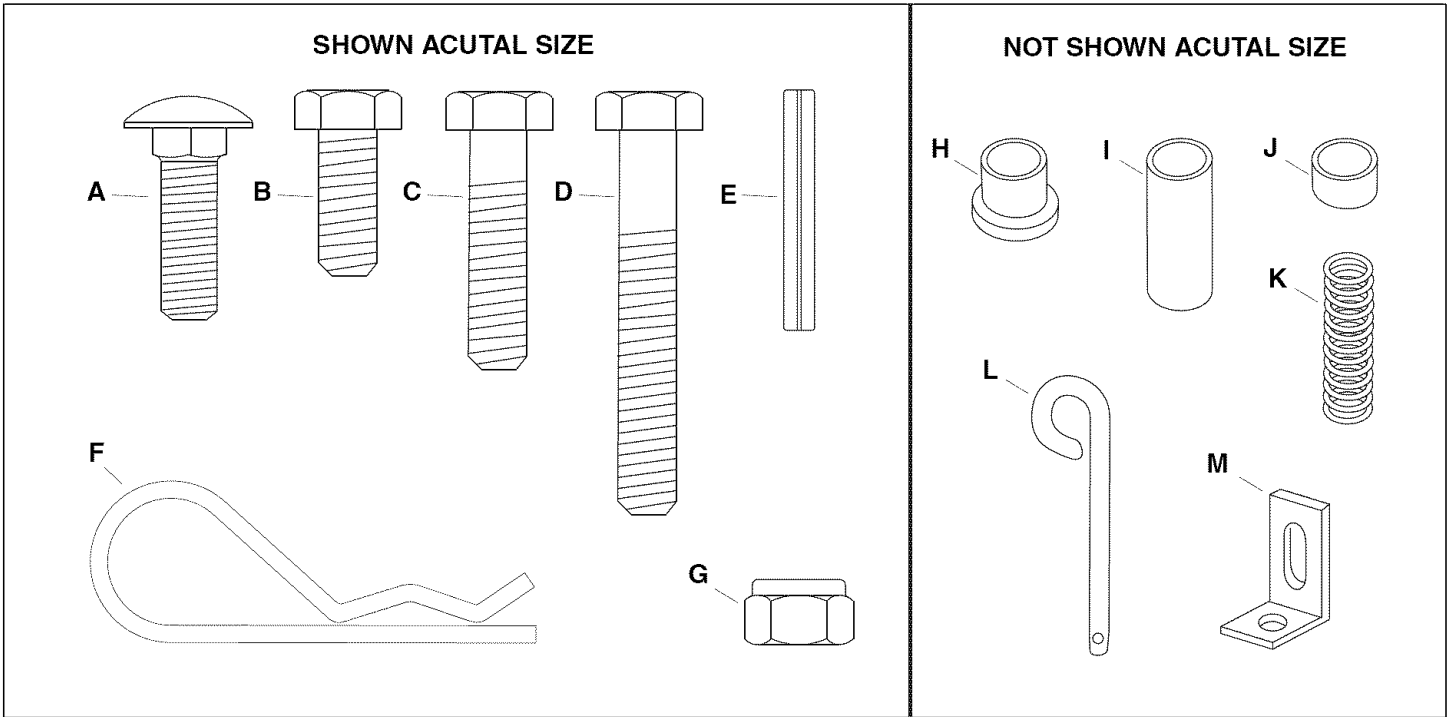
When operated and maintained according to the instructions supplied with it, if this Spike Aerator fails due to a defect in material or workmanship within one year from the date of purchase, call 1-800-4-MY-HOME® to arrange for free repair (or replacement if repair proves impossible).

If this product is used for commercial or rental purposes, this warranty applies for only 90 days from the date of purchase.

This warranty gives you specific legal rights, and you may also have other rights which vary from state to state.

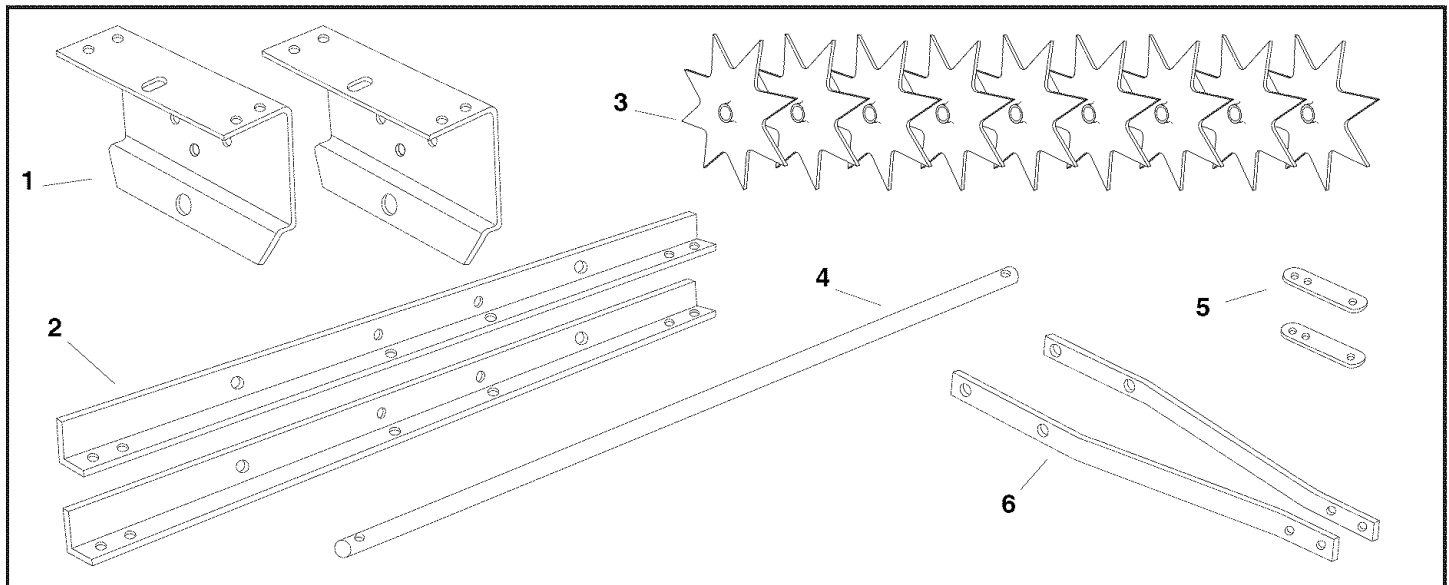
Sears, Roebuck and Co., D817WA, Hoffman Estates, IL 60179

HARDWARE PACKAGE CONTENTS



Ref.	Qty.	Description	Ref.	Qty.	Description
A	4	Bolt, Carriage, 5/16" x 1"	H	11	Flanged Bearing
B	12	Bolt, Hex, 5/16" x 3/4"	I	6	Spacer Tube, Long
C	2	Bolt, Hex, 5/16" x 1-1/4"	J	2	Spacer Tube, Short
D	2	Bolt, Hex, 5/16" x 2"	K	2	Spring
E	2	Spring Pin, 1/4" x 1-1/4"	L	1	Hitch Pin
F	1	Hair Cotter Pin	M	4	Hitch Arm Mount Bracket
G	20	Nut, Nylock 5/16"			

CARTON CONTENTS



- 1. End Plate (2)
 - 2. Frame Angle (2)
 - 3. Spike Disk (9)
 - 4. Axle
 - 5. Hitch Bracket (2)
 - 6. Hitch Mount Arm (2)
- Hardware Pack (Shown above)

ASSEMBLY



CAUTION: The spike disks have sharp points. To avoid injury, use extra care when handling the disks and when assembling the aerator.

TOOLS REQUIRED FOR ASSEMBLY

- (2) 1/2" open or boxed end wrench
- (1) Hammer

Lay out and identify all parts and hardware as shown in Carton Contents and Hardware Pack illustrations.

- Assemble the two frame angles (one with the bend up and the other with the bend down) to the two end plates using eight 5/16" x 3/4" hex bolts and eight 5/16" nylock nuts. Make sure that the frame is squared up, and then **tighten**. See figure 1.

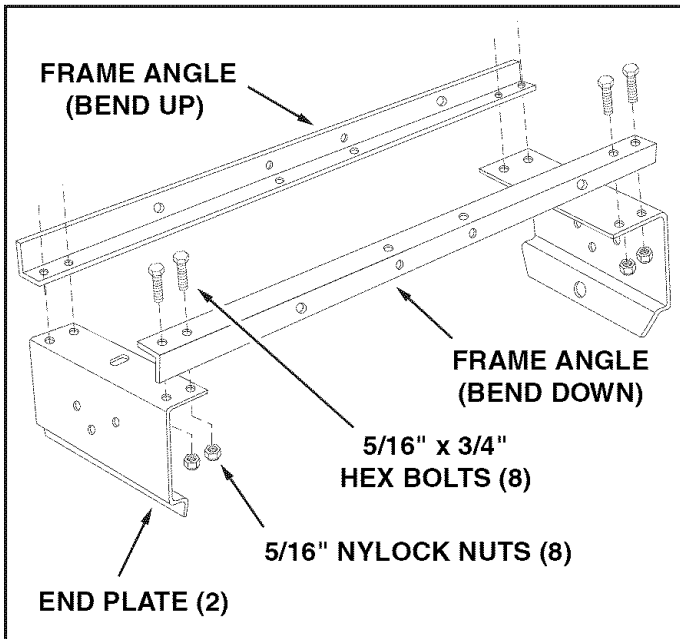


FIGURE 1

- Using a hammer, drive a spring pin into a hole in the axle until the pin just extends through the other side of the axle. Next, assemble a flanged bearing onto the axle as shown. See figure 2.

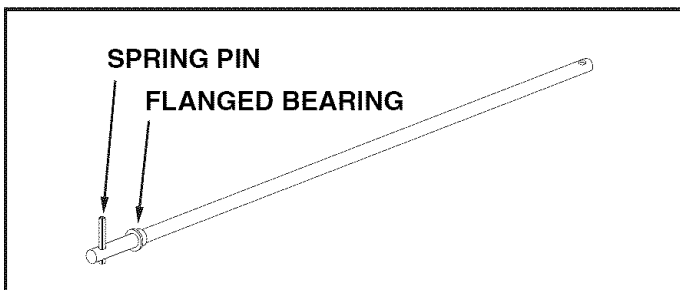


FIGURE 2

- Carefully press or hammer a flanged bearing into each spike disk from the side shown in figure 3.

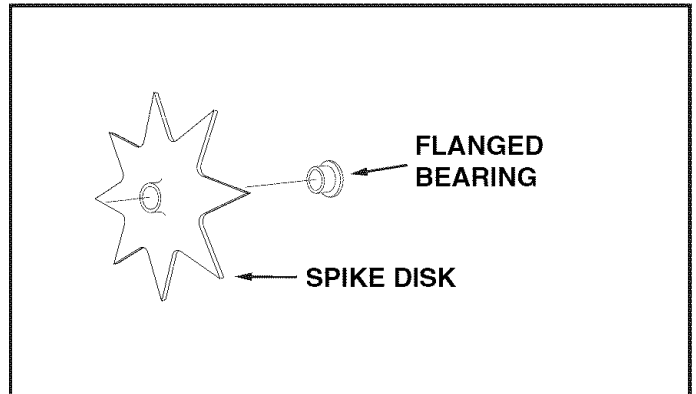


FIGURE 3

- Insert the end of the axle through one of the end plates. See figure 4.
- Assemble onto the axle, in order, a short spacer, a spike disk and a spring. See figure 4.

NOTE: All spike disks should face the same direction.

- Next, starting with a spike disk, assemble seven spike disks and six long spacers onto the axle. See figure 4.
- Finally, assemble a spring, a spike disk and a short spacer onto the axle. Push the end of the axle through the second end plate. See figure 4.

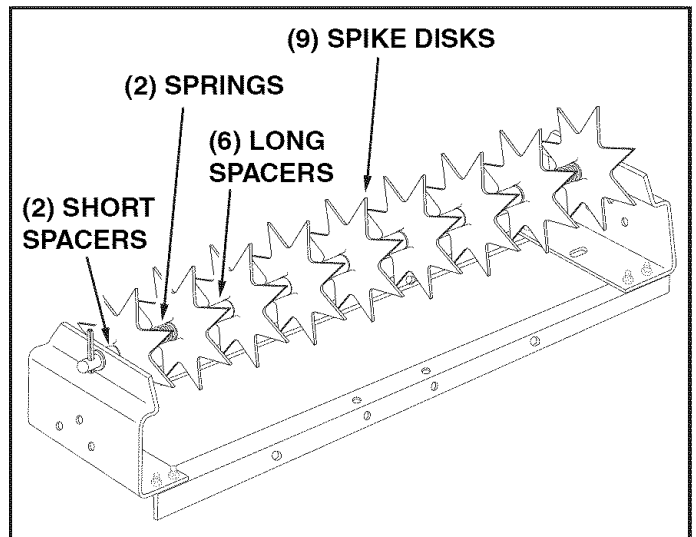


FIGURE 4

- Slide a flanged bearing onto the axle and push it into the hole in the end plate. See figure 5.
- Drive a spring pin into the hole in the axle until the pin just extends through the other side of the axle. The spring pins secure the axle in the frame and should also prevent the axle from rotating. See figure 5.

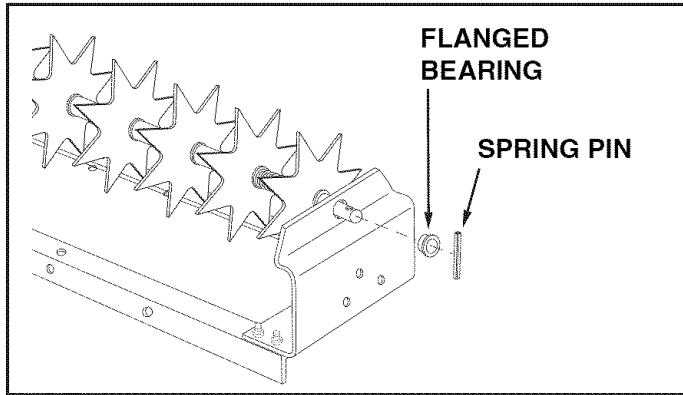


FIGURE 5

- Attach two hitch arm mount brackets to the middle holes in the rear frame angle using two 5/16" x 3/4" hex bolts and two 5/16" nylock nuts. **Do not tighten completely.** See figure 6.
- Attach two hitch arm mount brackets to the middle holes in the front frame angle using two 5/16" x 3/4" hex bolts and two 5/16" nylock nuts. **Do not tighten completely.** See figure 6

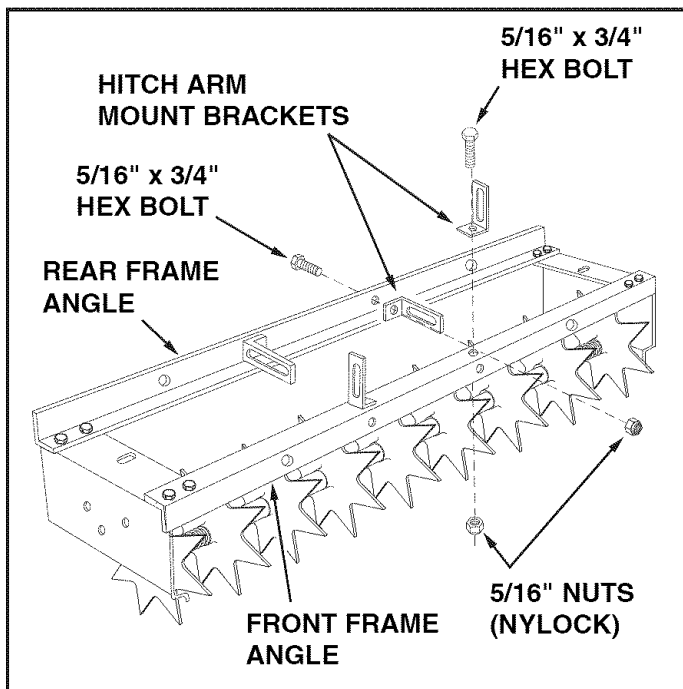


FIGURE 6

- Assemble the hitch mount arms to the **outside** of the four hitch arm mount brackets as shown in figure 7. Use four 5/16" x 1" carriage bolts and four 5/16" nylock nuts. **Do not tighten yet.** See figure 7.

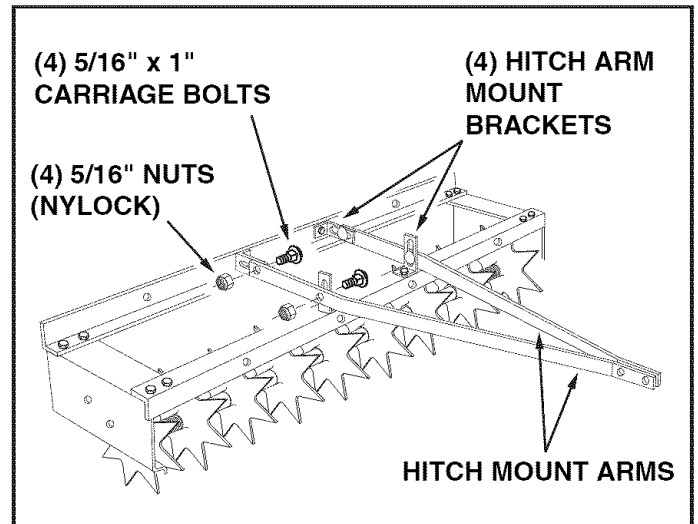


FIGURE 7

- Assemble the ends of the hitch mount arms together using two 5/16" x 1-1/4" hex bolts and two 5/16" nylock nuts as shown in figure 8. **Do not tighten yet.**
- Assemble the hitch brackets to the hitch mount arms using two 5/16" x 2" hex bolts and two 5/16" nylock nuts as shown in figure 8. **Do not tighten yet.**

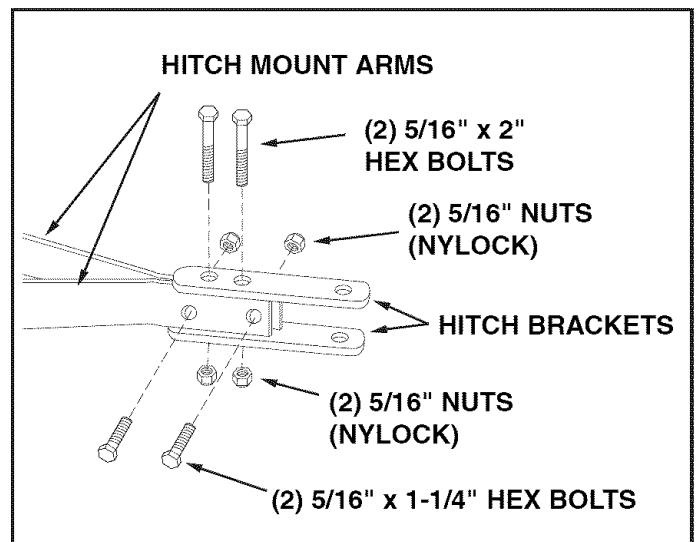


FIGURE 8

- **Tighten** the bolts assembled in figure 6. **Tighten** the bolts assembled in figure 7. **Tighten** the bolts assembled in figure 8.
- Attach the aerator to your tractor using the hitch pin and the hair cotter pin.

OPERATION



CAUTION: Spike disks have sharp points. Exercise caution at all times when using the aerator.

- To prevent lawn damage, avoid sharp turns.
- On sloped lawns aerate in up and down direction. **DO NOT** aerate across the face of slopes.
- To increase spike point depth penetration add weight as required. The aerator frame holds up to three concrete blocks at approximately 35 pounds each. Weights can be secured to frame with straps or other binding material. See figure 9.

BEFORE USING YOUR AERATOR

- **DO NOT** attempt to aerate if ground is muddy.
- If ground is extremely hard or dry, it is recommended that it be watered down for 1 or 2 hours prior to use.
- Mow lawn and remove loose clippings prior to use of lawn aerator.
- Attach the aerator to the tractor hitch and check to see that the aerator is level. Adjust by loosening the bolts which fasten the hitch mount arms to the hitch arm mount brackets. Raise or lower the position of the arms until the aerator is level. See figure 9.

HOW TO USE YOUR AERATOR

Aerating cuts small holes in the soil to create reservoirs that bring oxygen, fertilizer and water into the root zone. For best performance of the spike aerator attachment, the following lawn preparation and operation is recommended.

- Start tractor engine with controls in neutral and place throttle at slow engine speed.
- Engage shift lever into lowest possible forward speed and increase speed as conditions permit.
- Aerate in the straightest line possible, making overlapping passes to increase spike point pattern.

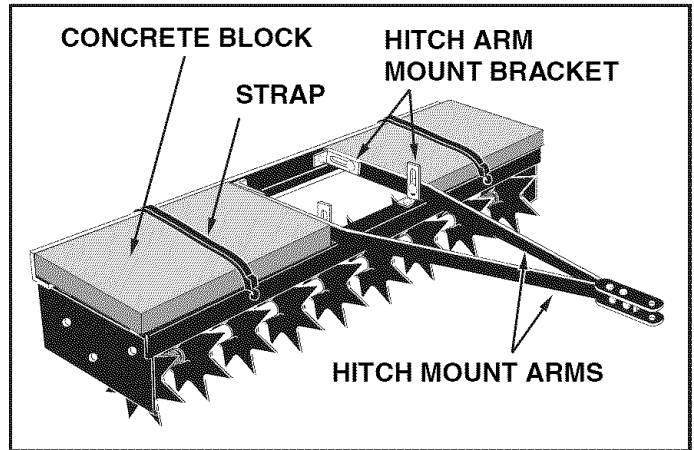


FIGURE 9

MAINTENANCE/STORAGE

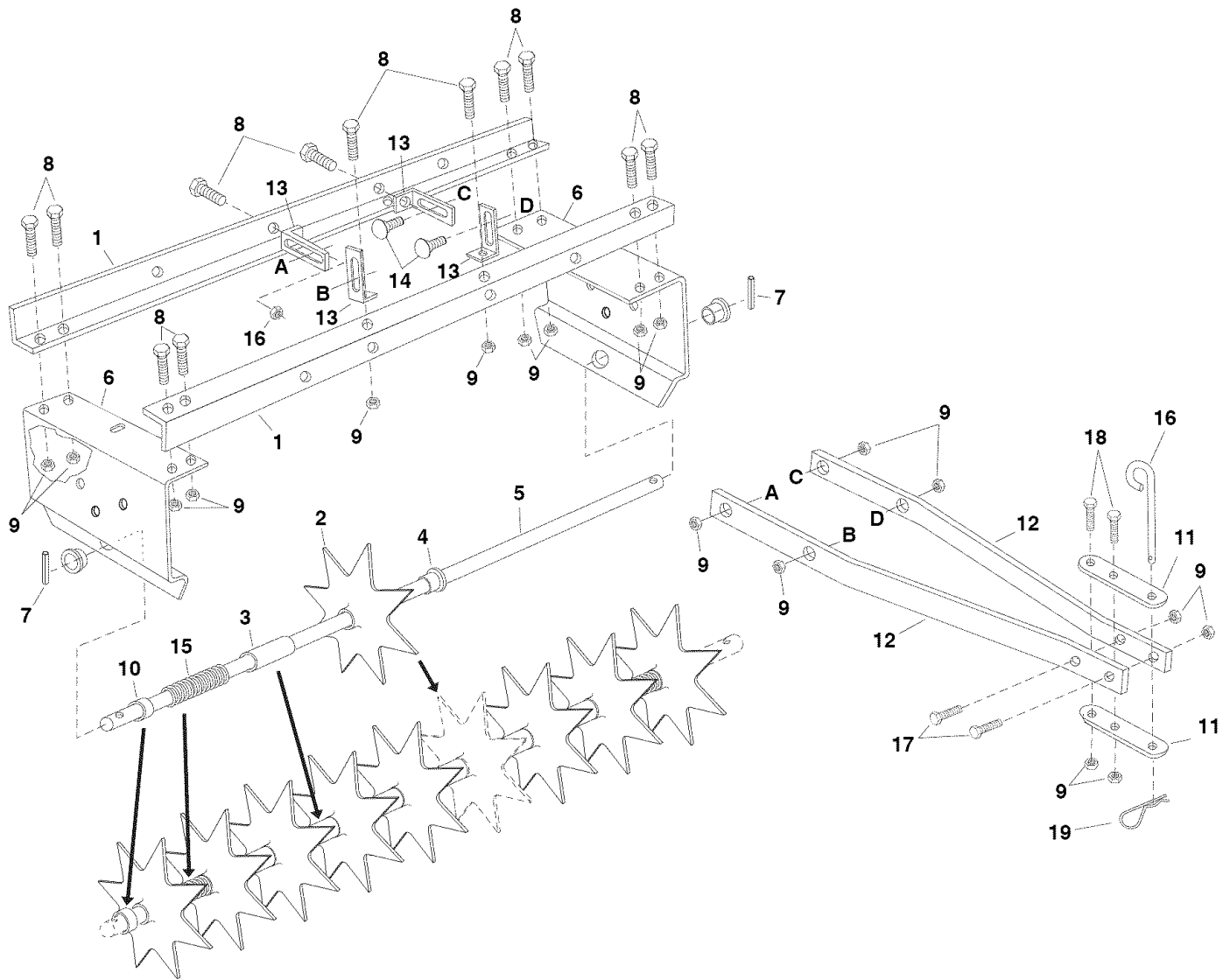
CUSTOMER RESPONSIBILITIES

- Read and follow the maintenance schedule and the maintenance procedures listed in this section.

MAINTENANCE SCHEDULE Fill in dates as you complete regular service.	Service Dates											
	Before each use	After each use	Every season	Before storage								
Check for loose fasteners	X											
Check for worn or damaged parts	X		X									
Cleaning		X	X									
Lubricate Spike Disk Hubs			X									

- Spiker points can be sharpened with a small grinder periodically to maintain good penetration. Spike disks should be removed to sharpen points.
- Before each use check nuts and bolts for tightness.
- Clean after each use. If rust appears on shield or spikes, sand lightly and coat with enamel paint.
- Lubricate the spike disk hubs with a small amount of light oil or grease at the beginning of each season.
- Always store in dry area when not in use. Coat bare metal with light oil or paint.

PARTS



PARTS LIST FOR 36" SPIKE AERATOR MODEL NO. 486.243361

REF. NO.	PART NO.	QTY.	DESCRIPTION	REF. NO.	PART NO.	QTY.	DESCRIPTION
1	24012	2	Angle Frame	11	23981	2	Bracket, Hitch
2	24332	9	Disc, Spike	12	23914	2	Arm, Hitch Mount
3	45151	6	Spacer Tube, Long	13	23442	4	Bracket, Hitch Arm Mount
4	741-0249	11	Bearing, Flanged	14	44326	4	Bolt, Carriage 5/16-18 x 1"
5	26143	1	Axle	15	47777	2	Spring
6	23903	2	End Plate	16	23353	1	Hitch Pin
7	44665	2	Pin, Spring	17	43840	2	Bolt, Hex 5/16-18 x 1-1/4"
8	43182	12	Bolt, Hex 5/16-18 x 3/4"	18	44180	2	Bolt, Hex 5/16-18 x 2"
9	47810	20	Nut, Nylock 5/16-18	19	43343	1	Hair Cotter Pin
10	48130	2	Spacer Tube, Short		40505	1	Owner's Manual

Get it fixed, at your home or ours!

Your Home

For repair – **in your home** – of **all** major brand appliances, lawn and garden equipment, or heating and cooling systems, **no matter who made it, no matter who sold it!**

For the replacement parts, accessories and owner's manuals that you need to do-it-yourself.

For Sears professional installation of home appliances and items like garage door openers and water heaters.

1-800-4-MY-HOME® (1-800-469-4663)

Call anytime, day or night (U.S.A. and Canada)

www.sears.com www.sears.ca

Our Home

For repair of carry-in items like vacuums, lawn equipment, and electronics, call or go on-line for the location of your nearest **Sears Parts & Repair Center.**

1-800-488-1222

Call anytime, day or night (U.S.A. only)

www.sears.com

To purchase a protection agreement (U.S.A.) or maintenance agreement (Canada) on a product serviced by Sears:

1-800-827-6655 (U.S.A.)

1-800-361-6665 (Canada)

Para pedir servicio de reparación a domicilio, y para ordenar piezas:

1-888-SU-HOGAR®

(1-888-784-6427)

Au Canada pour service en français:

1-800-LE-FOYER^{MC}

(1-800-533-6937)

www.sears.ca

The Sears logo is centered at the bottom of the page. It features the word "Sears" in a bold, serif font. The letter "S" is significantly larger and more stylized than the other letters. A curved line or swoosh is positioned beneath the letters "e", "a", and "r".