

Operator's Manual

CRAFTSMAN®

Mid-Engine Rider

**13.5 HP. Electric Start
30" Mower / Mulcher
Hydrostatic Drive**

Model 536.270301

CAUTION: Before using this product, read this manual and follow all of its Safety Rules and Operating Instructions.

Manual del usuario

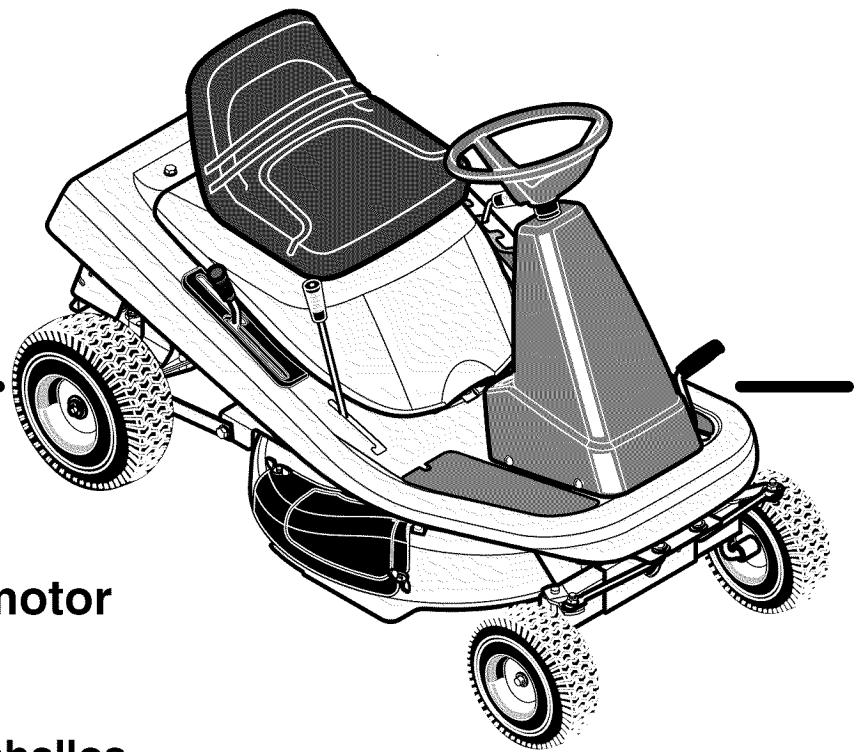
**Tractor cortacésped con motor
situado detrás del asiento**

**Arranque eléctrico de 13,5 caballos
Cortacésped / trituradora de 76 cm.
Transmisión hidrostática**

Modelo 536.270301

PRECAUCIÓN: Antes de usar este producto, lea este manual y siga todas las reglas de seguridad e instrucciones de operación.

- Safety
- Operation
- Maintenance
- Parts



- Seguridad
- Operación
- Mantenimiento
- Piezas

Sears, Roebuck and Co., Hoffman Estates, IL. 60179 U.S.A.

TABLE OF CONTENTS

WARRANTY	2	MAINTENANCE	21
PRODUCT SPECIFICATIONS	3	SERVICE AND ADJUSTMENT	27
SAFETY RULES	4	TROUBLE SHOOTING CHART	36
PREPARATION	7	SLOPE GUIDE	38
OPERATION	10	REPAIR PARTS	40

LIMITED WARRANTY ON CRAFTSMAN RIDING EQUIPMENT

For two (2) years from the date of purchase, if this Craftsman Riding Equipment is maintained, lubricated and tuned up according to the instructions in the owner's manual, Sears will repair or replace free of charge any parts that are found to be defective in material or workmanship according to the guidelines of coverage listed below.

Sears will also provide free labor for these applicable warranted parts for the two full years. During the first 30 days of purchase, there will be no charges to service the product at your home for issues covered by this warranty. (See exclusions below).

For your convenience, IN HOME warranty service will still be available after the first 30 days of purchase, but a trip charge will apply. This charge will be waived if the Craftsman product is dropped off at an authorized Sears location. For the nearest authorized Sears location, please call 1-800-4-MY-HOME®. This warranty applies only while this product is within the United States.

This Warranty does not cover:

- Expendable items which become worn during normal use, including but not limited to blades, spark plugs, air cleaners, belts, and oil filters.
- Standard Maintenance Servicing, oil changes, or tune-ups
- Tire replacement or repair caused by punctures from outside objects, such as nails, thorns, stumps or glass.
- Repairs necessary because of operator abuse, including but not limited to, damage caused by towing objects beyond the capability of the riding equipment, impacting objects that bend the frame or crankshaft, or over-speeding the engine.
- Repairs necessary because of operator negligence, including but not limited to, electrical and mechanical damage caused by improper storage, failure to use the proper grade and amount of engine oil, failure to keep the deck clear of flammable debris, or failure to maintain the equipment according to the instructions contained in the owner's manual.
- Engine (fuel system) cleaning or repairs caused by fuel determined to be contaminated or oxidized (stale). In general, fuel should be used within 30 days of its purchase date.
- Normal deterioration and wear of the exterior finishes, or product label replacement.
- Riding equipment used for commercial or rental purposes.

LIMITED WARRANTY ON BATTERY

For ninety (90) days from date of purchase, if any battery included with this riding equipment proves defective in material or workmanship and our testing determines the battery will not hold a charge, Sears will replace the battery at no charge. During the first 30 days of purchase, there will be no charges to replace the battery at your home. After the first 30 days, for your convenience, IN-HOME warranty service will still be available but a trip charge will apply. This charge will be waived if the Craftsman product is dropped off at an authorized Sears location. For the nearest authorized Sears location, please call 1-800-4-MY-HOME®. This Warranty applies only while this product is within the United States. This warranty gives you specific legal rights, and you may also have other rights, which vary, from state to state.

Sears, Roebuck and Co., Dept. 817WA, Hoffman Estates, IL 60179

Congratulations on your purchase of a Craftsman Mid-Engine Rider. It has been designed, engineered and manufactured to give you the best possible dependability and performance. If you experience any problems you cannot easily remedy, please see your nearest Sears Service Center. We have competent, well trained technicians and the proper tools to service or repair this unit. Please read and keep this manual. The instructions will enable you to assemble and maintain your unit properly. Always observe the "Safety Rules".

PRODUCT SPECIFICATIONS

- Engine 13.5 HP.
- Bore** 3.44 in. (87.31 mm)
- Stroke** 3.06 in. (77.78 mm)
- Displacement** 28.42 cu. in. (466 cc)
- Armature air gap** 0.010-0.014 in. (0.25-0.36 mm)
- Valve Clearance with valve springs installed and piston 0.25 in. (6 mm) past top dead center (check when engine is cold)**
- Intake** 0.003-0.005 in. (0.08-0.13 mm)
- Exhaust** 0.005-0.007 in. (0.13-0.18 mm)
- Charging System** 3 amperes at 3600 rpm
- Fuel Tank Size** 1.1 gallon
- Type of Fuel** Unleaded Regular
- Oil Capacity** 48 ounces (3 pints)
- Oil Type** Above 32 degrees SAE 30
- Below 32 degrees SAE 5W30
- Spark Plug (Gap 0.030")** .. Champion RJ4C
- Tire Air Pressure** Front 22 psi (See tire sidewall)
- Tire Air Pressure** Rear 14 psi (See tire sidewall)
- Drive System** Hydrostatic
- Ground Speed Range** Forward 5.0 mph
- Reverse 2.5 mph
- Tilt Seat** Access to engine and battery.
- Mower Housing** Floating suspension, one blade.
- Cutting Height** 6 positions from 1 1/2 to 4 inches.
- Blade Nut Torque** 30 foot-pounds (ft-lbs)

Power Ratings: The power ratings for an individual engine model are initially developed by starting with SAE (Society of Automotive Engineers) code J1940 (Small Engine Power & Torque Rating Procedure) (Revision 2002-05). Given both the wide array of products on which our engines are placed, and the variety of environmental issues applicable to operating the equipment, it may be that the engine you have purchased will not develop the rated horsepower when used in a piece of power equipment (actual "on-site" power). This difference is due to a variety of factors including, but not limited to, the following: differences in altitude, temperature, barometric pressure, humidity, fuel, engine lubrication, maximum governed engine speed, individual engine to engine variability, design of the particular piece of power equipment, the manner in which the engine is operated, engine run-in to reduce friction and clean out of combustion chambers, adjustments to the valves and carburetor, and other factors. The power ratings may also be adjusted based on comparisons to other similar engines utilized in similar applications, and will therefore not necessarily match the values derived using the foregoing codes.

NOTE: Actual sustained horsepower will likely be lower due to operating limitations and environmental factors.

F-050610L

Craftsman Mid-Engine Rider

Record in the space below the serial number and the date of purchase of this unit.

The model number and serial number are found on a decal attached to the unit.

Model Number: 536.270301

Serial Number: _____

Date of Purchase: _____

Keep these numbers for future reference.

REPAIR PROTECTION AGREEMENT

A Repair Protection Agreement is available on this unit. See the nearest Sears Store for information.

WARNING:

Engine Exhaust, some of its constituents, and certain vehicle components contain or emit chemicals known to the State of California to cause cancer and birth defects or other reproductive harm.

Battery posts, terminals and related accessories contain lead and lead compounds, chemicals known to the State of California to cause cancer and birth defects or other reproductive harm. WASH HANDS AFTER HANDLING.

NOTE: This unit is equipped with an internal combustion engine and must not be used on or near any unimproved forest-covered, brush-covered or grass-covered land unless the engine's exhaust system is equipped with a spark arrester meeting applicable local or state laws (if any). If a spark arrester is used, it must be maintained in effective working order by the operator.

In the State of California, the above is required by law (Section 4442 of the California Public Resources Code). Other states may have similar laws. Federal laws apply on federal lands. See a Sears Service Center for a spark arrester for the muffler.

In some areas, local law requires the use of a resistor spark plug to control the ignition signals. See a Sears Service Center for a resistor spark plug for the engine.

In the state of California, Model Series 280000 engines are certified by the California Air Resources Board to meet emissions standards for 125 hours. Such certification does not grant the purchaser, owner or operator of this engine any additional warranties with respect to the performance or operational life of this engine. This engine is warranted solely according to the product and emissions warranties stated elsewhere in this manual.

SAFETY RULES

Safe Operation Practices for Ride-on Mowers



WARNING: This cutting machine is capable of amputating hands and feet and throwing objects. Failure to observe the following safety instructions could result in serious injury or death.

I. General operation

1. Read, understand and follow all instructions in the Instruction Book, on the machine, the engine and with any attachments before starting.
2. Only allow responsible adults, who are familiar with the instructions, to operate the machine.
3. Clear the area of objects such as rocks, toys, wire, etc., which could be picked up and thrown by the blade.
4. Be sure the area is clear of other people before mowing. Stop the machine if anyone enters the area.
5. Never carry passengers.
6. Turn off power to the blades or any attachments before backing up. Do not mow in reverse unless absolutely necessary. Always look down and behind before and while backing.
7. Be aware of the mower discharge direction and do not point it at anyone. Do not operate the mower without either the entire grass bagger or the mower guard in place.
8. Slow down before turning.
9. Never leave a machine unattended with the engine running. Always turn off the blade(s), set the parking brake, stop the engine and remove the key before dismounting.
10. Turn off power to attachment(s) when transporting or not in use. Turn off the blade(s) when not mowing.
11. Stop the engine before removing the grass bagger or unclogging the chute.
12. Mow only in daylight or good artificial light.
13. Do not operate the machine while under the influence of alcohol or drugs or when very tired.
14. Watch for traffic when operating near or crossing roadways.
15. Use extra caution when loading or unloading the machine into a trailer or truck.
16. Disengage all attachment clutches and shift into Neutral before attempting to start the engine.
17. Always wear goggles, safety glasses, or an eye shield when you operate the unit to protect your eyes from foreign objects that can be thrown from the unit. Always wear eye protection when you make an adjustment or repair to the machine.
18. Use care when pulling loads or using heavy equipment.
 - a. Use only approved drawbar hitch points.
 - b. Limit loads to those you can safely control.
 - c. Do not turn sharply. Use care when backing.
 - d. Use counterweights or wheel weights when suggested in the Instruction Book.
19. Do not operate this machine if you are taking drugs or other medication which can cause drowsiness or affect your ability to operate this machine.
20. Do not use this machine if you are mentally or physically unable to operate this machine safely.

21. Data indicates that operators, age 60 years and above, are involved in a large percentage of riding mower related injuries. These operators should evaluate their ability to operate a riding mower safely enough to protect themselves and others from serious injury.

II. Slope operation

Slopes and rough terrain are major factors related to loss-of-control and tip-over accidents, which can result in severe injury or death. ALL slopes require extra caution. If you cannot back up the slope or if you feel uneasy on the slope, do not mow it. See the "Slope Guide" in the back of this book to check for safe operation.

DO

1. Mow up and down slopes, not across.
2. Remove obstacles such as rocks, limbs, etc...
3. Watch for holes, ruts or bumps. Uneven terrain could overturn the machine. *Tall grass can hide obstacles.*
4. Follow the manufacturer's recommendations for wheel weights or counterweights to improve stability.
5. Use extra care with grass baggers or other attachments, they can change the stability of the machine.
6. Keep all movement on the slopes **slow and gradual**. Do not make sudden changes in speed or direction.
7. Avoid starting or stopping on a slope. If tires lose traction, turn off the blades and proceed slowly **straight down** the slope.

DO NOT

1. **Do not** turn on slopes unless absolutely necessary, then only turn slowly and gradually downhill, if possible.
2. **Do not** mow drop-offs, ditches or embankments. A wheel over the edge or an edge caving in could cause a sudden overturn and an injury or death.
3. **Do not** mow on wet grass. Reduced traction could cause sliding.
4. **Do not** try to stabilize the machine by putting your foot on the ground.
5. **Do not** use a grass bagger or other rear mounted accessories on steep slopes (greater than 10 degrees).

III. Children

Tragic accidents can occur if the operator is not alert to the presence of children. Children are often attracted to the machine and the mowing activity. NEVER assume that children will remain where you last saw them.

1. Keep children out of the mowing area and in the watchful care of another responsible adult.
2. Be alert and turn the engine off if children enter the area.
3. Before and when backing, look **behind and down** for small children.

SAFETY RULES

4. Never carry children or any passengers, even with the blades off. They may fall off and be seriously injured or interfere with the safe operation of the machine.
5. Never allow children to operate the machine. Instruct children in the potential dangers of the machine.
6. Use extra care when approaching blind corners, shrubs, trees or other objects that may obscure vision.
5. To reduce fire hazards, keep the machine free of grass, leaves or other debris build-up. Clean up oil or fuel spills. Allow the machine to cool before storing.
 - a. Allow muffler and engine areas to cool before touching.
6. Stop and inspect the equipment if you strike an object. Repair, if necessary, before restarting.
7. Never make adjustments or repairs with the engine running. The carburetor can be adjusted with the engine running. Do not change the engine governor settings or over-speed the engine.
8. Grass bagger components are subject to wear, damage and deterioration, which could expose moving parts or allow objects to be thrown. For storage, always make sure the grass bag is empty. Frequently check components and replace with manufacturer's recommended parts when necessary.
9. Mower blade(s) are sharp and can cut. Wrap the blade(s) or wear gloves and use extra caution when servicing them or the blade housing area.
10. Check the brake operation frequently. Adjust and service as required.
11. Wait for all movement to stop before servicing any part of the unit.


IV. Service

1. Use extra care when handling gasoline and other fuels. Fuels are flammable and the vapors are explosive.
 - a. Use only an approved container.
 - b. Never remove the gas cap or add fuel with the engine running. Allow the engine to cool for several minutes before refueling. Do not smoke.
 - c. Never refuel the machine indoors or near appliances with pilot lights, heaters, or other ignition sources.
 - d. Never store the machine with fuel in the tank or fuel container inside where there is an open flame, such as a water heater.
2. Never start or run the engine inside a closed area.
 - a. Make sure that spark plug, muffler, fuel cap and air cleaner are in place.
 - b. Do not crank engine with spark plug removed.
 - c. If fuel spills, wait until it evaporates before starting engine.
 - d. Do not start if there is LP or natural gas leakage in the area.
3. Keep all nuts and bolts, especially the blade attachment nuts tight. Frequently check the blade(s) for wear or damage such as cracks and nicks. A blade that is bent or damaged must be immediately replaced with an original equipment blade from an authorized service dealer. For safety, replace the blade every two years. Keep the equipment in good condition.
4. Never tamper with the safety devices. Check their proper operation regularly.

RESPONSIBILITY OF THE OWNER

Environmental Awareness

- Do not fill the engine's fuel tank completely full.
- Drain fuel for off-season storage.
- Use only unleaded gasoline.
- Service the air cleaner regularly.
- Change oil regularly. Use oil rated 30 in the summer.
- Tune-up the engine regularly.
- Keep equipment in efficient operating condition.
- Dispose of used engine oil properly.

The safety symbol  is used to identify safety information about hazards that can result in personal injury. A signal word (DANGER, WARNING, or CAUTION) is used with the alert symbol to indicate the likelihood and the potential severity of injury. In addition, a hazard symbol may be used to represent the type of hazard.

DANGER indicates a hazard which, if not avoided, **will result in death or serious injury.**

WARNING indicates a hazard which, if not avoided, **could result in death or serious injury.**

CAUTION indicates a hazard which, if not avoided, **might result in minor or moderate injury.**

CAUTION when used without the alert symbol, indicates a situation that **could result in damage to the engine.**

SAFETY RULES

INTERNATIONAL PICTORIALS

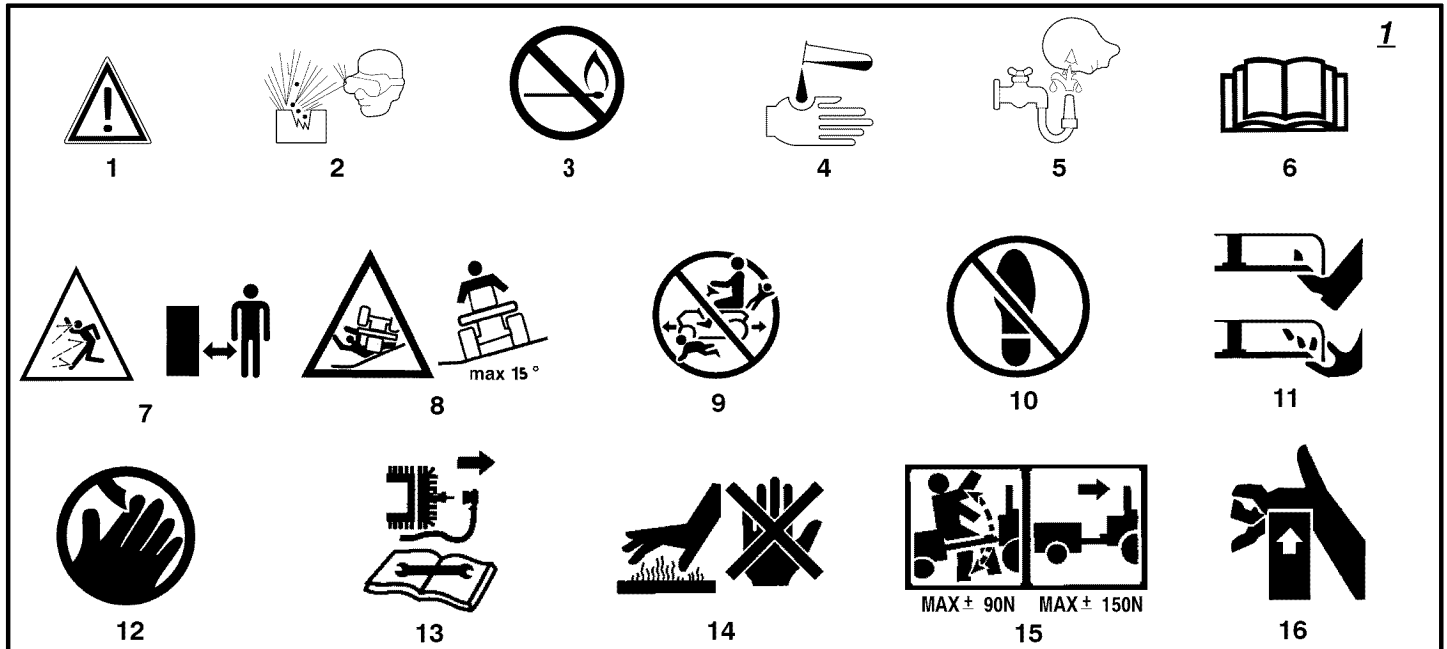
IMPORTANT: Some of the following pictorials are located on your unit or on literature supplied with the product. Before you operate the unit, learn and understand the purpose for each pictorial.

Safety Warning Pictorials

- 1 Warning
- 2 Shield Eyes. Explosive Gases Can Cause Blindness Or Injury.
- 3 No Sparks, Flames or Smoking.
- 4 Sulphuric Acid Can Cause Blindness Or Severe Burns

- 5 Flush Eyes Immediately With Water. Get Medical Help Fast.
- 6 IMPORTANT: Read Owner's Manual Before Operating This Machine.
- 7 WARNING: Thrown Objects. Keep Bystanders Away. Read User Instructions Before Operating This Machine.
- 8 WARNING: Do Not Use This Machine On Slopes Greater Than 15 Degrees.
- 9 DANGER: Keep People, Especially Children, Away From Unit.

- 10 DANGER: No Step.
- 11 DANGER: Keep Feet And Hands Away From Rotating Blade.
- 12 DANGER: Keep Hands Away From Rotating Blade.
- 13 DANGER: Disconnect Spark Plug Wire Before Servicing Unit.
- 14 WARNING: Hot Surface.
- 15 WARNING: Use Caution When Connecting Or Disconnecting Accessories.
- 16 WARNING: Crushed Fingers.

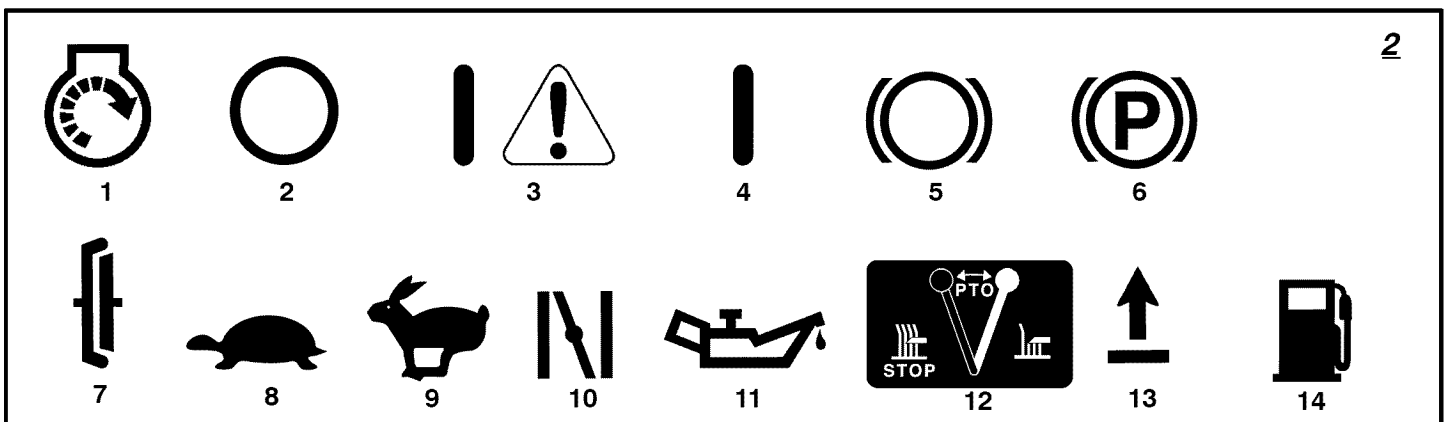


Control And Operating Pictorials

- 1 Engine Start
- 2 Engine Stop
- 3 Select Reverse™
- 4 Engine Run

- 5 Brake
- 6 Parking Brake
- 7 Clutch
- 8 Slow
- 9 Fast

- 10 Choke
- 11 Oil
- 12 Blade Rotation Control
- 13 Raise
- 14 Fuel



PREPARATION

PREPARATION

Read and follow the preparation instructions for your mower. All fasteners are in the parts bag. Do not discard any parts or material until the unit is assembled.

NOTE: In this instruction book, left and right describe the location of a part from the viewpoint of someone setting in the operator's seat.



WARNING: Before doing any preparation or maintenance to the mower, remove the wire from the spark plug.

HOW TO REMOVE FROM THE CARTON

To remove the unit from the carton, follow the instructions below.

1. Locate the two tear tabs at the top of the carton.
2. Pull the tear tape no more than twelve inches at a time.
3. Re-grasp the tear tape next to the carton and pull again.
4. One the tear tape has been completely removed from both ends, remove the top wood and set aside.
5. Repeat the process on the tear tabs at the bottom of the carton.
6. Set the panels aside.
7. Move the shift lever to the neutral (N) position.

NOTE: See the Operation section, page 10, for the location of the controls.

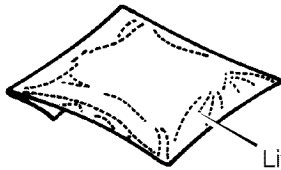
8. If the parking brake is engaged, completely depress the clutch/brake pedal to release the brake.
9. Move the lift lever to the highest position.

CAUTION: Check the bottom of the carton for staples. Remove any staples that are in the path of the tires.

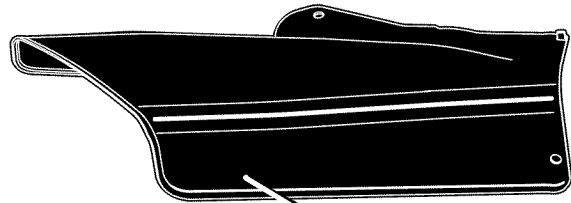
10. Remove the mower from the shipping skid.

LOOSE PARTS – CONTENTS

The fasteners and other loose parts are shown below. The fasteners are shown full size. The quantity is shown in brackets ().



Literature Kit



Side Discharge Attachment

PREPARATION

MAINTENANCE FREE BATTERY

IMPORTANT: Before you attach the battery cables to the battery, check the battery date. The battery date tells if the battery must be charged.

1. Raise the seat support and secure in the UP position with the seat support rod.
2. Check the top and the side of the battery for the location of the **battery date** (Figure 1).
3. If the **battery** is put into service *before* the **battery date**, the **battery** cables can be attached without charging the **battery**. See "How To Install The Battery Cables".
4. If the **battery** is put into service *after* the **battery date**, the **battery** must be charged. See "How To Charge The Maintenance Free Battery".

HOW TO CHARGE THE MAINTENANCE FREE BATTERY



WARNING: When you charge the battery, do not smoke. Keep the battery away from any sparks. The fumes from the battery acid can cause an explosion.

1. To disconnect the **battery retainer** from the **battery tray**, push in on the lower end of the **battery retainer**.
2. Remove the **battery** from the right side of the unit.

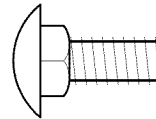
3. Remove the protective cap from the **battery terminal**.
4. Use a 12 volt battery charger to charge the **battery**. Charge at a rate of 6 amperes for one hour. If you do not have a battery charger, have an authorized service center charge the battery.
5. Install the **battery** and secure with the **battery retainer**. Make sure the **positive (+) terminal** is on the right side.

HOW TO INSTALL THE BATTERY CABLES

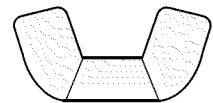


WARNING: To prevent sparks, fasten the red cable to the positive (+) terminal before you connect the black cable.

Use the fasteners shown below to install the **battery cables**. The fasteners are shown at full size.



(A)
2x82



(B)
14x79

1. Remove the protective cap from the **battery terminal**.
2. Fasten the **red cable** and **terminal cover** to the **positive (+) terminal** with the fasteners as shown (Figure 1).
3. Fasten the **black cable** to the negative (-) terminal with the fasteners as shown.

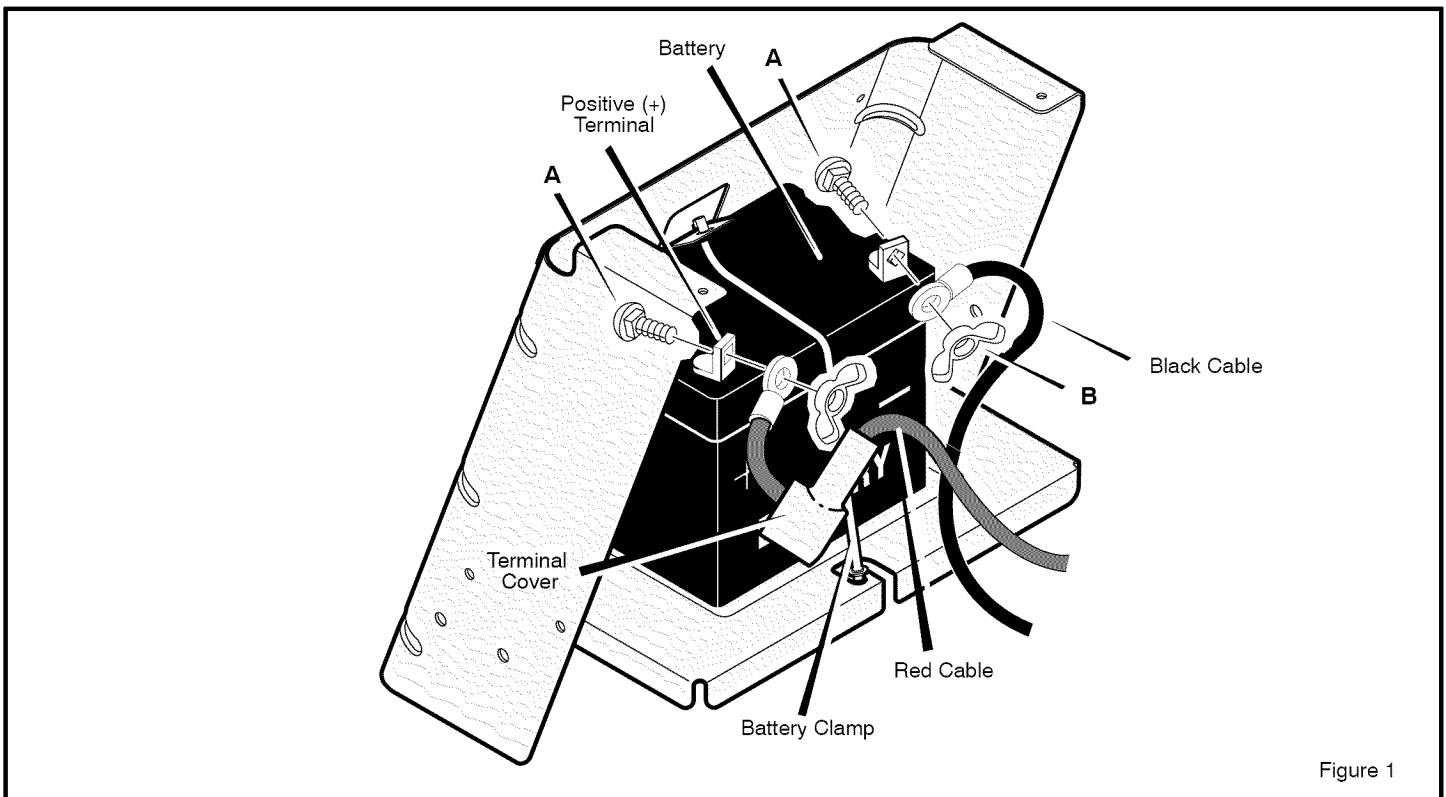


Figure 1

PREPARATION

HOW TO ENGAGE THE TRANSMISSION

To allow the unit to be pushed, the unit was shipped with the **automatic drive disconnect** in the **PUSH POSITION**. Before operating, the **automatic drive disconnect** must be set in the **DRIVE POSITION**. (Figure 2)

1. The engine must be off.
2. The **automatic drive disconnect** is located under the left side of the seat deck next to the hydrostatic transaxle.
3. To engage the transmission, unlatch the **automatic drive disconnect**. The transmission is now *connected* and ready to operate.
4. To release the transmission and push the unit, pull and twist the **automatic drive disconnect**. Latch the **automatic drive disconnect** in the **PUSH** position (Figure 2). The transmission is now *released* and the unit can be pushed.

NOTE: In cold weather, the heavy viscosity oil in the transmission will make the unit difficult to push.

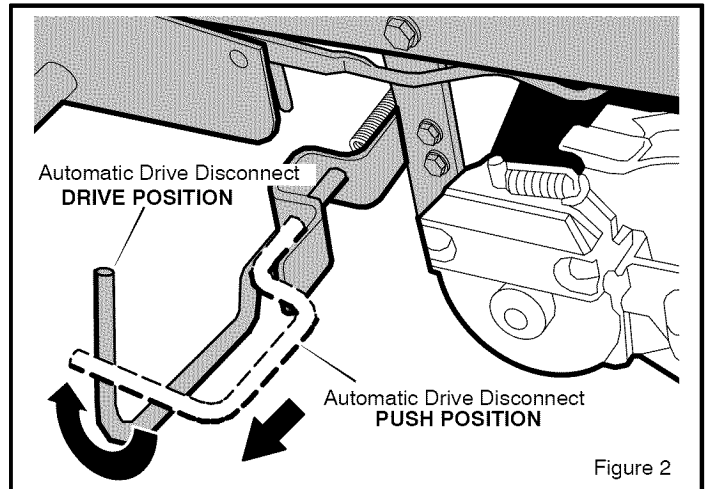


Figure 2

HOW TO PREPARE THE ENGINE

NOTE: The engine was shipped from the factory filled with oil. Check the level of the oil. Add oil as needed.

NOTE: The operation of a new engine will sometimes result in a slight amount of smoke. This smoke is caused by paint or oil on or around the muffler. This is normal and only expected during initial operation.

Before you use the unit, read the information on safety, operation, maintenance, and storage.

CHECK THE TIRES

NOTE: The tires were over inflated for shipment. The correct air pressure is shown on the side of the tire.

Check the air pressure in the tires. Tires with too much air pressure will cause the unit to ride rough. Also, the wrong air pressure will keep the mower housing from cutting level. The correct air pressure is shown on the side of the tire.

CHECK THE LEVEL OF THE MOWER HOUSING

Make sure the level of cut is still correct. After you mow a short distance, look at the area that was cut. If the mower housing does not cut level, see the instructions on "How To Level The Mower Housing" in the Service And Adjustment section of this instruction book.

IMPORTANT! BEFORE YOU START MOWING

- Check the engine oil.
- Fill the fuel tank with gasoline.
- Check the air pressure of the tires.
- Check the level of the mower housing.
- Make sure the battery cables are attached.
- Make sure the wire is attached to the spark plug.

OPERATION

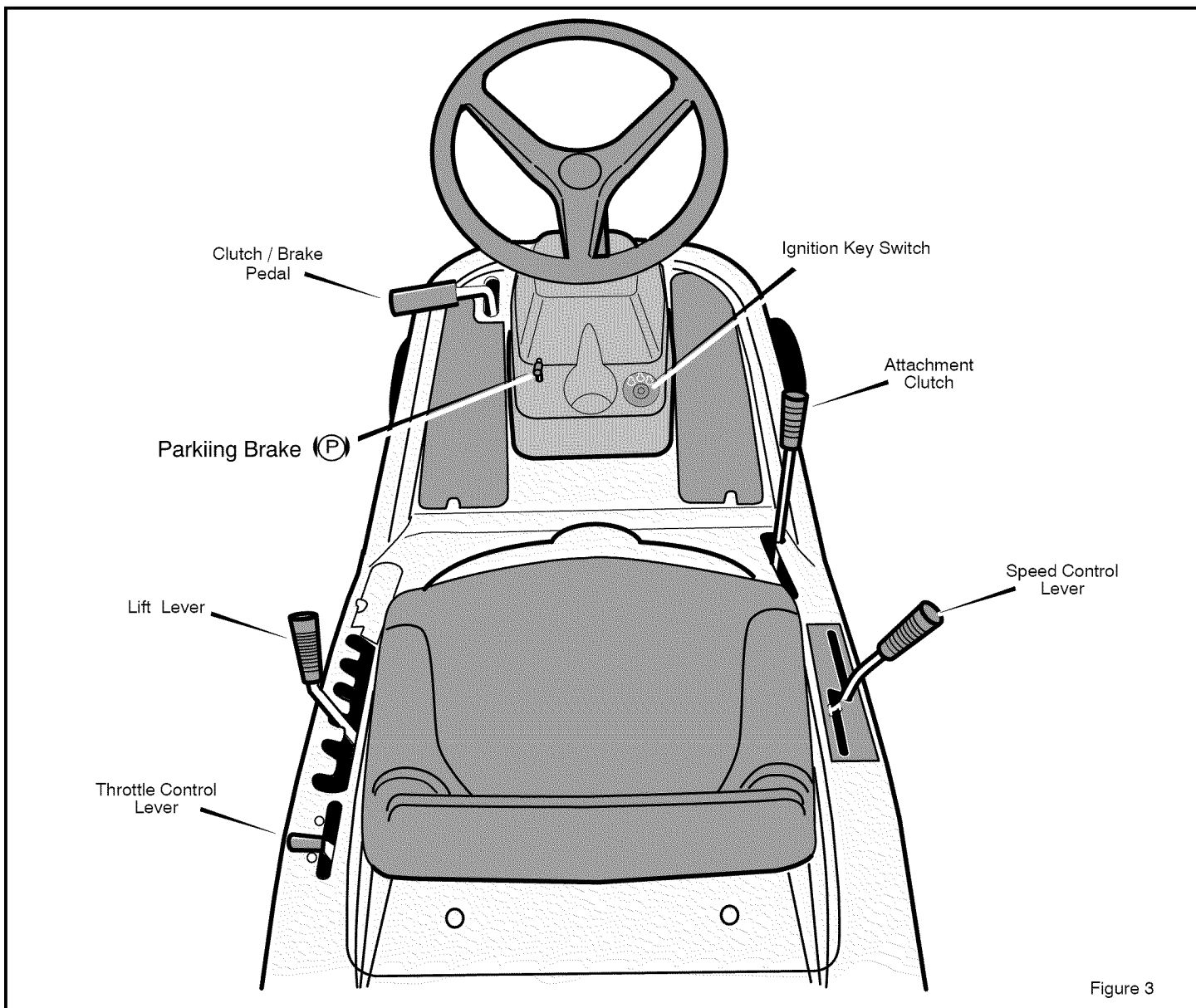


Figure 3



The operation of any lawn mower can result in foreign objects thrown in the eyes, which can result in severe eye damage. Always wear safety glasses or eye shields before starting your lawn mower and while mowing. We recommend standard safety glasses or a wide vision safety mask worn over the spectacles or standard safety glasses, available at Sears Retail or Catalog Stores.

LOCATION OF CONTROLS

ATTACHMENT CLUTCH: Use the attachment clutch to start and stop the rotation of the blade(s) and to operate a snow thrower attachment.

CLUTCH / BRAKE PEDAL: The pedal has two functions. The first function is a clutch. The second function is a brake. Use the brake pedal to quickly stop the forward or reverse motion of the unit.

IGNITION KEY SWITCH: Use the ignition key switch to start and stop the engine. When you start the engine and release the

ignition key, the ignition key switch will automatically default to the recommended RUN-MOW position for normal mowing.

SPEED CONTROL LEVER: Use the speed control lever to change the speed and the direction of the unit.

LIFT LEVER: Use the lift lever to change the height of cut.

PARKING BRAKE LEVER: Use the parking brake lever to engage the brake when you leave the unit.

THROTTLE CONTROL LEVER: Use the throttle control lever to increase or decrease the speed of the engine.

OPERATION

ATTACHMENTS

This unit can use many different attachments. See the attachment page in this book. This unit can pull attachments like a lawn sweeper, a lawn aerator, a hopper spreader, or a small trailer. This unit can not use attachments that engage the ground like a plow, a disk harrow, or a cultivator.

For all pull-behind attachments or trailers, the maximum gross

weight is 200 pounds. Gross weight is the weight of the attachment or trailer and any load that might be on or in it.

Do not operate on a slope that is greater than 10 degrees when using a pull-behind attachment or trailer. We have included a slope guide in this book to help you determine the slope on which you will be operating your unit. Never allow someone to stand or ride on or in an attachment or trailer.

ELECTRICAL SAFETY SYSTEM

The electrical system has two primary components, an Operator Presence System and a Select Reverse™ system.

Operator Presence System (Seat)

The seat has an Operator Presence System to shut off the engine when the operator leaves the seat. This system is not intended for

regular use in stopping the engine or the blade(s). Before leaving the seat, move the blade rotation control to the DISENGAGE position, shift to neutral, set the parking brake and stop the engine.

Select Reverse™ System

The **Select Reverse™** system will allow the mower blade(s) to continue to rotate when traveling in reverse. See "How To Operate The Ignition Key Switch" and "How To Start The Engine" for further details.


HOW TO OPERATE THE IGNITION KEY SWITCH

Use the ignition key switch to start and stop the engine. When you start the engine and release the ignition key, the ignition key switch will automatically default to the recommended RUN-MOW position for normal mowing.

START – Use this position to start the engine.

RUN-MOW – When you start the engine and release the ignition key, the ignition key switch will automatically default to the recommended **RUN-MOW** position for normal mowing. In the **RUN-MOW** position, the system will stop the engine and the blade(s) when the speed control pedal/shift lever is put in the reverse position.

SELECT REVERSE™ – The optional **Select Reverse™** position will allow the mower blade(s) to continue to rotate when traveling in reverse. Always go back to the recommended RUN-MOW position for normal mowing when operation in **Select Reverse™** is not absolutely necessary. NEVER use the **Select Reverse™** option if children are on or near the property.

 **WARNING:** Operators are strongly discouraged from using this option unless the operator decides such operation is absolutely necessary and that safe precautions are taken. Never use the **Select Reverse™** option if children are on or near the property. Always look down and behind before and while backing. After using the **Select Reverse™** position, move the ignition key back to the **RUN-MOW** position.

STOP – Use this position to stop the engine.

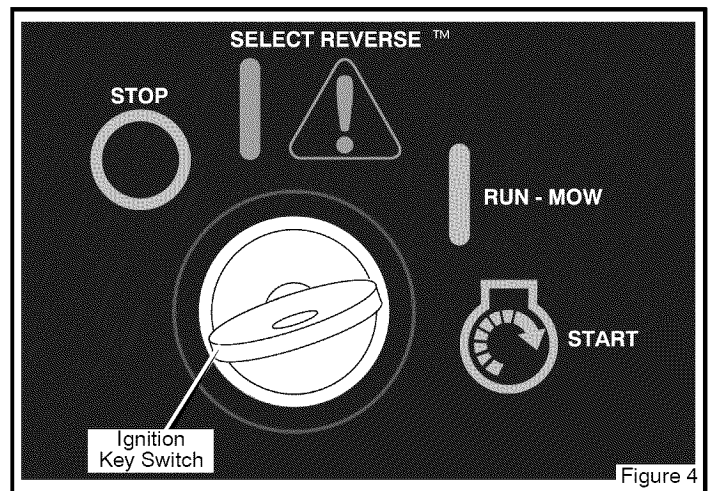


Figure 4


OPERATION

HOW TO STOP THE UNIT

1. Completely push the **clutch/brake pedal** forward to stop the unit. Keep your foot on the pedal.
2. Move the attachment clutch to the DISENGAGE position.
3. Move the speed control lever to the NEUTRAL position.
4. Set the parking brake.



WARNING: Make sure the parking brake will hold the unit.

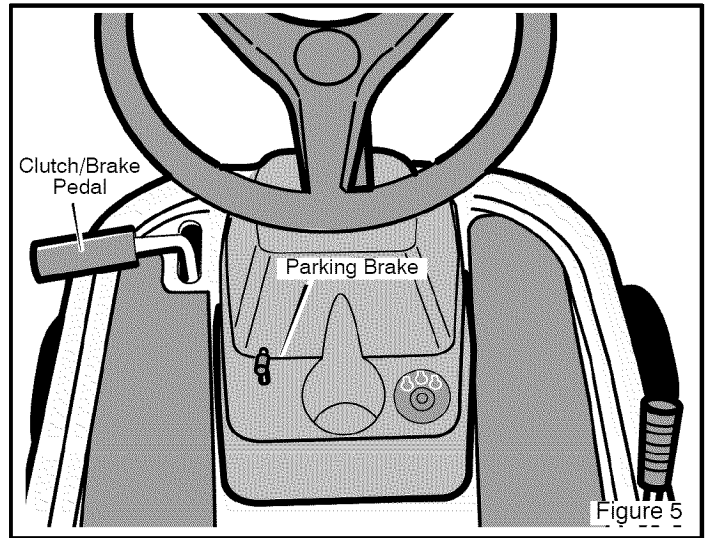
5. Move the throttle control to the SLOW position.
6. To stop the engine, turn the ignition key to the STOP  position. Remove the key.

HOW TO SET THE PARKING BRAKE

1. Completely push the **clutch/brake pedal** forward.
2. Lift the **parking brake lever** (Figure 5).
3. Remove your foot from the clutch/brake pedal and then release the **parking brake lever**. Make sure the parking brake will hold the unit.
4. To release the **parking brake**, completely push the **clutch/brake pedal** forward. The **parking brake** will automatically release.



WARNING: Before you leave the operator's position, move the shift lever to the neutral (N) position. Set the parking brake. Move the attachment clutch to the DISENGAGE position. Stop the engine and remove the ignition key.



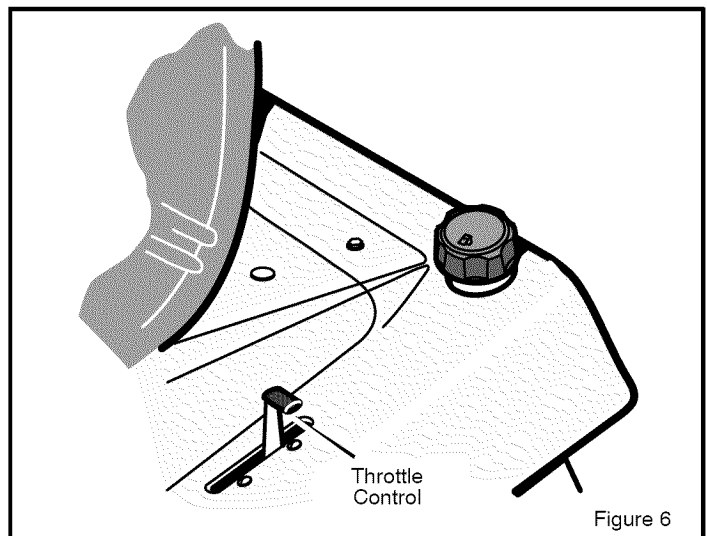
HOW TO USE THE THROTTLE / CHOKE CONTROL

CAUTION: Always operate the engine with the throttle control in the FAST position. If the engine runs for several minutes at slower than the FAST position, the engine and transmission will overheat and can be damaged.

Use the **throttle/choke control** to choke the engine for cold starts and increase or decrease the speed of the engine (see Figure 6).

1. Move the **throttle/choke control** completely forward to the CHOKE position to start a cold engine.
2. The FAST position is marked with a detent. For normal operation and when using a grass bagger, move the **throttle control** to the FAST position. For maximum charging of the battery and for a cooler running engine, operate the engine in the FAST position.
3. For transport and to tow pull behind attachments, control the ground speed with the speed control pedal.

4. The engine governor is set at the factory for maximum performance. Do not adjust the governor to increase the speed of the engine.



OPERATION


HOW TO USE THE ATTACHMENT CLUTCH

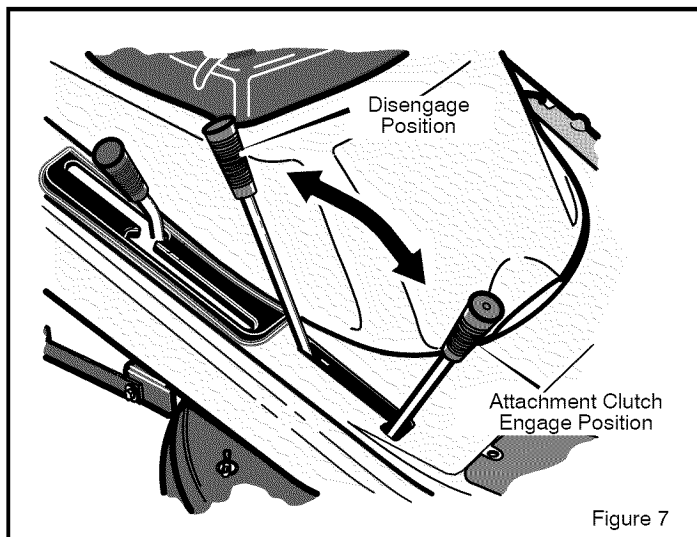
Use the **attachment clutch** to engage the blade (Figure 7).

1. Before you start the engine, make sure the **attachment clutch** is in the **DISENGAGE** position.
2. To rotate the blade, move the **attachment clutch** forward to lock the blade in the **ENGAGE** position.

Note: If the engine stops when you engage the blade(s), the transmission is in reverse.

3. To stop the blade, move the **attachment clutch** to the **DISENGAGE** position. Before you leave the operator's position, make sure the blade has stopped rotating.
4. Before you ride the unit across a sidewalk or a road, move the **attachment clutch** to the **DISENGAGE** position.
5. Before operating in reverse, move the blade rotation control to the **DISENGAGED** position. If the blade rotation control is not in the **DISENGAGED** position, the engine will stop when the speed control pedal/shift lever is moved to REVERSE position.

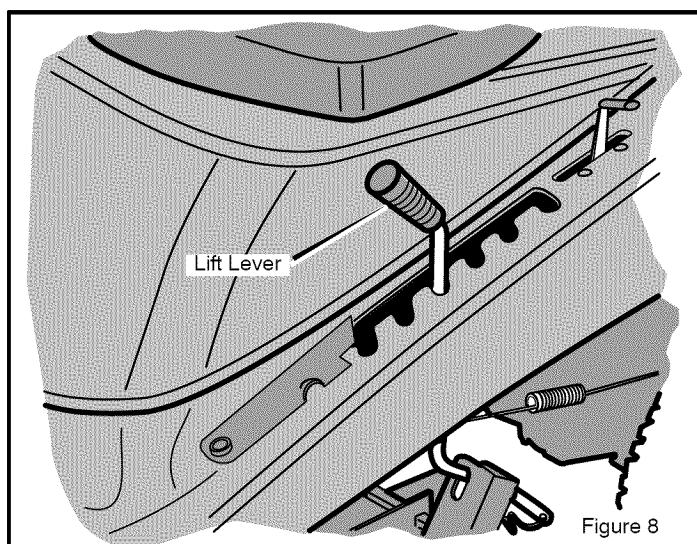
 **WARNING: Always keep your hands and feet away from the blade, deflector opening, and the mower housing when the engine runs.**



HOW TO CHANGE THE CUTTING HEIGHT

To change the cutting height, raise or lower the **lift lever** as follows.

1. Move the **lift lever** forward to lower the mower housing and back to raise the mower housing (Figure 8).
2. When you ride on a sidewalk or road, move the **lift lever** to the highest position and move the attachment clutch to the DISENGAGE position.



OPERATION

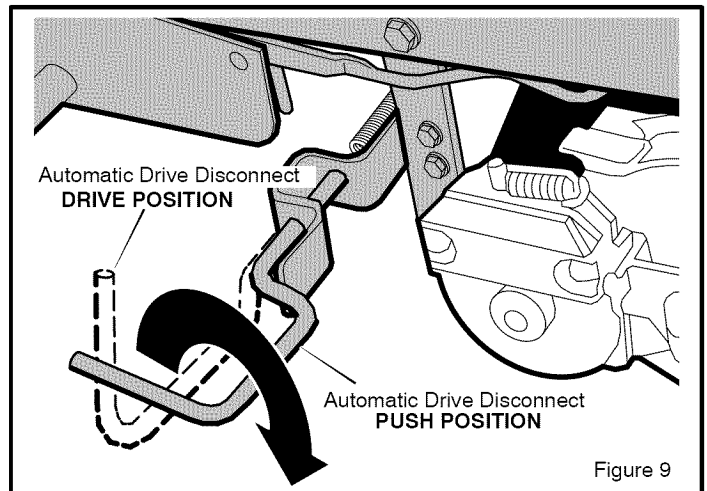
HOW TO DISCONNECT THE TRANSMISSION

To push the unit, use the **automatic drive disconnect** to release the transmission. (Figure 9)

1. The engine must be off.
2. The **automatic drive disconnect** is located under the left side of the seat deck next to the hydrostatic transaxle.
3. To release the transmission and push the unit, pull and twist the **automatic drive disconnect**. Latch the **automatic drive disconnect** in the PUSH position (Figure 9). The transmission is now *released* and the unit can be pushed.

NOTE: In cold weather, the heavy viscosity oil in the transmission will make the unit difficult to push.

4. To engage the transmission, unlatch the **automatic drive disconnect**. The transmission is now *connected* and ready to operate.



OPERATION

HOW TO USE THE SPEED CONTROL LEVER

The Hydrostatic Drive is very easy to operate. The drive system has a clutch/brake pedal on the left side (see Figure 10) and a speed control lever on the right side (see Figure 11).

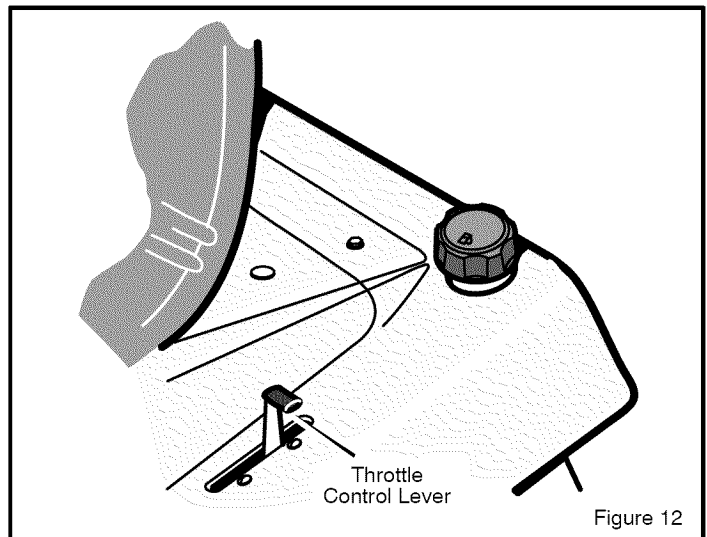
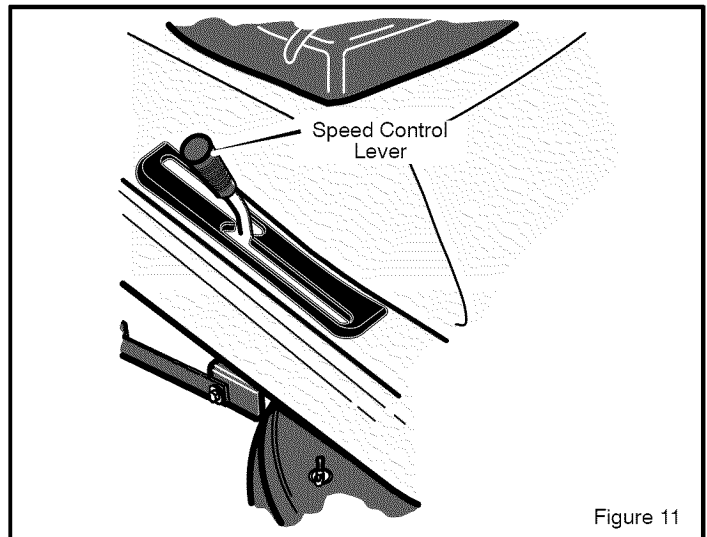
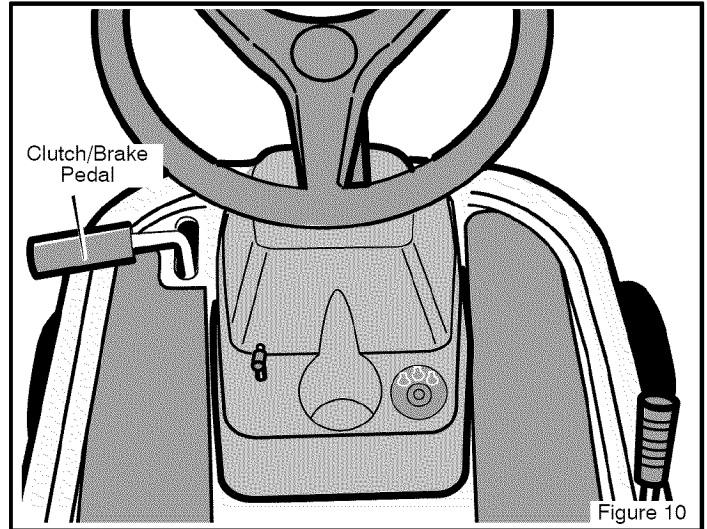
The speed and direction of travel is controlled by the speed control lever (see Figure 11). Use the speed control lever to select either forward or reverse.

HOW TO DRIVE FORWARD

1. The **automatic drive disconnect** must be in the DRIVE position (Figure 9).
2. Completely push the clutch/brake pedal forward to stop the unit (see Figure 10). Keep your foot on the pedal.
3. Move the speed control lever to NEUTRAL position (see Figure 11).
4. Slowly release your foot from the clutch/brake pedal (see Figure 10). Do not keep your foot on the clutch/brake pedal.
5. Move the throttle control to the FAST position (see Figure 12).
6. Slowly push the **speed control lever** forward to the desired speed (see Figure 10). To reduce forward speed, slowly pull the **speed control lever** to the desired speed.

HOW TO CHANGE DIRECTIONS / DRIVE IN REVERSE

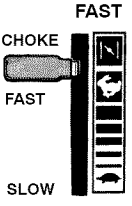
1. Always disengage blades and look down and behind before and while backing.
2. Move the speed control lever to the NEUTRAL position (see Figure 11).
3. To go backward, move the speed control lever to the REVERSE position.



OPERATION

SPEED CONTROL LEVER POSITIONS

The forward speed is controlled by the position of the **speed control lever**. The following chart provides **functions** along with the positions of the **speed control lever**. Always operate the engine with the **throttle control** in the **FAST** position.

FUNCTION	SPEED CONTROL LEVER POSITION	THROTTLE
Trimming Steep Hills	1/3	
Bagging Grass	1/3 to 1/2	
Normal Mowing	1/2 to 2/3	
Easy Mowing	1/2 to 3/4	
Transport	FULL	
Pull Behind Attachments	1/3 to 1/2	

HOW TO TRANSPORT THE UNIT

To transport the unit, follow the steps below.

1. Move the attachment clutch to the DISENGAGE position.
2. Raise the lift lever to the highest position.
3. Move the throttle control to the FAST position.
4. To go faster, move the speed control lever to a faster speed.

OPERATION

HOW TO INSTALL THE SIDE DISCHARGE ATTACHMENT



WARNING: To prevent the engine from starting, disconnect the wire from the spark plug. Make sure the attachment clutch is in the DISENGAGE position.

The **mulcher cover** lets you mulch the grass for a clean, fine cut. To discharge the grass out the side, install the **side discharge attachment** as follows.

1. Remove the fasteners that secure the **mulcher cover** (see Figure 13).
2. Lift the **mulcher cover**. Mount the **side discharge attachment** onto the same bolts that secured the **mulcher cover**.
3. Secure the **side discharge attachment** with the fasteners.
4. To mulch, remove the **side discharge attachment** and mount the **mulcher cover** to the mower housing with the fasteners.

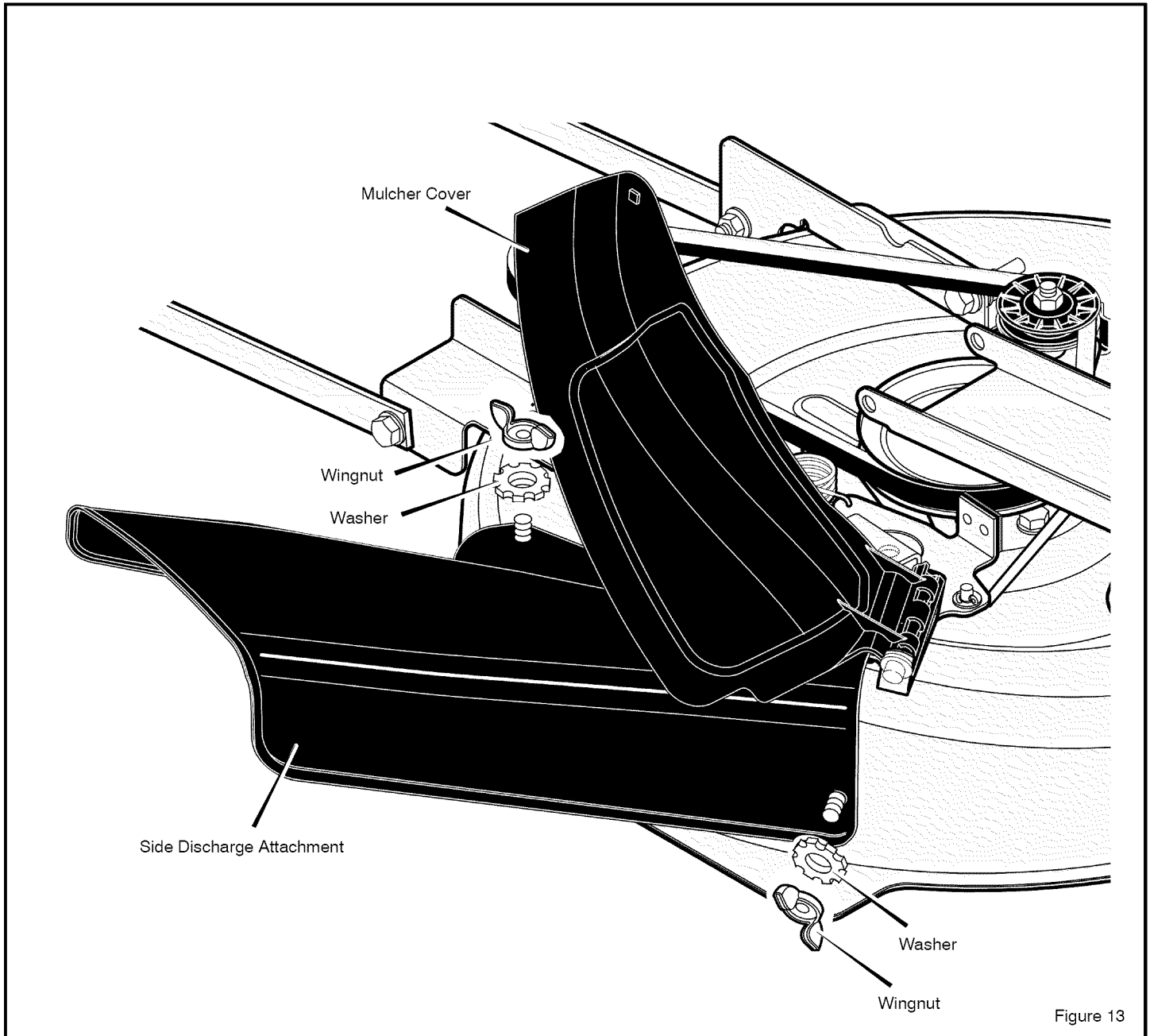


Figure 13

OPERATION

BEFORE STARTING THE ENGINE

CHECK THE OIL

NOTE: The engine was shipped from the factory filled with oil rated 30. Check the level of the oil. Add oil as needed.

1. Make sure the unit is level.
NOTE: Do not check the level of the oil while the engine runs.
2. Clean the area around the dipstick. Remove the dipstick. Wipe the oil from the dipstick.
3. Insert the dipstick into the oil fill tube. Turn the dipstick clockwise until it is tight. Remove the dipstick. Check the oil level on the dipstick. The oil level must reach the FULL mark on the dipstick.
4. If necessary, add oil until the oil reaches the FULL mark on the dipstick. The quantity of oil needed from ADD to FULL is shown on the dipstick. Do not add too much oil.

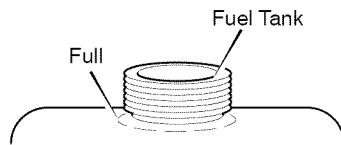
ADD GASOLINE



WARNING: Always use a safety gasoline container. Do not smoke when adding gasoline to the fuel tank. Do not add gasoline when you are inside an enclosure. Before you add gasoline, stop the engine and let the engine cool for several minutes.

Use clean, fresh, regular unleaded gasoline with a minimum of 85 octane. Fresh fuel prevents gum from forming in the fuel system or on essential carburetor parts. Purchase fuel in quantity that can be used with 30 days.

- Do not use gasoline which contains Methanol.
- Do not mix oil with gasoline.
- For engine protection, use a fuel stabilizer available at a Sears Store or Service Center.
- This engine is certified to operate on gasoline. Exhaust Emission Control System: EM (Engine Modifications).



CAUTION: Alcohol blended fuels (called gasohol or using ethanol or methanol) can attract moisture which leads to separation and formation of acids during storage. Acidic gas can damage the fuel system of an engine while in storage.

To prevent engine problems with the fuel system, empty the fuel system before storage of 30 days or longer as follows.

1. Drain the fuel tank.
2. Start the engine. Let the engine run until the fuel lines and the carburetor are empty.
3. After storage, make sure you use fresh fuel. See the storage instructions for additional information.
4. Never use engine cleaner or carburetor cleaner in the fuel tank or permanent damage can occur.

CARBURETOR

The factory settings for the carburetor are for most conditions. If the engine is operated under the following conditions, you can adjust the carburetor mixture. See "How To Adjust The Carburetor" in the Service And Adjustment section.

1. The engine has a loss of power or does not run smooth.
2. A change from summer to winter operation.
3. A 40 degree change in the operation temperature. The carburetor was adjusted at 80 degrees at the factory.
4. The engine is operated above 4,000 feet.


HOW TO START THE ENGINE



WARNING: The electrical system has two primary components, an operator presence system and a Select Reverse™ system. The operator presence system determines if the operator is sitting on the seat. This system will stop the engine when the operator leaves the seat. attachment clutch The Select Reverse™ system gives the operator the ability to temporarily mow in reverse if he decides such operation is absolutely necessary and safe operating precautions are taken. For your protection, always make sure these systems operate correctly.

NOTE: The engine will not start unless you depress the clutch/brake pedal or engage the parking brake and move the attachment clutch to the DISENGAGE position.

1. Make sure the spark plug wire is connected to the spark plug.
2. Move the speed control lever to the neutral (N) position.
3. Make sure the attachment clutch is in the DISENGAGE position. If the blade rotation control is not in the DISENGAGE position, the engine will not start.

4. Move the throttle control completely forward to the CHOKE IN or FAST position. Some models have a separate choke knob. Pull the choke knob to the full CHOKE position.
5. Turn the ignition key to the START  position. Release the key when the engine starts. The ignition key switch will automatically default to the recommended RUN-MOW position for normal mowing. See "How To Operate The Ignition Key Switch" in the Operation Section.

NOTE: If the engine does not start after four or five tries, move the throttle control to the FAST position. Again try to start the engine. If the engine will not start, see the TROUBLESHOOTING CHART.

6. Slowly move the throttle control to the SLOW position. If model has a separate choke knob, push in the choke knob.
7. Let a cold engine run for several minutes. Begin work when the engine is warm. To start a hot engine, move the throttle control to a position between FAST and SLOW.

OPERATION

HOW TO OPERATE WITH THE MOWER HOUSING



WARNING: The mulch cover is a safety device. Do not remove the mulch cover. The side discharge attachment forces the discharged material toward the ground. Always keep the side discharge attachment in the down position. If the side discharge attachment is damaged, replace the with an original equipment part from a Sears Service Center.

IMPORTANT: When you operate with the mower housing, always operate with the throttle control in the FAST position.

1. Push the clutch/brake pedal completely forward.
2. Start the engine.
3. Put the speed control lever in the NEUTRAL position.
4. Slowly release the clutch/brake pedal.
5. Move the lift lever to a height of cut position. In high or thick grass, cut the grass in the highest position first and then lower the mower housing to a lower position.

CAUTION: Do not operate with the mower housing in the LEVEL ADJUSTMENT position. If you operate in the LEVEL ADJUSTMENT position, the mower housing and blades can be damaged.

6. Move the throttle control to the SLOW position.
7. Move the attachment clutch to the ENGAGE position.
8. Move the speed control lever forward.

NOTE: When you mow in heavy grass or mow with a bagger, operate at a slow forward speed.

9. Move the throttle control to the FAST position. If you need to go faster or slower, move the speed control lever forward or backward.
10. Make sure the level of cut is still correct. After you mow a short distance, look at the area that was cut. If the mower housing does not cut level, see the instructions on "How To Level The Mower Housing" in the Service And Adjustment section.



WARNING: For better control of the unit, always select a safe speed.

HOW TO OPERATE THE UNIT ON HILLS



WARNING: Do not ride up or down slopes that are too steep to back straight up. Never ride the unit across a slope. See the "Slope Guide" in the back of this book for information on how to check slopes.

1. Before you ride up or down a hill, move the speed control lever to a slow speed.
2. Do not stop or change speed settings on a hill. If you must stop, quickly push the clutch/brake pedal forward and set the parking brake.
3. To start again, make sure the speed control lever is in a slow speed. Move the throttle control to the SLOW position. Slowly release the pedal.
4. If you must stop or start on a hill, always have enough space for the unit to roll when you release the brake and engage the clutch.
5. Be very careful when you change directions on a hill. When on a slope or in a turn on a hill, move the throttle control to the SLOW position to help prevent an accident.

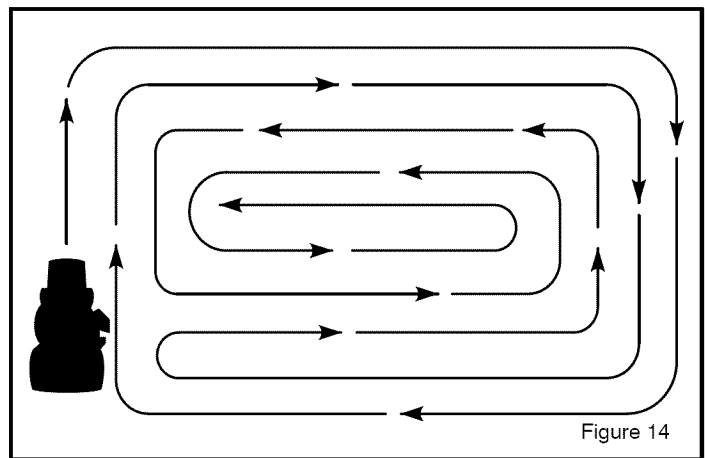
OPERATION

OPERATING TIPS

1. Check the attachment clutch for correct adjustment. For the blade(s) to disengage correctly, the adjustment must be correct.
2. Before you use the unit, check the oil in the engine and add oil if necessary.
3. If the engine will not start, first make sure the wire is attached to the spark plug.
4. Make sure all the belts are inside all the belt guides. See the instructions on how to remove and install the motion drive and mower drive belts.
5. Before you make an inspection, adjustment (except for the carburetor) or repair, make sure the wire from the spark plug is disconnected.
6. Make sure the seat switch wire is connected. If the wire is not connected, the engine will not start.
7. For longer life of the battery, charge the battery every three months.
8. Use the shift lever to change the ground speed, not the throttle control.
9. Belt noise can occur when the blade or clutch is engaged. This noise is normal and does not affect the operation of the unit.
10. To move forward, always release the clutch/brake pedal slowly.

MOWING AND BAGGING TIPS

1. For a lawn to look better, check the cutting level of the mower housing. See "How To Level The Mower Housing" in the Service And Adjustment section.
2. For the mower housing to cut level, make sure the tires have the correct amount of air pressure (PSI) and use slow ground speeds when turning.
3. Every time you use the unit, check the blade. If the blade is bent or damaged, immediately replace the blade. Also, make sure the nut for the blade is tight.
4. Keep the blade(s) sharpened. A worn blade(s) will cause the ends of the grass to turn brown.
5. Do not cut or bag grass that is wet. Wet grass will not discharge correctly. Let the grass dry before cutting.
6. Use the left side of the mower housing to trim near an object.
7. Discharge the cut grass onto the mowed area. The result is a more even discharge of cut grass.
8. When you mow large areas, start by turning to the right so that the cut grass will discharge away from shrubs, fences, driveways, etc. After one or two rounds, mow in the opposite direction making left turns until finished (Figure 14).
9. Use a mowing pattern that eliminates reverse travel as much as possible.
10. If the grass is very high, cut two times to decrease the load on the engine. First cut with the mower housing in the highest position and then lower the mower housing for the second cut.
11. For better engine performance and an even discharge of the cut grass, always operate the engine with the throttle in FAST position.
12. When you use a bagger, operate the engine with the throttle in FAST position and the speed control lever in a slow forward speed.
13. For better cutting performance and a quality cut, mow in a slow forward speed.
14. After each use, clean the bottom and top of the mower housing for better performance. Also, a clean mower housing will help prevent a fire.



MULCHING TIPS

When you use a mulcher attachment, the grass is cut into very small pieces. These small pieces will quickly break down. Because the nutrients are returned to the soil, the lawn will need less fertilizer. To correctly mulch the grass, follow the steps below.

1. Set the throttle in the FAST position. Operate the mower at a slower ground speed. If ground speed is too fast, the grass will not have an even cut.
2. Keep a sharp edge on the blade. A blade that is not sharp will cause the ends of the grass to become brown.
3. Make sure the grass is dry. Wet grass is difficult to cut.
4. Set the height of the mower housing so that only the top third of the grass is cut. If the grass is too high, set the height of the mower housing to the maximum height. Then, lower the mower housing for the second cut. Also, instead of using the full width of the mower housing, mulch at half the width.
5. Clean the bottom of the mower housing. Grass and other debris can keep the mower from working correctly.
6. If the grass grows fast, mulch more often.
7. If an area needs improvement, mulch a second time.

MAINTENANCE

MAINTENANCE TABLE								
PROCEDURE		EACH USE	FIRST 2 HOURS	EVERY 8 HOURS	EVERY 25 HOURS	EVERY 50 HOURS	EVERY 100 HOURS	BEFORE STORAGE
M O W E R	Tires, Check				√			
	Blade, Inspect and Sharpen				√			
	Battery, Check and Charge				√			√
	Battery, Clean					√		√
	Lubrication					√		√
E N G I N E	Oil, Check	√		√				
	Oil, Change		√		√*	√		
	Cooling System, Clean	√					√**	√
	Muffler, Check					√		√
	Foam Air Filter, Service				√			
	Paper Air Filter, Service						√†	
	Spark Plug, Check					√		√
	Spark Plug, Replace						√	

* Change oil every 25 hours when operating under heavy load or in high temperatures.

** Clean cooling system more often if operating under dusty conditions.

† If engine is not equipped with a Foam Air Filter, then service the Paper Air Filter every 25 hours.

GENERAL RECOMMENDATIONS

1. The owner's responsibility is to maintain this product. This will extend the life of the product and is also necessary to maintain warranty coverage.
2. Check the spark plug, drive brake, lubricate the unit, and clean the air filter once a year.
3. Check the fasteners. Make sure all fasteners are tight.
4. Follow the Maintenance and the Service And Adjustment section to keep the unit in good operating condition.



WARNING: Before you make an inspection, adjustment, or repair to the unit, disconnect the wire to the spark plug. Remove the wire from the spark plug to prevent the engine from starting by accident.

Maintenance, replacement, or repair of the emission control devices and systems may be performed by any non-road engine repair establishment or individual. Regular maintenance will improve the performance and extend the life of the engine.

CHECK THE TIRES

Check the air pressure in the tires. Tires with too much air pressure will cause the unit to ride rough. Also, the wrong air pressure will keep the mower housing from cutting level. The correct air pressure (PSI) is shown on the side of the tire.

MAINTENANCE

INSPECT BLADE



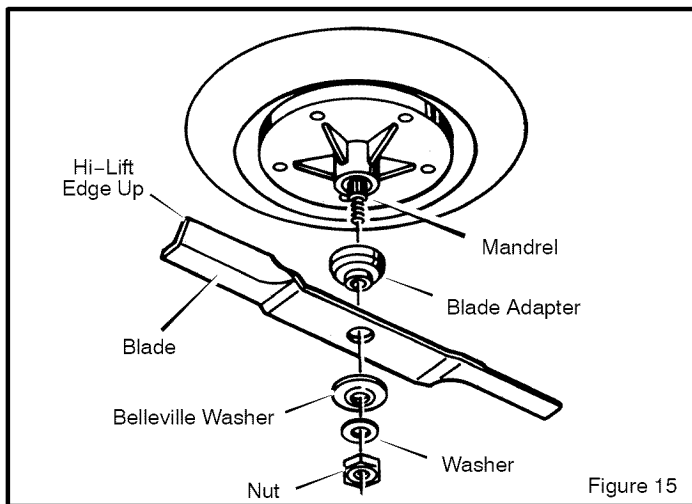
WARNING: Before you inspect or remove the blade, disconnect the wire to the spark plug. If the blade hits an object, stop the engine. Check the unit for damage. The blade has sharp edges. When you hold the blade, use gloves or cloth material to protect your hands.

If you keep the blade sharp and inspect the blade for damage, the blade will cut better and be more safe to operate. Frequently check the blade for excessive wear, cracks, or other damage. Frequently check the nut that holds the blade. Keep the nut tight. If the blade hits an object, stop the engine. Disconnect the wire to the spark plug. See if the blade is bent or damaged. Check the blade adapter for damage. Before you operate the unit, replace damaged parts with original equipment parts. See a Sears Service Center in your area. Every three years, have a qualified service person inspect the blade or replace the old blade with an original equipment part.

HOW TO REMOVE AND INSTALL THE BLADE

To Remove

1. Remove the mower housing. See the instructions on "How To Remove The Mower Housing".
2. As you loosen the nut, use a piece of wood to keep the blade from rotating.
3. Remove the **nut, washers, and blade** (Figure 15).



4. Check the **blade** and the **blade adapter** according to the instructions for "Inspect Blade". Replace a badly worn or damaged **blade** with an original equipment blade. See a Sears Service Center in your area.
5. Clean the top and bottom of the mower housing. Remove all the grass and debris.

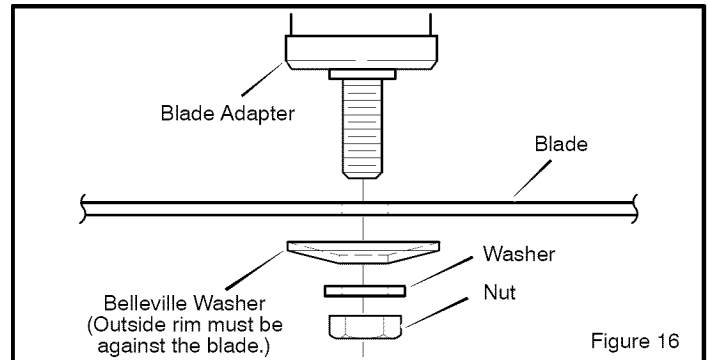
To Install

1. Mount the **blade** and **blade adapter** on the **mandrel** (Figure 15).
2. Mount the **blade** so that the **hi-lift edges** are up. If the **blade** is upside down, the **blade** will not cut correctly and can cause an accident.
3. Fasten the **blade** with the original washers and **nut**. Make sure the outside rim of the **Belleville washer** is against the **blade** (Figure 16).



WARNING: Always keep the nut tight that holds the blade. A loose nut or blade can cause an accident.

4. Tighten the **nut** that holds the **blade** to a torque of 35 foot pounds.
5. Install the mower housing. See "How To Install The Mower Housing".



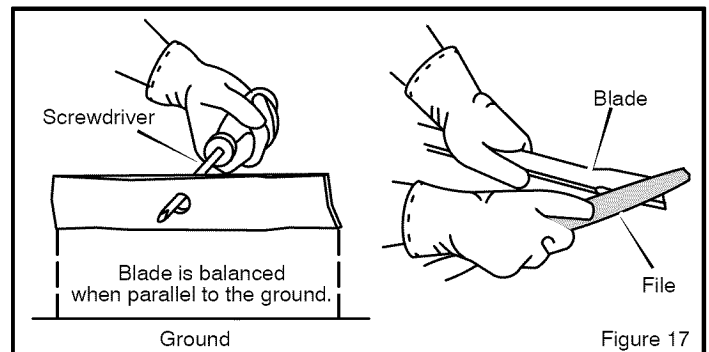
HOW TO SHARPEN THE BLADE



WARNING: Vibration can be caused if the blade is not correctly balanced or if the blade is damaged. A blade that is damaged with cracks can break and cause an accident.

Keep a sharp edge on the **blade**. A **blade** that is not sharp will cause the tips of the grass to become brown.

1. Sharpen the **blade** two times a year or every 25 hours.
2. Remove the **blade** according to the instructions in "How To Remove And Install The Blade".
3. Clean the **blade** with a brush, soap and water. Check the **blade**. Look for cracks, nicks, or other damage. Replace a badly worn or damaged blade with an original equipment blade. See a Sears Service Center in your area.
4. Sharpen the **blade** with a **file** (Figure 17). Make sure you keep the original bevel angle.
5. Make sure the **blade** is balanced. Use a **screwdriver** and hold the **blade** parallel to the **ground** (Figure 17). A **blade** that is balanced will stay parallel to the **ground**. If the **blade** is not balanced, the heavy end will rotate toward the **ground**. Sharpen the heavy end until the **blade** is balanced.
6. A new blade will cut better than a badly worn blade. Every three years, have a qualified service person inspect the blade or replace the old blade with an original equipment blade.
7. Assemble the **blade** according to the instructions "How To Remove And Install The Blade".



MAINTENANCE

MAINTENANCE FREE BATTERY

HOW TO REMOVE THE BATTERY

To charge or clean the **battery**, remove the **battery** from the unit as follows.



WARNING: To prevent sparks, disconnect the **black battery cable** from the **negative (-) terminal** before you disconnect the **red cable**.

WARNING: The **battery** contains **sulfuric acid** which is harmful to the **skin, eyes and clothing**. If the **acid** gets on the **body or clothing**, wash with **water**.

1. Disconnect the **black cable** from the **negative (-) terminal** (Figure 18).
2. Disconnect the **red cable** from the **positive (+) terminal**.
3. To disconnect the **battery retainer** from the **battery tray**, push in on the lower end of the **battery retainer**.
4. Remove the **battery** from the right side of the unit.

HOW TO CLEAN THE BATTERY

1. Remove the **battery**.
2. Wash the **battery** with a solution of one gallon of water and four tablespoons of **baking soda** (**sodium bicarbonate**). Make sure the solution does not get into the **battery cells**.

3. Clean the **terminals** and the ends of the **cables** with a **wire brush**.
4. Install the **battery**.
5. To prevent **corrosion**, apply **grease** to the **battery terminals**.

HOW TO CHARGE THE BATTERY



WARNING: When you charge the **battery**, do not **smoke**. Keep the **battery** away from any **sparks**. The **fumes** from the **battery acid** can cause an **explosion**.

1. Before you charge the **battery**, remove the **battery**.
2. To charge the **battery**, use a **12 volt battery charger**. Charge at a rate of **6 amperes** for **1 hour**.
3. Install the **battery**.



WARNING: To prevent **sparks**, fasten the **red cable** to the **positive (+) terminal** before you connect the **black cable**.

4. Fasten the **red cable** to the **positive (+) terminal** with the fasteners as shown.
5. Mount the **battery boot** onto the **positive (+) terminal**.
6. Fasten the **black cable** to the **negative (-) terminal** with the fasteners as shown.

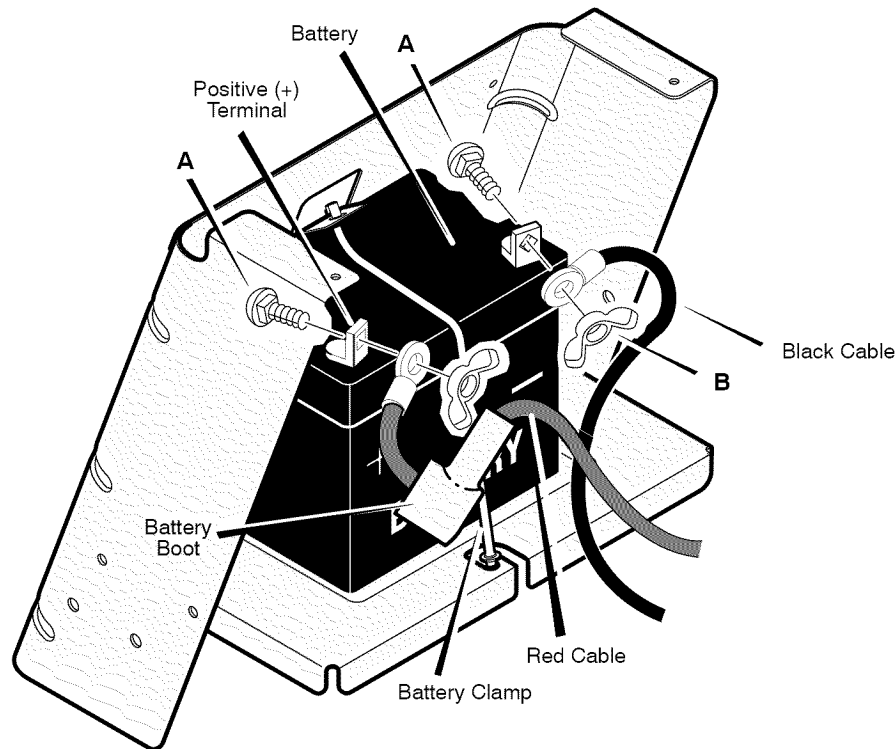


Figure 18

MAINTENANCE

WHERE TO LUBRICATE



Apply grease with a brush to the areas shown.



Lubricate the areas shown with engine oil.

NOTE: Apply grease to the steering gear assembly.

CAUTION: If the unit is operated in dry areas that have sand, use a dry graphite spray to lubricate the unit.

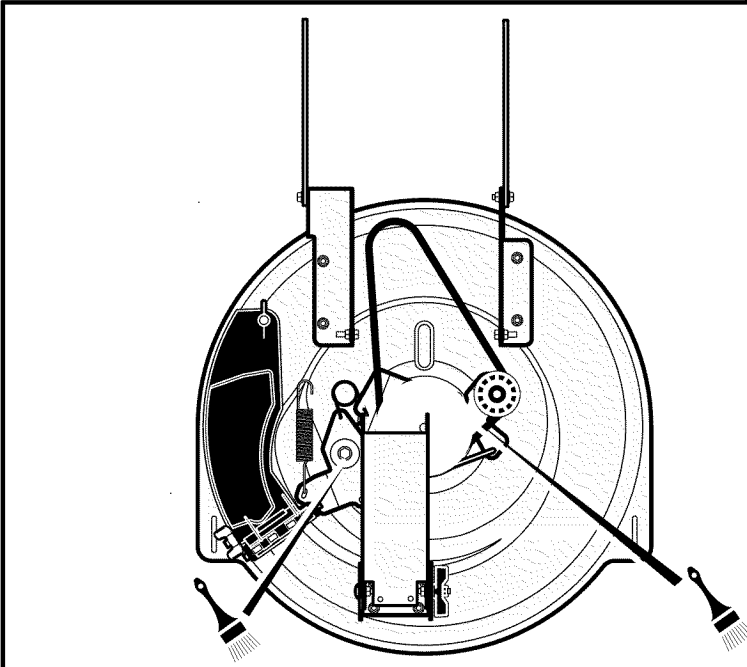
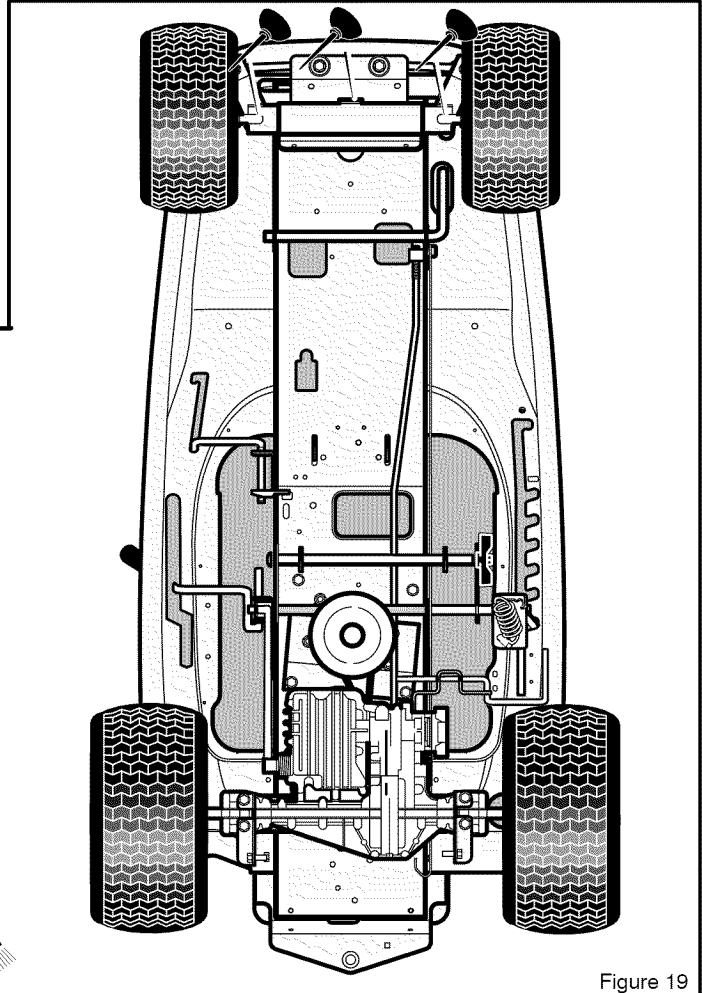


Figure 19

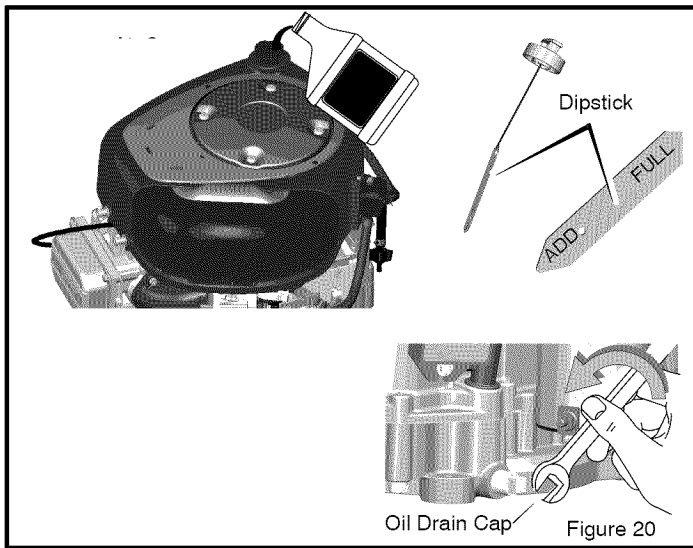
MAINTENANCE

ENGINE

HOW TO CHECK THE OIL

NOTE: Do not check the level of the oil while the engine runs.

1. Make sure the unit is level.
2. Clean the area around the **dipstick** (Figure 20). Remove the **dipstick**. Wipe the oil from the **dipstick**.
3. Insert the **dipstick** into the oil fill tube. Turn the **dipstick** clockwise until it is tight. Remove the **dipstick**. Check the oil level on the **dipstick**. The oil level must reach the FULL mark on the **dipstick**.
4. If necessary, add oil until the oil reaches the FULL mark on the **dipstick**. The quantity of oil needed from ADD to FULL is shown on the **dipstick**. Do not add too much oil.

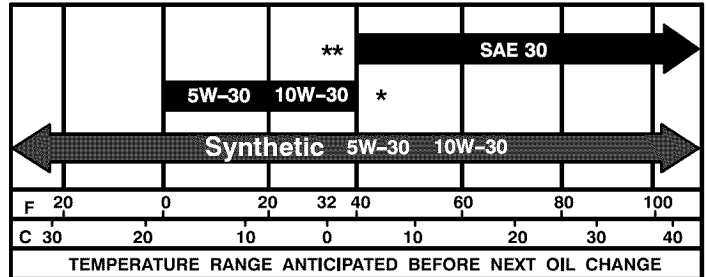


2. Remove the **oil drain cap**. Drain the oil completely from the engine. Install and tighten the **oil drain cap**.
3. Only use a high quality detergent oil rated with API service classification SG, SH, SJ or SL. Select the oil's SAE viscosity grade according to the expected operating temperature using the temperature chart below:



NOTE: Synthetic oil meeting ILSAC GF-2, API certification mark and API service symbol (shown at left) with "SJ/CF ENERGY CONSERVING" or higher, is an acceptable oil at all temperatures. **Use of synthetic oil does not alter required oil change intervals.**

Required SAE viscosity grades



- * **CAUTION:** Air cooled engines run hotter than automotive engines. The use of non-synthetic multi-viscosity oils (5W-30, 10W-30, etc.) in temperatures above 40° F (4° C) will result in higher than normal oil consumption. When using a multi-viscosity oil, check oil level more frequently.
- ** **CAUTION:** SAE 30 oil, if used below 40° F (4° C), will result in hard starting and possible engine bore damage due to inadequate lubrication.

NOTE: Although multi-viscosity oils (5W30, 10W30, etc.) improve starting in cold weather, they will result in increased oil consumption when used above 32° F. Check the engine oil level more frequently to avoid possible engine damage from running low on oil.

HOW TO CHANGE THE OIL

NOTE: Do not drain the oil from a cold engine. Before you drain the oil, let the engine run for several minutes. Make sure you do not get oil on the belts.

1. With the engine OFF but still warm, place the engine level and disconnect the wire from the spark plug.

4. Clean the area around the **dipstick**. Remove the **dipstick**. Slowly pour approximately 48 ounces (3 pints) of oil into the oil extension tube.
5. Insert the **dipstick** into the oil extension tube. Turn the **dipstick** in a clockwise direction until it is tight. Remove the **dipstick**. Check the oil level on the **dipstick**. The oil level must reach the FULL mark on the **dipstick**.

HOW TO CLEAN THE COOLING SYSTEM

The engine is air cooled. The air that cools the engine enters through the **air screen** on top of the engine. Clean the engine every 100 hours or every year as follows.

1. Remove any grass, dirt or debris from the **air screen** with a cloth or brush.
2. Inspect the edge of the **engine shroud** for grass or debris. Remove any grass or debris visible at the bottom edge of the **engine shroud**.

HOW TO CHECK THE MUFFLER

Check the muffler every 50 hours. Make sure the muffler is correctly mounted and is not loose. If the muffler is worn or burnt, replace with a new muffler. A worn muffler is a fire hazard and can damage the engine.

If you mount a spark arrester to the muffler, also check the spark arrester when you check the muffler. If the spark arrester is worn or damaged, replace it with a new spark arrester purchased from a Sears Service Center.

MAINTENANCE

HOW TO CLEAN THE AIR FILTER

NOTE: Never run the engine with the air filters removed. The air filters will help protect the engine against wear. For the correct replacement filter, see the parts list for the engine.

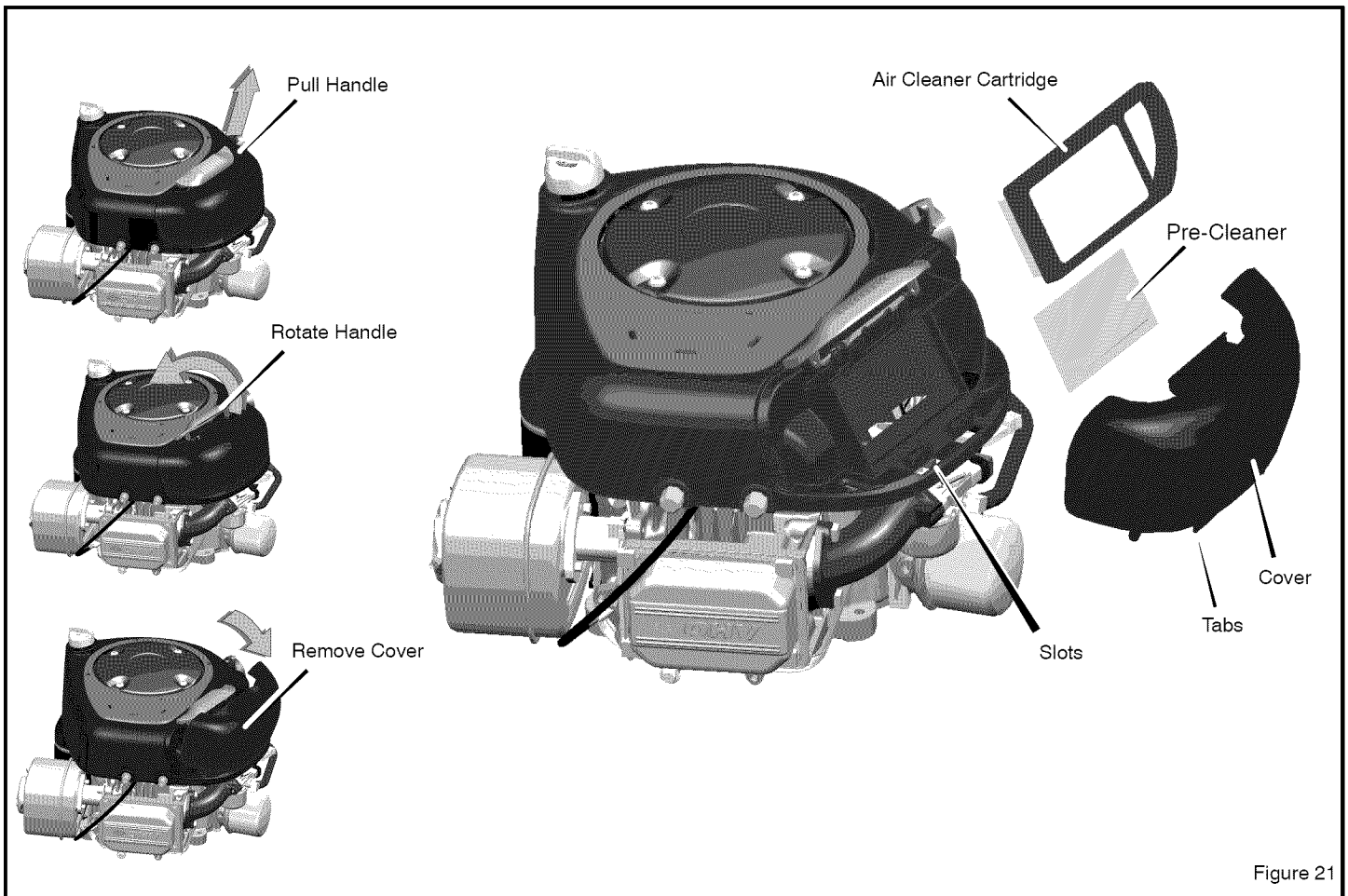
CAUTION: Do not use pressurized air or solvents to clean cartridge. Pressurized air can damage cartridge; solvents will dissolve cartridge.

If the filter is stamped WASHABLE, it can be washed with warm water and mild soap.

IMPORTANT: Rinse in tap water with SCREEN side up allowing dirt and debris to filter out. Leave filter to dry overnight before reinstalling.

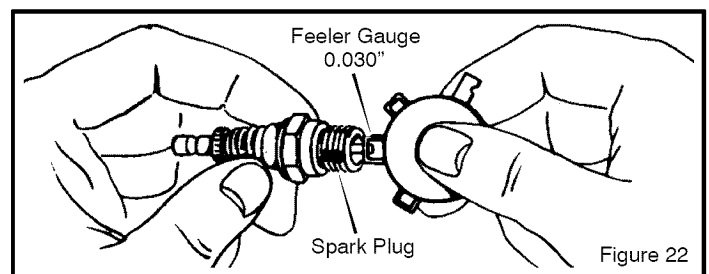
Cartridge removal / installation

1. Pull up on the **handle** for the air cleaner cover. Rotate the **handle** toward the engine (Figure 21).
2. Remove the **cover**.
3. Carefully lift the **air cleaner cartridge**, and the **pre-cleaner**, if equipped, from the blower housing.
4. To prevent debris from falling into the carburetor, carefully clean the air cleaner base.
5. Install a new **pre-cleaner**, if equipped, and **air cleaner cartridge** firmly into the air cleaner base.
6. Align the **tabs** on the **cover** with the **slots** on the blower housing and install the **cover**.
7. To secure the **cover**, rotate the **handle** forward and push down.



HOW TO CHECK THE SPARK PLUG

1. Check the gap of the **spark plug** with a **feeler gauge** (Figure 22). The correct gap is **0.030"**.
2. For easy starting and good performance, replace the **spark plug** every season or 100 hours of use.



SERVICE AND ADJUSTMENT

HOW TO LEVEL THE MOWER HOUSING

If the mower housing is level, the blade will cut easier and the lawn will look better.



WARNING: Before you make an inspection, adjustment, or repair to the unit, disconnect the wire to the spark plug. Remove the spark plug wire to prevent the engine from starting by accident.

1. Make sure the unit is on a hard flat surface.
2. Check the air pressure in the tires. If the air pressure is incorrect, the mower housing will not cut level. The correct air pressure is shown on the side of the tire.
3. Make sure the attachment clutch is in the DISENGAGE position.
4. Open the **cover** (see Figure 23).
5. Move the **lift lever** to the LEVEL ADJUSTMENT position (see Figure 23).
6. Loosen the front and rear **adjuster knobs** (see Figure 23 and Figure 24). Make sure both sides of the mower housing are setting on a flat surface.
7. Make sure that the adjuster plate is loose and can easily move up or down (see Figure 24).
8. Tighten the front and rear **adjuster knobs**. Make sure the **adjuster knobs** are tight. If necessary, use a wrench to tighten the **adjuster knobs**. Tighten to a torque of 10 foot pounds (13,5 N-m).
9. Raise the **lift lever** from the LEVEL ADJUSTMENT position to a CUTTING HEIGHT position (Figure 25).
10. Close the **cover**.
11. Attach the spark plug wire to the spark plug.
12. Mow for a short distance. If the height of cut is not level, repeat the above steps.

CAUTION: Do not operate with the mower housing in the LEVEL ADJUSTMENT position. If you operate in the LEVEL ADJUSTMENT position, the mower housing and blades can be damaged.

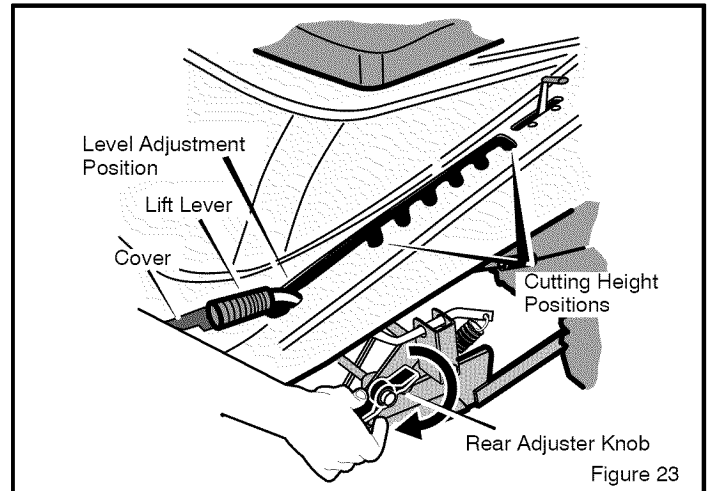


Figure 23

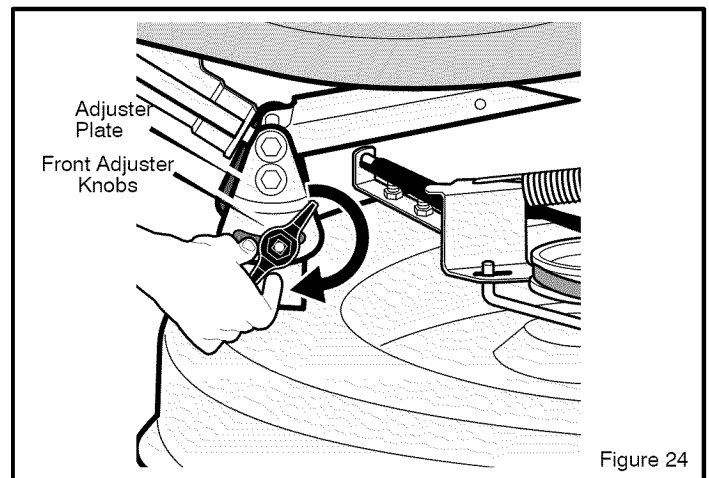


Figure 24

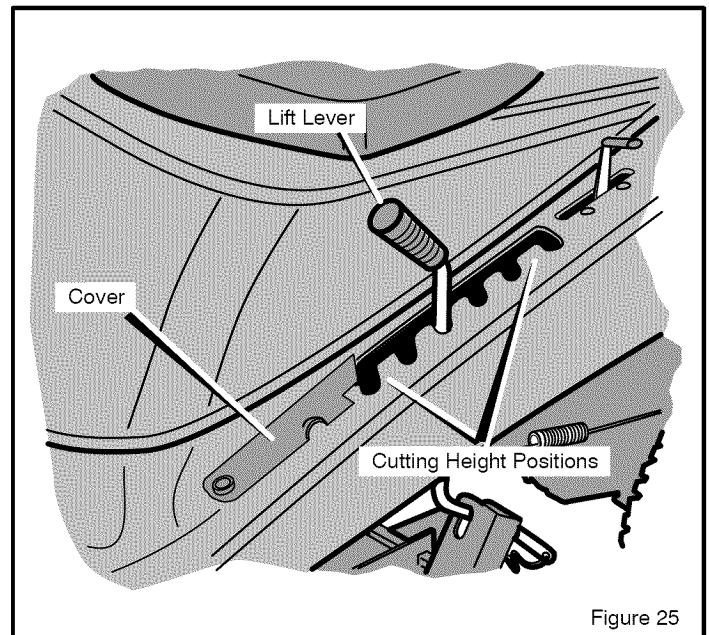


Figure 25

SERVICE AND ADJUSTMENT

HOW TO ADJUST THE ATTACHMENT CLUTCH



WARNING: To prevent an injury, the attachment clutch must operate correctly.

In normal usage, the **attachment clutch** will not require an adjustment. However, if the cutting performance decreases or the quality of cut is poor, make the following changes.

1. When you mow, make sure the throttle control is in the **FAST** position.
2. Move the **attachment clutch** to the **DISENGAGE** position (Figure 26).
3. Stop the engine. Disconnect the wire from the spark plug.

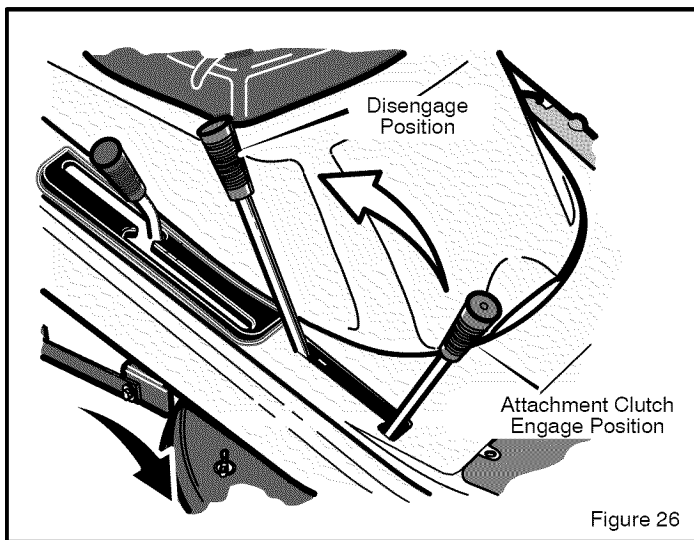


Figure 26

4. Check the blade(s). Keep a sharp edge on the blade(s). A blade that is not sharp will cause the tips of the grass to become brown.
5. If the quality of cut has not improved, replace the **mower drive belt**. See "How To Replace The Mower Drive Belt". If replacing the belt does not correct the problem, take the unit to a Sears or other qualified service center.
6. Move the **attachment clutch** to the **DISENGAGE** position. Stop the engine. Disconnect the wire from the spark plug.
7. Check the operation of the **blade brake**. Rotate the pulley with your hand. Make sure the **brake pad** is pressed tightly against the pulley (Figure 27).



WARNING: If the brake pad does not press tightly against the pulley, take the unit to a Sears or other qualified service center.

8. Move the **attachment clutch** to the **ENGAGE** position.
9. Check the pad for the **blade brake**. If the pad is excessively worn or damaged, replace the **brake pad** assemblies. Correct replacement parts and assistance are available from a Sears service center.
10. Attach the wire to the spark plug. Mow for a short distance and again check the operation of the **attachment clutch**.
11. When you move the **attachment clutch** to the **DISENGAGE** position, all movement will stop within five seconds. If there is movement of the belt or the blades continue to rotate, engage and disengage the **attachment clutch** five times to remove any excess rubber from a new **mower drive belt**. If you need assistance, take the unit to a Sears or other qualified service center.

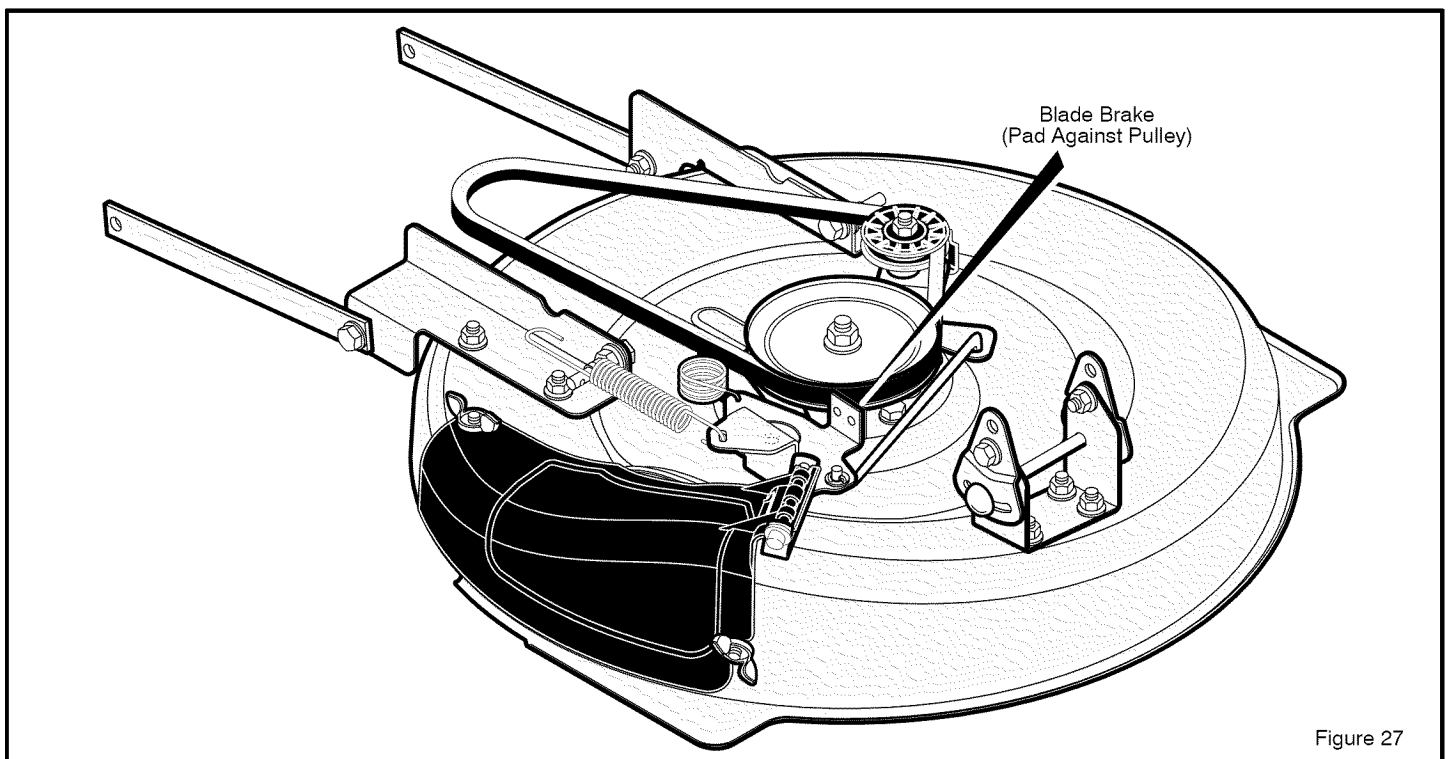


Figure 27

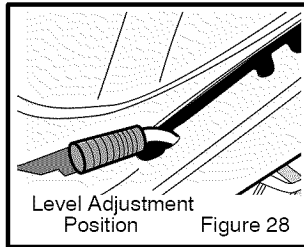
SERVICE AND ADJUSTMENT

HOW TO REMOVE THE MOWER HOUSING

1. Move the **attachment clutch** to the DISENGAGE position.
2. Move the **lift lever** to the level adjustment position (Figure 28).

NOTE: Make sure the lift lever is locked in the LEVEL ADJUSTMENT position.

3. Remove the hair pins and the washers from the **rear suspension arms** (Figure 29). See illustrations "C" and "D".
4. Remove the hair pins and washers from the **suspension links**. See illustrations "A" and "B".
5. Disconnect the **extension spring** from the **blade control rod**. See illustration "E".
6. Disconnect the **front hanger** from the frame support. See illustration "F".
7. Remove the **mower drive belt** from the **stack pulley**. See illustration "G".
8. Pull the mower housing away from the right side of the unit.
9. To operate without the mower housing, move the lift lever to the TOP position.



HOW TO INSTALL THE MOWER HOUSING

1. Push the mower housing under the right side of the unit.
2. Put the **mower drive belt** around the **stack pulley**. Make sure the "V" side of the **mower drive belt** is against the **stack pulley**. Also, make sure the **mower drive belt** is not twisted.
3. Attach the **front hanger** to the frame support with the **hanger rod**. Fasten with the fasteners as shown. See illustration "F".
4. Make sure the **mower drive belt** is between the **stack pulley** and the two **belt guides**. See illustration "G".
5. Attach the **suspension links** to the **lifter assembly**. Fasten with the washers and hair pins. See illustrations "A" and "B".
6. Attach the **rear suspension arms** to the suspension brackets. Fasten with the washers and hair pins. See illustrations "C" and "D".
7. Attach the **extension spring** to the **blade control rod**. See illustration "E".
8. Move the **attachment clutch** to the ENGAGE position. Make sure the **mower drive belt** is inside all the **belt guides** and is also below the **spacer tube**.
9. Make sure the mower housing is level. See the instructions on "How To Level The Mower Housing".
10. Check the operation of the **attachment clutch**. See the instructions on "How To Adjust The Attachment Clutch".

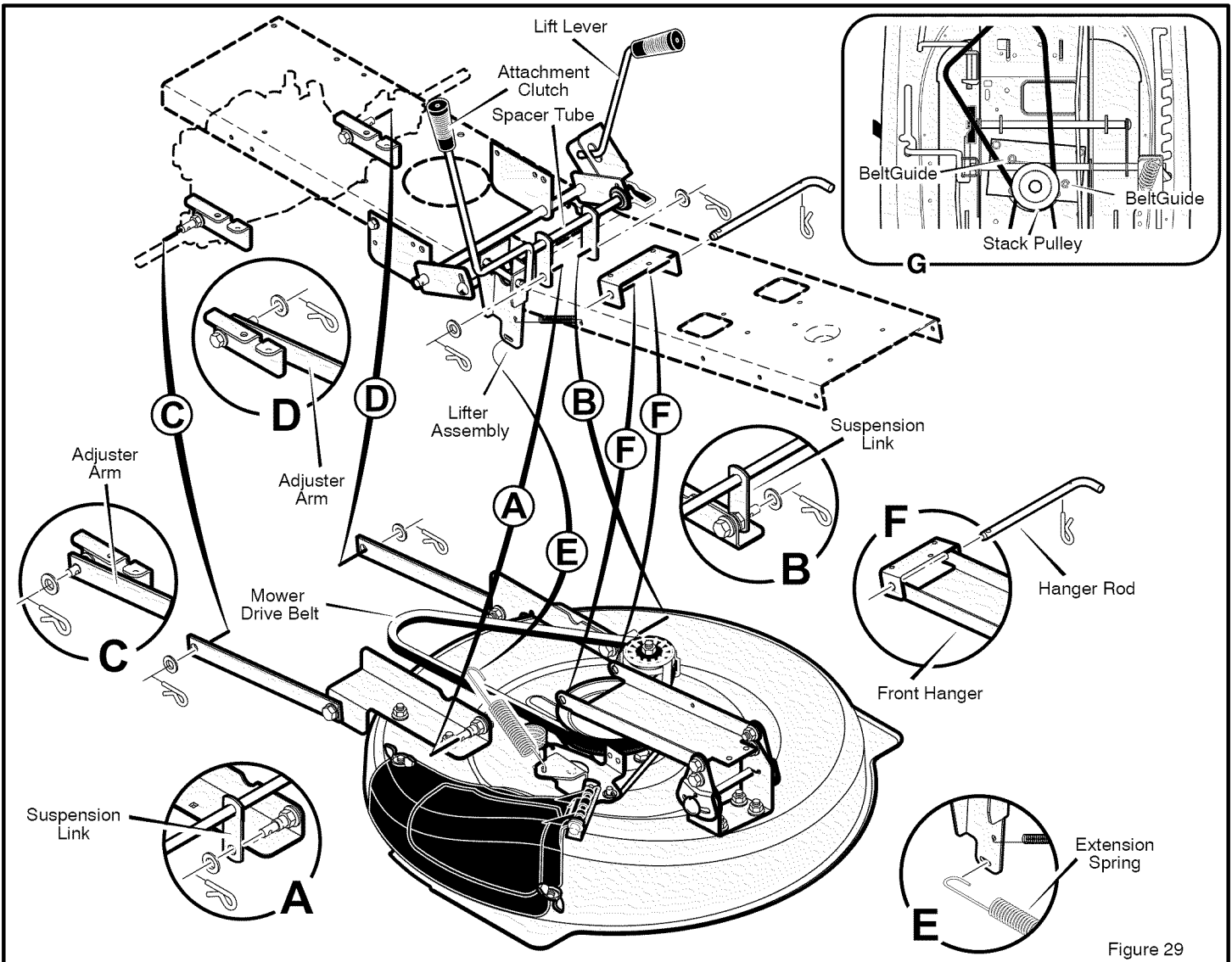


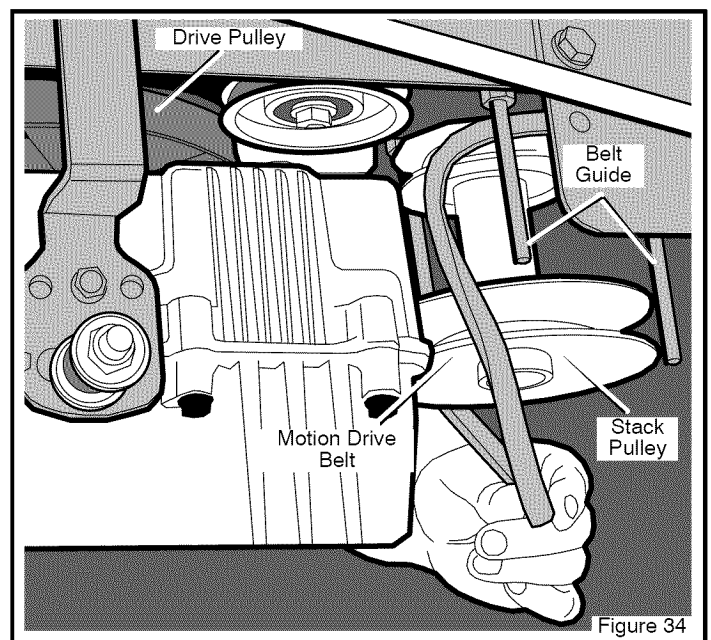
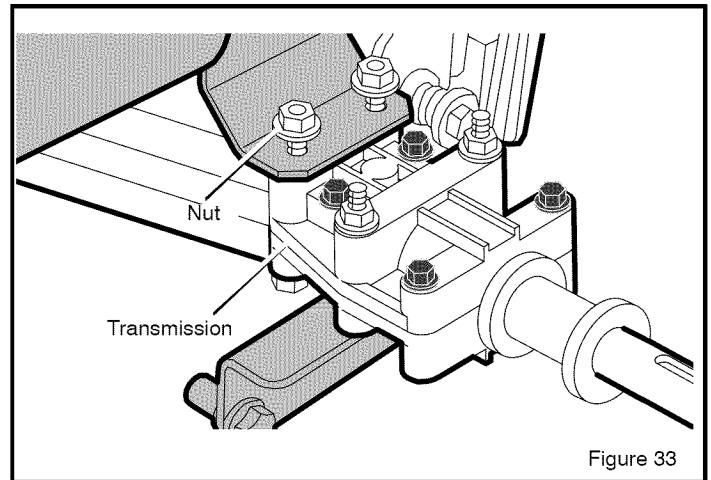
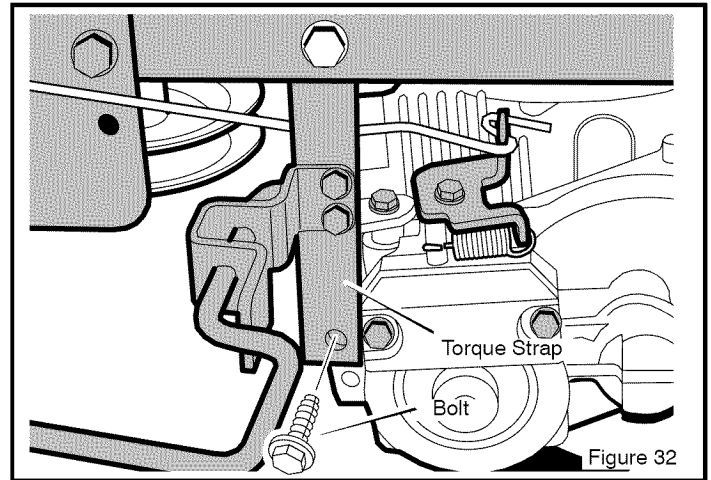
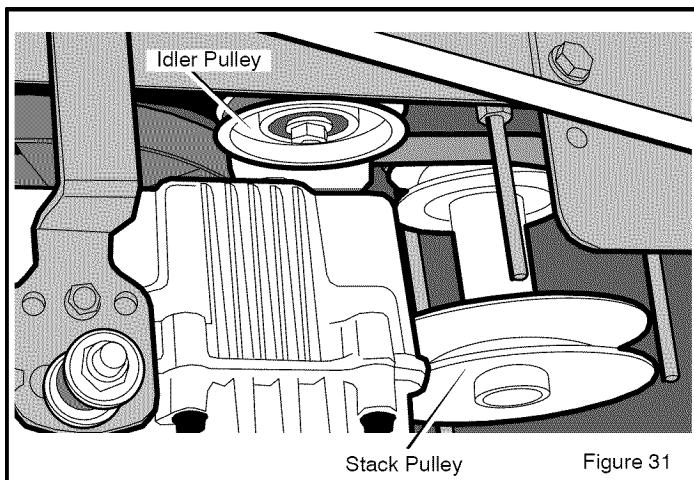
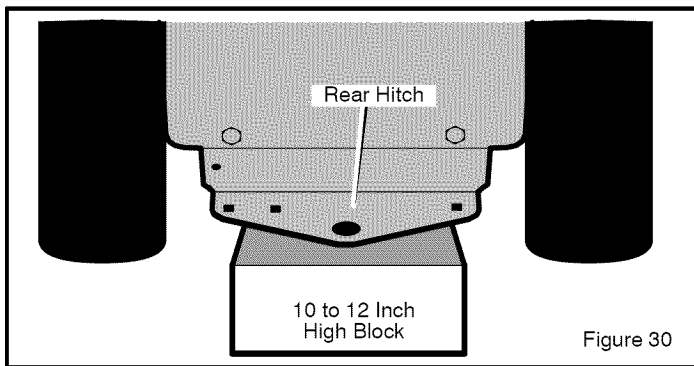
Figure 29

SERVICE AND ADJUSTMENT

HOW TO REPLACE THE MOTION DRIVE BELTS

ENGINE DRIVE BELT REMOVAL

1. Remove the mower housing. See the instructions on "How To Remove The Mower Housing".
2. Set the **rear hitch** on a **10 to 12 inch block**. The block must be high enough to raise the rear wheel off the ground (see Figure 30).
3. Remove the rear wheels.
4. Remove the **idler pulley** (see Figure 31).
5. Remove the **bolt** from the **torque strap** (see Figure 32).
6. Loosen the **nuts** from each side of the **transmission** (see Figure 33). Do not remove the **nuts**. Loosen until the **nuts** are at the top of the **bolts**.
7. Slip the rear of the **motion drive belt** over the **drive pulley** and out the front of the transmission. Then, pull the **motion drive belt** down between the **belt guides** and the **stack pulley** (see Figure 34).
8. To install, reverse the above steps.
9. Install the mower housing. See the instructions on "How To Install The Mower Housing".
10. Check the operation of the drive system. See "How To Check And Adjust The Clutch" and also "How To Adjust The Speed Control Lever".



SERVICE AND ADJUSTMENT

HOW TO REPLACE THE MOWER DRIVE BELT

1. Remove the mower housing. See the instructions on "How To Remove The Mower Housing".
2. Pull the **belt retainer** away from the **idler pulley** and remove the **mower drive belt** (Figure 35).
3. Pull the **brake pad** away from the **jackshaft pulley** and remove the **mower drive belt**.
NOTE: Replace the mower drive belt with an original equipment belt purchased from a Sears Service Center.
4. Install the new **mower drive belt**. Pull the **brake pad** away from the **jackshaft pulley**. Put the **mower drive belt** around the **jackshaft pulley**.
5. Pull the **belt retainer** away from the **idler pulley**. Put the **mower drive belt** around the **idler pulley**.
6. Make sure the "V" side of the **mower drive belt** is against the **jackshaft pulley** and the **idler pulley**.
7. Install the mower housing. See the instructions on "How To Install The Mower Housing".
8. Before you mow, check the attachment clutch. See the instructions on "How To Adjust The Attachment Clutch".

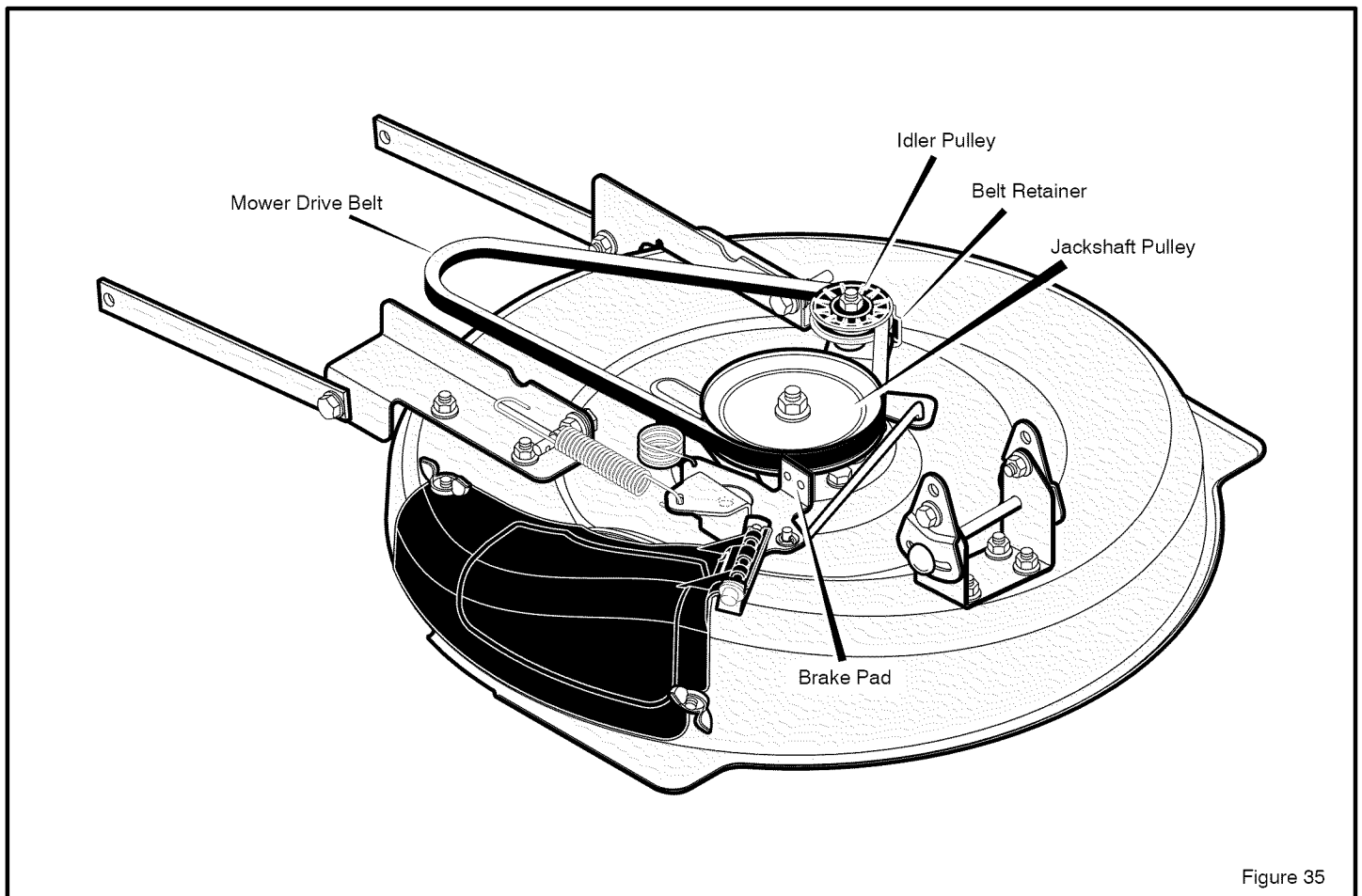


Figure 35

SERVICE AND ADJUSTMENT

HOW TO ADJUST THE SPEED CONTROL LEVER

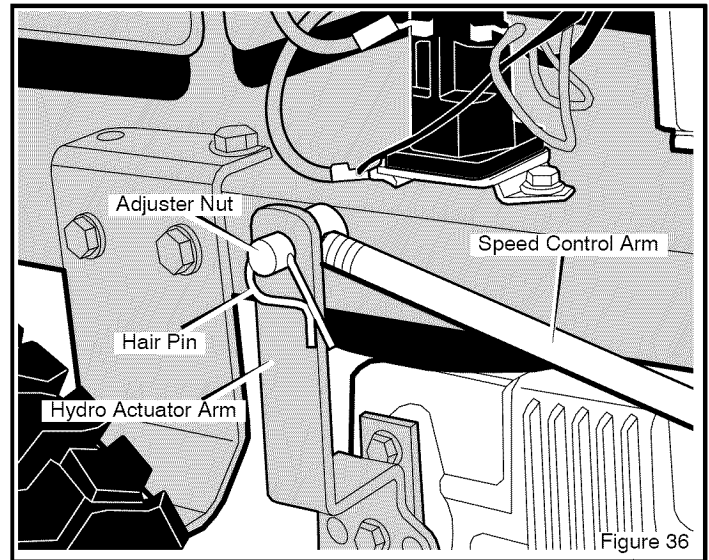


WARNING: Before you make an inspection, adjustment, or repair to the unit, disconnect the wire to the spark plug. Remove the wire from the spark plug to prevent the engine from starting by accident.

If a drive belt becomes worn or after the installation of a new drive belt, the speed control lever may need an adjustment. When the speed control lever is moved to the NEUTRAL position, the unit must come to a complete stop. If the unit does not come to a complete stop, adjust as follows.

1. Move the speed control lever to the NEUTRAL position.
2. Remove the **hair pin** from the **adjuster nut** (see Figure 36).
3. Disconnect the **adjuster nut** from the **hydro actuator arm**.
4. If the unit was slowly moving forward when the speed control lever was in the NEUTRAL position, then turn the **adjuster nut** clockwise (forward) one or two turns. This will *decrease* the length of the **speed control rod**.
5. If the unit was slowly moving rearward when the speed control lever was in the NEUTRAL position, then turn the **adjuster nut** counterclockwise (backward) one or two turns. This will *increase* the length of the **speed control rod**.

6. Assemble the **adjuster nut** to the **hydro actuator arm** and secure with the **hair pin**.
7. Connect the wire to the spark plug. Start the engine and test drive the unit. Make sure that the unit will come to a complete stop when the speed control lever is put in the NEUTRAL position.



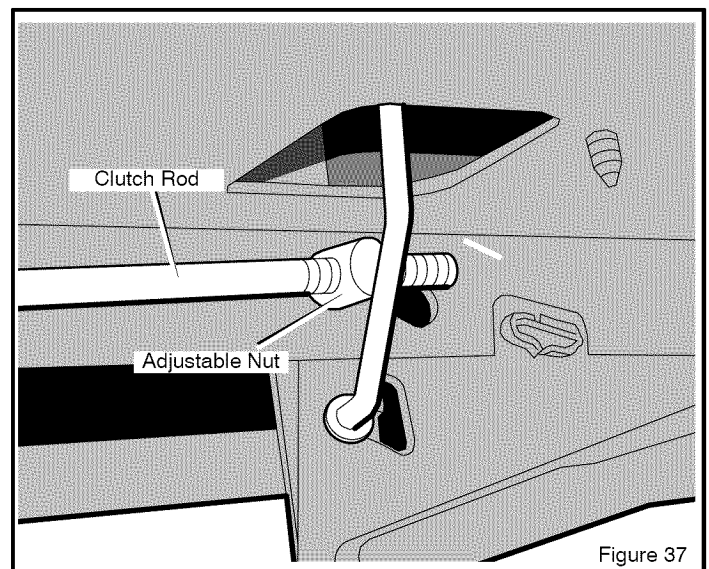
HOW TO CHECK AND ADJUST THE CLUTCH

If the engine drive belt is loose, the clutch will slip when; (1) going up a hill, (2) pulling a heavy load, or (3) the unit will not move forward. Adjust the clutch as follows.



WARNING: Before you make an inspection, adjustment, or repair to the unit, disconnect the wire to the spark plug. Remove the wire from the spark plug to prevent the engine from starting by accident.

1. Remove the hair pin and washer from the **adjustable nut** (Figure 37).
2. Turn the **adjuster nut** counterclockwise (forward) to increase the movement of the pedal and tighten the belt.
3. Assemble the **adjustable nut** and fasten with the **washer** and **cotter pin**.
4. Connect the wire to the spark plug. Start the engine and test drive the unit. Make sure that the clutch does not slip or that the belt does not slip.
5. If the belt still slips after the clutch has been adjusted, then the motion drive belt is worn or damaged and must be replaced. See "How To Replace The Motion Drive Belts".



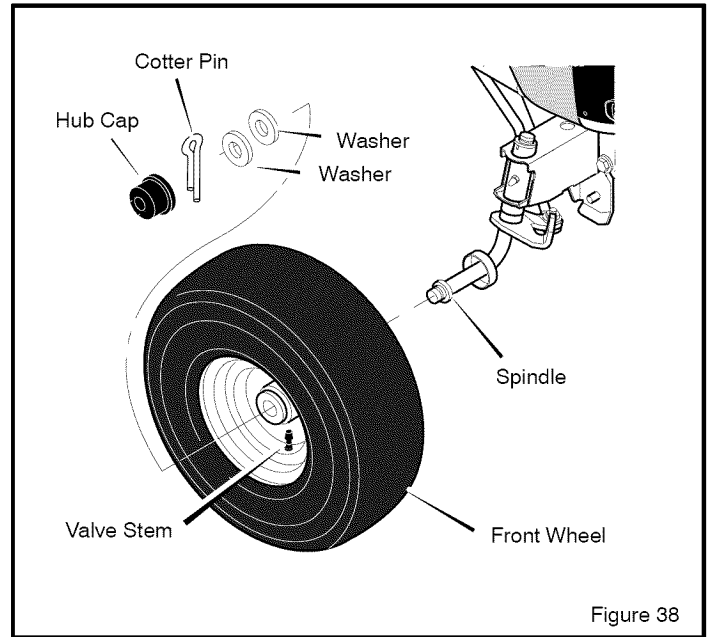
SERVICE AND ADJUSTMENT

HOW TO INSTALL THE WHEELS

If the wheels must be removed for service, make sure they are installed as follows.

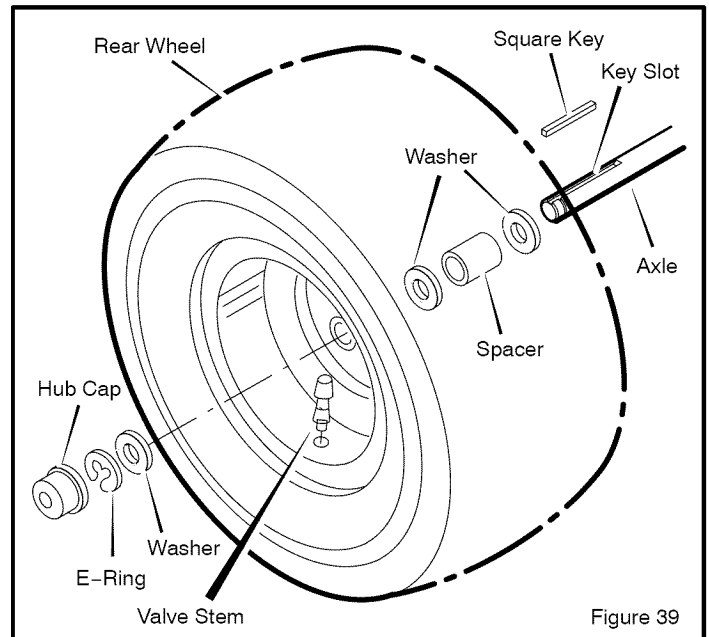
Front Wheel

1. Make sure the **valve stem** is to the outside of the tractor. Slide the **front wheel** on the **spindle** (See Figure 38).
2. Fasten the **front wheel** with **washer** and **cotter pin**. Bend the ends of the **cotter pin** apart to keep the **front wheel** on the **spindle**.
3. If your model has **hub caps**, install the **hub caps**. Make sure the **washer** hold the **hub caps** in place.



Rear Wheel

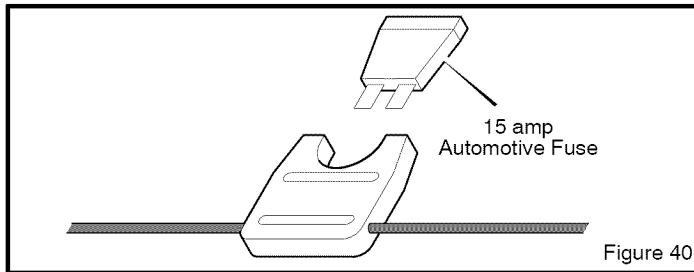
1. Install the **washers** and **spacer** onto the **axle** as shown in Figure 39.
2. Mount the **square key** in the **key slot** (See Figure 39).
3. Make sure the **valve stem** is to the outside of the tractor. Align the slot in the **rear wheel** with the **square key**. Slide the **rear wheel** on the **axle**.
4. Fasten the **rear wheel** with **washer** and **e-ring**.
5. If your model has **hub caps**, install the **hub caps**. Make sure the **washer** hold the **hub caps** in place.



SERVICE AND ADJUSTMENT

HOW TO REPLACE THE FUSE

If the fuse is blown, the engine will not start. The location of the fuse is next to the battery. Remove the fuse and replace with a 15 amp. automotive fuse (Figure 40).



HOW TO CLEAN THE MOWER HOUSING



WARNING: Before you clean the mower housing, stop the engine and disconnect the wire to the spark plug.

Grass and other debris on top of the mower housing can keep the belt from working correctly. For safety and correct operation, frequently clean the top of the mower housing. Remove grass and debris from around the pulleys and other moving parts.

1. Move the lever for the attachment clutch to the ENGAGE position.
2. Clean the top of the mower housing.
3. Move the lever for the attachment clutch to the DISENGAGE position.
4. Again clean the top of the mower housing.
5. After you cut the grass, clean the bottom of the mower housing.

FRONT WHEEL ALIGNMENT

The alignment of the front wheels cannot be adjusted. If the steering is damaged and the alignment has changed, take the unit to your nearest Sears Service Center.

STORAGE (over 30 days)

At the end of each year, prepare the unit for storage as follows.

GENERAL INSPECTION

1. Inspect the belts. If the belts are damaged or worn, replace with replacement belts from the factory. See the belt replacement instructions in the Service And Adjustment section.
2. Make sure all nuts, bolts and screws are tight. Inspect moving parts for damage, breakage and wear. Replace if necessary.

MOWER HOUSING

1. Clean the mower housing. See "How To Clean The Mower Housing".

LUBRICATE THE UNIT

See the "Where To Lubricate" instructions in the Maintenance section.

THE ENGINE

1. Clean the dirt and grass from the engine.
2. Change the oil. See the instructions, "How To Change The Oil".
3. Check the air screen. See the instructions, "How To Clean The Cooling System".
4. Check the spark plug. See the instructions, "How To Check The Spark Plug".

THE FUEL SYSTEM



WARNING: Do not drain the gasoline inside a building or near a fire. Do not smoke because the fumes from the fuel can cause an explosion.

It is important to prevent gum deposits from forming in essential fuel system parts such as the carburetor, fuel filter, fuel hose or tank during storage. Also, alcohol blended fuels (called gasohol or using ethanol or methanol) can attract moisture which leads to separation and formation of acids during storage. Acidic gas can damage the fuel system of an engine while in storage.

To avoid engine problems, the fuel system should be emptied before storage of 30 days or longer. Follow these instructions:

NOTE: Fuel stabilizer (like STA-BIL) is an acceptable alternative in reducing the formation of fuel gum in the fuel tank and the gasoline storage container. Always follow the mix ratio located on the container of stabilizer. Run the engine at least 10 minutes after adding the stabilizer to allow the stabilizer to reach the carburetor. Do not drain the fuel tank and carburetor if stabilizer is used.

If you do not use a stabilizer, do the following:

1. Start the engine.
2. Run the engine until the fuel tank and the carburetor are out of fuel and the engine stops.
3. Do not leave fuel in the fuel tank or the carburetor. The fuel can damage the function of the fuel system.
4. After storage, make sure you use fresh fuel.

THE BATTERY

1. Remove the battery.
2. Clean the battery terminals of any deposits.
3. Charge the battery. See the instructions on "How To Charge The Battery".
4. Store the battery in a cool, dry place.

NOTE: After a long time in storage, charge the battery.

TROUBLESHOOTING CHART

PROBLEM: The engine will not start.

1. Follow the steps, "How To Start The Engine" in this book.
2. Electric-Start Models: Clean the battery terminals. Tighten the cables.
3. Drain the fuel tank. Clean the fuel line. Replace the fuel filter.
4. Remove the spark plug(s). Move the throttle to the SLOW position. Turn the ignition key to the ON position. Try to start the engine several times. Install the spark plug.
5. Replace the spark plug.
6. Adjust the carburetor.

PROBLEM: The engine will not turn over.

1. Follow the steps, "How To Start The Engine" in this book.
2. Electric-Start Models: Check the level of the acid in the battery. If needed, add water. Charge the battery.
3. Replace the fuse.
4. Check the wiring harness for damage or a loose connection. Repair the damaged wire.
5. Electric-Start Models: replace the solenoid. Recoil-Start Models: replace the module.

PROBLEM: The engine is difficult to start.

1. Adjust the carburetor.
2. Replace the spark plug.
3. Replace the fuel filter.

PROBLEM: The engine does not run smooth or has a loss of power.

1. Check the oil.
2. Clean the air filter.
3. Clean the air screen.
4. Replace the spark plug.
5. The engine is working too hard. Use a lower gear.
6. Adjust the carburetor.
7. Replace the fuel filter.

PROBLEM: The engine does not run smooth at fast speed.

1. Replace the spark plug.
2. Adjust the throttle control.
3. Clean the air filter.
4. Replace the fuel filter.

PROBLEM: The engine stops when the blades are engaged.

1. Check the wiring harness for damage or a loose connection. Repair the damaged wire.
2. Transmission is in reverse. Before operating in reverse, move the blade rotation control to the **DISENGAGED** position.

PROBLEM: On slopes, the engine stops.

1. Mow up and down slopes. Never mow across a slope.

PROBLEM: The engine will not idle.

1. Replace the spark plug.
2. Clean the air filter.
3. Adjust the carburetor.
4. Adjust the throttle control.
5. Drain the fuel tank. Clean the fuel line. Replace the fuel filter.

PROBLEM: A hot engine causes a decrease in power.

1. Clean the air screen.
2. Check the oil.
3. Adjust the carburetor.
4. Replace the fuel filter.

PROBLEM: Excessive vibration.

1. Replace the blade.
2. Check for loose engine bolts.
3. Decrease the air pressure in the tires.
4. Adjust the carburetor.
5. Check for a damaged belt or damaged pulley. Replace the damaged parts.

PROBLEM: The grass does not discharge correctly.

1. Stop the engine. Clean the mower housing.
2. Raise the height of cut.
3. Replace or sharpen the blade(s).
4. Move the shift lever to a slower speed.
5. Move the throttle control to the FAST position.
6. Replace the spring for the blade idler.

PROBLEM: The mower housing does not cut level.

1. Check the air pressure in the tires.
2. Adjust the level of the mower housing.
3. Check the front axle. If the front axle does not freely pivot, loosen the axle bolt(s).

PROBLEM: The mower blades will not rotate.

1. Check the mower drive belt. Make sure the belt is installed correctly.
2. Replace the mower drive belt.

PROBLEM: The unit will not move when the clutch is engaged.

1. Check the motion drive belt. Make sure the belt is installed correctly.
2. Adjust the clutch.
3. Replace the motion drive belt.

PROBLEM: The unit moves slower or stops when the clutch is engaged.

1. Adjust the clutch.
2. Replace the motion drive belt.

PROBLEM: When the clutch/brake pedal is released, belt noise can be heard.

1. Temporary belt noise does not change the operation of the unit. If belt noise is continuous, check the routing of the belt. Make sure the belt is inside all belt guides.
2. If the noise is continuous, adjust the clutch.

PROBLEM: The rear wheels spin over uneven terrain.

1. Check the front axle. If the front axle does not freely pivot, loosen the axle bolt(s).

PROBLEM: The engine stops when the operator leaves the seat.

1. This is normal. The operator presence system is designed to allow operation only if the operator is in the seat.

PROBLEM: The engine stops when selecting reverse travel.

1. Before selecting reverse travel, move the blade rotation control to the DISENGAGE position. See the Operation section for details.

PROBLEM: The transaxle is difficult to shift between gears with the engine running and the clutch depressed.

1. Check the clutch adjustment to make sure the belt stops when the clutch pedal is depressed with the transaxle in (N) neutral.
2. Check the belt guides around the transaxle drive pulley. Make sure the belt guides do not touch the pulley.

(This page applicable in the U.S.A. and Canada only.)

**Sears, Roebuck and Co., U.S.A. (Sears), the California Air Resources Board (CARB)
and the United States Environmental Protection Agency (U.S. EPA)
Emission Control System Warranty Statement (Owner's Defect Warranty Rights and Obligations)**

EMISSION CONTROL WARRANTY COVERAGE IS APPLICABLE TO CERTIFIED ENGINES PURCHASED IN CALIFORNIA IN 1995 AND THEREAFTER, WHICH ARE USED IN CALIFORNIA, AND

California and United States Emission Control Defects Warranty Statement

The California Air Resources Board (CARB), U.S. EPA and Sears are pleased to explain the Emission Control System Warranty on your model year 2000 and later small off-road engine (SORE). In California, new small off-road engines must be designed, built and equipped to meet the State's stringent anti-smog standards. Elsewhere in the United States, new non-road, spark-ignition engines certified for model year 1997 and later must meet similar standards set forth by the U.S. EPA. Sears must warrant the emission control system on your engine

Sears Emission Control Defects Warranty Coverage

Small off-road engines are warranted relative to emission control parts defects for a period of two years, subject to provisions set forth

Owner's Warranty Responsibilities

As the small off-road engine owner, you are responsible for the performance of the required maintenance listed in your Operating and Maintenance Instructions. Sears recommends that you retain all your receipts covering maintenance on your small off-road engine, but Sears cannot deny warranty solely for the lack of receipts or for your failure to ensure the performance of all scheduled maintenance.

As the small off-road engine owner, you should however be aware that Sears may deny you warranty coverage if your small off-road engine or a part has failed due to abuse, neglect, improper maintenance or unapproved modifications.

Sears Emission Control Defects Warranty Provisions

The following are specific provisions relative to your Emission Control Defects Warranty Coverage. It is in addition to the Sears engine warranty for non-regulated engines found in the Operating and Maintenance Instructions.

1. Warranted Parts

Coverage under this warranty extends only to the parts listed below (the emission control systems parts) to the extent these parts were present on the engine purchased.

a. Fuel Metering System

- Cold start enrichment system
- Carburetor and internal parts
- Fuel Pump

b. Air Induction System

- Air cleaner
- Intake manifold

c. Ignition System

- Spark plug(s)
- Magneto ignition system

d. Catalyst System

- Catalytic converter
- Exhaust manifold
- Air injection system or pulse valve

e. Miscellaneous Items Used in Above Systems

- Vacuum, temperature, position, time sensitive valves and switches
- Connectors and assemblies

2. Length of Coverage

Sears warrants to the initial owner and each subsequent purchaser that the Warranted Parts shall be free from defects in materials and workmanship which caused the failure of the Warranted Parts for a period of two years from the date the engine is delivered to a retail purchaser.

TO CERTIFIED MODEL YEAR 1997 AND LATER ENGINES WHICH ARE PURCHASED AND USED ELSEWHERE IN THE UNITED STATES (AND AFTER JANUARY 1, 2001 IN CANADA).

for the periods of time listed below, provided there has been no abuse, neglect or improper maintenance of your small off-road engine.

Your emission control system includes parts such as the carburetor, air cleaner, ignition system, muffler and catalytic converter. Also included may be connectors and other emission related assemblies. Where a warrantable condition exists, Sears will repair your small off-road engine at no cost to you including diagnosis, parts and labor.

below. If any covered part on your engine is defective, the part will be repaired or replaced by Sears.

You are responsible for presenting your small off-road engine to an Authorized Sears Service Dealer as soon as a problem exists. The undisputed warranty repairs should be completed in a reasonable amount of time, not to exceed 30 days.

If you have any questions regarding your warranty rights and responsibilities, you should contact a Sears Service Representative at 1-800-469-4663.

The emission warranty is a defects warranty. Defects are judged on normal engine performance. The warranty is not related to an in-use emission test.

3. No Charge

Repair or replacement of any Warranted Part will be performed at no charge to the owner, including diagnostic labor which leads to the determination that a Warranted Part is defective, if the diagnostic work is performed at an Authorized Sears Service Dealer. For emissions warranty service contact your nearest Authorized Sears Service Dealer as listed in the "Yellow Pages" under "Engines, Gasoline," "Gasoline Engines," "Lawn Mowers," or similar category.

4. Claims and Coverage Exclusions

Warranty claims shall be filed in accordance with the provisions of the Sears Engine Warranty Policy. Warranty coverage shall be excluded for failures of Warranted Parts which are not original Sears parts or because of abuse, neglect or improper maintenance as set forth in the Sears Engine Warranty Policy. Sears is not liable to cover failures of Warranted Parts caused by the use of add-on, non-original, or modified parts.

5. Maintenance

Any Warranted Part which is not scheduled for replacement as required maintenance or which is scheduled only for regular inspection to the effect of "repair or replace as necessary" shall be warranted as to defects for the warranty period. Any Warranted Part which is scheduled for replacement as required maintenance shall be warranted as to defects only for the period of time up to the first scheduled replacement for that part. Any replacement part that is equivalent in performance and durability may be used in the performance of any maintenance or repairs. The owner is responsible for the performance of all required maintenance, as defined in the Sears Operating and Maintenance Instructions.

6. Consequential Coverage

Coverage hereunder shall extend to the failure of any engine components caused by the failure of any Warranted Part still under warranty.

Look For Relevant Emissions Durability Period and Air Index Information On Your Engine Emissions Label

Engines that are certified to meet the California Air Resources Board (CARB) Tier 2 Emission Standards must display information regarding the Emissions Durability Period and the Air Index. Sears, Roebuck and Co., U.S.A. makes this information available to the consumer on our emission labels.

The **Emissions Durability Period** describes the number of hours of actual running time for which the engine is certified to be emissions compliant, assuming proper maintenance in accordance with the Operating & Maintenance Instructions. The following categories are used:

Moderate: Engine is certified to be emission compliant for 125 hours of actual engine running time.

Intermediate: Engine is certified to be emission compliant for 250 hours of actual engine running time.

Extended: Engine is certified to be emission compliant for 500 hours of actual engine running time.

For example, a typical walk-behind lawn mower is used 20 to 25 hours per year. Therefore, the **Emissions Durability Period** of an engine with an **intermediate** rating would equate to 10 to 12 years.

The **Air Index** is a calculated number describing the relative level of emissions for a specific engine family. The lower the **Air Index**, the cleaner the engine. This information is displayed in graphical form on the emissions label.

After July 1, 2000, Look For Emissions Compliance Period On Engine Emissions Compliance Label

After July 1, 2000 certain Sears, Roebuck and Co., U.S.A. engines will be certified to meet the United States Environmental Protection Agency (USEPA) Phase 2 emission standards. For Phase 2 certified engines, the Emissions Compliance Period referred to on the Emissions Compliance label indicates the number of operating hours for which the engine has been shown to meet Federal emission requirements. For engines less than 225 cc displacement, Category C = 125 hours, B = 250 hours and A = 500 hours. For engines of 225 cc or more, Category C = 250 hours, B = 500 hours and A = 1000 hours.

The displacement engines of Model Series 90000 is 148 cc.

The displacement engines of Model Series 120000 is 206 cc.

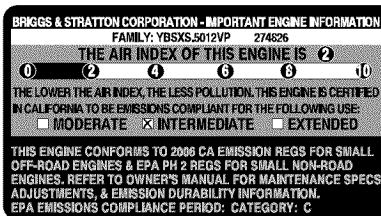
The displacement engines of Model Series 190000 is 319 cc.

The displacement engines of Model Series 200000 is 305 cc.

The displacement engines of Model Series 210000 is 342 cc.

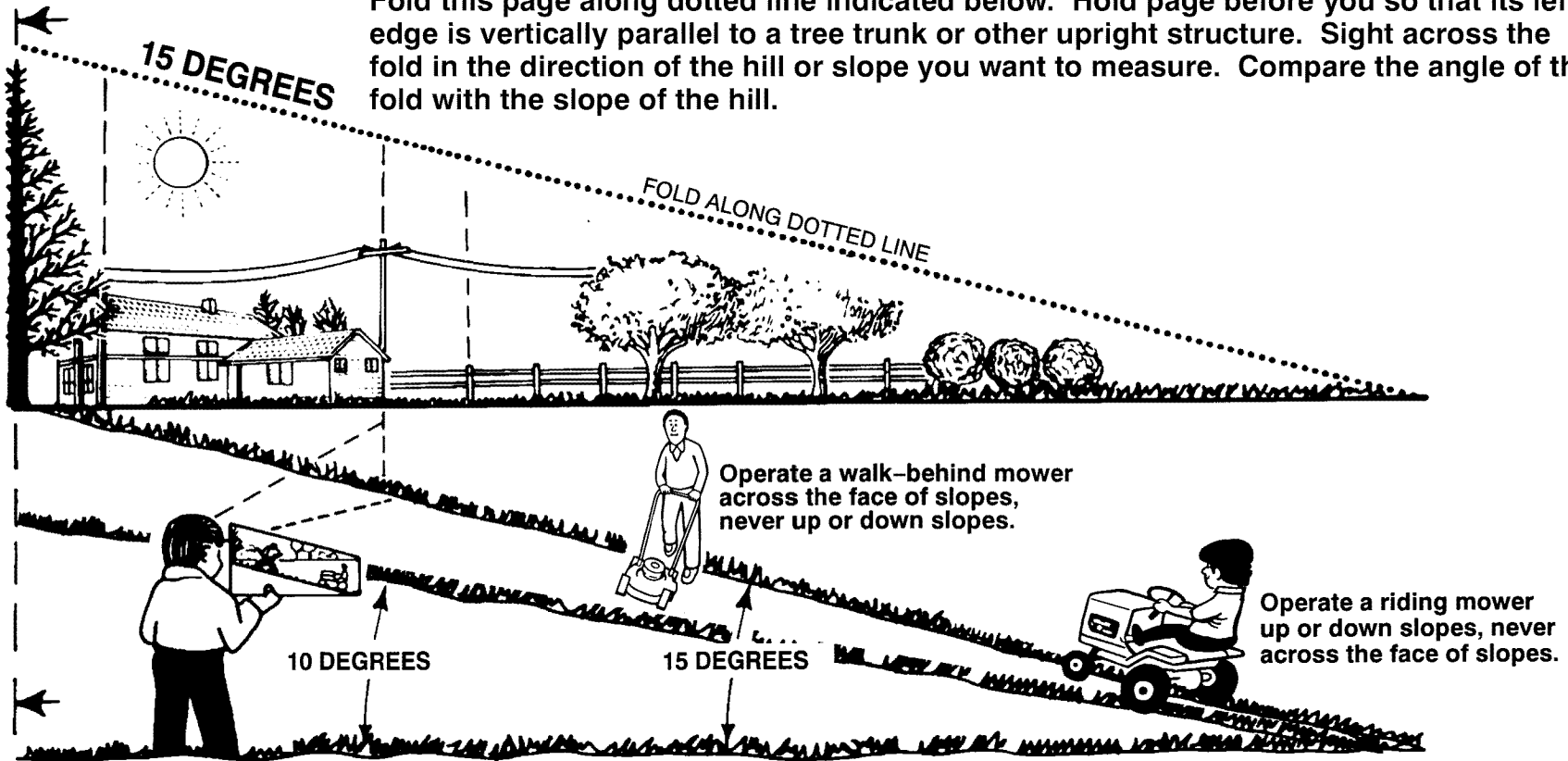
The displacement engines of Model Series 280000 is 465 cc.

This is a generic representation of the emission label typically found on a certified engine.



SLOPE GUIDE

Fold this page along dotted line indicated below. Hold page before you so that its left edge is vertically parallel to a tree trunk or other upright structure. Sight across the fold in the direction of the hill or slope you want to measure. Compare the angle of the fold with the slope of the hill.



On a riding mower to determine if a slope is safe to mow: (1) disengage the blade(s), (2) put the unit in reverse, and (3) try to back straight up the slope. If you can back up the slope, it is generally safe to mow. However, if you do not feel safe, or you are not completely sure, use this guide to determine the slope angle.



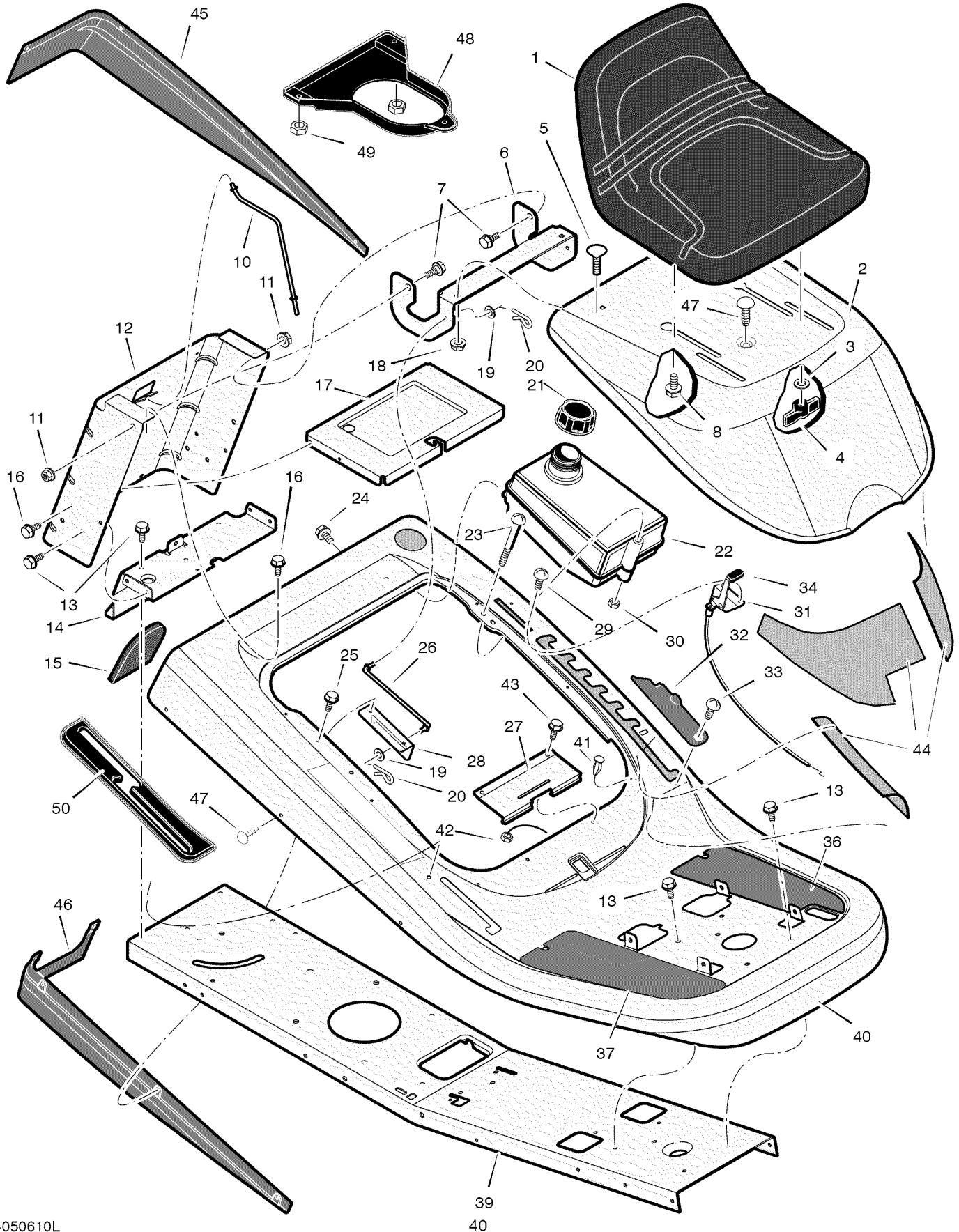
WARNING: To avoid possible serious injury, do not mow a slope that is greater than 15 degrees. If the riding mower is used with a pull-behind or rear-mounted attachment, do not operate the unit on a slope that is greater than 10 degrees.

.....
CUT HERE TO USE SLOPE GUIDE

NOTES

MODEL 536.270301

REPAIR PARTS CHASSIS & HOOD



MODEL 536.270301

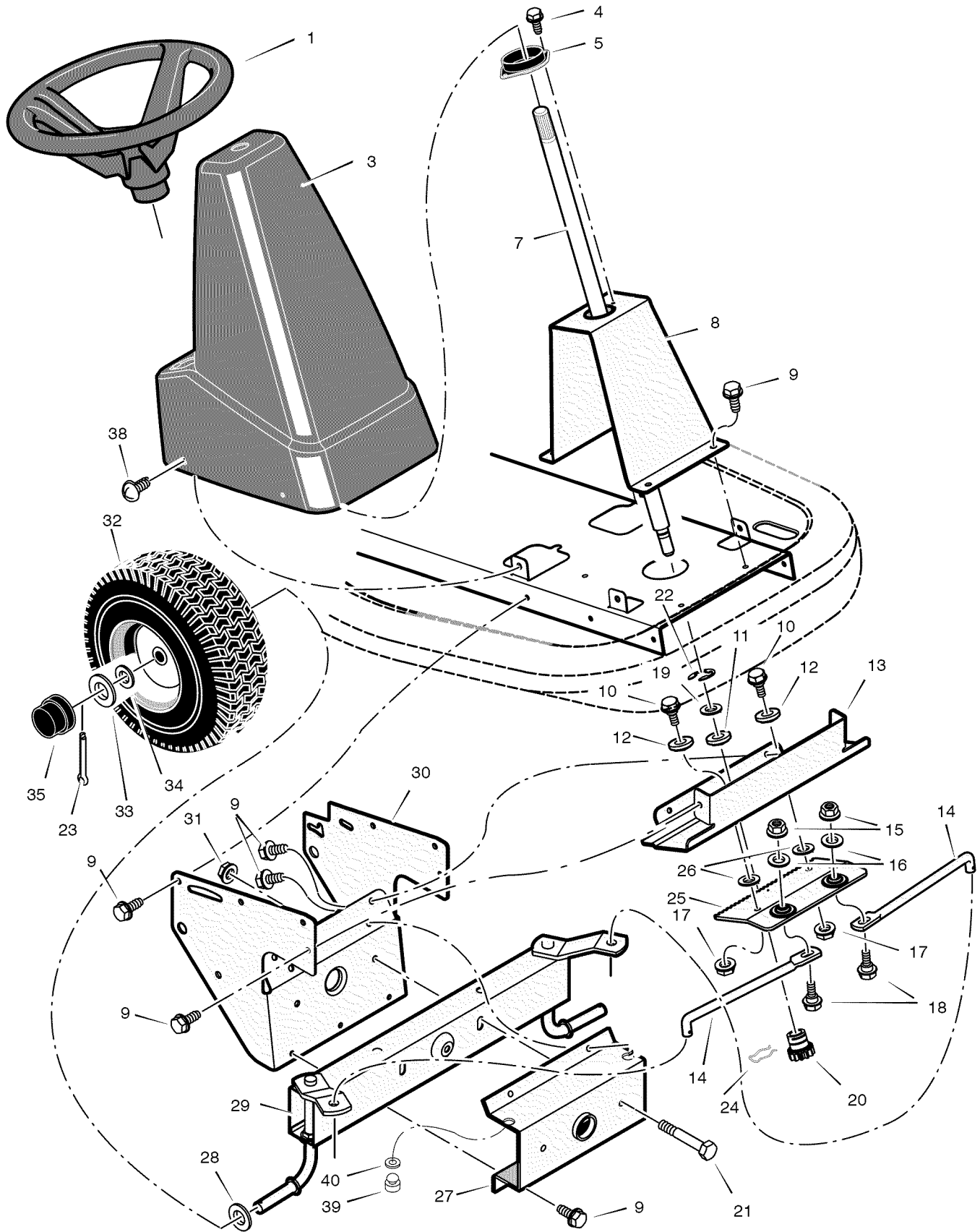
REPAIR PARTS CHASSIS & HOOD

Key No.	Part No.	Description	Key No.	Part No.	Description
1	690566	Seat	26	1401110	Rod, Hood Prop
2	1401379E201	Hood	27	1401282	Spring, Seat Deck
3	017x47	Washer	28	1401352E701	Bracket, Prop Rod
4	1001054	Bolt, Wing	29	26x201	Screw
5	002x16	Bolt, Carriage	30	15x116	Nut, NY-Lock
6	1401378E701	Bracket, Hinge	31	1401248	Control, Throttle
7	009x29	Bolt, Shoulder	32	1401084	Cover, Detent (Black)
8	009x56	Bolt, Shoulder	33	009x47	Bolt, Shoulder
10	1401113	Rod, Battery	36	1401145	Footmat, Left (Black)
11	015x84	Nut, Flange	37	1401144	Footmat, Right (Black)
12	1401025E701	Plate, Rear	39	1401298E701	Frame
13	26x249	Screw	40	1401316E201	Deck, Seat
14	1401050E701	Plate, Hitch	41	094744	Bumper
15	1401087	Cover	42	15x116	Nut *
16	26x263	Screw	43	0025x2	Screw
17	1401076E701	Tray, Battery	44	7601129	Kit, Foil Heat Shield
18	015x79	Nut, Flange	45	1401073	Trim, Left
19	017x37	Washer	46	1401072	Trim, Right
20	0031x6	Pin, Hair	47	0193x1	Fastener, Panel
21	092317	Cap, Fuel Tank *	48	1401380	Plenum
22	7601045	Tank, Fuel	49	15x123	Nut, Hex 5/16-18
23	06x111	Screw *	50	1401331	Cover, Long Black
24	26x253	Screw	--	F-050610L	Book, Instruction
25	26x263	Screw			

* These parts are included when ordering Key number 22.

MODEL 536.270301

REPAIR PARTS STEERING



MODEL 536.270301

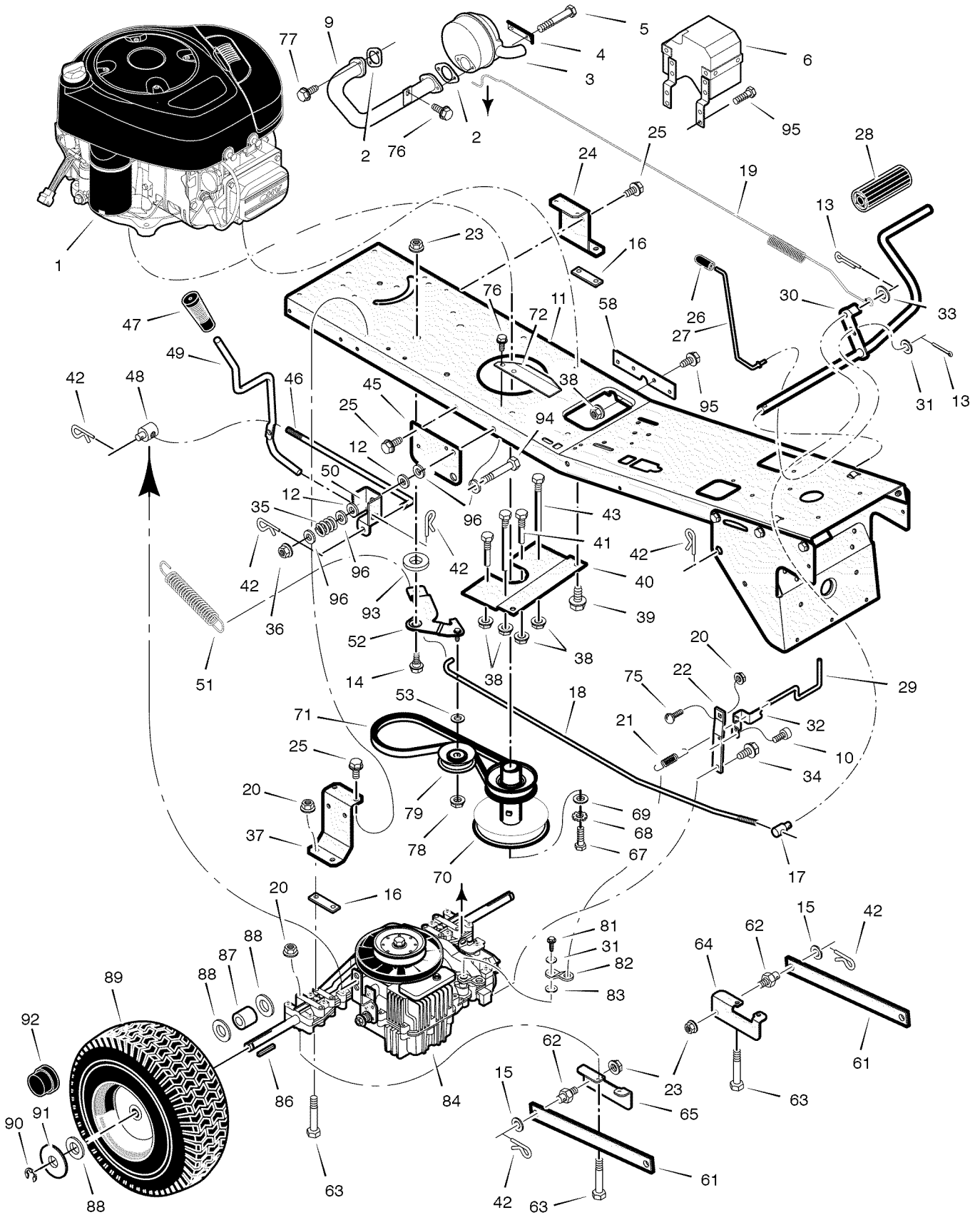
REPAIR PARTS STEERING

Key No.	Part No.	Description	Key No.	Part No.	Description
1	1001601	Wheel, Steering	21	01x146	Bolt, Hex
3	1401067	Console, High (Black)	22	011x23	E-Ring, Retainer
4	26x250	Screw	23	030x35	Pin, Cotter
5	1401090	Bearing, Upper Steering	24	094131	Retainer, Spring
7	1401100	Shaft, Steering	25	1401046E701	Rack, Steering
8	1401055E701	Support, Steering	26	17x201	Washer
9	26x249	Screw	27	1401376E701	Bracket, Axle Front
10	009x67	Bolt, Shoulder	28	17x157	Washer
11	1401098	Bearing, Lower Steering	29	1401250E701	Axle & Spindle Assembly
12	1401102	Roller	30	1401059E701	Bracket, Support
13	1401058E701	Plate, Gear Mounting	31	15x118	Nut, Flange
14	1401123E701	Link, Drag	32	1401381-601	Wheel, Front
15	015x84	Nut, Flange	33	17x197	Washer
16	17x104	Washer	34	17x157	Washer
17	015x88	Nut, Flange	35	094618	Cap, Hub
18	01x111	Bolt, Hex	38	26x270	Screw
19	17x118	Washer	39	1401377	Bumper, Rubber
20	1401099	Gear, Pinion	40	017x91	Washer

* When you order a tire, make sure to give the brand name of the tire so that the tread pattern on the tire will match.

MODEL 536.270301

REPAIR PARTS MOTION DRIVE



MODEL 536.270301

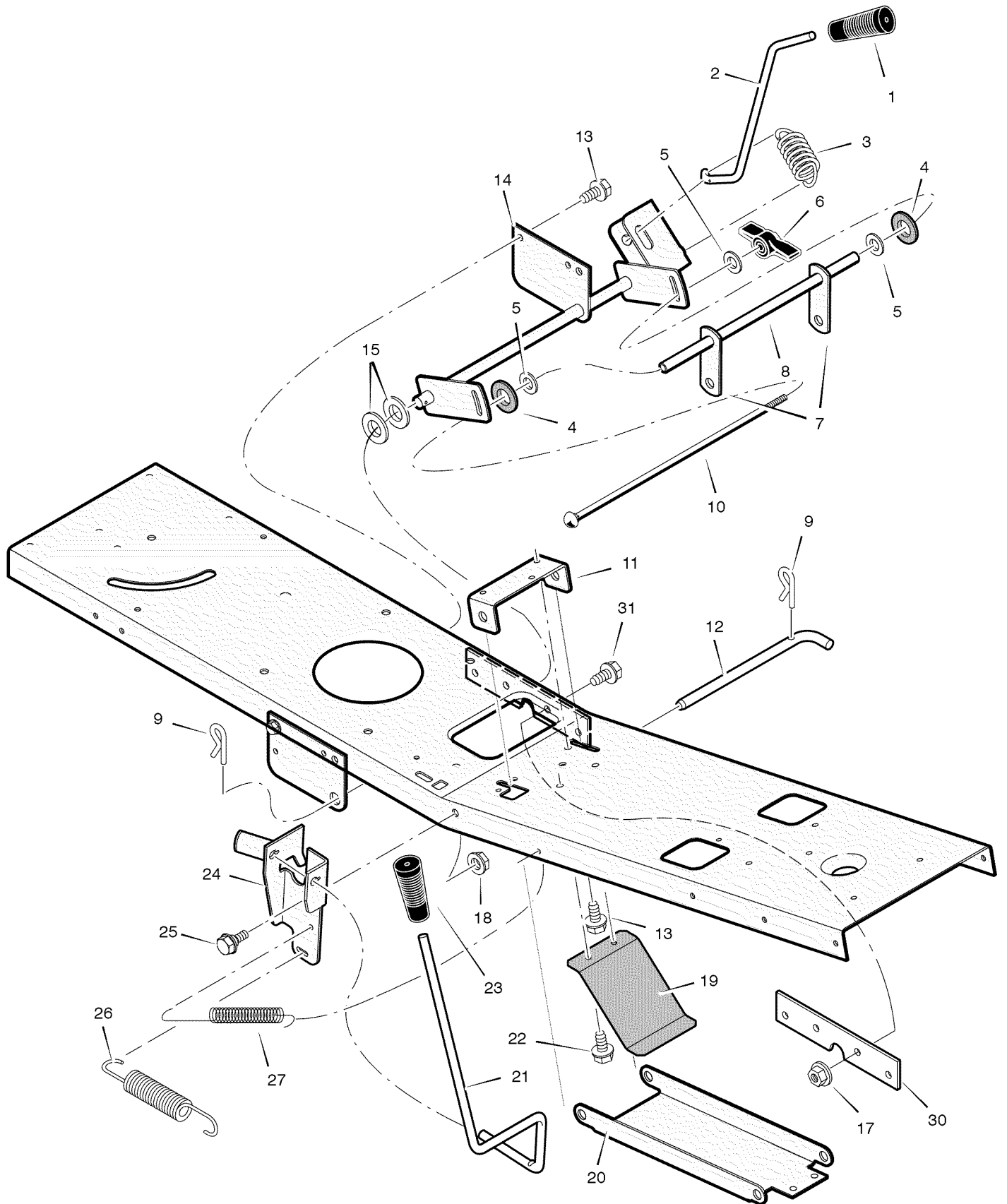
REPAIR PARTS MOTION DRIVE

Key No.	Part No.	Description	Key No.	Part No.	Description
1	-----	Engine	46	1401307 Z	Rod, Shift Link
	1401380	Engine, Plenum *	47	094497	Grip
2	091309	Gasket, Muffler	48	1401148	Nut, Adjusting
3	1401358	Muffler	49	1401383	Lever, Shift
4	092378	Lock, Muffler Screw	50	1401340E701	Bracket, Pivot
5	01x134	Bolt, Hex	51	165x147	Spring, Variator Drive
6	1401375	Shield, Heat	52	1401312	Arm, Idler
9	1401357	Tube, Exhaust	53	017x91	Washer
10	0025x2	Screw	58	1401260E701	Plate, Reinforcement
11	1401298E700	Frame	61	1401031E701	Arm, Rear
12	17x217	Washer	62	094067	Pin, Threaded
13	030x20	Pin, Cotter	63	01x155	Bolt, Hex
14	009x39	Bolt, Shoulder	64	1401301E701	Bracket, Left Rear Hanger
15	017x91	Washer	65	1401302E701	Bracket, Right Rear Hanger
16	1401334 Z	Plate, Transaxle	67	01x140	Bolt, Hex
17	094815	Nut, Adjusting	68	019x35	Lockwasher
18	1401305	Rod, Clutch Hydro	69	17x170	Washer
19	165x165	Spring, Brake	70	1401308	Pulley Stack
20	015x88	Nut	71	37x129	Belt, Drive
21	165x166	Spring, Roll Release	72	1401396 Z	Shield, Heat
22	1401300	Bracket, Torque Strap	75	002x53	Bolt, Carriage
23	015x84	Nut	76	26x263	Screw
24	1401268E701	Bracket, Left Transaxle	77	06x103	Screw
25	26x249	Screw	78	015x98	Locknut
26	1401337	Grip	79	1401309	Pulley, Idler
27	1401112	Rod, Parking Brake	81	06x105	Cap Screw
28	021544	Pedal	82	1401086 Z	Arm, Disconnect
29	1401304 Z	Rod, Roll Release	83	17x148	Washer
30	1401127E701	Rod, Clutch/Brake	84	-----	Transaxle
31	017x38	Washer	86	056534	Key, Square
32	1401303E701	Bracket, Roll Release	87	1401103 Z	Spacer, Rear Wheel
33	017x53	Washer	88	17x160	Washer
34	26x216	Screw	89	1401120	Wheel & Tire Assembly
35	164x39	Spring, Compression	--	-----	Tire (ONLY)
36	15x119	Nut	--	-----	Tube (ONLY)
37	1401042E701	Bracket, Right Transaxle	90	0011x3	E-Ring
38	015x79	Nut	91	17x195	Washer
39	0025x7	Screw	92	094618	Hub Cap
40	1401057E701	Plate, Belt Guide	93	17x174	Washer
41	1401105	Guide, Belt -Long	94	01x143	Bolt, Hex
42	0031x4	Pin, Hair	95	26x267	Screw
43	1401104	Guide, Belt -Short	96	17x104	Washer
45	1401032E701	Bracket, Lift Pivot			

* Not Illustrated

MODEL 536.270301

REPAIR PARTS MOWER HOUSING SUSPENSION



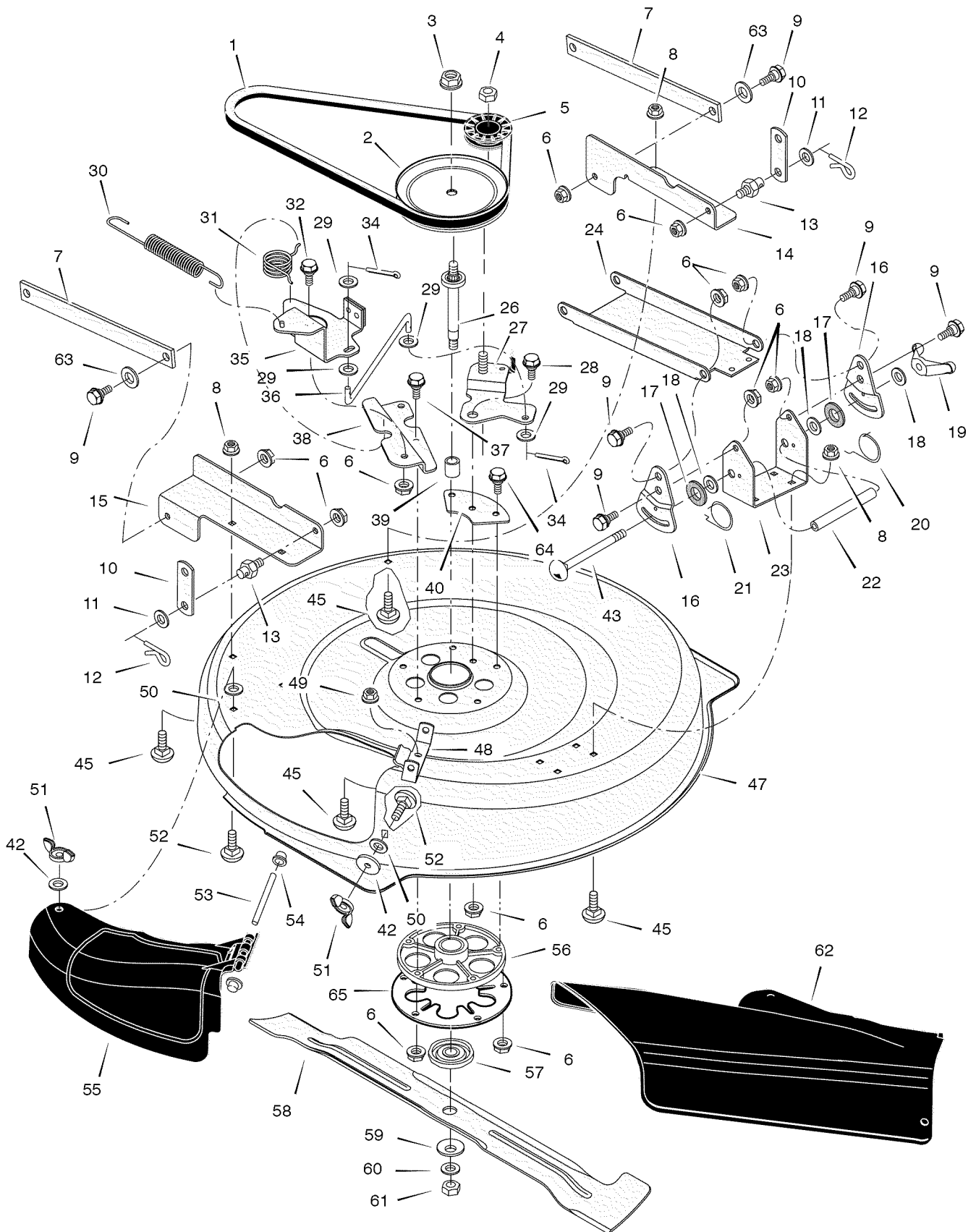
MODEL 536.270301

REPAIR PARTS MOWER HOUSING SUSPENSION

Key No.	Part No.	Description	Key No.	Part No.	Description
1	094497	Grip, Lift Lever	15	17x206	Washer
2	1401117	Lever, Lift	17	015x79	Nut, Flange
3	165x154	Spring, Extension	18	015x84	Nut, Flange
4	094137	Pad, Friction	19	1401147	Spring, Leaf
5	017x45	Washer	20	1401040E701	Hanger, Front
6	095004	Wingnut	21	1401116	Lever, PTO
7	1401033E701	Link, Lift	22	26x263	Screw
8	1401096	Tube, Spacer	23	094498	Grip, PTO
9	0031x4	Pin, Hair	24	1401199E701	Bracket, PTO
10	002x93	Bolt, Carriage	25	009x42	Bolt, Shoulder
11	1401030E701	Bracket, Front Hanger Pivot	26	165x157	Spring, Extension
12	1401118	Pin, Front Hanger	27	165x92	Spring, Extension
13	26x249	Screw	30	1401260E701	Plate, Reinforcement
14	1401129E701	Arm Assembly, Lifter	31	26x267	Screw

MODEL 536.270301

REPAIR PARTS MOWER HOUSING



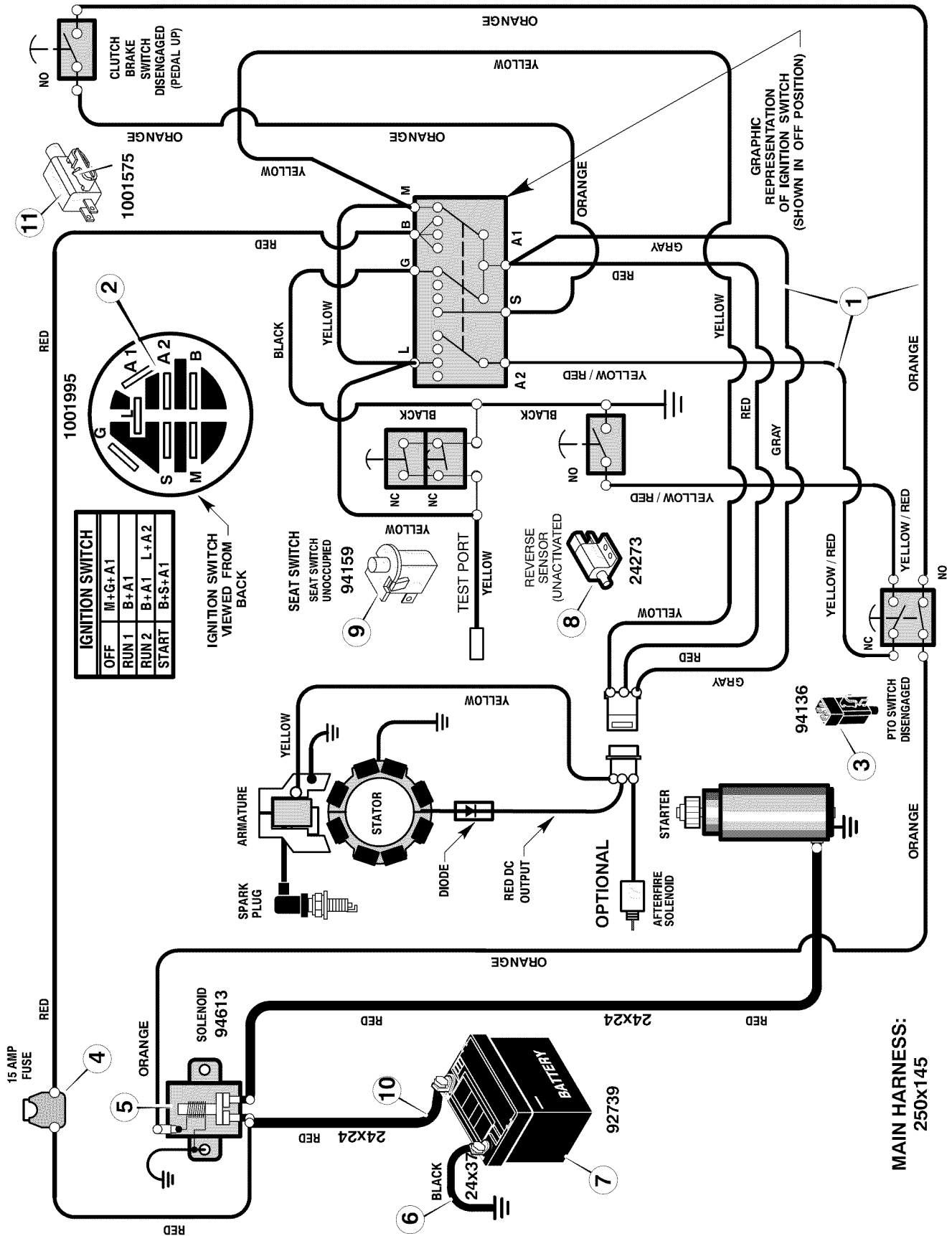
MODEL 536.270301

REPAIR PARTS MOWER HOUSING

Key No.	Part No.	Description	Key No.	Part No.	Description
1	37x111	Belt, Blade Drive	34	030x20	Pin, Cotter
2	1401092	Pulley, Input	35	1401185E701	Arm Assembly, Brake
3	15x140	Locknut	36	1401119	Link, Idler Arm
4	015x98	Nut, Flange	37	0025x7	Bolt
5	1401252	Pulley, Idler	38	1401052E701	Bracket, Brake Mounting
6	015x84	Nut, Flange	39	1401094	Spacer, Jackshaft
7	1401031E701	Arm, Rear	40	1401259 Z	Plate, Idler Mounting
8	015x79	Nut, Flange	42	019x45	Washer
9	009x58	Bolt, Shoulder	43	002x94	Bolt, Carriage
10	1401033E701	Link, Lift	45	002x53	Bolt, Carriage
11	17x102	Washer	47	1401236E701	Housing, Blade
12	0031x4	Pin, Hair	48	1401106E701	Hinge, Mulching Cover
13	094067	Pin, Threaded Shoulder	49	015x88	Nut, Flange
14	1401047E701	Bracket, Left Rear	50	028x76	Nut, Speed
15	1401296E701	Bracket, Right Rear	51	014x86	Wingnut
16	1401038E701	Plate, Adjustment	52	002x74	Bolt, Carriage
17	094137	Pad, Friction	53	091767 Z	Rod, Chute Deflector
18	017x45	Washer	54	028x23	Cap, Push
19	095004	Wingnut	55	1401080	Cover, Mulch
20	166x43	Spring, Left Torsion	56	094305	Mandrel Housing
21	166x42	Spring, Right Torsion	57	1001035	Adapter, Blade
22	1401095	Tube, Spacer	58	1401079E701	Blade
23	1401037E701	Bracket, Deck	59	17x166	Washer, Cup
24	1401040E701	Hanger, Front	60	17x165	Washer
26	1401065	Shaft, Splined	61	15x100	Nut, Blade Mount
27	1401258E701	Arm Assembly , Idler	62	1401081	Deflector, Chute
28	009x39	Bolt, Shoulder	63	002x74	Bolt, Carriage
29	017x47	Washer	64	001x84	Bolt
30	165x157	Spring, Extension	65	1001952	Plate, Jackshaft Support
31	166x46	Spring, Torsion	--	7601035	Complete Mower Deck Assy.
32	009x42	Bolt, Shoulder			

MODEL 536.270301

REPAIR PARTS ELECTRICAL SYSTEM



MODEL 536.270301

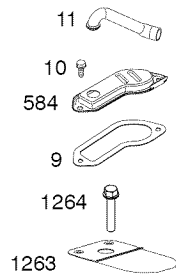
REPAIR PARTS ELECTRICAL SYSTEM

Key No.	Part No.	Description
2	250x145	Harness, Chassis Wire
2	1001995 327349	Switch, Ignition Key, Ignition
3	094136	Switch, Limit (PTO)
4	302031 407078	Fuse Holder, Fuse
5	1002004 26x229 15x116	Solenoid Screw, Mounting Locknut
6	024x37 26x229	Cable, Battery Ground Screw, Ground Cable
7	021075 690604 002x82 014x79	Battery Cover, Battery Terminal Bolt, Carriage Wingnut
8	024273 26x270	Switch, Select Reverse™ Screw, Mounting
9	094159	Switch, Seat Sensor
10	024x24	Cable
11	1001575	Switch, Clutch Brake

MODEL 536.270301

REPAIR PARTS DECALS

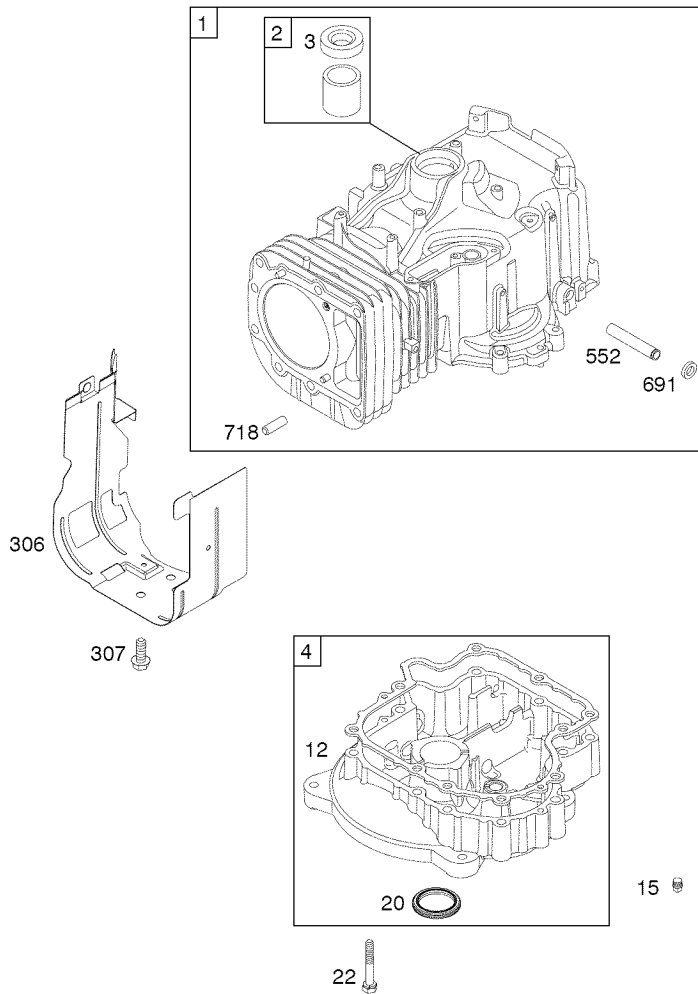
Key No.	Part No.	Description (Location)	Qty.
--	48x5212	Gas Gage (Dash -Left Side)	1
--	44x7197	DEKA (Battery)	1
--	44x7325	Warning (Seat Deck -Middle)	1
--	48x5208	1-5 Height Adjust (Seat Deck -Left Side)	1
--	48x746	NO STEP (Mower Deck - Left Side)	1
--	48x5211	Clutch / Brake (Footrest -Left Side)	1
--	48x5707	Cut Finger (Mower Deck -Right Side)	1
--	48x5915	Craftsman 13.5 (Hood -Right Side)	1
--	48x5916	Craftsman 13.5 (Hood -Left Side)	1
--	44x5214	Deck Level Position / ONLY (Seat Deck -Left Side)	1
--	48x5057	Warning Load Limit (Rear)	1
--	48x5182	Auto Disconnect	1
--	48x5213	Craftsman Logo (Seat Deck Front)	2
--	48x5209	Parking Brake Symbol (Console)	1
--	48x5210	Throttle Control (Console)	1
--	48x5205	Blade Engage / Disengage (Seat Deck -Right Side)	1
--	48x5486	Steering Wheel	1
--	48x5204	Starting Instructions	1
--	48x1019	13.5 HP I/C B&S (Engine)	1



1019 LABEL KIT

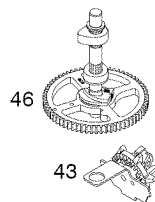
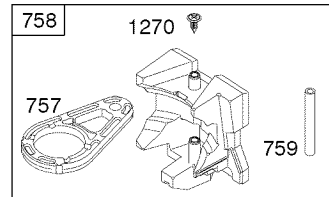
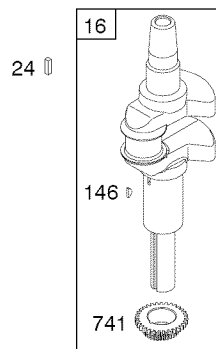
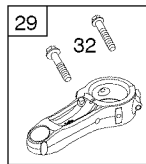
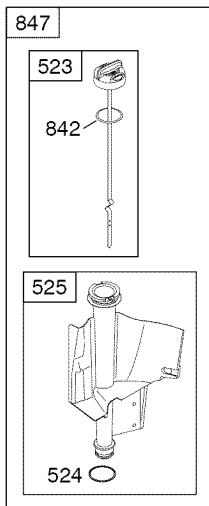
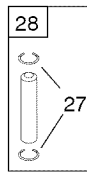
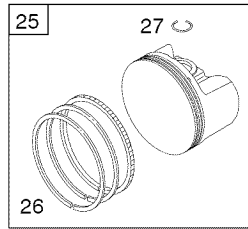
1058 OWNER'S MANUAL

1330 REPAIR MANUAL



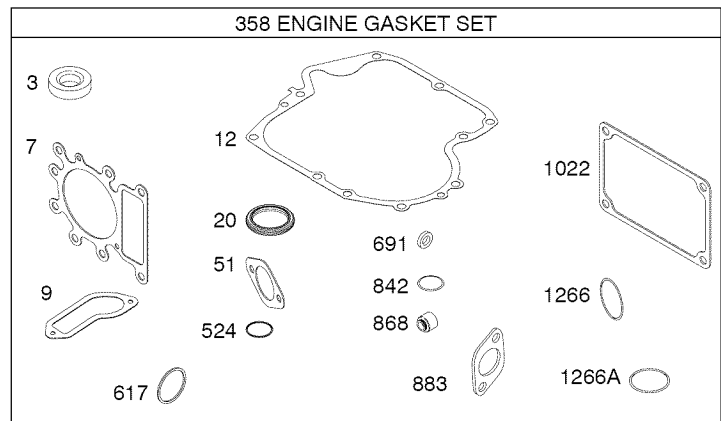
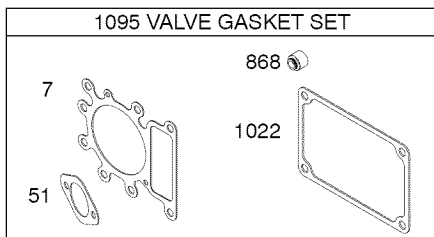
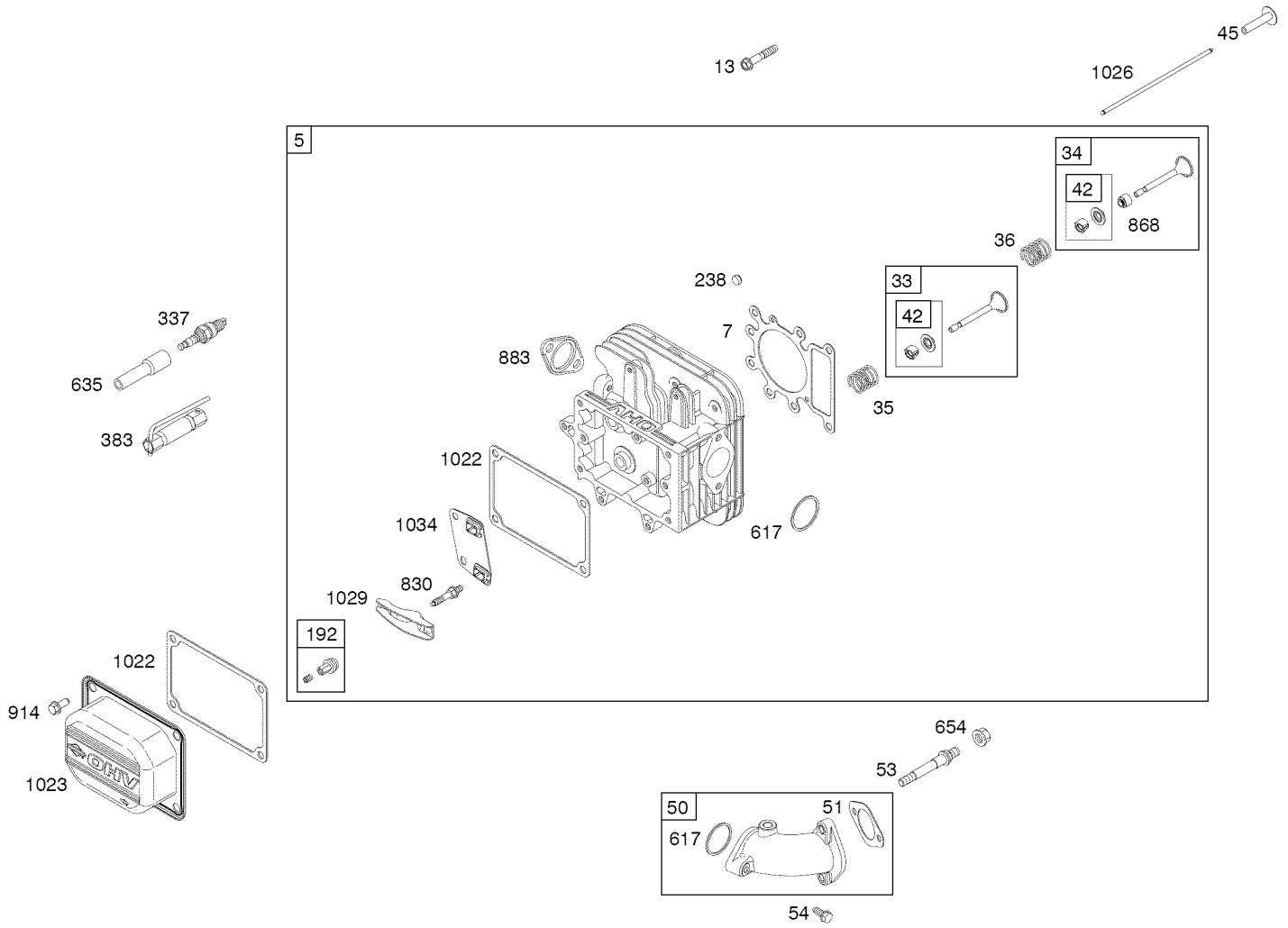
★ Included in Engine Gasket Set-Ref. No.358.
● Included in Carburetor Overhaul Kit-Ref. No. 121.

◆ Included in Carburetor Gasket Set-Ref. No. 977.
△ Included in Valve Gasket Set-Ref. No 1095.



★ Included in Engine Gasket Set-Ref. No.358.
 ● Included in Carburetor Overhaul Kit-Ref. No. 121.
 F-050610L

◆ Included in Carburetor Gasket Set-Ref. No. 977.
 △ Included in Valve Gasket Set-Ref. No 1095.

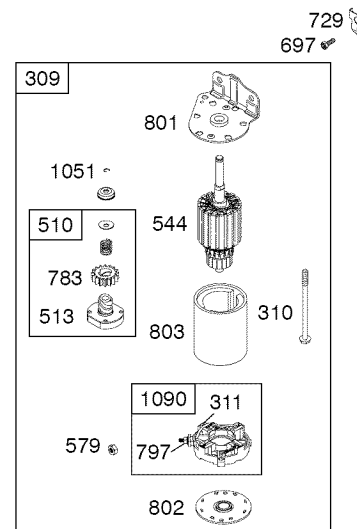
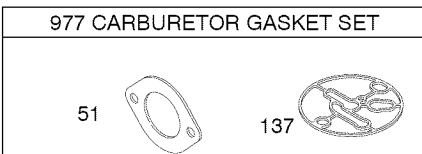
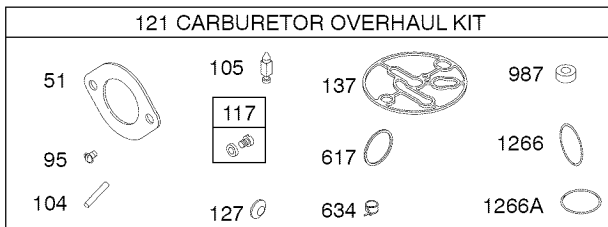
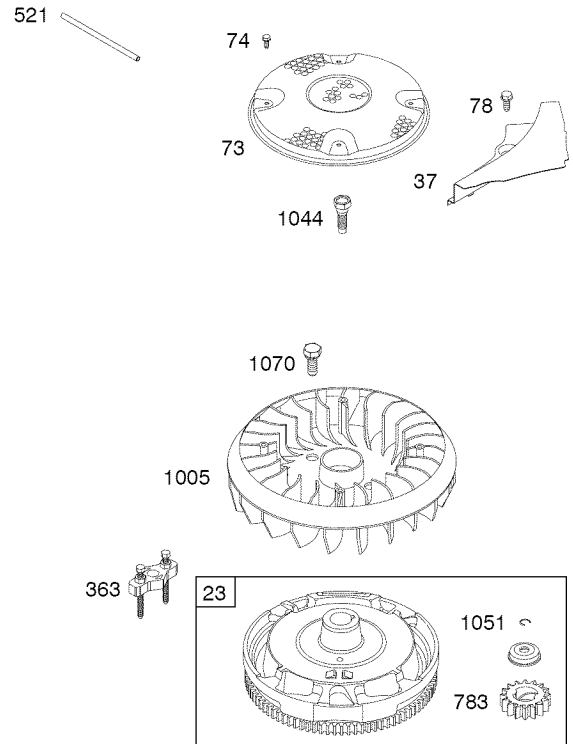
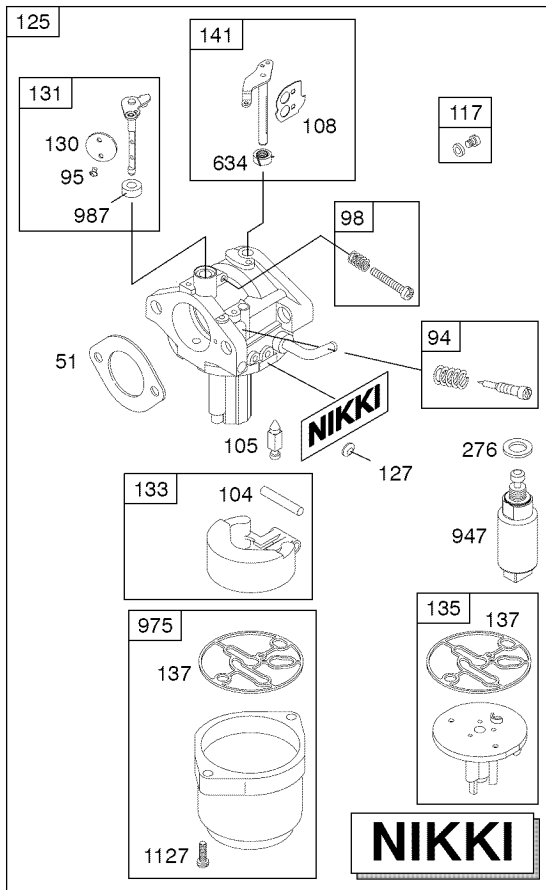


★ Included in Engine Gasket Set-Ref. No.358.
 ● Included in Carburetor Overhaul Kit-Ref. No. 121.
 F-050610L

◆ Included in Carburetor Gasket Set-Ref. No. 977.
 △ Included in Valve Gasket Set-Ref. No 1095.

MODEL 536.270301

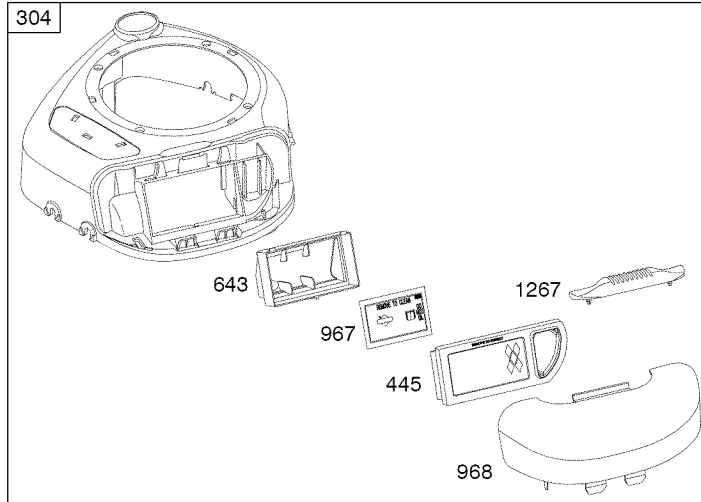
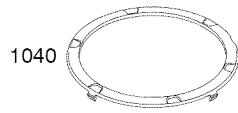
ENGINE 21B807-0326-E1



★ Included in Engine Gasket Set-Ref. No.358.
 ● Included in Carburetor Overhaul Kit-Ref. No. 121.
 F-050610L

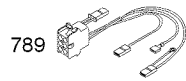
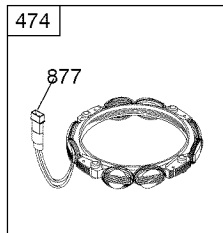
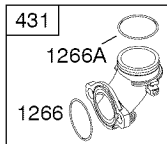
◆ Included in Carburetor Gasket Set-Ref. No. 977.
 △ Included in Valve Gasket Set-Ref. No 1095.

1036 EMISSION LABEL

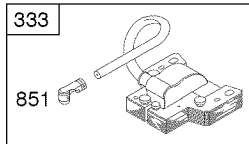


305A 

305 

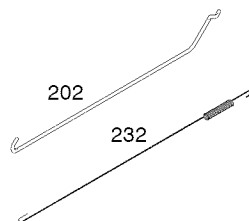
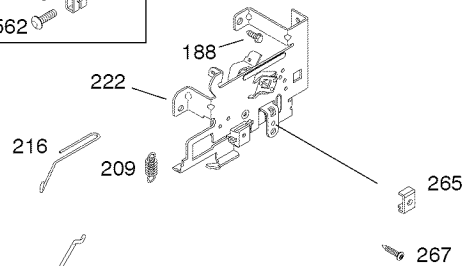
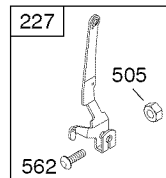
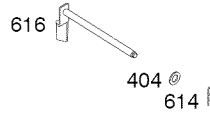


334 



1119 

878 



- ★ Included in Engine Gasket Set-Ref. No.358.
- Included in Carburetor Overhaul Kit-Ref. No. 121.

- ◆ Included in Carburetor Gasket Set-Ref. No. 977.
- △ Included in Valve Gasket Set-Ref. No 1095.

MODEL 536.270301

ENGINE 21B807-0326-E1

REF. NO.	PART NO.	DESCRIPTION	REF. NO.	PART NO.	DESCRIPTION	REF. NO.	PART NO.	DESCRIPTION
1	697377	Cylinder Assembly	37	697352	Guard-Flywheel	192	691986	Adjuster-Rocker Arm
2	399265	Kit-Bushing/Seal (Magneto Side)	42	499586	Keeper-Valve	202	691841	Link-Mechanical Governor
3	*391086S	Seal-Oil (Magneto Side)	43	691968	Slinger-Governor/Oil	209	690480	Spring-Governor (Red)
4	697106	Sump-Engine	45	690564	Tappet-Valve	216	691840	Link-Choke
5	697396	Head-Cylinder	46	790400	Camshaft	222	694042	Bracket-Control
7	*Δ273280	Gasket-Cylinder Head	50	697361	Manifold-Intake	227	691374	Lever-Governor Control
9	*697109	Gasket-Breather	51*Δ●◆692137		Gasket-Intake	232	691842	Spring-Governor Link
10	697157	Screw (Breather Assembly)	53	690227	Stud (Carburetor)	238	691843	Cap-Valve
11	697113	Tube-Breather	54	691148	Screw (Intake Manifold)	240	394358	Filter-Fuel (White, 75 Microns)
12	*697110	Gasket-Crankcase (.015" Thick)(Standard)	73	697133	Screen-Rotating	265	691024	Clamp-Casing
13	690360	Screw (Cylinder Head)	74	697897	Screw (Rotating Screen)	267	695134	Screw (Casing Clamp)
15	690946	Plug-Oil Drain (3/8" Standard)	78	691003	Screw (Flywheel Guard)	276	695410	Washer-Sealing
16	697390	Crankshaft	94	695425	Kit-Idle Mixture	304	699085	Housing-Blower (Red)
16	698382	Crankshaft	95	◆690718	Screw (Throttle Valve)	305	697102	Screw (Blower Housing)
20	*690947	Seal-Oil (PTO Side)	98	695408	Kit-Idle Speed	305A	697103	Screw (Blower Housing)
22	692125	Screw (Crankcase Cover/ Sump)	104	◆694918	Pin-Float Hinge	306	697359	Shield-Cylinder
23	698281	Flywheel	105	◆696136	Valve-Float Needle	307	691003	Screw (Cylinder Shield)
24	222698S	Key-Flywheel	108	698773	Valve-Choke	309	693551	Motor-Starter
25	698371	Piston Assembly (Standard)	117	◆699897	Jet-Main (Standard)(Nikki)	310	690323	Screw (Starter Motor)
		----- Note -----	118	699898	Jet-Main (High Altitude)(Nikki)	311	497608	Brush Set
		698394 Piston Assembly (.020" Oversize)	121	698787	Kit-Carburetor Overhaul (Nikki)	333	492341	Armature-Magneto
25	698394	Piston Assembly	125	699916	Carburetor (Nikki)(Gravity Feed)	334	691061	Screw (Magneto Armature)
26	698375	Ring Set (Standard)	127	◆690727	Plug-Welch	337	491055	Plug-Spark
27	698469	Lock-Piston Pin (Pink)	130	698774	Valve-Throttle	358	697151	Gasket Set-Engine
28	697099	Pin-Piston	131	698776	Kit-Throttle Shaft	363	19203	Puller-Flywheel
29	697364	Rod-Connecting (Standard)	133	694914	Float-Carburetor	383	89838S	Wrench-Spark Plug
		----- Note -----	135	698780	Tube-Fuel Transfer	404	691691	Washer (Governor Crank)
		697262 Rod-Connecting (.020" Undersize)	137	◆◆698781	Gasket-Float Bowl	431	697122	Elbow-Intake
32	692852	Screw (Connecting Rod)	141	698778	Kit-Choke Shaft (Nikki)	445	698413	Filter-Air Cleaner Cartridge (Non Washable)
33	695760	Valve-Exhaust	146	691639	Key-Timing	474	696459	Alternator (Dual Circuit)
34	695761	Valve-Intake	187	699331	Line-Fuel (Formed)(Cut To Required Length) Used on Type No(s). 0326.	505	691251	Nut (Governor Control Lever)
35	691279	Spring-Valve (Intake)	188	691693	Screw (Control Bracket)			
36	691279	Spring-Valve (Exhaust)						

* Included in Engine Gasket Set-Ref. No.358.
● Included in Carburetor Overhaul Kit-Ref. No. 121.

◆ Included in Carburetor Gasket Set-Ref. No. 977.
Δ Included in Valve Gasket Set-Ref. No 1095.

MODEL 536.270301

ENGINE 21B807-0326-E1

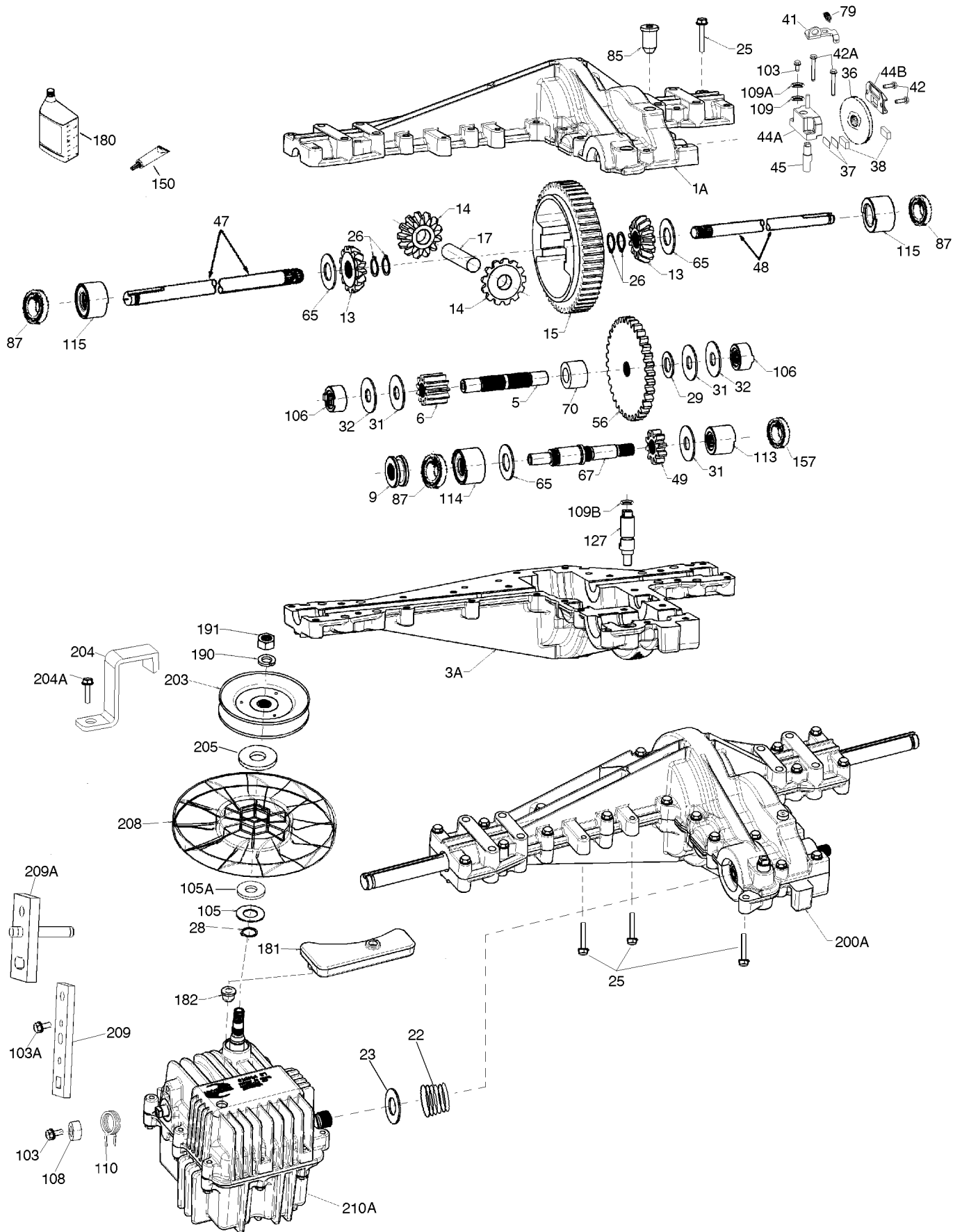
REF. NO.	PART NO.	DESCRIPTION	REF. NO.	PART NO.	DESCRIPTION	REF. NO.	PART NO.	DESCRIPTION
510	693699	Drive-Starter	797	693167	Nut (Brush Retainer)	1029	691751	Arm-Rocker
513	692024	Clutch-Drive	801	691283	Cap-Drive	1034	690822	Guide-Push Rod
521	690581	Shield-Cable	802	691286	Cap-End	1036	790465	Label-Emissions
523	699908	Dipstick	803	693757	Housing-Starter	1040	698368	Plate-Trim (Exhaust)
524	★691032	Seal-Dipstick Tube	830	691095	Stud-Rocker Arm	1044	698139	Screw (Flywheel)
525	697184	Tube-Dipstick	842	★691031	Seal-O Ring (Dipstick Tube)	1051	691265	Ring-Retaining
544	692034	Armature-Starter	847	790442	Dipstick/Tube Assembly	1058	275935	Operator's Manual
552	697144	Bushing-Governor Crank	851	692424	Terminal-Spark Plug	1070	690372	Screw (Flywheel Fan)
562	691119	Bolt (Governor Control Lever)	868	★△690968	Seal-Valve	1090	691293	Retainer-Brush
579	691029	Nut (Starter Cable)	877	393456	Wire/Connector-Alterna- tor (Dual Circuit)	1091	691333	Cap-Limiter
584	697112	Cover-Breather Passage	878	691237	Harness-Alternator	1095	691581	Gasket Set-Valve
601	95162	Clamp-Hose (Zinc Plate)(Spring Wire)	883	★692236	Gasket-Exhaust	1119	691183	Screw (Alternator)
614	691620	Pin-Cotter	914	691108	Screw (Rocker Cover)	1127	695407	Screw (Float Bowl)(Mount Float Bowl To Carburetor Body)
616	692012	Crank-Governor	947	699915	Solenoid-Fuel	1263	697124	Reed-Breather
617	★●692138	Seal-O Ring (Intake Manifold)	967	697292	Filter-Pre Cleaner	1264	697104	Screw (Breather Reed)
634	●698779	Spring/Seal Assembly	968	697420	Cover-Air Cleaner (Black)	1266	★●691917	Seal-O Ring (Intake Elbow)
635	691909	Boot-Spark Plug	975	699502	Bowl-Float (Nikki)	1266A	★●697123	Seal-O Ring (Intake Elbow)
643	697155	Retainer-Air Filter	977	790032	Gasket Set-Carburetor (Nikki)	1267	697419	Latch-Blower Housing (Black)
654	690958	Nut (Carburetor)	987	●698777	Seal-Throttle Shaft	1270	697156	Plug-AVS Counterweight
691	★692407	Seal-Governor Shaft	1005	699044	Fan-Flywheel	1330	272147	Repair Manual
697	690372	Screw (Drive Cap)	1019	699196	Kit-Label			
718	690959	Pin-Locating	1022	★△272475	Gasket-Rocker Cover			
729	691224	Clip-Wire (Starter Motor)	1023	692492	Cover-Rocker			
741	697128	Gear-Timing	1026	697395	Rod-Push (Exhaust)			
757	697607	Link-Counterweight			----- Note -----			
758	697391	Counterweight			697394 Rod-Push (Intake)			
759	697392	Pin-Counterweight						
783	693713	Gear-Pinion						
789	698329	Harness-Wiring (6 Pin Customer Conversion)						

★ Included in Engine Gasket Set-Ref. No.358.
● Included in Carburetor Overhaul Kit-Ref. No. 121.

◆ Included in Carburetor Gasket Set-Ref. No. 977.
△ Included in Valve Gasket Set-Ref. No 1095.

MODEL 536.270301

PEERLESS HYDRO 2000-2000-022



MODEL 536.270301**PEERLESS HYDRO 2000-2000-022**

Key No.	Part No.	Description	Key No.	Part No.	Description
1A	772152A	Cover RH (Mach)	85	792154	Oil Fill Plug
3A	770136	Case RH (Cast)	87	788088A	Oil Seal .750
5	776441	Counter Shaft	103	792193	Screw 1/4-28 x .490
6	778263	Spur Gear 11T	103A	792205	Screw 1/4-28 x .406
9	786197	Neutral Sleeve .572L	105	780096	Washer .625ID .057W
13	778368	Bevel Gear 13T (Incl. 14)	105A	780153	Washer .627ID .140W
14	778368	Bevel Gear 13T (Incl. 13)	106	786162	Sleeve & Bearing Assy
15	778373	Ring Gear 54T	108	786202	Spacer .510 ID
17	786139	Drive Pin	109	788069	Square Cut O'Ring
22	792194	Spring	109A	792145	Pushnut 1/2"
23	792195	Washer .750ID .032T	109B	788104	O-Ring .364ID
25	792073A	Screw 1/4-20 x 1.25	110	798052	Neutral Return Spring
26	792125	Retaining Ring	113	786199	Sleeve Assembly (Incl. 157)
28	792035	Retaining Ring	114	786200	Sleeve Assembly (Incl. 87)
29	780065	Washer .627ID .091W	115	786198	Sleeve Assembly (Incl. 87)
31	780189	Washer .563ID .062W	127	784385	Shift Lever Assembly (Incl. 109B)
36	790071	Brake Disk	150	788093A	Liquid Gasket RTV Silicon
37	790103	Brake Pad Plate	157	788102	Oil Seal .5625ID
38	799021	Brake Pad	180	730229B	Gear Oil 80W90
41	790101	Brake Lever	181	798064	Overflow Bottle
42	792202	Screw 1/4-20 x .750	182	788103	Grommet
42A	792203	Screw 1/4-20 x 1.750	190	792150	Washer .443ID .109W
44A	790100	Inside Brake (Mach)	191	792151	Nut 7/16-20
44B	790099	Outside Brake	200A	794812	Differential (Gear Reduct. Drive)
45	790101	Actuator Rod	203	798065	Pulley & Hub Assembly
47	775120	Axle 17.219"	204	798057	Belt Keeper
48	778121	Axle 12.062"	204A	792067	Screw 5/16-18 Thrd Forming
49	778311	Spur Gear 10T (steel)	205	792213	Washer 1.28ID .140W
56	778310	Spur Gear 34T (steel)	208	798040	Fan
65	780001	Washer .750ID .56W	209	798070	Control Lever
67	776440	Brake Shaft	209A	798051	Neutral Lever
70	786196	Spacer .625	210A	794818	Hydro Module RH (Foot Control)
79	792201	Spring			

INDEX

A

Adjustments
Clutch, 32
Mower Housing, Level, 27
Air Screen, 25
Attachments, 11
Automatic Drive Disconnect,
Operation, 9 , 14

B

Battery
Charge, 23
Check, 8
Clean, 23
Install, 8
Removal, 23
Storage, 34
Belt
Drive Belt, Adjust, 32
Motion Drive
Adjust, 32
Replace, 30
Mower Drive, Replace, 31
Blade
Inspect, 22
Remove And Install, 22
Sharpen, 22

C

Clutch
Adjust, 32
Check, 32
Clutch / Brake Pedal, Location, 10
Controls, Location, 10
Cutting Height
Adjust, 27
Change, 13

D

Drive Belt, Adjust, 32

E

Electrical Safety System, 11
Engine
Cooling System, 25
Fuel, 9 , 18
Lubrication, 25
Muffler, 25
Oil, 9 , 18 , 25
Preparation, 9
Spark Arrester, 9 , 25
Starting, 18
Storage, 34
Throttle Control, 12

F

Filter, Air, 26
Fuel, Type, 18
Fuse, 34

I

Ignition Key Switch, Operation, 11
Ignition Switch, Location, 10

L

Lift Lever
Location, 10
Operation, 13
Lubrication
Engine, 25
Mower, 24

M

Maintenance
Battery
Charge, 23
Clean, 23
Belt
Motion Drive, 30
Mower Drive, 31
Blade, 22
Clutch, 32
Filter, Air, 26
Fuse, 34
Install, Wheels, 33
Lubrication, 24
Mower Housing
Clean, 34
Install, 29
Level, 27
Remove, 29
Muffler, 25
Spark Plug, 26
Maintenance Chart, 21
Motion Drive Belt
Adjust, 32
Replace, 30
Mower Drive Belt, Replace, 31
Mower Housing
Clean, 34
Cutting Height, 13
Install, 29
Level Adjustment, 27
Operation, 19
Remove, 29
Muffler, 25
Spark Arrester, 25

Mulcher, Operation, 20
Mulcher Cover, Remove, 17

O

Oil
Change, 25
Check, 18 , 25
Type, 18
Operation
Attachments, 11
Automatic Drive Disconnect, 9 , 14
Clutch / Brake Pedal, 10
Ignition Key Switch, 11
Ignition Switch, 10
Lift Lever, 10 , 13
Location Of Controls, 10
Mower Housing, 19
Mowing And Bagging, 20
Mulching, 20
Operate On Hills, 19
Parking Brake, 10 , 12
Speed Control Lever, 10
Speed Control Lever, 18
Start The Engine, 18
Stop The Unit, 12
Throttle Control, 10 , 12
Transport, 16

P

Parking Brake
Location, 10
Operation, 12

S

Safety Rules, American National
Standard Institute, 4–5
Side Discharge Attachment,
Install, 17
Slope Guide, 38
Spark Arrester, 9 , 25
Spark Plug, 26
Speed Control Lever
Location, 10
Operation, 15
Speed Control Leverl, Adjust, 32

T

Throttle Control
Location, 10
Operation, 12
Tire Pressure, 9 , 21
Trouble Shooting Chart, 35

W

Warranty, 2
Wheel Alignment, 34

Tractor cortacésped con motor situado detrás del asiento

Modelo 536.270301

PRECAUCIÓN: Antes de usar este producto, lea este manual y siga todas las reglas de seguridad e instrucciones de operación.

CONTENIDO

PIEZAS	40	OPERACIÓN	73
GARANTÍA	63	MANTENIMIENTO	84
ESPECIFICACIONES DEL PRODUCTO	64	SERVICIO Y AJUSTE	90
REGLAS DE SEGURIDAD	66	TABLA DE LOCALIZACIÓN DE AVERÍAS	98
PREPARACIÓN	70	GUÍA DE INCLINACIÓN	102

GARANTÍA LIMITADA EN CRAFTSMAN TRACTORES

Este Tractor Craftsman está garantizado por dos (2) años a partir de la fecha de compra, siempre y cuando se le haya mantenido lubricado y afinado de acuerdo a las instrucciones especificadas en el Manual del Usuario. Sears reparará o reemplazará, sin costo alguno, cualquier parte del equipo que resulte defectuosa, ya sea en material o mano de obra, de acuerdo a las especificaciones de cobertura listadas a continuación.

Por dos años completos, Sears proveerá mano de obra sin costo para estas partes garantizadas. Durante los primeros 30 días después de la compra, contará con servicio a domicilio gratuito para las condiciones cubiertas por esta garantía. (Favor de leer las exclusiones a continuación).

Para su conveniencia, el servicio de garantía A DOMICILIO estará disponible todavía después de los primeros 30 días de la fecha de compra, pero se aplicará a este servicio un cargo por el viaje. Este cargo no será aplicado si lleva el Craftsman producto a un Centro de Servicio Sears autorizado. Para localizar el Centro de Servicio Sears autorizado, más cercano a usted, favor de llamar al 1-800-4-MY-HOME®. Esta garantía aplica solamente mientras el producto se encuentra dentro de Estados Unidos.

Esta garantía no cubre:

- Partes de duración limitada que se desgastan con el uso normal, incluyendo pero sin limitarse a cuchillas, bujías, filtros de aire, correas y filtros de aceite.
- Servicio de Mantenimiento Estándar, cambios de aceites o afinamientos.
- Reemplazo o reparación de neumáticos debido a pinchazos por objetos externos, tales como clavos, espinas, tocones o vidrio.
- Reparaciones necesarias a causa de abuso por parte del operador, incluyendo pero sin limitarse a, daños debidos al remolque de objetos que sobrepasan la capacidad del tractor, golpes de la unidad contra objetos que doblen el chasis o el cigüeñal, o daño debido a la velocidad excesiva a que se somete al motor.
- Reparaciones necesarias a causa de negligencia por parte del operador, incluyendo pero sin limitarse a, daño eléctrico y mecánico debidos al almacenamiento inadecuado de la unidad, daño por no usar el grado correcto de aceite de motor y en la cantidad recomendada, daño por no mantener la plataforma limpia de basuras inflamables, o por no mantener el equipo de acuerdo a las instrucciones que aparecen en el manual del propietario.
- Limpieza o reparaciones al motor (sistema de combustible) por usar combustible contaminado u oxidado (viejo). Generalmente, el combustible debe usarse dentro de 30 días de la fecha de compra.
- Deterioro y desgaste normal del acabado exterior, o reemplazo de las etiquetas del producto.
- Tractor que sea utilizado con fines comerciales o de alquiler.

GARANTÍA LIMITADA PARA BATERÍA

Si en el plazo de noventa (90) días a partir de la fecha de compra, cualquier batería que esté incluida con este tractor, resultara defectuosa sea en el material o mano de obra y, nuestras pruebas determinen que la batería no mantiene la carga, Sears reemplazará la batería sin costo para usted. Durante los primeros 30 días a partir de la fecha de compra, la batería podrá ser reemplazada a domicilio, sin cargo para usted. Para su conveniencia, el servicio de garantía A DOMICILIO estará disponible todavía después de los primeros 30 de la fecha de compra, pero se aplicará a este servicio un cargo por el viaje. Este cargo no será aplicado si lleva el producto a un Centro de Servicio Sears autorizado. Para localizar el Centro de Servicio Sears autorizado, más cercano a usted, favor de llamar al 1-800-4-MY-HOME®. Esta garantía aplica solamente mientras el producto se encuentre dentro de Estados Unidos. Esta garantía le otorga derechos legales específicos, además, usted puede tener otros derechos legales que varían según el estado donde resida.

Sears, Roebuck and Co., Dept. 817WA, Hoffman Estates, IL. 60179.

Felicidades por su compra de este Tractor cortacésped con motor situado detrás del asiento de Craftsman. Su unidad ha sido diseñada y fabricada para darle los mejores resultados en lo que se refiere a confiabilidad y desempeño.

Si encuentra algún problema en la unidad que usted no pueda solucionar, consulte con el Centro de Servicio Sears más cercano a usted. Nuestros técnicos capacitados disponen de las herramientas necesarias para reparar o dar servicio a esta unidad.

Favor de leer y guardar este manual. Las instrucciones le permitirán ensamblar y mantener su unidad de la manera apropiada. Siga siempre las "Reglas de seguridad".

ESPECIFICACIONES DEL PRODUCTO

- Motor** 13,5 HP.
- Diámetro interior** 3,44 pulg. (87,31 mm)
- Carrera** 3,06 pulg. (77,78 mm)
- Cilindrada** 28,42 pulg. cúb. (466 cc)
- Entrehierro de inducido** 0,010-0,014 pulg. (0,25-0,36 mm)
- Juego de válvula con los resortes de válvula instalados y el pistón a 0,25 pulg. (6 mm) más allá del punto muerto superior (verificar con un motor frío)**
- Admisión** 0,003-0,005 pulg. (0,08-0,13 mm)
- Escape** 0,005-0,007 pulg. (0,13-0,18 mm)
- Sistema de Carga** 3 amperios a 3600 rpm
- Tamaño del Tanque de Combustible** 1,1 galón
- Tipo de Combustible** Regular, sin plomo
- Capacidad de Aceite** 48 onzas (3 pintas)
- Tipo de Aceite** Arriba de 32 grados SAE 30
..... Debajo de 32 grados SAE 5W30
- Bujía (Separación 0,030")** . Champion RJ4C
- Presión de Aire de Neumáticos** . Delantera 22 psi (vea el costado del neumático)
..... del neumático)
- Presión de Aire de Neumáticos** . Trasera 14 psi (vea el costado del neumático)
..... del neumático)
- Sistema de propulsión** Hidrostático
- Velocidad de Vehículo** 5,0 mph de avance
..... 2,5 mph de marcha atrás
- Asiento con Inclinación** ... Acceso al motor y a la batería.
- Cárter de la Cortadora** Suspensión no restringida, una cuchilla.
- Altura de Corte** 6 posiciones de 1½ a 4 pulgadas.
- Par de Torsión de Tuerca de Cuchilla** 30 pies-libra (ft-lbs)

Clasificación de potencia: La clasificación de potencia para un modelo de motor en particular se desarrolla inicialmente comenzando con el código J1940 de SAE (Sociedad de Ingenieros Automotrices) (Procedimiento de Clasificación de Potencia y Torsión de Motores Pequeños) (Revisión 2002-05). Dado el amplio conjunto de productos en los cuales son instalados nuestros motores, y la variedad de emisiones ambientales aplicables al operar el equipo, puede que el motor que usted haya comprado no desarrolle la potencia nominal cuando sea usado en una parte del equipo acoplado (potencia real "en el sitio"). Esta diferencia se debe a una variedad de factores incluyendo, pero no limitándose a, lo siguiente: diferencias en altitud, temperatura, presión

F-050610L

barométrica, humedad, combustible, lubricación del motor, máxima velocidad regulada del motor, el motor particular a la variabilidad del motor, diseño de la parte en particular del equipo acoplado, la manera en la cual es operado el motor, el despegue del motor para reducir la fricción y para limpiar las cámaras de combustión, los ajustes a las válvulas y al carburador, y otra variedad de factores. Esta clasificación de potencia puede también ser ajustada basándose en comparaciones a otros motores semejantes utilizados en aplicaciones similares, y por lo tanto no se igualarán necesariamente los valores derivados usando los códigos anteriores.

NOTA: Es probable que la potencia continua sea menor debido a limitaciones de operación y a factores ambientales.

Tractor cortacésped con motor situado detrás del asiento

Anote en los espacios correspondientes, el número de serie y la fecha de compra de la unidad.

Los números de modelo y serie se encuentran en la etiqueta fijada a la unidad.

Número de modelo: 536.270301

Número de serie: _____

Fecha de compra: _____

Guarde esta información para referencia futura.

ACUERDO DE PROTECCIÓN PARA REPARACIONES

Existe un Acuerdo de Protección para Reparaciones para esta unidad. Para obtener más información, consulte en la tienda Sears más cercana a usted.

ADVERTENCIA

Los gases de escape del motor, así como varios de sus constituyentes, y algunos componentes de este vehículo contienen o emiten sustancias químicas reconocidas por el Estado de California como carcinógenas, también pueden producir defectos congénitos u otros daños al sistema reproductivo.

Los bornes, terminales y accesorios relacionados con la batería contienen plomo y compuestos del plomo, sustancias químicas que el Estado de California reconoce como carcinógenas, además estas sustancias pueden producir daños congénitos a los bebés u otros daños al sistema reproductivo humano. DEBE LAVARSE LAS MANOS DESPUÉS DE MANIPULAR ESTOS COMPONENTES.

NOTA: Esta unidad está equipada con un motor de combustión interna y no debe ser utilizada sobre o cerca de terrenos no cultivados cubiertos de bosque, maleza o césped a menos que el sistema de escape del motor esté equipado con un parachispas que cumpla con las leyes locales o estatales aplicables (si existen). Si se utiliza un parachispas, el operador debe mantenerlo en buenas condiciones de funcionamiento.

En el estado de California, estas condiciones son requeridas por la ley (Sección 4442 del Código de Recursos Públicos de California). Otros estados pueden tener leyes semejantes. Las leyes federales son aplicables en terrenos federales. Vaya a un Centro de Servicio Sears para obtener un parachispas para el tubo de escape. En algunos lugares, las leyes locales requieren el uso de una

bujía de resistencia para controlar las señales de encendido. Consulte en un Centro de Servicio Sears para conseguir la bujía de resistencia para el motor.

NOTA: Es probable que la potencia continua sea menor debido a limitaciones de operación y a factores ambientales.

En el estado de California, los Modelos de motores de la Serie 280000 están certificados por la Junta de recursos del aire de California para cumplir con los estándares de emisiones de 125 horas. Dicha certificación no ofrece al comprador, propietario u operador de este motor ninguna garantía adicional con respecto al rendimiento o vida útil de este motor. Este motor está garantizado únicamente de acuerdo a las garantías del producto y de emisiones indicadas en otras secciones de este manual.

REGLAS DE SEGURIDAD

Prácticas de operación segura para vehículos autoportados

Basadas en las recomendaciones del Instituto de Estándares Nacionales de Estados Unidos de América



PRECAUCION: Esta máquina cortadora es capaz de amputar manos y pies y de lanzar objetos con mucha fuerza. No respetar las instrucciones de seguridad a continuación podría resultar en lesiones graves o la muerte del operador o de espectadores.

I. OPERACIÓN GENERAL:

1. Antes de comenzar el trabajo, lea, entienda y siga todas las instrucciones que aparecen en el Manual de Instrucciones, en la máquina, en el motor y en cualquiera de los aditamentos.
2. Sólo permita que adultos responsables, familiarizados con las instrucciones, utilicen la máquina.
3. Despeje el área de objetos tales como piedras, juguetes, cables, etc., que podrían ser lanzados con fuerza por la cuchilla.
4. Antes de comenzar a cortar el césped, asegúrese de que no haya ninguna persona en el área. Si alguien entra en el área, pare de inmediato la máquina.
5. Nunca lleve pasajeros.
6. Antes de retroceder, desconecte la alimentación al cortacésped o a cualquier aditamento que tenga instalado. No corte el césped en reversa a menos que esto sea absolutamente necesario. Siempre mire hacia abajo y hacia atrás antes de retroceder y mientras retrocede.
7. Esté atento a la dirección de descarga de la hierba cortada. No dirija la descarga hacia personas o hacia lugares donde pudiera haber gente. No opere la unidad sin tener instalado el recolector de hierba o el dispositivo de seguridad.
8. Aminoré la velocidad antes de dar la vuelta.
9. Nunca deje una máquina desatendida mientras el motor está en marcha. Siempre desembrague la cuchilla(s), enganche el freno de mano, pare el motor y retire la llave antes de bajarse.
10. Desconecte la alimentación a los aditamentos cuando no los esté utilizando o cuando transporte la unidad. Desembrague la cuchilla(s) cuando no esté cortando el césped.
11. Pare el motor antes de desmontar el recolector de hierba o para desobstruir el conducto de descarga.
12. Corte el césped a la luz del día o con buena luz artificial.
13. No opere la máquina si está bajo los efectos del alcohol o de drogas, o si está muy cansado.
14. Esté atento al tráfico cuando opere la máquina cerca de caminos o si debe cruzarlos.
15. Si usa un remolque o camioneta para transportar la unidad, tenga mucho cuidado al cargar o descargar la unidad del vehículo.
16. Desenganche todos los embragues de los aditamentos y coloque la palanca de cambios en la posición neutro antes de arrancar el motor.
17. Siempre use gafas de protección u algún tipo de protector para los ojos cuando utilice la unidad, de esta manera protegerá sus ojos de objetos que pudieran ser lanzados por la máquina. Este tipo de protección ocular también debe usarlo cuando necesite hacer ajustes o reparaciones a la máquina.

18. Tenga mucho cuidado cuando deba remolcar cargas o cuando utilice equipos pesados.
 - a. Utilice únicamente barras de enganche con puntos de remolque aprobados.
 - b. Limite las cargas a aquellas que usted pueda controlar con seguridad.
 - c. No gire el volante bruscamente. Tenga cuidado al retroceder.
 - d. Utilice contrapesos o pesos en las ruedas cuando esto sea recomendado en el Manual de Instrucciones.
19. No opere esta máquina si está tomando drogas u otras medicinas que pudieran causar somnolencia o que pudieran afectar su habilidad para operar esta máquina.
20. No opere esta máquina si su estado emocional o físico no le permite operarla con seguridad.
21. Los datos recopilados indican que los operadores de 60 años o más, sufren un mayor número de accidentes y lesiones relacionados con el manejo de máquinas cortacésped. Estos operadores deben evaluar sus habilidades para manejar de manera segura un tractor cortacésped y evitar así lesiones graves que pudieran sufrir ellos u otras personas que se encuentren presentes.

II. OPERACIÓN EN CUESTAS:

Las cuestas y los terrenos accidentados son factores principales que se relacionan a accidentes causados por pérdidas de control o por vuelcos de la unidad y que pueden resultar en lesiones graves o muerte. TODAS las cuestas requieren que se tomen precauciones adicionales. Si no puede subir la cuesta usando el cambio de marcha atrás, o si se siente incómodo en la cuesta, no la corte. Consulte la "Guía de evaluación de cuestas". Para obtener mayor información al respecto, consulte esta guía que aparece al final de este manual.

RECOMENDACIONES

1. En las cuestas, corte el césped verticalmente (hacia arriba y hacia abajo), y no en línea perpendicular (de lado a lado).
2. Quite todo obstáculo tal como piedras, ramas, etc.
3. Tenga cuidado con los hoyos, baches o resaltos. El terreno disparejo puede hacer que la máquina se vuelque. "La hierba muy alta puede esconder obstáculos".
4. Maneje la unidad a baja velocidad. Seleccione una velocidad suficientemente baja para que no tenga que parar o cambiar de velocidad mientras está en la cuesta.
5. Respete y siga las recomendaciones del fabricante acerca de pesos para las ruedas o contrapesos para mejorar la estabilidad.
6. Tenga mucho cuidado cuando utilice el recolector de hierba u otros aditamentos, estos afectan la estabilidad de la máquina.
7. Procure que todos los movimientos en las cuestas sean **lentos y graduales**. No haga cambios bruscos de velocidad o de dirección.

REGLAS DE SEGURIDAD

8. Evite tener que arrancar el motor o pararlo en una cuesta. Si los neumáticos pierden tracción, desembrague la cuchilla(s) y continúe despacio **directamente hacia el pie** de la cuesta.

PRECAUCIONES

1. **No** gire en las cuestas a menos que sea absolutamente necesario, si debe hacerlo, gire lenta y gradualmente cuesta abajo, si es posible.
2. **No** corte el césped cerca de precipicios, zanjas o terraplenes. Una rueda sobre un borde o el desprendimiento de un borde podría causar un vuelco inesperado provocando lesiones o la muerte.
3. **No** corte el césped si está mojado. La reducida tracción puede hacer que la máquina resbale.
4. **No** trate de estabilizar la máquina bajando su pie al suelo.
5. **No** utilice el recolector de hierba ni otro accesorio de remolque en cuestas empinadas (de más de 10 grados).

III. NIÑOS:

Pueden ocurrir accidentes trágicos si el operador no está alerta a la presencia de niños. A muchos niños les atraen las cortadoras autoportadas. NUNCA suponga que los niños permanecerán en el último lugar donde los vió.

1. Mantenga a los niños fuera del área de trabajo y bajo el cuidado de un adulto que no sea el operador.
2. Manténgase alerta y pare el motor si entran niños al área.
3. Antes y mientras retrocede, mire **hacia atrás y hacia abajo** por si hay niños.
4. Nunca permita que niños u otras personas vayan como "pasajeros" en el cortacésped, ni siquiera cuando la cuchilla(s) no esté puesta. Ellos pueden caerse, lesionarse gravemente o pueden interferir con la operación segura de la máquina.
5. Nunca permita que niños operen la máquina. Enséñeles a los niños los peligros de la máquina.
6. Tenga mucho cuidado cuando se aproxime a esquinas ciegas, arbustos, árboles u otros objetos que le impidan una buena visibilidad.

IV. SERVICIO:

1. Tenga mucho cuidado cuando manipule gasolina y otros combustibles. Los combustibles son inflamables y los vapores son explosivos.
 - a. Utilice únicamente un recipiente aprobado.
 - b. Nunca quite la tapa del tanque de gasolina ni añada combustible cuando el motor esté en marcha. Deje que el motor se enfríe durante varios minutos antes de llenar el tanque. No fume cuando llene el tanque.
 - c. Nunca agregue combustible cuando la unidad se encuentra en un recinto cerrado o cerca de electrodomésticos que tengan luces pilotos, calentadores, u otras fuentes de ignición.
 - d. Nunca guarde el cortacésped con combustible en el tanque, o el recipiente de combustible en un recinto donde haya alguna llama expuesta, tal como el piloto de un calentador de agua.
2. Nunca arranque el motor ni lo deje en marcha dentro de un recinto cerrado.
 - a. Compruebe que la bujía, mofle, tapa del tanque de combustible y limpiador de aire estén en su lugar.

- b. No vire el motor sin cuando haya quitado la bujía.
- c. Si se derrama combustible, espere hasta que éste se evapore antes de arrancar el motor.
- d. No arranque el motor si hay algún escape de PL o gas natural en el área.


3. Mantenga todas las tuercas y pernos apretados, especialmente las tuercas de montaje de la cuchilla(s). Revise con frecuencia la cuchilla(s) para ver si está gastada o si tiene algún daño tal como grietas o abolladuras. Una cuchilla torcida o dañada debe ser reemplazada inmediatamente por una cuchilla de repuesto original la cual puede obtener en un centro de servicio autorizado. Para mayor seguridad, reemplace la cuchilla cada dos años. Mantenga el equipo en buenas condiciones.
4. Nunca trate de modificar los dispositivos de seguridad. Revíselos con frecuencia para cerciorarse de que trabajan bien.
5. Para reducir los riesgos de incendio, mantenga la máquina libre de acumulaciones de hierba, hojas u otros desechos. Limpie derrames de aceite o de combustible. Deje que la máquina se enfríe antes de guardarla.
 - a. Deje que se enfríen las áreas del mofle y del motor antes de tocarlas.
6. Pare e inspeccione el equipo si choca contra algún objeto. Si es necesario, repare el equipo antes de hacerlo arrancar de nuevo.
7. Nunca realice ajustes o reparaciones con el motor en marcha. El carburador puede ser ajustado mientras el motor está en marcha. No cambie los ajustes del regulador del motor ni sobrepase la velocidad de régimen del motor.
8. Los componentes del recolector de hierba están sujetos a desgaste, daño y deterioro, factores que pueden exponer las partes móviles o permitir que objetos sean lanzados por la máquina. Al guardar la unidad, asegúrese siempre de que el recolector de hierba esté vacío. Revise los componentes periódicamente, y cuando sea necesario, reemplácelos con piezas de repuesto recomendadas por el fabricante.
9. La cuchilla(s) de la cortadora es afilada y puede cortar. Envuelva la cuchilla(s) o utilice guantes y tome precauciones cuando tenga que revisarla o revisar el área del alojamiento de la cuchilla.
10. Examine los frenos frecuentemente. Ajústelos y revíselos según sea necesario.
11. Antes de comenzar a revisar cualquier parte de la unidad, espere a que todo movimiento se detenga.

RESPONSABILIDAD DEL PROPIETARIO

CONSIDERACIÓN AMBIENTAL

- No llene completamente el tanque de combustible.
- Saque el combustible de la máquina al guardarla durante la temporada de no uso.
- Use solamente gasolina sin plomo.
- Examine y limpie el filtro de aire regularmente.
- Cambie el aceite regularmente. Use aceite de 30W en el verano.
- Ajuste el motor regularmente.
- Mantenga el equipo en buen estado de funcionamiento.
- Deshágase debidamente del aceite de motor usado.

REGLAS DE SEGURIDAD

Se usa el símbolo de seguridad  para identificar información de seguridad acerca de peligros que pudieran resultar en lesiones personales. Se usa una palabra de aviso (PELIGRO, ADVERTENCIA o PRECAUCIÓN) con el símbolo de alerta para indicar la posibilidad y la posible gravedad de una lesión. También, se puede usar un símbolo de peligro para representar el tipo de peligro.

PELIGRO indica un peligro que, si no se evita, **va a resultar en muerte o lesión grave.**

ADVERTENCIA indica un peligro que, si no se evita, **puede resultar en muerte o lesión grave.**

PRECAUCIÓN indica un peligro que, si no se evita, **podría resultar en una lesión leve o moderada.**

PRECAUCIÓN cuando se usa sin el símbolo de alerta, indica una situación que **podría resultar en daño al motor.**

REGLAS DE SEGURIDAD

SIMBOLOS INTERNACIONALES

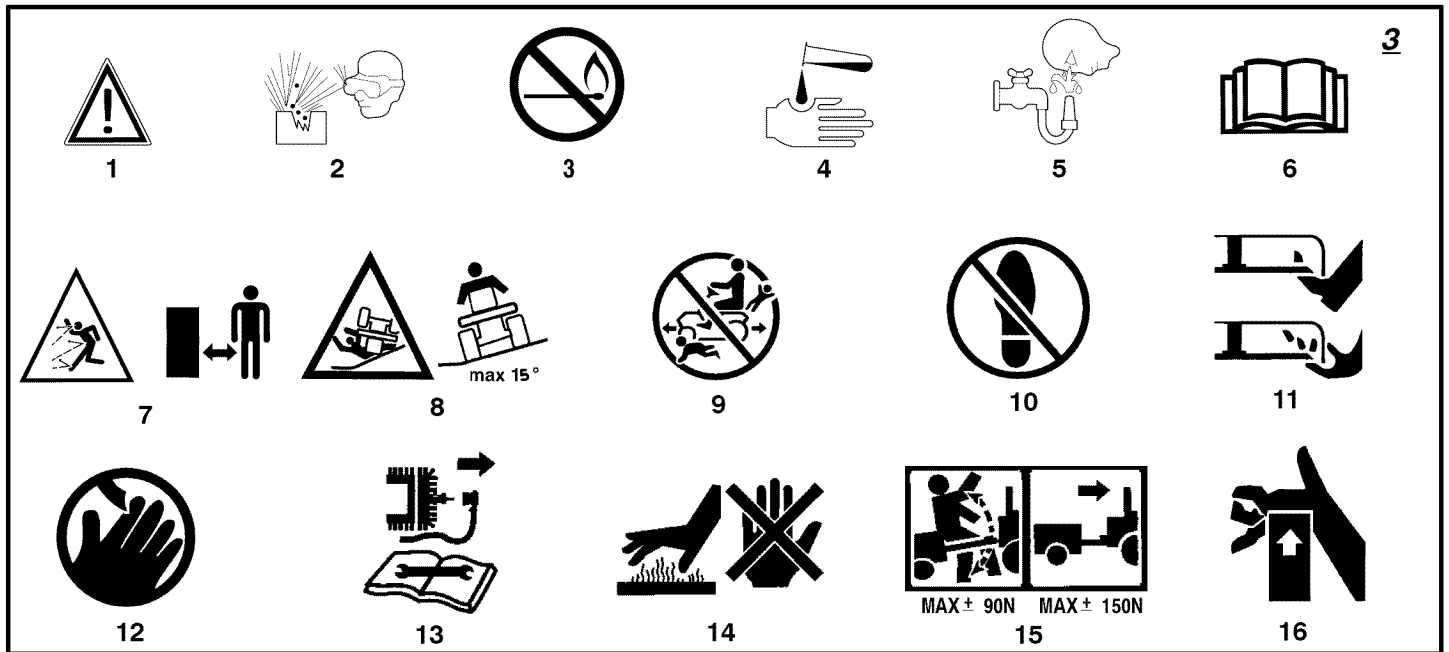
IMPORTANTE: Los siguientes símbolos están ubicados en su unidad o indicados en la información impresa que está incluida con el producto. Antes de usar la unidad, debe familiarizarse con el significado y propósito de cada símbolo.

Símbolos de seguridad

- 1 Advertencia
- 2 Proteja los ojos. Gases potencialmente explosivos le pueden envenenar o lesionar.
- 3 Evite chispas y llamas. No fume.

- 4 El ácido sulfúrico puede causar ceguera o quemaduras graves.
- 5 Limpie los ojos inmediatamente con agua. Consiga asistencia médica inmediatamente.
- 6 **IMPORTANTE:** Lea el Manual del Usuario antes de operar esta máquina.
- 7 **ADVERTENCIA:** Objetos pueden ser lanzados de la máquina. Opere a una distancia segura de otras personas. Lea el Manual del Usuario antes de operar esta máquina.
- 8 **ADVERTENCIA:** No use esta máquina en cuestas de más de 15 grados.
- 9 **PELIGRO:** Mantenga a otras personas, particularmente niños, a una distancia segura de esta máquina.

- 10 **PELIGRO:** No pisar.
- 11 **PELIGRO:** Mantenga los pies y las manos a una distancia segura de la cuchilla en movimiento.
- 12 **PELIGRO:** Mantenga las manos a una distancia segura de la cuchilla en movimiento.
- 13 **PELIGRO:** Desconecte el cable de la bujía antes de realizar cualquier reparación en la máquina.
- 14 **ADVERTENCIA:** Superficie caliente.
- 15 **ADVERTENCIA:** Tenga cuidado al conectar o desconectar los accesorios.
- 16 **ADVERTENCIA:** Puede lesionar gravemente la mano.

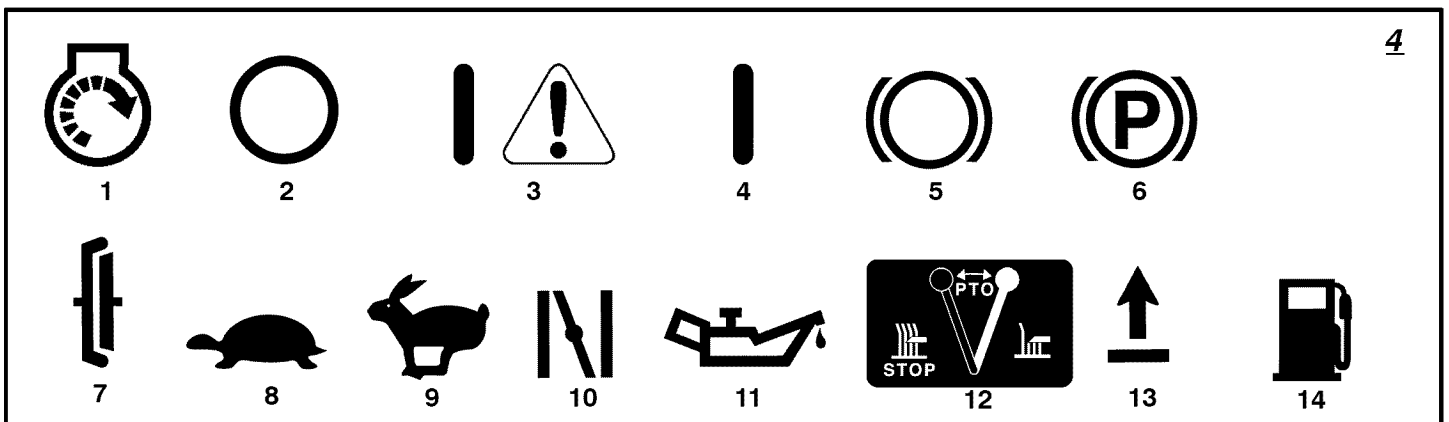


Símbolos de control y funcionamiento

- 1 Arranque del motor
- 2 Parada del motor
- 3 Select Reverse™
- 4 Motor en marcha

- 5 Freno
- 6 Freno de mano
- 7 Embrague
- 8 Marcha lenta
- 9 Marcha rápida

- 10 Cebador
- 11 Aceite
- 12 Dirección de rotación de la cuchilla
- 13 Levantar
- 14 Combustible



PREPARACIÓN

PREPARACIÓN

Lea y siga las instrucciones de preparación para su cortacésped. Todos los sujetadores se encuentran en la bolsa de piezas. No tire ninguna de las piezas ni materiales hasta que haya acabado de montar la unidad.

NOTA. En este manual de instrucciones, el lado derecho o izquierdo describe la ubicación de una pieza desde el punto de vista del cuando se encuentra sentado en la unidad.



ADVERTENCIA. Antes de hacer cualquier tipo de preparación o de dar servicio al cortacésped, desconecte el cable de la bujía.

CÓMO SACAR LA UNIDAD DE LA CAJA

Para sacar la unidad de la caja, haga lo siguiente:

1. Ubique las dos lengüetas de separación ubicadas en la parte superior de la caja de cartón.
2. Jale la cinta de separación por más de doce pulgadas a la vez.
3. Vuelva a tirar de la cinta de separación, esta vez haciéndolo más cerca del cartón.
4. Una vez que la cinta de separación ha sido retirada completamente de ambos extremos, saque el marco de madera y colóquelo a un lado.
5. Repita el proceso en las lengüetas de separación de la parte inferior de la caja de cartón.
6. Coloque los paneles a un lado.
7. Mueva la palanca de cambios a la posición neutro (N).

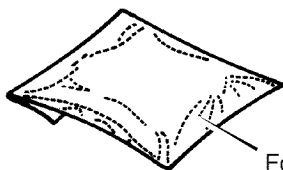
NOTA: Consulte la página 80 en la sección de Operación, para ver la ubicación de los controles.

8. Si el freno de estacionamiento está enganchado, pise a fondo el pedal de embrague / freno para desenganchar el freno
9. Mueva la palanca de elevación a la posición más alta.

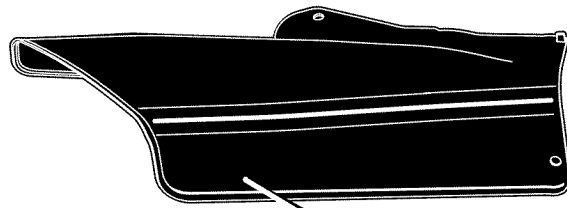
PRECAUCIÓN: Revise el fondo de la caja de cartón por si quedaran algunas grapas. Retire cualquier grapa que se encuentre en el camino de los neumáticos.

10. Retire el cortacésped de la plataforma de envío.

CONTENIDO DE LA BOLSA DE PIEZAS SUELTAS



Folleto informativo



Aditamento para descarga lateral

PREPARACIÓN

BATERÍA LIBRE DE MANTENIMIENTO

IMPORTANTE. Antes de conectar los cables de batería a la batería, compruebe la fecha de la misma. Esta fecha le indicará si necesita cambiar la batería.

1. Levante el soporte del asiento y fíjelo en la posición LEVANTADA con la varilla del soporte.
2. Revise la parte superior y los lados de la **batería (1)** para la ubicación de la fecha de la batería. (Figura 41).
3. Si la **batería** va a entrar en servicio *antes* de la **fecha de la batería**, puede conectar los cables sin cambiar la **batería**. Consulte "Cómo instalar los cables de la batería".
4. Si la **batería** va a entrar en servicio *después* de la **fecha de la batería**, tendrá que cargarla. Consulte "Cómo cargar una batería sin mantenimiento".

CÓMO CARGAR UNA BATERÍA LIBRE DE MANTENIMIENTO



ADVERTENCIA. No fume cuando esté cargando la batería. No deje que le lleguen chispas. Los vapores de la batería podrían provocar una explosión.

1. Para desconectar la **abrazadera de la batería** de la **bandeja**, empuje el extremo inferior de la **abrazadera**.
2. Quite la **batería** desde el lado derecho de la unidad.
3. Quite las tapas protectoras de los **bornes de la batería**.

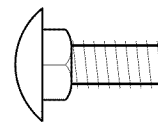
4. Use un cargador de baterías de 12 voltios para cargar la **batería**. Cárguela a una velocidad de 6 amperios por hora. Si no tiene un cargador, lleve la batería a un centro autorizado para que lo hagan por usted.
5. Instale la **batería** y fíjela en su sitio con su **sujetador**. El **terminal positivo (+)** tiene que quedar a la derecha.

CÓMO INSTALAR LOS CABLES DE LA BATERÍA

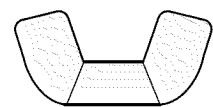


ADVERTENCIA. Para que no se produzcan chispas, conecte el cable rojo al borne positivo (+) antes de conectar el cable negro.

Use los sujetadores que se muestran a continuación para instalar los **cables de la batería**. Los sujetadores vienen junto con los cables de la batería.



(A)
2x82



(B)
14x79

1. Quite las tapas protectoras de los **bornes de la batería**.
2. Conecte el **cable rojo** y el **manguito protector** al **borne positivo (+)** con los sujetadores como se indica (Figura 41).
3. Conecte el **cable negro** al **borne negativo (-)** con los sujetadores como se indica.

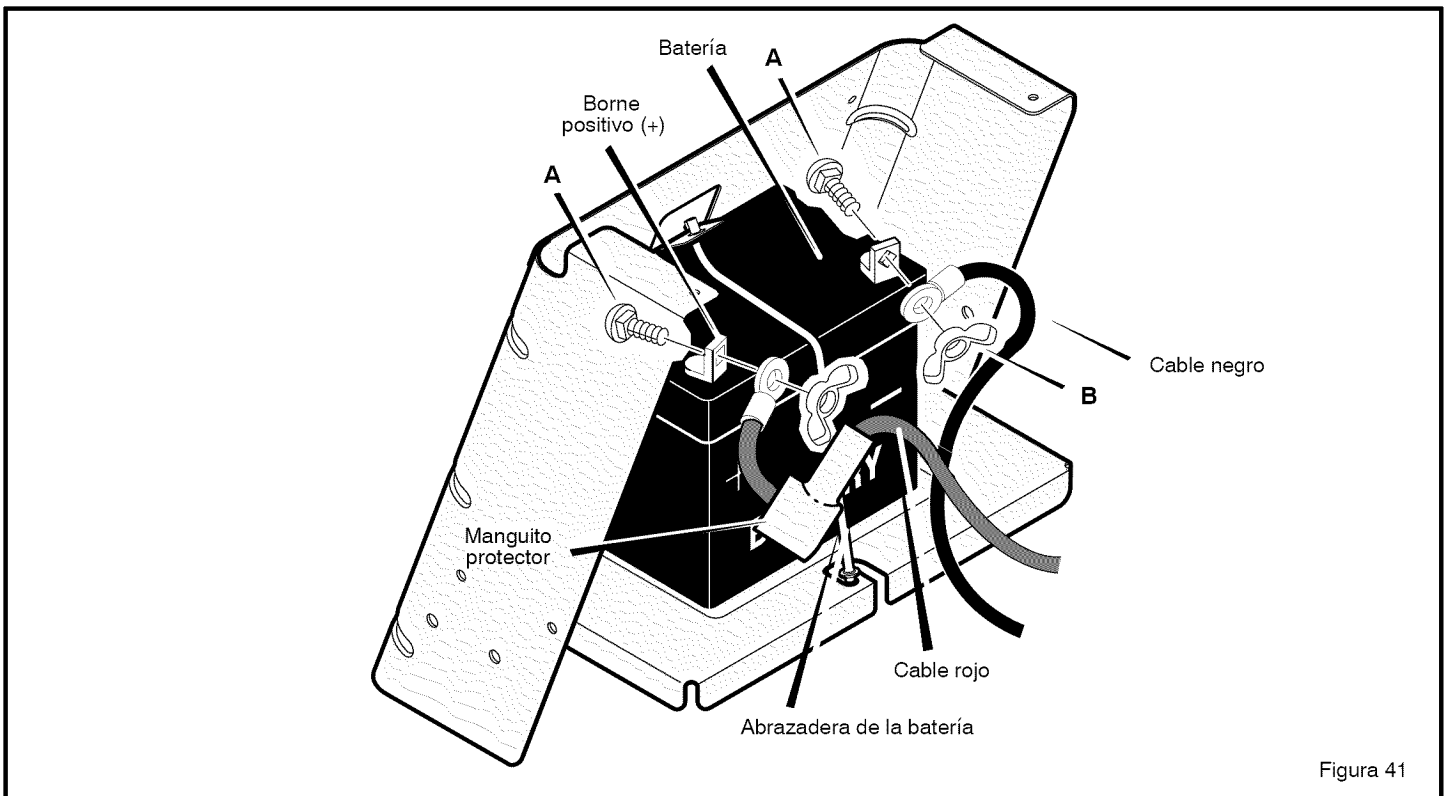


Figura 41

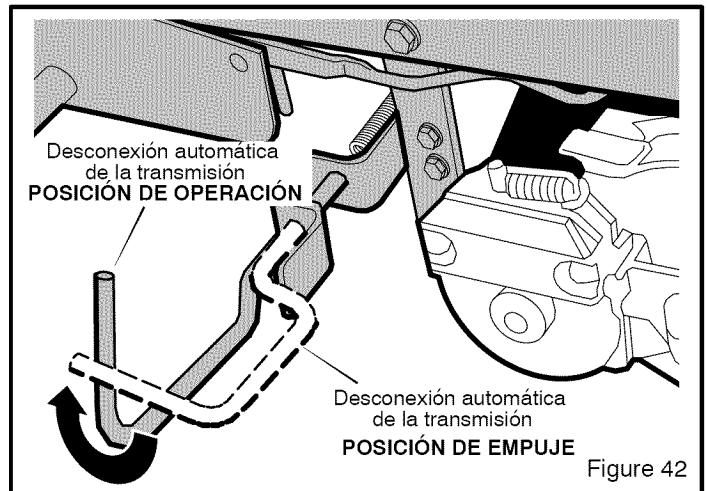
PREPARACIÓN

CÓMO CONECTAR LA TRANSMISIÓN

Para poder empujarla, la unidad fue enviada de fábrica con la barra de **desconexión automática de la transmisión** en la POSICIÓN DE EMPUJE. Antes de hacer funcionar la unidad es necesario colocar la barra de **desconexión automática de la transmisión** en la POSICIÓN DE OPERACIÓN. (Figure 42)

1. El motor debe estar apagado.
2. La **desconexión automática de la transmisión** está ubicada debajo del lado izquierdo de la plataforma del asiento, junto al eje transversal hidrostático.
3. Para activar la transmisión, quite el seguro de la **desconexión automática de la transmisión**. La transmisión está ahora *activada* y lista para funcionar.
4. Para desenganchar la transmisión y empujar la unidad, jale y gire la **desconexión automática de la transmisión**. Fije la **desconexión automática de la transmisión** en la posición de EMPUJE (Figura 1). La transmisión está ahora *desactivada* y se puede empujar la unidad.

NOTA: En clima frío, la alta viscosidad del aceite de transmisión hará que la unidad sea difícil de empujar.



CÓMO PREPARAR EL MOTOR

NOTA. El motor viene de fábrica lleno de aceite. Compruebe su nivel. Añada más aceite si es necesario.

NOTA: Cuando se opera un nuevo motor, a veces éste emite algo de humo. Este humo se produce por pintura o aceite que se encuentre sobre o cerca del mofle. Esto es normal y se espera solamente durante la operación inicial.

Lea toda la información de seguridad, funcionamiento, mantenimiento y almacenamiento antes de utilizar la unidad.

CÓMO REVISAR LOS NEUMÁTICOS

NOTA: Los neumáticos fueron sobreinflados para el envío. La presión de aire correcta aparece en la cara lateral del neumático.

Revise la presión de aire de los neumáticos. Demasiada presión de aire en los neumáticos hará que la unidad salte. También, la presión de aire incorrecta hará que el cárter de la cortadora de césped corte en forma dispareja. La presión de aire (PSI) correcta aparece en la cara lateral del neumático.

CÓMO REVISAR SI EL CÁRTER ESTÁ NIVELADO

Asegúrese de haber cortado el césped de manera uniforme. Una vez haya cortado un trozo, vuélvase a observarlo. Si el cárter no está cortando de forma pareja, lea las instrucciones en "Cómo nivelar el cárter" en la sección de Servicio y Ajuste de este manual de instrucciones.

¡IMPORTANTE! ANTES DE EMPEZAR A CORTAR EL CÉSPED

- Revise el aceite del motor.
- Llene el tanque de gasolina.
- Revise la presión de aire en los neumáticos.
- Compruebe que el cárter esté nivelado.
- Asegúrese de que los cables de la batería estén conectados.
- Asegúrese de que el cable esté conectado a la bujía.

OPERACIÓN

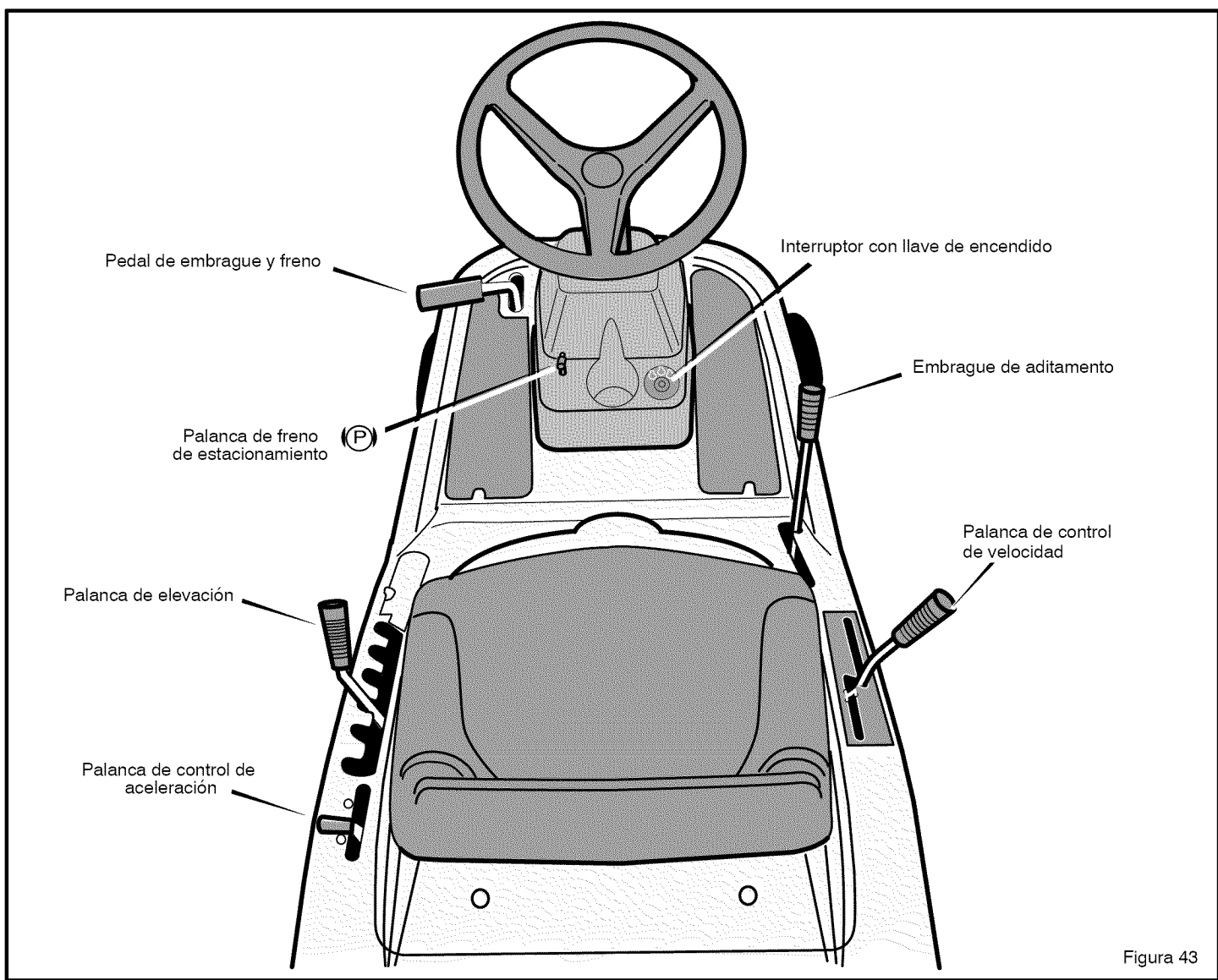


Figura 43



La operación de cualquier cortadora de césped puede causar el lanzamiento de objetos extraños y lesionar los ojos, lo cual puede resultar en daños graves a la vista. Siempre utilice gafas de protección o un protector para los ojos antes de encender su cortadora de césped o mientras está cortando el césped. Recomendamos gafas de seguridad estándar o una máscara de seguridad de visión amplia (Wide Vision Safety Mask) para colocar sobre los anteojos, estos productos se encuentran disponibles en sus tiendas o catálogos de Sears.

UBICACIÓN DE CONTROLES

EMBRAGUE DE ADITAMENTOS: Utilice el embrague de aditamentos para iniciar y parar la rotación de la cuchilla y para operar el aditamento del quitanieves.

PEDAL DE EMBRAGUE Y FRENO: El pedal tiene dos funciones. La primera función es de embrague. La segunda función es de freno. Use el pedal de freno para detener rápidamente la marcha hacia adelante o la marcha hacia atrás de la unidad.

INTERRUPTOR CON LLAVE DE ENCENDIDO: Utilice el interruptor con llave de encendido para encender y apagar el motor. Cuando arranque el motor y suelte la llave de encendido, el interruptor con llave de encendido irá automáticamente a la posición

del ajuste preestablecido recomendado MARCHA-CORTE para el corte normal del césped.

PALANCA DE CONTROL DE VELOCIDAD Utilice esta palanca para cambiar la velocidad y la dirección de la unidad.

PALANCA DE ELEVACIÓN: Utilice la palanca de elevación para cambiar la altura del corte.

PALANCA DE FRENO DE ESTACIONAMIENTO: Utilice la palanca de freno de estacionamiento para enganchar el freno cuando deja la unidad.

PALANCA DE CONTROL DE ACELERACIÓN: Utilice la palanca de control de aceleración para aumentar o disminuir la velocidad del motor.

OPERACIÓN

ADITAMENTOS

Se puede adaptar una gran variedad de aditamentos a esta unidad. Consulte la página de aditamentos en este manual. Esta máquina tiene capacidad para arrastrar varios aditamentos tales como rastrillo, aireador para césped, una esparcidora de tolva o un remolque pequeño. Esta unidad puede usar aditamentos que entren en la tierra como arados, gradas de disco o cultivadoras.

Para todos los aditamentos de arrastre o remolques, el peso bruto

máximo es de 200 libras. El peso bruto es el peso del aditamento o remolque más la carga que lleve.

No operar la unidad en cuestas con una inclinación mayor que 10 grados cuando esté utilizando un aditamento o remolque de arrastre. En este manual hemos incluido una guía de cuestas para ayudarle a determinar la inclinación de la cuesta en la que estará operando su unidad. Nunca permita que nadie se pare o vaya montado sobre o dentro de un aditamento o remolque.

SISTEMA ELÉCTRICO DE SEGURIDAD

El sistema eléctrico tiene dos componentes principales, un Sistema de funcionamiento en presencia del operador y un sistema Select Reverse™.

Sistema de funcionamiento en presencia del operador (Asiento)

El asiento cuenta con un Sistema de funcionamiento en presencia del operador el cual apaga el motor cuando el operador se levanta del asiento. Este sistema no está diseñado para ser usado como

interruptor para apagar el motor o la rotación de la cuchilla(s) normalmente. Antes de levantarse del asiento, mueva el control de rotación de la cuchilla a la posición DESENGANCHE, mueva la palanca de cambios a la posición neutro, enganche el freno de mano y pare el motor.

Sistema Select Reverse™

El sistema **Select Reverse™** permitirá que la cuchilla(s) del cortacésped siga girando cuando retrocede. Para más detalles consulte "Operación del Interruptor con llave de encendido" y "Arranque del motor".

OPERACIÓN DEL INTERRUPTOR CON LLAVE DE ENCENDIDO

Use el interruptor con llave de encendido para arrancar y parar el motor. Cuando arranque el motor y suelte la llave de encendido, el interruptor con llave de encendido irá automáticamente a la posición del ajuste preestablecido recomendado **MARCHA-CORTE** para el corte normal del césped.

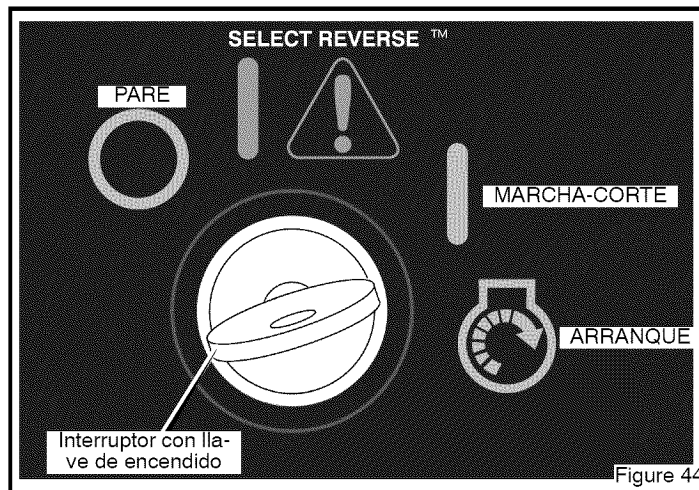
ARRANQUE – Use esta posición para hacer arrancar el motor.

MARCHA-CORTE – Cuando usted arranque el motor y suelte la llave de encendido, el motor con llave de encendido irá automáticamente a la posición del ajuste preestablecido recomendada **MARCHA-CORTE** para el corte normal del césped. En la posición **MARCHA-CORTE**, el sistema parará el motor y la cuchilla(s) cuando el pedal de control de velocidad / palanca de cambios sea colocada en la posición de marcha atrás.

SELECT REVERSE™ – La posición opcional **Select Reverse™** permitirá que la cuchilla(s) del cortacésped siga girando cuando ponga la unidad en marcha atrás. Siempre use la posición recomendada **MARCHA-CORTE** para el corte normal cuando **Select Reverse™** no sea absolutamente necesario. **NUNCA** use la opción **Select Reverse™** si hay niños en o cerca de la propiedad.

ADVERTENCIA: Se recomienda encarecidamente a los operadores que no usen esta opción, a menos que el operador decida hacerlo porque dicha opción es absolutamente necesaria, y se han tomado todas las medidas de seguridad. Nunca use la opción **Select Reverse™** si hay niños en o cerca de la propiedad. Siempre mire hacia abajo y hacia atrás cuando esté retrocediendo. Después de usar la opción **Select Reverse™**, mueva la llave de encendido a la posición **MARCHA-CORTE**.

PARE – Use esta posición para parar el motor.



OPERACIÓN


CÓMO DETENER LA UNIDAD

1. Pise a fondo el **pedal de embrague y freno** para detener la unidad. Mantenga su pie en el pedal.
2. Mueva el control de rotación de la cuchilla a la posición **DESEMBRAGUE**.
3. Mueva la palanca de control de velocidad a la posición **NEUTRO**.

4. Enganche el freno de estacionamiento.



Asegúrese de que el freno de estacionamiento detenga la unidad.

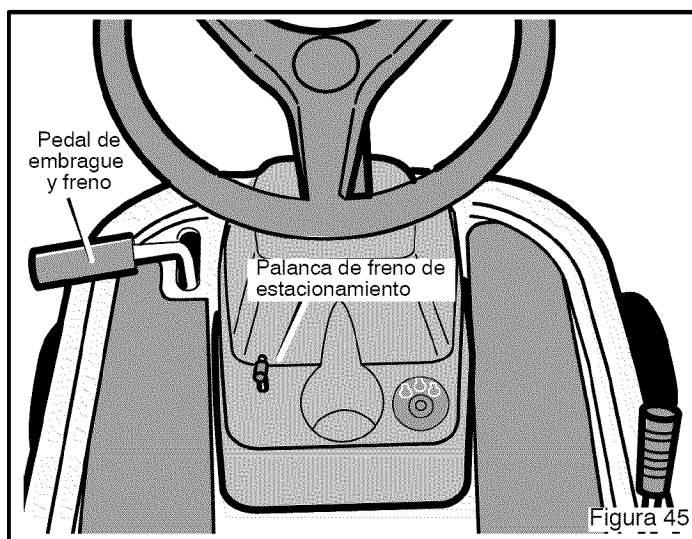
5. Mueva la palanca de control de aceleración a la posición **LENTO**.
6. Para apagar el motor, ponga la llave de encendido en la posición **STOP** . Saque la llave.

CÓMO ENGANCHAR EL FRENO DE ESTACIONAMIENTO

1. Pise a fondo el **pedal de embrague y freno**.
2. Levante la **palanca del freno de estacionamiento** (Figura 45).
3. Retire su pie del pedal de embrague y freno y entonces suelte la **palanca del freno estacionamiento**. Asegúrese de que el freno de estacionamiento detenga la unidad.
4. Para soltar el **freno de estacionamiento**, pise a fondo el **pedal de embrague y freno**. El **freno de estacionamiento** se soltará automáticamente.



ADVERTENCIA: Antes de dejar la posición de operador, mueva la palanca de cambios a la posición neutro (N). Enganche el freno de estacionamiento. Mueva el control de rotación de la cuchilla a la posición **DESEMBRAGUE**. Apague el motor y saque la llave de encendido.



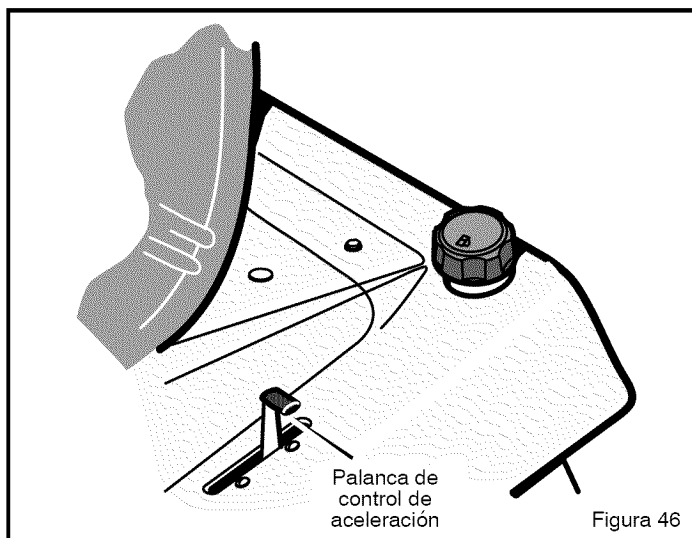
CÓMO USAR EL BOTÓN DE CONTROL DE ACELERACIÓN / CEBADOR

PRECAUCIÓN: Opere siempre el motor con el control de aceleración en la posición **RÁPIDO**. Si el motor corre por varios minutos a una velocidad menor que la de la posición **RÁPIDO**, el motor y la transmisión podrían recalentarse y dañarse.

Use el **botón de control de aceleración / cebador** para ahogar el motor cuando necesite arrancarlo en frío y aumentar o disminuir la velocidad del motor (Figura 46).

1. Mueva el **botón de control de aceleración / cebador** hacia adelante hasta la posición **AHOGAR** para arrancar el motor en frío.
2. La posición **RÁPIDO** está marcada con un tope. En condiciones normales y cuando lleve un recolector de hierba, ponga el **control de aceleración** en la posición **RÁPIDO**. Para cargar la batería al máximo y cuando el motor funcione en frío, opere el motor en la posición **RÁPIDO**.
3. Para transportar la unidad y para remolcar aditamentos de enganche, mueva el control de aceleración a la posición **LENTO**.

4. El regulador de velocidad del motor ha sido ajustado en la fábrica para que usted obtenga el máximo rendimiento. No ajuste el regulador para aumentar la velocidad del motor.



OPERACIÓN

CÓMO USAR EL EMBRAGUE DE ADITAMENTO

El **embrague de aditamentos** se usa para enganchar la cuchilla (Figura 47).

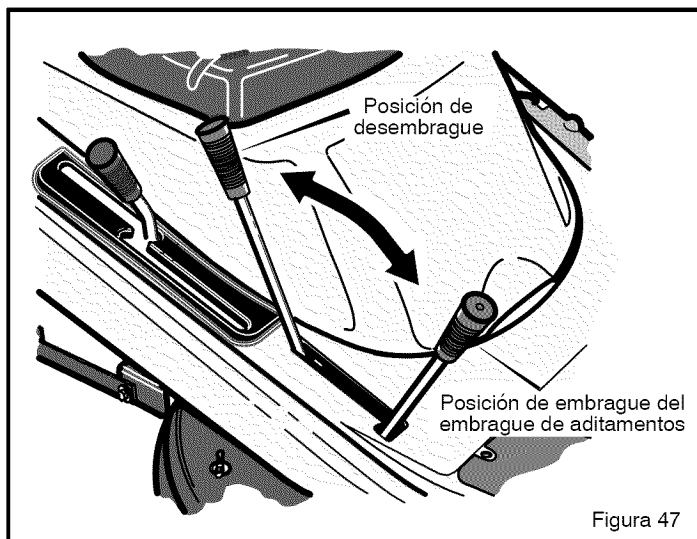
1. Antes de arrancar el motor, asegúrese de que el **embrague de aditamentos** esté en la **posición DESEMBRAGUE**.
2. Para que la cuchilla empiece a girar, mueva el **embrague de aditamentos** hacia adelante para bloquear la cuchilla en la posición de **EMBRAGUE**.

NOTA: Si se apaga el motor al enganchar la cuchilla, la transmisión está en marcha atrás.

3. Para detener la cuchilla, mueva el **embrague de aditamentos** a la **posición DESEMBRAGUE**. Asegúrese de que la cuchilla haya dejado de girar antes de dejar el asiento.
4. Si tiene que pasar con la máquina por una acera o carretera, mueva el **embrague de aditamentos** a la **posición de DES-EMBRAGUE**.
5. Antes de operar en marcha atrás, mueva el control de rotación de la cuchilla a la **posición DESENGANCHE**. Si el control de rotación de la cuchilla no está en la **posición DESENGANCHE**, el motor se parará cuando el pedal de control de velocidad / palanca de cambios se mueva a la posición **MARCHA ATRÁS**.



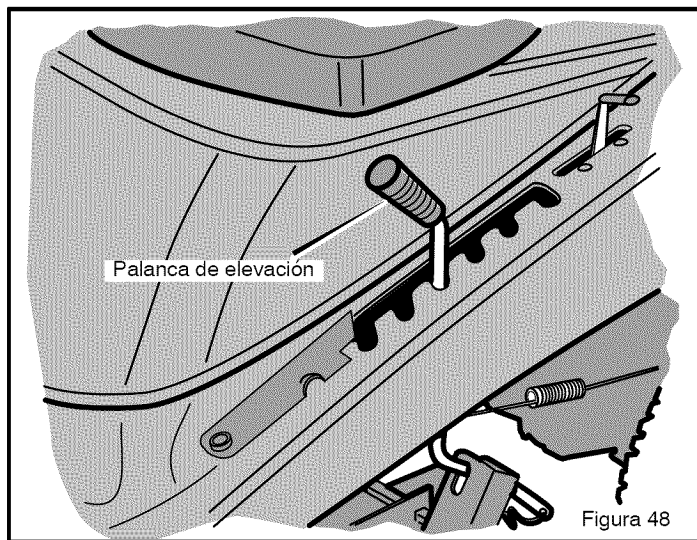
ADVERTENCIA. Nunca acerque las manos y los pies a la cuchilla, a la abertura del deflector ni al cárter mientras el motor esté en marcha.



CÓMO CAMBIAR LA ALTURA DE CORTE

Para cambiar la altura de corte, levante o baje la **palanca de elevación** según los pasos siguientes.

1. Mueva la **palanca de elevación** hacia abajo para bajar el cárter de la cortadora de césped y hacia arriba para levantar el cárter de la cortadora de césped (Figura 48).
2. Cuando Ud. conduce sobre una acera o una calle, mueva la **palanca de elevación** a la posición más alta y mueva el control de rotación de la cuchilla a la posición **DESEMBRAGUE**.



OPERACIÓN

CÓMO DESCONECTAR LA TRANSMISIÓN

Para empujar la unidad, use la **desconexión automática** para desactivar la transmisión. (Figura 49)

1. El motor debe estar apagado.
2. La **desconexión automática de la transmisión** está ubicada debajo del lado izquierdo de la plataforma del asiento, junto al eje transversal hidrostático.
3. Para desenganchar la transmisión y mover la unidad, jale y gire la **desconexión automática de la transmisión** y asegure la **desconexión automática de la transmisión** en la posición de EMPUJE (Figura 49). La transmisión está ahora *desactivada* y se puede empujar la unidad.

NOTA: En clima frío, la alta viscosidad del aceite en la transmisión hará que la unidad sea difícil de empujar.

4. Para activar la transmisión, quite el seguro de la **desconexión automática**. La transmisión está ahora *activada* y lista para funcionar.

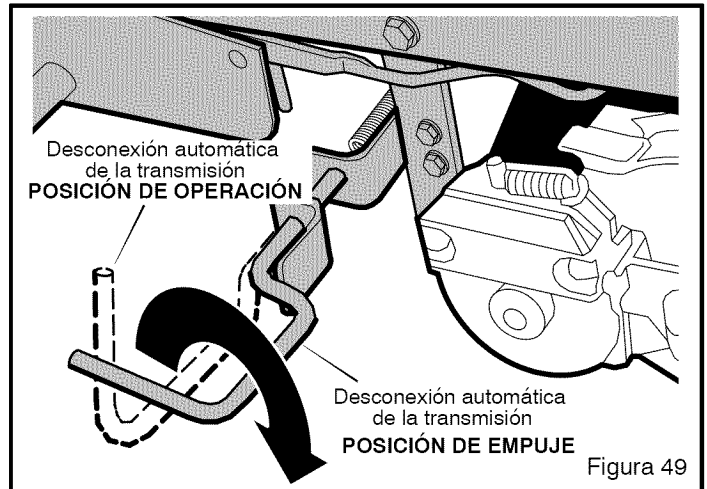


Figura 49

OPERACIÓN

CÓMO USAR LA PALANCA DE CONTROL DE VELOCIDADES

La transmisión hidrostática es muy fácil de operar. El sistema de transmisión tiene un pedal de embrague / freno en el lado izquierdo (Figura 50) y una palanca de control de velocidades y dirección en el lado derecho (Figura 51).

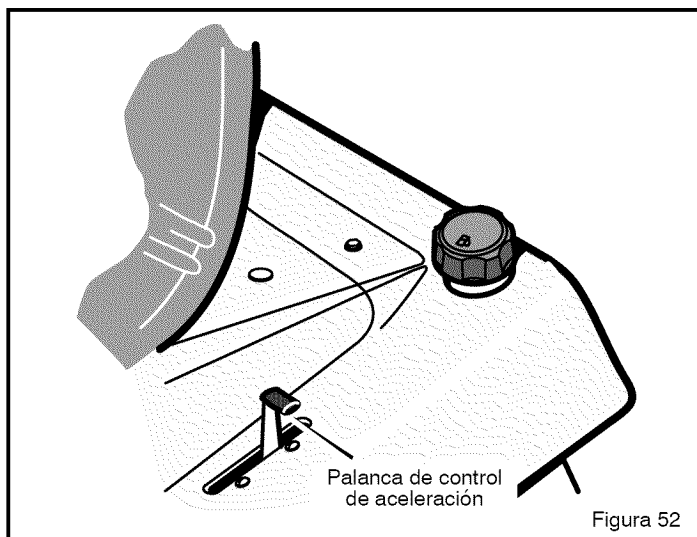
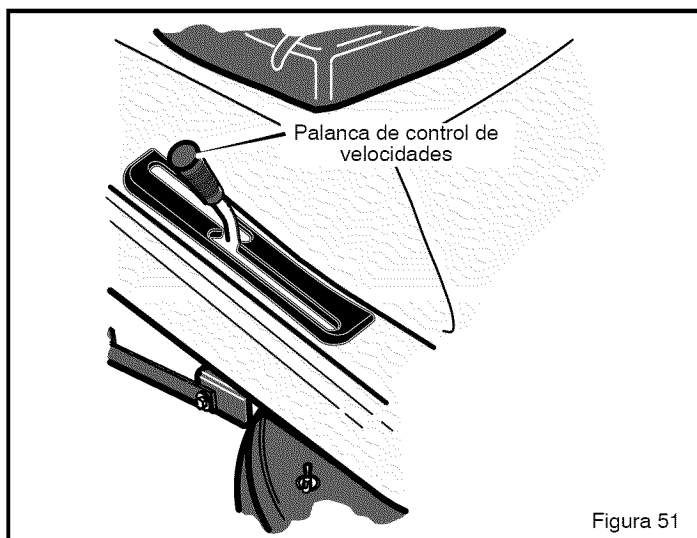
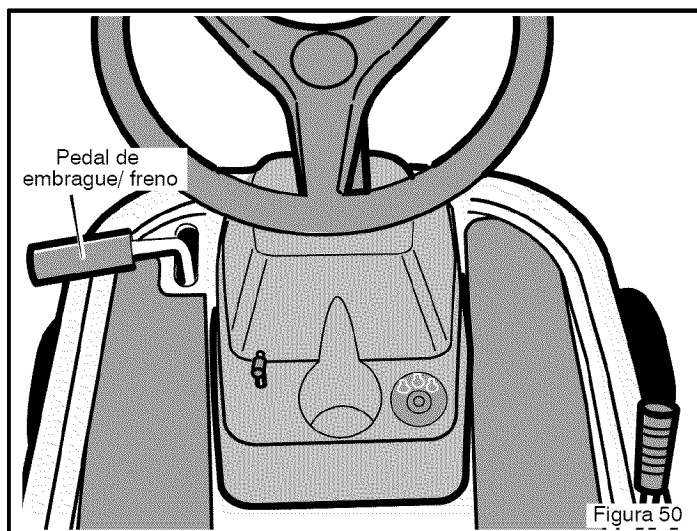
La velocidad y la dirección de avance son controladas por la palanca de control de velocidades (Figura 51). Use la palanca de control de velocidades tanto para avanzar como para retroceder.

CÓMO AVANZAR

1. La **desconexión automática de la transmisión** debe estar en la posición de OPERACIÓN (Figura 49).
2. Apriete a fondo el pedal de embrague / freno para detener la unidad (Figura 50). No suelte el pedal.
3. Mueva la palanca de control de velocidad a la posición NEUTRO (Figura 51).
4. Suelte lentamente el pedal de embrague / freno (Figura 50). No deje el pie sobre el pedal.
5. Mueva el control de aceleración a la posición RÁPIDO (Figura 52).
6. Empuje lentamente la palanca de control de velocidades hasta alcanzar la velocidad deseada (Figura 50).

CÓMO CAMBIAR DE DIRECCIÓN / MARCHA ATRÁS

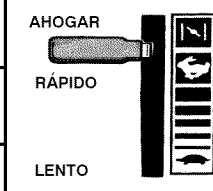
1. Siempre desenganche las cuchillas y mire hacia abajo y hacia atrás mientras está retrocediendo.
2. Mueva la palanca de control de velocidades a la posición NEUTRO (Figura 51).
3. Para retroceder, mueva la palanca de control de velocidades a la posición de MARCHA ATRÁS.



OPERACIÓN

POSICIONES DE LA PALANCA DE CONTROL DE VELOCIDADES

La velocidad de avance se controla por la posición de la **palanca de control de velocidades**. El cuadro siguiente incluye las **funciones** junto con las posiciones correspondientes de la **palanca de control de velocidades**. Siempre opere el motor con el **control de aceleración** en la posición **RÁPIDO**.

FUNCIÓN	POSICIÓN DE LA PALANCA DE CONTROL DE VELOCIDADES	CONTROL DE ACELERACIÓN
Recorte Cuestas inclinadas	1/3	
Recogido de hierba	1/3 a 1/2	
Corte normal	1/2 a 2/3	
Corte ligero	1/2 a 3/4	
Transporte	TOTAL	
Remolques	1/3 a 1/2	

CÓMO TRANSPORTAR LA UNIDAD

Para transportar la unidad, siga los pasos siguientes.

1. Mueva el embrague de aditamento a la posición **DESENGANCHADO**.
2. Levante la palanca de elevación a la posición más alta.
3. Mueva la palanca de control de aceleración a una posición **RÁPIDO**.
4. Para avanzar más rápido, mueva la palanca de control de velocidades a una velocidad más rápida.

OPERACIÓN

CÓMO DE INSTALAR EL ADITAMENTO PARA DESCARGA LATERAL



ADVERTENCIA. Para evitar que el motor arranque, desconecte el cable de la bujía. El embrague del aditamento tiene que estar en la posición de **DESEMBRAGUE**.

La **cubierta para trituradora** le permite triturar la hierba para obtener un corte más fino y limpio. Para descargar la hierba por el lado, instale el **aditamento para descarga lateral** de la siguiente manera.

1. Desatornille las dos **tuercas de mariposa** (Figura 53).

2. Levante la **cubierta para trituradora**. Monte el **aditamento de descarga lateral** en los mismo pernos que sujetaban la **cubierta para trituradora**.

3. Sujete el **aditamento de descarga lateral** con las **tuercas de mariposa**.

4. Para triturar la hierba, quite el **aditamento de descarga lateral** e instale la **cubierta para trituradora** en el cárter del cortacésped usando las **tuercas de mariposa**.

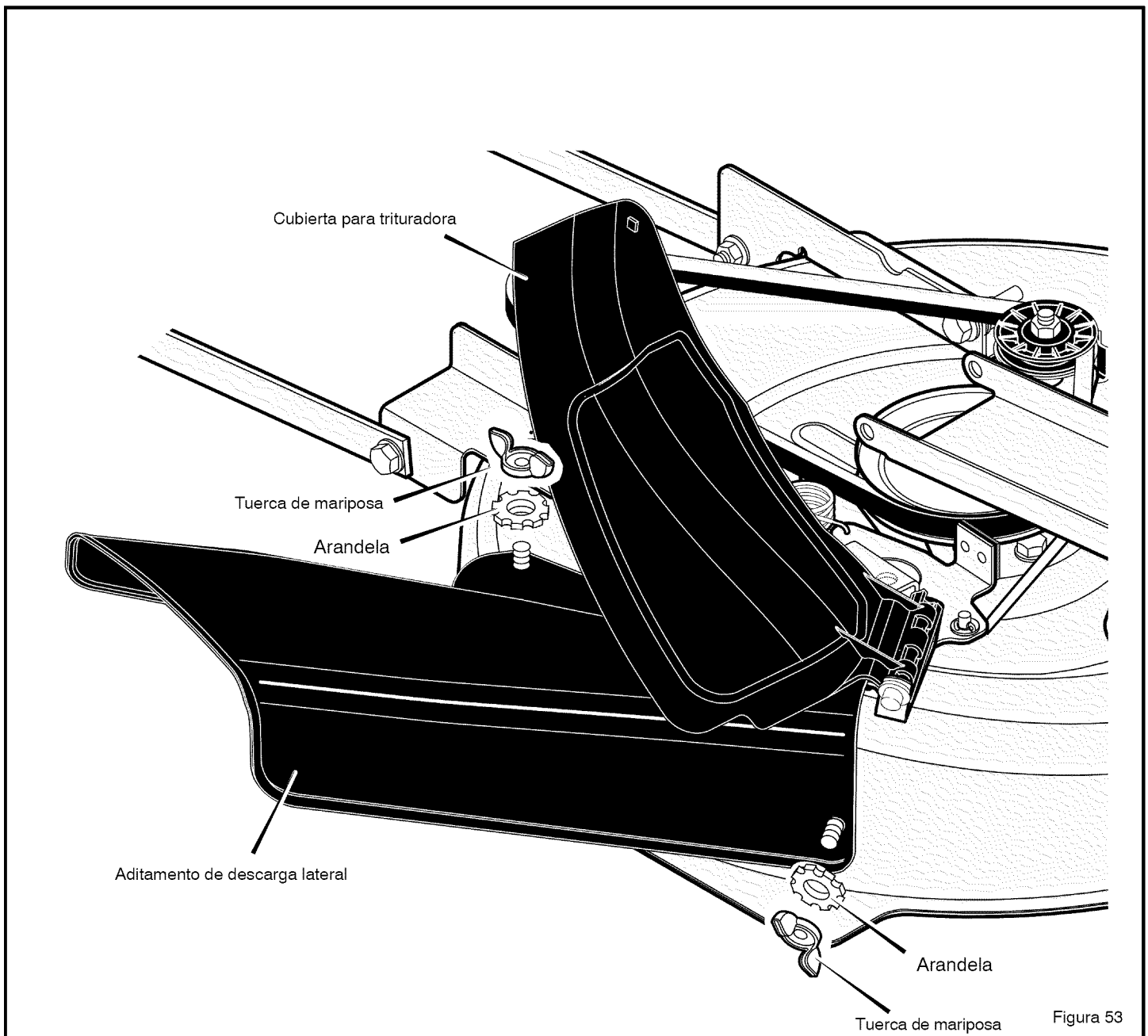


Figura 53

OPERACIÓN

ANTES DE ENCENDER EL MOTOR

REVISE EL ACEITE

NOTA: La unidad fue enviada desde la fábrica con el motor lleno de aceite de peso 30. Revise el nivel del aceite. Agregue aceite, según sea necesario.

1. Asegúrese de que la unidad esté nivelada.
NOTA: No revise el nivel del aceite cuando el motor esté en marcha.
2. Limpie las partes alrededor de la varilla indicadora del nivel de aceite. Retire la varilla indicadora. Limpie el aceite de la varilla.
3. Inserte la varilla indicadora dentro del tubo para agregar aceite. Gire la varilla indicadora hacia la derecha hasta que esté apretada. Retire la varilla indicadora y revise el nivel del aceite. El nivel de aceite debe llegar hasta la marca LLENO en la varilla.
4. Si sea necesario, agregue aceite hasta que el aceite llegue hasta la marca LLENO en la varilla indicadora. La cantidad de aceite necesaria desde AGREGAR a LLENO se muestra en la varilla indicadora. No agregue demasiado aceite.

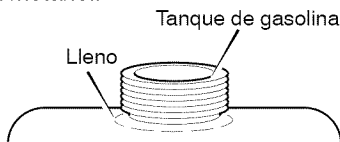
AGREGUE GASOLINA



ADVERTENCIA: Utilice siempre un recipiente aprobado de gasolina. No fume mientras agrega gasolina al tanque de combustible. No agregue gasolina cuando esté en un lugar cerrado. Antes de agregar gasolina, apague el motor y déjelo que se enfríe durante varios minutos.

Use gasolina limpia, fresca, regular sin plomo con un octanaje mínimo de 85. El combustible fresco previene que se formen depósitos de goma en el sistema de combustible o en partes esenciales del carburador. Compre combustible en cantidades que se puedan usar dentro de 30 días.

- No use gasolina que contenga metanol.
- No mezcle aceite con gasolina.
- Para la protección del motor, use un estabilizador de combustible que encontrará disponible en su tienda o centro de servicio Sears.
- Este motor está certificado para funcionar con gasolina. Sistema de control de emisiones de escape: EM (sigla en inglés para Modificaciones del motor).



CÓMO ARRANCAR EL MOTOR



ADVERTENCIA: El sistema Select Reverse™ permite al operador cortar temporalmente en reversa si él o ella considera tal operación absolutamente necesaria y se hayan tomado las medidas de seguridad necesarias. Para su protección, siempre compruebe que estos sistemas están fuADVERTENCIA: El sistema eléctrico tiene dos componentes principales, un sistema de funcionamiento en presencia del operador y un sistema Select Reverse™. El sistema de funcionamiento en presencia del operador determina si el operador se encuentra sentado en el asiento. Este sistema hará parar el motor cuando el operador se levante del asiento.attachment clutch El sistema Select Reverse™ permite al operador cortar temporalmente en reversa si él o ella considera tal operación absolutamente necesaria y se hayan tomado las medidas de seguridad necesarias. Para su protección, siempre compruebe que estos sistemas están funcionando correctamente.

NOTA: El motor no arrancará a menos que usted pise el pedal de embrague y freno, o enganche el freno de estacionamiento y mueva la palanca de embrague de aditamentos a la posición de DESEMBRAGUE.

1. Reconecte el cable a la bujía.
2. Mueva la palanca de control de velocidades a la posición neutro (N).

F-050610L

PRECAUCIÓN: Los combustibles mezclados con alcohol (llamados gasohol o aquellos que usan etanol o metanol), pueden atraer humedad lo cual causa la separación y formación de ácidos durante el almacenamiento de la unidad. La gasolina que contiene ácidos puede dañar el sistema de combustible de un motor mientras la unidad se encuentra almacenada.


Para evitar problemas con el sistema de alimentación de combustible, vacíe éste último antes de guardar la unidad por 30 días continuos o más, siguiendo los pasos siguientes.

1. Drene el tanque de combustible.
2. Encienda el motor. Deje que el motor funcione hasta que las líneas de combustible y el carburador estén vacíos.
3. Después de haber guardado la máquina, asegúrese de utilizar combustible fresco. Consulte las instrucciones de almacenamiento para información adicional.
4. Nunca utilice limpiador de motor o limpiador de carburador en el sistema de alimentación de combustible, ya que podrían ocurrir daños permanentes.

CARBURADOR

Los ajustes de fábrica para el carburador son para la mayoría de las condiciones. Si el motor funciona bajo las condiciones siguientes, puede ajustar la mezcla del carburador. Consulte "Cómo ajustar el carburador" en la sección de Servicio y Ajuste.

1. El motor tiene una pérdida de potencia o no funciona suavemente.
2. Un cambio de operación de verano a invierno.
3. Un cambio en la temperatura de operación de más de 40 grados. El carburador fue ajustado a 80 grados en la fábrica.
4. El motor funciona a una altura superior a 4.000 pies.

3. Asegúrese de que el embrague de cuchilla esté en la posición DESEMBRAGUE. Si el control de rotación de la cuchilla no está en la posición DESENGANCHE, el motor no arrancará.
4. Empuje completamente hacia adelante la palanca de control de aceleración hasta la posición AHOGAR o RÁPIDO. Algunos modelos tienen una perilla de cebado del carburador separada. Tire de la perilla completamente hasta que esté en la posición AHOGAR.
5. Gire la llave de encendido a la posición  ARRANQUE. Suelte la llave cuando el motor arranque. Cuando el motor arranque, suelte la llave de encendido. El interruptor con llave de encendido irá automáticamente a la posición del ajuste preestablecido recomendado MARCHA-CORTE para el corte normal del césped. Consulte "Operación del Interruptor con llave de encendido" en la sección de Operación.

NOTA: Si el motor no arranca después de cuatro o cinco intentos, mueva el acelerador a la posición RÁPIDO. Intente arrancar el motor otra vez. Si el motor no arranca, consulte la TABLA DE LOCALIZACIÓN DE AVERÍAS.

6. Mueva lentamente el control de aceleración a la posición LENTO. Si el modelo tiene un botón cebador separado, presione el botón cebador.
7. Deje que un motor frío esté en marcha durante varios minutos. Comience a cortar el césped una vez que el motor se caliente. Para arrancar un motor caliente, mueva el acelerador a una posición entre RÁPIDO y LENTO.

OPERACIÓN

CÓMO OPERAR, CON EL CÁRTER DE LA CORTADORA



ADVERTENCIA: La cubierta para trituradora es un dispositivo de seguridad. No la quite. El deflector fuerza el material cortado hacia la tierra. Manténgalo siempre en la posición hacia abajo. Si el deflector está dañado, reemplácelo con una pieza original obtenida en un Centro de Servicio Sears.

IMPORTANTE: Cuando opere con el cárter del cortacésped, hágalo siempre con el control de aceleración colocado en la posición RÁPIDO.

1. Empuje el pedal de embrague y freno completamente hacia adelante.
2. Arranque el motor.
3. Mueva la palanca de control de velocidades in la posición NEUTRO.
4. Lentamente suelte el pedal de embrague y freno.
5. Mueva la palanca de elevación a una posición de altura de corte. Cuando la hierba está alta o densa, corte el césped en la posición más alta primero y luego córtelo otra vez con el cárter del cortacésped en una posición más baja.

PRECAUCIÓN: No opere la unidad con el cárter del cortacésped en la posición de AJUSTE DE NIVEL. Si lo hace, el cárter y las cuchillas del cortacésped pueden resultar dañados.

6. Mueva el acelerador a la posición LENTO.
7. Mueva el embrague de aditamento a la posición de ENGANCHADO.
8. Mueva la palanca de control de velocidades hacia adelante.

NOTA: Cuando corta en césped denso o con una bolsa recogedora, opere la unidad a una velocidad de avance más baja.

9. Mueva el control de aceleración a la posición RÁPIDO. Si necesita ir más rápido o más despacio, mueva la palanca de control de velocidades hacia adelante o hacia atrás.
10. Asegúrese de que el nivel de corte ajustado en la fábrica sea correcto todavía. Después de cortar una corta distancia, observe el área que ha sido cortada. Si el cárter de la cortadora no corta de forma pareja, consulte las instrucciones sobre "Cómo nivelar el cárter de la cortadora de césped" en la sección de Servicio y Ajuste.



ADVERTENCIA: Para un mejor control de la unidad, seleccione siempre una velocidad segura.

CÓMO OPERAR LA UNIDAD EN CUESTAS



ADVERTENCIA: No suba ni baje cuestas que son demasiado empinadas para poder retroceder en una línea recta. Nunca maneje la unidad a través de una cuesta. Consulte la "Guía para cuestas" al final de este manual para obtener información sobre cómo evaluar las cuestas.

1. Antes de manejar cuesta arriba o cuesta abajo, mueva la palanca de control de velocidades a una velocidad más baja.
2. No pare la unidad ni cambie las velocidades cuando se encuentre en una cuesta. Si debe parar, empuje rápidamente el pedal de embrague y freno hacia adelante y enganche el freno de estacionamiento.
3. Para arrancar de nuevo, asegúrese de que la palanca de control de velocidades esté en una velocidad más baja. Mueva el control de aceleración a la posición LENTO. Y vaya soltando lentamente el pedal.
4. Si debe parar o arrancar en una cuesta, tenga siempre suficiente espacio para que la unidad ruede cuando suelte el freno y enganche el embrague.
5. Tenga mucho cuidado cuando cambia de dirección sobre una cuesta. Cuando está en una cuesta o en una curva sobre la cuesta, mueva el control de aceleración a la posición LENTO para evitar accidentes.

OPERACIÓN

SUGERENCIAS PARA LA OPERACIÓN

1. Examine el embrague de aditamentos para el ajuste correcto. Para que la cuchilla (o cuchillas) desenganche correctamente, el ajuste debe ser correcto.
2. Antes de usar la unidad, revise el aceite en el motor y añada aceite si es necesario.
3. Si no se enciende el motor, primero asegúrese que esté conectado el cable a la bujía.
4. Asegúrese que todas las correas estén dentro de las guías de correas. Consulte las instrucciones sobre cómo quitar e instalar las correas de transmisión de marcha y de transmisión de la cortadora.
5. Antes de hacer una ejecución una inspección, un ajuste (con excepción del carburador), o una reparación, asegúrese que el cable de la bujía esté desconectado.
6. Asegúrese de que el cable de interruptor del asiento esté conectado. Si el cable no está conectado, no se encenderá el motor.
7. Para una vida más larga de la batería, cárguela cada tres meses.
8. Utilice la palanca de cambios para cambiar la velocidad de vehículo, no el acelerador.
9. El ruido de la correa puede producirse cuando se engancha la cuchilla o el embrague. Este ruido es normal y no afecta la operación de la unidad.
10. Para avanzar, siempre suelte lentamente el pedal de embrague y freno.

SUGERENCIAS PARA EL CORTE Y REGOGIDA DE LA HIERBA

1. Para que el césped luzca mejor, examine el nivel de corte del compartimento de cuchilla. Consulte "Cómo nivelar el cárter del cortacésped" en la sección de Servicio y Ajuste.
2. Para asegurar el nivel correcto de corte, compruebe que los neumáticos tengan una presión de aire adecuada y use poca velocidad cuando esté dando la vuelta.
3. Cada vez que utilice la unidad, examine la cuchilla. Si la cuchilla está torcida o dañada, reemplácela inmediatamente. También, asegúrese que la tuerca para la cuchilla esté apretada.
4. Mantenga la cuchilla (o cuchillas) afilada. Las cuchillas gastadas causarán que las puntas del césped se tornen marrón.
5. No corte ni recoja la hierba cuando el césped esté mojado. La hierba mojada no se descargará correctamente. Permita que el césped se seque antes de cortarlo.
6. Utilice el lado izquierdo del cárter de la cortadora de césped para recortar cerca de algún objeto.
7. Descargue los recortes de la hierba sobre el área cortada. El resultado es una descarga más pareja de los recortes de la hierba.
8. Cuando se cortan áreas grandes, empiece por doblar a la derecha para que los recortes de la hierba se descarguen en sentido opuesto de los arbustos, las cerca, las entradas de autos, etc. Después de una o dos vueltas, corte en la dirección opuesta dando vueltas hacia la izquierda hasta que termine (Figura 54).
9. Siempre que pueda, use un patrón de corte que elimine la necesidad de retroceder.
10. Si el césped está muy alto, córtelo dos veces para disminuir la carga sobre el motor. Primero corte con el cárter de la cortadora de césped en la posición más alta y luego bájelo para el segundo corte.
11. Para un mejor rendimiento del motor y una descarga pareja de los recortes de la hierba, siempre opere el motor con el acelerador en la posición RÁPIDO.
12. Cuando se utiliza una bolsa recogedora, opere el motor con el control de aceleración en la posición RÁPIDO y la palanca de control de velocidades usando una velocidad de avance más lenta.
13. Para un mejor rendimiento del corte y un corte de calidad, corte usando una velocidad de avance más lenta.
14. Después de cada uso, limpie la parte inferior y la parte superior del cárter de la cortadora de césped para un mejor rendimiento. Además, un cárter limpio ayudará a evitar un incendio.

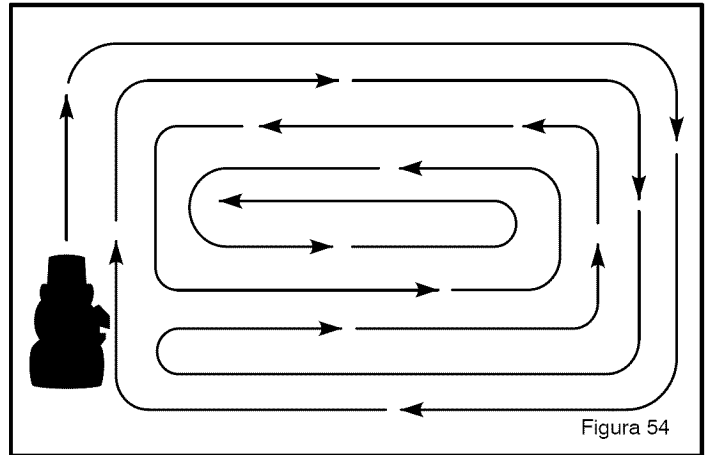


Figura 54

SUGERENCIAS PARA USAR LA TRITURADORA

Cuando se utiliza el aditamento para triturar, se corta la hierba en pedazos muy finitos. Estos pedazos se descompondrán muy rápidamente. El césped necesitará menos abono porque los alimentos nutritivos se vuelven a la tierra. Para triturar la hierba correctamente, siga los pasos a continuación.

1. Ponga el control de aceleración en la posición RÁPIDO. Opere la cortadora en una velocidad más lenta. Si la velocidad es demasiado rápida, el césped no tendrá un corte pareja.
2. Mantenga la cuchilla bien afilada. Una cuchilla desafilada causará que las puntas se tornen marrón.
3. Asegúrese que el césped esté seco. El césped mojado es muy difícil de cortar.
4. Ponga la altura del cárter de la cortadora de césped para que se corte solamente la tercera parte superior del césped. Si el césped es demasiado alto, ponga la altura del cárter a la altura máxima. Entonces, baje el cárter para un segundo corte. Además, en vez de usar la anchura completa del cárter, triture a la mitad de la anchura.
5. Limpie el fondo del cárter de la cortadora de césped. Los recortes de la hierba y otros escombros puede impedir que la cortadora funcione correctamente.
6. Si la hierba crece rápidamente, triture con más frecuencia.
7. Si un área necesita un mejoramiento, triture una segunda vez.

MANTENIMIENTO

TABLA DE MANTENIMIENTO								
PROCEDIMIENTO		Cada uso	Primeras 2 horas	Cada 8 horas	Cada 25 horas	Cada 50 horas	Cada 100 horas	Antes de guardar
C O R T A D O R A	Neumáticos, Revisar				√			
	Cuchilla, Inspeccionar y Afilarse				√			
	Batería, Revisar y Cargar				√			√
	Batería, Limpiar					√		√
	Lubricación					√		√
M O T O R	Aceite, Revisar	√		√				
	Aceite, Cambiar		√		√*	√		
	Sistema de enfriamiento, Limpiar	√					√**	√
	Silenciador, Revisar					√		√
	Filtro de aire, Limpiar				√			
	Filtro de aire, Limpiar						√†	
	Bujía, Revisar					√		√
Bujía, Reemplazar						√		

* Cambiar el aceite cada 25 horas cuando se opera la unidad con mucha carga o a temperaturas muy altas.

** Limpiar a menudo el sistema de enfriamiento si se opera la unidad en condiciones de mucho polvo.

† Si el motor no está equipado con un Filtro de aire de goma espuma, entonces déle servicio al Filtro de aire de papel cada 25 horas de operación.

RECOMENDACIONES GENERALES

1. El propietario es responsable de dar mantenimiento a este producto. Esto alargará la vida de la unidad y también es necesario para mantener la cobertura de garantía.
2. Revise la bujía y el freno motriz, lubrique la unidad, y limpie el filtro de aire una vez al año.
3. Revise los sujetadores. Asegúrese de que todos los sujetadores estén apretados.
4. Siga las indicaciones de las secciones de Mantenimiento y de Servicio y Ajuste para mantener la unidad en buenas condiciones de funcionamiento.



ADVERTENCIA: Antes de hacer una inspección, un ajuste, o una reparación a la unidad, desconecte el cable que va a la bujía. Quite el cable de la bujía para prevenir que el motor se encienda por accidente.

El mantenimiento, reemplazo o reparación de los dispositivos y sistemas del control de emisiones pueden ser realizados en cualquier establecimiento de reparaciones para motores que no son de carretera, o por una persona individual. El mantenimiento regular mejorará el rendimiento y extenderá la vida útil del motor.

REVISIÓN DE LOS NEUMÁTICOS

Revise la presión de aire de los neumáticos. Demasiada presión de aire en los neumáticos hará que la unidad salte. También, la presión de aire incorrecta hará que el cárter de la cortadora de césped corte en forma dispereja. La presión de aire (PSI) correcta aparece indicada en la cara lateral de los neumáticos.

MANTENIMIENTO

INSPECCIÓN DE LA CUCHILLA



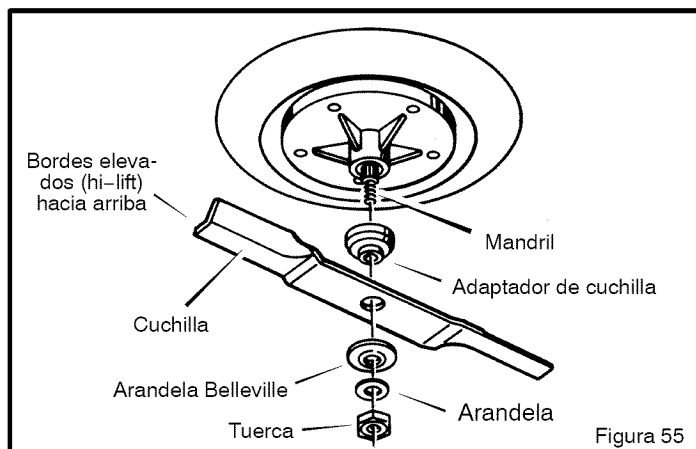
ADVERTENCIA: Antes de inspeccionar o sacar la cuchilla, desconecte el cable de la bujía. Si la cuchilla golpea un objeto, pare el motor. Examine la unidad por si tiene algún daño. La cuchilla tiene orillas muy afiladas. Cuando sujete la cuchilla, use guantes o un pedazo de tela fuerte para proteger sus manos.

Si mantiene la cuchilla afilada y la revisa por si tiene algún daño, la cuchilla cortará mejor y la unidad será más segura de operar. Revise con frecuencia el estado de la cuchilla para detectar desgaste excesivo, grietas u algún otro daño. Revise periódicamente la tuerca que sujeta la cuchilla. Mantenga la tuerca bien apretada. Si la cuchilla golpea un objeto, pare el motor. Desconecte el cable de la bujía. Revise la cuchilla por si estuviera doblada o dañada. Revise el adaptador de la cuchilla por si estuviera dañado. Reemplace cualquier parte dañada con repuestos originales, antes de operar la unidad. Si necesita asistencia técnica, vaya a un Centro de Servicio Sears cercano a usted. Cada tres años, haga que un técnico de servicio cualificado inspeccione o reemplace la cuchilla vieja con una cuchilla de repuesto original.

CÓMO DESMONTAR Y MONTAR LA CUCHILLA

Para sacar

1. Vacíe el tanque del combustible.
2. Levante el lado de la cortadora que contiene el silenciador o la bujía.
3. Mientras afloja la tuerca, use un pedazo de madera para inmovilizar la cuchilla.
4. Saque la **tuerca, arandelas y cuchilla** (vea la Figura 55).



5. Revise la **cuchilla** y el **adaptador de cuchilla** según se indica en las instrucciones de "Inspección de la cuchilla". Reemplace una **cuchilla** muy desgastada o dañada con un repuesto original de fábrica. Consulte con un Centro de Servicio Sears cercano a usted.
6. Limpie el fondo del cárter del cortacésped para quitar todo resto de hierba y basura.

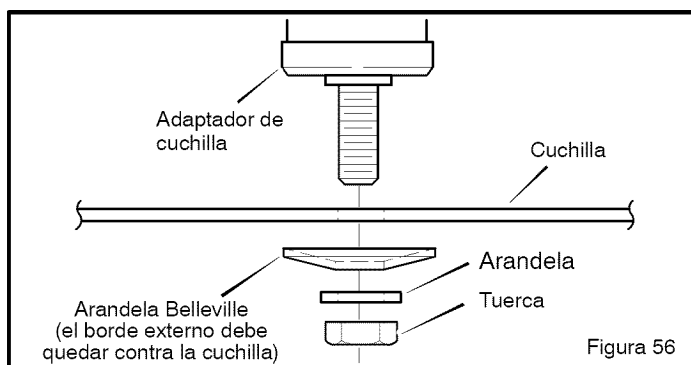
Para instalar

1. Monte la **cuchilla** y el **adaptador de cuchilla** en el **mandril** (Figura 55).
2. Monte la **cuchilla** de manera que los **bordes elevados** queden hacia arriba. Si la **cuchilla** está puesta al revés, ésta no cortará de la manera correcta y podría causar un accidente.
3. Sujete la **cuchilla** con las **arandelas** y **tuerca** originales. Compruebe que el borde externo de la **arandela Belleville** quede contra la **cuchilla** (Figura 56).



ADVERTENCIA: Mantenga siempre apretada la tuerca que sujeta la cuchilla. Una tuerca o cuchilla floja puede causar un accidente.

4. Apriete la tuerca que sujeta la cuchilla con un par de apriete 35 libras-pie.



CÓMO AFILAR LA CUCHILLA



ADVERTENCIA: Si la cuchilla no está bien equilibrada o si está dañada, puede causar vibración en la máquina. Una cuchilla dañada con grietas puede provocar un accidente.

Mantenga la hoja de la **cuchilla** afilada. Una **cuchilla** desafilada hará que las puntas de las briznas de hierba se tornen marrón.

1. Afíle la **cuchilla** dos veces al año o cada 25 horas de uso.
2. Desmonte la **cuchilla** siguiendo las instrucciones que aparecen en la sección "Cómo desmontar y montar la cuchilla".
3. Limpie la **cuchilla** con un cepillo, jabón y agua. Revise la **cuchilla**. Fíjese si tiene grietas, muescas o algún otro daño. Si la **cuchilla** está muy desgastada o dañada, reemplácela con una **cuchilla** de repuesto original. Consulte en un Centro de Servicio Sears de su área.
4. Afíle la **cuchilla** con una **lima** (Figura 57). Asegúrese de mantener ángulo oblicuo original.
5. Compruebe que la **cuchilla** esté bien balanceada. Use un **destornillador** y sujete la **cuchilla** de manera que quede paralela con el **suelo** (Figura 57). Si la **cuchilla** está bien balanceada se mantendrá paralela al **suelo**. Si la **cuchilla** no está bien balanceada, el extremo más pesado girará hacia el **suelo**. Afíle el extremo pesado hasta que la **cuchilla** quede bien balanceada.
6. Una **cuchilla** nueva cortará mejor que una que esté muy desgastada. Cada tres años, haga que un técnico de servicio cualificado inspeccione la **cuchilla** o reemplace la **cuchilla** vieja por una **cuchilla** de repuesto original.
7. Monte las **cuchilla** de acuerdo a las instrucciones que aparecen en la sección "Cómo desmontar y montar la cuchilla".



MANTENIMIENTO

BATERÍA LIBRE DE MANTENIMIENTO

CÓMO DESMONTAR LA BATERÍA

Si necesita cambiar o limpiar la **batería**, desmóntela de la siguiente manera.



ADVERTENCIA. Para evitar que se produzcan chispas, desconecte el cable negro de la batería del borne negativo (-) antes de desconectar el rojo.

ADVERTENCIA. La batería contiene ácido sulfúrico dañino para la piel, los ojos y la ropa. Si el ácido toca el cuerpo o la ropa, lávese con agua.

1. Desconecte el **cable negro** del **borne negativo (-)** (Figura 58).
2. Desconecte el **cable rojo** del borne **positivo (+)**.
3. Empuje el extremo inferior de la **abrazadera de la batería** para desconectarla de la **bandeja**.
4. Desmonte la **batería** desde el lado derecho de la unidad.

CÓMO LIMPIAR LA BATERÍA

1. Desmonte la **batería**.
2. Lávela con un galón de agua mezclada con cuatro cucharadas de bicarbonato de soda. No deje que el agua entre en los elementos de la batería.

3. Limpie los **bornes** y los extremos de los **cables** con un cepillo para cables.
4. Instale la **batería**.
5. Aplique grasa a los **bornes** para prevenir la corrosión.

CÓMO CARGAR LA BATERÍA



ADVERTENCIA. No fume mientras carga la batería. No deje que le lleguen chispas. Los gases del ácido de la batería podrían provocar una explosión.

1. Antes de cargar la **batería** tiene que desmontarla.
2. Use un cargador de 12 voltios para **baterías**. Cárguela a una velocidad de 6 amperios por 1 hora.
3. Instale la **batería**.



ADVERTENCIA: Para evitar que se produzcan chispas, conecte el cable rojo al borne positivo (+) antes de conectar el negro.

4. Conecte el **cable rojo** al **borne positivo (+)** con los sujetadores, como se muestra.
5. Monte el **manguito protector de la batería** al **borne positivo (+)**.
6. Conecte el **cable negro** al **borne negativo (-)** con los sujetadores, como se muestra.

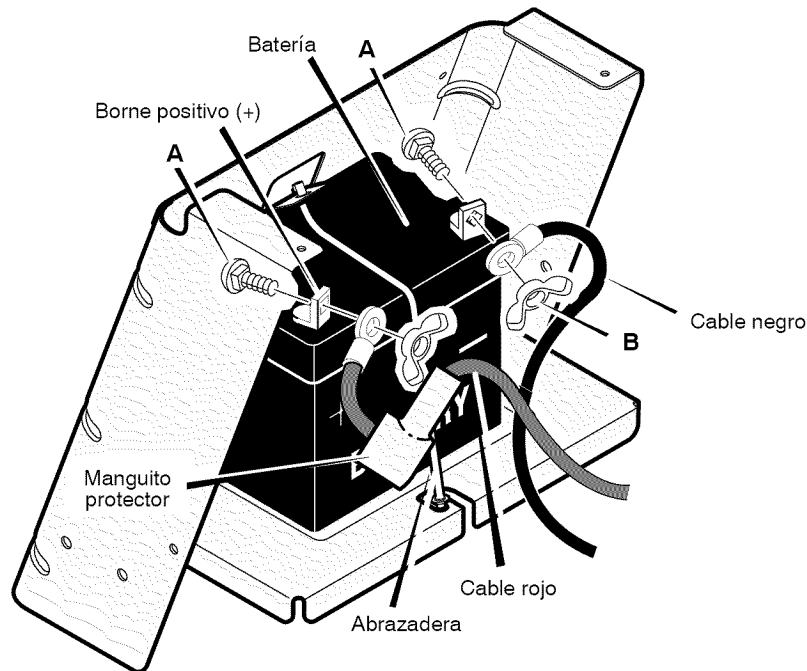


Figura 58

MANTENIMIENTO

DÓNDE LUBRICAR

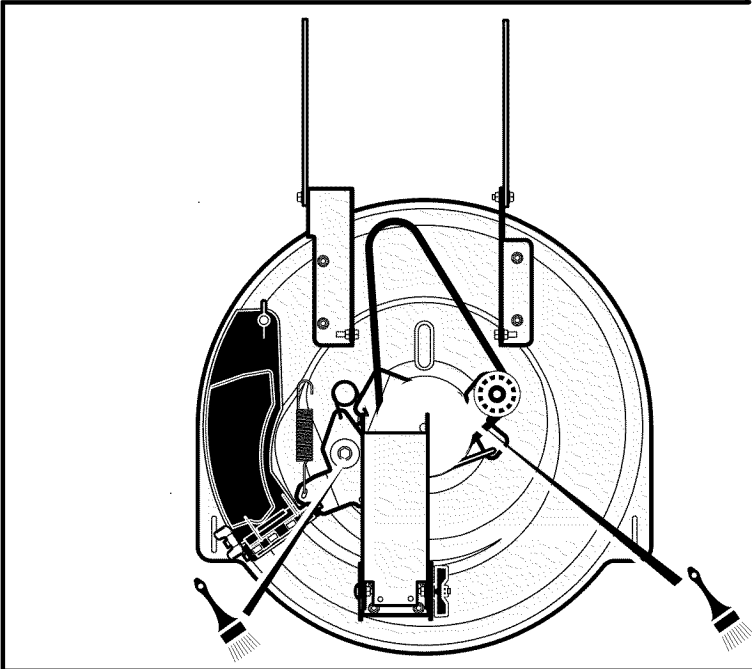
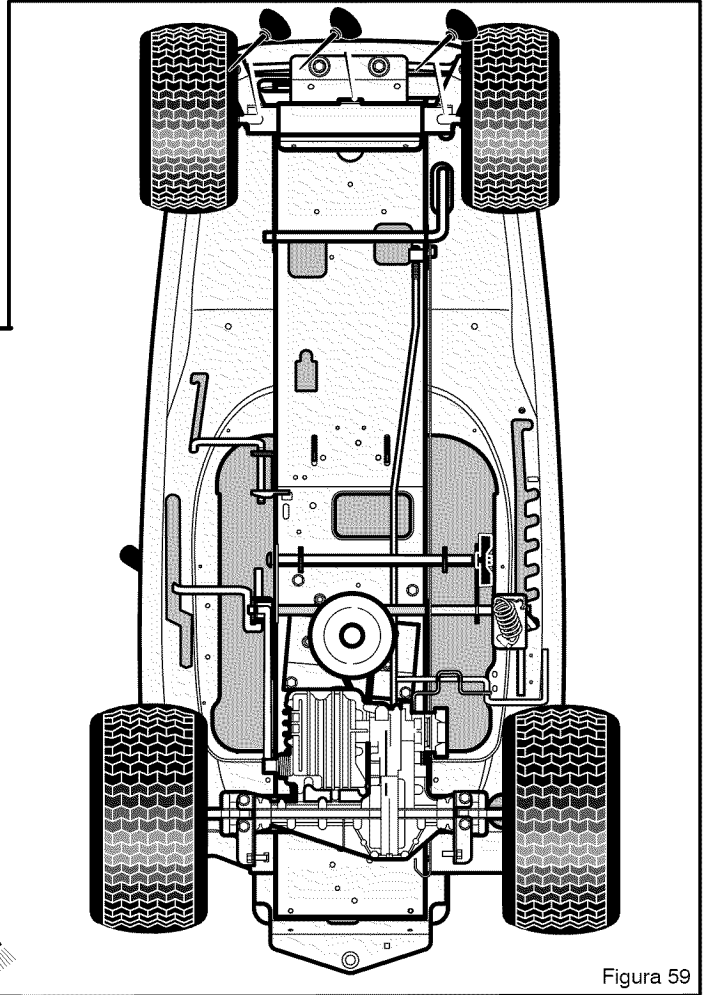


Lubrique con aceite de motor las áreas mostradas.

Aplique grasa con un cepillo a las áreas mostradas.

NOTA: Aplique grasa al ensamblado del mecanismo de dirección.

PRECAUCION: Si la unidad se opera en áreas áridas donde hay arena, utilice polvo de grafito seco para lubricar la unidad.



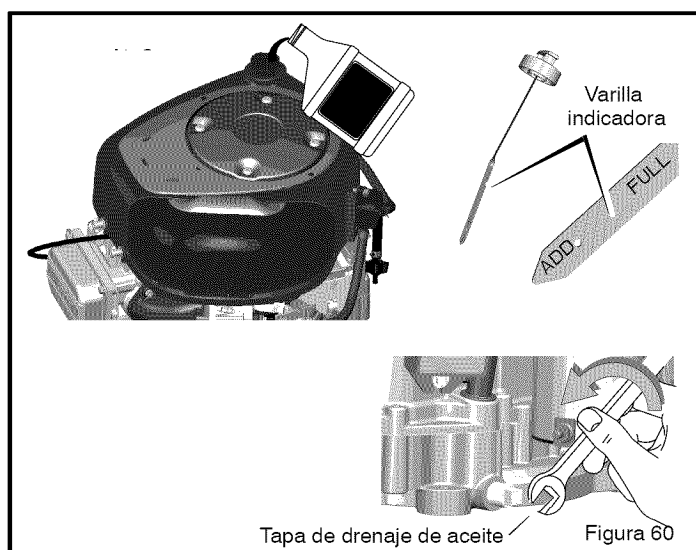
MANTENIMIENTO

MOTOR

CÓMO REVISAR EL ACEITE

NOTA: No revise el nivel del aceite mientras que el motor esté en marcha.

1. Asegúrese de que la unidad esté nivelada.
2. Limpie el área alrededor de la **varilla indicadora de nivel de aceite** (Figura 60). Retire la **varilla indicadora**. Limpie el aceite de la **varilla indicadora**.
3. Inserte la **varilla indicadora** en el tubo para agregar aceite. Gire la **varilla** hacia la derecha hasta que esté apretada. Retire la **varilla**. Revise el nivel del aceite en la **varilla indicadora**. El nivel de aceite debe alcanzar hasta la marca FULL (lleno) en esta **varilla**.
4. Si sea necesario, agregue aceite hasta que el aceite alcance hasta la marca FULL en la **varilla indicadora**. La cantidad de aceite necesaria desde ADD (agregar) a FULL se muestra en la **varilla indicadora**. No agregue demasiado aceite.



Tapa de drenaje de aceite Figura 60

CÓMO CAMBIAR EL ACEITE

NOTA: No drene aceite de un motor frío. Antes de drenar el aceite, deje que el motor funcione durante varios minutos. Asegúrese de no derramar aceite en las correas.

1. Con el motor APAGADO pero todavía caliente, coloque la unidad de manera que el motor quede bien nivelado y desconecte el cable de la bujía.
2. Retire la **tapa de drenaje de aceite**. Drene todo el aceite del motor. Instale y apriete la **tapa de drenaje de aceite**.

CÓMO LIMPIAR EL SISTEMA DE ENFRIAMIENTO

El motor es enfriado por aire. El aire que enfría el motor entra por la **mallita de filtro de aire** encima del motor. Limpie el motor cada 100 horas de funcionamiento o cada año, cumpliendo los pasos siguientes.

1. Retire todo césped, tierra, o escombros de la **mallita de filtro de aire**, usando una tela o un cepillo.
2. Inspeccione el borde de la **cubierta del motor** por si hay césped o escombros. Retire cualquier césped o escombros visibles al borde inferior de la **cubierta del motor**.

3. Utilice solamente un aceite con detergente de alta calidad, valorado con la clasificación SG, SH, SJ o SL de servicio API. Seleccione el grado de viscosidad SAE del aceite de acuerdo con la temperatura operativa anticipada, utilizando la tabla de temperaturas a continuación:



NOTA: El aceite sintético que cumpla con ILSAC GF-2 y que tenga la marca de certificación API y el símbolo de servicio API (que aparece a la izquierda) con "SJ/CF ENERGY CONSERVING" o mayor, es un aceite aceptable para todas las temperaturas. **El uso de aceite sintético no altera los requisitos de los intervalos para el cambio de aceite.**

Grados de viscosidad SAE requeridos

			**	SAE 30				
		5W-30	10W-30	*				
Sintético 5W-30 10W-30								
F	20	0	20	32	40	60	80	100
C	30	20	10	0	10	20	30	40
TABLE DE TEMPERATURES								

* **PRECAUCIÓN:** Los motores enfriados por aire se calientan más que los motores automotrices. El uso de aceites no sintéticos multiviscosidad (5W-30, 10W-30, etc.) en temperaturas sobre los 40° F (4° C) resultará en un consumo de aceite mayor que lo normal. Cuando use aceite multiviscosidad, revise con frecuencia el nivel del aceite.

** **PRECAUCIÓN:** Si se usa aceite SAE 30 en temperaturas menores que 40° F (4° C), resultará en arranques más difíciles y en posible daño de perforación al motor debido a una lubricación inadecuada.

NOTA: Aunque los aceites de multiviscosidad (5W30, 10W30, etc.) mejoran el arranque en un clima frío, estos resultarán en más consumo del aceite cuando se usan en temperaturas superiores a 32° F. Revise el nivel de aceite del motor más frecuentemente para evitar la posibilidad de dañar el motor debido a la falta de aceite.

4. Limpie el área alrededor de la **varilla indicadora del nivel de aceite**. Retire la **varilla** del tubo para agregar aceite. Lentamente vierta aproximadamente 48 onzas (3 pintas) de aceite en el tubo.
5. Inserte la **varilla indicadora del nivel de aceite** en el tubo para agregar aceite. Gire la **varilla** hacia la derecha hasta que esté bien apretada. Retire la **varilla** y revise el nivel de aceite indicado. El nivel de aceite debe alcanzar hasta la marca FULL en la **varilla indicadora**.

CÓMO REVISAR EL SILENCIADOR

Revise el silenciador cada 50 horas. Asegúrese de que el silenciador esté montado correctamente y que no esté flojo. Si el silenciador está gastado o quemado, reemplácelo con un silenciador nuevo. Un silenciador gastado es un riesgo de incendio y también puede dañar el motor.

Si le ha conectado una rejilla parachispas al silenciador, revise también la rejilla parachispas cuando revisa el silenciador. Si la rejilla parachispas está gastada o dañada, reemplácela con una rejilla parachispas nueva que puede comprar en su Centro de Servicio Sears más cercano.

MANTENIMIENTO

CÓMO LIMPIAR LOS FILTROS DE AIRE

NOTA: Nunca ponga en marcha un motor sin los filtros de aire. Los filtros de aire ayudarán a proteger el motor contra el deterioro. Para el tamaño de un filtro de repuesto, consulte la lista de partes para el motor.

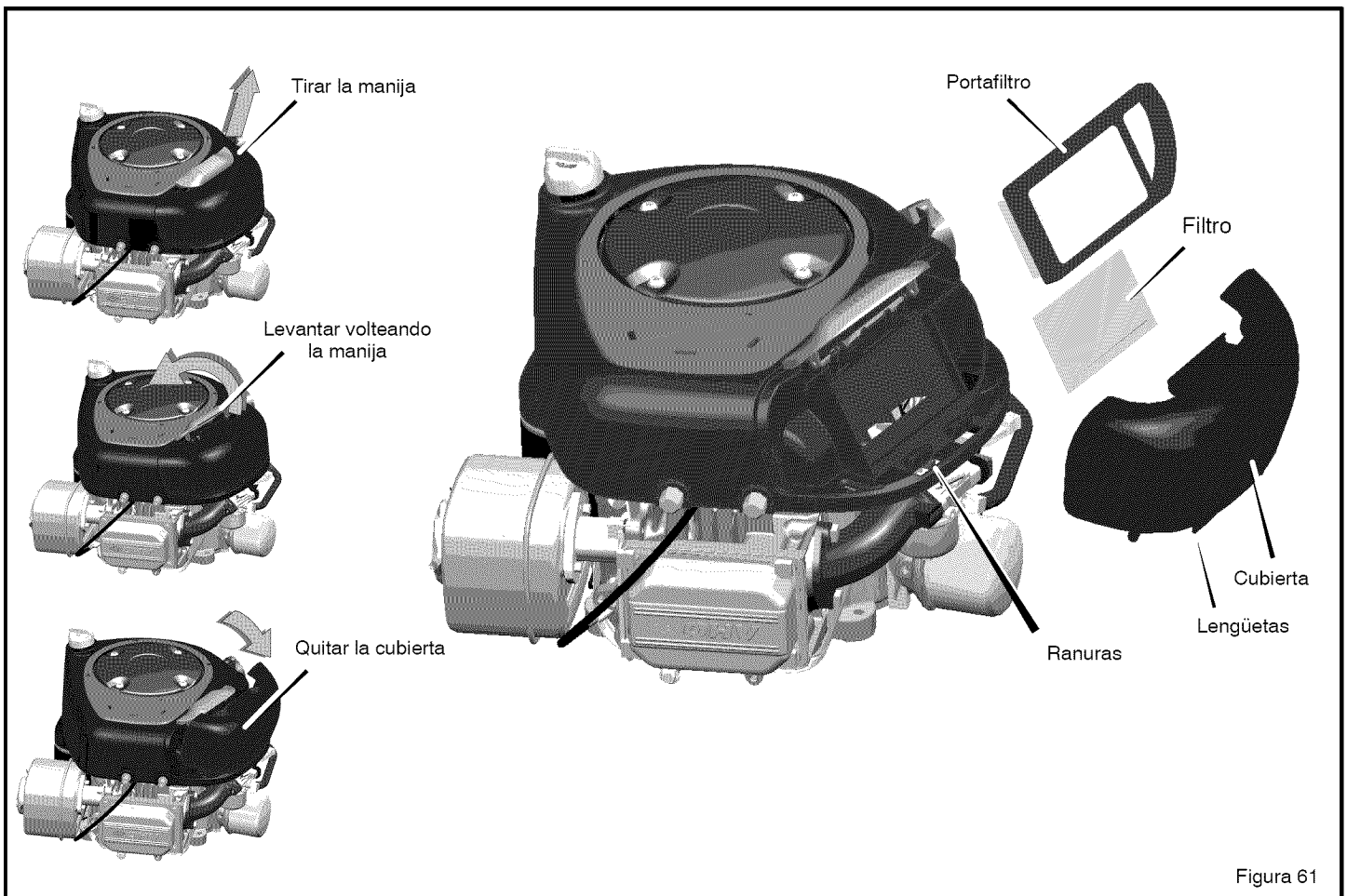
PRECAUCIÓN: No use aire presurizado ni solventes para limpiar el portafiltro. El aire presurizado puede dañar el portafiltro; los solventes lo disolverán.

Si el filtro de aire está marcado con la palabra WASHABLE/LAVABLE, éste se puede lavar con agua tibia y un detergente suave.

IMPORTANTE: Enjuague en agua de la llave con el lado de la MALLA hacia arriba para que salga el polvo y la suciedad. Deje que el filtro se seque durante la noche antes de reinstalarlo.

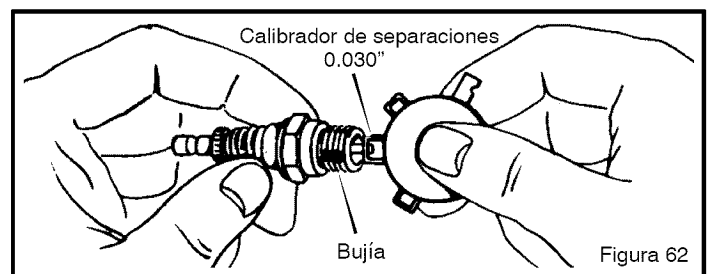
Para sacar / instalar el portafiltro

1. Tire de la **manija** para la cubierta del filtro de aire. Levante volteando la **manija** hacia el motor (Figura 61).
2. Retire la **cubierta**.
3. Levante con cuidado el **portafiltro** y el **filtro**, si es parte del equipo, del cárter de la sopladora.
4. Para prevenir que caiga basura en el carburador, limpie la base del filtro de aire.
5. Instale un **filtro de aire**, si es parte del equipo, y un **portafiltro** nuevos firmemente en la base para el filtro de aire.
6. Alinee las **lengüetas** de la **cubierta** con las **ranuras** del cárter de la sopladora e instale la **cubierta**.
7. Para sujetar la **cubierta**, mueva la **manija** hacia delante y empujela hacia abajo.



CÓMO REVISAR LA BUJÍA

1. Revise la separación de la **bujía** con un **calibrador de separaciones** (Figura 62). La separación correcta es de **0,030"**.
2. Para un arranque fácil y buen rendimiento, reemplace la **bujía** cada estación o cada 100 horas de uso.



SERVICIO Y AJUSTE

CÓMO NIVELAR EL CÁRTER

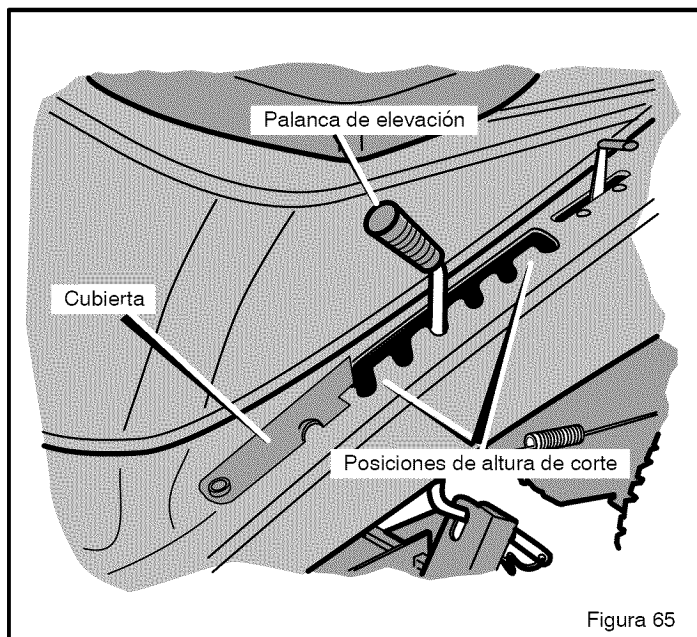
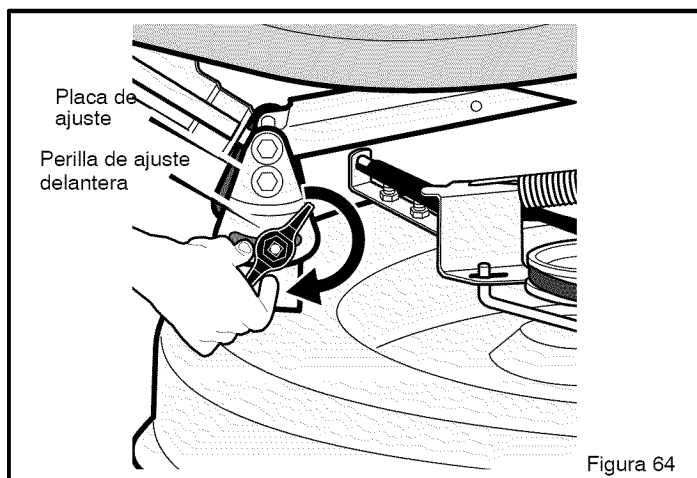
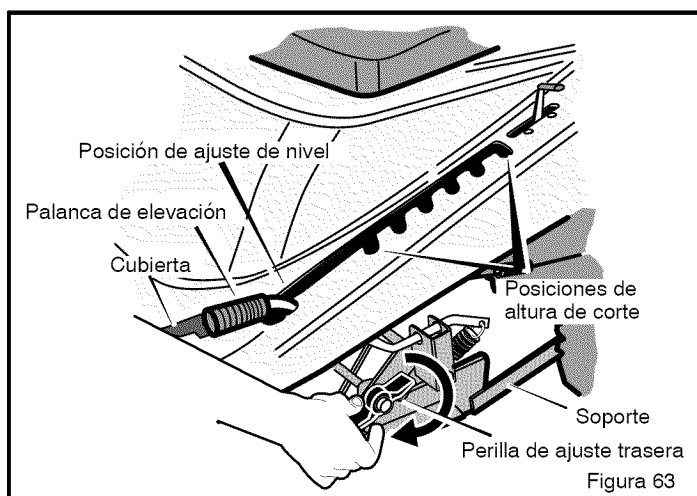
Para que la cuchilla corte con facilidad y el césped tenga mejor aspecto es necesario que el cárter del cortacésped esté nivelado.



ADVERTENCIA. Antes de inspeccionar, ajustar o reparar la unidad, desconecte el cable de la bujía. Esto se hace para evitar que el motor arranque por accidente.

1. Estacione la unidad sobre una superficie plana.
2. Revise la presión de los neumáticos. Si es incorrecta, el cárter no cortará de manera uniforme. La presión de aire correcta aparece indicada en la cara lateral de los neumáticos.
3. Mueva el control de rotación de la cuchilla a la **posición DE-SENGANCHE**.
4. Abra la **cubierta** (Figura 63).
5. Ponga la **palanca de elevación** en la posición de AJUSTE DE NIVEL (Figura 63).
6. Afloje la **perilla de ajuste** trasera y delantera (Figura 23 y Figura 64). Verifique que ambos lados del cárter estén sobre una superficie nivelada.
7. Asegúrese de que la placa de ajuste esté suelta y se pueda mover fácilmente hacia arriba y hacia abajo (Figura 24).
8. Apriete la **perilla de ajuste** delantera y trasera. Apriételas bien. Puede usar una llave si es necesario. Apriételas a un par de torsión de 10 pies-libra (13,5 N-m).
9. Levante la **palanca de elevación** desde la posición de AJUSTE DE NIVEL hasta la posición de ALTURA DE CORTE (Figura 65).
10. Cierre la **cubierta**.
11. Reconecte el cable a la bujía.
12. Corte un tramo corto del césped. Si la altura de corte no es uniforme, repita los pasos anteriores.

PRECAUCIÓN: No opere la unidad con el cárter en la posición de AJUSTE DE NIVEL. Si lo hace, el cárter y las cuchillas del cortacésped pueden resultar dañados.



SERVICIO Y AJUSTE

CÓMO AJUSTAR EL EMBRAGUE DE ADITAMENTO



ADVERTENCIA: El embrague de aditamento tiene que funcionar correctamente para evitar lesiones.

En condiciones normales de uso, no necesitará ajustar el **embrague de aditamento**. Sin embargo, si el cortacésped empieza a funcionar mal y la calidad del corte no es buena, puede hacer lo siguiente.

1. Siempre que vaya a segar el césped, el control de gases tiene que estar en la posición RÁPIDO.
2. Ponga el **embrague de aditamento** en la **posición de DESEMBRAGUE** (Figura 66).
3. Detenga el motor. Desconecte el cable de la bujía.

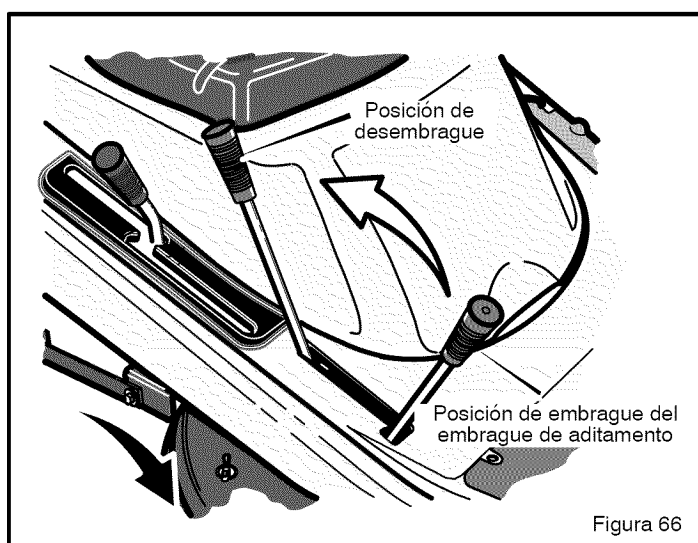


Figura 66

4. Revise las cuchillas. Asegúrese de que estén bien afiladas. Si no lo están, las puntas del césped se secarán.
5. Si aún así el corte no mejora, cambie la **correa de transmisión**. Consulte "Cómo cambiar la correa de transmisión del cortacésped". Si esto no corrige el problema, lleve la unidad a un Centro de Servicio Sears u otro centro de servicio cualificado.
6. Ponga el **embrague de aditamento** en la **posición de DESEMBRAGUE**. Detenga el motor. Desconecte el cable de la bujía.
7. Revise el **freno de la cuchilla**. Gire la polea con la mano. La **zapata del freno** tiene que estar presionada a fondo contra la polea (Figura 67).



ADVERTENCIA: Si la zapata del freno no está presionada a fondo contra la polea, lleve la unidad a un Centro de Servicio Sears u otro centro de servicio cualificado.

8. Ponga el **embrague de aditamento** en la **posición de EMBRAGUE**.
9. Revise la zapata del **freno de la cuchilla**. Si está demasiado desgastada o estropeada, cambie los ensamblajes de la **zapata**. Encontrará las piezas de repuesto correctas y la asistencia que necesite en un Centro de Servicio Sears.
10. Conecte el cable a la bujía. Siegue un trozo pequeño y vuelva a comprobar el funcionamiento del **embrague de aditamento**.
11. Cuando ponga el **embrague de aditamento** en la **posición de DESEMBRAGUE**, todo se debería parar en unos cinco segundos. Si la correa o las cuchillas siguen girando y la **correa de transmisión** es nueva, embrague y desembague el **embrague de aditamento** cinco veces para eliminar el exceso de caucho. Si necesita asistencia, lleve el cortacésped a un Centro de Servicio Sears u otro centro de servicio cualificado.

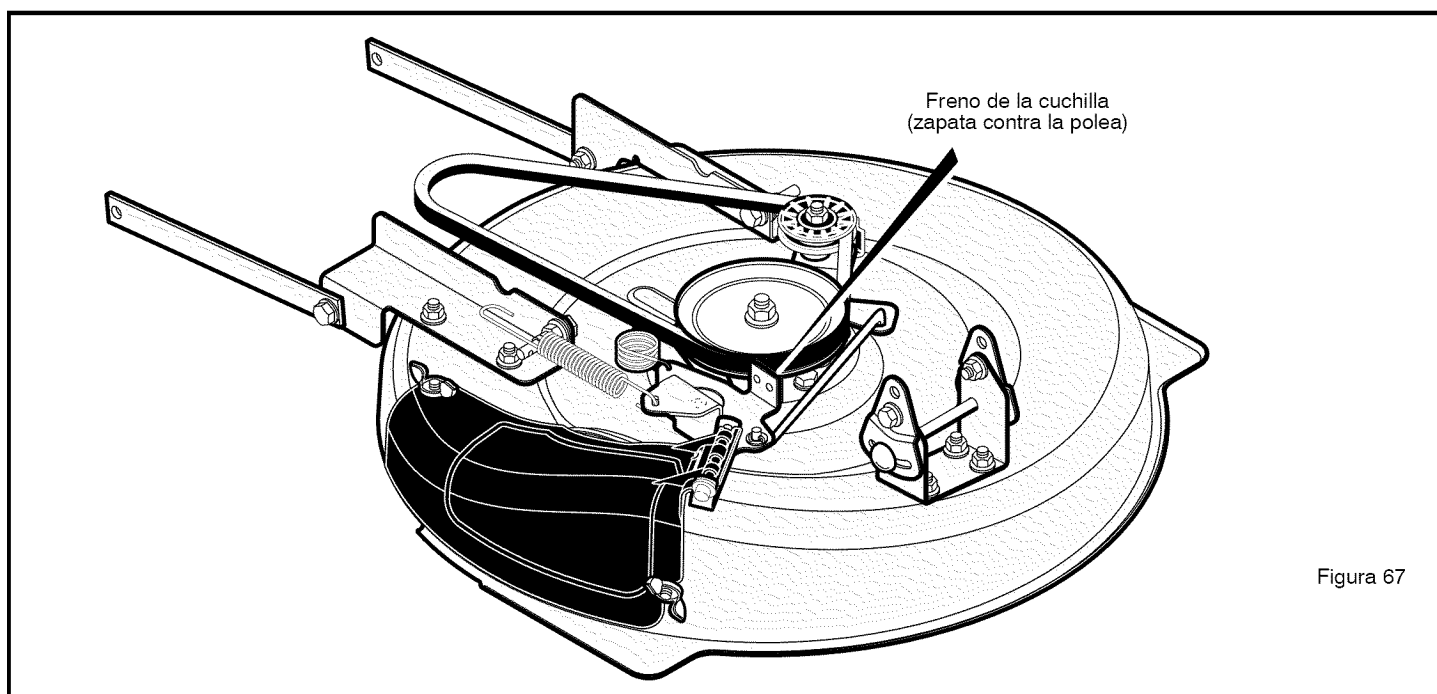


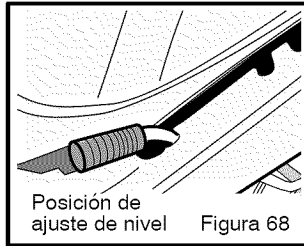
Figura 67

SERVICIO Y AJUSTE

CÓMO DESMONTAR EL CÁRTER

1. Mueva el embrague de aditamento a la posición de DESEMBRAGUE.
2. Coloque la **palanca de elevación** en la posición de ajuste de nivel (Figura 68).

NOTA: La palanca de elevación tiene que estar bloqueada en la posición de AJUSTE DE NIVEL.



3. Quite los pasadores abiertos y las arandelas de las **mordazas traseras** (Figura 69). Vea las ilustraciones C y D.
4. Quite los pasadores abiertos y las arandelas de los **eslabones de suspensión**. Vea las ilustraciones A y B.
5. Desconecte el **resorte de extensión** de la **varilla de control de la cuchilla**. Vea la ilustración E.
6. Desconecte la **silleta delantera** del soporte del armazón. Vea la ilustración F.
7. Separe la **correa de transmisión del cortacésped** de la **polea doble**. Vea la ilustración G.
8. Saque el cárter desde el lado derecho de la unidad.
9. Si usa la unidad sin el cárter, mueva la palanca de elevación a la posición **MÁS ALTA**.

CÓMO INSTALAR EL CÁRTER

1. Empuje el cárter por debajo del lado derecho de la unidad.
2. Ponga la **correa de transmisión** alrededor de la **polea doble**. El lado en forma de "V" de la **correa de transmisión** tiene que estar en contacto con la **polea doble**. Verifique que la **correa de transmisión** no esté retorcida.
3. Conecte la **silleta delantera** al soporte del armazón con la **varilla de la silleta**. Fíjela con los sujetadores como se indica. Vea la ilustración F.
4. La **correa de transmisión** tiene que estar entre la **polea doble** y las dos **guías de la correa**. Vea la ilustración G.
5. Conecte los **eslabones de suspensión** con el **ensamblado del elevador**. Sujételos con las arandelas y los pasadores abiertos. Vea las ilustraciones A y B.
6. Conecte las **mordazas traseras** a los soportes de suspensión. Sujételas con las arandelas y los pasadores abiertos. Vea las ilustraciones C y D.
7. Conecte el **resorte de extensión** a la **varilla de control de la cuchilla**. Vea la ilustración E.
8. Mueva el **embrague de aditamento** a la posición de DESEMBRAGUE. La **correa de transmisión** tiene que quedar dentro de las **guías** y por debajo del **tubo separador**.
9. Verifique que el cárter esté nivelado. Consulte "Cómo nivelar el cárter".
10. Compruebe el funcionamiento del **embrague de aditamento**. Consulte "Cómo ajustar el embrague de aditamentos".

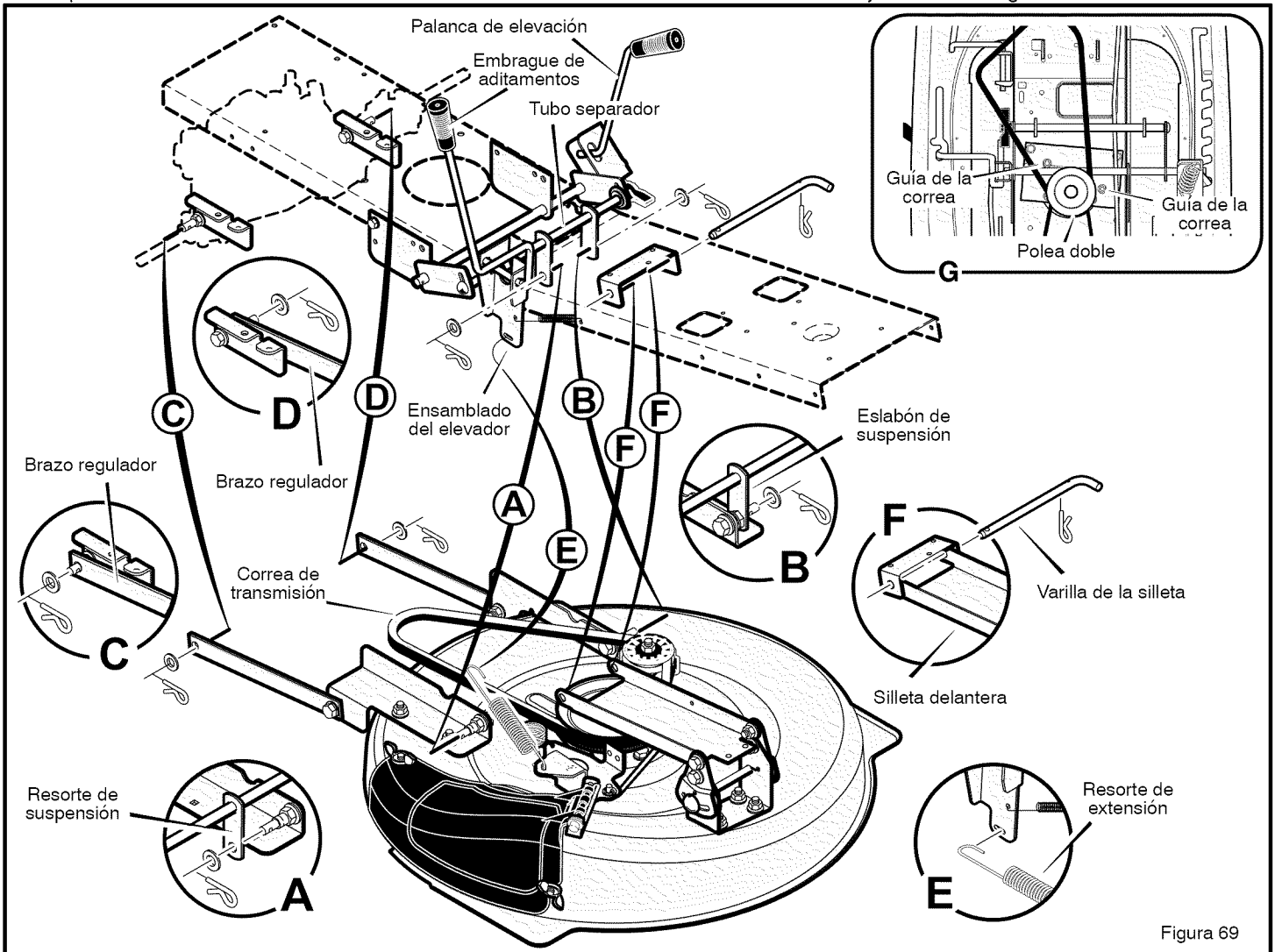


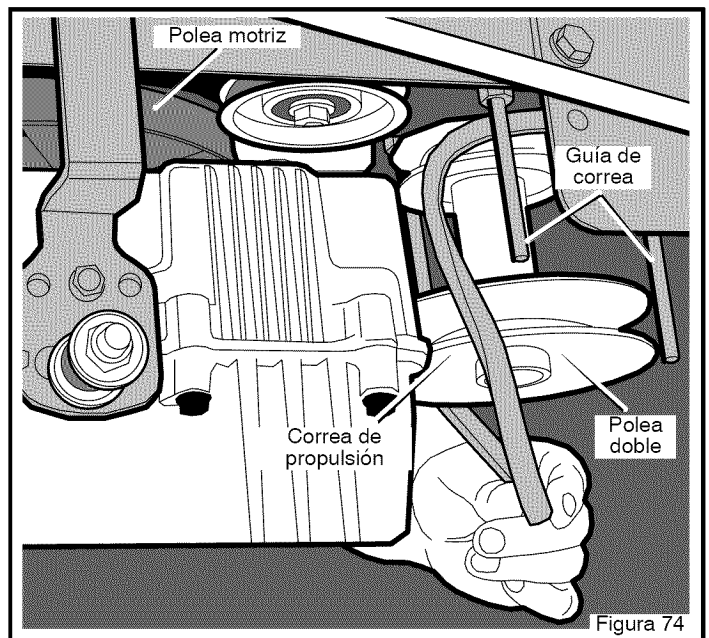
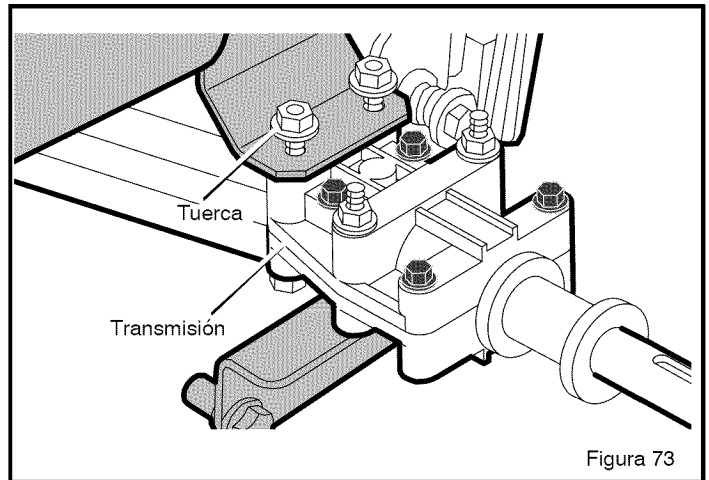
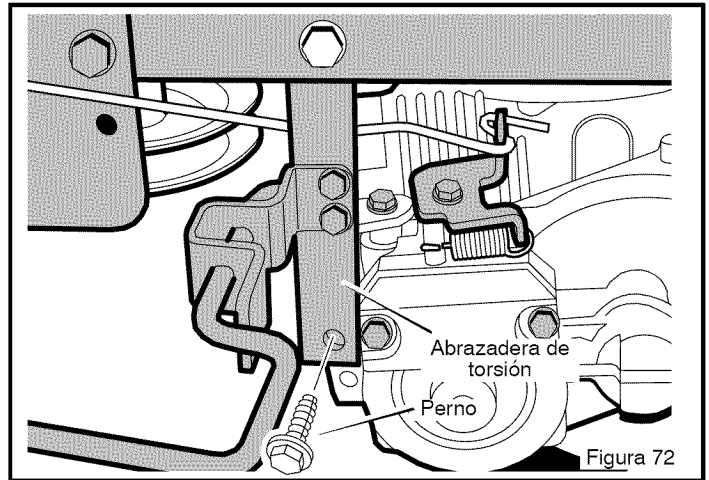
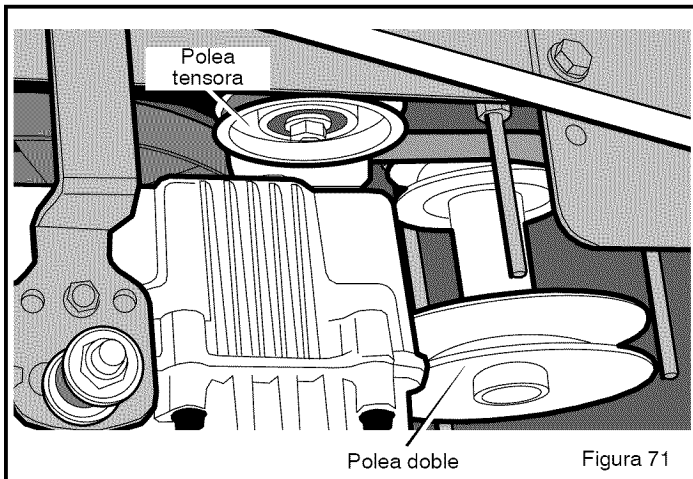
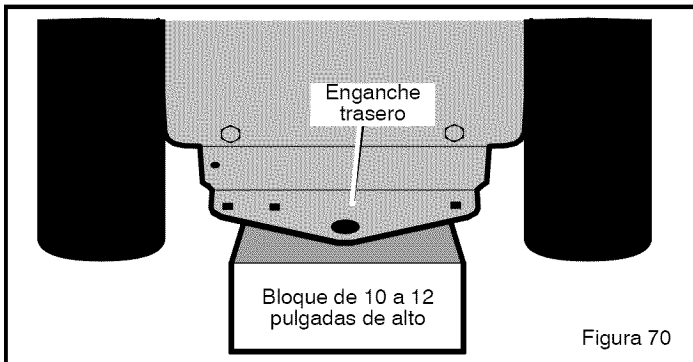
Figura 69

SERVICIO Y AJUSTE

CÓMO REEMPLAZAR LAS CORREA DE PROPULSIÓN

REMOCIÓN DE LA CORREA DE PROPULSIÓN DEL MOTOR

1. Desmonte el cárter del cortacésped. Consulte las instrucciones en la sección "Cómo desmontar el cárter del cortacésped".
2. Coloque el **enganche trasero** sobre un **bloque de 10 a 12 pulgadas**. El bloque debe ser suficientemente alto para levantar las ruedas traseras del suelo (Figura 70).
3. Saque las ruedas traseras.
4. Saque la **polea tensora** (Figura 71).
5. Retire la **perno** de la **abrazadera de torsión** (Figura 72).
6. Afloje las **tuercas** de cada lado de la **transmisión** (Figura 73). No saque las **tuercas**. Aflojelas hasta que las **tuercas** queden en la parte de arriba de los **pernos**.
7. Deslice la parte posterior de la **correa de propulsión** por encima de la **polea motriz** y que salga por delante de la transmisión. Luego, jale la **correa de propulsión** hacia abajo entre las **guías de correa** y la **polea doble** (Figura 74).
8. Para instalar, invierta los pasos anteriores.
9. Instale el cárter del cortacésped. Consulte las instrucciones en "Cómo instalar el cárter del cortacésped".
10. Revise la operación del sistema de transmisión. Consulte "Cómo revisar y ajustar el embrague" y también "Cómo ajustar la palanca de control de velocidades".



SERVICIO Y AJUSTE

CÓMO CAMBIAR LA CORREA DE TRANSMISIÓN DEL CORTACÉSPED

1. Desmonte el cárter del cortacésped. Consulte "Cómo desmontar el cárter".
2. Separe el **retenedor de la correa** de la **polea tensora** y saque la **correa de transmisión** (Figura 75).
3. Separe la **zapata del freno** de la **polea del eje intermedio** y saque la **correa de transmisión del cortacésped**.
NOTA. Reemplace la correa de transmisión con una correa original adquirida en un Centro de Servicio Sears.
4. Instale la **correa de transmisión** nueva. Separe la **zapata del freno** de la **polea del eje intermedio**. Coloque la **correa de transmisión** alrededor de la **polea del eje intermedio**.
5. Separe el **retenedor de la correa** de la **polea tensora**. Coloque la **correa de transmisión** alrededor de la **polea tensora**.
6. El lado en forma de "V" de la **correa de transmisión** tiene que tocar la **polea del eje intermedio** y la **polea tensora**.
7. Instale el cárter del cortacésped. Consulte "Cómo instalar el cárter".
8. Antes de empezar a cortar el césped, revise el ajuste del embrague de aditamentos. Consulte "Cómo ajustar el embrague de aditamentos".

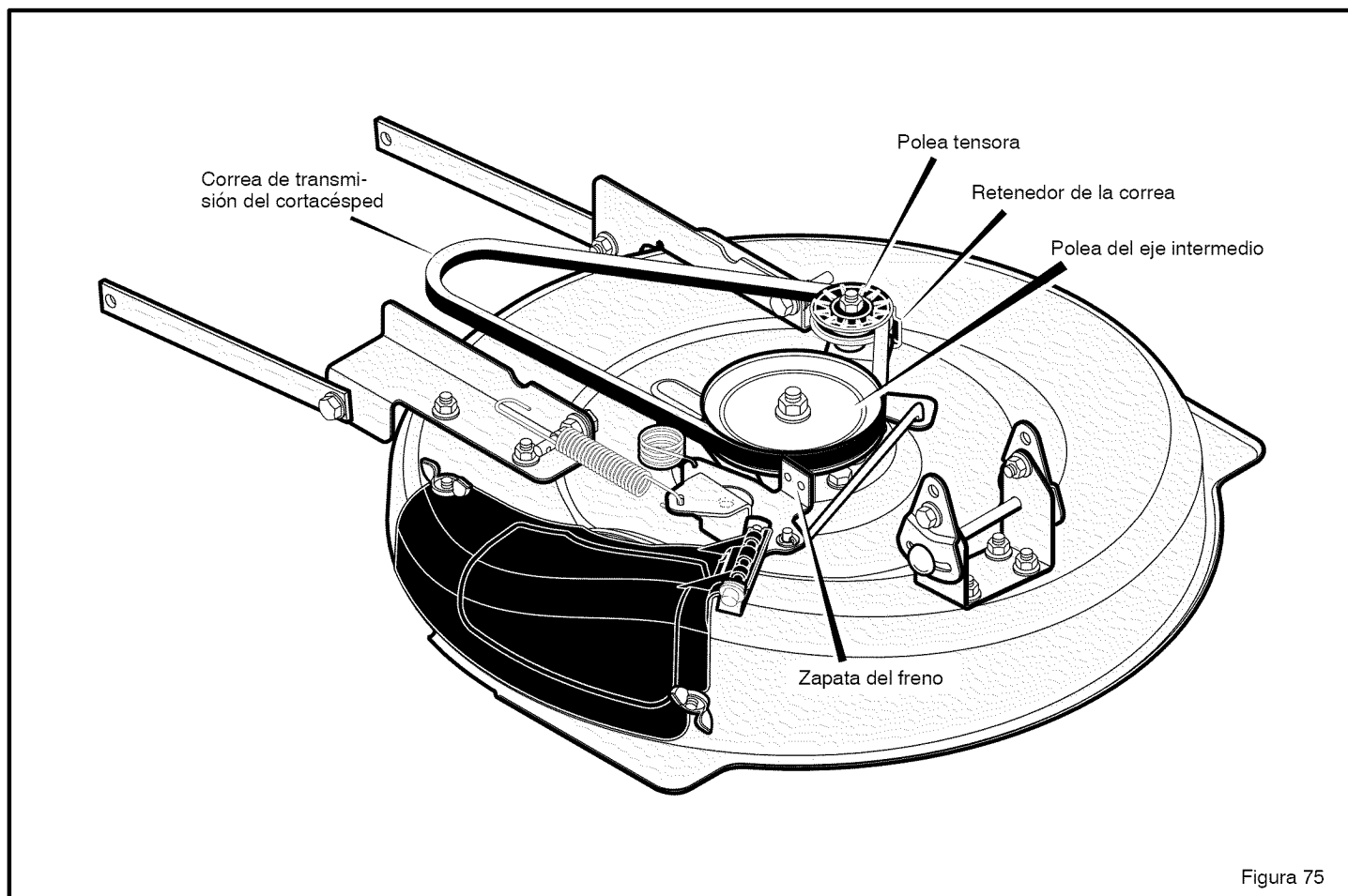


Figura 75

SERVICIO Y AJUSTE

CÓMO AJUSTAR LA PALANCA DE CONTROL DE VELOCIDADES

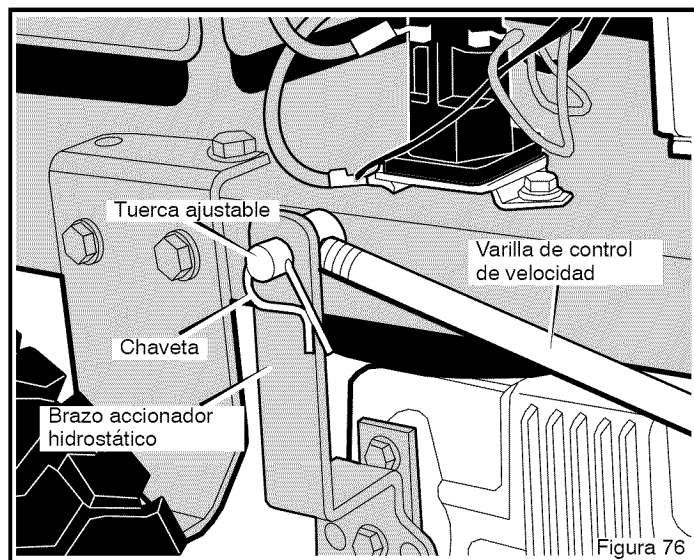


ADVERTENCIA: Antes de inspeccionar, ajustar o reparar la unidad, desconecte el cable de la bujía. Esto se hace para evitar que el motor arranque por accidente.

Puede ser necesario un ajuste de la palanca de control de velocidades si la correa de transmisión se gasta o después de instalar una correa de transmisión nueva. Cuando la palanca de control de velocidades se mueve a la posición NEUTRO, la unidad debe detenerse por completo. Si la unidad no se detiene completamente, realice los ajuste de la manera siguiente.

1. Mueva la palanca de control de velocidades a la posición NEUTRO.
2. Retire la **chaveta** de la tuerca ajustable (Figura 76).
3. Desconecte la **tuerca ajustable** del brazo accionador hidrostático.
4. Si la unidad avanzaba lentamente cuando la palanca de control de velocidades estaba en la posición NEUTRO, entonces gire la tuerca ajustable hacia la derecha (hacia adelante, una o dos vueltas. Esto *acortará* la longitud de la **varilla de control de velocidad**.

5. Si la unidad se movía lentamente hacia atrás cuando la palanca de control de velocidades estaba en la posición NEUTRO, entonces gire la **tuerca ajustable** hacia la izquierda (hacia atrás), una o dos vueltas. Esto *alargará* la longitud de la **varilla de control de velocidad**.
6. Monte la **tuerca ajustable** al **brazo accionador hidrostático** y fíjela con con la **chaveta**.
7. Reconecte el cable a la bujía. Encienda el motor, y dé una vuelta de prueba con la unidad. Asegúrese de que la unidad se detenga completamente cuando se coloca la palanca de control de velocidades en la posición NEUTRO.



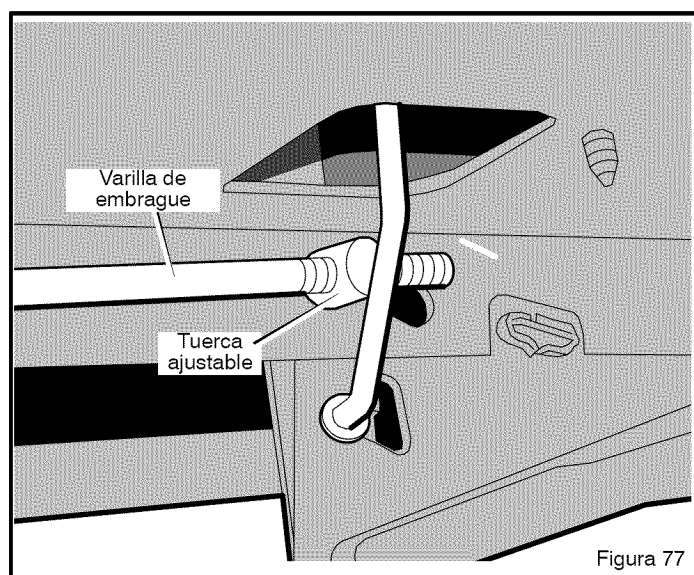
CÓMO REVISAR Y AJUSTAR EL EMBRAGUE

Si la correa de transmisión está suelta, el embrague patinará cuando; (1) suba una cuesta, (2) remolque una carga pesada o (3) la unidad no avanzará. Ajuste el embrague de la manera siguiente.



ADVERTENCIA: Antes de inspeccionar, ajustar o reparar la unidad, desconecte el cable de la bujía. Esto se hace para evitar que el motor arranque por accidente.

1. Retire la chaveta y la arandela de la **tuerca ajustable** (Figura 77).
2. Gire la **tuerca ajustable** hacia la derecha (hacia adelante) para incrementar el movimiento del pedal y apretar la correa.
3. Monte la **tuerca ajustable** y fíjela con la **arandela** y la **chaveta**.
4. Reconecte el cable a la bujía. Encienda el motor y dé una vuelta de prueba a la unidad. Asegúrese de que ni el embrague ni la correa patinen.
5. Si la correa sigue deslizándose después de haber ajustado el embrague, significa que está desgastada o estropeada y tendrá que cambiarla. Consulte "Cómo reemplazar las correas de propulsión".



SERVICIO Y AJUSTE

CÓMO INSTALAR LAS RUEDAS

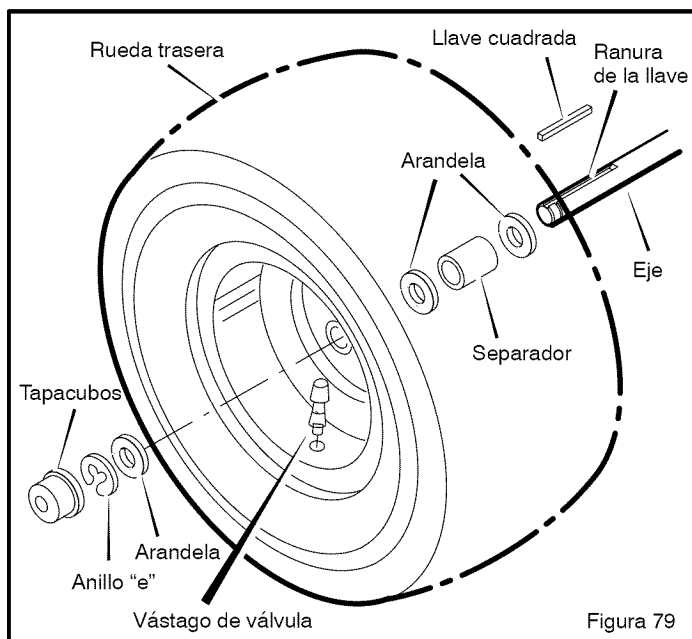
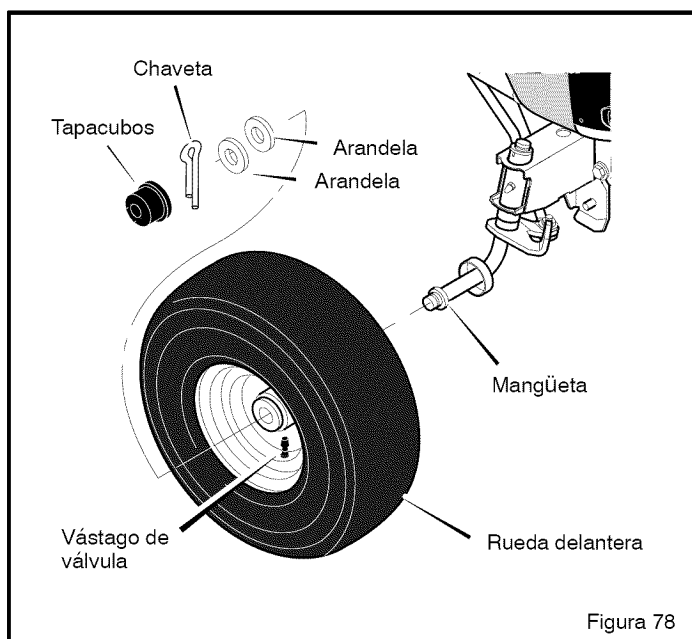
Si necesita sacar las ruedas, vuelva a instalarlas de la siguiente manera.

Rueda delantera

1. El **vástago de válvula** tiene que quedar hacia la parte exterior del tractor. Deslice la **rueda delantera** en la **mangüeta**. (Figura 78).
2. Sujete la **rueda delantera** con la **arandela** y la **chaveta**. Separe los extremos de la **chaveta** para sujetar la **rueda** a la **mangüeta**.
3. Si el modelo lleva **tapacubos**, no deje de instalarlos. Verifique que la **arandela** está sujetándolos en su sitio.

Rueda trasera

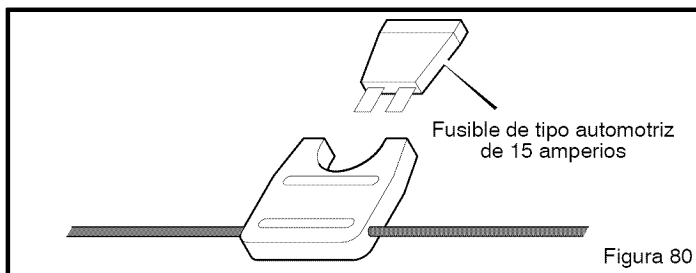
1. Instale las **arandelas** y el **separador** en el **eje** como se muestra en la Figura 79.
2. Monte la **llave cuadrada** en la **ranura de la llave** (Figura 79).
3. El **vástago de válvula** tiene que quedar en la parte exterior del tractor. Alinee la ranura de la **rueda trasera** con la **llave cuadrada**. Deslice la **rueda trasera** en el **eje**.
4. Sujete la **rueda trasera** con la **arandela** y el **anillo "e"**.
5. Si el modelo lleva **tapacubos**, no deje de instalarlos. Verifique que la **arandela** está sujetándolos en su sitio.



SERVICIO Y AJUSTE

CÓMO REEMPLAZAR EL FUSIBLE

Si el fusible está fundido, no se encenderá el motor. La ubicación del fusible está al lado de la batería. Quite el fusible y reemplácelo con un fusible de tipo automotriz de 15 amperios (Figura 80).



CÓMO LIMPIAR EL CÁRTER DE LA CORTADORA DE CÉSPED



ADVERTENCIA: Antes de limpiar el cárter del cortacésped, pare el motor y desconecte el cable a la bujía.

La hierba y otros escombros encima del cárter del cortacésped pueden impedir el funcionamiento correcto de la correa. Para seguridad y operación correcta, limpie la parte superior del cárter con frecuencia. Quite la hierba y los escombros de las poleas y de otras partes móviles.

1. Mueva la palanca para el embrague de aditamentos a la posición de EMBRAGUE.
2. Limpie la parte superior del cárter.
3. Mueva la palanca del embrague de aditamentos a la posición de DESEMBRAGUE.
4. Limpie de nuevo la parte superior del cárter.
5. Después de cortar el césped, limpie la parte inferior del cárter.

ALINEACIÓN DE LAS RUEDAS DELANTERAS

No se puede ajustar la alineación de las ruedas delanteras. Si el mecanismo de dirección está dañado y ha cambiado la alineación, lleve la unidad a su Centro de Servicio Sears más cercano.

ALMACENAMIENTO (por más de 30 días)

Al final de cada año, prepare la unidad para almacenamiento de la siguiente manera.

INSPECCIÓN GENERAL

1. Inspeccione las correas. Si están dañadas o gastadas, reemplácelas con piezas de repuesto de fábrica. Consulte las instrucciones sobre los repuestos de correas en la sección de Servicio y Ajuste.
2. Asegúrese que todas las tuercas, los pernos, y los tornillos estén bien apretados. Inspeccione las partes móviles para ver si están dañadas, si tienen grietas, o si están gastadas. Reemplácelas según sea necesario.

CÁRTER DEL CORTACÉSPED

1. Limpie el cárter del cortacésped. Consulte "Cómo limpiar el cárter del cortacésped".

LUBRICACIÓN DE LA UNIDAD

Vea las instrucciones sobre "Dónde lubricar" en la sección de Mantenimiento.

MOTOR

1. Limpie la tierra y la hierba del motor.
2. Cambie el aceite. Consulte las instrucciones sobre "Cómo cambiar el aceite".
3. Examine el filtro de aire. Consulte las instrucciones sobre "Cómo limpiar el sistema de enfriamiento".
4. Inspeccione la bujía. Consulte las instrucciones sobre "Cómo revisar la bujía".

SISTEMA DE ALIMENTACIÓN DE COMBUSTIBLE



ADVERTENCIA: No drene la gasolina de la cortadora dentro de un edificio ni cerca de un fuego. No fume porque los vapores del combustible podrían causar una explosión.

Durante el almacenaje de la unidad, es importante prevenir la formación de depósitos de resinas en partes esenciales del sistema de combustible tales como el carburador, el filtro de combustible, el conducto o el tanque de combustible. Además, es importante saber que los combustibles mezclados con alcohol (llamados gasohol o aquellos que contienen etanol o metanol) pueden atraer humedad que puede producir la separación y la formación de ácidos durante el almacenaje de la unidad. El combustible que contiene ácidos puede dañar el sistema de combustible de un motor mientras se encuentra almacenado.

NOTA: Un estabilizador de combustible (como STA-BIL) es una alternativa aceptable para reducir la formación de resinas en el tanque de combustible y el recipiente para guardar gasolina. Siempre respete las proporciones indicadas en el recipiente del estabilizador. Deje el motor en marcha durante por lo menos 10 minutos después de agregar el estabilizador para permitir que el estabilizador llegue al carburador. No drene el tanque de combustible y el carburador si se utiliza estabilizador.

Si no utiliza un estabilizador, haga lo siguiente:

1. Encienda el motor.
2. Deje el motor en marcha hasta que el tanque de combustible y el carburador no tengan combustible y el motor se apague.
3. No deje combustible en el tanque de combustible o en el carburador. El combustible puede dañar la función del sistema de alimentación de combustible.
4. Después del almacenamiento, asegúrese de utilizar combustible fresco.

BATERIA

1. Retire la batería.
2. Limpie cualquier depósito en los bornes de la batería.
3. Cargue la batería. Consulte las instrucciones sobre "Cómo revisar y cargar la batería".
4. Guarde la batería en un lugar fresco y seco.

NOTA: Después de un largo período de almacenamiento, cargue la batería.

TABLA DE LOCALIZACION DE AVERIAS

PROBLEMA: El motor no se enciende.

1. Siga los pasos de "Cómo encender el motor" en este manual.
2. Electric-Start Models: Limpie los bornes de la batería. Apriete los cables.
3. Drene el tanque de combustible. Limpie la línea de combustible. Reemplace el filtro de combustible.
4. Quite la bujía(s). Mueva el acelerador a la posición LENTO. Gire la llave de encendido a la posición ENCENDIDO. Intente encender el motor varias veces. Instale la bujía.
5. Reemplace la bujía con un repuesto nuevo.
6. Ajuste el carburador.

PROBLEMA: El motor no da vueltas.

1. Siga los pasos de "Cómo Encender el Motor" en este libro.
2. Verifique el nivel de ácido en la batería. Si es necesario, agregue agua. Cargue la batería.
3. Reemplace el fusible con un respuesto nuevo.
4. Inspeccione el cableado preformado para ver si tiene algún daño o una conexión floja. Repare todo cable dañado.
5. Modelos de Arranque Eléctrico: reemplace el solenoide con un repuesto nuevo. Modelos de Arranque Manual: reemplace el módulo.

PROBLEMA: El es difícil encender el motor.

1. Ajuste el carburador.
2. Reemplace la bujía.
3. Reemplace el filtro de combustible.

PROBLEMA: El motor no funciona suavemente o tiene una pérdida de fuerza.

1. Revise el aceite.
2. Limpie el filtro de aire.
3. Limpie la malla del filtro de aire.
4. Reemplace la bujía.
5. El motor está funcionando demasiado fuerte. Utilice una velocidad más baja.
6. Ajuste el carburador.
7. Reemplace el filtro de combustible.

PROBLEMA: El motor no funciona suavemente a una velocidad alta.

1. Reemplace la bujía.
2. Ajuste el acelerador.
3. Limpie el filtro de aire.
4. Reemplace el filtro de combustible.

PROBLEMA: El motor se apaga cuando se hacen funcionar las cuchillas.

1. Revise el cableado preformado para ver si tiene algún daño o una conexión floja. Repare todo cable dañado.
2. La transmisión está en marcha atrás. Antes de operar en marcha atrás, mueva el control de rotación de la cuchilla a la posición **DESENGANCHADO**.

PROBLEMA: Sobre cuestras, el motor se apaga.

1. En cuestras, corte el césped en línea directa hacia arriba y hacia abajo. Nunca corte el césped a través de una cuestra.

PROBLEMA: El motor no funciona en vacío.

1. Reemplace la bujía.
2. Limpie el filtro de aire.
3. Ajuste el carburador.
4. Ajuste el acelerador.
5. Drene el tanque de combustible. Limpie la línea de combustible. Reemplace el filtro de combustible.

PROBLEMA: Un motor caliente causa una disminución de fuerza.

1. Limpie la malla del filtro de aire.
2. Revise el aceite.
3. Ajuste el carburador.

4. Reemplace el filtro de combustible.

PROBLEMA: Vibración excesiva.

1. Reemplace la cuchilla.
2. Verifique si hay pernos del motor que están flojos.
3. Disminuya la presión de aire en los neumáticos.
4. Ajuste el carburador.
5. Verifique si existe una correa dañada o una polea dañada. Reemplace las piezas dañadas.

PROBLEMA: El césped no se descarga correctamente.

1. Apague el motor. Limpie el cárter de la cortadora.
2. Suba la altura de corte.
3. Reemplace o afile las cuchillas.
4. Mueva la palanca de cambios a una velocidad más baja.
5. Mueva el acelerador a la posición de RÁPIDO.
6. Reemplace el resorte para la polea tensora de cuchilla.

PROBLEMA: El cárter de la cortadora no corta a nivel.

1. Revise la presión de aire en los neumáticos.
2. Ajuste el nivel del cárter de la cortadora.
3. Revise el eje delantero. Si el eje delantero no gira libremente, afloje los pernos del eje.

PROBLEMA: Las cuchillas de la cortadora no rotan.

1. Revise la correa de transmisión de la cortadora. Asegúrese de que la correa esté instalada correctamente.
2. Reemplace la correa de transmisión de la cortadora.

PROBLEMA: La unidad no se mueve cuando se hace funcionar el embrague.

1. Revise la correa de transmisión. Asegúrese de que la correa esté instalada correctamente.
2. Ajuste el embrague.
3. Reemplace la correa de transmisión.

PROBLEMA: La unidad se mueve más despacio o se para cuando se engancha el embrague.

1. Ajuste el embrague.
2. Reemplace la correa de transmisión.

PROBLEMA: Cuando se suelta el pedal de freno/embrague, se puede oír ruido de correas.

1. Ruido temporal de las correas no afecta el funcionamiento de la unidad. Si el ruido de las correas es continuo, examine el enrutamiento de la correa. Asegúrese de que la correa esté dentro de todas las guías de correas.
2. Si el ruido es continuo, ajuste el embrague.

PROBLEMA: Las ruedas traseras resbalan sobre terreno desnivelado.

1. Revise el eje delantero. Si el eje delantero no gira libremente, afloje los pernos del eje.

PROBLEMA: El motor se para cuando el operador se levanta del asiento.

1. Esto es normal. El sistema de funcionamiento en presencia del operador está diseñado para permitir que la unidad funcione solamente si el operador está ocupando el asiento.

PROBLEMA: El motor se para cuando se selecciona la marcha atrás.

1. Antes de seleccionar la marcha atrás, mueva el control de rotación de la cuchilla a la posición **DESENGANCHADO**. Consulte la sección Operación para más detalles.

PROBLEMA: Es difícil que el eje transversal se mueva entre cambios cuando el motor está en marcha y se aplica el embrague.

1. Compruebe el ajuste del embrague para asegurarse de que la correa se pare cuando se oprime el pedal con el eje transversal en (N) neutro.
2. Revise las guías de correa alrededor de la polea motriz del eje transversal. Asegúrese de que las guías de la correa no toquen la polea.

Sears, Roebuck and Co., U.S.A. (Sears), Junta de Recursos Ambientales de California (CARB) y Agencia de Protección Ambiental de los Estados Unidos (U.S. EPA) Declaración de la Garantía del Sistema de Control de Emisiones (Derechos y Obligaciones del Propietario de la Garantía de Defectos)

LA COBERTURA DE LA GARANTÍA DEL CONTROL DE EMISIONES ES APLICABLE A LOS MOTORES CERTIFICADOS QUE HAYAN SIDO COMPRADOS EN CALIFORNIA A PARTIR DE 1995 Y DESPUÉS DE ESTA FECHA, LOS CUALES SEAN USADOS EN

CALIFORNIA, Y PARA LOS MOTORES CERTIFICADOS MODELOS 1997 EN ADELANTE QUE SEAN COMPRADOS Y USADOS EN OTRA PARTE DE LOS ESTADOS UNIDOS (Y A PARTIR DE ENERO 1 DE 2001 EN CANADA).

Declaración de la Garantía de Defectos del Sistema de Control de Emisiones de California, Estados Unidos y Canadá

La Junta de Recursos Ambientales (CARB), La Agencia de Protección Ambiental de los Estados Unidos U.S. EPA y Sears se complacen en explicarles la Garantía del Sistema de Control de Emisiones de su motor pequeño modelo 2000 en adelante para uso en terrenos sin pavimento (SORE). En California, los nuevos motores pequeños para uso en terrenos sin pavimento deben ser diseñados, fabricados y equipados para cumplir los rigurosos estándares anti-smog del Estado. En cualquier otra parte de los Estados Unidos, los nuevos motores de encendido por chispa para no uso en carreteras modelos 1997 y posteriores, deben cumplir estándares similares a los establecidos por la Agencia de Protección Ambiental de los Estados Unidos (U.S. EPA). Sears debe garantizar el sistema de control de emisiones en su motor

por los períodos de tiempo listados abajo, teniendo en cuenta que no haya habido abuso, negligencia o mantenimiento no apropiado en su motor pequeño para uso en terrenos sin pavimento.

Su sistema de control de emisiones incluye partes tales como el carburador, el filtro de aire, el sistema de encendido, el mofle y el convertidor catalítico. También puede incluir conectores y otros conjuntos relacionados con el sistema de emisiones.

Siempre que exista una condición de garantía, Sears reparará su motor pequeño para uso en terrenos sin pavimento sin ningún costo para usted incluyendo el diagnóstico, las partes y la mano de obra.

Cobertura de la Garantía de Defectos del Sistema de Control de Emisiones Sears

Los motores pequeños para uso en terrenos sin pavimento se garantizan relativo a los defectos de las partes del sistema de control de emisiones durante un período de dos años, sujeto a las provi-

siones establecidas abajo. Si alguna de las partes bajo cobertura en su motor se encuentra defectuosa, la parte será reparada o reemplazada por Sears.

Responsabilidades del Propietario de la Garantía

Como propietario de un motor pequeño para uso en terrenos sin pavimento, usted es responsable de que se lleve a cabo el mantenimiento requerido el cual se indica en sus Instrucciones de Mantenimiento y Operación. Sears le recomienda guardar todos sus recibos que cubran el mantenimiento en su motor pequeño para uso en terrenos sin pavimento, pero Sears no solo puede negar la garantía por la falta de recibos sino por su omisión al asegurar la realización de todo el mantenimiento programado.

Usted es responsable de presentar su motor pequeño para uso en terrenos sin pavimento a un Distribuidor de Servicio Autorizado Sears tan pronto se presente el problema. Las reparaciones bajo garantía indisputables deben completarse en un período de tiempo razonable que no se exceda de 30 días.

No obstante, como propietario de un motor pequeño para uso en terrenos sin pavimento, usted tiene que darse cuenta que Sears puede negarle la cobertura de la garantía si su motor pequeño para uso en terrenos sin pavimento o una de sus partes ha fallado debido a abuso, negligencia, mantenimiento incorrecto o modificaciones no aprobadas

Si usted tiene algunas preguntas relacionadas con los derechos y responsabilidades de la garantía, debe contactar a un Representante de Servicio Sears marcando el teléfono: 1-414-259-5262.

La garantía de emisiones es una garantía de defectos. Los defectos son juzgados en el desempeño normal de un motor. La garantía no está relacionada con una prueba de emisiones en uso.

Provisiones de la Garantía de Defectos del Sistema de Control de Emisiones Sears

Las siguientes son provisiones específicas relativas a la Cobertura de Garantía de Defectos del Sistema de Control de Emisiones. Es una adición de la garantía del motor Sears para los motores no-regulados encontrados en las Instrucciones de Mantenimiento y Operación.

1. Partes Garantizadas

La cobertura bajo esta garantía se extiende únicamente a las partes listadas abajo (partes de los sistemas de control de emisiones) hasta la extensión que estas partes fueron presentadas en el motor comprado.

- a. Sistema de Medición de Combustible
 - Sistema de Enriquecimiento de Arranque en Frío (estrangulación suave)
 - Carburador y Partes Internas
 - Bomba de Combustible
- b. Sistema de Inducción de Aire
 - Filtro de Aire
 - Múltiple de Admisión
- c. Sistema de Encendido
 - Bujía(s)

- d. Sistema Catalizador
 - Convertidor Catalítico
 - Múltiple de Escape
 - Sistema de Inyección de Aire o Válvula de Pulsación
- e. Items Varios Usados en los Sistemas Anteriores
 - Vacío, Temperatura, Posición, Válvulas Sensitivas de Tiempo y Suiches
 - Conectores y Conjuntos
2. Duración de la Cobertura

Sears garantiza al propietario inicial y a cada comprador subsecuente que las Partes Garantizadas estarán libres de defectos en materiales y mano de obra la cual haya ocasionado fallas de las Partes Garantizadas por un período de dos años a partir de la fecha en que es entregado el motor a un comprador detallista.
3. Sin Costo

La reparación o cambio de cualquier Parte Garantizada se llevará a cabo sin costo alguno para el propietario, incluyendo la labor de diagnóstico la cual conduce a la determinación de que esa Parte Garantizada es defectuosa, si el trabajo de diagnóstico es realizado en un Centro de Servicio Autorizado Sears.

Para servicio de garantía de emisiones contacte su Centro de Servicio Autorizado Sears más cercano listado en las "Páginas Amarillas" bajo "Motores, Gasolina", "Motores a Gasolina", "Máquinas Cortacésped" o en una categoría similar.

4. Reclamos y Exclusiones de la Cobertura

Los reclamos de la garantía se completarán de acuerdo con las provisiones de la Póliza de Garantía del Motor Sears. La cobertura de la garantía estará excluida para fallas de las Partes Garantizadas las cuales no sean partes originales Sears o por abuso, negligencia o mantenimiento incorrecto según se establece en la Póliza de Garantía del Motor Sears. Sears no se hace responsable de cubrir fallas de Partes Garantizadas ocasionadas por el uso de adición de partes, partes no-originales o partes modificadas.

5. Mantenimiento

Cualquier parte garantizada la cual no esté programada para cambio al realizar el mantenimiento requerido o la cual esté pro-

gramada únicamente para una inspección regular por el efecto de "repare o cambie si es necesario" se garantizará por defectos durante el período de la garantía. Cualquier Parte Garantizada la cual esté programada para cambio por el mantenimiento requerido se garantizará únicamente por defectos durante el período de tiempo hasta el primer cambio programado para esa parte. Cualquier repuesto que sea equivalente en desempeño y durabilidad puede ser usado al llevar a cabo toda tarea de mantenimiento o reparación. El propietario es responsable de la realización de todo el mantenimiento requerido, según se define en las Instrucciones de Mantenimiento y Operación Sears.

6. Cobertura Consecuente

La cobertura aquí establecida se extenderá hasta la falla de cualquiera de los componentes del motor ocasionada por la falla de cualquier Parte Garantizada que aún se encuentre bajo garantía.

In the USA and Canada, a 24 hour hot line, **1-800-469-4663**, has a menu of pre-recorded messages offering you engine maintenance information.

Busque el Período de Durabilidad de Emisiones y la Información del Índice de Aire Pertinentes en su Etiqueta de Emisiones del Motor

Los motores que son certificados para cumplir con las Normas de Emisiones Etapa 2 de la Junta de Recursos Ambientales de California (CARB) deben mostrar la información referente al Período de Durabilidad de Emisiones y al Índice de Aire. Sears, Roebuck and Co., U.S.A. n hace que esta información esté disponible para el consumidor en nuestras etiquetas de emisiones. La etiqueta del motor indicará la información de certificación.

El **Período de Durabilidad de Emisiones** describe el número de horas del tiempo real de operación para el cuál está certificado el motor por cumplir con las emisiones, asumiendo un mantenimiento apropiado de acuerdo con las Instrucciones de Mantenimiento y Operación. Se utilizan las siguientes categorías:

- Moderado:** El motor es certificado para cumplir con las emisiones durante 125 horas del tiempo real de operación del motor.
- Intermedio:** El motor es certificado para cumplir con las emisiones durante 250 horas del tiempo real de operación del motor.
- Prolongado:** El motor es certificado para cumplir con las emisiones durante 500 horas del tiempo real de operación del motor.

Por ejemplo, una máquina cortacésped de arrastrar típica es usada de 20 a 25 horas por año. Por lo tanto, el **Período de Durabilidad de Emisiones** de un motor con una clasificación **intermedia** se igualaría de 10 a 12 años.

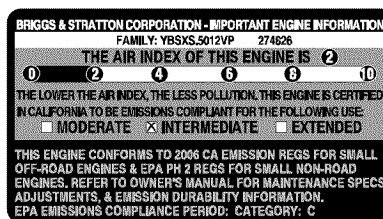
El **Índice de Aire** es un número calculado que describe el nivel relativo de emisiones para una familia específica de motores. Mientras más bajo sea el **Índice de Aire**, más limpio será el motor. Esta información es mostrada en forma gráfica en la etiqueta de emisiones.

Después de Julio 1, 2000, Busque el Período de Conformidad de Emisiones en la Etiqueta de Conformidad de Emisiones del Motor

Después de Julio 1, 2000 ciertos motores Sears, Roebuck and Co., U.S.A. estarán certificados por cumplir con las normas de emisiones Fase 2 de la Agencia de Protección Ambiental de los Estados Unidos (USEPA). Para los motores certificados Fase 2, el Período de Conformidad de Emisiones al cual se refiere la Etiqueta de Conformidad de Emisiones indica el número de horas de operación para las cuales el motor ha demostrado que cumple con los requerimientos Federales de emisiones. Para motores con un desplazamiento inferior a 225 cc, Categoría C = 125 horas, B = 250 horas y A = 500 horas. Para motores con un desplazamiento de 225 cc o superior, Categoría C = 250 horas, B = 500 horas y A = 1000 horas.

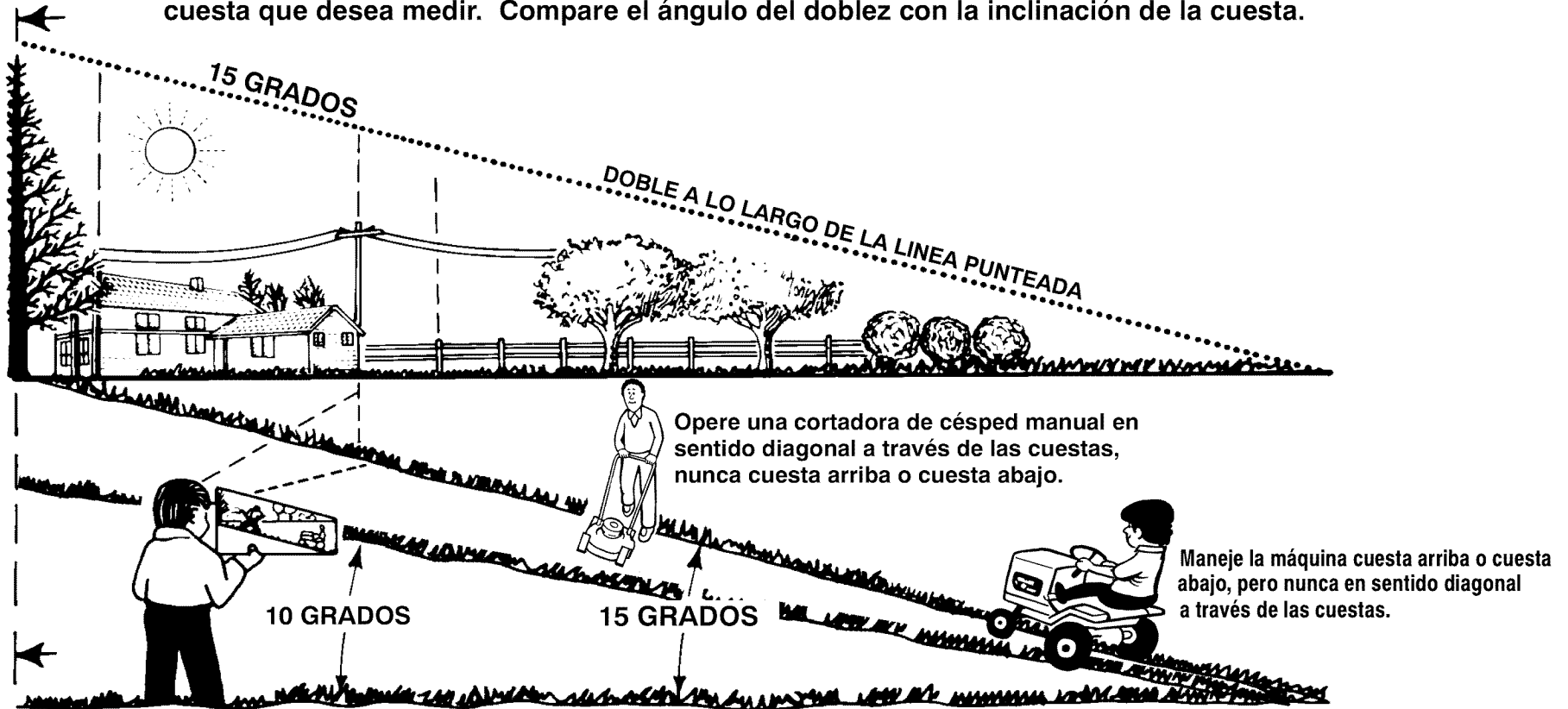
- El desplazamiento de los motores Modelos Serie 90000 es 148 cc.
- El desplazamiento de los motores Modelos Serie 120000 es 206 cc.
- El desplazamiento de los motores Modelos Serie 190000 es 319 cc.
- El desplazamiento de los motores Modelos Serie 200000 es 305 cc.
- El desplazamiento de los motores Modelos Serie 210000 es 342 cc.
- El desplazamiento de los motores Modelos Serie 280000 es 465 cc.

Esta es una representación genérica de una etiqueta de emisiones típicamente encontrada en un motor certificado.



GUIA DE INCLINACION

Doble esta hoja a lo largo de la línea de puntos indicada más abajo. Sostenga la hoja frente a usted de manera que el borde izquierdo quede paralelo al tronco de un árbol u otra estructura erecta. Mire hacia el frente sobre el dobléz en la dirección de la inclinación de la cuesta que desea medir. Compare el ángulo del dobléz con la inclinación de la cuesta.



Si se encuentra en el tractor cortacésped y quiere determinar si la cuesta es segura para cortar el césped: (1) desenganche la cuchilla(s), (2) ponga la unidad en marcha atrás, y (3) trate de retroceder en subiendo la cuesta en forma directa. Si puede subir retrocediendo, esto indica que generalmente el seguro cortar el césped a ese grado de inclinación. Sin embargo, si usted no se siente seguro, o no está completamente seguro, use esta guía para determinar el ángulo de inclinación de la cuesta.



ADVERTENCIA: Para evitar posibles lesiones graves, no corte el césped en una cuesta que tenga una inclinación mayor de 15 grados. Si se usa en tractor cortacésped con un aditamento de remolque o de enganche, no opere el tractor en cuestas que tengan una inclinación mayor de 10 grados.

INDICE

A

- Aceite
 - Cambiar, 88
 - Revisar, 81 , 88
 - Tipo, 81
- Aditamento para descarga lateral,
 - Instalar, 80
- Aditamentos, 74
- Ajustes
 - Cárter, Nivelar, 90
 - Embrague, 95
- Alineación de ruedas, 97
- Altura de corte
 - Ajustar, 90
 - Cambiar, 76

B

- Batería
 - Almacenamiento, 97
 - Cargar, 86
 - Desmontar, 86
 - Instalar, 71
 - Limpiar, 86
 - Revisar, 71
- Botón de control de aceleración,
 - Operación, 75
- Bujía, 89

C

- Cárter
 - Ajustar el nivel, 90
 - Desmontar, 92
 - Instalar, 92
- Cárter de la cortadora,
 - Operación, 82
- Cárter de la cortadora de césped,
 - Altura de corte, 76
- Cárter del cortacésped, Limpiar, 97
- Combustible, Tipo, 81
- Control de velocidad, Ajustar, 95
- Controles, Símbolos internacionales, 69
- Correa
 - Correa de transmisión principal,
 - Ajustar, 95
 - Transmisión
 - Ajustar, 95
 - Cambiar, 94
- Correa de propulsión,
 - Reemplazar, 93
- Correa de transmisión
 - Ajustar, 95
 - Cambiar, 94
- Correa de transmisión principal,
 - Ajustar, 95
- Cubierta de la trituradora, Retirar, 80
- Cuchilla
 - Afilar, 85
 - Desmontar y montar, 85
 - Inspección, 85

D

- Desconexión automática, Operación,
 - 72 , 77

E

- Embrague
 - Ajustar, 95
 - Revisar, 95

F

- Filtro, Aire, 89
- Freno de estacionamiento
 - Operación, 75
 - Ubicación, 73
- Fusible, 97

G

- Garantía, 63
- Guía de inclinación, 102

I

- Interruptor de encendido,
 - Ubicación, 73

L

- Lubricación
 - Cortadora, 87
 - Motor, 88

M

- Malla de filtro de aire, 88
- Mantenimiento
 - Batería
 - Cargar, 86
 - Limpiar, 86
 - Bujía, 89
 - Cárter
 - Desmontar, 92
 - Instalar, 92
 - Nivelar, 90
 - Cárter del cortacésped,
 - Limpiar, 97
 - Correa, Transmisión, 94
 - Correa de propulsión,
 - Reemplazar, 93
 - Cuchilla, 85
 - Embrague, 95
 - Filtro, Aire, 89
 - Fusible, 97
 - Instalar, Ruedas, 96
 - Lubricación, 87
 - Silenciador, 88
- Motor
 - Aceite, 72 , 81 , 88
 - Almacenamiento, 97
 - Arrancar, 81
 - Botón de control de aceleración, 75
 - Combustible, 72 , 81
 - Lubricación, 88
 - Parachispas, 72
 - Preparación, 72

- Rejilla parachispas, 88
- Silenciador, 88
- Sistema de enfriamiento, 88

O

- Operación
 - Aditamentos, 74
 - Arrancar el motor, 81
 - Botón de control de aceleración, 75
 - Cárter de la cortadora, 82
 - Cómo transportar la unidad, 79
 - Corte y recogida de la hierba, 83
 - Desconexión automática, 72 , 77
 - Parar la Unidad, 75
 - Freno de estacionamiento, 73 , 75
 - Interruptor de encendido, 73
 - Operación del Interruptor con llave de encendido, 74
 - Operar en cuestas, 82
 - Palanca de cambios, 73
 - Palanca de control de aceleración, 73
 - Palanca de elevación, 73 , 76
 - Pedal de control de velocidad, 78
 - Pedal de embrague y freno, 73
 - Trituradora, 83
 - Ubicación de Controles, 73
- Operación del Interruptor con llave de encendido, Operación, 74

P

- Palanca de cambios, Ubicación, 73
- Palanca de control de aceleración,
 - Ubicación, 73
- Palanca de elevación
 - Operación, 76
 - Ubicación, 73
- Parachispas, 72
- Pedal de control de velocidad,
 - Operación, 78
- Pedal de embrague y freno,
 - Ubicación, 73
- Presión de aire en los neumáticos, 72 , 84

R

- Reglas de Seguridad,
 - Instituto de Estándares Nacionales de Estados Unidos de América, 66-67
- Rejilla parachispas, 88

S

- Silenciador, 88
 - Rejilla parachispas, 88
- Símbolos internacionales, 69
- Sistema eléctrico de seguridad, 74

T

- Tabla de Localización de Averías, 98
- Tabla de Mantenimiento, 84
- Trituradora, Operación, 83

Get it fixed, at your home or ours!

Your Home

For repair – **in your home** – of **all** major brand appliances, lawn and garden equipment, or heating and cooling systems, **no matter who made it, no matter who sold it!**

For the replacement parts, accessories and owner's manuals that you need to do-it-yourself.

For Sears professional installation of home appliances and items like garage door openers and water heaters.

1-800-4-MY-HOME® (1-800-469-4663)

Call anytime, day or night (U.S.A. and Canada)

www.sears.com www.sears.ca

Our Home

For repair of carry-in items like vacuums, lawn equipment, and electronics, call or go on-line for the location of your nearest

Sears Parts & Repair Center.

1-800-488-1222

Call anytime, day or night (U.S.A. only)

www.sears.com

To purchase a protection agreement on a product serviced by Sears:

1-800-827-6655 (U.S.A.)

1-800-361-6665 (Canada)

Para pedir servicio de reparación a domicilio, y para ordenar piezas:

1-888-SU-HOGARSM

(1-888-784-6427)

Au Canada pour service en français:

1-800-LE-FOYER^{MC}

(1-800-533-6937)

www.sears.ca

SEARS

® Registered Trademark / TM Trademark / SM Service Mark of Sears, Roebuck and Co.

® Marca Registrada / TM Marca de Fábrica / SM Marca de Servicio de Sears, Roebuck and Co.

^{MC} Marque de commerce / ^{MD} Marque déposée de Sears, Roebuck and Co.

© Sears, Roebuck and Co.