

Owner's Manual



# LAWN TRACTOR

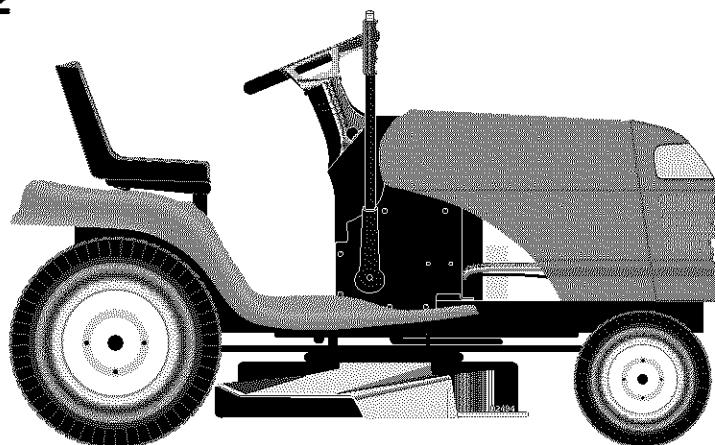
17.0 HP, 42" Mower

Electric Start

Automatic Transmission

Model No.

**917.273142**



**This product has a low emission engine which operates differently from previously built engines. Before you start the engine, read and understand this Owner's Manual.**

## **IMPORTANT:**

Read and follow all Safety Rules and Instructions before operating this equipment.

For answers to your questions about this product, Call:

**1-800-659-5917**

Sears Craftsman Help Line  
5 am - 5 pm, Mon - Sat

Sears, Roebuck and Co., Hoffman Estates, IL 60179 U.S.A

Visit our Craftsman website: [www.sears.com/craftsman](http://www.sears.com/craftsman)

## TABLE OF CONTENTS

|                              |    |                              |            |
|------------------------------|----|------------------------------|------------|
| Warranty .....               | 2  | Maintenance Schedule .....   | 18         |
| Safety Rules .....           | 3  | Service and Adjustments..... | 23         |
| Product Specifications ..... | 6  | Storage .....                | 29         |
| AssemblyPre-Operation .....  | 8  | Troubleshooting .....        | 30         |
| Operation.....               | 11 | Repair Parts.....            | 34         |
| Maintenance .....            | 18 | Sears Service .....          | Back Cover |

## WARRANTY

### LIMITED WARRANTY ON CRAFTSMAN RIDING EQUIPMENT

For two (2) years from the date of purchase, if this Craftsman Riding Equipment is maintained, lubricated and tuned up according to the instructions in the owner's manual, Sears will repair or replace free of charge any parts that are found to be defective in material or workmanship according to the guidelines of coverage listed below. Sears will also provide free labor for these applicable warranted parts for the two full years. During the first 30 days of purchase, there will be no charges to service the product at your home for issues covered by this warranty. (See exclusions below). For your convenience, IN HOME warranty service will still be available after the first 30 days of purchase, but a trip charge will apply. This charge will be waived if the Craftsman product is dropped off at an authorized Sears location. For the nearest authorized Sears location, please call 1-800-4-MY-HOME®. This warranty applies only while this product is within the United States.

This Warranty does not cover:

- Expendable items which become worn during normal use, including but not limited to blades, spark plugs, air cleaners, belts, and oil filters.
- Standard Maintenance Servicing, oil changes, or tune-ups.
- Tire replacement or repair caused by punctures from outside objects, such as nails, thorns, stumps, or glass.
- Repairs necessary because of operator abuse, including but not limited to, damage caused by towing objects beyond the capability of the riding equipment, impacting objects that bend the frame or crankshaft, or over-speeding the engine.
- Repairs necessary because of operator negligence, including but not limited to, electrical and mechanical damage caused by improper storage, failure to use the proper grade and amount of engine oil, failure to keep the deck clear of flammable debris, or failure to maintain the equipment according to the instructions contained in the owner's manual.
- Engine (fuel system) cleaning or repairs caused by fuel determined to be contaminated or oxidized (stale). In general, fuel should be used within 30 days of its purchase date.
- Normal deterioration and wear of the exterior finishes, or product label replacement.
- Riding equipment used for commercial or rental purposes.

### LIMITED WARRANTY ON BATTERY

For ninety (90) days from date of purchase, if any battery included with this riding equipment proves defective in material or workmanship and our testing determines the battery will not hold a charge, Sears will replace the battery at no charge. During the first 30 days of purchase, there will be no charges to replace the battery at your HOME. After the first 30 days, for your convenience, IN-HOME warranty service will still be available but a trip charge will apply. This charge will be waived if the Craftsman product is dropped off at an authorized Sears location. For the nearest authorized Sears location, please call 1-800-4-MY-HOME®.

This battery warranty applies only while this product is within the United States.

This warranty gives you specific legal rights, and you may also have other rights, which vary, from state to state.

Sears, Roebuck and Co., Dept. 817WA, Hoffman Estates, IL 60179

# SAFETY RULES

**IMPORTANT:** This cutting machine is capable of amputating hands and feet and throwing objects. Failure to observe the following safety instructions could result in serious injury or death.

**⚠️ WARNING:** In order to prevent accidental starting when setting up, transporting, adjusting or making repairs, always disconnect spark plug wire and place wire where it cannot contact spark plug.

**⚠️ WARNING:** Do not coast down a hill in neutral, you may lose control of the tractor.

**⚠️ WARNING:** Tow only the attachments that are recommended by and comply with specifications of the manufacturer of your tractor. Use common sense when towing. Operate only at the lowest possible speed when on a slope. Too heavy of a load, while on a slope, is dangerous. Tires can lose traction with the ground and cause you to lose control of your tractor.

**⚠️ WARNING:** Engine exhaust, some of its constituents, and certain vehicle components contain or emit chemicals known to the State of California to cause cancer and birth defects or other reproductive harm.

**⚠️ WARNING:** Battery posts, terminals and related accessories contain lead and lead compounds, chemicals known to the State of California to cause cancer and birth defects or other reproductive harm.

**Wash hands after handling.**

## I. GENERAL OPERATION

- Read, understand, and follow all instructions in the manual and on the machine before starting.
- Only allow responsible adults, who are familiar with the instructions, to operate the machine.
- Clear the area of objects such as rocks, toys, wire, etc., which could be picked up and thrown by the blade.
- Be sure the area is clear of other people before mowing. Stop machine if anyone enters the area.
- Never carry passengers.
- Do not mow in reverse unless absolutely necessary. Always look down and behind before and while backing.

- Be aware of the mower discharge direction and do not point it at anyone. Do not operate the mower without either the entire grass catcher or the guard in place.
- Slow down before turning.
- Never leave a running machine unattended. Always turn off blades, set parking brake, stop engine, and remove keys before dismounting.
- Turn off blades when not mowing.
- Stop engine before removing grass catcher or unclogging chute.
- Mow only in daylight or good artificial light.
- Do not operate the machine while under the influence of alcohol or drugs.
- Watch for traffic when operating near or crossing roadways.
- Use extra care when loading or unloading the machine into a trailer or truck.
- Data indicates that operators, age 60 years and above, are involved in a large percentage of riding mower-related injuries. These operators should evaluate their ability to operate the riding mower safely enough to protect themselves and others from serious injury.
- Keep machine free of grass, leaves or other debris build-up which can touch hot exhaust / engine parts and burn. Do not allow the mower deck to plow leaves or other debris which can cause build-up to occur. Clean any oil or fuel spillage before operating or storing the machine. Allow machine to cool before storage.

## II. SLOPE OPERATION

Slopes are a major factor related to loss-of-control and tipover accidents, which can result in severe injury or death. All slopes require extra caution. If you cannot back up the slope or if you feel uneasy on it, do not mow it.

# SAFETY RULES

## DO:

- Mow up and down slopes, not across.
- Remove obstacles such as rocks, tree limbs, etc.
- Watch for holes, ruts, or bumps. Uneven terrain could overturn the machine. *Tall grass can hide obstacles.*
- Use slow speed. Choose a low gear so that you will not have to stop or shift while on the slope.
- Follow the manufacturer's recommendations for wheel weights or counterweights to improve stability.
- Use extra care with grass catchers or other attachments. These can change the stability of the machine.
- Keep all movement on the slopes *slow* and *gradual*. Do not make sudden changes in speed or direction.
- Avoid starting or stopping on a slope. If tires lose traction, disengage the blades and proceed slowly *straight* down the slope.

## DO NOT:

- *Do not* turn on slopes unless necessary, and then, turn slowly and gradually downhill, if possible.
- *Do not* mow near drop-offs, ditches, or embankments. The mower could suddenly turn over if a wheel is over the edge of a cliff or ditch, or if an edge caves in.
- *Do not* mow on wet grass. Reduced traction could cause sliding.
- *Do not* try to stabilize the machine by putting your foot on the ground.
- *Do not* use grass catcher on steep slopes.

## III. CHILDREN

Tragic accidents can occur if the operator is not alert to the presence of children. Children are often attracted to the machine and the mowing activity. *Never* assume that children will remain where you last saw them.

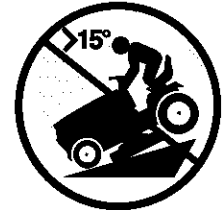
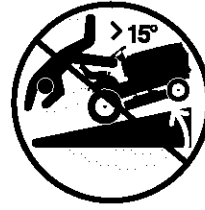
- Keep children out of the mowing area and under the watchful care of another responsible adult.
- Be alert and turn machine off if children enter the area.
- Before and when backing, look behind and *down* for small children.

- Never carry children. They may fall off and be seriously injured or interfere with safe machine operation.
- Never allow children to operate the machine.
- Use extra care when approaching blind corners, shrubs, trees, or other objects that may obscure vision.

## IV. SERVICE

- Use extra care in handling gasoline and other fuels. They are flammable and vapors are explosive.
  - Use only an approved container.
  - Never remove gas cap or add fuel with the engine running. Allow engine to cool before refueling. Do not smoke.
  - Never refuel the machine indoors.
  - Never store the machine or fuel container inside where there is an open flame, such as a water heater.
- Never run a machine inside a closed area.
- Keep nuts and bolts, especially blade attachment bolts, tight and keep equipment in good condition.
- Never tamper with safety devices. Check their proper operation regularly.
- Keep machine free of grass, leaves, or other debris build-up. Clean oil or fuel spillage. Allow machine to cool before storing.
- Stop and inspect the equipment if you strike an object. Repair, if necessary, before restarting.
- Never make adjustments or repairs with the engine running.
- Grass catcher components are subject to wear, damage, and deterioration, which could expose moving parts or allow objects to be thrown. Frequently check components and replace with manufacturer's recommended parts, when necessary.
- Mower blades are sharp and can cut. Wrap the blade(s) or wear gloves, and use extra caution when servicing them.
- Check brake operation frequently. Adjust and service as required.

## SAFETY RULES



- Be sure the area is clear of other people before mowing. Stop machine if anyone enters the area.
- Never carry passengers or children even with the blades off.
- Do not mow in reverse unless absolutely necessary. Always look down and behind before and while backing.
- Never carry children. They may fall off and be seriously injured or interfere with safe machine operation.
- Keep children out of the mowing area and under the watchful care of another responsible adult.
- Be alert and turn machine off if children enter the area.
- Before and when backing, look behind and down for small children.
- Mow up and down slopes (15° Max), not across.
- Remove obstacles such as rocks, tree limbs, etc.
- Watch for holes, ruts, or bumps. Uneven terrain could overturn the machine. Tall grass can hide obstacles.
- Use slow speed. Choose a low gear so that you will not have to stop or shift while on the slope.
- Avoid starting or stopping on a slope. If tires lose traction, disengage the blades and proceed slowly straight down the slope.
- If machine stops while going uphill, disengage blades, shift into reverse and back down slowly.
- Do not turn on slopes unless necessary, and then, turn slowly and gradually downhill, if possible.

## PRODUCT SPECIFICATIONS

|                             |  |
|-----------------------------|--|
| Gasoline Capacity and Type: | 1.25 Gallons<br>Unleaded<br>Regular                    |
| Oil Type<br>(API-SF-SJ):    | SAE 10W30<br>(above 32°F)<br>SAE 5W-30<br>(Below 32°F) |
| Oil Capacity:               | W/Filter: 4.0 Pints<br>W/O Filter: 3.75 Pints          |
| Spark Plug:<br>(GAP: .040") | Champion RC12yC  |
| Ground Speed<br>(MPH):      | Forward: 5.5<br>Reverse: 2.4                           |
| Tire Pressure:              | Front: 14 PSI<br>Rear: 10 PSI                          |
| Charging System:            | 15 Amps @ 3600RPM                                      |
| Battery:                    | Amp/Hr: 28<br>Min. CCA: 230<br>Case Size: U1R          |
| Blade Bolt Torque:          | 27–35 Ft. Lbs.   |

**CONGRATULATIONS** on your purchase of a new tractor. It has been designed, engineered and manufactured to give you the best possible dependability and performance.

Should you experience any problem you cannot easily remedy, please contact a Sears or other qualified service center. We have competent, well-trained technicians and the proper tools to service or repair this tractor.

Please read and retain this manual. The instructions will enable you to assemble and maintain your tractor properly. Always observe the "SAFETY RULES".

### CUSTOMER RESPONSIBILITIES

- Read and observe the safety rules.
- Follow a regular schedule in maintaining, caring for and using your tractor.
- Follow the instructions under "Maintenance" and "Storage" sections of this owner's manual.

**⚠WARNING:** This tractor is equipped with an internal combustion engine and should not be used on or near any unimproved forest-covered, brush-covered or grass-covered land unless the engine's exhaust system is equipped with a spark arrester meeting applicable local or state laws (if any). If a spark arrester is used, it should be maintained in effective working order by the operator.

In the state of California the above is required by law (Section 4442 of the California Public Resources Code). Other states may have similar laws. Federal laws apply on federal lands. A spark arrester for the muffler is available through your nearest Sears service center (See REPAIR PARTS section of this manual).

## REPAIR PROTECTION AGREEMENTS

Congratulations on making a smart purchase. Your new Craftsman® product is designed and manufactured for years of dependable operation. But like all products, it may require repair from time to time. That's when having a Repair Protection Agreement can save you money and aggravation.

*Purchase a Repair Protection Agreement now and protect yourself from unexpected hassle and expense.*

Here's what's included in the Agreement:

- **Expert service** by our 12,000 professional repair specialists.
- **Unlimited service and no charge** for parts and labor on all covered repairs.
- **Product replacement** if your covered product can't be fixed.
- **Discount of 10%** from regular price of service and service-related parts not covered by the agreement; also, 10% off regular price of preventive maintenance check.
- **Fast help by phone** – phone support from a Sears technician on products requiring in-home repair, plus convenient repair scheduling.

Once you purchase the Agreement, a simple phone call is all that it takes for you to schedule service. You can call anytime day or night, or schedule a service appointment online.

Sears has over 12,000 professional repair specialists, who have access to over 4.5 million quality parts and accessories.

That's the kind of professionalism you can count on to help prolong the life of your new purchase for years to come. Purchase your Repair Protection Agreement today! **Some limitations and exclusions apply. For prices and additional information call 1-800-827-6655.**

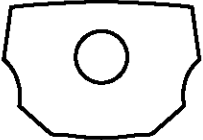
## SEARS INSTALLATION SERVICE

*For Sears professional installation of home appliances, garage door openers, water heaters, and other major home items, in the U.S.A. call 1-800-4-MY-HOME®*


# UNASSEMBLED PARTS

**Steering Wheel**


Steering Wheel Insert



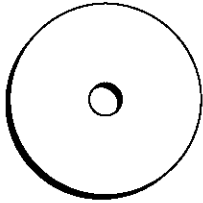
(1) Locknut 1/2-20




(1) Locknut 1/4-28



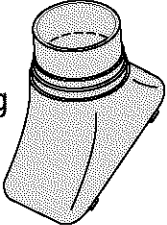
(1) Large Flat Washer



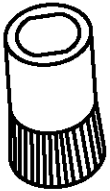
(1) Hex Bolt 1/4-28 x 1-1/4




Steering Boot



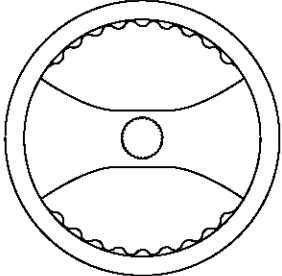
Steering Wheel Adapter



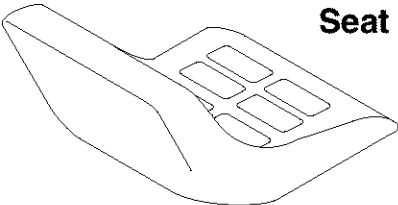
Steering Extension Shaft




Steering Wheel



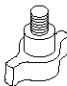
**Seat**




(1) Washer 17/32 x 1-3/16 x 12 Gauge



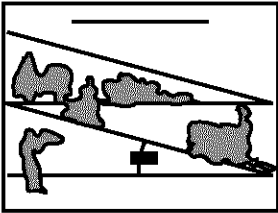
(1) Knob



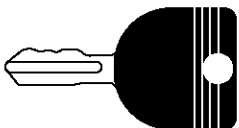
(1) Oil Drain Tube For Future Use



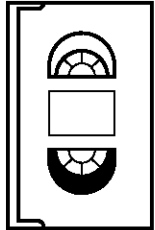
Slope Sheet



Keys



Video Cassette



# ASSEMBLY/PRE-OPERATION

Your new tractor has been assembled at the factory with the exception of those parts left unassembled for shipping purposes. To ensure safe and proper operation of your tractor all parts and hardware you assemble must be tightened securely. Use the correct tools as necessary to insure proper tightness. Review the video cassette before you begin.

## TOOLS REQUIRED FOR ASSEMBLY

A socket wrench set will make assembly easier. Standard wrench sizes are listed.

|                    |               |
|--------------------|---------------|
| (1) 3/4" wrench    | Pliers        |
| (2) 7/16" wrenches | Utility knife |

Tire pressure gauge

When right or left hand is mentioned in this manual, it means when you are in the operating position (seated behind the steering wheel).

## TO REMOVE TRACTOR FROM CARTON

### UNPACK CARTON

1. Remove all accessible loose parts and parts boxes from carton.
2. Cut along dotted lines on all four panels of carton. Remove end panels and lay side panels flat.
3. Check for any additional loose parts or cartons and remove.

## BEFORE REMOVING TRACTOR FROM SKID

### ATTACH STEERING WHEEL

### ASSEMBLE EXTENSION SHAFT AND BOOT

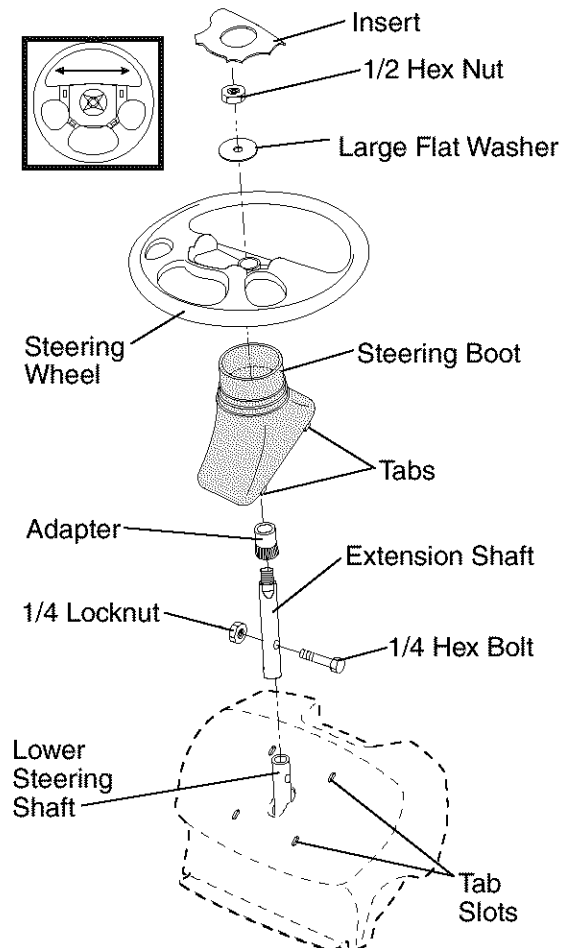
1. Slide extension shaft onto lower steering shaft. Align mounting holes in extension and lower shafts and install 1/4 hex bolt and locknut. Tighten securely.

**IMPORTANT:** Tighten bolt and nut securely to 10-12 ft. lbs torque.

2. Place tabs of steering boot over tab slots in dash and push down to secure.

### INSTALL STEERING WHEEL

3. Position front wheels of the tractor so they are pointing straight forward.
4. Remove steering wheel adapter from steering wheel and slide adapter onto steering shaft extension.
5. Position steering wheel so cross bars are horizontal (left to right) and slide inside boot and onto adapter.
6. Assemble large flat washer, 1/2 hex nut and tighten securely.



7. Snap steering wheel insert into center of steering wheel.
8. Remove protective materials from tractor hood and grill.

**IMPORTANT:** Check for and remove any staples in skid that may puncture tires where tractor is to roll off skid.

## HOW TO SET UP YOUR TRACTOR

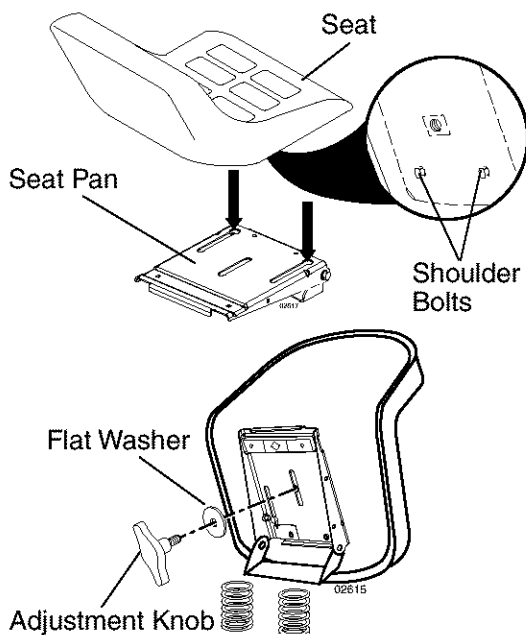
### INSTALL SEAT

Adjust seat before tightening adjustment knob.

1. Remove adjustment knob and flat washer securing seat to cardboard packing and set aside for assembly of seat to tractor.
2. Pivot seat upward and remove from the cardboard packing. Remove the cardboard packing and discard.

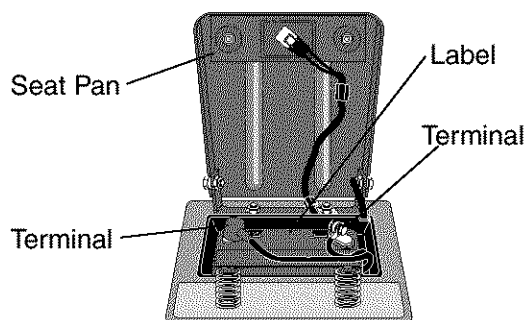


- Place seat on seat pan so head of shoulder bolts are positioned over the large slotted holes in pan.
- Push down on seat to engage shoulder bolts in slots and pull seat towards rear of tractor.
- Pivot seat and pan forward and assemble adjustment knob and flat washer loosely. Do not tighten.
- Lower seat into operating position and sit in seat.
- Slide seat until a comfortable position is reached which allows you to press clutch/brake pedal all the way down.
- Get off seat without moving its adjusted position.
- Raise seat and tighten adjustment knob securely.



### CHECK BATTERY

- Lift seat pan to raised position.
- NOTE:** If this battery is put into service after month and year indicated on label (label located between terminals) charge battery for minimum of one hour at 6-10 amps. (See "BATTERY" in Maintenance section of this manual for charging instructions).



**NOTE:** You may now roll or drive your tractor off the skid. Follow the appropriate instruction below to remove the tractor from the skid.

### TO ROLL TRACTOR OFF SKID (See Operation section for location and function of controls)

- Press lift lever plunger and raise attachment lift lever to its highest position.
- Release parking brake by depressing clutch/brake pedal.
- Place freewheel control in "transmission disengaged" position (See "TO TRANSPORT" in the Operation section of this manual).
- Roll tractor forward off skid.
- Remove banding holding deflector shield up against tractor.

### TO DRIVE TRACTOR OFF SKID (See Operation section for location and function of controls)

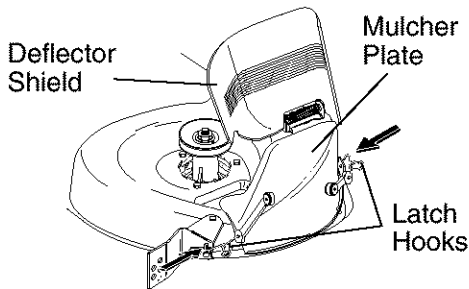
**WARNING:** Before starting, read, understand and follow all instructions in the Operation section of this manual. Be sure tractor is in a well-ventilated area. Be sure the area in front of tractor is clear of other people and objects.

- Be sure all the above assembly steps have been completed.
- Check engine oil level and fill fuel tank with gasoline.
- Place freewheel control in "transmission engaged" position. (See "TO TRANSPORT" in the Operation section of this manual).
- Sit on seat in operating position, depress clutch/brake pedal and set the parking brake.
- Place motion control lever in neutral (N) position.
- Press lift lever plunger and raise attachment lift lever to its highest position.
- Start the engine. After engine has started, move throttle control to idle position.
- Release parking brake.
- Slowly move the motion control lever forward and slowly drive tractor off skid.
- Apply brake to stop tractor, set parking brake and place motion control lever in neutral position.
- Turn ignition key to "STOP" position. Continue with the instructions that follow.

## INSTALL MULCHER PLATE

### (If previously removed)

1. Raise and hold deflector shield in upright position.
2. Place front of mulcher plate over front of mower deck opening and slide into place, as shown.
3. Hook front latch into hole on front of mower deck.
4. Hook rear latch into hole on back of mower deck.



**CAUTION:** Do not remove deflector shield from mower.

## TO CONVERT TO BAGGING OR DISCHARGING

Simply remove mulcher plate and store in a safe place. Your mower is now ready for discharging or installation of optional grass catcher accessory.

**NOTE:** It is not necessary to change blades. The mulching blades are designed for discharging and bagging also.

## CHECK TIRE PRESSURE

The tires on your tractor were overinflated at the factory for shipping purposes. Correct tire pressure is important for best cutting performance.

- Reduce tire pressure to PSI shown in "PRODUCT SPECIFICATIONS" section of this manual.

## CHECK DECK LEVELNESS

For best cutting results, mower housing should be properly leveled. See "TO LEVEL MOWER HOUSING" in the Service and Adjustments section of this manual.

## CHECK FOR PROPER POSITION OF ALL BELTS

See the figures that are shown for replacing motion and mower blade drive belts in the Service and Adjustments section of this manual. Verify that the belts are routed correctly.

## CHECK BRAKE SYSTEM

After you learn how to operate your tractor, check to see that the brake is properly adjusted. See "TO ADJUST BRAKE" in the Service and Adjustments section of this manual.

### ✓ CHECKLIST

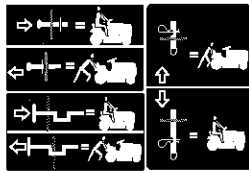
Before you operate your new tractor, we wish to assure that you receive the best performance and satisfaction from this quality product.

Please review the following checklist:

- ✓ All assembly instructions have been completed.
  - ✓ No remaining loose parts in carton.
  - ✓ Battery is properly prepared and charged. (Minimum 1 hour at 6 amps).
  - ✓ Seat is adjusted comfortably and tightened securely.
  - ✓ All tires are properly inflated. (For shipping purposes, the tires were overinflated at the factory).
  - ✓ Be sure mower deck is properly leveled side-to-side/front-to-rear for best cutting results. (Tires must be properly inflated for leveling).
  - ✓ Check mower and drive belts. Be sure they are routed properly around pulleys and inside all belt keepers.
  - ✓ Check wiring. See that all connections are still secure and wires are properly clamped.
  - ✓ Before driving tractor, be sure freewheel control is in "transmission engaged" position (see "TO TRANSPORT" in the Operation section of this manual).
- While learning how to use your tractor, pay extra attention to the following important items:
- ✓ Engine oil is at proper level.
  - ✓ Fuel tank is filled with fresh, clean, regular unleaded gasoline.
  - ✓ Become familiar with all controls - their location and function. Operate them before you start the engine.
  - ✓ Be sure brake system is in safe operating condition.
  - ✓ It is important to purge the transmission before operating your tractor for the first time. Follow proper starting and transmission purging instructions (See "TO START ENGINE" and "PURGE TRANSMISSION" in the Operation section of this manual).

# OPERATION

These symbols may appear on your tractor or in literature supplied with the product. Learn and understand their meaning.



**FREE WHEEL**  
(Automatic Models only)



Failure to follow instructions could result in serious injury or death. The safety alert symbol is used to identify safety information about hazards which can result in death, serious injury and/or property damage.



**DANGER** indicates a hazard which, if not avoided, will result in death or serious injury.



**WARNING** indicates a hazard which, if not avoided, could result in death or serious injury.



**CAUTION** indicates a hazard which, if not avoided, might result in minor or moderate injury.

**CAUTION** when used **without** the alert symbol, indicates a situation that **could result in damage to the tractor and/or engine.**



**HOT SURFACES** indicates a hazard which, if not avoided, could result in death, serious injury and/or property damage.

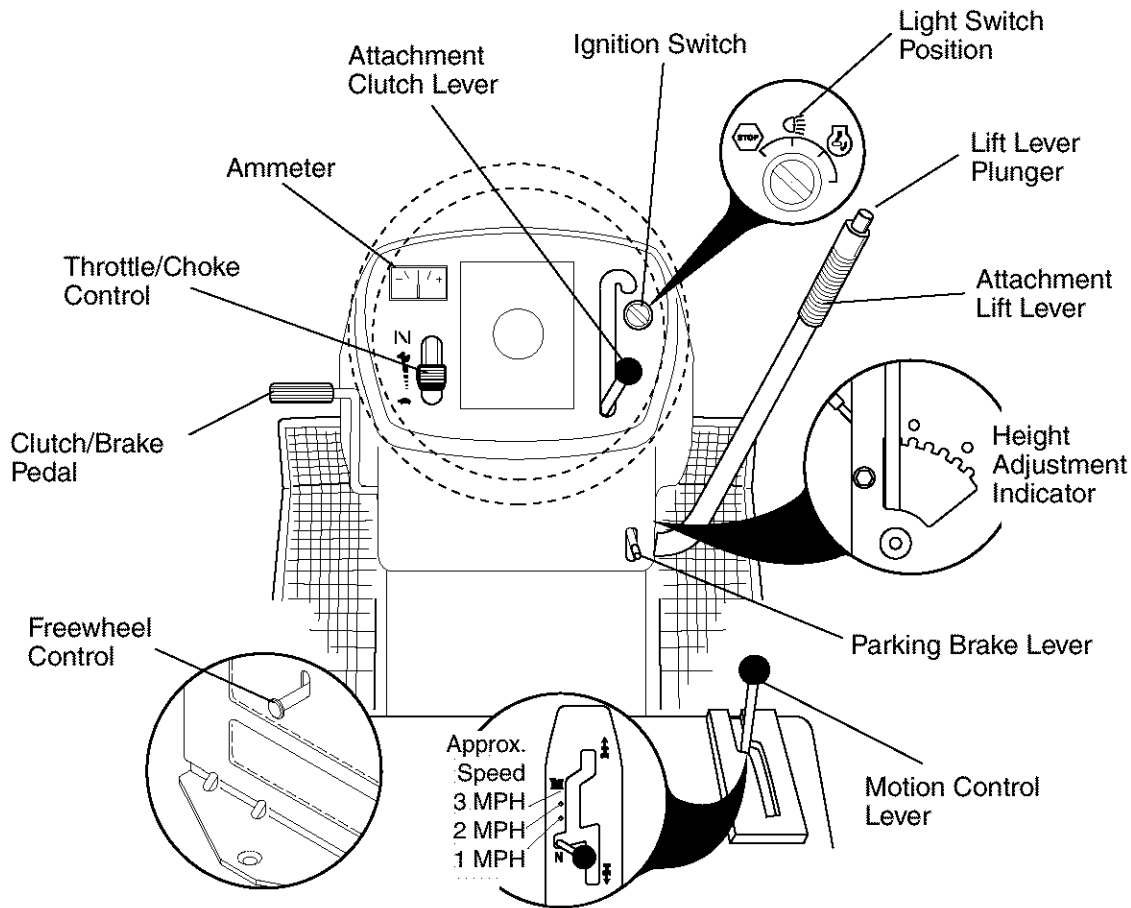


**FIRE** indicates a hazard which, if not avoided, could result in death, serious injury and/or property damage.

## KNOW YOUR TRACTOR

### READ THIS OWNER'S MANUAL AND SAFETY RULES BEFORE OPERATING YOUR TRACTOR

Compare the illustrations with your tractor to familiarize yourself with the locations of various controls and adjustments. Save this manual for future reference.



---

Our tractors conform to the safety standards of the American National Standards Institute.

---

**AMMETER** - Indicates charging (+) or discharging (-) of battery.

**ATTACHMENT CLUTCH LEVER** - Used to engage the mower blades, or other attachments mounted to your tractor.

**ATTACHMENT LIFT LEVER** - Used to raise, lower, and adjust the mower deck or other attachments mounted to your tractor.

**CLUTCH/BRAKE PEDAL** - Used for declutching and braking the tractor and starting the engine.

**MOTION CONTROL LEVER** - Selects the speed and direction of tractor.

**IGNITION SWITCH** - Used for starting and stopping the engine.

**LIFT LEVER PLUNGER** - Used to release attachment lift lever when changing its position.

**LIGHT SWITCH POSITION** - Turns the headlights on and off.

**PARKING BRAKE LEVER** - Locks clutch/brake pedal into the brake position.

**THROTTLE/CHOKE CONTROL** - Used for starting and controlling engine speed.

**FREEWHEEL CONTROL** - Disengages transmission for pushing or slowly towing the tractor with the engine off.

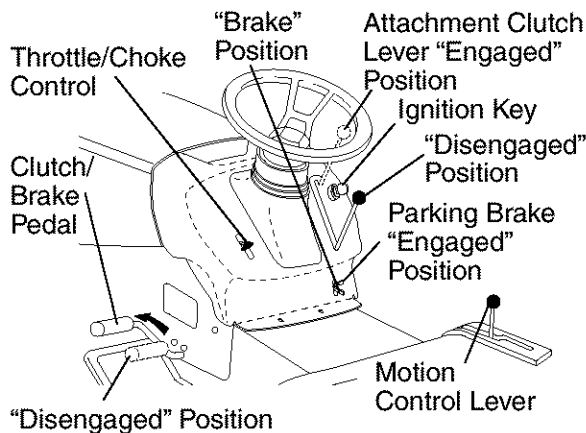


The operation of any tractor can result in foreign objects thrown into the eyes, which can result in severe eye damage. Always wear safety glasses or eye shields while operating your tractor or performing any adjustments or repairs. We recommend standard safety glasses or a wide vision safety mask worn over spectacles.

## HOW TO USE YOUR TRACTOR TO SET PARKING BRAKE

Your tractor is equipped with an operator presence sensing switch. When engine is running, any attempt by the operator to leave the seat without first setting the parking brake will shut off the engine.

1. Depress clutch/brake pedal all the way down and hold.
2. Pull parking brake lever up and release pressure from clutch/brake pedal. Pedal should remain in brake position. Make sure parking brake will hold tractor secure.



## STOPPING

### MOWER BLADES -

- To stop mower blades, move attachment clutch lever to disengaged position.

### GROUND DRIVE -

- To stop ground drive, depress clutch/brake pedal all the way down.
- Move motion control lever to neutral (N) position.

**IMPORTANT:** The motion control lever does not return to neutral (N) position when the clutch/brake pedal is depressed.

### ENGINE -

- Move throttle control between half and full speed (fast) position.

**NOTE:** Failure to move throttle control between half and full speed (fast) position, before stopping, may cause engine to “backfire”.

- Turn ignition key to “STOP” position and remove key. Always remove key when leaving tractor to prevent unauthorized use.
- Never use choke to stop engine.

**IMPORTANT:** Leaving the ignition switch in any position other than “STOP” will cause the battery to discharge and go dead.

**NOTE:** Under certain conditions when tractor is standing idle with the engine running, hot engine exhaust gases may cause “browning” of grass. To eliminate this possibility, always stop engine when stopping tractor on grass areas.

**CAUTION:** Always stop tractor completely, as described above, before leaving the operator’s position.

## TO USE THROTTLE CONTROL

Always operate engine at full throttle.

- Operating engine at less than full throttle reduces the battery charging rate.
- Full throttle offers the best bagging and mower performance.

## TO MOVE FORWARD AND BACKWARD

The direction and speed of movement is controlled by the motion control lever.

1. Start tractor with motion control lever in neutral (N) position.
2. Release parking brake.
3. Slowly move motion control lever to desired position.

## TO ADJUST MOWER CUTTING HEIGHT

The position of the attachment lift lever determines the cutting height.

- Grasp lift lever.
- Press plunger with thumb and move lever to desired position.

The cutting height range is approximately 1-1/2 to 4". The heights are measured from the ground to the blade tip with the engine not running. These heights are approximate and may vary depending upon soil conditions, height of grass and types of grass being mowed.

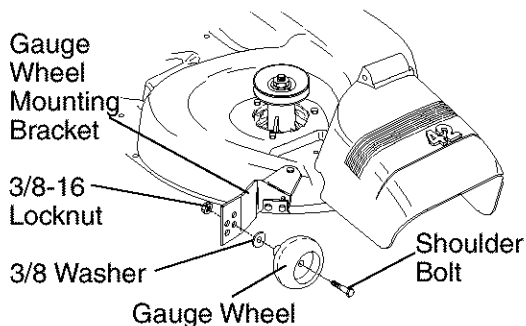
- The average lawn should be cut to approximately 2-1/2 inches during the cool season and to over 3 inches during hot months. For healthier and better looking lawns, mow often and after moderate growth.
- For best cutting performance, grass over 6 inches in height should be mowed twice. Make the first cut relatively high; the second to desired height.

### TO ADJUST GAUGE WHEELS

Gauge wheels are properly adjusted when they are slightly off the ground when mower is at the desired cutting height in operating position. Gauge wheels then keep the deck in proper position to help prevent scalping in most terrain conditions.

**NOTE:** Adjust gauge wheels with tractor on a flat level surface.

1. Adjust mower to desired cutting height (See "TO ADJUST MOWER CUTTING HEIGHT" in this section of manual).
2. With mower in desired height of cut position, gauge wheels should be assembled so they are slightly off the ground. Install gauge wheel in appropriate hole with shoulder bolt, 3/8 washer, and 3/8-16 locknut and tighten securely.
3. Repeat for opposite side, installing gauge wheel in same adjustment hole.



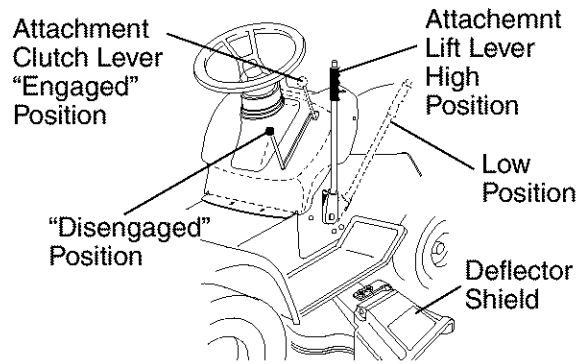
### TO OPERATE MOWER

Your tractor is equipped with an operator presence sensing switch. Any attempt by the operator to leave the seat with the engine running and the attachment clutch engaged will shut off the engine.

1. Select desired height of cut.
2. Start mower blades by engaging attachment clutch control.

TO STOP MOWER BLADES - disengage attachment clutch control.

**CAUTION:** Do not operate the mower without either the entire grass catcher, on mowers so equipped, or the deflector shield in place.



### TO OPERATE ON HILLS

**WARNING:** Do not drive up or down hills with slopes greater than 15° and do not drive across any slope. Use the slope guide at the back of this manual.

- Choose the slowest speed before starting up or down hills.
- Avoid stopping or changing speed on hills.
- If slowing is necessary, move throttle control lever to slower position.
- If stopping is absolutely necessary, push clutch/brake pedal quickly to brake position and engage parking brake.
- Move motion control lever to neutral (N) position.

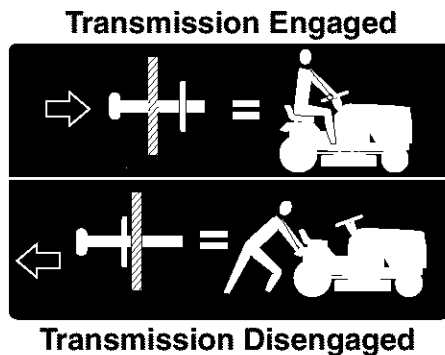
**IMPORTANT:** The motion control lever does not return to neutral (N) position when the clutch/brake pedal is depressed.

- To restart movement, slowly release parking brake and clutch/brake pedal.
- Slowly move motion control lever to slowest setting.
- Make all turns slowly.

### TO TRANSPORT

When pushing or towing your tractor, be sure to disengage transmission by placing freewheel control in freewheeling position. Freewheel control is located at the rear drawbar of tractor.

1. Raise attachment lift to highest position with attachment lift control.
  2. Pull freewheel control out and down into the slot and release so it is held in the disengaged position.
- Do not push or tow tractor at more than two (2) MPH.
  - To re-engage transmission, reverse above procedure.



**NOTE:** To protect hood from damage when transporting your tractor on a truck or a trailer, be sure hood is closed and secured to tractor. Use an appropriate means of tying hood to tractor (rope, cord, etc.).

### **TOWING CARTS AND OTHER ATTACHMENTS**

Tow only the attachments that are recommended by and comply with specifications of the manufacturer of your tractor. Use common sense when towing. Too heavy of a load, while on a slope, is dangerous. Tires can lose traction with the ground and cause you to lose control of your tractor.

### **BEFORE STARTING THE ENGINE CHECK ENGINE OIL LEVEL**

The engine in your tractor has been shipped, from the factory, already filled with summer weight oil.

1. Check engine oil with tractor on level ground.
2. Unthread and remove oil fill cap/dipstick; wipe oil off. Reinsert the dipstick into the tube and rest oil fill cap on the tube. Do not thread the cap onto the tube. Remove and read oil level. If necessary, add oil until "FULL" mark on dipstick is reached. Do not overfill.
- For cold weather operation you should change oil for easier starting (See the oil viscosity chart in the Maintenance section of this manual).
- To change engine oil, see the Maintenance section in this manual.

### **ADD GASOLINE**

- Fill fuel tank to bottom of tank filler neck. Do not overfill. Use fresh, clean, regular unleaded gasoline with a minimum of 87 octane. (Use of leaded gasoline will increase carbon and lead oxide deposits and reduce valve life). Do not mix oil with gasoline. Purchase fuel in quantities that can be used within 30 days to assure fuel freshness.

**CAUTION:** Wipe off any spilled oil or fuel. Do not store, spill or use gasoline near an open flame.

**IMPORTANT:** When operating in temperatures below 32°F(0°C), use fresh, clean winter grade gasoline to help insure good cold weather starting.

**CAUTION:** Alcohol blended fuels (called gasohol or using ethanol or methanol) can attract moisture which leads to separation and formation of acids during storage. Acidic gas can damage the fuel system of an engine while in storage.

To avoid engine problems, the fuel system should be emptied before storage of 30 days or longer. Drain the gas tank, start the engine and let it run until the fuel lines and carburetor are empty.

Use fresh fuel next season. See Storage Instructions for additional information. Never use engine or carburetor cleaner products in the fuel tank or permanent damage may occur.

### **TO START ENGINE**

When starting the engine for the first time or if the engine has run out of fuel, it will take extra cranking time to move fuel from the tank to the engine.

1. Be sure freewheel control is in the transmission engaged position.
2. Sit on seat in operating position, depress clutch/brake pedal and set parking brake.
3. Place motion control lever in neutral (N) position.
4. Move attachment clutch to disengaged position.
5. Move throttle control to choke position.

**NOTE:** Before starting, read the warm and cold starting procedures below.

6. Insert key into ignition and turn key clockwise to start position and release key as soon as engine starts. Do not run starter continuously for more than fifteen seconds per minute. If the engine does not start after several attempts, move throttle control to fast position, wait a few minutes and try again. If engine still does not start, move the throttle control back to the choke position and retry.

WARM WEATHER STARTING (50° F and above)

7. When engine starts, move the throttle control to the fast position.
  - The attachments and ground drive can now be used. If the engine does not accept the load, restart the engine and allow it to warm up for one minute using the choke as described above.

COLD WEATHER STARTING ( 50° F and below)

7. When engine starts, allow engine to run with the throttle control in the choke position until the engine runs roughly, then move throttle control to fast position. This may require an engine warm-up period from several seconds to several minutes, depending on the temperature.

#### AUTOMATIC TRANSMISSION WARM UP

Before driving the unit in cold weather, the transmission should be warmed up as follows:

1. Be sure the tractor is on level ground.
2. Place the motion control lever in neutral. Release the parking brake and let the clutch/brake slowly return to operating position.
3. Allow one minute for transmission to warm up. This can be done during the engine warm up period.
  - The attachments can also be used during the engine warm-up period after the transmission has been warmed up.

**NOTE:** If at a high altitude (above 3000 feet) or in cold temperatures (below 32 F) the carburetor fuel mixture may need to be adjusted for best engine performance. (See "TO ADJUST CARBURETOR" in the Service and Adjustments section of this manual.)

#### PURGE TRANSMISSION

**CAUTION:** Never engage or disengage freewheel lever while the engine is running.

To ensure proper operation and performance, it is recommended that the transmission be purged before operating tractor for the first time. This procedure will remove any trapped air inside the transmission which may have developed during shipping of your tractor.

**IMPORTANT:** Should your transmission require removal for service or replacement, it should be purged after reinstallation before operating the tractor.

1. Place tractor safely on level surface with engine off and parking brake set.
2. Disengage transmission by placing freewheel control in "transmission disengaged" position (See "TO TRANSPORT" in this section of manual).
3. Sitting in the tractor seat, start engine. After the engine is running, move throttle control to slow position. With motion control lever in neutral (N) position, slowly disengage clutch/brake pedal.
4. Move motion control lever to full forward position and hold for five (5) seconds. Move lever to full reverse position and hold for five (5) seconds. Repeat this procedure three (3) times.

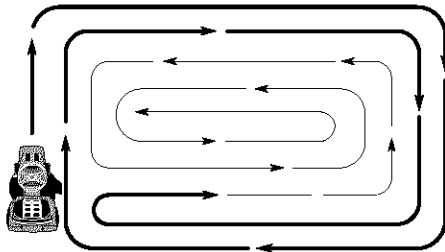
**NOTE:** During this step there will be no movement of drive wheels. The air is being removed from hydraulic drive system.
5. Move motion control lever to neutral (N) position. Shutoff engine and set parking brake.
6. Engage transmission by placing freewheel control in "transmission engaged" position (See "TO TRANSPORT" in this section of manual).
7. Sitting in the tractor seat, start engine. After the engine is running, move throttle control to half (1/2) speed. With motion control lever in neutral (N) position, slowly disengage clutch/brake pedal.
8. Slowly move motion control lever forward, after the tractor moves approximately five (5) feet, slowly move motion control lever to reverse position. After the tractor moves approximately five (5) feet return the motion control lever to the neutral (N) position. Repeat this procedure with the motion control lever three (3) times.

Your transmission is now purged and ready for normal operation.



## MOWING TIPS

- Mower should be properly leveled for best mowing performance. See "TO LEVEL MOWER HOUSING" in the Service and Adjustments section of this manual.
- The left hand side of mower should be used for trimming.
- Drive so that clippings are discharged onto the area that has already been cut. Have the cut area to the right of the tractor. This will result in a more even distribution of clippings and more uniform cutting.
- When mowing large areas, start by turning to the right so that clippings will discharge away from shrubs, fences, driveways, etc. After one or two rounds, mow in the opposite direction making left hand turns until finished.

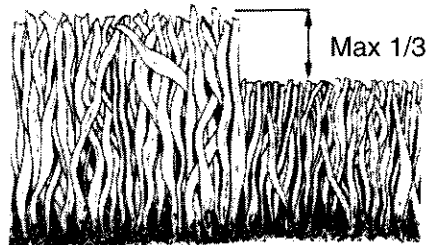


- If grass is extremely tall, it should be mowed twice to reduce load and possible fire hazard from dried clippings. Make first cut relatively high; the second to the desired height.
- Do not mow grass when it is wet. Wet grass will plug mower and leave undesirable clumps. Allow grass to dry before mowing.
- **Always operate engine at full throttle when mowing** to assure better mowing performance and proper discharge of material. Regulate ground speed by selecting a low enough gear to give the mower cutting performance as well as the quality of cut desired.
- When operating attachments, select a ground speed that will suit the terrain and give best performance of the attachment being used.

## MULCHING MOWING TIPS

**IMPORTANT:** For best performance, keep mower housing free of built-up grass and trash. Clean after each use.

- The special mulching blade will recut the grass clippings many times and reduce them in size so that as they fall onto the lawn they will disperse into the grass and not be noticed. Also, the mulched grass will biodegrade quickly to provide nutrients for the lawn. Always mulch with your highest engine (blade) speed as this will provide the best recutting action of the blades.
- Avoid cutting your lawn when it is wet. Wet grass tends to form clumps and interferes with the mulching action. The best time to mow your lawn is the early afternoon. At this time the grass has dried and the newly cut area will not be exposed to the direct sun.
- For best results, adjust the mower cutting height so that the mower cuts off only the top one-third of the grass blades. For extremely heavy grass, reduce your width of cut on each pass and mow slowly.



- Certain types of grass and grass conditions may require that an area be mulched a second time to completely hide the clippings. When doing a second cut, mow across or perpendicular to the first cut path.
- Change your cutting pattern from week to week. Mow north to south one week then change to east to west the next week. This will help prevent matting and graining of the lawn.

# MAINTENANCE

| <b>MAINTENANCE SCHEDULE</b>                         |   | SERVICE DATES   |               |                  |                  |                 |              |                |
|---|---|-----------------|---------------|------------------|------------------|-----------------|--------------|----------------|
| FILL IN DATES<br>AS YOU COMPLETE<br>REGULAR SERVICE |   | BEFORE EACH USE | EVERY 8 HOURS | EVERY 25 HOURS   | EVERY 50 HOURS   | EVERY 100 HOURS | EVERY SEASON | BEFORE STORAGE |
| <b>T<br/>R<br/>A<br/>C<br/>T<br/>O<br/>R</b>        | Check Brake Operation                         | ✓               | ✓             |                  |                  |                 |              |                |
|   | Check Tire Pressure                           | ✓               | ✓             |                  |                  |                 |              |                |
|   | Check Operator Presence and Interlock Systems | ✓               |               |                  |                  |                 |              |                |
|   | Check for Loose Fasteners                     | ✓               |               |                  | ✓ <sub>5</sub>   |                 | ✓            |                |
|   | Sharpen/Replace Mower Blades                  |                 |               | ✓ <sub>3</sub>   |                  |                 |              |                |
|   | Lubrication Chart                             |                 |               | ✓                |                  |                 | ✓            |                |
|   | Check Battery Level                           |                 |               | ✓ <sub>4</sub>   |                  |                 |              |                |
|   | Clean Battery and Terminals                   |                 |               | ✓                |                  |                 | ✓            |                |
|   | Check Transaxle Cooling                       |                 |               | ✓                |                  |                 |              |                |
|   | Check V-Belts                                 |                 |               |                  | ✓                |                 |              |                |
| <b>E<br/>N<br/>G<br/>I<br/>N<br/>E</b>              | Check Engine Oil Level                        | ✓               | ✓             |                  |                  |                 |              |                |
|   | Change Engine Oil (with oil filter)           |                 |               | ✓ <sub>1,2</sub> |                  |                 | ✓            |                |
|   | Change Engine Oil (without oil filter)        |                 |               | ✓ <sub>1,2</sub> |                  |                 | ✓            |                |
|   | Clean Air Filter                              |                 |               | ✓ <sub>2</sub>   |                  |                 |              |                |
|   | Clean Air Screen                              |                 |               | ✓ <sub>2</sub>   |                  |                 |              |                |
|   | Inspect Muffler/Spark Arrester                |                 |               | ✓                |                  |                 |              |                |
|   | Replace Oil Filter (If equipped)              |                 |               |                  | ✓ <sub>1,2</sub> |                 |              |                |
|   | Clean Engine Cooling Fins                     |                 |               |                  | ✓ <sub>2</sub>   |                 |              |                |
|   | Replace Spark Plug                            |                 |               |                  | ✓                | ✓               |              |                |
|   | Replace Air Filter Paper Cartridge            |                 |               |                  | ✓ <sub>2</sub>   |                 |              |                |
| Replace Fuel Filter                                 |   |                 |               |                  | ✓                |                 |              |                |

1 - Change more often when operating under a heavy load or in high ambient temperatures.  
2 - Service more often when operating in dirty or dusty conditions.

3 - Replace blades more often when mowing in sandy soil.  
4 - Not required if equipped with maintenance-free battery.  
5 - Tighten front axle pivot bolt to 35 ft.-lbs. maximum. Do not overtighten.

## GENERAL RECOMMENDATIONS

The warranty on this tractor does not cover items that have been subjected to operator abuse or negligence. To receive full value from the warranty, operator must maintain tractor as instructed in this manual.

Some adjustments will need to be made periodically to properly maintain your tractor.

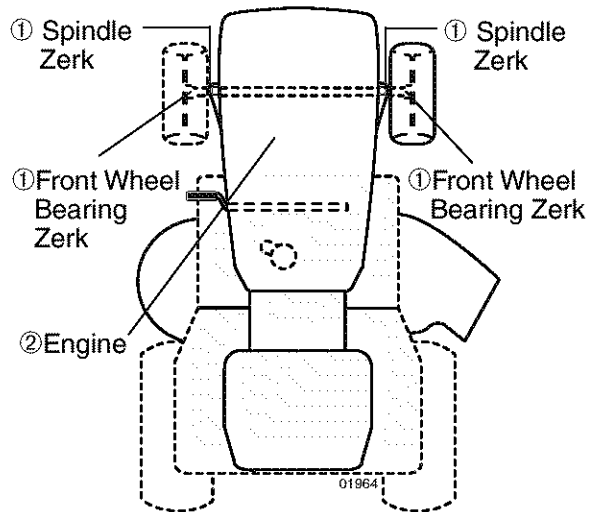
All adjustments in the Service and Adjustments section of this manual should be checked at least once each season.

- Once a year you should replace the spark plug, clean or replace air filter, and check blades and belts for wear. A new spark plug and clean air filter assure proper air-fuel mixture and help your engine run better and last longer.

## BEFORE EACH USE

- Check engine oil level.
- Check brake operation.
- Check tire pressure.
- Check operator presence and interlock systems for proper operation.
- Check for loose fasteners.

## LUBRICATION CHART



- General Purpose Grease
- Refer to Maintenance "ENGINE" Section

**IMPORTANT:** Do not oil or grease the pivot points which have special nylon bearings. Viscous lubricants will attract dust and dirt that will shorten the life of the self-lubricating bearings. If you feel they must be lubricated, use only a dry, powdered graphite type lubricant sparingly.

## TRACTOR

Always observe safety rules when performing any maintenance.

### BRAKE OPERATION

If tractor requires more than six (6) feet stopping distance at high speed in highest gear, then brake must be adjusted. (See "TO ADJUST BRAKE" in the Service and Adjustments section of this manual).

### TIRES

- Maintain proper air pressure in all tires (See "PRODUCT SPECIFICATIONS" section of this manual).
- Keep tires free of gasoline, oil, or insect control chemicals which can harm rubber.
- Avoid stumps, stones, deep ruts, sharp objects and other hazards that may cause tire damage.

**NOTE:** To seal tire punctures and prevent flat tires due to slow leaks, tire sealant may be purchased from your local parts dealer. Tire sealant also prevents tire dry rot and corrosion.

### OPERATOR PRESENCE SYSTEM

Be sure operator presence and interlock systems are working properly. If your tractor does not function as described, repair the problem immediately.

- The engine should not start unless the brake pedal is fully depressed and attachment clutch control is in the disengaged position.
- When the engine is running, any attempt by the operator to leave the seat without first setting the parking brake should shut off the engine.
- When the engine is running and the attachment clutch is engaged, any attempt by the operator to leave the seat should shut off the engine.
- The attachment clutch should never operate unless the operator is in the seat.

### BLADE CARE

For best results mower blades must be kept sharp. Replace bent or damaged blades.

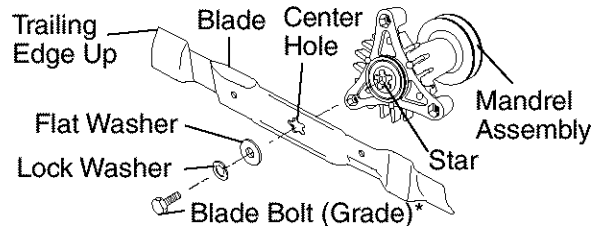
### BLADE REMOVAL

1. Raise mower to highest position to allow access to blades.
2. Remove blade bolt, lock washer and flat washer securing blade.
3. Install new or resharpened blade with trailing edge up towards deck as shown.

**IMPORTANT:** To ensure proper assembly, center hole in blade must align with star on mandrel assembly.

4. Reassemble blade bolt, lock washer and flat washer in exact order as shown.
5. Tighten blade bolt securely (27-35 Ft. Lbs. torque).

**IMPORTANT:** Blade bolt is grade 8 heat treated.



\*A Grade 8 heat treated bolt can be identified by six lines on the bolt head.

### TO SHARPEN BLADE

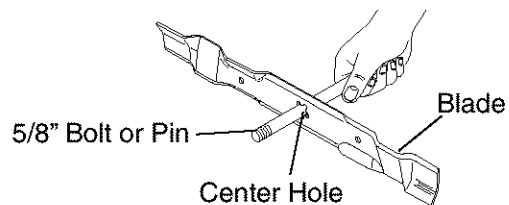
**NOTE:** We do not recommend sharpening blade - but if you do, be sure the blade is balanced.

Care should be taken to keep the blade balanced. An unbalanced blade will cause excessive vibration and eventual damage to mower and engine.

- The blade can be sharpened with a file or on a grinding wheel. Do not attempt to sharpen while on the mower.
- To check blade balance, you will need a 5/8" diameter steel bolt, pin, or a cone balancer. (When using a cone balancer, follow the instructions supplied with balancer.)

**NOTE:** Do not use a nail for balancing blade. The lobes of the center hole may appear to be centered, but are not.

- Slide blade on to an unthreaded portion of the steel bolt or pin and hold the bolt or pin parallel with the ground. If blade is balanced, it should remain in a horizontal position. If either end of the blade moves downward, sharpen the heavy end until the blade is balanced.



## BATTERY

Your tractor has a battery charging system which is sufficient for normal use. However, periodic charging of the battery with an automotive charger will extend its life.

- Keep battery and terminals clean.
- Keep battery bolts tight.
- Keep small vent holes open.
- Recharge at 6-10 amperes for 1 hour.

**NOTE:** The original equipment battery on your tractor is maintenance free. Do not attempt to open or remove caps or covers. Adding or checking level of electrolyte is not necessary.

## TO CLEAN BATTERY AND TERMINALS

Corrosion and dirt on the battery and terminals can cause the battery to "leak" power.

1. Disconnect **BLACK** battery cable first then **RED** battery cable and remove battery from tractor.
2. Rinse the battery with plain water and dry.
3. Clean terminals and battery cable ends with wire brush until bright.
4. Coat terminals with grease or petroleum jelly.
5. Reinstall battery (See "REPLACING BATTERY" in the Service and Adjustments section of this manual).

## TRANSAXLE COOLING

The transmission fan and cooling fins should be kept clean to assure proper cooling.

Do not attempt to clean fan or transmission while engine is running or while the transmission is hot. To prevent possible damage to seals, do not use high pressure water or steam to clean transaxle.

- Inspect cooling fan to be sure fan blades are intact and clean.
- Inspect cooling fins for dirt, grass clippings and other materials. To prevent damage to seals, do not use compressed air or high pressure sprayer to clean cooling fins.

## TRANSAXLE PUMP FLUID

The transaxle was sealed at the factory and fluid maintenance is not required for the life of the transaxle. Should the transaxle ever leak or require servicing, contact a Sears or other qualified service center.

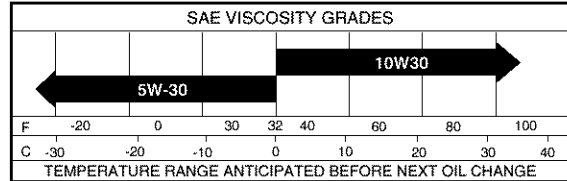
## V-BELTS

Check V-belts for deterioration and wear after 100 hours of operation and replace if necessary. The belts are not adjustable. Replace belts if they begin to slip from wear.

## ENGINE

### LUBRICATION

Only use high quality detergent oil rated with API service classification SF-SJ. Select the oil's SAE viscosity grade according to your expected operating temperature.

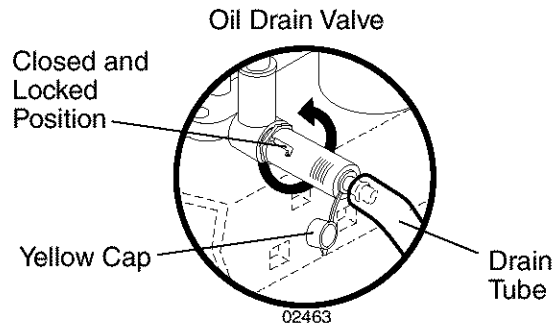


Change the oil after every 50 hours of operation or at least once a year if the tractor is not used for 50 hours in one year. Check the crankcase oil level before starting the engine and after each eight (8) hours of operation.

## TO CHANGE ENGINE OIL

Determine temperature range expected before oil change. All oil must meet API service classification SF-SJ.

- Be sure tractor is on level surface.
  - Oil will drain more freely when warm.
  - Catch oil in a suitable container.
1. Remove oil fill cap/dipstick. Be careful not to allow dirt to enter the engine when changing oil.
  2. Remove yellow cap from end of drain valve and install the drain tube onto the fitting.



3. Unlock drain valve by pushing inward slightly and turning counterclockwise.
4. To open, pull out on the drain valve.
5. After oil has drained completely, close and lock the drain valve by pushing inward and turning clockwise until the pin is in the locked position as shown.
6. Remove the drain tube and replace the cap onto the end of the drain valve.
7. Refill engine with oil through oil fill dipstick tube. Pour slowly. Do not overfill. For approximate capacity see "PRODUCT SPECIFICATIONS" section of this manual.
8. Use gauge on oil fill cap/dipstick for checking level. Insert dipstick into the tube and rest the oil fill cap on the tube. Do not thread the cap onto the tube when taking reading. Keep oil at "FULL" line on dipstick. Tighten cap onto the tube securely when finished.

### AIR FILTER

Your engine will not run properly using a dirty air filter. Clean the foam pre-cleaner after every 25 hours of operation or every season. Service paper cartridge every 100 hours of operation or every season, whichever occurs first.

Service air cleaner more often under dusty conditions.

1. Remove knob and cover.
2. Remove wing nut and air cleaner from base.

### TO SERVICE PRE-CLEANER

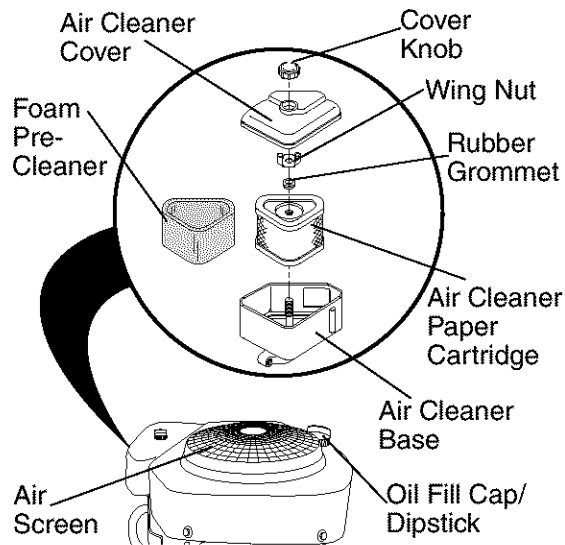
3. Slide foam pre-cleaner off cartridge.
4. Wash it in liquid detergent and water.
5. Squeeze it dry in a clean cloth. Allow it to dry.
6. Saturate it in engine oil. Wrap it in clean, absorbent cloth and squeeze to remove excess oil.

### TO SERVICE CARTRIDGE

1. Replace a dirty, bent, or damaged cartridge.

**NOTE:** Do not wash the paper cartridge or use pressurized air, as this will damage the cartridge.

2. Reinstall the pre-cleaner (cleaned and oiled) over the paper cartridge.
3. Reassemble air cleaner, wing nut, cover and tighten knob securely.



### ENGINE OIL FILTER

Replace the engine oil filter every season or every other oil change if the tractor is used more than 100 hours in one year.

### CLEAN AIR SCREEN

Air screen must be kept free of dirt and chaff to prevent engine damage from overheating. Clean with a wire brush or compressed air to remove dirt and stubborn dried gum fibers.

### CLEAN AIR INTAKE/COOLING AREAS

To insure proper cooling, make sure the grass screen, cooling fins, and other external surfaces of the engine are kept clean at all times.

Every 100 hours of operation (more often under extremely dusty, dirty conditions), remove the blower housing and other cooling shrouds. Clean the cooling fins and external surfaces as necessary. Make sure the cooling shrouds are reinstalled.

**NOTE:** Operating the engine with a blocked grass screen, dirty or plugged cooling fins, and/or cooling shrouds removed will cause engine damage due to overheating.

### MUFFLER

Inspect and replace corroded muffler and spark arrester (if equipped) as it could create a fire hazard and/or damage.

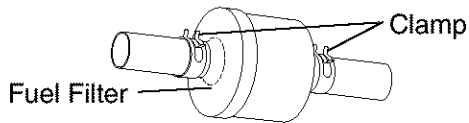
### SPARK PLUG(S)

Replace spark plug(s) at the beginning of each mowing season or after every 100 hours of operation, whichever occurs first. Spark plug type and gap setting are shown in "PRODUCT SPECIFICATIONS" section of this manual.

## IN-LINE FUEL FILTER

The fuel filter should be replaced once each season. If fuel filter becomes clogged, obstructing fuel flow to carburetor, replacement is required.

1. With engine cool, remove filter and plug fuel line sections.
2. Place new fuel filter in position in fuel line with arrow pointing towards carburetor.
3. Be sure there are no fuel line leaks and clamps are properly positioned.
4. Immediately wipe up any spilled gasoline.



## CLEANING

- Clean engine, battery, seat, finish, etc. of all foreign matter.
- Keep finished surfaces and wheels free of all gasoline, oil, etc.
- Protect painted surfaces with automotive type wax.

We do not recommend using a garden hose or pressure washer to clean your tractor unless the engine and transmission are covered to keep water out. Water in engine or transmission will shorten the useful life of your tractor. Use compressed air or a leaf blower to remove grass, leaves and trash from tractor and mower.

# SERVICE AND ADJUSTMENTS



**WARNING: TO AVOID SERIOUS INJURY, BEFORE PERFORMING ANY SERVICE OR ADJUSTMENTS:**

1. Depress clutch/brake pedal fully and set parking brake.
2. Place motion control lever in neutral (N) position.
3. Place attachment clutch in "DISENGAGED" position.
4. Turn ignition key to "STOP" and remove key.
5. Make sure the blades and all moving parts have completely stopped.
6. Disconnect spark plug wire from spark plug and place wire where it cannot come in contact with plug.

## TRACTOR

### TO REMOVE MOWER

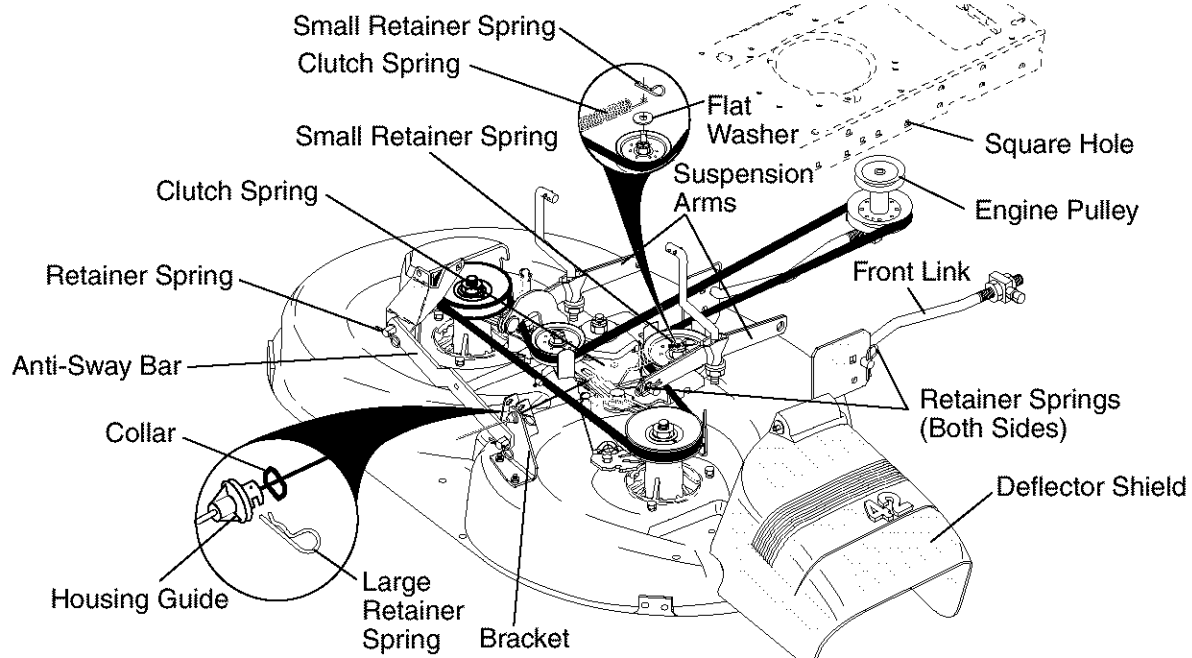
Mower will be easier to remove from the right side of tractor.

1. Place attachment clutch in "DISENGAGED" position.
2. Move attachment lift lever forward to lower mower to its lowest position.
3. Roll belt off engine pulley.
4. Remove small retainer spring, and remove clutch spring off pulley bolt.
5. Remove large retainer spring, slide collar off and push housing guide out of bracket.
6. Disconnect anti-sway bar from chassis bracket by removing retainer spring.
7. Disconnect suspension arms from rear deck brackets by removing retainer springs.
8. Disconnect front links from deck by removing retainer springs.
9. Raise lift lever to raise suspension arms. Slide mower out from under tractor.

**IMPORTANT:** If an attachment other than the mower deck is to be mounted on the tractor, remove the front links and hook the clutch spring into square hole in frame.

### TO INSTALL MOWER

1. Raise attachment lift lever to its highest position.
2. Slide mower under tractor with deflector shield to right side of tractor.
3. Lower lift lever to its lowest position.
4. Connect front links to mower deck and secure with retainer springs.
5. Connect suspension arms to rear deck brackets and secure with retainer springs.
6. Connect anti-sway bar to chassis bracket and secure with retainer spring.
7. Push clutch cable housing guide into bracket, slide collar onto guide and secure with large retainer spring.
8. Place flat washer and clutch spring on idler pulley bolt and secure with small retainer spring.
9. Install belt onto engine pulley.



## TO LEVEL MOWER HOUSING

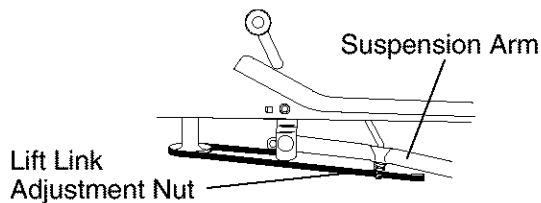
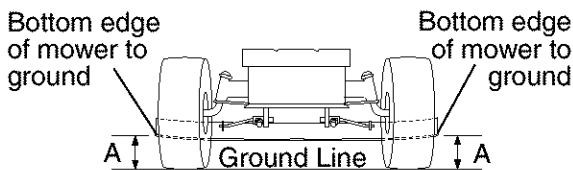
Adjust the mower while tractor is parked on level ground or driveway. Make sure tires are properly inflated (See "PRODUCT SPECIFICATIONS" section of this manual). If tires are over or underinflated, you will not properly adjust your mower.

### SIDE-TO-SIDE ADJUSTMENT

- Raise mower to its highest position.
- At the midpoint of both sides of mower, measure height from bottom edge of mower to ground. Distance "A" on both sides of mower should be the same or within 1/4" of each other.
- If adjustment is necessary, make adjustment on one side of mower only.
- To raise one side of mower, tighten lift link adjustment nut on that side.
- To lower one side of mower, loosen lift link adjustment nut on that side.

**NOTE:** Each full turn of adjustment nut will change mower height about 1/8".

- Recheck measurements after adjusting.



### FRONT-TO-BACK ADJUSTMENT

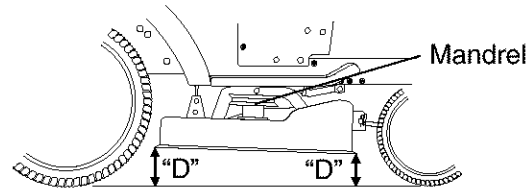
**IMPORTANT:** Deck must be level side-to-side. If the following front-to-back adjustment is necessary, be sure to adjust both front links equally so mower will stay level side-to-side.

To obtain the best cutting results, the mower housing should be adjusted so that the front is approximately 1/8" to 1/2" lower than the rear when the mower is in its highest position.

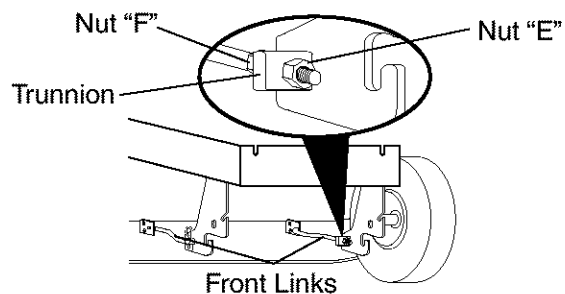
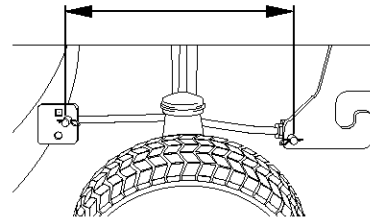
Check adjustment on right side of tractor. Measure distance "D" directly in front and behind the mandrel at bottom edge of mower housing as shown.

- Before making any necessary adjustments, check that both front links are equal in length.
- If links are not equal in length, adjust one link to same length as other link.

- To lower front of mower loosen nut "E" on both front links an equal number of turns.
- When distance "D" is 1/8" to 1/2" lower at front than rear, tighten nuts "F" against trunnion on both front links.
- To raise front of mower, loosen nut "F" from trunnion on both front links. Tighten nut "E" on both front links an equal number of turns. The two front links must remain equal in length.
- When distance "D" is 1/8" to 1/2" lower at front than rear, tighten nut "F" against trunnion on both front links.
- Recheck side-to-side adjustment.



Both Front Links Should be Equal in Length



## TO REPLACE MOWER BLADE DRIVE BELT

The mower blade drive belt may be replaced without tools. Park the tractor on level surface. Engage parking brake.

### BELT REMOVAL -

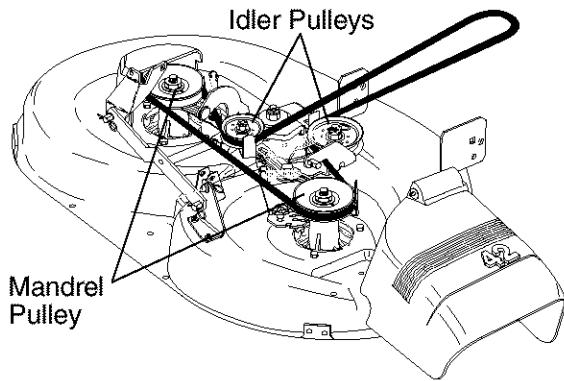
1. Remove mower from tractor (See "TO REMOVE MOWER" in this section of manual).
2. Work belt off both mandrel pulleys and idler pulleys.
3. Pull belt away from mower.

### BELT INSTALLATION -

1. Work belt around both mandrel pulleys and idler pulleys
2. Make sure belt is in all pulley grooves and inside all belt guides.



3. Install mower (See "To Install Mower" in this section of this manual).



### TO CHECK AND ADJUST BRAKE

Your tractor is equipped with an adjustable brake system which is mounted on the right side of the transaxle.

If tractor requires more than five (5) feet to stop at highest speed in highest gear on a level, dry concrete or paved surface, then brake must be checked and adjusted.

#### TO CHECK BRAKE

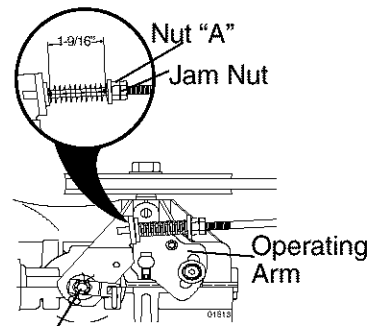
1. Park tractor on a level, dry concrete or paved surface, depress clutch/brake pedal all the way down and engage parking brake.
2. Disengage transmission by placing freewheel control in "transmission disengaged" position. Pull freewheel control out and into the slot and release so it is held in the disengaged position.

The rear wheels must lock and skid when you try to manually push the tractor forward. If the rear wheels rotate, the brake needs to be adjusted or the pads need to be replaced.

#### TO ADJUST BRAKE

1. Depress clutch/brake pedal all the way down and engage parking brake.
2. Measure distance between brake operating arm and nut "A" on brake rod.
3. If distance is other than 1-9/16", loosen jam nut and turn nut "A" until distance becomes 1-9/16". Retighten jam nut against nut "A".
4. Engage transmission by placing freewheel control in "transmission engaged" position.
5. Road test tractor for proper stopping distance as stated above. Readjust if necessary. If stopping distance is still greater than five (5) feet in highest gear, further maintenance is necessary. Replace brake pads or contact a Sears or other qualified service center.

### With parking brake "Engaged"



Do not touch this nut. If further brake adjustment is necessary contact a Sears or other qualified service center.

### TO REPLACE MOTION DRIVE BELT

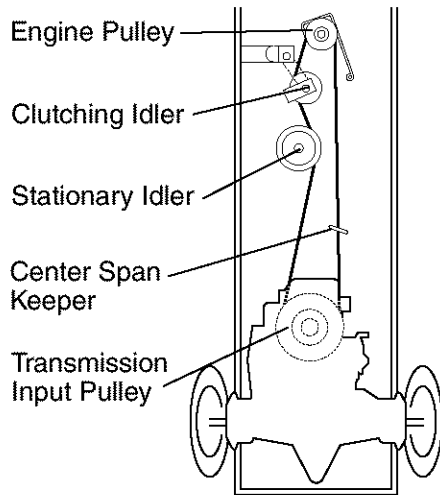
Park the tractor on level surface. Engage parking brake. For assistance, there is a belt installation guide decal on bottom side of left footrest.

#### BELT REMOVAL -

1. Remove mower (See "TO REMOVE MOWER" in this section of manual).
- NOTE:** Observe entire motion drive belt and position of all belt guides and keepers.
2. Remove belt from stationary idler and clutching idler.
3. Remove belt downward from around engine pulley.
4. Pull belt slack toward rear of tractor. Carefully remove belt upwards from transmission input pulley and over cooling fan blades.
5. Remove belt from center span keeper and pull belt away from tractor.

#### BELT INSTALLATION -

1. Carefully work new belt down around transmission cooling fan and onto the input pulley.
2. Slide belt into the center span keeper.
3. Pull belt toward front of tractor and roll around the top groove of engine pulley.
4. Install belt through stationary idler and clutching idler.
5. Make sure belt is in all pulley grooves and inside all belt guides and keepers.
6. Install mower (See "TO INSTALL MOWER" in this section of manual).



### TRANSAXLE MOTION CONTROL LEVER NEUTRAL ADJUSTMENT

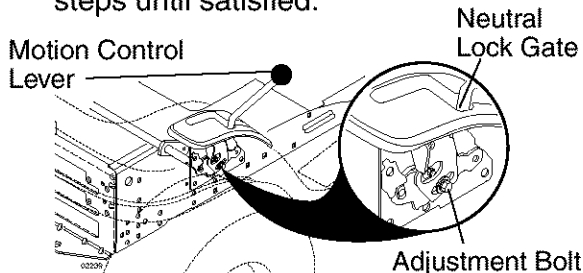
The motion control lever has been preset at the factory and adjustment should not be necessary.

1. Loosen adjustment bolt in front of the right rear wheel, and lightly tighten.
2. Start engine and move motion control lever until tractor does not move forward or backward.
3. Hold motion control lever in that position and turn engine off.
4. While holding motion control lever in place, loosen the adjustment bolt.
5. Move motion control lever to the neutral (N) (lock gate) position.
6. Tighten adjustment bolt securely.

**NOTE:** If additional clearance is needed to get to adjustment bolt, move mower deck height to the lowest position.

After above adjustment is made, if the tractor still creeps forward or backward while motion control lever is in neutral position, follow these steps:

1. Loosen the adjustment bolt.
2. Move the motion control lever 1/4 to 1/2 inch in the direction it is trying to creep.
3. Tighten adjustment bolt securely.
4. Start engine and test.
5. If tractor still creeps, repeat above steps until satisfied.



### TRANSMISSION REMOVAL/REPLACEMENT

Should your transmission require removal for service or replacement, it should be purged after reinstallation and before operating the tractor. See "PURGE TRANSMISSION" in the Operation section of this manual.

### TO ADJUST STEERING WHEEL ALIGNMENT

If steering wheel crossbars are not horizontal (left to right) when wheels are positioned straight forward, remove steering wheel and reassemble with crossbars horizontal. Tighten securely.

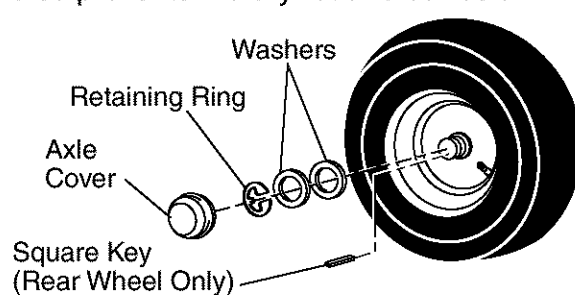
### FRONT WHEEL TOE-IN/CAMBER

The front wheel toe-in and camber are not adjustable on your tractor. If damage has occurred to affect the front wheel toe-in or camber, contact a Sears or other qualified service center.

### TO REMOVE WHEEL FOR REPAIRS

1. Block up axle securely.
2. Remove axle cover, retaining ring and washers to allow wheel removal (rear wheels have a square key - Do not lose).
3. Repair tire and reassemble.

**NOTE:** On rear wheels only: align grooves in rear wheel hub and axle. Insert square key.



### TO START ENGINE WITH A WEAK BATTERY

**WARNING:** Lead-acid batteries generate explosive gases. Keep sparks, flame and smoking materials away from batteries. Always wear eye protection when around batteries.

If your battery is too weak to start the engine, it should be recharged. (See "BATTERY" in the MAINTENANCE section of this manual).

If "jumper cables" are used for emergency starting, follow this procedure:

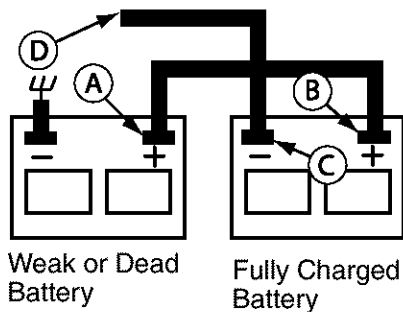
**IMPORTANT:** Your tractor is equipped with a 12 volt system. The other vehicle must also be a 12 volt system. Do not use your tractor battery to start other vehicles.

#### TO ATTACH JUMPER CABLES -

1. Connect one end of the RED cable to the POSITIVE (+) terminal of each battery(A-B), taking care not to short against tractor chassis.
2. Connect one end of the BLACK cable to the NEGATIVE (-) terminal (C) of fully charged battery.
3. Connect the other end of the BLACK cable (D) to good chassis ground, away from fuel tank and battery.

#### TO REMOVE CABLES, REVERSE ORDER -

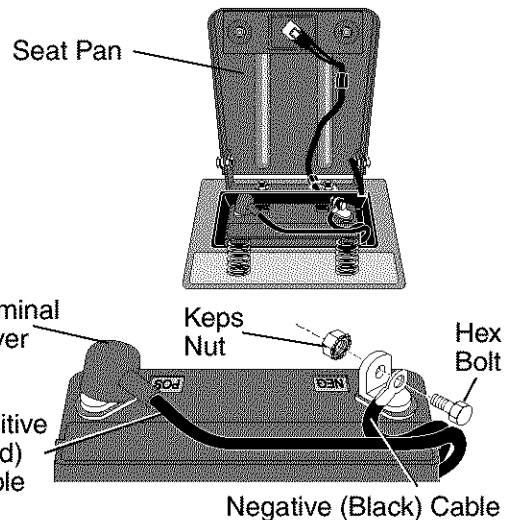
1. BLACK cable first from chassis and then from the fully charged battery.
2. RED cable last from both batteries.



#### REPLACING BATTERY

**⚠WARNING:** Do not short battery terminals by allowing a wrench or any other object to contact both terminals at the same time. Before connecting battery, remove metal bracelets, wristwatch bands, rings, etc. Positive terminal must be connected first to prevent sparking from accidental grounding.

1. Lift seat pan to raised position.
2. Disconnect BLACK battery cable first then RED battery cable and carefully remove battery from tractor.
3. Install new battery with terminals in same position as old battery.
4. First connect RED battery cable to positive (+) terminal with hex bolt and keps nut as shown. Tighten securely. Slide terminal cover over terminal.
5. Connect BLACK grounding cable to negative (-) terminal with remaining hex bolt and keps nut. Tighten securely.



#### TO REPLACE HEADLIGHT BULB

1. Raise hood.
2. Pull bulb holder out of the hole in the backside of the grill.
3. Replace bulb in holder and push bulb holder securely back into the hole in the backside of the grill.
4. Close hood.

#### INTERLOCKS AND RELAYS

Loose or damaged wiring may cause your tractor to run poorly, stop running, or prevent it from starting.

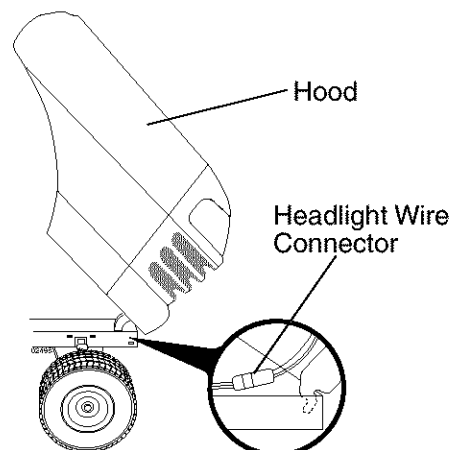
- Check wiring. See electrical wiring diagram in the Repair Parts section.

#### TO REPLACE FUSE

Replace with 20 amp automotive-type plug-in fuse. The fuse holder is located behind the dash.

#### TO REMOVE HOOD AND GRILL ASSEMBLY

1. Raise hood.
2. Unsnap headlight wire connector.
3. Stand in front of tractor. Grasp hood at sides, tilt toward engine and lift off of tractor.
4. When replacing hood, be sure to re-connect the headlight wire connector.



## ENGINE

Maintenance, repair, or replacement of the emission control devices and systems, which are being done at the customer's expense, may be performed by any non-road engine repair establishment or individual. Warranty repairs must be performed by an authorized engine manufacturer's service outlet.

### TO ADJUST THROTTLE CONTROL CABLE

The throttle control has been preset at the factory and adjustment should not be necessary. Check adjustment as described below before loosening cable. If adjustment is necessary, proceed as follows:

1. With engine not running, move throttle control lever from slow to choke position. Slowly move lever from choke to fast position.
2. Check to see if hole in throttle lever and hole in speed control bracket are aligned.
3. If holes are not aligned, loosen cable clamp screw and align the holes by inserting a pencil or a 1/4" drill bit through both holes.
4. Pull throttle cable up to remove slack and tighten cable clamp screw. Remove alignment pencil or drill bit.

### TO ADJUST CARBURETOR

The carburetor has been preset at the factory and adjustment should not be necessary. However, minor adjustment may be required to compensate for differences in fuel, temperature, altitude or load. If the carburetor does need adjustment, proceed as follows:

In general, turning the adjusting needles **in** (clockwise) decreases the supply of fuel to the engine giving a leaner fuel/air mixture. Turning the adjusting needles **out** (counterclockwise) increases the supply of fuel to the engine giving a richer fuel/air mixture.

**IMPORTANT:** Damage to the needles and seats in carburetor may result if turned in too tight.

**NOTE:** The carburetor on this engine is low emission. It is equipped with an idle fuel adjusting needle with a limiter cap, which allows some adjustment within the limits allowed by the cap. Do not attempt to remove the limiter cap. The limiter cap cannot be removed without breaking the adjusting needle.

1. Be sure you have a clean air filter and the throttle control cable is adjusted properly (see above).

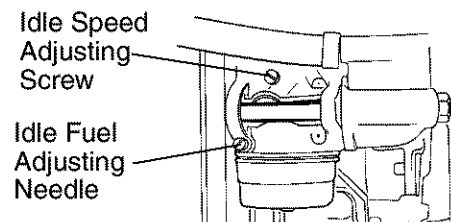
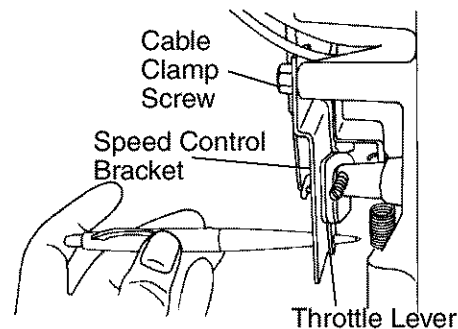
2. Start engine and allow to warm for five minutes. Make adjustments with engine running and shift/motion control lever in neutral (N) position.
3. **Idle speed setting** - With throttle control lever in slow position, engine should idle at 1750 RPM. If engine idles too slow or fast, turn idle speed adjusting screw in or out until correct idle is attained.
4. **Idle fuel needle setting** - With throttle control lever in slow position, turn idle fuel adjustment needle **in** (clockwise) until engine begins to die and then turn **out** (counterclockwise) until engine runs rough. Turn needle to a point midway between those two positions.
5. Recheck idle speed. Readjust if necessary.

### ACCELERATION TEST -

6. Move throttle control lever from slow to fast position. If engine hesitates or dies, turn idle fuel adjusting needle **out** (counterclockwise) 1/8 turn. Repeat test and continue to adjust, if necessary, until engine accelerates smoothly.

High speed stop is factory adjusted. Do not adjust - damage may result.

**IMPORTANT:** Never tamper with the engine governor, which is factory set for proper engine speed. Overspeeding the engine above the factory high speed setting can be dangerous. If you think the engine-governed high speed needs adjusting, contact a Sears or other qualified service center, which has proper equipment and experience to make any necessary adjustments.



# STORAGE

Immediately prepare your tractor for storage at the end of the season or if the tractor will not be used for 30 days or more.

**⚠️WARNING:** Never store the tractor with gasoline in the tank inside a building where fumes may reach an open flame or spark. Allow the engine to cool before storing in any enclosure.

## TRACTOR

Remove mower from tractor for winter storage. When mower is to be stored for a period of time, clean it thoroughly, remove all dirt, grease, leaves, etc. Store in a clean, dry area.

1. Clean entire tractor (See "CLEANING" in the Maintenance section of this manual).
2. Inspect and replace belts, if necessary (See belt replacement instructions in the Service and Adjustments section of this manual).
3. Lubricate as shown in the Maintenance section of this manual.
4. Be sure that all nuts, bolts and screws are securely fastened. Inspect moving parts for damage, breakage and wear. Replace if necessary.
5. Touch up all rusted or chipped paint surfaces; sand lightly before painting.

## BATTERY

- Fully charge the battery for storage.
- After a period of time in storage, battery may require recharging.
- To help prevent corrosion and power leakage during long periods of storage, battery cables should be disconnected and battery cleaned thoroughly (see "TO CLEAN BATTERY AND TERMINALS" in the Maintenance section of this manual).
- After cleaning, leave cables disconnected and place cables where they cannot come in contact with battery terminals.
- If battery is removed from tractor for storage, do not store battery directly on concrete or damp surfaces.

## ENGINE

### FUEL SYSTEM

**IMPORTANT:** It is important to prevent gum deposits from forming in essential fuel system parts such as carburetor, fuel hose, or tank during storage.

Also, alcohol blended fuels (called gasohol or using ethanol or methanol) can attract moisture which leads to separation and formation of acids during storage. Acidic gas can damage the fuel system of an engine while in storage.

1. Drain the fuel tank.
  2. Start the engine and let it run until the fuel lines and carburetor are empty.
- Never use engine or carburetor cleaner products in the fuel tank or permanent damage may occur.
  - Use fresh fuel next season.

**NOTE:** Fuel stabilizer is an acceptable alternative in minimizing the formation of fuel gum deposits during storage. Add stabilizer to gasoline in fuel tank or storage container. Always follow the mix ratio found on stabilizer container. Run engine at least 10 minutes after adding stabilizer to allow the stabilizer to reach the carburetor. Do not drain the gas tank and carburetor if using fuel stabilizer.

### ENGINE OIL

Drain oil (with engine warm) and replace with clean engine oil. (See "ENGINE" in the Maintenance section of this manual).

### CYLINDER(S)

1. Remove spark plug(s).
2. Pour one ounce of oil through spark plug hole(s) into cylinder(s).
3. Turn ignition key to start position for a few seconds to distribute oil.
4. Replace with new spark plug(s).

### OTHER

- Do not store gasoline from one season to another.
- Replace your gasoline can if your can starts to rust. Rust and/or dirt in your gasoline will cause problems.
- If possible, store your tractor indoors and cover it to give protection from dust and dirt.
- Cover your tractor with a suitable protective cover that does not retain moisture. Do not use plastic. Plastic cannot breathe which allows condensation to form and will cause your tractor to rust.

**IMPORTANT:** Never cover tractor while engine and exhaust areas are still warm.

**TROUBLESHOOTING CHART:**

See appropriate section in manual unless directed to Sears service center

| <b>PROBLEM</b>                           | <b>CAUSE</b>  | <b>CORRECTION</b>  |
|--|---|--|
| <b>Will not start</b>                    | <ol style="list-style-type: none"> <li>1. Out of fuel.</li> <li>2. Engine not "CHOKED" properly.</li> <li>3. Engine flooded.</li> <li>4. Bad spark plug.</li> <li>5. Dirty air filter.</li> <li>6. Dirty fuel filter.</li> <li>7. Water in fuel.</li> <li>8. Loose or damaged wiring.</li> <li>9. Carburetor out of adjustment.</li> <li>10. Engine valves out of adjustment.</li> </ol>      | <ol style="list-style-type: none"> <li>1. Fill fuel tank.</li> <li>2. See "TO START ENGINE" in Operation section.</li> <li>3. Wait several minutes before attempting to start.</li> <li>4. Replace spark plug.</li> <li>5. Clean/replace air filter.</li> <li>6. Replace fuel filter.</li> <li>7. Drain fuel tank and carburetor, refill tank with fresh gasoline and replace fuel filter.</li> <li>8. Check all wiring.</li> <li>9. See "To Adjust Carburetor" in Service and Adjustments section.</li> <li>10. Contact a Sears or other qualified service center.</li> </ol> |
| <b>Hard to start</b>                     | <ol style="list-style-type: none"> <li>1. Dirty air filter.</li> <li>2. Bad spark plug.</li> <li>3. Weak or dead battery.</li> <li>4. Dirty fuel filter.</li> <li>5. Stale or dirty fuel.</li> <li>6. Loose or damaged wiring.</li> <li>7. Carburetor out of adjustment.</li> <li>8. Engine valves out of adjustment.</li> </ol>  | <ol style="list-style-type: none"> <li>1. Clean/replace air filter.</li> <li>2. Replace spark plug.</li> <li>3. Recharge or replace battery.</li> <li>4. Replace fuel filter.</li> <li>5. Drain fuel tank and refill with fresh gasoline.</li> <li>6. Check all wiring.</li> <li>7. See "To Adjust Carburetor" in Service and Adjustments section.</li> <li>8. Contact a Sears or other qualified service center.</li> </ol>   |
| <b>Engine will not turn over clutch.</b> | <ol style="list-style-type: none"> <li>1. Brake pedal not depressed.</li> <li>2. Attachment clutch is engaged.</li> <li>3. Weak or dead battery.</li> <li>4. Blown fuse.</li> <li>5. Corroded battery terminals.</li> <li>6. Loose or damaged wiring.</li> <li>7. Faulty ignition switch.</li> <li>8. Faulty solenoid or starter.</li> <li>9. Faulty operator presence switch(es).</li> </ol> | <ol style="list-style-type: none"> <li>1. Depress brake pedal.</li> <li>2. Disengage attachment</li> <li>3. Recharge or replace battery.</li> <li>4. Replace fuse.</li> <li>5. Clean battery terminals.</li> <li>6. Check all wiring.</li> <li>7. Check/replace ignition switch.</li> <li>8. Check/replace solenoid or starter.</li> <li>9. Contact a Sears or other qualified service center.</li> </ol>  |
| <b>Engine clicks but will not start</b>  | <ol style="list-style-type: none"> <li>1. Weak or dead battery.</li> <li>2. Corroded battery terminals.</li> <li>3. Loose or damaged wiring.</li> <li>4. Faulty solenoid or starter.</li> </ol>   | <ol style="list-style-type: none"> <li>1. Recharge or replace battery.</li> <li>2. Clean battery terminals.</li> <li>3. Check all wiring.</li> <li>4. Check/replace solenoid or starter.</li> </ol>  |

## TROUBLESHOOTING CHART:

See appropriate section in manual unless directed to Sears service center

| PROBLEM   | CAUSE  | CORRECTION   |
|---|--|--|
| <b>Loss of power</b>  | <ol style="list-style-type: none"> <li>Cutting too much grass/too fast.</li> <li>Throttle in "CHOKE" position.</li> <li>Build-up of grass, leaves and trash under mower.</li> <li>Dirty air filter.</li> <li>Low oil level/dirty oil.</li> <li>Faulty spark plug.</li> <li>Dirty fuel filter.</li> <li>Stale or dirty fuel.</li> <li>Water in fuel.</li> <li>Spark plug wire loose.</li> <li>Dirty engine air screen/fins.</li> <li>Dirty/clogged muffler.</li> <li>Loose or damaged wiring.</li> <li>Carburetor out of adjustment.</li> <li>Engine valves out of adjustment.</li> </ol> | <ol style="list-style-type: none"> <li>Set in "Higher Cut" position/ reduce speed.</li> <li>Adjust throttle control.</li> <li>Clean underside of mower housing.</li> <li>Clean/replace air filter.</li> <li>Check oil level/change oil.</li> <li>Clean and regap or change spark plug.</li> <li>Replace fuel filter.</li> <li>Drain fuel tank and refill with fresh gasoline.</li> <li>Drain fuel tank and carburetor, refill tank with fresh gasoline and replace fuel filter.</li> <li>Connect and tighten spark plug wire.</li> <li>Clean engine air screen/fins.</li> <li>Clean/replace muffler.</li> <li>Check all wiring.</li> <li>See "To Adjust Carburetor" in Service and Adjustments section.</li> <li>Contact a Sears or other qualified service center.</li> </ol> |
| <b>Excessive blade vibration</b>  | <ol style="list-style-type: none"> <li>Worn, bent or loose blade.</li> <li>Bent blade mandrel.</li> <li>Loose/damaged part(s).</li> </ol>  | <ol style="list-style-type: none"> <li>Replace blade. Tighten bolt.</li> <li>Contact a Sears or other qualified service center.</li> <li>Tighten loose part(s). Replace damaged parts.</li> </ol>  |
| <b>Engine continues to run when operator leaves seat with attachment clutch engaged</b> | <ol style="list-style-type: none"> <li>Faulty operator-safety presence control system.</li> </ol>  | <ol style="list-style-type: none"> <li>Check wiring, switches and connections. If not corrected, contact a Sears or other qualified service center.</li> </ol>   |
| <b>Poor cut - uneven</b>  | <ol style="list-style-type: none"> <li>Worn, bent or loose blade.</li> <li>Mower deck not level.</li> <li>Buildup of grass, leaves, and trash under mower.</li> <li>Bent blade mandrel.</li> <li>Clogged mower deck vent from build-up of grass, leaves, and trash around mandrels.</li> </ol>   | <ol style="list-style-type: none"> <li>Replace blade. Tighten blade bolt.</li> <li>Level mower deck.</li> <li>Clean underside of mower housing.</li> <li>Contact a Sears or other qualified service center.</li> <li>Clean around mandrels to open vent holes.</li> </ol>  |

**TROUBLESHOOTING CHART:**

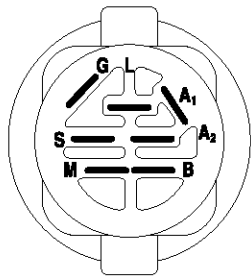
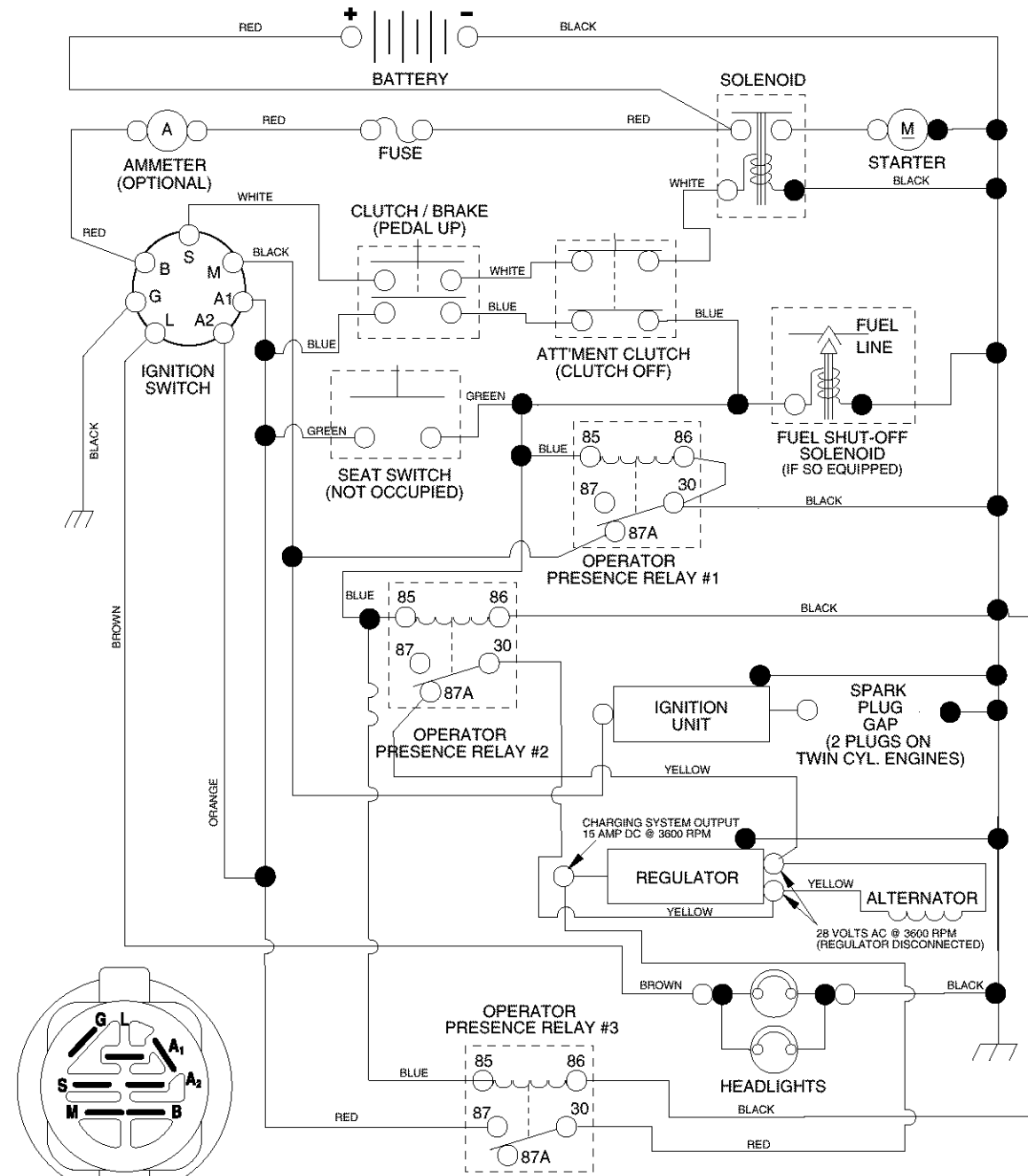
See appropriate section in manual unless directed to Sears service center

| <b>PROBLEM</b>                                      | <b>CAUSE</b>   | <b>CORRECTION</b>   |
|---|--|---|
| <b>Mower blades will not rotate</b>                 | <ol style="list-style-type: none"> <li>1. Obstruction in clutch mechanism.</li> <li>2. Worn/damaged mower drive belt.</li> <li>3. Frozen idler pulley.</li> <li>4. Frozen blade mandrel.</li> </ol>  | <ol style="list-style-type: none"> <li>1. Remove obstruction.</li> <li>2. Replace mower drive belt.</li> <li>3. Replace idler pulley.</li> <li>4. Contact a Sears or other qualified service center.</li> </ol>   |
| <b>Poor grass discharge</b>                         | <ol style="list-style-type: none"> <li>1. Engine speed too slow.</li> <li>2. Travel speed too fast.</li> <li>3. Wet grass.</li> <li>4. Mower deck not level.</li> <li>5. Low/uneven tire air pressure.</li> <li>6. Worn, bent or loose blade.</li> <li>7. Buildup of grass, leaves and trash under mower.</li> <li>8. Mower drive belt worn.</li> <li>9. Blades improperly installed.</li> <li>10. Improper blades used.</li> <li>11. Clogged mower deck vent holes from buildup of grass, leaves, and trash around mandrels.</li> </ol> | <ol style="list-style-type: none"> <li>1. Place throttle control in "FAST" position.</li> <li>2. Shift to slower speed.</li> <li>3. Allow grass to dry before mowing.</li> <li>4. Level mower deck.</li> <li>5. Check tires for proper air pressure.</li> <li>6. Replace/sharpen blade. Tighten blade bolt.</li> <li>7. Clean underside of mower housing.</li> <li>8. Replace mower drive belt.</li> <li>9. Reinstall blades sharp edge down.</li> <li>10. Replace with blades listed in this manual.</li> <li>11. Clean around mandrels to open vent holes.</li> </ol> |
| <b>Headlight(s) not working (if so equipped)</b>    | <ol style="list-style-type: none"> <li>1. Switch is "OFF".</li> <li>2. Bulb(s) or lamp(s) burned out.</li> <li>3. Faulty light switch.</li> <li>4. Loose or damaged wiring.</li> <li>5. Blown fuse.</li> </ol>   | <ol style="list-style-type: none"> <li>1. Turn switch "ON".</li> <li>2. Replace bulb(s) or lamp(s).</li> <li>3. Check/replace light switch.</li> <li>4. Check wiring and connections.</li> <li>5. Replace fuse.</li> </ol>  |
| <b>Battery will not charge</b>                      | <ol style="list-style-type: none"> <li>1. Bad battery cell(s).</li> <li>2. Poor cable connections.</li> <li>3. Faulty regulator (if so equipped).</li> <li>4. Faulty alternator.</li> </ol>  | <ol style="list-style-type: none"> <li>1. Replace battery.</li> <li>2. Check/clean all connections.</li> <li>3. Replace regulator.</li> <li>4. Replace alternator.</li> </ol>   |
| <b>Loss of drive</b>                                | <ol style="list-style-type: none"> <li>1. Freewheel control in "disengaged" position.</li> <li>2. Motion drive belt worn, damaged, or broken.</li> <li>3. Air trapped in transmission during shipment or servicing.</li> </ol>   | <ol style="list-style-type: none"> <li>1. Place freewheel control in "engaged" position.</li> <li>2. Replace motion drive belt.</li> <li>3. Purge transmission.</li> </ol>  |
| <b>Engine "backfires" when turning engine "OFF"</b> | <ol style="list-style-type: none"> <li>1. Engine throttle control not set at "SLOW" position for 30 seconds before stopping engine.</li> </ol>   | <ol style="list-style-type: none"> <li>1. Move throttle control to "SLOW" position and allow to idle for 30 seconds before stopping engine.</li> </ol>  |



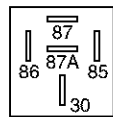
# TRACTOR - - MODEL NUMBER 917.273142

## SCHEMATIC



**IGNITION SWITCH**

| POSITION  | CIRCUIT    | "MAKE" |
|-----------|------------|--------|
| OFF       | M+G+A1     | NONE   |
| RUN/LIGHT | B+A1       | A2+L   |
| RUN       | B+A1       | NONE   |
| START     | B + S + A1 | NONE   |



**RELAY**



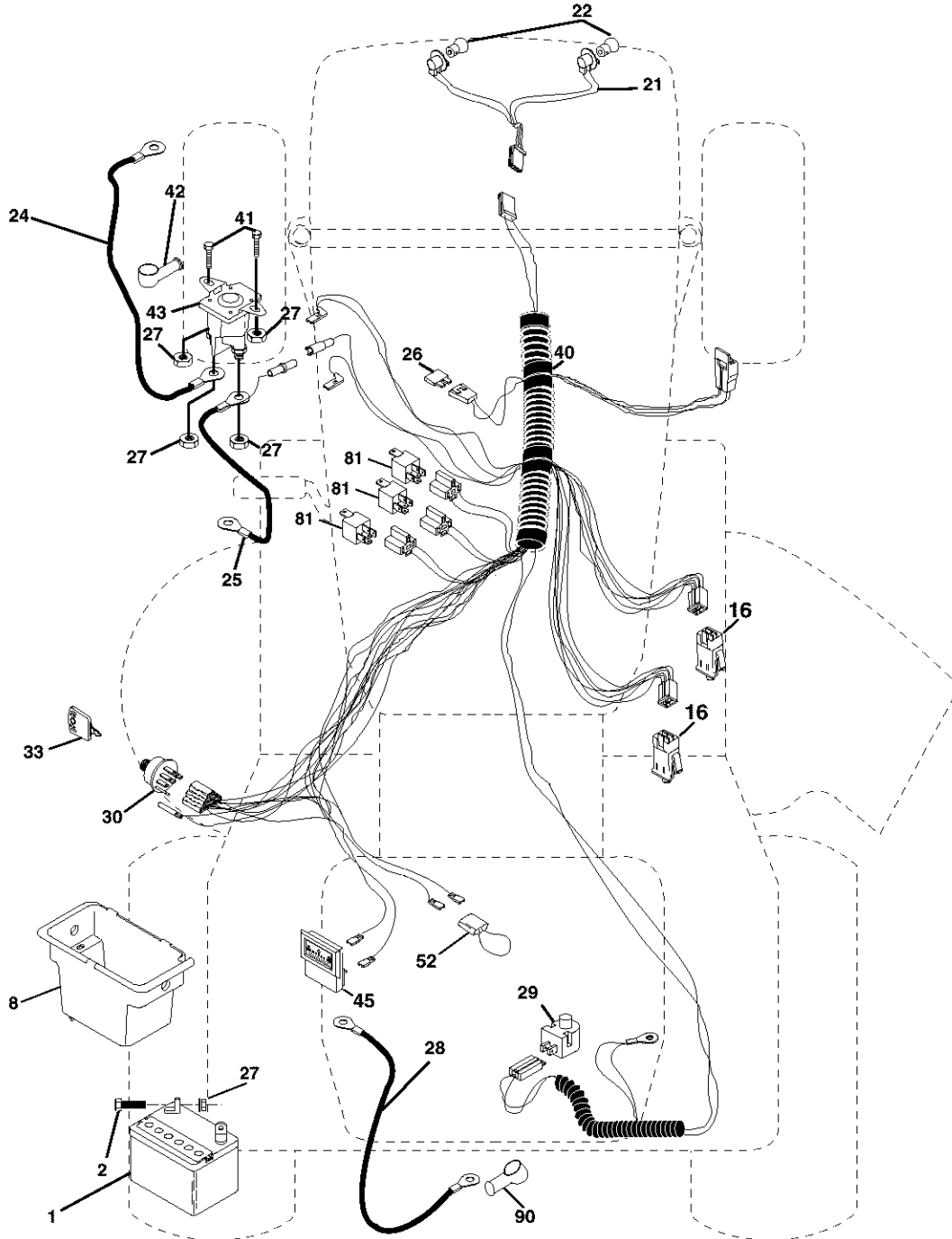
**WIRING INSULATED CLIPS**

**NOTE:** IF WIRING INSULATED CLIPS WERE REMOVED FOR SERVICING OF UNIT, THEY SHOULD BE REPLACED TO PROPERLY SECURE YOUR WIRING.

# REPAIR PARTS

TRACTOR - - MODEL NUMBER 917.273142

## ELECTRICAL



# ELECTRICAL

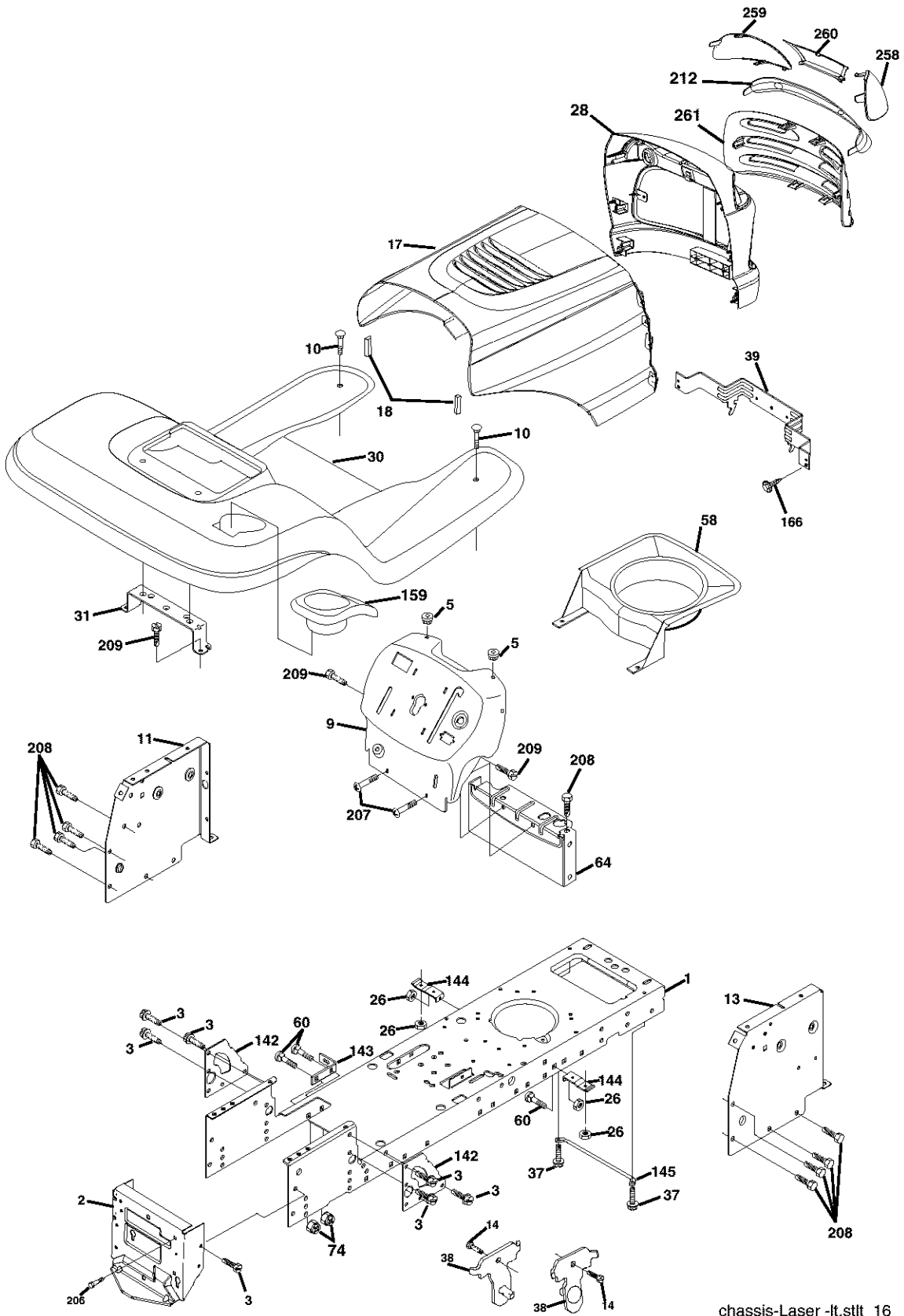
## TRACTOR - - MODEL NUMBER 917.273142

| KEY<br>NO. | PART<br>NO. | DESCRIPTION                        |
|------------|-------------|------------------------------------|
| 1          | 163465      | Battery                            |
| 2          | 74760412    | Bolt Hex Hd 1/4-20 Unc x 3/4       |
| 8          | 176689      | Box Battery                        |
| 16         | 176137      | Switch, Interlock                  |
| 21         | 183759      | Harness Asm Light W/4152j          |
| 22         | 4152J       | Bulb Light #1156                   |
| 24         | 4799J       | Cable Battery 6 Ga 11" red         |
| 25         | 146147      | Cable Battery 6 Ga w/16 wire red   |
| 26         | 175158      | Fuse                               |
| 27         | 73510400    | Nut Keps Hex 1/4-20 Unc            |
| 28         | 4207J       | Cable Ground 6 Ga 12" black        |
| 29         | 160784      | Switch Plunger Normal Op Olive     |
| 30         | 175566      | Switch Ign                         |
| 33         | 140403      | Key Ign                            |
| 40         | 179722      | Harness Ign                        |
| 41         | 71110408    | Bolt Blk. Fin Hex 1/4-20 Unc x 1/2 |
| 42         | 131563      | Cover Terminal Red                 |
| 43         | 178861      | Solenoid                           |
| 45         | 122822X     | Ammeter Rectangular 15 Amp         |
| 52         | 141940      | Protection Wire Loop               |
| 81         | 109748X     | Relay Asm                          |
| 90         | 180449      | Cover Terminal                     |

**NOTE:** All component dimensions given in U.S. inches  
1 inch = 25.4 mm

# TRACTOR - - MODEL NUMBER 917.273142

## CHASSIS AND ENCLOSURES



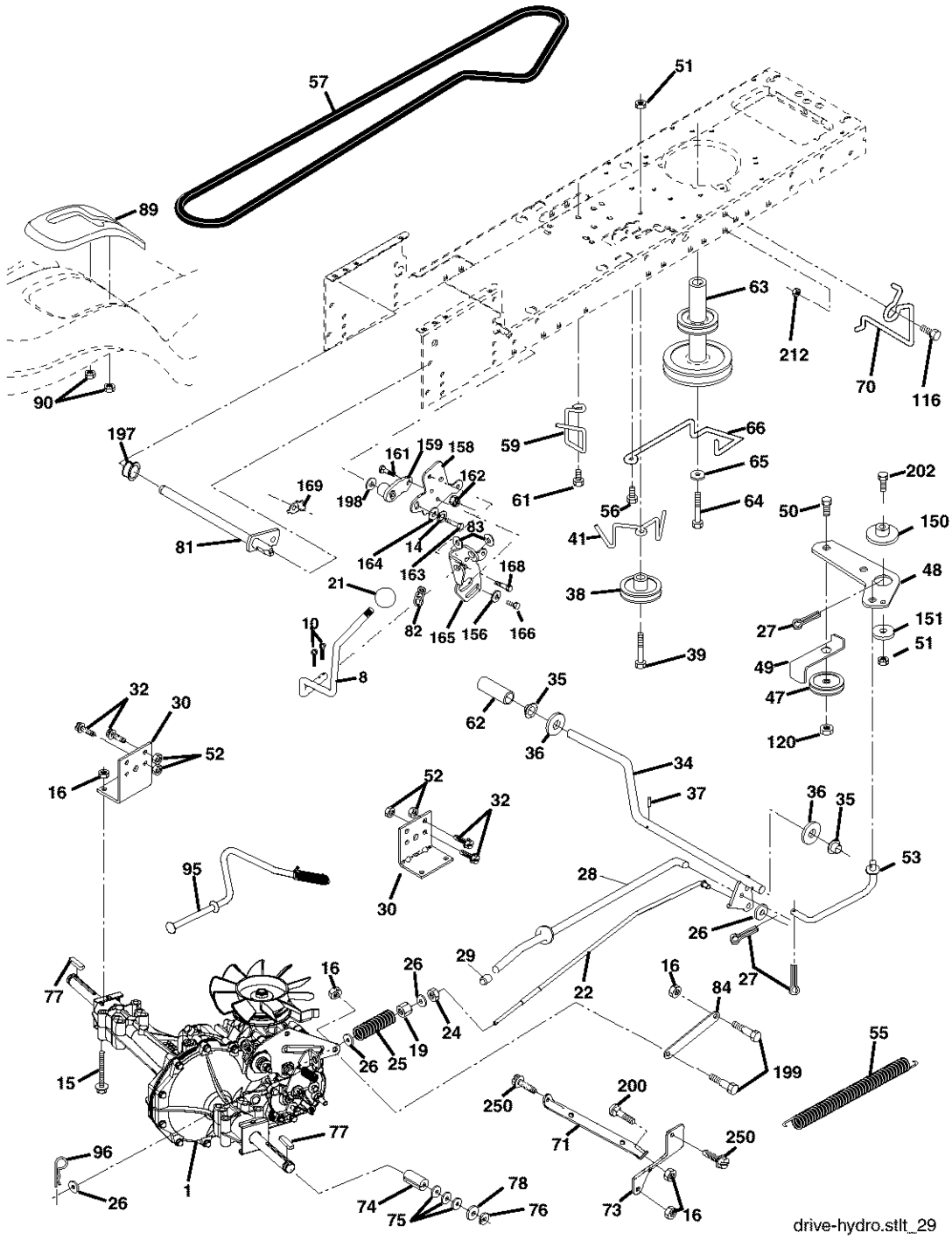
chassis-Laser -lt.stit\_16

**TRACTOR - - MODEL NUMBER 917.273142**  
**CHASSIS AND ENCLOSURES**

| <b>KEY NO.</b> | <b>PART NO.</b> | <b>DESCRIPTION</b>              |
|----------------|-----------------|---------------------------------|
| 1              | 174619          | Chassis                         |
| 2              | 176554          | Drawbar                         |
| 3              | 17060612        | Screw 3/8-16 x 3/4              |
| 5              | 155272          | Bumper Hood/Dash                |
| 9              | 168337X013      | Dash                            |
| 10             | STD533710       | Bolt, Carriage 3/8-16 x 3/4     |
| 11             | 174996          | Panel, Dash, L.H.               |
| 13             | 172105X010      | Panel, Dash, R.H.               |
| 14             | 17490608        | Screw Thdrol 3/8-16 x 1/2       |
| 17             | 185682X613      | Hood Assembly                   |
| 18             | 184921          | Bumper Hood                     |
| 26             | STD541437       | Nut                             |
| 28             | 184247          | Grille                          |
| 30             | 175692X613      | Fend/Ftrest                     |
| 31             | 139976          | Bracket, Fender Support         |
| 37             | 17490508        | Screw Thdrol 5/16-18 x 1/2      |
| 38             | 175710          | Pivot Bracket Assembly, Rear    |
| 39             | 174714          | Bracket Pivot Laser Lt          |
| 58             | 150127          | Duct Air Engine                 |
| 60             | 72140606        | Bolt Rdhd Sqnk 3/8-16 Unc x 1   |
| 64             | 154798          | Dash Lower STLT                 |
| 74             | STD541437       | Nut Crownlock 3/8016 Unc        |
| 142            | 175702          | Plate Reinforcement STLT        |
| 143            | 154966          | Bracket Swaybar Chassis         |
| 144            | 175582          | Bracket Pnt Footrest STLT       |
| 145            | 156524          | Rod Pivot Chassis/Hood          |
| 159            | 155123X428      | Cupholder Stilt Black           |
| 166            | 171875          | Screw Hwhd Hi-Lo #13-16 x 3/4   |
| 206            | 170165          | Bolt Shoulder 5/16-18 TT        |
| 207            | 17670508        | Screw Thdrol 5/16-18 x 1/2 Tytt |
| 209            | 17000612        | Screw Hexwsh Thdr 3/8-16 x 3/4  |
| 212            | 184248          | Insert Lens Reflective          |
| 258            | 184245X599      | Lens Laser RH                   |
| 259            | 184246X599      | Lens Laser LH                   |
| 260            | 184250X428      | Cover Lens Laser                |
| 261            | 184258X428      | Insert Grille Laser             |
| --             | 5479J           | Plug, Button                    |

**NOTE:** All component dimensions given in U.S. inches  
1 inch = 25.4 mm

TRACTOR - - MODEL NUMBER 917.273142  
GROUND DRIVE



drive-hydro.stlt\_29

## TRACTOR - - MODEL NUMBER 917.273142

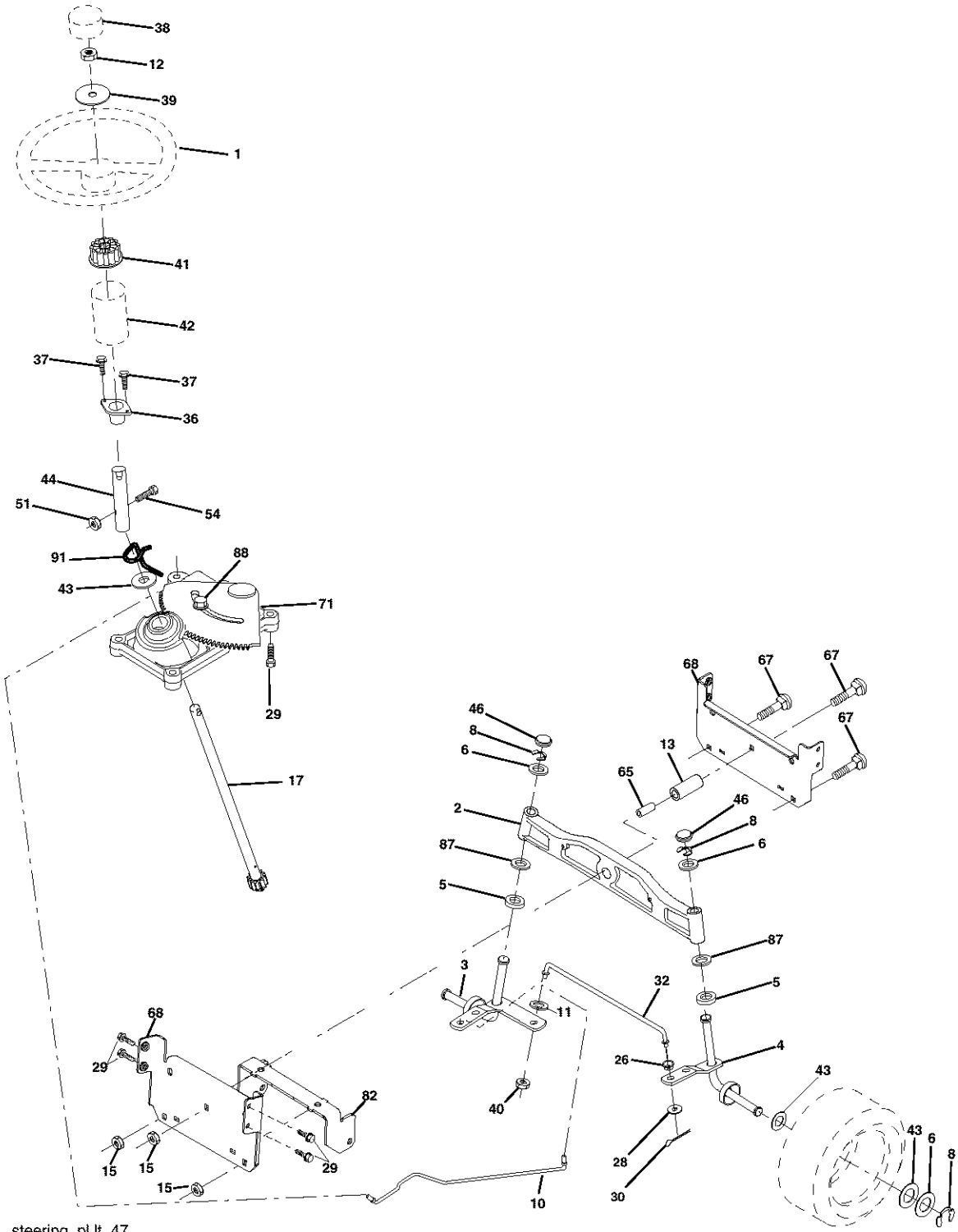
### GROUND DRIVE

| KEY NO. | PART NO.  | DESCRIPTION   | KEY NO. | PART NO.   | DESCRIPTION                        |
|---------|-----------|---|---------|------------|------------------------------------|
| 1       | -----     | Transmission (See Breakdown)<br>Hydro Gear Model 314-0510 | 70      | 134683     | Guide, Belt, Mower Drive RH        |
| 8       | 165866    | Rod, Shift  | 71      | 169183     | Strap, Torque, Lh                  |
| 10      | STD561210 | Pin, Cotter 1/8 x 1                                       | 73      | 169182     | Strap, Torque, Rh                  |
| 14      | STD551125 | Washer Lock 1/4   | 74      | 137057     | Spacer, Axle                       |
| 15      | 74490544  | Bolt Hex Flghd 5/16-18 Gr. 5                              | 75      | 121749X    | Washer 25/32 x 1-1/4 x 16 Ga.      |
| 16      | 73800500  | Nut, Lock Hex w/Ins 5/16-18 Unc                           | 76      | 12000001   | Ring, E                            |
| 19      | 73800600  | Nut Lock Hex w/Ins 3/8-16                                 | 77      | 123583X    | Key, Square                        |
| 21      | 130564    | Knob  | 78      | 121748X    | Washer 25/32 x 1-5/8 x 16 Ga.      |
| 22      | 169498    | Rod, Brake  | 81      | 165596     | Shaft Asm Cross                    |
| 24      | 73350600  | Nut   | 82      | 165711     | Spring, Torsion                    |
| 25      | 106888X   | Spring, Rod, Brake  | 83      | 19171216   | Washer 17/32 x 3/4 x 16 Ga.        |
| 26      | 19131316  | Washer 13/32 x 13/16 x 16 Ga.                             | 84      | 169594     | Link Transaxle                     |
| 27      | STD561210 | Pin, Cotter 1/8 x 3/4                                     | 89      | 164890X428 | Console, Shift                     |
| 28      | 175765    | Rod, Parking Brake  | 90      | 124346X    | Nut Self-Thd Wshd 1/4              |
| 29      | 71673     | Cap, Parking Brake  | 95      | 170201     | Control Asm Bypass Hydro           |
| 30      | 169592    | Bracket, Transmission                                     | 96      | STD624003  | Spring, Retainer 1"                |
| 32      | 74760512  | Bolt Hex 5/16-18 Unc x 3/4                                | 116     | 72140608   | Bolt Rdhd Sq Neck 3/8-16 x 1       |
| 34      | 175578    | Shaft, Foot Pedal   | 120     | 73900600   | Nut Lock Fig 3/8-16                |
| 35      | 120183X   | Bearing, Nylon  | 150     | 175456     | Spacer Retainer                    |
| 36      | 19211616  | Washer  | 151     | 19133210   | Washer 13/32 x 2 x 10              |
| 37      | 1572H     | Pin, Roll   | 156     | 166002     | Washer 5/16 x 1.0 x 1.25           |
| 38      | 179114    | Pulley, Composite   | 158     | 165589     | Bracket Shift Mount                |
| 39      | 74760648  | Bolt  | 159     | 183900     | Hub Tapered Flange Shift           |
| 41      | 175556    | Keeper, Belt, Idler                                       | 161     | 72140406   | Bolt Rdhd Sqnk 1/4-20 x 3/4 Gr. 5  |
| 47      | 127783    | Pulley, Idler, V-Belt                                     | 162     | 73680400   | Nut Crownlock 1/4-20 Unc           |
| 48      | 154407    | Bellcrank Clutch Grnd Drustl                              | 163     | 74780416   | Bolt Hex Fin 1/4-20 x 1            |
| 49      | 123205X   | Retainer, Belt  | 164     | 19091010   | Washer 5/8 x .281 x 10 Ga.         |
| 50      | 72110612  | Bolt Carr. Sh 3/8-16 x 1-1/2 Gr. 5                        | 165     | 165623     | Bracket Pivot Lever                |
| 51      | STD541437 | Nut   | 166     | 166880     | Screw 5/16 x 1.0 x .125            |
| 52      | STD541431 | Nut Crownlock 5/16-18                                     | 168     | 165492     | Bolt Shoulder 5/16-18 x .561       |
| 53      | 105710X   | Link, Clutch  | 169     | 165580     | Plate Fastener Cross Shaft         |
| 55      | 105709X   | Spring, Return, Clutch                                    | 197     | 169613     | Nyliner Snap-In                    |
| 56      | 17060620  | Screw 3/8-16 x 1-1/4                                      | 198     | 169593     | Washer Nyliner                     |
| 57      | 140294    | V-Belt, Drive   | 199     | 169612     | Bolt Shoulder 5/16-18 Unc          |
| 59      | 169691    | Keeper, Belt, Center                                      | 200     | 72140508   | Bolt RdHd Sqnk<br>5/16-18 Unc x 1  |
| 61      | 17120614  | Screw 3/8-16 x .875                                       | 202     | 72110614   | Bolt Carr. Sh 3/8-16 x 1-3/4 Gr. 5 |
| 62      | 8883R     | Cover, Pedal  | 212     | 145212     | Nut Hex Flange Lock                |
| 63      | 175410    | Pulley, Engine  | 250     | 17060612   | Screw 3/8-16 x 3/4                 |
| 64      | 173937    | Bolt Hex 7/16 x 20 x 4 x Gr. 5-1.5                        |         |            |                                    |
| 65      | 10040700  | Washer  |         |            |                                    |
| 66      | 154778    | Keeper, Belt Engine Hydro                                 |         |            |                                    |

**NOTE:** All component dimensions given in U.S. inches  
1 inch = 25.4 mm

# TRACTOR - - MODEL NUMBER 917.273142

## STEERING ASSEMBLY





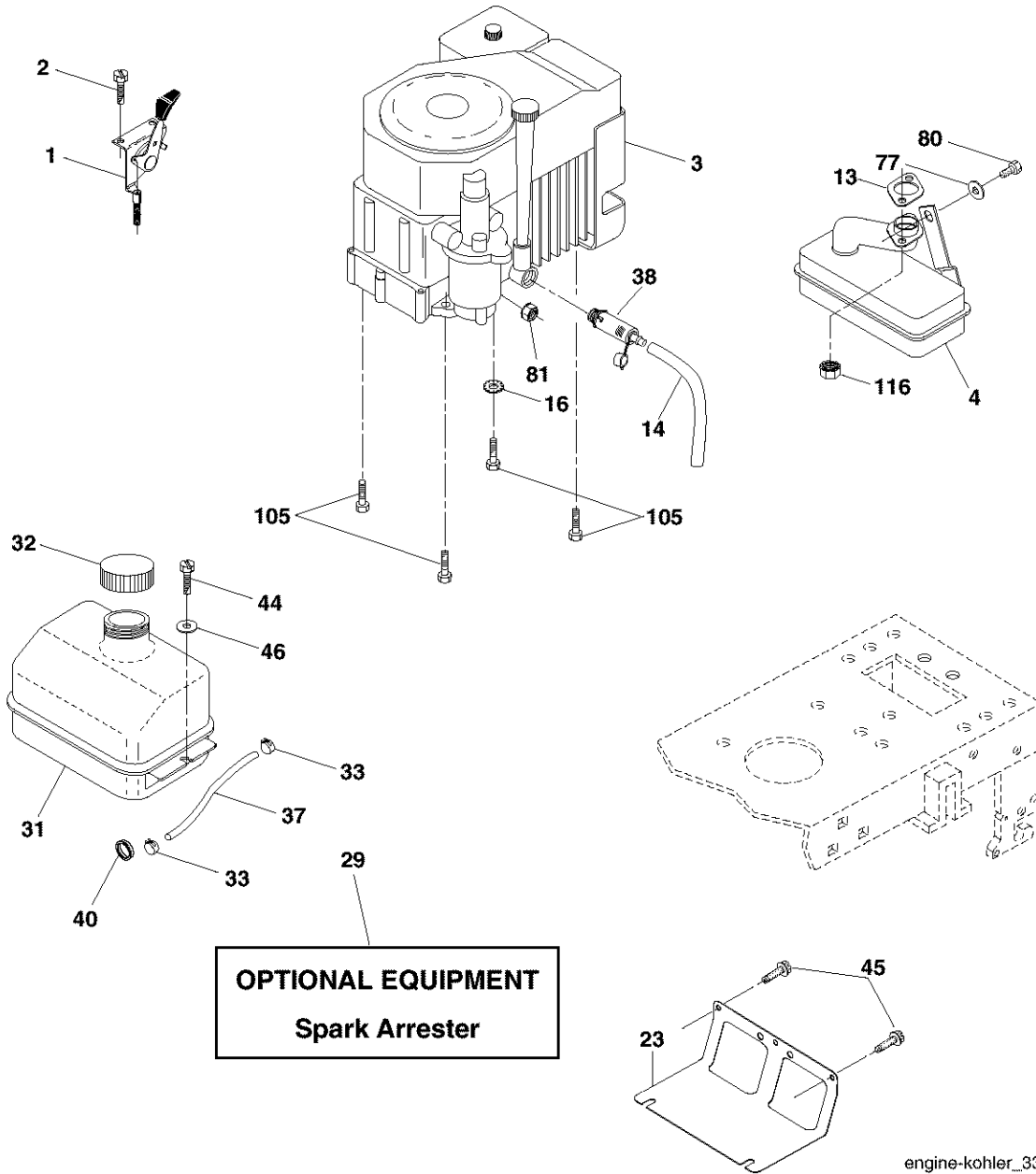
**TRACTOR - - MODEL NUMBER 917.273142**  
**STEERING ASSEMBLY**

| KEY PART<br>NO. | PART<br>NO. | DESCRIPTION                         |
|-----------------|-------------|-------------------------------------|
| 1               | 184704X428  | Steering Wheel                      |
| 2               | 184706      | Axle Assembly Cast Iron             |
| 3               | 169840      | Spindle Assembly, L.H.              |
| 4               | 169839      | Spindle Assembly, R.H.              |
| 5               | 6266H       | Bearing, Race, Thrust, Hardened     |
| 6               | 121748X     | Washer 25/32 x 1-5/8 x 16 Gauge     |
| 8               | 12000029    | Ring, Klip                          |
| 10              | 175121      | Draglink                            |
| 11              | STD551137   | Washer, Lock                        |
| 12              | 73940800    | Nut Hex Jam Toplock 1/2-20 Unf      |
| 13              | 136518      | Spacer Bearing Axle Front           |
| 15              | 145212      | Nut, Hex Flange Lock                |
| 17              | 180641      | Shaft Assembly, Steering            |
| 26              | 126847X     | Bushing, Link, Drag                 |
| 28              | 19131416    | Washer 13/32 x 7/8 x 16 Gauge       |
| 29              | 17060612    | Screw 3/8-16 x 3/4                  |
| 30              | STD561210   | Pin Cotter                          |
| 32              | 130465      | Rod, Tie                            |
| 36              | 155099      | Bushing, Steering                   |
| 37              | 152927      | Screw                               |
| 38              | 159946X428  | Insert, Steering Wheel              |
| 39              | 19182411    | Washer 9/16 Id x 1-1/2 OD 11 G. Zin |
| 40              | 7810H       | Nut Lock Center 3/8-24 Unf          |
| 41              | 159945      | Adaptor, Steering Wheel             |
| 42              | 145054X428  | Boot, Steering Shaft                |
| 43              | 121749X     | Washer 25/32 x 1-1/4 x 16 Gauge     |
| 44              | 180640      | Extension Shaft Steering LR.LT      |
| 46              | 184946X505  | Cap, Spindle                        |
| 51              | 73540400    | Nut Crownlock 1/4-28                |
| 54              | 71130420    | Bolt Hex 1/4-28 Unf x 1-1/4 Gr. 8   |
| 65              | 160367      | Spacer Brace Axle                   |
| 67              | 72110618    | Bolt RDHD Sqnk 3/8-16 x 2-1/4       |
| 68              | 169827      | Axle, Brace                         |
| 71              | 175146      | Steering Asm.                       |
| 82              | 169835      | Bracket Susp. Chassis Front         |
| 87              | 173966      | Washer Flat .781 x 1-1/2 x .14      |
| 88              | 175118      | Bolt Shoulder 7/16-20 Unc           |
| 91              | 175553      | Clip Steering                       |

**NOTE:** All component dimensions given in U.S. inches  
1 inch = 25.4 mm

# TRACTOR - - MODEL NUMBER 917.273142

## ENGINE



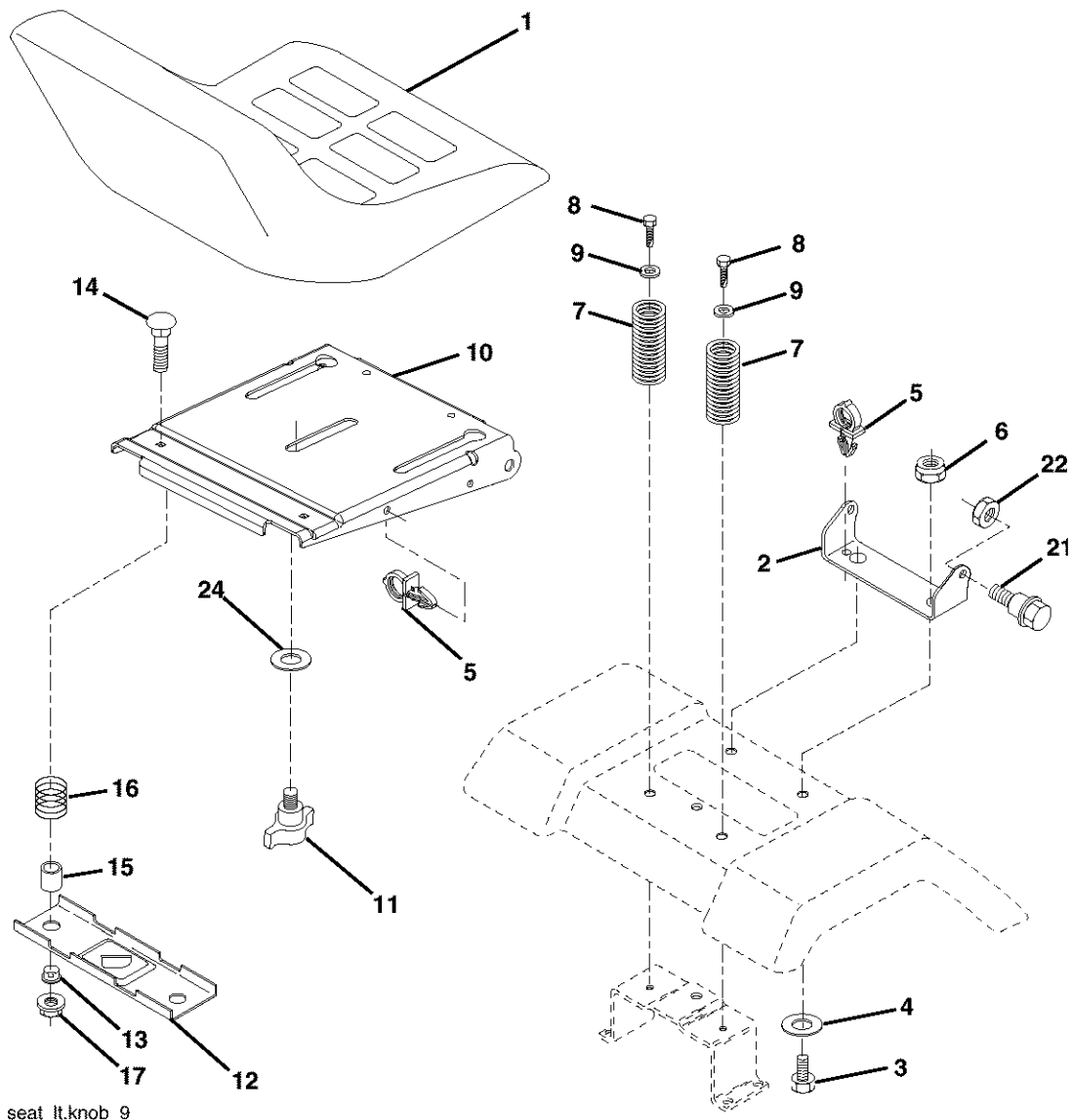
engine-kohler\_33

| KEY PART NO. | NO.        | DESCRIPTION                                      |
|--------------|------------|--|
| 1            | 170548X505 | Control, Throttle                                |
| 2            | 17720408   | Screw, Hex Head, Thread Cutting 1/4-20 x 1/2     |
| 3            | -----      | Engine, (See Breakdown) Kohler Model CV492-27506 |
| 4            | 174667     | Muffler  |
| 13           | 12-001-03  | Gasket   |
| 14           | 148456     | Tube Drain Oil Easy                              |
| 16           | STD551237  | Washer   |
| 23           | 169837     | Shield Brn/Dbr Guard                             |
| 29           | 137180     | Arrestor, Spark                                  |
| 31           | 184900     | Tank, Fuel                                       |
| 32           | 140527     | Cap Assembly, Fuel Sears, Vented                 |
| 33           | 123487X    | Clamp, Hose                                      |

| KEY PART NO. | NO.      | DESCRIPTION                                      |
|--------------|----------|--|
| 37           | 137040   | Line, Fuel                                       |
| 38           | 181654   | Plug Drain Oil Easy                              |
| 40           | 124028X  | Bushing, Snap, Fuel Line                         |
| 44           | 17670412 | Screw, Hex Washer Head, Thd., Roll. 1/4-20 x 3/4 |
| 45           | 17000612 | Screw Hxwsh Thdr 3/8-16 x 3/4                    |
| 46           | 19091416 | Washer 9/32 x 7/8 x 16 Ga                        |
| 77           | 19101216 | Washer 5/16 x 3/4 x 16 Ga.                       |
| 80           | 74760508 | Bolt Hex Hd 5/16-18 Unc x 1/2                    |
| 81           | 73510400 | Nut Keps Hex 1/4-20                              |
| 105          | 17120616 | Screw 3/8-16 x 1                                 |
| 116          | 184362   | Nut Hex Flange Toplock M8-1.25                   |

**NOTE:** All component dimensions given in U.S. inches  
1 inch = 25.4 mm

**TRACTOR - - MODEL NUMBER 917.273142**  
**SEAT ASSEMBLY**



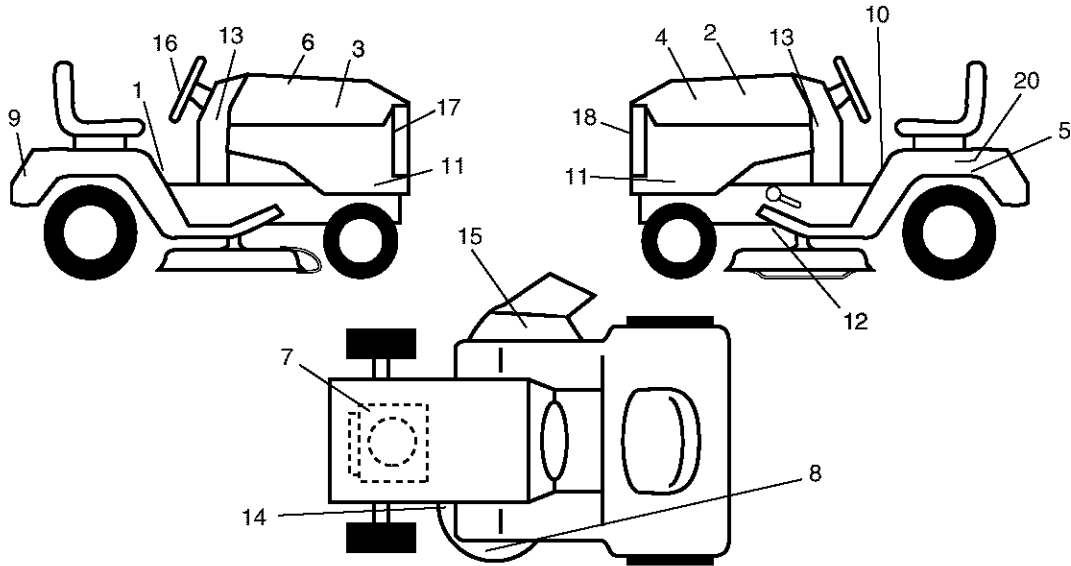
seat\_lt.knob\_9

| KEY PART NO. | NO.       | DESCRIPTION                    | KEY PART NO. | NO.       | DESCRIPTION                     |
|--------------|-----------|--------------------------------|--------------|-----------|---------------------------------|
| 1            | 180597    | Seat                           | 12           | 121246X   | Bracket Pnt Mounting Switch     |
| 2            | 180166    | Bracket Pnt Pivot Seat (blk )  | 13           | 121248X   | Bushing Snap Blk Nyl 50 Id      |
| 3            | 71110616  | Bolt Fin Hex 3/8-16 Unc x 1    | 14           | 72050412  | Bolt Rdhd Sht Nk 1/4-20 x 1-1/2 |
| 4            | 19131610  | Washer 13/32 x 3/4 x 10 Ga     | 15           | 134300    | Spacer Split 28 x 96 Zinc       |
| 5            | 145006    | Clip Push In Hinged            | 16           | 121250X   | Spring Cprsn 1 27 Blk Pnt       |
| 6            | STD541437 | Nut Hex Lock w/Ins 3/8-16 Unc  | 17           | 123976X   | Nut Lock 1/4 Lge Flg Gr 5 Zinc  |
| 7            | 124181X   | Spring Seat Cprsn 2 250 Blk Zi | 21           | 171852    | Bolt Shoulder 5/16-18 Unc-2A    |
| 8            | 17000616  | Screw 3/8-16 x 1               | 22           | STD541431 | Nut Hex Lock w/Ins 5/16-18      |
| 9            | 19131614  | Washer 13/32 x 1 x 14 Ga       | 24           | 19171912  | Washer 17/32 x 1-3/16 x 12Ga.   |
| 10           | 180186    | Pan Pnt Seat (blk )            |              |           |                                 |
| 11           | 166369    | Knob Seat Adj Wingnut          |              |           |                                 |

**NOTE:** All component dimensions given in U.S. inches  
 1 inch = 25.4 mm

# TRACTOR - - MODEL NUMBER 917.273142

## DECALS



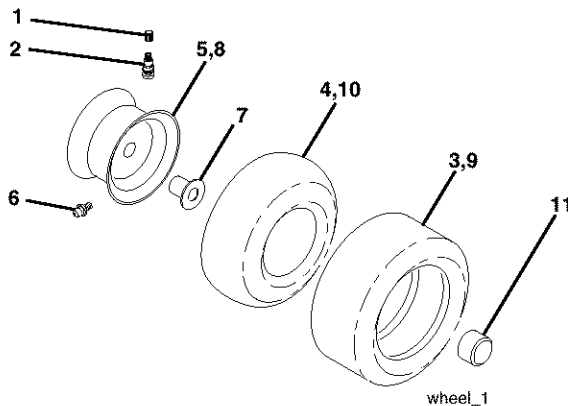
### KEY PART NO. NO.

| KEY PART NO. | NO.    | DESCRIPTION                   |
|--------------|--------|-------------------------------|
| 1            | 156811 | Decal, Oper. Instr.           |
| 2            | 187049 | Decal, Replacement            |
| 3            | 186280 | Decal, Hood, R.H.             |
| 4            | 186281 | Decal, Hood, L.H.             |
| 5            | 138047 | Decal, Battery                |
| 6            | 133644 | Decal, Customer Maintenance   |
| 7            | 177367 | Decal, HP Engine              |
| 8            | 172331 | Decal, Mower Srs              |
| 9            | 186282 | Decal, Fender, Craftsman      |
| 10           | 156439 | Decal, Fender Danger          |
| 11           | 186283 | Decal, Panel Side             |
| 12           | 146046 | Decal, V-Belt Drive Schematic |
| 13           | 177353 | Decal, Dash Panel             |

### KEY PART NO. NO.

| KEY PART NO. | NO.        | DESCRIPTION                |
|--------------|------------|----------------------------|
| 14           | 160396     | Decal, V-Belt Schematic    |
| 15           | 179128     | Decal, Deck B 42"          |
| 16           | 164065     | Decal, Strong Whl.         |
| 17           | 184842     | Decal, Grille RH           |
| 18           | 184843     | Decal, Grille LH           |
| 20           | 149516     | Decal Battery Dngr/Psn Eng |
| --           | 138311     | Decal, Lift Handle         |
| --           | 166960     | Decal, By pass             |
| --           | 165800X428 | Pad Footrest LH STLT       |
| --           | 165799X428 | Pad Footrest RH STLT       |
| --           | 187739     | Owner's Manual, English    |
| --           | 187740     | Owner's Manual, Spanish    |

## WHEELS & TIRES



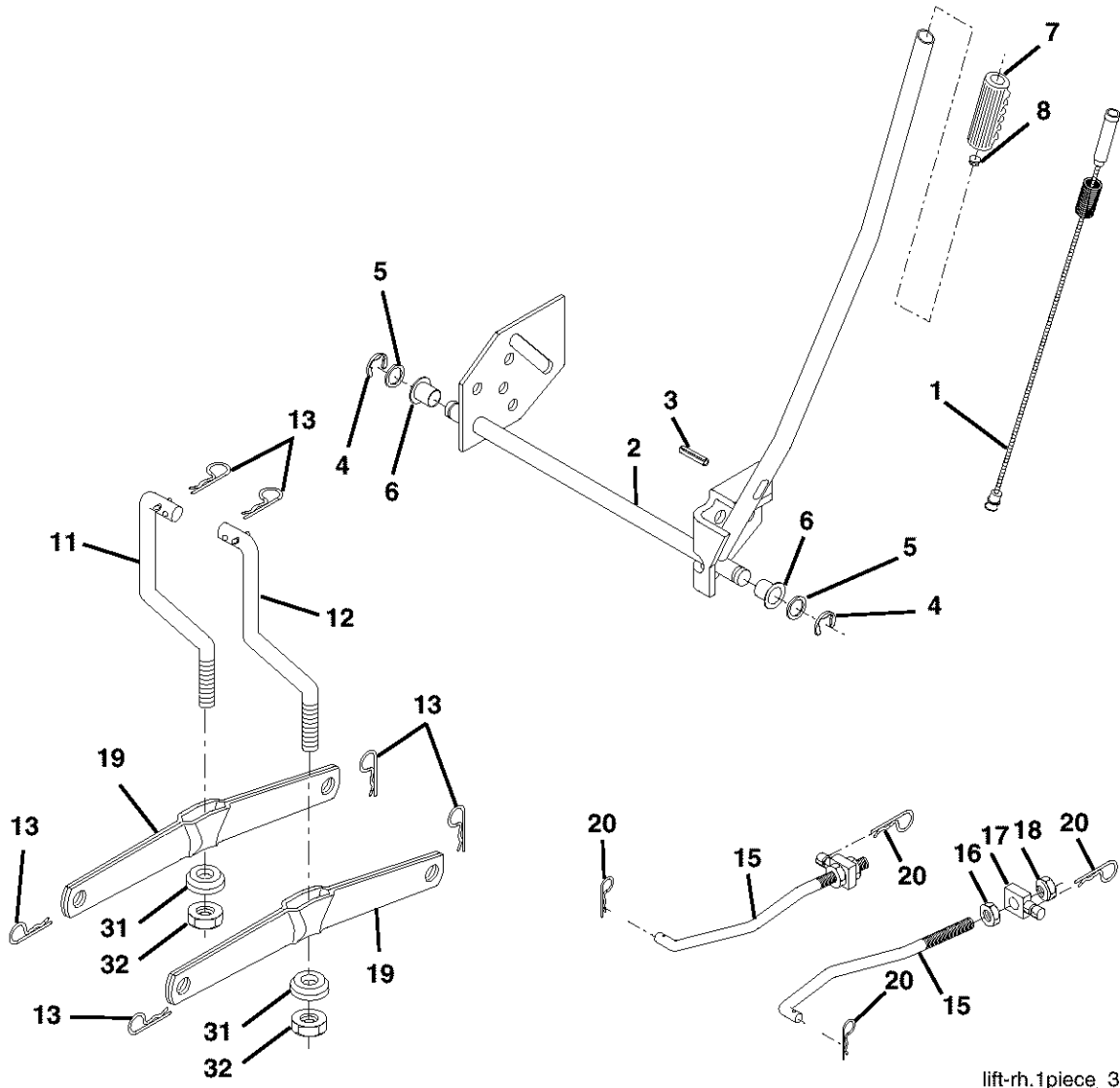
### KEY PART NO. NO.

| KEY PART NO. | NO.        | DESCRIPTION                    |
|--------------|------------|--------------------------------|
| 1            | 59192      | Cap Value Tire                 |
| 2            | 65139      | Stem Valve                     |
| 3            | 106222X    | Tire F Ts 15 X 6 0 - 6 Service |
| 4            | 59904      | Tube Inner Front #35060        |
| 5            | 106732X624 | Rim Asm 6"front White Service  |
| 6            | 278H       | Fitting Grease                 |
| 7            | 9040H      | Bearing Flange                 |
| 8            | 106108X624 | Rim Asm 8"rear White Service   |
| 9            | 122082X    | Tire R Ts 20 X 10-8 Service    |
| 10           | 7152J      | Tube Rear 9 5 X 8 Service      |
| 11           | 104757X428 | Cap Axle Blk 1 50 X 1 00       |
| --           | 144334     | Sealant, Tire (10 oz. tube)    |

**NOTE:** All component dimensions given in U.S. inches  
1 inch = 25.4 mm

# TRACTOR - - MODEL NUMBER 917.273142

## LIFT ASSEMBLY



lift-rh.1piece\_3

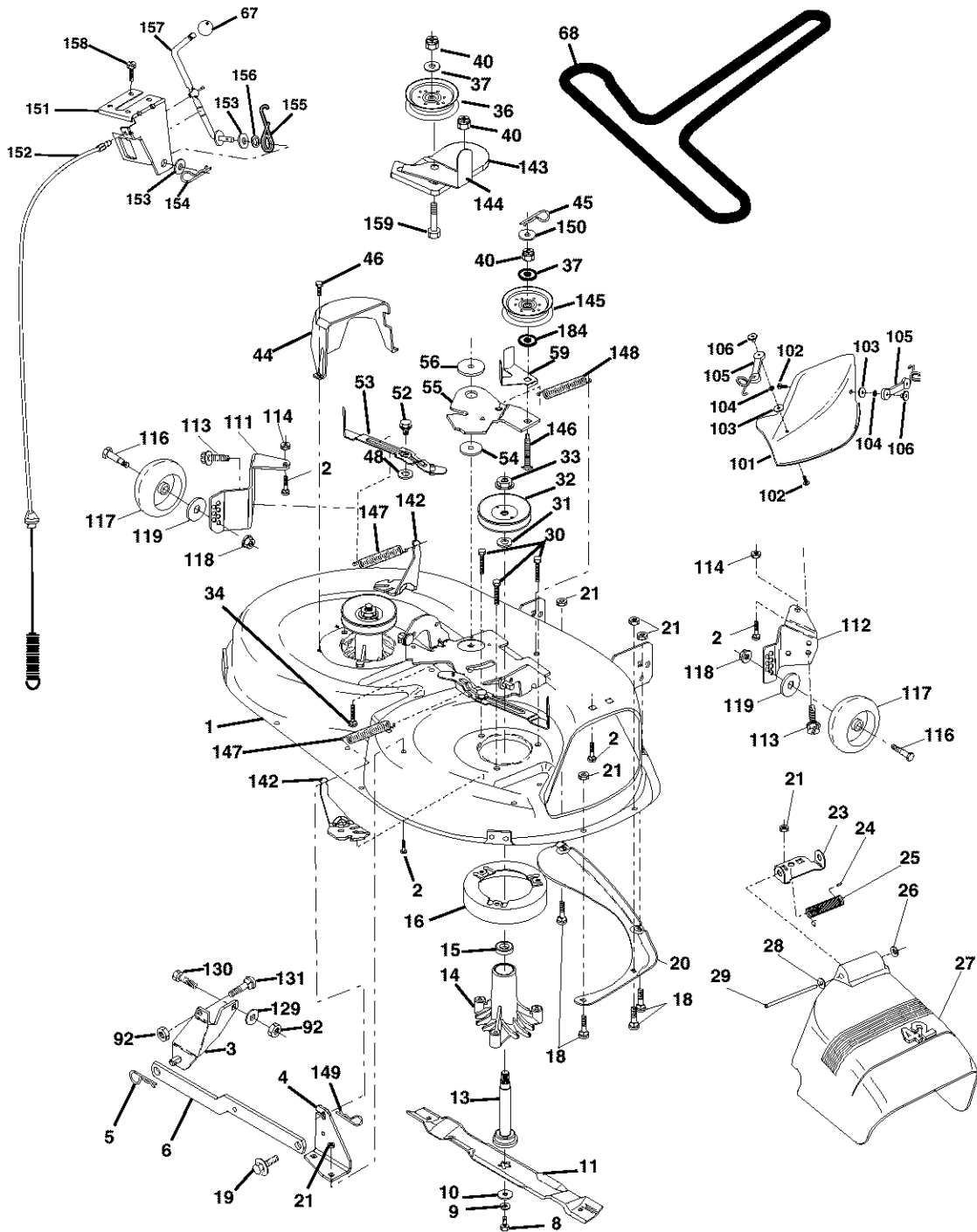
| KEY NO. | PART NO. | DESCRIPTION                        |
|---------|----------|------------------------------------|
| 1       | 159460   | Washer Asm Inner Spring W/ Plunger |
| 2       | 159471   | Shaft Asm. Lift                    |
| 3       | 105767X  | Pin Groove                         |
| 4       | 12000002 | E Ring #5133-62                    |
| 5       | 19211621 | Washer 21/32 x 1 x 21 Ga.          |
| 6       | 120183X  | Bearing Nylon                      |
| 7       | 125631X  | Grip Handle Fluted                 |
| 8       | 122365X  | Button Plunger Read                |
| 11      | 139865   | Link Asm Lift L.H.                 |
| 12      | 139866   | Link Asm Lift R.H.                 |

| KEY NO. | PART NO.  | DESCRIPTION               |
|---------|-----------|---------------------------|
| 13      | STD624008 | Retainer Spring           |
| 15      | 173288    | Link Front                |
| 16      | 73350800  | Nut Jam Hex 1/2-13 Unc    |
| 17      | 175689    | Trunnion Blk Zinc         |
| 18      | 73800800  | Nut Lock w/Wsh 1/2-13 Unc |
| 19      | 139868    | Arm Suspension Mower      |
| 20      | 163552    | Retainer Spring           |
| 31      | 169865    | Bearing, Pvt. Lift        |
| 32      | 73540600  | Nut Crownlock 3/8-24      |

**NOTE:** All component dimensions given in U.S. inches  
1 inch = 25.4 mm

# TRACTOR - - MODEL NUMBER 917.273142

## MOWER DECK



42\_D\_man-t-path\_slit\_3.

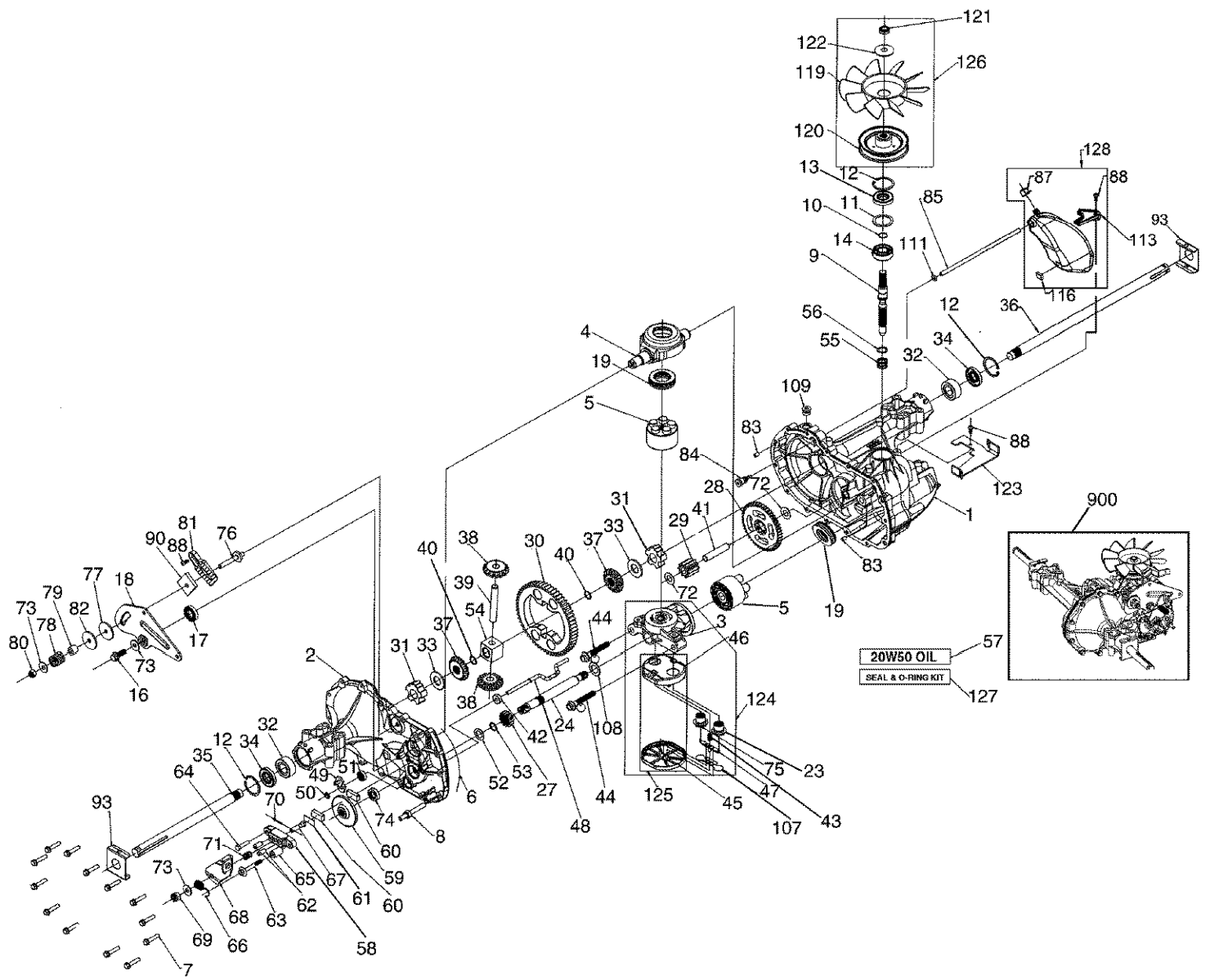
## TRACTOR - - MODEL NUMBER 917.273142

### MOWER DECK

| KEY NO. | PART NO.   | DESCRIPTION   | KEY NO. | PART NO.  | DESCRIPTION  |
|---------|------------|---|---------|-----------|--|
| 1       | 165892     | Mower Deck Assembly, 42"                                    | 56      | 165723    | Spacer, Retainer   |
| 2       | STD533107  | Bolt  | 59      | 141043    | Guard, TUV Idler   |
| 3       | 138017     | Bracket Assembly, Sway Bar, Front                           | 67      | 184939    | Knob Custom Oval   |
| 4       | 165460     | Bracket Sway Bar 38/42" Deck                                | 68      | 144959    | V-Belt   |
| 5       | STD624008  | Retainer Spring   | 92      | STD541437 | Nut  |
| 6       | 178024     | Bar Sway Deck   | 101     | 136420    | Mulcher Cover  |
| 8       | 850857     | Bolt, Hex 3/8-24 x 1.25 Gr. 8                               | 102     | 71081010  | Screw  |
| 9       | STD551137  | Washer, Lock  | 103     | 19061216  | Washer #10   |
| 10      | 140296     | Washer, Hardened<br>(The following baldes are available)    | 104     | STD551110 | Washer, Lock   |
| 11      | 134149     | Blade, 42" Mulching Std (For mulching mowers only)          | 105     | 160793    | Latch Assembly, Bagger   |
| --      | 139775     | Blade, 42" Mulching Premium (For better wear when mulching) | 106     | 2029J     | Nut, Weld  |
| --      | 138971     | Blade, 42" Hi-Lift (For bagging or discharging)             | 111     | 179292    | Bracket Gauge Wheel Lh   |
| 13      | 137645     | Shaft Assembly, Mandrel, Vented                             | 112     | 179293    | Bracket Gauge Wheel Rh   |
| 14      | 128774     | Housing, Mandrel, Vented                                    | 113     | 17060510  | Screw 5/16-18 Unc  |
| 15      | 110485X    | Bearing, Ball, Mandrel                                      | 114     | 73510500  | Nut Keps 5/16-18 Unc   |
| 16      | 174493     | Stripper, Vented Mower Deck                                 | 116     | 4898H     | Bolt Shoulder  |
| 18      | 72140505   | Bolt, Carriage 5/16-18 x 5/8                                | 117     | 165746    | Wheel Gauge Std  |
| 19      | 132827     | Bolt, Shoulder  | 118     | 73930600  | Nut Centerlock 3/8-16 Unc  |
| 20      | 159770     | Baffle, Vortex  | 119     | 19121414  | Washer 3/8 x 7/8 x 4 Ga.   |
| 21      | STD541431  | Nut Crownlock 5/16-18 Unc                                   | 129     | 19131312  | Washer 13/32 x 13/16 x 12Ga.   |
| 23      | 177563     | Bracket, Deflector  | 130     | STD523710 | Bolt, Fin Hex 3/8-16 Unc x 1 Gr. 5   |
| 24      | 105304X    | Cap, Sleeve   | 131     | STD533710 | Bolt, Rdhd Sqnk 3/8-16 Unc x1  |
| 25      | 123713X    | Spring, Torsion, Deflector                                  | 142     | 165890    | Arm Spring Brake Mower   |
| 26      | 110452X    | Nut, Push   | 143     | 157109    | Bracket Arm Idler 42"  |
| 27      | 130968X428 | Shield, Deflector   | 144     | 158634    | Keeper Belt 42" Clutch Cable   |
| 28      | 19111016   | Washer 11/32 x 5/8 x 16 Ga.                                 | 145     | 165888    | Pulley Idler Flat  |
| 29      | 131491     | Rod, Hinge  | 146     | 171977    | Bolt Carriage Idler  |
| 30      | 173984     | Screw Thdrol Washer Head                                    | 147     | 131335    | Spring Extension   |
| 31      | 129963     | Washer, Spacer  | 148     | 169022    | Spring Return Idler  |
| 32      | 153535     | Pulley, Mandrel   | 149     | 165898    | Retainer Spring Yellow Zinc  |
| 33      | 178342     | Nut, Toplock, Flanged                                       | 150     | 19091216  | Washer 9/32 x 3/4 x 16 Ga.   |
| 34      | STD533717  | Bolt  | 151     | 169670    | Bracket Clutch   |
| 36      | 131494     | Pulley, Idler, Flat   | 152     | 169676    | Cable Clutch 42 In   |
| 37      | STD551037  | Washer 13/32 x 13/16 x 16Ga.                                | 153     | 169674    | Washer Flat 3/8" Type B  |
| 40      | STD541437  | Nut Crownlock 3/8-16 Unc                                    | 154     | 169675    | Spring Retainer  |
| 44      | 140088     | Guard, Mandrel, L.H.  | 155     | 169671    | Spring Retention Lever   |
| 45      | STD624003  | Retainer  | 156     | 169672    | Spacer   |
| 46      | 137729     | Screw, Thd. Roll 1/4-20 x 5/8                               | 157     | 169669    | Rod Clutch   |
| 48      | 133944     | Washer, Hardened  | 158     | 17720408  | Screw Hex Thd Cut 1/4-20 x 1/2   |
| 52      | 139888     | Bolt, Shoulder 5/16-18 Unc                                  | 159     | 72140614  | Bolt Rdhd Sqn 3/8-16 Unc x 3/4   |
| 53      | 184907     | Arm Assembly, Pad, Brake                                    | 184     | 19131410  | Washer 13/13 x7/8 x 10 Ga.   |
| 54      | 178515     | Washer, Hardened  | --      | 130794    | Mandrel Assembly (Includes Housing, Shaft and Shaft Hardware Only - Pulley Not Included) |
| 55      | 155046     | Arm, Idler  | --      | 169583    | Replacement Mower, Complete  |

**NOTE:** All component dimensions given in U.S. inches  
1 inch = 25.4 mm

TRACTOR -- MODEL NUMBER 917.273142  
 HYDRO GEAR TRANSAXLE -- MODEL NUMBER 314-0510





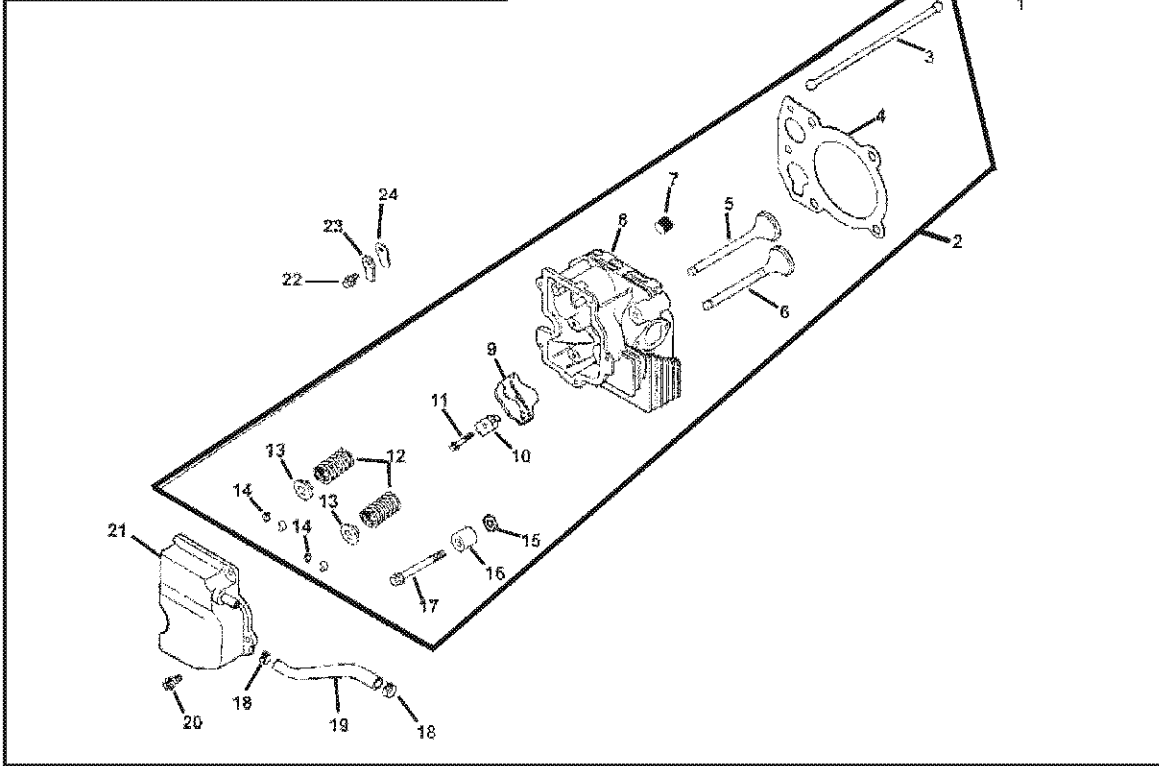
**TRACTOR - - MODEL NUMBER 917.273142**  
**HYDRO GEAR TRANSAXLE - - MODEL NUMBER 314-0510**

| KEY NO. | PART NO. | DESCRIPTION                               | KEY NO. | PART NO. | DESCRIPTION                                 |
|---------|----------|---|---------|----------|---|
| 1       | 170351   | Main Housing, Assembly                    | 59      | 170408   | Rotor, Brake                                |
| 2       | 170352   | Side Housing, Assembly                    | 60      | 142883   | Brake Puck                                  |
| 3       | 170353   | Center Section, Assembly                  | 61      | 142882   | Puck Plate                                  |
| 4       | 170354   | Washplate, Trunion<br>Machined            | 62      | 142887   | Brake Actuating Pin                         |
| 5       | 169898   | Block - Assembly                          | 63      | 170410   | Hfhcs 1/4-20x2 W/<br>Patch,SpecialFlange    |
| 6       | 170355   | Sealant 10.5 Oz                           | 64      | 142892   | Bolt, 1/4-20 X 1 W/Patch                    |
| 7       | 170356   | Hex Flange Screw 1/4-20 X<br>1.25         | 65      | 170411   | Spacer                                      |
| 8       | 170357   | Stud, 5/16-24 Hex Double<br>End           | 66      | 170412   | Spring, Brake Arm Bias                      |
| 9       | 170358   | Shaft, Input                              | 67      | 170413   | Sq. Hd. Bolt 5/16-24-Ribbed                 |
| 10      | 170359   | Ring - Retaining                          | 68      | 170414   | Arm, Brake                                  |
| 11      | 170360   | Spacer                                    | 69      | 170415   | Slotted Hex Nut 5/16-24                     |
| 12      | 169870   | Ring - Retaining                          | 70      | 170416   | Cotter Pin 3/32 X 3/4                       |
| 13      | 170361   | Seal, Lip .67 X 1.58 X .276               | 71      | 170417   | Compression Spring Brake<br>Anti-Drage      |
| 14      | 169869   | Ball Brg 17mm Id X 40mm<br>Od X 12mm      | 72      | 170418   | Washer, Ht .5 I.D. X 1 O.D. X<br>.032       |
| 16      | 170362   | Hex Flange Head Screw 5/<br>16-24X0.75    | 73      | 142884   | Flat - Washer 11/32 I.D. X 7/8<br>O.D       |
| 17      | 170363   | Lip Seal 18 X 32 X 7                      | 74      | 170419   | Oil Seal .625 X 1.0 X .25                   |
| 18      | 170364   | Arm, Control                              | 75      | 170420   | Check Plug Assembly, .027,<br>Washer        |
| 19      | 150771   | Bearing, 30x52x13 Thrust                  | 76      | 170421   | Stud, 5/16-24 Friction Pack                 |
| 23      | 170365   | Check Plug Assembly, Washer               | 77      | 170422   | Puck, .330 X 1.50 X .0975                   |
| 24      | 170366   | Shaft, Motor                              | 78      | 142969   | Spring, Helical Comp                        |
| 27      | 170367   | Gear - Pinion, 13t                        | 79      | 142980   | Spacer                                      |
| 28      | 170368   | 10t/48t Gear                              | 80      | 150778   | Hex Lock Nut 5/16-<br>24Unjf(Nylon Insert)  |
| 29      | 170369   | Gear, 10t Jackshaft                       | 81      | 170423   | Wedge, Friction Pack                        |
| 30      | 170370   | 60t Bull Gear                             | 82      | 170424   | Clip, Washer .316x1.50x.1046<br>(Plated)    |
| 31      | 170371   | Sleeve Bearing .75 X 1.575<br>X .625      | 83      | 161168   | Pin, Standard Headless                      |
| 32      | 170389   | SleeveBearing(Outboard)<br>.75x1.750x.625 | 84      | 170425   | Fitting, 5/16 Sae 5/32 Tube                 |
| 33      | 142991   | Washer, 3/4 Id X 1-1/2 Od X<br>.13 Thk    | 85      | 170426   | Hose, Expansion Tank                        |
| 34      | 170390   | Lip Seal Axle Seal                        | 87      | 142917   | Cap - Poppet Valve                          |
| 35      | 170391   | Shaft, Axle .75 X 11.39 (Key,<br>R.H.)    | 88      | 170429   | Bolt, Self Tapping 10-32X1/2                |
| 36      | 170392   | Shaft, Axle .75 X 16.99 (Key,<br>L.H.)    | 90      | 170430   | Puck, Inner Wedge                           |
| 37      | 150792   | Miter Gear (Splined)                      | 93      | 170431   | Spring Clip - Housing Thrust                |
| 38      | 150793   | Miter Gear 15t (0.5 Id)                   | 107     | 170432   | Deflector                                   |
| 39      | 150809   | Shaft                                     | 108     | 170433   | Washer, Motor Shaft<br>.71idx1.150dx.030thk |
| 40      | 170393   | Ring, Spiral Retaining                    | 109     | 170434   | Plug, Sae #6                                |
| 41      | 170394   | Pin, Jackshaft                            | 111     | 170435   | O-Ring .07 X .301 I.D.                      |
| 42      | 170395   | Magnet, Ring                              | 113     | 170437   | Bracket, Support Expansion<br>Tank          |
| 43      | 170396   | Spring, Bypass                            | 116     | 170438   | Silicon Sponge                              |
| 44      | 150797   | Hydro Mtg Screw 3/8-24 X<br>2.5 Long      | 119     | 170439   | Fan, 7 In.                                  |
| 45      | 170397   | Filter                                    | 120     | 170440   | Pulley                                      |
| 46      | 170398   | Base, Filter                              | 121     | 170441   | Hex Lock Nut 1/2-20 (Nylon<br>Insert)       |
| 47      | 170399   | Actuator, Bypass                          | 122     | 170442   | Washer, Belleville                          |
| 48      | 170400   | Rod, Bypass Actuator                      | 123     | 170443   | Belt Keeper                                 |
| 49      | 170401   | Arm, Bypass                               | 124     | 170444   | Center Section-Filter-Bypass<br>Assembly    |
| 50      | 170402   | Retaining Ring .250 External              | 125     | 170445   | Filter Assembly                             |
| 51      | 170403   | Seal, Lip .741 X .250 X .250<br>Tc        | 126     | 170446   | Fan - Pulley Service<br>Assembly            |
| 52      | 170404   | Flat Washer, 5/8 Id X 1.0 Od<br>X .05 Thk | 127     | 170447   | Seal - O-Ring Kit                           |
| 53      | 170405   | Retaining Ring                            | 128     | 173165   | Kit, Expansion Tank                         |
| 54      | 170406   | Bearing, Center Block                     | 900     | 166768   | Transaxle Complete                          |
| 55      | 142977   | Spring - Helical Compression              |         |          |   |
| 56      | 142978   | Washer                                    |         |          |   |
| 57      | 150798   | 20w-50 Oil                                |         |          |   |
| 58      | 170407   | Brake Yoke                                |         |          |   |

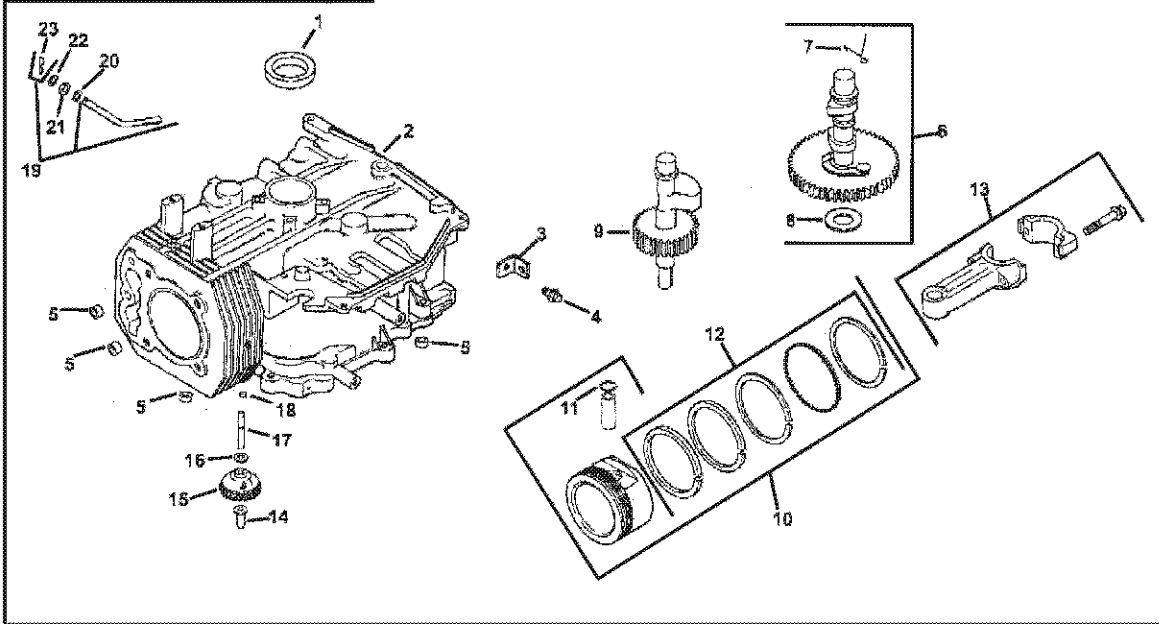
**NOTE:** All component dimensions given in U.S.  
inches 1 inch = 25.4 mm

**TRACTOR - - MODEL NUMBER 917.273142**  
**KOHLER ENGINE-MODEL NUMBER CV492, TYPE NUMBER 27506**

**CYLINDER HEAD, VALVE AND BREATHER**  
**CYLINDRE DIRIGE SOUPE ET RENIFLARD**



**CRANKCASE | CARTER-MOTEUR**



**TRACTOR - - MODEL NUMBER 917.273142  
 KOHLER ENGINE-MODEL NUMBER CV492, TYPE NUMBER 27506**

**CYLINDER HEAD/VALVE/BREATHER**

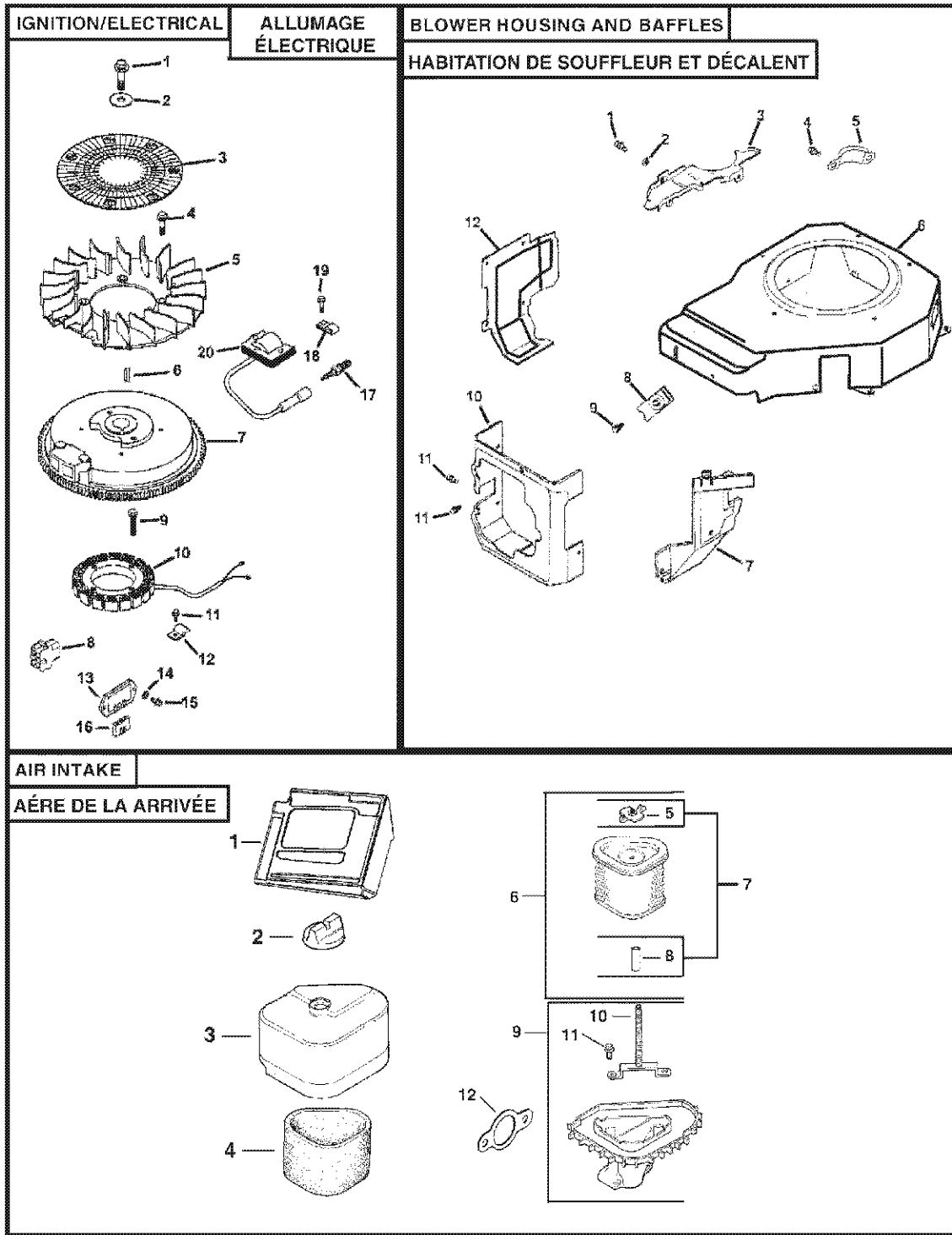
| KEY NO. | PART NO.    | DESCRIPTION  |
|---------|-------------|--|
| 1       | 25-351-01-S | Lifter, valve (2)  |
| 2       | 12-755-94-S | Kit, cylinder head (Includes 3-17, Gaskets 12 041 01-S (Qty. 2), 12 041 02-S, & 12 041 03-S) |
| 3       | 12-411-03-S | Rod, push (2)  |
| 4       | 12-041-10-S | Gasket, cylinder head  |
| 5       | 12-017-01-S | Valve, intake (Std.)   |
|         | 12-017-02-S | Valve, intake (.25)  |
| 6       | 12-016-01-S | Valve, exhaust (Std.)  |
|         | 12-016-02-S | Valve, exhaust (.25)   |
| 7       | 25-139-60-S | Plug, allen hd. pipe 1/8"  |
| 8       | 12-318-36-S | Cylinder Head  |
| 9       | 25-186-01-S | Arm, rocker (2)  |
| 10      | 12-599-03-S | Pivot, rocker arm (2)  |
| 11      | M-640034-S  | Screw, hex. flange M6x1.0x34 (2)   |
| 12      | 12-089-01-S | Spring, valve (2)  |
| 13      | 12-173-01-S | Cap, valve spring (2)  |
| 14      | 12-755-03-S | Kit, retainer (2)  |
| 15      | 12-468-05-S | Washer, plain 13/32"   |
| 16      | 12-112-13-S | Spacer, head bolt exhaust port   |
| 17      | 12-086-15-S | Screw, hex. flange M10x1.5x81 (5)  |
| 18      | 25-237-14-S | Clamp, hose (2)  |
| 19      | 12-326-03-S | Hose, breather   |
| 20      | M-645020-S  | Screw, hex. flange M6x1.0x20 (5)   |
| 21      | 12-096-07-S | Cover, valve w/nipple  |
| 22      | M-545010-S  | Screw, hex. flange M5x0.8x10   |
| 23      | 12-018-01-S | Retainer, breather reed  |
| 24      | 12-402-02-S | Reed, breather   |

**CRANKCASE**

| KEY NO. | PART NO.    | DESCRIPTION                                 |
|---------|-------------|---|
| 1       | 12-032-03-S | Seal, crankshaft                            |
| 2       |             | Block, cylinder (Use Short Block 12 522 49) |
| 3       | 12-445-02-S | Strap, lifting                              |
| 4       | M-839025-S  | Screw, hex. flange M8x1.25x25               |
| 5       | 24-380-13-S | Dowel, locating (4)                         |
| 6       | 12-755-49-S | Kit, camshaft (Includes 7,8)                |
| 7       | 12-089-31-S | Spring, actuating                           |
| 8       | 12-422-08-S | Shim, camshaft (A.R.) blue                  |
|         | 12-422-09-S | Shim, camshaft (A.R.) red                   |
|         | 12-422-10-S | Shim, camshaft (A.R.) yel low               |
|         | 12-422-11-S | Shim, camshaft (A.R.) green                 |
|         | 12-422-12-S | Shim, camshaft (A.R.) gray                  |
|         | 12-422-13-S | Shim, camshaft (A.R.) black                 |
|         | 12-422-07-S | Shim, camshaft (A.R.) white                 |
| 9       | 12-144-28-S | Shaft, balance                              |
| 10      | 12-874-07-S | Piston w/Ring Set (Std.) (Includes 11,12)   |
|         | 12-874-11-S | Piston w/Ring Set (.08)                     |
|         | 12-874-08-S | Piston w/Ring Set (.25)                     |
|         | 12-874-09-S | Piston w/Ring Set (.50)                     |
| 11      | 12 018 02-S | Retainer, piston pin (2)                    |
| 12      | 12-108-07-S | Ring Set (Std.)                             |
|         | 12-108-08-S | Ring Set (.25)                              |
|         | 12-108-09-S | Ring Set (.50)                              |
| 13      | 12-067-11-S | Connecting Rod (Std.)                       |
|         | 12-067-06-S | Connecting Rod (.25)                        |
| 14      | 12-380-01-S | Pin, governor regulating                    |
| 15      | 12-043-05-S | Gear, governor                              |
| 16      | M-631005-S  | Washer, plain 6 mm                          |
| 17      | 12-144-02-S | Shaft, governor gear                        |
| 18      | 52-139-09-S | Plug, cup                                   |
| 19      | 12-755-64-S | Kit, gov. cross shaft w/clip (Includes 23)  |
| 20      | X-25-102-S  | Washer, plain 1/4"                          |
| 21      | 12-032-01-S | Seal, governor cross shaft                  |
| 22      | M-631015-S  | Washer, plain 6 mm                          |
| 23      | 12-154-05-S | Clip, hitch pin                             |

**NOTE:** All component dimensions given in U.S. inches 1 inch = 25.4 mm

**TRACTOR - - MODEL NUMBER 917.273142  
 KOHLER ENGINE-MODEL NUMBER CV492, TYPE NUMBER 27506**



**TRACTOR - - MODEL NUMBER 917.273142  
KOHLER ENGINE-MODEL NUMBER CV492, TYPE NUMBER 27506**

**IGNITION/ELECTRICAL**

| KEY NO. | PART NO.    | DESCRIPTION                      |
|---------|-------------|----------------------------------|
| 1       | 12-086-14-S | Screw, hex. flange M10x1.5x46    |
| 2       | 12-468-03-S | Washer, plain 3/8"               |
| 3       | 24-162-03-S | Screen, grass                    |
| 4       | 25-086-47-S | Bolt, shoulder M6x1.0x16 (4)     |
| 5       | 12-157-06-S | Fan                              |
| 6       | X-42-15-S   | Key                              |
| 7       | 12-025-15-S | Flywheel                         |
| 8       | 12-155-09-S | Connector                        |
| 9       | M-548025-S  | Screw, hex. cap M5x0.8x25 (2)    |
| 10      | 237878-S    | Kit, stator                      |
| 11      | M-545020-S  | Screw, hex. flange M5x0.8x20 (2) |
| 12      | 12-154-06-S | Clip, cable (2)                  |
| 13      | 41-403-09-S | Regulator, rectifier - 15 amp    |
| 14      | X-22-11-S   | Washer, lock 1/4"                |
| 15      | M-639016-S  | Screw, hex. flange M6x1.0x16 (2) |
| 16      | 236602-S    | Connector                        |
| 17      | 12-132-02-S | Spark Plug                       |
| 18      | X-728-1-S   | Clip, cable (2)                  |
| 19      | M-545010-S  | Screw, hex. flange M5x0.8x10 (2) |
| 20      | 12-584-04-S | Module, ignition                 |

**NOT ILLUSTRATED**

|             |   |
|-------------|---|
| 12-176-44-S | Harness, wiring   |
| 24-518-12-S | Lead, black (6" - 12 gauge-insulated grip barrel eyelet terminals)                          |
| 12-518-35-S | Lead, white (36" - 18 gauge - fully insulated push on tab and uninsulated socket terminals) |
| X-25-5-S    | Washer, plain 5/16" (attach ground lead and this washer to lift strap screw)                |

**BLOWER HOUSING & BAFFLES**

| KEY NO. | PART NO.    | DESCRIPTION                         |
|---------|-------------|-------------------------------------|
| 1       | M-545010-S  | Screw, hex. flange M5x0.8x10 (6)    |
| 2       | 24-468-10-S | Washer, plain 1/4"                  |
| 3       | 12-146-07-S | Plate, blower housing               |
| 4       | M-550010-S  | Screw, hex. flange M5x0.8x10        |
| 5       | 24-096-05-S | Cover, pinion                       |
| 6       | 12-027-76-S | Housing, blower                     |
| 7       | 12-063-18-S | Baffle, intake side                 |
| 8       | 25-154-02-S | Clip, mounting (3)                  |
| 9       | 12-086-37-S | Screw, captive washer M5x0.8x20 (3) |
| 10      | 12-063-20-S | Baffle, cylinder head               |
| 11      | M-645016-S  | Screw, hex. flange M6x1.0x16 (2)    |
| 12      | 12-063-19-S | Baffle, cylinder                    |

**NOT ILLUSTRATED**

|            |                         |
|------------|-------------------------|
| M-541050-S | Nut, hex. flange M5x0.8 |
|------------|-------------------------|

**AIR INTAKE/FILTRATION**

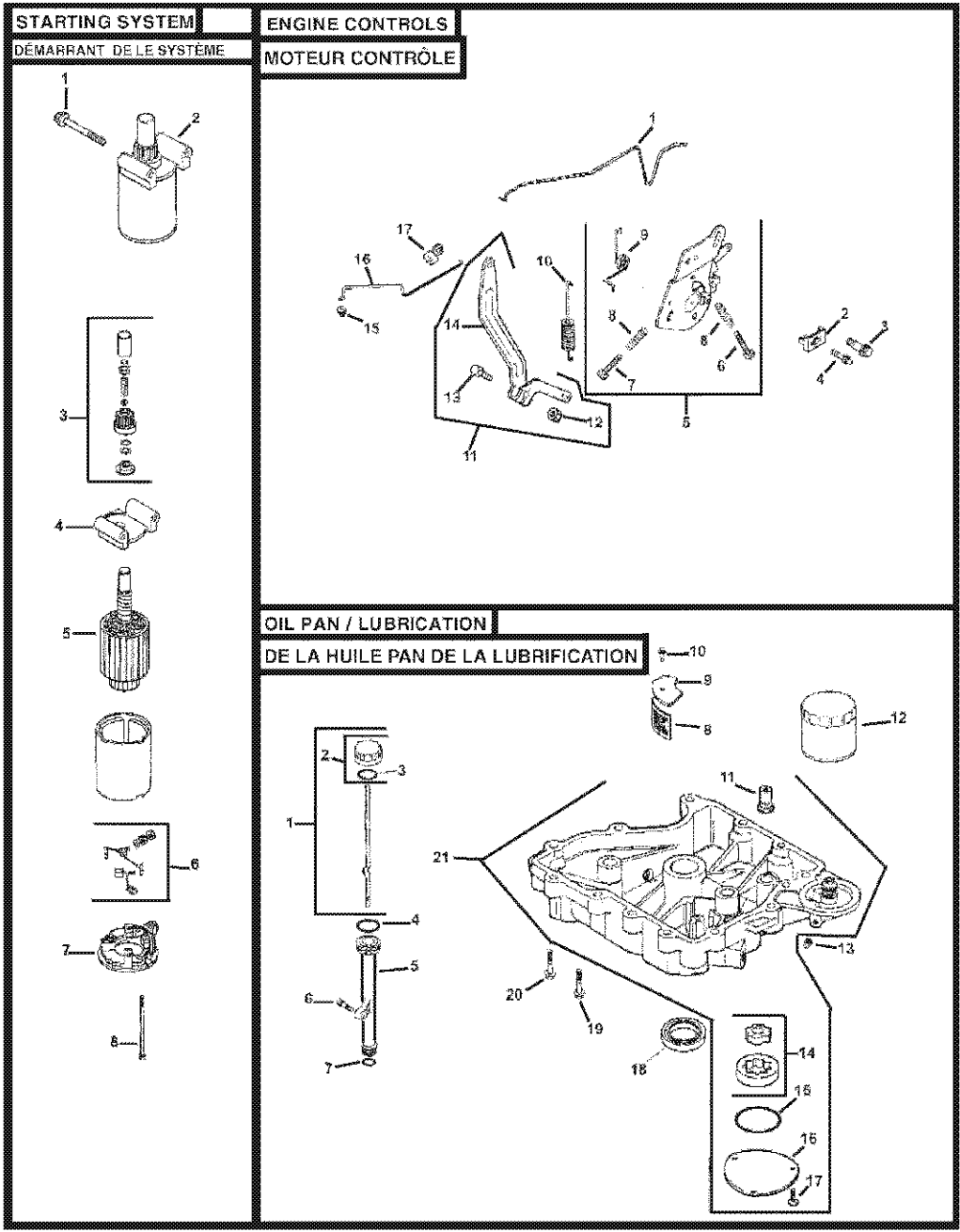
| KEY NO. | PART NO.    | DESCRIPTION                                 |
|---------|-------------|---|
| 1       | 12-281-01-S | Duct, air                                   |
| 2       | 25-341-03-S | Knob, air cleaner cover                     |
| 3       | 12-096-24-S | Cover, air cleaner                          |
| 4       | 12-083-12-S | Precleaner, element                         |
| 5       | 12-100-08-S | Wing Nut                                    |
| 6       | 12-083-10-S | Kit, air cleaner element (Includes 5, 7, 8) |
| 7       | 12-743-12-S | Filter, element (Includes 5, 8)             |
| 8       | 12-032-11-S | Seal 1-7/16"                                |
| 9       | 12-094-07-S | Base, air cleaner (Includes 11, 12)         |
| 10      | 12-072-04-S | Stud, mounting plate M6x1.0x75              |
| 11      | 12-086-01-S | Screw, #10 Hi-Lo thread forming (2)         |
| 13      | 12-041-02-S | Gasket, air cleaner                         |

**NOT ILLUSTRATED**

|             |                    |
|-------------|--------------------|
| 12-113-53-S | Decal, air cleaner |
|-------------|--------------------|

**NOTE:** All component dimensions given in U.S. inches 1 inch = 25.4 mm

**TRACTOR - - MODEL NUMBER 917.273142  
 KOHLER ENGINE-MODEL NUMBER CV492, TYPE NUMBER 27506**



**TRACTOR - - MODEL NUMBER 917.273142  
KOHLER ENGINE-MODEL NUMBER CV492, TYPE NUMBER 27506**

**STARTING SYSTEM**

| KEY NO. | PART NO.    | DESCRIPTION                            |
|---------|-------------|--|
| 1       | M-839070-S  | Screw, hex. flange<br>M8x1.25x70 (2)   |
| 2       | 25-098-07-S | Starter assembly (Includes<br>3-8)     |
| 3       | 12-755-54-S | Kit, drive end                         |
| 4       | 12-227-18-S | Cap, drive end                         |
| 5       | 12-170-05-S | Armature                               |
| 6       | 12-221-01-S | Kit, brush & spring                    |
| 7       | 12-227-13-S | Cap, commutator end                    |
| 8       | 12-211-01-S | Bolt, hex. flange 1/4-20x4-<br>5/8 (2) |

**OIL PAN/LUBRICATION**

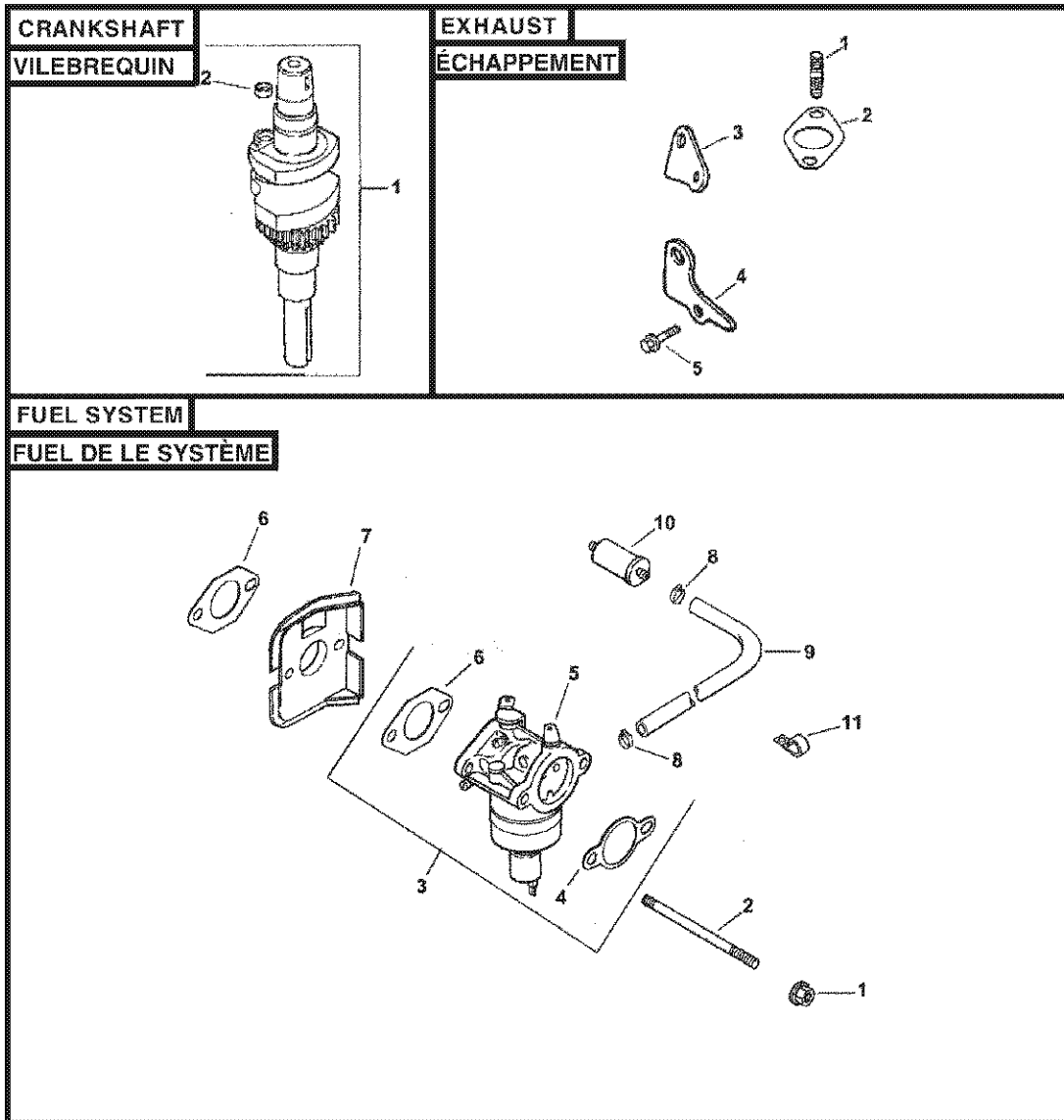
| KEY NO. | PART NO.    | DESCRIPTION                            |
|---------|-------------|--|
| 1       | 12-038-01-S | Dipstick assembly (Includes<br>2-3)    |
| 2       | 25-755-13-S | Kit, oil fill cap (Includes 3)         |
| 3       | 12-153-03-S | O-Ring, oil fill cap                   |
| 4       | 12-153-02-S | O-Ring, upper oil fill tube            |
| 5       | 12-123-04-S | Tube, oil fill                         |
| 6       | M-645025-S  | Screw, hex. flange<br>M6x1.0x25        |
| 7       | 12-153-01-S | O-Ring, lower oil fill tube            |
| 8       | 25-162-07-S | Screen, oil pickup                     |
| 9       | 12-096-03-S | Cover, oil pickup screen               |
| 10      | M-545016-S  | Screw, hex. flange<br>M5x0.8x16        |
| 11      | 25-462-09-S | Valve, oil pressure relief             |
| 12      | 52-050-02-S | Filter, oil                            |
| 13      | 25-139-57-S | Plug, sq. hd. solid 3/8"               |
| 14      | 12-393-01-S | Pump, oil                              |
| 15      | 12-153-06-S | O-Ring, oil pump cover                 |
| 16      | 12-096-34-S | Cover, oil pump                        |
| 17      | M-545016-S  | Screw, hex. flange<br>M5x0.8x16 (3)    |
| 18      | 12-032-03-S | Seal, oil (P.T.O. end)                 |
| 19      | 24-086-16-S | Screw, hex. flange<br>M8x1.25x45 (11)  |
| 20      | 24-086-17-S | Screw, hex. flange<br>M8x1.25x45       |
| 21      | 12-199-56-S | Assembly, Pan, oil (Incl.<br>11,14-17) |

**ENGINE CONTROLS**

| KEY NO. | PART NO.    | DESCRIPTION                               |
|---------|-------------|---|
| 1       | 12-079-11-S | Linkage, choke                            |
| 2       | 12-237-01-S | Clamp, cable                              |
| 3       | 24-086-43-S | Screw, hex. flange                        |
| 4       | M-664020-S  | Screw, lobed socket<br>M6x1.0x20 (2)      |
| 5       | 12-536-10-S | Control, speed assembly<br>(Includes 6-9) |
| 6       | M-443025-S  | Screw, pan head M4x0.7x25                 |
| 7       | M-443020-S  | Screw, pan head M4x0.7x20                 |
| 8       | 12-089-11-S | Spring, choke (2)                         |
| 9       | 12-089-23-S | Spring, choke return                      |
| 10      | 12-089-24-S | Spring, governor                          |
| 11      | 12-755-83-S | Kit, governor lever (Includes<br>12-14)   |
| 12      | 12-100-07-S | Nut, hex flange 1/4-20                    |
| 13      | 52-211-04-S | Bolt, 1/4-20x1"                           |
| 14      | 12-090-28-S | Lever, governor                           |
| 15      | 25-158-08-S | Bushing, throttle linkage                 |
| 16      | 12-079-10-S | Linkage, throttle                         |
| 17      | 25-158-11-S | Bushing, throttle linkage                 |

**NOTE:** All component dimensions given in U.S.  
inches 1 inch = 25.4 mm

**TRACTOR - - MODEL NUMBER 917.273142**  
**KOHLER ENGINE-MODEL NUMBER CV492, TYPE NUMBER 27506**





**TRACTOR - - MODEL NUMBER 917.273142  
 KOHLER ENGINE-MODEL NUMBER CV492, TYPE NUMBER 27506**

**FUEL SYSTEM**

| KEY NO. | PART NO.     | DESCRIPTION  |
|---------|--------------|--|
| 1       | M-641060-S   | Nut, hex. flange M6x1.0 (2)  |
| 2       | M-629116-S   | Stud M6x1.0x116 (2)  |
| 3       | 12-853-118-S | Kit, carburetor w/gasket (Includes 4,5,6 qty 1 Tie, cable 12-454-03-S, Terminal 25-452-20-S)   |
| 4       | 12-041-02-S  | Gasket, air cleaner  |
| 5       | 12-053-118   | Carburetor assembly (For information only not available separately) (Includes Kit, float 12-757-02-S Kit, carburetor repair 12-757-03-S, Kit, solenoid repair 12-757-33-S) |
| 6       | 12-041-01-S  | Gasket, carburetor (2)   |
| 7       | 12-265-06-S  | Deflector, heat  |
| 8       | 25-237-14-S  | Clamp, hose (2)  |
| 9       | 52-353-22-S  | Line, fuel 12-1/4"   |
| 10      | 25-050-03-S  | Filter, fuel in-line   |
| 11      | 47-154-01-S  | Clip cable   |

**NOT ILLUSTRATED**

|             |  |
|-------------|--|
| *M-561010-S | Screw, thread forming M5x0.8x10  |
| *X-22-11-S  | Washer, lock 1/4"  |
| 12-757-02-S | Kit, float   |
| 12-757-03-S | Kit, carburetor repair   |
| 12-041-01-S | Gasket, carburetor   |
| 12-041-02-S | Gasket, air cleaner  |
| 12-041-05-S | Gasket, bowl   |
| 12-041-06-S | Gasket, bowl screw   |
| 12-032-06-S | Seal, solenoid   |
| 12-757-33-S | Kit, solenoid repair   |
| 12-041-06-S | Gasket, bowl screw   |
| 12-454-03-S | Tie cable  |
| 25-452-20-S | Terminal   |
| 12-518-37-S | Lead, red, (37" - 20 gauge - insulated socket and unin-<br>sulated socket terminals) |

\*attaches carburetor ground lead to carb baffle.

**CRANKSHAFT**

| KEY NO. | PART NO.    | DESCRIPTION             |
|---------|-------------|-------------------------|
| 1       | 12-014-57-S | Crankshaft (Includes 2) |
| 2       | 25-139-27-S | Plug, cup               |

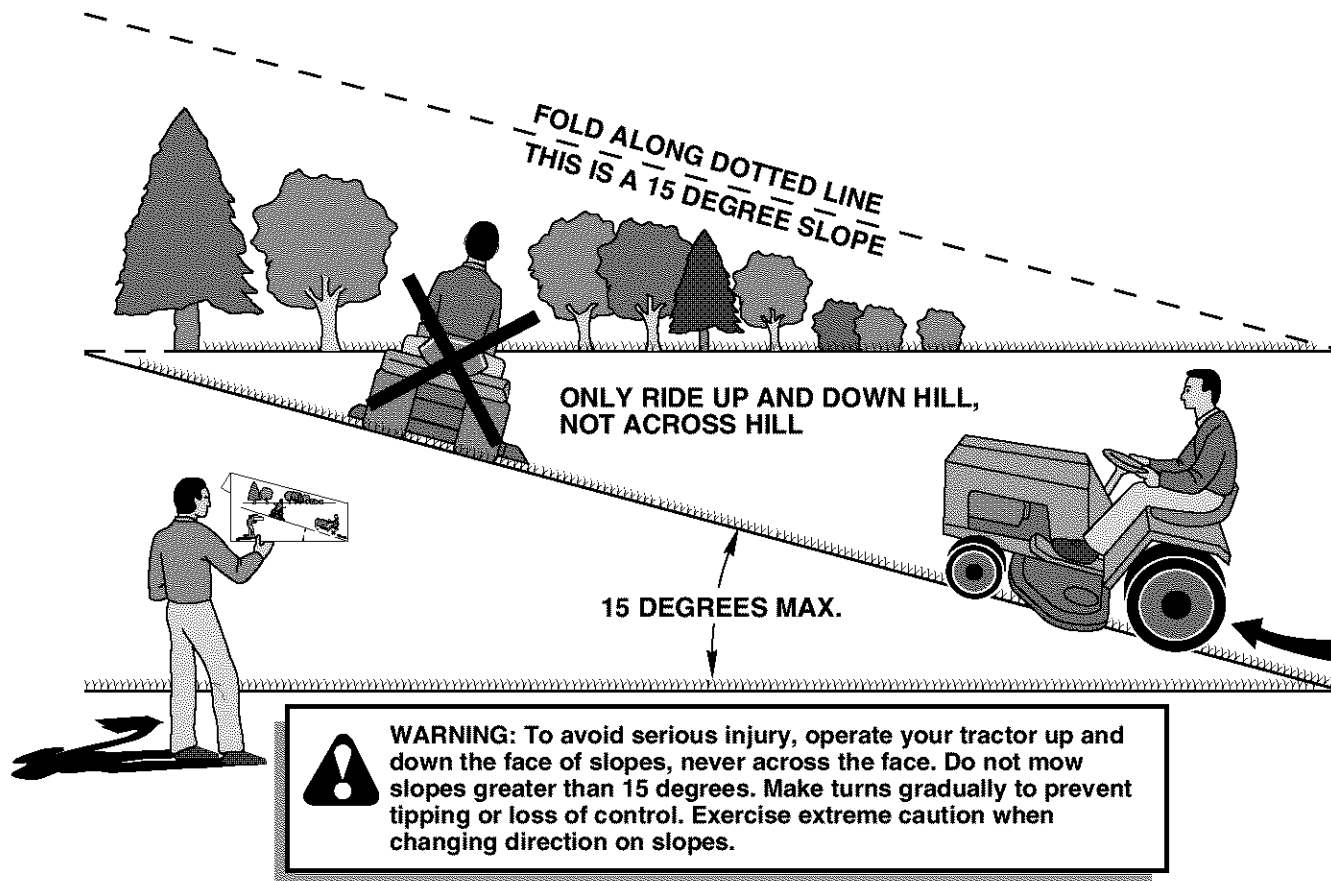
**EXHAUST**

| KEY NO. | PART NO.    | DESCRIPTION                      |
|---------|-------------|----------------------------------|
| 1       | 25-072-04-S | Stud, M8x1.25x33(2)              |
| 2       | 12-041-03-S | Gasket, exhaust manifold         |
| 3       | 12-126-11-S | Bracket muffler                  |
| 4       | 12-445-06-S | Strap, lifting                   |
| 5       | M-645025-S  | Screw, hex. flange M6x1.0x25 (2) |
|         | 12 522 49   | Short Block                      |
|         | 12-755-93-S | Gasket Set                       |

**NOTE:** All component dimensions given in U.S. inches 1 inch = 25.4 mm

# SERVICE NOTES

## SUGGESTED GUIDE FOR SIGHTING SLOPES FOR SAFE OPERATION



1. Fold this page along dotted line indicated above.
2. Hold page before you so that its left edge is vertically parallel to a tree trunk or other upright structure.
3. Sight across the fold in the direction of hill slope you want to measure.
4. Compare the angle of the fold with the slope of the hill.

# Get it fixed, at your home or ours!

## Your Home

For repair – **in your home** – of **all** major brand appliances, lawn and garden equipment, or heating and cooling systems, **no matter who made it, no matter who sold it!**

For the replacement parts, accessories and owner's manuals that you need to do-it-yourself.

For Sears professional installation of home appliances and items like garage door openers and water heaters.

**1-800-4-MY-HOME®** Anytime, day or night  
(1-800-469-4663) (U S A and Canada)  
[www.sears.com](http://www.sears.com) [www.sears.ca](http://www.sears.ca)

## Our Home

For repair of carry-in products like vacuums, lawn equipment, and electronics, call or go on-line for the nearest **Sears Parts and Repair Center.**

**1-800-488-1222** Anytime, day or night (U S A only)  
[www.sears.com](http://www.sears.com)

To purchase a protection agreement (U.S.A.) or maintenance agreement (Canada) on a product serviced by Sears:

**1-800-827-6655** (U.S.A.) **1-800-361-6665** (Canada)

Para pedir servicio de reparación a domicilio, y para ordenar piezas:

**1-888-SU-HOGAR<sup>SM</sup>**  
(1-888-784-6427)

Au Canada pour service en français:

**1-800-LE-FOYER<sup>MC</sup>**  
(1-800-533-6937)  
[www.sears.ca](http://www.sears.ca)

# SEARS

© Sears, Roebuck and Co

® Registered Trademark / <sup>TM</sup> Trademark / <sup>SM</sup> Service Mark of Sears, Roebuck and Co

® Marca Registrada / <sup>TM</sup> Marca de Fábrica / <sup>SM</sup> Marca de Servicio de Sears, Roebuck and Co

<sup>MC</sup> Marque de commerce / <sup>MD</sup> Marque déposée de Sears, Roebuck and Co