

Owner's Manual

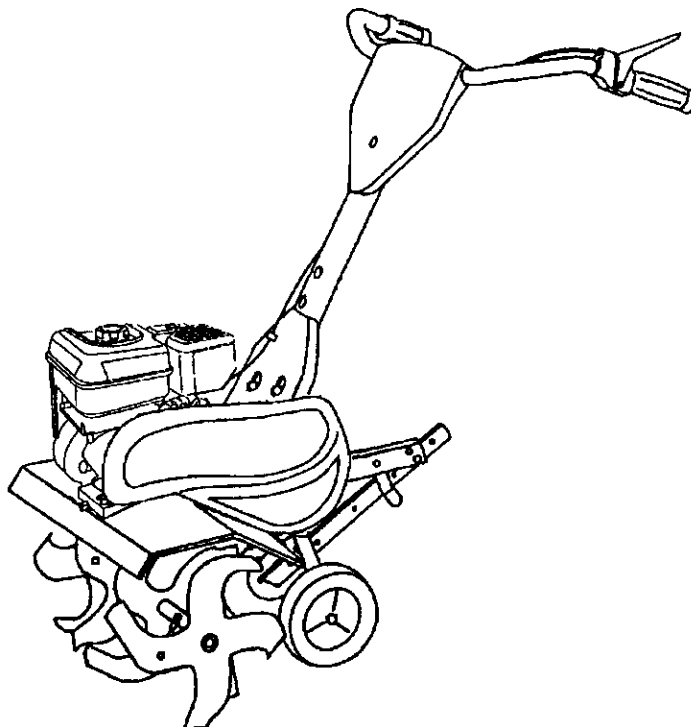


FRONT TINE TILLER

5.5 HP

24 Inch Tine Width

Model No.
917.292481



This product has a low emission engine which operates differently from previously built engines. Before you start the engine, read and understand this Owner's Manual.

CAUTION:

Read and follow all Safety Rules and Instructions before operating this equipment.

Sears, Roebuck and Co., Hoffman Estates, IL 60179 U.S.A.
Visit our Craftsman website: www.sears.com/craftsman

TABLE OF CONTENTS

Warranty	2	Maintenance	11
Safety Rules	2	Service and Adjustments	13
Product Specifications	4	Storage	3&16
Assembly	5	Troubleshooting	17
Operation	3&7	Illustrated Parts List	36
Maintenance Schedule	11	Sears Service	Back Cover

WARRANTY

LIMITED ONE YEAR WARRANTY ON CRAFTSMAN TILLER

For one (1) year from date of purchase, when this Craftsman Tiller is maintained, lubricated, and tuned up according to the operating and maintenance instructions in the owner's manual, Sears will repair free of charge any defect in material or workmanship.

This Warranty does not cover:

- Expendable items which become worn during normal use, such as tines, spark plugs, air cleaners and belts.
- Repairs necessary because of operator abuse or negligence, including bent crankshafts and the failure to maintain the equipment according to the instructions contained in the owner's manual.
- If this Craftsman Tiller is used for commercial or rental purposes, this Warranty applies for only thirty (30) days from the date of purchase.

Warranty service is available by returning the craftsman power mower to the nearest sears service center/department in the united states. This warranty applies only while this product is in use in the united states.

This Warranty gives you specific legal rights, and you may also have other rights which vary from state to state.

SEARS, ROEBUCK AND CO., D/817WA, HOFFMAN ESTATES, IL 60179 U.S.A.

SAFETY RULES

IMPORTANT: This cutting machine is capable of amputating hands and feet and throwing objects. Failure to observe the following safety instructions could result in serious injury or death.

TRAINING

- Read the Owner's Manual carefully. Be thoroughly familiar with the controls and the proper use of the equipment. Know how to stop the unit and disengage the controls quickly.
- Never allow children to operate the equipment. Never allow adults to operate the equipment without proper instruction.
- Keep the area of operation clear of all persons, particularly small children, and pets.

PREPARATION

- Thoroughly inspect the area where the equipment is to be used and remove all foreign objects.

- Disengage all clutches and shift into neutral before starting the engine (motor).
- Do not operate the equipment without wearing adequate outer garments. Wear footwear that will improve footing on slippery surfaces.
- Handle fuel with care; it is highly flammable.
- Use an approved fuel container.
- Never add fuel to a running engine or hot engine.
- Fill fuel tank outdoors with extreme care. Never fill fuel tank indoors.
- Replace gasoline cap securely and clean up spilled fuel before restarting.

SAFETY RULES

- Use extension cords and receptacles as specified by the manufacturer for all units with electric drive motors or electric starting motors.
- Never attempt to make any adjustments while the engine (motor) is running (except where specifically recommended by manufacturer).

OPERATION

- Do not put hands or feet near or under rotating parts.
- Exercise extreme caution when operating on or crossing gravel drives, walks, or roads. Stay alert for hidden hazards or traffic. Do not carry passengers.
- After striking a foreign object, stop the engine (motor), remove the wire from the spark plug, thoroughly inspect the tiller for any damage, and repair the damage before restarting and operating the tiller.
- Exercise caution to avoid slipping or falling.
- If the unit should start to vibrate abnormally, stop the engine (motor) and check immediately for the cause. Vibration is generally a warning of trouble.
- Stop the engine (motor) when leaving the operating position.
- Take all possible precautions when leaving the machine unattended. Disengage the tines, shift into neutral, and stop the engine.
- Before cleaning, repairing, or inspecting, shut off the engine and make certain all moving parts have stopped. Disconnect the spark plug wire, and keep the wire away from the plug to prevent accidental starting. Disconnect the cord on electric motors.
- Do not run the engine indoors; exhaust fumes are dangerous.
- Never operate the tiller without proper guards, plates, or other safety protective devices in place.
- Keep children and pets away.

- Do not overload the machine capacity by attempting to till too deep at too fast a rate.
- Never operate the machine at high speeds on slippery surfaces. Look behind and use care when backing.
- Never allow bystanders near the unit.
- Use only attachments and accessories approved by the manufacturer of the tiller.
- Never operate the tiller without good visibility or light.
- Be careful when tilling in hard ground. The tines may catch in the ground and propel the tiller forward. If this occurs, let go of the handlebars and do not restrain the machine.

MAINTENANCE AND STORAGE

- Keep machine, attachments, and accessories in safe working condition.
- Check shear pins, engine mounting bolts, and other bolts at frequent intervals for proper tightness to be sure the equipment is in safe working condition.
- Never store the machine with fuel in the fuel tank inside a building where ignition sources are present, such as hot water and space heaters, clothes dryers, and the like. Allow the engine to cool before storing in any enclosure.
- Always refer to the operator's guide instructions for important details if the tiller is to be stored for an extended period.

▲Look for this symbol to point out important safety precautions. It means **CAUTION!!! BECOME ALERT!!! YOUR SAFETY IS INVOLVED.**

▲CAUTION: Always disconnect spark plug wire and place wire where it cannot contact spark plug in order to prevent accidental starting when setting up, transporting, adjusting or making repairs.

▲WARNING: Engine exhaust, some of its constituents, and certain vehicle components contain or emit chemicals known to the State of California to cause cancer and birth defects or other reproductive harm.

PRODUCT SPECIFICATIONS

Gasoline Capacity:	3 Qts Unleaded Regular
Oil(API-SF-SJ): (Capacity: 20 oz.)	SAE 30 (Above 32°F) SAE 5w-30 (Below 32°F)
Spark Plug : (Gap: .030")	Champion RC12YC

CONGRATULATIONS on your purchase of a Sears Tiller. It has been designed, engineered and manufactured to give you the best possible dependability and performance.

Should you experience any problems you cannot easily remedy, please contact a Sears or other qualified Service Center. We have competent, well-trained technicians and the proper tools to service or repair this unit. Please read and retain this manual. The instructions will enable you to assemble and maintain your tiller properly. Always observe the "SAFETY RULES".

Your new tiller has been assembled at the factory with exception of those parts left unassembled for shipping purposes. To ensure safe and proper operation of your tiller all parts and hardware you assemble must be tightened securely. Use the correct tools as necessary to insure proper tightness.

CUSTOMER RESPONSIBILITIES

- Read and observe the safety rules.
- Follow a regular schedule in maintaining, caring for and using your tiller.
- Follow the instructions under the "Customer Responsibilities" and "Storage" sections of this Owner's Manual.


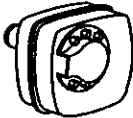

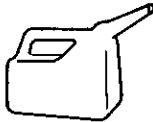


⚠ WARNING: This unit is equipped with an internal combustion engine and should not be used on or near any unimproved forest-covered, brush-covered or grass covered land unless the engine's exhaust system is equipped with a spark arrester meeting applicable local or state laws (if any). If a spark arrester is used, it should be maintained in effective working order by the operator.

In the state of California the above is required by law (Section 4442 of the California Public Resources Code). Other states may have similar laws. Federal laws apply on federal lands. A spark arrester for the muffler is available through your nearest Sears service center (See REPAIR PARTS section of this manual).



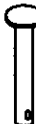

ACCESSORIES

These accessories were available when the tiller was purchased. They are also available at most Sears Retail outlets and Service Centers. Most Sears Stores can order repair parts for you when you provide the model number of your tiller.

ENGINE

SPARK PLUG	MUFFLER	AIR FILTER	GAS CAN	ENGINE OIL	STABILIZER
					

TILLER MAINTENANCE

BELT	TINES	SHEAR PIN	HAIRPIN CLIP
			

ASSEMBLY

Your new tiller has been assembled at the factory with the exception of those parts left unassembled for shipping purposes. To ensure safe and proper operation of your tiller all parts and hardware you assemble must be tightened securely. Use the correct tools as necessary to insure proper tightness.

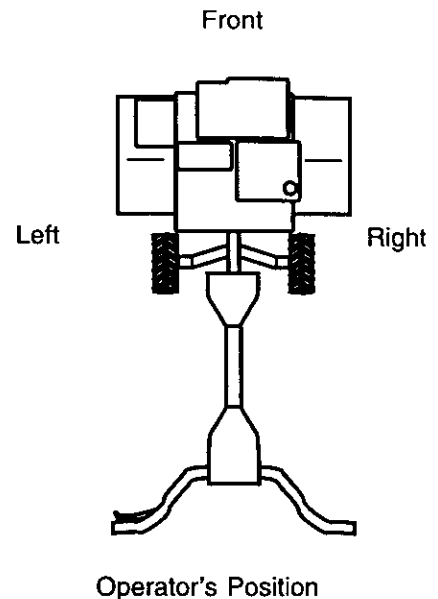
TOOLS REQUIRED FOR ASSEMBLY

A socket wrench set will make assembly easier. Standard wrench sizes are listed.

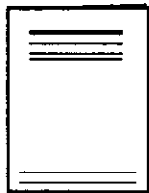
- (1) Utility knife
- (2) 1/2 Wrench

OPERATOR'S POSITION

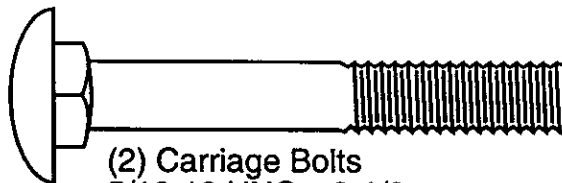
When right or left hand is mentioned in this manual, it means when you are in the operating position (standing behind tiller handles).



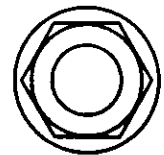
CONTENTS OF HARDWARE PACK



(1) Manual



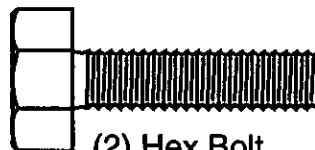
(2) Carriage Bolts
5/16-18 UNC x 2-1/2



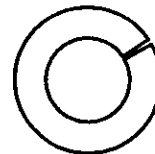
(2) Flange
Locknuts
5/16-18 UNC



(1) Bottle
Engine Oil



(2) Hex Bolt
5/16-18 x 1-1/4



(2) Lock
Washer
5/16



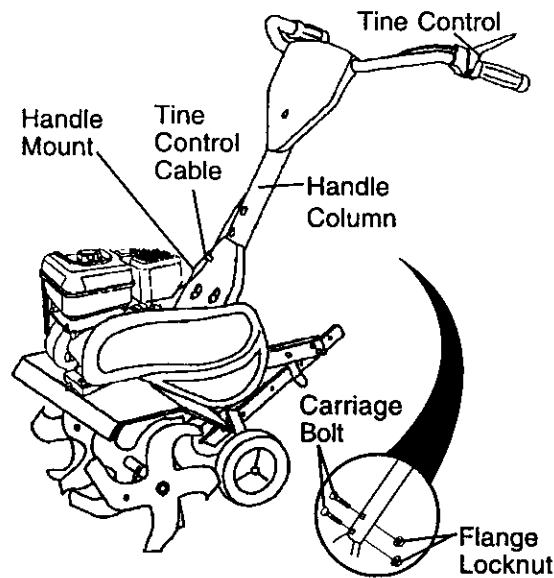
(2) Hex Nut
5/16-18

UNPACK CARTON & INSTALL HANDLE

CAUTION: Be careful of exposed staples when handling or disposing of cartoning material.

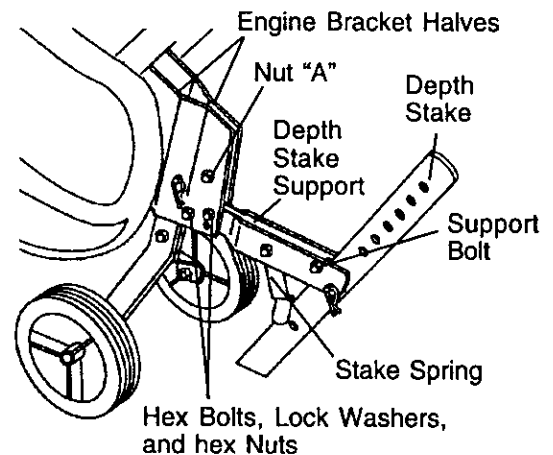
IMPORTANT: When unpacking and assembling tiller, be careful not to stretch or kink cable(s).

1. Cut cable ties securing handle column.
 2. Route cable(s) as shown and slide handle column onto handle mount.
 3. Remove all packing from carton.
 4. Secure handle column using two (2) carriage bolts and two (2) flange locknuts. Tighten securely.
 5. Cut away carton.
 6. Route tine control cable(s) through plastic cable clip on handle mount.
- NOTE:** Cables must not touch the muffler.
7. Cut cable ties securing tiller to skid. Remove tiller from skid by pulling backwards.
 8. Remove screws securing depth stake to skid and discard the screws.



INSTALL DEPTH STAKE ASSEMBLY

1. Loosen nut "A".
2. Insert stake support between engine bracket halves with stake spring down.
3. Bolt stake support to engine brackets with bolts, lock washers and nuts. Tighten securely. Tighten nut "A".
4. Depth stake must move freely. If it does not, loosen support bolt.



HANDLE HEIGHT

- Handle height may be adjusted to better suit operator. (See "HANDLE HEIGHT" in the Service and Adjustments section of this manual).

TILLING WIDTH

- Tilling width may be adjusted to better handle your tilling conditions (See "TINE ARRANGEMENT" in the Service and Adjustments section of this manual).

TINE OPERATION

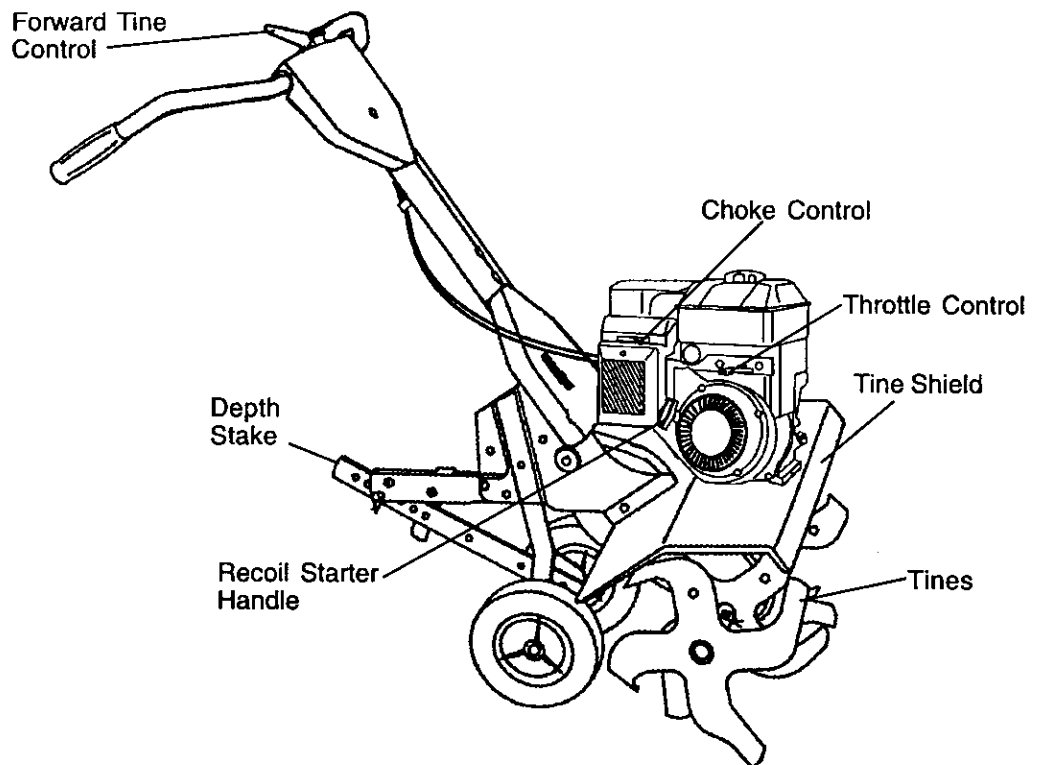
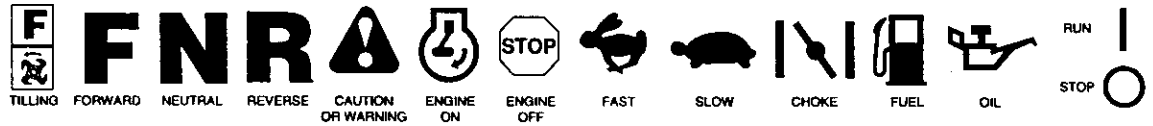
- Check tine operation before first use. (See "TINE OPERATION CHECK" in the Service and Adjustments section of this manual).

OPERATION

KNOW YOUR TILLER

READ THIS OWNER'S MANUAL AND SAFETY RULES BEFORE OPERATING YOUR TILLER

Compare the illustrations with your tiller to familiarize yourself with the locations of various controls and adjustments. Save this manual for future reference.



Our tillers conform to the safety standards of the American National Standards Institute.

FORWARD TINE CONTROL - Engages tines in forward direction.

CHOKE CONTROL - Used when starting a cold engine.

THROTTLE CONTROL - Used to control engine speed.

DEPTH STAKE - Controls forward speed and the depth at which tiller will dig.

RECOIL STARTER HANDLE - Used to start the engine.



The operation of any tiller can result in foreign objects thrown into the eyes, which can result in severe eye damage. Always wear safety glasses or eye shields before starting your tiller and while tilling. We recommend standard safety glasses or a wide vision safety mask worn over spectacles.

HOW TO USE YOUR TILLER

Know how to operate all controls before adding fuel and oil or attempting to start engine.

STOPPING

TINES

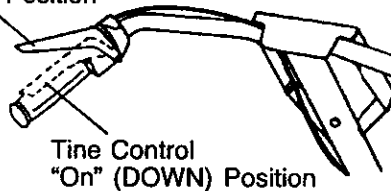
- Release tine control to stop movement.

ENGINE

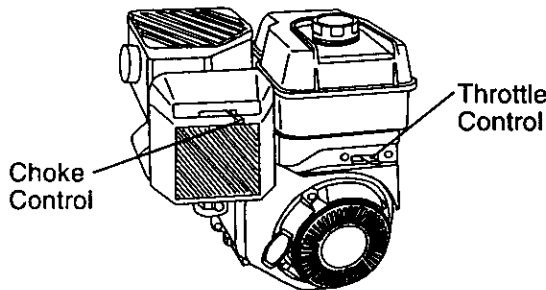
- Move throttle control to "STOP" position.

NOTE: Never use choke to stop engine.

Tine Control
"Off" (UP) Position



Tine Control
"On" (DOWN) Position



TINE OPERATION

- Squeeze tine control to handle.

TILLING

The speed and depth of tilling is regulated by the position of the depth stake and wheel height.

The depth stake should always be below the wheels for digging. It serves as a brake to slow the tiller's forward motion to enable the tines to penetrate the ground. Also, the more the depth stake is lowered into the ground the deeper the tines will dig.

DEPTH STAKE

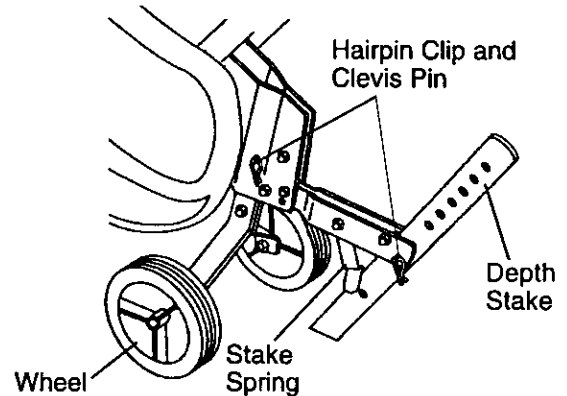
Adjust depth stake by removing the hairpin clip and clevis pin. Change depth stake to desired position. Replace the clevis pin and hairpin clip.

- For normal tilling, set depth stake at the second or third hole from the top.

WHEELS

Adjust wheels by removing the hairpin clip and clevis pin. Change wheel position. Replace the hairpin clip and clevis pin.

- For normal tilling, set wheels at the second or third hole from the top.



TO TRANSPORT

CAUTION: Before lifting or transporting, allow tiller engine and muffler to cool. Disconnect spark plug wire. Drain gasoline from fuel tank.

AROUND THE YARD

1. Tip depth stake forward until it is held by the stake spring.
2. Push tiller handles down, raising tines off the ground.
3. Push or pull tiller to desired location.

AROUND TOWN

1. Disconnect spark plug wire.
2. Drain fuel tank.
3. Transport in upright position to prevent oil leakage.

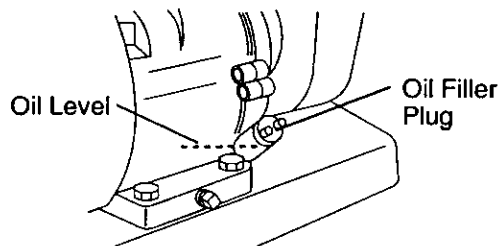
BEFORE STARTING ENGINE

IMPORTANT: Be very careful not to allow dirt to enter the engine when checking or adding oil or fuel. Use clean oil and fuel and store in approved, clean, covered containers. Use clean fill funnels.

FILL ENGINE WITH OIL

1. Remove hangtag from engine.
2. With engine level, remove engine oil filler plug.
3. Fill engine with oil to point of overflowing. For approximate capacity see "PRODUCT SPECIFICATIONS" on page 4 of this manual. All oil must meet A.P.I. Service Classification SF-SJ.

4. Tilt tiller back on its wheels and then re-level.
 5. With engine level, refill to point of overflowing if necessary. Replace oil filler plug.
- For cold weather operation you should change oil for easier starting (See "OIL VISCOSITY CHART" in the Maintenance section of this manual).
 - To change engine oil, see the Maintenance section of this manual.



ADD GASOLINE

- Fill fuel tank. Use fresh, clean, regular unleaded gasoline. (Use of leaded gasoline will increase carbon and lead oxide deposits and reduce valve life.)

IMPORTANT: When operating in temperatures below 32°F(0°C), use fresh, clean, winter grade gasoline to help insure good cold weather starting.

CAUTION: Alcohol blended fuels (called gasohol or using ethanol or methanol) can attract moisture which leads to separation and formation of acids during storage. Acidic gas can damage the fuel system of an engine while in storage. **To avoid engine problems, the fuel system should be emptied before storage of 30 days or longer.** Drain the gas tank, start the engine and let it run until the fuel lines and carburetor are empty. **Use fresh fuel next season.** See Storage section of this manual for additional information. Never use engine or carburetor cleaner products in the fuel tank or permanent damage may occur.

CAUTION: Fill to within 1/2 inch of top of fuel tank to prevent spills and to allow for fuel expansion. If gasoline is accidentally spilled, move machine away from area of spill. Avoid creating any source of ignition until gasoline vapors have disappeared.

Do not overfill. Wipe off any spilled oil or fuel. Do not store, spill or use gasoline near an open flame.

TO START ENGINE

CAUTION: Keep tine control in "OFF" position when starting engine.

When starting engine for the first time or if engine has run out of fuel, it will take extra pulls of the recoil starter to move fuel from the tank to the engine.

1. Make sure spark plug wire is properly connected.
2. Place throttle control in "FAST" position.
3. Move choke control to full "CHOKE" position. Grasp recoil starter handle with one hand and grasp tiller handle with other hand. Pull rope out slowly until engine reaches start of compression cycle (rope will pull slightly harder at this point).
4. Pull recoil starter handle quickly. Do not let starter handle snap back against starter. Repeat if necessary.

NOTE: If engine fires but does not start, move choke control to half choke position. Pull recoil starter handle until engine starts.

5. When engine starts, slowly move choke control to "RUN" position as engine warms up.

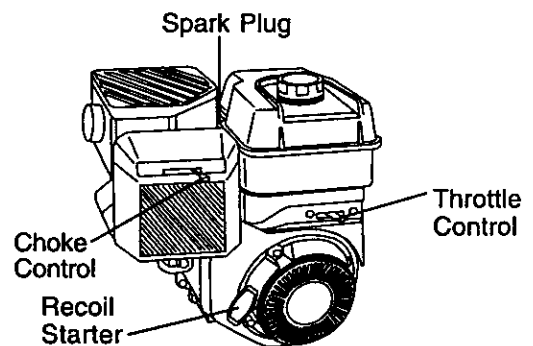
NOTE: A warm engine requires less choking to start.

6. Move throttle control to desired running position.

7. Allow engine to warm up for a few minutes before engaging tines.

NOTE: If at a high altitude (3000 feet) or in cold temperatures (below 32°F), the carburetor fuel mixture may need to be adjusted for best engine performance. See "TO ADJUST CARBURETOR" in the Service and Adjustments section of this manual.

NOTE: If engine does not start, see troubleshooting points.



BREAKING IN YOUR TILLER

Break-in your belt(s), pulleys and tine control before you actually begin tilling.

- Start engine, tip tines off ground by pressing handles down and engage tine control to start tine rotation. Allow tines to rotate for five minutes.
- Check tine operation and adjust if necessary. See "TINE OPERATION CHECK" in the Service and Adjustments section of this manual.

TILLING HINTS

CAUTION: Until you are accustomed to handling your tiller, start actual field use with throttle in slow position.

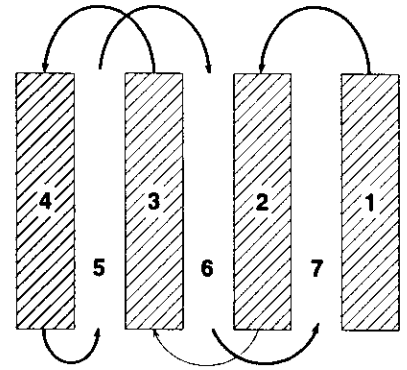
To help tiller move forward, lift up the handles slightly (thus lifting depth stake out of ground). To slow down the tiller, press down on handles.

If you are straining or tiller is shaking, the wheels and depth stake are not set properly in the soil being tilled. The proper setting of the wheels and depth stake is through trial and error and depends upon the soil condition. (The harder or wetter the ground, the slower the engine and tine speed needed. Under these poor conditions, at fast speed the tiller will run and jump over the ground).

A properly adjusted tiller will dig with little effort from the operator.

- Tilling is digging into, turning over, and breaking up packed soil before planting. Loose, unpacked soil helps root growth. Best tilling depth is 4"-6". A tiller will also clear the soil of unwanted vegetation. The decomposition of this vegetable matter enriches the soil. Depending on the climate (rainfall and wind), it may be advisable to till the soil at the end of the growing season to further condition the soil.
- Soil conditions are important for proper tilling. Tines will not readily penetrate dry, hard soil which may contribute to excessive bounce and difficult handling of your tiller. Hard soil should be moistened before tilling; however, extremely wet soil will "ball-up" or clump during tilling. Wait until the soil is less wet in order to achieve the best results. When tilling in the fall, remove vines and long grass to prevent them from wrapping around the tine shaft and slowing your tilling operation.

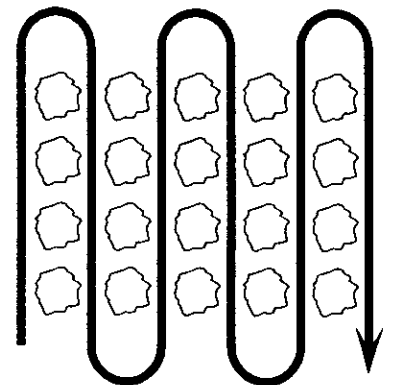
- You will find tilling much easier if you leave a row untilled between passes. Then go back between tilled rows. There are two reasons for doing this. First, wide turns are much easier to negotiate than about-faces. Second, the tiller won't be pulling itself, and you, toward the row next to it.
- Set depth stake and wheel height for shallow tilling when working extremely hard soil or sod. Then work across the first cuts at normal depth.



CULTIVATING

Cultivating is destroying the weeds between rows to prevent them from robbing nourishment and moisture from the plants. At the same time, breaking up the upper layer of soil crust will help retain moisture in the soil. Best digging depth is 1"-3".

- You will probably not need to use the depth stake. Begin by tipping the depth stake forward until it is held by the stake spring.
- Cultivate up and down the rows at a speed which will allow tines to uproot weeds and leave the ground in rough condition, promoting no further growth of weeds and grass.



MAINTENANCE

MAINTENANCE SCHEDULE	SERVICE DATES											
	BEFORE EACH USE	EVERY 5 HOURS	EVERY 25 HOURS	EVERY 50 HOURS								
FILL IN DATES AS YOU COMPLETE REGULAR SERVICE												
Check Engine Oil Level	✓	✓										
Change Engine Oil				✓ _{1,2}								
Oil Pivot Points		✓										
Inspect Spark Arrester / Muffler				✓								
Inspect Air Screen	✓											
Clean or Replace Air Cleaner Cartridge				✓ ₂								
Clean Engine Cylinder Fins				✓								
Replace Spark Plug				✓								

1 - Change more often when operating under a heavy load or in high ambient temperatures.
 2 - Service more often when operating in dirty or dusty conditions.

GENERAL RECOMMENDATIONS

The warranty on this tiller does not cover items that have been subjected to operator abuse or negligence. To receive full value from the warranty, the operator must maintain tiller as instructed in this manual.

Some adjustments will need to be made periodically to properly maintain your tiller.

All adjustments in the Service and Adjustments section of this manual should be checked at least once each season.

- Once a year you should replace the spark plug, clean or replace air filter, and check tines and belts for wear. A new spark plug and clean air filter assure proper air-fuel mixture and help your engine run better and last longer.

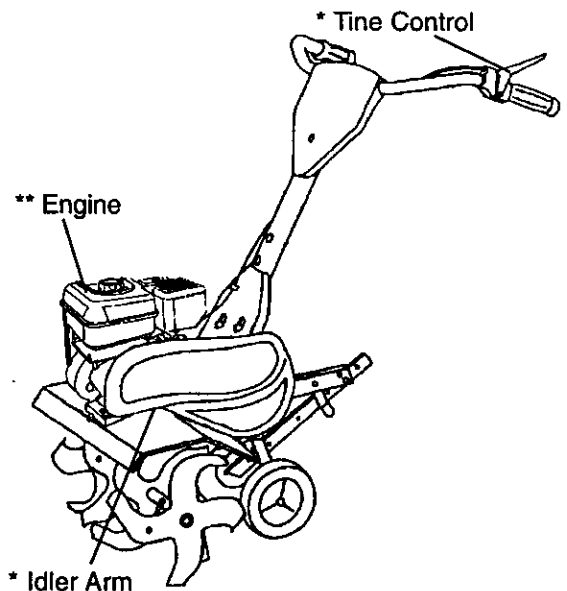
BEFORE EACH USE

1. Check engine oil level.
2. Check tine operation.
3. Check for loose fasteners.

LUBRICATION

Keep unit well lubricated (See "LUBRICATION CHART").

LUBRICATION CHART



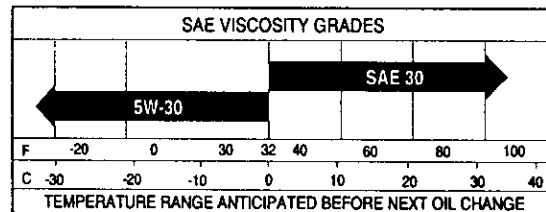
- * SAE 30 or 10W-30 Motor Oil
- ** Refer to Maintenance "ENGINE" section

CAUTION: Disconnect spark plug wire before performing any maintenance (except carburetor adjustment) to prevent accidental starting of engine. Prevent fires! Keep the engine free of grass, leaves, spilled oil, or fuel. Remove fuel from tank before tipping unit for maintenance. Clean muffler area of all grass, dirt, and debris. Do not touch hot muffler or cylinder fins as contact may cause burns.

ENGINE

LUBRICATION

Use only high quality detergent oil rated with API service classification SF-SJ. Select the oil's SAE viscosity grade according to your expected temperature.



NOTE: Although multi-viscosity oils (5W-30, 10W-30, etc.) improve starting in cold weather, these multi-viscosity oils will result in increased oil consumption when used above 32°F (0°C). Check your engine oil level more frequently to avoid possible engine damage from running low on oil.

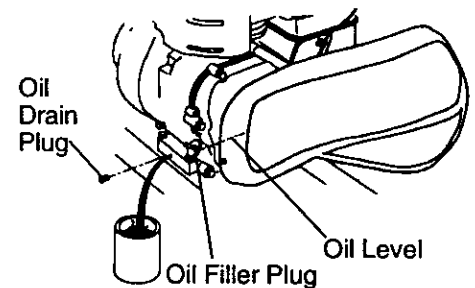
Change the oil after every 50 hours of operation or at least once a year if the tiller is not used for 50 hours in one year. Check the crankcase oil level before starting the engine and after each five (5) hours of continuous use. Add SAE 30 motor oil or equivalent. Tighten oil filler plug securely each time you check the oil level.

TO CHANGE ENGINE OIL

Determine temperature range expected before oil change. All oil must meet API service classification SF-SJ.

- Be sure tiller is on level surface.
 - Oil will drain more freely when warm.
 - Catch oil in a suitable container.
1. Remove drain plug.
 2. Tip tiller forward to drain oil.
 3. After oil has drained completely, replace oil drain plug and tighten securely.
 4. Remove oil filler plug. Be careful not to allow dirt to enter the engine.

5. Refill engine with oil. See "FILL ENGINE WITH OIL" in the Operation



AIR CLEANER

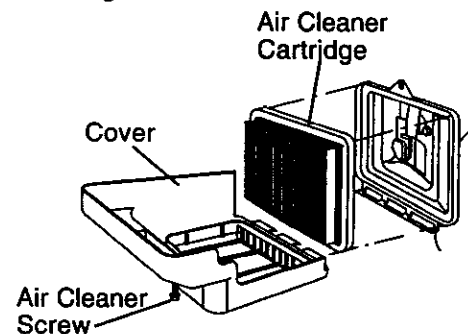
Service air cleaner cartridge every twenty-five hours, more often if engine is used in very dusty conditions.

1. Loosen air cleaner screw.
2. Remove air cleaner cover.
3. Carefully remove air cleaner cartridge. Be careful. Do not allow dirt or debris to fall into carburetor.
4. Clean by tapping gently on a flat surface.

NOTE: If very dirty or damaged, replace cartridge.

5. Clean and replace cover. Tighten screw securely.

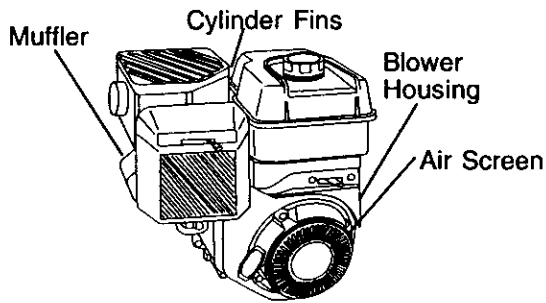
CAUTION: Petroleum solvents, such as kerosene, are not to be used to clean cartridge. They may cause deterioration of the cartridge. Do not oil cartridge. Do not use pressurized air to clean or dry cartridge.



COOLING SYSTEM

Your engine is air cooled. For proper engine performance and long life keep your engine clean.

- Clean air screen frequently using a stiff-bristled brush.
- Remove blower housing and clean as necessary.
- Keep cylinder fins free of dirt and chaff.



MUFFLER

Do not operate tiller without muffler. Do not tamper with exhaust system. Damaged mufflers or spark arresters could create a fire hazard. Inspect periodically and replace if necessary. If your engine is equipped with a spark arrester screen assembly, remove every 50 hours for cleaning and inspection. Replace if damaged.

SPARK PLUG

Replace spark plugs at the beginning of each tilling season or after every 50 hours of use, whichever comes first.

Spark plug type and gap setting are shown in "PRODUCT SPECIFICATIONS" on page 4 of this manual.

TRANSMISSION

Your transmission is sealed and will not require lubrication unless serviced.

CLEANING

Do not clean your tiller when the engine and transmission are hot. We do not recommend using pressurized water (garden hose, etc.) to clean your unit unless the gasket area around the transmission and the engine muffler, air filter and carburetor are covered to keep water out. Water in engine will shorten the useful life of your tiller.

- Clean engine, wheels, finish, etc. of all foreign matter.
- Keep finished surfaces and wheels free of all gasoline, oil, etc.
- Protect painted surfaces with automotive type wax.

SERVICE AND ADJUSTMENTS

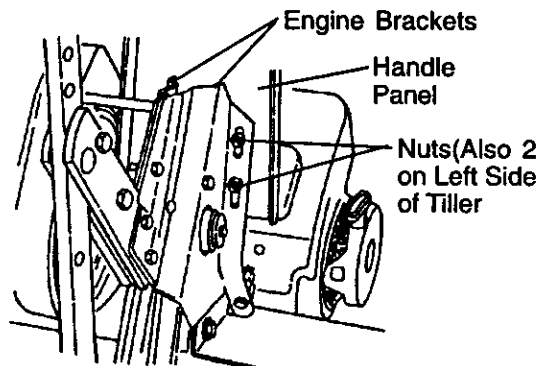
CAUTION: Disconnect spark plug wire from spark plug and place wire where it cannot come into contact with plug.

TILLER

TO ADJUST HANDLE HEIGHT

Factory assembly has provided lowest handle height. Select handle height best suited for your tilling conditions. Handle height will be different when tiller digs into soil.

1. If a higher handle height is desired, loosen the four nuts securing handle panel to engine brackets.
2. Slide handle panel to desired location.
3. Tighten the four nuts securely.



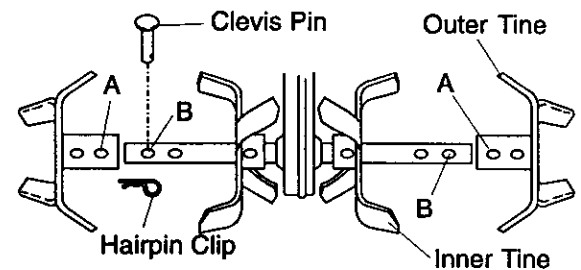
TINE ARRANGEMENT

Your outer tines can be assembled in several different ways to suit your tilling or cultivating needs.

CAUTION: Tines are sharp. Wear gloves or other protection when handling tines.

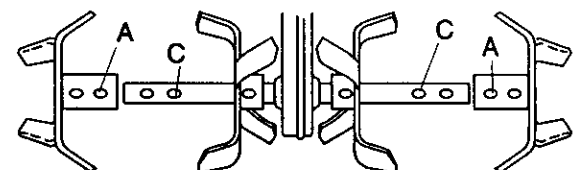
NORMAL TILLING - 24" PATH

- Assemble holes "A" in tine hubs to holes "B" in tine shaft.



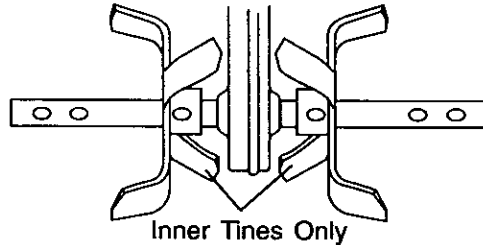
MID-WIDTH TILLING - 22" PATH

- Assemble holes "A" in tine hubs to holes "C" in tine shaft.



NARROW TILLING/CULTIVATING - 12-3/4" PATH

- Remove outer tines.



NOTE: When reassembling outer tines, be sure right tine assembly (marked "R") and left tine assembly (marked "L") are mounted to correct side of tine shaft.

TINE OPERATION CHECK

⚠WARNING: Disconnect spark plug wire from spark plug to prevent starting while checking tine operation.

For proper tine operation, tine control lever must be against control body and all slack removed from inner wire of control cable when control is in the "OFF" (up) position.

If lever and cable are loose, loosen cable clip at lower end of cable. Pull up on cable to remove slack, without extending spring on end of cable, and retighten cable clip.

FINAL CHECK "OFF" POSITION

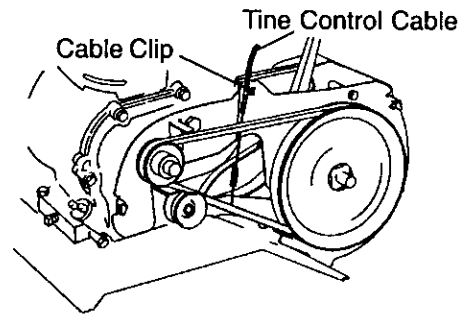
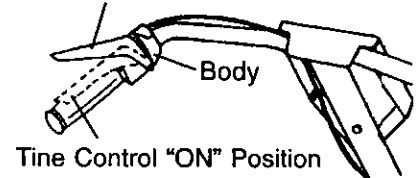
1. With tine control "OFF" (up), push down on handle to raise tines off the ground.
2. Slowly pull recoil starter handle while observing tines. Tines should not rotate.
3. If tines rotate, inner wire of control cable is too tight which is extending lower spring and engaging tines. Loosen cable clip and push down on cable only enough to relieve spring tension. Tighten cable clip.
4. Recheck in "OFF" position and adjust if necessary.

FINAL CHECK "ON" POSITION

5. With tine control "ON" (held down to handle) push down on handle to raise tines off the ground.
6. Slowly pull recoil starter handle while observing tines. Tines should rotate forward.
7. If tines do not rotate, inner wire of control cable is too loose. Loosen cable clip and pull cable up to remove slack and retighten clip.
8. Recheck in "ON" position and adjust if necessary.

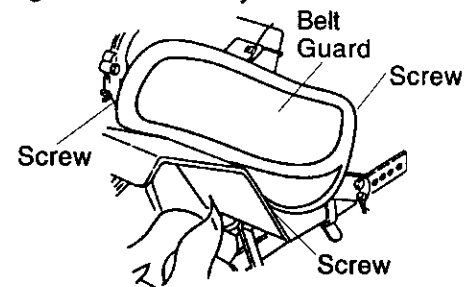
NOTE: If "ON" position check required adjustment, recheck "OFF" position adjustment to insure tines do not rotate when control is "OFF" (up).

Tine Control "OFF" Position



TO REMOVE BELT GUARD

1. Remove screws from side of belt guard.
2. Pull belt guard out and away from unit.
3. Replace belt guard by reversing above procedure. Be sure slot in bottom of belt guard is under head of tine shield bolt and all nuts are tightened securely.



TO REPLACE V-BELT

Replace V-belt if it has stretched considerably or if it has cracks or frayed edges.

1. Belt guard must be removed to service belt. See "TO REMOVE BELT GUARD" in this section of manual.

BELT REMOVAL

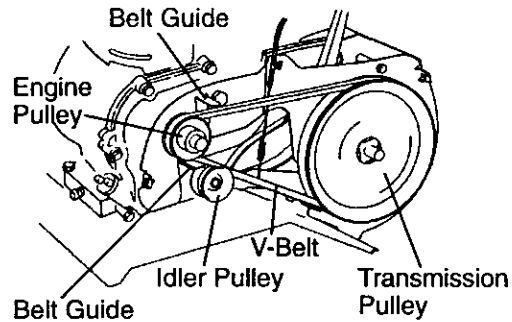
2. Remove V-belt from transmission pulley first and then from engine pulley.

BELT REPLACEMENT

3. Install new V-belt to engine pulley first then to transmission pulley. Be sure belt is positioned on inside groove of both pulleys, inside all belt guides and rests on idler pulley.

CHECK TINE OPERATION

4. See "TINE OPERATION CHECK" in this section of manual.
5. Replace belt guard



ENGINE

Maintenance, repair, or replacement of the emission control devices and systems, which are being done at the customer's expense, may be performed by any non-road engine repair establishment or individual. Warranty repairs must be performed by an authorized engine manufacturer's service outlet.

TO ADJUST CARBURETOR

The carburetor has been preset at the factory and adjustment should not be necessary. However, engine performance can be affected by differences in fuel, temperature, altitude or load. If the carburetor does need adjustment, contact your nearest authorized service center/department

IMPORTANT: Never tamper with the engine governor, which is factory set for proper engine speed. Overspeeding the engine above the factory high speed setting can be dangerous. If you think the engine-governed high speed needs adjusting, contact your nearest sears or other qualified service center which has the proper equipment and experience to make any necessary adjustments.

STORAGE

Immediately prepare your tiller for storage at the end of the season or if the unit will not be used for 30 days or more.

CAUTION: Never store the tiller with gasoline in the tank inside a building where fumes may reach an open flame or spark. Allow the engine to cool before storing in any enclosure.

TILLER

1. Clean entire tiller (See "CLEANING" in the Maintenance section of this manual).
2. Inspect and replace belts, if necessary (See belt replacement instructions in the Service and Adjustments section of this manual).
3. Lubricate as shown in the Maintenance section of this manual.
4. Be sure that all nuts, bolts and screws are securely fastened. Inspect moving parts for damage, breakage and wear. Replace if necessary.
5. Touch up all rusted or chipped paint surfaces; sand lightly before painting.

ENGINE

FUEL SYSTEM

IMPORTANT: It is important to prevent gum deposits from forming in essential fuel system parts such as the carburetor, fuel filter, fuel hose, or tank during storage. Also, alcohol blended fuels (called gasohol or using ethanol or methanol) can attract moisture which leads to separation and formation of acids during storage. Acidic gas can damage the fuel system of an engine while in storage.

1. Drain the fuel tank.
 2. Start the engine and let it run until the fuel lines and carburetor are empty.
- Never use engine or carburetor cleaner products in the fuel tank or permanent damage may occur.
 - Use fresh fuel next season.

NOTE: Fuel stabilizer is an acceptable alternative in minimizing the formation of fuel gum deposits during storage. Add stabilizer to gasoline in fuel tank or storage container. Always follow the mix ratio found on stabilizer container. Run engine at least 10 minutes after adding stabilizer to allow the stabilizer to reach the carburetor. Do not drain the gas tank and carburetor if using fuel stabilizer.

ENGINE OIL

Drain oil (with engine warm) and replace with clean oil. (See "ENGINE" in the Maintenance section of this manual).

CYLINDER

1. Remove spark plug.
2. Pour 1 ounce (29 ml) of oil through spark plug hole into cylinder.
3. Pull starter handle slowly several times to distribute oil.
4. Replace with new spark plug.

OTHER

- Do not store gasoline from one season to another.
- Replace your gasoline can if your can starts to rust. Rust and/or dirt in your gasoline will cause problems.
- If possible, store your unit indoors and cover it to give protection from dust and dirt.
- Cover your unit with a suitable protective cover that does not retain moisture. Do not use plastic. Plastic cannot breathe which allows condensation to form and will cause your unit to rust.

IMPORTANT: Never cover tiller while engine and exhaust areas are still warm.

TROUBLESHOOTING CHART:

See appropriate section in manual unless directed to Sears service center

PROBLEM	CAUSE	CORRECTION
Will not start	<ol style="list-style-type: none"> 1. Out of fuel. 2. Engine not "CHOKED" properly. 3. Engine flooded. 4. Dirty air cleaner. 5. Water in fuel. 6. Clogged fuel tank. 7. Loose spark plug wire. 8. Bad spark plug or improper gap. 9. Carburetor out of adjustment. 	<ol style="list-style-type: none"> 1. Fill fuel tank. 2. See "TO START ENGINE" in the Operation section. 3. Wait several minutes before attempting to start. 4. Clean or replace air cleaner cartridge. 5. Drain fuel tank and carburetor, and refill tank with fresh gasoline. 6. Remove fuel tank and clean. 7. Make sure spark plug wire is seated properly on plug. 8. Replace spark plug or adjust gap. 9. Make necessary adjustments.
Hard to start	<ol style="list-style-type: none"> 1. Throttle control not set properly. 2. Dirty air cleaner. 3. Bad spark plug or improper gap. 4. Stale or dirty fuel. 5. Loose spark plug wire. 6. Carburetor out of adjustment. 	<ol style="list-style-type: none"> 1. Place throttle control in "FAST" position. 2. Clean or replace air cleaner cartridge. 3. Replace spark plug or adjust gap. 4. Drain fuel tank and refill with fresh gasoline. 5. Make sure spark plug wire is seated properly on plug. 6. Make necessary adjustments.
Loss of power	<ol style="list-style-type: none"> 1. Engine is overloaded. 2. Dirty air cleaner. 3. Low oil level/dirty oil. 4. Faulty spark plug. 5. Oil in fuel. 6. Stale or dirty fuel. 7. Water in fuel. 8. Clogged fuel tank. 9. Spark plug wire loose. 10. Dirty engine air screen. 11. Dirty/clogged muffler. 12. Carburetor out of adjustment. 13. Poor compression. 	<ol style="list-style-type: none"> 1. Set depth stake and wheels for shallower tilling. 2. Clean or replace air cleaner cartridge. 3. Check oil level/change oil. 4. Clean and regap or change spark plug. 5. Drain and clean fuel tank and refill, and clean carburetor. 6. Drain fuel tank and refill with fresh gasoline. 7. Drain fuel tank and carburetor, and refill tank with fresh gasoline. 8. Remove fuel tank and clean. 9. Connect and tighten spark plug wire. 10. Clean engine air screen. 11. Clean/replace muffler. 12. Make necessary adjustments. 13. Contact a Sears or other qualified service center.

TROUBLESHOOTING CHART:

See appropriate section in manual unless directed to Sears service center

PROBLEM	CAUSE	CORRECTION
Engine overheats	<ol style="list-style-type: none">1. Low oil level/dirty oil.2. Dirty engine air screen.3. Dirty engine.4. Partially plugged muffler.5. Improper carburetor adjustment.	<ol style="list-style-type: none">1. Check oil level/change oil.2. Clean engine air screen.3. Clean cylinder fins, airscreen, muffler area.4. Remove and clean muffler.5. Adjust carburetor to richer position.
Excessive bounce/difficult handling	<ol style="list-style-type: none">1. Ground too dry and hard.2. Wheels and depth stake incorrectly adjusted.	<ol style="list-style-type: none">1. Moisten ground or wait for more favorable soil conditions.2. Adjust wheels and depth stake.
Soil balls up or clumps	<ol style="list-style-type: none">1. Ground too wet.	<ol style="list-style-type: none">1. Wait for more favorable soil conditions.
Engine runs but tiller won't move	<ol style="list-style-type: none">1. Tine control is not engaged.2. V-belt not correctly adjusted.3. V-belt is off pulley(s).	<ol style="list-style-type: none">1. Engage tine control.2. Inspect/adjust V-belt.3. Inspect V-belt.
Engine runs but labors when tilling	<ol style="list-style-type: none">1. Tilling too deep.2. Throttle control not properly adjusted.3. Carburetor out of adjustment.	<ol style="list-style-type: none">1. Set depth stake for shallower tilling.2. Check throttle control setting.3. Make necessary adjustments.

TABLA DE CONTENIDOS

Garantía	19	Programa De Mantenimiento	28
Reglas de Seguridad	19	Mantenimiento	28
Especificaciones del producto	21	Servicio y Ajustes	30
Montaje	22	Almacenamiento	20&33
Operación	20&24	Identificación de Problemas	34
		Ve a el manual Inglés del dueño ..	Back Cover

GARANTIA

GARANTÍA LIMITADA DE UNO AÑO PARA LA CULTIVADORA CRAFTSMAN

Por un (1) año, a partir de la fecha de compra, cuando esta Cultivadora Craftsman se mantenga, lubrique y afine según las instrucciones para la operación y el mantenimiento en el manual del dueño, Sears reparará, gratis, todo defecto en el material y la mano de obra.

Esta Garantía no cubre:

- Artículos que se desgastan durante el uso normal tales como los brazos, las bujías, los filtros de aire y las correas.
- Reparaciones necesarias debido al abuso o a la negligencia del operador, incluyéndose a los cigüeñales doblados y a la falta de mantenimiento del equipo según las instrucciones que se incluyen en el manual del dueño.
- Si la Cultivadora Craftsman se usa para fines de arriendo, esta garantía se aplica solamente por treinta (30) días a partir de la fecha de compra.

El Servicio de Garantía esta disponible al devolver la cultivadora Craftsman al centro/ departamento de servicio Sears más cercano en los Estados Unidos. Esta Garantía se aplica solamente mientras el producto este en uso en los Estados Unidos.

Esta Garantía le otorga derechos legales específicos, y puede que también tenga otros derechos que varían de estado a estado.

SEARS, ROEBUCK AND CO., D/817WA, HOFFMAN ESTATES, IL 60179 U.S.A.

REGLAS DE SEGURIDAD

IMPORTANTE: Esta Maquina cortadora es capaz de amputar las manos y los pies y de lanzar objetos. si no se observan las instrucciones de seguridad siguientes se pueden producir lesiones graves o la muerte.

ENTRENAMIENTO

- Lea el Manual del Dueño cuidadosamente. Familiarícese completamente con los controles y con el uso adecuado del equipo. Sepa cómo parar la unidad y desenganchar los controles rápidamente.
- Nunca permita que los niños operen el equipo. Nunca permita que los adultos operen el equipo sin los conocimientos adecuados.
- Mantenga el área de operación despejada de personas, especialmente niños pequeños y animales domésticos.

PREPARACIÓN

- Inspeccione cuidadosamente el área en donde se va usar el equipo y remueva los objetos extraños.
- Desenganche todos los embragues y cambie a neutro antes de hacer arrancar el motor.
- No opere el equipo sin usar ropa exterior adecuada. Use zapatos que mejoren el equilibrio en superficies resbalosas.

- Maneje el combustible con cuidado pues es muy inflamable.
- Use un envase de combustible aprobado.
- Nunca añada combustible a un motor en funcionamiento o caliente.
- Llene el estanque de combustible afuera con mucho cuidado. Nunca llene el estanque de combustible en un recinto cerrado.
- Vuelva a colocar la tapa del depósito de gasolina en forma segura y limpie el combustible derramado antes de volver a arrancar.
- Use cordones de extensión y receptáculos, según las especificaciones del fabricante, para todas las unidades con motores de impulsión o con motores de arranque eléctrico.
- Nunca trate de hacer ningún ajuste mientras que el motor esté funcionando (excepto en los casos específicamente recomendados por el fabricante).

REGLAS DE SEGURIDAD

OPERACIÓN

- No ponga ni las manos ni los pies cerca o debajo de las piezas rotatorias.
- Tenga mucho cuidado cuando opere o cruce entradas para automóviles de ripio, senderos o caminos. Esté alerta en lo que se refiere a los peligros escondidos o al tráfico. No lleve pasajeros.
- Después de pegarle a un objeto extraño, pare el motor, remueva el alambre de la bujía, inspeccione la cultivadora cuidadosamente, para verificar si hay daños, y repare el daño antes de volver a arrancar y operar la cultivadora.
- Tenga cuidado para evitar resbalarse o caerse.
- Si la unidad empieza a vibrar anormalmente, pare el motor y revísela inmediatamente para verificar la causa. La vibración normalmente es un aviso de problemas.
- Pare el motor cuando abandone la posición de operación.
- Tome todas las precauciones posibles cuando deje la máquina desatendida. Desenganche los brazos, cambie a neutro y pare el motor.
- Antes de limpiar, reparar e inspeccionar, apague el motor y asegúrese que todas las partes en movimiento se han detenido. Desconecte el alambre de la bujía, y manténgalo alejado de ésta para evitar el arranque por accidente. Desconecte el cordón en los motores eléctricos.
- No haga funcionar el motor en recintos cerrados; los gases de escape son peligrosos.
- Nunca opere la cultivadora sin las protecciones, y las planchas adecuadas y sin los demás dispositivos de seguridad en su lugar.
- Mantenga a los niños y a los animales domésticos alejados.
- No sobrecargue la capacidad de la máquina, tratando de cultivar a mucha profundidad, muy rápido.
- Nunca opere la máquina a altas velocidades en superficies resbalosas. Mire hacia atrás y tenga cuidado cuando retroceda.
- Nunca permita la presencia de espectadores cerca de la unidad.

- Use solamente accesorios y aditamentos para la cultivadora aprobados por el fabricante.
- Nunca opere la cultivadora sin buena visibilidad o luz.
- Tenga cuidado al cultivar en terreno duro. Los brazos pueden quedarse agarrados en el suelo e impulsar a la cultivadora hacia adelante. Si esto sucede, suelte los mangos y no restrinja la máquina.

MANTENIMIENTO Y ALMACENAMIENTO

- Mantenga los accesorios y aditamentos de la máquina en buenas condiciones para el funcionamiento.
- Revise las clavijas de seguro, los pernos de montaje del motor y otros pernos, a intervalos frecuentes, para verificar si están apretados en forma segura y asegurarse que el equipo esté en buenas condiciones de funcionamiento.
- Nunca guarde la máquina con combustible en el estanque de combustible dentro de un edificio en donde hay fuentes de ignición presentes, tales como calentadores de agua o del ambiente, secadoras de ropa u otros artefactos parecidos. Permita que se enfríe el motor antes de guardarlo en algún lugar cerrado.
- Siempre refiérase a las instrucciones en la guía del operador para ver los detalles de importancia si la cultivadora va a ser guardada por un período de tiempo largo.

⚠ Busque este símbolo que señala las precauciones de seguridad de importancia. Quiere decir – **¡¡¡ATENCIÓN!!! ¡¡¡ESTE ALERTO!!! SU SEGURIDAD ESTA COMPROMETIDA.**

⚠PRECAUCIÓN: Siempre desconecte el alambre de la bujía y póngalo donde no pueda entrar en contacto con la bujía, para evitar el arranque por accidente, durante la preparación, el transporte, el ajuste o cuando se hacen reparaciones.

⚠ADVERTENCIA: El tubo de escape del motor, algunos de sus constituyentes y algunos componentes del vehículo contienen o desprenden productos químicos conocidos en el Estado de California como causa de cáncer y defectos al nacimiento u otros daños reproductivos.

ESPECIFICACIONES DEL PRODUCTO

Capacidad de Gasolina:	3 Cuartos Sin plomo, Regular
Aceite (API-SF-SJ): (Capacidad: 20 oz.)	SAE 30 (Sobre 32°F) SAE 5W-30 (Debajo 32°F)
Bujía : (Abertura:0,030")	Champion RC12YC

FELICITACIONES por la compra de su Cultivadora Sears. Ha sido diseñada, planificada y fabricada para darle la mejor confiabilidad y el mejor rendimiento posible. En el caso de que se encuentre con cualquier problema que no pueda solucionar fácilmente, haga el favor de ponerse en contacto con su centro de servicio cualificado. Sears cuenta con técnicos bien capacitados y competentes con herramientas adecuadas para darle servicio o para reparar su unidad. Haga el favor de leer y de guardar este manual. Estas instrucciones le permitirán montar y mantener su cultivadora en forma adecuada. Siempre observe las "REGLAS DE SEGURIDAD."

RESPONSABILIDADES DEL CLIENTE

- Lea y observe las reglas de seguridad.
- Siga un programa regular de mantenimiento, cuidado y uso de su cultivadora.
- Siga las instrucciones descritas en las secciones "Mantenimiento" y "Almacenamiento" de este Manual del Dueño.


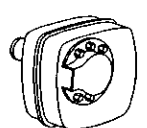


ADVERTENCIA: Esta unidad viene equipada con un motor de combustión interno y no se debe usar sobre, o cerca, de un terreno no desarrollado cubierto de bosques, de arbustos o de césped, a menos que el sistema de escape del motor venga equipado con un amortiguador de chispas que cumpla con las leyes locales o estatales (si existen). Si se usa un amortiguador de chispas, el operador debe mantenerlo en condiciones de trabajo eficientes.

En el estado de California, la ley exige lo anterior (Sección 4442 del "California Public Resources Code" [Decreto de Recursos Públicos de California]). Otros estados pueden contar con otras leyes parecidas. Las leyes federales se aplican en las tierras federales. Su centro de Servicio más cercano tiene disponible amortiguadores de chispas para el silenciador. (Vea la sección de Partes de Repuesto en el manual Inglés del dueño.)





ACCESORIOS Y ADITAMENTOS

Estos accesorios estaban disponibles cuando se compró la cultivadora. También están disponibles en la mayoría de las tiendas de Sears y en los centros de servicio. La mayoría de las tiendas Sears también pueden mandar a pedir partes de repuesto para usted, si les proporciona el número del modelo de su cultivadora.

MOTOR

BUJÍA	SILENCIADOR	FILTRO DE AIRE	LATA DE GASOLINA	ACEITE DEL MOTOR	ESTABILIZADOR
					

MANTENIMIENTO DE LA CULTIVADORA

CORREA	BRAZOS	CLAVIJA DE SEGURO	ABRAZADERA DE HORQUILLA
			

MONTAJE

Su cultivadora nueva ha sido montada en la fábrica, con la excepción de aquellas partes que se dejaron sin montar por razones de envío. Para asegurarse que la cultivadora operará en forma segura y adecuada, todas las partes y los artículos de ferretería que monte tienen que estar apretados en forma segura. Use las herramientas correctas, según sea necesario, para asegurarse de que queden apretadas en forma segura.

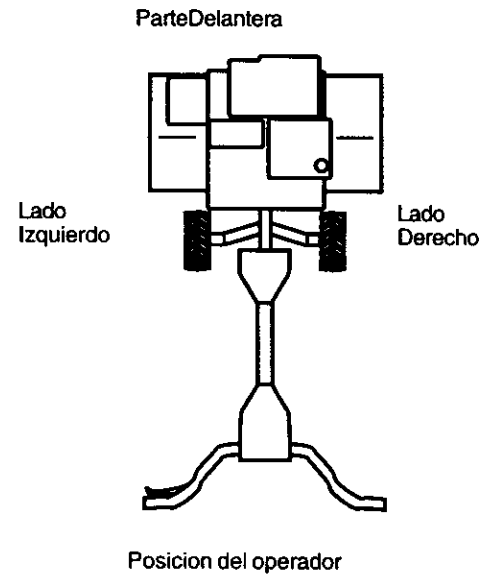
HERRAMIENTAS NECESARIAS PARA EL MONTAJE

Se le facilitará el montaje si cuenta con un juego de llaves de tubo. Se han enumerado los tamaños estándar de las llaves.

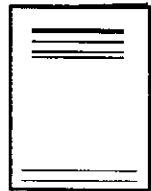
- (1) Cuchillo para todo uso
- (2) Llave de 1/2"

POSICIÓN DEL OPERADOR

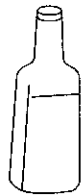
Cuando en este manual se mencionan los términos "lado derecho" o "lado izquierdo" se refiere a cuando usted se encuentra en la posición de operación (parado/a detrás de los mangos de la cultivadora).



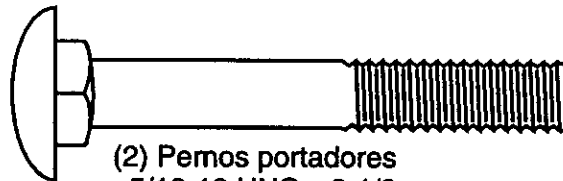
CONTENIDO DEL CONJUNTO DE FERRETERÍA



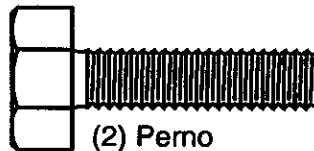
(1) Manual



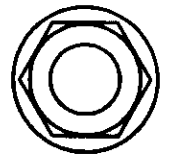
(1) Aceite del motor



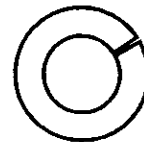
(2) Pernos portadores
5/16-18 UNC x 2-1/2



(2) Perno hexagonales
5/16-18 x 1-1/4



(2) Tuercas de seguridad de brida
5/16-18 UNC



(2) Arandela de seguridad 5/16



(2) Tuerca hexagonales
5/16-18

DESEMPAQUE DE LA CAJA DE CARTÓN E INSTALACIÓN DEL MANGO

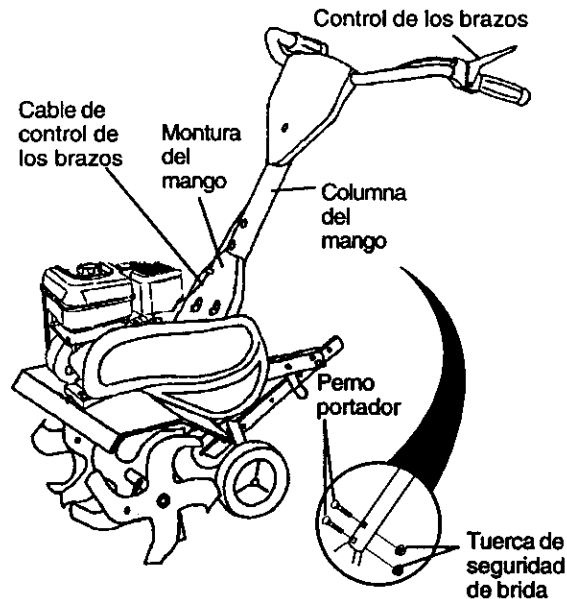
⚠PRECAUCIÓN: Tenga cuidado con las grapas expuestas cuando maneje o deseche los materiales de la caja de cartón.

IMPORTANTE: Cuando desempaque y monte la cultivadora, tenga cuidado de no estirar o enredar el (los) cable(s).

1. Corte las abrazaderas de cable que aseguran la columna del mango.
2. Inserte el cable según lo mostrado y resbale la columna del mango sobre la montura del mango.
3. Remueva el empaque de la caja de cartón.
4. Asegure la columna del mango usando dos (2) pernos de acarreo y dos (2) contratuerzas con aletas. Apriete con seguridad.
5. Corte la caja de cartón.
6. Haga pasar el cable de control de los brazos a través de la abrazadera los cables de plástico en la montura del mango.

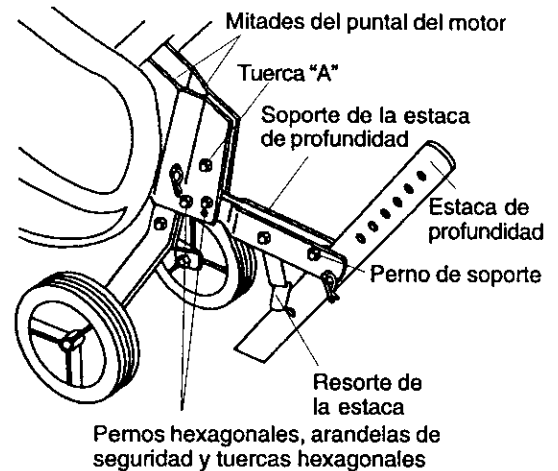
AVISO: Los cables no deben tocar el silenciador.

7. Corte las ligaduras del cable que aseguran la cultivadora a la corredera. Remueva la cultivadora de la corredera tirándola hacia atrás.
8. Quitar el tornillo de fijación del pilote de profundidad para girar y remover el tornillo.



INSTALACIÓN DEL CONJUNTO DE LA ESTACA DE PROFUNDIDAD

1. Afloje la tuercas "A".
2. Inserte el soporte de la estaca entre las mitades del puntal del motor, con el resorte de la estaca hacia abajo.
3. Aparen el soporte de la estaca en los puntales del motor con los pernos hexagonales, las arandelas de seguridad y las tuercas. Apriételos en forma segura. También apriete las tuercas "A".
4. La estaca de profundidad se tiene que mover libremente. Si no lo hace, suelte el perno de soporte.



ALTURA DEL MANGO

- Se puede ajustar la altura del mango en la mejor forma que le acomode al operador. (Vea "ALTURA DEL MANGO" en la sección de Servicio y Ajustes de este manual.)

ANCHO DEL LABRADO

- Se puede ajustar el ancho del labrado para manejar mejor sus condiciones de labración (vea "ARREGLO DE LOS BRAZOS" en la sección de Servicio y Ajustes de este manual).

OPERACIÓN DE LOS BRAZOS

- Revise la operación de los brazos antes del primer uso (vea "REVISIÓN DE LA OPERACIÓN DE LOS BRAZOS" en la sección de Servicio y Ajustes de este manual).

OPERACIÓN

CONOZCA SU CULTIVADORA

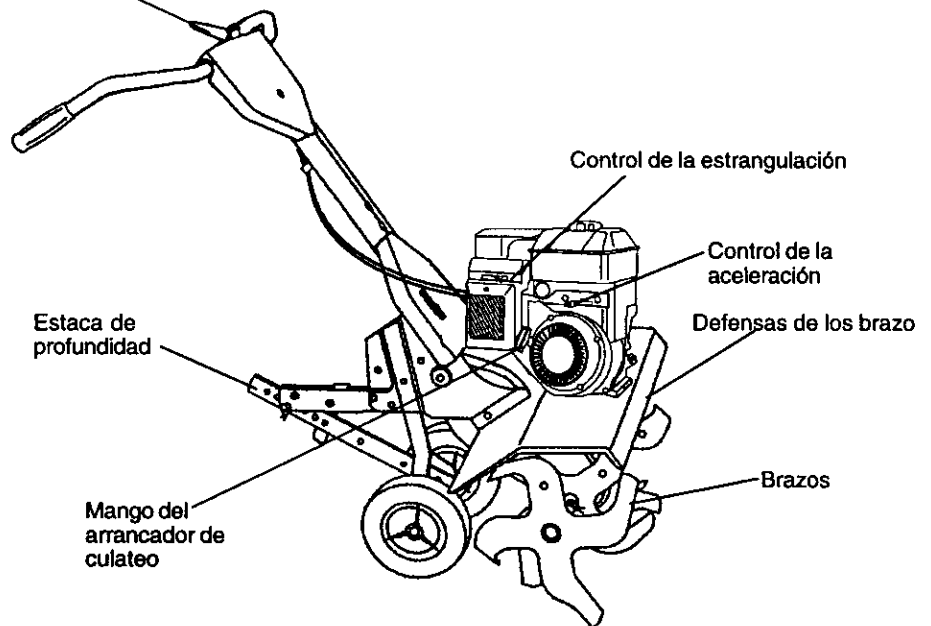
LEA ESTE MANUAL DEL DUEÑO Y LAS REGLAS DE SEGURIDAD ANTES DE OPERAR SU CULTIVADORA

Compare las ilustraciones con su cultivadora para familiarizarse con la ubicación de los diversos controles y ajustes. Guarde este manual para referencia en el futuro.

Estos símbolos pueden aparecer sobre su cultivadora en la literatura proporcionada con el producto. Aprenda y comprenda sus significados.



Control de los brazos
marcha hacia adelante



Las cultivadoras de Sears cumplen con los estándares de seguridad del American National Standard Institute (Instituto Nacional de Estándares Americano).

CONTROL DE LOS BRAZOS MARCHA HACIA ADELANTE – Engancha los brazos en la dirección de marcha hacia adelante.
CONTROL DE LA ESTRANGULACIÓN – Uselo cuando se hace arrancar un motor frío.
CONTROL DE LA ACELERACIÓN – Controla la velocidad del motor.

ESTACA DE PROFUNDIDAD – Controla la velocidad de la marcha hacia adelante y la profundidad a la cual excavará la cultivadora.
MANGO DEL ARRANCADOR DE CULATEO – Se usa para hacer arrancar el motor.



La operación de cualquier cultivadora puede hacer que salten objetos extraños dentro de sus ojos, lo que puede producir daños graves en éstos. Siempre use anteojos de seguridad o protecciones para los ojos antes de hacer arrancar su cultivadora o mientras esté labrando con ella. Recomendamos el uso de la máscara de seguridad de visión amplia, para uso sobre los espejuelos o anteojos de seguridad estándar.

COMO USAR SU CULTIVADORA

Sepa cómo operar todos los controles antes de agregar combustible y aceite o antes de tratar de hacer arrancar el motor.

PARADA

BRAZOS

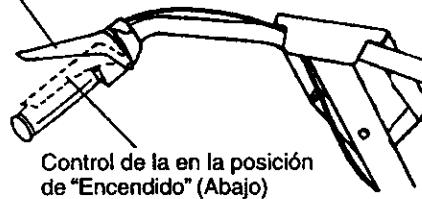
- Suelte el control de los brazos para parar el movimiento.

MOTOR

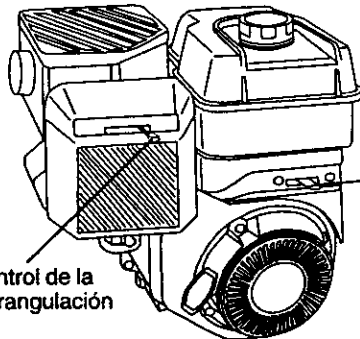
- Mueva el control de la aceleración a la posición de "PARADA" (STOP).

AVISO: Nunca use la estrangulación para parar el motor.

Control de los brazos en la posición de "Apagado" (Arriba)



Control de la en la posición de "Encendido" (Abajo)



Control de la estrangulación

Control de la aceleración

OPERACIÓN DE LOS BRAZOS

- Apriete el control de los brazos contra el mango.

LABRADO

La velocidad y la profundidad del labrado son reguladas por medio de la posición de la estaca de profundidad y por la altura de la rueda.

La estaca de profundidad siempre tiene que estar por debajo de las ruedas para excavar. Sirve de freno para retardar el movimiento de marcha hacia adelante de la cultivadora, para permitir que los brazos penetren en el suelo. También, mientras más se baje la estaca de profundidad dentro del suelo, más profunda será la excavación realizada con los brazos.

ESTACA DE PROFUNDIDAD

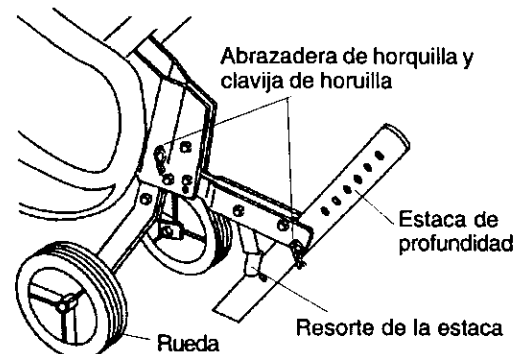
Ajuste la estaca de profundidad removiendo la abrazadera de horquilla y la clavija de horquilla. Cambie la estaca de profundidad a la posición deseada. Vuelva a colocar la clavija de horquilla y la abrazadera de horquilla.

- Para el labrado normal, ajuste la estaca de profundidad en el segundo o tercer agujero a partir de la parte superior.

RUEDAS

Ajuste las ruedas removiendo la abrazadera de horquilla y la clavija de horquilla. Cambie la posición de la rueda. Vuelva a colocar la abrazadera de horquilla y la clavija de horquilla.

- Para el labrado normal, ajuste las ruedas en el segundo o tercer agujero a partir de la parte superior.



PARA EL TRANSPORTE

⚠PRECAUCIÓN: Antes de levantarla o transportarla, permita que el motor de la cultivadora y el silenciador se enfríen. Desconecte el alambre de la bujía. Drene la gasolina del estanque de combustible.

EN EL JARDÍN

1. Incline la estaca de profundidad hacia adelante, hasta que quede sujeta con el resorte de la estaca.
2. Empuje los mangos de la cultivadora hacia abajo, levantando los brazos por encima del suelo.
3. Tire o empuje la cultivadora a la ubicación deseada.

EN LA CIUDAD

1. Desconecte el alambre de la bujía.
2. Drene el estanque de combustible.
3. Transpórtela en la posición derecha hacia arriba para evitar la fuga del aceite.

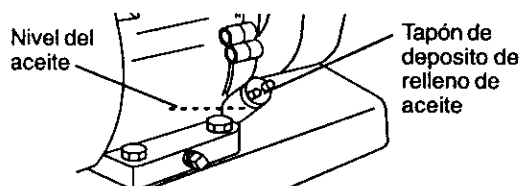
ANTES DE HACER ARRANCAR EL MOTOR

IMPORTANTE: Tenga mucho cuidado de no permitir que entre mugre al motor cuando revise o anada aceite combustible. Use aceite y combustible limpios y guárdelos en envases aprobados, limpios y con tapa. Use embudos para relleno limpios.

RELLENO DEL ACEITE DEL MOTOR

1. Remueva la etiqueta del motor.
2. Con el motor nivelado, remueva el tapón del depósito de relleno del aceite del motor.

3. Llene el motor con aceite hasta el punto de derramarse. Para verificar la capacidad aproximada vea "ESPECIFICACIONES DEL PRODUCTO" de este manual.
 4. Inclíne la cultivadora hacia atrás en sus ruedas y luego vuelva a nivelarla.
 5. Con el motor nivelado, vuelva a llenarlo hasta el punto de derramarse, si es necesario. Vuelva a colocar el tapón del depósito de relleno de aceite.
- Para la operación en clima frío, debe cambiarse el aceite para facilitar el arranque (vea la "TABLA DE VISCOSIDAD DEL ACEITE" en la sección de Mantenimiento en este manual).
 - Para cambiar el aceite del motor, vea la sección de Mantenimiento en este manual.



AGREGUE GASOLINA

- Llene el estanque de combustible. Use gasolina regular, sin plomo, nueva y limpia. (El uso de gasolina con plomo aumentará los depósitos de óxido de plomo y carbono y se reducirá la duración de la válvula.)

IMPORTANTE: Cuando se opere en temperaturas por debajo de 32°F (0°C) use gasolina de calidad de invierno, limpia y nueva para ayudar a asegurar un buen arranque en clima frío.

PRECAUCIÓN: Los combustibles mezclados con alcohol (conocidos como gasohol, o el uso de etanol o metanol) pueden atraer la humedad, la que conduce a la separación y formación de ácidos durante el almacenamiento. La gasolina ácida puede dañar el sistema del combustible de un motor durante el almacenamiento. **Para evitar problemas con el motor, se debe vaciar el sistema de combustible antes de guardarlo por un período de 30 días o más.** Vacíe el estanque de combustible, haga arrancar el motor y hágalo funcionar hasta que las líneas del combustible y el carburador queden vacías. **La próxima temporada use combustible nuevo.** Vea la sección de Almacenamiento para más información. Nunca use productos de limpieza para el motor o para el carburador en el estanque del combustible pues se pueden producir daños permanentes.

PRECAUCIÓN: Llene el estanque de combustible hasta dentro de 1/2 pulgada de la parte superior para evitar los derrames y para permitir que se expanda el combustible. Si por casualidad se derrama la gasolina, aleje la máquina del área del derrame. Evite crear cualquier fuente de ignición hasta que se hayan desaparecido los gases de la gasolina. No lo llene demasiado. Limpie el aceite o el combustible derramado. No guarde, derrame o use la gasolina cerca de una llama expuesta.

PARA HACER ARRANCAR EL MOTOR

PRECAUCIÓN: Mantenga la barra de control de la impulsión en la posición "DESENGANCHADO" cuando haga arrancar el motor.

Cuando intente arrancar el motor por la primera vez o si al motor se le ha acabado la gasolina, será necesario que estire varias veces del mango arrancador de culateo para desplazar la gasolina del estanque al motor.

1. Asegúrese que el alambre de la bujía esté conectado en forma adecuada.
2. Ponga el control de la aceleración en la posición de "RÁPIDO" (FAST).
3. Con el motor completamente en la posición de estrangulación "CHOKE". Agarre el mango del arrancador de culateo con una mano y el mango de la cultivadora con la otra mano. Tire el cordón hacia afuera, lentamente, hasta que el motor llegue al comienzo del ciclo de la compresión (el cordón se sentirá un poco más duro en este momento).
4. Tire el mango del arrancador de culateo rápidamente. No permita que el mango del arrancador se devuelva abruptamente en contra del arrancador. Vuelva a repetir en la posición de semiestrangulación si lo es necesario.

AVISO: Si los fuegos del motor se encienden pero no arranca, mueva el control de la estrangulación a la posición de semiestrangulación. Tire del mando arrancador de culateo hasta que el motor arranque.

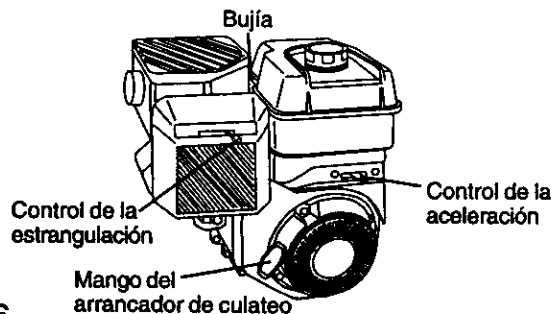
5. Cuando arranque el motor, lentamente, mueva el control de la estrangulación a la posición de "FUNCIONAMIENTO" (RUN) a medida que se calienta el motor.

AVISO: Un motor caliente requiere menos estrangulación para empezar.

6. Mueva el control de la aceleración a la posición de funcionamiento deseada.
7. Permita que se caliente el motor por unos cuantos minutos antes de enganchar los brazos.

AVISO: A mucha altura (sobre 3000 pies) o en climas fríos (debajo de 32° F [0° C]) puede que la mezcla del combustible del carburador necesite ajuste, para obtener el mejor resultado del motor. Vea "PARA AJUSTAR EL CARBURADOR" en la sección de Servicio y Ajustes de este manual.

AVISO: Si el motor no arranca, vea la guía de identificación de problemas.



RODAJE DE SU CULTIVADORA

Use su(s) correa(s), las poleas y el control de los brazos antes de empezar a labrar.

- Haga arrancar el motor, saque los brazos fuera del suelo presionando los mangos hacia abajo y enganche el control de los brazos para hacer arrancar la rotación de los brazos. Permita que los brazos roten por cinco minutos.
- Revise la operación de los brazos y ajústelos, si es necesario. Vea "REVISIÓN DE LA OPERACIÓN DE LOS BRAZOS" en la sección de Servicio y Ajustes de este manual.

CONSEJOS PARA LABRAR

⚠ PRECAUCIÓN: Antes de acostumbrarse a manejar su cultivadora, empiece el uso de ésta en el terreno con la aceleración en la posición de "lento" (SLOW).

Para ayudarle a la cultivadora a moverse hacia adelante, levante los mangos un poco (levantando en esta forma la estaca de profundidad fuera del suelo). Para hacer que la cultivadora ande más lento presione los mangos hacia abajo.

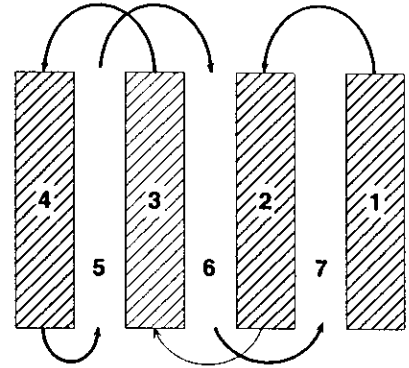
Si está forzándola o si la cultivadora está vibrando, quiere decir que las ruedas y la estaca de profundidad no están ajustadas en forma adecuada para el terreno que se está labrando. El ajuste adecuado de las ruedas y de la estaca de profundidad se logra al probarlas en acción y depende de las condiciones del suelo. (Mientras más duro o más mojado esté el suelo, menor es la velocidad necesaria del motor y de los brazos. La cultivadora va a correr y saltar sobre el terreno si se usa en estas malas condiciones a una velocidad rápida.)

Si la cultivadora está bien ajustada, excavará con poco esfuerzo por parte del operador.

- El labrar quiere decir el excavar, dar vuelta y romper el suelo duro antes de plantar. El suelo suelto y blando permite el desarrollo de las raíces. La mejor profundidad de labrar es 4" a 6". La cultivadora también puede despejar el suelo de la mala hierba indeseables. La descomposición de esta mala hierba enriquece el suelo. Dependiendo del clima (lluvia o viento), puede ser recomendable labrar el suelo a fines de la temporada de cultivo para acondicionar el suelo aún más.
- Las condiciones del suelo son importantes si se desea obtener un labrado adecuado. Los brazos no van a penetrar fácilmente en el suelo seco y duro, lo que puede contribuir a un rebote excesivo y a dificultades en el manejo de su cultivadora. El terreno duro tiene que ser humedecido antes de labrarlo, sin embargo, si el suelo está demasiado mojado se convertirá en bolas o se amontonará durante el labrado. Espere a que el suelo esté menos mojado para poder obtener los mejores resultados. Cuando se hagan labrados en el otoño, remueva las

vides y el césped alto para evitar que se envuelvan alrededor del eje de los brazos y retarden su operación para el labrado.

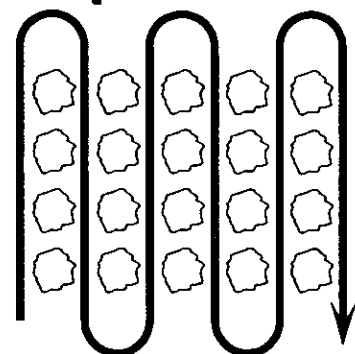
- Va a descubrir que el labrado se facilita si deja una fila sin labrar entre las pasadas. Entonces vuelva de nuevo entre las filas de cultivo. Hay dos razones para hacer esto. Primero, las vueltas amplias se pueden realizar con más facilidad que las cerradas. Segundo, la cultivadora no estará empujándose a sí misma y a usted hacia la próxima hilera.
- Ajuste la estaca de profundidad y la altura de la rueda para labrado poco profundo cuando esté trabajando en suelo o terreno herboso demasiado duro. Luego atraviese los primeros cortes a la profundidad normal.



CULTIVO

El cultivo quiere decir la destrucción de la mala hierba entre las filas para evitar que éstas le roben la nutrición y la humedad a las plantas. Al mismo tiempo, si se rompe la capa superior de la costra del suelo, éste puede retener la humedad. La mejor profundidad de excavación es de 1" a 3".

- Probablemente no va a necesitar usar la estaca de profundidad. Empiece por inclinar la estaca de profundidad hacia adelante, hasta que quede sujeta en el resorte de la estaca.
- Cultive hacia arriba y hacia abajo las filas a una velocidad que le permita a los brazos sacar las raíces de la mala hierba y dejar el suelo en condiciones ásperas, para impedir el desarrollo de la mala hierba y el césped.



MANTENIMIENTO

PROGRAMA DE MANTENIMIENTO	FECHAS DE SERVICIO			
	ANTES DE CADA USO	CADA 5 HORAS	CADA 25 HORAS	CADA 50 HORAS
LLENE LAS FECHAS DE MEDIDA QUE COMPLETE SU SERVICIO REGULAR				
Revisar el nivel del aceite del motor	✓	✓		
Cambiar el aceite del motor			✓ _{1,2}	
Aceitar los puntos de pivote		✓		
Inspeccionar el supresor del silenciador			✓	
Inspeccionar la rejilla de aire	✓			
Limpiar/cambiar el cartucho del filtro de aire			✓ ₂	
Limpiar las aletas del cilindro del motor			✓	
Cambiar la bujía			✓	

1- Cambiar más menudo cuando se opere bajo carga pesada o en ambientes con altas temperaturas.
2- Dar servicio más a menudo cuando se opere en condiciones sucias o polvorosas

RECOMENDACIONES GENERALES

La garantía de esta cultivadora no cubre los artículos que han estado sujetos al abuso o a la negligencia del operador. Para recibir todo el valor de la garantía, el operador tiene que mantener la cultivadora según las instrucciones descritas en este manual. Hay algunos ajustes que se tienen que hacer en forma periódica para poder mantener su cultivadora adecuadamente. Todos los ajustes en la sección de Servicio y Ajustes de este manual tienen que ser revisados por lo menos una vez por cada temporada.

• Una vez al año, cambie la bujía, limpie o cambie el filtro de aire y revise si los brazos y las correas están desgastadas. Una bujía nueva y un filtro de aire limpio aseguran una mezcla de aire-combustible adecuada y le ayuda a que su motor funcione mejor y que dure más.

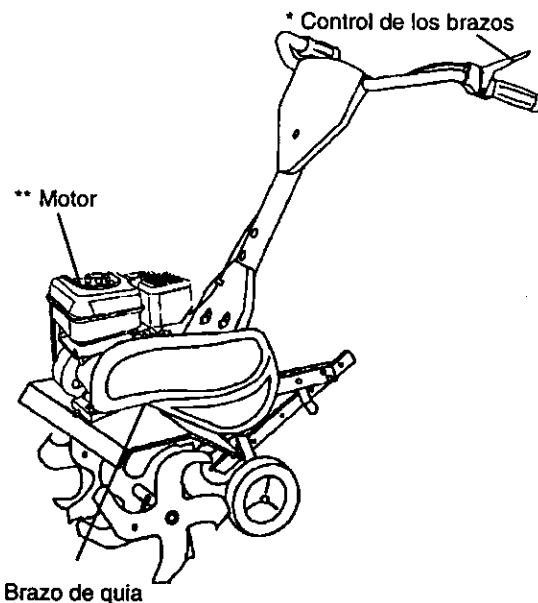
ANTES DE CADA USO

1. Revise el nivel del aceite del motor.
2. Revise la operación de los brazos.
3. Revise si hay sujetadores sueltos.

LUBRICACIÓN

Mantenga la unidad bien lubricada (vea la "TABLA DE LUBRICACIÓN").

TABLA DE LUBRICACIÓN



* Aceite de motor SAE 30 o 10W-30
** Refiérase a la sección del motor, "MANTENIMIENTO"

PRECAUCIÓN: Desconecte el alambre de la bujía antes de dar mantenimiento (excepto por el ajuste del carburador) para evitar que el motor arranque por accidente.

¡Evite los incendios! Mantenga el motor sin césped, hojas, aceite o combustible derramado.

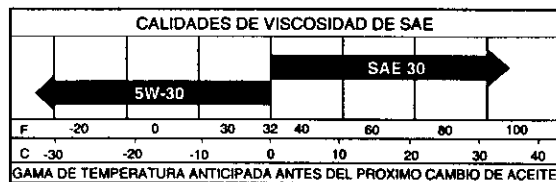
Remueva el combustible del estanque antes de inclinar la unidad para darle mantenimiento. Limpie el césped, la mugre y la basura del área del silenciador.

No toque el silenciador caliente o las aletas del cilindro, pues el contacto puede producir quemaduras.

MOTOR

LUBRICACIÓN

Use solamente aceite de detergente de alta calidad clasificado con la clasificación SF-SJ. de servicio API. Seleccione la calidad de viscosidad SAE según su temperatura de operación esperada.



AVISO: A pesar de que los aceites de multiviscosidad (5W-30, 10W-30, etc.) mejoran el arranque en clima frío, estos aceites de multiviscosidad van a aumentar el consumo de aceite cuando se usan en temperaturas sobre 32°F (0°C).

Revise el nivel del aceite del motor más a menudo, para evitar un posible daño en el motor, debido a que no tiene suficiente aceite. Cambie el aceite después de 50 horas de operación o por lo menos una vez al año si el tiller se utiliza menos 50 horas el año.

Revise el nivel del aceite del cárter antes de hacer arrancar el motor y después de cada cinco (5) horas de uso continuado. Agregue aceite de motor SAE 30 o su equivalente. Apriete el tapón del depósito de relleno del aceite en forma segura cada vez que revise el nivel del aceite.

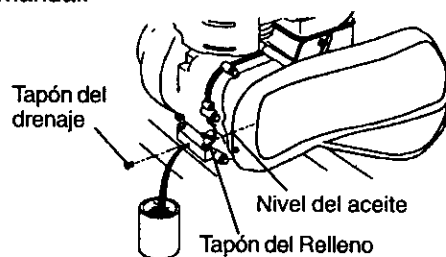
PARA CAMBIAR EL ACEITE DEL MOTOR

Determine la gama de temperatura esperada antes del cambio del aceite. Todos los aceites deben cumplir con los requisitos de la clasificación de servicio API SF-SJ.

- Asegúrese que la cultivadora esté en una superficie nivelada.
- El aceite drenará más fácilmente cuando está caliente.
- Utilice un embudo para impedir el derrame de aceite sobre la cultivadora, y recoja el aceite en un envase adecuado.

1. Remueva el tapón del drenaje.
2. Incline la cultivadora hacia adelante para drenar el aceite.

3. Después de que el aceite se haya drenado completamente, vuelva a colocar el tapón del drenaje del aceite y apriételo en forma segura.
4. Remueva el tapón del depósito de relleno de aceite. Tenga cuidado de no permitir que la mugre entre al motor.
5. Vuelva a llenar el motor con aceite. Vea "RELLENO DEL MOTOR CON ACEITE" en la sección de Operación de este manual.



FILTRO DE AIRE

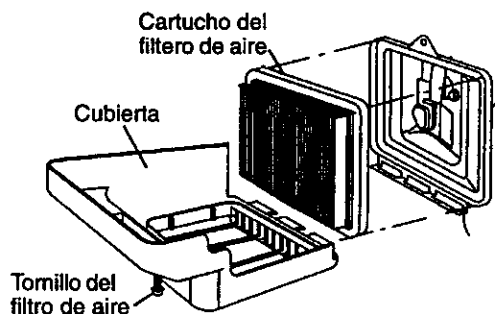
Dele servicio al cartucho del filtro de aire cada 50 horas y más a menudo si el motor se usa en condiciones muy polvorosas.

1. Suelte los tornillos del filtro de aire.
2. Remueva la cubierta del filtro de aire.
3. Cuidadosamente, remueva el cartucho del filtro de aire. Tenga cuidado. No permita que mugre o basura caigan dentro del carburador.
4. Límpielo golpeándolo suavemente en una superficie plana.

AVISO: Si el cartucho está muy sucio o dañado, reemplácelo.

5. Limpie y vuelva a colocar la cubierta. Apriete los tornillos en forma segura.

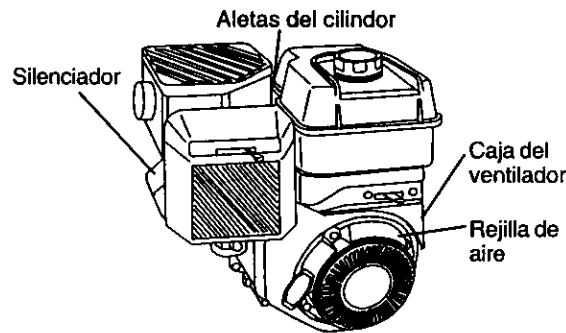
PRECAUCIÓN: Los solventes de petróleo, tales como el kerosene, no deben ser utilizados para limpiar el cartucho. Pueden ocasionar el deterioro de éste. No aceite el cartucho. No use aire a presión para limpiarlo o secarlo. Cartucho



SISTEMA DE ENFRIAMIENTO

Su motor se enfría con aire. Para obtener el rendimiento del motor adecuado y larga duración mantenga su motor limpio.

- Limpie la rejilla de aire frecuentemente usando un cepillo de cerdas duras.
- Remueva la caja del ventilador y límpiela si es necesario.
- Mantenga las aletas del cilindro sin mugre o paja.



SILENCIADOR

No opere la cultivadora sin el silenciador. No manipulee el sistema de escape. Los silenciadores o los amortiguadores de chispas dañados pueden crear un peligro de incendio. Inspecciónelos periódicamente y cámbielos si es necesario. Si su motor viene equipado con un conjunto de rejilla para el amortiguador de chispas, remuévalo cada 50 horas para limpiarlo e inspeccionarlo. Cámbielo si es necesario.

BUJÍA

Cambie las bujías al comienzo de cada temporada de cultivo, o después de 50 horas de uso, lo que suceda primero. El tipo de bujía y la abertura aparece en las "ESPECIFICACIONES DEL PRODUCTO" en la página 21 de este manual.

TRANSMISIÓN

Su transmisión está sellada y no va a necesitar lubricación.

LIMPIEZA

No limpie su cultivadora cuando el motor y la transmisión estén calientes. No recomendamos el uso de agua presurizada (manguera del jardín, etc.) para limpiar su unidad a menos que el área de la junta alrededor de la transmisión y del silenciador del motor, del filtro de aire y del carburador se cubran para protegerlos del agua. El agua en la transmisión y/o el motor acortará la vida de su cultivadora.

- Limpie todo material extraño del motor, las ruedas, el pulido, etc.
- Mantenga las superficies pulidas y las ruedas sin derrames de gasolina, aceite, etc.
- Proteja las superficies pintadas con cera tipo automotriz.

SERVICIO Y AJUSTES

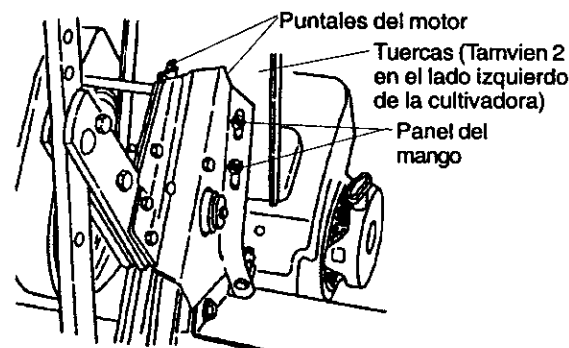
PRECAUCIÓN: Desconecte el alambre de la bujía y póngalo en donde no pueda entrar en contacto con la bujía.

CULTIVADORA

PARA AJUSTAR LA ALTURA DEL MANGO

El montaje en la fábrica se ha realizado usando la altura más baja del mango. Seleccione la altura del mango que mejor se acomode a sus condiciones de labración. La altura del mango será diferente cuando la cultivadora excave el suelo.

1. Si se desea una mayor altura para el mango, suelte las cuatro tuercas que aseguran el panel del mango en los puntales del motor.
2. Deslice el panel del mango a la ubicación deseada.
3. Apriete las cuatro tuercas en forma segura.



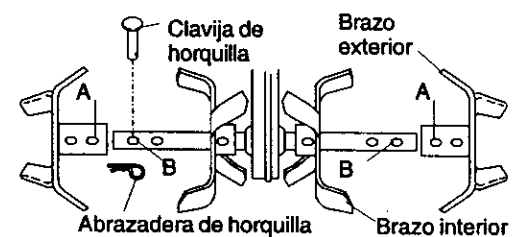
ARREGLO DE LOS BRAZOS

Sus brazos exteriores se pueden montar de varias formas distintas para acomodar sus necesidades de labración o cultivación.

PRECAUCIÓN: Los brazos son afilados. Use guantes u otra protección cuando maneje los brazos.

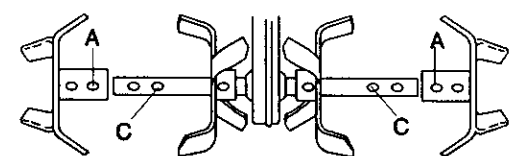
LABRADO NORMAL – PASO DE 24"

- Monte los agujeros "A" en los cubos de los brazos con los agujeros "B" en el eje de los brazos.



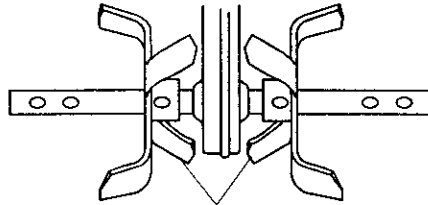
LABRADO DE ANCHO MEDIANO – PASO DE 22"

- Monte los agujeros "A" en los cubos de los brazos con los agujeros "C" en el eje de los brazos.



CULTIVO/LABRADO ESTRECHO – PASO DE 12-3/4"

- Remueva los brazos exteriores.



Brazos interiores solamente

AVISO: Cuando vuelva a montar los brazos exteriores, asegúrese que el conjunto del brazo derecho (marcado con "R") y el conjunto del brazo izquierdo (marcado con "L") estén montados en el lado correcto del eje de los brazos.

REVISIÓN DE LA OPERACIÓN DE LOS BRAZOS

PRECAUCIÓN: Desconecte el alambre de la bujía para evitar que arranque mientras se está revisando la operación de los brazos. Para obtener una operación de los brazos adecuada, la palanca de control de los brazos tiene que estar en contra del cuerpo del control y se tiene que remover toda la soltura del alambre interior del cable de control, cuando el control está en la posición de "APAGADO" (OFF) (arriba).

Si la palanca y el cable están sueltos, suelte la abrazadera del cable en el extremo inferior de éste. Tire el cable hacia arriba para remover la soltura, sin extender el resorte en el extremo del cable, y vuelva a apretar la abrazadera del cable.

REVISIÓN FINAL EN LA POSICIÓN DE "APAGADO" (OFF)

1. Con el control de los brazos en la posición de "APAGADO" (OFF) (arriba), empuje hacia abajo el mango para levantar los brazos fuera del suelo.
2. Lentamente, tire el mango del arrancador de culateo mientras se observan los brazos. Los brazos no deben rotar.
3. Si los brazos rotan, el alambre interior del cable de control está demasiado apretado, extendiendo el resorte inferior y está engancho los brazos. Suelte la abrazadera del cable y empuje el cable hacia abajo, sólo lo suficiente como para aliviar la tensión del resorte. Apriete la abrazadera del cable.
4. Vuelva a revisar en la posición de "APAGADO" (OFF) y ajústelo si es necesario.

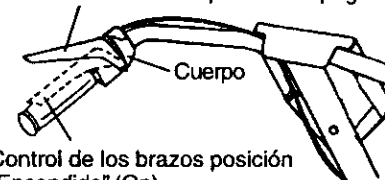
REVISIÓN FINAL EN LA POSICIÓN DE "ENCENDIDO" (ON)

5. Con el control de los brazos en la posición de "ENCENDIDO" (ON) (sujeto abajo en el mango), empuje hacia abajo el mango para levantar los brazos fuera del suelo.

6. Lentamente, tire el mango del arrancador de culateo mientras se observan los brazos. Los brazos deben rotar hacia adelante.
7. Si los brazos no rotan, el alambre interior del cable de control está demasiado suelto. Suelte la abrazadera del cable y empuje el cable hacia arriba para remover la soltura y vuelva a apretar la abrazadera.
8. Vuelva a revisar en la posición de "ENCENDIDO" (ON) y ajústelo si es necesario.

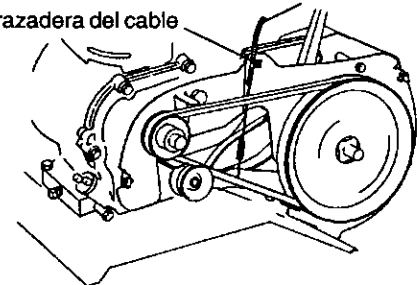
AVISO: Si se necesita ajuste en la posición de "ENCENDIDO" (ON), vuelva a revisar el ajuste de la posición de "APAGADO" (OFF) para asegurarse que los brazos no roten cuando el control está "APAGADO" (OFF) (arriba).

Control de los brazos posición "Apagado" (Off)



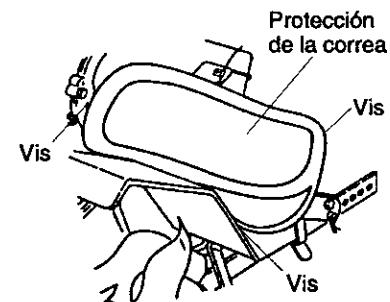
Control de los brazos posición "Encendido" (On)

Cable de control de los brazos
Abrazadera del cable



PARA REMOVER LA PROTECCIÓN DE LA CORREA

1. Remueva los tornillos del lado de la protección de la correa.
2. Tire la protección de la correa hacia afuera alejándola de la unidad.
3. Vuelva a colocar la protección de la correa invirtiendo los pasos del procedimiento anterior. Asegúrese que la ranura en la parte inferior de la protección de la correa esté debajo de la cabeza del perno de la defensa de los brazos y que todas las tuercas estén apretadas en forma segura.



PARA CAMBIAR LA CORREA V

Cambie la correa V si se ha estirado considerablemente o si está partida o si los bordes están desgastados.

1. La protección de la correa tiene que removerse para darle servicio a la correa. Vea "PARA REMOVER LA PROTECCIÓN DE LA CORREA" en esta sección de este manual.

REMOCIÓN DE LA CORREA

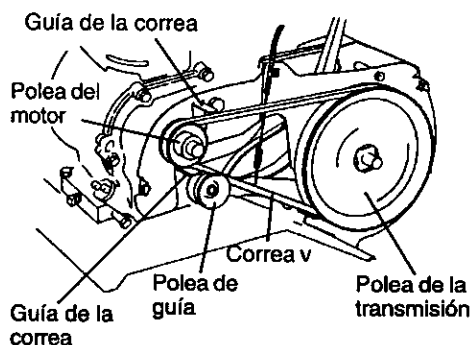
2. Remueva la correa V de la polea de la transmisión primero y luego de la polea del motor.

CAMBIO DE LA CORREA

3. Instale la correa V nueva en la polea del motor primero luego en la polea de la transmisión. Asegúrese que la correa esté ubicada en al ranura interior de ambas poleas, dentro de todas las guías de la correa y que descance en la polea de guía.

REVISIÓN DE LA OPERACIÓN DE LOS BRAZOS

4. Vea "REVISIÓN DE LA OPERACIÓN DE LOS BRAZOS" en esta sección de este manual.
5. Vuelva a colocar la protección de la correa.



MOTOR

El mantenimiento, la reparación, o el reemplazo de cualquier dispositivos o sistemas del control de la emisión, los cuales sean hechos al costo del cliente, pueden ser realizados por cualquier individuo o establecimiento de reparación de motor. Los reparos que caen bajo garantía deben ser realizados por un establecimiento de servicio de reparación de motor autorizado.

PARA AJUSTAR EL CARBURADOR

El carburador tiene un chorro de alta velocidad y ha sido preajustado en la fábrica y no debería necesitar ajustes. Sin embargo, se pueden necesitar ajustes de menor importancia para compensar por las diferencias en el combustible, temperatura, altura o carga. Si el carburador necesita ajustes, pongase en contacto con su centro/ departamento de servicio autorizado más cercano.

IMPORTANTE: Nunca manipule el regulador del motor el que ha sido ajustado en la fabrica para la velocidad del motor adecuada puede ser peligroso hacer funcionar el motor a una velocidad por sobre elajuste de lata velocidad de la fabrica. Si cree que la velocidad alta regulada del motor necesita ajuste, póngase en contacto con su centro de servicio cualificado, el cual cuenta con el equipoa decuado y la experiencia para hacer los ajustes necesarios.

ALMACENAMIENTO

Inmediatamente prepare su cultivadora para el almacenamiento al final de la temporada o si la unidad no se va a usar por 30 días o más.

⚠PRECAUCIÓN: Nunca almacene la cultivadora con gasolina en el estanque dentro de un edificio en donde los gases pueden alcanzar una llama expuesta o una chispa. Permita que el motor se enfríe antes de almacenarlo en cualquier recinto privado.

CULTIVADORA

1. Limpie toda la cultivadora (vea "LIMPIEZA" en la sección de Mantenimiento en este manual).
2. Inspeccione y cambie las correas, si es necesario (vea las instrucciones para el cambio de la correa en la sección de Servicio y Ajustes de este manual).
3. Lubríquela según se muestra en la sección de Mantenimiento en este manual.
4. Asegúrese que todas las tuercas, pernos y tornillos estén apretados en forma segura. Inspeccione las partes móviles para verificar si están dañadas, rotas o desgastadas. Cámbielas si es necesario.
5. Retoque todas las superficies pintadas que estén oxidadas o picadas; use una lija suavemente antes de pintar.

MOTOR

SISTEMA DE COMBUSTIBLE

IMPORTANTE: Es importante evitar que se formen depósitos de goma en partes fundamentales del sistema de combustible tales como el carburador, el filtro del combustible, la manguera del combustible o en el estanque durante el almacenamiento. La experiencia también indica que los combustibles mezclados con alcohol (conocido como gasohol o que tienen etanol o metanol) pueden atraer humedad, lo que conduce a la separación de ácidos durante el almacenamiento. La gasolina ácida puede dañar el sistema de combustible de un motor durante el periodo de almacenamiento.

1. Drene el estanque de combustible.
 2. Haga arrancar el motor y déjelo funcionar hasta que las líneas del combustible y el carburador estén vacíos.
- Nunca use los productos para limpieza del carburador o del motor en el estanque de combustible pues se pueden producir daños permanentes.
 - Use combustible nuevo la próxima temporada.

AVISO: El estabilizador de combustible es una alternativa aceptable para reducir a un mínimo la formación de depósitos de goma en el combustible durante el período de almacenamiento. Agregue estabilizador a la gasolina en el estanque de combustible o en el envase para el almacenamiento. Siempre siga la proporción de mezcla que se encuentra en el envase del estabilizador. Haga funcionar el motor por lo menos 10 minutos después de agregar el estabilizador, para permitir que éste llegue al carburador. No drene la gasolina del estanque de gasolina y el carburador si se está usando estabilizador de combustible.

ACEITE DEL MOTOR

Drene el aceite (con el motor caliente) y cámbielo con aceite de motor limpio. (Vea "MOTOR" en la sección de Mantenimiento de este manual.)

CILINDRO(S)

1. Remueva la bujía.
2. Vacíe una onza de aceite a través del agujero de la bujía en el cilindro.
3. Tire el mango del arrancador, lentamente, varias veces para distribuir el aceite.
4. Cambie por una bujía nueva.

OTROS

- No guarde la gasolina de una temporada a la otra.
- Cambie el envase de la gasolina si se empieza a oxidar. La oxidación y/o la mugre en su gasolina producirán problemas.
- Si es posible, guarde su unidad en un recinto cerrado y cúbrala para protegerla contra el polvo y la mugre.
- Cubra su unidad con un forro protector adecuado que no retenga la humedad. No use plástico. El plástico no puede respirar, lo que permite la formación de condensación, lo que producirá la oxidación de su unidad.

IMPORTANTE: Nunca cubra la cultivadora mientras el motor y las áreas de escape todavía están calientes.

IDENTIFICACIÓN DE PROBLEMAS:

Vea la sección apropiada en el manual a menos que esté dirigido a un centro de servicio Sears.

PROBLEMA	CAUSA	CORRECCIÓN
No arranca	<ol style="list-style-type: none"> 1. Sin combustible. 2. Motor sin la "ESTRANGU-LACION" (CHOKE) adecuada. 3. Motor ahogado. 4. Filtro de aire sucio. 5. Agua en el combustible. 6. Estanque de combustible taponado. 7. Alambre de la bujía suelto. 8. Bujía mala o abertura inadecuada. 9. Carburador desajustado. 	<ol style="list-style-type: none"> 1. Llene el estanque de combustible. 2. Vea "PARA ARRANCAR EL MOTOR" en la sección de Operación. 3. Espere varios minutos antes de tratar de arrancar. 4. Limpie o cambie el cartucho del filtro de aire. 5. Drene el estanque de combustible y el carburador, vuelva a llenar el estanque con gasolina nueva. 6. Remueva el estanque de combustible y límpielo. 7. Asegúrese que el alambre de la bujía esté asentado en forma adecuada en ésta. 8. Cambie la bujía o ajuste la abertura. 9. Haga los ajustes necesarios.
Difícil de arrancar	<ol style="list-style-type: none"> 1. Control de la aceleración ajustado inadecuadamente. 2. Filtro de aire sucio. 3. Bujía mala o abertura inadecuada. 4. Combustible rancio o sucio. 5. Alambre de la bujía suelto. 6. Carburador desajustado. 	<ol style="list-style-type: none"> 1. Ponga el control de la aceleración en la posición de "RÁPIDO" (FAST). 2. Limpie o cambie el cartucho del filtro de aire. 3. Cambie la bujía o ajuste la abertura. 4. Drene el estanque de combustible y vuelva a llenarlo con gasolina nueva. 5. Asegúrese que el alambre de la bujía esté asentado en forma adecuada en ésta. 6. Haga los ajustes necesarios.
Falta de fuerza	<ol style="list-style-type: none"> 1. El motor está sobrecargado. 2. Filtro de aire sucio. 3. Nivel de aceite bajo/aceite sucio. 4. Bujía fallada. 5. Aceite en el combustible. 6. Combustible rancio o sucio. 7. Agua en el combustible. 8. Estanque de combustible taponado. 9. Alambre de la bujía suelto. 10. Rejilla de aire del motor sucia. 11. Silenciador sucio/taponado. 12. Carburador desajustado. 13. Mala compresión. 	<ol style="list-style-type: none"> 1. Ajuste la estaca de profundidad y las ruedas para un labrado menos profundo. 2. Limpie o cambie el cartucho del filtro de aire. 3. Revise el nivel del aceite/cambie el aceite. 4. Limpie y vuelva a ajustar la abertura o cambie la bujía. 5. Drene y limpie el estanque de combustible y vuelva a llenarlo y limpie el carburador. 6. Drene el estanque de combustible y vuelva a llenarlo con gasolina nueva. 7. Drene el estanque de combustible y el carburador y vuelva a llenar el estanque con gasolina nueva. 8. Remueva el estanque de combustible y límpielo. 9. Conecte y apriete el alambre de la bujía. 10. Limpie la rejilla de aire del motor. 11. Limpie/cambie el silenciador. 12. Haga los ajustes necesarios. 13. Contacto con su centro de servicio cualificado.

IDENTIFICACIÓN DE PROBLEMAS:

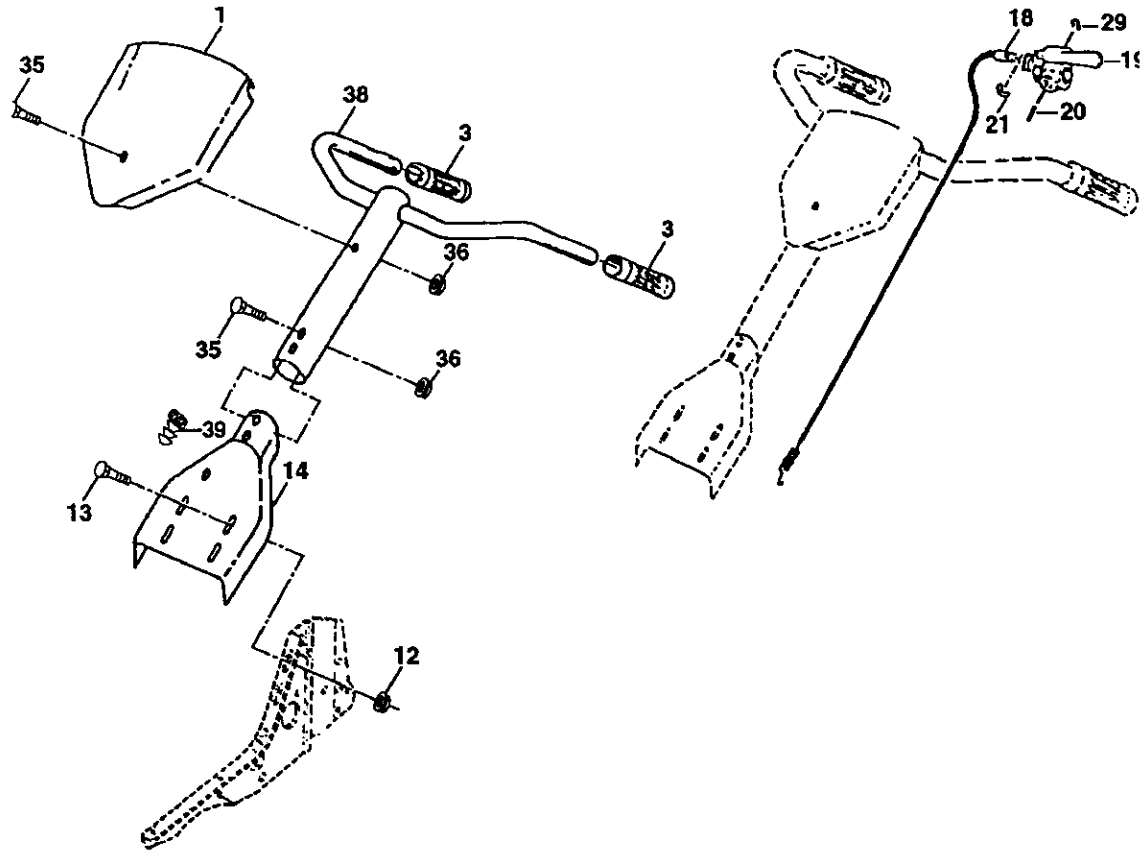
Vea la sección apropiada en el manual a menos que esté dirigido a un centro de servicio Sears.

PROBLEMA	CAUSA	CORRECCIÓN
El motor se calienta demasiado	<ol style="list-style-type: none">1. Nivel del aceite bajo/aceite sucio.2. Rejilla de aire del motor sucia.3. Motor sucio.4. Silenciador parcialmente taponado.5. Mal ajuste del carburador.	<ol style="list-style-type: none">1. Revise el nivel del aceite/cambie el aceite.2. Limpie la rejilla de aire del motor.3. Limpie las aletas del cilindro, la rejilla de aire y el área del silenciador.4. Remueva y limpie el silenciador.5. Ajuste el carburador para una posición de mezcla más rica.
Rebote excesivo/manejo difícil	<ol style="list-style-type: none">1. El terreno está muy seco y duro.2. Las ruedas y la estaca de profundidad están ajustadas incorrectamente.	<ol style="list-style-type: none">1. Moje el suelo o espere a que existan condiciones del suelo más favorables.2. Ajuste las ruedas y la estaca de profundidad.
El suelo se hace bolas o se amontona	<ol style="list-style-type: none">1. El terreno está muy mojado.	<ol style="list-style-type: none">1. Espere a que existan condiciones del suelo más favorables.
El motor funciona pero la cultivadora no se mueve	<ol style="list-style-type: none">1. La barra de control de la impulsión no está enganchada.2. La correa V no está ajustada correctamente.3. La correa V está fuera de la(s) polea(s).	<ol style="list-style-type: none">1. Enganche el control de la impulsión.2. Inspeccione/ajuste la correa V.3. Inspeccione la correa V.
El motor funciona pero se esfuerza cuando se labra	<ol style="list-style-type: none">1. Se está labrando muy profundamente.2. El control de la aceleración no está ajustado en forma adecuada.3. El carburador está desajustado.	<ol style="list-style-type: none">1. Ajuste la estaca de profundidad para un labrado menos profundo.2. Revise el ajuste del control de la aceleración.3. Haga los ajustes necesarios.

REPAIR PARTS

TILLER -- MODEL NUMBER 917.292481

HANDLES

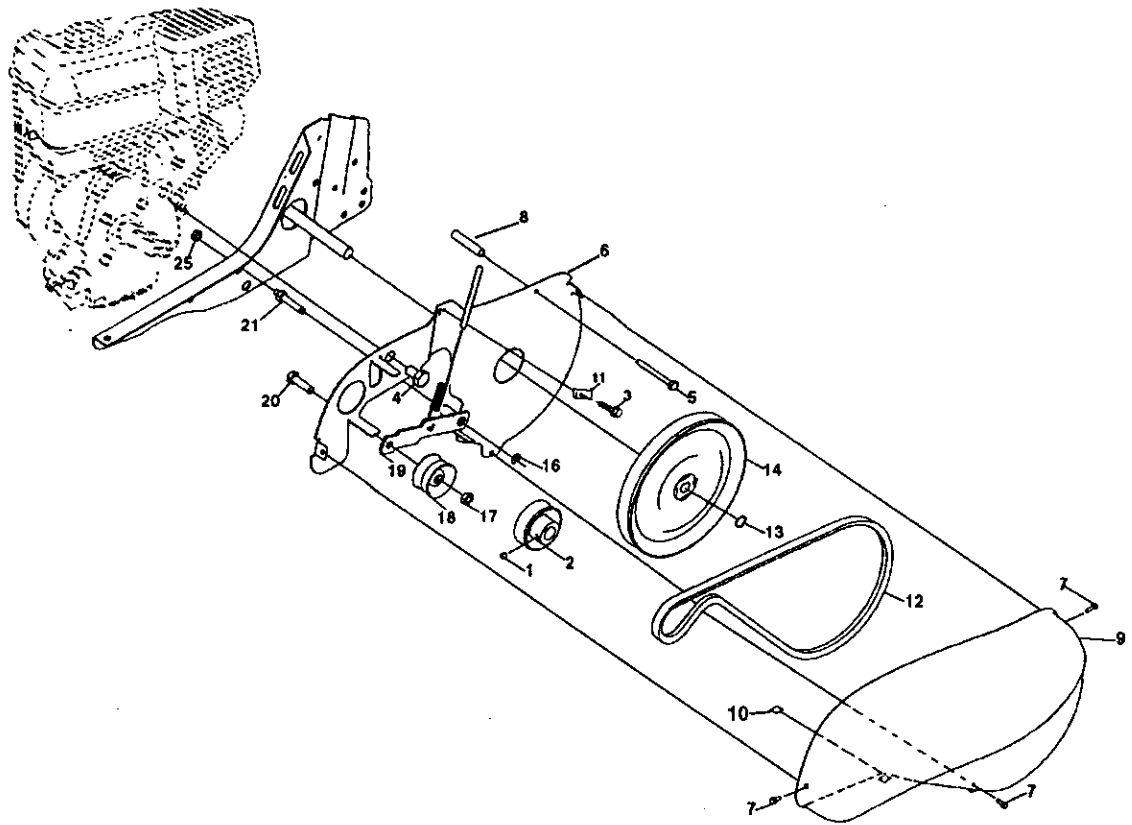


KEY PART NO.	NO.	DESCRIPTION
1	137118	Panel, Control
3	9266R	Grip, Handle
12	98000129	Nut, Flange
13	STD533107	Bolt, Carriage 5/16-18 x 3/4
14	181476	Assembly, Panel and Tube
18	3066J	Cable, Tine Control
19	151229	Lever, Control, Tine
20	154805	Pin, Pivot

KEY PART NO.	NO.	DESCRIPTION
21	12000027	Ring, Clip
29	12000059	Retainer, Ring
35	72010520	Bolt 5/16-18 x 2-1/2
36	73970500	Locknut, Flange 5/16-18 UNC
38	152094	Assembly, Handle Column
39	181580	Clip

NOTE: All component dimensions given in U.S. inches. 1 inch = 25.4 mm

**TILLER -- MODEL NUMBER 917.292481
BELT GUARD AND PULLEY ASSEMBLY**

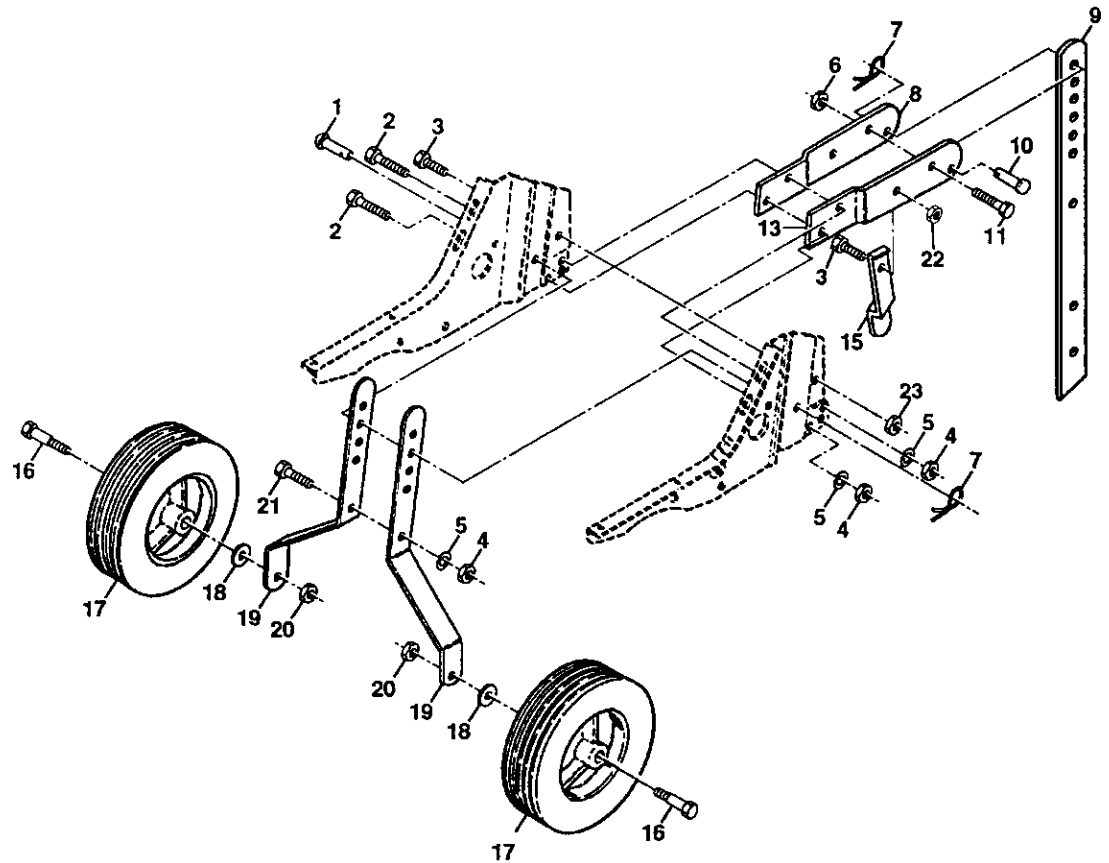


KEY PART NO.	NO.	DESCRIPTION
1	23230506	Screw Set 5/16-18 x 3/8 Patch
2	130812	Sheave, Engine
3	86777	Screw, Tap Hex Head
4	74610812	Bolt, Hex Head 1/2-20 x 3/4
5	17490440	Bolt, Thd Roller 1/4-20 x 2-1/2
6	174898	Shield, Inner Belt Guard
7	170488	Screw Hex Wsh Hd #8-18 x 1/2
8	139155	Spacer Split
9	165768X558	Guard, Belt
10	109227X	Pad, Idler
11	9484R	Clip, Cable
12	9180R	V-Belt

KEY PART NO.	NO.	DESCRIPTION
13	12000028	Ring, Retainer
14	151223	Sheave, Transmisison
16	12000036	Ring, Klip
17	STD541237	Nut, Hex, Jam 3/8-16
18	161806	Pulley, Idler
19	175377	Arm, Idler
20	STD523712	Bolt, Hex Head 3/8-16 x 1-1/4
21	106968X	Shaft, Idler Arm
25	73350500	Nut, Hex, Jam 5/16-18

NOTE: All component dimensions given in U.S. inches. 1 inch = 25.4 mm

**TILLER - - MODEL NUMBER 917.292481
WHEEL AND DEPTH STAKE ASSEMBLY**



**KEY PART
NO. NO.**

NO.	NO.	DESCRIPTION
1	9194R	Pin, Clevis
2	74760520	Bolt, Hex Head 5/16-18 x 1-1/4
3	STD523107	Bolt, Hex Head 5/16-18 x 3/4
4	STD541031	Nut, Hex 5/16-18
5	STD551131	Washer, Lock 5/16
6	STD541437	Locknut, w/washer 3/8-16
7	4921H	Clip, Hairpin
8	1952J	Support, Depth Stake, R.H.
9	122233X	Stake, Depth
10	326J	Pin, Clevis
11	74780628	Bolt, Hex 3/8-16 x 1-3/4
13	1951J	Support, Depth Stake, L.H.

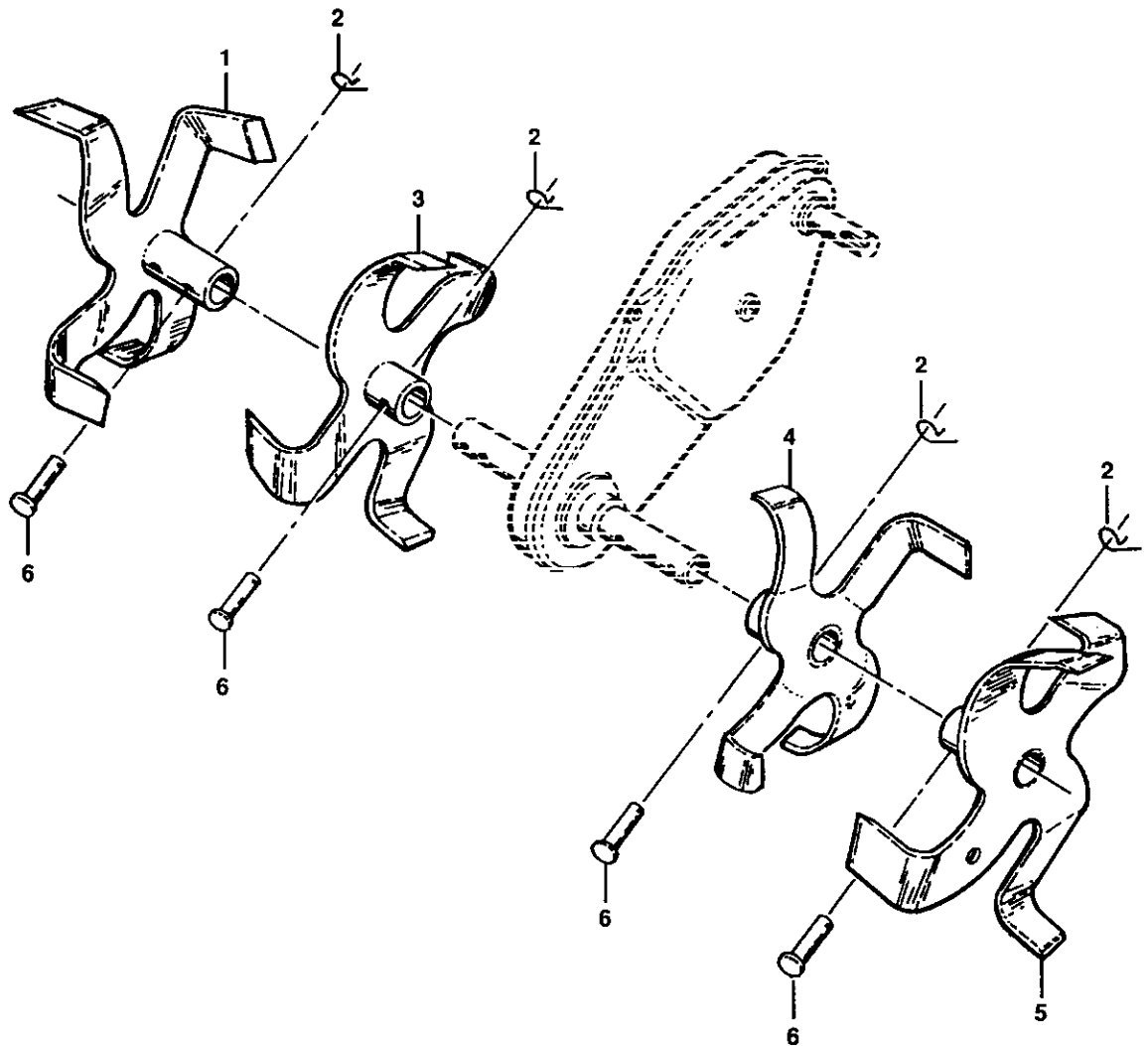
**KEY PART
NO. NO.**

NO.	NO.	DESCRIPTION
15	5388J	Spring, Stake
16	121117X	Bolt, Shoulder
17	9188R	Wheel
18	STD551037	Washer 13/32 x 13/16 x 11 Ga
19	9190R	Bracket, Wheel
20	STD541437	Locknut, Crown 3/8-16
21	74760516	Bolt, Hex Head 5/16-18 x 1
22	STD541431	Locknut, w/insert 5/16-18
23	73970500	Nut Lock 5/16-18

NOTE: All component dimensions given in U.S. inches. 1 inch = 25.4 mm

TILLER -- MODEL NUMBER 917.292481

TINE ASSEMBLY

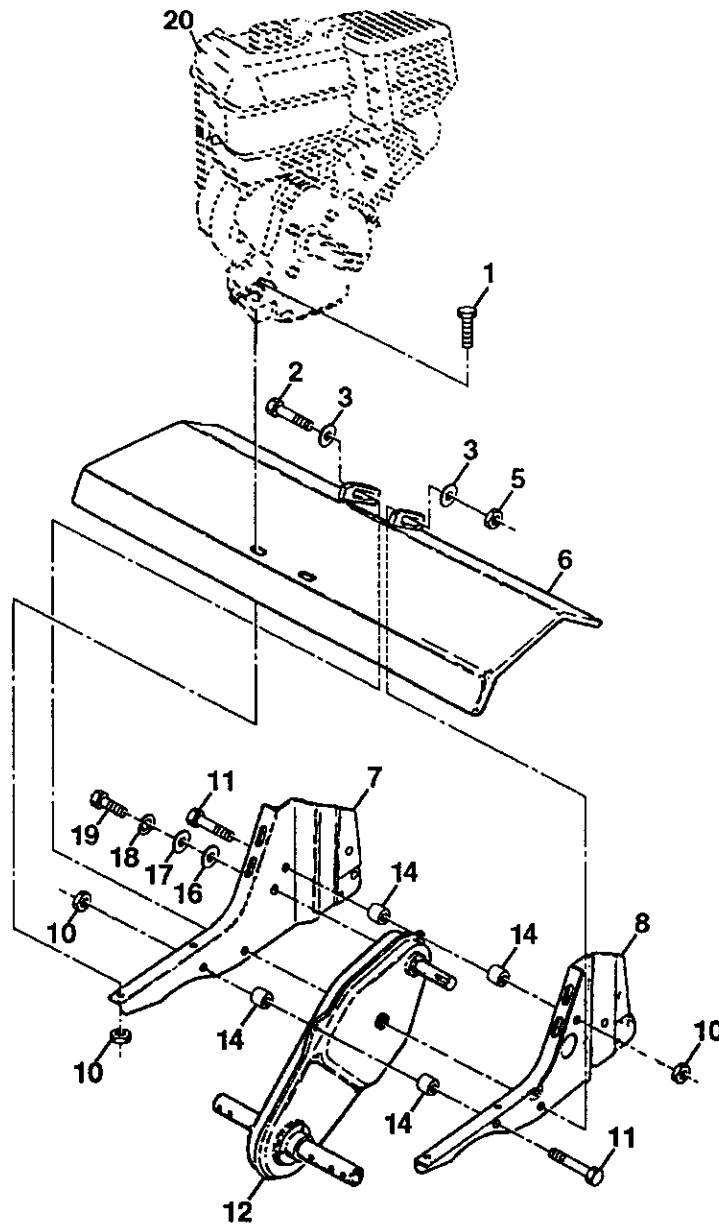


KEY PART NO.	PART NO.	DESCRIPTION
1	156926	Tine, Outer, R.H.
2	3146R	Retainer, Spring Zinc
3	156924	Tine, Inner, R.H.
4	156923	Tine, Inner, L.H.

KEY PART NO.	PART NO.	DESCRIPTION
5	156925	Tine, Outer, L.H.
6	4929H	Pin, Clevis

NOTE: All component dimensions given in U.S. inches. 1 inch = 25.4 mm

TILLER -- MODEL NUMBER 917.292481
TRANSMISSION



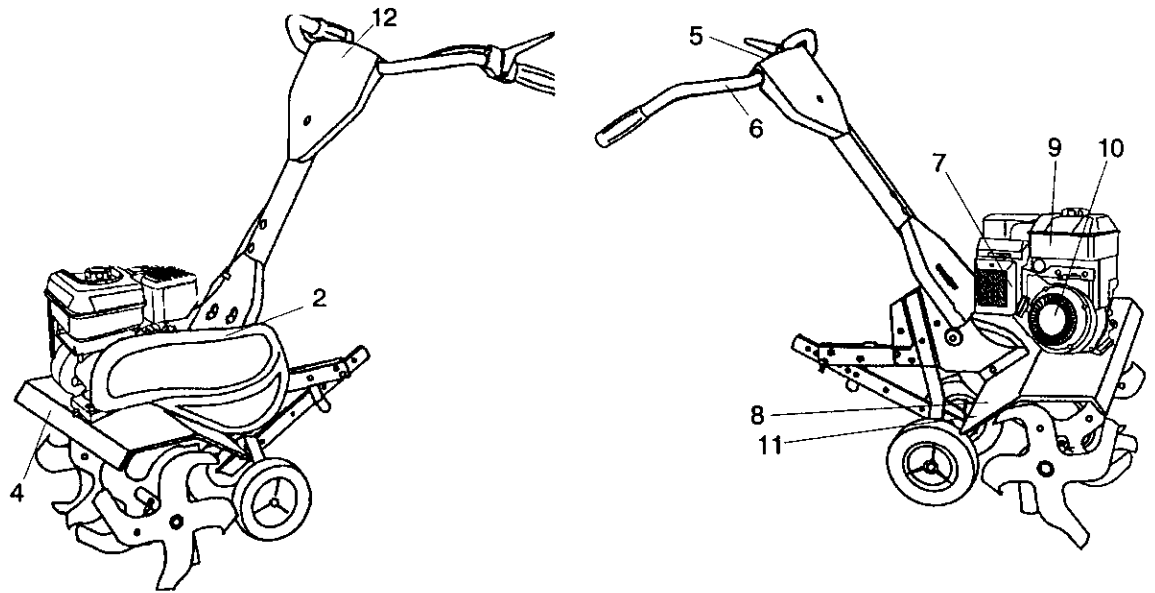
KEY PART NO.	NO.	DESCRIPTION
1	74760524	Bolt, Hex 5/16-18 x 1-1/2 Gr. 2
2	STD523732	Bolt, Fin, Hex 3/8-16 x 3-1/4
3	STD551037	Washer 13/32 x 13/16 x 11
5	STD541437	Locknut, w/washer 3/8-16
6	9056R558	Shield, Tine
7	165835	Bracket, Engine, R.H.
8	165834	Bracket, Engine, L.H.
10	73970500	Nut, Lock 5/16-18
11	74760544	Bolt, Hex Head 5/16-18 x 2-3/4
12	176112	Transmission
14	9173R	Spacer, Split

KEY PART NO.	NO.	DESCRIPTION
15	73970500	Nut, Lock Hex Flange 5/16-18UNC
16	19091412	Washer 9/32 x 7/8 x 12 Ga.
17	19092016	Washer 9/32 x 1-1/4 x 16 Ga.
18	STD551125	Washer, Lock 1/4
19	74610412	Bolt, Hex 1/4-28 x 3/4 Gr. 5
20	-----	Engine (See Breakdown) Briggs Model 126402,0206-E1

NOTE: All component dimensions given in U.S. inches. 1 inch = 25.4 mm

TILLER -- MODEL NUMBER 917.292481

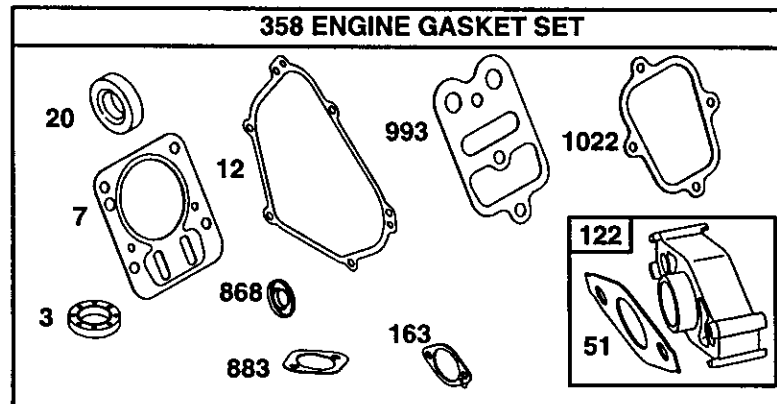
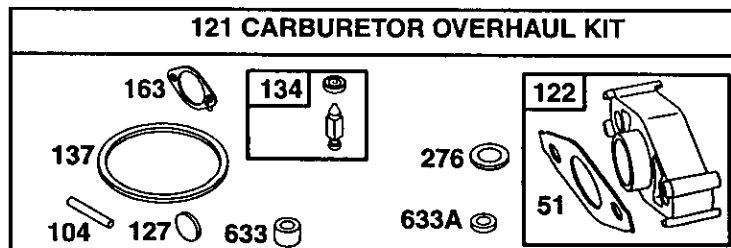
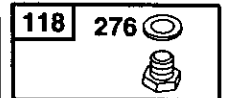
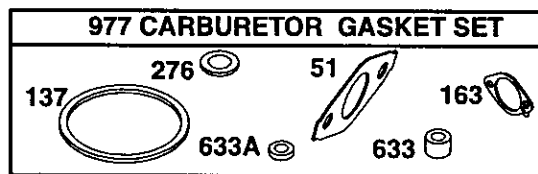
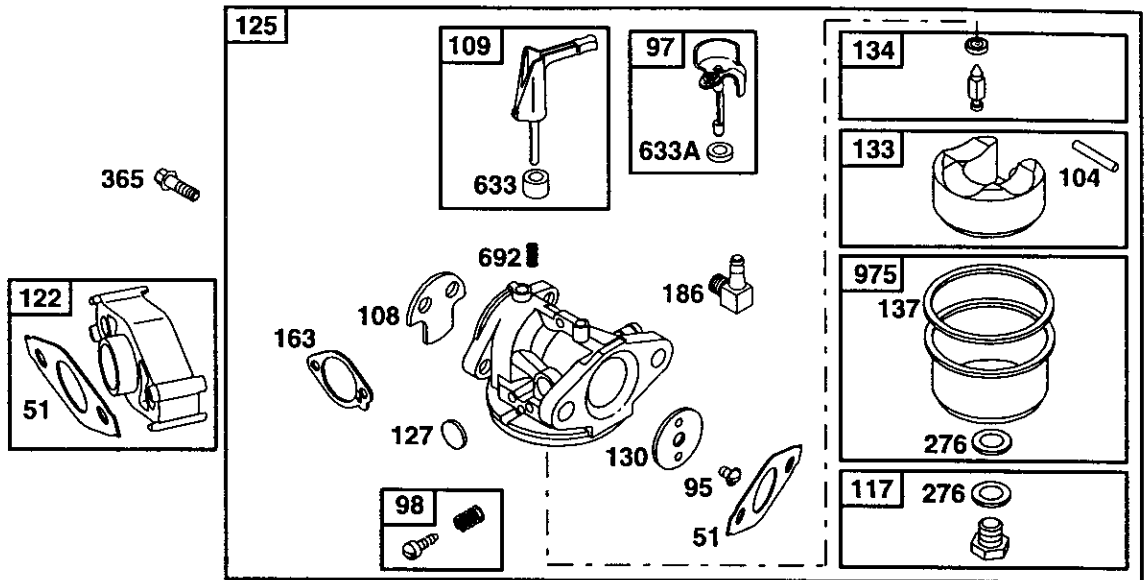
DECALS



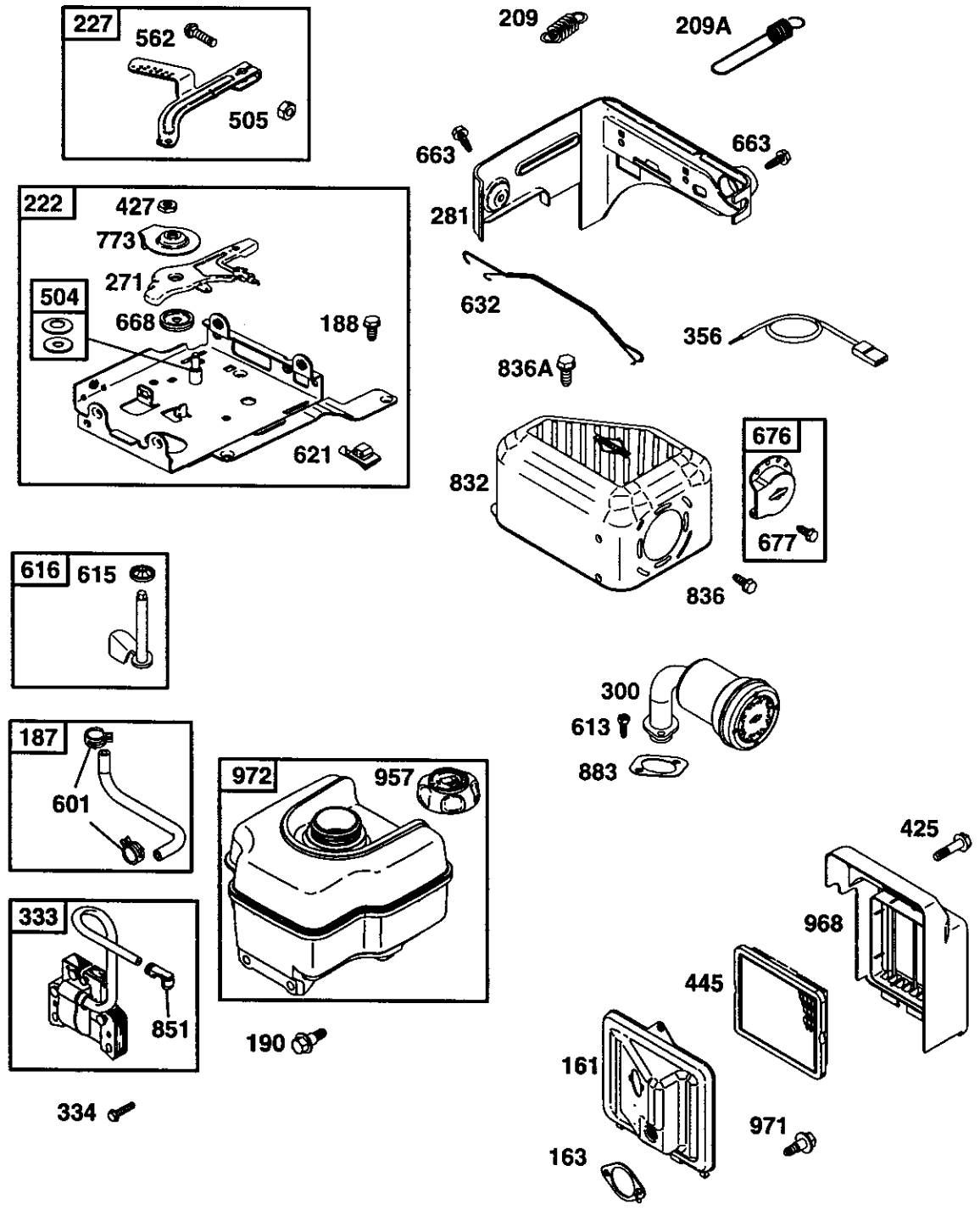
KEY PART

NO.	NO.	DESCRIPTION
2	166214	Decal, Logo
4	166215	Decal, Belt Guard Tine Shield HP
5	137539	Decal, Cntrl Pnl Inst.
6	120431X	Decal, Hand Placement
7	176783	Decal, Engine Oper.
8	120075X	Decal, Warning, Rotating Tines
9	167156	Decal, Engine B&S Intek
10	171078	Decal, Rewind Intek
11	162215	Decal, Tine Shield Warning
12	166217	Decal, Control Panel
--	181629	Manual, Owner's (Eng/Span)

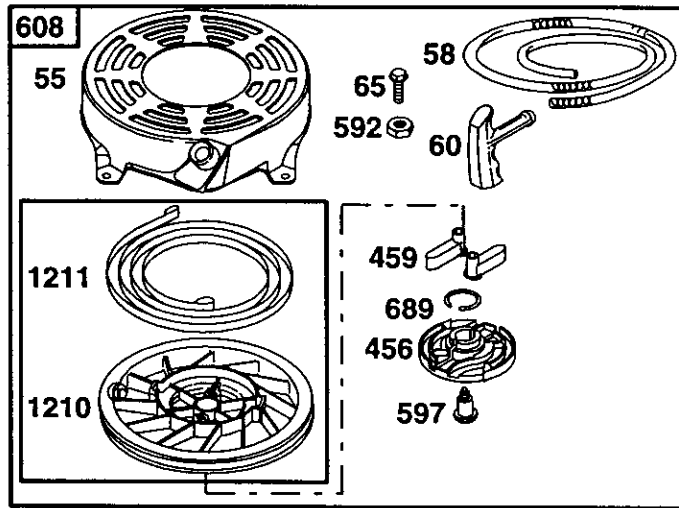
TILLER -- MODEL NUMBER 917.292481
ENGINE, BRIGGS & STRATTON -- MODEL NUMBER 126402, TYPE NO. 0206-E1



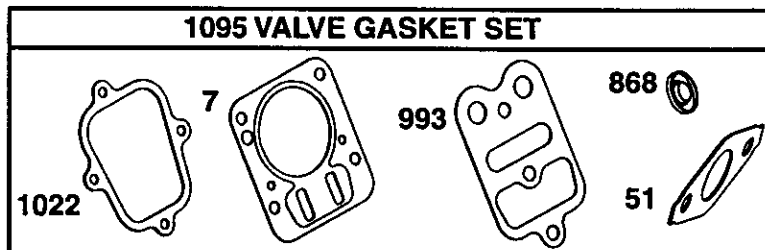
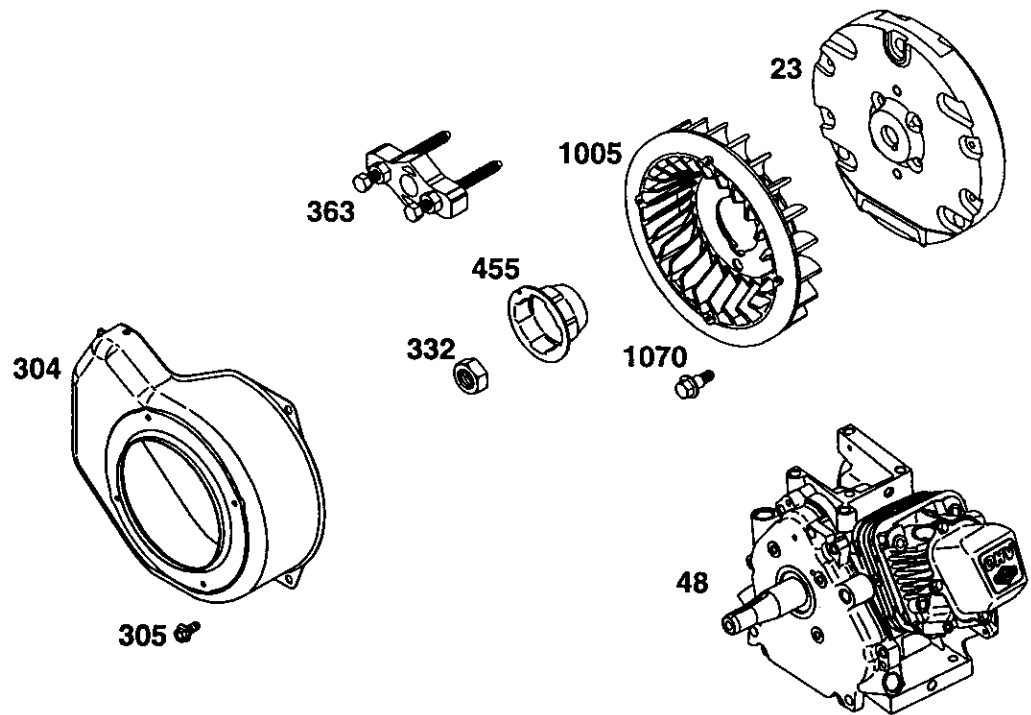
TILLER -- MODEL NUMBER 917.292481
ENGINE, BRIGGS & STRATTON -- MODEL NUMBER 126402, TYPE NO. 0206-E1



TILLER -- MODEL NUMBER 917.292481
ENGINE, BRIGGS & STRATTON -- MODEL NUMBER 126402, TYPE NO. 0206-E1



1036 EMISSIONS LABEL



TILLER -- MODEL NUMBER 917.292481
ENGINE, BRIGGS & STRATTON -- MODEL NUMBER 126402, TYPE NO. 0206-E1

KEY NO.	PART NO.	DESCRIPTION	KEY NO.	PART NO.	DESCRIPTION
1	693811	Cylinder Assembly	97	690024	Shaft-Throttle
3	299819	• Seal-Oil (Magneto Side)	98	398185	Kit-Idle Speed
5	693643	Head-Cylinder	104	691242	∅ Pin-Float Hinge
7	695166	•+ Gasket-Cylinder Head	108	692567	Valve-Choke
11	692600	Tube-Breather	109	690023	Shaft-Choke
12	692549	• Gasket-Crankcase	117	498978	Jet-Main (Standard)
13	691137	Screw (Cylinder Head)	118	497466	Jet-Main (High Altitude)
15	691686	Plug-Oil Drain	121	696998	Kit-Carburetor Overhaul
15A	691682	Plug-Oil Drain	122	693749	•∅ Spacer-Carburetor
16	693887	Crankshaft	125	696981	Carburetor
18	694466	Cover-Crankcase	127	691739	∅ Plug-Welch
20	692550	• Seal-Oil (PTO Side)	130	691181	Valve-Throttle
21	281658	Cap-Oil Fill	133	398187	Float-Carburetor
22	691662	Screw (Engine Sump)	134	398188	∅ Kit-Needle/Seat
23	692987	Flywheel	137	693981	∅‡ Gasket-Float Bowl
24	222698	Key-Flywheel	146	690979	Key-Timing
25	690021	Piston Assembly (Standard)	161	696063	Base-Air Cleaner
	694167	Piston Assembly (.010" O.S.)	163	696024•∅‡	Gasket-Air Cleaner
	694168	Piston Assembly (.020" O.S.)	186	692317	Connector-Hose
	694169	Piston Assembly (.030" O.S.)	187	693401	Line-Fuel (Molded)
26	499631	Ring Set-Piston (Standard)	188	690877	Screw (Control Bracket)
	692785	Ring Set-Piston (.010" O.S.)	189	694543	Ball-Rocker Arm
	692786	Ring Set-Piston (.020" O.S.)	190	692127	Screw (Fuel Tank)
	692787	Ring Set-Piston (.030" O.S.)	209	691278	Spring-Governor
27	691866	Lock-Piston Pin	209A	692571	Spring-Governor
28	499423	Pin-Piston	219	693578	Gear-Governor
29	690124	Rod-Connecting	220	691724	Washer (Governor Gear)
30	692562	Dipper-Connecting Rod	222	694253	Bracket-Control
32	691664	Screw (Connecting Rod)	227	692573	Control Lever-Governor
32A	695759	Screw (Connecting Rod)	238	691300	Cap-Valve
33	499642	Valve-Exhaust	271	694256	Lever-Control
34	499641	Valve-Intake	276	271716	∅‡ Sealing Washer
35	691304	Spring-Valve (Intake)	281	694252	Panel-Control
36	691304	Spring-Valve (Exhaust)	300	693593	Muffler
40	692194	Retainer-Valve	304	696066	Housing-Blower
45	690977	Tappet-Valve	305	690960	Screw (Blower Housing)
46	693404	Camshaft	306	693610	Shield-Cylinder
48	693779	Short Block(Replacement Engine 126432-0036-E1)			• Included in Engine Gasket Set, Key. No. 358
51	692555	•∅‡+ Gasket-Intake			∅ Included in Carburetor Overhaul Kit, Key. No. 121
55	691421	Housing-Rewind Starter			‡ Included in Carburetor Gasket Set, Key. No. 977
58	692259	Rope-Starter (Cut to Required Length)			+ Included in Valve Gasket Set, Key. No. 1095
60	281434	Grip-Starter Rope			
65	690837	Screw (Rewind Starter)			
95	691636	Screw (Throttle Valve)			

NOTE: All component dimensions given in U.S. inches 1 inch = 25.4 mm

TILLER -- MODEL NUMBER 917.292481
ENGINE, BRIGGS & STRATTON -- MODEL NUMBER 126402, TYPE NO. 0206-E1

KEY NO.	PART NO.	DESCRIPTION	KEY NO.	PART NO.	DESCRIPTION
307	690345	Screw (Cylinder Shield)	746	692566	Gear-Idler
332	690662	Nut (Flywheel)	773	694258	Retainer
333	692605	Armature-Magneto	830	694544	Stud (Rocker Arm)
334	691061	Screw (Armature Magneto)	832	693583	Guard-Muffler
337	491055	Spark Plug	836	690661	Screw (Muffler Guard)
356	692390	Wire-Stop	836A	693624	Screw (Muffler Guard)
358	697000	Gasket Set-Engine	851	493880	Terminal-Sparkplug
363	19069	Flywheel Puller	868	692044	*+ Seal-Valve
365	692568	Screw (Carburetor)	883	691893	* Gasket-Exhaust
383	19374	Wrench-Spark Plug	886	696268	Gasket Kit-Cylinder Head/ Plate
415	693463	Plug			
425	692583	Screw (Air Cleaner Cover)	914	692198	Screw (Rocker Cover)
427	694255	Nut (Control Bracket)	914A	692557	Screw (Rocker Cover)
445	491588	Filter-Air Cleaner Cartridge	957	694261	Cap-Fuel Tank
455	692591	Cup-Flywheel	968	692584	Cover-Air Cleaner
456	692299	Plate-Pawl Friction	971	690370	Screw (Air Cleaner Base)
459	281505	Pawl-Ratchet	972	694260	Tank-Fuel
504	694254	Washer Set	975	493640	Bowl-Float
505	691251	Nut (Governor Control Lever)	977	697001	Gasket Set-Carburetor
552	692346	Bushing-Governor Crank	993	694088	*+ Gasket-Cylinder Head Plate
562	691112	Bolt (Governor Control Lever)	1005	692592	Fan-Flywheel
592	690800	Nut (Rewind Starter)	1019	694851	Kit-Label
597	691696	Screw (Pawl Friction Plate)	1022	691890	*+ Gasket-Rocker Cover
601	95162	Clamp-Hose	1023	499924	Cover-Rocker
608	497680	Starter-Rewind	1026	693517	Rod-Push
613	691665	Screw (Muffler)	1029	691230	Arm-Rocker
615	692576	Retainer-Governor Shaft	1034	691343	Guide-Push Rod
616	692547	Crank-Governor	1036	696766	Label-Emissions
619	691108	Screw (Cylinder Head Plate)	1058	274781	Owner's Manual
621	692310	Switch-Stop	1070	692590	Screw (Flywheel Fan)
632	693408	Spring/Link-Mechanical Governor	1095	695289	Gasket Set-Valve
			1210	498144	Assembly-Pulley/Spring (Pulley)
633	693867	Ø‡ Seal-Choke/Throttle Shaft			
633A	691321	Ø‡ Seal-Throttle Shaft	1211	498144	Assembly-Pulley/Spring (Spring)
635	692076	Boot-Sparkplug			
663	694593	Screw (Control Panel)			
668	694257	Spacer	*		Included in Engine Gasket Set, Key. No. 358
676	393757	Deflector-Muffler	Ø		Included in Carburetor Overhaul Kit, Key. No. 121
677	690661	Screw (Muffler Deflector)	‡		Included in Carburetor Gasket Set, Key. No. 977
689	691855	Spring-Friction	+		Included in Valve Gasket Set, Key. No. 1095
692	690572	Spring-Detent			
718	690959	Pin-Locating			
741	692565	Gear-Timing			
742	692564	Retainer-E Ring			

NOTE: All component dimensions given in U.S. inches 1 inch = 25.4 mm

Get it fixed, at your home or ours!

For repair of major brand appliances **in your own home . . .**
no matter who made it, no matter who sold it!

1-800-4-MY-HOME® Anytime, day or night
(1-800-469-4663) (U.S.A. and Canada)
www.sears.com www.sears.ca

For repair of carry-in products like vacuums, lawn equipment, and electronics, call for the nearest **Sears Parts and Repair Center.**

1-800-488-1222 Anytime, day or night (U.S.A. only)
www.sears.com

For the replacement parts, accessories and owner's manuals that you need to do-it-yourself, call **Sears PartsDirectSM!**

1-800-366-PART 6 a.m. – 11 p.m., 7 days a week
(1-800-366-7278) (U.S.A. only)
www.sears.com/partsdirect

To purchase or inquire about a Sears Service Agreement or Sears Maintenance Agreement:

1-800-827-6655 (U.S.A.)	1-800-361-6665 (Canada)
7 a.m. – 5 p.m., CST, Mon. – Sat.	9 a.m. – 8 p.m. EST, M – F, 4 p.m. Sat.

Para pedir servicio de reparación a domicilio, y para ordenar piezas:

1-888-SU-HOGARSM
(1-888-784-6427)

Au Canada pour service en français:

1-800-LE-FOYER^{MC}
(1-800-533-6937)
www.sears.ca



© Sears, Roebuck and Co.

® Registered Trademark / TM Trademark / SM Service Mark of Sears, Roebuck and Co.

® Marca Registrada / TM Marca de Fábrica / SM Marca de Servicio de Sears, Roebuck and Co.

^{MC} Marque de commerce / ^{MD} Marque déposée de Sears, Roebuck and Co.