

# Owner's Manual



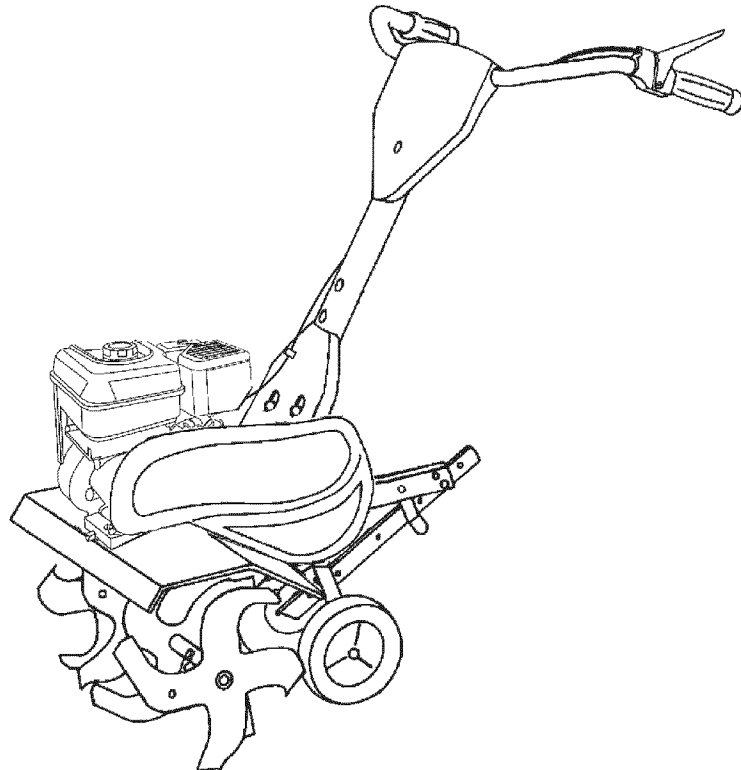
## FRONT TINE TILLER

900 Series

18 Inch Tine Width

Model No.

**917.299013**



• Español, p. 19



This product has a low emission engine which operates differently from previously built engines. Before you start the engine, read and understand this Owner's Manual.

### **IMPORTANT:**

Read and follow all Safety Rules and Instructions before operating this equipment.

Sears, Roebuck and Co., Hoffman Estates, IL 60179 U.S.A.

Visit our Craftsman website: [www.sears.com/craftsman](http://www.sears.com/craftsman)

**428611 Rev. 1**

## TABLE OF CONTENTS

Warranty .....	2	Maintenance .....	11
Safety Rules .....	2	Service and Adjustments .....	14
Product Specifications .....	4	Storage .....	16
Assembly/Pre-Operation .....	5	Troubleshooting .....	17
Operation .....	7	Illustrated Parts List .....	36
Maintenance Schedule .....	11	Sears Service .....	Back Cover

## WARRANTY

### LIMITED ONE YEAR WARRANTY ON CRAFTSMAN TILLER

For one (1) year from date of purchase, when this Craftsman Tiller is maintained, lubricated, and tuned up according to the operating and maintenance instructions in the owner's manual, Sears will repair free of charge any defect in material or workmanship.

This Warranty does not cover:

- Expendable items which become worn during normal use, such as tines, spark plugs, air cleaners and belts.
- Repairs necessary because of operator abuse or negligence, including bent crankshafts and the failure to maintain the equipment according to the instructions contained in the owner's manual.
- If this Craftsman Tiller is used for commercial or rental purposes, this Warranty applies for only thirty (30) days from the date of purchase.

Warranty service is available by returning the craftsman power mower to the nearest sears service center/department in the united states. This warranty applies only while this product is in use in the united states.

This Warranty gives you specific legal rights, and you may also have other rights which vary from state to state.

SEARS, ROEBUCK AND CO., D/817WA, HOFFMAN ESTATES, IL 60179 U.S.A.

## SAFETY RULES

**IMPORTANT:** This cutting machine is capable of amputating hands and feet and throwing objects. Failure to observe the following safety instructions could result in serious injury or death.

### TRAINING

- Read the Owner's Manual carefully. Be thoroughly familiar with the controls and the proper use of the equipment. Know how to stop the unit and disengage the controls quickly.
- Never allow children to operate the equipment. Never allow adults to operate the equipment without proper instruction.
- Keep the area of operation clear of all persons, particularly small children, and pets.

### PREPARATION

- Thoroughly inspect the area where the equipment is to be used and remove all foreign objects.

- Disengage all clutches and shift into neutral before starting the engine (motor).
- Do not operate the equipment without wearing adequate outer garments. Wear footwear that will improve footing on slippery surfaces.
- Handle fuel with care; it is highly flammable.
- Use an approved fuel container.
- Never add fuel to a running engine or hot engine.
- Fill fuel tank outdoors with extreme care. Never fill fuel tank indoors.
- Replace gasoline cap securely and clean up spilled fuel before restarting.

# SAFETY RULES

- Use extension cords and receptacles as specified by the manufacturer for all units with electric drive motors or electric starting motors.
- Never attempt to make any adjustments while the engine (motor) is running (except where specifically recommended by manufacturer).


## OPERATION


- Do not put hands or feet near or under rotating parts.
- Exercise extreme caution when operating on or crossing gravel drives, walks, or roads. Stay alert for hidden hazards or traffic. Do not carry passengers.
- After striking a foreign object, stop the engine (motor), remove the wire from the spark plug, thoroughly inspect the tiller for any damage, and repair the damage before restarting and operating the tiller.
- Exercise caution to avoid slipping or falling.
- If the unit should start to vibrate abnormally, stop the engine (motor) and check immediately for the cause. Vibration is generally a warning of trouble.
- Stop the engine (motor) when leaving the operating position.
- Take all possible precautions when leaving the machine unattended. Disengage the tines, shift into neutral, and stop the engine.
- Before cleaning, repairing, or inspecting, shut off the engine and make certain all moving parts have stopped. Disconnect the spark plug wire, and keep the wire away from the plug to prevent accidental starting. Disconnect the cord on electric motors.
- Do not run the engine indoors; exhaust fumes are dangerous.
- Never operate the tiller without proper guards, plates, or other safety protective devices in place.
- Keep children and pets away.


- Do not overload the machine capacity by attempting to till too deep at too fast a rate.
- Never operate the machine at high speeds on slippery surfaces. Look behind and use care when backing.
- Never allow bystanders near the unit.
- Use only attachments and accessories approved by the manufacturer of the tiller.
- Never operate the tiller without good visibility or light.
- Be careful when tilling in hard ground. The tines may catch in the ground and propel the tiller forward. If this occurs, let go of the handlebars and do not restrain the machine.

## MAINTENANCE AND STORAGE

- Keep machine, attachments, and accessories in safe working condition.
- Check shear pins, engine mounting bolts, and other bolts at frequent intervals for proper tightness to be sure the equipment is in safe working condition.
- Never store the machine with fuel in the fuel tank inside a building where ignition sources are present, such as hot water and space heaters, clothes dryers, and the like. Allow the engine to cool before storing in any enclosure.
- Always refer to the operator's guide instructions for important details if the tiller is to be stored for an extended period.

 Look for this symbol to point out important safety precautions. It means **CAUTION!!! BECOME ALERT!!! YOUR SAFETY IS INVOLVED.**

 **CAUTION:** Always disconnect spark plug wire and place wire where it cannot contact spark plug in order to prevent accidental starting when setting up, transporting, adjusting or making repairs.

 **WARNING:** Engine exhaust, some of its constituents, and certain vehicle components contain or emit chemicals known to the State of California to cause cancer and birth defects or other reproductive harm.

## PRODUCT SPECIFICATIONS

Gasoline Capacity:	3 Quarts (2.8L) Unleaded Regular
Oil (API-SG-SL): (Capacity:20 oz./0.6L)	SAE 30 Above 32°F/0°C SAE5w30Below32°F/0°C
Spark Plug:	Champion RC12YC (Gap: .030"/0.76mm)

**CONGRATULATIONS** on your purchase of a Sears Tiller. It has been designed, engineered and manufactured to give you the best possible dependability and performance.

Should you experience any problems you cannot easily remedy, please contact a Sears or other qualified Service Center. We have competent, well-trained technicians and the proper tools to service or repair this unit.

Please read and retain this manual. The instructions will enable you to assemble and maintain your tiller properly. Always observe the "SAFETY RULES".

Your new tiller has been assembled at the factory with exception of those parts left unassembled for shipping purposes. To ensure safe and proper operation of your tiller all parts and hardware you assemble must be tightened securely. Use the correct tools as necessary to insure proper tightness.

### CUSTOMER RESPONSIBILITIES

- Read and observe the safety rules.
- Follow a regular schedule in maintaining, caring for and using your tiller.
- Follow the instructions under the "Maintenance" and "Storage" sections of this Owner's Manual.

**⚠WARNING:** This unit is equipped with an internal combustion engine and should not be used on or near any unimproved forest-covered, brush-covered or grass covered land unless the engine's exhaust system is equipped with a spark arrester meeting applicable local or state laws (if any). If a spark arrester is used, it should be maintained in effective working order by the operator.

In the state of California the above is required by law (Section 4442 of the California Public Resources Code). Other states may have similar laws. Federal laws apply on federal lands. A spark arrester for the muffler is available through your nearest Sears service center (See REPAIR PARTS section of this manual).

## REPAIR PROTECTION

### AGREEMENTS

Congratulations on making a smart purchase. Your new Craftsman® product is designed and manufactured for years of dependable operation. But like all products, it may require repair from time to time. That's when having a Repair Protection Agreement can save you money and aggravation.

*Purchase a Repair Protection Agreement now and protect yourself from unexpected hassle and expense.*

Here's what's included in the Agreement:

- Expert service by our 12,000 professional repair specialists.
- Unlimited service and no charge for parts and labor on all covered repairs.
- Product replacement if your covered product can't be fixed.
- Discount of 10% from regular price of service and service-related parts not covered by the agreement; also, 10% off regular price of preventive maintenance check.
- Fast help by phone – phone support from a Sears technician on products requiring in-home repair, plus convenient repair scheduling.

Once you purchase the Agreement, a simple phone call is all that it takes for you to schedule service. You can call anytime day or night, or schedule a service appointment online.

Sears has over 12,000 professional repair specialists, who have access to over 4.5 million quality parts and accessories.

That's the kind of professionalism you can count on to help prolong the life of your new purchase for years to come. Purchase your Repair Protection Agreement today!

**Some limitations and exclusions apply. For prices and additional information call 1-800-827-6655.**


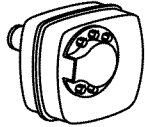

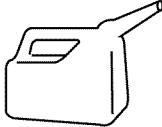


### SEARS INSTALLATION SERVICE

*For Sears professional installation of home appliances, garage door openers, water heaters, and other major home items, in the U.S.A. call 1-800-4-MY-HOME®*



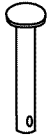

## ACCESSORIES

These accessories were available when the tiller was produced. They are also available at most Sears retail outlets and service centers. Some of these accessories may not apply to your tiller.

### ENGINE

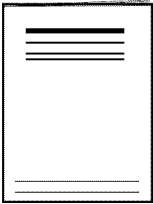
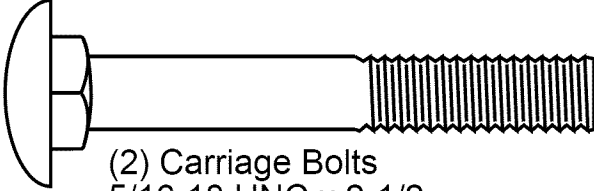
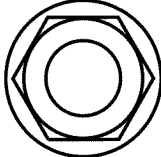
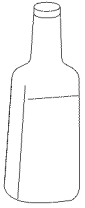

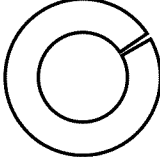
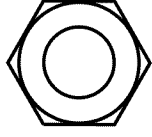
SPARK PLUG	MUFFLER	AIR FILTER	GAS CAN	ENGINE OIL	STABILIZER
					

### TILLER MAINTENANCE

BELT	TINES	SHEAR PIN	HAIRPIN CLIP
			

## UNASSEMBLED PARTS

### CONTENTS OF HARDWARE PACK

 (1) Manual	 (2) Carriage Bolts 5/16-18 UNC x 2-1/2	 (2) Flange Locknuts 5/16-18 UNC
 (1) Bottle Engine Oil	 (2) Hex Bolt 5/16-18 x 1-1/4	 (2) Lock Washer 5/16
		 (2) Hex Nut 5/16-18

# ASSEMBLY/PRE-OPERATION

Your new tiller has been assembled at the factory with the exception of those parts left unassembled for shipping purposes. To ensure safe and proper operation of your tiller all parts and hardware you assemble must be tightened securely. Use the correct tools as necessary to insure proper tightness.

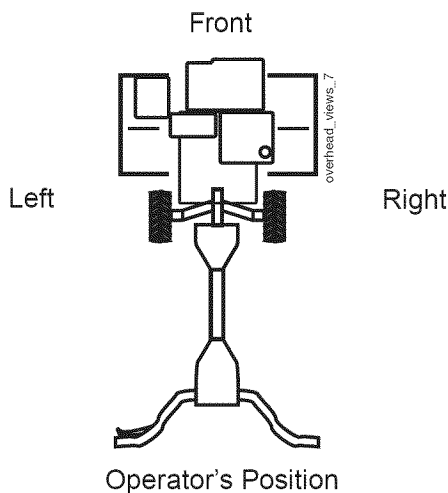
## TOOLS REQUIRED FOR ASSEMBLY

A socket wrench set will make assembly easier. Standard wrench sizes are listed.

- (1) Utility knife
- (2) 1/2 Wrench

## OPERATOR'S POSITION

When right or left hand is mentioned in this manual, it means when you are in the operating position (standing behind tiller handles).



## UNPACK CARTON & INSTALL HANDLE

**CAUTION:** Be careful of exposed staples when handling or disposing of carton material.

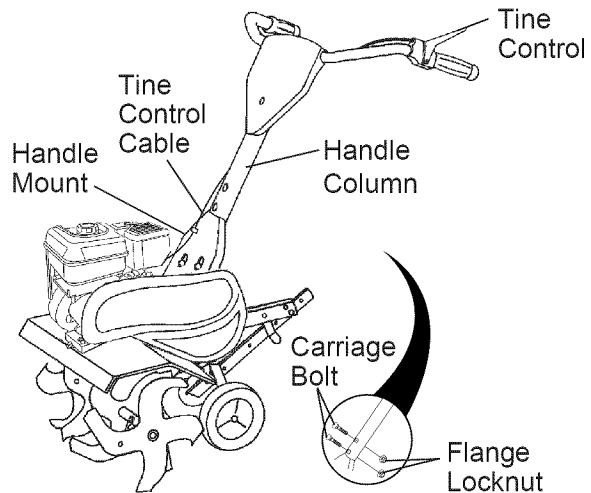
**IMPORTANT:** When unpacking and assembling tiller, be careful not to stretch or kink cable(s).

1. Cut cable ties securing handle column.
2. Route cable(s) as shown and slide handle column onto handle mount.
3. Remove all packing from carton.
4. Secure handle column using two (2) carriage bolts and two (2) flange locknuts. Tighten securely.
5. Cut away carton.
6. Route tine control cable(s) through plastic cable clip on handle mount.

**NOTE:** Cables must not touch the muffler.

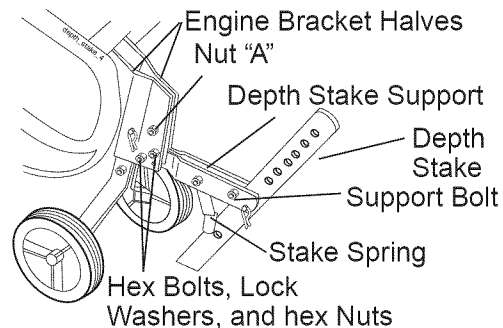
7. Cut cable ties securing tiller to skid. Remove tiller from skid by pulling backwards.

8. Remove screws securing depth stake to skid and discard the screws.



## INSTALL DEPTH STAKE ASSEMBLY

1. Loosen nut "A".
2. Insert stake support between engine bracket halves with stake spring down.
3. Bolt stake support to engine brackets with bolts, lock washers and nuts. Tighten securely. Tighten nut "A".
4. Depth stake must move freely. If it does not, loosen support bolt.



## HANDLE HEIGHT

- Handle height may be adjusted to better suit operator. (See "HANDLE HEIGHT" in the Service and Adjustments section of this manual).

## TILLING WIDTH

- Tilling width may be adjusted to better handle your tilling conditions (See "TINE ARRANGEMENT" in the Service and Adjustments section of this manual).

## TINE OPERATION

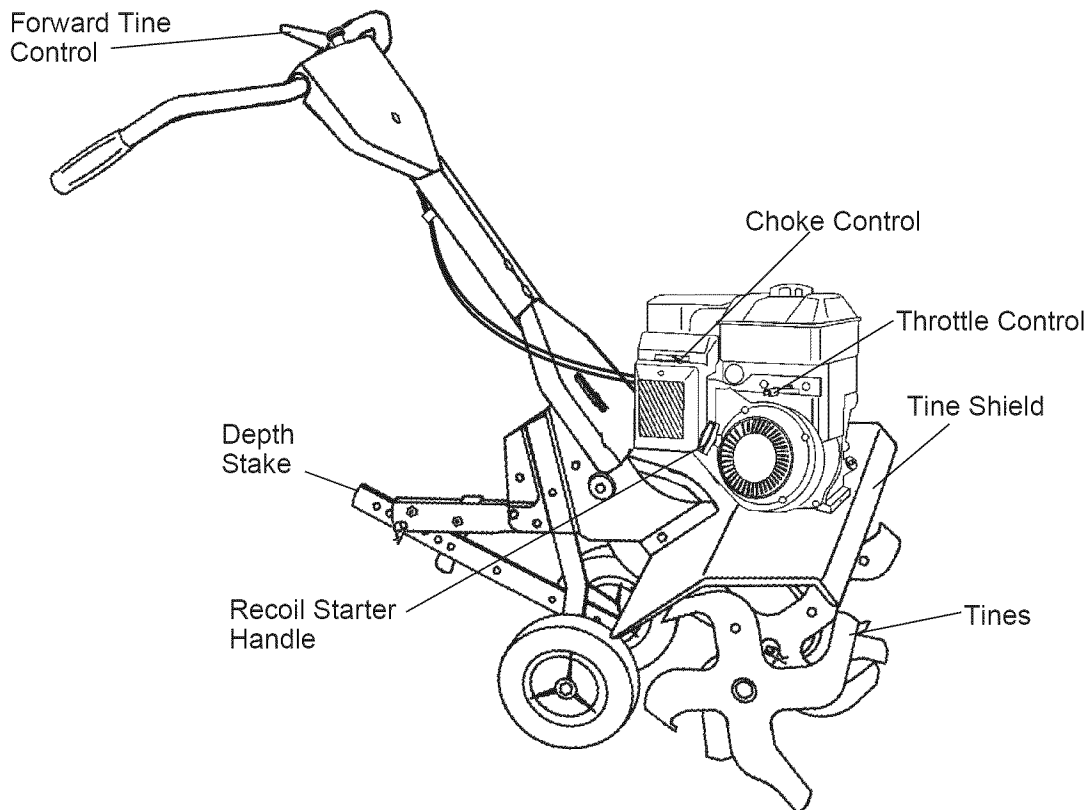
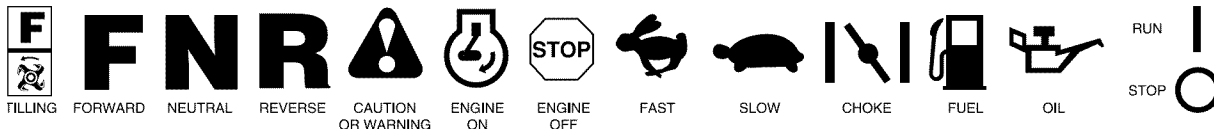
- Check tine operation before first use. (See "TINE OPERATION CHECK" in the Service and Adjustments section of this manual).

# OPERATION

## KNOW YOUR TILLER

READ THIS OWNER'S MANUAL AND SAFETY RULES BEFORE OPERATING YOUR TILLER

Compare the illustrations with your tiller to familiarize yourself with the locations of various controls and adjustments. Save this manual for future reference.



---

Our tillers conform to the safety standards of the American National Standards Institute.

---

**CHOKE CONTROL** - Used when starting a cold engine.

**DEPTH STAKE** - Controls forward speed and the depth at which tiller will dig.

**FORWARD TINE CONTROL** - Engages tines in forward direction.

**RECOIL STARTER HANDLE** - Used to start the engine.

**THROTTLE CONTROL** - Used to control engine speed.



The operation of any tiller can result in foreign objects thrown into the eyes, which can result in severe eye damage. Always wear safety glasses or eye shields before starting your tiller and while tilling. We recommend standard safety glasses or a wide vision safety mask worn over spectacles.

## HOW TO USE YOUR TILLER

Know how to operate all controls before adding fuel and oil or attempting to start engine.

### STOPPING TINES

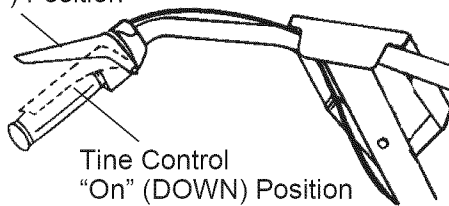
- Release tine control to stop movement.

### ENGINE

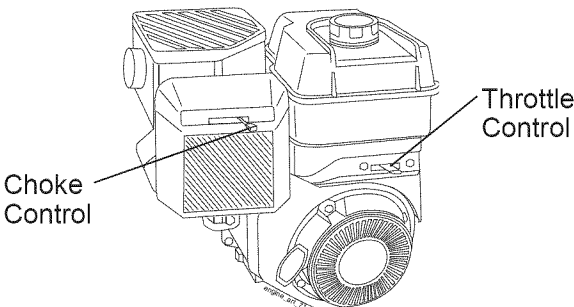
- Move throttle control to "STOP" position.

**NOTE:** Never use choke to stop engine.

Tine Control  
"Off" (UP) Position



Tine Control  
"On" (DOWN) Position



### TINE OPERATION

- Squeeze tine control to handle.

### TILLING

The speed and depth of tilling is regulated by the position of the depth stake and wheel height.

The depth stake should always be below the wheels for digging. It serves as a brake to slow the tiller's forward motion to enable the tines to penetrate the ground. Also, the more the depth stake is lowered into the ground the deeper the tines will dig.

### DEPTH STAKE

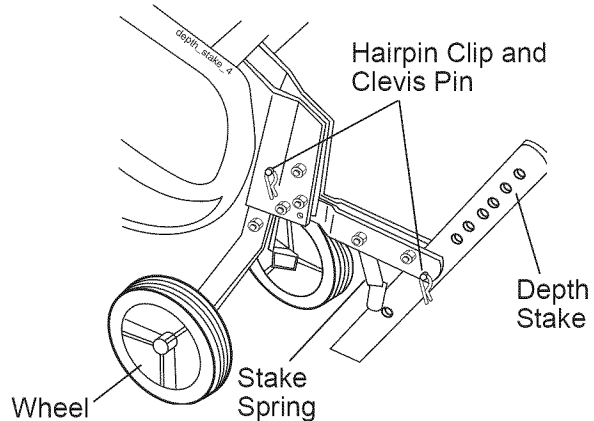
Adjust depth stake by removing the hairpin clip and clevis pin. Change depth stake to desired position. Replace the clevis pin and hairpin clip.

- For normal tilling, set depth stake at the second or third hole from the top.

### WHEELS

Adjust wheels by removing the hairpin clip and clevis pin. Change wheel position. Replace the hairpin clip and clevis pin.

- For normal tilling, set wheels at the second or third hole from the top.



### TO TRANSPORT

**CAUTION:** Before lifting or transporting, allow tiller engine and muffler to cool. Disconnect spark plug wire. Drain gasoline from fuel tank.

### AROUND THE YARD

1. Tip depth stake forward until it is held by the stake spring.
2. Push tiller handles down, raising tines off the ground.
3. Push or pull tiller to desired location.

### AROUND TOWN

1. Disconnect spark plug wire.
2. Drain fuel tank.
3. Transport in upright position to prevent oil leakage.

### BEFORE STARTING ENGINE

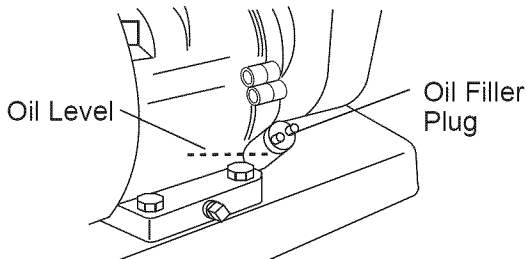
**IMPORTANT:** Be very careful not to allow dirt to enter the engine when checking or adding oil or fuel. Use clean oil and fuel and store in approved, clean, covered containers. Use clean fill funnels.

### FILL ENGINE WITH OIL

1. Remove hangtag from engine.
2. With engine level, remove engine oil filler plug.
3. Fill engine with oil to point of overflowing. For approximate capacity see "PRODUCT SPECIFICATIONS" on page 4 of this manual. All oil must meet A.P.I. Service Classification SG-SL.



4. Tilt tiller back on its wheels and then re-level.
  5. With engine level, refill to point of overflowing if necessary. Replace oil filler plug.
- For cold weather operation you should change oil for easier starting (See "OIL VISCOSITY CHART" in the Maintenance section of this manual).
  - To change engine oil, see the Maintenance section of this manual.



### ADD GASOLINE

- Fill fuel tank to bottom of filler neck. Do not overfill. Use fresh, clean, regular unleaded gasoline with a minimum of 87 octane. (Use of leaded gasoline will increase carbon and lead oxide deposits and reduce valve life). Do not mix oil with gasoline. Purchase fuel in quantities that can be used within 30 days to assure fuel freshness.

**CAUTION:** Fill to within 1/2 inch of top of fuel tank to prevent spills and to allow for fuel expansion. If gasoline is accidentally spilled, move machine away from area of spill. Avoid creating any source of ignition until gasoline vapors have disappeared.

Wipe off any spilled oil or fuel. Do not store, spill or use gasoline near an open flame.

**IMPORTANT:** When operating in temperatures below 32°F (0°C), use fresh, clean winter grade gasoline to help insure good cold weather starting.

**CAUTION:** Alcohol blended fuels (called gasohol or using ethanol or methanol) can attract moisture which leads to separation and formation of acids during storage. Acidic gas can damage the fuel system of an engine while in storage. To avoid engine problems, the fuel system should be emptied before storage of 30 days or longer. Drain the gas tank, start the engine and let it run until the fuel lines and carburetor are empty. Use fresh fuel next season. See Storage Instructions for additional information. Never use engine or carburetor cleaner products in the fuel tank or permanent damage may occur.

### TO START ENGINE

**CAUTION:** Keep tine control in "OFF" position when starting engine. When starting engine for the first time or if engine has run out of fuel, it will take extra pulls of the recoil starter to move fuel from the tank to the engine.

1. Make sure spark plug wire is properly connected.
2. Place throttle control in "FAST" position.
3. Move choke control to full "CHOKE" position. Grasp recoil starter handle with one hand and grasp tiller handle with other hand. Pull rope out slowly until engine reaches start of compression cycle (rope will pull slightly harder at this point).
4. Pull recoil starter handle quickly. Do not let starter handle snap back against starter. Repeat if necessary.

**NOTE:** If engine fires but does not start, move choke control to half choke position. Pull recoil starter handle until engine starts.

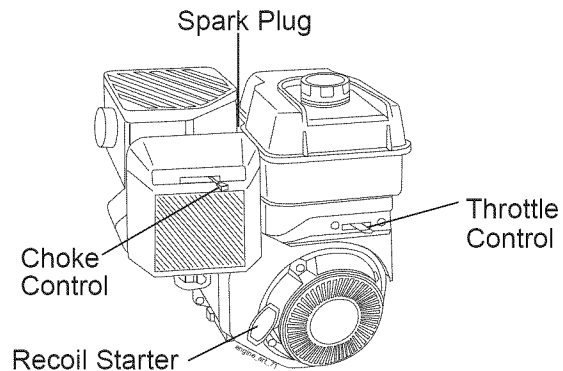
5. When engine starts, slowly move choke control to "RUN" position as engine warms up.

**NOTE:** A warm engine requires less choking to start.

6. Move throttle control to desired running position.
7. Allow engine to warm up for a few minutes before engaging tines.

**NOTE:** If at a high altitude (3000 feet) or in cold temperatures (below 32°F), the carburetor fuel mixture may need to be adjusted for best engine performance. See "TO ADJUST CARBURETOR" in the Service and Adjustments section of this manual.

**NOTE:** If engine does not start, see troubleshooting points.



## BREAKING IN YOUR TILLER

Break-in your belt(s), pulleys and tine control before you actually begin tilling.

- Start engine, tip tines off ground by pressing handles down and engage tine control to start tine rotation. Allow tines to rotate for five minutes.
- Check tine operation and adjust if necessary. See "TINE OPERATION CHECK" in the Service and Adjustments section of this manual.

## TILLING HINTS

**CAUTION:** Until you are accustomed to handling your tiller, start actual field use with throttle in slow position.

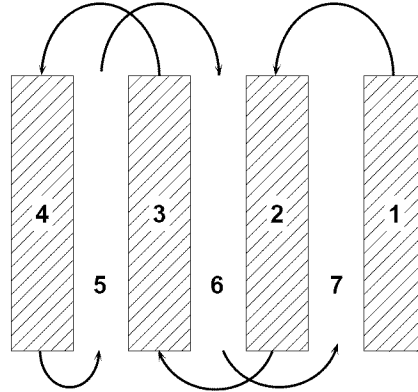
To help tiller move forward, lift up the handles slightly (thus lifting depth stake out of ground). To slow down the tiller, press down on handles.

If you are straining or tiller is shaking, the wheels and depth stake are not set properly in the soil being tilled. The proper setting of the wheels and depth stake is through trial and error and depends upon the soil condition. (The harder or wetter the ground, the slower the engine and tine speed needed. Under these poor conditions, at fast speed the tiller will run and jump over the ground).

A properly adjusted tiller will dig with little effort from the operator.

- Tilling is digging into, turning over, and breaking up packed soil before planting. Loose, unpacked soil helps root growth. Best tilling depth is 4"-6". A tiller will also clear the soil of unwanted vegetation. The decomposition of this vegetable matter enriches the soil. Depending on the climate (rainfall and wind), it may be advisable to till the soil at the end of the growing season to further condition the soil.
- Soil conditions are important for proper tilling. Tines will not readily penetrate dry, hard soil which may contribute to excessive bounce and difficult handling of your tiller. Hard soil should be moistened before tilling; however, extremely wet soil will "ball-up" or clump during tilling. Wait until the soil is less wet in order to achieve the best results. When tilling in the fall, remove vines and long grass to prevent them from wrapping around the tine shaft and slowing your tilling operation.

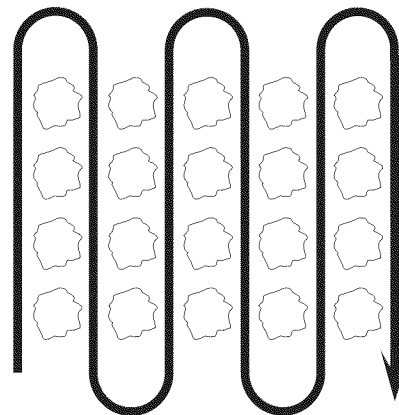
- You will find tilling much easier if you leave a row untilled between passes. Then go back between tilled rows. There are two reasons for doing this. First, wide turns are much easier to negotiate than about-faces. Second, the tiller won't be pulling itself, and you, toward the row next to it.
- Set depth stake and wheel height for shallow tilling when working extremely hard soil or sod. Then work across the first cuts at normal depth.



## CULTIVATING

Cultivating is destroying the weeds between rows to prevent them from robbing nourishment and moisture from the plants. At the same time, breaking up the upper layer of soil crust will help retain moisture in the soil. Best digging depth is 1"-3".

- You will probably not need to use the depth stake. Begin by tipping the depth stake forward until it is held by the stake spring.
- Cultivate up and down the rows at a speed which will allow tines to uproot weeds and leave the ground in rough condition, promoting no further growth of weeds and grass.



# MAINTENANCE

<b>MAINTENANCE SCHEDULE</b>  FILL IN DATES AS YOU COMPLETE REGULAR SERVICE	BEFORE EACH USE	EVERY 5 HOURS	EVERY 25 HOURS	EVERY 50 HOURS	SERVICE DATES															
Check Engine Oil Level	✓	✓																		
Change Engine Oil				✓ <sub>1,2</sub>																
Oil Pivot Points		✓																		
Inspect Spark Arrester / Muffler				✓																
Inspect Air Screen	✓																			
Clean or Replace Air Cleaner Cartridge				✓ <sub>2</sub>																
Clean Engine Cylinder Fins				✓																
Replace Spark Plug				✓																

1 - Change more often when operating under a heavy load or in high ambient temperatures.  
 2 - Service more often when operating in dirty or dusty conditions.

## GENERAL RECOMMENDATIONS

The warranty on this tiller does not cover items that have been subjected to operator abuse or negligence. To receive full value from the warranty, the operator must maintain tiller as instructed in this manual. Some adjustments will need to be made periodically to properly maintain your tiller. All adjustments in the Service and Adjustments section of this manual should be checked at least once each season.

- Once a year you should replace the spark plug, clean or replace air filter, and check tines and belts for wear. A new spark plug and clean air filter assure proper air-fuel mixture and help your engine run better and last longer.

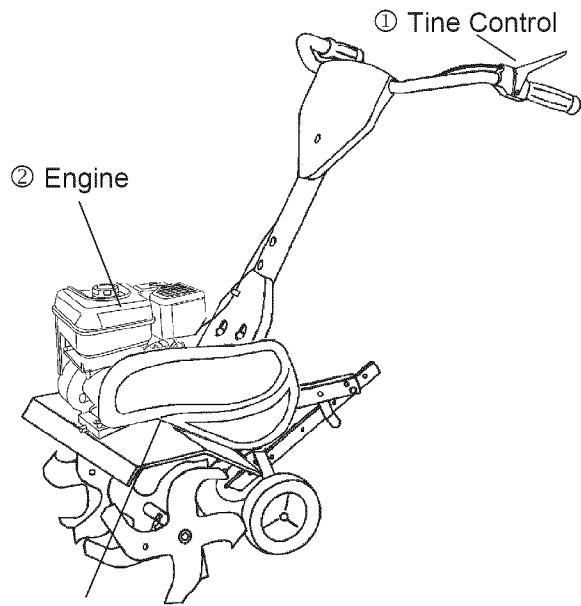
## BEFORE EACH USE

1. Check engine oil level.
2. Check tine operation.
3. Check for loose fasteners.

## LUBRICATION

Keep unit well lubricated (See "LUBRICATION CHART").

## LUBRICATION CHART



① Idler Arm

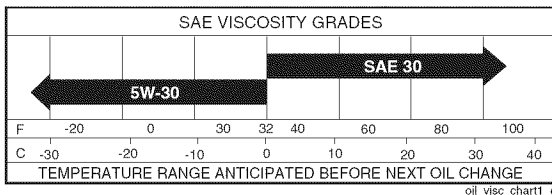
① SAE 30 OR 10W-30 MOTOR OIL

② Refer to Maintenance "ENGINE" section

**CAUTION:** Disconnect spark plug wire before performing any maintenance (except carburetor adjustment) to prevent accidental starting of engine. Prevent fires! Keep the engine free of grass, leaves, spilled oil, or fuel. Remove fuel from tank before tipping unit for maintenance. Clean muffler area of all grass, dirt, and debris. Do not touch hot muffler or cylinder fins as contact may cause burns.

## ENGINE LUBRICATION

Use only high quality detergent oil rated with API service classification SG-SL. Select the oil's SAE viscosity grade according to your expected temperature.



**NOTE:** Although multi-viscosity oils (5W-30, 10W-30, etc.) improve starting in cold weather, these multi-viscosity oils will result in increased oil consumption when used above 32°F (0°C). Check your engine oil level more frequently to avoid possible engine damage from running low on oil.

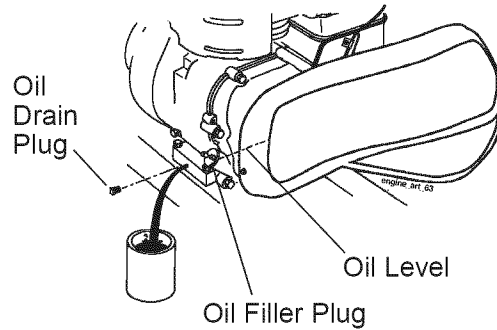
Change the oil after every 50 hours of operation or at least once a year if the tiller is not used for 50 hours in one year. Check the crankcase oil level before starting the engine and after each five (5) hours of continuous use. Add SAE 30 motor oil or equivalent. Tighten oil filler plug securely each time you check the oil level.

### TO CHANGE ENGINE OIL

Determine temperature range expected before oil change. All oil must meet API service classification SG-SL.

- Be sure tiller is on level surface.
  - Oil will drain more freely when warm.
  - Catch oil in a suitable container.
1. Remove drain plug.
  2. Tip tiller forward to drain oil.
  3. After oil has drained completely, replace oil drain plug and tighten securely.
  4. Remove oil filler plug. Be careful not to allow dirt to enter the engine.

5. Refill engine with oil. See "FILL ENGINE WITH OIL" in the Operation section of this manual.



### AIR CLEANER

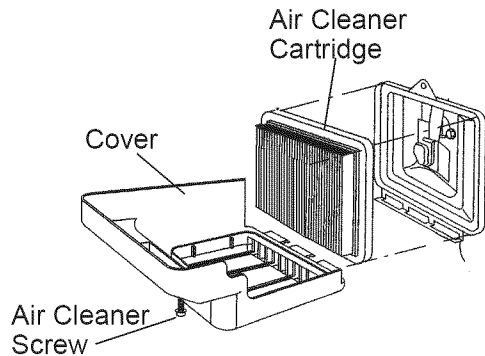
Service air cleaner cartridge every twenty-five hours, more often if engine is used in very dusty conditions.

1. Loosen air cleaner screw.
2. Remove air cleaner cover.
3. Carefully remove air cleaner cartridge. Be careful. Do not allow dirt or debris to fall into carburetor.
4. Clean by tapping gently on a flat surface.

**NOTE:** If very dirty or damaged, replace cartridge.

5. Clean and replace cover. Tighten screw securely.

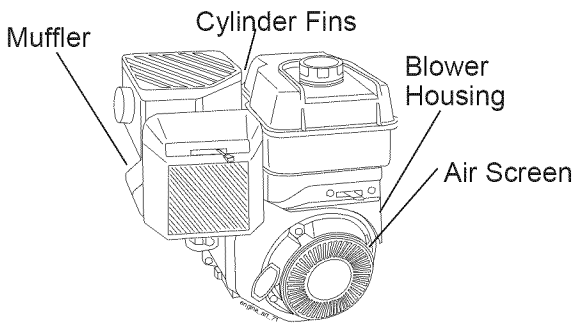
**CAUTION:** Petroleum solvents, such as kerosene, are not to be used to clean cartridge. They may cause deterioration of the cartridge. Do not oil cartridge. Do not use pressurized air to clean or dry cartridge.



## COOLING SYSTEM

Your engine is air cooled. For proper engine performance and long life keep your engine clean.

- Clean air screen frequently using a stiff-bristled brush.
- Remove blower housing and clean as necessary.
- Keep cylinder fins free of dirt and chaff.



## MUFFLER

Do not operate tiller without muffler. Do not tamper with exhaust system. Damaged mufflers or spark arresters could create a fire hazard. Inspect periodically and replace if necessary. If your engine is equipped with a spark arrester screen assembly, remove every 50 hours for cleaning and inspection. Replace if damaged.

## SPARK PLUG

Replace spark plugs at the beginning of each tilling season or after every 50 hours of use, whichever comes first. Spark plug type and gap setting are shown in "PRODUCT SPECIFICATIONS" on page 4 of this manual.

## TRANSMISSION

Your transmission is sealed and will not require lubrication unless serviced.

## CLEANING

Do not clean your tiller when the engine and transmission are hot. We do not recommend using pressurized water (garden hose, etc.) to clean your unit unless the gasket area around the transmission and the engine muffler, air filter and carburetor are covered to keep water out. Water in engine will shorten the useful life of your tiller.

- Clean engine, wheels, finish, etc. of all foreign matter.
- Keep finished surfaces and wheels free of all gasoline, oil, etc.
- Protect painted surfaces with automotive type wax.

# SERVICE AND ADJUSTMENTS

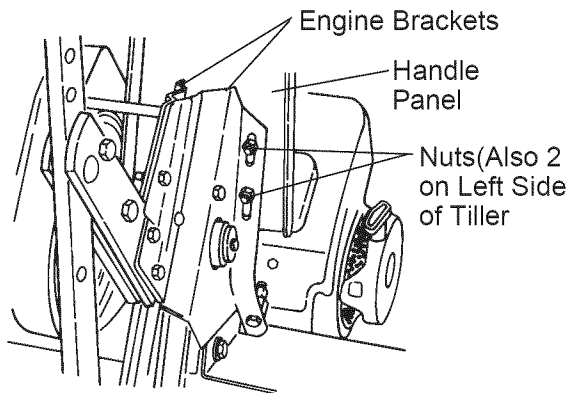
**CAUTION:** Disconnect spark plug wire from spark plug and place wire where it cannot come into contact with plug.

## TILLER

### TO ADJUST HANDLE HEIGHT

Factory assembly has provided lowest handle height. Select handle height best suited for your tilling conditions. Handle height will be different when tiller digs into soil.

1. If a higher handle height is desired, loosen the four nuts securing handle panel to engine brackets.
2. Slide handle panel to desired location.
3. Tighten the four nuts securely.



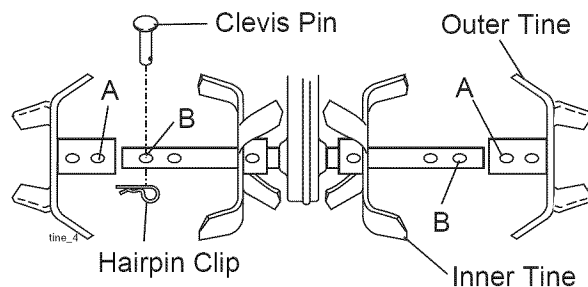
### TINE ARRANGEMENT

Your outer tines can be assembled in several different ways to suit your tilling or cultivating needs.

**CAUTION:** Tines are sharp. Wear gloves or other protection when handling tines.

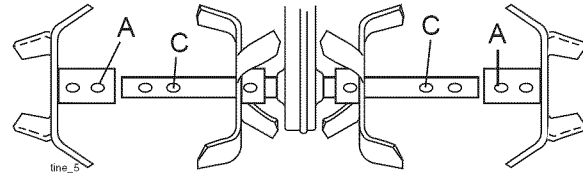
#### NORMAL TILLING - 24" PATH

- Assemble holes "A" in tine hubs to holes "B" in tine shaft.



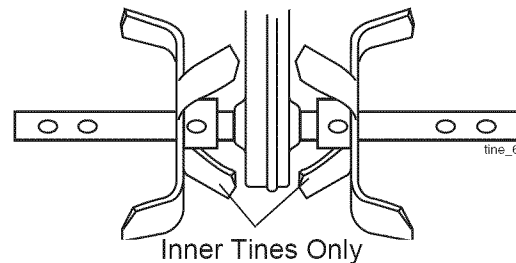
#### MID-WIDTH TILLING - 22" PATH

- Assemble holes "A" in tine hubs to holes "C" in tine shaft.



#### NARROW TILLING/CULTIVATING - 12-3/4" PATH

- Remove outer tines.



**NOTE:** When reassembling outer tines, be sure right tine assembly (marked "R") and left tine assembly (marked "L") are mounted to correct side of tine shaft.

### TINE OPERATION CHECK

**WARNING:** Disconnect spark plug wire from spark plug to prevent starting while checking tine operation.

For proper tine operation, tine control lever must be against control body and all slack removed from inner wire of control cable when control is in the "OFF" (up) position. If lever and cable are loose, loosen cable clip at lower end of cable. Pull up on cable to remove slack, without extending spring on end of cable, and retighten cable clip.

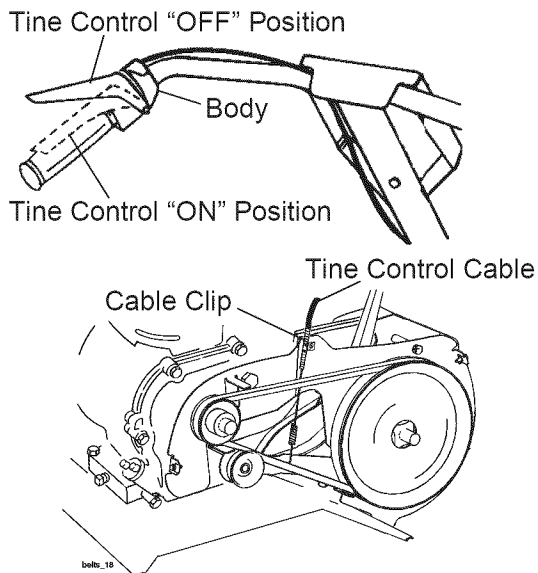
#### FINAL CHECK "OFF" POSITION

1. With tine control "OFF" (up), push down on handle to raise tines off the ground.
2. Slowly pull recoil starter handle while observing tines. Tines should not rotate.
3. If tines rotate, inner wire of control cable is too tight which is extending lower spring and engaging tines. Loosen cable clip and push down on cable only enough to relieve spring tension. Tighten cable clip.
4. Recheck in "OFF" position and adjust if necessary.

## FINAL CHECK "ON" POSITION

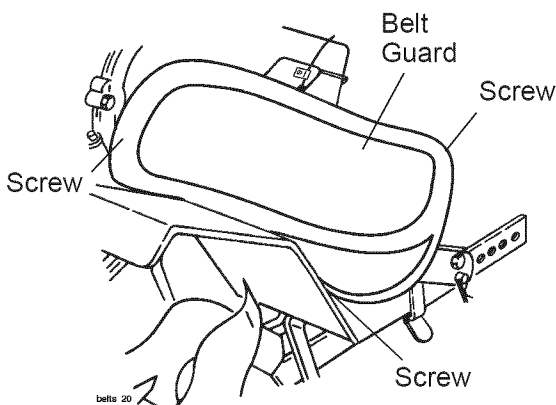
5. With tine control "ON" (held down to handle) push down on handle to raise tines off the ground.
6. Slowly pull recoil starter handle while observing tines. Tines should rotate forward.
7. If tines do not rotate, inner wire of control cable is too loose. Loosen cable clip and pull cable up to remove slack and retighten clip.
8. Recheck in "ON" position and adjust if necessary.

**NOTE:** If "ON" position check required adjustment, recheck "OFF" position adjustment to insure tines do not rotate when control is "OFF" (up).



## TO REMOVE BELT GUARD

1. Remove screws from side of belt guard.
2. Pull belt guard out and away from unit.
3. Replace belt guard by reversing above procedure. Be sure slot in bottom of belt guard is under head of tine shield bolt and all nuts are tightened securely.



## TO REPLACE V-BELT

Replace V-belt if it has stretched considerably or if it has cracks or frayed edges.

1. Belt guard must be removed to service belt. See "TO REMOVE BELT GUARD" in this section of manual.

## BELT REMOVAL

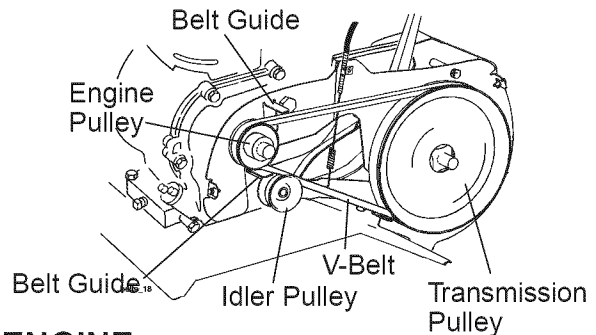
2. Remove V-belt from transmission pulley first and then from engine pulley.

## BELT REPLACEMENT

3. Install new V-belt to engine pulley first then to transmission pulley. Be sure belt is positioned on inside groove of both pulleys, inside all belt guides and rests on idler pulley.

## CHECK TINE OPERATION

4. See "TINE OPERATION CHECK" in this section of manual.
5. Replace belt guard



## ENGINE

Maintenance, repair, or replacement of the emission control devices and systems, which are being done at the customer's expense, may be performed by any non-road engine repair establishment or individual. Warranty repairs must be performed by an authorized engine manufacturer's service outlet.

## TO ADJUST CARBURETOR

The carburetor has been preset at the factory and adjustment should not be necessary. However, engine performance can be affected by differences in fuel, temperature, altitude or load. If the carburetor does need adjustment, contact your nearest authorized service center/department

**IMPORTANT:** Never tamper with the engine governor, which is factory set for proper engine speed. Overspeeding the engine above the factory high speed setting can be dangerous. If you think the engine-governed high speed needs adjusting, contact your nearest Sears or other qualified service center which has the proper equipment and experience to make any necessary adjustments.

## STORAGE

Immediately prepare your tiller for storage at the end of the season or if the unit will not be used for 30 days or more.

**⚠Warning:** Never store the tiller with gasoline in the tank inside a building where fumes may reach an open flame or spark. Allow the engine to cool before storing in any enclosure.

### TILLER

1. Clean entire tiller (See "CLEANING" in the Maintenance section of this manual).
2. Inspect and replace belts, if necessary (See belt replacement instructions in the Service and Adjustments section of this manual).
3. Lubricate as shown in the Maintenance section of this manual.
4. Be sure that all nuts, bolts and screws are securely fastened. Inspect moving parts for damage, breakage and wear. Replace if necessary.
5. Touch up all rusted or chipped paint surfaces; sand lightly before painting.

### ENGINE

#### FUEL SYSTEM

**IMPORTANT:** It is important to prevent gum deposits from forming in essential fuel system parts such as the carburetor, fuel filter, fuel hose, or tank during storage. Also, alcohol blended fuels (called gasohol or using ethanol or methanol) can attract moisture which leads to separation and formation of acids during storage. Acidic gas can damage the fuel system of an engine while in storage.

- Empty the fuel tank by starting the engine and letting it run until the fuel lines and carburetor are empty.
- Never use engine or carburetor cleaner products in the fuel tank or permanent damage may occur.
- Use fresh fuel next season.

**NOTE:** Fuel stabilizer is an acceptable alternative in minimizing the formation of fuel gum deposits during storage. Add stabilizer to gasoline in fuel tank or storage container. Always follow the mix ratio found on stabilizer container. Run engine at least 10 minutes after adding stabilizer to allow the stabilizer to reach the carburetor. Do not empty the gas tank and carburetor if using fuel stabilizer.

#### ENGINE OIL

Drain oil (with engine warm) and replace with clean oil. (See "ENGINE" in the Maintenance section of this manual).

#### CYLINDER

1. Remove spark plug.
2. Pour 1 ounce (29 ml) of oil through spark plug hole into cylinder.
3. Pull starter handle slowly several times to distribute oil.
4. Replace with new spark plug.

#### OTHER

- Do not store gasoline from one season to another.
- Replace your gasoline can if your can starts to rust. Rust and/or dirt in your gasoline will cause problems.
- If possible, store your unit indoors and cover it to give protection from dust and dirt.
- Cover your unit with a suitable protective cover that does not retain moisture. Do not use plastic. Plastic cannot breathe which allows condensation to form and will cause your unit to rust.

**IMPORTANT:** Never cover tiller while engine and exhaust areas are still warm.



## TROUBLESHOOTING CHART:

See appropriate section in manual unless directed to Sears service center

PROBLEM	CAUSE	CORRECTION
<b>Will not start</b>	<ol style="list-style-type: none"><li>1. Out of fuel.</li><li>2. Engine not "CHOKED" properly.</li><li>3. Engine flooded.</li><li>4. Dirty air cleaner.</li><li>5. Water in fuel.</li><li>6. Clogged fuel tank.</li><li>7. Loose spark plug wire.</li><li>8. Bad spark plug or improper gap.</li><li>9. Carburetor out of adjustment.</li></ol>	<ol style="list-style-type: none"><li>1. Fill fuel tank.</li><li>2. See "TO START ENGINE" in the Operation section.</li><li>3. Wait several minutes before attempting to start.</li><li>4. Clean or replace air cleaner cartridge.</li><li>5. Empty fuel tank and carburetor, and refill tank with fresh gasoline.</li><li>6. Remove fuel tank and clean.</li><li>7. Make sure spark plug wire is seated properly on plug.</li><li>8. Replace spark plug or adjust gap.</li><li>9. Make necessary adjustments.</li></ol>
<b>Hard to start</b>	<ol style="list-style-type: none"><li>1. Throttle control not set properly.</li><li>2. Dirty air cleaner.</li><li>3. Bad spark plug or improper gap.</li><li>4. Stale or dirty fuel.</li><li>5. Loose spark plug wire.</li><li>6. Carburetor out of adjustment.</li></ol>	<ol style="list-style-type: none"><li>1. Place throttle control in "FAST" position.</li><li>2. Clean or replace air cleaner cartridge.</li><li>3. Replace spark plug or adjust gap.</li><li>4. Empty fuel tank and refill tank with fresh clean gasoline.</li><li>5. Make sure spark plug wire is seated properly on plug.</li><li>6. Make necessary adjustments.</li></ol>
<b>Loss of power</b>	<ol style="list-style-type: none"><li>1. Engine is overloaded.</li><li>2. Dirty air cleaner.</li><li>3. Low oil level/dirty oil.</li><li>4. Faulty spark plug.</li><li>5. Oil in fuel.</li><li>6. Stale or dirty fuel.</li><li>7. Water in fuel.</li><li>8. Clogged fuel tank.</li><li>9. Spark plug wire loose.</li><li>10. Dirty engine air screen.</li><li>11. Dirty/clogged muffler.</li><li>12. Carburetor out of adjustment.</li><li>13. Poor compression.</li></ol>	<ol style="list-style-type: none"><li>1. Set depth stake and wheels for shallower tilling.</li><li>2. Clean or replace air cleaner cartridge.</li><li>3. Check oil level/change oil.</li><li>4. Clean and regap or change spark plug.</li><li>5. Empty and clean fuel tank and refill, and clean carburetor.</li><li>6. Empty fuel tank and refill tank with fresh clean gasoline.</li><li>7. Empty fuel tank and carburetor, and refill tank with fresh gasoline.</li><li>8. Remove fuel tank and clean.</li><li>9. Connect and tighten spark plug wire.</li><li>10. Clean engine air screen.</li><li>11. Clean/replace muffler.</li><li>12. Make necessary adjustments.</li><li>13. Contact a Sears or other qualified service center.</li></ol>

## TROUBLESHOOTING CHART:

See appropriate section in manual unless directed to Sears service center

PROBLEM	CAUSE	CORRECTION
Engine overheats	<ol style="list-style-type: none"><li>1. Low oil level/dirty oil.</li><li>2. Dirty engine air screen.</li><li>3. Dirty engine.</li><li>4. Partially plugged muffler.</li><li>5. Improper carburetor adjustment.</li></ol>	<ol style="list-style-type: none"><li>1. Check oil level/change oil.</li><li>2. Clean engine air screen.</li><li>3. Clean cylinder fins, airscreen, muffler area.</li><li>4. Remove and clean muffler.</li><li>5. Adjust carburetor to richer position.</li></ol>
Excessive bounce/difficult tilling	<ol style="list-style-type: none"><li>1. Ground too dry and hard.</li><li>2. Wheels and depth stake incorrectly adjusted.</li></ol>	<ol style="list-style-type: none"><li>1. Moisten ground or wait for more favorable soil conditions.</li><li>2. Adjust wheels and depth stake.</li></ol>
Soil balls up or clumps	<ol style="list-style-type: none"><li>1. Ground too wet.</li></ol>	<ol style="list-style-type: none"><li>1. Wait for more favorable soil conditions.</li></ol>
Engine runs but tiller won't move	<ol style="list-style-type: none"><li>1. Tine control is not engaged.</li><li>2. V-belt not correctly adjusted.</li><li>3. V-belt is off pulley(s).</li></ol>	<ol style="list-style-type: none"><li>1. Engage tine control.</li><li>2. Inspect/adjust V-belt.</li><li>3. Inspect V-belt.</li></ol>
Engine runs but labors when tilling	<ol style="list-style-type: none"><li>1. Tilling too deep.</li><li>2. Throttle control not properly adjusted.</li><li>3. Carburetor out of adjustment.</li></ol>	<ol style="list-style-type: none"><li>1. Set depth stake for shallower tilling.</li><li>2. Check throttle control setting.</li><li>3. Make necessary adjustments.</li></ol>

## NEED MORE HELP?

You'll find the answer and more on [managemyhome.com](http://managemyhome.com) – for free!

- Find this and all your other product manuals online.
- Get answers from our team of home experts.
- Get a personalized maintenance plan for your home.
- Find information and tools to help with home projects.

**manage my home**

brought to you by Sears

## TABLA DE CONTENIDOS

Garantía.....	19	Mantenimiento.....	28
Reglas de Seguridad.....	19	Servicio y Ajustes.....	30
Especificaciones del producto.....	21	Almacenamiento.....	33
Montaje/Pre Operación.....	23	Identificación de Problemas.....	34
Operación.....	24	Vea el manual Inglés del dueño ....	Back Cover
Programa De Mantenimiento.....	28		

## GARANTIA

### GARANTÍA LIMITADA DE UNO AÑO PARA LA CULTIVADORA CRAFTSMAN

Por un (1) año, a partir de la fecha de compra, cuando esta Cultivadora Craftsman se mantenga, lubrique y afine según las instrucciones para la operación y el mantenimiento en el manual del dueño, Sears reparará, gratis, todo defecto en el material y la mano de obra.

Esta Garantía no cubre:

- Artículos que se desgastan durante el uso normal tales como los brazos, las bujías, los filtros de aire y las correas.
- Reparaciones necesarias debido al abuso o a la negligencia del operador, incluyéndose a los cigüeñales doblados y a la falta de mantenimiento del equipo según las instrucciones que se incluyen en el manual del dueño.
- Si la Cultivadora Craftsman se usa para fines de arriendo, esta garantía se aplica solamente por treinta (30) días a partir de la fecha de compra.

El Servicio de Garantía esta disponible al devolver la cultivadora Craftsman al centro/departamento de servicio Sears más cercano en los Estados Unidos. Esta Garantía se aplica solamente mientras el producto este en uso en los Estados Unidos.

Esta Garantía le otorga derechos legales específicos, y puede que también tenga otros derechos que varían de estado a estado.

SEARS, ROEBUCK AND CO., D/817WA, HOFFMAN ESTATES, IL 60179 U.S.A.

## REGLAS DE SEGURIDAD

**IMPORTANTE:** Esta Maquina cortadora es capaz de amputar las manos y los pies y de lanzar objetos. si no se observan las instrucciones de seguridad siguientes se pueden producir lesiones graves o la muerte.

### ENTRENAMIENTO

- Lea el Manual del Dueño cuidadosamente. Familiarícese completamente con los controles y con el uso adecuado del equipo. Sepa cómo parar la unidad y desenganchar los controles rápidamente.
- Nunca permita que los niños operen el equipo. Nunca permita que los adultos operen el equipo sin los conocimientos adecuados.
- Mantenga el área de operación despejada de personas, especialmente niños pequeños y animales domésticos.

### PREPARACIÓN

- Inspeccione cuidadosamente el área en donde se va usar el equipo y remueva los objetos extraños.
- Desenganche todos los embragues y cambie a neutro antes de hacer arrancar el motor.
- No opere el equipo sin usar ropa exterior adecuada. Use zapatos que mejoren el equilibrio en superficies resbalosas.

- Maneje el combustible con cuidado pues es muy inflamable.
- Use un envase de combustible aprobado.
- Nunca añada combustible a un motor en funcionamiento o caliente.
- Llene el estanque de combustible afuera con mucho cuidado. Nunca llene el estanque de combustible en un recinto cerrado.
- Vuelva a colocar la tapa del depósito de gasolina en forma segura y limpie el combustible derramado antes de volver a arrancar.
- Use cordones de extensión y receptáculos, según las especificaciones del fabricante, para todas las unidades con motores de impulsión o con motores de arranque eléctrico.
- Nunca trate de hacer ningún ajuste mientras que el motor esté funcionando (excepto en los casos específicamente recomendados por el fabricante).

# REGLAS DE SEGURIDAD

## OPERACIÓN

- No ponga ni las manos ni los pies cerca o debajo de las piezas rotatorias.
- Tenga mucho cuidado cuando opere o cruce entradas para automóviles de ripio, senderos o caminos. Esté alerta en lo que se refiere a los peligros escondidos o al tráfico. No lleve pasajeros.
- Después de pegarle a un objeto extraño, pare el motor, remueva el alambre de la bujía, inspeccione la cultivadora cuidadosamente, para verificar si hay daños, y repare el daño antes de volver a arrancar y operar la cultivadora.
- Tenga cuidado para evitar resbalarse o caerse.
- Si la unidad empieza a vibrar anormalmente, pare el motor y revísela inmediatamente para verificar la causa. La vibración normalmente es un aviso de problemas.
- Pare el motor cuando abandone la posición de operación.
- Tome todas las precauciones posibles cuando deje la máquina desatendida. Desenganche los brazos, cambie a neutro y pare el motor.
- Antes de limpiar, reparar e inspeccionar, apague el motor y asegúrese que todas las partes en movimiento se han detenido. Desconecte el alambre de la bujía, y manténgalo alejado de ésta para evitar el arranque por accidente. Desconecte el cordón en los motores eléctricos.
- No haga funcionar el motor en recintos cerrados; los gases de escape son peligrosos.
- Nunca opere la cultivadora sin las protecciones, y las planchas adecuadas y sin los demás dispositivos de seguridad en su lugar.
- Mantenga a los niños y a los animales domésticos alejados.
- No sobrecargue la capacidad de la máquina, tratando de cultivar a mucha profundidad, muy rápido.
- Nunca opere la máquina a altas velocidades en superficies resbalosas. Mire hacia atrás y tenga cuidado cuando retroceda.
- Nunca permita la presencia de espectadores cerca de la unidad.

- Use solamente accesorios y aditamentos para la cultivadora aprobados por el fabricante.
- Nunca opere la cultivadora sin buena visibilidad o luz.
- Tenga cuidado al cultivar en terreno duro. Los brazos pueden quedarse agarrados en el suelo e impulsar a la cultivadora hacia adelante. Si esto sucede, suelte los mangos y no restrinja la máquina.

## MANTENIMIENTO Y ALMACENAMIENTO

- Mantenga los accesorios y aditamentos de la máquina en buenas condiciones para el funcionamiento.
- Revise las clavijas de seguro, los pernos de montaje del motor y otros pernos, a intervalos frecuentes, para verificar si están apretados en forma segura y asegurarse que el equipo esté en buenas condiciones de funcionamiento.
- Nunca guarde la máquina con combustible en el estanque de combustible dentro de un edificio en donde hay fuentes de ignición presentes, tales como calentadores de agua o del ambiente, secadoras de ropa u otros artefactos parecidos. Permita que se enfríe el motor antes de guardarlo en algún lugar cerrado.
- Siempre refiérase a las instrucciones en la guía del operador para ver los detalles de importancia si la cultivadora va a ser guardada por un período de tiempo largo.

**⚠** Busque este símbolo que señala las precauciones de seguridad de importancia. Quiere decir – ¡¡¡ATENCIÓN!!! ¡¡¡ESTE ALERTO!!! SU SEGURIDAD ESTA COMPROMETIDA.

**⚠ PRECAUCIÓN:** Siempre desconecte el alambre de la bujía y póngalo donde no pueda entrar en contacto con la bujía, para evitar el arranque por accidente, durante la preparación, el transporte, el ajuste o cuando se hacen reparaciones.

**⚠ ADVERTENCIA:** El tubo de escape del motor, algunos de sus constituyentes y algunos componentes del vehículo contienen o desprenden productos químicos conocidos en el Estado de California como causa de cáncer y defectos al nacimiento u otros daños reproductivos.

## ESPECIFICACIONES DEL PRODUCTO

Capacidad de gasolina:	3 Cuartos (2.8L) Sin plomo, regular
Aceite (API-SG-SL): (Capacidad:20 oz./0.6L)	SAE 30 Above 32°F/0°C SAE 5w30 Below 32°F/0°C
Bujía:	Champion RC12YC (Abertura: .030"/0.76mm)

**FELICITACIONES** por la compra de su Cultivadora Sears. Ha sido diseñada, planificada y fabricada para darle la mejor confiabilidad y el mejor rendimiento posible.

En el caso de que se encuentre con cualquier problema que no pueda solucionar fácilmente, haga el favor de ponerse en contacto con su centro de servicio cualificado. Sears cuenta con técnicos bien capacitados y competentes con herramientas adecuadas para darle servicio o para reparar su unidad.

Haga el favor de leer y de guardar este manual. Estas instrucciones le permitirán montar y mantener su cultivadora en forma adecuada. Siempre observe las "REGLAS DE SEGURIDAD."

### RESPONSABILIDADES DEL CLIENTE

- Lea y observe las reglas de seguridad.
- Siga un programa regular de mantenimiento, cuidado y uso de su cultivadora.
- Siga las instrucciones descritas en las secciones "Mantenimiento" y "Almacenamiento" de este Manual del Dueño.

**⚠️ ADVERTENCIA:** Esta unidad viene equipada con un motor de combustión interno y no se debe usar sobre, o cerca, de un terreno no desarrollado cubierto de bosques, de arbustos o de césped, a menos que el sistema de escape del motor venga equipado con un amortiguador de chispas que cumpla con las leyes locales o estatales (si existen). Si se usa un amortiguador de chispas, el operador debe mantenerlo en condiciones de trabajo eficientes.

En el estado de California, la ley exige lo anterior (Sección 4442 del "California Public Resources Code" [Decreto de Recursos Públicos de California]). Otros estados pueden contar con otras leyes parecidas. Las leyes federales se aplican en las tierras federales. Su centro de Servicio más cercano tiene disponible amortiguadores de chispas para el silenciador. (Vea la sección de Partes de Repuesto en el manual Inglés del dueño.)

## ACUERDOS DE PROTECCIÓN PARA LA REPARACIÓN

Congratulaciones por su buena compra. Su nuevo producto Craftsman® está diseñado y fabricado para funcionar de modo fiable por muchos años. Pero como todos los productos, puede necesitar alguna reparación de tanto en tanto. En este caso tener un Acuerdo de Protección para la Reparación puede hacerles ahorrar dinero y fastidios.

Compre ahora un Acuerdo de Protección para la Reparación y protéjese de molestias y gastos inesperados.

Un Acuerdo incluye los puntos siguientes:

- **Servicio experto** de nuestros 12.000 especialistas profesionales en la reparación.
- **Servicio ilimitado sin cargo alguno** para las partes y la mano de obra sobre todas las reparaciones garantizadas.
- **Sustitución del producto** si su producto garantizado no puede ser arreglado.
- **Descuento del 10%** sobre el precio corriente del servicio y de las partes relativas al servicio no cubiertas por el acuerdo; también el 10% menos sobre el precio corriente de un control de mantenimiento preventivo.
- **Ayuda rápida por teléfono** – soporte telefónico por parte de un técnico Sears sobre productos que requieren un arreglo en casa, y además una programación sobre los arreglos más convenientes.

Cuando se ha comprado el Acuerdo, basta con una llamada telefónica para programar el servicio. Puede llamar cuando quiera, día y noche o fijar en línea una cita para obtener el servicio. Sears tiene más de 12.000 especialistas profesionales en la reparación, que tienen acceso a más de 4.5 millones de partes y accesorios de calidad.

Este es el tipo de profesionalidad con que puede contar para ayudar a alargar la vida del producto que acaba de comprar, por muchos años. ¡Compre hoy su Acuerdo de Protección para la Reparación!

**Se aplican algunas limitaciones y exclusiones. Para conocer los precios y tener más Información, llame al 1-800-827-6655.**


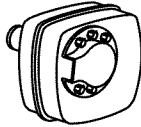
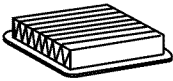
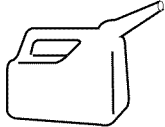


### SERVICIO DE INSTALACIÓN SEARS

*Para la instalación profesional Sears de aparatos de casa, puertas de garaje, calentadores de agua y otros importantes artículos para la casa, en U.S.A llame a 1-800-4-MY-HOME®*





## ACCESORIOS Y ADITAMENTOS

Estos accesorios estaban disponibles cuando se produjo la cultivadora. También están disponibles en la mayoría de las tiendas de Sears y en los centros de servicio. Algunos de estos accesorios tal vez no se apliquen a su cultivadora.

### MOTOR

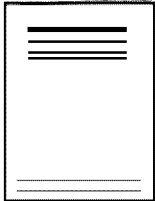

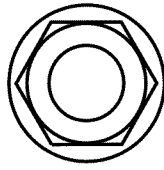

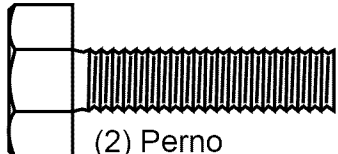
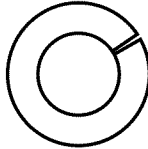
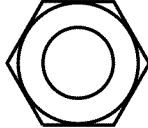
BUJÍA	SILENCIADOR	FILTRO DE AIRE	LATA DE GASOLINA	ACEITE DEL MOTOR	ESTABILIZADOR
					

### MANTENIMIENTO DE LA CULTIVADORA

CORREA	BRAZOS	CLAVIJA DE SEGURO	ABRAZADERA DE HORQUILLA
			

## PIEZAS SIN MONTAR

### CONTENIDO DEL CONJUNTO DE FERRETERÍA

		
(1) Manual	(2) Pernos portadores 5/16-18 UNC x 2-1/2	(2) Tuercas de seguridad de brida 5/16-18 UNC
		
(1) Aceite del motor	(2) Perno hexagonales 5/16-18 x 1-1/4	(2) Arandela de seguridad 5/16
		
		(2) Tuerca hexagonales 5/16-18

# MONTAJE/PRE OPERACIÓN

Su cultivadora nueva ha sido montada en la fábrica, con la excepción de aquellas partes que se dejaron sin montar por razones de envío. Para asegurarse que la cultivadora operará en forma segura y adecuada, todas las partes y los artículos de ferretería que monte tienen que estar apretados en forma segura. Use las herramientas correctas, según sea necesario, para asegurarse de que queden apretadas en forma segura.

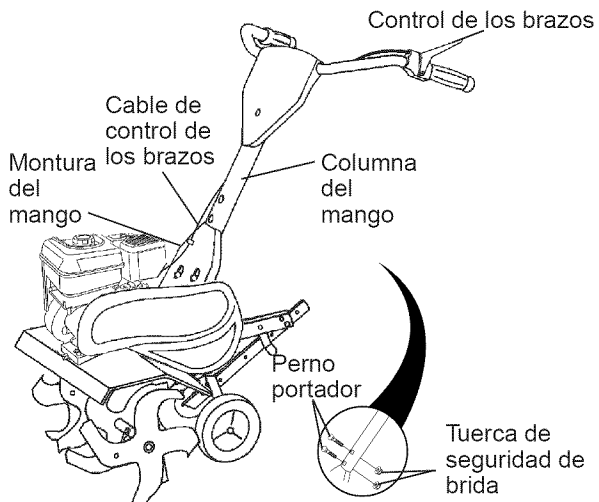
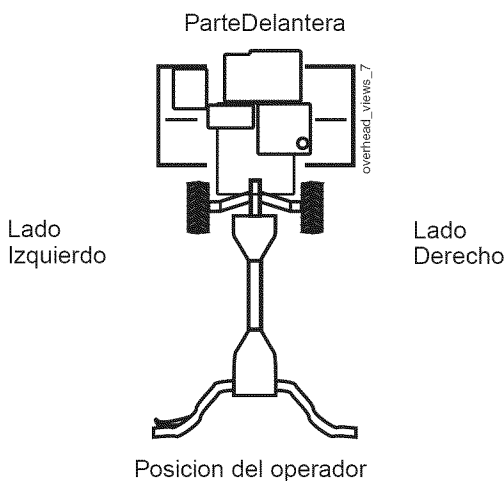
## HERRAMIENTAS NECESARIAS PARA EL MONTAJE

Se le facilitará el montaje si cuenta con un juego de llaves de tubo. Se han enumerado los tamaños estándar de las llaves.

- (1) Cuchillo para todo uso
- (2) Llave de 1/2"

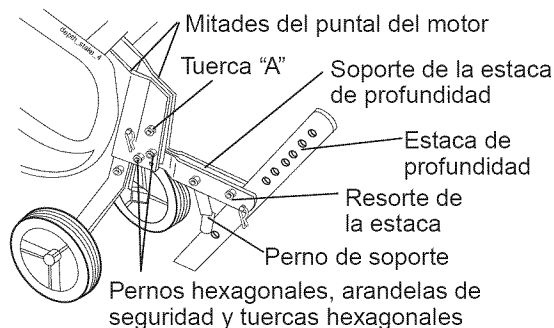
## POSICIÓN DEL OPERADOR

Cuando en este manual se mencionan los términos "lado derecho" o "lado izquierdo" se refiere a cuando usted se encuentra en la posición de operación (parado/a detrás de los mangos de la cultivadora).



## INSTALACIÓN DEL CONJUNTO DE LA ESTACA DE PROFUNDIDAD

1. Afloje la tuerca "A".
2. Inserte el soporte de la estaca entre las mitades del puntal del motor, con el resorte de la estaca hacia abajo.
3. Apretar el soporte de la estaca en los puntales del motor con los pernos hexagonales, las arandelas de seguridad y las tuercas. Apriételos en forma segura. También apriete las tuercas "A".
4. La estaca de profundidad se tiene que mover libremente. Si no lo hace, suelte el perno de soporte.



## DESEMPAQUE DE LA CAJA DE CARTÓN E INSTALACIÓN DEL MANGO

**PRECAUCIÓN:** Tenga cuidado con las grapas expuestas cuando maneje o deseche los materiales de la caja de cartón.

**IMPORTANTE:** Cuando desempaque y monte la cultivadora, tenga cuidado de no estirar o enredar el (los) cable(s).

1. Corte las abrazaderas de cable que aseguran la columna del mango.
2. Inserte el cable según lo mostrado y resbale la columna del mango sobre la montura del mango.
3. Remueva el empaque de la caja de cartón.
4. Asegure la columna del mango usando dos (2) pernos de acarreo y dos (2) contratuerca con aletas. Apriete con seguridad.
5. Corte la caja de cartón.
6. Haga pasar el cable de control de los brazos a través de la abrazadera los cables de plástico en la montura del mango.

- AVISO:** Los cables no deben tocar el silenciador.
7. Corte las ligaduras del cable que aseguran la cultivadora a la corredera. Remueva la cultivadora de la corredera tirándola hacia atrás.
  8. Quitar el tornillo de fijación del pilote de profundidad para girar y remover el tornillo.

## ALTURA DEL MANGO

- Se puede ajustar la altura del mango en la mejor forma que le acomode al operador. (Vea "ALTURA DEL MANGO" en la sección de Servicio y Ajustes de este manual.)

## ANCHO DEL LABRADO

- Se puede ajustar el ancho del labrado para manejar mejor sus condiciones de labración (vea "ARREGLO DE LOS BRAZOS" en la sección de Servicio y Ajustes de este manual).

## OPERACIÓN DE LOS BRAZOS

- Revise la operación de los brazos antes del primer uso (vea "REVISIÓN DE LA OPERACIÓN DE LOS BRAZOS" en la sección de Servicio y Ajustes de este manual).

# OPERACIÓN

## CONOZCA SU CULTIVADORA

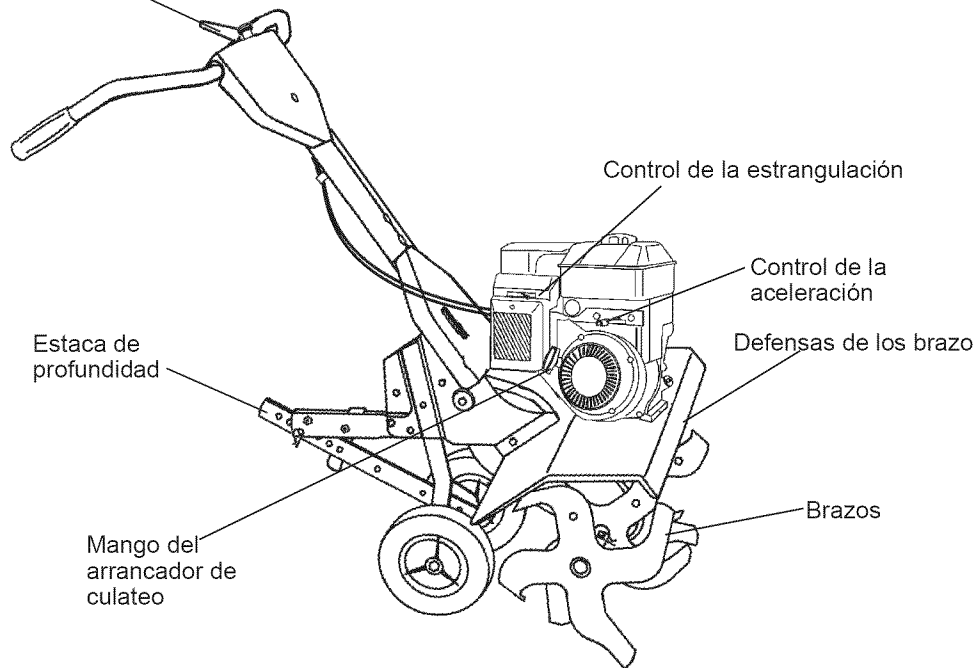
### LEA ESTE MANUAL DEL DUEÑO Y LAS REGLAS DE SEGURIDAD ANTES DE OPERAR SU CULTIVADORA

Compare las ilustraciones con su cultivadora para familiarizarse con la ubicación de los diversos controles y ajustes. Guarde este manual para referencia en el futuro.

Estos símbolos pueden aparecer sobre su cultivadora en la literatura proporcionada con el producto. Aprenda y comprenda sus significados.



Control de los brazos marcha hacia adelante



Las cultivadoras de Sears cumplen con los estándares de seguridad del American National Standard Institute (Instituto Nacional de Estándares Americano).

**CONTROL DE LA ACELERACIÓN** – Controla la velocidad del motor.

**CONTROL DE LA ESTRANGULACIÓN**– Úsalo cuando se hace arrancar un motor frío.

**CONTROL DE LOS BRAZOS MARCHA HACIA ADELANTE** – Engancha los brazos en la dirección de marcha hacia adelante.

**ESTACA DE PROFUNDIDAD** – Controla la

velocidad de la marcha hacia adelante y la profundidad a la cual excavará la cultivadora.

**MANGO DEL ARRANCADOR DE CULATEO** – Se usa para hacer arrancar el motor.





La operación de cualquier cultivadora puede hacer que salten objetos extraños dentro de sus ojos, lo que puede producir daños graves en éstos. Siempre use anteojos de seguridad o protecciones para los ojos antes de hacer arrancar su cultivadora o mientras esté labrando con ella. Recomendamos el uso de la máscara de seguridad de visión amplia, para uso sobre los espejuelos o anteojos de seguridad estándar.

## COMO USAR SU CULTIVADORA

Sepa cómo operar todos los controles antes de agregar combustible y aceite o antes de tratar de hacer arrancar el motor.

### PARADA

#### BRAZOS

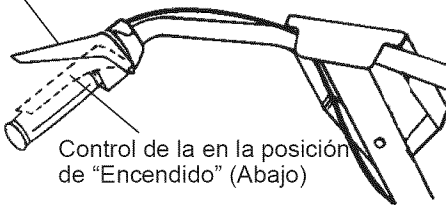
- Suelte el control de los brazos para parar el movimiento.

#### MOTOR

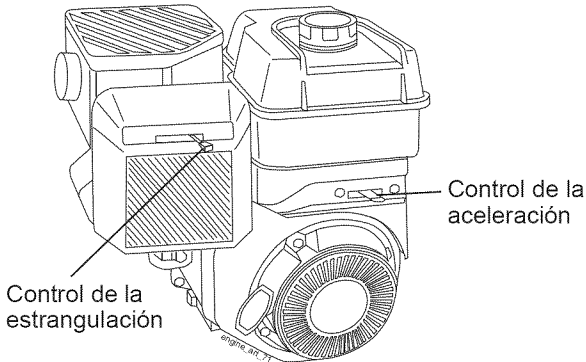
- Mueva el control de la aceleración a la posición de "PARADA" (STOP).

**AVISO:** Nunca use la estrangulación para parar el motor.

Control de los brazos en la posición de "Apagado" (Arriba)



Control de la en la posición de "Encendido" (Abajo)



## OPERACIÓN DE LOS BRAZOS

- Apriete el control de los brazos contra el mango.

### LABRADO

La velocidad y la profundidad del labrado son reguladas por medio de la posición de la estaca de profundidad y por la altura de la rueda.

La estaca de profundidad siempre tiene que estar por debajo de las ruedas para excavar. Sirve de freno para retardar el movimiento de marcha hacia adelante de la cultivadora, para permitir que los brazos penetren en el suelo. También, mientras más se baje la estaca de profundidad dentro del suelo, más profunda será la excavación realizada con los brazos.

### ESTACA DE PROFUNDIDAD

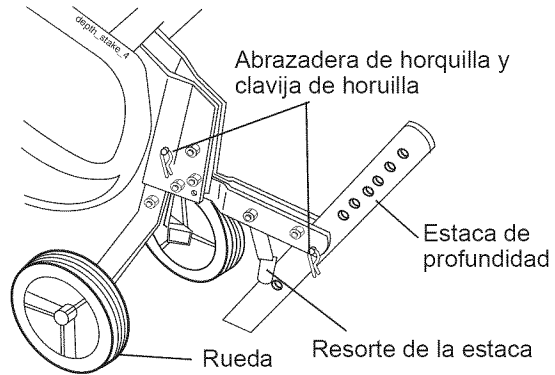
Ajuste la estaca de profundidad removiendo la abrazadera de horquilla y la clavija de horquilla. Cambie la estaca de profundidad a la posición deseada. Vuelva a colocar la clavija de horquilla y la abrazadera de horquilla.

- Para el labrado normal, ajuste la estaca de profundidad en el segundo o tercer agujero a partir de la parte superior.

## RUEDAS

Ajuste las ruedas removiendo la abrazadera de horquilla y la clavija de horquilla. Cambie la posición de la rueda. Vuelva a colocar la abrazadera de horquilla y la clavija de horquilla.

- Para el labrado normal, ajuste las ruedas en el segundo o tercer agujero a partir de la parte superior.



## PARA EL TRANSPORTE

**PRECAUCIÓN:** Antes de levantarla o transportarla, permita que el motor de la cultivadora y el silenciador se enfríen. Desconecte el alambre de la bujía. Drene la gasolina del estanque de combustible.

### EN EL JARDÍN

1. Incline la estaca de profundidad hacia adelante, hasta que quede sujeta con el resorte de la estaca.
2. Empuje los mangos de la cultivadora hacia abajo, levantando los brazos por encima del suelo.
3. Tire o empuje la cultivadora a la ubicación deseada.

### EN LA CIUDAD

1. Desconecte el alambre de la bujía.
2. Drene el estanque de combustible.
3. Transpórtela en la posición derecha hacia arriba para evitar la fuga del aceite.

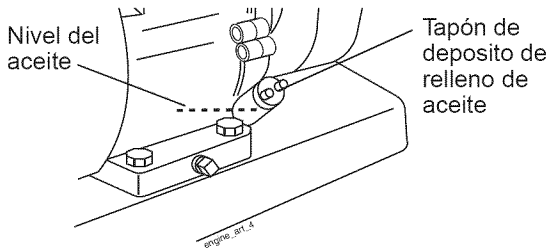
## ANTES DE HACER ARRANCAR EL MOTOR

**IMPORTANTE:** Tenga mucho cuidado de no permitir que entre mugre al motor cuando revise o anada aceite combustible. Use aceite y combustible limpios y guárdelos en envases aprobados, limpios y con tapa. Use embudos para relleno limpios.

### RELLENO DEL ACEITE DEL MOTOR

1. Remueva la etiqueta del motor.
2. Con el motor nivelado, remueva el tapón del depósito de relleno del aceite del motor.
3. Llène el motor con aceite hasta el punto de derramarse. Para verificar la capacidad aproximada vea "ESPECIFICACIONES DEL PRODUCTO" de este manual.
4. Incline la cultivadora hacia atrás en sus ruedas y luego vuelva a nivelarla.

5. Con el motor nivelado, vuelva a llenarlo hasta el punto de derramarse, si es necesario. Vuelva a colocar el tapón del depósito de relleno de aceite.
- Para la operación en clima frío, debe cambiarse el aceite para facilitar el arranque (vea la "TABLA DE VISCOSIDAD DEL ACEITE" en la sección de Mantenimiento en este manual).
- Para cambiar el aceite del motor, vea la sección de Mantenimiento en este manual.



### AGREGUE GASOLINA

- Llene el estanque de combustible. Llene hasta la parte inferior del cuello de relleno del estanque de gasolina. No lo llene demasiado. Use gasolina regular, sin plomo, nueva y limpia con el mínimo de 87 octanos. (El uso de gasolina con plomo aumentará los depósitos de óxido de plomo y carbono y se reducirá la duración de la válvula). No mezcle el aceite con la gasolina. Para asegurar que la gasolina utilizada sea fresca compre estanques los cuales puedan ser utilizados durante los primeros 30 días.

**PRECAUCIÓN:** Llene el estanque de combustible hasta dentro de 1/2 pulgada de la parte superior para evitar los derrames y para permitir que se expanda el combustible. Si por casualidad se derrama la gasolina, aleje la máquina del área del derrame. Evite crear cualquiera fuente de ignición hasta que se hayan desaparecido los gases de la gasolina. Limpie el aceite o el combustible derramado. No almacene, derrame o use gasolina cerca de una llama expuesta.

**IMPORTANTE:** Cuando se opere en temperaturas por debajo de 32°F (0°C) use gasolina de invierno limpia y nueva para asegurar un buen arranque en clima frío.

**PRECAUCIÓN:** Combustibles mezclados con alcohol (conocidos como gasohol, o el uso de etanol o metanol) pueden atraer la humedad, la que conduce a la separación y formación de ácidos durante el almacenamiento. La gasolina ácida puede dañar el sistema del combustible de un motor durante el almacenamiento. Para evitar los problemas con el motor, se debe vaciar el sistema de combustible antes de guardarlo por un período de 30 días o más. Vacíe el estanque de combustible, haga arrancar el motor y hágalo funcionar hasta que las líneas del combustible y el carburador queden vacíos. La próxima temporada use combustible nuevo. Vea las Instrucciones para el Almacenamiento para más información. Nunca use productos de limpieza para el motor o para el carburador en el estanque del combustible pues se pueden producir daños permanentes.

### PARA HACER ARRANCAR EL MOTOR

**PRECAUCIÓN:** Mantenga la barra de control de la impulsión en la posición "DESENGANCHADO" cuando haga arrancar el motor. Cuando intente arrancar el motor por la primera vez o si al motor se le ha acabado la gasolina, será necesario que estire varias veces del mango arrancador de culateo para desplazar la gasolina del estanque al motor.

1. Asegúrese que el alambre de la bujía esté conectado en forma adecuada.
2. Ponga el control de la aceleración en la posición de "RÁPIDO" (FAST).
3. Con el motor completamente en la posición de estrangulación "CHOKE. Agarre el mango del arrancador de culateo con una mano y el mango de la cultivadora con la otra mano. Tire el cordón hacia afuera, lentamente, hasta que el motor llegue al comienzo del ciclo de la compresión (el cordón se sentirá un poco más duro en este momento).
4. Tire el mango del arrancador de culateo rápidamente. No permita que el mango del arrancador se devuelva abruptamente en contra del arrancador. Vuelva a repetir en la posición de semiestrangulación si lo es necesario.

**AVISO:** Si los fuegos del motor se encienden pero no arranca, mueva el control de la estrangulación a la posición de semiestrangulación. Tire del mando arrancador de culateo hasta que el motor arranque.

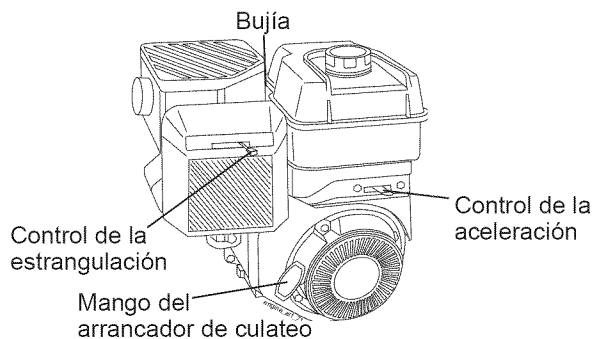
5. Cuando arranque el motor, lentamente, mueva el control de la estrangulación a la posición de "FUNCIONAMIENTO" (RUN) a medida que se calienta el motor.

**AVISO:** Un motor caliente requiere menos estrangulación para empezar.

6. Mueva el control de la aceleración a la posición de funcionamiento deseada.
7. Permita que se caliente el motor por unos cuantos minutos antes de enganchar los brazos.

**AVISO:** A mucha altura (sobre 3000 pies) o en climas fríos (debajo de 32° F [0° C]) puede que la mezcla del combustible del carburador necesite ajuste, para obtener el mejor resultado del motor. Vea "PARA AJUSTAR EL CARBURADOR" en la sección de Servicio y Ajustes de este manual.

**AVISO:** Si el motor no arranca, vea la guía de identificación de problemas.



## RODAJE DE SU CULTIVADORA

Use su(s) correa(s), las poleas y el control de los brazos antes de empezar a labrar.

- Haga arrancar el motor, saque los brazos fuera del suelo presionando los mangos hacia abajo y enganche el control de los brazos para hacer arrancar la rotación de los brazos. Permita que los brazos roten por cinco minutos.
- Revise la operación de los brazos y ajústelos, si es necesario. Vea "REVISIÓN DE LA OPERACIÓN DE LOS BRAZOS" en la sección de Servicio y Ajustes de este manual.

## CONSEJOS PARA LABRAR

**⚠PRECAUCIÓN:** Antes de acostumbrarse a manejar su cultivadora, empiece el uso de ésta en el terreno con la aceleración en la posición de "lento" (SLOW).

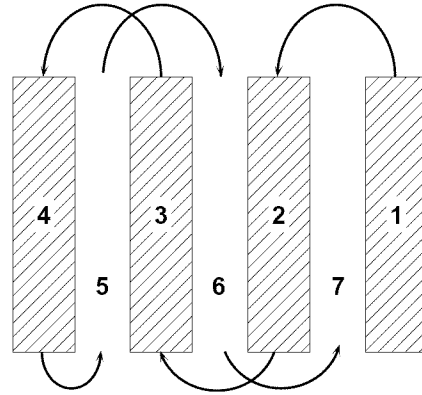
Para ayudarle a la cultivadora a moverse hacia adelante, levante los mangos un poco (levantando en esta forma la estaca de profundidad fuera del suelo). Para hacer que la cultivadora ande más lento presione los mangos hacia abajo.

Si está forzándola o si la cultivadora está vibrando, quiere decir que las ruedas y la estaca de profundidad no están ajustadas en forma adecuada para el terreno que se está labrando. El ajuste adecuado de las ruedas y de la estaca de profundidad se logra al probarlas en acción y depende de las condiciones del suelo. (Mientras más duro o más mojado esté el suelo, menor es la velocidad necesaria del motor y de los brazos. La cultivadora va a correr y saltar sobre el terreno si se usa en estas malas condiciones a una velocidad rápida.)

Si la cultivadora está bien ajustada, excavará con poco esfuerzo por parte del operador.

- El labrar quiere decir el excavar, dar vuelta y romper el suelo duro antes de plantar. El suelo suelto y blando permite el desarrollo de las raíces. La mejor profundidad de labrar es 4" a 6". La cultivadora también puede despejar el suelo de la mala hierba indeseables. La descomposición de esta mala hierba enriquece el suelo. Dependiendo del clima (lluvia o viento), puede ser recomendable labrar el suelo a fines de la temporada de cultivo para acondicionar el suelo aún más.
- Las condiciones del suelo son importantes si se desea obtener un labrado adecuado. Los brazos no van a penetrar fácilmente en el suelo seco y duro, lo que puede contribuir a un rebote excesivo y a dificultades en el manejo de su cultivadora. El terreno duro tiene que ser humedecido antes de labrarlo, sin embargo, si el suelo está demasiado mojado se convertirá en bolas o se amontonará durante el labrado. Espere a que el suelo esté menos mojado para poder obtener los mejores resultados. Cuando se hagan labrados en el otoño, remueva las vides y el césped alto para evitar que se envuelvan alrededor del eje de los brazos y retarden su operación para el labrado.

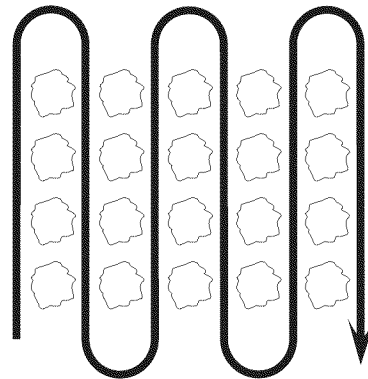
- Va a descubrir que el labrado se facilita si deja una fila sin labrar entre las pasadas. Entonces vuelva de nuevo entre las filas de cultivo. Hay dos razones para hacer esto. Primero, las vueltas amplias se pueden realizar con más facilidad que las cerradas. Segundo, la cultivadora no estará empujándose a sí misma y a usted hacia la próxima hilera.
- Ajuste la estaca de profundidad y la altura de la rueda para labrado poco profundo cuando esté trabajando en suelo o terreno herboso demasiado duro. Luego atraviese los primeros cortes a la profundidad normal.



## CULTIVO

El cultivo quiere decir la destrucción de la mala hierba entre las filas para evitar que éstas le roben la nutrición y la humedad a las plantas. Al mismo tiempo, si se rompe la capa superior de la costra del suelo, éste puede retener la humedad. La mejor profundidad de excavación es de 1" a 3".

- Probablemente no va a necesitar usar la estaca de profundidad. Empiece por inclinar la estaca de profundidad hacia adelante, hasta que quede sujeta en el resorte de la estaca.
- Cultive hacia arriba y hacia abajo las filas a una velocidad que le permita a los brazos sacar las raíces de la mala hierba y dejar el suelo en condiciones ásperas, para impedir el desarrollo de la mala hierba y el césped.



# MANTENIMIENTO

PROGRAMA DE MANTENIMIENTO					FECHAS DE SERVICIO															
	ANTES DE CADA USO	CADA 5 HORAS	CADA 25 HORAS	CADA 50 HORAS																
LLENE LAS FECHAS DE MEDIDA QUE COMPLETE SU SERVICIO REGULAR																				
Revisar el nivel del aceite del motor	✓	✓																		
Cambiar el aceite del motor				✓ <sub>1,2</sub>																
Aceitar los puntos de pivote		✓																		
Inspeccionar el supresor del silenciador				✓																
Inspeccionar la rejilla de aire	✓																			
Limpiar/cambiar el cartucho del filtro de aire				✓ <sub>2</sub>																
Limpiar las aletas del cilindro del motor				✓																
Cambiar la bujía				✓																

1- Cambiar más menudo cuando se opere bajo carga pesada o en ambientes con altas temperaturas.  
 2- Dar servicio más a menudo cuando se opere en condiciones sucias o polvorosas

## RECOMENDACIONES GENERALES

La garantía de esta cultivadora no cubre los artículos que han estado sujetos al abuso o a la negligencia del operador. Para recibir todo el valor de la garantía, el operador tiene que mantener la cultivadora según las instrucciones descritas en este manual. Hay algunos ajustes que se tienen que hacer en forma periódica para poder mantener su cultivadora adecuadamente. Todos los ajustes en la sección de Servicio y Ajustes de este manual tienen que ser revisados por lo menos una vez por cada temporada.

• Una vez al año, cambie la bujía, limpie o cambie el filtro de aire y revise si los brazos y las correas están desgastadas. Una bujía nueva y un filtro de aire limpio aseguran una mezcla de aire-combustible adecuada y le ayuda a que su motor funcione mejor y que dure más.

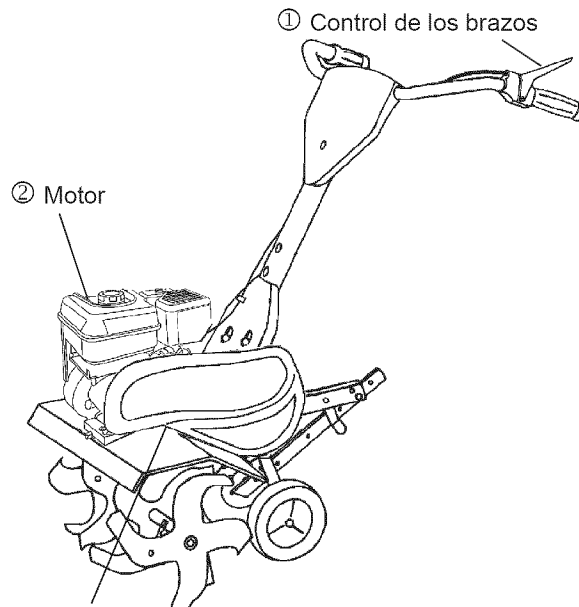
### ANTES DE CADA USO

1. Revise el nivel del aceite del motor.
2. Revise la operación de los brazos.
3. Revise si hay sujetadores sueltos.

### LUBRICACIÓN

Mantenga la unidad bien lubricada (vea la "TABLA DE LUBRICACIÓN").

## TABLA DE LUBRICACIÓN

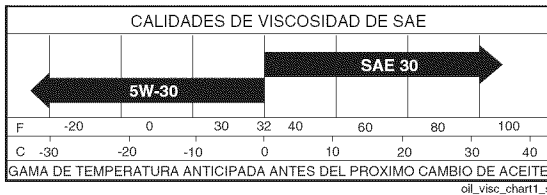


- ① Aceite de motor SAE 30 O 10W-30
- ② Refiérase a la sección del motor, "MANTENIMIENTO"

**⚠️ PRECAUCIÓN:** Desconecte el alambre de la bujía antes de dar mantenimiento (excepto por el ajuste del carburador) para evitar que el motor arranque por accidente. ¡Evite los incendios! Mantenga el motor sin césped, hojas, aceite o combustible derramado. Remueva el combustible del estanque antes de inclinar la unidad para darle mantenimiento. Limpie el césped, la mugre y la basura del área del silenciador. No toque el silenciador caliente o las aletas del cilindro, pues el contacto puede producir quemaduras.

## MOTOR LUBRICACIÓN

Use solamente aceite de detergente de alta calidad clasificado con la clasificación SG-SL de servicio API. Seleccione la calidad de viscosidad SAE según su temperatura de operación esperada.



**AVISO:** A pesar de que los aceites de multiviscosidad (5W-30, 10W-30, etc.) mejoran el arranque en clima frío, estos aceites de multiviscosidad van a aumentar el consumo de aceite cuando se usan en temperaturas sobre 32°F (0°C).

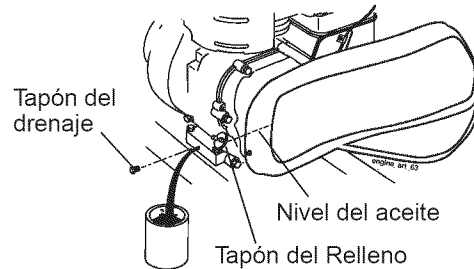
Revise el nivel del aceite del motor más a menudo, para evitar un posible daño en el motor, debido a que no tiene suficiente aceite. Cambie el aceite después de 50 horas de operación o por lo menos una vez al año si el tiller se utiliza menos 50 horas el año. Revise el nivel del aceite del cárter antes de hacer arrancar el motor y después de cada cinco (5) horas de uso continuado. Agregue aceite de motor SAE 30 o su equivalente. Apriete el tapón del depósito de relleno del aceite en forma segura cada vez que revise el nivel del aceite.

### PARA CAMBIAR EL ACEITE DEL MOTOR

Determine la gama de temperatura esperada antes del cambio del aceite. Todos los aceites deben cumplir con los requisitos de la clasificación de servicio API SG-SL.

- Asegúrese que la cultivadora esté en una superficie nivelada.
  - El aceite drenará más fácilmente cuando está caliente.
  - Útilice un embudo para impedir el derrame de aceite sobre la cultivadora, y recoja el aceite en un envase adecuado.
1. Remueva el tapón del drenaje.
  2. Inclina la cultivadora hacia adelante para drenar el aceite.

3. Después de que el aceite se haya drenado completamente, vuelva a colocar el tapón del drenaje del aceite y apriételo en forma segura.
4. Remueva el tapón del depósito de relleno de aceite. Tenga cuidado de no permitir que la mugre entre al motor.
5. Vuelva a llenar el motor con aceite. Vea "RELLENO DEL MOTOR CON ACEITE" en la sección de Operación de este manual.



## FILTRO DE AIRE

Dele servicio al cartucho del filtro de aire cada 50 horas y más a menudo si el motor se usa en condiciones muy polvorosas.

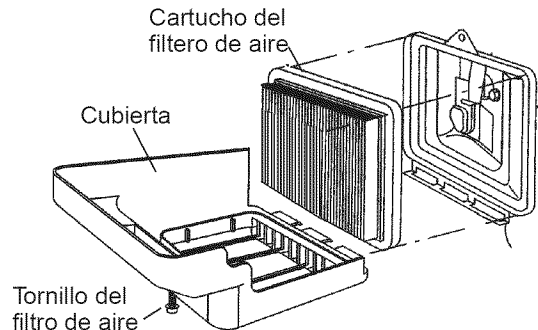
1. Suelte los tornillos del filtro de aire.
2. Remueva la cubierta del filtro de aire.
3. Cuidadosamente, remueva el cartucho del filtro de aire. Tenga cuidado. No permita que mugre o basura caigan dentro del carburador.
4. Límpielo golpeándolo suavemente en una superficie plana.

**AVISO:** Si el cartucho está muy sucio o dañado, reemplácelo.

5. Limpie y vuelva a colocar la cubierta. Apriete los tornillos en forma segura.

**⚠️ PRECAUCIÓN:** Los solventes de petróleo, tales como el kerosene, no deben ser utilizados para limpiar el cartucho. Pueden ocasionar el deterioro de éste. No aceite el cartucho. No use aire a presión para limpiarlo o secarlo.

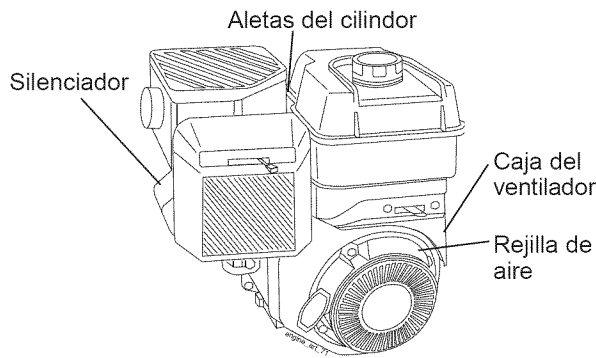
Cartucho



## SISTEMA DE ENFRIAMIENTO

Su motor se enfría con aire. Para obtener el rendimiento del motor adecuado y larga duración mantenga su motor limpio.

- Limpie la rejilla de aire frecuentemente usando un cepillo de cerdas duras.
- Remueva la caja del ventilador y límpiela si es necesario.
- Mantenga las aletas del cilindro sin mugre o paja.



### SILENCIADOR

No opere la cultivadora sin el silenciador. No manipulee el sistema de escape. Los silenciadores o los amortiguadores de chispas dañados pueden crear un peligro de incendio. Inspecciónelos periódicamente y cámbielos si es necesario. Si su motor viene equipado con un conjunto de rejilla para el amortiguador de chispas, remuévalo cada 50 horas para limpiarlo e inspeccionarlo. Cámbielo si es necesario.

### BUJÍA

Cambie las bujías al comienzo de cada temporada de cultivo, o después de 50 horas de uso, lo que suceda primero. El tipo de bujía y la abertura aparece en las "ESPECIFICACIONES DEL PRODUCTO" en la página 21 de este manual.

### TRANSMISIÓN

Su transmisión está sellada y no va a necesitar lubricación.

### LIMPIEZA

No limpie su cultivadora cuando el motor y la transmisión estén calientes. No recomendamos el uso de agua presurizada (manguera del jardín, etc.) para limpiar su unidad a menos que el área de la junta alrededor de la transmisión y del silenciador del motor, del filtro de aire y del carburador se cubran para protegerlos del agua. El agua en la transmisión y/o el motor acortará la vida de su cultivadora.

- Limpie todo material extraño del motor, las ruedas, el pulido, etc.
- Mantenga las superficies pulidas y las ruedas sin derrames de gasolina, aceite, etc.
- Proteja las superficies pintadas con cera tipo automotriz.

## SERVICIO Y AJUSTES

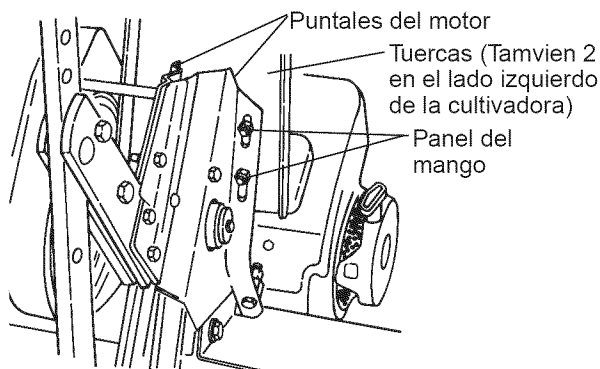
**⚠ PRECAUCIÓN:** Desconecte el alambre de la bujía y póngalo en donde no pueda entrar en contacto con la bujía.

### CULTIVADORA

#### PARA AJUSTAR LA ALTURA DEL MANGO

El montaje en la fábrica se ha realizado usando la altura más baja del mango. Seleccione la altura del mango que mejor se acomode a sus condiciones de labración. La altura del mango será diferente cuando la cultivadora excave el suelo.

1. Si se desea una mayor altura para el mango, suelte las cuatro tuercas que aseguran el panel del mango en los puntales del motor.
2. Deslice el panel del mango a la ubicación deseada.
3. Apriete las cuatro tuercas en forma segura.



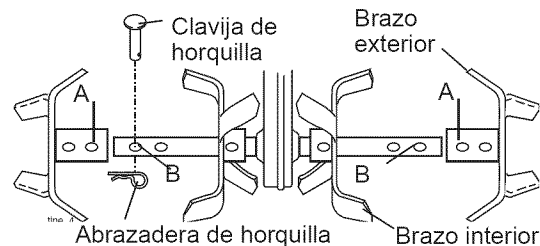
### ARREGLO DE LOS BRAZOS

Sus brazos exteriores se pueden montar de varias formas distintas para acomodar sus necesidades de labración o cultivación.

**⚠ PRECAUCIÓN:** Los brazos son afilados. Use guantes u otra protección cuando maneje los brazos.

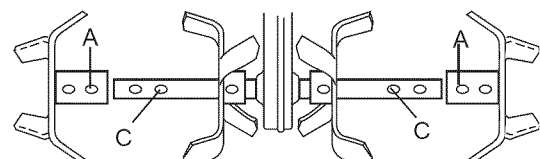
#### LABRADO NORMAL – PASO DE 24"

- Monte los agujeros "A" en los cubos de los brazos con los agujeros "B" en el eje de los brazos.



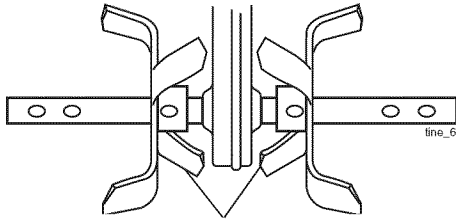
#### LABRADO DE ANCHO MEDIANO – PASO DE 22"

- Monte los agujeros "A" en los cubos de los brazos con los agujeros "C" en el eje de los brazos.



## CULTIVO/LABRADO ESTRECHO – PASO DE 12-3/4"

- Remueva los brazos exteriores.



Brazos interiores solamente

**AVISO:** Cuando vuelva a montar los brazos exteriores, asegúrese que el conjunto del brazo derecho (marcado con "R") y el conjunto del brazo izquierdo (marcado con "L") estén montados en el lado correcto del eje de los brazos.

### REVISIÓN DE LA OPERACIÓN DE LOS BRAZOS

**⚠PRECAUCIÓN:** Desconecte el alambre de la bujía para evitar que arranque mientras se está revisando la operación de los brazos.

Para obtener una operación de los brazos adecuada, la palanca de control de los brazos tiene que estar en contra del cuerpo del control y se tiene que remover toda la soltura del alambre interior del cable de control, cuando el control está en la posición de "APAGADO" (OFF) (arriba).

Si la palanca y el cable están sueltos, suelte la abrazadera del cable en el extremo inferior de éste. Tire el cable hacia arriba para remover la soltura, sin extender el resorte en el extremo del cable, y vuelva a apretar la abrazadera del cable.

### REVISIÓN FINAL EN LA POSICIÓN DE "APAGADO" (OFF)

1. Con el control de los brazos en la posición de "APAGADO" (OFF) (arriba), empuje hacia abajo el mango para levantar los brazos fuera del suelo.
2. Lentamente, tire el mango del arrancador de culateo mientras se observan los brazos. Los brazos no deben rotar.
3. Si los brazos rotan, el alambre interior del cable de control está demasiado apretado, extendiendo el resorte inferior y está engancho los brazos. Suelte la abrazadera del cable y empuje el cable hacia abajo, sólo lo suficiente como para aliviar la tensión del resorte. Apriete la abrazadera del cable.
4. Vuelva a revisar en la posición de "APAGADO" (OFF) y ajústelo si es necesario.

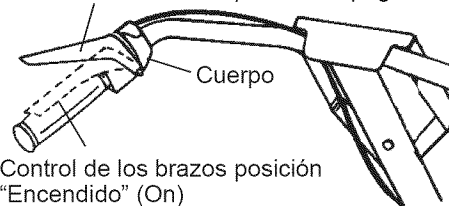
### REVISIÓN FINAL EN LA POSICIÓN DE "ENCENDIDO" (ON)

5. Con el control de los brazos en la posición de "ENCENDIDO" (ON) (sujeto abajo en el mango), empuje hacia abajo el mango para levantar los brazos fuera del suelo.
6. Lentamente, tire el mango del arrancador de culateo mientras se observan los brazos. Los brazos deben rotar hacia adelante.

7. Si los brazos no rotan, el alambre interior del cable de control está demasiado suelto. Suelte la abrazadera del cable y empuje el cable hacia arriba para remover la soltura y vuelva a apretar la abrazadera.
8. Vuelva a revisar en la posición de "ENCENDIDO" (ON) y ajústelo si es necesario.

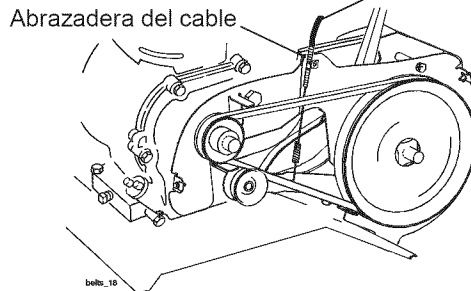
**AVISO:** Si se necesita ajuste en la posición de "ENCENDIDO" (ON), vuelva a revisar el ajuste de la posición de "APAGADO" (OFF) para asegurarse que los brazos no roten cuando el control está "APAGADO" (OFF) (arriba).

### Control de los brazos posición "Apagado" (Off)



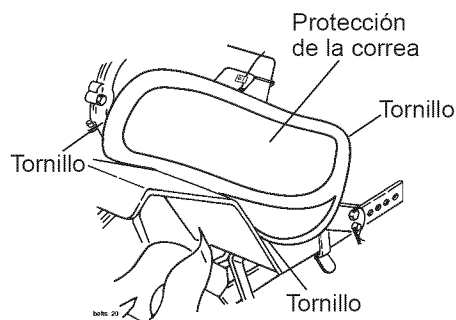
### Control de los brazos posición "Encendido" (On)

### Cable de control de los brazos



### PARA REMOVER LA PROTECCIÓN DE LA CORREA

1. Remueva los tornillos del lado de la protección de la correa.
2. Tire la protección de la correa hacia afuera alejándola de la unidad.
3. Vuelva a colocar la protección de la correa invirtiendo los pasos del procedimiento anterior. Asegúrese que la ranura en la parte inferior de la protección de la correa esté debajo de la cabeza del perno de la defensa de los brazos y que todas las tuercas estén apretadas en forma segura.



### PARA CAMBIAR LA CORREA V

Cambie la correa V si se ha estirado considerablemente o si está partida o si los bordes están desgastados.

1. La protección de la correa tiene que removerse para darle servicio a la correa. Vea "PARA REMOVER LA PROTECCIÓN DE LA CORREA" en esta sección de este manual.

#### REMOCIÓN DE LA CORREA

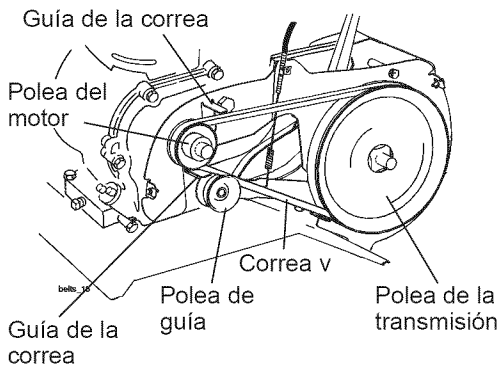
2. Remueva la correa V de la polea de la transmisión primero y luego de la polea del motor.

#### CAMBIO DE LA CORREA

3. Instale la correa V nueva en la polea del motor primero luego en la polea de la transmisión. Asegúrese que la correa esté ubicada en al ranura interior de ambas poleas, dentro de todas las guías de la correa y que descance en la polea de guía.

#### REVISIÓN DE LA OPERACIÓN DE LOS BRAZOS

4. Vea "REVISIÓN DE LA OPERACIÓN DE LOS BRAZOS" en esta sección de este manual.
5. Vuelva a colocar la protección de la correa.



### MOTOR

El mantenimiento, la reparación, o el reemplazo de cualquier dispositivos o sistemas del control de la emisión, los cuales sean hechos al costo del cliente, pueden ser realizados por cualquier individuo o establecimiento de reparación de motor. Los reparos que caen bajo garantía deben ser realizados por un establecimiento de servicio de reparación de motor autorizado.

#### PARA AJUSTAR EL CARBURADOR

El carburador tiene un chorro de alta velocidad y ha sido preajustado en la fábrica y no debería necesitar ajustes. Sin embargo, se pueden necesitar ajustes de menor importancia para compensar por las diferencias en el combustible, temperatura, altura o carga. Si el carburador necesita ajustes, pongase en contacto con su centro/departamento de servicio autorizado más cercano.

**IMPORTANTE:** Nunca manipule el regulador del motor el que ha sido ajustado en la fabrica para la velocidad del motor adecuada puede ser peligroso hacer funcionar el motor a una velocidad por sobre elajuste de lata velocidad de la fabrica. Si cree que la velocidad alta regulada del motor necesita ajuste, póngase en contacto con su centro de servicio cualificado, el cual cuenta con el equipoa decuado y la experiencia para hacer los ajustes necesarios.



# ALMACENAMIENTO

Inmediatamente prepare su cultivadora para el almacenamiento al final de la temporada o si la unidad no se va a usar por 30 días o más.

**⚠PRECAUCIÓN:** Nunca almacene la cultivadora con gasolina en el estanque dentro de un edificio en donde los gases pueden alcanzar una llama expuesta o una chispa. Permita que el motor se enfríe antes de almacenarlo en cualquier recinto privado.

## CULTIVADORA

1. Limpie toda la cultivadora (vea "LIMPIEZA" en la sección de Mantenimiento en este manual).
2. Inspeccione y cambie las correas, si es necesario (vea las instrucciones para el cambio de la correa en la sección de Servicio y Ajustes de este manual).
3. Lubríquela según se muestra en la sección de Mantenimiento en este manual.
4. Asegúrese que todas las tuercas, pernos y tornillos estén apretados en forma segura. Inspeccione las partes movibles para verificar si están dañadas, rotas o desgastadas. Cámbielas si es necesario.
5. Retoque todas las superficies pintadas que estén oxidadas o picadas; use una lija suavemente antes de pintar.

## MOTOR

### SISTEMA DE COMBUSTIBLE

**IMPORTANTE:** Es importante evitar que se formen depósitos de goma en partes fundamentales del sistema de combustible tales como el carburador, el filtro del combustible, la manguera del combustible o en el estanque durante el almacenamiento. La experiencia también indica que los combustibles mezclados con alcohol (conocido como gasohol o que tienen etanol o metanol) pueden atraer humedad, lo que conduce a la separación de ácidos durante el almacenamiento. La gasolina ácida puede dañar el sistema de combustible de un motor durante el periodo de almacenamiento.

- Vaciar el depósito del carburante poniendo en marcha el motor y dejándolo funcionar hasta que el carburante termine el carburador esté vacío.
- Nunca use los productos para limpieza del carburador o del motor en el estanque de combustible pues se pueden producir daños permanentes.
- Use combustible nuevo la próxima temporada.

**AVISO:** El estabilizador de combustible es una alternativa aceptable para reducir a un mínimo la formación de depósitos de goma en el combustible durante el período de almacenamiento. Agregue estabilizador a la gasolina en el estanque de combustible o en el envase para el almacenamiento. Siempre siga la proporción de mezcla que se encuentra en el envase del estabilizador. Haga funcionar el motor por lo menos 10 minutos después de agregar el estabilizador, para permitir que éste llegue al carburador. No vaciar la gasolina del estanque de gasolina y el carburador si se está usando estabilizador de combustible.

### ACEITE DEL MOTOR

Drene el aceite (con el motor caliente) y cámbielo con aceite de motor limpio. (Vea "MOTOR" en la sección de Mantenimiento de este manual.)

### CILINDRO(S)

1. Remueva la bujía.
2. Vacíe una onza de aceite a través del agujero de la bujía en el cilindro.
3. Tire el mango del arrancador, lentamente, varias veces para distribuir el aceite.
4. Cambie por una bujía nueva.

### OTROS

- No guarde la gasolina de una temporada a la otra.
- Cambie el envase de la gasolina si se empieza a oxidar. La oxidación y/o la mugre en su gasolina producirán problemas.
- Si es posible, guarde su unidad en un recinto cerrado y cúbrala para protegerla contra el polvo y la mugre.
- Cubra su unidad con un forro protector adecuado que no retenga la humedad. No use plástico. El plástico no puede respirar, lo que permite la formación de condensación, lo que producirá la oxidación de su unidad.

**IMPORTANTE:** Nunca cubra la cultivadora mientras el motor y las áreas de escape todavía están calientes.

**IDENTIFICACIÓN DE PROBLEMAS:**

Vea la sección apropiada en el manual a menos que esté dirigido a un centro de servicio Sears.

<b>PROBLEMA</b>	<b>CAUSA</b>	<b>CORRECCIÓN</b>
<b>No arranca</b>	<ol style="list-style-type: none"> <li>1. Sin combustible.</li> <li>2. Motor sin la "ESTRANGU-LACION" (CHOKE) adecuada.</li> <li>3. Motor ahogado.</li> <li>4. Filtro de aire sucio.</li> <li>5. Agua en el combustible.</li> <li>6. Estanque de combustible taponado.</li> <li>7. Alambre de la bujía suelto.</li> <li>8. Bujía mala o abertura inadecuada.</li> <li>9. Carburador desajustado.</li> </ol>	<ol style="list-style-type: none"> <li>1. Llene el estanque de combustible.</li> <li>2. Vea "PARA ARRANCAR EL MOTOR" en la sección de Operación.</li> <li>3. Espere varios minutos antes de tratar de arrancar.</li> <li>4. Limpie o cambie el cartucho del filtro de aire.</li> <li>5. Vaciar el estanque de combustible y el carburador, vuelva a llenar el estanque con gasolina nueva.</li> <li>6. Remueva el estanque de combustible y límpielo.</li> <li>7. Asegúrese que el alambre de la bujía esté asentado en forma adecuada en ésta.</li> <li>8. Cambie la bujía o ajuste la abertura.</li> <li>9. Haga los ajustes necesarios.</li> </ol>
<b>Difícil de arrancar</b>	<ol style="list-style-type: none"> <li>1. Control de la aceleración ajustado inadecuadamente.</li> <li>2. Filtro de aire sucio.</li> <li>3. Bujía mala o abertura inadecuada.</li> <li>4. Combustible rancio o sucio.</li> <li>5. Alambre de la bujía suelto.</li> <li>6. Carburador desajustado.</li> </ol>	<ol style="list-style-type: none"> <li>1. Ponga el control de la aceleración en la posición de "RÁPIDO" (FAST).</li> <li>2. Limpie o cambie el cartucho del filtro de aire.</li> <li>3. Cambie la bujía o ajuste la abertura.</li> <li>4. Vaciar el estanque de combustible y vuelva a llenarlo con gasolina nueva.</li> <li>5. Asegúrese que el alambre de la bujía esté asentado en forma adecuada en ésta.</li> <li>6. Haga los ajustes necesarios.</li> </ol>
<b>Falta de fuerza</b>	<ol style="list-style-type: none"> <li>1. El motor está sobrecargado.</li> <li>2. Filtro de aire sucio.</li> <li>3. Nivel de aceite bajo/aceite sucio.</li> <li>4. Bujía fallada.</li> <li>5. Aceite en el combustible.</li> <li>6. Combustible rancio o sucio.</li> <li>7. Agua en el combustible.</li> <li>8. Estanque de combustible taponado.</li> <li>9. Alambre de la bujía suelto.</li> <li>10. Rejilla de aire del motor sucia.</li> <li>11. Silenciador sucio/taponado.</li> <li>12. Carburador desajustado.</li> <li>13. Mala compresión.</li> </ol>	<ol style="list-style-type: none"> <li>1. Ajuste la estaca de profundidad y las ruedas para un labrado menos profundo.</li> <li>2. Limpie o cambie el cartucho del filtro de aire.</li> <li>3. Revise el nivel del aceite/cambie el aceite.</li> <li>4. Limpie y vuelva a ajustar la abertura o cambie la bujía.</li> <li>5. Vaciar y limpie el estanque de combustible y vuelva a llenarlo y limpie el carburador.</li> <li>6. Vaciar el estanque de combustible y vuelva a llenarlo con gasolina nueva.</li> <li>7. Vaciar el estanque de combustible y el carburador y vuelva a llenar el estanque con gasolina nueva.</li> <li>8. Remueva el estanque de combustible y límpielo.</li> <li>9. Conecte y apriete el alambre de la bujía.</li> <li>10. Limpie la rejilla de aire del motor.</li> <li>11. Limpie/cambie el silenciador.</li> <li>12. Haga los ajustes necesarios.</li> <li>13. Contacto con su centro de servicio cualificado.</li> </ol>

## IDENTIFICACIÓN DE PROBLEMAS:

Vea la sección apropiada en el manual a menos que esté dirigido a un centro de servicio Sears.

PROBLEMA	CAUSA	CORRECCIÓN
<b>El motor se calienta demasiado</b>	<ol style="list-style-type: none"><li>1. Nivel del aceite bajo/aceite sucio.</li><li>2. Rejilla de aire del motor sucia.</li><li>3. Motor sucio.</li> <li>4. Silenciador parcialmente taponado.</li><li>5. Mal ajuste del carburador.</li></ol>	<ol style="list-style-type: none"><li>1. Revise el nivel del aceite/cambie el aceite.</li><li>2. Limpie la rejilla de aire del motor.</li><li>3. Limpie las aletas del cilindro, la rejilla de aire y el área del silenciador.</li><li>4. Remueva y limpie el silenciador.</li><li>5. Ajuste el carburador para una posición de mezcla más rica.</li></ol>
<b>Rebote excesivo/manejo difícil</b>	<ol style="list-style-type: none"><li>1. El terreno está muy seco y duro.</li> <li>2. Las ruedas y la estaca de profundidad están ajustadas incorrectamente.</li></ol>	<ol style="list-style-type: none"><li>1. Moje el suelo o espere a que existan condiciones del suelo más favorables.</li><li>2. Ajuste las ruedas y la estaca de profundidad.</li></ol>
<b>El suelo se hace bolas o se tona</b>	<ol style="list-style-type: none"><li>1. El terreno está muy mojado.</li></ol>	<ol style="list-style-type: none"><li>1. Espere a que existan condiciones del suelo más <b>am</b> favorables.</li></ol>
<b>El motor funciona pero la cultivadora no se mueve</b>	<ol style="list-style-type: none"><li>1. La barra de control de la impulsión no está enganchada.</li><li>2. La correa V no está ajustada correctamente.</li><li>3. La correa V está fuera de la(s) polea(s).</li></ol>	<ol style="list-style-type: none"><li>1. Enganche el control de la impulsión.</li><li>2. Inspeccione/ajuste la correa V.</li><li>3. Inspeccione la correa V.</li></ol>
<b>El motor funciona pero se esfuerza cuando se labra</b>	<ol style="list-style-type: none"><li>1. Se está labrando muy profundamente.</li><li>2. El control de la aceleración no está ajustado en forma adecuada.</li><li>3. El carburador está desajustado.</li></ol>	<ol style="list-style-type: none"><li>1. Ajuste la estaca de profundidad para un labrado menos profundo.</li><li>2. Revise el ajuste del control de la aceleración.</li><li>3. Haga los ajustes necesarios.</li></ol>

## NEED MORE HELP?

You'll find the answer and more on [managemyhome.com](http://managemyhome.com) -- for free!

- Find this and all your other product manuals online.
- Get answers from our team of home experts.
- Get a personalized maintenance plan for your home.
- Find information and tools to help with home projects.

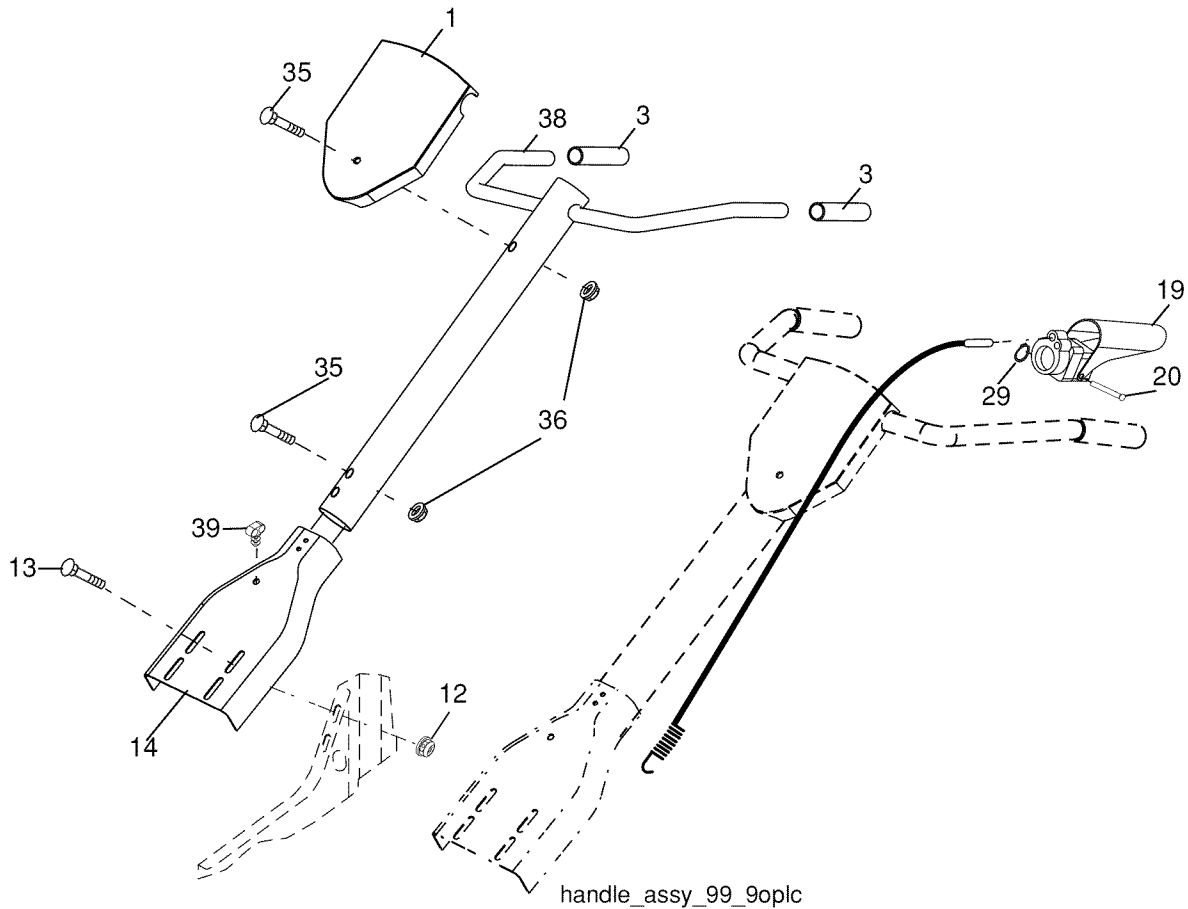
**manage my home**

brought to you by Sears

# REPAIR PARTS

## TILLER - - MODEL NUMBER 917.299013

### HANDLES



#### KEY PART NO. NO.

KEY PART NO.	NO.	DESCRIPTION
1	137118	Panel, Control
3	165787	Grip, Handle
12	98000129	Nut, Flange
13	STD533107	Bolt, Carriage 5/16-18 x 3/4
14	181476	Assembly, Panel and Tube
19	188532	Lever, Control, Tine
20	188555	Pin, Pivot
29	12000059	Retainer, Ring

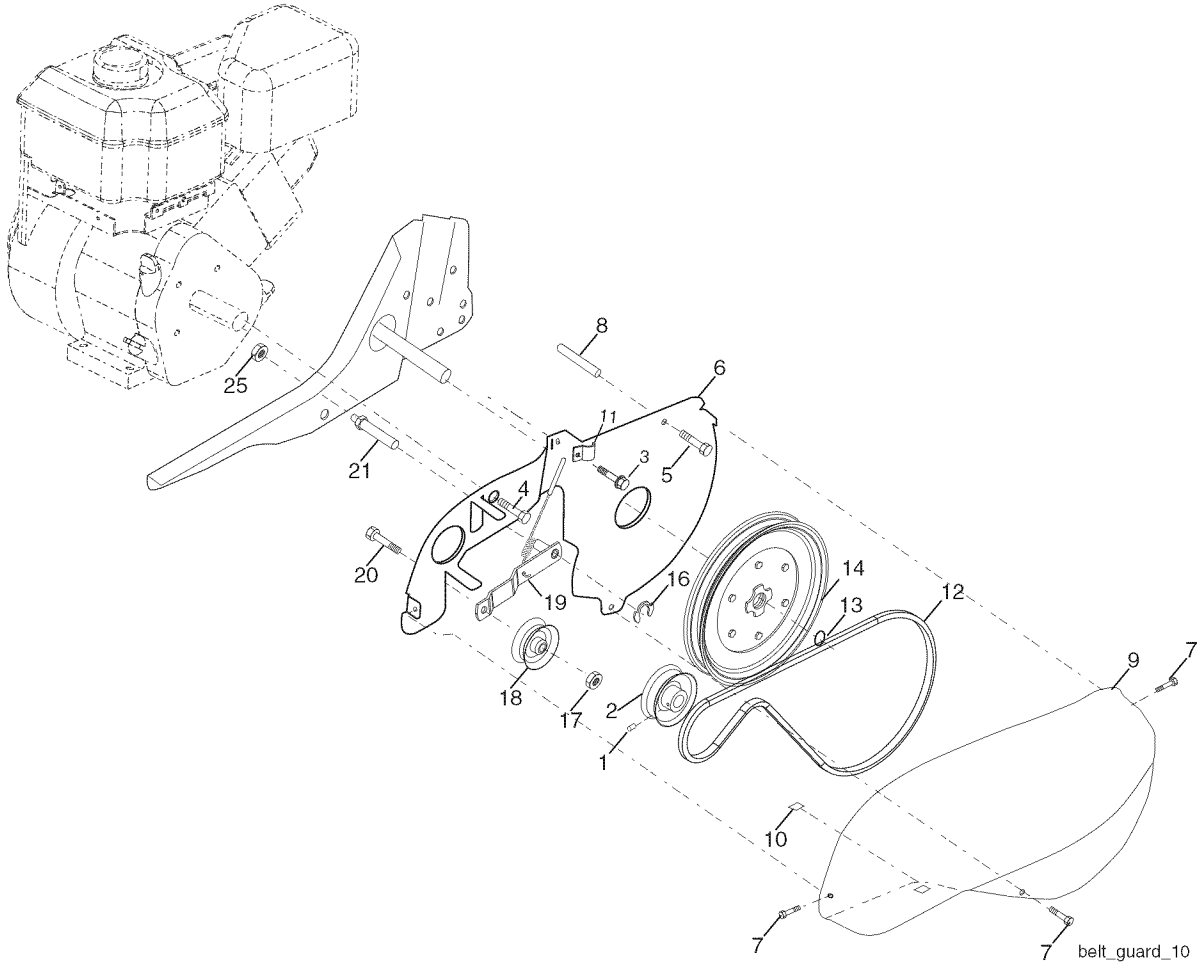
#### KEY PART NO. NO.

KEY PART NO.	NO.	DESCRIPTION
35	72010520	Bolt 5/16-18 x 2-1/2
36	73970500	Locknut, Flange 5/16-18 unc
38	431332	Assembly, Handle Column
39	181580	Clip

**NOTE:** All component dimensions given in U.S.inches.  
1 inch = 25.4 mm

# TILLER - - MODEL NUMBER 917.299013

## BELT GUARD AND PULLEY ASSEMBLY

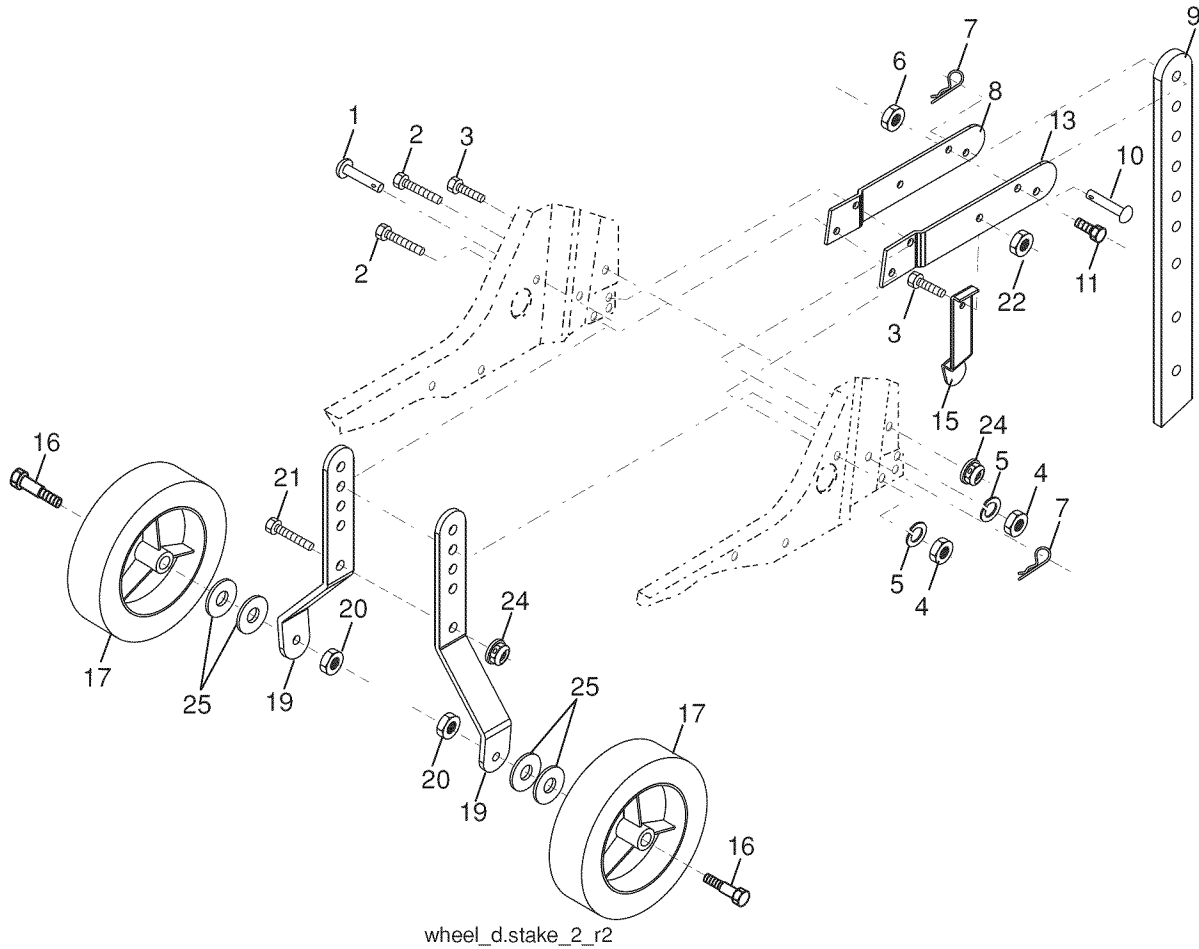


KEY PART NO.	NO.	DESCRIPTION
1	23230506	Screw Set 5/16-18 x 3/8 Patch
2	130812	Sheave, Engine
3	86777	Screw, Tap Hex Head
4	74770508	Bolt, Hex Head 5/16-24 unf x 1/2
5	17490440	Bolt, Thd Roller 1/4-20 x 2-1/2
6	422920	Shield, Inner Belt Guard
7	170488	Screw Hex Wsh Hd #8-18 x 1/2
8	139155	Spacer Split
9	165768X615	Guard, Belt
10	109227X	Pad, Idler
11	9484R	Clip, Cable
12	9180R	V-Belt

KEY PART NO.	NO.	DESCRIPTION
13	12000028	Ring, Retainer
14	151223	Sheave, Transmisison
16	12000036	Ring, Klip
17	STD541237	Nut, Hex, Jam 3/8-16
18	161806	Pulley, Idler
19	175377	Arm, Idler
20	STD523712	Bolt, Hex Head 3/8-16 x 1-1/4
21	106968X	Shaft, Idler Arm
25	73350500	Nut, Hex, Jam 5/16-18

**NOTE:** All component dimensions given in U.S.inches.  
1 inch = 25.4 mm

**TILLER - - MODEL NUMBER 917.299013**  
**WHEEL AND DEPTH STAKE ASSEMBLY**



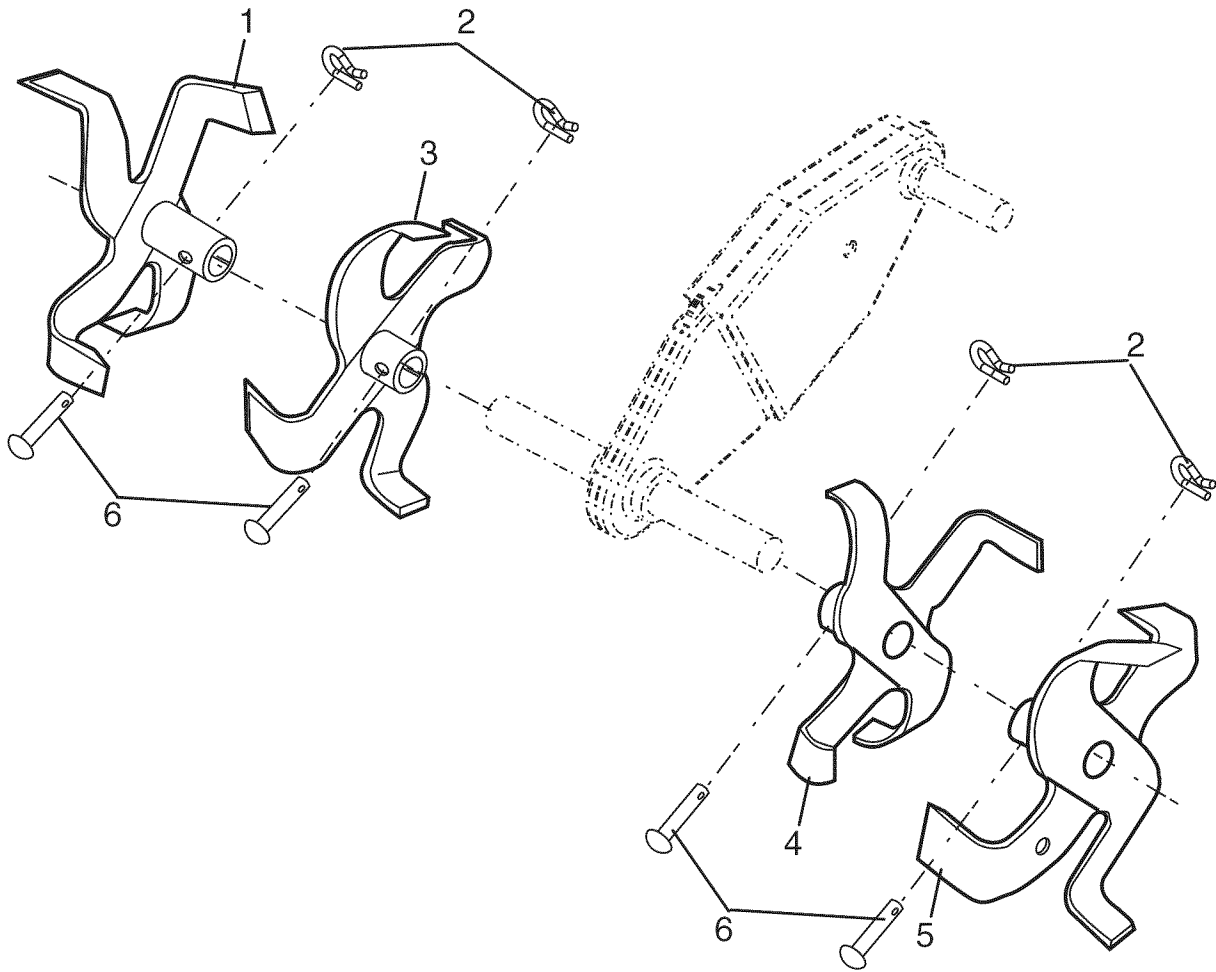
KEY PART NO.	NO.	DESCRIPTION
1	9194R	Pin, Clevis
2	74760520	Bolt, Hex Head 5/16-18 x 1-1/4
3	STD523107	Bolt, Hex Head 5/16-18 x 3/4
4	73220500	Nut
5	STD551131	Washer, Lock 5/16
6	STD541437	Locknut, w/washer 3/8-16
7	4921H	Clip, Hairpin
8	1952J	Support, Depth Stake, R.H.
9	122233X	Stake, Depth
10	326J	Pin, Clevis
11	74780628	Bolt, Hex 3/8-16 x 1-3/4
13	1951J	Support, Depth Stake, L.H.
15	5388J	Spring, Stake

KEY PART NO.	NO.	DESCRIPTION
16	121117X	Bolt, Shoulder
17	193851X613	Wheel
19	9190R	Bracket, Wheel
20	STD541437	Locknut, Crown 3/8-16
21	74760516	Bolt, Hex Head 5/16-18 x 1
22	STD541431	Locknut, w/insert 5/16-18
24	73970500	Nut Lock 5/16-18
25	19171416	Washer 17/32 x 7/8 x 16 Ga.

**NOTE:** All component dimensions given in U.S.inches.  
 1 inch = 25.4 mm

# TILLER - - MODEL NUMBER 917.299013

## TINE ASSEMBLY



tine\_ipb\_3

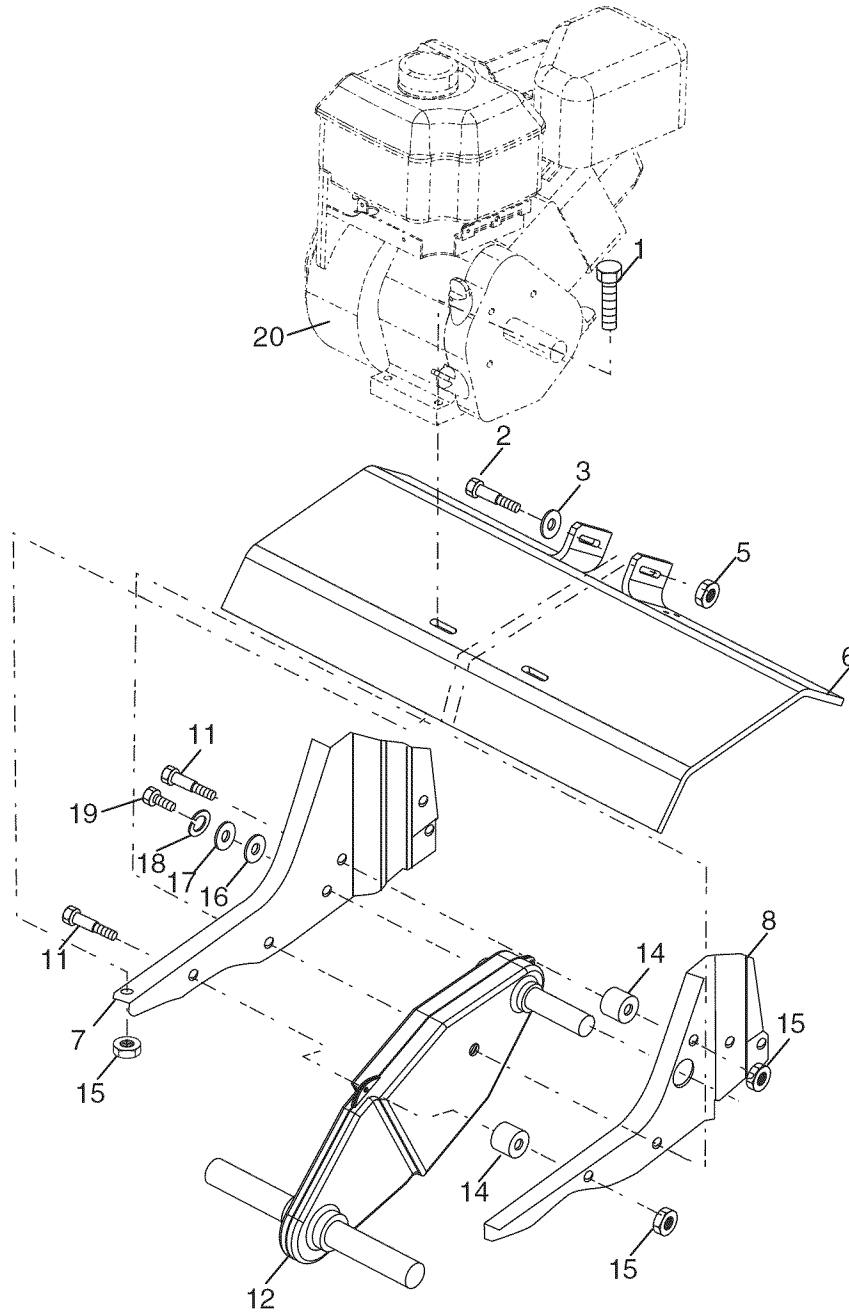
KEY PART NO.	NO.	DESCRIPTION
1	156926	Tine, Outer, R.H.
2	3146R	Retainer, Spring Zinc
3	156924	Tine, Inner, R.H.
4	156923	Tine, Inner, L.H.

KEY PART NO.	NO.	DESCRIPTION
5	156925	Tine, Outer, L.H.
6	4929H	Pin, Clevis

**NOTE:** All component dimensions given in U.S.inches.  
1 inch = 25.4 mm

# TILLER - - MODEL NUMBER 917.299013

## TRANSMISSION



transmission\_11

### KEY PART NO. NO.

KEY PART NO.	NO.	DESCRIPTION
1	74760524	Bolt, Hex 5/16-18 x 1-1/2 Gr. 2
2	STD523732	Bolt, Fin, Hex 3/8-16 x 3-1/4
3	STD551037	Washer 13/32 x 13/16 x 11
5	STD541437	Locknut, w/washer 3/8-16
6	9056R615	Shield, Tine
7	188195	Bracket, Engine, R.H.
8	165834	Bracket, Engine, L.H.
11	187912	Bolt, Shoulder 5/16-18 unc x 2.5
12	151222	Transmission
14	9173R	Spacer, Split

### KEY PART NO. NO.

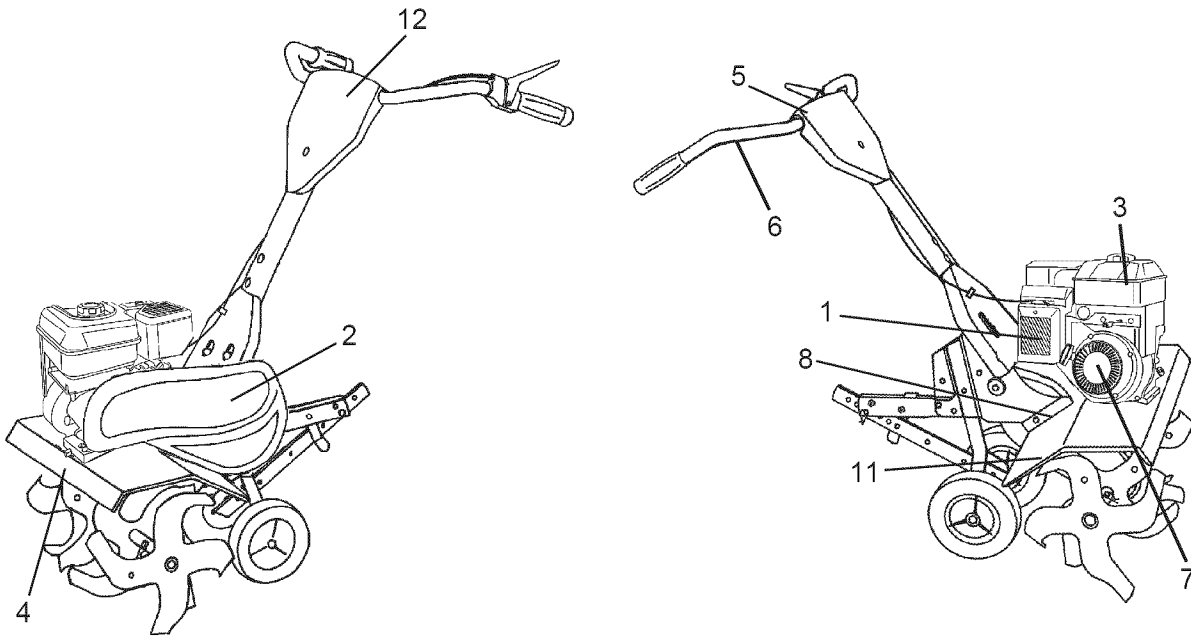
KEY PART NO.	NO.	DESCRIPTION
15	73970500	Nut, Lock Hex Flange 5/16-18 unc
16	19091412	Washer 9/32 x 7/8 x 12 Ga.
17	19092016	Washer 9/32 x 1-1/4 x 16 Ga.
18	STD551125	Washer, Lock 1/4
19	74610412	Bolt, Hex 1/4-28 x 3/4 Gr. 5
20	-----	Engine (See Breakdown) Briggs 121012-0193-B8

**NOTE:** All component dimensions given in U.S.inches.  
1 inch = 25.4 mm



# TILLER - - MODEL NUMBER 917.299013

## DECALS



### KEY PART NO. NO.

### DESCRIPTION

1	409145	Decal, A/C
2	425502	Decal, Beltguard
3	409143	Decal, Tank
4	425503	Decal, Tine Shield
5	137539	Decal, Cntrl Pnl Inst.
6	120431X	Decal, Hand Placement
7	411816	Decal, Rewind
8	162215	Decal, Tine, Shield, Warning
11	120075X	Decal, Warning, Rotating Tines
12	425501	Decal, Console
--	428611	Manual, Owner's (Eng/Spain)

# TILLER - - MODEL NUMBER 917.299013

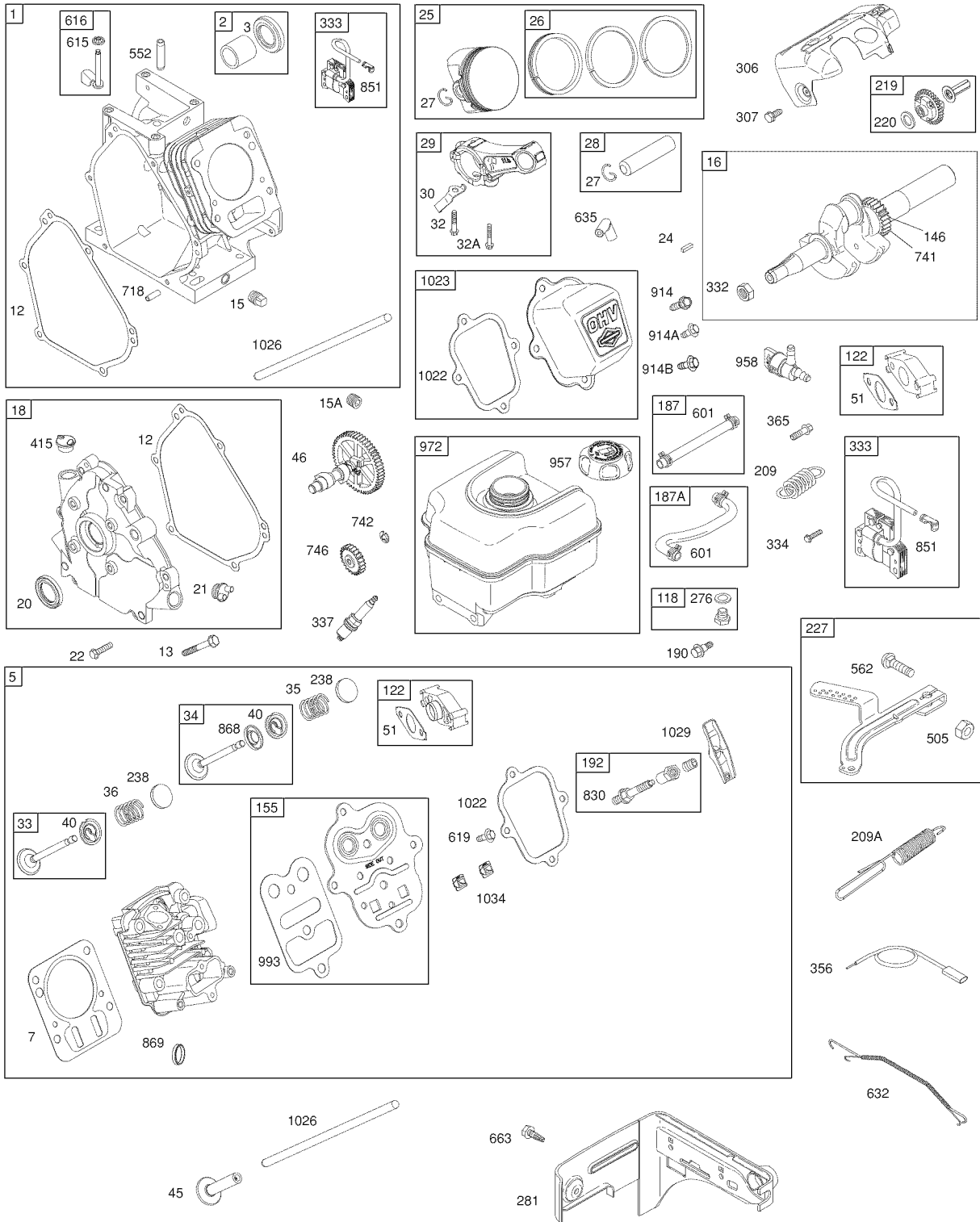
## ENGINE, BRIGGS -- MODEL NUMBER 121012-0193-B8

48 SHORT BLOCK

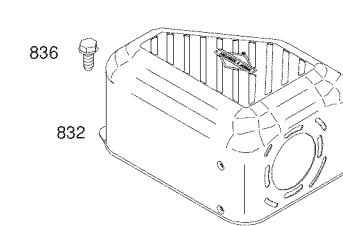
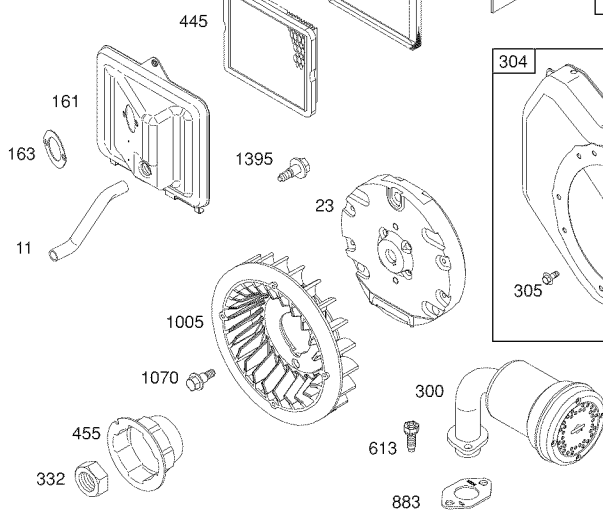
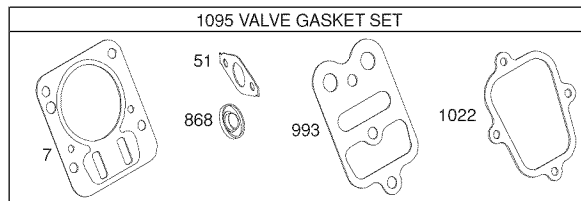
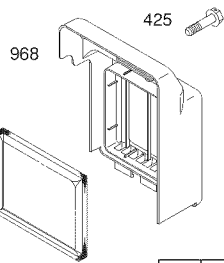
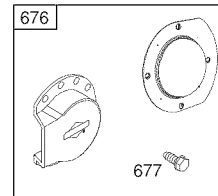
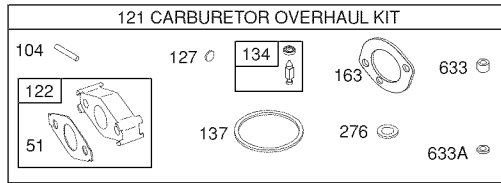
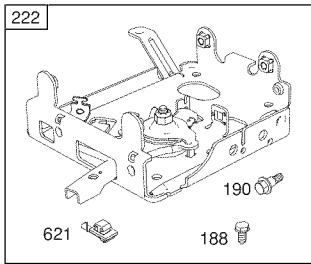
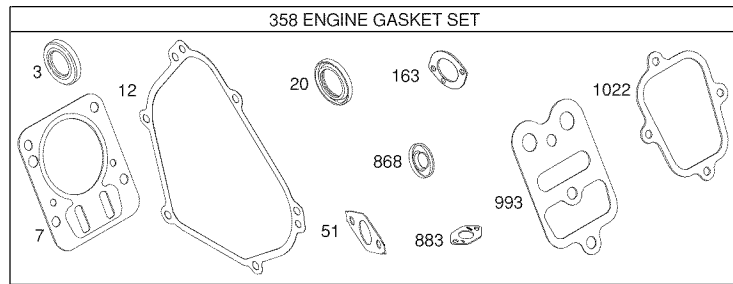
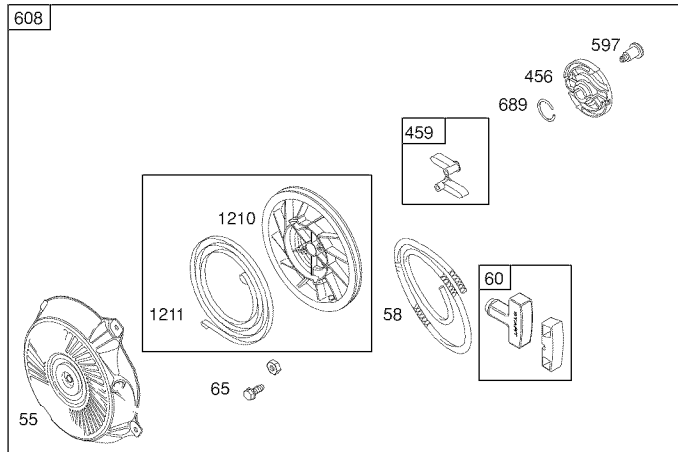
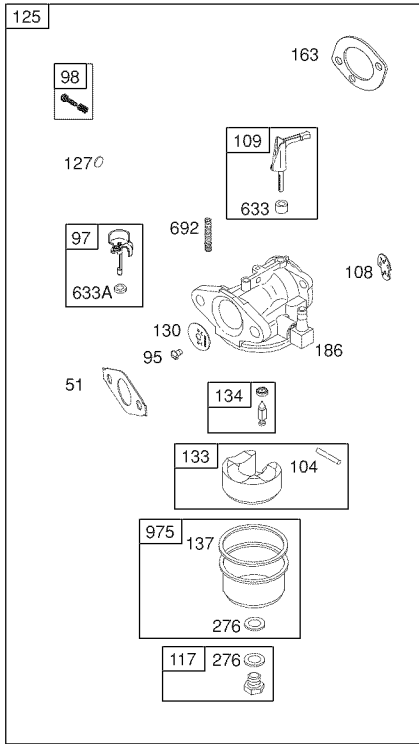
1058 OPERATOR'S MANUAL

1329 REPLACEMENT ENGINE

1330 REPAIR MANUAL



**TILLER - - MODEL NUMBER 917.299013**  
**ENGINE, BRIGGS -- MODEL NUMBER 121012-0193-B8**



**TILLER - - MODEL NUMBER 917.299013**  
**ENGINE, BRIGGS -- MODEL NUMBER 121012-0193-B8**

KEY PART NO.	PART NO.	DESCRIPTION	KEY PART NO.	PART NO.	DESCRIPTION
1	699510	Cylinder Assembly	209	691278	Spring-Governor (Platinum)
2	399269	Kit-Bushing/Seal (Magneto Side)	209	692571	Spring-Governor (# 5 Hole)
3	299819s	Seal-Oil (Magneto Side)	219	693578	Gear-Governor
5	699486	Head-Cylinder	220	691724	Washer (Governor Gear)
7	698210	Gasket-Cylinder Head	222	793107	Bracket-Control
11	692600	Tube-Breather	227	794367	Lever-Governor Control
12	699485	Gasket-Crankcase	238	691300	Cap-Valve
13	699482	Screw (Cylinder Head)	276	271716	Washer-Sealing
15	691686	Plug-Oil Drain	281	793122	Panel-Control
15A	691682	Plug-Oil Drain	300	693593	Muffler
16	797070	Crankshaft	304	699598	Housing-Blower
18	699804	Cover-Crankcase	305	699480	Screw (Blower Housing)
20	692550	Seal-Oil (PTO Side)	306	795334	Shield-Cylinder
21	281658s	Cap-Oil Fill	307	699483	Screw (Cylinder Shield)
22	699478	Screw (Crankcase Cover/Sump)	332	792723	Nut (Flywheel)
23	699488	Flywheel	333	796964	Armature-Magneto
24	222698s	Key-Flywheel	334	699477	Screw (Magneto Armature)
25	795429	Piston Assembly (Standard)	337	491055s	Plug-Spark
	793000	Piston Assembly (.020" Oversize)	346	690661	Screw (Spark Arrester)
26	791969	Ring Set (Standard)	356	692390	Wire-Stop
	793001	Ring Set (.020" Oversize)	358	791797	Gasket Set-Engine
27	691866	Lock-Piston Pin	365	699484	Screw (Carburetor)
28	499423	Pin-Piston	415	693463	Plug (Cylinder)
29	690124	Rod-Connecting	425	699208	Screw (Air Cleaner Cover)
30	791584	Dipper-Connecting Rod	445	491588s	Filter-Air Cleaner Cartridge
32	691664	Screw (Connecting Rod) (Short)	455	692591	Cup-Flywheel
32A	695759	Screw (Connecting Rod) (Long)	456	692299	Plate-Pawl Friction
33	499642	Valve-Exhaust	459	281505s	Pawl-Ratchet
34	795443	Valve-Intake	505	691251	Nut (Governor Control Lever)
35	691304	Spring-Valve (Intake)	535	493537s	Filter-Air Cleaner Foam
36	691304	Spring-Valve (Exhaust)	552	692346	Bushing-Governor Crank
37	699661	Guard-Flywheel	562	691119	Bolt (Governor Control Lever)
40	692194	Retainer-Valve	597	691696	Screw (Pawl Friction Plate)
45	690977	Tappet-Valve	601	791850	Clamp-Hose (Green)
46	693404	Camshaft	608	795930	Starter-Rewind
48	699582	Short Block	613	699209	Screw (Muffler)
51	692555	Gasket-Intake	615	692576	Retainer-Governor Shaft
55	791848	Housing-Rewind Starter	616	692547	Crank-Governor
58	693389	Rope-Starter	619	699230	Screw (Cylinder Head Plate)
60	490652	Grip-Starter Rope	621	692310	Switch-Stop (Brake)
65	699228	Screw (Rewind Starter)	632	693408	Spring/Link-Mechanical Governor
95	691636	Screw (Throttle Valve)	633	693867	Seal-Choke/Throttle Shaft (Choke Shaft)
97	690024	Shaft-Throttle			
98	398185	Kit-Idle Speed	633A	691321	Seal-Choke/Throttle Shaft (Throttle Shaft)
104	691242	Pin-Float Hinge			
108	692567	Valve-Choke	635	692076	Boot-Spark Plug
109	690023	Shaft-Choke	663	699206	Screw (Control Panel)
117	690048	Jet-Main (Standard)	676	392193	Deflector-Muffler
118	497315	Jet-Main (High Altitude)	677	699203	Screw (Muffler Deflector)
121	792006	Kit-Carburetor Overhaul	689	691855	Spring-Friction
122	795643	Spacer-Carburetor	692	695087	Spring-Detent
125	698474	Carburetor	718	690959	Pin-Locating
127	691739	Plug-Welch	741	692565	Gear-Timing
130	691181	Valve-Throttle	742	692564	Retainer-E Ring
133	398187	Float-Carburetor	746	790278	Gear-Idler
134	398188	Kit-Needle/Seat	830	694544	Stud-Rocker Arm
137	693981	Gasket-Float Bowl	832	693583	Guard-Muffler
146	690979	Key-Timing	836	699632	Screw (Muffler Guard)
155	698214	Plate-Cylinder Head	851	493880s	Terminal-Spark Plug
163	696024	Gasket-Air Cleaner	868	795440	Seal-Valve
186	692317	Hose-Connector	869	691115	Seat-Valve
187	791766	Line-Fuel (Cut to Required Length)	883	691893	Gasket-Exhaust
187A	791867	Line-Fuel (Formed)	914	699480	Screw (Rocker Cover) (Bottom)
188	699479	Screw (Control Bracket)	914A	692557	Screw (Rocker Cover) (Top)
190	699220	Screw (Fuel Tank)	914B	697551	Screw (Rocker Cover) (Side)
192	694543	Adjuster-Rocker Arm	957	795027	Cap-Fuel Tank

**TILLER - - MODEL NUMBER 917.299013**  
**ENGINE, BRIGGS -- MODEL NUMBER 121012-0193-B8**

<b>KEY PART</b>		<b>DESCRIPTION</b>
<b>NO.</b>	<b>NO.</b>	
958	698180	Valve-Fuel Shut Off
968	692584	Cover-Air Cleaner
972	694260	Tank-Fuel
975	790559	Bowl-Fuel
993	694088	Gasket-Cylinder Head Plate
1005	692592	Fan-Flywheel
1022	691890	Gasket-Rocker Cover
1023	499924	Cover-Rocker
1026	790287	Rod-Push
1029	691230	Arm-Rocker
1034	691343	Guide-Push Rod
1036		Label-Emissions (Available From A Briggs & Stratton Authorized Dealer)
1058	277040	Operator's Manual
1070	699201	Screw (Flywheel Fan)
1095	791798	Gasket Set-Valve
1210	791849	Pulley/Spring Assembly (Pulley)
1011	791849	Pulley/Spring Assembly (Spring)
1329	122012- 0523-B8	Replacement Engine
1330	276781	Repair Manual
1395	690370	Screw (Air Cleaner Base)

**NOTE:** All component dimensions given in U.S.inches.  
 1 inch = 25.4 mm

# NOTES



## NEED MORE HELP?

You'll find the answer and more on [managemyhome.com](http://managemyhome.com) – for free!

- Find this and all your other product manuals online.
- Get answers from our team of home experts.
- Get a personalized maintenance plan for your home.
- Find information and tools to help with home projects.

**manage my home**

brought to you by Sears

## Get it fixed, at your home or ours!

### Your Home

For repair – **in your home** – of **all** major brand appliances, lawn and garden equipment, or heating and cooling systems, **no matter who made it, no matter who sold it!**

For the replacement parts, accessories and owner's manuals that you need to do-it-yourself.

For Sears professional installation of home appliances and items like garage door openers and water heaters.

**1-800-4-MY-HOME<sup>®</sup>** Anytime, day or night  
(1-800-469-4663) (U.S.A. and Canada)  
[www.sears.com](http://www.sears.com) [www.sears.ca](http://www.sears.ca)

### Our Home

For repair of carry-in products like vacuums, lawn equipment, and electronics, call or go on-line for the nearest **Sears Parts and Repair Center.**

**1-800-488-1222** Anytime, day or night (U.S.A. only)  
[www.sears.com](http://www.sears.com)

To purchase a protection agreement (U.S.A.) or maintenance agreement (Canada) on a product serviced by Sears:

**1-800-827-6655** (U.S.A.) **1-800-361-6665** (Canada)

Para pedir servicio de reparación a domicilio, y para ordenar piezas:

**1-888-SU-HOGAR<sup>®</sup>**  
(1-888-784-6427)

Au Canada pour service en français:

**1-800-LE-FOYER<sup>MC</sup>**  
(1-800-533-6937)  
[www.sears.ca](http://www.sears.ca)

**Sears**

© Sears Brands, LLC

® Registered Trademark / ™ Trademark / ™ Service Mark of Sears Brands, LLC

© Marca Registrada / ™ Marca de Fábrica / ™ Marca de Servicio de Sears Brands, LLC

<sup>MC</sup> Marque de commerce / <sup>MD</sup> Marque déposée de Sears Brands, LLC