

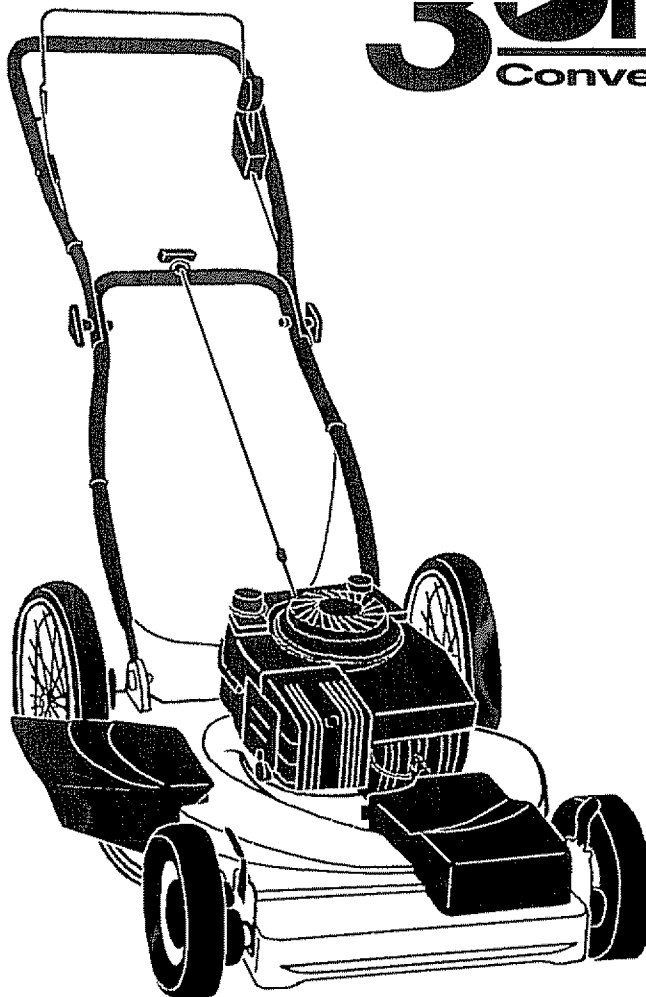
85501-665

**SEARS**

# CRAFTSMAN®

MODEL NUMBER 917.372810 OWNER'S MANUAL

**3one™**  
Convertible



- Assembly
- Operation
- Customer Responsibilities
- Service
- Adjustments
- Repair Parts

**Caution:**  
Read and Follow  
all Safety Rules  
and Instructions  
Before Operating  
This Equipment

146303 10/11/94

Printed in U.S.A.

Sears, Roebuck and Co., Hoffman Estates, IL 60179 U.S.A.

# SAFETY RULES



**CAUTION: ALWAYS DISCONNECT SPARK PLUG WIRE AND PLACE WIRE WHERE IT CANNOT CONTACT SPARK PLUG TO PREVENT ACCIDENTAL STARTING WHEN SETTING UP, TRANSPORTING, ADJUSTING OR MAKING REPAIRS.**



## IMPORTANT

**SAFETY STANDARDS REQUIRE OPERATOR PRESENCE CONTROLS TO MINIMIZE THE RISK OF INJURY. YOUR UNIT IS EQUIPPED WITH SUCH CONTROLS. DO NOT ATTEMPT TO DEFEAT THE FUNCTION OF THE OPERATOR PRESENCE CONTROLS UNDER ANY CIRCUMSTANCES.**

### TRAINING:

- Read this operator's manual carefully. Become familiar with the controls and know how to operate your mower properly. Learn how to quickly stop mower.
- Do not allow children to use your mower. Never allow adults to use mower without proper instructions.
- Keep the area of operation clear of all persons, especially small children and pets.
- Use mower only as the manufacturer intended and as described in this manual.
- Do not operate mower if it has been dropped or damaged in any manner. Always have damage repaired before using your mower.
- Do not use accessory attachments that are not recommended by the manufacturer. Use of such attachments may be hazardous.
- Be aware that the mower blade turns when the engine is running.
- Always stop the engine whenever you leave or are not using your mower, or before crossing driveways, walks, roads, and any gravel-covered areas.
- Never direct discharge of material toward bystanders nor allow anyone near the mower while you are operating it.
- Before cleaning, inspecting, or repairing your mower, stop the engine and make absolutely sure the blade and all moving parts have stopped. Then disconnect the spark plug wire and keep it away from the spark plug to prevent accidental starting.
- Do not continue to run your mower if you hit a foreign object. Follow the procedure outlined above, then repair any damage before restarting and operating your mower.
- Do not change the governor settings or overspeed the engine. Engine damage or personal injury may result.
- Do not operate your mower if it vibrates abnormally. Excessive vibration is an indication of damage; stop the engine, safely check for the cause of vibration and repair as required.
- Do not run the engine indoors. Exhaust fumes are dangerous.
- Never cut grass by pulling the mower towards you. Mow across the face of slopes, never up and down or you might lose your footing. Do not mow excessively steep slopes. Use caution when operating the mower on uneven terrain or when changing directions - maintain good footing.
- Never operate your mower without proper guards, plates, grass catcher or other safety devices in place.

### PREPARATION:

- Always thoroughly check the area to be mowed and clear it of all stones, sticks, wires, bones, and other foreign objects. These objects will be thrown by the blade and can cause severe injury.
- Always wear safety glasses or eye shields when starting and while using your mower.
- Dress properly. Do not operate mower when barefoot or wearing open sandals. Wear only solid shoes with good traction when mowing.
- Check fuel tank before starting engine. Do not fill gas tank indoors, when the engine is running or when the engine is hot. Allow the engine to cool for several minutes before filling the gas tank. Clean off any spilled gasoline before starting the engine.
- Always make wheel height adjustments before starting your mower. Never attempt to do this while the engine is running.
- Mow only in daylight or good artificial light.

### OPERATION:

- Keep your eyes and mind on your mower and the area being cut. Do not let other interests distract you.
- Do not mow wet or slippery grass. Never run while operating your mower. Always be sure of your footing - keep a firm hold on the handles and walk.
- Do not put hands or feet near or under rotating parts. Keep clear of the discharge opening at all times.

### MAINTENANCE AND STORAGE:

- Check the blade and the engine mounting bolts often to be sure they are tightened properly.
- Check all bolts, nuts and screws at frequent intervals for proper tightness to be sure mower is in safe working condition.
- Keep all safety devices in place and working.
- To reduce fire hazard, keep the engine free of grass, leaves or excessive grease and oil.
- Check grass catcher often for deterioration and wear and replace worn bags. Use only replacement bags that are recommended by and comply with specifications of the manufacturer of your mower.
- Always keep a sharp blade on your mower.
- Allow engine to cool before storing in any enclosure.
- Never store mower with fuel in the tank inside a building where fumes may reach an open flame or an ignition source such as a hot water heater, space heater, clothes dryer, etc.



**LOOK FOR THIS SYMBOL TO POINT OUT IMPORTANT SAFETY PRECAUTIONS. IT MEANS - ATTENTION!!! BECOME ALERT!!! YOUR SAFETY IS INVOLVED.**

**CONGRATULATIONS** on your purchase of a Sears Lawn Mower. It has been designed, engineered and manufactured to give you the best possible dependability and performance.

Should you experience any problem you cannot easily remedy, please contact your nearest Sears Authorized Service Center/Department. We have competent, well-trained technicians and the proper tools to service or repair this lawn mower.

Please read and retain this manual. The instructions will enable you to assemble and maintain your lawn mower properly. Always observe the "SAFETY RULES".

MODEL NUMBER	917.372810
SERIAL NUMBER	_____
DATE OF PURCHASE	_____
THE MODEL AND SERIAL NUMBERS WILL BE FOUND ON A DECAL ATTACHED TO THE REAR OF THE LAWN MOWER HOUSING	
YOU SHOULD RECORD BOTH SERIAL NUMBER AND DATE OF PURCHASE AND KEEP IN A SAFE PLACE FOR FUTURE REFERENCE.	

## PRODUCT SPECIFICATIONS

HORSEPOWER:	6.0
DISPLACEMENT:	12.56 CU. IN.
GASOLINE CAPACITY AND TYPE:	1.5 QUARTS UNLEADED REGULAR
OIL TYPE (API-SF/SG):	SAE 30 (ABOVE 32°F) SAE 5W-30 (BELOW 32°F)
OIL CAPACITY:	28 OZS.
SPARK PLUG: (GAP: .030")	CHAMPION RJ19-LM STD361458
VALVE CLEARANCE:	INTAKE: .008 IN. EXHAUST: .008 IN.
SOLID STATE IGNITION AIR GAP:	.0125 IN.
BLADE BOLT TORQUE:	35-40 FT. LBS.

## MAINTENANCE AGREEMENT

A Sears Maintenance Agreement is available on this product. Contact your nearest Sears store for details.

## CUSTOMER RESPONSIBILITIES

- Read and observe the safety rules.
- Follow a regular schedule in maintaining, caring for and using your lawn mower.
- Follow the instructions under "Customer Responsibilities" and "Storage" sections of this owner's manual.

### LIMITED TWO YEAR WARRANTY ON CRAFTSMAN POWER MOWER

For two years from date of purchase, when this Craftsman Lawn Mower is maintained, lubricated, and tuned up according to the operating and maintenance instructions in the owner's manual, Sears will repair free of charge any defect in material or workmanship.

If this Craftsman Lawn Mower is used for commercial or rental purposes, this warranty applies for only 90 days from the date of purchase.

This Warranty does not cover:

- Expendable items which become worn during normal use, such as rotary mower blades, blade adapters, belts, air cleaners and spark plug.
- Repairs necessary because of operator abuse or negligence, including bent crankshafts and the failure to maintain the equipment according to the instructions contained in the owner's manual.

WARRANTY SERVICE IS AVAILABLE BY RETURNING THE CRAFTSMAN POWER MOWER TO THE NEAREST SEARS SERVICE CENTER/DEPARTMENT IN THE UNITED STATES. THIS WARRANTY APPLIES ONLY WHILE THIS PRODUCT IS IN USE IN THE UNITED STATES.

This Warranty gives you specific legal rights, and you may also have other rights which vary from state to state.

SEARS, ROEBUCK AND CO., D/817 WA, HOFFMAN ESTATES, ILLINOIS 60179

# TABLE OF CONTENTS

SAFETY RULES .....	2	SERVICE AND ADJUSTMENTS .....	12
PRODUCT SPECIFICATIONS .....	3	STORAGE .....	14
CUSTOMER RESPONSIBILITIES .....	3, 9-11	TROUBLESHOOTING .....	23
WARRANTY .....	3	REPAIR PARTS - LAWN MOWER .....	15-19
ASSEMBLY .....	5	REPAIR PARTS - ENGINE .....	20-22
OPERATION .....	6	PARTS ORDERING/SERVICE .....	24
MAINTENANCE SCHEDULE .....	9		

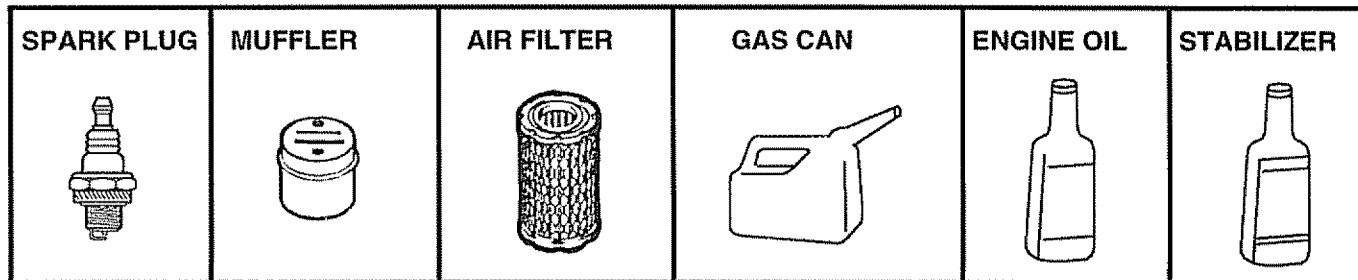
## INDEX

<b>A</b>		<b>E</b>		Operation:	
Accessories .....	5	Engine:		Drive Control .....	7
Adjustments:		Air Filter .....	11	Engine Control .....	7
Carburetor .....	13	Oil Change .....	11	Grass Catcher .....	10
Drive Belt .....	12	Oil Level .....	11	Mower .....	7
Engine Speed .....	13	Oil Type .....	11	Operator Presence	
Handle Height .....	13	Starting .....	8	Control Bar .....	7
Height of Cut .....	7	Stopping .....	8	Options:	
Air Filter:		Storage .....	14	Accessories .....	5
Replacement .....	11	<b>F</b>		<b>R</b>	
Service .....	11	Fuel:		Repair Parts:	
Assembly .....	5	Capacity .....	3	Engine .....	20-22
<b>B</b>		Storage .....	14	Lawn Mower .....	15-19
Blade:		Type .....	8	Responsibilities, Customer .....	3, 9-11
Sharpening .....	10	<b>H</b>		<b>S</b>	
Replacement .....	10	Handle Adjustment:		Safety Rules .....	2
<b>C</b>		Assembly .....	5	Service and Adjustments .....	12
Controls:		Cutting Height .....	13	Carburetor .....	13
Engine Zone Control .....	7	<b>L</b>		Drive Belt .....	12
Engine Speed Control .....	6	Lubrication:		Engine Speed .....	13
Operator Presence		Engine .....	11	Handle .....	13
Control Bar .....	6	Lawn Mower .....	9	Spark Plug .....	11
Customer Responsibilities .....	3, 9-11	<b>M</b>		Specifications .....	3
Air Filter .....	11	Maintenance Agreement .....	3	Speed Control:	
Blade Care/Replacement .....	10	Maintenance Schedule .....	9	Engine .....	12
Drive Wheels .....	10	Mowing Tips .....	8	Starting the Engine .....	8
Engine .....	11	<b>O</b>		Stopping the Engine .....	8
Lubrication .....	11	Oil:		Storage .....	14
Spark Plug .....	11	Engine .....	11	<b>T</b>	
Cutting Levels .....	7	Storage .....	14	Trouble Shooting Chart .....	23
				<b>W</b>	
				Warranty .....	3

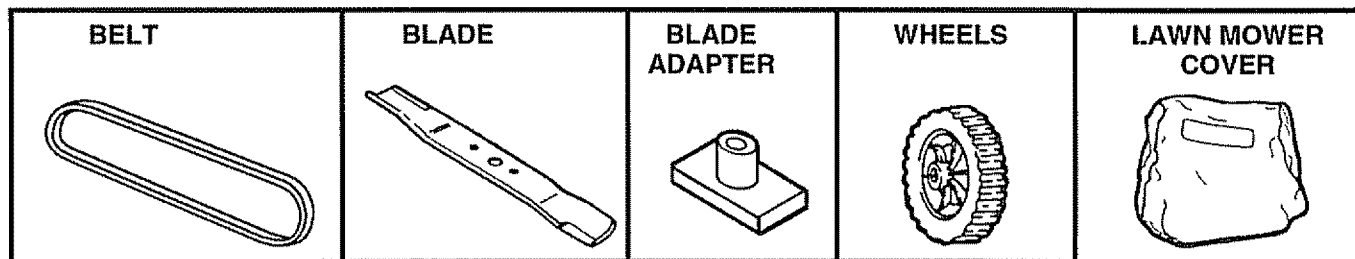
# LAWN MOWER ACCESSORIES

These accessories were available when this lawn mower was produced. They are also available at most Sears retail outlets and service centers. Most Sears stores can also order repair parts for you, when you provide the model number of your lawn mower. Some of these accessories may not apply to your lawn mower.

## ENGINE



## LAWN MOWER MAINTENANCE



# ASSEMBLY

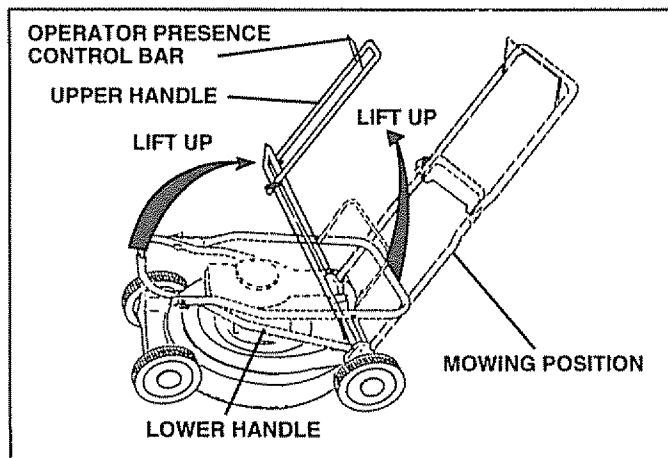
Read these instructions and this manual in its entirety before you attempt to assemble or operate your new lawn mower. Your new lawn mower has been assembled at the factory with the exception of those parts left unassembled for shipping purposes. All parts such as nuts, washers, bolts, etc., necessary to complete the assembly have been placed in the parts bag. To ensure safe and proper operation of your lawn mower, all parts and hardware you assemble must be tightened securely. Use the correct tools as necessary to ensure proper tightness.

## TO REMOVE LAWN MOWER FROM CARTON

- Remove loose parts included with mower.
- Cut down two end corners of carton and lay end panel down flat.
- Remove all packing materials except padding between upper and lower handle and padding holding operator presence control bar to upper handle.
- Roll lawn mower out of carton and check carton thoroughly for additional loose parts.

## HOW TO SET UP YOUR LAWN MOWER TO UNFOLD HANDLE (See Fig. 1)

- Raise handles until lower handle section locks into place in mowing position.



**FIG. 1**

- Raise upper handle section into place on lower handle, remove protective padding and tighten both handle knobs.
- Remove handle padding holding operator presence control bar to upper handle.
- Your lawn mower handle can be adjusted for your mowing comfort. See "TO ADJUST HANDLE" in the Service and Adjustments section of this manual.

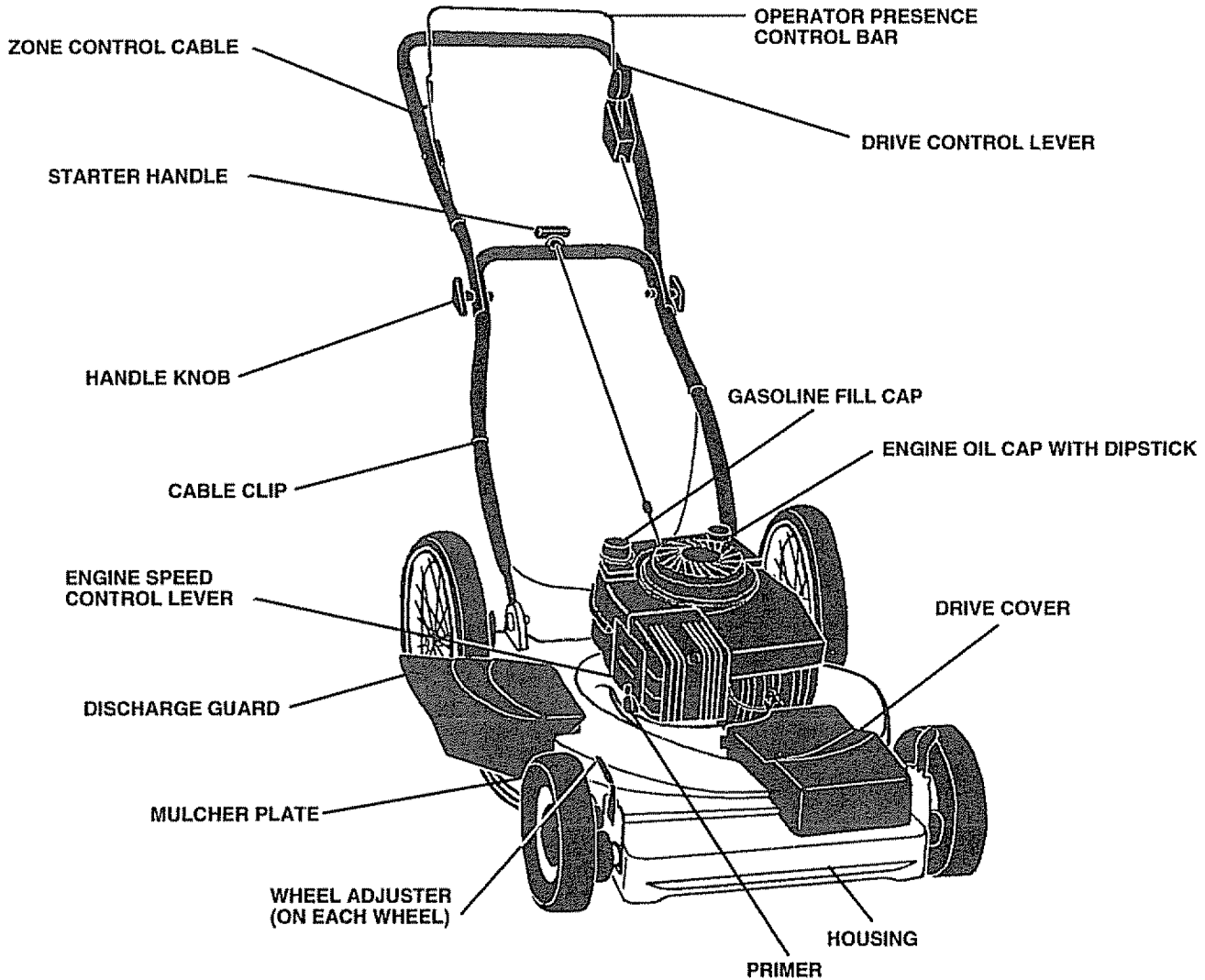
---

# OPERATION

---

## KNOW YOUR LAWN MOWER

READ THIS OWNER'S MANUAL AND SAFETY RULES BEFORE OPERATING YOUR LAWN MOWER. Compare the illustrations with your lawn mower to familiarize yourself with the location of various controls and adjustments. Save this manual for future reference.



---

## MEETS CPSC SAFETY REQUIREMENTS

Sears rotary walk-behind power lawn mowers conform to the safety standards of the American National Standards Institute and the U.S. Consumer Product Safety Commission. The blade turns when the engine is running.

---

**OPERATOR PRESENCE CONTROL** - must be held down to the handle to start the engine. Release to stop the engine.

**STARTER HANDLE** - used for starting the engine.

**DRIVE CONTROL LEVER** - used to engage power-propelled forward motion of lawn mower.

**PRIMER** - pumps additional fuel from the carburetor to the cylinder for use when starting a cold engine.

**ENGINE SPEED CONTROL LEVER** - located on the side of the engine which allows you to select either high (H) or low (L) engine speed.

**MULCHER PLATE** - located at the discharge opening, must be removed when converting to bagging or discharging operation.

# OPERATION

## HOW TO USE YOUR LAWN MOWER ENGINE SPEED (See Fig. 2)

The engine speed is controlled by a lever located on the side of the engine. High (☞) position is for starting engine, normal cutting and better grass bagging. Low (☜) position is for light cutting, trimming and fuel economy.

## ENGINE ZONE CONTROL



**CAUTION:** Federal regulations require an engine control to be installed on this lawn mower in order to minimize the risk of blade contact injury. Do not under any circumstances attempt to defeat the function of the operator control. The blade turns when the engine is running.

- Your lawn mower is equipped with an operator presence control bar which requires the operator to be positioned behind the lawn mower handle to start and operate the lawn mower.

## TO ADJUST CUTTING HEIGHT (See Fig. 3)

- Raise wheels for low cut and lower wheels for high cut.
- Wheels are set in low cut for shipping. Adjust cutting height to suit your requirements. Medium position is best for most lawns.
- To change cutting height, squeeze adjuster lever toward wheel. Move wheel up or down to suit your requirements. Be sure all wheels are in the same setting.

## DRIVE CONTROL (See Fig. 4)

- Self-propelling is controlled by holding the operator presence control bar down to the handle and pushing the drive control lever forward until it clicks; then release the lever.
- Forward motion will stop when the operator presence control bar is released. To stop forward motion without stopping engine, release the operator presence control bar slightly until the drive control disengages. Hold operator presence control bar down to handle to continue mowing without self-propelling.
- To keep drive control engaged when turning corners, push down on handle and lift front wheels off ground while turning lawn mower.

## TO CONVERT TO DISCHARGING MOWER (See Fig. 5)

Your mower is shipped ready to be used as a mulcher. To convert to bagging or discharging:

- Lift discharge guard and remove mulcher plate.
- Mower can now be used for side discharging or optional grass catcher can be attached.
- To return to mulching operation, simply reinstall mulcher plate as shown.



**CAUTION:** Do not run your lawn mower without discharge guard, approved grass catcher or mulcher plate in place.

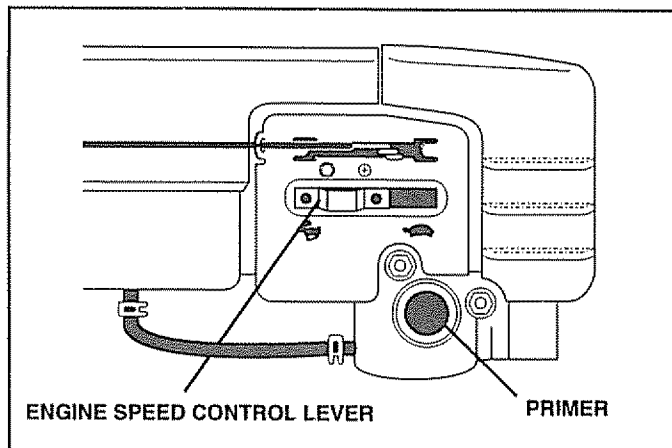


FIG. 2

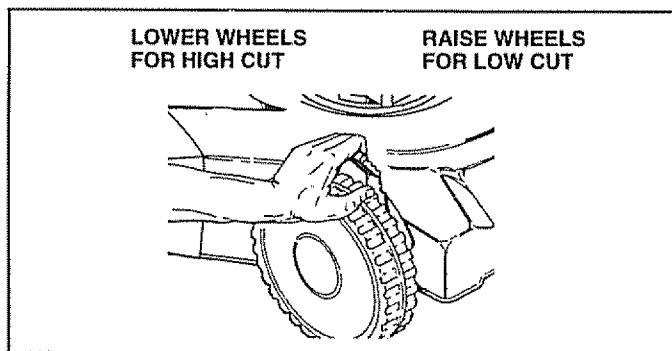


FIG. 3

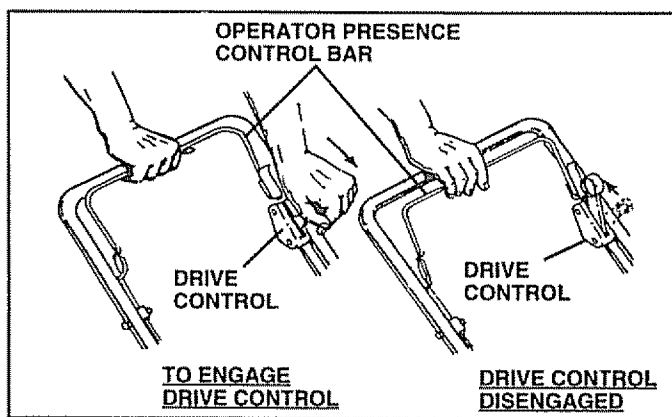


FIG. 4

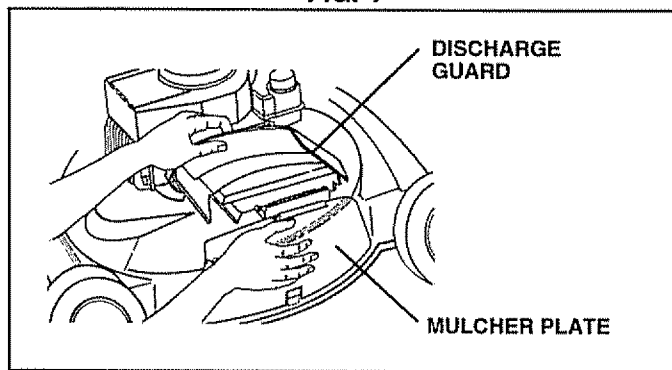


FIG. 5

# OPERATION

## BEFORE STARTING ENGINE

### OIL (See Fig. 6)

Your lawn mower is shipped without oil in the engine.

- Be sure mower is level and area around oil fill is clean.
- Remove engine oil cap w/dipstick and fill to the full line on the dipstick.
- Use 28 ozs. of oil. For type and grade of oil to use, see "ENGINE" in Customer Responsibilities section of this manual.
- Pour oil slowly. Do not over fill.
- Check oil level before each use. Add oil if needed. Fill to full line on dipstick.
- To read proper level, tighten engine oil cap each time.
- Reinstall engine oil cap and tighten.
- After the first two (2) hours of mowing, change the oil, and every 25 hours thereafter. You may need to change the oil more often under dusty, dirty conditions.

### GAS (See Fig. 6)

- Fill gasoline tank with fresh, clean, unleaded gasoline. **DO NOT USE PREMIUM GASOLINE. BE CAREFUL NOT TO OVER FILL TANK.**

**WARNING:** Experience indicates that alcohol blended fuels (called gasohol or using ethanol or methanol) can attract moisture which leads to separation and formation of acids during storage. Acidic gas can damage the fuel system of an engine while in storage. To avoid engine problems, the fuel system should be emptied before storage of 30 days or longer. Drain the fuel tank, start the engine and let it run until fuel lines and carburetor are empty. Use fresh fuel next season. See Storage Instructions for additional information. Never use engine or carburetor cleaner products in fuel tank or permanent damage may occur.

## TO START ENGINE

- To start a cold engine, push primer five (5) times before trying to start. Use a firm push. This step is not usually necessary when starting an engine which has already run for a few minutes.
- Move engine speed control lever to high (H) position.
- Hold operator presence control bar down to the handle and pull starter handle quickly. Do not allow starter rope to snap back.
- To stop engine, release operator presence control bar.

**NOTE:** In cooler weather it may be necessary to repeat priming steps. In warmer weather over priming may cause flooding and engine will not start. If you do flood engine wait a few minutes before attempting to start and do not repeat priming steps.

## MOWING TIPS

- Under certain conditions, such as very tall grass, it may be necessary to raise the height of cut to reduce pushing effort and to keep from overloading the engine and leaving clumps of grass clippings.
- For extremely heavy cutting, reduce the width of cut by overlapping previously cut path and mow slowly.
- For better grass bagging and most cutting conditions, the engine speed should be set in the high (H) position.
- For side discharge lawn mowers, cutting in a counter-clockwise direction, starting at the outside of the area to be cut, spreads grass clippings more evenly and puts less load on the engine. To keep clippings off of walkways, flower beds, etc., make the first cuts in a clockwise direction.

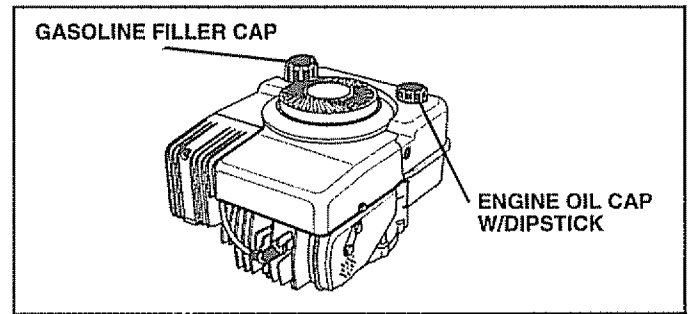


FIG. 6

- Pores in cloth grass catchers can become filled with dirt and dust with use and catchers will collect less grass. To prevent this, regularly hose catcher off with water and let dry before using.
- Keep top of engine around starter clear and clean of grass clippings and chaff. This will help engine air flow and extend engine life.

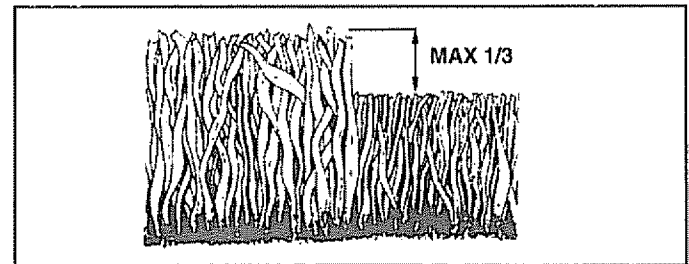


FIG. 7

## MULCHING MOWING TIPS

**IMPORTANT:** FOR BEST PERFORMANCE, KEEP MOWER HOUSING FREE OF BUILT-UP GRASS AND TRASH. SEE "CLEANING" IN CUSTOMER RESPONSIBILITIES SECTION OF THIS MANUAL.

- The special mulching blade will recut the grass clippings many times and reduce them in size so that as they fall onto the lawn they will disperse into the grass and not be noticed. Also, the mulched grass will biodegrade quickly to provide nutrients for the lawn. Always mulch with your highest engine (blade) speed as this will provide the best recutting action of the blades.
- Avoid cutting your lawn when it is wet. Wet grass tends to form clumps and interferes with the mulching action. The best time to mow your lawn is the early afternoon. At this time the grass has dried and the newly cut area will not be exposed to the direct sun.
- For best results, adjust the lawn mower cutting height so that the lawn mower cuts off only the top one-third of the grass blades (See Fig. 7). If the lawn is overgrown it will be necessary to raise the height of cut to reduce pushing effort and to keep from overloading the engine and leaving clumps of mulched grass. For extremely heavy mulching, reduce your width of cut by overlapping previously cut path and mow slowly.
- Certain types of grass and grass conditions may require that an area be mulched a second time to completely hide the clippings. When doing a second cut, mow across or perpendicular to the first cut path.
- Change your cutting pattern from week to week. Mow north to south one week then change to east to west the next week. This will help prevent matting and graining of the lawn.



# CUSTOMER RESPONSIBILITIES

MAINTENANCE SCHEDULE		SERVICE INTERVALS							SERVICE DATES				
		BEFORE EACH USE	AFTER EACH USE	FIRST 2 HOURS	EVERY 5 HOURS	EVERY 25 HOURS	EVERY SEASON	BEFORE STORAGE					
<b>MOWER</b>	Check for Loose Fasteners	✓						✓					
	Clean/Inspect Grass Catcher (If Equipped)	✓	✓					✓					
	Clean Lawn Mower		✓					✓					
	Inspect/Clean Drive Wheels (Self-Propelled Mowers)	✓			✓								
	Sharpen/Replace Mower Blade					✓ <sub>3</sub>							
	Lubrication Chart					✓		✓					
	Clean Battery/Recharge (Electric Start Mowers)					✓		✓ <sub>4</sub>					
<b>ENGINE</b>	Check Engine Oil Level	✓		✓									
	Change Engine Oil		✓		✓ <sub>1,2</sub>								
	Clean Air Filter				✓ <sub>2</sub>								
	Inspect Muffler				✓								
	Replace Spark Plug						✓						
	Replace Air Filter Paper Cartridge						✓ <sub>2</sub>						

- 1 - Change more often when operating under a heavy load or in high ambient temperatures.
- 2 - Service more often when operating in dirty or dusty conditions
- 3 - Replace blades more often when mowing in sandy soil.
- 4 - Charge 48 hours at end of season.

## GENERAL RECOMMENDATIONS

The warranty on this lawn mower does not cover items that have been subjected to operator abuse or negligence. To receive full value from the warranty, operator must maintain mower as instructed in this manual.

Some adjustments will need to be made periodically to properly maintain your unit.

All adjustments in the Service and Adjustments section of this manual should be checked at least once each season.

- Once a year, replace the spark plug, replace air filter element and check blade for wear. A new spark plug and clean/new air filter element assures proper air-fuel mixture and helps your engine run better and last longer.
- Follow the maintenance schedule in this manual.

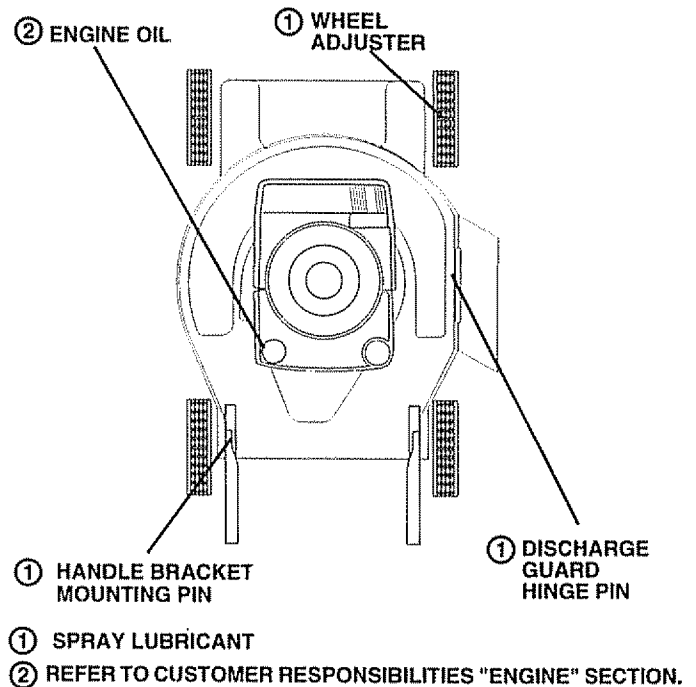
### BEFORE EACH USE

- Check engine oil level.
- Check for loose fasteners.

### LUBRICATION

Keep unit well lubricated (See "LUBRICATION CHART").

## LUBRICATION CHART



**IMPORTANT:** DO NOT OIL OR GREASE PLASTIC WHEEL BEARINGS. VISCOUS LUBRICANTS WILL ATTRACT DUST AND DIRT THAT WILL SHORTEN THE LIFE OF THE SELF LUBRICATING BEARINGS. IF YOU FEEL THEY MUST BE LUBRICATED, USE ONLY A DRY, POWDERED GRAPHITE TYPE LUBRICANT SPARINGLY.

# CUSTOMER RESPONSIBILITIES

## LAWN MOWER

Always observe safety rules when performing any maintenance.

### TIRES

- Keep tires free of gasoline, oil, or insect control chemicals which can harm rubber.
- Avoid stumps, stones, deep ruts, sharp objects and other hazards that may cause tire damage.

### BLADE CARE

For best results, mower blade must be kept sharp. Replace bent or damaged blades.

#### TO REMOVE BLADE (See Fig. 8)

- Disconnect spark plug wire from spark plug and place wire where it cannot come in contact with spark plug.
- Turn lawn mower on its side. Make sure air filter and carburetor are up.
- Use a wood block between blade and mower housing to prevent blade from turning when removing blade bolt.
- Protect your hands with gloves and/or wrap blade with heavy cloth.
- Remove blade bolt by turning counter-clockwise. Use a 9/16" box or open-end wrench.
- Remove blade and attaching hardware (bolt, lock washer and hardened washer).

**NOTE:** Remove the blade adapter and check the key inside hub of blade adapter. The key must be in good condition to work properly. Replace adapter if damaged.

#### TO REPLACE BLADE (See Fig. 8)

- Position the blade adapter on the engine crankshaft. Be sure key in adapter and crankshaft keyway are aligned.
- Position blade on the blade adapter aligning the two (2) holes in the blade with the raised lugs on the adapter.
- Be sure the trailing edge of blade (opposite sharp edge) is up toward the engine.
- Install the blade bolt with the lock washer and hardened washer into blade adapter and crankshaft.
- Use block of wood between blade and lawn mower housing and tighten the blade bolt, turning clockwise.
- The recommended tightening torque is 35-40 ft. lbs.

**IMPORTANT:** BLADE BOLT IS GRADE 8 HEAT TREATED.

**NOTE:** We do not recommend sharpening blade - but if you do, be sure the blade is balanced.

#### TO SHARPEN BLADE

Care should be taken to keep the blade balanced. An unbalanced blade will cause eventual damage to lawn mower or engine.

- The blade can be sharpened with a file or on a grinding wheel. Do not attempt to sharpen while on the mower.
- To check blade balance, drive a nail into a beam or wall. Leave about one inch of the straight nail exposed. Place center hole of blade over the head of the nail. If blade is balanced, it should remain in a horizontal position. If either end of the blade moves downward, sharpen the heavy end until the blade is balanced.

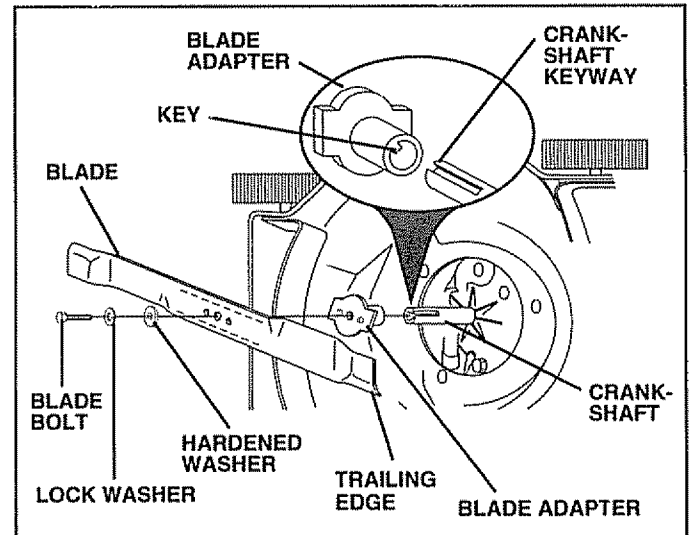


FIG. 8

## GEAR CASE

- To keep your drive system working properly, the gear case and area around the drive should be kept clean and free of trash build-up. Clean under the drive cover twice a season.
- The gear case is filled with lubricant to the proper level at the factory. The only time the lubricant needs attention is if service has been performed on the gear case.
- If lubricant is required, use only Texaco Starplex Premium Grease, part no. 750369. Do not substitute.

## DRIVE WHEELS

Check front drive wheels each time before you mow to be sure they move freely.

The wheels not turning freely means trash, grass cuttings, etc. are in the drive wheel area and must be cleaned to free drive wheels.

If necessary to clean the drive wheels, check both front wheels.

- Remove hubcaps, hairpin cotters and washers.
- Remove wheels from wheel adjusters.
- Remove any trash or grass cuttings from inside the dust cover, pinion and/or drive wheel gear teeth.
- Put wheels back in place.
- If after cleaning, the drive wheels do not turn freely, contact your nearest authorized service center.

## GRASS CATCHER

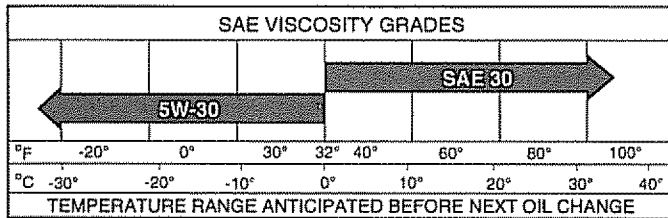
(If purchased as an accessory)

- The grass catcher may be hosed with water, but must be dry when used.
- Check your grass catcher often for damage or deterioration. Through normal use it will wear. If catcher needs replacing, replace only with a manufacturer approved replacement catcher. Give the lawn mower model number when ordering.

# CUSTOMER RESPONSIBILITIES

## ENGINE LUBRICATION

Use only high quality detergent oil rated with API service classification SFor SG. Select the oil's SAE viscosity grade according to your expected operating temperature.



**NOTE:** Although multi-viscosity oils (5W30, 10W30 etc.) improve starting in cold weather, these multi-viscosity oils will result in increased oil consumption when used above 32°F. Check your engine oil level more frequently to avoid possible engine damage from running low on oil.

Change the oil after the first two hours of operation and every 25 hours thereafter or at least once a year if the lawn mower is not used for 25 hours in one year.

Check the crankcase oil level before starting the engine and after each five (5) hours of continuous use. Tighten oil plug securely each time you check the oil level.

### TO CHANGE ENGINE OIL (See Fig. 9)

- Disconnect spark plug wire from spark plug and place wire where it cannot come in contact with spark plug.
- Remove engine oil cap; lay aside on a clean surface.
- Tip lawn mower on its side and drain oil into a suitable container. Rock lawn mower back and forth to remove any oil trapped inside of engine.
- Wipe off any spilled oil on lawn mower and on side of engine.
- Fill engine with oil. Fill only to the "FULL" line on the dipstick. DO NOT OVER FILL.
- Replace engine oil cap.
- Reconnect spark plug wire to spark plug.

## AIR FILTER

Your engine will not run properly and may be damaged by using a dirty air filter.

Replace the air filter every year, more often if you mow in very dusty, dirty conditions. Do not wash air filter.

### TO CHANGE AIR FILTER (See Fig. 10)

- Loosen cover screw.
- Swing cover down and remove from hinge.
- Pull paper filter out of air cleaner body.
- Clean air cleaner cover and body.
- Install a new paper filter.
- Reinstall cover to air cleaner body. Be sure hinge is assembled properly.
- Swing cover up and tighten cover screw. (Do not overtighten).

## MUFFLER

Inspect and replace corroded muffler as it could create a fire hazard and/or damage.

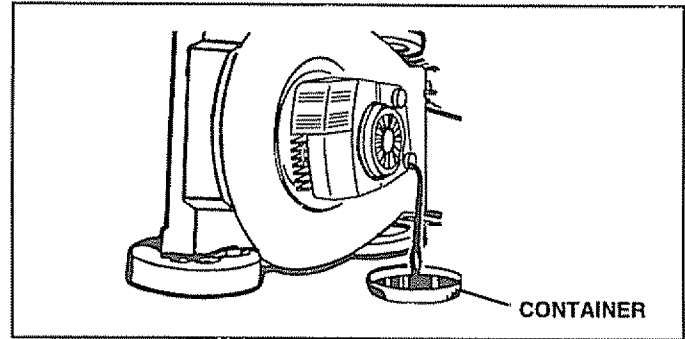


FIG. 9

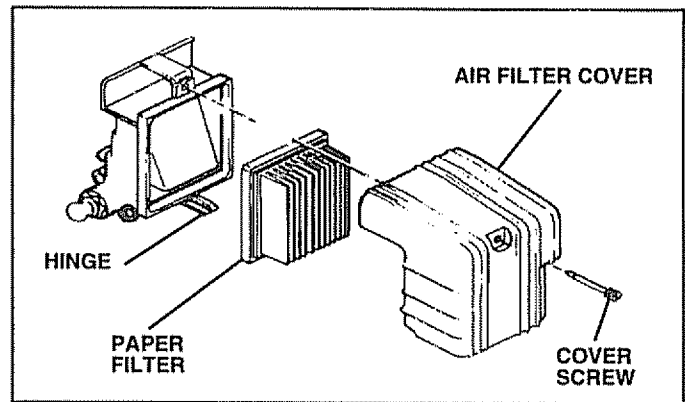


FIG. 10

## SPARK PLUG

Change your spark plug each year to make your engine start easier and run better. Set spark plug gap at .030 inch.

## CLEANING

**IMPORTANT:** FOR BEST PERFORMANCE, KEEP MOWER HOUSING FREE OF BUILT-UP GRASS AND TRASH. CLEAN THE UNDERSIDE OF YOUR MOWER AFTER EACH USE.



**CAUTION:** Disconnect spark plug wire from spark plug and place wire where it cannot come in contact with the spark plug.

- Turn lawn mower on its side. Make sure air filter and carburetor are up. Clean the underside of your lawn mower by scraping to remove build-up of grass and trash.
- Clean engine often to keep trash from accumulating. A clogged engine runs hotter and shortens engine life.
- Keep finished surfaces and wheels free of all gasoline, oil, etc.
- We do not recommend using a garden hose to clean lawn mower unless the electrical system, muffler, air filter and carburetor are covered to keep water out. Water in engine can result in shortened engine life.

## CLEAN UNDER DRIVE COVER

Clean under drive cover at least twice a season. Scrape underside of cover with putty knife or similar tool to remove any build-up of trash or grass on underside of drive cover.

# SERVICE AND ADJUSTMENTS



## CAUTION: BEFORE PERFORMING ANY SERVICE OR ADJUSTMENTS:

- Release control bar.
- Make sure the blade and all moving parts have completely stopped.
- Disconnect spark plug wire from spark plug and place where it cannot come in contact with plug.

## LAWN MOWER

### TO ADJUST CUTTING HEIGHT

See "TO ADJUST CUTTING HEIGHT" in the Operation section of this manual.

### REAR DEFLECTOR

The rear deflector, attached between the rear wheels of your mower, is provided to minimize the possibility that objects will be thrown out of the rear of the mower into the operator mowing position. If the deflector becomes damaged, it should be replaced.

### DISCHARGE GUARD

The discharge guard, attached to the discharge opening of your lawn mower, is provided to prevent the possibility of injury resulting from objects being thrown out of the discharge opening into the operator mowing position. If the discharge guard becomes damaged, it should be replaced.

### TO REMOVE/REPLACE DRIVE BELT

(See Fig. 11)

- Remove drive cover. Remove belt by pushing down on gear case pulley.
- Turn lawn mower on its side with carburetor and fuel cap up.
- Remove blade.
- Remove debris shield.
- Remove belt from engine pulley on crankshaft.
- Install new belt by reversing above steps.
- Always use factory approved belt to assure fit and long life.

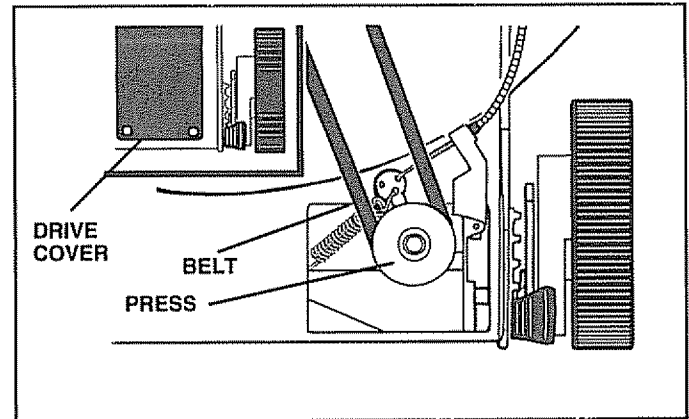


FIG. 11

# SERVICE AND ADJUSTMENTS

## TO ADJUST HANDLE (See Figs. 12 Thru 14)

Your lawn mower handle can be raised or lowered for your mowing comfort. Four (4) positions are available: high, medium high, medium low and low. Handles are shipped mounted in the medium low position.

- To change from medium low to medium high position, the upper and lower handle sections will have to be turned over (See Fig. 12B).
- Remove the controls and operator presence control bar from the upper handle.
- Remove the starter rope guide from the lower handle.
- Remove hairpin cotters.
- Disconnect the lower handle from the handle brackets (See Fig. 14).
- Turn the handle over and reassemble the hairpin cotters that have been removed.
- Reassemble the starter rope guide.
- Reassemble the controls and the operator presence control bar to the upper handle.



**CAUTION:** The operator presence control bar must pivot freely to permit blade brake engagement when control bar is released. Do not overtighten the fasteners holding the controls to the upper handle.

- To change from medium low to high position only the upper handle section will have to be turned over (See Fig. 13A).
- To change from medium low to low position, only the lower handle section will have to be turned over (See Fig. 13B).

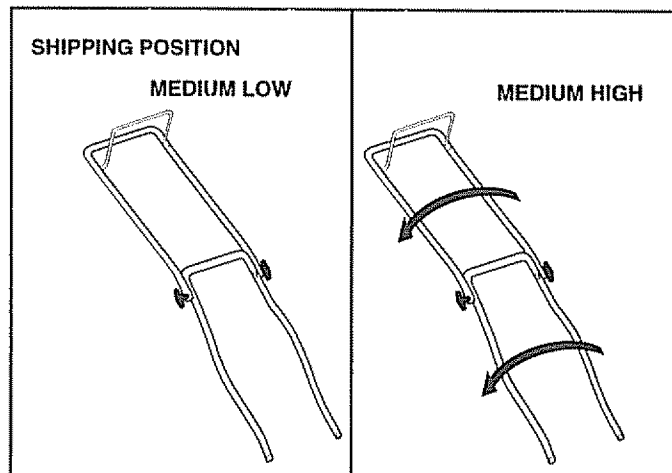


FIG. 12A

FIG. 12B

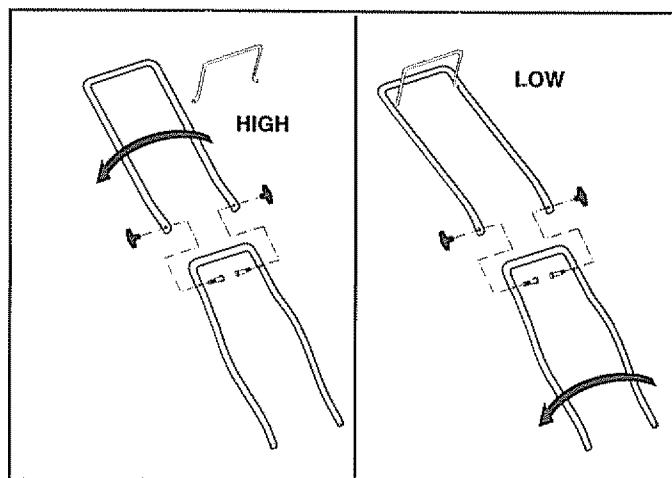


FIG. 13A

FIG. 13B

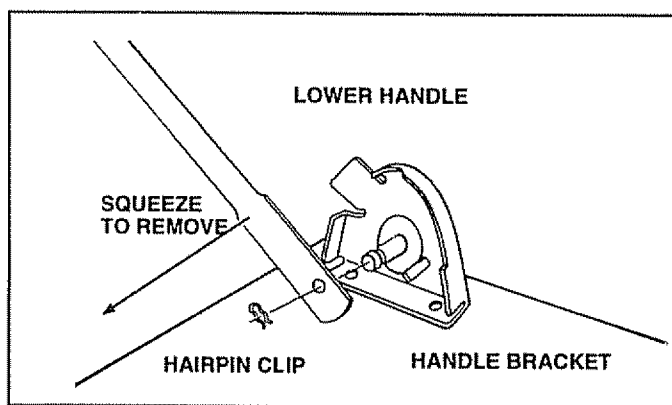


FIG. 14

## ENGINE

### ENGINE SPEED

Your engine speed has been factory set. Do not attempt to increase engine speed or it may result in personal injury. If you believe that engine is running too fast or too slow, take your mower to an authorized service center for repair and adjustment.

### CARBURETOR

Your carburetor has a non-adjustable fixed main jet for mixture control. If your engine does not operate properly due to suspected carburetor problems, take your lawn mower to an authorized service center for repair and adjustment.

# STORAGE

Immediately prepare your lawn mower for storage at the end of the season or if the unit will not be used for 30 days or more.

## LAWN MOWER

When lawn mower is to be stored for a period of time, clean it thoroughly, remove all dirt, grease, leaves, etc. Store in a clean, dry area.

- Clean entire lawn mower (See "CLEANING" in the Customer Responsibilities section of this manual).
- Lubricate as shown in the Customer Responsibilities section of this manual.
- Be sure that all nuts, bolts, screws, and pins are securely fastened. Inspect moving parts for damage, breakage and wear. Replace if necessary.
- Touch up all rusted or chipped paint surfaces; sand lightly before painting.

## HANDLE (See Fig. 15)

You can fold your lawn mower handle for storage.

- Squeeze the bottom ends of the lower handle toward each other until the lower handle clears the handle bracket, then move handle forward.
- Loosen upper handle mounting bolts enough to allow upper handle to be folded back.

**IMPORTANT:** WHEN FOLDING THE HANDLE FOR STORAGE OR TRANSPORTATION, BE SURE TO FOLD THE HANDLE AS SHOWN OR YOU MAY DAMAGE THE CONTROL CABLES.

- When setting up your handle from the storage position, the lower handle will automatically lock into the mowing position.

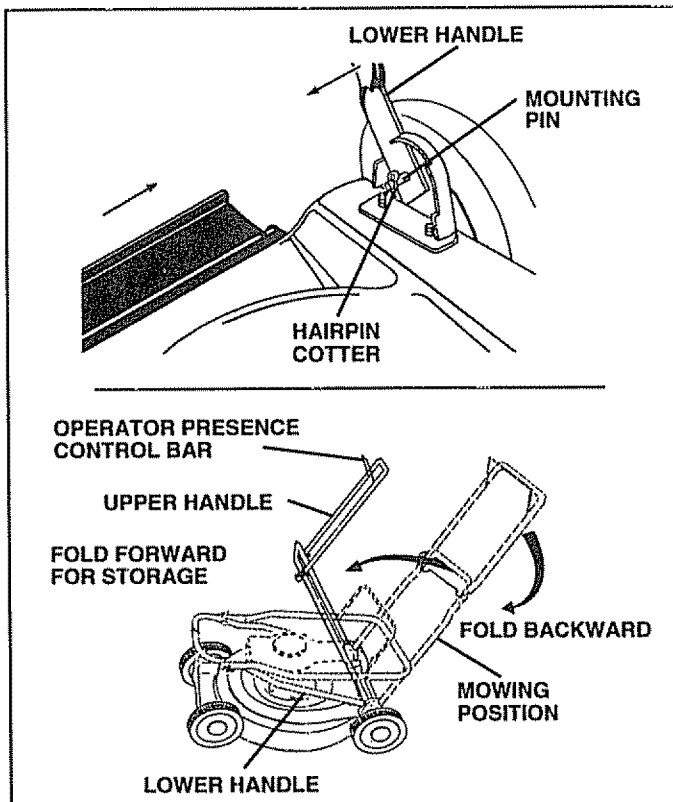


FIG. 15

## ENGINE FUEL SYSTEM

**IMPORTANT:** IT IS IMPORTANT TO PREVENT GUM DEPOSITS FROM FORMING IN ESSENTIAL FUEL SYSTEM PARTS SUCH AS CARBURETOR, FUEL FILTER, FUEL HOSE, OR TANK DURING STORAGE. ALSO, EXPERIENCE INDICATES THAT ALCOHOL BLENDED FUELS (CALLED GASOHOL OR USING ETHANOL OR METHANOL) CAN ATTRACT MOISTURE WHICH LEADS TO SEPARATION AND FORMATION OF ACIDS DURING STORAGE. ACIDIC GAS CAN DAMAGE THE FUEL SYSTEM OF AN ENGINE WHILE IN STORAGE.

- Drain the fuel tank.
- Start the engine and let it run until the fuel lines and carburetor are empty.
- Never use engine or carburetor cleaner products in the fuel tank or permanent damage may occur.
- Use fresh fuel next season.

**NOTE:** Fuel stabilizer is an acceptable alternative in minimizing the formation of fuel gum deposits during storage. Add stabilizer to gasoline in fuel tank or storage container. Always follow the mix ratio found on stabilizer container. Run engine at least 10 minutes after adding stabilizer to allow the stabilizer to reach the carburetor. Do not drain the gas tank and carburetor if using fuel stabilizer.

## ENGINE OIL

Drain oil (with engine warm) and replace with clean engine oil. (See "ENGINE" in the Customer Responsibilities section of this manual).

## CYLINDER

- Remove spark plug.
- Pour one ounce (29 ml) of oil through spark plug hole into cylinder.
- Pull starter handle slowly a few times to distribute oil.
- Replace with new spark plug.

## OTHER

- Do not store gasoline from one season to another.
- Replace your gasoline can if your can starts to rust. Rust and/or dirt in your gasoline will cause problems.
- If possible, store your unit indoors and cover it to give protection from dust and dirt.
- Cover your unit with a suitable protective cover that does not retain moisture. Do not use plastic. Plastic cannot breathe which allows condensation to form and will cause your unit to rust.

**IMPORTANT:** NEVER COVER MOWER WHILE ENGINE AND EXHAUST ARE STILL WARM.

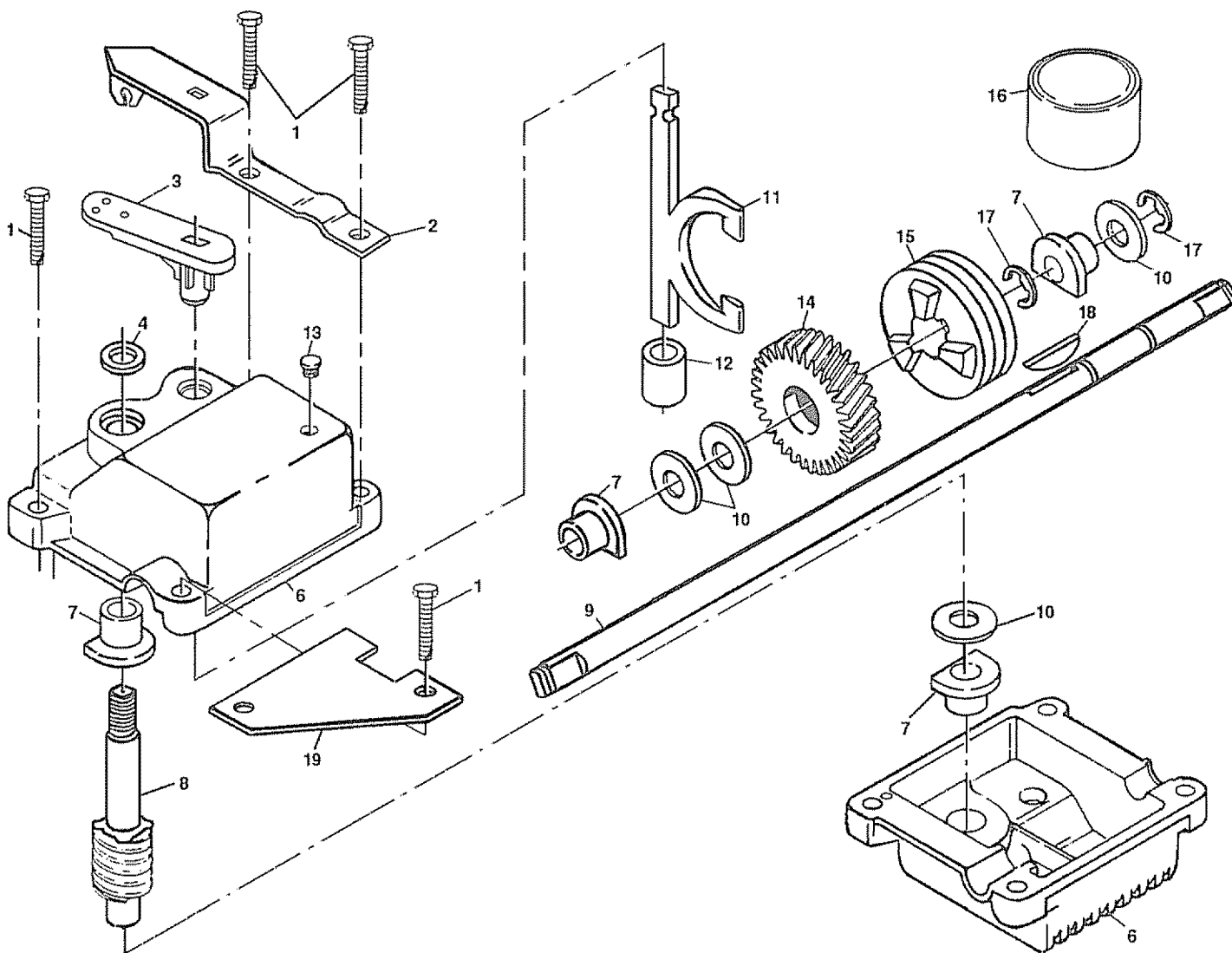


**CAUTION:** Never store the lawn mower with gasoline in the tank inside a building where fumes may reach an open flame or spark. Allow the engine to cool before storing in any enclosure.

# REPAIR PARTS

POWER PROPELLED LAWN MOWER - - MODEL NO. 917.372810

GEAR CASE ASSEMBLY PART NUMBER 702511



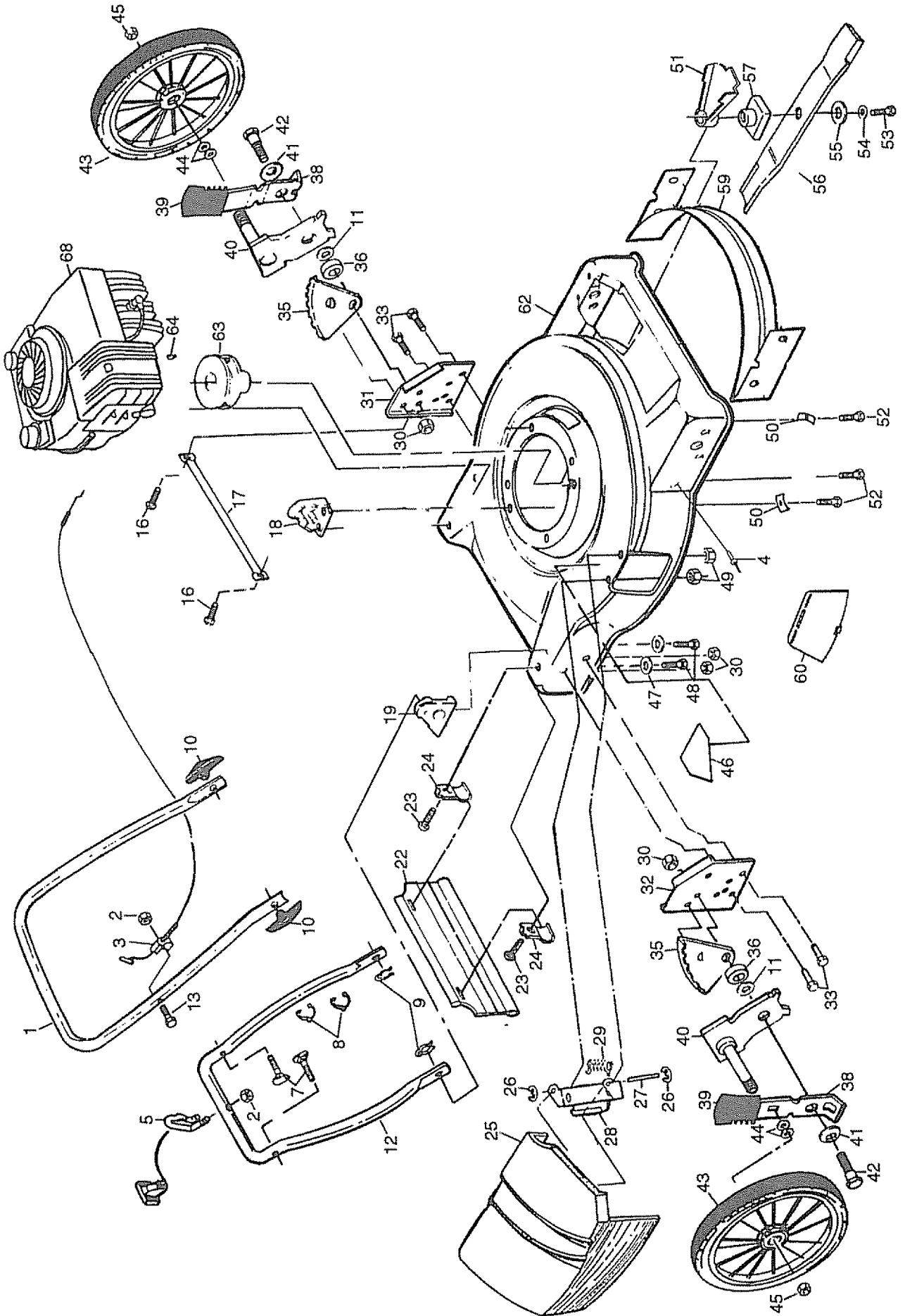
KEY NO.	PART NO.	DESCRIPTION
1	17490416	Tapping Screw 1/4-20 x 1-1/4
2	137055X004	Engagement Bracket
3	137053	Shifter
4	57072	Seal
6	48373	Gear Case Halves Kit (Includes Key Nos. 4, 5, and 7)
7	77881	Bearing
8	137051	Worm Shaft
9	137074	Drive Shaft
10	57079	Hardened Washer
11	131484	Clutch Yoke

KEY NO.	PART NO.	DESCRIPTION
12	700343	Bushing
13	86447	Plug
14	137050	Helical Gear
15	750436X	Clutch Jaw
16	750369	Grease
17	12000003	E-Ring
18	850848	Hi-Pro Key
19	81585X004	Spring Bracket

**NOTE:** All component dimensions given in U.S. inches.  
1 inch = 25.4 mm

# REPAIR PARTS

## ROTARY LAWN MOWER - MODEL NO. 917.372810





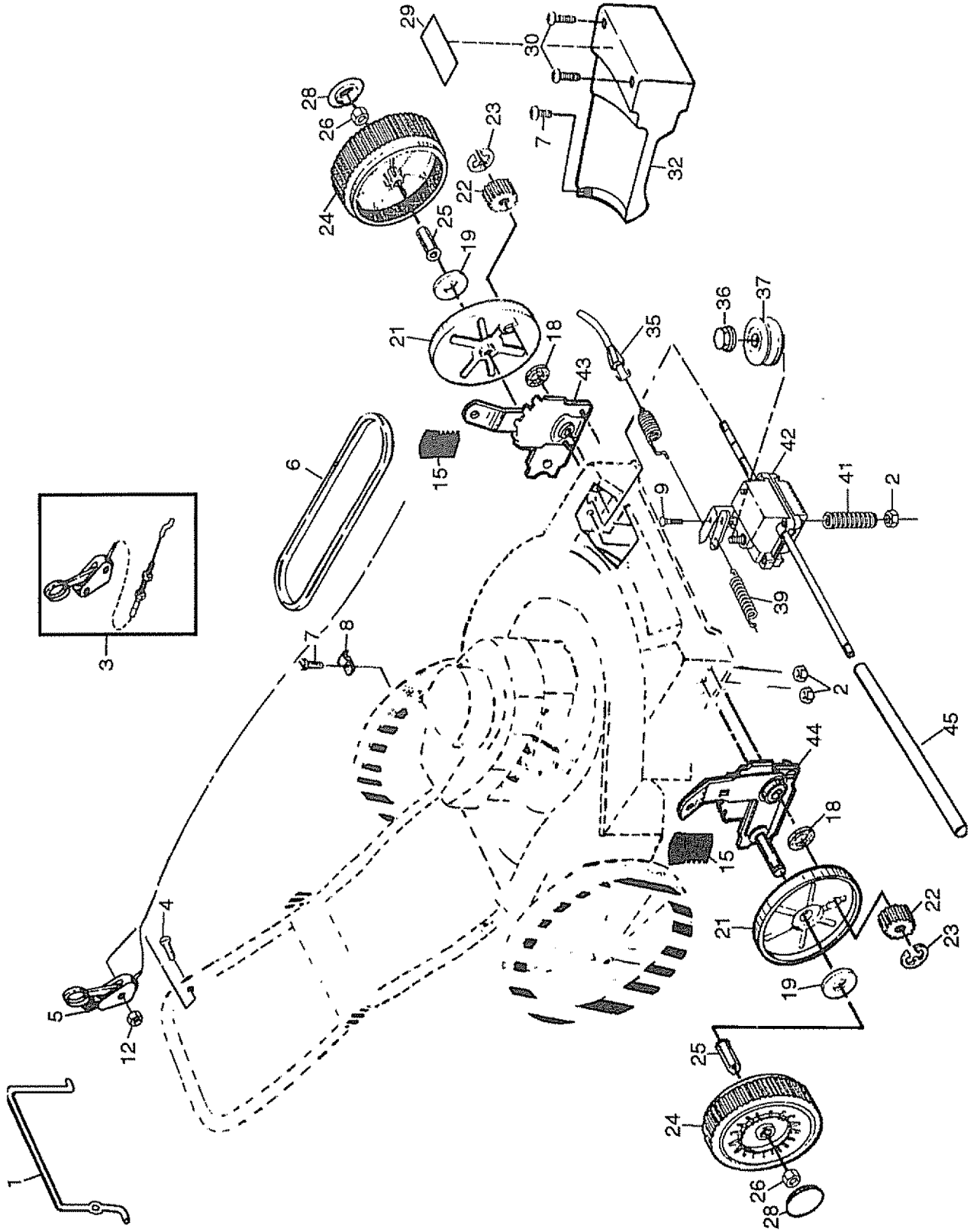
# REPAIR PARTS

## ROTARY LAWN MOWER - MODEL NO. 917.372810

KEY NO.	PART NO.	DESCRIPTION	KEY NO.	PART NO.	DESCRIPTION
1	145646X479	Upper Handle	41	61651	Spring Washer Rear H/W
2	STD541425	Locknut	42	142748	Shoulder Bolt
3	130861	Zone Control Cable	43	88017	Wheel & Tire Assembly
4	128415	Pop Rivet	44	57143	Wave Washer
5	103672X	Rope Guide	45	83923	Locknut 3/8-16
7	131959	Handle Bolt	46	107339X	Danger Decal
8	85827	Cable Clip	47	59289	Flat Washer
9	51793	Hairpin Cotter	48	55187	Thread Cutting Screw 5/16-18 x 3/4
10	136376	Handle Knob	49	STD541425	Locknut
11	88348	Flat Washer 3/8	50	851201X004	Washer
12	84676X479	Lower Handle	51	134612	Debris Shield
13	74350424	Hex Head Screw 1/4-20 x 1-1/2	52	850998	Hex Head Thread Rolling Screw 3/8-16 x 1/8
16	STD512505	Hex Tapping Screw 1/4-20 x 1/2	53	851084	Hex Head Screw 3/8-24 x 1-3/8 (Grd. 8)
17	750157	Support Rod	54	850263	Helical Lock Washer
18	701971X479	Handle Bracket Assembly (Left)	55	851074	Hardened Washer
19	701969X479	Handle Bracket Assembly (Right)	56	700973	Blade 22"
22	128797	Rear Deflector	57	851514	Blade Adapter
23	750097	Hex Washer Head Screw #10-24 x 1/2	59	700869X479	Front Baffle
24	87584X004	Deflector Bracket	60	751772X479	Mulcher Plate
25	750149	Discharge Guard	62	48324	Lawn Mower Housing (Incl. Ref. #46,59)
26	12000014	E-Ring	63	85543	Engine Pulley
27	87590	Hinge Rod	64	87677	Hi-Pro Key #HP 505
28	87593	Housing Bracket	68	146278	Engine - Craftsman Model No. 143.956000
29	87589	Torsion Spring	- -	134027X479	Rear Baffle (Not Shown)
30	751592	Locknut	- -	146303	Owner's Manual (English/Spanish)
31	750388X479	Support Bracket (Left)	Available accessories not included with lawn mower:		
32	750386X479	Support Bracket (Right)	71	33072	Grass Catcher
33	STD523707	Hex Head Bolt 3/8-16 x 3/4	71	33623	Gas Can (2.5 gal.)
35	750085X007	Wheel Adjusting Bracket	71	33500	Fuel Stabilizer
36	84920	Spacer	71	33300	SAE 30 Oil (20 oz.)
38	850855X004	Selector Spring	71	33316	Mower Cover
39	701037	Selector Knob			
40	750913X004	Axle Arm Assembly			

# REPAIR PARTS

## ROTARY LAWN MOWER - MODEL NO. 917.372810



# REPAIR PARTS

## ROTARY LAWN MOWER - MODEL NO. 917.372810

KEY NO.	PART NO.	DESCRIPTION	KEY NO.	PART NO.	DESCRIPTION
1	145793	Control Bar	24	700953	Wheel & Tire Assembly
2	STD541425	Locknut 1/4-20	25	86960	Wheel Bushing
3	48385	Control Head Kit	26	145212	Hex Flange Locknut
4	144929	Hex Washer Head Screw 1/4-20 x 1-1/8	28	77400	Hubcap
5	145755	Control Cable Assembly	29	702182	Drive Cover Decal
6	137078	V-Belt	30	87866	Pan Head Tapping Screw #10-24 x 2-3/4
7	750097	Hex Washer Head Screw #10-24 x 1/2	32	137088	Drive Cover
8	87930	Clip Guide (Housing)	35	48323	Drive Control Cable Kit
9	700875	Carriage Bolt 1/4-20 x 2	36	132010	Locknut
12	63601	Locknut 1/4-20	37	137052	Drive Pulley
15	701037	Selector Knob	39	75192	Spring
18	88118	Washer	41	137090	Spring
19	67725	Washer 1/2 x 1-1/2 x .134	42	702511	Gear Case Assembly (Complete)
21	88080	Dust Cover	43	146302	Wheel Adjuster Assembly (Left)
22	137054	Pinion	44	146301	Wheel Adjuster Assembly (Right)
23	12000058	E-Ring	45	86012	Drive Shaft Cover



# CRAFTSMAN 4-CYCLE ENGINE

MODEL NUMBER 143.956000

REF NO.	PART NO.	DESCRIPTION	REF NO.	PART NO.	DESCRIPTION
1	36146	Cylinder (Includes 2, 10, 20 & 125)	169	27234A	* Valve Spring Box Gasket
2	27652	Dowel Pin	172	32755	Valve Spring Box Cover
6	36059	Breather Element	174	30200	Screw #10-24 x 9/16
7	36005A	* Breather Cover & Gasket	177	650925	Carburetor Mounting Stud
9	590568	Screw #10-24 x 3/4	186	36009	Governor Link
10	36002	Breather Valve Body	187	36035	* Carburetor Mounting Spacer
11	36003	Check Valve	190	36013	Brake Lever Assembly
12	36001	Breather Tube	191	36122	Brake Control Lever
14	28277	Flat Washer	192	36016	Brake Control Lever Link
15	36006	Governor Rod, Machined	193	36015	Brake Spring
16	36008	Governor Lever	194	36014	Retaining Ring
17	31335	Governor Lever Clamp	195	610973	Terminal Assembly
18	650548	Screw #8-32 x 5/16	198	36017	Brake Control Lever Spring
19	36103	Governor Spring	199	36018	Brake Lever Bushing
20	36010	Oil Seal	202	36482	Compression Spring
25	36011	Blower Housing Baffle Assembly (Includes Reference Number 195)	203	36482	Compression Spring
26	650802	Screw 1/4-20 x 5/8	204	650549	Screw #5-40 x 7/16
30	36111	Crankshaft	205	650777	Screw #6-32 x 21/32
40	36073	Piston, Pin, Ring Set, Standard	215	36051	Control Knob
	36074	Piston, Pin, Ring Set, .010 Oversize	239	36048	* Carburetor to Air Cleaner Gasket
	36075	Piston, Pin, Ring Set, .020 Oversize	240	36044A	Air Cleaner Body (Includes Reference #239, 299 and 350)
41	36070	Piston & Pin Assembly, Standard	243	650899	Screw #10-32 x 2-3/32
	36071	Piston & Pin Assembly, .010 Over	245	36046	Air Cleaner Filter
	36072	Piston & Pin Assembly, .020 Over (Assemblies Include Ref. #43)	250	36154	Air Cleaner Cover
42	36076	Ring Set, Standard	251	650928	Lock Nut 1/4-20
	36077	Ring Set, .010 Oversize	255	36110	Control Plate
	36078	Ring Set, .020 Oversize	256	650983	Screw #8-32 x 21/64
43	20381	Piston Pin Retaining Ring	260	36153	Blower Housing
45	36023A	Connecting Rod Assy. (Includes 46)	261	650737	Screw 1/4-20 x 1/2
46	32610A	Connecting Rod Bolt	262	650929	Screw 1/4-20 x 11/16
48	36030	Valve Lifter	263A	36156	Starter Grill
50	36031	Camshaft (MCR)	275	36107	Muffler
52	29914	Oil Pump Assembly	276	36043	Locking Plate
69	36032A	* Mounting Flange Gasket	277	650927	Screw 5/6-18 x 2-11/32
70	36033A	Mounting Flange (Includes #72-85)	285	34449A	Starter Cup
72	30572	Oil Drain Plug	287	650926	Screw #8-32 x 21/64
73	28833	Drain Plug Gasket	290	34357	Fuel Line
75	36010	Oil Seal	292	26460	Fuel Line Clamp
80	30574A	Governor Shaft	299	650900	"U" Type Nut Clip
81	30590A	Washer	300	36066	Fuel Tank (Includes Ref. #301)
82	30591	Governor Gear Assy. (Includes 81)	301	35355	Fuel Cap Assembly
83	36057	Governor Spool	305	36063	Oil Fill Tube
85	36034	Idler Gear	307	35499	"O" Ring
86	650924	Screw 1/4-20 x 1-9/16	308	36040	Fill Tube Clip
89	611154	Flywheel Key	310	36064	Dipstick
90	611155	Flywheel	346A	28763	Screw #10-32 x 35/64
91	611156	Flywheel Fan	347	650898	Screw #10-32 x 27/64
92	650815	Belleville Washer	350	36045	Primer
93	650816	Flywheel Nut	370A	36261	Lubrication Decal
100	34443A	Solid State Ignition	370B	36155	Control Decal
101	610118	Spark Plug Cover	380	632671	Carburetor (Includes #187 and 239)
103	650814	Screw, Torx T-15 #10-24 x 1	390	590702	Rewind Starter
110	36054	Ground Wire	400	36121A	Gasket Set (Incl. All Items Marked*)
119	36119	* Cylinder Head Gasket	416	36085	Spark Arrestor Kit (Includes Reference Number 417) (Optional)
120	36120	Cylinder Head	417	650760	Screw #8-32 x 3/8 (Optional)
125	36471	Exhaust Valve, Standard			
	36472	Exhaust Valve, 1/32" Oversize			
126	29314B	Intake Valve, Standard			
	29315C	Intake Valve, 1/32" Oversize (All Valves Include Reference #151)			
130	6021A	Screw 5/16-18 x 1-1/2			
135	35395	Resistor Spark Plug (RJ19LM)			
150	31672	Valve Spring			
151	31673	Lower Valve Spring Cap			

RPM Settings: Low: 2450-2750, High: 2900-3200

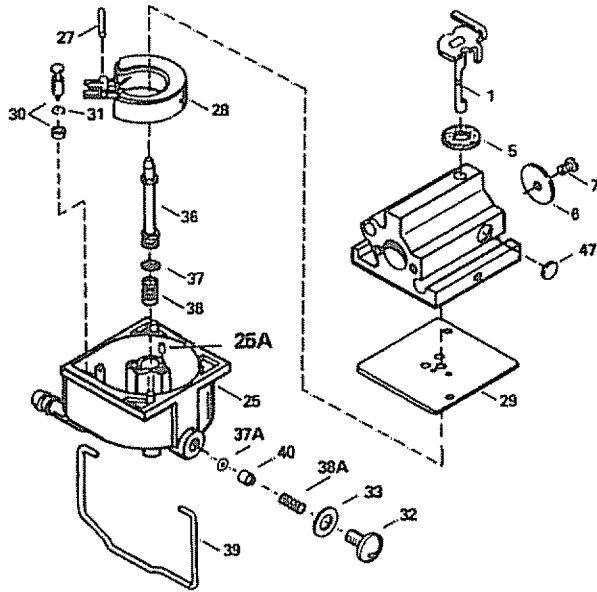
**NOTE:** This engine could have been built with 590637 Starter. Refer to design of air intake louvers for part identification. Individual starter parts do not interchange.

**NOTE:** All component dimensions given in U.S. inches  
1 inch = 25.4 mm

# CRAFTSMAN 4-CYCLE ENGINE

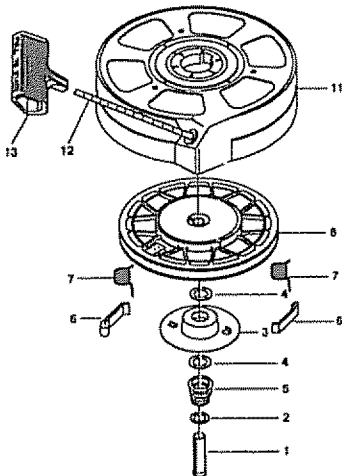
MODEL NUMBER 143.956000

## CARBURETOR NO. 632671



REF PART NO.	NO.	DESCRIPTION
--	632671	Carburetor (Includes Reference Number 184 of Engine Parts List)
1	632539	Throttle Shaft & Lever Assembly
5	632593	Dust Seal
6	632541	Throttle Shutter
7	650506	Throttle Shutter Screw
25	632675	Float Bowl
25A	632701	Idle Restrictor
27	632544	Float Shaft
28	632543	Float
29	632548	Float Bowl to Body Gasket
30	632551	Inlet Needle, Seat & Seat Retainer (Includes Reference Number 31)
31	632637	Seat Retainer
32	632672	Bowl Drain Screw
33	632673	Bowl Drain Washer
36	632674	Main Nozzle Tube
37	632547	"O" Ring, Main Nozzle Tube
37A	632547	"O" Ring
38	632545	Spring, Main Nozzle Tube
38A	632545	Spring
39	632549	Float Bowl Retainer
40	632676	Main Fuel Jet
47	632554	Welch Plug, Idle Mixing Well

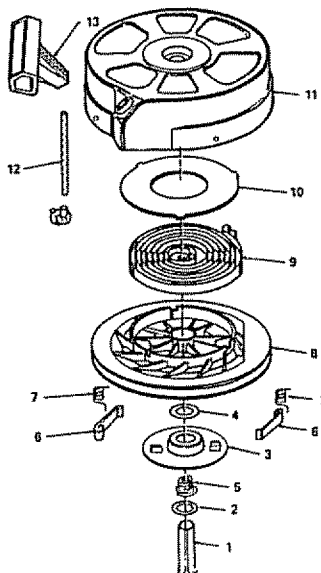
## REWIND STARTER 590686



REF PART NO.	NO.	DESCRIPTION
--	590686	Recoil Starter, Complete
1	590599A	Spring Pin (Includes Reference #4)
2	590600	Washer
3	590696	Retainer
4	590601	Washer
5	590697	Brake Spring
6	590698	Starter Dog
7	590699	Dog Spring
8	590700	Pulley & Rewind Spring Assembly
11	590703	Starter Housing Assembly (40 Degree Grommet)
12	590535	Starter Rope (98" Long, 9/64" Dia.)
13	590701	Starter Handle

NOTE: All component dimensions given in U.S. inches  
1 inch = 25.4 mm

## REWIND STARTER 590637



REF PART NO.	NO.	DESCRIPTION
--	590637	Recoil Starter
1	590599A	Spring Pin (Includes Reference #4)
2	590600	Washer
3	590615	Retainer
4	590601	Washer
5	590598	Brake Spring
6	590616	Starter Dog
7	590617	Dog Spring
8	590618A	Pulley Assembly (Includes Reference Numbers 9 and 10)
9	590619	Rewind Spring
10	590620	Spring Cover
11	590638	Starter Housing Assembly (40 Degree Grommet)
12	590535	Starter Rope (98" Long, 9/64" Dia.)
13	590452	Starter Handle

NOTE: All component dimensions given in U.S. inches  
1 inch = 25.4 mm

# TROUBLESHOOTING POINTS

PROBLEM	CAUSE	CORRECTION
<b>Does not start</b>	<ol style="list-style-type: none"> <li>1. Dirty air filter.</li> <li>2. Out of fuel.</li> <li>3. Stale fuel.</li> <li>4. Water in fuel.</li> <li>5. Spark plug wire is disconnected.</li> <li>6. Bad spark plug</li> <li>7. Loose blade or broken blade adapter</li> <li>8. Control bar in released position</li> <li>9. Control bar defective</li> </ol>	<ol style="list-style-type: none"> <li>1. Clean/replace air filter.</li> <li>2. Fill fuel tank.</li> <li>3. Drain tank and refill with fresh clean fuel.</li> <li>4. Drain fuel tank and carburetor and refill tank with fresh gasoline.</li> <li>5. Connect wire to plug.</li> <li>6. Replace spark plug</li> <li>7. Tighten blade bolt or replace blade adapter</li> <li>8. Depress control bar to handle.</li> <li>9. Replace control bar</li> </ol>
<b>Loss of power</b>	<ol style="list-style-type: none"> <li>1. Rear of lawn mower housing/blade dragging in heavy grass</li> <li>2. Cutting too much grass.</li> <li>3. Dirty air filter.</li> <li>4. Buildup of grass, leaves and trash under mower.</li> <li>5. Too much oil in engine.</li> <li>6. Walking speed too fast</li> </ol>	<ol style="list-style-type: none"> <li>1. Set in "Higher Cut" position.</li> <li>2. Set in "Higher Cut" position</li> <li>3. Clean/replace air filter.</li> <li>4. Clean underside of mower housing.</li> <li>5. Check oil level</li> <li>6. Cut at slower walking speed</li> </ol>
<b>Poor cut - uneven</b>	<ol style="list-style-type: none"> <li>1. Worn, bent or loose blade.</li> <li>2. Wheel heights uneven.</li> <li>3. Low engine speed.</li> <li>4. Buildup of grass, leaves, and trash under mower.</li> </ol>	<ol style="list-style-type: none"> <li>1. Replace blade. Tighten blade bolt</li> <li>2. Set all wheels at same height</li> <li>3. Set engine speed control in fast position.</li> <li>4. Clean underside of mower housing.</li> </ol>
<b>Excessive vibration</b>	<ol style="list-style-type: none"> <li>1. Worn, bent or loose blade.</li> <li>2. Bent engine crankshaft</li> </ol>	<ol style="list-style-type: none"> <li>1. Replace blade. Tighten blade bolt.</li> <li>2. Contact an authorized service center/department.</li> </ol>
<b>Starter rope hard to pull</b>	<ol style="list-style-type: none"> <li>1. Engine flywheel brake is on when control bar is released.</li> <li>2. Bent engine crankshaft</li> <li>3. Blade adapter broken.</li> <li>4. Blade dragging in grass.</li> </ol>	<ol style="list-style-type: none"> <li>1. Depress control bar to upper handle before pulling starter rope.</li> <li>2. Contact an authorized service center/department.</li> <li>3. Replace blade adapter.</li> <li>4. Move lawn mower to cut grass or to hard surface to start engine.</li> </ol>
<b>Loss of drive (Self-Propelled Mowing)</b>	<ol style="list-style-type: none"> <li>1. Drive wheels not turning with drive control engaged.</li> <li>2. Belt not driving.</li> </ol>	<ol style="list-style-type: none"> <li>1. Adjust or replace drive control cable, if broken.</li> <li>2. Put belt on pulleys or replace belts if broken.</li> </ol>
<b>Grass catcher not filling (If so equipped)</b>	<ol style="list-style-type: none"> <li>1. Cutting height too low.</li> <li>2. Lift on blade worn off.</li> <li>3. Catcher not venting air</li> <li>4. Low engine speed.</li> </ol>	<ol style="list-style-type: none"> <li>1. Raise cutting height.</li> <li>2. Replace blade.</li> <li>3. Clean grass catcher.</li> <li>4. Set engine speed control in fast position.</li> </ol>
<b>Hard to push</b>	<ol style="list-style-type: none"> <li>1. Grass is too high or wheel height is too low</li> <li>2. Rear of lawn mower housing/blade dragging in grass.</li> <li>3. Grass catcher too full</li> <li>4. Handle height position not right for you</li> </ol>	<ol style="list-style-type: none"> <li>1. Raise cutting height</li> <li>2. Raise rear of lawn mower housing one (1) setting higher.</li> <li>3. Empty grass catcher.</li> <li>4. Adjust handle height to suit</li> </ol>

**SEARS**

**OWNER'S  
MANUAL**

**MODEL NO.  
917.372810**

**IF YOU NEED  
REPAIR SERVICE  
OR PARTS:**

FOR REPAIR SERVICE, CALL  
THIS TOLL FREE NUMBER:

**1-800-4-REPAIR**  
(1-800-473-7247)

FOR REPLACEMENT PARTS  
INFORMATION AND  
ORDERING, CALL THIS  
TOLL FREE NUMBER:

**1-800-FON-PART**  
(1-800-366-7278)

**CRAFTSMAN®**

**6.0 HORSEPOWER  
22" SIDE DISCHARGE  
POWER PROPELLED  
3 IN ONE CONVERTIBLE  
ROTARY LAWN MOWER**

Each lawn mower has its own model number. Each engine has its own model number.

The model number for your lawn mower will be found on a decal attached to the rear of the lawn mower housing.

The model number for your engine will be found on the blower housing of the engine.

All parts listed herein may be ordered from any Sears, Roebuck and Co. Service Center/Department and most Retail Stores.

**WHEN ORDERING REPAIR PARTS, ALWAYS GIVE THE  
FOLLOWING INFORMATION:**

- **PRODUCT - LAWN MOWER**
- **MODEL NUMBER - 917.372810**
- **ENGINE - CRAFTSMAN - MODEL NO. 143.956000**
- **PART NUMBER**
- **PART DESCRIPTION**

Your Sears merchandise has added value when you consider Sears has service units nationwide staffed with Sears trained technicians... professional technicians specifically trained to insure that we meet our pledge to you, we service what we sell.