

OPERATOR'S MANUAL

Battery-Powered Lithium-Ion Tractor

Record Product Information

Before setting up and operating your new equipment, please locate the model plate on the equipment and record the information in the provided area to the right. You can locate the model plate by lifting up the seat and looking under the seat pan. This information will be necessary, should you seek technical support via our web site or with your local authorized service dealer.

MODEL NUMBER

3	3			A	7		S			
---	---	--	--	---	---	--	---	--	--	--

SERIAL NUMBER

--	--	--	--	--	--	--	--	--	--	--

Table of Contents

<i>Safe Operation Practices</i>	2	<i>Service and Maintenance</i>	13
<i>Assembly</i>	7	<i>Troubleshooting</i>	17
<i>Operation</i>	10	<i>Parts/Warranty</i>	See Separate Supplement

▲ WARNING

Read and follow all safety rules and instructions in this manual before attempting to operate this machine.
Failure to comply with these instructions may result in personal injury.

▲ WARNING

California Proposition 65

Cancer and Reproductive Harm – www.P65Warnings.ca.gov.

NOTE: This Operator's Manual covers several models. Features may vary by model. Not all features in this manual are applicable to all models and the model depicted may differ from yours.



SAFE OPERATION PRACTICES

WARNING

▲This symbol points out important safety instructions which, if not followed, could endanger the personal safety and/or property of yourself and others. Read and follow all instructions in this manual before attempting to operate this tractor. Failure to comply with these instructions may result in personal injury. When you see this symbol, HEED ITS WARNING!

DANGER

This tractor was built to be operated according to the safe operation practices in this manual. As with any type of power equipment, carelessness or error on the part of the operator can result in serious injury. This tractor is capable of amputating fingers, hands, toes and feet and throwing debris. Failure to observe the following safety instructions could result in serious injury or death.

Lithium-Ion Battery System

Servicing requires extreme care and knowledge of the system and must be performed only by a qualified service technician. For repair or service take the tractor to your nearest authorized service dealer. Always use original equipment manufacturer's (OEM) replacement parts when servicing.

General Information

1. Read, understand, and follow all instructions on the tractor and in the manual(s) before attempting to assemble and operate. Keep this manual in a safe place for future and regular reference and for ordering replacement parts.
2. Be familiar with all controls and their proper operation. Know how to stop the tractor and disengage them quickly.
3. Never allow children under 14 years of age to operate this tractor. Children 14 and over should read and understand the instructions and safe operation practices in this manual and on the tractor and should be trained and supervised by an adult.
4. Never allow adults to operate this tractor without proper instruction.
5. If situations occur which are not covered in this manual, use care and good judgment. Contact your customer service representative for assistance.
6. According to the U.S. Consumer Products Safety Commission (CPSC) and the U.S. Environmental Protection Agency (EPA), this product has an estimated useful life of seven (7) years, under ordinary use conditions. At the end of its useful life, have the product inspected annually to ensure all mechanical, electrical and safety systems are operating properly, safely, and are not worn excessively. Failure to do so may result in accident, injury, or death.

Preparation Before Operating

1. Thoroughly inspect the area where the tractor is to be used. Remove all stones, sticks, wire, bones, toys, and other foreign objects which could be picked up and thrown by the blade(s). Thrown objects can cause serious personal injury.
2. To help avoid blade contact or a thrown object injury, keep bystanders, helpers, children and pets at least 75 feet (23 meters) from the tractor while it is in operation. Keep bystanders, children and pets inside during operation. Stop tractor if anyone enters the area.
3. Be aware of the tractor discharge direction and do not point it at anyone.
4. Always wear safety glasses or safety goggles during operation and while performing an adjustment or repair to protect your eyes. Thrown objects which ricochet can cause serious injury to the eyes.
5. Wear sturdy, rough-soled work shoes and close-fitting slacks and shirts. Loose fitting clothes, jewelry and long hair can be caught in movable parts. Never operate this tractor in bare feet or sandals.
6. Do not charge or operate the tractor in the rain or wet conditions.
7. Use only accessories and attachments approved for this tractor by the tractor manufacturer. Read, understand and follow all instructions provided with the approved accessory or attachment.

Operating

1. Data indicates that operators, age 65 years and above, are involved in a large percentage of riding tractor-related injuries. These operators should evaluate their ability to operate the riding tractor safely enough to protect themselves and others from serious injury.
2. Set the parking brake before attempting to start the tractor.
3. Plan your mowing pattern to avoid discharge of material toward roads, sidewalks, bystanders and the like. Also, avoid discharging material against a wall or obstruction which may cause discharged material to ricochet back toward the operator.
4. In case of a system fault or a complete loss of battery power, the tractor on a hill can freewheel. Depress the brake pedal to maintain control and stop the tractor. Restart the tractor. If the system fault problem persists, contact your authorized service dealer.
5. Do not put hands or feet near rotating parts or under the cutting deck. Contact with the blade(s) can amputate hands and feet.
6. Watch for holes, ruts, bumps, rocks, or other hidden objects. Uneven terrain could overturn the tractor. Tall grass can hide obstacles.
7. Check overhead clearances carefully before driving under low hanging tree branches, wires, door openings etc., where the operator may be struck or pulled from the tractor, which could result in serious injury.
8. Never leave a running tractor unattended. Always turn off blade(s), set the parking brake, press Start/Stop button, turn key to OFF position and remove key before dismounting.
9. Turn off blade(s), set parking brake, press Start/Stop button and wait until the blade(s) come to a complete stop before removing grass catcher, emptying grass, unlogging chute, removing any grass or debris, or making any adjustments.
10. Your tractor is designed to cut normal residential grass of a height no more than 10" (25.4 cm). Do not attempt to mow through unusually tall, dry grass (e.g., pasture) or piles of dry leaves. Dry grass or leaves may contact hot surfaces and/or build up on the tractor deck presenting a potential fire hazard.
11. Turn off blade(s) before traveling in reverse. Back up slowly. Always look down and behind before and while backing to avoid a back-over accident.
12. Never carry passengers.
13. Stay at least 10 feet (3 meters) from drop-offs, ditches, embankments or the edge of water. The tractor could suddenly turn over if a wheel is over the edge of a cliff, ditch, or if an edge caves in.

SAFE OPERATION PRACTICES

14. A missing or damaged chute deflector, mulch plug or entire grass catcher can cause blade contact or thrown object injuries.
15. Do not operate the tractor without the chute deflector, mulch plug or entire grass catcher in its proper place.
16. Use extra care with grass catchers or other attachments. These can change the stability of the tractor. Always follow the attachment manufacturer's instructions.
17. Stop the blade(s) when crossing gravel drives, walks, or roads and while not cutting grass.
18. Watch for traffic when operating near or crossing roadways. This tractor is not intended for use on any public roadway.
19. Mow only in daylight or good artificial light.
20. Do not operate the tractor while under the influence of alcohol or drugs.
21. Slow down before turning. Operate the tractor smoothly. Avoid erratic operation and excessive speed.
22. Motors may become hot and can cause serious burn injuries. Do not touch. Allow the tractor to cool for five minutes before attempting any service.
23. Do not turn off tractor and freewheel downhill. Over-speeding may cause the operator to lose control of the tractor resulting in serious injury or death.
2. For your safety, measure any slope before using the tractor on the sloped area. Use a slope measuring device in addition to the slope gauge included as part of this manual to measure slopes before operating this tractor on a sloped or hilly area. Smart phone applications can be also utilized to measure slopes. If the slope is greater than 15 degrees as shown on the slope gauge or a slope measuring device, do not operate this tractor on that area or serious injury could result.
3. Do not mow on slopes greater than 15 degrees (25%).
4. Do not mow across slopes, only mow up or down slopes that are less than 15 degrees (25%). Use low speeds and avoid sudden turns.
5. Do not mow on wet grass. Reduced traction could cause sliding or a loss of control.
6. Do not operate tractor under any conditions where traction, steering or stability is in question. Tires could slide even if the wheels are stopped.
7. Avoid starting and stopping on slopes. Avoid making sudden changes in speed or direction. Make turns slowly and gradually.
8. Use extra care while operating tractor with grass catcher or other attachment(s). They can affect the stability of the tractor. Do not use grass catcher on slopes greater than 10 degrees (17%).
9. Do not try to stabilize the tractor by putting your foot on the ground.
10. Keep all movement on the slopes slow and gradual. Do not make sudden changes in speed or direction. Rapid acceleration could cause the front of the tractor to lift and rapidly tip over backwards, which could cause serious injury or death.
11. Do not turn off tractor and freewheel downhill. Over-speeding may cause the operator to lose control of the tractor resulting in serious injury or death.

Children

1. Tragic accidents can occur if the operator is not alert to the presence of children. Children are often attracted to the tractor and the mowing activity. They do not understand the dangers. Never assume that children will remain where you last saw them.
2. Keep bystanders, children and pets inside during operation under the watchful care of a responsible adult other than the operator. Stop the tractor if anyone enters the area.
3. Never carry children, even with the blade(s) shut off. They may fall off and be seriously injured or interfere with safe tractor operation. Children who have been given rides in the past could suddenly appear in the mowing area for another ride and be run over or backed over by the tractor.
4. Be alert and turn tractor off if a child or bystander enters the area.
5. To avoid back-over accidents, always look behind and down for small children.
6. Use extreme care when approaching blind corners, doorways, shrubs, trees or other objects that may block your vision of a child who may run into the path of the tractor.
7. Never allow children under 14 years of age to operate this tractor. Children 14 and over should read and understand the instructions and safe operation practices in this manual and on the tractor and should be trained and supervised by an adult.
8. Do not allow any child to joy ride on the tractor. The tractor is not a toy or a go-cart. Warn your children that the tractor can be dangerous and they must stay away from it at all times.
9. Keep children away from a hot or running tractor. They can suffer burns from hot motors.
10. Remove key when tractor is unattended to prevent unauthorized operation. Make certain the key is inaccessible to small children.

Slope Operation

1. Slopes are a major factor related to loss of control and tip-over accidents which can result in severe injury or death. All slopes require extra caution. If you cannot back up the slope or if you feel uneasy on it, do not mow or drive on it.

Hauling

1. Use properly secured full width ramps for loading and unloading a tractor for transport.
2. Use extra care when loading or unloading the tractor into a trailer or truck. This tractor should not be driven up or down ramp(s), because the tractor could tip over, causing serious personal injury. The tractor must be pushed manually on ramp(s) to load or unload properly.
3. Raise the deck to the highest position for loading clearance.
4. Do not tow this tractor, damage to the drive motors can occur.

Towing with your tractor

1. Do not tow a load that exceeds 250 lbs (113kg) rolling weight and never exceed 50 lbs (22kg) tongue weight.
2. Do not attach towed equipment except at the hitch point of the tractor.
3. Never allow children or others in or on towed equipment.
4. Do not tow on slopes greater than 5 degrees (9%). On slopes, the weight of towed equipment may cause loss of traction and loss of control and/or the ability to stop.
5. Always use extra caution when towing with a tractor capable of making tight turns (e.g. tight-turn tractor). Make wide turns to avoid jack-knifing.
6. Travel slowly and allow extra distance to stop.

Service

1. Keep tractor in good working order. Do not use the tractor until worn or damaged parts are replaced.
2. Tractor blade(s) are sharp. Wrap the blade or wear gloves, and use extra caution when servicing them.
3. Remove the key and store the tractor indoors when not in use. Allow the tractor to cool at least five minutes before charging or storing.
4. Before cleaning, repairing, or inspecting, make certain the blade(s) and all moving parts have stopped. Turn off tractor and remove the key.

SAFE OPERATION PRACTICES

5. Check to make sure the blades come to complete stop in not more than (5) five seconds after disengaging the blade disengagement control per the interval in the Maintenance Schedule. Measure the stopping time with a stop watch. If the blades do not stop completely in less than five seconds, your tractor should be serviced professionally by an authorized dealer.
6. Check the safety interlock system per the interval in the Maintenance Schedule for proper function, as described later in this manual. If the safety interlock system does not function properly, have your tractor serviced immediately by an authorized dealer.
7. Never tamper with the safety interlock system or other safety devices. Check their proper operation regularly.
8. Check the blade(s) mounting bolt torque in accordance to the Maintenance Schedule in this manual. Also, visually inspect blade(s) for damage (e.g., excessive wear, bent, cracked). Replace the blade(s) with the original equipment manufacturer's (O.E.M.) blade(s) only.
9. Use of service parts which do not meet the original equipment specifications may lead to improper performance and compromise safety.
10. Keep all nuts, bolts and screws tight to be sure the equipment is in safe working condition. Review the Maintenance Schedule chart in this manual for service interval information.
11. After striking a foreign object, stop the tractor, push the Start/Stop button, turn the key to the OFF position and remove. Thoroughly inspect the tractor for any damage. Repair the damage before operating.
12. To reduce fire hazard, keep the motor(s) free of grass, leaves and debris build-up. Follow the post operation tractor care instructions in the Service and Maintenance section.
13. Check brake operation frequently as it is subjected to wear during normal operation. Adjust and service as required.
14. Never attempt to make adjustments or repairs to the tractor without removing the key.
15. Maintain or replace safety and instruction labels, as necessary.

General Electric Safety

1. Do not expose the tractor to rain or wet conditions.
2. Do not service the tractor or handle electrical components with wet hands.
3. Do not operate the tractor in the rain, in wet conditions or on wet surfaces.
4. To reduce the risk of electric shock, avoid body contact with grounded conductors, such as metal pipes or wire fences.
5. Do not operate the tractor in explosive atmospheres, such as in the presence of flammable liquids, gases or dust.
6. For protection against risk of injury or electric shock, do not replace blown fuses. Your tractor should be serviced professionally by an authorized dealer.
7. Never douse or hose the tractor with water. Avoid getting any liquid in the motors and electrical connections. Clean the tractor after each use. Refer to cleaning and storage. Do not use solvents or strong detergents.

Battery Charger Safety

WARNING

Only use an OEM battery charger (part# 725-07253A) to charge the batteries in this tractor. DO NOT attempt to charge any other batteries with the battery charger specific to this tractor. Other types of batteries may burst, causing fire, personal injury or property damage.

1. Recharge only with the charger specified by the manufacturer. A charger that is suitable for one type of battery may create a risk of fire when used with another battery.
2. Do not use the charger in the rain, wet locations or in the presence of flammable liquids or gasses.
3. A nameplate on the charger indicates the voltage used. Never connect the charger to an AC voltage that differs from this voltage.

4. An extension cord should not be used unless absolutely necessary. Use of an improper extension cord could result in a risk of fire, electric shock or electrocution.
5. Do not use multiple extension cords.
6. Make sure the extension cord is heavy enough to carry the current drawn by the charger. An undersized extension cord will cause a drop in line voltage, resulting in a loss of power and overheating. If in doubt, use the next heavier gauge cord. The smaller the gauge number, the heavier the cord.

MINIMUM WIRE SIZE FOR EXTENSION CORDS FOR 120 VOLT APPLIANCES USING 0-6 AMPS				
Cord Length (ft.)	25	50	100	150
Wire Size (AWG)	16	16	16	14

7. Make sure the cords are in good condition. Inspect the battery charger power cord and extension cord periodically. Look closely for deterioration, cuts or cracks in the insulation. If either cord is damaged in any manner while plugged in, disconnect the cord from both the outlet and the charger. Do not use a damaged cord. Damaged cords should be repaired or replaced.
8. Do not abuse cords. Never pull or carry the charger by a cord. Keep cords away from heat, oil, water, sharp edges, and moving objects. Always grasp the plug when disconnecting a cord.
9. Never modify a plug, cord or outlet in any way.
10. Ground Fault Circuit Interrupter (GFCI) protection should be provided on the circuit(s) or outlet(s) to be used with this charger. For an extra measure of safety, use receptacle (outlet) with built-in GFCI protection.
11. Do not place the battery charger where cords might be stepped on, tripped over or subjected to damage.
12. Keep the battery charger and cords in a cool and dry area.
13. Keep the battery charger and cords away from all liquids.
14. Do not allow small metal items or material such as steel wool, aluminum foil or other foreign particles into the charger port.
15. Do not probe the charger with conductive material. There is a risk of electric shock.
16. Do not cover the battery charger. The battery charger may overheat.
17. Do not allow the battery or battery charger to overheat. If they are warm, allow them to cool down. Only charge batteries in temperatures between 32° and 104° F (0° and 40° C).

Battery Safety

1. Do not expose the battery to fire or to temperatures over 140° F (60° C). Doing so could cause an explosion.
2. Handle battery with care. Do not short the battery with conductive materials, such as rings, bracelets, keys, etc. Shorting the battery may cause personal injury, damage to the battery or a fire.
3. Do not attempt to charge a cracked or damaged battery.
4. Do not use or charge a wet battery or a battery that shows any evidence of corrosion.
5. Do not use a damaged or modified battery. Doing so could result in a fire, explosion or personal injury.
6. Do not dispose of the battery in a fire. The cell may explode. Contact your local authorized service dealer for proper battery recycling.
7. Exercise care in handling batteries in order not to short the battery with conductive materials such as rings, bracelets, and keys. The battery or conductor may be hot and cause burns.

SAFE OPERATION PRACTICES

⚠ WARNING

- The battery may present a risk of fire or chemical burn if misused. Do not disassemble, overheat or incinerate the battery.
- Leakage from the battery may occur under extreme usage, charging or temperature conditions or if the battery is damaged, crushed or punctured. This leakage indicates a failure of the battery and the battery should be properly disposed of by an authorized service dealer.

If the battery leakage gets on your skin or eyes, follow these steps:

- Immediately wash the skin and flush the eyes with cool water for at least 20 minutes and seek immediate medical attention.
- Contents of open battery cells may cause respiratory irritation. Provide fresh air. If symptom persists, seek medical attention.
- Ventilate the room and vacate the area if smoke and gases are present. Gas and smoke in a confined area will present a potential health risk.

If the leakage gets on your clothing or shoes, remove, isolate and wash the contaminated clothing thoroughly.

Safety Symbols

This page depicts and describes safety symbols that may appear on this product. Read, understand, and follow all instructions on the tractor before attempting to assemble and operate.

Symbol	Description
	READ THE OPERATOR'S MANUAL(S) Read, understand, and follow all instructions in the manual(s) before attempting to assemble and operate.
	WARNING — THROWN OBJECTS This tractor may pick up and throw and objects which can cause serious personal injury. Stay clear. Keep bystanders, helpers, children and pets at least 75 feet from the tractor while it is in operation.
	WARNING — BYSTANDERS Keep bystanders, helpers, children and pets at least 75 feet from the tractor while it is in operation.
	DANGER — ROTATING BLADE(S) Never carry passengers. Never carry children, even with the blade(s) OFF.
	WARNING — ROTATING BLADE(S) Do not put hands or feet near rotating parts or under the cutting deck. Contact with the blade(s) can amputate hands and feet. Be sure blade(s) and power are off before placing hands or feet near blade(s).

Symbol	Description
	WARNING — ROTATING BLADE(S) Do not put hands or feet near rotating parts or under the cutting deck. Contact with the blade(s) can amputate hands and feet. Be sure blade(s) and power are off before placing hands or feet near blade(s). Always remove the key when not in use.
	WARNING — SLOPE OPERATION Go up and down slopes, not across. Use extra caution on slopes. Do not mow or drive on slopes greater than 15°/25%. If tractor stops going uphill, stop blade(s) back down slowly.
	DANGER — SLOPE OPERATION Do not operate this tractor where it could tip or slip. Avoid sudden turns. Use low speed.
	DANGER — ROTATING BLADE(S) Always look down and behind before and while backing to avoid a back-over accident. To avoid a back-over accident, keep children indoors while it is in operation. Mowing in reverse is not recommended.
	WARNING — THROWN OBJECTS This tractor may pick up and throw and objects which can cause serious personal injury.
	DANGER — GUARDS, SHIELDS, SWITCHES, ETC. Keep safety devices (Guards, Shields, Switches, Etc.) in place and working.
	WARNING — ELECTRIC SHOCK Do not charge tractor in rain or wet locations. Do not operate tractor in rain.
	WARNING — ELECTRIC SHOCK Do not charge tractor in rain or wet locations. Do not operate tractor in rain.
	DANGER — SERVICE Many components on this tractor should only be serviced by an authorized service dealer. Read this Operator's Manual before attempting to service this tractor.
	WARNING — STORE TRACTOR INDOORS Store tractor indoors at all times when not in use.

⚠ WARNING

Your Responsibility—Restrict the use of this tractor to persons who read, understand and follow the warnings and instructions in this manual and on the tractor.

SAVE THESE INSTRUCTIONS!

SLOPE GAUGE

Slope Gauge

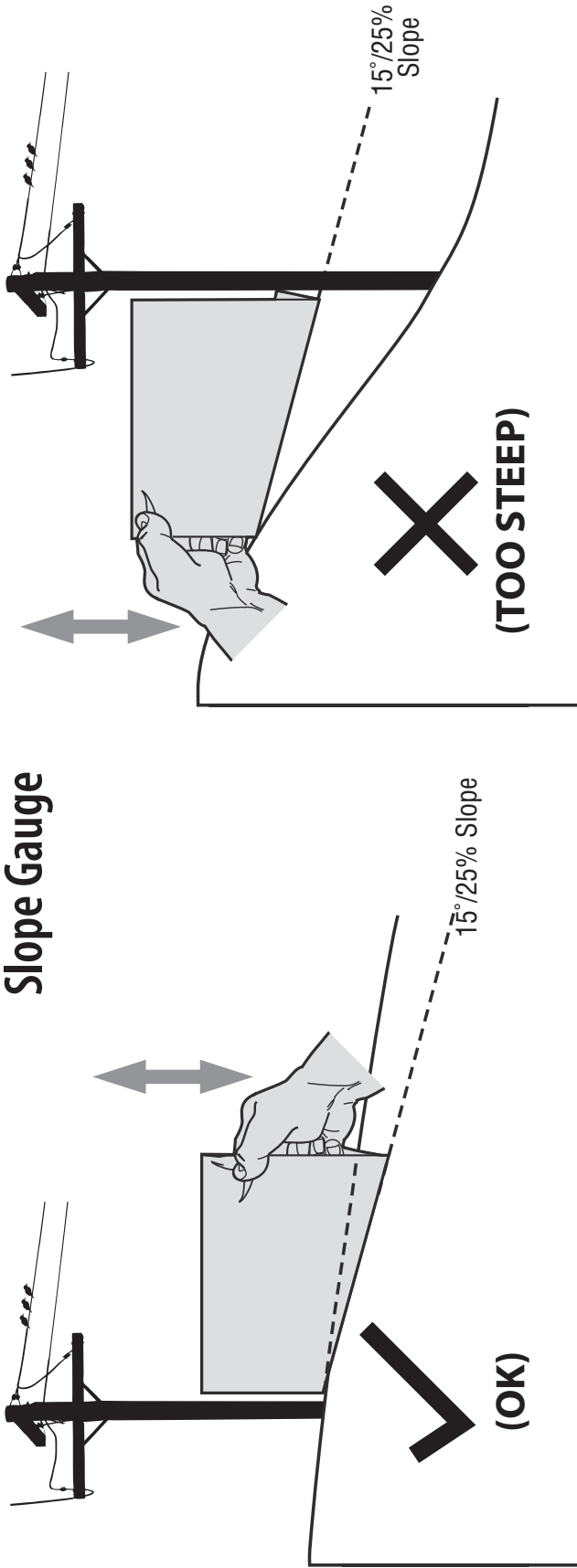


Figure 1

Figure 2

6

15°/25% dashed line

USE THIS SLOPE GAUGE TO DETERMINE IF A SLOPE IS TOO STEEP FOR SAFE OPERATION!

To check the slope, proceed as follows:

1. Remove this page and fold along the dashed line.
2. Locate a vertical object on or behind the slope (e.g. a pole, building, fence, tree, etc.)
3. Align either side of the slope gauge with the object (See Figure 1 and Figure 2).
4. Adjust gauge up or down until the left corner touches the slope (See Figure 1 and Figure 2).
5. If there is a gap below the gauge, the slope is too steep for safe operation (See Figure 2 above).



WARNING! Slopes are a major factor related to tip-over and roll-over accidents which can result in severe injury or death. Do not operate machine on slopes in excess of 15 degrees/25 percent. All slopes require extra caution. If you cannot back up the slope or if you feel uneasy on it, do not mow or drive on it. Always mow up and down slopes, never across the face of slopes.

ASSEMBLY

Note: All references in this manual to the left or right side and front or back of the tractor are from the operating position only. Exceptions, if any, will be specified.

Note: Some components may come already assembled. If they are already assembled, skip ahead to the next step.

Preparation

Before beginning installation, remove all the contents from the crate and all the hardware from the pack to make sure everything is present.

Contents of Crate

- Tractor
- Battery Charger
- Hood Topper (If Equipped)
- Front Bumper (If Equipped)
- Dash Cap (If Equipped)
- Steering Wheel
- Seat Assembly
- Operator's Manual
- Hardware Bag

Recommended Tools for Assembly

- 5/16" wrench and/or socket
- 7/16" wrench and/or socket
- 1/2" wrench and/or socket
- 5/8" wrench and/or socket
- Phillips screwdriver
- Standard screwdriver

Manually Moving the Tractor

CAUTION

Never tow your tractor. Towing the tractor with the rear wheels on the ground may cause severe damage to the drive motors.

The tractor can be moved as long as the parking brake is not set. The tractor can be pushed slowly.

Install Operator's Seat Assembly (If necessary)

To install the seat proceed as follows:

Note: The seat is shipped with the seat switch and seat pan attached.

1. Cut any straps securing the seat assembly to the tractor. Remove any packing material.

Note: Be careful not to cut the wiring harness connecting the seat and the seat switch.

2. Remove the two shoulder bolts (a) and flange lock nuts (b) in the seat pan as shown in Figure 1.

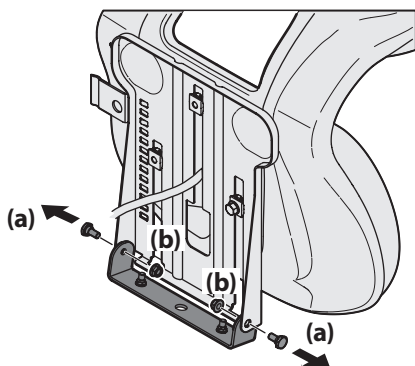


Figure 1

3. Rotate the seat into position and slide a Phillips screwdriver through one of the seat-securing holes and seat bracket for alignment.
4. Then with the previously removed shoulder bolts (a) and flange lock nuts (b) secure one side of the seat and seat bracket. While supporting the seat, remove the Phillips screwdriver and secure the other side of the seat. Be careful not to crimp or damage the wire harness while installing the seat. See Figure 2. Torque to 84-103 in-lbs (9.5-11.6 N-m).
5. Using the harness clip attached to the harness, secure the excess wire to the fender by snapping the harness clips in place as shown in Figure 3.

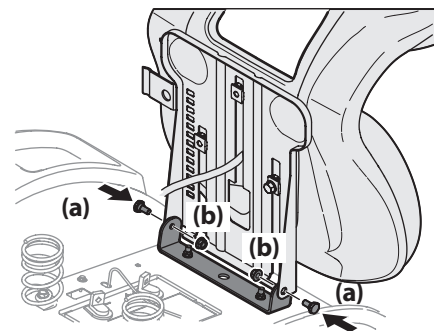


Figure 2

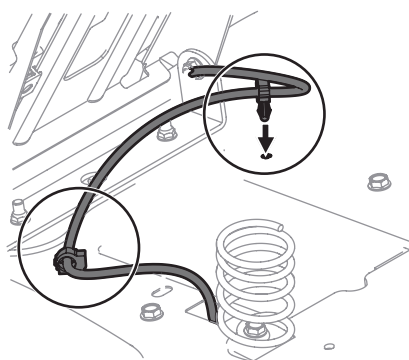


Figure 3

Lower Deck Discharge Chute Deflector

WARNING

Never operate the tractor deck without the chute deflector installed and in the down position.

1. Check the tractor deck for a shipping brace that may be holding the chute deflector upward for shipment. If the brace is present, it must be removed before operating the tractor. Holding the chute deflector fully upward, remove the shipping brace. Lower the chute deflector and discard the shipping brace. See Figure 4.

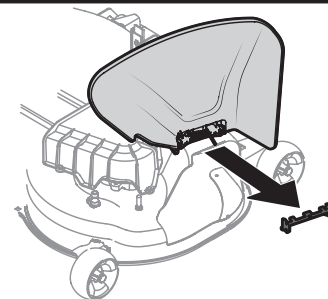


Figure 4

Installing the Screw-On Hood Topper (If necessary)

Note: Be careful not to damage the headlight harness when installing the screw-on hood topper.

1. Set the hood topper up against the top of the hood with the hood open, and align the holes on the hood.
2. Secure the screw-on hood topper (a) from below, hand-tighten the screws (b) on the rear half of the hood and then securely tighten them. See Figure 5.

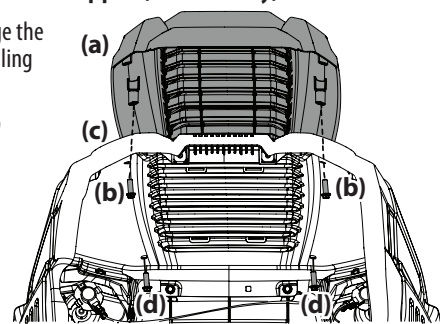


Figure 5

3. With the rear screws in place, align the holes in the hood topper (a) with the holes in the hood (c) and secure in place with remaining two screws (d). See Figure 5.

ASSEMBLY

- Tighten all four screws to 16–24 in-lbs (1.8–2.7 N-m).

Installing the Snap-On Hood Topper (If necessary)

- To install the snap-on hood topper (a), line up the holes on the hood topper (a) up with the tabs (b) in the hood frame as shown in Figure 6.
- Insert the tabs (b) into the hood topper and pull back to lock into place.
- Once the hood topper is in place, the two locking tabs near the rear of the hood need to be pushed upward to lock the hood topper in place. See Figure 7.

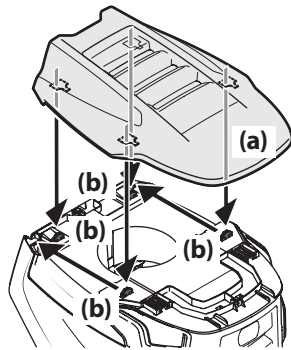


Figure 6

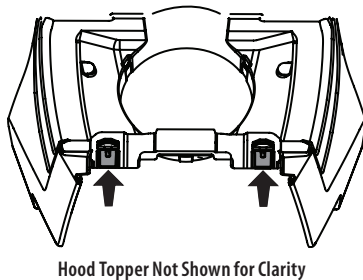


Figure 7

Installing the Dash Cap (If necessary)

- To install the dash cap (a), line up the tabs (b) on the dash cap (a) with the holes in the upper dash as shown in Figure 8.
- Slide the tabs (b) into the holes in the upper dash and push forward (c) on the dash cap (a) to lock into place.

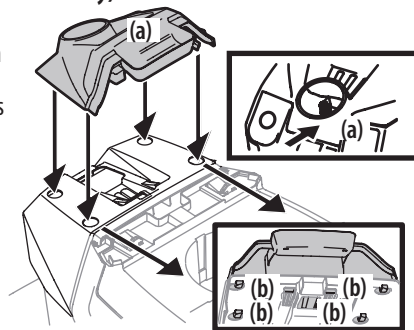


Figure 8

Note: Be sure to press on the lower part of the dash cap (a) facing the operator position to ensure the lower tabs on the dash cap are in place.

Installing the Steering Wheel (If necessary)

The hardware for attaching the steering wheel has been packed within the steering wheel, beneath the steering wheel cap. Carefully pry off the steering wheel cap and remove the hardware.

- With the wheels of the tractor pointing straight forward, align the steering wheel (a) by using the center-line (b) on the front of the steering wheel (a) pointing straight ahead and the flat section (c) of the steering wheel (a) facing toward the seat, place the steering wheel (a) over the steering shaft (d). See Figure 9.
- Secure the steering wheel (a) with the hex bolt (e) from under the steering wheel cap (f) and torque to 18–22 ft.-lbs (24.4–29.8 N-m).

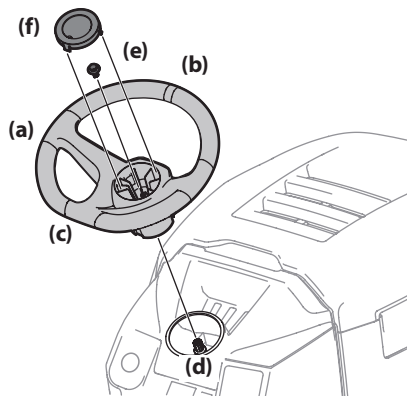


Figure 9

- Place the steering wheel cap (f) over the center of the steering wheel (a) and push downward until it “clicks” into place.

Note: The hex bolt (e) securing the steering wheel (a) has thread locker applied to it, so if it is removed, it is recommended that the hex bolt (a) be replaced or thread lock re-applied.

Installing the Front Bumper (If necessary)

The hardware for attaching the front bumper is shipped installed into the bumper.

- Remove the four hex screws (a) from the bumper (b).
- Position the bumper brackets to the inside of the tractor's frame and secure it in place with the four hex screws (a). Torque to 332–405 in-lbs (37.5–45.75 N-m). See Figure 10.

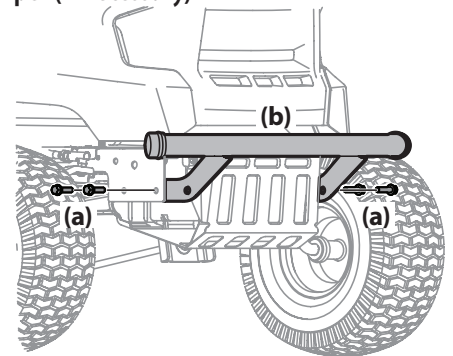


Figure 10

Adjusting the Seat

To adjust the position of the seat:

- Lift the seat adjustment lever up.
- Slide the seat forward or rearward to the desired position.
- Release the adjustment lever. Make sure seat is locked into position before operating the tractor. See Figure 11.

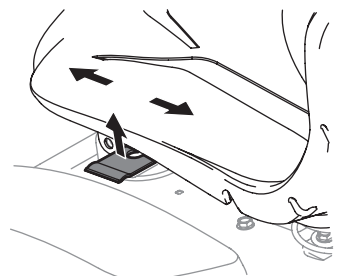


Figure 11

⚠ WARNING

Before operating the tractor, make sure the seat is engaged in the seat-stop. Engage the parking brake. Stand behind the tractor and pull back on seat until it clicks into place.

Checking Tire Pressure

See the tire sidewall for the proper inflation pressure. Proper inflation pressure should be maintained at all times.

Note: The tires on your tractor may be over-inflated for shipping purposes. If necessary, reduce the tire pressure before operating the tractor.

Setting the Deck Wheels (If Equipped)

Note: The deck wheels are an anti-scalp feature of the deck and are not designed to support the weight of the cutting deck.

Move the tractor to a firm and level surface, preferably pavement, and proceed as follows:

- Check the tire pressure, make sure the pressure is correct per the inflation pressure listed on the sidewall.
- Make sure the deck is level, both front-to-back and side-to-side. See the Service and Maintenance section for deck leveling information and instructions.
- Select the height position of the cutting deck by placing the deck lift lever in the normally desired mowing height setting.

ASSEMBLY

4. Check the wheels for contact or excessive clearance with the surface below. The deck wheels should have between $\frac{1}{4}$ " and $\frac{1}{2}$ " (6.4–12.7 mm) clearance above the ground. Proceed as follows to adjust the wheels:

- a. Raise the deck lift handle to its highest setting.
- b. Remove the front (a) and rear (b) deck wheels by removing the flange lock nuts (c) and shoulder bolts (d) that secure them to the deck. See Figure 12.

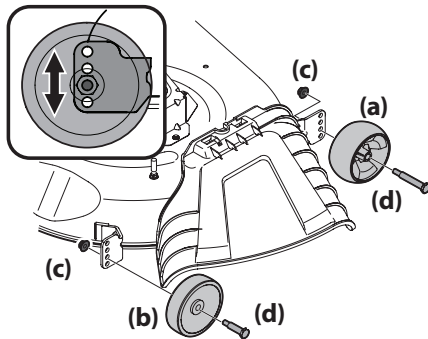


Figure 12

- c. Place the deck lift lever in the desired mowing height setting.
- d. Reinsert the shoulder bolt (with each deck wheel) into the index hole that leaves approximately $\frac{1}{2}$ -inch (12.7 mm) between the bottom of the wheel and the pavement. Tighten the flange lock nut and shoulder bolt to 25–30 ft-lbs (33.9–40.7 N-m).

Note: Refer to **Adjusting the Deck** in the Service and Maintenance section of this manual for more detailed instructions regarding various deck adjustments.

Charging the Battery

WARNING

- California Proposition 65: Cancer and reproductive harm – www.P65Warnings.ca.gov.
- The battery contains corrosive fluid and toxic material — HANDLE WITH CARE. Keep away from children. Do not puncture, disassemble, mutilate, or incinerate. Explosive gases could be vented during charging or discharging. Charge in a well ventilated area, away from sources of ignition.
- Recharge only with the charger provided with this tractor. A charger that is not suitable for this tractor may damage the batteries or create the risk of fire.
- Do not charge or operate the tractor in the rain or in wet conditions.

Refer to the manual packed with your battery charger for further information and instructions on charging the battery. The charging port on the tractor is located on the left side of the dash.

To charge the battery:

1. Lift the charging port cover (a). See Figure 13.
2. Insert the charging cord (b) into the charging port (c). See Figure 13.
3. Plug charger power cord into wall receptacle (outlet).

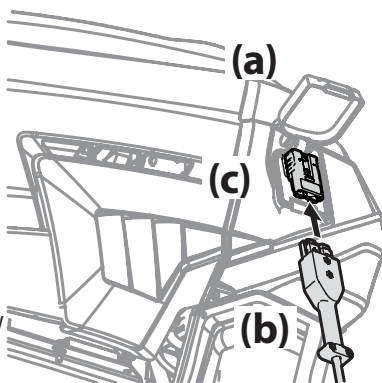


Figure 13

Note: It will take approximately 4 hours to fully charge the battery.

Note: The Vehicle Control Module (VCM) LED's will blink continuously when charging and the LCD display will display percentage of charge. The battery is completely charged when all green lights are illuminated and the LCD displays 100%.

Note: When the charging cord is plugged into the tractor and not yet plugged into the wall, the LED's will illuminate continuously until the cord is plugged into the wall.

If at any time your charger displays a fault while charging your battery, follow these procedures:

1. Turn the key off.
2. Unplug the charging cord from the tractor.
3. Unplug the charger power cord from the power source.
4. Plug the charger power cord back into the power source.
5. Plug the charging cord back into the tractor.
6. If the fault persists contact qualified service personnel.

Note: Rechargeable batteries degrade with time and use. The battery may eventually need to be replaced. To have the battery replaced, contact your authorized Service Dealer.

Note: Using old or faulty battery could cause a system fault that results in loss of power.

Battery Charging Tips

- The battery should be fully charged before the initial use.
- The battery should be fully charged after each use. Storing the battery in a discharged state could reduce performance.
- The battery will turn off automatically after a complete charge.
- It will take approximately 4 hours to fully charge the battery. Leaving the battery connected to the charger for more than 4 hours will not damage the battery.
- The battery does not develop a memory and does not need to be fully discharged before recharging.
- Always disconnect battery charger (or extension cord, if used) from the electrical receptacle (outlet) first, then disconnect the charging cord from the charging port.
- Never charge a frozen battery.
- It is recommended that the tractor be charged once every month during off-season storage.

OPERATION

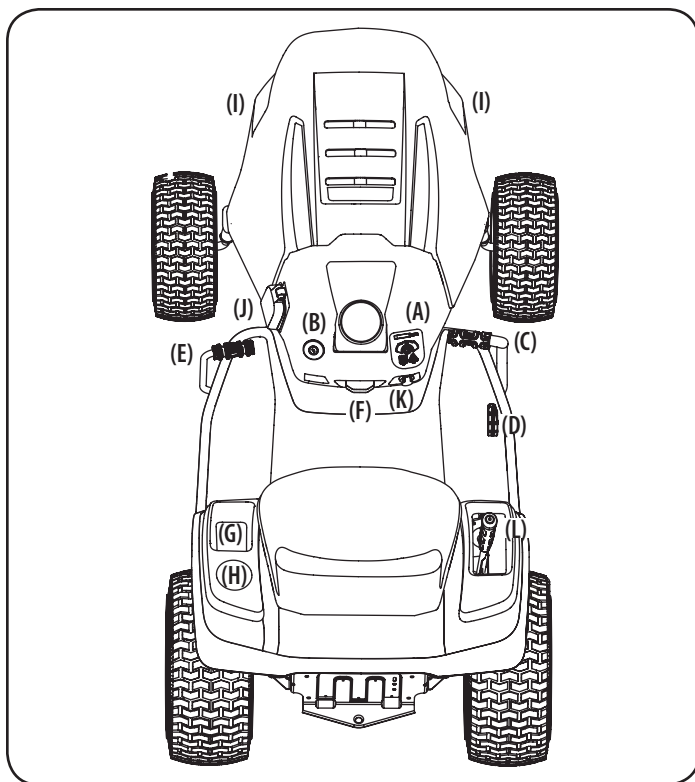


Figure 14

Note: References to LEFT, RIGHT, FRONT, and REAR indicate that position on the tractor when facing forward while seated in the operator's seat.

Vehicle Control Module (VCM) (A)

WARNING

Never leave a running tractor unattended. Always disengage PTO, set parking brake, stop tractor and remove the key to prevent unintended starting.

The vehicle control module (VCM) is located on the right side of the dash.

The VCM is the location of several control buttons for your tractor. The VCM includes the START/STOP button, PTO (blades ON/OFF) button, Reverse Caution Mode (RCM) button, Headlight button, Cruise Control button, LCD Screen and the Battery Level Indicator.



CAUTION

Prior to operating the tractor, refer to both Safety Interlock Switches and Starting The Tractor in the Operation section of this manual for detailed instructions regarding the VCM and operating the tractor in REVERSE CAUTION MODE.

Start/Stop Button



Located on the VCM, the start/stop button is used to start and stop the tractor.

PTO (Blades ON/OFF) Button



Located on the VCM, the PTO button is used to operate the blades. To engage the cutting deck (blades ON), press and hold the PTO button for one second. The green indicator light below the PTO button is ON and the LCD Screen displays "CUT DECK ON" for two (2) seconds then returns to the hour meter. Pressing the PTO button again will disengage the cutting deck (Blades OFF). The green indicator light below the PTO button is OFF.

Reverse Caution Mode (RCM) Button



Located on the VCM, the RCM button allows the tractor to be operated in reverse with the blade(s) engaged (ON). To activate the RCM, press and hold the RCM button down for three seconds. When activated, the red indicator light is illuminated. To de-activate the RCM, press the RCM button again. When the RCM is not activated, the red indicator light is not illuminated. Refer to Reverse Caution Mode (RCM) for more information on operating the tractor in the reverse caution mode.

Note: Mowing in reverse is not recommended.

WARNING

Use extreme caution while operating the tractor in the REVERSE CAUTION MODE. Always look down and behind before and while backing. Do not operate the tractor when children or others are around. Stop the tractor immediately if someone enters the area.

Headlight Button



Located on the VCM the headlight button is used to turn the headlights on or off.

Cruise Control Button

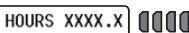


Located on the VCM, pressing the cruise control button while the tractor is in motion allows the tractor to remain at a constant ground speed without applying pressure to the forward drive pedal, the LCD Screen displays "CRUISE ON" when the cruise control is activated. The cruise control can be disengaged by pressing either the cruise control button, the brake pedal or the forward drive pedal.

Note: Cruise control will not engage at the tractor's fastest ground speed. If the operator should attempt to do so, the tractor will automatically decelerate to the fastest optimal mowing ground speed.

Note: Cruise control will not engage in reverse.

LCD Screen & Battery Level Indicator



Located on the VCM, the LCD display & battery level indicator are used to provide instructions, warnings and information about your tractor systems and the battery level of your tractor.

Key Switch (B)



The key switch is located on the left side of the dash and powers the VCM when the key is in the ON (I) position. The tractor cannot be started unless the key is in the ON (I) position and the START/STOP button is depressed. Turning the key to the OFF (O) position turns the tractor off.



Note: Before your tractor can be started, the safety label covering the key switch must be removed. This label is in place to prevent unintended starting when the tractor is on display. Peel off the label to access the key switch.

OPERATION

Forward Drive Pedal (C)

The forward drive pedal is located on the right side of the tractor, along the running board. Press the forward drive pedal forward to allow the tractor to travel forward. Ground speed is also controlled with the forward drive pedal. The further forward the pedal is depressed, the faster the tractor will travel. The pedal will return to its original/neutral position when it's not pressed.

Reverse Drive Pedal (D)

The reverse drive pedal is located on the right side of the tractor along the running board. Ground speed is also controlled with the reverse drive pedal. The further downward the pedal is depressed, the faster the tractor will travel. The pedal will return to its original/neutral position when it's not depressed.

Brake Pedal (E)

The brake pedal is located on the left side of the tractor, along the running board. The brake pedal can be used for stopping the tractor or setting the parking brake.

Note: The brake pedal must be fully depressed to start the tractor. Refer to Safety Interlock Switches for more information.

Park Brake Lever (F)



Located in the center of the tractor's dash panel below the steering wheel, the park brake lever is used to engage the parking brake. Refer to the Engaging the Parking Brake section of this manual for detailed instructions regarding the parking brake.

Storage Tray (G)

The storage tray is located to the left of the operator's seat.

Cup Holder (H)

The cup holder is located to the left of the operator's seat.

Headlight (I)

The headlights will turn ON whenever the key is ON and the headlight button is pressed. To turn the headlights OFF, press the headlight button again.

Charging Port (J)

The charging port is located on the left side of the dash. To access the charging port, lift up on the charging port cover.

USB Charging Ports (If Equipped) (K)



If equipped, a pair of USB power sources are located on the right side of the dash. The two USB ports are both rated 2.1A. The ports can be used to charge your phone or power up other USB devices.

WARNING

Do not have any devices plugged into your USB charging port when starting the tractor. Doing so may cause damage to your device.

Deck Lift Lever (L)



The deck lift lever is located in the right rear fender and is used to raise and lower the deck. Pull the lever to the left out of the index notch and push downward to lower the deck, or pull upward to raise the deck. When the desired height is attained, move the lever to the right until fully engaged in the index notch.

Seat Adjustment Lever (Not Shown)

The seat adjustment lever is located below the left side of the seat. The lever allows the seat to move both forward and backward. Refer to the Assembly section for instructions on adjusting the seat position.

Operation

Safety Interlock System

This tractor is equipped with a safety interlock system for the protection of the operator. If the interlock system should ever malfunction, do not operate the tractor. Contact an authorized service dealer.

- The safety interlock system prevents the operator from turning the tractor ON unless the operator is in the seat with the parking brake engaged or brake pedal fully depressed and the drive pedal in the neutral position.
- The tractor will not operate with the charger cord plugged into the charging port and/or the charging port cover open or removed.
- The tractor will automatically shut off the blade(s) and drive motors if the operator leaves the seat.

Note: To restart the tractor, follow the proper starting procedures as instructed below in Starting the Tractor section.

WARNING

Do not operate the tractor if the safety interlock system is malfunctioning. This system was designed for your safety and protection.

Engaging the Parking Brake

To engage the parking brake:

- Fully depress the brake pedal and hold it down with your foot.
- Depress the parking brake lever.
- Release the brake pedal to allow the parking brake to engage.

To release the parking brake:

- Depress the brake pedal and the parking brake will release.

Setting the Cutting Height

Select the height position of the cutting deck by placing the deck lift lever in any of the twelve (12) different cutting height notches on the right side of the rear fender. To use the deck lift lever, move the lever to the left, then place it in the notch best suited for your application.

WARNING

Keep hands and feet away from the discharge opening of the cutting deck.

Starting the Tractor

- Unplug the charging cord (if necessary). If the cord is still plugged in a reminder will display on the VCM when the key switch is turned on.
- Sit in the operator's seat. Insert the key into the key switch.

UNPLUG CORD

Note: A reminder will display on the VCM if the operator is not in the seat when the key switch is turned on.

SIT IN SEAT

- Fully depress the brake pedal or set the parking brake.

PRESS BRAKE

Note: If the brake is not engaged a reminder will display on the VCM when the key switch is turned on.

OPERATION

4. Turn the key clockwise to the ON (I) position.
5. Press the start/stop button down until you hear two beeps.

Note: The VCM and drive motors are now activated and the tractor is ready to be operated.

Stopping the Tractor

WARNING

If you strike a foreign object, stop the tractor, turn the key to OFF and remove. Thoroughly inspect the tractor for any damage. Repair the damage before restarting and operating.

1. If the cutting deck is engaged (blades ON), press the PTO button to disengage the blades (blades OFF) and engage the parking brake.
2. Press the start/stop button (you will hear one beep) or turn the key counter-clockwise to the OFF (O) position.
3. Remove the key to prevent unauthorized use by children or others.

Driving the Tractor

WARNING

- Avoid sudden starts, excessive speed and sudden stops.
- Do not leave the seat of the tractor without first pressing the PTO button to turn off the blade(s) and engaging the parking brake. If leaving the tractor unattended, turn the key to the OFF position and remove.
- Always look down and behind before and while backing up to avoid a back-over accident.

1. Disengage the parking brake.
2. To travel FORWARD, slowly depress the forward drive pedal until the desired speed is reached.
3. To travel in REVERSE, slowly depress the reverse drive pedal until the desired speed is reached.
4. The tractor is brought to a stop by releasing the forward or reverse drive pedal and depressing the brake pedal.

WARNING

Before leaving the operator's position for any reason, disengage the blade(s), engage the parking brake, turn the key switch to OFF position and remove the key.

Reverse Caution Mode (RCM)

The REVERSE CAUTION MODE button allows the tractor to be operated in reverse with the blade(s) (PTO) engaged.

Note: Mowing in reverse is not recommended.

WARNING

Use extreme caution while operating the tractor in the REVERSE CAUTION MODE. Always look down and behind before and while backing. Do not operate the tractor when children or others are around. Stop the tractor immediately if someone enters the area.

To use the REVERSE CAUTION MODE:

Note: The operator MUST be seated in the seat.

1. Start the tractor as previously instructed.
2. Press and hold the RCM button down for three seconds until the red indicator light illuminates. The red indicator will remain on as long as the REVERSE CAUTION MODE is on.
3. Once activated (indicator light ON), the tractor can be driven in reverse with the cutting blade(s) (PTO) engaged.

4. Always look down and behind before and while backing to make sure no children or others are around. After resuming forward motion, press the RCM button to return to normal mowing operation.

The REVERSE CAUTION MODE will remain activated until:

- a. The RCM button is pressed again to turn off the mode (red indicator turns off).
- b. The operator leaves the seat.
- c. The START/STOP button is pressed.

Operating the PTO

To operate the PTO (Blades ON/OFF) proceed as follows:

Press the PTO button for one second. When activated the green indicator light under the PTO button is ON (Blades ON). Press the PTO button again for one second, green indicator light is OFF (Blades OFF).

Mowing

WARNING



- To help avoid blade contact or a thrown object injury, keep bystanders, helpers, children and pets at least 75 feet (23 meters) from the tractor while it is in operation. Keep bystanders, children and pets inside during operation. Stop tractor if anyone enters the area.
- Plan your mowing pattern to avoid discharge of materials toward roads, sidewalks, bystanders and the like. Also, avoid discharging material against a wall or obstruction which may cause discharged material to ricochet back toward the operator.

The following information will be helpful when using the cutting deck with your tractor:

1. Do not mow or drive at high ground speed, especially if a mulch kit or grass collector is installed.
2. For best results it is recommended that the first two laps be cut clockwise with the discharge facing towards the center of your lawn. After the first two laps, reverse the direction to discharge to the outside for the balance of cutting. This will give a better appearance to the lawn.
3. Do not cut the grass too short. Short grass invites weed growth and yellows quickly in dry weather.
4. Under heavier conditions it may be necessary to go back over the cut area a second time to get a clean cut.
5. Do NOT attempt to mow heavy brush and weeds and grass taller than 10" (25.4 cm). Your tractor is designed to mow lawns, NOT clear brush.

Routine Service Reminders

During operation, a pair of service reminders will appear at regular intervals to help you properly maintain your tractor:

	Sharpen Blade Reminder: Occurs every 10 hours of PTO run time. When this message is displayed, the blade should be checked and sharpened or replaced if worn. For instructions, see Sharpening or Replacing the blades in the Service and Maintenance section of this manual.
	Check Tire Pressure Reminder: Occurs every 5 hours. When this message is displayed check and adjust the tire pressure per the proper tire pressure listed on the tire sidewall. See Checking Tire Pressure in the Assembly section of this manual.

SERVICE AND MAINTENANCE

WARNING

Before inspecting, cleaning or servicing the tractor, power off the tractor and remove the key.

Follow the maintenance schedule given below. This chart describes service guidelines only. Use the Service Log column to keep track of completed maintenance tasks. **Contact an authorized service dealer to schedule a service.**

	Prior to Use	After First Five Hours	Every Five Hours	Every 10 Hours	Every 25 Hours	Every 50 Hours	Every 100 Hours	Prior to Storing
Clean Top and Underside of Deck	✓							✓
Check/Clean Around fuses, Wiring and Wiring Harnesses	✓							✓
Check/Clean Around Transmission and Axle	✓							✓
Clean Tractor	✓							
Lube Front Axles, Rims and Deck Wheels					✓			✓
Lube Pedal Pivot Points, Parking Brake and Lift Linkage				✓				✓
Check Tire Pressure/Inflate to Sidewall Specification	✓		✓					
Check Deck Level/Pitch/Adjust as needed					✓			✓
Check Blade(s)/Sharpen or Replace as Needed	✓			✓				✓
Charge Battery	✓							✓
Check Safety Interlock System				✓				
Check Tractor Blade Stop Time				✓				
Check Blade Mount Bolt Torque (Tighten to 450-600 in-lbs (51.9–67.8 N-m))		✓				✓		✓
Check That All Hardware is in Place and Secure				✓			✓	

IMPORTANT: Bring the battery charger when arriving at your authorized service dealer for any scheduled service.

DANGER

- The electrical components on this tractor are not serviceable. Please contact an authorized service dealer for any service needs.
- Have your tractor serviced by qualified service personnel using only identical replacement parts. This will ensure that the safety of the tractor is maintained.

Post-Operation Tractor Care

After each operation of the tractor, the following procedures should be implemented to extend the life of your tractor and ensure safe operating conditions.

DANGER

Failure to follow these recommendations may result in serious injury to yourself or others and may cause damage to the tractor.

Cleaning the Underside of the Deck

WARNING

To prevent serious injury, do not use water to clean the tractor, battery or battery charger. Do not use strong detergents. Household cleaners that contain aromatic oils such as pine and lemon, and solvents such as kerosene, can damage plastic.

The underside of tractor deck should be cleaned after each use as grass clippings, leaves, dirt and other debris will accumulate. This accumulation of grass clippings, etc., is undesirable as it will promote rust and corrosion.

1. Remove any buildup of grass, leaves and debris on or around the deck motors and underside of the tractor (DO NOT USE WATER). Wipe the tractor clean with a dry cloth.

Important: Do not use a pressure washer or garden hose to clean your tractor. These may cause damage to electric components or the electric motor. The use of water will result in shortened life and reduce serviceability.

SERVICE AND MAINTENANCE

Cleaning the Tractor

⚠ WARNING

If the tractor has been recently run, metal surfaces will be hot and can cause burns to the skin. Let the tractor cool for at least five minutes. Exercise caution to avoid burns.

Your tractor should be cleaned after each use and under certain conditions, i.e. dry conditions and/or mulching situations, additional cleaning may be necessary.

One of the best ways to keep your tractor running efficiently and to reduce fire risk is to regularly remove debris buildup from the tractor. Follow the recommendations below and contact your authorized dealer with any questions.

- Allow the tractor to cool in an open area before cleaning.
- Do not use water on any part of the tractor. Doing so can cause damage to the tractor's electrical components and motors. The use of compressed air and/or leaf blower or a brush, damp sponge or rag will help keep the tractor clean.

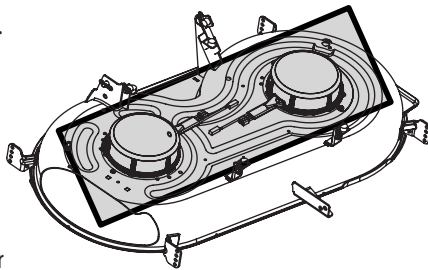


Figure 15

- Clean around fuses and wiring harnesses.
- Clean the top of the tractor deck. See Figure 15.

- Clean around and near the transmission and axle. See Figure 16.

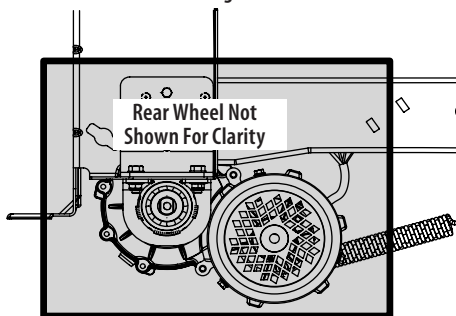


Figure 16

- Debris can accumulate anywhere on the tractor, especially on horizontal surfaces. Additional cleaning may be necessary when mowing in dry conditions or when mulching.
- Excess lubrication can become collection sites for debris. Immediate repair and cleaning up excess lubrication can help reduce fire hazards.
- In addition to cleaning the tractor before operating and storing, do not attempt to mow unusually tall grass (10" (25.4cm) or higher), dry grass (e.g., pasture) or piles of dry leaves. Dry grass or leaves may build up on the tractor deck presenting a potential fire hazard.

Lubrication

⚠ DANGER

Bearing failures and overheating can result in fire. Always follow the instructions in this manual regarding lubrication locations and intervals. Contact your authorized dealer with any questions about the lubrication locations and intervals or any unusual noises coming from any areas a bearing may be located.

⚠ WARNING

Before lubricating, repairing, or inspecting, always disengage the PTO, set the parking brake, turn key to OFF position and remove to prevent unintended starting.

Front Wheels

Each of the front wheel axles and rims is equipped with a grease fitting. See Figure 17 for the location of the grease fitting on the axles and Figure 18 for the location of the grease fitting on the rims. Lubricate with a No. 2 multi-purpose grease applied with a grease gun after every 25 hours of operation.

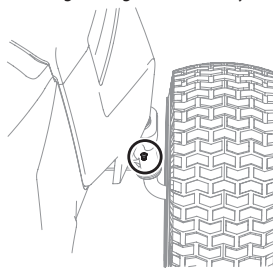


Figure 17

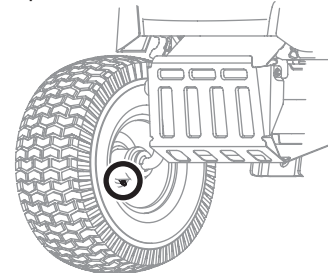


Figure 18

Deck Wheels

The wheels on the deck which are spherical in shape are equipped with a grease fitting. Lubricate with a No. 2 multi-purpose grease applied with a grease gun after every 25 hours of operation.

Pivot Points & Linkage

Lubricate all the pivot points on the drive system, parking brake and lift linkage every ten hours with light oil.

Note: It is not necessary to grease the steering pinion/sector gear interface. Doing so will allow dirt to accumulate and can affect steering performance.

Adjustments

⚠ WARNING

Before making adjustments, always disengage the PTO, set the parking brake, turn key to OFF position and remove to prevent unintended starting. Protect your hands by using heavy gloves when handling the blades.

Note: Check the tractor's tire pressure before performing any deck leveling adjustments. Refer to Checking Tire Pressure in the Assembly Section for information regarding tire pressure.

Adjusting the Deck

Leveling the Deck (Front-To-Rear)

The front of the deck is supported by a stabilizer bar that can be adjusted to level the deck from front to rear. The front of the deck should be between 1/4" (6.4 mm) and 3/8" (9.5 mm) lower than the rear of the deck. Adjust if necessary as follows:

1. Park the tractor on a firm, level surface and place the deck lift lever in the middle position and rotate the blade nearest the discharge chute so that it is parallel with the tractor.
2. Measure the distance from the front of the blade tip to the ground and the rear of the blade tip to the ground. The front of the blade should be between 1/4" (6.4 mm) and 3/8" (9.5 mm) less than the rear of blade.
3. Determine the approximate distance necessary for proper adjustment and proceed, if necessary.
4. To raise the front of the deck, loosen the outer nut then tighten (thread inward) the nut against the front hanger bracket. See Figure 19. When proper adjustment is achieved, re-tighten the outer nut to 25–30 ft.-lbs (33.9–40.7 N-m).

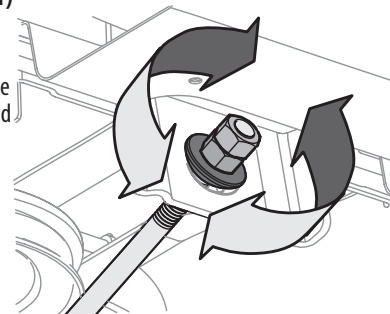


Figure 19

SERVICE AND MAINTENANCE

5. To *lower* the front of the deck, loosen the outer nut then loosen (thread outward) the nut, away from the front hanger bracket. See Figure 19. When proper adjustment is achieved, re-tighten the outer nut.

Leveling the Deck (Side-to-Side)

If the deck appears to be mowing unevenly, a side-to-side adjustment can be performed. Adjust if necessary as follows:

1. With the tractor parked on a firm, level surface, place the deck lift lever in the middle position and rotate both blades so that they are perpendicular with the tractor.
2. Measure the distance from the outside of the left blade tip to the ground and the distance from the outside of the right blade tip to the ground. Both measurements taken should be equal. If they're not, proceed to the next step.
3. Under the rear fenders inside the wheels there is a lift adjustment rod for each side of the deck. See Figure 20.
4. Minor side-to-side adjustments should be made using primarily the left adjustment rod.
5. To raise the left side of the deck, loosen the upper nut on the end of the lift rod, then turn the lower nut clockwise. When the proper adjustment is achieved, tighten the upper nut to secure in place. To lower the left side of the deck, loosen the upper nut on the end of the lift rod, then turn the lower nut counterclockwise. When the proper adjustment is achieved, tighten the upper nut to 25–30 ft–lbs. (33.9–40.7 N–m) to secure in place.
6. The deck is properly leveled when both blade tip measurements taken earlier are equal.

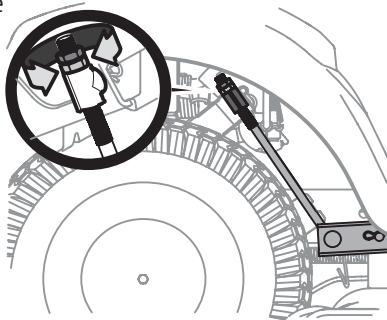


Figure 20

Adjusting the Deck Height

The height of the deck can be adjusted to ensure that the setting on your deck height lever is accurate. To adjust the deck height proceed as follows:

1. Park the tractor on a firm, level surface and place the deck lift lever in the highest position (4" (10cm)) and rotate the blade nearest the discharge chute so that it is perpendicular with the tractor.
2. Measure the distance from the outside of the left blade tip to the ground and the distance from the outside of the right blade tip to the ground. Both measurements taken should be 4" (10cm). If they're not, proceed to the next step.
3. Using the right and left lift rods, raise or lower the necessary side of the deck until both sides are measured at 4" (10cm) from the pavement.

Adjusting the Deck Wheels (If Equipped)

⚠ WARNING

Keep hands and feet away from the discharge opening of the deck.

Note: The deck wheels are an anti-scalp feature of the deck and are not designed to support the weight of the deck.

The deck wheels should be approximately 1/4"–1/2" (6.4–12.7 mm) above the ground when the deck is set in the desired height setting. To adjust the deck wheels see the Assembly section for instructions.

Seat Adjustment

Refer to the Assembly section of this manual for seat adjustment instructions.

⚠ WARNING

Before operating the tractor, make sure the seat is engaged in the seat-stop. Engage the parking brake. Stand behind the tractor and pull back on seat until it clicks into place.

Parking Brake Adjustment

If the tractor does not come to a complete stop when the brake pedal is completely depressed, or if the tractor's rear wheels can roll with the parking brake applied, the brake is in need of adjustment. See your authorized service dealer to have the brake adjusted.

Neutral Adjustment

If the tractor creeps forward or rearward when neither the forward nor reverse pedal is depressed, contact your local authorized dealer to have the neutral setting properly adjusted.

Front Wheel Alignment

If your tractor pulls to one side or is out of alignment, a wheel alignment might be necessary. Ensure each tire is properly inflated per the inflation pressure indicated on the tire sidewall. If the problem persists, the front axle tie rods may be out of alignment. Take your tractor to an authorized service dealer to have the front wheels properly aligned.

Service

Deck Removal

To remove the deck, proceed as follows:

1. Power off the tractor, remove the key from the key switch, and engage the parking brake.
2. Lower the deck by moving the deck lift lever into the lowest (#1) position on the right fender.
3. Disconnect the deck motor(s) from the adapters on the underside of the tractor. Rotate the connectors 1/4-turn counterclockwise and pull down. See Figure 21.

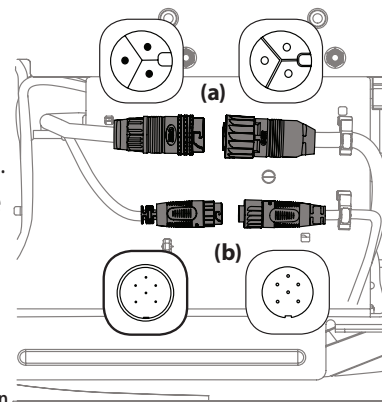


Figure 21

Looking at the deck from the left side of the tractor, locate the bow-tie pin on the rear left side of the deck. See Figure 22.

4. Remove the pin and slide the deck pin out of the deck lift arm. See Figure 22.
5. Repeat the above steps on the tractor's right side.
6. Pull the bow-tie pin out of the front deck lift rod securing it to the deck. See Figure 23. Slide the deck lift rod out of the front hanger bracket.
7. Move the deck lift lever into the top notch to raise the deck lift up and out of the way.

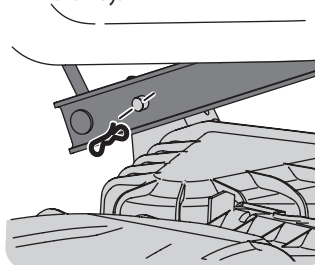


Figure 22

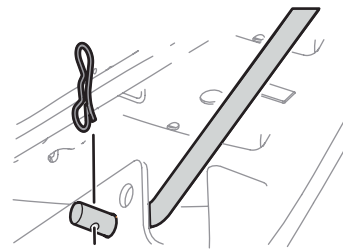


Figure 23

SERVICE AND MAINTENANCE

CAUTION

There is a certain amount of spring tension due to the weight of the deck. When removing the lift linkage from the deck the tension of the springs will go from the deck to the deck lift handle and snap back.

- Gently slide the deck out from underneath the tractor.

Deck Installation

To install the deck, reverse the Deck Removal instructions on page 15.

Blade(s)

WARNING

- Power off the tractor and remove the key before removing the cutting blade(s) for sharpening or replacement. Protect your hands by using heavy gloves when grasping the blade.
- Periodically inspect the blade and/or deck motor casting for cracks or damage, especially after you've struck a foreign object. Do not operate the tractor until damaged components are replaced.

CAUTION

If the cutting edge of the blade has previously been sharpened, or if any metal separation is present, replace the blades with new ones.

Sharpening or Replacing the Blades

- Remove the deck from beneath the tractor, (refer to Deck Removal earlier in this section) then gently flip the deck over to expose its underside.

- Place a block of wood between the deck housing baffle and the cutting blade to act as a stabilizer. See Figure 24.

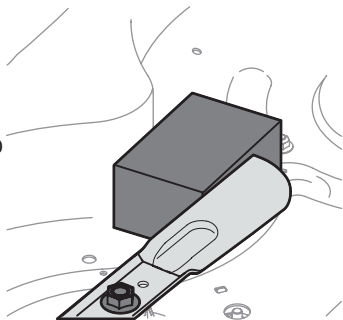


Figure 24

- Remove the hex screw (a) and the blade bell support (b) which holds the blade (c) and the blade adapter (d) to the deck motor. See Figure 25.

- Remove blade (c) and adapter (d) from the deck motor spindle. See Figure 25.

- To properly sharpen the cutting blade, remove equal amounts of metal from both ends of the blade along the cutting edges, parallel to the trailing edge, at a 25° to 30° angle. Always grind each cutting blade edge equally to maintain proper blade balance. See Figure 26.

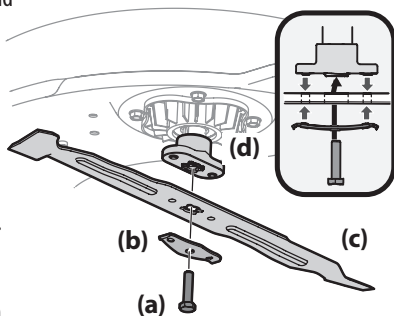


Figure 25

- Test the blade's balance using a blade balancer. Grind metal from the heavy side until it balances evenly.

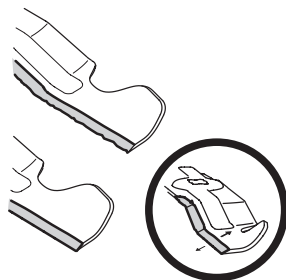


Figure 26

WARNING

A poorly balanced blade will cause excessive vibration, may damage the tractor and/or result in personal injury.

Note: When replacing the blade, be sure to install the blade with the side of the blade marked "Bottom" (or with a part number stamped in it) facing the ground when the tractor is in the operating position.

- Reinstall blade when properly sharpened. Torque to 450–600 in-lbs (50.9–67.8 N-m).

Off-Season Storage

Storing the Tractor

- Allow the tractor to cool in an open area before storing.
- Do not park the tractor near any flammable materials (wood, cloth or chemicals) or any open flames or other potential source of ignition (furnace, water heater or any other type of heater).
- Remove all combustible materials from the tractor before storing. Empty cargo boxes, grass catchers or containers.

Removing The Tractor From Storage

- Fully charge the battery and inflate the tires to the recommended pressures.
- Drive the tractor without a load to make certain all the tractor systems are functioning properly.

Battery Storage

- The battery should be stored with a full charge. A discharged battery can freeze faster than a charged battery in cold temperatures.
- The battery charger should remain connected to the charging port on the tractor when not in use.
- If keeping the charger connected during off-season storage is not possible, the battery should be fully charged once every month.

Note: It will take approximately 4 hours to fully charge the battery. Leaving the battery connected to the charger for more than 4 hours will not damage the battery.

- Battery should not be kept in a discharged state. Permanent damage to the battery can occur.
- Fully recharge the battery before returning to service.

Battery Disposal

Disposing of Damaged or Worn-Out Battery

WARNING

- The following toxic and corrosive material is used in this battery: LITHIUM-ION, a toxic material.
- Do not use broken or cracked batteries, even if there is no leakage. Replace damaged or worn-out batteries with new batteries. DO NOT ATTEMPT TO REPAIR BATTERIES! Repair attempts may result in severe personal injury, due to explosion or electrical shock.

To avoid personal injury and damage to the environment:







- Do not attempt to remove or destroy any of the battery components. Do not open or mutilate the battery. If a leak develops, released electrolytes are corrosive and toxic. Do not get the solution in your eyes or on your skin, and do not swallow it.
- Do not dispose of the battery in the regular household trash.
- Do not dispose of the battery in a fire. The cell may explode.
- Do not dispose of the battery where it will become part of any waste landfill or municipal solid waste stream.
- Contact your local authorized service dealer for proper battery recycling.




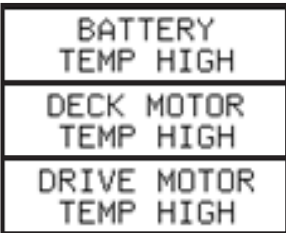
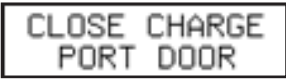

SERVICE AND MAINTENANCE

Troubleshooting

Problem	Cause	Remedy
Excessive Vibration	<ol style="list-style-type: none"> Blade loose or unbalanced Cutting blade damaged, unbalanced or bent. 	<ol style="list-style-type: none"> Tighten cutting blade and deck spindle Replace the blade
Uneven Cut	<ol style="list-style-type: none"> Deck not properly leveled Cutting blade dull or damaged Uneven tire pressure 	<ol style="list-style-type: none"> Perform front-to-rear deck adjustment Sharpen or replace cutting blade Check and correct tire pressure in all four tires
Tractor will not mulch grass	<ol style="list-style-type: none"> Wet grass Excessively high grass Dull blade 	<ol style="list-style-type: none"> Do not mulch when grass is wet Mow once at a high cutting height, then mow again at desired height or make a narrower cutting swath Sharpen or replace blade
Tractor stopped or will not start	<ol style="list-style-type: none"> Electrical system fault 	<ol style="list-style-type: none"> Shut off and restart tractor. If problem persists, contact an authorized service dealer
The blades do not rotate /blades stopped	<ol style="list-style-type: none"> Overload Low battery 	<ol style="list-style-type: none"> Allow deck motor(s) to cool/raise deck height Return home, plug into charger
The blade(s) stopped when traveling in reverse	<ol style="list-style-type: none"> Blade(s) stopped 	<ol style="list-style-type: none"> Restart blade(s) (PTO). Make sure Reverse Caution Mode is activated.
Reduced Speed	<ol style="list-style-type: none"> Low battery Overload 	<ol style="list-style-type: none"> Charge battery as instructed in the battery charger manual Raise deck

LCD Screen Messages

Message	Description
	Brake Switch Fault: The deck and drive shut off. Power off and restart tractor. If problem persists contact qualified service personnel.
	Accelerator Pedal Sensor Fault: The deck and drive shut off. Power off and restart tractor. If problem persists contact qualified service personnel.
	Seat Switch Fault: The deck and drive shut off. Power off tractor, sit in seat and restart tractor. If problem persists contact qualified service personnel.
	Cutting Deck Overload: The deck and drive shut off. Power off the tractor, clean under the deck as instructed in the Post-Operation Tractor Care section and restart the tractor. Raise the deck and/or cut at a slower pace. If problem persists contact qualified service personnel.
	Drive Motor Over Current Fault: The deck and drive shut off. Power off, let the tractor cool and restart tractor. If problem persists contact qualified service personnel.
	Drive Motor Control Fault: The deck and drive shut off. Power off and restart tractor. If problem persists contact qualified service personnel.

Message	Description
	Self Test Fault: The deck and drive shut off. Power off and restart tractor. If problem persists contact qualified service personnel.
	Electrical Faults: The deck and drive shut off. Power off and restart tractor. If problem persists contact qualified service personnel.
	Battery Temperature Low: Move the tractor to a warm location and allow the battery to warm. If problem persists contact qualified service personnel.
	High Temperature Faults: Power off, let the tractor cool and restart tractor. If problem persists contact qualified service personnel.
	Charge Port Door is Open: The tractor will come to a stop and shut off. Close the charge port door and restart tractor. If problem persists contact qualified service personnel.
	Low Battery Warning: The battery is low and should be charged as soon as possible.

MANUAL DEL OPERADOR

Tractor a Batería de Ion de Litio

Registro de Información del Producto

Antes de configurar y hacer funcionar su equipo nuevo, por favor localice la placa de modelo que viene en el equipo y registre la información en el espacio de la derecha. Para encontrar la placa de modelo, eleve el asiento y mire en la parte inferior de la bandeja del asiento. Si tiene que solicitar soporte técnico a través de nuestro sitio web o de un distribuidor de servicio local autorizado, necesitará esta información.

NÚMERO DE MODELO

3	3			A	7		S			
---	---	--	--	---	---	--	---	--	--	--

NÚMERO DE SERIE

--	--	--	--	--	--	--	--	--	--	--

Índice

<i>Prácticas de Operación Seguras</i>	2	<i>Servicio y Mantenimiento</i>	14
<i>Montaje</i>	8	<i>Solución de Problemas</i>	18
<i>Funcionamiento</i>	11	<i>Piezas/Garantía</i>	Consulte el suplemento que se adjunta por separado

▲ ADVERTENCIA

Lea y cumpla todas las normas de seguridad y las instrucciones de este manual antes de intentar operar esta máquina.
Si no sigue estas instrucciones, se pueden provocar lesiones personales.

▲ ADVERTENCIA

Proposición 65 de California
Cáncer y Daños Reproductivos – www.P65Warnings.ca.gov.

NOTA: Este Manual del Operador corresponde a varios modelos. Las características pueden variar según los modelos. No todas las características que se incluyen en este manual se aplican a todos los modelos y el modelo que se ilustra aquí puede diferir del suyo.

PRÁCTICAS DE OPERACIÓN SEGURAS

ADVERTENCIA

▲Este símbolo indica instrucciones de seguridad importantes que, de no seguirse, pueden poner en peligro su seguridad personal y/o material y la de otras personas. Lea y cumpla todas las instrucciones de este manual antes de intentar hacer funcionar este tractor. Si no sigue estas instrucciones, se pueden provocar lesiones personales. Cuando vea este símbolo, ¡TENGA EN CUENTA LA ADVERTENCIA!

PELIGRO

Este tractor fue diseñado para ser utilizado respetando las prácticas de operación seguras que figuran en este manual. Al igual que con cualquier tipo de equipo motorizado, un descuido o error por parte del operador puede producir lesiones graves. Este tractor es capaz de amputar dedos, manos y pies y de arrojarse residuos. De no respetar las instrucciones de seguridad siguientes, se pueden ocasionar lesiones graves o la muerte.

Sistema de la Batería de Ion de Litio

Cualquier tarea de servicio requiere sumo cuidado y conocimiento del sistema y debe ser realizado únicamente por un técnico de servicio calificado. Para reparar su tractor, diríjase a su distribuidor de servicio autorizado más cercano. Cuando realice el servicio, debe usar siempre piezas de reemplazo del fabricante del equipo original (OEM).

Información General

1. Lea, entienda y cumpla todas las instrucciones incluidas en el tractor y en los manuales antes de intentar armar la unidad y utilizarla. Guarde este manual en un lugar seguro para consultas futuras y periódicas, así como para solicitar repuestos.
2. Familiarícese con todos los controles y su correcto funcionamiento. Sepa cómo detener el tractor y desactivar los controles rápidamente.
3. No permita nunca que los niños menores de 14 años utilicen este tractor. Los niños de 14 años en adelante deben leer y entender las instrucciones y las prácticas de operación seguras contenidas en este manual y sobre el tractor, y deben ser entrenados y supervisados por un adulto.
4. Nunca permita que los adultos operen este tractor sin recibir antes la instrucción apropiada.
5. Si se presentan situaciones que no están previstas en este manual, tenga cuidado y use el sentido común. Póngase en contacto con su representante de atención al cliente para obtener ayuda.
6. De conformidad con la Comisión de Seguridad de Productos para el Consumidor de los Estados Unidos (CPSC) y la Agencia de Protección Ambiental de los Estados Unidos (EPA), este producto tiene una vida útil estimada de siete (7) años, en condiciones normales de uso. Al final de su vida útil, se deberá solicitar una inspección del producto anualmente a fin de asegurarse de que todos los sistemas mecánicos, eléctricos y de seguridad funcionen adecuadamente, de manera segura y no estén excesivamente desgastados. Si no lo hace, puede ocasionar accidentes, lesiones o la muerte.

Preparativos Anteriores al Uso

1. Revise minuciosamente el área donde se va a usar el tractor. Saque todas las piedras, palos, cables, huesos, juguetes y demás objetos extraños que puedan ser recogidos y arrojados por la(s) cuchilla(s). Los objetos arrojados por la máquina pueden producir lesiones personales graves.
2. Para ayudar a evitar el contacto con las cuchillas o una lesión por algún objeto que sea arrojado, mantenga a personas, ayudantes, niños y mascotas alejados al menos 75 pies (23 metros) del tractor mientras está en funcionamiento. Mantenga a las personas, los niños y las mascotas en interiores durante el funcionamiento. Detenga el tractor si alguien entra en la zona.
3. Esté atento a la dirección de la descarga del tractor y no apunte a nadie.
4. Para protegerse los ojos, utilice siempre anteojos o antiparras de seguridad durante la operación o mientras realiza ajustes o reparaciones. Los objetos arrojados que rebotan pueden producir lesiones graves en los ojos.
5. Utilice zapatos de trabajo resistentes, de suela fuerte, y pantalones y camisas ajustados. Las ropas sueltas, las alhajas y el cabello largo pueden engancharse en las piezas móviles. Nunca haga funcionar este tractor si está descalzo o con sandalias.
6. No cargue ni haga funcionar el tractor bajo la lluvia o en condiciones húmedas.

7. Use solo aditamentos o accesorios aprobados para este tractor por el fabricante del tractor. Lea, comprenda y siga todas las instrucciones incluidas con el accesorio o aditamento aprobado.

Funcionamiento

1. Los datos estadísticos muestran que los operadores mayores de 65 años se ven implicados en un alto porcentaje de lesiones relacionadas con tractores. Estos operadores deben evaluar su capacidad para operar el tractor en forma suficientemente segura para protegerse a ellos mismos y a los demás contra lesiones graves.
2. Aplique el freno de mano antes de intentar encender el tractor.
3. Planifique el patrón de corte, para evitar que la descarga de materiales se dirija hacia caminos, aceras, observadores, etc. Evite además descargar material contra una pared u obstrucción, ya que esto podría hacer rebotar el material descargado contra el operador.
4. En caso de falla en un sistema o pérdida completa de energía de la batería, el tractor podría deslizarse por la cuesta sin control. Presione el pedal de freno para mantener el control y detener el tractor. Vuelva a encender el motor. Si la falla del sistema persiste, póngase en contacto con su distribuidor de servicio autorizado.
5. No ponga las manos ni los pies cerca de las piezas rotatorias ni debajo de la plataforma de corte. El contacto con la(s) cuchilla(s) puede amputar manos y pies.
6. Esté atento a los hoyos, surcos, baches, rocas, u otros objetos ocultos. El terreno desnivelado puede hacer que vuelque el tractor. El césped alto puede ocultar obstáculos.
7. Revise la holgura superior antes de conducir debajo de ramas bajas de árboles, cables, cerramientos de puertas, etc., donde el operador puede golpearse o ser tirado del tractor, lo que podría resultar en lesiones graves.
8. Nunca deje un tractor en funcionamiento sin vigilancia. Siempre apague las cuchillas, aplique el freno de mano, presione el botón Encendido/Detención, coloque la llave en posición OFF y retire la llave antes de bajar del tractor.
9. Apague las cuchillas, coloque el freno de mano, presione el botón de Encendido/Detención y espere hasta que la(s) cuchilla(s) se detenga(n) por completo antes de retirar el colector de recortes de césped, vaciar los recortes, desbloquear la tolva, retirar cualquier residuo o desecho, o realizar cualquier ajuste.
10. Su tractor fue diseñado para cortar césped residencial normal, con una altura no mayor de 10" (25.4 cm). No intente cortar césped demasiado crecido, seco (como un pastizal) ni pilas de hojas secas. El césped o las hojas que están secos pueden entrar en contacto con superficies calientes y/o acumularse en la plataforma del tractor presentando un potencial peligro de incendio.
11. Apague las cuchillas antes de desplazarse marcha atrás. Retroceda lentamente. Siempre mire hacia abajo y hacia atrás antes y mientras retrocede para evitar accidentes.

PRÁCTICAS DE OPERACIÓN SEGURAS

12. Nunca lleve pasajeros.
13. Manténgase a por lo menos 10 pies (3 metros) de barrancos, zanjas o terraplenes o del borde del agua. El tractor puede volcarse repentinamente si una de las ruedas pasa el borde de un acantilado o zanja o si se desmorona un borde.
14. Si falta o está dañado un deflector del canal, una clavija para abono o colector de césped podría causar lesiones por contacto con la cuchilla u objetos arrojados.
15. No opere el tractor si no está el deflector del canal, la clavija para abono o el colector de césped completo en su lugar correspondiente.
16. Tenga mucho cuidado con los colectores de césped y otros accesorios. Pueden modificar la estabilidad del tractor. Siga siempre las instrucciones del fabricante del accesorio.
17. Detenga la(s) cuchilla(s) cuando cruce sendas, senderos o caminos de gravilla, y cuando no esté cortando el césped.
18. Vigile el tránsito vehicular cuando esté operando cerca de caminos o en cruces. Este tractor no se ha diseñado para el uso en la vía pública.
19. Úsela solamente con luz natural o con buena luz artificial.
20. No haga funcionar el tractor si se encuentra bajo los efectos del alcohol o las drogas.
21. Reduzca la velocidad antes de girar. Opere el tractor suavemente. Evite que funcione de manera errática y a excesiva velocidad.
22. Los motores pueden calentarse y provocar quemaduras graves. No los toque. Deje que se enfríe el tractor durante cinco minutos antes de intentar cualquier tarea de mantenimiento.
23. No apague el tractor y no se desplace cuesta abajo sin control. Desplazarse cuesta abajo sin control podría causar daños serios a los motores.

Niños

1. Se pueden producir accidentes trágicos si el operador no está alerta a la presencia de niños. Por lo general, los niños se sienten atraídos por el tractor y su actividad. Los niños no son conscientes de los peligros. Nunca asuma que los niños permanecerán donde los vio por última vez.
2. Mantenga a observadores, niños y mascotas en interiores durante la operación bajo la atenta supervisión de un adulto responsable que no sea el operador. Detenga el tractor si alguien entra en la zona.
3. Nunca transporte niños, ni siquiera con las cuchillas desactivadas. Podrían caerse y resultar gravemente heridos o interferir con la operación segura del tractor. Los niños que ya hubieran sido transportados en ocasiones anteriores podrían aparecer repentinamente en la zona de corte para otra vuelta y ser atropellados o también podrían ser arrollados al dar marcha atrás con el tractor.
4. Esté alerta y apague el tractor si un niño o un observador ingresa al área.
5. Para evitar accidentes al retroceder, siempre mire hacia atrás y hacia abajo para ver si hay niños.
6. Tenga mucho cuidado al aproximarse a esquinas ciegas, puertas, arbustos, árboles u otros objetos que puedan obstaculizarle la vista de un niño que pudiese correr al encuentro del tractor.
7. No permita nunca que los niños menores de 14 años utilicen este tractor. Los niños de 14 años en adelante deben leer y entender las instrucciones y las prácticas de operación seguras contenidas en este manual y sobre el tractor, y deben ser entrenados y supervisados por un adulto.
8. No permita que se transporte a ningún niño por diversión en el tractor. El tractor no es un juguete ni un carro de paseo. Adviértales a sus hijos que el tractor puede ser peligroso y que deben mantenerse alejados de él en todo momento.
9. Mantenga a los niños alejados de un tractor que está caliente o en funcionamiento. Podrían sufrir quemaduras por contacto con motores calientes.
10. Retire la llave cuando el tractor quede sin vigilancia para evitar el funcionamiento no autorizado. Asegúrese de que la llave quede fuera del alcance de los niños pequeños.

Operación en Pendientes

1. Las pendientes son un factor importante en los accidentes ocasionados por pérdida de control y vuelcos que pueden causar lesiones graves e incluso la muerte. Todas las pendientes requieren precaución extra. Si no puede retroceder por la pendiente o si no se siente seguro, no realice ningún corte o no se desplace sobre ella.
2. Para su seguridad, mida las pendientes antes de usar el tractor en el lugar inclinado. Use un dispositivo de medición de pendientes además del indicador de pendiente que se incluye como parte de este manual para medir las pendientes antes de operar este tractor sobre una zona inclinada o con pendientes. Para medir las pendientes, también se pueden usar aplicaciones de teléfonos inteligentes. Si la pendiente es de más de 15 grados según figure en el indicador de pendientes o un dispositivo de medición de pendientes, no haga funcionar este tractor en ese sector pues podría causar lesiones graves.
3. No corte el césped en pendientes de más de 15 grados (25%).
4. No corte el césped subiendo y bajando pendientes, solo hágalo de forma transversal a las pendientes que son de menos de 15 grados (25%). Utilice las velocidades bajas y evite los giros bruscos.
5. No corte el césped húmedo. La reducción de la tracción puede causar derrapes o pérdidas del control.
6. No opere el tractor en ninguna condición en la que se comprometan la tracción, la dirección o la estabilidad. Los neumáticos podrían deslizarse incluso si las ruedas están detenidas.
7. Evite arrancar y parar en una pendiente. Evite hacer cambios repentinos de velocidad o dirección. Haga los giros de forma lenta y gradual.
8. Tenga mucho cuidado al operar este tractor con el colector de césped y otros accesorios. Pueden comprometer la estabilidad del tractor. No utilice el colector de césped en pendientes superiores a 10 grados (17%).
9. No intente estabilizar el tractor poniendo el pie en el suelo.
10. Haga que todos los movimientos en las pendientes sean lentos y graduales. No realice cambios bruscos de velocidad o dirección. La aceleración repentina podría hacer que el frente del tractor se levantara y volcara rápidamente hacia atrás, lo que podría producir lesiones graves o la muerte.
11. No apague el tractor y no se desplace cuesta abajo sin control. El exceso de velocidad puede hacer que el operador pierda el control del tractor, ocasionando lesiones graves e incluso la muerte.

Transporte

1. Utilice rampas de ancho total bien sujetas para cargar y descargar un tractor para el transporte.
2. Tenga mucho cuidado al cargar o descargar el tractor en un remolque o camión. Este tractor no debe conducirse subiendo o bajando rampas, ya que el tractor podría volcar y provocar lesiones personales graves. El tractor se debe empujar a mano en rampas para cargarlo o descargarlo correctamente.
3. Eleve la plataforma hasta la posición más alta para tener separación para la carga.
4. No remolque este tractor pues podrían dañarse los motores.

Remolques con su tractor

1. No remolque cargas que superen las 250 libras (113 kg) de peso de arrastre y nunca supere las 50 libras (22 kg) de peso sobre el punto de enganche.
2. No acople el equipo remolcado excepto en el punto de enganche del tractor.
3. Nunca permita que los niños y otras personas se suban a equipos remolcados.
4. No remolque en pendientes de más de 5 grados (9%). En las pendientes, el peso del equipo remolcado puede causar pérdida de tracción y pérdida de control, y/o de la capacidad para detenerse.
5. Siempre tenga mucho cuidado al remolcar con un tractor capaz de hacer giros cerrados (por ejemplo, tractor de giro cerrado). Realice giros amplios para el acodillamiento.
6. Desplácese lentamente y deje distancia adicional para detenerse.

PRÁCTICAS DE OPERACIÓN SEGURAS

Servicio

1. Mantenga el tractor en buen estado de funcionamiento. No use el tractor hasta que se reemplacen las piezas desgastadas o dañadas.
2. Las cuchillas del tractor son filosas. Envuelva la cuchilla o utilice guantes y extreme las precauciones cuando les haga mantenimiento.
3. Quite la llave y guarde el tractor bajo techo cuando no lo use. Deje que el tractor se enfríe por lo menos cinco minutos antes de cargarlo o guardarlo.
4. Antes de limpiar, reparar o inspeccionar, compruebe que la(s) cuchilla(s) y todas las piezas móviles se hayan detenido. Apague el tractor y quite la llave.
5. Controle que las cuchillas se detengan completamente en no más de cinco (5) segundos después de desactivar el control de desactivación de las cuchillas según el intervalo que figura en el Cronograma de Mantenimiento. Mida el tiempo hasta la detención con un cronómetro. Si las cuchillas no se detienen completamente en menos de cinco segundos, su tractor debe ser reparado por un profesional en un distribuidor de servicio autorizado.
6. Controle el sistema de interbloqueo de seguridad, según el intervalo del Cronograma de Mantenimiento para un funcionamiento correcto, tal como se describe más adelante en este manual. Si el sistema de interbloqueo de seguridad no funciona correctamente, lleve su tractor para que le realicen un servicio profesional en un distribuidor autorizado.
7. Nunca altere el sistema de interbloqueo de seguridad u otros dispositivos de seguridad. Compruebe regularmente que estos elementos funcionen correctamente.
8. Controle el ajuste del perno de montaje de las cuchillas de acuerdo con el Cronograma de Mantenimiento que figura en este manual. Además, inspeccione visualmente las cuchillas para detectar la presencia de daños (por ejemplo: desgaste excesivo, abolladuras, rajaduras). Reemplace las cuchillas por cuchillas del fabricante del equipo original (O.E.M.) únicamente.
9. El uso de piezas que no cumplen con las especificaciones del equipo original puede resultar en rendimiento inadecuado y poner en peligro la seguridad.
10. Mantenga todos los pernos, tuercas y tornillos bien ajustados para asegurarse que la máquina se encuentra en condiciones seguras de operación. Revise la tabla del Cronograma de Mantenimiento que figura en este manual para obtener información sobre el intervalo de servicio.
11. Después de golpear un objeto extraño, detenga el tractor, presione el botón de Encendido/Detención, coloque la llave en la posición OFF y quítela. Revise el tractor cuidadosamente para detectar daños. Repare los daños antes de ponerlo en funcionamiento.
12. Para reducir la posibilidad de incendio, quite del motor cualquier acumulación de césped, hojas y otros desechos. Siga las instrucciones para el cuidado del tractor posterior al funcionamiento que figuran en la sección Servicio y Mantenimiento.
13. Controle el funcionamiento del freno con frecuencia, ya que está sujeto a desgaste durante el funcionamiento normal. Realice el ajustes y servicio que sean necesarios
14. Nunca intente realizar ajustes o reparaciones al tractor sin antes retirar la llave.
15. Mantenga o reemplace las etiquetas de seguridad e instrucciones según sea necesario.

Seguridad Eléctrica en General

1. No exponga el tractor a la lluvia o a condiciones húmedas.
2. No realice ningún servicio al tractor ni manipule componentes eléctricos con las manos húmedas.
3. No utilice el tractor bajo la lluvia, en condiciones húmedas ni en superficies mojadas.
4. Para reducir el riesgo de descarga eléctrica, evite el contacto del cuerpo con elementos conductores con puesta a tierra, por ejemplo, caños metálicos o cercos de alambre.
5. No utilice el tractor en atmósferas explosivas, por ejemplo, en presencia de líquidos, gases o polvo inflamables.

6. Para protegerse del riesgo de lesiones o descargas eléctricas, no reemplace fusibles que hayan saltado. Su tractor debe ser revisado por un profesional en un distribuidor autorizado.
7. Nunca empape o moje su motor con una manguera. Evite el ingreso de líquidos en el motor y las conexiones eléctricas. Limpie el tractor después de cada uso. Consulte la sección Limpieza y Almacenamiento. No utilice solventes o detergentes fuertes.

Seguridad del Cargador de Baterías

⚠ ADVERTENCIA

Únicamente utilice un cargador de batería del OEM (pieza N° 725-07253A) para cargar las baterías de este tractor. No intente cargar otras baterías con el cargador de baterías específico de este tractor. Otros tipos de baterías podrían explotar, causar incendios, lesiones personales o daños materiales.

1. Recargue las baterías únicamente con el cargador especificado por el fabricante. Un cargador que resulta adecuado para un solo tipo de batería podría causar riesgo de incendio si se lo usa con otra batería.
2. No utilice el cargador bajo la lluvia, en lugares húmedos o en presencia de líquidos o gases inflamables.
3. El cargador tiene una placa de identificación que indica el voltaje utilizado. Nunca conecte el cargador a un voltaje de CA que difiera de este voltaje.
4. No utilice un cable prolongador salvo que sea absolutamente necesario. El uso de un cable prolongador inadecuado puede generar riesgo de incendio, descarga eléctrica o electrocución.
5. No utilice cables prolongadores múltiples.
6. Asegúrese de que el cable prolongador sea suficientemente grueso como para transportar la corriente que toma el cargador. Si el cable prolongador es de calibre inferior al requerido se producirá una caída del voltaje de línea y esto dará lugar a pérdida de potencia y sobrecalentamiento. Si está en duda, utilice cable del calibre más grueso siguiente. A menor número de calibre, mayor grosor de cable.

TAMAÑO MÍNIMO DEL CABLE PARA CABLES PROLONGADORES DE ARTEFACTOS DE 120 VOLTIOS QUE USAN 0-6 AMPERIOS

Longitud del cable (pies)	25	50	100	150
Calibre (AWG)	16	16	16	14

7. Asegúrese de que los cables estén en buenas condiciones. Revise el cable de alimentación del cargador de la batería y el cable prolongador periódicamente. Observe detenidamente para ver si hay deterioro, cortes o grietas en el aislamiento. Si cualquiera de los cables se daña de algún modo cuando está enchufado, desconecte el cable del tomacorriente y del cargador. No utilice un cable dañado. Los cables dañados se deben reparar o cambiar.
8. No use los cables en forma inadecuada. Nunca arrastre ni lleve el cargador tirando del cable. Mantenga los cables lejos de fuentes de calor, aceite, agua, bordes filosos y objetos en movimiento. Para desconectar un cable, agarre siempre el enchufe.
9. No modifique nunca un enchufe, un cable ni un tomacorriente de ninguna manera.
10. En el(los) circuito(s) o tomacorriente(s) que se usarán con este cargador siempre se debe suministrar protección con un Interruptor de Circuito por Falla a Tierra (GFCI). Para proporcionar una medida adicional de seguridad, utilice tomacorrientes con protección GFCI incorporada.
11. No coloque el cargador de baterías en lugares donde se puedan pisar los cables, tropezar con ellos o pudieran dañarse.
12. Guarde el cargador de baterías y los cables en un área fresca y seca.
13. Guarde el cargador de baterías y los cables lejos de cualquier líquido.
14. No permita que se introduzcan objetos metálicos pequeños ni materiales, por ejemplo, lana de acero, lámina de aluminio ni otras partículas extrañas en el puerto del cargador.

PRÁCTICAS DE OPERACIÓN SEGURAS

15. No pruebe el cargador con material conductor. Existe el riesgo de descarga eléctrica.
16. No cubra el cargador de baterías. El cargador de baterías se puede sobrecalentar.
17. No permita que la batería o el cargador de baterías se sobrecalienten. Si se calientan, deje que los mismos se enfíen. Cargue las baterías únicamente en temperaturas que se encuentren entre 32° y 104°F (0° y 40°C).

Seguridad de las Baterías

1. No exponga la batería al fuego o temperaturas superiores a 140° F (60° C). Ello podría provocar una explosión.
2. Manipule la batería con cuidado. No cortocircuite la batería con materiales conductores, por ejemplo, anillos, pulseras, llaves, etc. Si se cortocircuita la batería, pueden resultar lesiones personales, daños a la batería o un incendio.
3. No intente cargar una batería que esté fisurada o dañada.
4. No utilice ni cargue una batería que esté húmeda o que muestre indicios de corrosión.
5. No utilice una batería dañada o modificada. Ello podría provocar un incendio, explosión o lesiones personales.
6. No arroje la batería al fuego. El elemento de la batería puede explotar. Póngase en contacto con su distribuidor de servicio autorizado para el correcto reciclado de la batería.
7. Tenga cuidado al manipular baterías de modo de no cortocircuitarlas con materiales conductores como anillos, pulseras y llaves. La batería o elementos conductor podrían estar calientes y provocar quemaduras.

ADVERTENCIA

- **La batería puede generar riesgo de incendio o quemadura química si se la usa incorrectamente. No desarme, sobrecaliente ni incinere la batería.**
- **En condiciones de uso, carga o temperaturas extremas o si la batería está dañada, abollada o pinchada, podrían producirse fugas de la batería. Estas fugas indican que la batería está fallada y debe ser desechada correctamente por un distribuidor de servicio autorizado.**

Si la fuga de la batería entra en contacto con su piel o sus ojos siga los siguientes pasos:

- Lave la piel inmediatamente y enjuague los ojos con agua fría al menos por 20 minutos y busque atención médica de inmediato.
- El contenido de los elementos de las baterías abiertas podría causar irritación respiratoria. Proporcione aire fresco. Si el síntoma persiste, busque atención médica.
- Ventile el cuarto y sale el cuarto si hay humo o vapor presente. Humo y vapor en un área confinada presentare riesgos de la salud.

Si la fuga entra en contacto con su vestimenta o calzado, quítese los mismos, aísle y lave la vestimenta contaminada a fondo.

PRÁCTICAS DE OPERACIÓN SEGURAS

Símbolos de Seguridad

En esta página, se presentan y describen los símbolos de seguridad que pueden aparecer en este producto. Lea, comprenda y siga todas las instrucciones que figuran sobre el tractor antes de intentar armarlo y hacerlo funcionar.

Símbolo	Descripción
	LEA LOS MANUALES DEL OPERADOR Lea, entienda y siga todas las instrucciones incluidas en los manuales antes de intentar armar y hacer funcionar.
	ADVERTENCIA — OBJETOS LANZADOS Este tractor podría recoger y lanzar objetos que pueden causar lesiones personales graves. Manténgase alejado. Mantenga a observadores, ayudantes, niños y mascotas por lo menos a 75 pies del tractor mientras está en funcionamiento.
	ADVERTENCIA — OBSERVADORES Mantenga a observadores, ayudantes, niños y mascotas por lo menos a 75 pies del tractor mientras está en funcionamiento.
	PELIGRO — CUCHILLAS GIRATORIAS Nunca lleve pasajeros. Nunca transporte niños, ni siquiera con la(s) cuchilla(s) apagadas.
	ADVERTENCIA — CUCHILLAS GIRATORIAS No coloque las manos ni los pies cerca de piezas que giran ni debajo de la plataforma de corte. El contacto con la(s) cuchilla(s) puede amputar manos y pies. Asegúrese que las cuchillas y el motor estén apagados antes de colocar las manos o los pies cerca de las cuchillas.
	ADVERTENCIA — CUCHILLAS GIRATORIAS No coloque las manos ni los pies cerca de piezas que giran ni debajo de la plataforma de corte. El contacto con la(s) cuchilla(s) puede amputar manos y pies. Asegúrese que las cuchillas y el motor estén apagados antes de colocar las manos o los pies cerca de las cuchillas. Siempre retire la llave cuando no use la unidad.
	ADVERTENCIA - OPERACIÓN EN PENDIENTES Recorra las pendientes hacia arriba y hacia abajo, no de manera transversal. Tenga más precaución en las pendientes. No corte el césped ni se desplace sobre pendientes superiores a 15°/25%. Si el tractor se para mientras sube la pendiente, pare las cuchillas y retroceda lentamente.

Símbolo	Descripción
	PELIGRO — OPERACIÓN EN PENDIENTES No haga funcionar este tractor en lugares donde podría volcarse o resbalarse. Evite realizar giros abruptos. Vaya a baja velocidad.
	PELIGRO — CUCHILLAS GIRATORIAS -Siempre mire hacia abajo y hacia atrás antes y mientras se desplaza marcha atrás, para evitar un accidente. Para evitar accidentes, mantenga a los niños en interiores mientras está en funcionamiento. No se recomienda cortar el césped en marcha atrás.
	ADVERTENCIA — OBJETOS LANZADOS Este tractor podría recoger y lanzar objetos que pueden causar lesiones personales graves.
	PELIGRO — PROTECCIONES, ESCUDOS DE SEGURIDAD, INTERRUPTORES, ETC. Mantenga los dispositivos de seguridad (protecciones, escudos, interruptores, etc.) en su lugar y funcionando.
	ADVERTENCIA — DESCARGA ELÉCTRICA No cargue el tractor bajo la lluvia o en lugares húmedos. No haga funcionar el tractor bajo la lluvia.
	ADVERTENCIA — DESCARGA ELÉCTRICA No cargue el tractor bajo la lluvia o en lugares húmedos. No haga funcionar el tractor bajo la lluvia.
	PELIGRO — SERVICIO Muchos componentes de este tractor deben ser reparados únicamente por un distribuidor de servicio autorizado. Antes de intentar realizar un servicio a este tractor, lea el Manual del Operador.
	ADVERTENCIA — GUARDE EL TRACTOR BAJO TECHO Siempre cuando el tractor bajo techo cuando no esté en uso.

ADVERTENCIA

Su Responsabilidad—Limite el uso de este tractor a personas que lean, comprendan y respeten las advertencias e instrucciones que figuran en este manual y sobre el tractor.

¡GUARDE ESTAS INSTRUCCIONES!

INDICADOR DE PENDIENTE

Slope Gauge

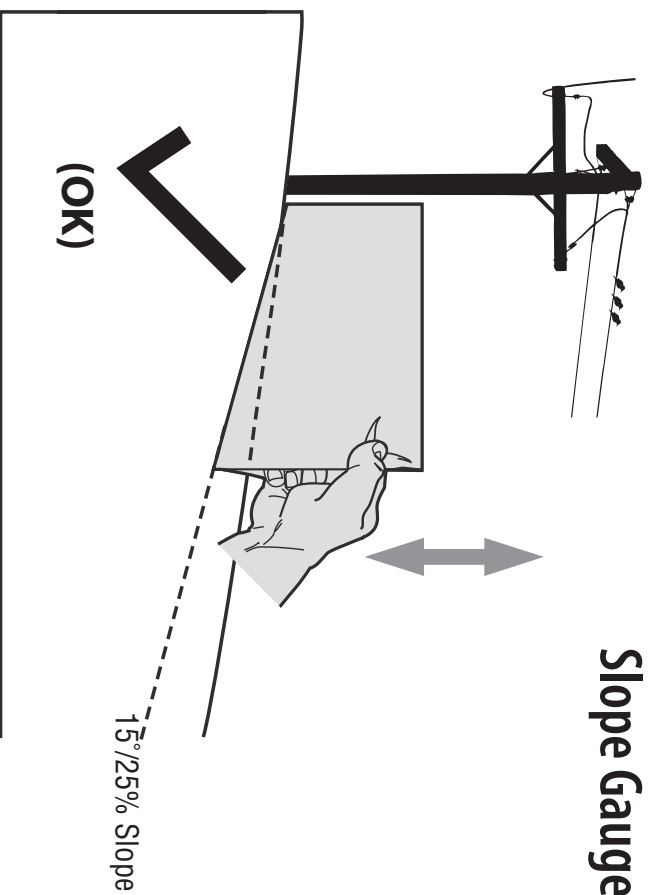


Figure 1

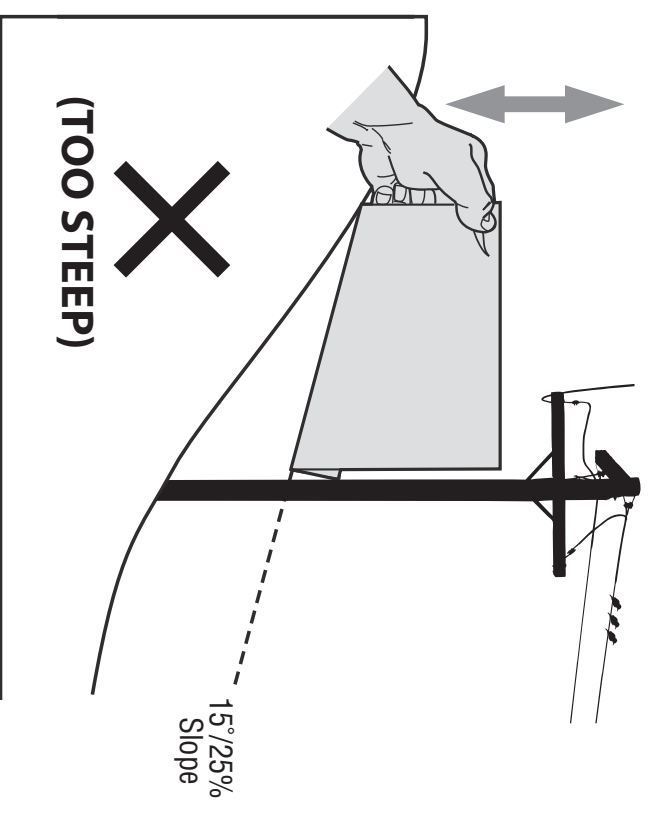


Figure 2

USE THIS SLOPE GAUGE TO DETERMINE IF A SLOPE IS TOO STEEP FOR SAFE OPERATION!

To check the slope, proceed as follows:

1. Remove this page and fold along the dashed line.
2. Locate a vertical object on or behind the slope (e.g. a pole, building, fence, tree, etc.)
3. Align either side of the slope gauge with the object (See Figure 1 and Figure 2).
4. Adjust gauge up or down until the left corner touches the slope (See Figure 1 and Figure 2).
5. If there is a gap below the gauge, the slope is too steep for safe operation (See Figure 2 above).

15°/25% dashed line

¡ADVERTENCIA! Las pendientes son un factor importante relacionado con accidentes por tumbos y vuelcos que pueden producir lesiones graves o la muerte.

No utilice la máquina en pendientes de más de 15 grados/25 por ciento. Todas las pendientes requieren precaución extra. Si no puede retroceder por la pendiente o si no se siente seguro, no realice ningún corte o no se desplace sobre ella. Siempre corte hacia arriba y hacia abajo de las pendientes, nunca de manera transversal.



MONTAJE

Nota: Todas las referencias que contiene este manual a los lados derecho o izquierdo y trasero o delantero del tractor son siempre desde la posición de operación. Las excepciones, si las hubiere, serán especificadas.

Nota: algunos componentes pueden venir previamente ensamblados. Si ya están ensamblados, continúe con el siguiente paso.

Preparativos

Antes de comenzar la instalación, extraiga todo el contenido del cajón y todos los elementos de ferretería del paquete para comprobar que no falte nada.

Contenido del cajón

- Tractor
- Cargador de batería
- Tapa de capó (si se incluye)
- Paragolpes frontal
- Cubierta del tablero (si se incluye)
- Volante
- Montaje del asiento
- Manual del Operador
- Paquete de elementos de ferretería

Herramientas recomendadas para el montaje

- Llave de 5/16" y/o de cubo
- Llave de 7/16" y/o de cubo
- Llave de 1/2" y/o de cubo
- Llave de 5/8" y/o de cubo
- Destornillador Phillips
- Destornillador estándar

Movimiento manual del tractor

⚠ PRECAUCIÓN

Nunca remolque su tractor. Si se remolca el tractor con las ruedas traseras apoyadas en el suelo se pueden causar daños graves a los motores de impulsión.

El tractor puede ser movido siempre que el freno de mano no esté activado. Se puede empujar el tractor lentamente.

Instale el asiento del operador (si es necesario) Para instalar el asiento, proceda de la siguiente manera:

Nota: El asiento es enviado con el interruptor de asiento y contenedor de asiento anexo.

1. Corte cualquier tira que sujete el conjunto del asiento al tractor. Quite cualquier material de empaque.

Nota: Tenga cuidado de no cortar accidentalmente el cableado que conecta el asiento al interruptor del asiento.

2. Quite los dos tornillos con reborde (a) y las tuercas de seguridad con brida (b) del contenedor del asiento tal como se muestra en la Figura 1.

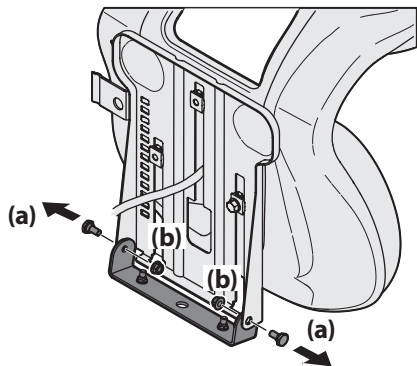


Figura 1

3. Gire el asiento en posición y deslice un destornillador Phillips por uno de los orificios de fijación del asiento y soporte del asiento para alinearlos.

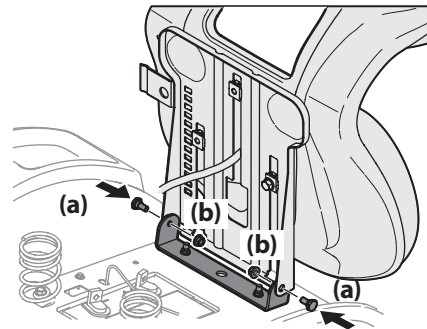


Figura 2

4. Luego, con los tornillos con reborde (a) y las tuercas de seguridad con brida (b) previamente quitados, asegure un lado del asiento y soporte del asiento. Mientras sostiene el asiento, quite el destornillador Phillips y asegure el otro lado del asiento. Tenga cuidado de no doblar o dañar el cableado mientras instala el asiento. Consulte la Figura 2. Ajuste hasta 84-103 pulgadas-libras (9.5-11.6 N-m).

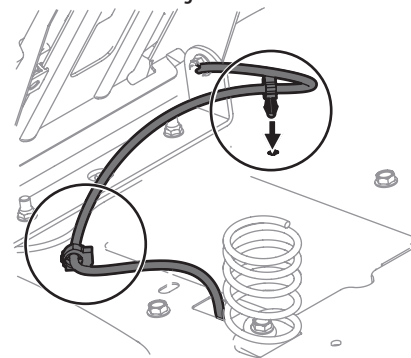


Figura 3

5. Usando la traba del arnés unida al arnés, asegure el exceso de cable al guardabarros colocando las trabas del arnés en su lugar como se muestra en la Figura 3.

Baje el deflector del canal de descarga de la plataforma

⚠ ADVERTENCIA

Nunca opere la plataforma del tractor sin el deflector del canal instalado y en posición baja.

1. Inspeccione la plataforma del tractor para ver si hay una traba de seguridad que pueda estar sujetando el deflector del canal hacia arriba para el envío. Si la traba está presente, se la debe extraer antes de hacer funcionar el tractor. Sosteniendo el deflector del canal totalmente hacia arriba, extraiga la traba de seguridad. Baje el deflector del canal y descarte la traba de seguridad. Consulte la Figura 4.

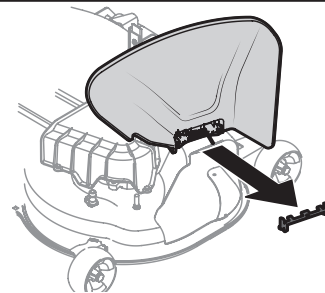


Figura 4

Instalación de la tapa del capó atornillada (si corresponde)

Nota: tenga cuidado de no dañar el arnés de faros delanteros cuando instale la tapa del capó atornillada.

1. Coloque la tapa del capó contra la parte superior del capó con el capó abierto, y alinee los orificios que están en el capó.
2. Asegure la tapa del capó atornillada (a) desde abajo, ajuste a mano los tornillos (b) que están en la mitad trasera del capó y luego apriete los tornillos con firmeza. Consulte la Figura 5.

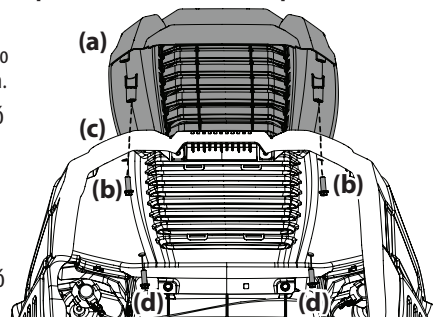


Figura 5

MONTAJE

- Con los tornillos traseros en su lugar, alinee los orificios de la tapa del capó (a) con los orificios del capó (c) y fije en su lugar con los restantes dos tornillos (d). Consulte la Figura 5.
- Ajuste los cuatro tornillos hasta 16–24 pulgadas-libras (1.8–2.7 N-m).

Instalación de la tapa del capó a presión (si corresponde)

- Para instalar la tapa del capó a presión (a), alinee los orificios de la tapa del capó (a) con las lengüetas (b) del cuerpo del capó como se muestra en la Figura 6.
- Inserte las lengüetas (b) en la tapa del capó y tire hacia atrás para trabar en su lugar.
- Una vez que la tapa del capó está en su lugar, las dos lengüetas de traba que están cerca del capó deben ser tiradas hacia arriba para trabar la tapa del capó en su lugar. Consulte la Figura 7.

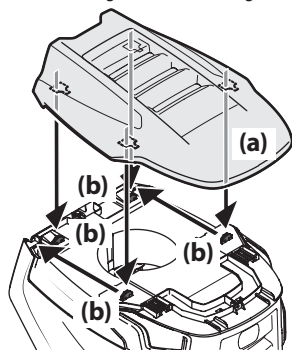
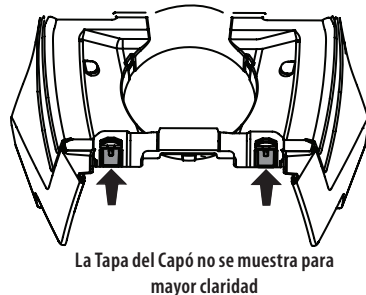


Figura 6



La Tapa del Capó no se muestra para mayor claridad

Figura 7

Instalación de la cubierta del tablero (si corresponde)

- Para instalar la cubierta del tablero (a), alinee las lengüetas (b) de la cubierta del tablero (c) con los orificios de la parte superior del tablero como se muestra en la Figura 8.
- Coloque las lengüetas (b) en los orificios de la parte superior del tablero y empuje hacia adelante (c) la cubierta del tablero (a) para trabarla en su lugar.

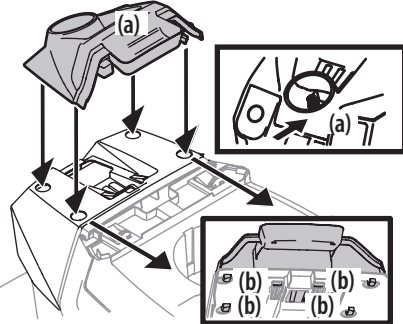


Figura 8

Nota: asegúrese de oprimir sobre la parte inferior de la tapa del tablero (a) frente a la posición del operador para asegurar que las lengüetas inferiores de la tapa del tablero están en su lugar.

Instalación del volante (si corresponde)

Los elementos de ferretería utilizados para instalar el volante han sido empaquetados dentro del volante, por debajo de la tapa del volante. Levante la tapa del volante con cuidado y quite los elementos de ferretería.

- Con las ruedas del tractor apuntando recto hacia adelante, alinee el volante (a) usando la línea central (b) de la parte delantera del volante (a) que apunta hacia adelante y la sección plana (c) del volante (a) orientada hacia el asiento, coloque el volante (a) sobre el árbol de la dirección (d). Consulte la Figura 9.

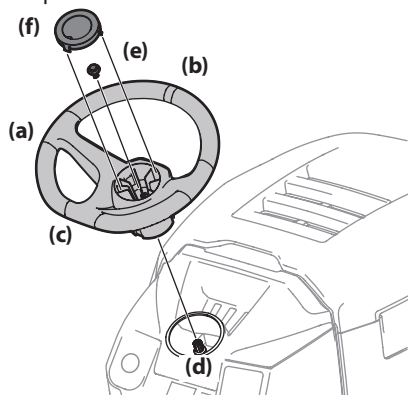


Figura 9

- Asegure el volante (a) con el perno hexagonal (e) que está debajo de la tapa del volante (f) y ajuste hasta 18–22 pies-libras (24.4–29.8 N-m).
- Coloque la tapa del volante (f) sobre el centro del volante (a) y empuje hacia abajo hasta que haga clic al calzar en su lugar.

Nota: el perno hexagonal (e) que asegura el volante (a) tiene sellador de rosca; de modo que si se lo extrae, se recomienda reemplazar el perno hexagonal (a) o volver a aplicarle sellador de rosca.

Instalación del paragolpes delantero (si corresponde)

Los elementos de ferretería para fijar el paragolpes delantero se despachan instalados en el paragolpes.

- Saque los cuatro tornillos hexagonales (a) del paragolpes (b).
- Coloque los soportes del paragolpes hacia el interior del bastidor del tractor y fíjelos en su lugar con los cuatro tornillos hexagonales (a). Ajuste hasta 332–405 pulgadas-libras (37.5–45.75 N-m). Consulte la Figura 10.

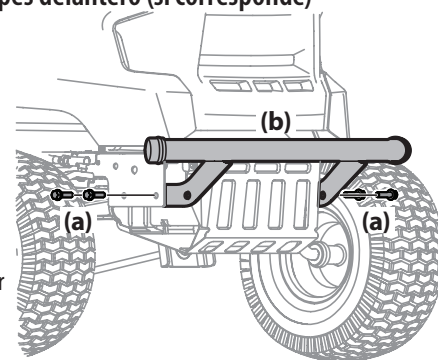


Figura 10

Ajuste del asiento

Para ajustar la posición del asiento:

- Levante la palanca de ajuste del asiento.
- Deslice el asiento hacia adelante o atrás hasta la posición deseada.
- Suelte la palanca de ajuste. Asegúrese de que el asiento esté fijo en su posición antes de operar el tractor. Consulte la Figura 11.

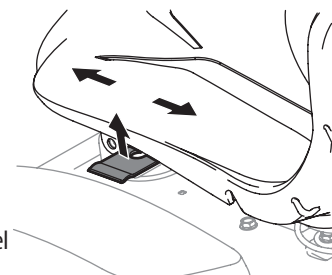


Figura 11

⚠ ADVERTENCIA

Antes de hacer funcionar el tractor, compruebe que el asiento esté enganchado en el tope del asiento. Aplique el freno de mano. Párese detrás del tractor y tire del asiento hacia atrás hasta que encaje en su lugar haciendo clic.

Control de la presión de los neumáticos

Consulte los laterales de los neumáticos para averiguar la presión de inflado adecuada. La presión de inflado adecuada debe mantenerse en todo momento.

Nota: Es posible que los neumáticos del tractor hayan sido inflados en exceso para despacharlo. Si fuera necesario, reduzca la presión de los neumáticos antes de hacer funcionar el tractor.

Ajuste de las ruedas de la plataforma (Si está equipado)

Nota: Las ruedas de la plataforma constituyen un mecanismo para el cuidado del césped y no fueron diseñadas para soportar el peso de la plataforma de corte.

Mueva el tractor a una superficie firme y nivelada, preferentemente sobre el pavimento, y realice lo siguiente:

- Compruebe la presión de los neumáticos, y asegúrese de que la presión sea la correcta como se indica en los laterales de los neumáticos.
- Asegúrese de que la plataforma esté nivelada, de atrás hacia adelante y de lado a lado. Consulte información e instrucciones sobre nivelado de la cubierta en la sección Servicio y Mantenimiento.

MONTAJE

3. Seleccione la posición de altura de la plataforma de corte colocando la palanca de elevación de la plataforma en la altura de corte normalmente deseada.
4. Controle si las ruedas están en contacto con la superficie de abajo o si hay una separación excesiva. Las ruedas de la plataforma deben tener entre $\frac{1}{4}$ " y $\frac{1}{2}$ " (6.4–12.7 mm) de separación del suelo. Proceda como se indica a continuación para ajustar las ruedas:

- a. Levante el tirador de elevación de la plataforma hasta el punto más alto.
- b. Retire las ruedas delanteras (a) y traseras (b) de la plataforma retirando las tuercas de seguridad con brida (c) y los tornillos con reborde (d) que los sujetan a la plataforma. Consulte la Figura 12.
- c. Coloque la palanca de elevación de la plataforma en el ajuste de altura de corte deseado.
- d. Vuelva a insertar los tornillos con reborde (con cada rueda de la plataforma) dentro del orificio de posicionamiento que deja aproximadamente $\frac{1}{2}$ pulgada (12.7 mm) entre la parte inferior de la rueda y el pavimento. Ajuste la tuerca de seguridad con brida y el tornillo con reborde hasta 25–30 pies-libras (33.9–40.7 N·m).

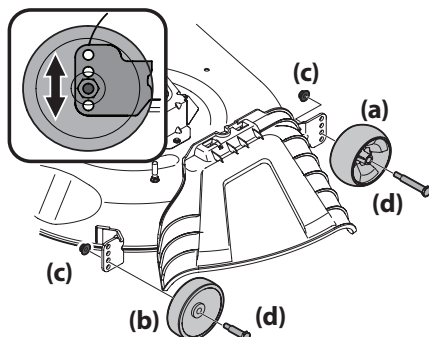


Figura 12

Nota: consulte **Ajuste de la Plataforma** en la sección Servicio y Mantenimiento de este manual para obtener instrucciones más detalladas sobre diferentes ajustes de la plataforma.

Carga de la batería

⚠ ADVERTENCIA

- **Proposición 65 de California: Cáncer y daños reproductivos – www.P65Warnings.ca.gov.**
- **La batería contiene fluido corrosivo y material tóxico; TENGA MUCHO CUIDADO. Mantener fuera del alcance de los niños. No perforo, desensamble, mutile o prenda fuego. Durante la carga o descarga se podrían emitir gases explosivos. Carguela en un área bien ventilada, lejos de fuentes de combustión.**
- **Recárguela únicamente con el cargador que se incluye con este tractor. Un cargador no apto para este tractor podría dañar las baterías o provocar riesgo de incendio.**
- **No cargue ni haga funcionar el tractor bajo la lluvia o en condiciones húmedas.**

Consulte más información e instrucciones sobre cómo cargar la batería en el manual que se incluye con su cargador de batería. El puerto de carga del tractor se ubica en el lado izquierdo del tablero.

Para cargar la batería:

1. Levante la tapa del puerto de carga (a). Consulte la Figura 13.
2. Inserte el cable de carga (b) en el puerto de carga (c). Consulte la Figura 13.
3. Enchufe el cable de alimentación del cargador en el tomacorriente de pared.

Nota: lleva aproximadamente 4 horas cargar por completo la batería.

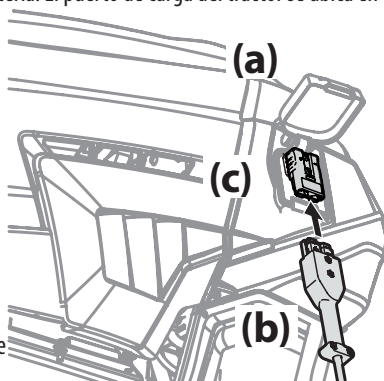


Figura 13

Nota: Las luces LED del Módulo de Control del Vehículo (VCM) parpadeará ininterrumpidamente cuando la batería se esté cargando y la pantalla de LCD mostrará el porcentaje de carga. La batería estará completamente cargada cuando todas las luces verdes estén iluminadas y la pantalla LCD muestre 100%.

Nota: cuando el cable de carga se enchufa en el tractor y todavía no está enchufado en la pared, las luces LED estarán continuamente iluminadas hasta que el cable se enchufe en la pared.

Si en algún momento su cargador indica una falla mientras está cargando su batería, siga estos procedimientos:

1. Gire la llave a la posición de apagado.
2. Desenchufe el cable de carga del tractor.
3. Desconecte el cable del cargador de la fuente de alimentación.
4. Vuelva a conectar el cable del cargador a la fuente de alimentación.
5. Vuelva a enchufar el cable de carga en el tractor.
6. Si la falla persiste, contáctese con personal de servicio calificado.

Nota: las baterías recargables se degradan con el tiempo y el uso. Es posible que en algún momento deba reemplazar la batería. Para reemplazar la batería, contáctese con su distribuidor de servicio autorizado.

Nota: El uso de una batería vieja o defectuosa podría producir una falla del sistema, y esto puede resultar en una pérdida de alimentación.

Consejos para la carga de la batería

- La batería se debe cargar completamente antes del primer uso.
- La batería se debe cargar completamente después de cada uso. Guardar la batería descargada podría reducir el rendimiento.
- La batería se apagará automáticamente después de una carga completa.
- Lleva aproximadamente 4 horas cargar por completo la batería. Dejar la batería conectada al cargador por más de 4 horas no daña la batería.
- La batería no desarrolla memoria y no es necesario que esté totalmente descargada antes de recargarla.
- Siempre desconecte primero el cargador de la batería (o el cable de extensión, si se usa) del tomacorriente eléctrico, luego desconecte el cable de carga cargador desde el puerto de carga.
- Nunca cargue una batería congelada.
- Se recomienda cargar el tractor una vez cada al mes durante su almacenamiento fuera de temporada.

FUNCIONAMIENTO

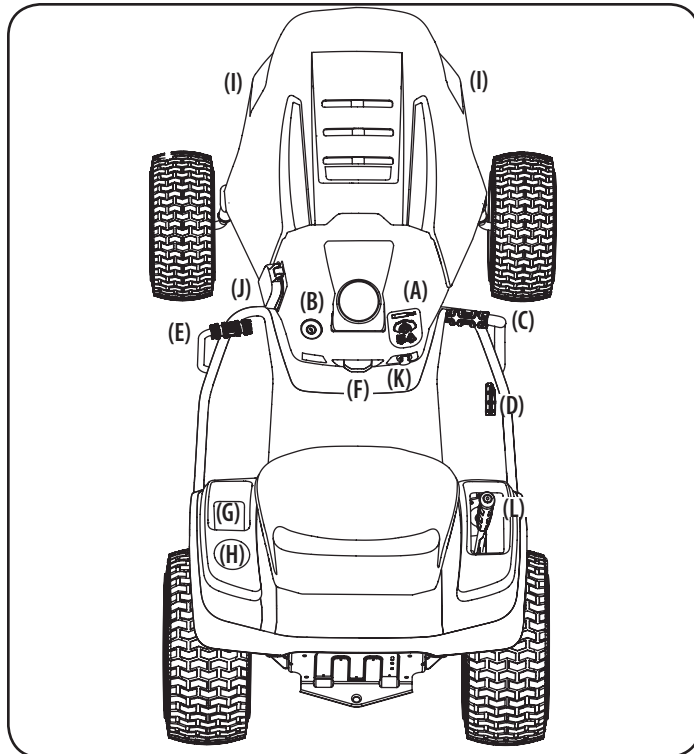


Figura 14

Nota: Las referencias a IZQUIERDA, DERECHA, ADELANTE Y ATRÁS indican esa posición desde el asiento del operador en el tractor, mirando hacia adelante.

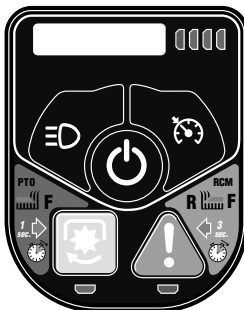
Módulo de Control del Vehículo (VCM) (A)

⚠ ADVERTENCIA

Nunca deje un tractor en funcionamiento sin vigilancia. Siempre desconecte la toma de fuerza (PTO), ponga el freno de mano, pare el motor y retire la llave, para evitar que el motor arranque accidentalmente.

El Módulo de Control del Vehículo (VCM) está del lado derecho del tablero.

El VCM es donde están diversos botones de control para su tractor. El VCM incluye el botón ENCENDIDO/DETENCIÓN, el botón PTO (ENCENDIDO/APAGADO de cuchillas), el botón Modo Precaución Marcha Atrás (RCM), el botón Faros Delanteros, el botón Control de Velocidad Crucero, la Pantalla LCD y el Indicador de Nivel de Batería.



⚠ PRECAUCIÓN

Antes de operar el tractor, consulte los títulos Interruptores de Interbloqueo de Seguridad y Arranque del Tractor en la sección Funcionamiento de este manual para ver instrucciones detalladas sobre el VCM y funcionamiento del tractor en el MODO PRECAUCIÓN MARCHA ATRÁS.

Botón de Encendido/Detención



Ubicado en el VCM, el botón de encendido/detención se usa para encender y detener el tractor.

Botón PTO (ENCENDIDO/APAGADO de cuchillas)



Ubicado en el VCM, el botón PTO usa para hacer funcionar las cuchillas. Para activar la plataforma de corte (cuchillas ON), presione el botón PTO por un segundo. La luz indicadora verde que está debajo del botón PTO se encenderá y la Pantalla LCD mostrará "PLATAFORMA DE CORTE ENCENDIDA" durante dos (2) segundos, luego volverá al medidor horario. Volviendo a presionar el botón PTO la plataforma de corte se desactivará (cuchillas OFF). La luz indicadora verde que está debajo del botón PTO se apagará.

Botón de Modo Precaución Marcha Atrás (RCM)



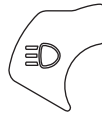
Ubicado en el VCM, el botón RCM permite al tractor desplazarse marcha atrás con la o las cuchillas activadas (ON). Para activar el RCM, presione el botón RCM por tres segundos. Cuando está activado, la luz indicadora roja se ilumina. Para desactivar el RCM, vuelva a presionar el botón RCM. Cuando el RCM no está activado, la luz indicadora roja no se ilumina. Consulte Botón de Modo Precaución Marcha Atrás (RCM) para ver más información sobre el funcionamiento del tractor en el modo precaución marcha atrás.

Nota: No se recomienda cortar el césped en marcha atrás.

⚠ ADVERTENCIA

Tenga mucho cuidado cuando opere el tractor en MODO PRECAUCIÓN MARCHA ATRÁS. Mire siempre hacia abajo y detrás de usted antes y durante la marcha atrás. No haga funcionar el tractor cuando haya niños u otras personas cerca. Detenga el tractor inmediatamente si alguien se acerca.

Botón de Faros Delanteros



Ubicado en el VCM, el botón de faros delanteros se utiliza para encender o apagar los faros delanteros.

Botón de Control de Velocidad Crucero



Ubicado en el VCM, si presiona el botón de control de velocidad crucero mientras el tractor está en movimiento ello hace que el tractor siga a una velocidad absoluta constante sin presionar el pedal de marcha adelante, y la pantalla LCD mostrará "CRUCERO ENCENDIDO" cuando el control de velocidad crucero esté activado. El control de velocidad crucero puede desactivarse presionando ya sea el botón de control de velocidad crucero, el pedal de freno o el pedal de marcha adelante. Consulte la sección Funcionamiento de este manual para ver instrucciones detalladas sobre la función control de velocidad crucero.

Nota: El control de velocidad crucero no se activará a la velocidad absoluta más rápida del tractor. Si el operador intentara hacerlo, el tractor se desacelerará automáticamente y se pondrá en la velocidad absoluta de corte óptima más rápida.

Nota: El control de velocidad crucero no se accionará durante la conducción marcha atrás.

Pantalla LCD e Indicador de Nivel de la Batería

HOURS XXXX.X

Ubicados en el VCM, la pantalla LCD y el indicador de nivel de la batería se usan para enviar instrucciones, advertencias e información sobre los sistemas de su tractor y el nivel de batería de su tractor.

Interruptor de Llave (B)



El interruptor de llave está ubicado del lado izquierdo del tablero y enciende el VCM cuando la llave está en la posición ON (I). El tractor únicamente se encenderá si la llave está en la posición ON (I) y el botón ENCENDIDO/APAGADO está presionado. Si gira la llave a la posición OFF (O) el tractor se apagará.



Nota: antes de encender su tractor, debe quitar la etiqueta de seguridad que está sobre el interruptor de llave. Esta etiqueta es para evitar el encendido accidental cuando el tractor está exhibido. Quite la etiqueta para acceder al interruptor de llave.

FUNCIONAMIENTO

Pedal de Marcha Adelante (C)

El pedal de marcha adelante está ubicado del lado derecho del tractor, sobre el estribo. Presione el pedal de marcha adelante hacia adelante para que el tractor se mueva en esa dirección. La velocidad absoluta también se controla con el pedal de marcha adelante. Cuanto más se presione el pedal, más rápido se moverá el tractor. El pedal volverá a su posición original/neutral cuando no esté presionado.

Pedal de Marcha Atrás (D)

El pedal de marcha atrás está ubicado del lado derecho del tractor, sobre el estribo. La velocidad absoluta también se controla con el pedal de marcha atrás. Cuanto más se presione el pedal, más rápido se moverá el tractor. El pedal volverá a su posición original/neutral cuando no esté presionado.

Pedal de Freno (E)

El pedal de freno está ubicado del lado izquierdo del tractor, sobre el estribo. El pedal de freno se puede usar para detener el tractor o para colocar el freno de mano.

Nota: el pedal de freno debe estar totalmente presionado para encender el motor. Consulte más información en Interruptores de Interbloqueo de Seguridad.

Palanca de Freno de Mano (F)



La palanca de freno de mano, ubicada en el centro del tablero de control del tractor (P), debajo del volante, se utiliza para activar el freno de mano. Consulte la sección Aplicación del Freno de Mano de este manual para ver instrucciones detalladas sobre el freno de mano.

Bandeja de Almacenamiento (G)

La bandeja de almacenamiento está ubicada a la izquierda del asiento del operador.

Portavasos (H)

El portavasos está ubicado a la izquierda del asiento del operador.

Faro Delantero (I)

Los faros delanteros se encenderán cada vez que la llave esté en la posición ON y el botón de faros delanteros esté presionado. Para apagar los faros delanteros, vuelva a presionar el botón de faros delanteros.

Puerto de Carga (J)

El puerto de carga se ubica en el lado izquierdo del tablero. Para acceder al puerto de carga, levante la tapa del puerto de carga.

Puertos de Carga USB (si se incluyen) (K)



Si vinieran incluidas, habrá un par de fuentes de alimentación USB ubicadas en el lado derecho del tablero. Los dos puertos USB tienen 2.1 A. Los puertos se pueden usar para cargar su teléfono u otros dispositivos USB.

⚠ ADVERTENCIA

Cuando esté encendiendo el motor no tenga ningún dispositivo enchufado en el puerto de carga USB. Ello podría dañar su dispositivo.

Palanca de Elevación de la Plataforma (L)



La palanca de elevación de la plataforma se encuentra en el guardabarros derecho y se utiliza para levantar y bajar la plataforma. Tire de la palanca hacia la izquierda para sacarla de la muesca de posicionamiento y empuje hacia abajo para bajar la plataforma o hacia arriba para levantarla. Cuando alcance la altura deseada, mueva la palanca hacia la derecha hasta que encaje totalmente en la muesca de posicionamiento.

Palanca de Ajuste del Asiento (no se muestra)

La palanca de ajuste del asiento está ubicada debajo del asiento, a la izquierda. Esta palanca permite mover el asiento hacia adelante o atrás. Consulte la sección Montaje para ver instrucciones sobre cómo ajustar la posición del asiento.

Funcionamiento

Sistema de Interbloqueo de Seguridad

Este tractor está equipado con un sistema de bloqueo de seguridad para protección del operador. Si el sistema de interbloqueo funciona mal, no se debe hacer funcionar el tractor. Comuníquese con un distribuidor de servicio autorizado.

- El sistema de interbloqueo de seguridad evita que el operador encienda el tractor a menos que el operador esté en su asiento con el freno de mano activado o el pedal de freno totalmente presionado y el pedal de marcha en la posición neutral.
- El tractor no se pondrá en funcionamiento si el cable del cargador está enchufado en el puerto de carga y/o si la tapa del puerto de carga está abierta o quitada.
- Si el operador abandona el asiento, el tractor desconectará automáticamente las cuchillas y los motores de impulsión.

Nota: Para volver a encender el tractor, siga los procedimientos de encendido que se encuentran en la sección Encendido del Tractor.

⚠ ADVERTENCIA

No opere el tractor si el sistema de interbloqueo de seguridad funciona mal. Este sistema fue diseñado para brindarle seguridad y protección.

Aplicación del Freno de Mano

Para aplicar el freno de mano:

1. Presione totalmente el pedal de freno y manténgalo hacia abajo con el pie.
2. Presione la palanca de freno de mano.
3. Suelte el pedal de freno para permitir que el freno de mano quede puesto.

Para sacar el freno de mano:

1. Presione el pedal de freno y el freno de mano se soltará.

Fijación de la Altura de Corte

Seleccione la altura de corte de la plataforma de corte colocando la palanca de elevación de la plataforma en cualquiera de las doce (12) muescas de altura de corte, en el lado derecho del guardabarros trasero. Para usar la plataforma de elevación de la plataforma, mueva la palanca hacia la izquierda, luego colóquela en la muesca más conveniente para su aplicación.

⚠ ADVERTENCIA

Mantenga las manos y los pies alejados de la abertura de descarga de la plataforma de corte.

Encendido del Tractor

1. Desenchufe el cable de carga (si fuera necesario). Si el cable sigue enchufado, aparecerá un recordatorio en la pantalla del VCM cuando se encienda el interruptor de llave.
2. Siéntese en el asiento del operador. Inserte la llave de encendido en el interruptor de llave.
3. Presione totalmente el pedal de freno o aplique el freno de mano.

Nota: Si el freno no está aplicado al mover el interruptor de llave a la posición de encendido, aparecerá un recordatorio en el VCM.

UNPLUG CORD

SIT IN SEAT

PRESS BRAKE

FUNCIONAMIENTO

4. Gire la llave de encendido en el sentido de las agujas del reloj hasta la posición ON (I).
5. Presione el botón de encendido/detención hasta que escuche dos bips.

Nota: El VCM y los motores de impulsión ya están activados y el tractor está listo para empezar a funcionar.

Detención del Tractor

⚠ ADVERTENCIA

Si golpe algún objeto extraño, detenga el tractor, gire la llave a la posición de apagado y quítelo. Revise el tractor cuidadosamente para detectar daños. Repare el daño antes de volver a arrancar y hacer funcionar el tractor.

1. Si la plataforma de corte está activada (cuchillas ON), presione el botón PTO para desactivar las cuchillas (cuchillas OFF) y aplicar el freno de mano.
2. Presione el botón de encendido/detención (escuchará un solo bip) o gire la llave en sentido contrario a las agujas del reloj hasta la posición OFF (O).
3. Quite la llave para impedir el uso no autorizado por parte de niños u otras personas.

Conducción del Tractor

⚠ ADVERTENCIA

- Evite los arranques súbitos, los excesos de velocidad y las detenciones intempestivas.
- No abandone el asiento del tractor sin antes presionar el botón PTO para apagar la o las cuchillas y activar el freno de mano. Si deja el tractor sin vigilancia, gire la llave hasta la posición OFF y retírela.
- Siempre mire hacia abajo y hacia atrás antes y mientras se desplaza marcha atrás, para evitar un accidente.

1. Desenganche el freno de mano.
2. Para conducir hacia ADELANTE, presione lentamente el pedal de marcha adelante.
3. Para conducir MARCHA ATRÁS, aplique lentamente el pedal de marcha atrás hasta alcanzar la velocidad deseada.
4. El tractor se detiene soltando el pedal de marcha adelante o atrás y luego presionando el pedal de freno.

⚠ ADVERTENCIA

Antes de abandonar la posición del operador por cualquier motivo, desconecte las cuchillas, accione el freno de mano, gire el interruptor de llave hasta la posición OFF y extraiga la llave de encendido.

Modo Precaución Marcha Atrás (RCM)

El botón MODO PRECAUCIÓN MARCHA ATRÁS permite operar el tractor marcha atrás con las cuchillas (PTO) activadas.

Nota: No se recomienda cortar el césped en marcha atrás.

⚠ ADVERTENCIA

Tenga mucho cuidado cuando opere el tractor en MODO PRECAUCIÓN MARCHA ATRÁS. Mire siempre hacia abajo y detrás de usted antes y durante la marcha atrás. No haga funcionar el tractor cuando haya niños u otras personas cerca. Detenga el tractor inmediatamente si alguien se acerca.

Para utilizar el MODO PRECAUCIÓN MARCHA ATRÁS:

Nota: el operador DEBE estar sentado en el asiento del tractor.

1. Ponga en marcha el tractor como se indicó previamente.
2. Presione el botón RCM durante tres segundos hasta que se ilumine la luz indicadora roja. La luz indicadora roja seguirá encendida todo el tiempo que el MODO PRECAUCIÓN MARCHA ATRÁS esté activado.
3. Una vez activada (luz indicadora ON), se puede operar el tractor en marcha atrás con las cuchillas de corte (PTO) activadas.

4. Siempre mire hacia abajo y hacia atrás antes y mientras opera en marcha atrás, para asegurarse de que no haya niños u otras personas cerca. Después de retomar la marcha adelante, presione el botón RCM para volver a la operación de corte normal.

El MODO PRECAUCIÓN MARCHA ATRÁS permanecerá activado hasta que:

- a. Se vuelva a presionar el botón RCM para apagar el modo (la luz indicadora roja se apaga).
- b. El operador abandone el asiento.
- c. Se presione el botón ENCENDIDO/DETENCIÓN.

Funcionamiento de la Toma de Fuerza (PTO)

Para hacer funcionar la PTO (ENCENDIDO/APAGADO de cuchillas), proceda de la siguiente manera:

Presione el botón PTO durante un segundo. Al activarse, la luz indicadora roja que está debajo del botón PTO estará encendida (ENCENDIDO de cuchillas). Vuelva a presionar el botón PTO durante un segundo, y la luz indicadora verde se apagará (APAGADO de cuchillas).

Corte del Césped

⚠ ADVERTENCIA

- Para ayudar a evitar el contacto con las cuchillas o una lesión por algún objeto que sea arrojado, mantenga a personas, ayudantes, niños y mascotas alejados al menos 75 pies (23 metros) del tractor mientras está en funcionamiento. Mantenga a las personas, los niños y las mascotas en interiores durante el funcionamiento. Detenga el tractor si alguien entra en la zona.
- Planifique el patrón de corte, para evitar que la descarga de materiales se dirija hacia caminos, aceras, observadores, etc. Evite además descargar material contra una pared u obstrucción, ya que esto podría hacer rebotar el material descargado contra el operador.

La siguiente información será de utilidad cuando use la plataforma de corte con su tractor:

1. No corte ni conduzca a alta velocidad absoluta, especialmente si tiene instalado un kit de abono o un colector de césped.
2. Para obtener los mejores resultados, se recomienda que las primeras dos vueltas se corten en sentido de las agujas del reloj con la descarga mirando hacia el centro de su jardín. Después de las dos primeras vueltas, cambie la dirección para arrojar la descarga hacia afuera, para equilibrar el corte. Esto otorgará un mejor aspecto al césped.
3. No corte el césped demasiado corto. El césped corto es propicio para el crecimiento de malezas y se pone amarillo rápidamente cuando escasea la lluvia.
4. En terrenos difíciles, puede resultar necesario pasar por segunda vez el tractor cortacésped sobre el área ya cortada, para obtener un corte más prolífico.
5. NO intente cortar malezas o césped de una altura superior a 10" (25.4 cm). El tractor fue diseñado para cortar el césped, NO para podar malezas.

Recordatorios de Servicios de Rutina

Durante el funcionamiento, aparecerá un par de recordatorios de servicios a intervalos regulares para ayudarlo a mantener correctamente su tractor:

SHARPEN BLADES	Recordatorio de Afilar Cuchillas: aparece cada 10 horas de tiempo de funcionamiento de la PTO. Cuando aparece este mensaje, la cuchilla debe ser revisada y afilada o bien reemplazada si estuviera desgastada. Para consultar instrucciones, vea los títulos Afilado o Reemplazo de Cuchillas en la sección Servicio y Mantenimiento de este manual.
CHECK TIRE PRESSURE	Recordatorio de Controlar la Presión de los Neumáticos: aparece cada 5 horas. Cuando aparezca este mensaje, controle y ajuste la presión de los neumáticos según la presión indicada en los laterales de los neumáticos. Consulte el título Control de la Presión de los Neumáticos en la sección Montaje de este manual.

SERVICIO Y MANTENIMIENTO

⚠ ADVERTENCIA

Antes de inspeccionar, limpiar o reparar el tractor, apáguelo y retire la llave.

Siga el cronograma de mantenimiento que se presenta a continuación. En esta tabla sólo se describen pautas de servicio. Utilice la columna Registro de Servicio para hacer el seguimiento de las tareas de mantenimiento completadas. **Póngase en contacto con un distribuidor de servicio autorizado para programar un servicio.**

	Antes del uso	Después de las primeras cinco horas	Cada cinco horas	Cada 10 horas	Cada 25 horas	Cada 50 horas	Cada 100 horas	Antes del almacenamiento
Limpie la parte superior y la parte inferior de la plataforma	✓							✓
Verifique/limpie alrededor de los fusibles, el cableado y los arneses de cables	✓							✓
Verifique/limpie alrededor de la transmisión y eje	✓							✓
Limpie el tractor	✓							
Lubrique los ejes delanteros, llantas y ruedas de la plataforma						✓		✓
Lubrique los puntos de pivote de los pedales, freno de mano y varillaje de elevación				✓				✓
Verifique la presión de los neumáticos/infle de acuerdo con la especificación que figura en los laterales de las ruedas	✓		✓					
Verifique el nivel/inclinación de la plataforma/Ajuste según sea necesario						✓		✓
Revise las cuchillas/afile o reemplace según sea necesario	✓			✓				✓
Cargue la batería	✓							✓
Revise el sistema de interbloqueo de seguridad				✓				
Verifique el tiempo de detención de las cuchillas del tractor				✓				
Verifique el ajuste del perno de montaje de la cuchilla (ajuste hasta 450-600 pulgadas-libras (51.9–67.8 N-m))		✓					✓	✓
Compruebe que todos los elementos de ferretería estén en su lugar y asegurados				✓			✓	

IMPORTANTE: Lleve el cargador de la batería cuando vaya a su distribuidor autorizado para cualquier servicio programado.

⚠ PELIGRO

- Los componentes eléctricos de este tractor no pueden repararse. Por favor, contáctese con un distribuidor autorizado para cualquier necesidad de servicio o reparación.
- Haga reparar su tractor por personal calificado utilizando únicamente piezas idénticas. Esto protegerá la seguridad del tractor.

Cuidado del Tractor Posterior al Funcionamiento

Cada vez que se utilice el tractor, se deben implementar los siguientes procedimientos para extender su vida útil y garantizar condiciones de operación seguras.

⚠ PELIGRO

Si no se siguen estas recomendaciones, usted u otras personas podrían sufrir lesiones graves, o se podría dañar el tractor.

Limpieza de la Parte Inferior de la Plataforma

⚠ ADVERTENCIA

Para evitar lesiones graves, no use agua para limpiar el tractor, la batería o el cargador de la batería. No utilice detergentes fuertes. Los productos de limpieza para el hogar que contienen aceites aromáticos como pino y limón, y los disolventes como el queroseno, pueden dañar el plástico.

Debe limpiar la parte inferior de la plataforma del tractor después de cada uso ya que se acumulan recortes de césped, hojas, suciedad y otros desechos. Esta acumulación de recortes de césped, etc. no es aconsejable porque produce óxido y corrosión.

- Quite cualquier acumulación de césped, hojas y desechos que haya sobre o alrededor del motor y la parte inferior del tractor (NO USE AGUA). Limpie el tractor con un paño seco.

Importante: No utilice una lavadora a presión o manguera de jardín para limpiar su tractor. Pueden ocasionar daño a los componentes eléctricos, o al motor eléctrico. El uso de agua acortará la vida útil de la máquina y reducirá su capacidad de servicio.

Limpieza del tractor

⚠ ADVERTENCIA

Si el tractor ha estado en funcionamiento recientemente, el motor, las superficies metálicas circundantes estarán calientes y pueden causar quemaduras en la piel. Deje que el motor se enfríe durante al menos cinco minutos. Tenga precaución para evitar quemaduras.

SERVICIO Y MANTENIMIENTO

El tractor se debe limpiar después de cada uso y bajo ciertas condiciones; es decir, en condiciones secas y/o cuando se haga abono, puede ser necesario realizar limpiezas adicionales.

Una de las mejores maneras de mantener el funcionamiento eficiente de su tractor y reducir el riesgo de incendio es eliminar regularmente la acumulación de desechos del tractor. Siga las recomendaciones a continuación y contacte a su distribuidor autorizado si tiene alguna pregunta.

- Deje que el tractor se enfríe en un área abierta antes de limpiarlo.
- No utilice agua sobre ninguna parte del tractor. Ello podría dañar los componentes eléctricos del tractor. Podrá mantener el tractor limpio mediante el uso de aire comprimido y/o soplador de hojas o cepillo, esponja húmeda o trapo.
- Limpie alrededor de fusibles y arneses de cables.
- Limpie la parte superior de la plataforma del tractor. Consulte la Figura 15.
- Limpie alrededor y cerca de la transmisión y del eje. Consulte la Figura 16.
- Se pueden acumular residuos en cualquier parte del tractor, especialmente sobre superficies horizontales. Podría ser necesario realizar una limpieza adicional cuando corte césped en condiciones secas o cuando haga abono.
- Una lubricación excesiva podría propiciar la acumulación de desechos. La reparación inmediata y la eliminación de lubricación excesiva pueden ayudar a reducir los riesgos de incendio.
- Además de limpiar el tractor antes de utilizarlo y antes de guardarlo, no intente cortar césped demasiado crecido (de 10" (25.4 cm) o más de altura), seco (como un pastizal) o pilas de hojas secas. El césped o las hojas que están secos podrían acumularse sobre la plataforma del tractor presentando un potencial peligro de incendio.

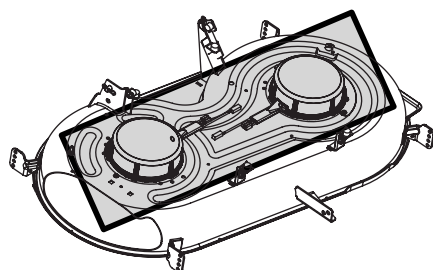


Figura 15



Figura 16

Lubricación

⚠ PELIGRO

Los desperfectos de cojinetes y el sobrecalentamiento podrían provocar un incendio. Siempre siga las instrucciones de este manual en cuanto a dónde lubricar y su frecuencia. Contáctese con su distribuidor autorizado si tiene alguna pregunta sobre dónde y cada cuánto tiempo lubricar o acerca de ruidos inusuales procedentes de lugares donde podría haber un cojinete.

⚠ ADVERTENCIA

Antes de lubricar, reparar o inspeccionar, siempre desconecte la PTO, aplique el freno de mano, coloque la llave en posición OFF y quítela para evitar cualquier encendido accidental.

Ruedas Traseras

Cada uno de los ejes y llantas de las ruedas delanteras viene equipado con un accesorio de engrase. Consulte la Figura 17 para ver la ubicación del accesorio de engrase en los ejes y la Figura 18 para ver la ubicación del accesorio de engrase en las llantas. Lubrique con una grasa multiuso No. 2 aplicada con una pistola de engrase cada 25 horas de funcionamiento.

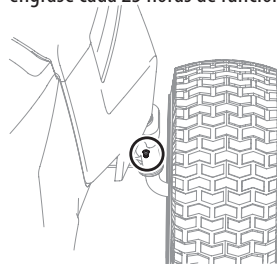


Figura 17

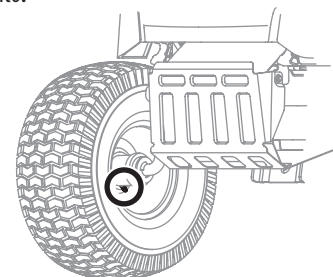


Figura 18

Ruedas de la Plataforma

Las ruedas de la plataforma que son de forma esférica vienen con un accesorio de engrase. Lubrique con una grasa multiuso No. 2 aplicada con una pistola de engrase cada 25 horas de funcionamiento.

Puntos de Pivote y Varillaje

Lubrique todos los puntos de pivote del sistema de transmisión, freno de mano y varillaje de elevación cada diez horas con un aceite ligero.

Nota: No es necesario engrasar el piñón de dirección o la interfaz del sector dentado. Si lo hace, se acumulará suciedad en estas piezas, y esto puede afectar el rendimiento de la dirección.

Ajustes

⚠ ADVERTENCIA

Antes de realizar ajustes, siempre desconecte la PTO, aplique el freno de mano, coloque la llave en posición OFF y quítela para evitar el encendido accidental. Proteja sus manos utilizando guantes reforzados cuando manipule las cuchillas.

Nota: Controle la presión de los neumáticos del tractor antes de realizar cualquier ajuste en la nivelación de la plataforma. Consulte información sobre la presión de los neumáticos en el título Control de la Presión de los Neumáticos dentro de la sección Montaje.

Ajuste de la Plataforma

Nivelación de la Plataforma (de adelante hacia atrás)

El frente de la plataforma se apoya en una barra estabilizadora que se puede ajustar para nivelar la plataforma de adelante hacia atrás. El frente de la plataforma debe estar entre 1/4" (6.4 mm) y 3/8" (9.5 mm) más abajo que la parte trasera de la plataforma. De ser necesario, realice un ajuste de la siguiente manera:

1. Con el tractor estacionado sobre una superficie firme y nivelada, coloque la palanca de elevación de la plataforma en la posición media y gire la cuchilla más cercana al canal de descarga para que quede paralela al tractor.
2. Mida la distancia desde la parte delantera de la punta de la cuchilla hasta el suelo, y desde la parte posterior de la punta de la cuchilla hasta el suelo. La parte delantera de la cuchilla debería estar entre 1/4" (6.4 mm) y 3/8" (9.5 mm) menos que la parte posterior de la cuchilla.
3. Determine la distancia aproximada necesaria para un ajuste adecuado y, de ser necesario, proceda.

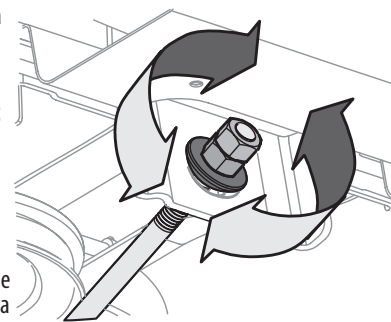


Figura 19

SERVICIO Y MANTENIMIENTO

- Para *eleva*r el frente de la plataforma, afloje la tuerca exterior y luego apriete (rosca hacia adentro) la tuerca contra el soporte de suspensión delantera. Consulte la Figura 19. Cuando se logre el ajuste correcto, vuelva a apretar la tuerca exterior hasta 25–30 pies–libras (33.9–40.7 N–m).
- Para *baja*r el frente de la plataforma, afloje la tuerca exterior y luego afloje (rosca hacia afuera) la tuerca, alejándola del soporte de suspensión delantera. Consulte la Figura 19. Cuando se logra el ajuste correcto, vuelva a apretar la tuerca exterior.

Nivelación de la Plataforma (de lado a lado)

Si la plataforma estuviera realizando el corte de césped de forma despareja, puede realizarse el ajuste lado a lado. De ser necesario, realice un ajuste de la siguiente manera:

- Con el tractor estacionado sobre una superficie firme y nivelada, coloque la palanca de elevación de la plataforma en la posición media y rote las dos cuchillas para que queden perpendiculares al tractor.
- Mida la distancia desde la parte externa de la punta de la cuchilla izquierda hasta el piso, y desde la parte externa de la punta de la cuchilla derecha hasta el piso. Las dos mediciones obtenidas deben ser iguales. Si no lo son, continúe con el siguiente paso.
- Debajo de los guardabarros traseros dentro de las ruedas hay una varilla de ajuste de elevación para cada lado de la plataforma. Consulte la Figura 20.
- Los ajustes menores de lado a lado se deben hacer usando principalmente la varilla de ajuste izquierda.
- Para elevar el lado izquierdo de la plataforma, afloje la tuerca superior del extremo de la varilla de elevación, y luego gire la tuerca inferior a la derecha. Cuando logra el ajuste correcto, apriete la tuerca superior para asegurarla en su lugar. Para bajar el lado izquierdo de la plataforma, afloje la tuerca superior del extremo de la varilla de elevación, luego gire la tuerca inferior a la izquierda. Cuando logre el ajuste correcto, apriete la tuerca superior hasta 25–30 pies–libras. (33.9–40.7 N–m) para asegurarla en su lugar.
- La plataforma se encuentra correctamente nivelada cuando las dos mediciones tomadas antes desde las puntas de las cuchillas son iguales.

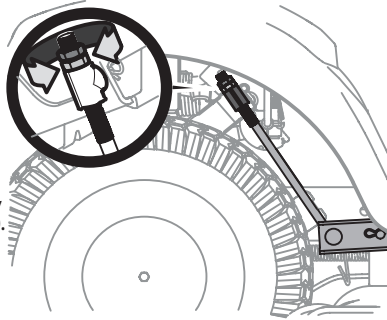


Figura 20

Ajuste de la Altura de la Plataforma

La altura de la plataforma se puede ajustar para asegurar que la configuración de la palanca de altura de la plataforma es precisa. Para ajustar la altura de la plataforma proceda de la siguiente manera:

- Con el tractor estacionado sobre una superficie firme y nivelada, coloque la palanca de elevación de la plataforma en la posición más alta (4" o 10 cm) y gire la cuchilla más cercana al canal de descarga para que quede perpendicular al tractor.
- Mida la distancia desde la parte externa de la punta de la cuchilla izquierda hasta el piso, y desde la parte externa de la punta de la cuchilla derecha hasta el piso. Las dos mediciones obtenidas deben ser 4" (10 cm). Si no lo son, prosiga con el paso siguiente.
- Usando las varillas de elevación derecha e izquierda, eleve o baje el lado necesario de la plataforma hasta que ambos lados se encuentren a 4" (10 cm) del pavimento.

Ajuste de las Ruedas de la Plataforma (Si está equipado)

⚠ ADVERTENCIA

Mantenga las manos y los pies alejados de la abertura de descarga de la plataforma.

Nota: Las ruedas de la plataforma constituyen un mecanismo para el cuidado del césped y no fueron diseñadas para soportar el peso de la plataforma.

Las ruedas de la plataforma deben estar aproximadamente 1/4"–1/2" (6.4–12.7 mm) por encima del suelo cuando la plataforma se fija en el valor de altura deseado. Para ajustar las ruedas de la plataforma, consulte las instrucciones en la sección Montaje.

Ajuste del Asiento

Consulte en la sección Montaje de este manual las instrucciones para el ajuste del asiento.

⚠ ADVERTENCIA

Antes de hacer funcionar el tractor, compruebe que el asiento esté enganchado en el tope del asiento. Aplique el freno de mano. Párese detrás del tractor y tire del asiento hacia atrás hasta que encaje en su lugar haciendo clic.

Ajuste del Freno de Mano

Si el tractor no se detiene por completo cuando se presiona totalmente el pedal de freno, o si las ruedas traseras del tractor pueden rodar con el freno de mano colocado, el freno necesita ajustes. Consulte al distribuidor de servicio autorizado para realizar un ajuste del freno.

Ajuste del Punto Muerto

Si el tractor se desliza hacia adelante o hacia atrás cuando no se presiona el pedal de marcha adelante ni el de marcha atrás, póngase en contacto con el distribuidor local autorizado para que regule correctamente el ajuste de punto muerto.

Alineación de las Ruedas Delanteras

Si el tractor tira hacia un lado o está desalineado, podría ser necesario alinear las ruedas. Compruebe que todas las ruedas estén correctamente infladas según la presión de inflado que se indica en los laterales de los neumáticos. Si el problema persiste, podría suceder que las barras de acoplamiento de los ejes delanteros estén desalineadas. Lleve el tractor a un distribuidor de servicio autorizado para que le alineen correctamente las ruedas delanteras.

Servicio

Retiro de la Plataforma

Para extraer la plataforma, proceda de la siguiente manera:

- Apague el motor, saque la llave del interruptor de llave y aplique el freno de mano.
- Baje la plataforma colocando la palanca de elevación de la plataforma en la posición más baja (Nº 1) en el guardabarros derecho.
- Desconecte el motor de la plataforma de los adaptadores que se encuentran en la parte inferior del tractor. Gire los conectores 1/4 de vuelta en sentido contrario a las agujas del reloj y tire hacia abajo. Consulte la Figura 21.

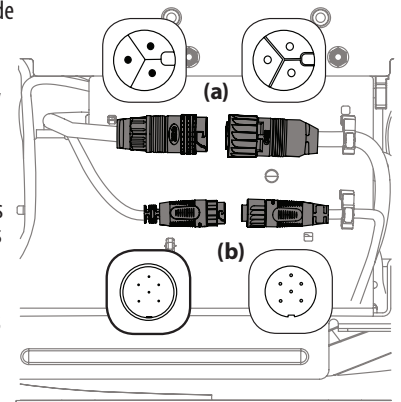


Figura 21

SERVICIO Y MANTENIMIENTO

Mirando la plataforma desde el lado izquierdo del tractor, ubique el pasador de chaveta en el lado posterior izquierdo de la plataforma. Consulte la Figura 22.

- Retire el pasador y saque el pasador de la plataforma del brazo de elevación de la misma. Consulte la Figura 22.
- Repita los pasos anteriores del lado derecho del tractor.
- Tire del pasador de chaveta hacia afuera de la varilla de elevación delantera de la plataforma que la sujeta a la plataforma. Consulte la Figura 23. Saque la varilla de elevación de la plataforma del soporte de suspensión delantera.
- Mueva la palanca de elevación de la plataforma a la muesca superior para levantar el elevador de la plataforma y sacarlo del camino.

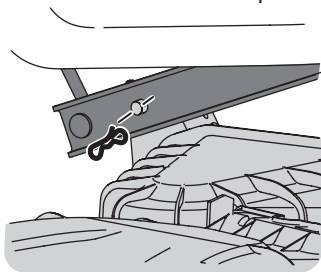


Figura 22

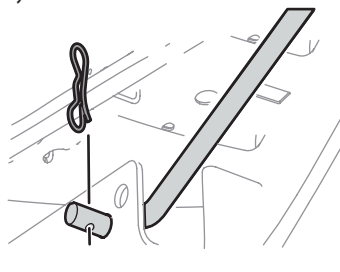


Figura 23

⚠ PRECAUCIÓN

Hay una cierta tensión de los resortes debido al peso de la plataforma. Al retirar el varillaje de elevación de la plataforma, la tensión de los resortes pasará de la plataforma a la manija de elevación de la plataforma y retrocederá a su posición original.

- Deslice suavemente la plataforma hacia afuera desde la parte inferior del tractor.

Instalación de la Plataforma

Para instalar la plataforma, siga a la inversa las Instrucciones sobre Retiro de la Plataforma que se encuentran en la página 16.

Cuchilla(s)

⚠ ADVERTENCIA

- Apague el tractor y quite la llave antes de extraer la(s) cuchilla(s) de corte para su afilado o reemplazo. Proteja sus manos utilizando guantes reforzados cuando maneje las cuchillas.
- Inspeccione periódicamente la cuchilla y/o el motor de la plataforma en busca de rajaduras o daños, especialmente después de golpear un objeto extraño. No haga funcionar el tractor hasta después de haber reemplazado los componentes dañados.

⚠ PRECAUCIÓN

Si el borde cortante de la cuchilla ha sido afilado previamente o si existe una separación de metal, reemplace las cuchillas por otras nuevas.

Afilado o Reemplazo de las Cuchillas

- Retire la plataforma desde abajo del tractor, (consulte la sección Retiro de la Plataforma anteriormente en esta sección) luego voltee con delicadeza la plataforma para visualizar su parte inferior.
- Coloque un bloque de madera entre el deflector del alojamiento de la plataforma y la cuchilla de corte para que actúe como estabilizador. Consulte la Figura 24.

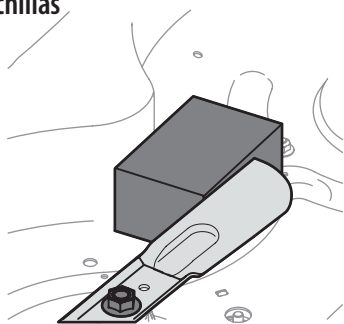


Figura 24

- Quite el tornillo hexagonal (a) y el soporte de campana de la cuchilla (b) que sostiene la cuchilla (c) y el adaptador de cuchilla (d) al motor de la plataforma. Consulte la Figura 25.
- Quite la cuchilla (c) y el adaptador (d) del husillo del motor de la plataforma. Consulte la Figura 25.
- Para afilar la cuchilla de corte correctamente, extraiga cantidades iguales de metal de ambos extremos de la cuchilla a lo largo de los bordes cortantes, paralelo al borde de caída, a un ángulo de 25° a 30°. Afile siempre cada borde de las cuchillas de corte de forma pareja para mantener un equilibrio adecuado entre las mismas. Consulte la Figura 26.

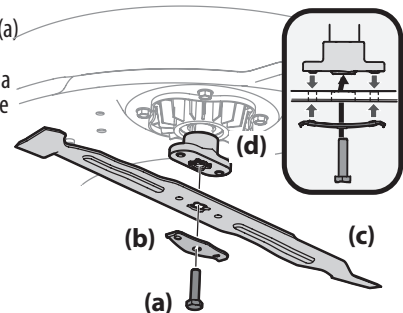


Figura 25

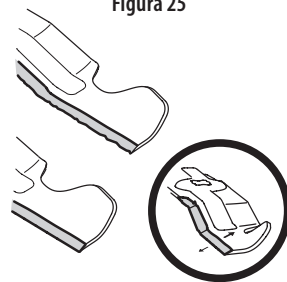


Figura 26

- Pruebe el equilibrio de la cuchilla usando un compensador de cuchillas. Afile el metal del lado pesado hasta que quede bien equilibrada.

⚠ ADVERTENCIA

Una cuchilla mal equilibrada causará exceso de vibración y puede dañar el tractor y/o causar lesiones.

Nota: Cuando reemplace la cuchilla, asegúrese de instalarla con el lado marcado "Bottom" (inferior) (o con el lado que posee un número de pieza estampado) mirando al piso cuando el tractor está en posición de operación.

- Una vez que esté correctamente afilada, vuelva a instalar la cuchilla. Ajuste hasta 450–600 pulgadas-libras (50.9–67.8 N-m).

Almacenamiento Fuera de Temporada

Almacenamiento del Tractor

- Deje que el tractor se enfríe en un área abierta antes de almacenarlo.
- No estacione el tractor cerca de cualquier material inflamable (madera, ropa o productos químicos) o de llamas abiertas o cualquier otra fuente potencial de ignición (hornos, calentadores de agua u otros tipos de calefactores).
- Quite todos los materiales combustibles del tractor antes de guardarlo. Vacíe las cajas de carga y los colectores o contenedores de césped.

Retiro del Tractor del Lugar de Almacenamiento

- Cargue totalmente la batería e infle los neumáticos a la presión recomendada.
- Conduzca el tractor sin carga para estar seguro de que todos los sistemas del tractor funcionan correctamente.

Almacenamiento de la Batería

- La batería debe guardarse con carga completa. Una batería descargada puede congelarse más rápidamente que una batería cargada en temperaturas frías.
- El cargador de la batería debe permanecer conectado en el puerto de carga cuando no está en uso.
- Si no fuera posible mantener el cargador conectado durante el tiempo de almacenamiento fuera de temporada, se debe cargar la batería por completo una vez al mes.

Nota: lleva aproximadamente 4 horas cargar por completo la batería. Dejar la batería conectada al cargador por más de 4 horas no daña la batería.

SERVICIO Y MANTENIMIENTO

4. La batería no debe dejarse descargada. Ello podría ocasionar un daño permanente a la batería.
5. Recargue totalmente la batería antes de volver a poner el tractor en servicio.

Eliminación de la Batería

Eliminación de Baterías Dañadas o Agotadas

ADVERTENCIA

- Esta batería contiene el siguiente material tóxico y corrosivo: ION DE LITIO, un material tóxico.
- No use baterías rotas o con grietas, aun cuando no tengan pérdidas. Cambie las baterías dañadas o agotadas por baterías nuevas. ¡NO INTENTE REPARAR LAS BATERÍAS! Los intentos de reparación pueden producir lesiones personales graves debido a explosión o descarga eléctrica.

Para evitar lesiones personales y daños ambientales:








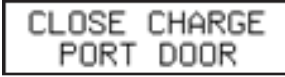

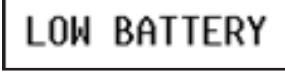


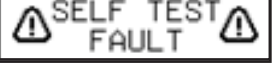

- No intente retirar ni destruir ningún componente de la batería. No abra ni mutile la batería. Si se produce una pérdida, los electrolitos emitidos son corrosivos y tóxicos. No deje que la solución entre en contacto con sus ojos o su piel y no trague solución.
- No arroje la batería junto con la basura domiciliar normal.
- No arroje la batería al fuego. El elemento de la batería puede explotar.
- No elimine la batería en un lugar donde pase a ser parte de algún relleno sanitario o de los desechos sólidos municipales.
- Póngase en contacto con su distribuidor de servicio autorizado para el correcto reciclado de la batería.

Solución de Problemas

Problema	Causa	Solución
Demasiada vibración	<ol style="list-style-type: none"> 1. La cuchilla está floja o desbalanceada 2. Cuchilla de corte dañada, desbalanceada o doblada. 	<ol style="list-style-type: none"> 1. Apriete la cuchilla de corte y el husillo de la plataforma 2. Reemplace la cuchilla
Corte irregular	<ol style="list-style-type: none"> 1. Plataforma nivelada incorrectamente 2. Cuchilla de corte desafilada o dañada 3. Presión de neumáticos desigual 	<ol style="list-style-type: none"> 1. Haga un ajuste de la plataforma de adelante hacia atrás 2. Afile o cambie la cuchilla de corte 3. Verifique y corrija la presión de los cuatro neumáticos
Tractor no abona el césped	<ol style="list-style-type: none"> 1. Césped húmedo 2. Césped demasiado alto 3. Cuchilla desafilada 	<ol style="list-style-type: none"> 1. No procese abono cuando el césped está mojado 2. Corte una vez a una altura de corte elevada y luego vuelva a realizar el corte a la altura deseada, o siga una ruta de corte más estrecha 3. Afile o cambie la cuchilla
El tractor se detuvo o no arranca	<ol style="list-style-type: none"> 1. Falla en el sistema eléctrico 	<ol style="list-style-type: none"> 1. Apague y vuelva a encender el tractor Si el problema persiste, comuníquese con un distribuidor de servicio autorizado
Las cuchillas no giran/se detuvieron	<ol style="list-style-type: none"> 1. Sobrecarga 2. Batería baja 	<ol style="list-style-type: none"> 1. Deje que el motor de la plataforma se enfríe/eleve la altura de la plataforma 2. Regrese al hogar; conéctela al cargador
Las cuchillas se detuvieron durante el desplazamiento marcha atrás	<ol style="list-style-type: none"> 1. Las cuchillas se detuvieron 	<ol style="list-style-type: none"> 1. Vuelva a encender las cuchillas (PTO) Asegúrese de que esté activado el Modo Precaución Marcha Atrás.
Velocidad reducida	<ol style="list-style-type: none"> 1. Batería baja 2. Sobrecarga 	<ol style="list-style-type: none"> 1. Cargue la batería según las instrucciones del manual del cargador de la batería 2. Eleve la plataforma

SERVICIO Y MANTENIMIENTO

Mensajes de la Pantalla LCD

	<p>Falla en Interruptor de Freno: Plataforma y transmisión apagadas. Apague y vuelva a encender el tractor. Si el problema persiste, póngase en contacto con personal de servicio calificado.</p>		<p>Baja Temperatura de Batería: Mueva el tractor a un lugar cálido y deje que la batería se caliente. Si el problema persiste, póngase en contacto con personal de servicio calificado.</p>
	<p>Falla en Sensor de Pedal de Acelerador: Plataforma y transmisión apagadas. Apague y vuelva a encender el tractor. Si el problema persiste, póngase en contacto con personal de servicio calificado.</p>	  	<p>Fallas por Alta Temperatura: Apague el tractor, deje que se enfríe y vuelva a encenderlo. Si el problema persiste, póngase en contacto con personal de servicio calificado.</p>
	<p>Falla en Interruptor de Asiento: Plataforma y transmisión apagadas. Apague el tractor, siéntese en el asiento y vuelva a encender el tractor. Si el problema persiste, póngase en contacto con personal de servicio calificado.</p>		<p>Puerta Abierta de Puerto de Carga: El tractor se detendrá y se apagará. Cierre la puerta del puerto de carga y vuelva a encender el tractor. Si el problema persiste, póngase en contacto con personal de servicio calificado.</p>
	<p>Sobrecarga en Plataforma de Corte: Plataforma y transmisión apagadas. Apague el tractor, limpie debajo de la plataforma como se indica en la sección Cuidado del Tractor Posterior al Funcionamiento, y vuelva a encender el tractor. Eleve la plataforma y/o corte a ritmo más lento. Si el problema persiste, póngase en contacto con personal de servicio calificado.</p>		<p>Advertencia de Batería Baja: La batería está baja y debe ser cargada lo antes posible.</p>
	<p>Falla de Sobrecorriente en Motor de Impulsión: Plataforma y transmisión apagadas. Apague el tractor, deje que se enfríe y vuelva a encender. Si el problema persiste, póngase en contacto con personal de servicio calificado.</p>		
	<p>Falla en Control de Motor de Impulsión: Plataforma y transmisión apagadas. Apague y vuelva a encender el tractor. Si el problema persiste, póngase en contacto con personal de servicio calificado.</p>		
	<p>Falla en Prueba Automática: Plataforma y transmisión apagadas. Apague y vuelva a encender el tractor. Si el problema persiste, póngase en contacto con personal de servicio calificado.</p>		
	<p>Fallas Eléctricas: Plataforma y transmisión apagadas. Apague y vuelva a encender el tractor. Si el problema persiste, póngase en contacto con personal de servicio calificado.</p>		