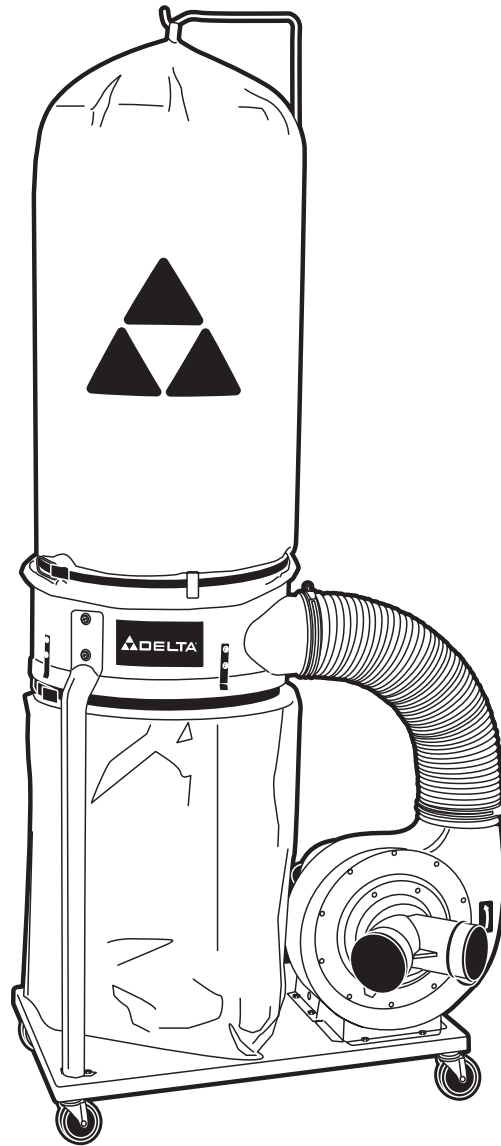


**1-1/2 H.P. Single
Stage Dust
Collector**

**Dépoussiéreur
monoétagé
de 1-1/2 HP**

**Recolector de
polvo de una
etapa de
1 1/2 H.P.**



**Instruction Manual
Manuel d'utilisation
Manual de instrucciones**

FRANÇAIS (15)

ESPAÑOL (29)

TABLE OF CONTENTS

IMPORTANT SAFETY INSTRUCTIONS	2	MAINTENANCE.....	13
SAFETY GUIDELINES - DEFINITIONS	2	SERVICE.....	13
GENERAL SAFETY RULES	3	ACCESSORIES.....	14
ASSEMBLY	8	WARRANTY.....	14
OPERATION	12	FRANÇAIS	15
TROUBLESHOOTING.....	13	ESPAÑOL.....	28

IMPORTANT SAFETY INSTRUCTIONS

⚠ WARNING: Read and understand all warnings and operating instructions before using any tool or equipment. When using tools or equipment, basic safety precautions should always be followed to reduce the risk of personal injury. Improper operation, maintenance or modification of tools or equipment could result in serious injury and property damage. There are certain applications for which tools and equipment are designed. Delta Machinery strongly recommends that this product NOT be modified and/or used for any application other than for which it was designed.



If you have any questions relative to its application DO NOT use the product until you have written Delta Machinery and we have advised you. Contact us online at www.deltamachinery.com or by mail at Technical Service Manager, Delta Machinery, 4825 Highway 45 North, Jackson, TN 38305. In Canada, 125 Mural St. Suite 300, Richmond Hill, ON, L4B 1M4)

Information regarding the safe and proper operation of this tool is available from the following sources:

- **Power Tool Institute**, 1300 Sumner Avenue, Cleveland, OH 44115-2851 or online at www.powertoolinstitute.org
- **National Safety Council**, 1121 Spring Lake Drive, Itasca, IL 60143-3201
- **American National Standards Institute**, 25 West 43rd Street, 4 floor, New York, NY 10036 www.ansi.org - ANSI 01.1 Safety Requirements for Woodworking Machines
- **U.S. Department of Labor** regulations www.osha.gov

SAVE THESE INSTRUCTIONS!

SAFETY GUIDELINES - DEFINITIONS

It is important for you to read and understand this manual. The information it contains relates to protecting YOUR SAFETY and PREVENTING PROBLEMS. The symbols below are used to help you recognize this information.

⚠ DANGER: Indicates an imminently hazardous situation which, if not avoided, **will** result in **death or serious injury**.

⚠ WARNING: Indicates a potentially hazardous situation which, if not avoided, **could** result in **death or serious injury**.

⚠ CAUTION: Indicates a potentially hazardous situation which, if not avoided, **may** result in **minor or moderate injury**.

CAUTION: Used without the safety alert symbol indicates a potentially hazardous situation which, if not avoided, **may** result in **property damage**.

CALIFORNIA PROPOSITION 65

⚠ WARNING: Some dust created by power sanding, sawing, grinding, drilling, and other construction activities contains chemicals known to cause cancer, birth defects or other reproductive harm. Some examples of these chemicals are:

- lead from lead-based paints,
- crystalline silica from bricks and cement and other masonry products, and
- arsenic and chromium from chemically-treated lumber.

Your risk from these exposures varies, depending on how often you do this type of work. To reduce your exposure to these chemicals: work in a well ventilated area, and work with approved safety equipment, always wear NIOSH/OSHA approved, properly fitting face mask or respirator when using such tools.

GENERAL SAFETY RULES

⚠ WARNING: Failure to follow these rules may result in serious personal injury.

- 1. FOR YOUR OWN SAFETY, READ THE INSTRUCTION MANUAL BEFORE OPERATING THE MACHINE.** Learning the machine's application, limitations, and specific hazards will greatly minimize the possibility of accidents and injury.
- 2. WEAR EYE AND HEARING PROTECTION. ALWAYS USE SAFETY GLASSES.** Everyday eyeglasses are NOT safety glasses. USE CERTIFIED SAFETY EQUIPMENT. Eye protection equipment should comply with ANSI Z87.1 standards. Hearing equipment should comply with ANSI S3.19 standards.
- 3. WEAR PROPER APPAREL.** Do not wear loose clothing, gloves, neckties, rings, bracelets, or other jewelry which may get caught in moving parts. Non-slip protective footwear is recommended. Wear protective hair covering to contain long hair.
- 4. DO NOT USE THE MACHINE IN A DANGEROUS ENVIRONMENT.** The use of power tools in damp or wet locations or in rain can cause shock or electrocution. Keep your work area well-lit to prevent tripping or placing arms, hands, and fingers in danger.
- 5. MAINTAIN ALL TOOLS AND MACHINES IN PEAK CONDITION.** Keep tools sharp and clean for best and safest performance. Follow instructions for lubricating and changing accessories. Poorly maintained tools and machines can further damage the tool or machine and/or cause injury.
- 6. CHECK FOR DAMAGED PARTS.** Before using the machine, check for any damaged parts. Check for alignment of moving parts, binding of moving parts, breakage of parts, and any other conditions that may affect its operation. A guard or any other part that is damaged **should be properly repaired or replaced with Delta or factory authorized replacement parts.** Damaged parts can cause further damage to the machine and/or injury.
- 7. KEEP THE WORK AREA CLEAN.** Cluttered areas and benches invite accidents.
- 8. KEEP CHILDREN AND VISITORS AWAY.** Your shop is a potentially dangerous environment. Children and visitors can be injured.
- 9. REDUCE THE RISK OF UNINTENTIONAL STARTING.** Make sure that the switch is in the "OFF" position before plugging in the power cord. In the event of a power failure, move the switch to the "OFF" position. An accidental start-up can cause injury. Do not touch the plug's metal prongs when unplugging or plugging in the cord.
- 10. USE THE GUARDS.** Check to see that all guards are in place, secured, and working correctly to prevent injury.
- 11. REMOVE ADJUSTING KEYS AND WRENCHES BEFORE STARTING THE MACHINE.** Tools, scrap pieces, and other debris can be thrown at high speed, causing injury.
- 12. USE THE RIGHT MACHINE.** Don't force a machine or an attachment to do a job for which it was not designed. Damage to the machine and/or injury may result.
- 13. USE RECOMMENDED ACCESSORIES.** The use of accessories and attachments not recommended by Delta may cause damage to the machine or injury to the user.
- 14. USE THE PROPER EXTENSION CORD.** Make sure your extension cord is in good condition. When using an extension cord, be sure to use one heavy enough to carry the current your product will draw. An undersized cord will cause a drop in line voltage, resulting in loss of power and overheating. See the Extension Cord Chart for the correct size depending on the cord length and nameplate ampere rating. If in doubt, use the next heavier gauge. The smaller the gauge number, the heavier the cord.
- 15. SECURE THE WORKPIECE.** Use clamps or a vise to hold the workpiece when practical. Loss of control of a workpiece can cause injury.
- 16. FEED THE WORKPIECE AGAINST THE DIRECTION OF THE ROTATION OF THE BLADE, CUTTER, OR ABRASIVE SURFACE.** Feeding it from the other direction will cause the workpiece to be thrown out at high speed.
- 17. DON'T FORCE THE WORKPIECE ON THE MACHINE.** Damage to the machine and/or injury may result.
- 18. DON'T OVERREACH.** Loss of balance can make you fall into a working machine, causing injury.
- 19. NEVER STAND ON THE MACHINE.** Injury could occur if the tool tips, or if you accidentally contact the cutting tool.
- 20. NEVER LEAVE THE MACHINE RUNNING UNATTENDED. TURN THE POWER OFF.** Don't leave the machine until it comes to a complete stop. A child or visitor could be injured.
- 21. TURN THE MACHINE "OFF", AND DISCONNECT THE MACHINE FROM THE POWER SOURCE** before installing or removing accessories, changing cutters, adjusting or changing set-ups. When making repairs, be sure to lock the start switch in the "OFF" position. An accidental start-up can cause injury.
- 22. MAKE YOUR WORKSHOP CHILDPROOF WITH PADLOCKS, MASTER SWITCHES, OR BY REMOVING STARTER KEYS.** The accidental start-up of a machine by a child or visitor could cause injury.
- 23. STAY ALERT, WATCH WHAT YOU ARE DOING, AND USE COMMON SENSE. DO NOT USE THE MACHINE WHEN YOU ARE TIRED OR UNDER THE INFLUENCE OF DRUGS, ALCOHOL, OR MEDICATION.** A moment of inattention while operating power tools may result in injury.
- 24. ⚠ WARNING: USE OF THIS TOOL CAN GENERATE AND DISBURSE DUST OR OTHER AIRBORNE PARTICLES, INCLUDING WOOD DUST, CRYSTALLINE SILICA DUST AND ASBESTOS DUST.** Direct particles away from face and body. Always operate tool in well ventilated area and provide for proper dust removal. Use dust collection system wherever possible. Exposure to the dust may cause serious and permanent respiratory or other injury, including silicosis (a serious lung disease), cancer, and death. Avoid breathing the dust, and avoid prolonged contact with dust. Allowing dust to get into your mouth or eyes, or lay on your skin may promote absorption of harmful material. Always use properly fitting NIOSH/OSHA approved respiratory protection appropriate for the dust exposure, and wash exposed areas with soap and water.

ADDITIONAL SPECIFIC SAFETY RULES

FAILURE TO FOLLOW THESE RULES MAY RESULT IN SERIOUS INJURY.

⚠ DANGER: DO NOT USE THIS UNIT TO FILTER METAL DUST. Combining wood and metal dust can create an explosion or fire hazard. This unit is intended to filter non-explosive atmospheres only.

⚠ WARNING: DO NOT USE THIS UNIT TO DISSIPATE FUMES OR SMOKE. Explosions or fire can result. This dust collector is intended for use where only dry airborne dust is present. Its use should be limited to non-explosive, non-metallic atmospheres.

1. **DO NOT OPERATE THIS UNIT UNTIL IT IS COMPLETELY ASSEMBLED AND INSTALLED ACCORDING TO THE INSTRUCTIONS.** A unit incorrectly assembled can cause injury.
2. **OBTAIN ADVICE FROM YOUR SUPERVISOR, INSTRUCTOR, OR ANOTHER QUALIFIED PERSON** if you are not thoroughly familiar with the operation of this unit. Knowledge is safety
3. **FOLLOW ALL WIRING CODES** and recommended electrical connections to prevent electrical shock or electrocution.
4. **DO NOT PULL THIS UNIT BY THE POWER CORD.** Do not allow the power cord to come in contact with sharp instruments or edges, hot surfaces, or oil or grease. Do not place any weight on top of the power cord. A damaged power cord can cause electrical shock or electrocution.
5. **SUPPORT THIS UNIT OR SECURELY CLAMP IT TO THE WORK SURFACE WHEN IT IS USED IN A PORTABLE APPLICATION** to eliminate potential injury and/or damage from falling.
6. **ENSURE THAT THE INTAKE AND EXHAUST AREAS ARE CLEAR PRIOR TO STARTING THE UNIT.** Clogged intakes or exhausts can cause an explosion and/or fire.
7. **DO NOT USE THE DUST COLLECTOR** to pick up flammable liquids such as gasoline. Do not use the dust collector near flammable or combustible liquids. Explosion and/or fire can occur.
8. **KEEP ARMS, HANDS, AND FINGERS AWAY FROM THE FAN.** Avoid all exposure to rotating parts to prevent injury.
9. **DO NOT OPERATE THIS UNIT WITHOUT THE DUST COLLECTION BAG IN PLACE AND PROPERLY SECURED.** Sawdust and other debris can provide the potential for fire and/or explosion and can also cause inhalation problems.
10. **INSPECT THE DUST BAG FOR CUTS, RIPS, OR TEARS.** Replace damaged bags or vacuum hoses. Sawdust and other debris can provide the potential for fire and/or explosion and can also cause inhalation problems.
11. **ALWAYS USE THE INTAKE CAPS TO COVER UNUSED DUST PORTS.** Debris can cause damage to the unit and injury.
12. **DO NOT ATTEMPT TO REMOVE OR REPLACE** the dust collection bag(s) while the unit is connected to the power source. Exposed fan blades can cause severe injuries.
13. **MAINTAIN THE UNIT IN TOP CONDITION.** Clogged filters can increase the potential for fire or explosion. Follow all instructions for changing and cleaning filters.
14. **STORE THIS UNIT IN A LOCATION** that eliminates the potential for damage to the power cord. A damaged power cord can cause shock or electrocution. Safely store power cord on the unit to eliminate tripping hazards.
15. **TURN THE UNIT "OFF" AND DISCONNECT THE UNIT** from the power source before installing or removing accessories, before adjusting or changing set-ups, or when making repairs. An accidental start-up can cause serious injury.
16. **TURN THE UNIT "OFF",** disconnect the unit from the power source, and clean the table/work area before leaving the area.

SAVE THESE INSTRUCTIONS.

**Refer to them often
and use them to instruct others.**

POWER CONNECTIONS

A separate electrical circuit should be used for your machines. This circuit should not be less than #12 wire and should be protected with a time delay fuse. **NOTE:** Time delay fuses should be marked “D” in Canada and “T” in the US. If an extension cord is used, use only 3-wire extension cords which have 3-prong grounding type plugs and matching receptacle which will accept the machine’s plug. Before connecting the machine to the power line, make sure the switch (s) is in the “OFF” position and be sure that the electric current is of the same characteristics as indicated on the machine. All line connections should make good contact. Running on low voltage will damage the machine.

▲ DANGER: Do not expose the machine to rain or operate the machine in damp locations.

MOTOR SPECIFICATIONS

Your machine can be wired for both 120V or 240V, 60 HZ alternating current. Before connecting the machine to the power source, make sure the switch is in the "OFF" position.

GROUNDING INSTRUCTIONS

▲ DANGER: This machine must be grounded while in use to protect the operator from electric shock.

1. All grounded, cord-connected machines:

In the event of a malfunction or breakdown, grounding provides a path of least resistance for electric current to reduce the risk of electric shock. This machine is equipped with an electric cord having an equipment-grounding conductor and a grounding plug. The plug must be plugged into a matching outlet that is properly installed and grounded in accordance with all local codes and ordinances.

Do not modify the plug provided - if it will not fit the outlet, have the proper outlet installed by a qualified electrician.

Improper connection of the equipment-grounding conductor can result in risk of electric shock. The conductor with insulation having an outer surface that is green with or without yellow stripes is the equipment-grounding conductor. If repair or replacement of the electric cord or plug is necessary, do not connect the equipment-grounding conductor to a live terminal.

Check with a qualified electrician or service personnel if the grounding instructions are not completely understood, or if in doubt as to whether the machine is properly grounded.

Use only 3-wire extension cords that have 3-prong grounding type plugs and matching 3-conductor receptacles that accept the machine’s plug, as shown in Fig. A.

Repair or replace damaged or worn cord immediately.

2. Grounded, cord-connected machines intended for use on a supply circuit having a nominal rating less than 150 volts:

If the machine is intended for use on a circuit that has an outlet that looks like the one illustrated in Fig. A, the machine will have a grounding plug that looks like the plug illustrated in Fig. A. A temporary adapter, which looks like the adapter illustrated in Fig. B, may be used to connect this plug to a matching 2-conductor receptacle as shown in Fig. B if a properly grounded outlet is not available. The temporary adapter should be used only until a properly grounded outlet can be installed by a qualified electrician. The green-colored rigid ear, lug, and the like, extending from the adapter must be connected to a permanent ground such as a properly grounded outlet box. Whenever the adapter is used, it must be held in place with a metal screw.

NOTE: In Canada, the use of a temporary adapter is not permitted by the Canadian Electric Code.

▲ DANGER: In all cases, make certain that the receptacle in question is properly grounded. If you are not sure, have a qualified electrician check the receptacle.

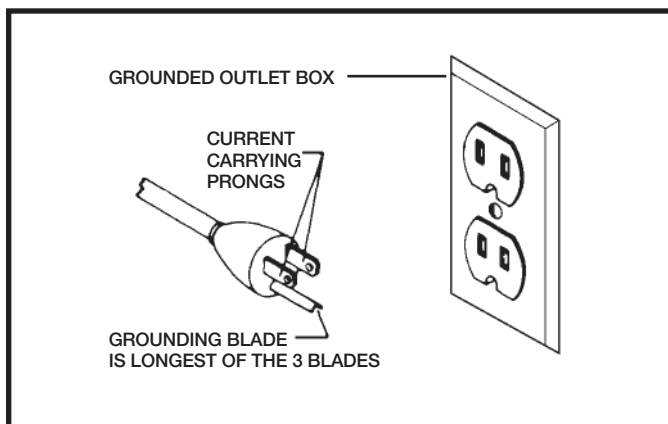


Fig. A

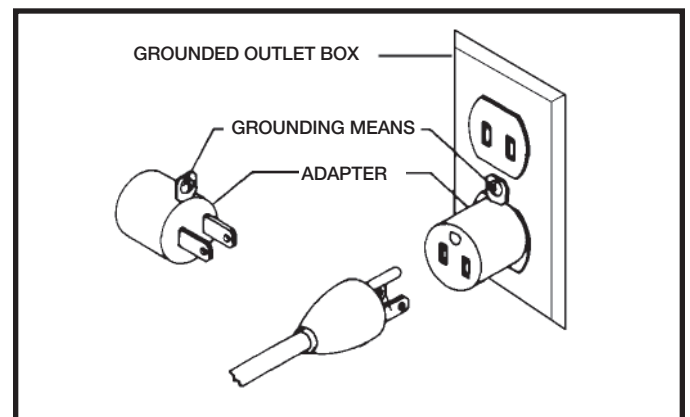


Fig. B

3. 240 VOLT SINGLE PHASE OPERATION

The motor supplied with your machine is a dual voltage, 120/240 volt motor. It is shipped ready-to-run for 120 volt operation. However, it can be converted for 240 volt operation.

A qualified electrician should do the conversion, or the machine can be taken to an Authorized Delta Service Center. When completed, the machine must conform to the National Electric Code and all local codes and ordinances.

The machine is typically converted by re-wiring the motor for 240 volts, installing a 240 volt plug on the power supply cord and replacing the switch with one that is rated for 240 volt operation.

Be sure the 240 volt plug is only used in an outlet having the same configuration as the plug illustrated in Fig. C. No adapter should be used with the 240 volt plug.

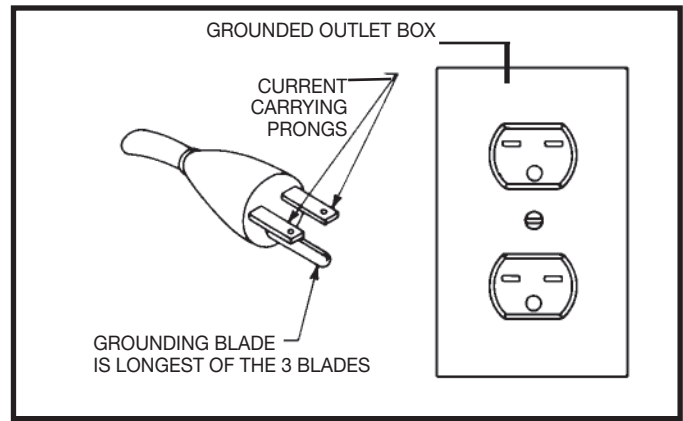


Fig. C

⚠ WARNING: In all cases, make certain that the receptacle in question is properly grounded. If you are not sure, have a qualified electrician check the receptacle.

EXTENSION CORDS

⚠ WARNING: Use proper extension cords. Make sure your extension cord is in good condition and is a 3-wire extension cord which has a 3-prong grounding type plug and matching receptacle which will accept the machine's plug. When using an extension cord, be sure to use one heavy enough to carry the current of the machine. An undersized cord will cause a drop in line voltage, resulting in loss of power and overheating. Fig. D-1 or D-2, shows the correct gauge to use depending on the cord length. If in doubt, use the next heavier gauge. The smaller the gauge number, the heavier the cord.

MINIMUM GAUGE EXTENSION CORD			
RECOMMENDED SIZES FOR USE WITH STATIONARY ELECTRIC MACHINES			
Ampere Rating	Volts	Total Length of Cord in Feet	Gauge of Extension Cord
0-6	120	up to 25	18 AWG
0-6	120	25-50	16 AWG
0-6	120	50-100	16 AWG
0-6	120	100-150	14 AWG
6-10	120	up to 25	18 AWG
6-10	120	25-50	16 AWG
6-10	120	50-100	14 AWG
6-10	120	100-150	12 AWG
10-12	120	up to 25	16 AWG
10-12	120	25-50	16 AWG
10-12	120	50-100	14 AWG
10-12	120	100-150	12 AWG
12-16	120	up to 25	14 AWG
12-16	120	25-50	12 AWG
12-16	120	GREATER THAN 50 FEET NOT RECOMMENDED	

Fig. D-1

MINIMUM GAUGE EXTENSION CORD			
RECOMMENDED SIZES FOR USE WITH STATIONARY ELECTRIC MACHINES			
Ampere Rating	Volts	Total Length of Cord in Feet	Gauge of Extension Cord
0-6	240	up to 50	18 AWG
0-6	240	50-100	16 AWG
0-6	240	100-200	16 AWG
0-6	240	200-300	14 AWG
6-10	240	up to 50	18 AWG
6-10	240	50-100	16 AWG
6-10	240	100-200	14 AWG
6-10	240	200-300	12 AWG
10-12	240	up to 50	16 AWG
10-12	240	50-100	16 AWG
10-12	240	100-200	14 AWG
10-12	240	200-300	12 AWG
12-16	240	up to 50	14 AWG
12-16	240	50-100	12 AWG
12-16	240	GREATER THAN 100 FEET NOT RECOMMENDED	

Fig. D-2

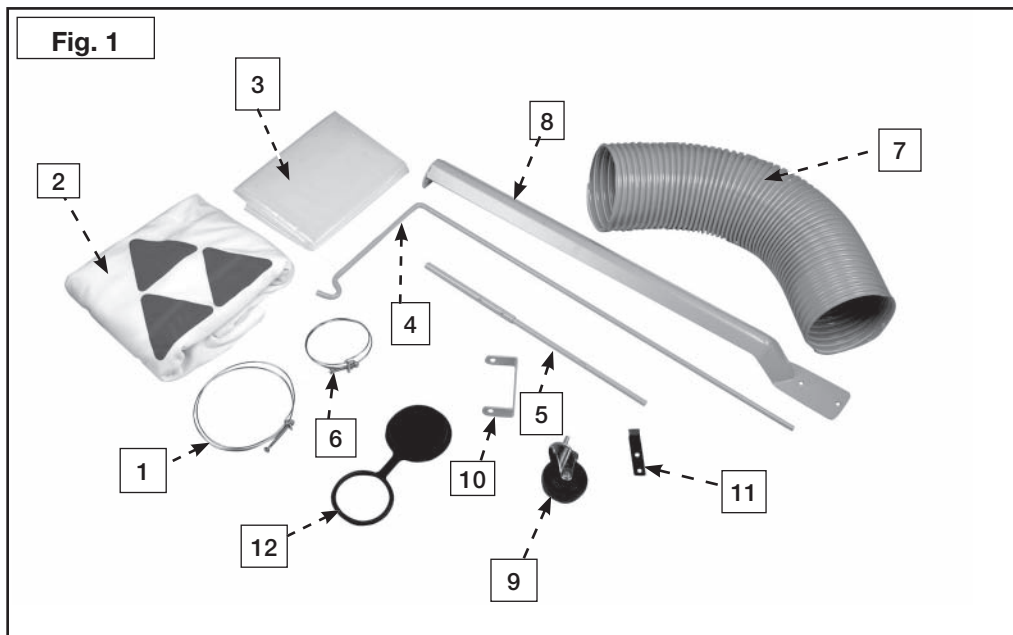
FUNCTIONAL DESCRIPTION

FOREWORD

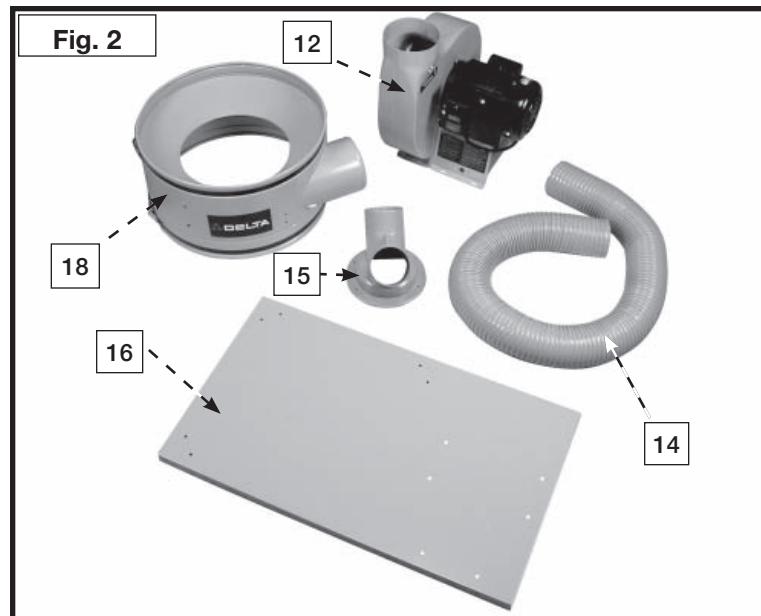
The 50-850 Dust Collector will connect to woodworking machines that accept a 4" (101.6 mm) diameter hose. The 50-850 comes with a five micron filter bag, one six mil plastic collection bag and a 4" x 5' (101.6 mm x 1524 mm) collection hose.

NOTICE: The illustration on the manual cover shows the current production model. All other illustrations contained in the manual are representative only and may not depict the actual labeling or accessories included. These are intended to illustrate technique only.

CARTON CONTENTS



- | | |
|--|--|
| 1. Locking Bands for Filter and Dust Collection Bags (2) | 7. 6" (152 mm) Dia. Flexible Hose |
| 2. Filter Bag | 8. Drum Support (3) |
| 3. Dust Collection Bag | 9. Casters 3/8" Lockwashers, 3/8-16 Hex Nuts (4) |
| 4. Filter Bag Support Rod | 10. "U" Bracket for Filter Bag Support Rod |
| 5. Extension Rod | 11. Lower Dust Bag retaining Clips (4) |
| 6. Clamps (3) | 12. Intake Caps (2) |



- | | |
|---------------------------------------|--------------------------------------|
| 14. 4" (101 mm) Dia. Flexible Hose | • 5/16-18 Hex Nuts (8) |
| 15. Intake Port | • 5/16" x 7/8" O.D. Flat Washers (8) |
| 16. Base | • #8 Sheet Metal Screw (4) |
| 17. Blower and Motor Assembly | • 1/4-20 x 5/8" Hex Head Screw (8) |
| 18. Drum | • 1/4" Lock washers (8) |
| HARDWARE NOT SHOWN | • 3/8-16 Hex Nuts (4) |
| • 5/16-18 x 5/8" Hex Head Screws (20) | • 3/8" Lock washers (4) |
| • 5/16" Lock washers (20) | |

UNPACKING AND CLEANING

Carefully unpack the machine and all loose items from the shipping container(s). Remove the rust-preventative oil from unpainted surfaces using a soft cloth moistened with mineral spirits, paint thinner or denatured alcohol.

CAUTION: Do not use highly volatile solvents such as gasoline, naphtha, acetone or lacquer thinner for cleaning your machine.

After cleaning, cover the unpainted surfaces with a good quality household floor paste wax.

ASSEMBLY

⚠ WARNING: For your own safety, do not connect the machine to the power source until the machine is completely assembled and you read and understand the entire instruction manual.

ASSEMBLY TOOLS REQUIRED

Phillips head screwdriver (not supplied)

3/8", 1/2", and 9/16" open-end wrenches (not supplied)

ASSEMBLY TIME ESTIMATE

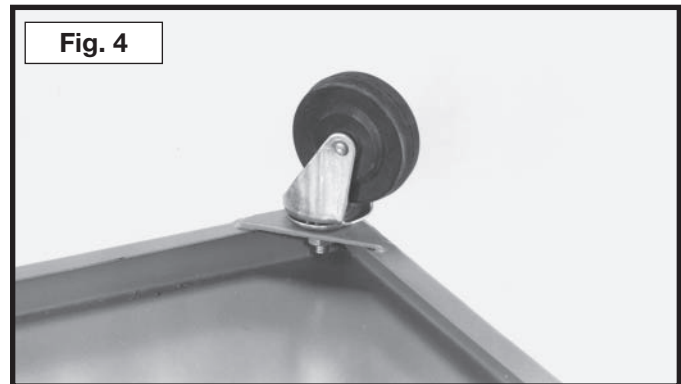
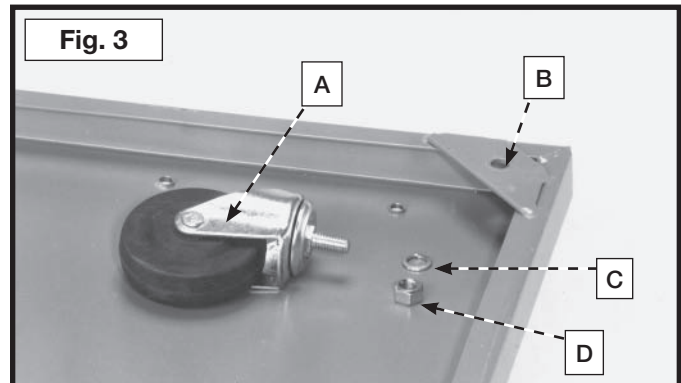
30 minutes to 1 hour

CAUTION: This machine is heavy. Use two or more people when lifting.

CASTERS TO BASE

⚠ WARNING: Disconnect the machine from the power source!

1. Insert threaded rod of caster (A) Fig. 3, into the hole located on the underside of base (B) and fasten with 3/8" lockwasher (C) and 3/8-16 hex nut (D). Fig. 4, illustrates the caster fastened to the base.
2. Assemble the remaining three casters to the underside of the base in the same manner.

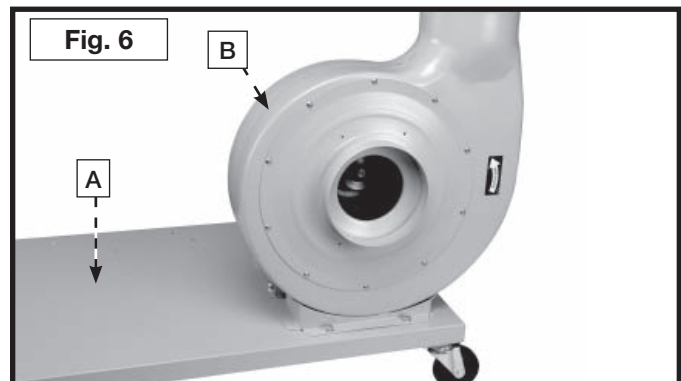
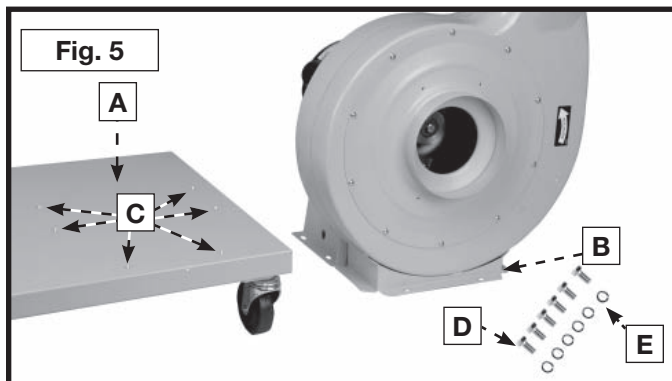


ASSEMBLING BLOWER AND MOTOR

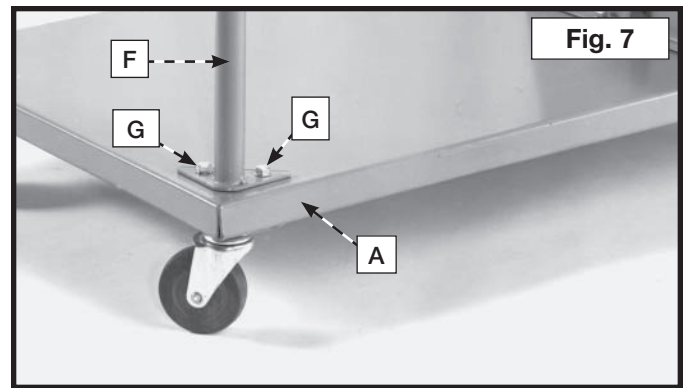
ASSEMBLY TO BASE

⚠ WARNING: Disconnect the machine from the power source!

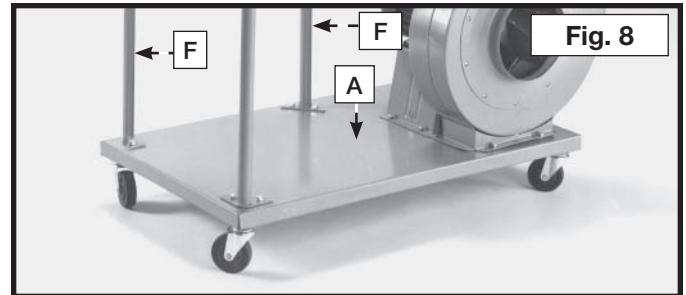
1. Turn base (A) Fig. 5, right side up. Align the mounting holes at the base of blower and motor assembly (B) Fig. 5, with six pre-drilled holes (C) in base (A) and fasten with six 5/16-18 x 5/8" hex head screws (D) and 5/16" lockwashers (E).
2. Fig. 6, illustrates the blower and motor assembly (B) fastened to base (A).



- Assemble drum support (F) Fig. 7, to the two threaded holes in the corner of base (A), as shown in Fig. 7, with two 5/16-18 x 5/8" hex head screws and 5/16" lockwashers (G). **NOTE:** Do not completely tighten hardware at this time



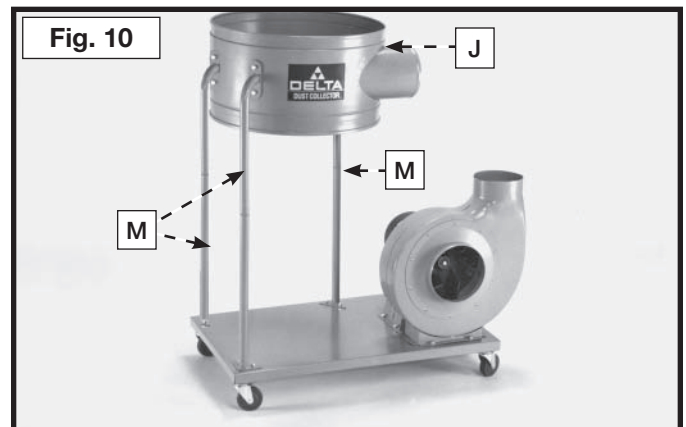
- Assemble the remaining drum supports (F) Fig. 8, to base (A) as shown.



- Assemble "U" bracket (H) Fig. 9, to drum (J). Place a 5/16" flat washer then a 5/16" lockwasher onto a 5/16-18 x 5/8" hex head screw. Insert the hex head screw (K) thru the hole in the "U" bracket and the hole in the drum, thread a 5/16" hex nut onto the hex head screw and tighten securely. Repeat this process for the remaining hole. **NOTE:** "U" bracket should be mounted to the right side of opening (L) in drum as shown.

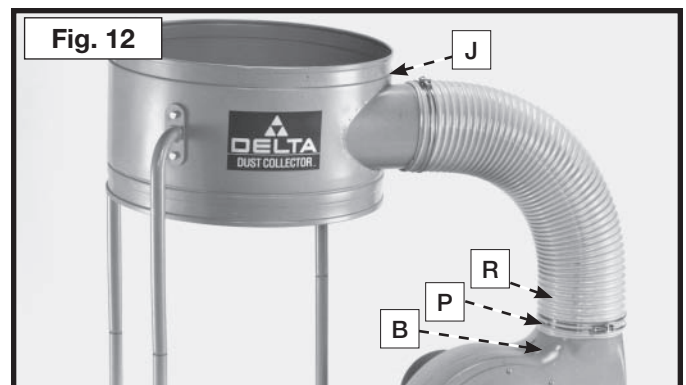
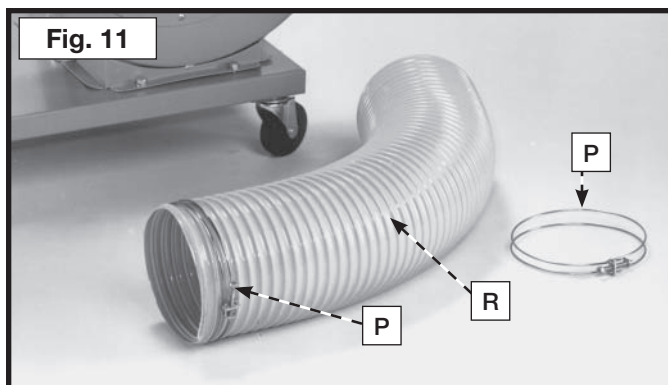


- Align the holes in the drum supports (M) Fig. 10, with the holes in the drum (J). Insert a 5/16-18 x 5/8" hex head screw through hole in drum support and drum. Place 5/16" flat washer and 5/16" lockwasher onto 5/16-18 x 5/8" hex head screw and secure with 5/16" hex nut. Tighten securely. Repeat this process for the remaining drum supports.

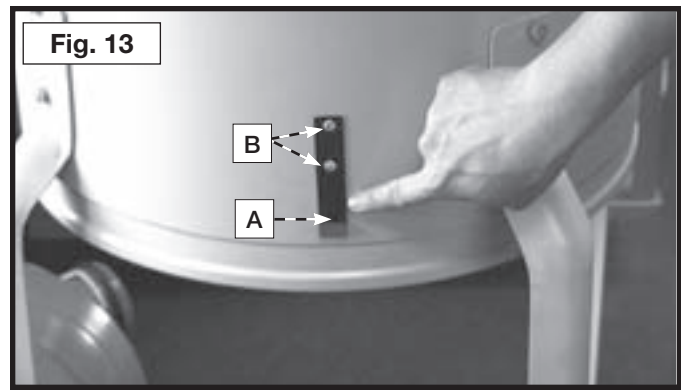


- The dust collector is supplied with two 6" (152 mm) hose clamps (P) Fig. 11. Place one end of 6" (152 mm) dia. flexible hose (R) over blower/motor inlet (B) Fig. 12, and secure with hose clamp (P).

- Place the other 6" (152 mm) hose clamp on flexible hose and attach the other end of the hose to drum (J) Fig. 12 in the same manner.



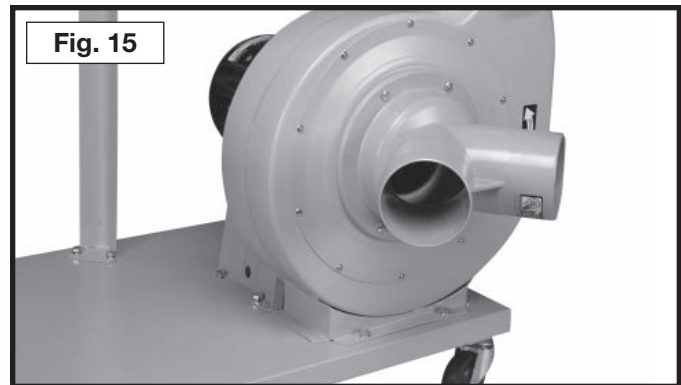
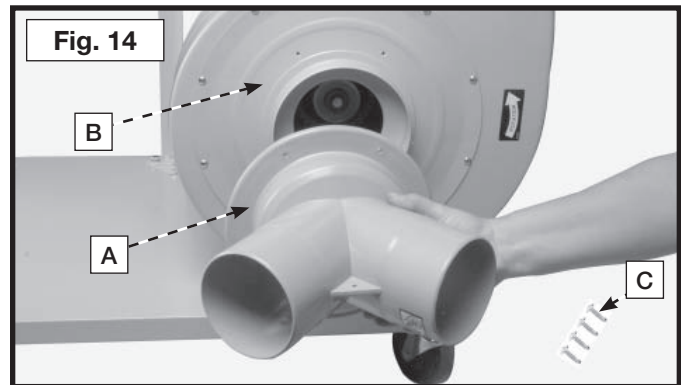
- Attach the lower dust bag retaining clip (A) Fig. 13, to the dust collector drum. Align the two holes (B) in the retaining clip (A) Fig. 13, with the two holes in the drum. Insert a 1/4-20 x 5/8" hex head screw through the holes in the retaining clip and the holes in the drum. Place a 1/4" flat washer onto the screws, and thread 1/4-20 hex nuts on the screws and tighten securely. Repeat this process for the three remaining sides of the drum.



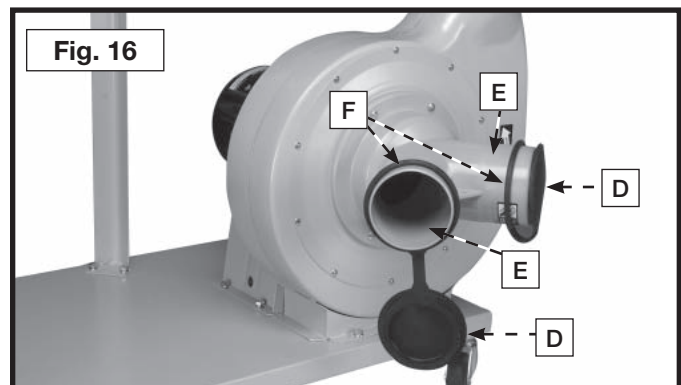
ASSEMBLING DUST INTAKE PORT AND CAPS TO BLOWER AND MOTOR ASSEMBLY

⚠ WARNING: Disconnect the machine from the power source!

- Align the four holes in dust intake port (A) Fig. 14, with the mounting holes in flange (B) of blower and motor assembly and fasten with four sheet metal screws (C). Fig. 15 illustrates the dust intake port assembled to the blower assembly.



- NOTE:** Two dust intake port caps (D) Fig. 16, are supplied with the dust collector. The caps are to be placed into the dust intake ports (E) when the intake ports are not in use.
- Place the collar of dust cap (D) Fig. 16, over the opening on intake port. Press recessed side of dust cap (D) into port opening. **IMPORTANT:** When connecting an intake hose to one or both intake ports, **DO NOT REMOVE THE DUST CAP COLLARS (F) FIG. 16 FROM THE INTAKE PORTS.** Pull the dust cap from the port opening and slide the collar and cap farther onto the port housing.

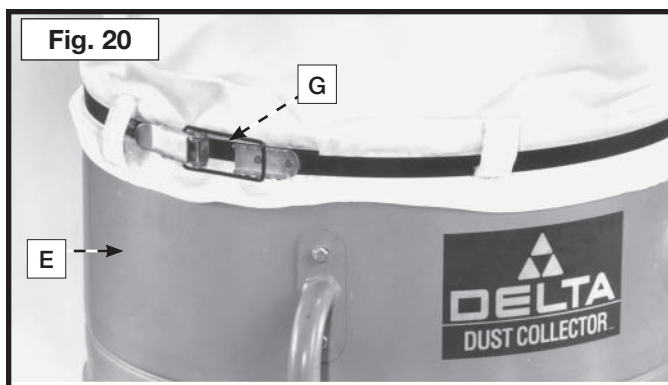
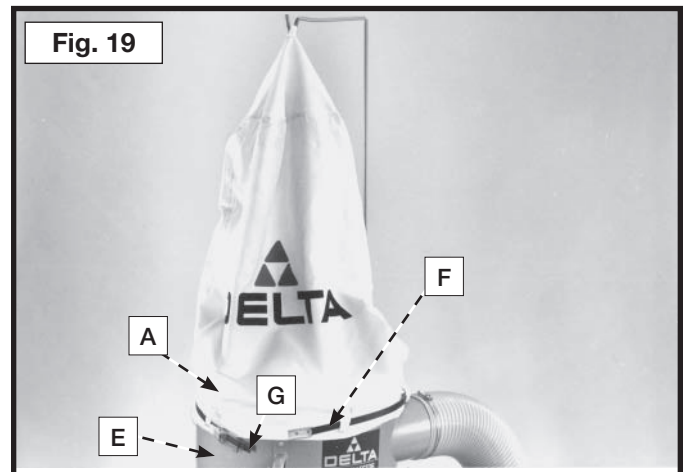
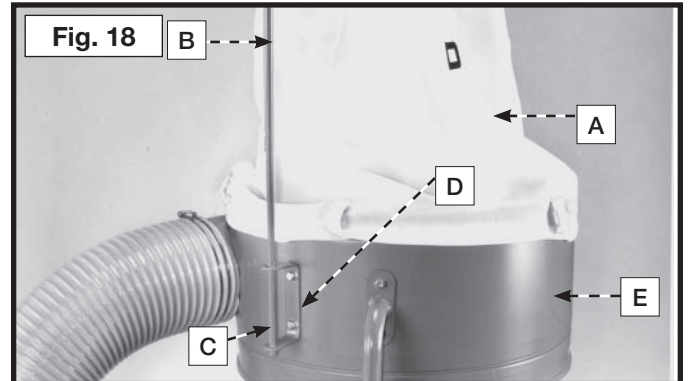
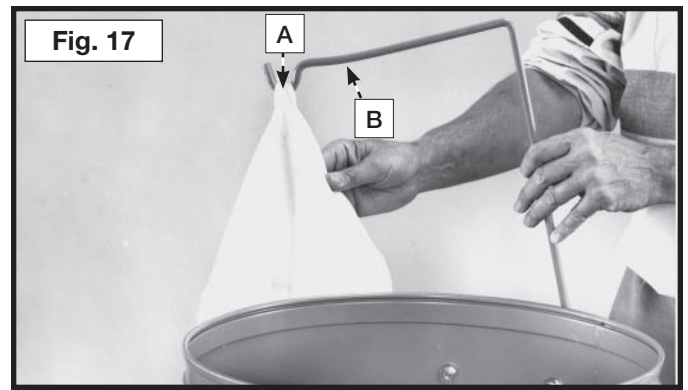


ASSEMBLING FILTER AND DUST COLLECTION BAGS TO DRUM

⚠ WARNING: Disconnect the machine from the power source!

1. Hook the loop on the top of filter bag (A) Fig. 17, onto filter bag support rod (B) as shown.
2. Assemble extension rod (C) Fig. 18, onto the end of filter bag support rod (B). Raise support rods (B) and (C), with filter bag (A) attached and place end of support rod (C) into holes of bracket (D). **NOTE:** Flared end of filter bag extension rod will prevent the rod from sliding through bracket.
3. Position open end of filter bag (A) Fig. 18, over lip of dust drum (E). Insert locking band (F) Fig. 19, through the loops of filter bag (A) and fasten with clamp (G) as shown in Fig. 20. **NOTE:** Make certain locking band is positioned in the channel of drum (F) before fastening clamp.
4. Pull up on each retaining clip (A) Fig. 21, and insert the dust collection bag (B) underneath each retaining clip to hold the dust collection bag in place.
5. Place the locking clamp (C) Fig. 21 around dust collection bag and dust collector drum and lock in place.

NOTE: Make certain locking clamp is positioned in the channel of the dust collector drum before locking clamp.



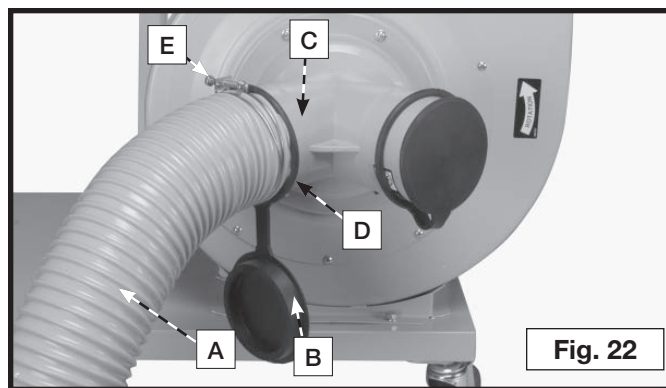
ASSEMBLING DUST INTAKE HOSES TO BLOWER AND MOTOR ASSEMBLY

⚠ WARNING: Keep dust caps installed at all times over intake ports. Remove a dust cap only when a flexible hose is attached to the intake port.

⚠ WARNING: Always disconnect dust collector from the power source before connecting or disconnecting intake hose.

The dust collector is supplied with a 4" (101 mm) dia. flexible dust intake hose.

1. To assemble the intake hose (A) Fig. 22, to the blower assembly, pull the dust cap (B) from the dust intake port (C) and slide the dust cap collar (D) farther onto the dust intake port (C) as shown. **IMPORTANT: DO NOT REMOVE THE INTAKE CAP FROM THE INTAKE PORT.**
2. Place hose clamp (E) Fig. 22, on one end of flexible hose (A) and assemble the hose to dust intake port (C). Tighten hose clamp (E).



Should you wish to operate your dust collector with a second intake hose, contact **CUSTOMER CARE CENTER at 1-800-223-7278** to purchase the hose and install as in **STEPS 1** and **2** above.

Whenever one of the dust intake ports is not in use, always be sure the dust cap is properly installed in the intake port for operator safety.

OPERATION

OPERATIONAL CONTROLS AND ADJUSTMENTS

⚠ WARNING: For operator safety, do not operate the machine with any dust intake holes uncovered. The rotating fan, located inside the blower housing, is accessible through the dust intake port and can be hazardous. Always wear proper apparel. Do not wear jewelry. Keep your fingers and all foreign objects out of the dust intake port. Follow the safety rules in this manual.

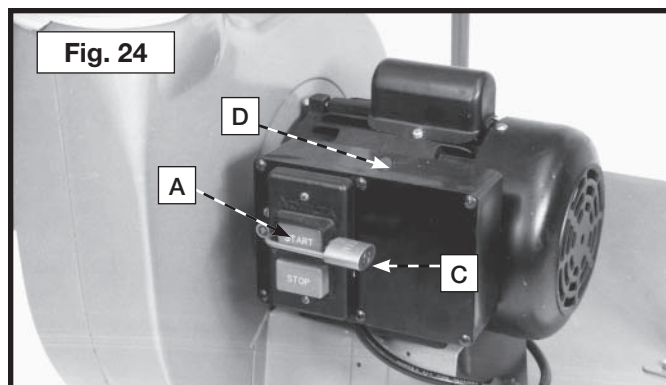
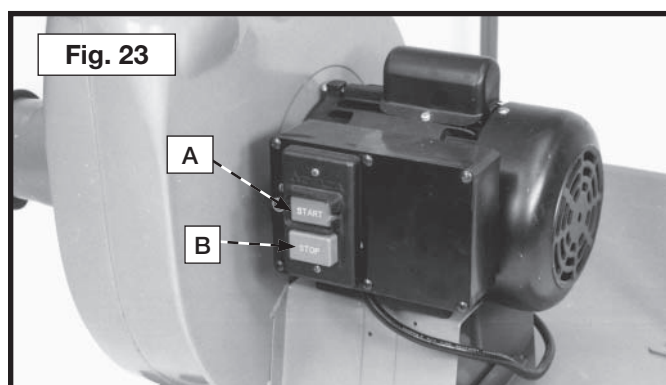
STARTING AND STOPPING THE DUST COLLECTOR

The "ON/OFF" switch is located on the side of the motor. To turn the machine "ON", push the start button (A) Fig. 23. To turn the machine "OFF", push stop button (B).

⚠ WARNING: Make sure that the switch is in the "OFF" position before plugging in the power cord. In the event of a power failure, move the switch to the "OFF" position. An accidental start-up can cause injury.

LOCKING THE SWITCH IN THE "OFF" POSITION

IMPORTANT: When the machine is not in use, the switch should be locked in the "OFF" position to prevent unauthorized use, using a padlock (C) Fig. 24 with a 3/16" (4.8 mm) diameter shackle.



⚠ WARNING: When using this dust collector, do not pick up anything that is burning, smoldering, or smoking (matches, cigarettes, or hot ashes).

⚠ WARNING: Do not use this unit to vacuum combustible explosive materials (coal, grain, or other finely-divided combustible material).

⚠ WARNING: Do not use this unit to vacuum hazardous, toxic, or carcinogenic materials (asbestos, pesticide, or lead-based paint debris).

CIRCUIT BREAKER

Your dust collector motor is supplied with a resettable circuit breaker. If the motor shuts off or fails to start due to an overload condition, turn the dust collector switch "OFF," let the motor cool three to five minutes, and push the reset button (D) Fig. 23, on the circuit breaker to reset the breaker. The motor can then be turned on again in the usual manner. If the overload continues to trip, visit our website at www.deltamachinery.com for a list of service centers or call the DELTA Machinery help line at 1-800-223-7278 (In Canada call 1-800-463-3582).

TROUBLESHOOTING

For assistance with your machine, visit our website at www.deltamachinery.com for a list of service centers or call the DELTA Machinery help line at 1-800-223-7278 (In Canada call 1-800-463-3582).

MAINTENANCE

KEEP THE MACHINE CLEAN

Periodically blow out all air passages with dry compressed air. All plastic parts should be cleaned with a soft damp cloth. NEVER use solvents to clean plastic parts. They could possibly dissolve or otherwise damage the material.

⚠ WARNING: Wear certified safety equipment for eye, hearing and respiratory protection while using compressed air.

FAILURE TO START

Should your machine fail to start, check to make sure the prongs on the cord plug are making good contact in the outlet. Also, check for blown fuses or open circuit breakers in the line.

SERVICE

REPLACEMENT PARTS

Use only identical replacement parts. For a parts list or to order parts, visit our website at servicenet.deltamachinery.com. You can also order parts from your nearest factory-owned branch, or by calling our Customer Care Center at 1-800-223-7278 to receive personalized support from highly-trained technicians.

FREE WARNING LABEL REPLACEMENT

If your warning labels become illegible or are missing, call 1-800-223-7278 for a free replacement.

⚠ WARNING TO REDUCE THE RISK OF INJURY USER MUST READ THE INSTRUCTION MANUAL BEFORE OPERATING DUST COLLECTOR. ALWAYS USE PROPER EYE AND RESPIRATORY PROTECTION. SHOCK HAZARD. DO NOT EXPOSE TO RAIN OR USE IN DAMP LOCATIONS. STORE INDOORS. USE ONLY FOR DRY PICK-UP. LACERATION HAZARD. UNPLUG BEFORE CLEANING OR SERVICING DUST BAGS AND HOSE. DO NOT OPERATE WITHOUT HOSE CONNECTED TO INLET PORT AND BAGS IN PLACE. FIRE/EXPLOSION HAZARD. DO NOT PICK UP OR USE NEAR FLAMMABLE / COMBUSTIBLE LIQUIDS.	⚠ ADVERTENCIA PARA REDUCIR EL RIESGO DE LESIONES, EL USUARIO DEBE LEER EL MANUAL DE INSTRUCCIONES ANTES DE OPERAR EL RECOLECTOR DE POLVO. SIEMPRE UTILICE PROTECCIÓN ADECUADA PARA LOS OJOS Y VÍAS RESPIRATORIAS. RIESGO DE DESCARGA ELÉCTRICA. NO EXPONGA A LA LLUVIA NI UTILICE EN LUGARES HÚMEDOS. GUARDE BAJO TECHO. SÓLO UTILÍCELO PARA RECOGER RESIDUOS SECOS. PELIGRO DE LACERACIÓN. DESENCHUFE LA UNIDAD ANTES DE REALIZAR LA LIMPIEZA Y EL MANTENIMIENTO DE LAS BOLSAS RECOLECTORAS DE POLVO EN SU LUGAR. PELIGRO DE EXPLOSIÓN/INCENDIO. NO RECOJA NI UTILICE CERCA DE LÍQUIDOS INFLAMABLES O COMBUSTIBLES.	⚠ AVERTISSEMENT L'UTILISATEUR DOIT LIRE LE MODE D'EMPLOI AVANT D'UTILISER LE DÉPOUSSIÉREUR AFIN DE RÉDUIRE LE RISQUE DE BLESSURE. TOUJOURS UTILISER UNE PROTECTION OCULAIRE ET RESPIRATOIRE ADEQUATE. RISQUE D'ÉLECTROCUTION. NE PAS EXPOSER L'APPAREIL À LA PLUIE NI L'UTILISER DANS UN ENDROIT HUMIDE. LE RANGER À L'INTÉRIEUR. CONÇU UNIQUEMENT POUR LE RAMASSAGE DE MATIÈRES SÈCHES. RISQUE DE LACÉRATION. DÉBRANCHER AVANT TOUT NETTOYAGE OU ENTRETIEN DES SACS À POUSSIÈRE DE L'APPAREIL. RISQUE D'EXPLOSION OU D'INCENDIE. NE PAS ASPIRER DE LIQUIDES INFLAMMABLES OU COMBUSTIBLES OU UTILISER LE DÉPOUSSIÉREUR PRÈS DE CEUX-CI.
⚠ CAUTION COLLECT WOOD MATERIALS ONLY. NEVER USE THE COLLECTOR TO PICK UP METAL SHAVINGS, DUST, OR PARTS.	⚠ PRECAUCIÓN RECOJA MATERIALES DE MADERA SOLAMENTE. NUNCA UTILICE EL RECOLECTOR PARA RECOGER RECORTES, POLVO O PIEZAS DE METAL.	⚠ ATTENTION ASPIRER UNIQUEMENT DES MATIÈRES EN BOIS. NE JAMAIS UTILISER LE DÉPOUSSIÉREUR POUR L'ASPIRATION DE COPEAUX, POUSSIÈRES OU MORCEAUX DE MÉTAUX.

SERVICE AND REPAIRS

All quality tools will eventually require servicing and/or replacement of parts. For information about Delta Machinery, its factory-owned branches, or an Authorized Warranty Service Center, visit our website at www.deltamachinery.com or call our Customer Care Center at 1-800-223-7278. All repairs made by our service centers are fully guaranteed against defective material and workmanship. We cannot guarantee repairs made or attempted by others.

You can also write to us for information at Delta Machinery, 4825 Highway 45 North, Jackson, Tennessee 38305 - Attention: Product Service. Be sure to include all of the information shown on the nameplate of your tool (model number, type, serial number, etc.)

ACCESSORIES

A complete line of accessories is available from your Delta Supplier, Porter-Cable • Delta Factory Service Centers, and Delta Authorized Service Stations. Please visit our Web Site www.deltamachinery.com for a catalog or for the name of your nearest supplier.

⚠ WARNING: Since accessories other than those offered by Delta have not been tested with this product, use of such accessories could be hazardous. For safest operation, only Delta recommended accessories should be used with this product.

WARRANTY

To register your tool for warranty service visit our website at www.deltamachinery.com.

Two Year Limited New Product Warranty

Delta will repair or replace, at its expense and at its option, any new Delta machine, machine part, or machine accessory which in normal use has proven to be defective in workmanship or material, provided that the customer returns the product prepaid to a Delta factory service center or authorized service station with proof of purchase of the product within two years and provides Delta with reasonable opportunity to verify the alleged defect by inspection. For all refurbished Delta product, the warranty period is 180 days. Delta may require that electric motors be returned prepaid to a motor manufacturer's authorized station for inspection and repair or replacement. Delta will not be responsible for any asserted defect which has resulted from normal wear, misuse, abuse or repair or alteration made or specifically authorized by anyone other than an authorized Delta service facility or representative. Under no circumstances will Delta be liable for incidental or consequential damages resulting from defective products. This warranty is Delta's sole warranty and sets forth the customer's exclusive remedy, with respect to defective products; all other warranties, express or implied, whether of merchantability, fitness for purpose, or otherwise, are expressly disclaimed by Delta.

LES INSTRUCTIONS IMPORTANTES DE SURETE

⚠ AVERTISSEMENT : Lire et comprendre toutes instructions d'avertissements et opération avant d'utiliser n'importe quel outil ou n'importe quel équipement. En utilisant les outils ou l'équipement, les précautions de sûreté fondamentales toujours devraient être suivies pour réduire le risque de blessure personnelle. L'opération déplacée, l'entretien ou la modification d'outils ou d'équipement ont pour résultat la blessure sérieux et les dommages de propriété. Il y a de certaines applications pour lequel outils et l'équipement sont conçus. La Delta Machinery recommande avec force que ce produit n'ait pas modifié et/ou utilisé pour l'application autrement que pour lequel il a été conçu.



Si vous avez n'importe quelles questions relatives à son application n'utilisent pas le produit jusqu'à ce que vous avez écrit Delta Machinery et nous vous avons conseillé. La forme en ligne de contact à www.deltamachinery.com
Courrier Postal: Technical Service Manager, Delta Machinery, 4825 Highway 45 North, Jackson, TN 38305. Dans Canada, 125 Mural St. Suite 300, Richmond Hill, ON, L4B 1M4.

Information en ce qui concerne l'opération sûre et correcte de cet outil est disponible des sources suivantes:

- Power Tool Institute, 1300 Sumner Avenue, Cleveland, OH 44115-2851 ou en ligne www.powertoolinstitute.org
- National Safety Council, 1121 Spring Lake Drive, Itasca, IL 60143-3201
- American National Standards Institute, 25 West 43rd Street, 4 floor, New York, NY 10036 www.ansi.org - ANSI O1.1 Safety Requirements for Woodworking Machines
- U.S. Department of Labor regulations www.osha.gov

MESURES DE SÉCURITÉ - DÉFINITIONS

Ce guide contient des renseignements importants que vous deviez bien saisir. Cette information porte sur **VOTRE SÉCURITÉ** et sur **LA PRÉVENTION DE PROBLÈMES D'ÉQUIPEMENT**. Afin de vous aider à identifier cette information, nous avons utilisé les symboles ci-dessous. Veuillez lire attentivement ce guide en portant une attention particulière à ces sections.

⚠ DANGER : Indique un danger imminent qui, s'il n'est pas évité, causera de graves blessures ou la mort.

⚠ AVERTISSEMENT : Indique la possibilité d'un danger qui, s'il n'est pas évité, pourrait causer de graves blessures ou la mort.

⚠ ATTENTION : Indique la possibilité d'un danger qui, s'il n'est pas évité, peut causer des dommages à la propriété.

ATTENTION : Sans le symbole d'alerte. Indique la possibilité d'un danger qui, s'il n'est pas évité, peut causer des dommages; mineures ou moyennes.

LA PROPOSITION DE CALIFORNIE 65

⚠ AVERTISSEMENT : La poussière produite par le ponçage électrique le sciage, le meulage, le perçage et autres activités de construction peut contenir des produits chimiques qui sont reconnus, par l'état de la Californie, de causer le cancer, les anomalies congénitales ou autres maux de reproduction. Ces produits chimiques comprennent, entre autres :

- le plomb provenant des peintures à base de plomb;
- la silice cristalline provenant de briques, de béton ou d'autres produits de maçonnerie
- l'arsenic et le chrome provenant du bois de charpente traité chimiquement

Le risque d'exposition à ces produits dépend de la fréquence d'exécution de ce genre de travaux. Afin de réduire l'exposition à ces produits chimiques, travaillez dans un endroit bien aéré et utilisez de l'équipement de sécurité approuvé, portez toujours un masque facial ou respirateur homologué **MSHA/NIOSH** bien ajusté lorsque vous utilisez de tels outils.

CONSERVEZ CES INSTRUCTIONS!

RÈGLES DE SÉCURITÉ GÉNÉRALES

▲ AVERTISSEMENT : L'inobservation de ces règles peut conduire à des blessures graves.

- 1. POUR SA SÉCURITÉ PERSONNELLE, LIRE LA NOTICE D'UTILISATION, AVANT DE METTRE LA MACHINE EN MARCHÉ,** et pour aussi apprendre l'application et les limites de la machine ainsi que les risques qui lui sont particuliers ainsi, les possibilités d'accident et de blessures seront beaucoup réduites.
- 2. PORTEZ DES DISPOSITIFS DE PROTECTION DES YEUX ET DE L'OUÏE. UTILISEZ TOUJOURS DES LUNETTES DE SÉCURITÉ.** Des lunettes ordinaires ne constituent PAS des lunettes de sécurité. **UTILISEZ DES ÉQUIPEMENTS DE SÛRETÉ HOMOLOGUÉS.** Les dispositifs de protection des yeux doivent être conformes aux normes ANSI Z87.1. Les dispositifs de protection de l'ouïe doivent être conformes aux normes ANSI S3.19.
- 3. PORTER UNE TENUE APPROPRIÉE.** Pas de cravates, de gants, ni de vêtements amples. Enlever montre, bagues et autres bijoux. Rouler les manches. Les vêtements ou les bijoux qui se trouvent pris dans les pièces mobiles peuvent entraîner des blessures.
- 4. NE PAS UTILISER LA MACHINE DANS UN ENVIRONNEMENT DANGEREUX.** L'utilisation d'outils électriques dans des endroits humides ou sous la pluie peut entraîner des décharges électriques ou une électrocution. Garder la zone de travail bien éclairée pour éviter de trébucher ou d'exposer les doigts, les mains ou les bras à une situation dangereuse.
- 5. GARDER LES OUTILS ET LES MACHINES EN PARFAIT ÉTAT.** Garder les outils affûtés et propres afin d'obtenir le meilleur et le plus sûr rendement. Suivre les instructions pour lubrifier et changer les accessoires. Les outils et les machines mal entretenus peuvent se dégrader davantage, et/ou entraîner des blessures.
- 6. INSPECTER LES PIÈCES POUR DÉCELER TOUT DOMMAGE.** Avant d'utiliser la machine, la vérifier pour voir s'il n'y a pas de pièces endommagées. Vérifier l'alignement des pièces mobiles et si ces pièces ne se coincent pas, la rupture de pièces, ou toute autre condition pouvant en affecter le fonctionnement. Toute pièce ou protecteur endommagé doit être réparé ou remplacé. Les pièces endommagées peuvent dégrader davantage la machine et/ou entraîner des blessures.
- 7. GARDER L'AIRE DE TRAVAIL PROPRE.** Les zones et établis encombrés favorisent les accidents.
- 8. GARDER LES ENFANTS ET LES VISITEURS À DISTANCE.** L'atelier est un lieu potentiellement dangereux. Les enfants et les visiteurs peuvent se blesser.
- 9. ÉVITER LE DÉMARRAGE ACCIDENTEL.** S'assurer que l'interrupteur est sur « OFF » (ARRÊT) avant de brancher le cordon. En cas de coupure de courant, placer l'interrupteur à la position « OFF » (ARRÊT). Un démarrage accidentel peut entraîner des blessures.
- 10. UTILISER LES DISPOSITIFS PROTECTEURS.** Vérifier que tous les dispositifs protecteurs sont bien en place, bien fixés et en bon état de marche pour éviter les blessures.
- 11. ENLEVER LES CLÉS DE RÉGLAGE ET CELLES DE SERRAGE AVANT DE METTRE LA MACHINE EN MARCHÉ.** Les outils, les chutes et les autres débris peuvent être projetés violemment et blesser.
- 12. UTILISER LA BONNE MACHINE.** Ne pas forcer la machine ou l'accessoire à faire un travail pour lequel il n'a pas été conçu. Des dommages à la machine et/ou des blessures pourraient s'ensuivre.
- 13. UTILISER LES ACCESSOIRES RECOMMANDÉS.** L'utilisation d'accessoires non recommandés par Delta peut endommager la machine et blesser l'utilisateur.
- 14. UTILISER LE CORDON PROLONGATEUR APPROPRIÉ.** S'assurer que le cordon prolongateur est en bon état. Lorsqu'un cordon prolongateur est utilisé, s'assurer que celui-ci est d'un calibre suffisant pour l'alimentation nécessaire à la machine. Un cordon d'un calibre insuffisant entraînera une perte de tension d'où une perte de puissance et surchauffe. Voir le tableau sur les cordons prolongateurs pour obtenir le calibre approprié selon la longueur du cordon et l'ampérage de la machine. S'il y a un doute, utiliser un cordon d'un calibre supérieur. Plus le **chiffre est petit, plus le fil est gros.**
- 15. FIXER LA PIÈCE.** Utilisez les brides ou l'étau quand vous ne pouvez pas fixer l'objet sur la table et contre la barrière à la main ou quand votre main sera dangereusement près de la lame (à moins de 6").
- 16. AVANCER LA PIÈCE DANS LE SENS CONTRAIRE À LA ROTATION DE LA LAME, DE LA FRAISE OU DE LA SURFACE ABRASIVE.** L'alimentation dans l'autre sens peut entraîner une projection violente de la pièce.
- 17. NE PAS FORCER LA MACHINE EN AVANÇANT LA PIÈCE TROP VITE.** Des dommages et/ou des blessures peuvent s'ensuivre.
- 18. NE PAS SE PENCHER AU-DESSUS DE LA MACHINE.** Une perte de l'équilibre peut entraîner une chute sur la machine en marche et causer des blessures.
- 19. NE JAMAIS MONTER SUR LA MACHINE.** On peut se blesser gravement si la machine bascule ou si l'on touche accidentellement son outil tranchant.
- 20. NE JAMAIS LAISSER LA MACHINE EN MARCHÉ SANS SURVEILLANCE. COUPER LE COURANT.** Ne pas quitter la machine tant qu'elle n'est pas complètement arrêtée. Un enfant ou un visiteur pourrait se blesser.
- 21. METTRE LA MACHINE À L'ARRÊT « OFF » ET LA DÉBRANCHER** avant d'installer ou d'enlever des accessoires, d'ajuster ou de changer des montages, ou lors des réparations. Un démarrage accidentel peut entraîner des blessures.
- 22. METTRE L'ATELIER À L'ABRI DES ENFANTS AU MOYEN DE CADENAS, D'INTERRUPTEURS PRINCIPAUX OU EN ENLEVANT LES BOUTONS DES DISPOSITIFS DE MISE EN MARCHÉ.** Le démarrage accidentel de la machine par un enfant ou un visiteur peut entraîner des blessures.
- 23. RESTER VIGILANT, ATTENTIF, ET FAIRE PREUVE DE BON SENS. NE PAS UTILISER LA MACHINE LORSQUE L'ON EST FATIGUÉ OU SOUS L'INFLUENCE DE DROGUES, D'ALCOOL OU DE MÉDICAMENTS.** Un instant d'inattention lors de l'utilisation d'outils électriques peut entraîner des blessures graves.
- 24. ▲ AVERTISSEMENT :** L'UTILISATION DE CET OUTIL PEUT PRODUIRE ET DISPERSER DE LA POUSSIÈRE OU D'AUTRES PARTICULES EN SUSPENSION DANS L'AIR, TELLES QUE LA SCIURE DE BOIS, LA POUSSIÈRE DE SILICIUM CRISTALLIN ET LA POUSSIÈRE D'AMIANTE. Dirigez les particules loin du visage et du corps. Faites toujours fonctionner l'outil dans un espace bien ventilé et prévoyez l'évacuation de la poussière. Utilisez un système de dépoussiérage chaque fois que possible. L'exposition à la poussière peut causer des problèmes de santé graves et permanents, respiratoires ou autres, tels que la silicose (une maladie pulmonaire grave) et le cancer, et même le décès de la personne affectée. Évitez de respirer de la poussière et de rester en contact prolongé avec celle-ci. En laissant la poussière pénétrer dans vos yeux ou votre bouche, ou en la laissant reposer sur votre peau, vous risquez de promouvoir l'absorption de substances toxiques. Portez toujours des dispositifs de protection respiratoire homologués par NIOSH/OSHA, appropriés à l'exposition à la poussière et de taille appropriée, et lavez à l'eau et au savon les surfaces de votre corps qui ont été exposées.

RÈGLES SPÉCIFIQUES ADDITIONNELLES DE SÛRETÉ

⚠ AVERTISSEMENT : L'inobservation de ces règles peut conduire à des blessures graves.

⚠ AVERTISSEMENT : L'inobservation de ces règles peut conduire à des blessures graves.

⚠ AVERTISSEMENT : **NE PAS UTILISER CET APPAREIL POUR FILTRER LA POUSSIÈRE DE MÉTAL.** La combinaison de poussières de bois et de métal peut créer un risque d'explosion ou d'incendie. Cet appareil est conçu pour filtrer dans des milieux non déflagrants.

⚠ AVERTISSEMENT : **NE PAS UTILISER CET APPAREIL POUR DISSIPER DES VAPEURS OU DE LA FUMÉE.** Cela peut se solder par des explosions ou un incendie. Le présent dépoussiéreur est conçu pour une utilisation seulement en présence de poussières sèches en suspension. Limiter l'utilisation à des milieux non déflagrants exempts de métaux

1. **NE PAS UTILISER L'APPAREIL AVANT QU'IL NE SOIT ENTIÈREMENT ASSEMBLÉ ET INSTALLÉ CONFORMÉMENT AUX DIRECTIVES.** Un appareil mal assemblé peut provoquer des blessures.
2. **DEMANDER CONSEIL À UN SUPERVISEUR, INSTRUCTEUR, OU TOUTE AUTRE PERSONNE QUALIFIÉE** si l'on ne maîtrise pas parfaitement l'utilisation de l'appareil. La connaissance est synonyme de sécurité
3. **SUIVRE TOUS LES CODES DE CÂBLAGE** et les connexions électriques recommandées afin d'éviter tout choc électrique ou électrocution.
4. **NE PAS TIRER SUR L'APPAREIL PAR LE CORDON D'ALIMENTATION.** Éloigner le cordon d'alimentation d'accessoires ou bords tranchants, de surfaces chaudes, d'huile ou de graisse. Ne pas déposer d'objets lourds sur le cordon d'alimentation. Un cordon d'alimentation endommagé risque de provoquer un choc électrique ou une électrocution.
5. **APPUYER L'APPAREIL OU LE FIXER SOLIDEMENT AVEC UN SERRE-JOINT À LA SURFACE DE TRAVAIL LORS D'UNE UTILISATION COMME ACCESSOIRE PORTATIF** pour empêcher une blessure éventuelle et/ou des dommages des suites d'une chute.
6. **S'ASSURER QUE LES ORIFICES D'ADMISSION ET D'ÉVACUATION SONT LIBRES AVANT DE DÉMARRER L'APPAREIL.** Un orifice d'admission ou d'évacuation obstrué risque de provoquer une explosion et/ou un incendie.

7. **NE PAS UTILISER LE DÉPOUSSIÉREUR** pour ramasser des liquides inflammables comme l'essence. Ne pas utiliser le dépoussiéreur près de liquides inflammables ou combustibles. Cela peut se solder par une explosion et/ou un incendie.
8. **ÉLOIGNER LES BRAS, MAINS, ET DOIGTS DU VENTILATEUR.** Éviter tout contact avec des pièces mobiles pour empêcher des blessures.
9. **NE PAS UTILISER L'APPAREIL SANS LE SAC COLLECTEUR DE POUSSIÈRE EN PLACE ET BIEN FIXÉ.** La sciure et autres débris peuvent créer un risque potentiel d'incendie et/ou d'explosion ainsi que des problèmes respiratoires.
10. **INSPECTER LE SAC À POUSSIÈRE POUR TOUTE TRACE DE COUPURES OU DÉCHIRURES.** Remplacer les sacs ou tuyaux d'aspirateur endommagés. La sciure et autres débris peuvent créer un risque potentiel d'incendie et/ou d'explosion ainsi que des problèmes respiratoires.
11. **TOUJOURS INSTALLER DES CAPUCHONS D'ADMISSION SUR LES ORIFICES INUTILISÉS.** Les débris risquent d'endommager l'appareil et de provoquer une blessure.
12. **NE PAS ESSAYER DE RETIRER OU DE REMPLACER** le ou les sacs collecteurs de poussière alors que l'appareil est branché à la prise. Des pales de ventilateur exposées peuvent provoquer de graves blessures.
13. **MAINTENIR L'APPAREIL EN EXCELLENTE CONDITION.** Des filtres bouchés peuvent accroître le potentiel d'incendie ou d'explosion. Suivre toutes les directives pour le changement et les nettoyage de filtres.
14. **ENTREPOSER L'APPAREIL DANS UN ENDROIT** qui élimine le risque de dommages potentiels au cordon d'alimentation. Un cordon d'alimentation endommagé risque de provoquer un choc ou une électrocution. Ranger le cordon d'alimentation de façon sécuritaire pour empêcher le risque de trébuchement.
15. **ÉTEINDRE L'APPAREIL ET LE DÉBRANCHER** avant d'installer ou de retirer tout accessoire, avant d'ajuster ou de modifier les réglages, ou lors de réparations. Un démarrage accidentel peut provoquer des blessures graves.
16. **ÉTEINDRE L'APPAREIL,** le débrancher, et nettoyer la table/l'espace de travail avant de quitter la zone.

CONSERVER CES DIRECTIVES.

Les consulter souvent et les utiliser pour donner des directives aux autres.

RACCORDEMENTS ÉLECTRIQUES

Un circuit électrique séparé doit être utilisé pour les machines. Ce circuit doit utiliser un câble de calibre 12 au minimum et doit être protégé par un fusible temporisé. **REMARQUE :** les fusibles temporisés devraient avoir l'inscription « D » au Canada et « T » aux É.-U. Si on utilise un cordon prolongateur, ce cordon doit être à trois fils, avoir une fiche à trois broches et une prise de courant à trois cavités, mise à la terre qui correspond à la fiche de la machine. Avant debrancher la machine, s'assurer que l'interrupteur (les interrupteurs) se trouve(nt) en position « OFF » (ARRÊT) et que le courant électrique présente les mêmes caractéristiques que celles qui sont inscrites sur la machine. Toutes les connexions électriques doivent établir un bon contact. Le fonctionnement sur une basse tension endommagera la machine.

⚠ DANGER : NE PAS EXPOSER LA MACHINE À LA PLUIE, ET NE PAS L'UTILISER DANS DES ENDROITS HUMIDES.

SPÉCIFICATIONS DU MOTEUR

Cette machine est câblée pour un fonctionnement sur un courant alternatif de 120 or 240 volts 60 Hz. Avant de brancher la machine, s'assurer que l'interrupteur se trouve à la position « OFF » (ARRÊT).

INSTRUCTIONS DE MISE À LA TERRE

⚠ DANGER : Cette machine doit être mise à la terre pendant son emploi, afin de protéger l'utilisateur des décharges électriques

1. **Toutes les machines avec cordon mis à la terre:** Dans l'éventualité d'un mauvais fonctionnement ou d'une panne, la mise à la terre fournit un trajet de moindre résistance permettant de réduire le risque de décharge électrique. Cette machine est dotée d'un cordon électrique possédant un conducteur de mise à la terre de l'équipement ainsi que d'une fiche mise à la terre. La fiche doit être branchée dans une prise de courant correspondante, installée de façon adéquate et mise à la terre conformément à tous les codes et règlements locaux.

Ne pas modifier la fiche fournie - si elle ne s'adapte pas à la prise de courant, il faut faire installer une prise de courant convenable par un électricien compétent.

Un mauvais raccordement du conducteur de mise à la terre de l'équipement peut entraîner un risque de décharge électrique. Le conducteur possédant un isolant avec surface extérieure de couleur verte, avec ou sans rayures jaunes, est le conducteur de mise à la terre de l'équipement. Si une réparation ou un remplacement du cordon électrique s'avère nécessaire, ne pas brancher le conducteur de mise à la terre de l'équipement à une borne sous tension.

Consulter un électricien compétent ou le personnel de service après-vente si on ne comprend pas entièrement les instructions de mise à la terre, ou si l'on doute que la machine soit correctement mise à la terre.

Utiliser seulement des cordons prolongateurs à trois fils dotés d'une fiche mise à la terre, à trois broches, et de prises à trois cavités convenant à la fiche de la machine, comme l'illustre la figure A.

Réparer ou remplacer sans délai tout cordon endommagé ou usé.

2. **Machines avec cordon mis à la terre prévues pour une utilisation sur une alimentation nominale inférieure à 150 volts :** Si cette machine est prévue pour être utilisée sur un circuit qui comporte une prise semblable à celle illustrée à la figure A, la machine devra comporter une fiche mise à la terre semblable à celle illustrée à la figure A. Un adaptateur temporaire semblable à celui illustré à la figure B, peut être utilisé pour raccorder cette fiche à une prise à deux cavités comme celle illustrée à la figure B, si une prise correctement mise à la terre n'est pas disponible. L'adaptateur temporaire ne doit être utilisé que jusqu'au moment où une prise correctement mise à la terre est installée par un électricien compétent. L'oreiller rigide ou autre dispositif semblable de couleur verte, sur le dessus de l'adaptateur, doit être connecté sur une mise à la terre permanente comme, par exemple une boîte à prises correctement mise à la terre. Quand un adaptateur est utilisé, celui-ci doit être retenu en place par une vis en métal.

REMARQUE: Au Canada, le Code canadien de l'électricité ne permet pas l'emploi d'un adaptateur temporaire.

⚠ DANGER : Dans tous les cas, s'assurer que la prise en question est bien mise à la terre. Dans le doute, demander à un électricien compétent de vérifier la prise.

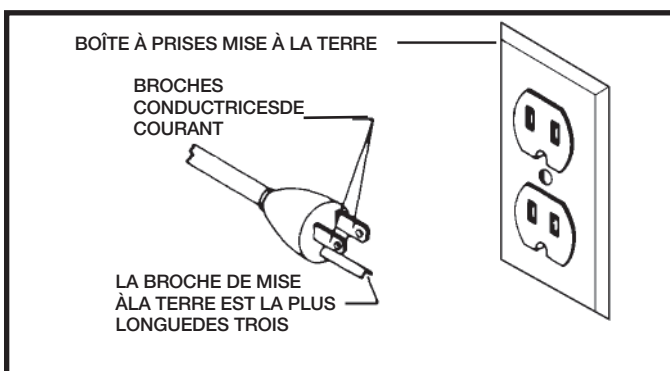


Fig. A

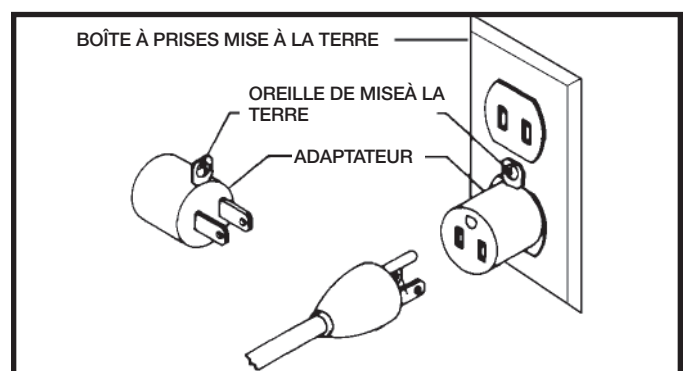


Fig. B

3. FONCTIONNEMENT MONOPHASÉ À 240 VOLTS

Le moteur fourni avec la machine est un moteur bitension de 120/240 volts. Il est livré, prêt à fonctionner, sous tension de 120 volts. Toutefois, il peut être converti au fonctionnement sous 240 volts.

Un électricien professionnel devrait effectuer la conversion ou utiliser les services d'un centre de réparations agréé Delta. Suite à la conversion, la machine doit être conforme au Code électrique national et à tous les codes et à toutes les ordonnances à l'échelle locale.

La conversion exige un recâblage du moteur pour 240 volts grâce à l'installation d'une fiche de 240 volts sur le cordon d'alimentation et le remplacement de l'interrupteur (le cas échéant) avec un autre homologué pour un fonctionnement à 240 volts.

S'assurer que la fiche de 240 volts s'insère seulement dans une prise ayant la même configuration que la fiche illustrée à la fig. C. N'utiliser aucun adaptateur avec une fiche de 240 volts.

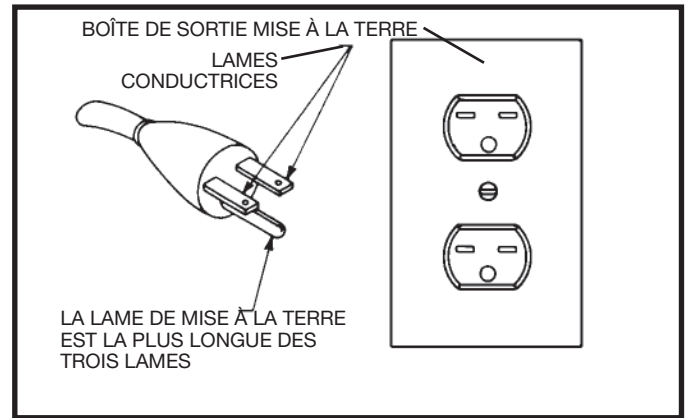


Fig. C

⚠ AVERTISSEMENT : DANS TOUS LES CAS, S'ASSURER QUE LA FICHE EN QUESTION EST MISE À LA TERRE ADÉQUATEMENT. EN CAS DE DOUTES, DEMANDER À UN ÉLECTRICIEN PROFESSIONNEL DE VÉRIFIER LA PRISE.

CORDON DE RALLONGE

⚠ AVERTISSEMENT : Employez les cordes appropriées de prolongation. S'assurent votre corde de prolongation est en bon état. En utilisant une corde de prolongation, soyez sûr d'employer un assez lourd pour porter le courant de la machine. Une corde trop petite causera une baisse dans la tension secteur, ayant pour résultat la perte de puissance et de surchauffe. Fig. D-1 or D-2, expositions la mesure correcte à employer selon la longueur de corde. En cas de doute, utilisez la prochaine mesure plus lourde. Plus le nombre de mesure est petit, plus la corde est lourde.

MESUR MINIMUM DE CORDE D'EXTENSION			
TAILLES RECOMMANDÉES POUR L'USAGE AVEC STATIONNAIRES ÉLECTRIQUES LES OUTILS			
Estimation pere	Volts	Longueur Totale De Corde En Pieds	Mesure De Corde D'Am D'Extension
0-6	120	up to 25	18 AWG
0-6	120	25-50	16 AWG
0-6	120	50-100	16 AWG
0-6	120	100-150	14 AWG
6-10	120	up to 25	18 AWG
6-10	120	25-50	16 AWG
6-10	120	50-100	14 AWG
6-10	120	100-150	12 AWG
10-12	120	up to 25	16 AWG
10-12	120	25-50	16 AWG
10-12	120	50-100	14 AWG
10-12	120	100-150	12 AWG
12-16	120	up to 25	14 AWG
12-16	120	25-50	12 AWG
12-16	120	50 PI PLUS GRANDS QUE NON RECOMMANDES	

Fig. D-1

MESUR MINIMUM DE CORDE D'EXTENSION			
TAILLES RECOMMANDÉES POUR L'USAGE AVEC STATIONNAIRES ÉLECTRIQUES LES OUTILS			
Estimation pere	Volts	Longueur Totale De Corde En Pieds	Mesure De Corde D'Am D'Extension
0-6	240	up to 50	18 AWG
0-6	240	50-100	16 AWG
0-6	240	100-200	16 AWG
0-6	240	200-300	14 AWG
6-10	240	up to 50	18 AWG
6-10	240	50-100	16 AWG
6-10	240	100-200	14 AWG
6-10	240	200-300	12 AWG
10-12	240	up to 50	16 AWG
10-12	240	50-100	16 AWG
10-12	240	100-200	14 AWG
10-12	240	200-300	12 AWG
12-16	240	up to 50	14 AWG
12-16	240	50-100	12 AWG
12-16	240	50 PI PLUS GRANDS QUE NON RECOMMANDES	

Fig. D-2

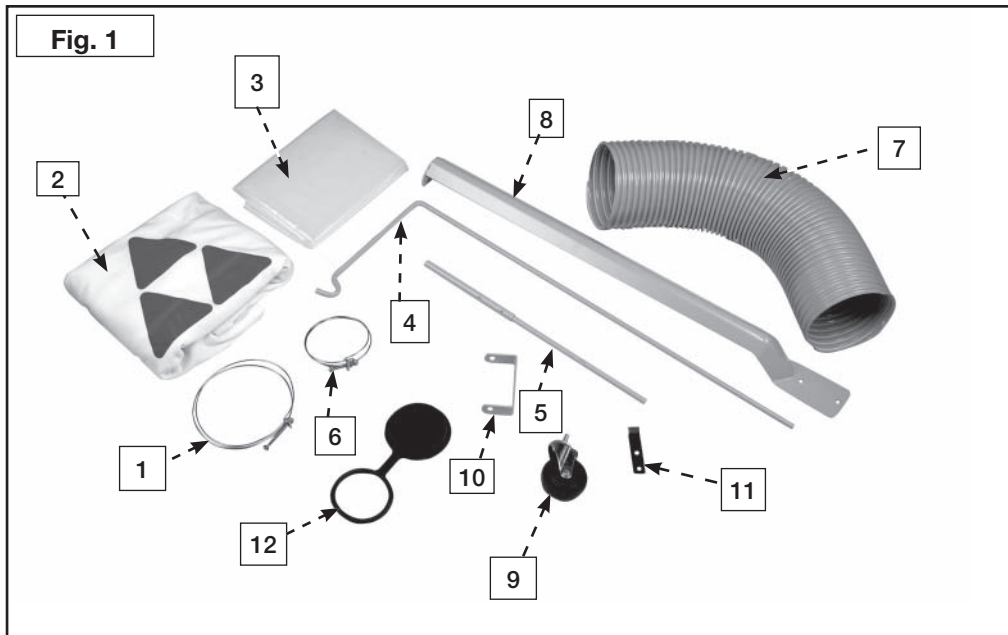
DESCRIPTION FONCTIONNELLE

AVANT-PROPOS

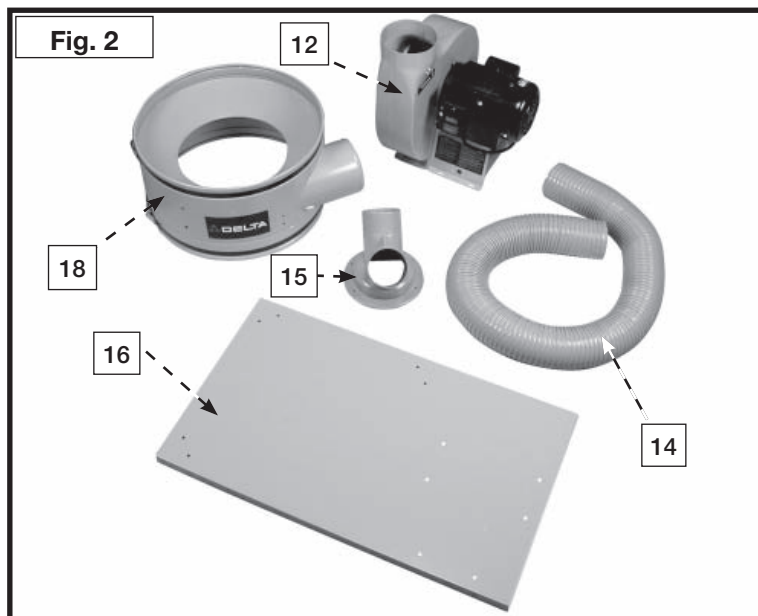
Le dépoussiéreur, modèle 50-850, se raccorde à toute machine du travail du bois qui utilise un tuyau de 101,6 mm (4 po) de diamètre. Le modèle 50-850 est livré avec un sac filtrant de 5 micromètres, un sac collecteur en plastique de 152,4 micromètres (6 mils) et un tuyau collecteur de 101,6 mm x 1 524 mm (4 po x 5 pi).

REMARQUE: La schéma de la couverture du mode d'emploi illustre le modèle de production actuel. Les autres illustrations de ce mode d'emploi ne sont présentes qu'à titre indicatif et il est possible que les étiquettes et accessoires actuels diffèrent des caractéristiques réelles de ce modèle. Ces illustrations ont uniquement pour but d'illustrer la technique.

CONTENUS DE BOITE



- | | |
|---|---|
| 1. Courroies de serrage pour le sac-filtre et les sacs à poussières | 7. Tuyau flexible de 152 mm (6 po) |
| 2. Sac-filtre | 8. (3) supports de tambour |
| 3. Sac à poussière | 9. (4) roulettes (rondelles de blocage de 3/8 po, écrous hexagonaux de 3/8 -16) |
| 4. Tige de soutien pour le sac-filtre | 10. Support en « U » pour la tige de soutien du sac-filtre |
| 5. Rallonge | 11. (4) clips de retenue du sac à poussière inférieur |
| 6. (2) tendeurs | 12. (2) capuchons de goulotte |



- | | |
|--|--|
| 13. Bride de fixation | • (8) écrous hexagonaux de 5/16-18 |
| 14. Tuyau flexible de 101 mm (4 po) | • (8) rondelles plates de 5/16 po x 7/8 po de diamètre externe |
| 15. Goulotte d'admission | • (4) vis à tôle #8 |
| 16. Base | • (8) vis à tête hexagonale 1/4-20 x 5/8 po |
| 17. Module moteur-souffleur | • (8) rondelles de blocage de 1/4 po |
| 18. Tambour | • (8) écrous hexagonaux de 1/4 po-20 |
| QUINCAILLERIE (PAS MONTRÉ) | • (4) rondelles de blocage de 3/8 po. |
| • (20) vis à tête hexagonale de 5/16-18 x 5/8 po | • (4) écrous hexagonaux de 3/8-16 |
| • (20) rondelles de blocage de 5/16 po | |

DÉSEMBALLAGE ET NETTOYAGE

Désemballer soigneusement la machine et toutes les pièces de ou des emballage(s) d'expédition. Retirer l'huile anticorrosion des surfaces non peintes à l'aide d'un chiffon doux humidifié avec de l'alcool, du diluant à peinture ou de l'alcool dénaturé.

⚠ ATTENTION : N'utiliser pas de solvants hautement volatils tel l'essence, le naphte, l'acétone ou du diluant à laque pour nettoyer.

Après nettoyage, couvrir les surfaces non peintes d'une cire à parquets d'usage domestique de bonne qualité.

ASSEMBLAGE

⚠ AVERTISSEMENT : Pour votre propre sûreté, ne reliez pas la machine à la source d'énergie jusqu'à ce que la machine soit complètement assemblée et vous lisez et comprenez le manuel d'instruction entier.

OUTILS NÉCESSAIRES POUR L'ASSEMBLEE

Tournevis à tête cruciforme (non fournies)

3/8 po, 1/2 po et 9/16 po (non fournies)

L'ESTIMATION DE TEMPS D'ASSEMBLEE

30 minutes à 1 heure

⚠ ATTENTION : Cette machine est lourde. L'usage deux ou plus de gens en soulevant.

INSTALLATION DES ROULETTES SUR LA BASE

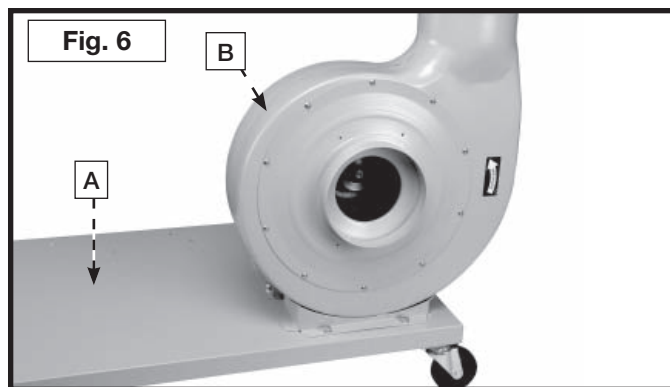
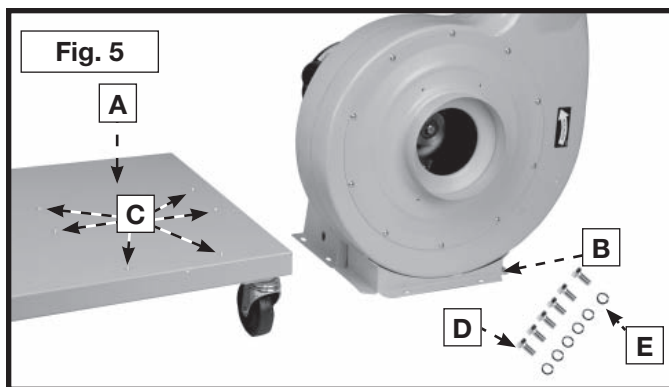
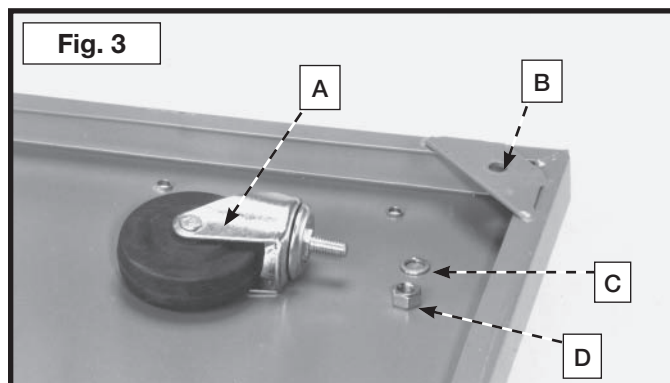
⚠ AVERTISSEMENT : Débrancher l'appareil de la source d'alimentation.

1. Insérer la tige filetée de la roulette (A) fig. 3, dans le trou de la face inférieure de la base (B) et fixer avec une rondelle de blocage de 3/8 po (C) un écrou hexagonal de 3/8-16 (D). La fig. 4, illustre la roulette fixée à la base.
2. Monter les trois autres roulettes à la face inférieure de la base de la même façon.

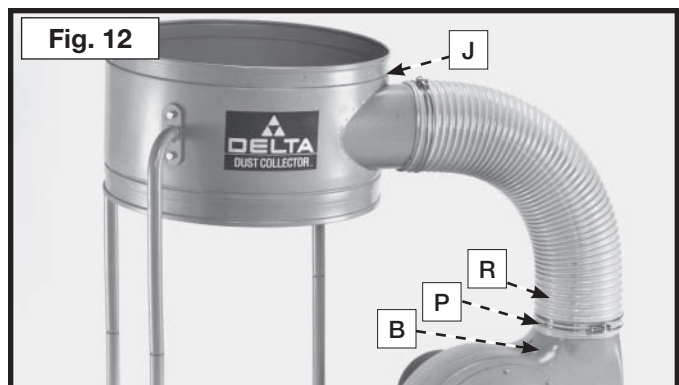
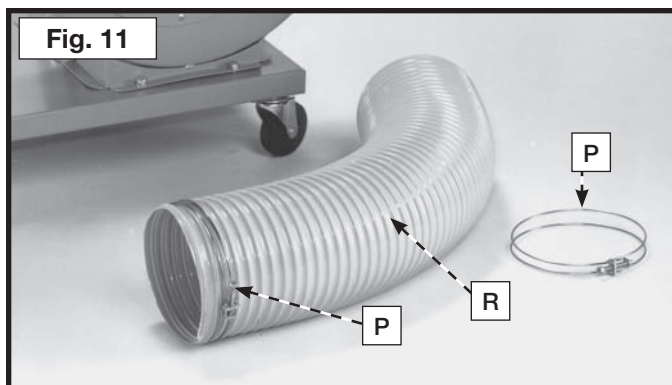
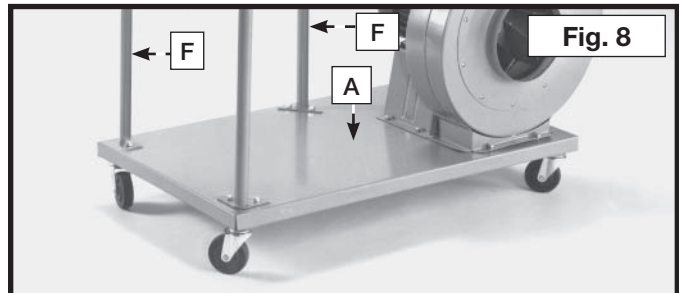
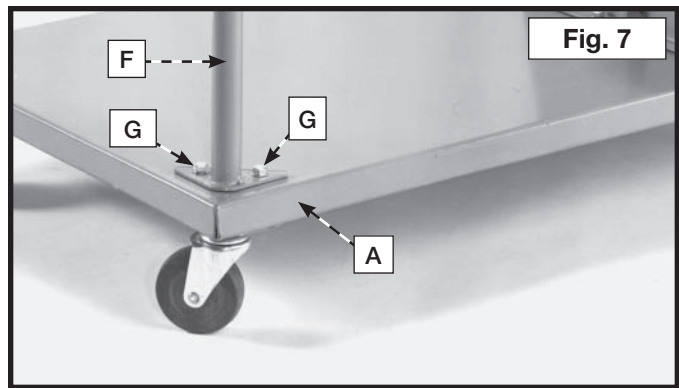
MONTAGE DU MODULE MOTEUR-SOUFFLEUR À LA BASE

⚠ AVERTISSEMENT : Débrancher l'appareil de la source d'alimentation.

1. Tourner la base (A) fig. 5, côté droit vers le haut. Aligner les trous de fixation à la base du module moteur-souffleur (B) fig. 5, avec les six trous prépercés (C) dans la base (A) puis serrer avec six vis à tête hexagonale de 5/16-18 x 5/8 po (D) et rondelles de blocage de 5/16 po (E).
2. La fig. 6, illustre le module moteur-souffleur (B) assemblé à la base (A).



3. Fixer le support du tambour (F) fig. 7, aux deux trous filetés dans le coin de la base (A) comme indiqué à la fig. 7, avec deux vis à tête hexagonale de 5/16-18 x 5/8 po et rondelles de blocages de 5/16 po (G). **REMARQUE :** ne pas serrer complètement la quincaillerie pour le moment.
4. Monter l'autre support de tambour (F) fig. 8, à la base (A) comme indiqué.
5. Fixer le support en « U » fig. 9, au tambour (J). Enfiler une rondelle plate de 5/16 po puis une rondelle de blocage de 5/16 po sur une vis à tête hexagonale. Introduire la vis à tête hexagonale (K) dans le trou du support en « U » et du tambour. Visser un écrou hexagonal de 5/16 po sur la vis à tête hexagonale. Répéter l'assemblage pour l'autre trou. **REMARQUE :** le support en « U » s'assemble du côté droit de l'ouverture (L) du tambour comme indiqué.
6. Aligner les trous des supports du tambour (M), fig. 10, avec ceux du tambour (J). Insérer une vis à tête hexagonale de 5/16 po - 18 x 5/8 po dans le trou du support de tambour et du tambour. Enfiler une rondelle plate de 5/16 po et une rondelle de blocage de 5/16 po sur la vis à tête hexagonale de 5/16 po - 18 x 5/8 po et fixer solidement avec un écrou hexagonal de 5/16 po. Serrer solidement. Répéter l'assemblage pour les autres supports du tambour.
7. Le dépoussiéreur est livré avec deux colliers de serrage de 152 mm (6 po) (P) fig. 11. Insérer une des extrémité du tuyau flexible de 152 mm (6 po) (R) sur l'orifice d'admission du souffleur-moteur (B) fig. 12, et la fixer solidement avec le collier de serrage (P).
8. Enfiler l'autre collier de serrage de 152 mm (6 po) sur le tuyau flexible et fixer l'autre extrémité du tuyau au



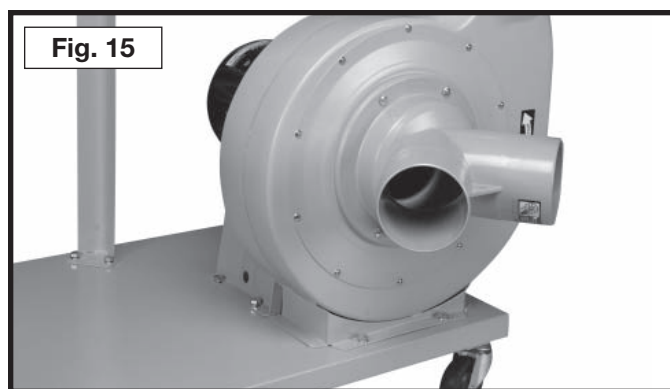
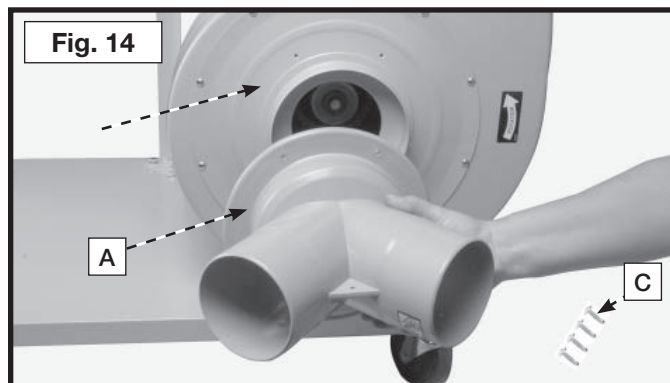
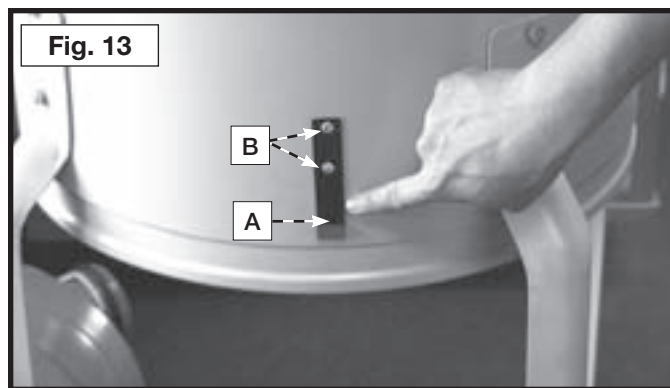
tambour (J) fig. 12, suivant la même procédure.

- Fixer le clip de retenue du sac à poussière inférieur (A) fig. 13, au tambour du dépoussiéreur. Aligner les deux trous (B) de l'autre clip (A) fig. 13, avec ceux du tambour. Insérer une vis à tête hexagonale de 1/4-20 x 5/8 po dans les trous de l'autre clip et ceux du tambour. Enfiler une rondelle plate de 1/4 po sur les vis et visser des écrous hexagonaux de 1/4-20 sur celles-ci. Les serrer solidement. Répéter l'assemblage pour les trois autres côtés du tambour.

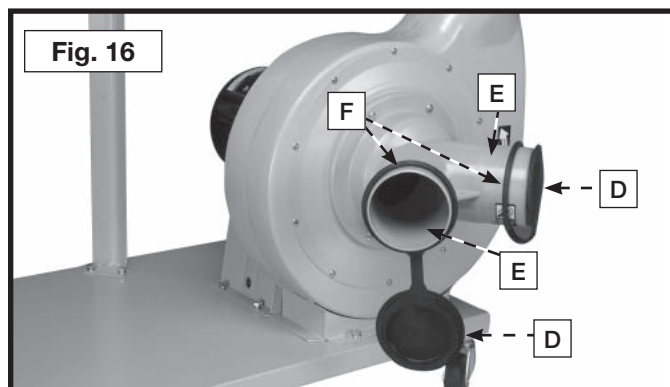
ASSEMBLAGE DE LA GOULOTTE À POUSSIÈRE ET DES CAPUCHONS AU MODULE MOTEUR-SOUFFLEUR

⚠ AVERTISSEMENT : Débrancher l'appareil de la source d'alimentation.

- Aligner les quatre trous de la goulotte à poussière (A) fig. 14, avec les trous de fixation de la bride (B) du module moteur-souffleur et les fixer avec quatre vis à tête (C). La fig. 15 illustre la goulotte à poussière assemblée au module du souffleur.



- REMARQUE :** deux capuchons pour goulotte à poussière (D) fig. 16, sont livrés avec le dépoussiéreur. Insérer les capuchons sur les goulettes à poussières (E) lorsque les orifices d'admission sont inutilisés.
- Insérer la bague du capuchon de la goulotte (D) fig. 16, sur l'ouverture de l'orifice d'admission. Enfoncer le côté en retrait du capuchon de la goulotte (D) sur l'ouverture de l'orifice. **IMPORTANT :** lors du raccord du tuyau d'admission sur un ou les deux orifices, **NE PAS RETIRER LES BAGUES DES CAPUCHONS DE GOULOTTE (F) FIG. 16 DES GOULOTTES.** Retirer le capuchon de la goulotte de l'ouverture et repousser la bague et le capuchon en les couissant le long de l'enveloppe de la goulotte.

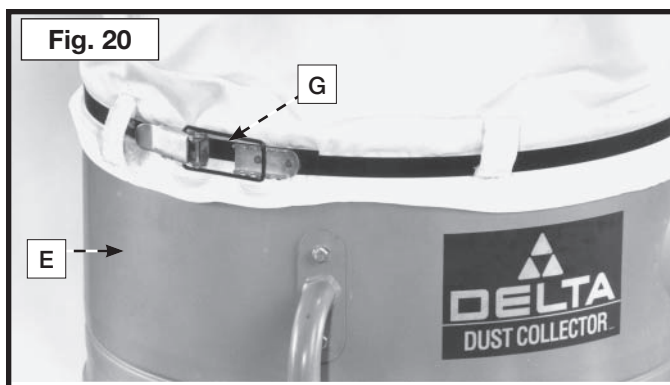
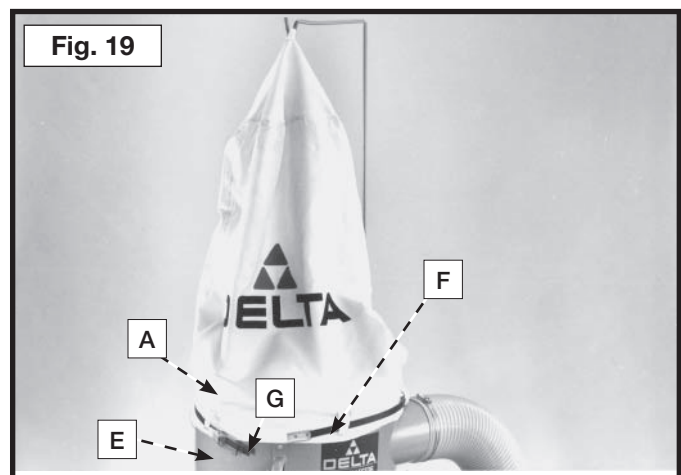
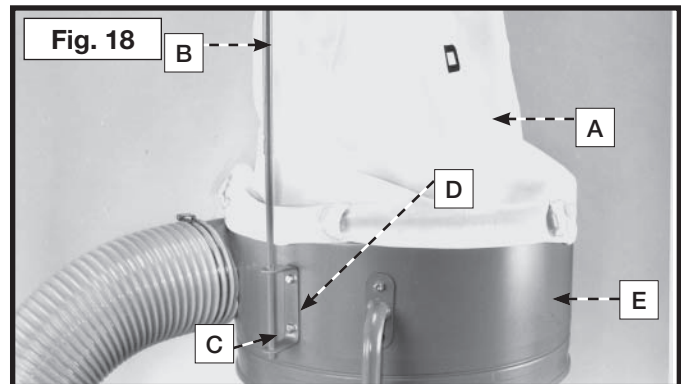
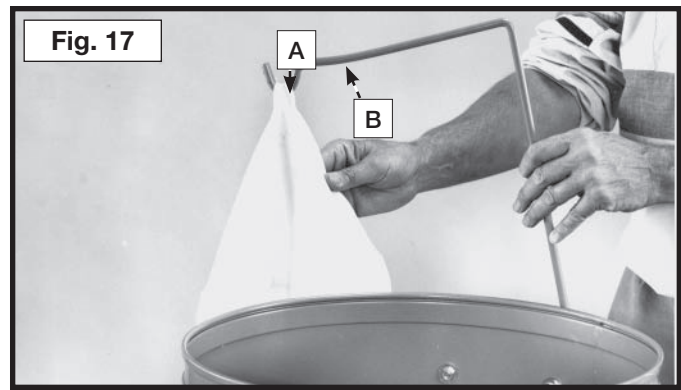


ASSEMBLAGE DU SAC-FILTRE ET DU SAC À POUSSIÈRE SUR LE TAMBOUR

⚠ AVERTISSEMENT : Débrancher l'appareil de la source d'alimentation.

1. Accrocher la boucle de la partie supérieure du sac-filtre (A) fig. 17, sur la tige de support du sac-filtre (B) comme indiqué.
2. Assembler la rallonge (C) fig. 18, sur l'extrémité de la tige de support du sac-filtre (B). Relever les tiges de support (B) et (C) avec le sac-filtre (A) en place et insérer l'extrémité de la tige de support (C) dans les trous du support (D). **REMARQUE :** l'extrémité évasée de la rallonge du sac-filtre empêchera la tige de glisser par le trou du support.
3. Positionner l'extrémité ouverte du sac-filtre (A) fig. 18, sur le rebord du tambour (E). Enfiler la courroie de serrage (F) fig. 19, dans les boucles du sac-filtre (A) et la fixer avec le tendeur (G) comme indiqué à la fig. 20. **REMARQUE :** s'assurer que la courroie de serrage se trouve logée dans la gorge du tambour (F) avant de serrer le tendeur (J).
4. Relever toutes les clips de retenue (A) fig. 21, et insérer le sac à poussière (B) sous chacune d'elle pour le maintenir en place.
5. Placer le tendeur (C) fig. 21, autour du sac à poussière et du tambour du dépoussiéreur et le bloquer en position.

REMARQUE : s'assurer que le tendeur soit logé dans la gorge du tambour du dépoussiéreur avant de le tendre.



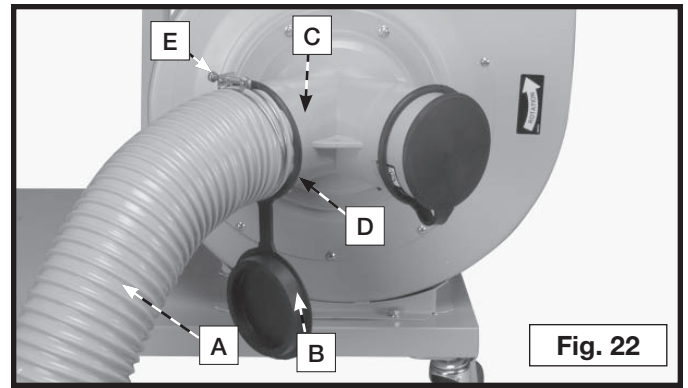
FIXATION DU TUYAU D'ADMISSION AU MODULE MOTEUR-SOUFFLEUR

⚠ AVERTISSEMENT : Laisser en tout moment les capuchons sur les goulottes. Ne les retirer que lors du raccord d'un tuyau flexible à la goulote.

⚠ AVERTISSEMENT : Toujours débrancher le dépoussiéreur de la source d'alimentation avant de raccorder ou de retirer un tuyau d'admission.

Le dépoussiéreur est livré avec un tuyau d'admission de poussière flexible de 101 mm (4 po) de diamètre.

1. Pour assembler le tuyau d'admission (A) fig. 22, au module souffleur, détacher le capuchon (B) de la goulotte à poussière. (C) et l'éloigner en couissant la bague du capuchon (D) le long de la goulotte à poussière (C) comme indiqué. **IMPORTANT : NE PAS RETIRER LE CAPUCHON DE LA GOULOTTE À POUSSIÈRE.**
2. Insérer le collier de serrage du tuyau (E) fig. 22, autour d'une extrémité du tuyau flexible (A) et raccorder le tuyau à la goulotte à poussière (C). Serrer le collier de serrage (E).



Si on souhaite utiliser le dépoussiéreur avec un second tuyau d'admission, communiquez avec le distributeur régional Delta pour acheter un autre tuyau. Suivre les directives des **ÉTAPES 1** et **2** ci-haut.

Dès que l'une des goulottes de la poussière est inutilisée, s'assurer de toujours insérer correctement un capuchon sur celle-ci pour un fonctionnement sécuritaire.

FONCTIONNEMENT

L'OPERATION CONTROLE DE LE ET LES AJUSTEMENT

⚠ AVERTISSEMENT : Pour la sécurité de l'opérateur, ne pas utiliser l'appareil avec un trou d'admission de poussières non recouvert. Le ventilateur logé à l'intérieur du boîtier du souffleur est accessible par l'orifice d'admission de la poussière et peut s'avérer dangereux. Toujours porter des vêtements adéquats. Ne pas porter de bijoux et éloigner les doigts et tout objet étranger de l'orifice d'admission de la poussière. Suivre les consignes en matière de sécurité du présent manuel.

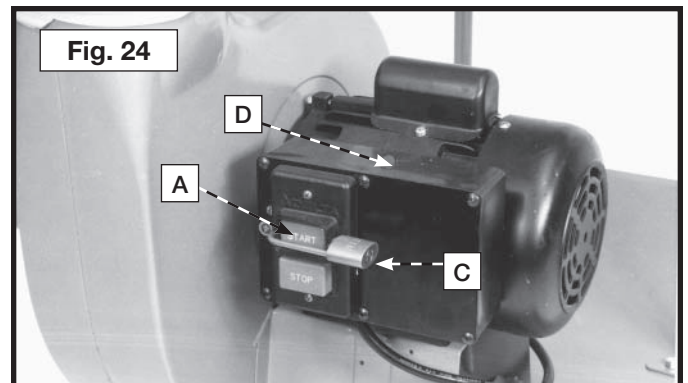
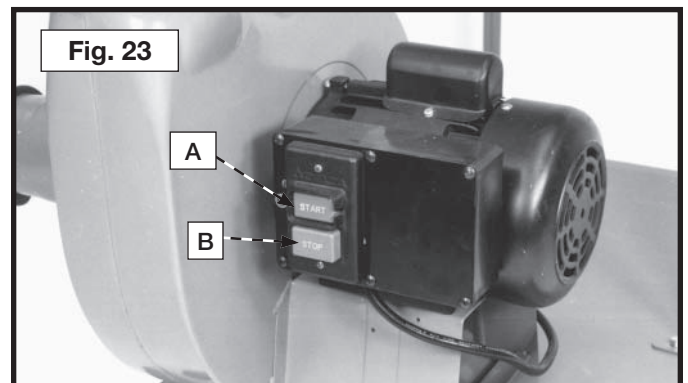
DÉMARRAGE ET ARRÊT DU DÉPOUSSIÉREUR

L'interrupteur de « MARCHE/ARRÊT » est situé sur le côté du moteur. Pour démarrer l'appareil, appuyer sur le bouton de démarrage (A), fig. 23. Pour l'éteindre, appuyer sur le bouton d'arrêt (B).

⚠ AVERTISSEMENT : S'assurer que l'interrupteur se trouve sur la position d'arrêt avant de brancher le cordon d'alimentation. En cas de panne de courant, mettre l'interrupteur sur la position d'arrêt. Un démarrage accidentel peut provoquer des blessures.

VERROUILLAGE DE L'INTERRUPTEUR EN POSITION D'ARRÊT

IMPORTANT : lorsque l'appareil est inutilisé, l'interrupteur devrait être cadenasé en position d'arrêt pour empêcher une utilisation non autorisée. Utiliser un cadenas (C), fig. 24, avec une boucle de 4,8 mm (3/16 po) de diamètre.



⚠ AVERTISSEMENT : Lors de l'utilisation du dépoussiéreur, ne pas aspirer des substances qui brûlent, qui couvent un feu ou qui émettent de la fumée comme des allumettes, cigarettes ou cendres chaudes.

⚠ AVERTISSEMENT : Ne pas utiliser l'appareil pour aspirer des matériaux combustibles déflagrants comme du charbon, du grain ou autre matériel fin combustible.

⚠ AVERTISSEMENT : Ne pas aspirer des matières dangereuses, toxiques ou cancérigènes comme l'amiante, un pesticide ou des résidus de peinture au plomb.

DISJONCTEUR

Le moteur du dépoussiéreur est muni d'un disjoncteur autoréarmable. Si le moteur s'arrête ou ne démarre pas à la suite d'une surcharge, éteindre le dépoussiéreur. Laisser refroidir le moteur pendant trois à cinq minutes et appuyer sur le bouton de réinitialisation (D), fig. 23, du disjoncteur pour le réarmer. Le moteur peut alors redémarrer normalement. Si la surcharge déclenche le disjoncteur à répétitions, confier la réparation du dépoussiéreur à un centre de réparation autorisé Delta.

DEPANNAGE

Pour l'assistance avec votre outil, visiter notre site web à www.deltamachinery.com pour une liste de centres de maintenance ou appeler la ligne d'aide de Delta Machinery à 1-800-223-7278. (Canada: 1-800-463-3582).

ENTRETIEN

GARDER LA MACHINE PROPRE

Dégager régulièrement toutes les conduites d'air avec de l'air comprimé sec. Toutes les pièces en plastique doivent être nettoyées à l'aide d'un chiffon doux humide. NE JAMAIS utiliser de solvants pour nettoyer les pièces en plastique. Les solvants peuvent dissoudre ou endommager le matériel.

⚠ AVERTISSEMENT : Porter des protections oculaire et auditive homologuées et utiliser un appareil respiratoire lors de l'utilisation d'air comprimé.

DÉMARRAGE IMPOSSIBLE

Si la machine ne démarre pas, s'assurer que les lames de la fiche du cordon d'alimentation sont bien enfoncées dans la prise de courant. Vérifier également que les fusibles ne sont pas grillés ou que le disjoncteur ne s'est pas déclenché.

LUBRIFICATION ET PROTECTION CONTRE LA ROUILLE

Appliquer chaque semaine une cire à parquets d'usage domestique sur la table de la machine, sur la rallonge de table ou toute autre surface de travail. Ou utiliser un produit protecteur commercial conçu à cet effet. Suivre les directives du fabricant pour l'utilisation et la sécurité.

Pour nettoyer les tables en fonte contre la rouille, utiliser le matériel suivant : une feuille de papier à poncer Scotch-Brite™ medium, une boîte de WD-40® et une boîte de dégraissant. Appliquer le WD-40 et polir la surface de la table avec le papier à poncer Scotch-Brite. Dégraisser la table puis appliquer le produit protecteur comme décrit ci-dessus.

SERVICE

PIÈCES DE RECHANGE

Utiliser seulement des pièces de rechange identiques. Pour obtenir une liste des pièces de rechange ou pour en commander, consulter notre site Web au servicenet.deltamachinery.com. Commander aussi des pièces auprès d'une succursale d'usine ou composer le 1-800-223-7278 pour le service à la clientèle et recevoir ainsi une assistance personnalisée de techniciens bien formés.

REPLACEMENT GRATUIT DE L'ÉTIQUETTE

Si vos étiquettes d'avertissement deviennent illisibles ou sont manquantes, composez le 1-800-223-7278 pour obtenir une étiquette de remplacement gratuite.

<p>⚠ WARNING</p> <p>TO REDUCE THE RISK OF INJURY USER MUST READ THE INSTRUCTION MANUAL BEFORE OPERATING DUST COLLECTOR. ALWAYS USE PROPER EYE AND RESPIRATORY PROTECTION. SHOCK HAZARD. DO NOT EXPOSE TO RAIN OR USE IN DAMP LOCATIONS. STORE INDOORS. USE ONLY FOR DRY PICK-UP. LACERATION HAZARD. UNPLUG BEFORE CLEANING OR SERVICING DUST BAGS AND HOSE. DO NOT OPERATE WITHOUT HOSE CONNECTED TO INLET PORT AND BAGS IN PLACE. FIRE/EXPLOSION HAZARD. DO NOT PICK UP OR USE NEAR FLAMMABLE / COMBUSTIBLE LIQUIDS.</p>	<p>⚠ ADVERTENCIA</p> <p>PARA REDUCIR EL RIESGO DE LESIONES, EL USUARIO DEBE LEER EL MANUAL DE INSTRUCCIONES ANTES DE OPERAR EL RECOLECTOR DE POLVO. SIEMPRE UTILICE PROTECCIÓN ADECUADA PARA LOS OJOS Y VÍAS RESPIRATORIAS. RIESGO DE DESCARGA ELÉCTRICA. NO EXPONGA A LA LLUVIA NI UTILICE EN LUGARES HÚMEDOS. GUARDE BAJO TECHO. SÓLO UTILÍCELO PARA RECOGER RESIDUOS SECOS. PELIGRO DE LACERACIÓN. DESENCHUFE LA UNIDAD ANTES DE REALIZAR LA LIMPIEZA Y EL MANTENIMIENTO DE LAS BOLSAS RECOLECTORAS DE POLVO EN SU LUGAR. PELIGRO DE EXPLOSIÓN/INCENDIO. NO RECOJA NI UTILICE CERCA DE LÍQUIDOS INFLAMABLES O COMBUSTIBLES.</p>	<p>⚠ AVERTISSEMENT</p> <p>L'UTILISATEUR DOIT LIRE LE MODE D'EMPLOI AVANT D'UTILISER LE DÉPOUSSIÉREUR AFIN DE RÉDUIRE LE RISQUE DE BLESSURE. TOUJOURS UTILISER UNE PROTECTION OCULAIRE ET RESPIRATOIRE ADEQUATE. RISQUE D'ÉLECTROCUTION. NE PAS EXPOSER L'APPAREIL À LA PLUIE NI L'UTILISER DANS UN ENDROIT HUMIDE. LE RANGER À L'INTÉRIEUR. CONÇU UNIQUEMENT POUR LE RAMASSAGE DE MATIÈRES SÈCHES. RISQUE DE LACÉRATION. DÉBRANCHER AVANT TOUT NETTOYAGE OU ENTRETIEN DES SACS À POUSSIÈRE DE L'APPAREIL. RISQUE D'EXPLOSION OU D'INCENDIE. NE PAS ASPIRER DE LIQUIDES INFLAMMABLES OU COMBUSTIBLES OU UTILISER LE DÉPOUSSIÉREUR PRÈS DE CEUX-CI.</p>
<p>⚠ CAUTION</p> <p>COLLECT WOOD MATERIALS ONLY. NEVER USE THE COLLECTOR TO PICK UP METAL SHAVINGS, DUST, OR PARTS.</p>	<p>⚠ PRECAUCIÓN</p> <p>RECOJA MATERIALES DE MADERA SOLAMENTE. NUNCA UTILICE EL RECOLECTOR PARA RECOGER RECORTES, POLVO O PIEZAS DE METAL.</p>	<p>⚠ ATTENTION</p> <p>ASPIRER UNIQUEMENT DES MATIÈRES EN BOIS. NE JAMAIS UTILISER LE DÉPOUSSIÉREUR POUR L'ASPIRATION DE COPEAUX, POUSSIÈRES OU MORCEAUX DE MÉTAUX.</p>

ENTRETIEN ET RÉPARATION

Tous les outils de qualité finissent par demander un entretien ou un changement de pièce. Pour de plus amples renseignements à propos de Delta Machinery, ses succursales d'usine ou un centre de réparation sous garantie autorisé, consulter notre site Web au www.deltamachinery.com ou composer le 1-800-223-7278 pour le service à la clientèle. Toutes les réparations effectuées dans nos centres de réparation sont entièrement garanties contre les défauts de matériaux et de main-d'oeuvre. Nous ne pouvons garantir les réparations effectuées en partie ou totalement par d'autres.

Pour de plus amples renseignements par courrier, écrire à Delta Machinery, 4825 Highway 45 North, Jackson, Tennessee 38305, É.-U. – à l'attention de : Product Service. S'assurer d'indiquer toutes les informations figurant sur la plaque signalétique de l'outil (numéro du modèle, type, numéro de série, etc.).

ACCESSOIRES

Une ligne complète des accessoires est fournie des centres commerciaux d'usine de par votre de Porter-Cable•Delta fournisseur, de Porter-Cable•Delta, et des stations service autorisées par Porter-Cable. Veuillez visiter notre site Web www.deltamachinery.com pour un catalogue ou pour le nom de votre fournisseur plus proche.

⚠ AVERTISSEMENT : Depuis des accessoires autre que ceux offerts par Porter-Cable•Delta n'ont pas été testés avec ce produit, utilisation de tels accessoires a pu être dangereux. Pour l'exploitation sûre, seulement Porter-Cable•Delta a recommandé des accessoires devrait être utilisé avec ce produit.

GARANTIE

Pour enregistrer votre outil pour la garantie service la visite notre site Web à www.deltamachinery.com.

Garantie limitée de deux ans

Delta réparera ou remplacera, à ses frais et à sa discrétion, toute nouvelle machine Delta, pièce de rechange ou tout accessoire qui, dans des circonstances d'utilisation normale, s'est avéré défectueux en raison de défauts de matériau ou de fabrication, à condition que le client retourne le produit (transport payé d'avance) au centre de réparation de l'usine Delta ou à un centre de réparation autorisé accompagné d'une preuve d'achat et dans les deux ans de la date d'achat du produit, et fournisse à Delta une opportunité raisonnable de vérifier le défaut présumé par une inspection. La période de garantie des produits Delta réusinés est de 180 jours. Delta peut demander que les moteurs électriques soient retournés (transport payé d'avance) à un centre de réparation autorisé du fabricant du moteur en vue d'une inspection, d'une réparation ou d'un remplacement. Delta ne peut être tenu pour responsable des défauts résultants de l'usure normale, de la mauvaise utilisation, de l'abus, de la réparation ou de la modification du produit, sauf en cas d'autorisation spécifique d'un centre de réparation ou d'un représentant Delta autorisé. En aucune circonstance Delta ne peut être tenu pour responsable des dommages accidentels ou indirects résultant d'un produit défectueux. Cette garantie constitue la seule garantie de Delta et le recours exclusif des clients en ce qui concerne les produits défectueux ; toutes les autres garanties, expresses ou implicites, de qualité marchande, d'adéquation à un usage particulier, ou autre, sont expressément déclinées par Delta.

INSTRUCCIONES DE SEGURIDAD IMPORTANTES

⚠ ADVERTENCIA: Lea y entienda todas advertencias y las instrucciones operadoras antes de utilizar cualquier instrumento o el equipo. Cuando se usa instrumentos o equipo, las precauciones básicas de la seguridad siempre se deben seguir para reducir el riesgo de la herida personal. La operación impropia, la conservación o la modificación de instrumentos o equipo podrían tener como resultado el daño grave de la herida y la propiedad. Hay ciertas aplicaciones para que equipas con herramienta y el equipo se diseña. La Delta Machinery recomienda totalmente que este producto no sea modificado y/o utilizado para ninguna aplicación de otra manera que para que se diseñó.



Si usted tiene cualquiera pregunta el pariente a su aplicación no utiliza el producto hasta que usted haya escrito Delta Machinery y nosotros lo hemos aconsejado. La forma en línea del contacto en www.deltamachinery.com o por correo Technical Service Manager, Delta Machinery, 4825 Highway 45 North, Jackson, TN 38305. En Canada, 125 Mural St. Suite 300, Richmond Hill, ON, L4B 1M4

Información con respecto a la operación segura y apropiada de este instrumento está disponible de las fuentes siguientes:

- Power Tool Institute, 1300 Sumner Avenue, Cleveland, OH 44115-2851 o en línea www.powertoolinstitute.org
- National Safety Council, 1121 Spring Lake Drive, Itasca, IL 60143-3201
- American National Standards Institute, 25 West 43rd Street, 4 floor, New York, NY 10036 www.ansi.org - ANSI 01.1 Safety Requirements for Woodworking Machines
- U.S. Department of Labor regulations www.osha.gov

GUARDE ESTAS INSTRUCCIONES!

PAUTAS DE SEGURIDAD/DEFINICIONES

Es importante para usted leer y entender este manual. La información que lo contiene relaciona a proteger SU SEGURIDAD y PREVENIR los PROBLEMAS. Los símbolos debajo de son utilizados para ayudarlo a reconocer esta información.



⚠ PELIGRO: Indica una situación de inminente riesgo, la cual, si no es evitada, causará la muerte o lesiones serias.

⚠ ADVERTENCIA: Indica una situación potencialmente riesgosa, que si no es evitada, podría resultar en la muerte o lesiones serias.

⚠ PRECAUCIÓN: Indica una situación potencialmente peligrosa, la cual, si no es evitada, podría resultar en lesiones menores o mode-radas.

PRECAUCIÓN: Usado sin el símbolo de seguridad de alerta indica una situa-ción potencialmente riesgosa la que, si no es evitada, podría causar daños en la propiedad.

Proposición de CALIFORNIA 65

⚠ ADVERTENCIA: Algunos tipos de aserrín creados por máquinas eléctricas de lijado, aserrado, amolado, perforado u otras actividades de la construcción, contienen materiales químicos conocidos (en el Estado de California) como causantes de cáncer, defectos de nacimiento u otros daños del aparato reproductivo. Algunos ejemplos de dichos productos químicos son:

- El plomo contenido en algunas pinturas con base de plomo
- Sílice cristalizado proveniente de los ladrillos, el cemento y otros productos de albañilería
- Arsénico y cromo de madera tratada químicamente

Su riesgo por causa de estas exposiciones varía, dependiendo de con cuánta frecuencia realice este tipo de trabajo. Para reducir su exposición a estos agentes químicos: trabaje en un área bien ventilada y trabaje con equipo de seguridad aprobado, use siempre protección facial o respirador **NIOSH/OSHA** aprobados cuando deba utilizar dichas herramientas.

NORMAS GENERALES DE SEGURIDAD

⚠ ADVERTENCIA: Si no se siguen estas normas, el resultado podría ser lesiones graves.

- 1. PARA SU PROPIA SEGURIDAD, LEA EL MANUAL DE INSTRUCCIONES ANTES DE UTILIZAR LA MÁQUINA.** Al aprender la aplicación, las limitaciones y los peligros específicos de la máquina, se minimizará enormemente la posibilidad de accidentes y lesiones.
- 2. USE PROTECCIÓN DE LOS OJOS Y DE LA AUDICIÓN. USE SIEMPRE ANTEOJOS DE SEGURIDAD.** Los lentes de uso diario NO son anteojos de seguridad. USE EQUIPO DE SEGURIDAD CERTIFICADO. El equipo de protección de los ojos debe cumplir con las normas ANSI Z87.1. El equipo de protección de la audición debe cumplir con las normas ANSI S3.19.
- 3. USE INDUMENTARIA ADECUADA.** No use ropa holgada, guantes, corbatas, anillos, pulseras u otras joyas que podrían engancharse en las piezas móviles. Se recomienda usar calzado antideslizante. Use una cubierta protectora del pelo para sujetar el pelo largo.
- 4. NO UTILICE LA MÁQUINA EN UN ENTORNO PELIGROSO.** La utilización de herramientas mecánicas en lugares húmedos o mojados, o en la lluvia, puede causar descargas eléctricas o electrocución. Mantenga bien iluminada el área de trabajo para evitar tropezar o poner en peligro los brazos, las manos y los dedos.
- 5. MANTENGA TODAS LAS HERRAMIENTAS Y MÁQUINAS EN CONDICIONES ÓPTIMAS.** Mantenga las herramientas afiladas y limpias para lograr el mejor y más seguro rendimiento. Siga las instrucciones de lubricación y cambio de accesorios. Las herramientas y las máquinas mal mantenidas pueden dañar más la herramienta o la máquina y/o causar lesiones.
- 6. COMPRUEBE SI HAY PIEZAS DAÑADAS.** Antes de utilizar la máquina, compruebe si hay piezas dañadas. Compruebe la alineación de las piezas móviles, si las piezas móviles se atascan, si hay piezas rotas y toda otra situación que podría afectar su funcionamiento. Un protector o cualquier otra pieza que presente daños debe repararse o reemplazarse apropiadamente. Las piezas dañadas pueden causar daños adicionales a la máquina y/o lesiones.
- 7. MANTENGA LIMPIA EL ÁREA DE TRABAJO.** Las áreas y los bancos desordenados invitan a que se produzcan accidentes.
- 8. MANTENGA ALEJADOS A LOS NIÑOS Y A LOS VISITANTES.** El taller es un entorno potencialmente peligroso. Los niños y los visitantes pueden sufrir lesiones.
- 9. REDUZCA EL RIESGO DE UN ARRANQUE NO INTENCIONADO.** Asegúrese de que el interruptor esté en la posición de apagado antes de enchufar el cable de alimentación. En caso de un apagón, mueva el interruptor a la posición de apagado. Un arranque accidental podría causar lesiones.
- 10. UTILICE LOS PROTECTORES.** Asegúrese de que todos los protectores estén colocados en su sitio, sujetos firmemente y funcionando correctamente para prevenir lesiones.
- 11. quite las llaves de ajuste y de tuerca antes de arrancar la máquina.** Las herramientas, los pedazos de desecho y otros residuos pueden salir despedidos a alta velocidad, causando lesiones.
- 12. UTILICE LA MÁQUINA ADECUADA.** No fuerce una máquina o un aditamento a hacer un trabajo para el que no se diseñó. El resultado podría ser daños a la máquina y/o lesiones.
- 13. UTILICE ACCESORIOS RECOMENDADOS.** La utilización de accesorios y aditamentos no recomendados por Delta podría causar daños a la máquina o lesiones al usuario.
- 14. UTILICE EL CORDÓN DE EXTENSIÓN ADECUADO.** Asegúrese de que el cordón de extensión esté en buenas condiciones. Cuando utilice un cordón de extensión, asegúrese de utilizar un cordón que sea lo suficientemente pesado como para llevar la corriente que su producto tome.

Un cordón de tamaño insuficiente causará una caída de la tensión de la línea, lo cual producirá una pérdida de potencia y recalentamiento. Consulte el Cuadro de cordones de extensión para obtener el tamaño correcto dependiendo de la longitud del cordón y la capacidad nominal en amperios indicada en la placa de especificaciones. En caso de duda, utilice el próximo calibre más grueso. Cuanto más pequeño sea el número de calibre, más pesado será el cordón.
- 15. SUJETE FIRMEMENTE LA PIEZA DE TRABAJO.** Utilice las abrazaderas o el tornillo cuando usted no puede asegurar el objeto en la tabla y contra la cerca a mano o cuando su mano estará peligroso cerca de la lámina (dentro de 6").
- 16. HAGA AVANZAR LA PIEZA DE TRABAJO CONTRA EL SENTIDO DE ROTACIÓN DE LA HOJA, EL CORTADOR O LA SUPERFICIE ABRASIVA.** Si la hace avanzar desde el otro sentido, el resultado será que la pieza de trabajo salga despedida a alta velocidad.
- 17. NO FUERCE LA PIEZA DE TRABAJO SOBRE LA MÁQUINA.** El resultado podría ser daños a la máquina y/o lesiones.
- 18. NO INTENTE ALCANZAR DEMASIADO LEJOS.** Una pérdida del equilibrio puede hacerle caer en una máquina en funcionamiento, causándole lesiones.
- 19. NO SE SUBA NUNCA A LA MÁQUINA.** Se podrían producir lesiones si la herramienta se inclina o si usted hace contacto accidentalmente con la herramienta de corte.
- 20. NO DEJE NUNCA DESATENDIDA LA MÁQUINA CUANDO ESTÉ EN MARCHA. APÁGUELA.** No deje la máquina hasta que ésta se detenga por completo. Un niño o un visitante podría resultar lesionado.
- 21. APAGUE LA MÁQUINA Y DESCONÉCTELA DE LA FUENTE DE ALIMENTACIÓN** antes de instalar o quitar accesorios, antes de ajustar o cambiar configuraciones o al realizar reparaciones. Un arranque accidental puede causar lesiones.
- 22. HAGA SU TALLER A PRUEBA DE NIÑOS CON CANDADOS E INTERRUPTORES MAESTROS O QUITANDO LAS LLAVES DE ARRANQUE.** El arranque accidental de una máquina por un niño o un visitante podría causar lesiones.
- 23. MANTÉNGASE ALERTA, FÍJESE EN LO QUE ESTÁ HACIENDO Y USE EL SENTIDO COMÚN. NO UTILICE LA MÁQUINA CUANDO ESTÉ CANSADO O BAJO LA INFLUENCIA DE DROGAS, ALCOHOL O MEDICAMENTOS.** Un momento de distracción mientras se estén utilizando herramientas mecánicas podría causar lesiones.
- 24. ⚠ ADVERTENCIA: EL USO DE ESTA HERRAMIENTA PUEDE GENERAR Y DISPERSAR POLVO U OTRAS PARTÍCULAS SUSPENDIDAS EN EL AIRE, INCLUYENDO POLVO DE MADERA, POLVO DE SÍLICE CRISTALINA Y POLVO DE ASBESTO.** Dirija las partículas de modo que se alejen de la cara y del cuerpo. Utilice siempre la herramienta en un área bien ventilada y proporcione un medio apropiado de remoción de polvo. Use un sistema de recolección de polvo en todos los lugares donde sea posible. La exposición al polvo puede causar lesiones respiratorias graves y permanentes u otras lesiones graves y permanentes, incluyendo silicosis (una enfermedad pulmonar grave), cáncer y muerte. Evite aspirar el polvo y evite el contacto prolongado con el polvo. Si se permite que el polvo entre en la boca o en los ojos, o que se deposite en la piel, se puede promover la absorción de material nocivo. Use siempre protección respiratoria aprobada por NIOSH/OSHA que se ajuste apropiadamente y sea adecuada para la exposición al polvo, y lávese las áreas expuestas con agua y jabón.

NORMAS ESPECÍFICAS ADICIONALES DE SEGURIDAD

▲ ADVERTENCIA: El no acatar estas reglas puede tener como resultado graves lesiones físicas.

▲ PELIGRO: **UTILICE** el colector de polvo para recoger materiales de madera solamente. **NO** utilice el colector de polvo para recoger virutas metálicas, polvo metálico o piezas metálicas.

▲ ADVERTENCIA: **NUNCA** utilice el colector de polvo para disipar vapores o humo. **NUNCA** recoja nada que esté ardiendo o desprendiendo humo, como cigarrillos, fósforos o cenizas calientes.

1. **NO UTILICE ESTA MÁQUINA** hasta que esté completamente montada e instalada de acuerdo con las instrucciones.
2. **OBTENGA ASESORAMIENTO** de su supervisor, instructor u otra persona calificada si no está completamente familiarizado con la utilización de esta máquina.
3. **SIGA TODOS LOS CÓDIGOS DE CABLEADO** y las conexiones eléctricas recomendadas.
4. **NO** tire del colector de polvo por el cable de alimentación. **NUNCA** deje que el cable de alimentación entre en contacto con bordes afilados, superficies calientes, aceite o grasa. No ponga nada encima del cable de alimentación.
5. Ponga **SIEMPRE** todos los controles en la posición de apagado antes de desenchufar el colector de polvo. **PARA REDUCIR EL RIESGO DE DESCARGAS ELÉCTRICAS**, no utilice la unidad sobre superficies mojadas. No la exponga a la lluvia. Guárdela en interiores.
6. **NO** utilice la unidad con ninguna abertura bloqueada; manténgala libre de polvo, pelusa, pelo y todo aquello que pueda reducir la circulación de aire.
7. **NO** utilice el colector de polvo para recoger líquidos inflamables o combustibles, como por ejemplo gasolina. **NUNCA** utilice el colector de polvo cerca de líquidos inflamables o combustibles.
8. **NO** introduzca los dedos ni objetos extraños en el orificio de entrada de polvo. Mantenga el pelo, la ropa holgada, los dedos y todas las partes del cuerpo alejados de las aberturas y las piezas móviles del colector de polvo.
9. **NUNCA** utilice el colector de polvo sin la bolsa de recolección de polvo colocada en su sitio y sujeta adecuadamente.
10. **INSPECCIONE PERIÓDICAMENTE** la bolsa para polvo con el fin de comprobar si tiene cortes, roturas o desgarraduras. **NUNCA** utilice el colector de polvo con una bolsa o manguera de aspiración dañada.
11. Utilice **SIEMPRE** la cubierta de la entrada para cubrir el orificio para polvo cuando el colector de polvo no esté en uso o montado en una superficie de soporte para almacenamiento.
12. **NO** deje el colector de polvo enchufado en el tomacorriente eléctrico. Desenchufe el colector de polvo del tomacorriente cuando no se esté utilizando y antes de hacerle servicio, cambiar las bolsas, desatascarlo y limpiarlo.
13. **NUNCA** utilice el colector de polvo con una bolsa o manguera de aspiración dañada. **INSPECCIONE PERIÓDICAMENTE** la bolsa para polvo con el fin de comprobar si tiene cortes, roturas o desgarraduras.
14. **REEMPLACE** inmediatamente un cable de alimentación dañado. **NO** utilice un cable de alimentación o enchufe dañado. Si el colector de polvo no funciona correctamente, o si ha sufrido daños, se ha dejado a la intemperie o ha estado en contacto con agua, llévelo a un Centro de Servicio Autorizado para que le den servicio.
15. **APAGUE LA MÁQUINA Y DESCONÉCTELA** de la fuente de alimentación antes de instalar o quitar accesorios, antes de ajustar o cambiar las preparaciones o al hacer reparaciones.
16. **APAGUE LA MÁQUINA**, desconéctela de la fuente de alimentación y limpie la mesa/área de trabajo antes de dejar la máquina. **BLOQUEE EL INTERRUPTOR EN LA POSICIÓN DE APAGADO** para impedir el uso no autorizado.

GUARDE ESTAS INSTRUCCIONES.

Refiérase a ellas con frecuencia y utilícelas para adiestrar a otros.

CONEXIONES A LA FUENTE DE ALIMENTACIÓN

Debe utilizarse un circuito eléctrico independiente para las máquinas. Este circuito no debe ser menor a un cable N° 12 y debe estar protegido con un fusible de acción retardada. NOTA: Los fusibles de acción retardada deben estar marcados “D” en Canadá y “T” en EE.UU. Si se utiliza un cordón de extensión, utilice únicamente cordones de extensión de tres alambres que tengan enchufes de tipo de conexión a tierra con tres terminales y un receptáculo coincidente que acepte el enchufe de la máquina. Antes de conectar el máquina a la línea de alimentación, asegúrese de que el interruptor(s) esté en la posición de “APAGADO” y cerciórese de que la corriente eléctrica tenga las mismas características que las que estén indicadas en la máquina. Todas las conexiones a la línea de alimentación deben hacer buen contacto. El funcionamiento a bajo voltaje dañará el máquina.

⚠ PELIGRO: No exponga la máquina a la lluvia ni la utilice en lugares húmedos.

ESPECIFICACIONES DEL MOTOR

La máquina está cableada para corriente alterna de 120/240 V, 60 Hz. Antes de conectar la máquina a la fuente de alimentación, asegúrese de que el interruptor esté en la posición de apagado.

INSTRUCCIONES DE CONEXIÓN A TIERRA

⚠ PELIGRO: Esta máquina debe estar conectada a tierra mientras se esté utilizando, para proteger al operador contra las descargas eléctricas.

1. Todas las máquinas conectadas con cordón conectadas a tierra:

En caso de mal funcionamiento o avería, la conexión a tierra proporciona una ruta de resistencia mínima para la corriente eléctrica, con el fin de reducir el riesgo de descargas eléctricas. Esta máquina está equipada con un cordón eléctrico que tiene un conductor de conexión a tierra del equipo y un enchufe de conexión a tierra. El enchufe debe enchufarse en un tomacorriente coincidente que esté instalado y conectado a tierra adecuadamente, de acuerdo con todos los códigos y ordenanzas locales.

No modifique el enchufe suministrado. Si el enchufe no cabe en el tomacorriente, haga que un electricista calificado instale el tomacorriente apropiado.

La conexión inapropiada del conductor de conexión a tierra del equipo puede dar como resultado riesgo de descargas eléctricas. El conductor con aislamiento que tiene una superficie exterior de color verde con o sin franjas amarillas es el conductor de conexión a tierra del equipo. Si es necesario reparar o reemplazar el cordón eléctrico o el enchufe, no conecte el conductor de conexión a tierra del equipo a un terminal con corriente.

Consulte a un electricista competente o a personal de servicio calificado si no entiende completamente las instrucciones de conexión a tierra o si tiene dudas en cuanto a si la máquina está conectada a tierra apropiadamente.

Utilice únicamente cordones de extensión de tres alambres que tengan enchufes de tipo de conexión a tierra con tres terminales y receptáculos de tres conductores que acepten el enchufe de la máquina, tal como se muestra en la Fig. A.

Repáre o reemplace inmediatamente los cordones dañados o desgastados.

2. Máquinas conectadas con cordón conectadas a tierra diseñadas para utilizarse en un circuito de alimentación que tenga una capacidad nominal de menos de 150 V:

Si la máquina está diseñada para utilizarse en un circuito que tenga un tomacorriente parecido al que se ilustra en la Fig. A, la máquina tendrá un enchufe de conexión a tierra que se parece al enchufe ilustrado en la Fig. A. Puede utilizarse un adaptador temporal, que se parece al adaptador ilustrado en la Fig. B, para conectar este enchufe a un receptáculo coincidente de dos conductores, tal como se muestra en la Fig. B, si no se dispone de un tomacorriente conectado a tierra apropiadamente. El adaptador temporal debe utilizarse solamente hasta que un electricista calificado pueda instalar un tomacorriente conectado a tierra apropiadamente. La orejeta, lengüeta, etc., rígida de color verde que sobresale del adaptador debe conectarse a una toma de tierra permanente, como por ejemplo una caja tomacorriente conectada a tierra adecuadamente. Siempre que se utilice un adaptador, debe sujetarse en su sitio con un tornillo de metal.

NOTA: En Canadá, el uso de un adaptador temporal no está permitido por el Código Eléctrico Canadiense.

⚠ PELIGRO: En todos los casos, asegúrese de que el receptáculo en cuestión esté conectado a tierra adecuadamente. Si no está seguro, haga que un electricista calificado compruebe el receptáculo.

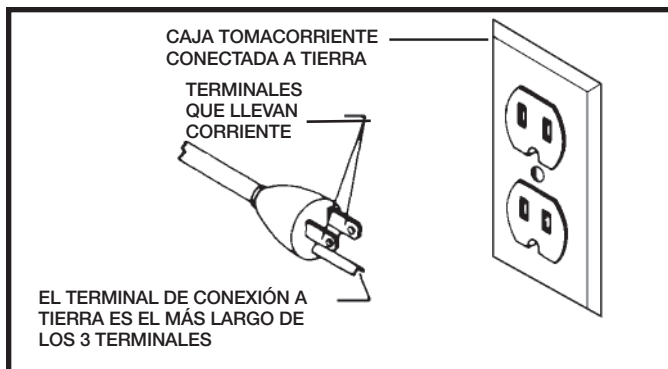


Fig. A

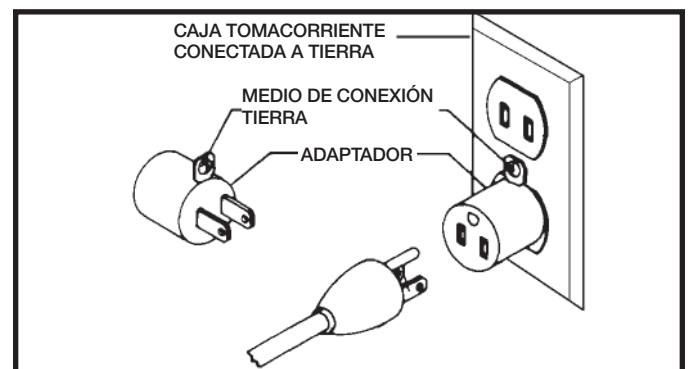


Fig. B

3. Máquinas conectadas con cordón conectadas a tierra diseñadas para utilizarse en un circuito de alimentación que tenga una capacidad nominal entre 150 y 250 V, inclusive:

Si la máquina está diseñada para utilizarse en un circuito que tenga un tomacorriente parecido al que se ilustra en la Fig. C, la máquina tendrá un enchufe de conexión a tierra que se parece al enchufe ilustrado en la Fig. C. Asegúrese de que la máquina esté conectada a un tomacorriente que tenga la misma configuración que el enchufe. No hay adaptador disponible y no debe utilizarse ningún adaptador con esta máquina. Si la máquina debe reconectarse para utilizarse en un tipo distinto de circuito eléctrico, la reconexión debe ser realizada por personal de servicio calificado, y después de la reconexión, la máquina debe cumplir con todos los códigos y ordenanzas locales.

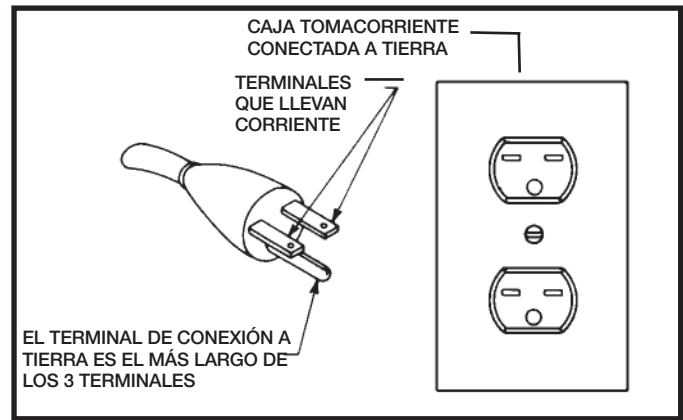


Fig. C

CORDONES DE EXTENSIÓN

⚠ ADVERTENCIA: Utilice cordones de extensión apropiados. Asegúrese de que el cordón de extensión esté en buenas condiciones y de que sea un cordón de extensión de tres alambres que tenga un enchufe de tipo de conexión a tierra con tres terminales y un receptáculo coincidente que acepte el enchufe de la máquina. Cuando utilice un cordón de extensión, asegúrese de emplear un cordón que sea lo suficientemente pesado como para llevar la corriente de la máquina. Un cordón de tamaño insuficiente causará una caída de la tensión de la línea eléctrica que dará como resultado pérdida de potencia y recalentamiento. En la Fig. D1 o D2 se muestra el calibre correcto que debe utilizarse dependiendo de la longitud del cordón. En caso de duda, utilice el siguiente calibre más pesado. Cuanto más pequeño sea el número de calibre, más pesado será el cordón.

CORDÓN DE EXTENSIÓN DE CALIBRE MÍNIMO			
TAMAÑOS RECOMENDADOS PARA USO CON MÁQUINAS ELÉCTRICAS ESTACIONARIAS			
Capacidad Nominal En Amperios	Voltios	Longitud Total Del Cordon En Pies	Calibre Del Cordon De Extensión
0-6	120	Hasta 25	18 AWG
0-6	120	25-50	16 AWG
0-6	120	50-100	16 AWG
0-6	120	100-150	14 AWG
6-10	120	Hasta 25	18 AWG
6-10	120	25-50	16 AWG
6-10	120	50-100	14 AWG
6-10	120	100-150	12 AWG
10-12	120	Hasta 25	16 AWG
10-12	120	25-50	16 AWG
10-12	120	50-100	14 AWG
10-12	120	100-150	12 AWG
12-16	120	Hasta 25	14 AWG
12-16	120	25-50	12 AWG
12-16	120	NO SE RECOMIENDA LONGITUDES MAYOR DE 50 PIES	

Fig. D-1

CORDÓN DE EXTENSIÓN DE CALIBRE MÍNIMO			
TAMAÑOS RECOMENDADOS PARA USO CON MÁQUINAS ELÉCTRICAS ESTACIONARIAS			
Capacidad Nominal En Amperios	Voltios	Longitud Total Del Cordon En Pies	Calibre Del Cordon De Extensión
0-6	240	Hasta 50	18 AWG
0-6	240	50-100	16 AWG
0-6	240	100-200	16 AWG
0-6	240	200-300	14 AWG
6-10	240	Hasta 50	18 AWG
6-10	240	50-100	16 AWG
6-10	240	100-200	14 AWG
6-10	240	200-300	12 AWG
10-12	240	Hasta 50	16 AWG
10-12	240	50-100	16 AWG
10-12	240	100-200	14 AWG
10-12	240	200-300	12 AWG
12-16	240	Hasta 50	14 AWG
12-16	240	50-100	12 AWG
12-16	240	NO SE RECOMIENDA LONGITUDES MAYOR DE 50 PIES	

Fig. D-2

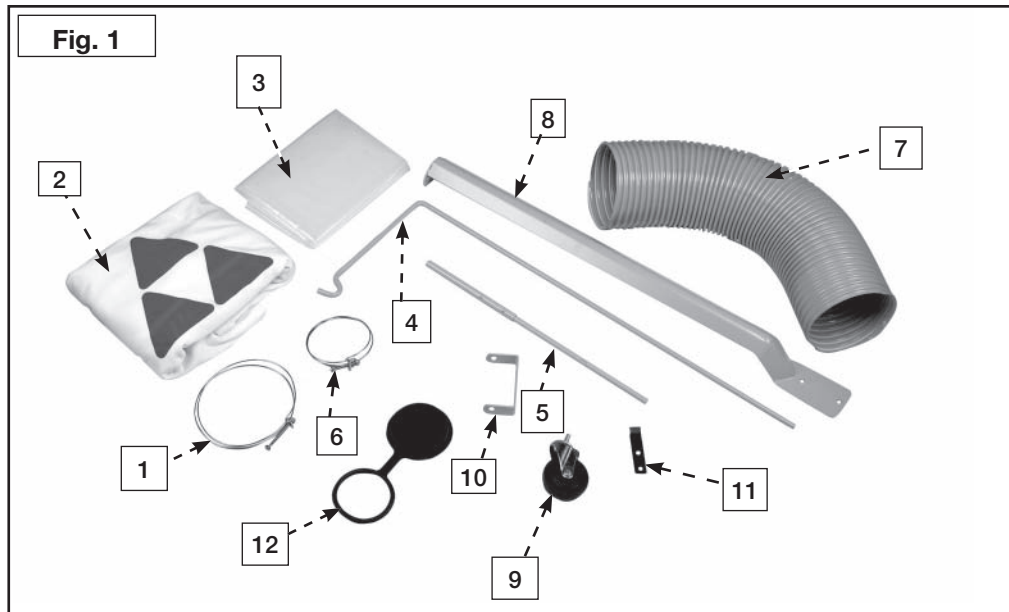
DESCRIPCIÓN FUNCIONAL

PROLOGO

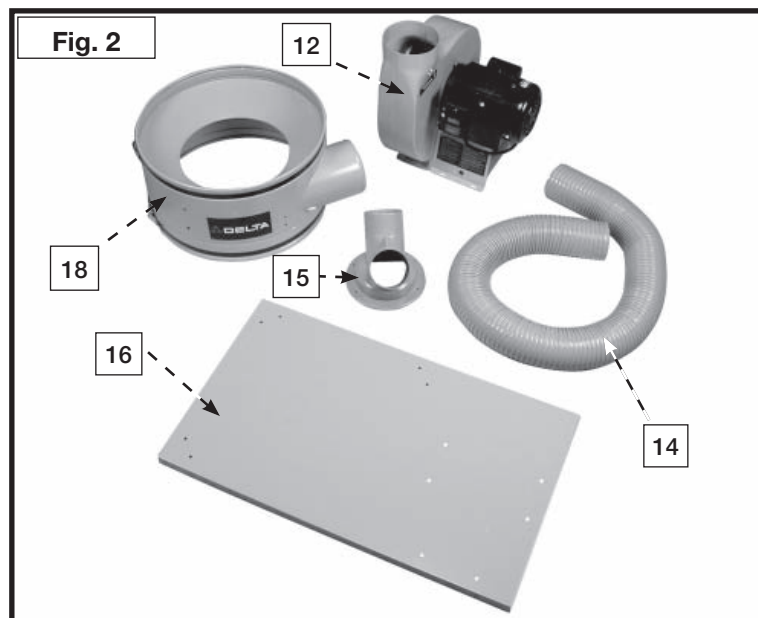
El recolector de polvo 50-850 se conecta a máquinas de carpintería que se adaptan a una manguera de 101,6 mm (4") de diámetro. El modelo 50-850 viene con una bolsa de filtro de cinco micrones, una bolsa de recolección plástica de 0,1 mm (6 milipulgadas) y una manguera de recolección de 101,6 mm x 1.524 mm (4 pulg. x 5 pi).

NOTA: La foto del cubierta del manual ilustra el modelo de production actual. Todas las demas ilustraciones son solamente representativas y es posible que no muestren el color, el etiquetado y los accesorios reales.

CONTENIDO DE CARTON



- | | |
|--|---|
| <ol style="list-style-type: none"> 1. Bandas para cerrar las bolsas del filtro y recolección de polvo (2) 2. Bolsa del filtro 3. Bolsa de recolección de polvo 4. Varilla de soporte para la bolsa del filtro 5. Varilla de extensión 6. Abrazaderas (2) 7. Manguera flexible de 152 mm (6 pulg.) de diámetro | <ol style="list-style-type: none"> 8. Soporte de tambor (3) 9. Ruedas 3/8 pulg. arandelas de presión, 3/8-16 tuercas de cabeza hexagonal (4) 10. Soporte en forma de "U" par la varilla de soporte para la bolsa de filtro 11. Pinza para sostener la bolsa inferior de recolección de polvo (4) 12. Tapas de la entrada (2) |
|--|---|



- | | |
|---|---|
| <ol style="list-style-type: none"> 13. Abrazadera 14. Manguera flexible de 101,6 mm (4 pulg.) de diámetro 15. Orificio de entrada 16. Base 17. Ensamblaje del ventilador y el motor 18. Tambor <p>MATERIALES DE FERRETERÍA (NO MOSTRADAS)</p> <ul style="list-style-type: none"> • Tornillos de cabeza hexagonal de 5/16-18 x 5/8 pulg. (20) • Arandelas de presión de 5/16 pulg. (20) | <ul style="list-style-type: none"> • Tuercas de cabeza hexagonal de 5/16-18 (8) • Arandelas planas de diámetro exterior de 5/16 pulg. x 7/8 pulg. (8) • #8 tornillos de rosca chapa (4) • Tornillos de cabeza hexagonal de 1/4-20 x 5/8 pulg (8) • Arandelas de presión de 1/4 pulg. (8) • Arandelas de presión de 3/8 pulg. (4) • Tuercas de cabeza hexagonal de 3/8-16 (4) |
|---|---|

DESEMPAQUETADO Y LIMPIEZA

Desembale cuidadosamente la máquina y todos los elementos sueltos del o los contenedores de envío. Retire el aceite anticorrosivo de las superficies sin pintura con un paño suave humedecido con alcohol mineral, solvente o alcohol desnaturalizado.

⚠PRECAUCIÓN: No use solventes volátiles como gasolina, nafta, acetona o solvente de barniz para limpiar la máquina.

Luego de limpiar, cubra las superficies sin pintura con cera en pasta de buena calidad que se utiliza para los pisos del hogar.

ENSAMBLAJE

⚠ADVERTENCIA: Para su propia seguridad, no conecte la máquina a la fuente de energía hasta que la máquina haya sido ensamblada por completo y usted haya leído y entendido completamente el manual del propietario.

HERRAMIENTAS DE ENSAMBLAJE REQUERIDAS

Destornillador con cabeza Phillips (no proporcionadas)

Llaves de boca de 3/8 pulg., 1/2 pulg. y 9/16 pulg. (no proporcionadas)

ESTIMACIÓN DEL TIEMPO DE ENSAMBLAJE

30 minutos a 1 hora

⚠PRECAUCIÓN: Esta máquina está pesada. El uso dos o más personas al levantar.

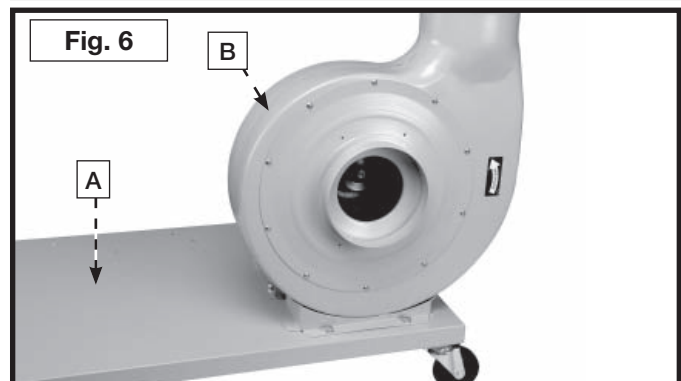
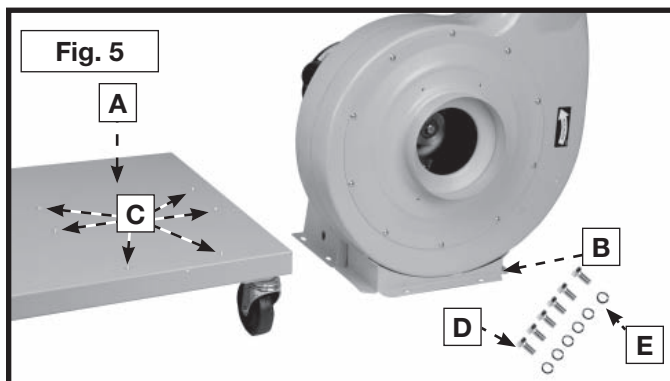
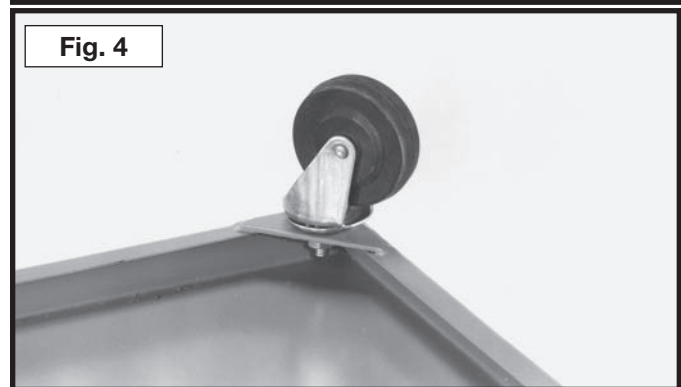
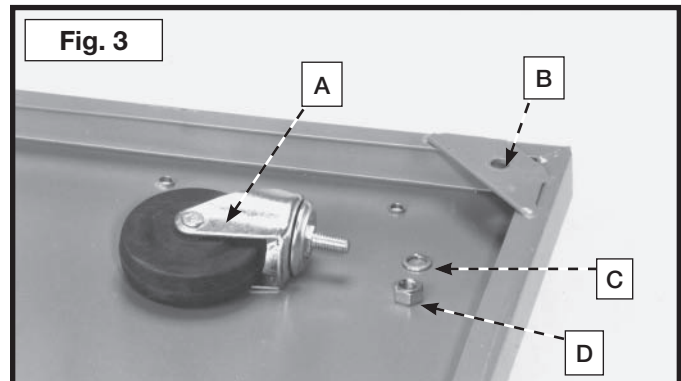
MONTAJE DE LAS RUEDAS EN LA BASE

⚠ADVERTENCIA: Desconecte la máquina de la fuente de alimentación.

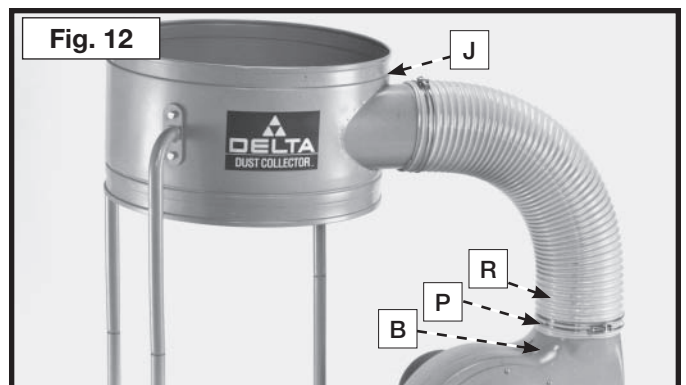
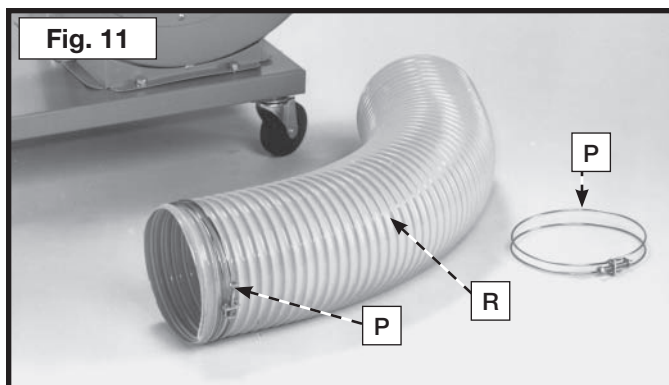
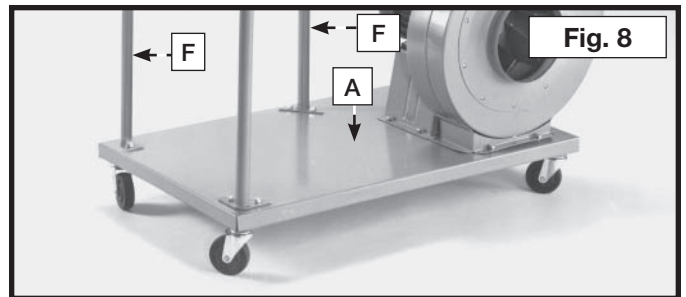
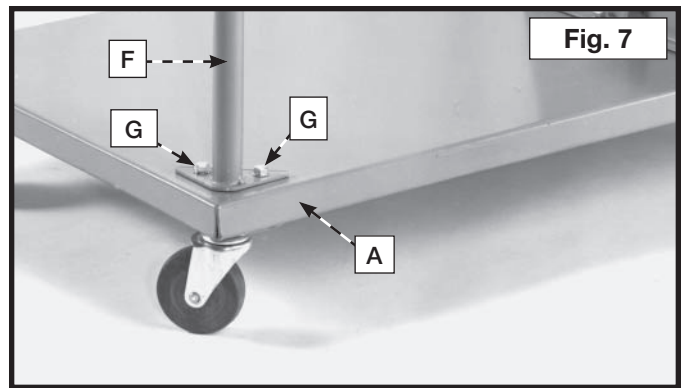
1. Inserte la varilla enroscada de la rueda (A) Fig. 3, dentro del agujero localizado en la parte de abajo de la base (B) y sujételo con una arandela de presión de 3/8 pulg. (C) y una tuerca de cabeza hexagonal de 3/8-16 (D). La Fig. 4 muestra la rueda sujeta a la base.
2. Monte las tres ruedas restantes a la parte de abajo de la base de la misma manera.

MONTAJE DEL ENSAMBLAJE DEL MOTOR Y EL VENTILADOR SOBRE LA BASE

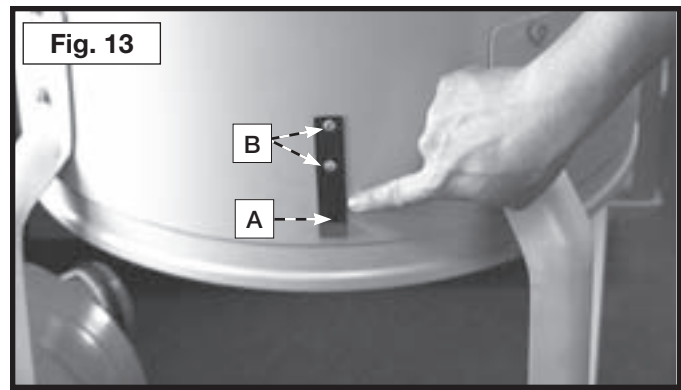
1. Voltee la base (A) Fig. 5 boca arriba. Alinee los agujeros de montaje en la base del ensamblaje del motor y el ventilador (B) Fig. 5, con los seis agujeros pre-taladrados (C) en la base (A), y sujételos con seis tornillos de cabeza hexagonal de 5/16-18 x 5/8 pulg. (D) y arandelas de presión de 5/16 pulg. (E).
2. Fig. 6 ilustra el ensamblaje del motor y el ventilador (B) sujeto a la base (A).



3. Monte el soporte de tambor (F) Fig. 7 en los dos agujeros en rosca en la esquina de la base (A), como se muestra en la Fig. 7, con dos tornillos de cabeza hexagonal de 5/16-18 x 5/8 pulg. y arandelas de presión de 5/16 pulg. (G). **NOTA:** Todavía no ajuste por completo los tornillos y arandelas.
4. Monte los soportes de tambor restantes (F) Fig. 8 a la base (A), como se muestra.
5. Monte el soporte en forma de "U" (H) Fig. 9 sobre el tambor (J). Ponga una arandela plana de 5/16 pulg. y luego una arandela de presión de 5/16 pulg. en un tornillo de cabeza hexagonal de 5/16-18 x 5/8 pulg. Inserte el tornillo de cabeza hexagonal (K) a través del agujero en el soporte en forma de "U" y el agujero en el tambor, enrosque una tuerca de cabeza hexagonal de 5/16 pulg. al tornillo de cabeza hexagonal y apriételo firmemente. Repita este procedimiento para el orificio restante. **NOTA:** El soporte en forma de "U" debe ser montado al lado derecho de la apertura (L) en el tambor como se muestra.
6. Alinee los agujeros en los soportes del tambor (M), Fig. 10, con los agujeros en el tambor (J). Inserte un tornillo de cabeza hexagonal de 5/16-18 x 5/8 pulg. a través del agujero en el soporte del tambor y el tambor. Coloque una arandela plana de 5/16 pulg. y una arandela de bloqueo de 5/16 pulg. en el tornillo de cabeza hexagonal de 5/16-18 x 5/8 pulg. y asegure con una tuerca hexagonal de 5/16 pulg. Ajuste bien. Repita este proceso para los soportes del tambor restantes.
7. El recolector de polvo se suministra con dos abrazaderas para manguera de 152 mm (6 pulg.) (P) Fig. 11. Coloque un extremo de la manguera flexible de 152 mm (6 pulg.) de diámetro (R) sobre la entrada del ventilador/motor (B) Fig. 12, y sujételo con una abrazadera para manguera (P).
8. Coloque la otra abrazadera para manguera de 152 mm (6 pulg.) en la manguera flexible y sujete el otro extremo de la manguera al tambor (J) Fig. 12 de la misma manera.



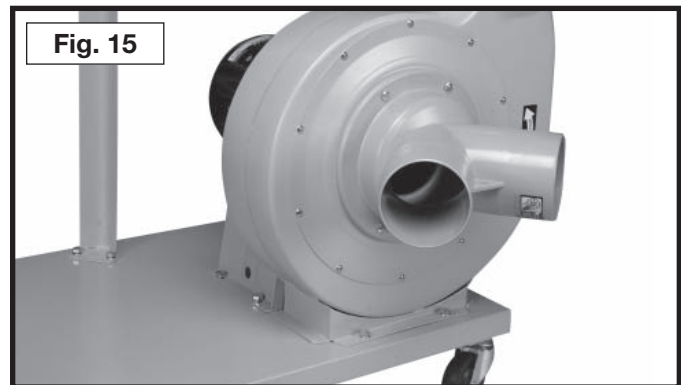
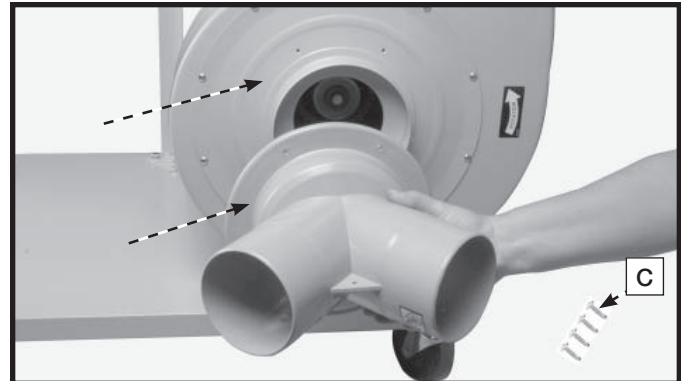
- Sujete la pinza para sostener la bolsa inferior de recolección de polvo (A) Fig. 13, al tambor de recolección de polvo. Alinee los dos agujeros (B) de la pinza sostenedora (A) Fig. 13 con los dos agujeros en el tambor. Inserte un tornillo de cabeza hexagonal de 1/4-20 x 5/8 pulg. a través de los agujeros en la pinza sostenedora y los agujeros en el tambor. Coloque una arandela plana de 1/4 pulg. sobre los tornillos. Luego enrosque una tuerca de cabeza hexagonal de 1/4-20 sobre los tornillos y apriételos firmemente. Repita este proceso para los tres lados restantes del tambor.



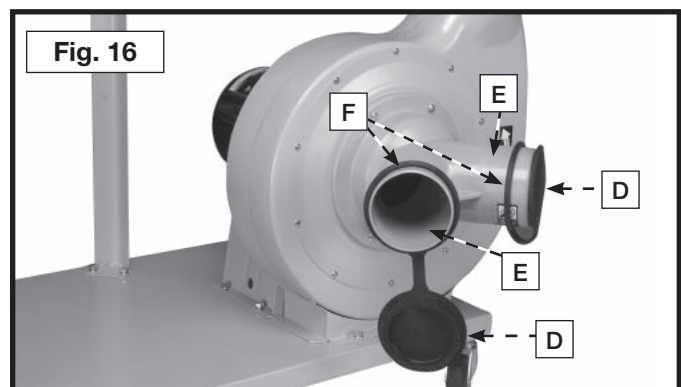
MONTAJE DEL ORIFICIO Y LAS TAPAS DE LA ENTRADA DE POLVO AL ENSAMBLAJE DEL VENTILADOR Y EL MOTOR

⚠ ADVERTENCIA: Desconecte la máquina de la fuente de alimentación.

- Alinee los cuatro agujeros en la entrada de polvo (A) Fig. 14 con los agujeros de montaje en la pestaña (B) del ensamblaje del ventilador y el motor, y sujételos con cuatro tornillos de rosca chapa (C). La Fig. 15 muestra el orificio de entrada de polvo montado al ensamblaje del ventilador.



- NOTA:** Se suministran dos tapas de orificio de entrada de polvo (D) Fig. 16 con el recolector de polvo. Las tapas se deben colocar sobre los orificios de entrada de polvo (E) cuando estos orificios de entrada no se están usando.
- Coloque el cuello de la tapa de polvo (D) Fig. 16 sobre la apertura en el orificio de entrada. Presione el lado cóncavo de la tapa de polvo (D) en la apertura del orificio. **IMPORTANTE:** Cuando conecte una manguera de entrada a uno de los orificios de entrada o ambos, **NO RETIRE LOS CUELLOS DE LAS TAPAS DE POLVO (F) FIG. 16 DE LOS ORIFICIOS DE ENTRADA.** Retire la tapa de polvo de la apertura del orificio y deslice el cuello y la tapa más encima del contenedor del orificio.

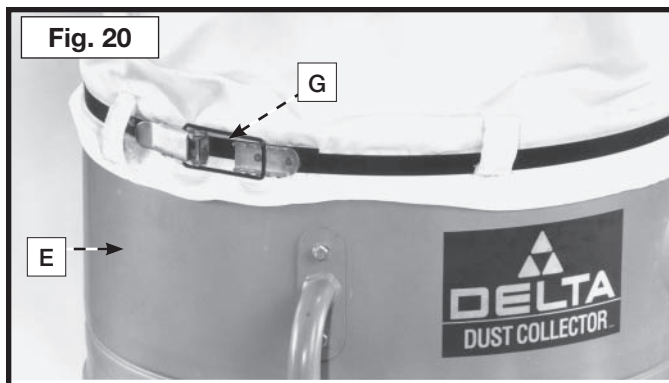
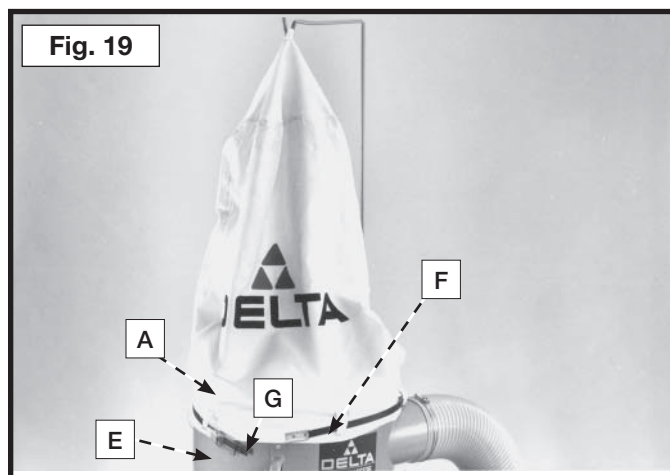
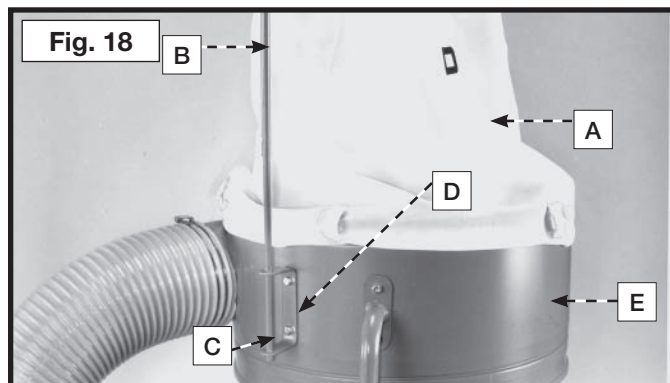
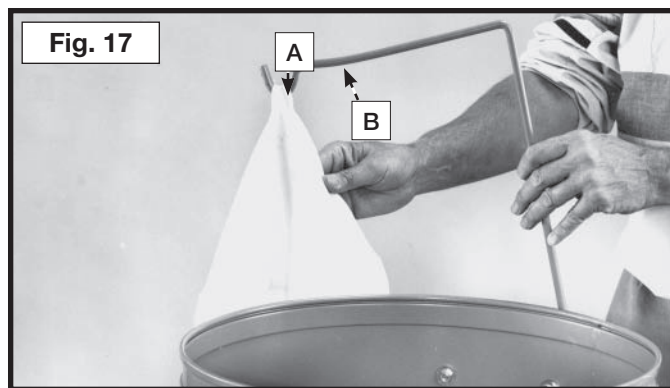


MONTAJE DE LAS BOLSAS DE FILTRO Y RECOLECCIÓN DE POLVO AL TAMBOR

⚠ ADVERTENCIA: Desconecte la máquina de la fuente de alimentación.

1. Enganche el sujetador de la parte de arriba de la bolsa de filtro (A) Fig. 17 a la varilla de soporte para la bolsa del filtro (B), como se muestra.
2. Monte la varilla de extensión (C) Fig. 18 al extremo de la varilla de soporte para la bolsa del filtro (B). Levante las varillas de soporte (B) y (C), con la bolsa del filtro (A) sujeta a éstas y coloque el extremo de la varilla de soporte (C) dentro de los agujeros del soporte (D). **NOTA:** El extremo acampanado de la varilla de extensión para la bolsa del filtro evitará que la varilla se deslice a través del soporte.
3. Coloque el extremo abierto de la bolsa del filtro (A) Fig. 18 sobre el borde del tambor para el polvo (E). Inserte la banda para cerrar (F) Fig. 19 a través de los sujetadores de la bolsa del filtro (A) y sujételos con una abrazadera (G) como se muestra en la Fig. 20. **NOTA:** Asegúrese de que la banda para cerrar está puesta en el canal del tambor (F) antes de sujetar la abrazadera.
4. Tire cada pinza para sostener hacia arriba (A) Fig. 21 e inserte la bolsa de recolección de polvo (B) debajo de cada pinza para sostener, para así mantener la bolsa de recolección de polvo en su sitio.
5. Coloque la abrazadera con cierre (C) Fig. 21 alrededor de la bolsa de recolección de polvo y el tambor de recolección de polvo y bloquéela.

NOTA: Asegúrese de que la abrazadera con cierre está puesta en el canal del tambor de recolección de polvo antes de bloquear la abrazadera.



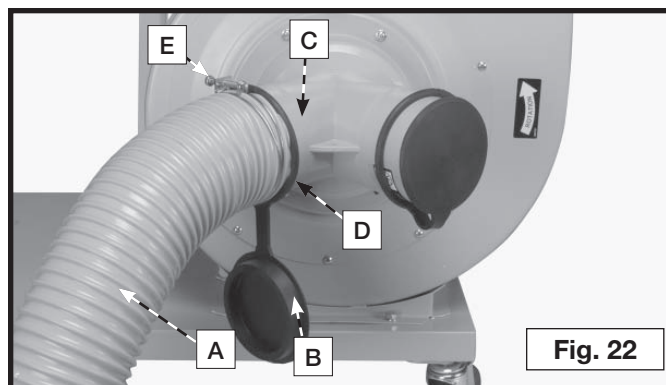
MONTAJE DE LAS MANGUERAS DE ENTRADA DE POLVO AL ENSAMBLAJE DEL VENTILADOR Y EL MOTOR

⚠ ADVERTENCIA: Siempre mantenga las tapas de polvo instaladas sobre los orificios de entrada. Retire la tapa de polvo sólo cuando una manguera flexible está sujeta al orificio de entrada.

⚠ ADVERTENCIA: Siempre desconecte el recolector de polvo de la fuente de energía antes de conectar o desconectar la manguera de entrada.

El recolector de polvo se suministra con una manguera flexible para entrada de polvo de 101,6 mm (4 pulg.) de diámetro.

1. Para montar la manguera de entrada (A) Fig. 22 al ensamblaje del ventilador, retire la tapa de polvo (B) del orificio de entrada de polvo (C) y deslice el cuello de la tapa de polvo (D) más encima del orificio de entrada de polvo (C), como se muestra. **IMPORTANTE: NO RETIRE LA TAPA DE ENTRADA DEL ORIFICIO DE ENTRADA.**
2. Coloque la abrazadera de la manguera (E) Fig. 22, en un extremo de la manguera flexible (A) y monte la manguera al orificio de entrada de polvo (C). Apriete la abrazadera de la manguera (E).



Si desea operar el recolector de polvo con una segunda manguera de entrada, póngase en contacto con su concesionario local de Delta para comprar la manguera, e instálela como se muestra en los **PASOS 1 y 2** arriba.

Cuando uno de los orificios de entrada de polvo no esté en uso, asegúrese siempre que la tapa de polvo está instalada correctamente sobre el orificio de entrada para seguridad de la persona que utiliza el aparato.

OPERACIÓN

CONTROLES Y AJUSTES OPERACIONALES

⚠ ADVERTENCIA: Para seguridad del operador, no opere la máquina sin cubrir todos los orificios de entrada de polvo. Se puede acceder al ventilador giratorio que se encuentra dentro de la carcasa del soplador a través del orificio de admisión de polvo; lo cual puede ser peligroso. Siempre use el equipo adecuado. No use joyas y mantenga los dedos y todos los objetos extraños fuera del orificio de admisión de polvo. Siga las reglas de seguridad de este manual.

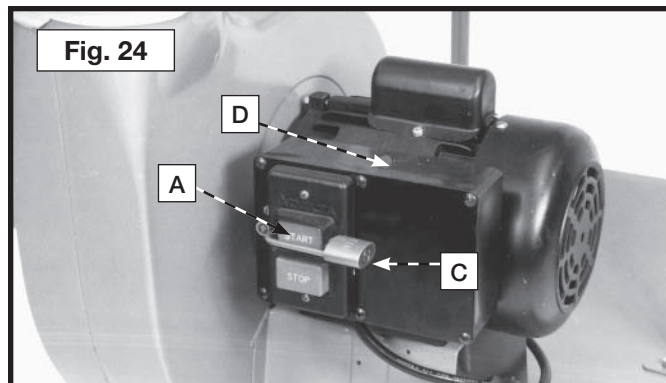
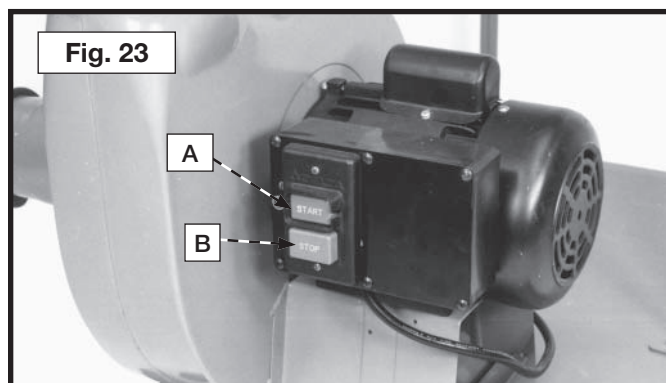
ARRANCANDO Y DETENIENDO LA RECOLECTOR DE POLVO

El INTERRUPTOR DE ENCENDIDO/APAGADO (ON/OFF) está en el lateral del motor. Para ENCENDER la máquina, oprima el botón de arranque (A), Fig. 23. Para APAGAR la máquina, oprima el botón de parada (B).

⚠ ADVERTENCIA: Asegúrese de que el interruptor esté en la posición de "apagado" (off) antes de enchufar el cable eléctrico. En caso de un corte de corriente, mueva el interruptor a la posición de "apagado" (off). Un arranque accidental podría causar lesiones.

BLOQUEO DEL INTERRUPTOR EN LA POSICIÓN DE APAGADO (OFF)

IMPORTANTE: Para prevenir el uso no autorizado cuando la máquina no se utiliza, el interruptor debe bloquearse en la posición de APAGADO (OFF) con un candado (C), Fig. 24, con una argolla de 4,8 mm (3/16") de diámetro.



⚠ ADVERTENCIA: Al usar el recolector de polvo, no aspire nada que esté en combustión, en llamas o echando humo, como fósforos, cigarrillos o cenizas calientes.

⚠ ADVERTENCIA: No use la máquina para aspirar materiales explosivos combustibles, como carbón, granos o cualquier otro material combustible dividido en partículas finas.

⚠ ADVERTENCIA: No use la máquina para aspirar materiales peligrosos, tóxicos o carcinógenos como amianto, pesticidas o residuos de pintura a base de plomo.

INTERRUPTOR AUTOMÁTICO

El motor de su recolector de polvo viene con un interruptor automático reinicialable. Si el motor se apaga o no arranca debido a una sobrecarga, coloque el interruptor del recolector de polvo en la posición de APAGADO (OFF), deje que el motor se enfríe durante tres a cinco minutos y oprima el botón de reinicio (D), Fig. 23, del interruptor automático para reiniciarlo. Luego, el motor puede volver a encenderse normalmente. Si la sobrecarga continúa, lleve el recolector de polvo a un Centro de mantenimiento autorizado Delta para su reparación.

LOCALIZACION DE FALLAS

Para obtener asistencia para su máquina, visite nuestro sitio Web en www.deltamachinery.com para tener acceso a una lista de centros de servicio o llame a la línea de ayuda de Delta Machinery al 1-800-223-7278. (En Canadá, llame al 1-800-463-3582.)

MANTENIMIENTO

MANTENGA LA MÁQUINA LIMPIA

Periódicamente sople por todas las entradas de aire con aire comprimido seco. Todas las piezas de plástico deben limpiarse con un paño suave y húmedo. NUNCA utilice solventes para limpiar las piezas de plástico. Podrían derretirse o dañar el material.

⚠ ADVERTENCIA: Utilice equipo de seguridad certificado para proteger sus ojos, oídos y vías respiratorias cuando use aire comprimido.

FALLA EN EL ENCENDIDO

Si la máquina no enciende, verifique que las patas del enchufe del cable hagan buen contacto en el tomacorriente. Además, revise que no hayan fusibles quemados o interruptores automáticos de circuito abierto en la línea.

LUBRICACIÓN Y PROTECCIÓN CONTRA ÓXIDO

Aplice semanalmente cera en pasta para pisos a la mesa de la máquina y a la extensión u otra superficie de trabajo. También puede usar productos protectores disponibles en comercios y diseñados con este propósito. Siga las instrucciones del fabricante para su uso y seguridad. Para limpiar el óxido de las mesas de hierro fundido, necesitará los siguientes materiales: 1 hoja de Almohadilla Manual para Matizado mediana Scotch-Brite™, 1 lata de WD-40® y 1 lata de desgrasador. Aplique el WD-40 y pule la superficie de la mesa con la almohadilla Scotch-Brite. Desgrase la mesa y luego aplique el producto protector como se muestra más arriba.

SERVICIO

PIEZAS DE REPUESTO

Utilice sólo piezas de repuesto idénticas. Para obtener una lista de piezas o para solicitar piezas, visite nuestro sitio web en servicenet.deltamachinery.com. También puede solicitar piezas en nuestro centro más cercano, o llamando a nuestro Centro de atención al cliente al 1-800-223-7278 para obtener asistencia personalizada de nuestros técnicos capacitados.

REEMPLAZO GRATUITO DE LAS ETIQUETAS DE ADVERTENCIA

Si las etiquetas de advertencia se tornan eligibles o se pierden, llame al 1-800-223-7278 para reemplazarlas sin costo alguno.

<p>⚠ WARNING</p> <p>TO REDUCE THE RISK OF INJURY USER MUST READ THE INSTRUCTION MANUAL BEFORE OPERATING DUST COLLECTOR. ALWAYS USE PROPER EYE AND RESPIRATORY PROTECTION. SHOCK HAZARD. DO NOT EXPOSE TO RAIN OR USE IN DAMP LOCATIONS. STORE INDOORS. USE ONLY FOR DRY PICK-UP. LACERATION HAZARD. UNPLUG BEFORE CLEANING OR SERVICING DUST BAGS AND HOSE. DO NOT OPERATE WITHOUT HOSE CONNECTED TO INLET PORT AND BAGS IN PLACE. FIRE/EXPLOSION HAZARD. DO NOT PICK UP OR USE NEAR FLAMMABLE / COMBUSTIBLE LIQUIDS.</p>	<p>⚠ ADVERTENCIA</p> <p>PARA REDUCIR EL RIESGO DE LESIONES, EL USUARIO DEBE LEER EL MANUAL DE INSTRUCCIONES ANTES DE OPERAR EL RECOLECTOR DE POLVO. SIEMPRE UTILICE PROTECCIÓN ADECUADA PARA LOS OJOS Y VÍAS RESPIRATORIAS. RIESGO DE DESCARGA ELÉCTRICA. NO EXPONGA A LA LLUVIA NI UTILICE EN LUGARES HÚMEDOS. GUARDE BAJO TECHO. SÓLO UTILÍCELO PARA RECOGER RESIDUOS SECOS. PELIGRO DE LACERACIÓN. DESENCHUFE LA UNIDAD ANTES DE REALIZAR LA LIMPIEZA Y EL MANTENIMIENTO DE LAS BOLSAS RECOLECTORAS DE POLVO EN SU LUGAR. PELIGRO DE EXPLOSIÓN/INCENDIO. NO RECOJA NI UTILICE CERCA DE LÍQUIDOS INFLAMABLES O COMBUSTIBLES.</p>	<p>⚠ AVERTISSEMENT</p> <p>L'UTILISATEUR DOIT LIRE LE MODE D'EMPLOI AVANT D'UTILISER LE DÉPOUSSIÉREUR AFIN DE RÉDUIRE LE RISQUE DE BLESSURE. TOUJOURS UTILISER UNE PROTECTION OCULAIRE ET RESPIRATOIRE ADÉQUATE. RISQUE D'ÉLECTROCUTION. NE PAS EXPOSER L'APPAREIL À LA PLUIE NI L'UTILISER DANS UN ENDROIT HUMIDE. LE RANGER À L'INTÉRIEUR. CONÇU UNIQUEMENT POUR LE RAMASSAGE DE MATIÈRES SÈCHES. RISQUE DE LACÉRATION. DÉBRANCHER AVANT TOUT NETTOYAGE OU ENTRETIEN DES SACS À POUSSIÈRE DE L'APPAREIL. RISQUE D'EXPLOSION OU D'INCENDIE. NE PAS ASPIRER DE LIQUIDES INFLAMMABLES OU COMBUSTIBLES OU UTILISER LE DÉPOUSSIÉREUR PRÈS DE CEUX-CI.</p>
<p>⚠ CAUTION</p> <p>COLLECT WOOD MATERIALS ONLY. NEVER USE THE COLLECTOR TO PICK UP METAL SHAVINGS, DUST, OR PARTS.</p>	<p>⚠ PRECAUCIÓN</p> <p>RECOJA MATERIALES DE MADERA SOLAMENTE. NUNCA UTILICE EL RECOLECTOR PARA RECOGER RECORTES, POLVO O PIEZAS DE METAL.</p>	<p>⚠ ATTENTION</p> <p>ASPIRER UNIQUEMENT DES MATIÈRES EN BOIS. NE JAMAIS UTILISER LE DÉPOUSSIÉREUR POUR L'ASPIRATION DE COPEAUX, POUSSIÈRES OU MORCEAUX DE MÉTAUX.</p>

MANTENIMIENTO Y REPARACIONES

Con el paso del tiempo, todas las herramientas de calidad requieren mantenimiento o reemplazo de las piezas. Para obtener información acerca de Delta Machinery, sus sucursales propias o un Centro de mantenimiento con garantía autorizado, visite nuestro sitio web en www.deltamachinery.com o llame a nuestro Centro de atención al cliente al 1-800-223-7278. Todas las reparaciones realizadas por nuestros centros de mantenimiento están completamente garantizadas en relación con los materiales defectuosos y la mano de obra. No podemos otorgar garantías en relación con las reparaciones ni los intentos de reparación de otras personas.

También puede escribirnos solicitando información a Delta Machinery, 4825 Highway 45 North, Jackson, Tennessee 38305 - Mantenimiento de productos. Asegúrese de incluir toda la información mencionada en la placa de la herramienta (número de modelo, tipo, número de serie, etc.)

ACCESORIOS

Una línea completa de accesorios está disponible de su surtidor de Porter-Cable • Delta, centros de servicio de la fábrica de Porter-Cable • Delta, y estaciones autorizadas delta. Visite por favor nuestro Web site www.deltamachinery.com para un catálogo o para el nombre de su surtidor más cercano.

⚠ ADVERTENCIA: Puesto que los accesorios con excepción de éstos ofrecidos por Delta no se han probado con este producto, el uso de tales accesorios podría ser peligroso. Para la operación más segura, solamente el delta recomendó los accesorios se debe utilizar con este producto.

GARANTIA

Para registrar la herramienta para obtener el mantenimiento cubierto por la garantía de la herramienta, visite nuestro sitio web en www.deltamachinery.com.

Garantía limitada de dos años para productos nuevos

Delta reparará o reemplazará, a expensas y opción propias, cualquier máquina nueva, pieza de máquina nueva o accesorio de máquina nuevo Delta que durante el uso normal haya presentado defectos de fabricación o de material, siempre que el cliente devuelva el producto con el transporte prepago a un centro de servicio de fábrica Delta o una estación de servicio autorizado Delta, con un comprobante de compra del producto, dentro del plazo de dos años y dé a Delta una oportunidad razonable de verificar el supuesto defecto mediante la realización de una inspección. Para todos los productos Delta reacondicionados, el período de garantía es de 180 días. Delta podrá requerir que los motores eléctricos sean devueltos con el transporte prepago a una estación autorizada de un fabricante de motores para ser sometidos a inspección y reparación o para ser reemplazados. Delta no será responsable de ningún defecto alegado que haya resultado del desgaste normal, uso indebido, abuso o reparación o alteración realizada o autorizada específicamente por alguien que no sea un centro de servicio autorizado Delta o un representante autorizado Delta. Delta no será responsable en ninguna circunstancia de los daños incidentales o emergentes que se produzcan como resultado de productos defectuosos. Esta garantía es la única garantía de Delta y establece el recurso exclusivo del cliente en lo que respecta a los productos defectuosos; Delta rechaza expresamente todas las demás garantías, expresas o implícitas, tanto de comerciabilidad como de idoneidad para un propósito o de cualquier otro tipo.

The following are trademarks for one or more Porter-Cable and Delta products: Les marques suivantes sont des marques de commerce se rapportant à un ou plusieurs produits Porter-Cable ou Delta : Las siguientes son marcas comerciales para uno o más productos de Porter-Cable y Delta:

2 BY 4®, 890™, Air America®, AIRBOSS™, Auto-Set®, B.O.S.S.®, Bammer®, Biesemeyer®, Builders Saw®, Charge Air®, Charge Air Pro®, CONTRACTOR SUPERDUTY®, Contractor's Saw®, Delta®, DELTA®, Delta Industrial®, DELTA MACHINERY & DESIGN™, Delta Shopmaster and Design®, Delta X5®, Deltacraft®, DELTAGRAM®, Do It. Feel It.®, DUAL LASERLOC AND DESIGN®, EASY AIR®, EASY AIR TO GO™, ENDURADIAMOND®, Ex-Cell®, Front Bevel Lock®, Get Yours While the Sun Shines®, Grip to Fit®, GRIPVAC™, GTF®, HICKORY WOODWORKING®, Homecraft®, HP FRAMER HIGH PRESSURE®, IMPACT SERIES™, Innovation That Works®, Jet-Lock®, Job Boss®, Kickstand®, LASERLOC®, LONG-LASTING WORK LIFE®, MAX FORCE™, MAX LIFE®, Micro-Set®, Midi-Lathe®, Monsoon®, MONSTER-CARBIDE™, Network®, OLDHAM®, Omnijig®, PC EDGE®, Performance Crew™, Performance Gear®, Pocket Cutter®, Porta-Band®, Porta-Plane®, Porter Cable®, Porter-Cable Professional Power Tools®, Powerback®, POZI-STOP™, Pressure Wave®, PRO 4000®, Proair®, Quicksand and Design®, Quickset II®, QUIET DRIVE TECHNOLOGY™, QUIET DRIVE TECHNOLOGY AND DESIGN™, Quik-Change®, QUIK-TILT®, RAPID-RELEASE™, RAZOR®, Redefining Performance®, Riptide®, Safe Guard II®, Sand Trap and Design®, Sanding Center®, Saw Boss®, Shop Boss®, Sidekick®, Site Boss®, Speed-Bloc®, Speedmatic®, Stair Ease®, Steel Driver Series®, SUPERDUTY®, T4 & DESIGN®, THE AMERICAN WOODSHOP®, THE PROFESSIONAL EDGE®, Thin-Line®, Tiger Saw®, TIGERCLAW®, TIGERCLAW AND DESIGN®, Torq-Buster®, TRU-MATCH®, T-Square®, Twinlaser®, Unifence®, Uniguard®, UNIRIP®, UNISAW®, UNITED STATES SAW® Veri-Set®, Versa-Feeder®, VIPER®, VT™, VT RAZOR™, Water Driver®, WATER VROOM®, Waveform®, Whisper Series®, X5®, YOUR ACHIEVEMENT. OUR TOOLS.®

Trademarks noted with ® are registered in the United States Patent and Trademark Office and may also be registered in other countries. Other trademarks may apply. ú Les maques de commerce suivies du symbole ® sont enregistrées auprès du United States Patent and Trademark Office et peuvent être enregistrées dans d'autres pays. D'autres marques de commerce peuvent également être applicables. ú Lasmarcas comerciales con el símbolo ® están registradas en la Oficina de patentes y marcas comerciales de Estados Unidos (United States Patent and Trademark Office), y también pueden estar registradas en otros países. Posiblemente se apliquen otras marcas comerciales registradas.



Delta Machinery
4825 Highway 45 North
Jackson, TN 38305
(800) 223-7278
www.deltamachinery.com