

SEARS

*owner's
manual*

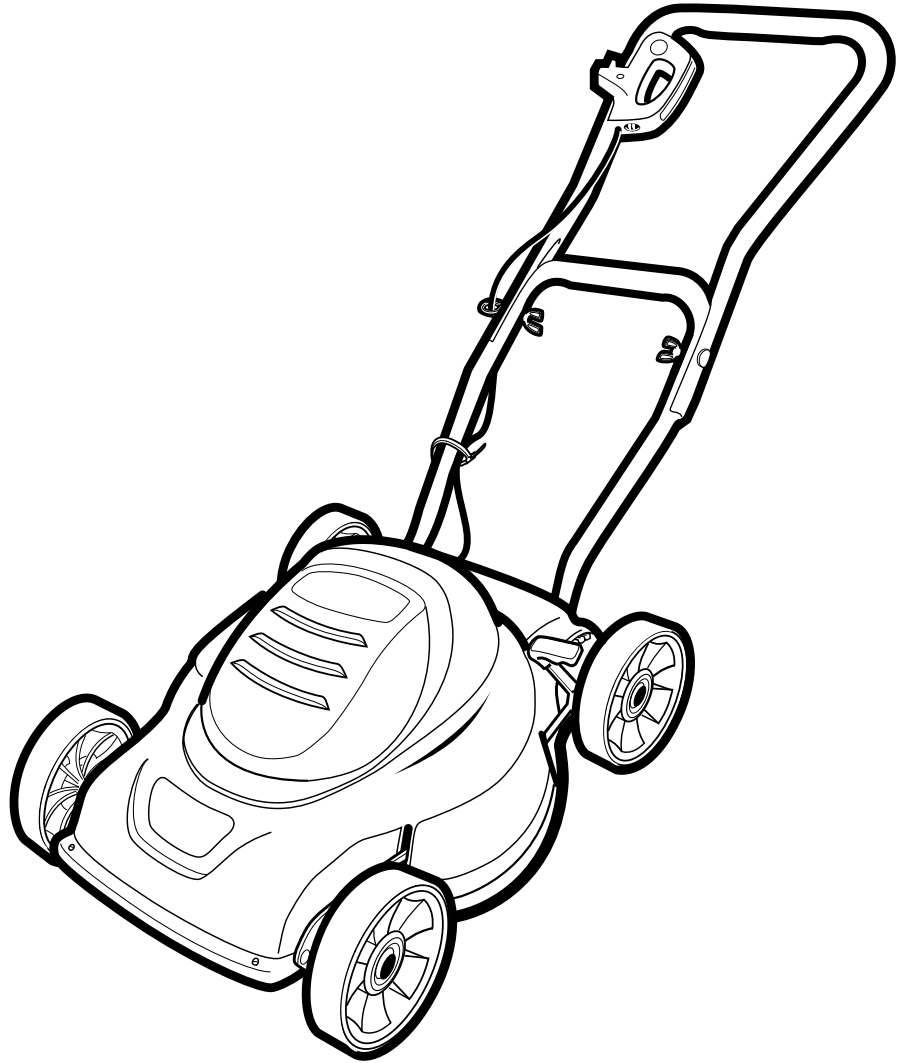
**Model No.
C935-352120**

- Assembly
- Operating Instructions
- Replacement Parts
- Warranty

CAUTION:
You must read and understand
this owner's manual before
operating unit.

SEARS
CRAFTSMAN®

18" MULCHING MOWER



SEARS CANADA INC., TORONTO, ONTARIO M5B 2B8

TABLE OF CONTENTS

Warranty	i
Safety	1
Assembly	2
Operation.....	3
Maintenance	7
Storage	8
Repair Parts.....	9
Parts Ordering Instructions.....	11

NOTICE

Safety specifications have been introduced in North America which relate to the design of lawnmowers intended for consumer use.

These specifications are intended to reduce the risks of blade contact injuries.

This lawnmower was designed to incorporate all such recommended design features. Example of such features are:

- Dead man controls and blade braking which bring the blade to rest within 3 seconds of the release of the control handle.
- Operator zone starting - to prevent restarting of the mower while being in the close vicinity of the cutter blade.

PLEASE DO NOT ATTEMPT TO CIRCUMVENT THESE FEATURES - THEY ARE INTENDED FOR YOUR SAFETY.

CRAFTSMAN® LAWNMOWER WARRANTY

For Two (2) years from the date of purchase, Sears Canada Inc. will repair or replace free of charge at Sears option any parts which are defective as a result of material or workmanship.

EXTENDED DECK WARRANTY

Craftsman lawnmower equipped with a resin deck includes a lifetime warranty on the deck. Parts and Labour included.

COMMERCIAL OR RENTAL USE

Warranty on Lawnmower will be 90 days from the date of purchase if used for Commercial or Rental purposes.

This Warranty does NOT cover:

1. Expendable items which become worn during normal operation such as blades.
2. Repairs necessary because of operator's abuse or negligence including damages to the motor as a result of striking objects (rocks, roots, tree stumps).
3. Failure to maintain the equipment according to the instructions contained in the Owner's Manual.
4. In Home service.

Warranty service is available by returning the Craftsman Electric Lawnmower to the nearest Sears Service Centre/Department in Canada. This warranty applies only while this product is in use in Canada.

This warranty is in addition to any statutory warranty and does not exclude or limit legal rights you may have but shall run concurrently with applicable provincial legislation. Furthermore, some provinces do NOT allow limitation on how long an implied warranty will last so the above limitations may not apply to you.

SEARS CANADA INC., TORONTO, ONTARIO M5B 2B8

IMPORTANT SAFETY RULES



WARNING: When using electric tools, basic safety precautions should always be followed to reduce the risk of fire, electric shock, and personal injury, including the following:

WARNING: This product contains chemicals, including lead, known to the State of California to cause cancer, and birth defects or other reproductive harm. Wash hands after handling.

WARNING: Some dust created by this product contains chemicals known to the State of California to cause cancer, birth defects or other reproductive harm. Some examples of these chemicals are:

- compounds in fertilizers
- compounds in insecticides, herbicides and pesticides
- arsenic and chromium from chemically treated lumber

To reduce your exposure to these chemicals, wear approved safety equipment such as dust masks that are specially designed to filter out microscopic particles.

CAUTION: Wear appropriate personal hearing protection during use. Under some conditions and duration of use, noise from this product may contribute to hearing loss.



IMPORTANT

GOVERNMENT REGULATIONS REQUIRE OPERATOR PRESENCE BLADE STOP CONTROLS TO MINIMIZE THE RISK OF BLADE CONTACT INJURY. YOUR MOWER IS EQUIPPED WITH SUCH CONTROLS. DO NOT ATTEMPT TO DEFEAT THE FUNCTION OF THE OPERATOR PRESENCE CONTROL UNDER ANY CIRCUMSTANCES.

- **KNOW YOUR MOWER** - Read the manual carefully. Be thoroughly familiar with the controls and the proper use of your mower.
- **AVOID DANGEROUS ENVIRONMENT** - Don't use your mower in the rain or in damp or wet locations. Don't operate it in gaseous or explosive atmospheres. Motors normally spark and the sparks might ignite fumes.
- **USE PROTECTIVE EQUIPMENT** - Wear safety spectacles or goggles while mowing (regular eyeglasses are not safety glasses). Use face or dust mask if operation is dusty. Safety spectacles are available at your Sears dealer.
- **KEEP GUARDS AND SHIELDS IN PLACE** - and keep in working order.
- **GUARD AGAINST ELECTRIC SHOCK** - Repair or replace damaged mower cord or extension cords immediately. To prevent disconnection of mower cord from the extension cord during use, knot the cords exactly as shown on Page 4, Figure 10.
- **DANGER: KEEP AWAY FROM BLADE AREA** - Risk of cut - Keep hands and feet away from blade. Don't attempt to remove cut material or unclog chute when blade is moving.
- **DISCONNECT TOOL** - Release switch lever to turn off mower and unplug cord from receptacle or extension cord when tool is not in use, before making adjustments, before servicing, cleaning and when changing blade.
- **KEEP CHILDREN AWAY** - All visitors should be kept a safe distance from work area.
- **STORE IDLE LAWNMOWER INDOORS** - When not in use, tool should be stored indoors in a dry place, locked up - out of reach of children.
- **DON'T FORCE THE MOWER** - It will do the job better and safer at the rate for which it was designed.
- **USE RIGHT TOOL** - Do not use tool for any job except that for which it is intended.
- **DRESS PROPERLY** - Do not wear loose clothing or jewelry. They can be caught in moving parts. Use of substantial rubber-soled footwear is recommended.
- **DON'T ABUSE CORD** - Never carry tool by cord or yank it to disconnect from receptacle. Keep cord from heat, oil and sharp edges.
- **WARNING** - To reduce the risk of electric shock hazard use only with an extension cord suitable for outdoor use. Always connect extension cords to a fused line or one protected by a circuit breaker.
- **DON'T OVERREACH** - Keep proper footing and balance at all times.
- **WARNING** - Use extreme caution when backing up with mower. Always look where you are walking.
- **MAINTAIN TOOLS WITH CARE** - Keep blade sharp and clean for best and safest performance. Follow instructions for changing accessories.
- **AVOID ACCIDENTAL STARTING** - Be sure switch is off when plugging in.
- **OBJECTS STRUCK BY THE LAWNMOWER BLADE** can cause severe injuries to persons. The lawn should always be carefully examined and cleared of all objects prior to each mowing.
- **IF MOWER STRIKES A FOREIGN OBJECT** follow these steps: (a) Release switch lever to turn off power, (b) Unplug power cord, (c) Inspect for damage, (d) Repair any damage before restarting and operating the mower.
- **USE IDENTICAL REPLACEMENT BLADES ONLY.**
- **WHEN SERVICING** - Use only identical replacement parts.
- **READ THIS OWNER'S MANUAL CAREFULLY.** Be thoroughly familiar with the controls and the proper use of the equipment.
- **NEVER ALLOW CHILDREN TO OPERATE A POWER MOWER.**
- **KEEP THE AREA OF OPERATION CLEAR** of all persons, particularly small children and pets.
- **THOROUGHLY INSPECT THE AREA** where the equipment is to be used and remove all stones, sticks, wires, bones, and other foreign objects that could be thrown by the blade.
- **DO NOT OPERATE THE EQUIPMENT WHEN BAREFOOT OR WEARING OPEN SANDALS.** Always wear substantial footwear.
- **NEVER ATTEMPT TO MAKE A WHEEL HEIGHT ADJUSTMENT WHILE MOTOR IS RUNNING** or while the mower is plugged in.
- **MOW ONLY IN DAYLIGHT OR IN GOOD ARTIFICIAL LIGHT.**
- **NEVER OPERATE THE EQUIPMENT IN WET GRASS.** Always be sure of your footing; keep a firm hold of the handle and walk; never run.
- **DO NOT PUT HANDS OR FEET NEAR OR UNDER ROTATING PARTS.** Keep clear of the discharge opening at all times.
- **RELEASE SWITCH LEVER TO TURN MOWER OFF** when crossing gravel drives, walks or roads.
- **IF THE MOWER STALLS,** be sure to release switch lever to turn mower off and unplug the cord before attempting to unclog the chute or remove anything from under the deck.
- **AFTER STRIKING A FOREIGN OBJECT,** release switch lever to turn mower off and unplug the mower, thoroughly inspect the mower for any damage and repair the damage before restarting and operating the mower.
- **IF THE EQUIPMENT SHOULD START TO VIBRATE ABNORMALLY** release switch lever, unplug the mower and check immediately for the cause. Vibration is generally a warning of trouble.
- **RELEASE SWITCH LEVER** to turn mower off and unplug the mower whenever you leave the equipment, before unclogging the deck or chute, or cleaning the mower housing, and when making any repairs or inspections.
- **WHEN CLEANING, REPAIRING, OR INSPECTING,** make certain the blade and all moving parts have stopped.
- **SHUT THE MOTOR OFF AND WAIT UNTIL THE BLADE COMES TO A COMPLETE STOP** before removing the grass catcher.
- **MOW ACROSS THE FACE OF SLOPES; NEVER UP AND DOWN.** Exercise extreme caution when changing direction on slopes. Do not mow excessively steep slopes.
- **NEVER OPERATE THE MOWER** without proper guards, plates, or other safety protective devices in place.



LOOK FOR THIS SYMBOL TO POINT OUT IMPORTANT SAFETY PRECAUTIONS. IT MEANS — ATTENTION!!! BECOME ALERT!!! YOUR SAFETY IS INVOLVED.

ASSEMBLY

UNPACKING AND ASSEMBLY

BEFORE ASSEMBLING YOUR MOWER, CHECK THAT YOU HAVE RECEIVED THE FOLLOWING IN THE SHIPPING CARTON. SEE FIGURE 1.

- A. Mower
- B. Upper Handle
- C. Lower Handle
- D. Discharge Chute
- E. Plastic Bag with handle bolt, wing nuts, star washers, cable tie and shroud hole covers.

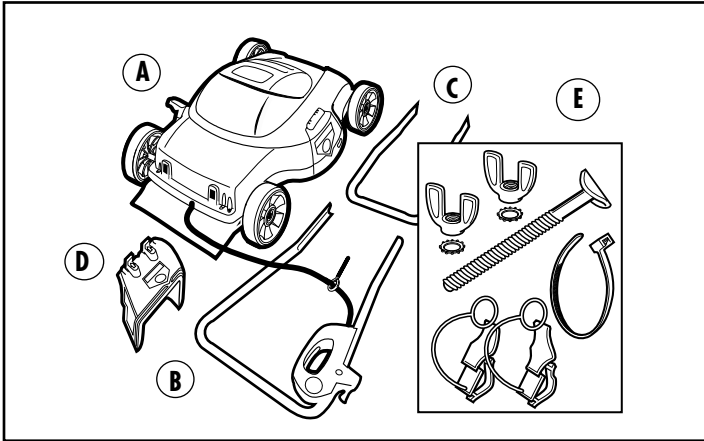


FIGURE 1

ASSEMBLING THE HANDLE

1. Your mower carton contains the mower, 2 handles, discharge chute and 1 plastic parts bag.
2. Fasten the upper and lower handle halves together using the eye bolt (already installed on the power cord) and the bolt and wing nuts from the plastic bag. **Make sure the power cord and switch are on the same side of the mower as the discharge area.** The eye bolt is installed so that the cord is routed to the outside. Place star washers on the bolts between handle and the wing nuts. Tighten the wing nuts securely.

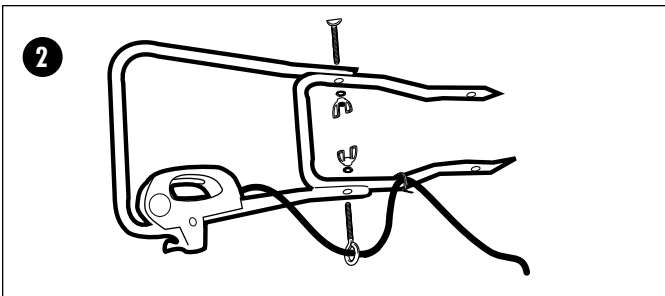


FIGURE 2

ATTACHING THE HANDLE

1. **UNPLUG TOOL, AND WAIT FOR BLADE TO COME TO A COMPLETE STOP.**
2. Brace the front end of the mower so that it cannot roll forward.
3. Slide the shroud hole cover retaining loop over the end of the handle. Ensure that the arrows on the hole covers are pointing towards each other when installed. (Figure 3A)
4. Align the ends of the lower handle with the holes in the lawnmower shroud. (Figure 3B)
5. Push the handles into the lawnmower until they are fully engaged taking care not to pinch or damage the power cord.
6. Pull back on the handles to ensure a secure fit.
7. Install shroud hole covers by inserting the bottom edge of the shroud hole cover onto the bottom edge of the shroud, then rotate hole cover forward and push down until it is firmly snapped into position in the shroud. (Figure 3C)
8. Install cable tie on lower handle to secure cord.

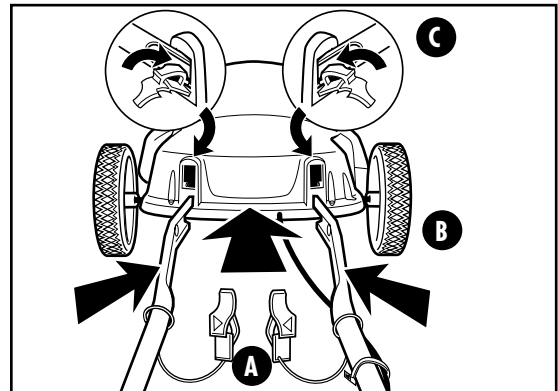


FIGURE 3



CAUTION: NEVER use a sharp object to move jacketed wires out of the way.

MULCHING

The mower is designed to mulch or discharge the grass depending on whether the mulch door is closed (mulching) or the mulch door is up and the discharge chute is in place (discharging). No further assembly steps are required if you are mulching. PROCEED TO OPERATION SECTION PAGE 6.

DISCHARGE CHUTE INSTALLATION

(If you wish to discharge the clippings rather than mulch, perform these steps)

1. **UNPLUG TOOL, AND WAIT FOR BLADE TO COME TO A COMPLETE STOP.**
2. Open mulch door by pulling on the mulch door finger grip. (Figure 4A)
3. Align the discharge chute arrows with the positioning arrows on the lawnmower deck and insert the discharge chute as shown.
4. Position the chute until the chute hooks are trapped under the deck hooks and release the chute and door. (Figure 4B)

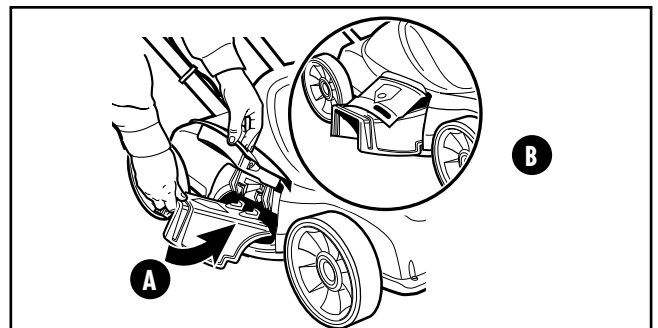


FIGURE 4

OPERATION

KNOW YOUR MOWER

READ THIS OWNER'S MANUAL AND SAFETY RULES BEFORE OPERATING YOUR MOWER. Compare the illustrations with your mower to familiarize yourself with the location of various controls and adjustments. Save this manual for future reference.

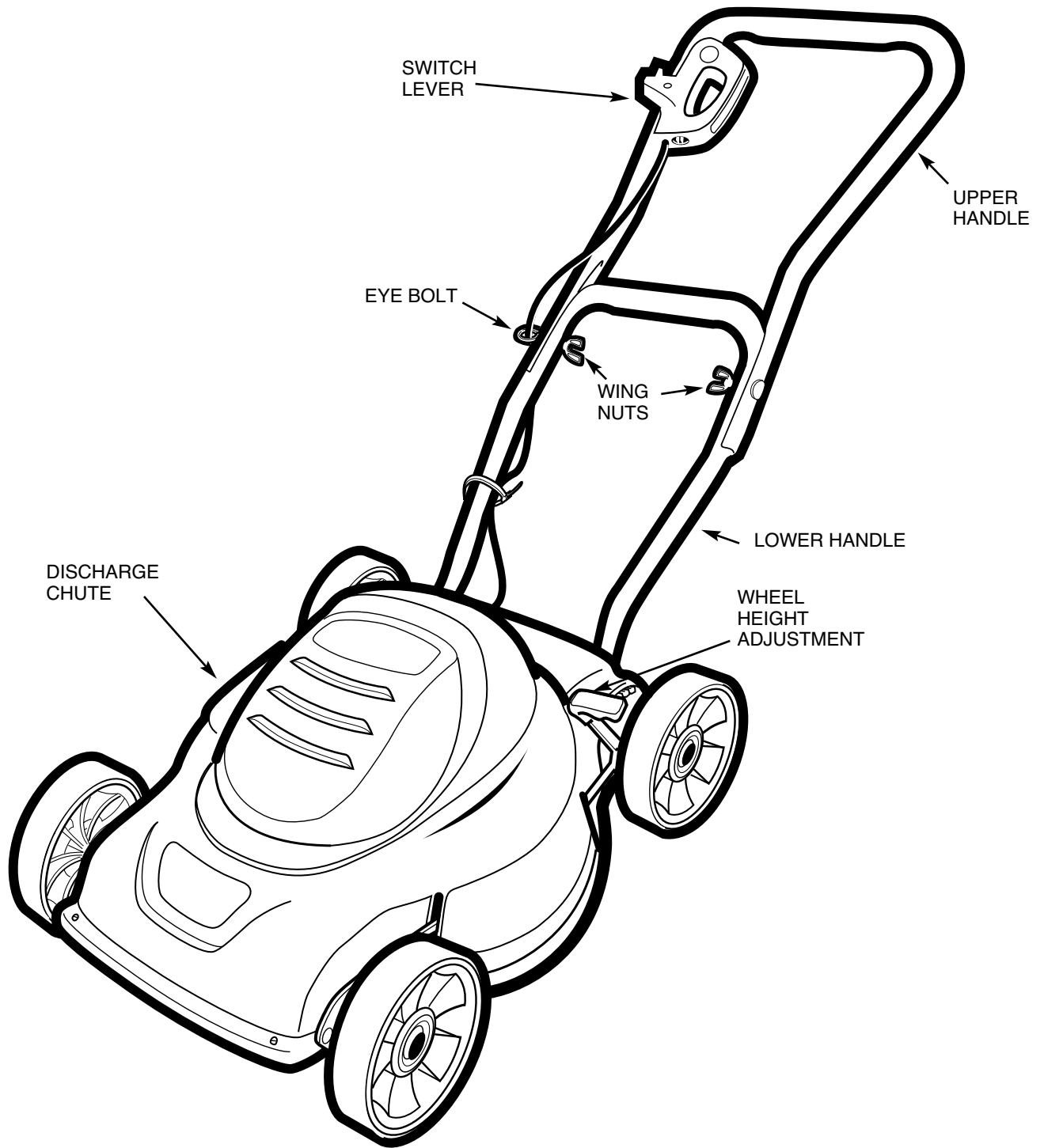


FIGURE 5

OPERATION



THE OPERATION OF ANY LAWNMOWER CAN RESULT IN FOREIGN OBJECTS THROWN INTO THE EYES, WHICH CAN RESULT IN SEVERE DAMAGE. ALWAYS WEAR SAFETY GLASSES OR EYE SHIELDS BEFORE STARTING YOUR LAWNMOWER AND WHILE MOWING. WE RECOMMEND WIDE-VISION SAFETY MASK FOR OVER THE SPECTACLES OR STANDARD SAFETY GLASSES, AVAILABLE AT SEARS RETAIL OR CATALOGUE STORES.

DOUBLE INSULATION

Your Mower is DOUBLE INSULATED to give you added safety. This means that it is constructed throughout with TWO separate "layers" of electrical insulation or one DOUBLE thickness of insulation between you and the tool's electrical system.

Tools built with this insulation system are not intended to be grounded. As a result, your mower is equipped with a two-prong plug which permits you to use extension cords without concern for maintaining a ground connection.

NOTE: A lawnmower is a major appliance and should not be operated simultaneously with other major appliances on the same house circuit.



Warning: Make sure that other persons and pets are at least 100 feet away.



CAUTION: WHEN SERVICING ALL TOOLS, USE ONLY IDENTICAL REPLACEMENT PARTS. REPAIR OR REPLACE DAMAGED CORDS.

INSPECT CUTTING AREA



Remove all stones, sticks, wire, stones, and other debris which might be thrown by the rotating blades.

POLARIZED PLUG

To reduce the risk of electric shock, this equipment has a polarized plug (one blade is wider than the other). This equipment must be used with a suitable polarized 2 wire or 3 wire extension cord. Polarized connections will fit together only one way. Make sure that the receptacle end of the extension cord has large and small blade slot widths. If the plug does not fit fully into the extension cord, reverse the plug. If it still does not fit, obtain a suitable extension cord. If the extension cord does not fit fully into the outlet, contact a qualified electrician to install the proper outlet. Do not modify the lawnmower plug or extension cord in any way.

ATTACHING EXTENSION CORD TO MOWER (FIGURE 6)

DO NOT connect the extension cord to power source until you have finished reading this manual and you are ready to start mowing.

1. The extension cord must be polarized and will only plug in one way, orient the wide slot with the wide blade in the switch housing.
2. Loop the extension cord and push the loop up through the hole in the switch housing.
3. Pull the extension cord on the side of the loop that is plugged into the switch housing and remove all the slack in this section of the extension cord.
4. Place the loop over the strain relief tab on the switch housing and pull the extension cord so the loop draws down around the strain relief tab as shown in the detail. Double check to see that you did not loosen the extension cord.

EXTENSION CORDS

Double insulated tools have 2-wire cords, and can be used with 2-wire or 3-wire extension cords. Only round jacketed extension cords should be used, and we recommend that they be listed by Underwriters Laboratories (U.L.) and C.S.A. If the extension cord will be used outside, the cord must be suitable for outdoor use. Any cord marked as outdoor can also be used for indoor work.

An extension cord must have adequate wire size (AWG or American Wire Gauge) for safety, and to prevent loss of power and overheating. The smaller the gauge number of the wire, the greater the capacity of the cable, that is 16 gauge has more capacity than 18 gauge. When using more than one extension to make up the total length, be sure each individual extension contains at least the minimum wire size.

To determine the minimum wire size required, refer to the chart below: (Refer to your mower's nameplate to find the Ampere rating)

Make sure your extension cord is in good condition. Cord insulation must be intact with no cracks or deterioration. Plug connectors must be undamaged. When using an extension cord, be sure to use one heavy enough to carry the current your product will draw. An undersized extension cord will cause a drop in line voltage resulting in loss of power and overheating, which can shorten the life of the motor. The table shows the correct size to use depending on cord length and nameplate ampere rating. If in doubt, use the next heavier gauge. The smaller the gauge number, the heavier the cord.

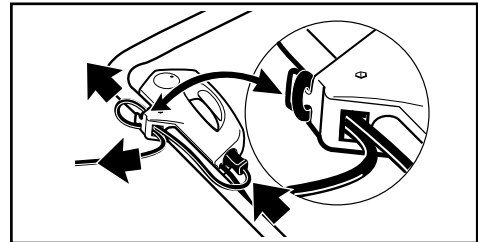


FIGURE 6

120 Volts Ampere Rating More Not More Than Than	Total Length of Cord in Feet			
	25	50	100	150
	A.W.G.			
0 - 6	18	16	16	14
6 - 10	18	16	14	12
10 - 12	16	16	14	12
12 - 16	14	12	NOT RECOMMENDED	

OPERATION

SWITCH USE

Your mower is equipped with a special switch. To operate the switch, insert your finger into the opening (Figure 7) and push the lever out so that you can grasp it with your other hand. Pull the lever back to turn the unit on and hold it against the mower handle to keep it running. To turn the mower off, just release the lever. The spring loaded "SNAP ACTION" lever will quickly turn the mower off.

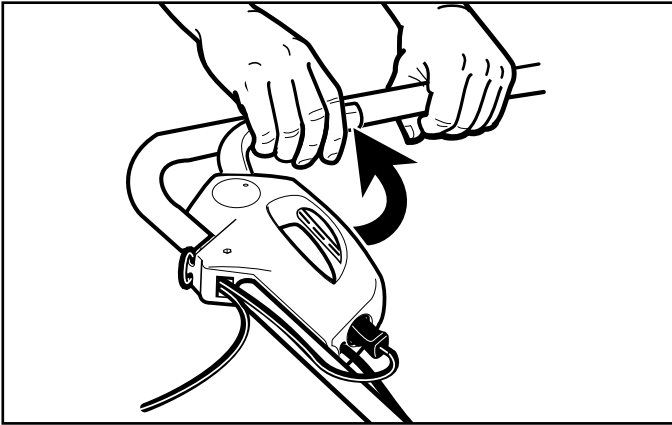


FIGURE 7



CAUTION: NEVER ATTEMPT TO OVERRIDE THE OPERATION OF THIS SWITCH.

EXTENSION CORD TO ELECTRICAL OUTLET (FIGURE 8)

1. Place most of the extension cord close to the electrical outlet, out of the path of the mower. Attach extension cord to mower.
2. Start in direction where extension cord side of mower is closest to the outlet. Begin mowing in the area closest to the outlet and mow in a back and forth manner. Note the cord is kept on cut portion of lawn and out of the path of the mower. (Figure 8)
3. Avoid mowing in circles as cord will be harder to manage.

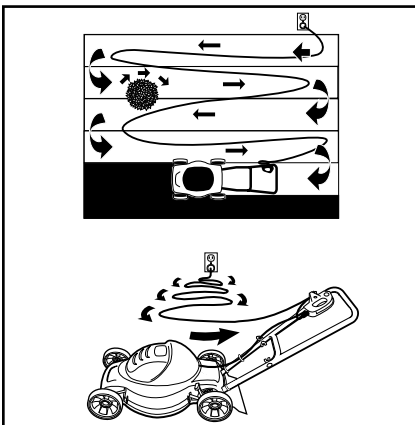


FIGURE 8



CAUTION: DO NOT PLUG EXTENSION CORD INTO RECEPTACLE OUTLET WHILE STANDING IN WATER OR WHEN HANDS ARE WET.

RECOMMENDED APPROXIMATE CUTTING HEIGHT

The cutting height should be higher in hot weather or shade, and lower for the last mow before winter.

COOL SEASON GRASSES		
TYPE	SHADE	SUN
CREeping BENT GRASS	1-1/3"	2/3"
VELVER BENT GRASS	1/4"	1/2"
ANNUAL BLUEGRASS	1/2"	1"
CANADA BLUEGRASS	3"	4"
KENTUCKY BLUEGRASS	2-1/2"	3"
ROUGH BLUEGRASS	1"	1-1/2"
SMOOTH BROMEGRASS	3"	4"
FINE RESUE	1-1/2"	2-1/2"
TALL FESCUE	2-1/2"	4"
ANNUAL RYEGRASS	2"	2-1/2"
WARM SEASON GRASSES		
TYPE	SHADE	SUN
BAHIA GRASS	2"	3"
BERMUDA GRASS	1/2"	1"
BUFFALO GRASS	1-1/2"	2-1/2"
CARPET GRASS	1"	2"
CENTIPEDE GRASS	1"	2"
ST. AUGUSTINE GRASS	2"	3"
ZOYSIA GRASS	1/2"	1"

NOTE: The cut height range for your mower is 1" - 3-1/2"

WHEEL HEIGHT ADJUSTMENT (FIGURE 9)

1. BEFORE MAKING ANY ADJUSTMENTS, TURN OFF, UNPLUG MOWER AND WAIT FOR BLADE TO STOP.
2. Your mower features the Craftsman single lever wheel height adjust system. This system will adjust all four wheels at the same time. Mower adjusts from 1 to 3 1/2" with six increments.
3. Place your left hand on the height adjust handle and your right hand on the lower handle as shown in Figure 9.
4. Pull height adjust handle away from mower, and re-set in the desired height adjust position. (See recommended cut height by grass type - above) Rotating the height adjust towards the front of the mower lowers the cut height, and rotating towards the rear raises the cut height.

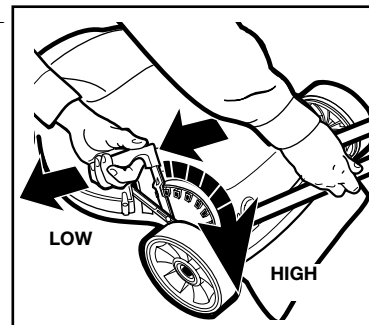


FIGURE 9

CUTTING HEIGHT POSITIONS

Position	Cut
1 (LOW)	1"
2	1-1/2"
3	2"
4	2-1/2"
5	3"
6 (HIGH)	3-1/2"

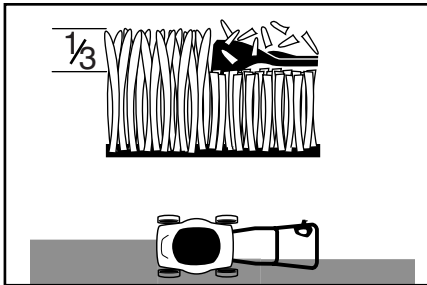
OPERATION

MULCHING MOWING TIPS

In the mulching configuration your new mower is designed to re-cut the grass clippings into short lengths.

These clippings, which are dispersed as you mow will biodegrade quickly and provide nutrients for the lawn.

- Set mower at highest cutting height when mowing in rough ground or in tall weed.
- Avoid cutting the lawn when it is wet. Wet grass tends to form clumps with the mulching action. The best time to cut your lawn is in the afternoon.
- For best results, adjust the lawnmower cutting height so that the lawnmower cuts off only the top third of the grass blades.
- If your lawn is overgrown it may be necessary to increase the cutting height to reduce the pushing effect and prevent overloading the motor.
- For extremely heavy mulching use narrower cuts and mow slowly.
- Change your cutting pattern from week to week. Mow north to south one week and east to west the next week. This will help prevent matting and graining of the lawn.



CAUTION: DO NOT ATTEMPT TO UNCLOG THE BLADE CHAMBER BY DROPPING OR TAPPING THE TOOL ON THE GROUND. THIS CAN DAMAGE THE UNIT. KEEP HANDS CLEAR OF BLADE WHEN CLEANING.

DISCHARGING

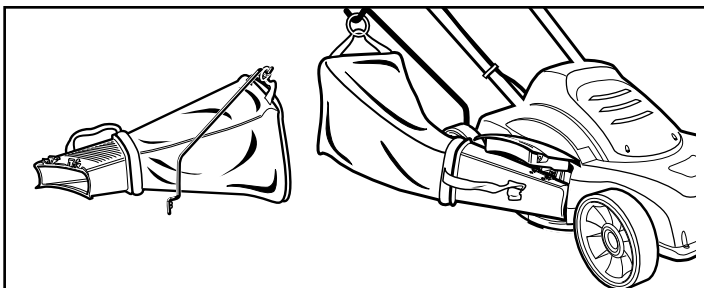
The mower is designed to disperse the clippings back to the lawn.

1. Discharging may be necessary if the grass fills the optional bag too quickly.
2. Clippings may be further dispersed, if needed, by blowing them with a yard blower.
3. In heavy grass conditions, a narrower pass may be required.

OPTIONAL GRASS BAG (AVAILABLE AS AN OPTION AT EXTRA COST)

It is recommended to bag the clippings for the first few spring mowings and the last mowing of the season to discourage diseases. (Sears Sku #38215)

1. Bagging the clipping is sometimes preferred to reduce tracking of clippings into pools, hot tubs, and homes.
2. Clippings can be added to your compost bin and used later for a natural fertilizer.



OTHER MOWING TIPS

- Mow across the face of slopes, never up-and-down. Exercise extreme caution when changing direction on slopes. Do not mow excessively steep slopes. Always maintain good footing.
- Release switch to turn mower "OFF" when crossing any graveled area (stones can be thrown by the blade).
- Set mower at highest cutting height when mowing on rough ground or in tall weeds.
- From time to time turn off mower-UNPLUG CORD-turn mower on its side. Using an object such as a stick, wipe out any accumulation of grass in the blade area. Be careful of the sharp edges of the blade. If a grass catcher is used during the fast growing season, the grass may tend to clog up at the discharge opening. Turn the switch "OFF" and disconnect the power cord plug. Remove the catcher and shake the grass down to the back end of the bag. Also clean out any grass or debris which may be packed around the discharge opening. Replace the grass catcher. Clean often in wet, spring grass.
- If mower should start to vibrate abnormally, turn mower "OFF" and unplug power cord. Check immediately for cause. Vibration is a warning of trouble. Do not operate mower until a service check has been made.
- ALWAYS TURN THE SWITCH OFF AND UNPLUG THE MOWER WHEN LEAVING IT UNATTENDED EVEN FOR A SHORT PERIOD OF TIME.
- When you are finished mowing, turn mower "OFF", and unplug the extension cord at the electrical outlet before coiling it for storage.

MAINTENANCE

Before each mowing session unplug the mower and ensure that the blade has stopped. Check all nuts, bolts and screws to ensure proper tightness, Be sure to check the blade fastening system.

IMPORTANT: To assure product SAFETY and RELIABILITY, repairs, maintenance and adjustment (including brush inspection and replacement) should be performed by SEARS Service Centres or other qualified service organizations, always using Sears replacement parts. When servicing use **ONLY IDENTICAL REPLACEMENT PARTS.**

Inspect and thoroughly clean your mower at the beginning of each mowing season for longer life and better performance.

From time to time turn the mower off and wait for the blade to stop. Then unplug the power cord and turn the mower on its side. Using an object such as a stick or rag, wipe out any accumulation of grass in the blade area. Also clean out any grass or debris which may be packed around the discharge/mulch door area. Be careful of the sharp edges of the blade.

SERVICE and ADJUSTMENTS

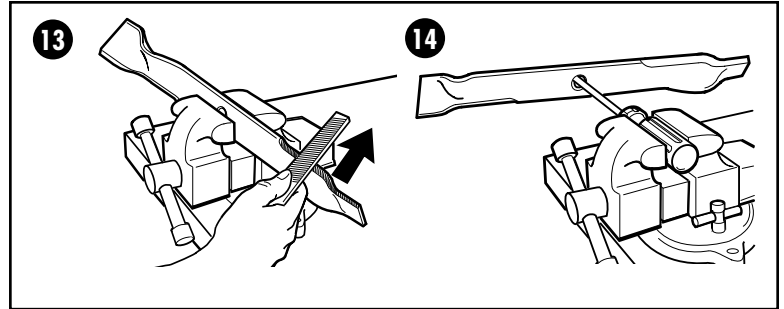
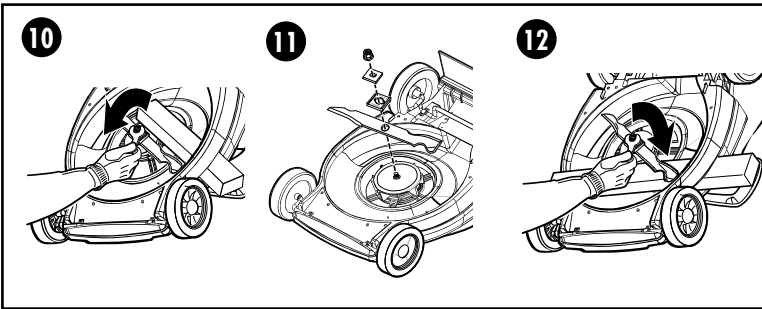
REMOVING AND ATTACHING BLADES (FIGURE 10,11,12)

1. **RELEASE SWITCH LEVER TO TURN MOWER OFF, WAIT FOR THE BLADE TO STOP, AND UNPLUG MOWER!**
2. Use a piece of 2x4 wood (about 2 feet long) to keep blade from turning while removing blade nut.
3. Wear gloves. Position wood and remove nut as shown in Figure 10.
4. Remove lower blade spacer, lower insulator washer and blade. (Figure 11)
5. When replacing sharpened or new blade on shoulder of fan, make sure the "GRASS SIDE" identification on the blade is facing the ground. Place lower insulator washer over shoulder of the fan. Now place lower blade spacer and the blade nut on the shaft.

NOTE: Align flats of shaft with flats in lower insulator washer and lower the blade space. Position wood to keep shaft from turning (Figure 12) and then securely tighten blade nut.

SHARPENING AND BALANCING THE BLADE: (FIGURE 13,14)

1. **BE SURE THE SWITCH LEVER IS RELEASED AND THE BLADE HAS STOPPED AND THE CORD UNPLUGGED BEFORE REMOVING THE BLADE.**
2. Remove blade from mower. See instructions for removing and attaching blade.
3. Secure blade in a vise as shown in Figure 13.
4. Wear safety glasses and be careful not to cut yourself.
5. Carefully file the cutting edges of the blade with a fine tooth file or sharpening stone.
6. Check balance of blade by placing centre hole in blade over a nail or screwdriver shank, clamped horizontally in a vise. If either end of the blade rotates down, file off additional material from that end. Blade is properly balanced when neither end drops. (Figure 14)
7. Replace blade on mower and tighten securely.



LUBRICATION

No lubrication is necessary. Do not oil the wheels. They have plastic bearing surfaces which require no lubrication.

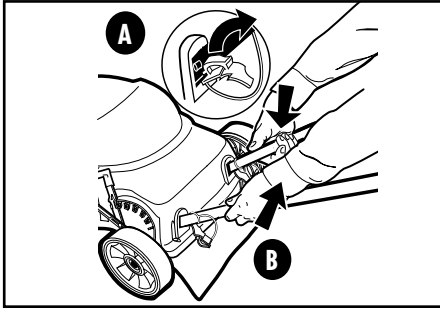
STORAGE

REMOVING THE HANDLE

1. **UNPLUG TOOL, AND WAIT FOR BLADE TO COME TO A COMPLETE STOP.**
2. Brace the rear of the mower so that it cannot roll backward.
3. Push down on the shroud hole cover tab, and rotate the shroud hole cover out of the shroud. (Figure A)
4. Grasp the ends of the lower handle with both hands. Squeeze the two sides of the handle towards one another while pulling back on the handle. (Figure B)



CAUTION: NEVER USE A SHARP OBJECT TO MOVE JACKETED WIRES OUT OF THE WAY.



CLEANING AND STORAGE

Warning! Be sure the tool is unplugged.

Remove and clean any debris from the outside of the mower and inside of guard before storage. Store under cover. See **MAINTENANCE** section.

NOTE: Do not store the tool on or adjacent to fertilizers or chemicals. Such storage can cause rapid corrosion to metal parts.

PREVENTING CORROSION

Fertilizers and other garden chemicals contain agents that greatly accelerate the corrosion of metals. If you use the tool in areas where fertilizers or chemicals have been used, the tool should be cleaned immediately afterwards. Wipe all exposed parts with a damp cloth. You may lubricate only metal parts with a light petroleum based oil. Do not lubricate wheels.

Cleaning out the underside of the mower is done easiest immediately after mowing (**ENSURE MOWER IS UNPLUGGED AND BLADE HAS STOPPED**). A rag, crumpled newspaper or paper towels, can be used to wipe out caked clippings. A clean mowing deck improves the efficiency of the blade and maintains high performance. When cleaning, **DO NOT** immerse tool in water or squirt it with a hose or pressure washer. Use only mild soap and damp cloth to clean the mower. Never let any liquid get inside the mower; never immerse any part of the mower into a liquid.



CAUTION: DO NOT POUR OR SPRAY WATER ON THE MOWER IN AN ATTEMPT TO CLEAN IT.

TROUBLE SHOOTING/CORRECTIVE ACTION GUIDE:

PROBLEM	CORRECTIVE ACTION
- Motor will not start	- Check fuse or circuit breaker to ensure power is to outlet. - Check extension cord with another electrical device to ensure cord is good. - Call customer service representative 1 800 4 MY HOME
- Motor keeps slowing down	- The underside of the mower may be plugged with clippings, UNPLUG mower and clean out. - Grass may be too tall, try pushing at a slower pace, or raise cut height. - Check blade sharpness and balance, and correct if required. - If mulching, it may be too much grass, UNPLUG mower and attach discharge chute to disperse grass.
- Runs but poor cut results	- The blade may be dull, unplug mower and carefully check for sharpness. - Blade may be damaged (bent or badly chipped), UNPLUG mower and replace if necessary. - Grass may be too high or thick for cutting height, UNPLUG mower and raise cutting height.
- Excess vibration	- Blade may be loose, UNPLUG mower and check blade for tightness. - Blade may be bent or badly chipped, UNPLUG mower and replace if necessary. - Blade may be unbalanced. Refer to blade balancing section of instruction manual.
- Mower is hard to push	- Mower is too close to the ground with the amount of grass being cut, UNPLUG mower and raise cutting height. - UNPLUG mower and check wheels and axles to ensure all are rotating easily.
- Mower leaves clumps of grass	- Too much grass, UNPLUG mower and raise cutting height. - If mulching, it may be too much grass, UNPLUG mower and attach discharge chute to disperse grass - UNPLUG mower and carefully check blade for sharpness. - Grass may be too wet to cut. Wait for grass to dry.
- Discharge/Bag plugging	- Grass may be too wet, try again when grass is dry. - Too much grass, UNPLUG mower and raise cutting height.

SEARS LAWNMOWER - MODEL NUMBER C935-352120

PICTURE OF UNIT WITH
CALLOUTS

PARTS LIST

SEARS

owner's manual

**Models
C935-352120**

SEARS

*SERVICE
is
at
YOUR
SERVICE*

Model may be found on the Nameplate on rear of mower housing.

You should record Model Number and keep in a safe place for future reference.

HOW TO ORDER REPAIR PARTS

Each lawnmower has its own MODEL NUMBER.

The MODEL NUMBER for the lawnmower will be found on a plate attached to your lawnmower at the REAR OF THE HOUSING.

Always mention the MODEL NUMBER when requesting service or repair parts for your lawnmower.

All parts listed herein may be ordered through SEARS CANADA INC. RETAIL OR CATALOGUE STORES AND SERVICE CENTRES. If the parts you need are not stocked locally, your order will be electronically transmitted to a SEARS Parts Distribution Centre for expedited handling.

When ordering parts by mail, selling prices will be furnished on request or parts will be shipped at prevailing prices and you will be billed accordingly.

WHEN ORDERING REPAIR PARTS, ALWAYS GIVE THE FOLLOWING INFORMATION:

1. PART NUMBER
2. PART DESCRIPTION
3. MODEL NUMBER
4. NAME OF THE ITEM

Your Sears merchandise takes on added value when you discover that Sears has service units throughout the country. Each is staffed by Sears-trained, professional technicians using Sears-approved methods.

SEARS

CANADA INC.,

TORONTO,

ONTARIO

M5B 2B8

Get it fixed, at your home or ours!

Just Call:

1-800-4-MY-HOME[®]

(1-800-469-4663)

24 hours a day, 7 days a week

For the repair of major brand appliances **in your own home** ...
no matter who made it, no matter who sold it!

For your nearest **Sears Parts & Service** location,
to bring in products like vacuums, lawn equipment and electronics.

For **Sears Parts & Service**, to order the replacement parts,
accessories and owner's manuals that you need to do-it-yourself.

sears.ca

To purchase or inquire about a Sears Maintenance Agreement, call:

1-800-361-6665

9 a.m. – 8 p.m. Mon. – Fri. EST, 9 a.m. – 4 p.m. Sat.

Pour service en français:

1-800-LE-FOYER^(MD)

(1-800-533-6937)

sears.ca



®/™ Trademarks of Sears, Roebuck and Co. used under license by Sears Canada
(MD)Marque déposée/ (MC)Marque de commerce de Sears, Roebuck and Co. utilisée en vertu d'une licence de Sears Canada