

# SEARS

*owner's  
manual*

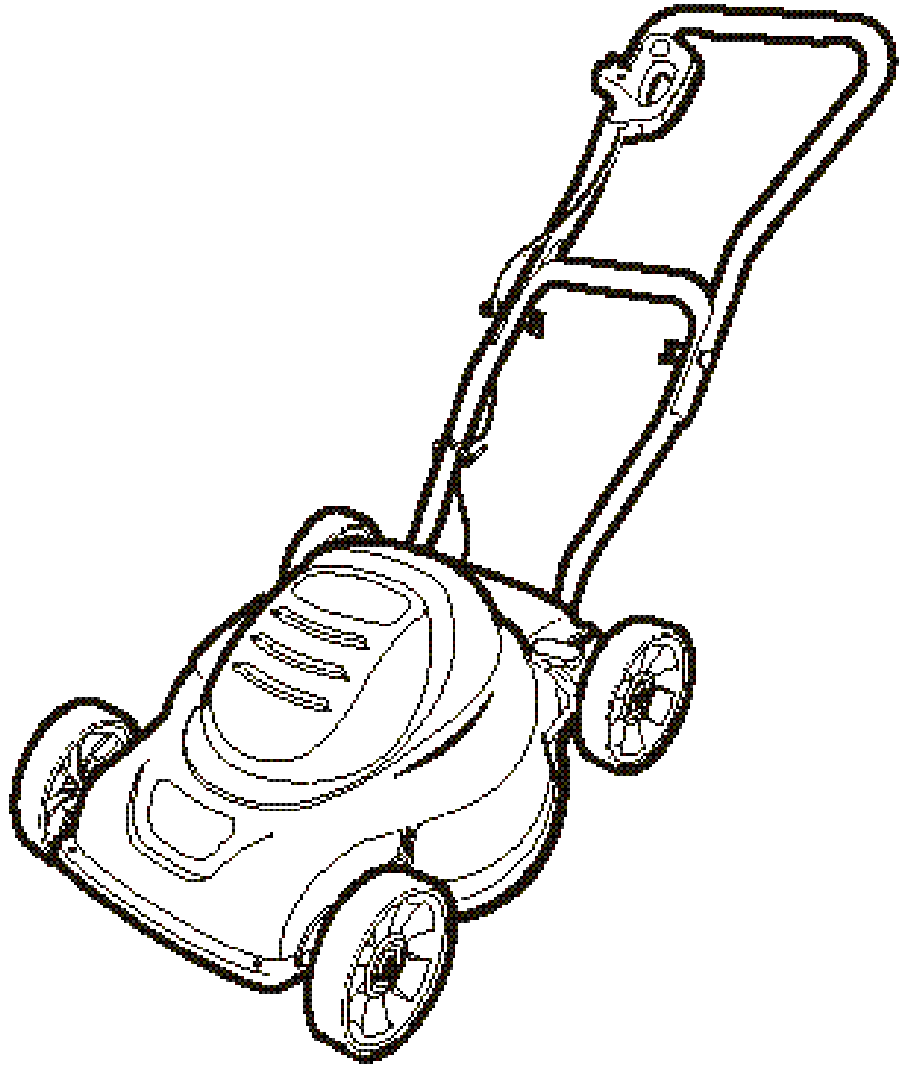
**Model No.  
C935-355170**

- Assembly
- Operating Instructions
- Replacement Parts
- Warranty

**CAUTION:**  
You must read and understand  
this owner's manual before  
operating unit.

# SEARS CRAFTSMAN®

## 18" MULCHING MOWER



**SEARS CANADA INC., TORONTO, ONTARIO M5B 2B8**

# TABLE OF CONTENTS

Warranty .....	i
Safety .....	1
Assembly .....	2
Operation.....	3
Maintenance .....	7
Storage .....	8
Repair Parts.....	9
Parts Ordering Instructions.....	11

## NOTICE

Safety specifications have been introduced in North America which relate to the design of lawnmowers intended for consumer use.

These specifications are intended to reduce the risks of blade contact injuries.

This lawnmower was designed to incorporate all such recommended design features. Example of such features are:

- Dead man controls and blade braking which bring the blade to rest within 3 seconds of the release of the control handle.
- Operator zone starting - to prevent restarting of the mower while being in the close vicinity of the cutter blade.

**PLEASE DO NOT ATTEMPT TO CIRCUMVENT THESE FEATURES - THEY ARE INTENDED FOR YOUR SAFETY.**

## CRAFTSMAN® LAWNMOWER WARRANTY

For Two (2) years from the date of purchase, Sears Canada Inc. will repair or replace free of charge at Sears option any parts which are defective as a result of material or workmanship.

### **EXTENDED DECK WARRANTY**

Craftsman lawnmower equipped with a resin deck includes a lifetime warranty on the deck. Parts and Labour included.

### **COMMERCIAL OR RENTAL USE**

Warranty on Lawnmower will be 90 days from the date of purchase if used for Commercial or Rental purposes.

This Warranty does NOT cover:

1. Expendable items which become worn during normal operation such as blades.
2. Repairs necessary because of operator's abuse or negligence including damages to the motor as a result of striking objects (rocks, roots, tree stumps).
3. Failure to maintain the equipment according to the instructions contained in the Owner's Manual.
4. In Home service.

Warranty service is available by returning the Craftsman Electric Lawnmower to the nearest Sears Service Centre/Department in Canada. This warranty applies only while this product is in use in Canada.

This warranty is in addition to any statutory warranty and does not exclude or limit legal rights you may have but shall run concurrently with applicable provincial legislation. Furthermore, some provinces do NOT allow limitation on how long an implied warranty will last so the above limitations may not apply to you.

**SEARS CANADA INC., TORONTO, ONTARIO M5B 2B8**

# IMPORTANT SAFETY RULES



**WARNING:** When using electric tools, basic safety precautions should always be followed to reduce the risk of fire, electric shock, and personal injury, including the following:

**WARNING:** This product contains chemicals, including lead, known to the State of California to cause cancer, and birth defects or other reproductive harm. Wash hands after handling.

**WARNING:** Some dust created by this product contains chemicals known to the State of California to cause cancer, birth defects or other reproductive harm. Some examples of these chemicals are:

- compounds in fertilizers
- compounds in insecticides, herbicides and pesticides
- arsenic and chromium from chemically treated lumber

To reduce your exposure to these chemicals, wear approved safety equipment such as dust masks that are specially designed to filter out microscopic particles.

**CAUTION:** Wear appropriate personal hearing protection during use. Under some conditions and duration of use, noise from this product may contribute to hearing loss.



## IMPORTANT

GOVERNMENT REGULATIONS REQUIRE OPERATOR PRESENCE BLADE STOP CONTROLS TO MINIMIZE THE RISK OF BLADE CONTACT INJURY. YOUR MOWER IS EQUIPPED WITH SUCH CONTROLS. DO NOT ATTEMPT TO DEFEAT THE FUNCTION OF THE OPERATOR PRESENCE CONTROL UNDER ANY CIRCUMSTANCES.

- **KNOW YOUR MOWER** - Read the manual carefully. Be thoroughly familiar with the controls and the proper use of your mower.
- **AVOID DANGEROUS ENVIRONMENT** - Don't use your mower in the rain or in damp or wet locations. Don't operate it in gaseous or explosive atmospheres. Motors normally spark and the sparks might ignite fumes.
- **USE PROTECTIVE EQUIPMENT** - Wear safety spectacles or goggles while mowing (regular eyeglasses are not safety glasses). Use face or dust mask if operation is dusty. Safety spectacles are available at your Sears dealer.
- **KEEP GUARDS AND SHIELDS IN PLACE** - and keep in working order.
- **GUARD AGAINST ELECTRIC SHOCK** - Repair or replace damaged mower cord or extension cords immediately. To prevent disconnection of mower cord from the extension cord during use, knot the cords exactly as shown on Page 4, Figure 6.
- **DANGER: KEEP AWAY FROM BLADE AREA** - Risk of cut - Keep hands and feet away from blade. Don't attempt to remove cut material or unclog chute when blade is moving.
- **DISCONNECT TOOL** - Release switch lever to turn off mower and unplug cord from receptacle or extension cord when tool is not in use, before making adjustments, before servicing, cleaning and when changing blade.
- **KEEP CHILDREN AWAY** - All visitors should be kept a safe distance from work area.
- **STORE IDLE LAWNMOWER INDOORS** - When not in use, tool should be stored indoors in a dry place, locked up - out of reach of children.
- **DON'T FORCE THE MOWER** - It will do the job better and safer at the rate for which it was designed.
- **USE RIGHT TOOL** - Do not use tool for any job except that for which it is intended.
- **DRESS PROPERLY** - Do not wear loose clothing or jewelry. They can be caught in moving parts. Use of substantial rubber-soled footwear is recommended.
- **DON'T ABUSE CORD** - Never carry tool by cord or yank it to disconnect from receptacle. Keep cord from heat, oil and sharp edges.
- **WARNING** - To reduce the risk of electric shock hazard use only with an extension cord suitable for outdoor use. Always connect extension cords to a fused line or one protected by a circuit breaker.
- **DON'T OVERREACH** - Keep proper footing and balance at all times.
- **WARNING** - Use extreme caution when backing up with mower. Always look where you are walking.
- **MAINTAIN TOOLS WITH CARE** - Keep blade sharp and clean for best and safest performance. Follow instructions for changing accessories.
- **AVOID ACCIDENTAL STARTING** - Be sure switch is off when plugging in.
- **OBJECTS STRUCK BY THE LAWNMOWER BLADE** can cause severe injuries to persons. The lawn should always be carefully examined and cleared of all objects prior to each mowing.
- **IF MOWER STRIKES A FOREIGN OBJECT** follow these steps: (a) Release switch lever to turn off power, (b) Unplug power cord, (c) Inspect for damage, (d) Repair any damage before restarting and operating the mower.
- **USE IDENTICAL REPLACEMENT BLADES ONLY.**
- **WHEN SERVICING** - Use only identical replacement parts.
- **READ THIS OWNER'S MANUAL CAREFULLY.** Be thoroughly familiar with the controls and the proper use of the equipment.
- **NEVER ALLOW CHILDREN TO OPERATE A POWER MOWER.**
- **KEEP THE AREA OF OPERATION CLEAR** of all persons, particularly small children and pets.
- **THOROUGHLY INSPECT THE AREA** where the equipment is to be used and remove all stones, sticks, wires, bones, and other foreign objects that could be thrown by the blade.
- **DO NOT OPERATE THE EQUIPMENT WHEN BAREFOOT OR WEARING OPEN SANDALS.** Always wear substantial footwear.
- **NEVER ATTEMPT TO MAKE A WHEEL HEIGHT ADJUSTMENT WHILE MOTOR IS RUNNING** or while the mower is plugged in.
- **MOW ONLY IN DAYLIGHT OR IN GOOD ARTIFICIAL LIGHT.**
- **NEVER OPERATE THE EQUIPMENT IN WET GRASS.** Always be sure of your footing; keep a firm hold of the handle and walk; never run.
- **DO NOT PUT HANDS OR FEET NEAR OR UNDER ROTATING PARTS.** Keep clear of the discharge opening at all times.
- **RELEASE SWITCH LEVER TO TURN MOWER OFF** when crossing gravel drives, walks or roads.
- **IF THE MOWER STALLS,** be sure to release switch lever to turn mower off and unplug the cord before attempting to unclog the chute or remove anything from under the deck.
- **AFTER STRIKING A FOREIGN OBJECT,** release switch lever to turn mower off and unplug the mower, thoroughly inspect the mower for any damage and repair the damage before restarting and operating the mower.
- **IF THE EQUIPMENT SHOULD START TO VIBRATE ABNORMALLY** release switch lever, unplug the mower and check immediately for the cause. Vibration is generally a warning of trouble.
- **RELEASE SWITCH LEVER** to turn mower off and unplug the mower whenever you leave the equipment, before unclogging the deck or chute, or cleaning the mower housing, and when making any repairs or inspections.
- **WHEN CLEANING, REPAIRING, OR INSPECTING,** make certain the blade and all moving parts have stopped.
- **SHUT THE MOTOR OFF AND WAIT UNTIL THE BLADE COMES TO A COMPLETE STOP** before removing the grass catcher.
- **MOW ACROSS THE FACE OF SLOPES; NEVER UP AND DOWN.** Exercise extreme caution when changing direction on slopes. Do not mow excessively steep slopes.
- **NEVER OPERATE THE MOWER** without proper guards, plates, or other safety protective devices in place.



**LOOK FOR THIS SYMBOL TO POINT OUT IMPORTANT SAFETY PRECAUTIONS. IT MEANS — ATTENTION!!! BECOME ALERT!!! YOUR SAFETY IS INVOLVED.**

# ASSEMBLY

## UNPACKING AND ASSEMBLY

BEFORE ASSEMBLING YOUR MOWER, CHECK THAT YOU HAVE RECEIVED THE FOLLOWING IN THE SHIPPING CARTON. SEE FIGURE 1.

- A. Mower
- B. Upper Handle
- C. Lower Handle
- D. Discharge Chute
- E. Plastic Bag with handle bolt, wing nuts, star washers, cable tie and shroud hole covers.

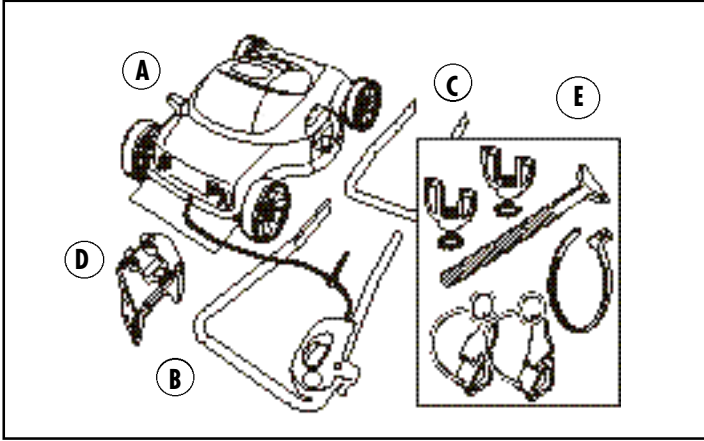


FIGURE 1

## ASSEMBLING THE HANDLE

1. Your mower carton contains the mower, 2 handles, discharge chute and 1 plastic parts bag.
2. Fasten the upper and lower handle halves together using the eye bolt (already installed on the power cord) and the bolt and wing nuts from the plastic bag. **Make sure the power cord and switch are on the same side of the mower as the discharge area.** The eye bolt is installed so that the cord is routed to the outside. Place star washers on the bolts between handle and the wing nuts. Tighten the wing nuts securely.

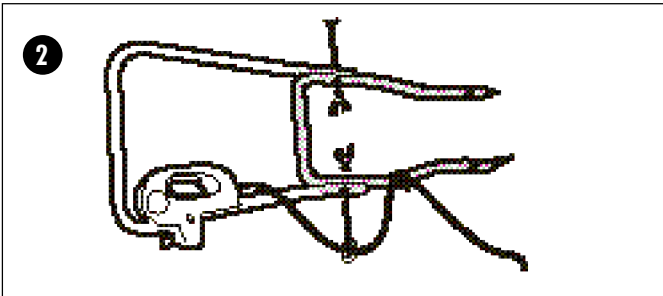


FIGURE 2

## ATTACHING THE HANDLE

1. **UNPLUG TOOL, AND WAIT FOR BLADE TO COME TO A COMPLETE STOP.**
2. Brace the front end of the mower so that it cannot roll forward.
3. Slide the shroud hole cover retaining loop over the end of the handle. Ensure that the arrows on the hole covers are pointing towards each other when installed. (Figure 3A)
4. Align the ends of the lower handle with the holes in the lawnmower shroud. (Figure 3B)
5. Push the handles into the lawnmower until they are fully engaged taking care not to pinch or damage the power cord.
6. Pull back on the handles to ensure a secure fit.
7. Install shroud hole covers by inserting the bottom edge of the shroud hole cover onto the bottom edge of the shroud hole, then rotate hole cover forward and push down until it is firmly snapped into position in the shroud. (Figure 3C)
8. Install cable tie on lower handle to secure cord.

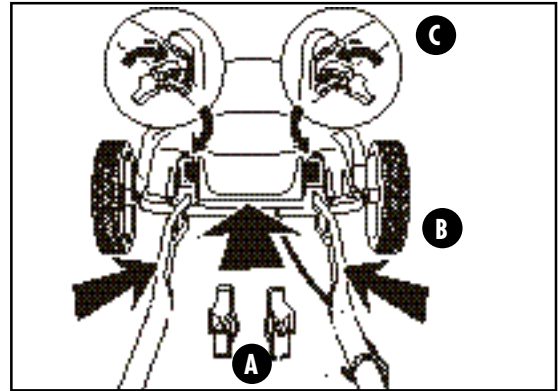


FIGURE 3



**CAUTION:** NEVER use a sharp object to move jacketed wires out of the way.

## MULCHING

The mower is designed to mulch or discharge the grass depending on whether the mulch door is closed (mulching) or the mulch door is up and the discharge chute is in place (discharging). No further assembly steps are required if you are mulching. PROCEED TO OPERATION SECTION PAGE 6.

## DISCHARGE CHUTE INSTALLATION

**(If you wish to discharge the clippings rather than mulch, perform these steps)**

1. **UNPLUG TOOL, AND WAIT FOR BLADE TO COME TO A COMPLETE STOP.**
2. Open mulch door by pulling on the mulch door finger grip. (Figure 4A)
3. Align the discharge chute arrows with the positioning arrows on the lawnmower deck and insert the discharge chute as shown.
4. Position the chute until the chute hooks are trapped under the deck hooks and release the chute and door. (Figure 4B)

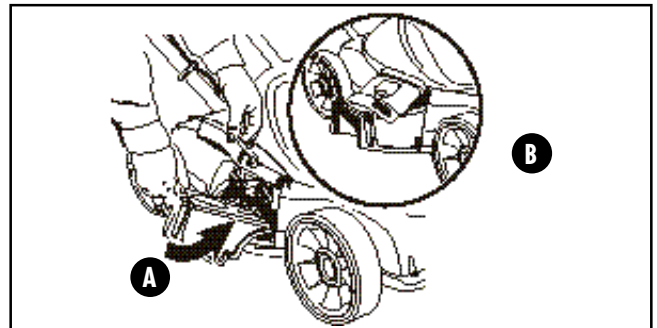


FIGURE 4

---

# OPERATION

---

## KNOW YOUR MOWER

**READ THIS OWNER'S MANUAL AND SAFETY RULES BEFORE OPERATING YOUR MOWER.** Compare the illustrations with your mower to familiarize yourself with the location of various controls and adjustments. Save this manual for future reference.

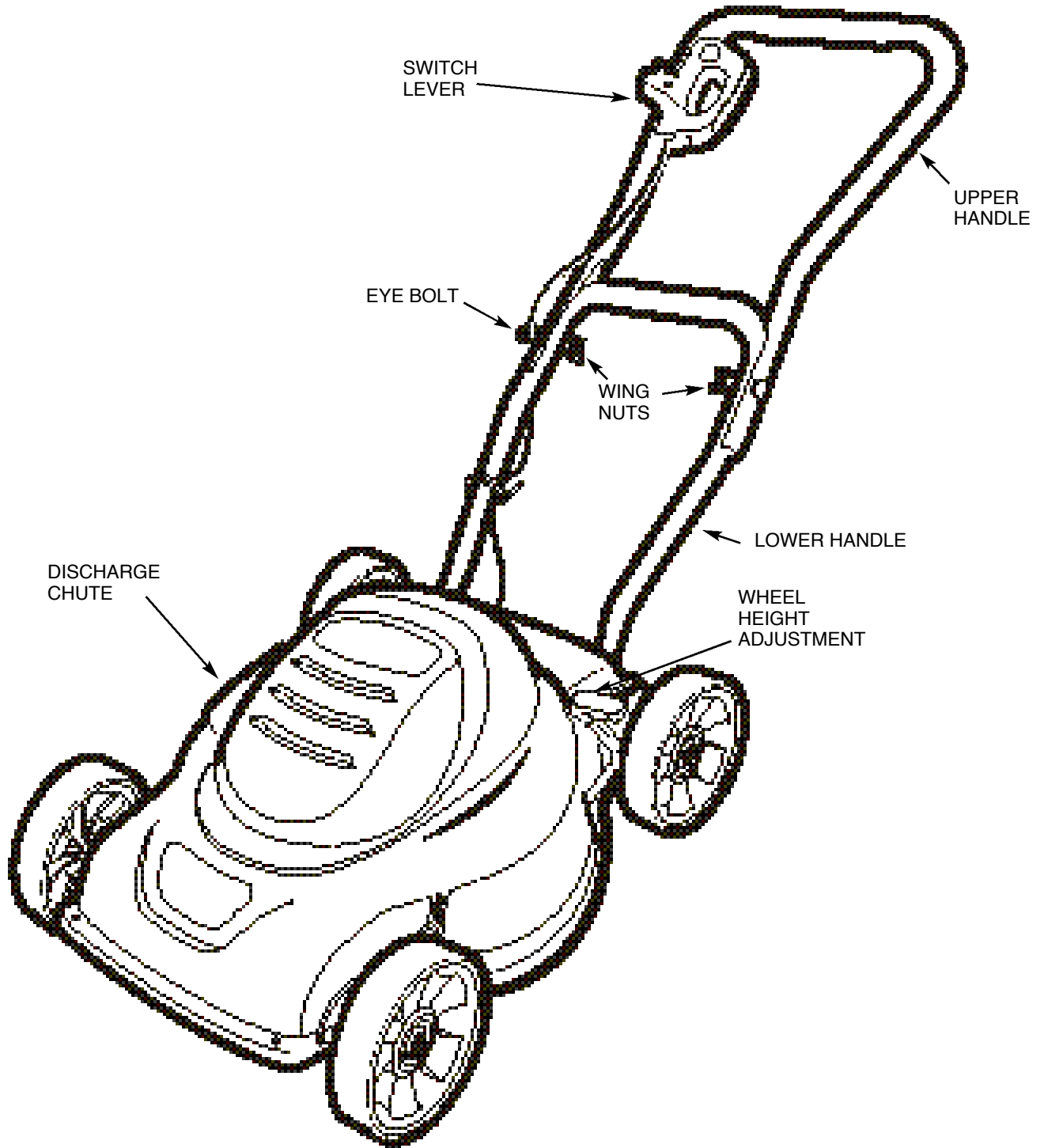


FIGURE 5

# OPERATION



**THE OPERATION OF ANY LAWNMOWER CAN RESULT IN FOREIGN OBJECTS THROWN INTO THE EYES, WHICH CAN RESULT IN SEVERE DAMAGE. ALWAYS WEAR SAFETY GLASSES OR EYE SHIELDS BEFORE STARTING YOUR LAWNMOWER AND WHILE MOWING. WE RECOMMEND WIDE-VISION SAFETY MASK FOR OVER THE SPECTACLES OR STANDARD SAFETY GLASSES, AVAILABLE AT SEARS RETAIL OR CATALOGUE STORES.**

## DOUBLE INSULATION

Your Mower is DOUBLE INSULATED to give you added safety. This means that it is constructed throughout with TWO separate "layers" of electrical insulation or one DOUBLE thickness of insulation between you and the tool's electrical system.

Tools built with this insulation system are not intended to be grounded. As a result, your mower is equipped with a two-prong plug which permits you to use extension cords without concern for maintaining a ground connection.



**CAUTION: WHEN SERVICING ALL TOOLS, USE ONLY IDENTICAL REPLACEMENT PARTS. REPAIR OR REPLACE DAMAGED CORDS.**

## POLARIZED PLUG

To reduce the risk of electric shock, this equipment has a polarized plug (one blade is wider than the other). This equipment must be used with a suitable polarized 2 wire or 3 wire extension cord. Polarized connections will fit together only one way. Make sure that the receptacle end of the extension cord has large and small blade slot widths. If the plug does not fit fully into the extension cord, reverse the plug. If it still does not fit, obtain a suitable extension cord. If the extension cord does not fit fully into the outlet, contact a qualified electrician to install the proper outlet. Do not modify the lawnmower plug or extension cord in any way.

## EXTENSION CORDS

Double insulated tools have 2-wire cords, and can be used with 2-wire or 3-wire extension cords. Only round jacketed extension cords should be used, and we recommend that they be listed by Underwriters Laboratories (U.L.) and C.S.A. If the extension cord will be used outside, the cord must be suitable for outdoor use. Any cord marked as outdoor can also be used for indoor work.

An extension cord must have adequate wire size (AWG or American Wire Gauge) for safety, and to prevent loss of power and overheating. The smaller the gauge number of the wire, the greater the capacity of the cable, that is 16 gauge has more capacity than 18 gauge. When using more than one extension to make up the total length, be sure each individual extension contains at least the minimum wire size.

To determine the minimum wire size required, refer to the chart below:

(Refer to your mower's nameplate to find the Ampere rating)

Make sure your extension cord is in good condition. Cord insulation must be intact with no cracks or deterioration. Plug connectors must be undamaged. When using an extension cord, be sure to use one heavy enough to carry the current your product will draw. An undersized extension cord will cause a drop in line voltage resulting in loss of power and overheating, which can shorten the life of the motor. The table shows the correct size to use depending on cord length and nameplate ampere rating. If in doubt, use the next heavier gauge. The smaller the gauge number, the heavier the cord.

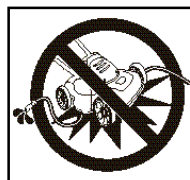
120 Volts		Total Length of Cord in Feet			
		25	50	100	150
Ampere Rating More	Not More				
Than	Than	<b>A.W.G.</b>			
0 - 6		18	16	16	14
6 - 10		18	16	14	12
10 - 12		16	16	14	12
12 - 16		14	12	NOT RECOMMENDED	

**NOTE:** A lawnmower is a major appliance and should not be operated simultaneously with other major appliances on the same house circuit.



**Warning:** Make sure that other persons and pets are at least 100 feet away.

## INSPECT CUTTING AREA

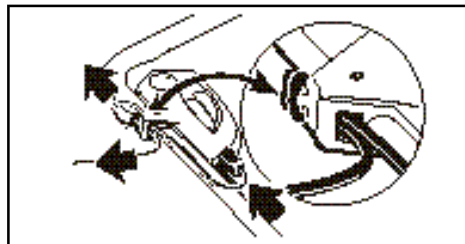


Remove all stones, sticks, wire, stones, and other debris which might be thrown by the rotating blades.

## ATTACHING EXTENSION CORD TO MOWER (FIGURE 6)

**DO NOT** connect the extension cord to power source until you have finished reading this manual and you are ready to start mowing.

1. The extension cord must be polarized and will only plug in one way, orient the wide slot with the wide blade in the switch housing.
2. Loop the extension cord and push the loop up through the hole in the switch housing.
3. Pull the extension cord on the side of the loop that is plugged into the switch housing and remove all the slack in this section of the extension cord.
4. Place the loop over the strain relief tab on the switch housing and pull the extension cord so the loop draws down around the strain relief tab as shown in the detail. Double check to see that you did not loosen the extension cord.



**FIGURE 6**

# OPERATION

## SWITCH USE

Your mower is equipped with a special switch. To operate the switch, insert your finger into the opening (Figure 7) and push the lever out so that you can grasp it with your other hand. Pull the lever back to turn the unit on and hold it against the mower handle to keep it running. To turn the mower off, just release the lever. The spring loaded "SNAP ACTION" lever will quickly turn the mower off.

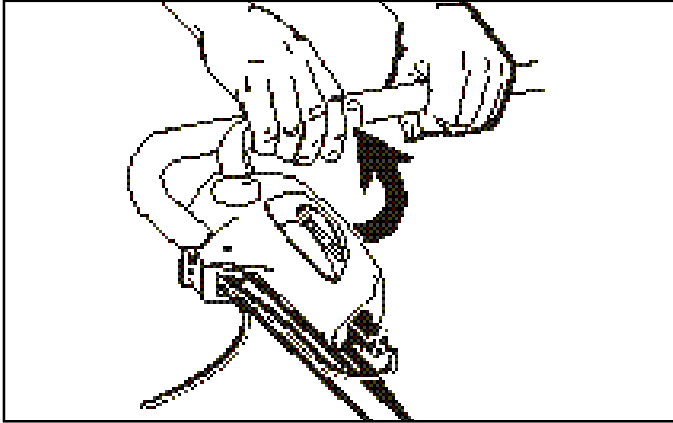


FIGURE 7



**CAUTION: NEVER ATTEMPT TO OVERRIDE THE OPERATION OF THIS SWITCH.**

## EXTENSION CORD TO ELECTRICAL OUTLET (FIGURE 8)

1. Place most of the extension cord close to the electrical outlet, out of the path of the mower. Attach extension cord to mower.
2. Start in direction where extension cord side of mower is closest to the outlet. Begin mowing in the area closest to the outlet and mow in a back and forth manner. Note the cord is kept on cut portion of lawn and out of the path of the mower. (Figure 8)
3. Avoid mowing in circles as cord will be harder to manage.

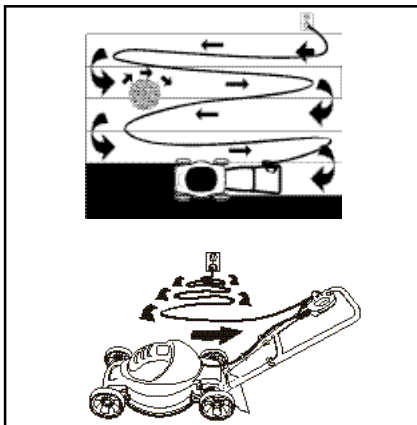


FIGURE 8



**CAUTION: DO NOT PLUG EXTENSION CORD INTO RECEPTACLE OUTLET WHILE STANDING IN WATER OR WHEN HANDS ARE WET.**

## RECOMMENDED APPROXIMATE CUTTING HEIGHT

The cutting height should be higher in hot weather or shade, and lower for the last mow before winter.

COOL SEASON GRASSES		
TYPE	SHADE	SUN
CREeping BENT GRASS	1-1/3"	2/3"
VELVER BENT GRASS	1/4"	1/2"
ANNUAL BLUEGRASS	1/2"	1"
CANADA BLUEGRASS	3"	4"
KENTUCKY BLUEGRASS	2-1/2"	3"
ROUGH BLUEGRASS	1"	1-1/2"
SMOOTH BROMEGRASS	3"	4"
FINE RESUE	1-1/2"	2-1/2"
TALL FESCUE	2-1/2"	4"
ANNUAL RYEGRASS	2"	2-1/2"
WARM SEASON GRASSES		
TYPE	SHADE	SUN
BAHIA GRASS	2"	3"
BERMUDA GRASS	1/2"	1"
BUFFALO GRASS	1-1/2"	2-1/2"
CARPET GRASS	1"	2"
CENTIPEDE GRASS	1"	2"
ST. AUGUSTINE GRASS	2"	3"
ZOYSIA GRASS	1/2"	1"

NOTE: The cut height range for your mower is 1" - 3-1/2"

## WHEEL HEIGHT ADJUSTMENT (FIGURE 9)

1. BEFORE MAKING ANY ADJUSTMENTS, TURN OFF, UNPLUG MOWER AND WAIT FOR BLADE TO STOP.
2. Your mower features the Craftsman single lever wheel height adjust system. This system will adjust all four wheels at the same time. Mower adjusts from 1 to 3 1/2" with six increments.
3. Place your left hand on the height adjust handle and your right hand on the lower handle as shown in Figure 9.
4. Pull height adjust handle away from mower, and re-set in the desired height adjust position. (See recommended cut height by grass type - above) Rotating the height adjust towards the front of the mower lowers the cut height, and rotating towards the rear raises the cut height.

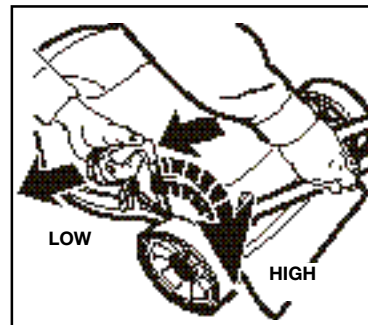


FIGURE 9

### CUTTING HEIGHT POSITIONS

Position	Cut
1 (LOW)	1"
2	1-1/2"
3	2"
4	2-1/2"
5	3"
6 (HIGH)	3-1/2"



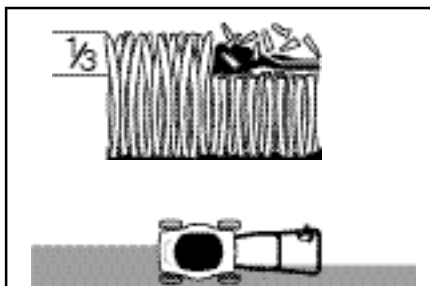
# OPERATION

## MULCHING MOWING TIPS

In the mulching configuration your new mower is designed to re-cut the grass clippings into short lengths.

These clippings, which are dispersed as you mow will biodegrade quickly and provide nutrients for the lawn.

- Set mower at highest cutting height when mowing in rough ground or in tall weed.
- Avoid cutting the lawn when it is wet. Wet grass tends to form clumps with the mulching action. The best time to cut your lawn is in the afternoon.
- For best results, adjust the lawnmower cutting height so that the lawnmower cuts off only the top third of the grass blades.
- If your lawn is overgrown it may be necessary to increase the cutting height to reduce the pushing effect and prevent overloading the motor.
- For extremely heavy mulching use narrower cuts and mow slowly.
- Change your cutting pattern from week to week. Mow north to south one week and east to west the next week. This will help prevent matting and graining of the lawn.



**CAUTION: DO NOT ATTEMPT TO UNCLOG THE BLADE CHAMBER BY DROPPING OR TAPPING THE TOOL ON THE GROUND. THIS CAN DAMAGE THE UNIT. KEEP HANDS CLEAR OF BLADE WHEN CLEANING.**

## DISCHARGING

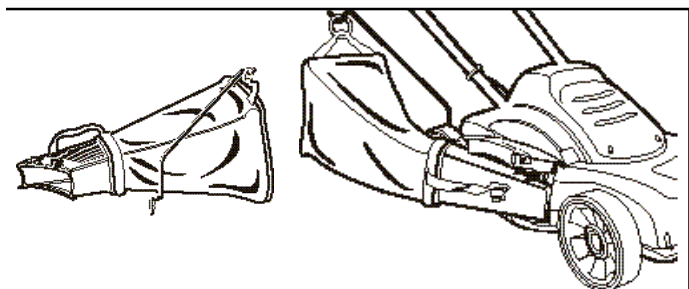
The mower is designed to disperse the clippings back to the lawn.

- Discharging may be necessary if the grass fills the optional bag too quickly.
- Clippings may be further dispersed, if needed, by blowing them with a yard blower.
- In heavy grass conditions, a narrower pass may be required.

## OPTIONAL GRASS BAG (AVAILABLE AS AN OPTION AT EXTRA COST)

It is recommended to bag the clippings for the first few spring mowings and the last mowing of the season to discourage diseases. (Sears Sku #38215)

- Bagging the clipping is sometimes preferred to reduce tracking of clippings into pools, hot tubs, and homes.
- Clippings can be added to your compost bin and used later for a natural fertilizer.



## OTHER MOWING TIPS

- Mow across the face of slopes, never up-and-down. Exercise extreme caution when changing direction on slopes. Do not mow excessively steep slopes. Always maintain good footing.
- Release switch to turn mower "OFF" when crossing any graveled area (stones can be thrown by the blade).
- Set mower at highest cutting height when mowing on rough ground or in tall weeds.
- From time to time turn off mower-UNPLUG CORD-turn mower on its side. Using an object such as a stick, wipe out any accumulation of grass in the blade area. Be careful of the sharp edges of the blade. If a grass catcher is used during the fast growing season, the grass may tend to clog up at the discharge opening. Turn the switch "OFF" and disconnect the power cord plug. Remove the catcher and shake the grass down to the back end of the bag. Also clean out any grass or debris which may be packed around the discharge opening. Replace the grass catcher. Clean often in wet, spring grass.
- If mower should start to vibrate abnormally, turn mower "OFF" and unplug power cord. Check immediately for cause. Vibration is a warning of trouble. Do not operate mower until a service check has been made.
- ALWAYS TURN THE SWITCH OFF AND UNPLUG THE MOWER WHEN LEAVING IT UNATTENDED EVEN FOR A SHORT PERIOD OF TIME.
- When you are finished mowing, turn mower "OFF", and unplug the extension cord at the electrical outlet before coiling it for storage.



# MAINTENANCE

Before each mowing session unplug the mower and ensure that the blade is stopped. Check all nuts, bolts and screws to ensure proper tightness, be sure to check the blade fastening system.

**IMPORTANT:** To assure product SAFETY and RELIABILITY, repairs, maintenance and adjustment (including brush inspection and replacement) should be performed by SEARS Service Centres or other qualified service organizations, always using Sears replacement parts. When servicing use **ONLY IDENTICAL REPLACEMENT PARTS.**

Inspect and thoroughly clean your mower at the beginning of each mowing season for longer life and better performance.

From time to time turn the mower off and wait for the blade to stop. Then unplug the power cord and turn the mower on its side. Using an object such as a stick or rag, wipe out any accumulation of grass in the blade area. Also clean out any grass or debris which may be packed around the discharge/mulch door area. Be careful of the sharp edges of the blade.

## SERVICE and ADJUSTMENTS

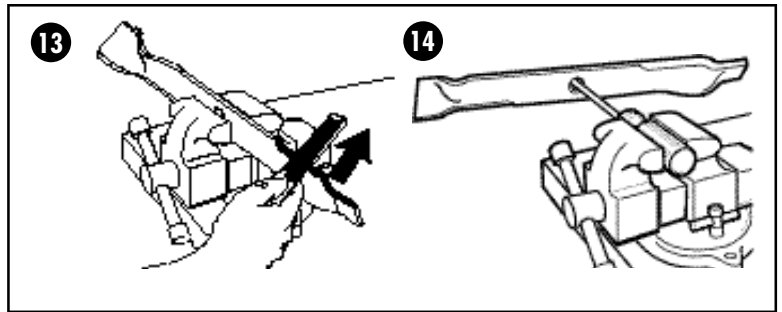
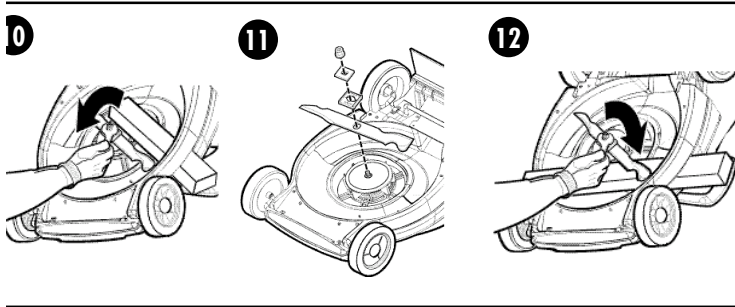
### REMOVING AND ATTACHING BLADES (FIGURE 10,11,12)

1. **RELEASE SWITCH LEVER TO TURN MOWER OFF, WAIT FOR THE BLADE TO STOP, AND UNPLUG MOWER!**
2. Use a piece of 2x4 wood (about 2 feet long) to keep blade from turning while removing blade nut.
3. Wear gloves. Position wood and remove nut as shown in Figure 10.
4. Remove lower blade spacer, lower insulator washer and blade. (Figure 11)
5. When replacing sharpened or new blade on shoulder of fan, make sure the "GRASS SIDE" identification on the blade is facing the ground. Place lower insulator washer over shoulder of the fan. Now place lower blade spacer and the blade nut on the shaft.

**NOTE:** Align flats of shaft with flats in lower insulator washer and lower the blade space. Position wood to keep shaft from turning (Figure 12) and then securely tighten blade nut.

### SHARPENING AND BALANCING THE BLADE: (FIGURE 13,14)

1. **BE SURE THE SWITCH LEVER IS RELEASED AND THE BLADE HAS STOPPED AND THE CORD UNPLUGGED BEFORE REMOVING THE BLADE.**
2. Remove blade from mower. See instructions for removing and attaching blade.
3. Secure blade in a vise as shown in Figure 13.
4. Wear safety glasses and be careful not to cut yourself.
5. Carefully file the cutting edges of the blade with a fine tooth file or sharpening stone.
6. Check balance of blade by placing centre hole in blade over a nail or screwdriver shank, clamped horizontally in a vise. If either end of the blade rotates down, file off additional material from that end. Blade is properly balanced when neither end drops. (Figure 14)
7. Replace blade on mower and tighten securely.



### LUBRICATION

No lubrication is necessary. Do not oil the wheels. They have plastic bearing surfaces which require no lubrication.

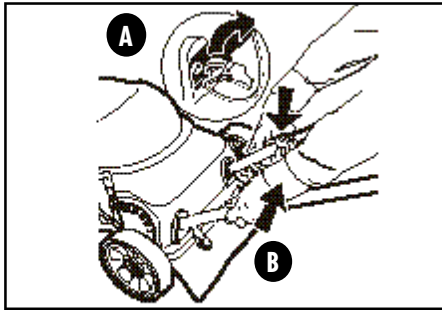
# STORAGE

## REMOVING THE HANDLE

1. **UNPLUG TOOL, AND WAIT FOR BLADE TO COME TO A COMPLETE STOP.**
2. Brace the rear of the mower so that it cannot roll backward.
3. Push down on the shroud hole cover tab, and rotate the shroud hole cover out of the shroud. (Figure A)
4. Grasp the ends of the lower handle with both hands. Squeeze the two sides of the handle towards one another while pulling back on the handle. (Figure B)



**CAUTION: NEVER USE A SHARP OBJECT TO MOVE JACKETED WIRES OUT OF THE WAY.**



## CLEANING AND STORAGE

**Warning! Be sure the tool is unplugged.**

Remove and clean any debris from the outside of the mower and inside of the deck before storage. Store under cover. See **MAINTENANCE** section.

**NOTE:** Do not store the tool on or adjacent to fertilizers or chemicals. Such storage can cause rapid corrosion to metal parts.

## PREVENTING CORROSION

Fertilizers and other garden chemicals contain agents that greatly accelerate the corrosion of metals. If you use the tool in areas where fertilizers or chemicals have been used, the tool should be cleaned immediately afterwards. Wipe all exposed parts with a damp cloth. You may lubricate only metal parts with a light petroleum based oil. Do not lubricate wheels.

Cleaning out the underside of the mower is done easiest immediately after mowing (**ENSURE MOWER IS UNPLUGGED AND BLADE HAS STOPPED**). A rag, crumpled newspaper or paper towels, can be used to wipe out caked clippings. A clean mowing deck improves the efficiency of the blade and maintains high performance. When cleaning, **DO NOT** immerse the mower in water or squirt it with a hose or pressure washer. Use only mild soap and damp cloth to clean the mower. Never let any liquid get inside the mower; never immerse any part of the mower into a liquid.



**CAUTION: DO NOT POUR OR SPRAY WATER ON THE MOWER IN AN ATTEMPT TO CLEAN IT.**

## TROUBLE SHOOTING/CORRECTIVE ACTION GUIDE:

PROBLEM	CORRECTIVE ACTION
- Motor will not start	<ul style="list-style-type: none"> <li>- Check fuse or circuit breaker to ensure power is to outlet.</li> <li>- Check extension cord with another electrical device to ensure cord is good.</li> <li>- Call customer service representative 1 800 4 MY HOME</li> </ul>
- Motor keeps slowing down	<ul style="list-style-type: none"> <li>- The underside of the mower may be plugged with clippings, UNPLUG mower and clean out.</li> <li>- Grass may be too tall, try pushing at a slower pace, or raise cut height.</li> <li>- Check blade sharpness and balance, and correct if required.</li> <li>- If mulching, it may be too much grass, UNPLUG mower and attach discharge chute to disperse grass.</li> </ul>
- Runs but poor cut results	<ul style="list-style-type: none"> <li>- The blade may be dull, unplug mower and carefully check for sharpness.</li> <li>- Blade may be damaged (bent or badly chipped), UNPLUG mower and replace if necessary.</li> <li>- Grass may be too high or thick for cutting height, UNPLUG mower and raise cutting height.</li> </ul>
- Excess vibration	<ul style="list-style-type: none"> <li>- Blade may be loose, UNPLUG mower and check blade for tightness.</li> <li>- Blade may be bent or badly chipped, UNPLUG mower and replace if necessary.</li> <li>- Blade may be unbalanced. Refer to blade balancing section of instruction manual.</li> </ul>
- Mower is hard to push	<ul style="list-style-type: none"> <li>- Mower is too close to the ground with the amount of grass being cut, UNPLUG mower and raise cutting height.</li> <li>- UNPLUG mower and check wheels and axles to ensure all are rotating easily.</li> </ul>
- Mower leaves clumps of grass	<ul style="list-style-type: none"> <li>- Too much grass, UNPLUG mower and raise cutting height.</li> <li>- If mulching, it may be too much grass, UNPLUG mower and attach discharge chute to disperse grass</li> <li>- UNPLUG mower and carefully check blade for sharpness.</li> <li>- Grass may be too wet to cut. Wait for grass to dry.</li> </ul>
- Discharge/Bag plugging	<ul style="list-style-type: none"> <li>- Grass may be too wet, try again when grass is dry.</li> <li>- Too much grass, UNPLUG mower and raise cutting height.</li> </ul>

**SEARS LAWNMOWER - MODEL NUMBER C935-355170**

PICTURE OF UNIT WITH  
CALLOUTS

SEARS LAWNMOWER - MODEL NUMBER C935-355170

PARTS LIST

# SEARS

## *owner's manual*

**Models  
C935-355170**

# SEARS

*SERVICE  
is  
at  
YOUR  
SERVICE*

Model may be found on the Nameplate on rear of mower housing.

You should record Model Number and keep in a safe place for future reference.

### HOW TO ORDER REPAIR PARTS

Each lawnmower has its own MODEL NUMBER.

The MODEL NUMBER for the lawnmower will be found on a plate attached to your lawnmower at the REAR OF THE HOUSING.

Always mention the MODEL NUMBER when requesting service or repair parts for your lawnmower.

All parts listed herein may be ordered through SEARS CANADA INC. RETAIL OR CATALOGUE STORES AND SERVICE CENTRES. If the parts you need are not stocked locally, your order will be electronically transmitted to a SEARS Parts Distribution Centre for expedited handling.

When ordering parts by mail, selling prices will be furnished on request or parts will be shipped at prevailing prices and you will be billed accordingly.

WHEN ORDERING REPAIR PARTS, ALWAYS GIVE THE FOLLOWING INFORMATION:

1. PART NUMBER
2. PART DESCRIPTION
3. MODEL NUMBER
4. NAME OF THE ITEM

Your Sears merchandise takes on added value when you discover that Sears has service units throughout the country. Each is staffed by Sears-trained, professional technicians using Sears-approved methods.

Get it fixed, at your home or ours!

Just Call:

**1-800-4-MY-HOME<sup>®</sup>**

(1-800-469-4663)

24 hours a day, 7 days a week

For the repair of major brand appliances **in your own home** ...  
no matter who made it, no matter who sold it!

For your nearest **Sears Parts & Service** location,  
to bring in products like vacuums, lawn equipment and electronics.

For **Sears Parts & Service**, to order the replacement parts,  
accessories and owner's manuals that you need to do-it-yourself.

sears.ca

---

To purchase or inquire about a Sears Maintenance Agreement, call:

**1-800-361-6665**

9 a.m. – 8 p.m. Mon. – Fri. EST, 9 a.m. – 4 p.m. Sat.

---

Pour service en français:

**1-800-LE-FOYER<sup>(MD)</sup>**

(1-800-533-6937)

sears.ca



# SEARS

## *Guide d'utilisation*

N° de modèle  
C935-355170

- Assemblage
- Fonctionnement
- Pièces de rechange
- Garantie

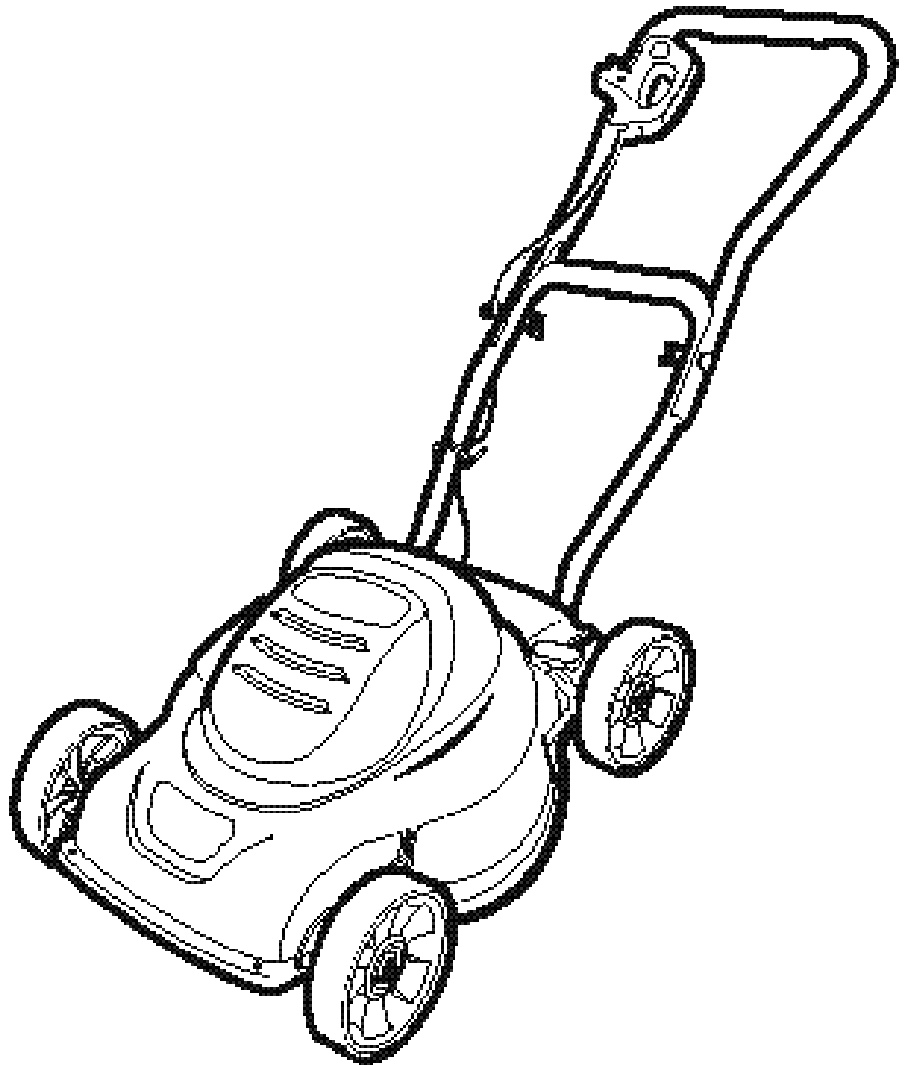
### MISE EN GARDE

Vous devez lire et comprendre  
les directives du présent guide  
avant d'utiliser l'appareil.

# SEARS

# CRAFTSMAN<sup>MD</sup>

## DE 18 po TONDEUSE-DÉCHIQUETEUSE



SEARS CANADA INC., TORONTO, ONTARIO M5B 2B8



# TABLE DES MATIÈRES

Garantie .....	i
Mesures de sécurité .....	1
Assemblage .....	2
Fonctionnement .....	3
Entretien .....	7
Entreposage .....	8
Pièces de rechange .....	9
Commande de pièces .....	11

## AVIS

Il existe en Amérique du Nord des normes de sécurité relatives à la conception des tondeuses destinées aux consommateurs.

Ces normes ont pour but de réduire les risques de blessures causées par les contacts avec la lame.

La tondeuse a donc été conçue en fonction des caractéristiques recommandées qui comprennent entre autres :

- des interrupteurs de sécurité et un système de freinage de la lame qui immobilisent la lame en moins de trois secondes lorsque vous relâchez la poignée-interrupteur;
- un dispositif de démarrage du côté de l'utilisateur qui empêche la tondeuse de redémarrer lorsqu'une personne se trouve à proximité de la lame.

**VOUS ÊTES PRIÉS DE NE PAS TENTER DE NEUTRALISER CES CARACTÉRISTIQUES. ELLES ONT ÉTÉ MISES AU POINT AFIN D'ASSURER VOTRE SÉCURITÉ.**

## GARANTIE DES TONDEUSES CRAFTSMAN<sup>md</sup>

Une tondeuse Craftsman qui fait défaut dans les deux ans suivant la date d'achat en raison de vice de matière ou de fabrication sera réparée sans frais dans les magasins Sears Canada Inc. («Sears»).

### **GARANTIE PROLONGÉE DU CHÂSSIS**

Tondeuse Craftsman dotée d'un tablier en résine (garantie à vie sur le tablier). Pièces et main-d'oeuvre incluses.

### **UTILISATION À DES FINS COMMERCIALES OU LOCATIVES**

Lorsque l'outil sert à des fins commerciales ou locatives, la présente garantie ne vaut que pour une période de 90 jours à partir de la date d'achat.

La présente garantie NE couvre PAS :

1. Les pièces qui peuvent s'user pendant l'utilisation normale (comme les lames).
2. Les réparations requises suite à une mauvaise utilisation ou à la négligence de l'utilisateur, y compris les dommages au moteur résultant du heurt de corps étrangers (cailloux, racines, souches par exemple).
3. Le manque d'entretien recommandé dans le présent guide.
4. L'entretien effectué par l'utilisateur.

Vous pouvez vous prévaloir de la garantie en retournant la tondeuse électrique Craftsman au centre de service Sears de la région, au Canada. La présente garantie ne vaut que pour l'utilisation de la tondeuse au Canada.

La présente garantie s'ajoute à toute autre garantie prévue par la loi. Elle n'exclut ni ne limite tout autre droit conféré par une loi provinciale. En outre, certaines provinces NE permettent PAS la limite de la durée de la garantie; ce qui peut annuler certaines conditions précitées.

**Sears Canada Inc., Toronto (Ontario) M5B 2B8**

# IMPORTANTES MESURES DE SÉCURITÉ



**AVERTISSEMENT** : Afin de réduire les risques d'incendie, de secousses électriques ou de blessures lorsque vous utilisez des outils électriques, il faut toujours respecter les mesures de sécurité suivantes.

**AVERTISSEMENT** : Le produit renferme des produits chimiques, dont du plomb. Selon l'état de la Californie, ce produit chimique peut causer le cancer ainsi que des malformations congénitales, et il présente d'autres dangers au système reproductif humain. Se laver les mains après l'utilisation.

**AVERTISSEMENT** : Le produit génère de la poussière qui peut renfermer des produits chimiques. Selon l'état de la Californie, ces produits chimiques peuvent causer le cancer ainsi que des malformations congénitales, et ils présentent d'autres dangers au système reproductif humain.

Voici des exemples de tels produits chimiques :

- les composés d'engrais;
- les composés d'insecticides, d'herbicides et de pesticides;
- l'arsenic et le chrome provenant de bois traité.

Afin de minimiser les risques, porter de l'équipement de sécurité approuvé comme des masques antipoussières spécialement conçu pour filtrer les particules microscopiques.

**MISE EN GARDE** : Porter un dispositif approprié de protection de l'ouïe lors de l'utilisation du produit. Dans certaines conditions et durées d'utilisation, le produit peut émettre un niveau de bruit provoquant la perte de l'ouïe.

## IMPORTANT

DES RÈGLEMENTS NATIONAUX EXIGENT L'UTILISATION DE DISPOSITIFS DE BLOCAGE DE LA LAME EN CAS D'ABSENCE DE L'UTILISATEUR AFIN DE MINIMISER LES RISQUES DE BLESSURES CAUSÉES PAR LES LAMES. LA TONDEUSE EST DOTÉE DE CES MÉCANISMES. IL EST STRICTEMENT INTERDIT DE NEUTRALISER CES DISPOSITIFS.

- **CONNAISSEZ BIEN LA TONDEUSE** en lisant attentivement le présent guide. Familiarisez-vous bien avec les commandes et le fonctionnement de la tondeuse.
- **TENEZ COMPTE DU MILIEU DE TRAVAIL.** Ne vous servez pas de la tondeuse sous la pluie ou dans des endroits humides ou mouillés. Ne l'utilisez pas dans des endroits où l'atmosphère contient des vapeurs combustibles ou explosives. Les étincelles que produit le moteur en marche pourraient enflammer ces produits.
- **PORTEZ DU MATÉRIEL DE PROTECTION.** Portez des lunettes de sécurité pendant la tonte (des lunettes de correction de la vue standard ne sont pas des lunettes de sécurité). Utilisez un masque si le travail produit de la poussière. Vous pouvez acheter des lunettes de sécurité aux magasins Sears.
- **LAISSEZ LES PROTECTEURS ET LES ÉCRANS EN PLACE** et en bon état de fonctionnement.
- **ÉVITEZ LES RISQUES DE SECOUSSES ÉLECTRIQUES.** Réparez ou remplacez immédiatement les cordons de tondeuse ou de rallonge endommagés. Pour éviter que le cordon de la tondeuse ne se défasse de celui de rallonge pendant la coupe, faites un noeud comme celui illustré à la page 4, figure 6.
- **DANGER - ÉLOIGNEZ-VOUS DE LA LAME.** Risque de coupure - Éloignez vos mains et vos pieds de la lame. Ne tentez pas d'enlever des matières coupées ni de débloquent le couloir d'éjection lorsque la lame tourne.
- **DÉBRANCHEZ L'OUTIL.** Relâchez l'interrupteur pour arrêter la tondeuse et débranchez le cordon lorsque vous devez régler la tondeuse, l'entretenir, la nettoyer ou en remplacer la lame.
- **ÉLOIGNEZ LES ENFANTS.** Tous les visiteurs doivent être tenus à l'écart de l'aire de travail.
- **RANGÉZ LES OUTILS INUTILISÉS À L'INTÉRIEUR.** Il faut ranger les outils inutilisés dans un endroit sec, situé en hauteur ou fermé à clé, hors de la portée des enfants.
- **NE FORCEZ JAMAIS L'OUTIL.** Afin d'obtenir un rendement sûr et efficace, utilisez l'outil à son rendement nominal.
- **UTILISEZ L'OUTIL APPROPRIÉ.** Servez-vous de l'outil selon l'usage prévu.
- **PORTEZ DES VÊTEMENTS APPROPRIÉS.** Évitez de porter des vêtements amples et des bijoux qui peuvent être happés par les pièces en mouvement. Il est conseillé de porter des chaussures à semelle en caoutchouc.
- **NE MANIPULEZ PAS LE CORDON DE FAÇON ABUSIVE.** Ne transportez pas l'outil par le cordon ni tirez sur ce dernier pour le débrancher de la prise. Éloignez le cordon des sources de chaleur, des flaques d'huile et des arêtes tranchantes.
- **AVERTISSEMENT.** Afin de réduire les risques de secousses électriques, utilisez la tondeuse seulement avec un cordon conçu pour l'extérieur. Branchez toujours le cordon sur une prise dotée de fusibles ou protégée par un disjoncteur.
- **NE DÉPASSEZ PAS VOTRE PORTÉE.** Demeurez toujours dans une position stable et gardez votre équilibre.
- **AVERTISSEMENT.** Faites preuve d'une extrême prudence lorsque vous reculez avec la tondeuse. Regardez toujours où vous marchez.
- **PRENEZ SOIN DES OUTILS.** Conservez les tranchants affûtés et propres pour qu'ils donnent un rendement supérieur et sûr. Suivez les directives relatives au remplacement des accessoires.
- **ÉVITEZ LES DÉMARRAGES ACCIDENTELS.** Assurez-vous que l'interrupteur est à la position d'arrêt avant de brancher le cordon.
- **LES OBJETS PROJÉTÉS PAR LA LAME DE LA TONDEUSE** peuvent causer des blessures. Surveillez la pelouse et enlevez les objets sur l'herbe avant de tondre.
- **LORSQUE LA LAME DE LA TONDEUSE HEURTE UN OBJET SOLIDE,** faites ce qui suit : (a) relâchez le levier de l'interrupteur, (b) débranchez le cordon, (c) assurez-vous que la tondeuse n'a pas été endommagée et (d) réparez-la avant de l'utiliser de nouveau.
- **UTILISEZ SEULEMENT DES LAMES DE RECHANGE IDENTIQUES.**
- **LORS DES TRAVAUX D'ENTRETIEN,** n'utilisez que des pièces de rechange identiques.
- **LISEZ ATTENTIVEMENT LE PRÉSENT GUIDE D'UTILISATION.** Familiarisez-vous bien avec les commandes et le fonctionnement de la tondeuse.
- **NE LAISSEZ JAMAIS UN ENFANT UTILISER LA TONDEUSE.**
- **ÉLOIGNEZ LES VISITEURS DE LA ZONE DE COUPE,** particulièrement les enfants et les animaux.
- **INSPECTEZ BIEN LA ZONE DE COUPE** et enlevez tout caillou, bâton, fil, os et autre objet qui peut être projeté par la lame.
- **N'UTILISEZ JAMAIS LA TONDEUSE LORSQUE VOS PIEDS SONT DÉCHAUSSÉS OU RECOUVERTS DE SANDALES.** Portez des chaussures résistantes.
- **NE TENTEZ PAS DE MODIFIER LA HAUTEUR DES ROUES LORSQUE LE MOTEUR EST EN MARCHÉ** ni lorsque le cordon est branché.
- **UTILISEZ SEULEMENT AU GRAND JOUR OU DANS UNE BONNE LUMIÈRE ARTIFICIELLE.**
- **NE TONDEZ JAMAIS UNE PELOUSE MOUILLÉE.** Regardez toujours où vous marchez. Tenez bien la poignée et marchez; ne courez jamais.
- **ÉLOIGNEZ VOS MAINS ET VOS PIEDS DES PIÈCES EN MOUVEMENT.** Éloignez-vous en tout temps du couloir d'éjection.
- **RELÂCHEZ LE LEVIER DE L'INTERRUPTEUR** pour traverser les entrées et les chemins.
- **LORSQUE LE MOTEUR DE LA TONDEUSE CALE,** relâchez l'interrupteur pour mettre la tondeuse hors tension et débranchez le cordon avant de débloquent le couloir d'éjection ou de retirer des objets coincés sous la tondeuse.
- **LORSQUE LA LAME DE LA TONDEUSE HEURTE UN OBJET SOLIDE,** relâchez le levier de l'interrupteur, débranchez le cordon, assurez-vous que la tondeuse n'a pas été endommagée et réparez-la avant de l'utiliser de nouveau.
- **LORSQUE LA TONDEUSE COMMENCE À VIBRER DE FAÇON ANORMALE,** relâchez le levier de l'interrupteur, débranchez le cordon et recherchez immédiatement la cause des vibrations. Ces dernières sont habituellement un signe de dérangement.
- **RELÂCHEZ L'INTERRUPTEUR** pour mettre la tondeuse hors tension et débranchez le cordon lorsque vous devez laisser la tondeuse, avant d'en retirer des débris ou de débloquent le couloir d'éjection ou de nettoyer, de réparer et d'inspecter la tondeuse.
- **AVANT DE NETTOYER, DE RÉPARER OU D'INSPECTER** la tondeuse, assurez-vous que les pièces mobiles sont arrêtées.
- **ARRÊTEZ LE MOTEUR ET ATTENDEZ L'IMMOBILISATION DE LA LAME** avant de retirer le sac à herbe.
- **Tondez en travers dans le cas d'une pente et non en va-et-vient vertical.** Faites attention lorsque vous changez de sens sur une pente. Ne tondez pas les pentes abruptes.
- **N'UTILISEZ JAMAIS LA TONDEUSE** sans les protecteurs, plaques ou autres dispositifs de protection adéquats en place.



**RECHERCHEZ CE SYMBOLE, IL SIGNALE LES MESURES DE SÉCURITÉ IMPORTANTES. IL SIGNIFIE : «ATTENTION - FAITES PREUVE DE VIGILANCE - VOTRE SÉCURITÉ EST EN JEU.»**

# ASSEMBLAGE

## DÉBALLAGE ET ASSEMBLAGE

AVANT D'ASSEMBLER VOTRE TONDEUSE, VÉRIFIEZ SI L'EMBALLAGE RENFERME LES PIÈCES SUIVANTES (FIG. 1).

- A. Tondeuse
- B. Section supérieure du guidon
- C. Section inférieure du guidon
- D. Couloir d'éjection
- E. Sac en plastique contenant un boulon pour le guidon, des écrous à oreilles, des rondelles-freins en étoile, un attache-cordon et des bouchons pour le châssis.

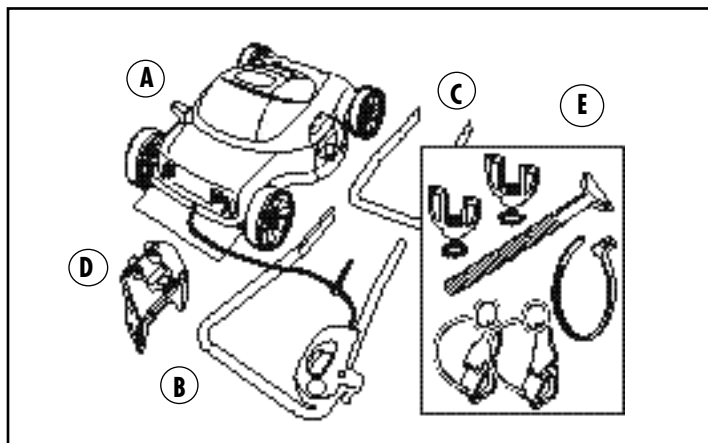


FIGURE 1

## ASSEMBLAGE DU GUIDON

1. L'emballage renferme la tondeuse, deux sections de guidon, un couloir d'éjection et un sac de ferrures.
2. Assemblez les sections inférieure et supérieure du guidon au moyen du boulon à œillet (déjà sur le cordon d'alimentation) ainsi que du boulon et des écrous à oreilles du sac de ferrures. **Assurez-vous que le cordon d'alimentation et que l'interrupteur se trouvent du même côté de la tondeuse que le couloir d'éjection.** Placez le boulon à œillet de sorte que le cordon se trouve vers l'extérieur. Placez les rondelles-freins en étoile sur les boulons entre le guidon et les écrous à oreilles. Serrez bien les écrous à oreilles.

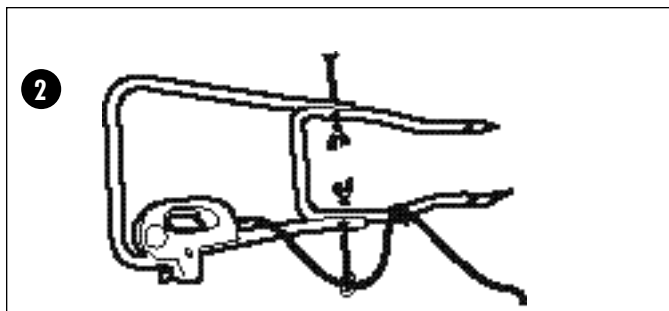


FIGURE 2

## FIXATION DU GUIDON

1. DÉBRANCHEZ L'OUTIL ET ATTENDEZ L'IMMOBILISATION COMPLÈTE DE LA LAME.
2. Bloquez l'avant de la tondeuse de sorte qu'elle ne puisse rouler vers l'avant.
3. Faites glisser les anneaux de retenue des bouchons pour le châssis sur les extrémités du guidon. Assurez-vous que les flèches des bouchons du châssis pointent l'une vers l'autre lorsque les bouchons sont en place (fig. 3A).
4. Alignez les extrémités de la section inférieure du guidon sur les trous du châssis de la tondeuse (fig. 3B).
5. Enfoncez le guidon dans la tondeuse jusqu'à ce qu'il s'enclenche en prenant soin de ne pas coincer ni endommager le cordon.
6. Tirez sur le guidon pour vous assurer qu'il est bien en place.
7. Installez les bouchons des trous du châssis en insérant le bas du bouchon dans le bas du trou, puis faites tourner le bouchon vers l'avant et enfoncez-le jusqu'à ce qu'il s'enclenche fermement en place dans le châssis (fig. 3C).
8. Installez l'attache-cordon sur la section inférieure du guidon pour fixer le cordon.

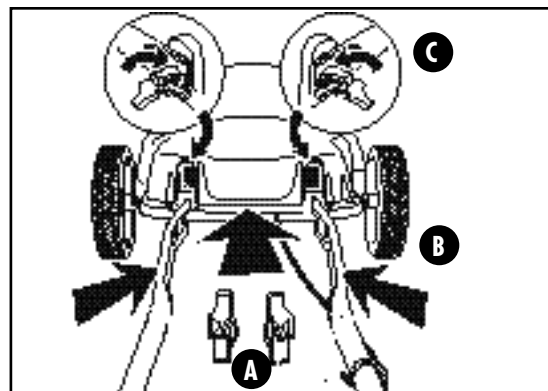


FIGURE 3



**MISE EN GARDE :** N'UTILISEZ JAMAIS un objet pointu pour déplacer des câbles sous gaine.

## DÉCHIQUETAGE

La tondeuse est conçue pour déchiqueter ou éjecter l'herbe selon que la porte de déchiquetage soit fermée (mode de déchiquetage) ou que la porte soit soulevée et que le couloir d'éjection soit en place (mode d'éjection). L'assemblage est terminé pour passer au mode de déchiquetage. CONTINUEZ À LA RUBRIQUE DE FONCTIONNEMENT À LA PAGE 6.

## INSTALLATION DU COULOIR D'ÉJECTION

(Si vous préférez éjecter les brins d'herbe, faites ce qui suit.)

1. DÉBRANCHEZ L'OUTIL ET ATTENDEZ L'IMMOBILISATION COMPLÈTE DE LA LAME.
2. Ouvrez la porte de déchiquetage en tirant sur la prise pour les doigts de la porte (fig. 4A).
3. Alignez les flèches du couloir d'éjection sur les flèches de positionnement du châssis de la tondeuse et insérez le couloir d'éjection de la manière illustrée.
4. Placez le couloir de sorte que ses crochets soient coincés sous ceux du châssis puis relâchez le couloir et la porte (fig. 4B).

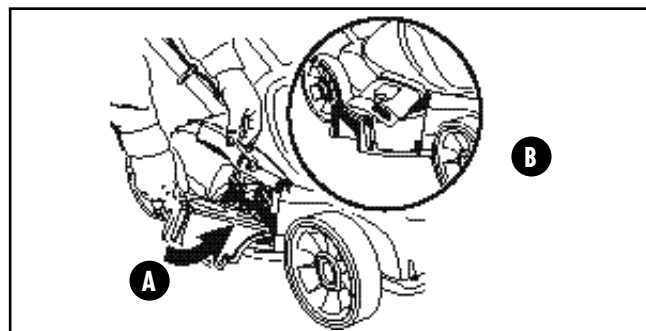


FIGURE 4

# FONCTIONNEMENT

## CONNAISSEZ BIEN VOTRE TONDEUSE.

LISEZ LE PRÉSENT GUIDE D'UTILISATION ET LES MESURES DE SÉCURITÉ AVANT DE VOUS SERVIR DE LA TONDEUSE. Comparez les illustrations à la tondeuse afin de vous familiariser avec l'emplacement des différents dispositifs de réglage et de commande. Conservez le présent guide à titre de référence.

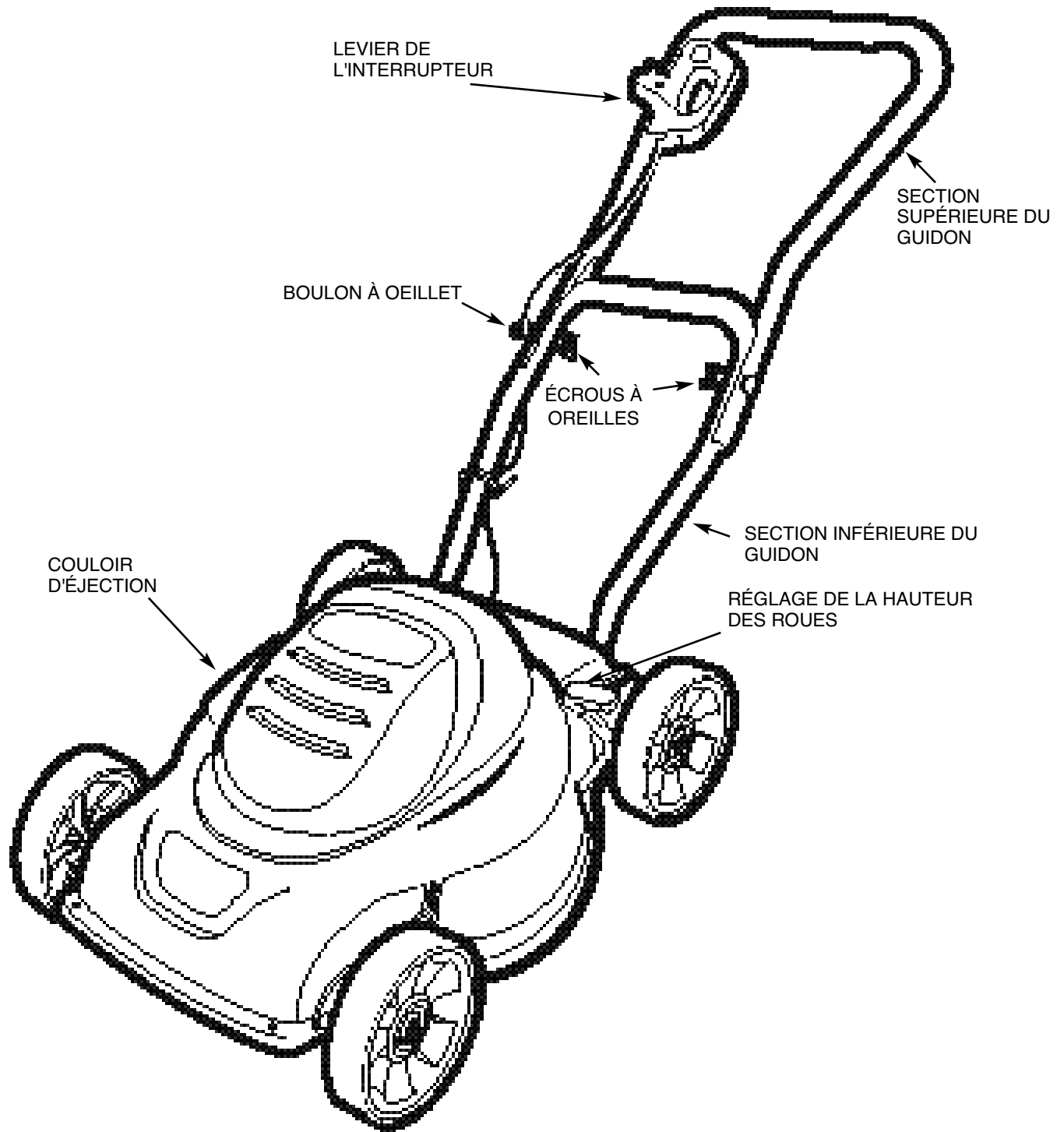


FIGURE 5

# FONCTIONNEMENT



**LORSQUE VOUS VOUS SERVEZ D'UNE TONDEUSE, DES OBJETS PEUVENT ÊTRE PROJETÉS DANS VOS YEUX ET VOUS BLESSER GRIÈVEMENT. PORTEZ TOUJOURS DES LUNETTES DE SÉCURITÉ AVANT DE COMMENCER À TONDRE ET PENDANT LA TONTE. NOUS VOUS RECOMMANDONS DE PORTER UN MASQUE PROTECTEUR PAR DESSUS VOS LUNETTES OU DES LUNETTES DE SÉCURITÉ STANDARD, EN VENTE CHEZ SEARS.**

## DOUBLE ISOLATION

Cet appareil est doté d'une DOUBLE ISOLATION pour plus de sûreté. Les outils à double isolation peuvent être utilisés sur des circuits qui ne sont pas mis à la terre car ils comportent DEUX couches distinctes d'isolant électrique ou une DOUBLE épaisseur d'isolant qui protègent l'utilisateur contre les risques de blessures provenant du système électrique de l'outil.

Ce système de double isolation élimine le besoin de mettre les outils à la terre. En effet, l'outil est muni d'une fiche à deux broches, ce qui permet de brancher un cordon de rallonge sans avoir à se soucier d'assurer la mise à la terre.

**NOTE :** Une tondeuse consiste en un outil important et elle ne devrait pas être utilisée en même temps que d'autres appareils importants sur le même circuit.

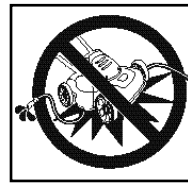


**Avertissement :** Assurez-vous qu'il n'y a ni personne ni animaux domestiques dans un rayon de 30 m (100 pi).



**MISE EN GARDE : POUR RÉPARER TOUT OUTIL, N'UTILISEZ QUE DES PIÈCES DE RECHANGE IDENTIQUES. RÉPAREZ OU REMPLACEZ LES CORDONS ENDOMMAGÉS.**

## INSPECTION DE LA ZONE DE TONTE



Enlevez tout caillou, bâton, fil, et autre débris qui pourraient être projeté par les lames en mouvement.

## FICHE POLARISÉE

Afin de minimiser les risques de secousses électriques, le produit comporte une fiche polarisée (une lame plus large que l'autre). Il faut utiliser une rallonge polarisée appropriée, bifilaire ou trifilaire, avec ce produit. Ce genre de fiche n'entre que d'une façon dans une prise polarisée. Assurez-vous que la prise de la rallonge comporte des fentes de dimensions appropriées. Lorsqu'on ne peut insérer la fiche à fond dans la prise de la rallonge, il faut tenter de le faire après avoir inversé les lames de côté. Si la fiche n'entre toujours pas dans la prise, il faut se procurer une rallonge appropriée. Lorsqu'on ne peut insérer la fiche de la rallonge à fond dans la prise, il faut communiquer avec un électricien certifié. Il ne faut pas neutraliser la fiche de l'outil ni celle de la rallonge.

## CORDONS DE RALLONGE

Les outils à double isolation sont munis de cordons bifilaires et ils peuvent être utilisés avec des cordons de rallonge munis de 2 ou de 3 fils. Il faut utiliser des cordons de rallonge à gaine ronde. Il est conseillé d'utiliser un cordon homologué par l'*Underwriters Laboratories (U.L.)* et la *CSA*. Lorsque le cordon de rallonge est utilisé à l'extérieur, il doit être prévu à cet effet. Tout cordon extérieur peut servir à l'intérieur.

Les cordons de rallonge doivent être faits de conducteurs de calibre approprié (AWG ou jauge américaine des fils) par mesure de sécurité et afin de prévenir les pertes de puissance et les surchauffes. Le numéro de calibre du fil est inversement proportionnel à la capacité du cordon. Ainsi, un cordon de calibre 16 a une capacité supérieure à un cordon de calibre 18. Lorsqu'il est nécessaire d'utiliser plus d'un cordon de rallonge, veiller à ce que chaque cordon ait au moins le calibre minimal.

Le tableau ci-dessous permet de déterminer le calibre minimal des cordons. (Voyez la plaque signalétique de la tondeuse pour en connaître l'intensité.) Assurez-vous du bon état de votre rallonge. L'isolant du cordon doit être intact (sans fêlure, ni dommage). Les connecteurs de la fiche doivent être en bon état. Lorsque vous vous servez d'un cordon de rallonge, ce dernier doit être suffisant pour la tension de l'outil. Un cordon de calibre inférieur entraîne une baisse de tension qui occasionne une baisse de puissance et une surchauffe; ce qui peut diminuer la durée du moteur. Le tableau indique les calibres appropriés en fonction de la longueur de la rallonge et de l'intensité nominale de la plaque signalétique de l'outil. En cas de doute, utilisez un cordon de calibre supérieur. Le numéro de calibre du cordon est inversement proportionnel à la capacité du cordon.

## FIXATION DU CORDON DE RALLONGE À LA TONDEUSE (fig. 6)

**NE branchez PAS** la rallonge à la prise avant d'avoir lu tout le présent guide et d'être prêt à tondre.

1. La fiche de la rallonge est polarisée et elle ne se branche que d'une façon. Il faut aligner la fente large de la fiche sur la broche large du boîtier de l'interrupteur.
2. Faites une boucle à l'extrémité de la rallonge et insérez la boucle dans le trou du boîtier de l'interrupteur.
3. Tirez sur la rallonge du côté de la boucle qui est branché dans le boîtier afin de la rendre moins lâche.
4. Placez la boucle sur la patte de retenue du boîtier de l'interrupteur et tirez sur le cordon de sorte que la boucle se place autour de la patte de retenue de la manière illustrée. Assurez-vous que la boucle n'est pas lâche.

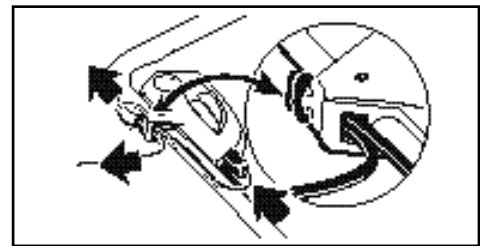


FIGURE 6

120 volts	Longueur totale du cordon de rallonge - en pieds			
Tension Intérieure Supérieure à à	25	50	100	150
	<b>A.W.G.</b>			
0 - 6	18	16	16	14
6 - 10	18	16	14	12
10 - 12	16	16	14	12
12 - 16	14	12	NON RECOMMANDÉ	

# FONCTIONNEMENT

## INTERRUPTEUR

La tondeuse est munie d'un interrupteur particulier. Pour l'actionner, insérez le doigt dans l'ouverture (voyez la figure 7) et poussez le levier de façon à pouvoir l'agripper de l'autre main. Écrasez alors le levier contre le guidon afin de mettre la tondeuse en marche. Pour arrêter la tondeuse, il suffit de relâcher le levier. Celui-ci est muni d'un ressort qui le ramène automatiquement dans sa position initiale, à l'intérieur du boîtier.

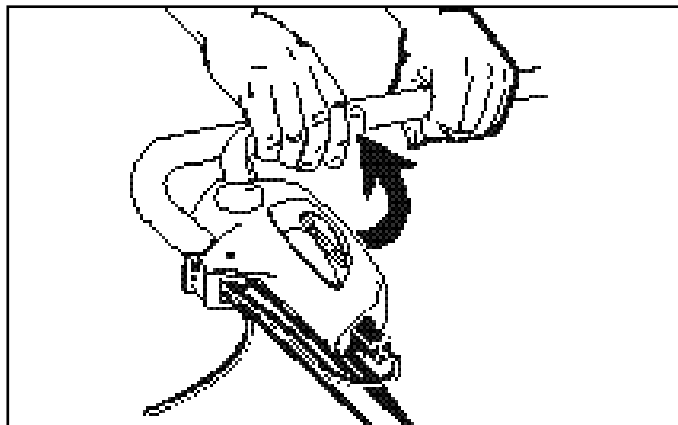


FIGURE 7



**MISE EN GARDE : NE TENTEZ JAMAIS DE NEUTRALISER LE FONCTIONNEMENT DE L'INTERRUPTEUR.**

## BRANCHEMENT DE LA RALLONGE (fig. 8)

1. Déposez la rallonge près de la prise électrique, loin de la trajectoire de la tondeuse. Fixez la rallonge à la tondeuse.
2. Commencez à tondre en laissant la rallonge près de la prise et en vous éloignant de la prise dans un mouvement de va-et-vient. Remarquez qu'il faut laisser la rallonge sur la portion tondue de la pelouse, loin de la tondeuse (fig. 8).
3. Évitez la tonte en cercles; vous risquez de vous mêler dans la rallonge.

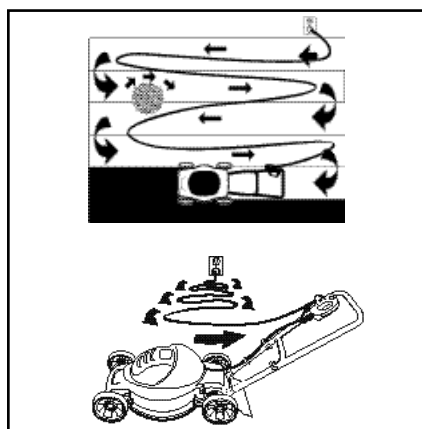


FIGURE 8



**MISE EN GARDE : NE BRANCHEZ PAS LE CORDON LORSQUE VOUS VOUS TENEZ DANS L'EAU OU QUE VOS MAINS SONT MOUILLÉES.**

## HAUTEUR DE COUPE APPROXIMATIVE RECOMMANDÉE

La hauteur de coupe devrait être élevée pendant la saison chaude ou à l'ombre, et basse pour la dernière tonte avant l'hiver.

HERBE – SAISON FRAÎCHE		
TYPE	OMBRE	SOLEIL
AGROSTIDE STOLONIFÈRE	1 1/3 po	2/3 po
AGROSTIDE CANINE	1/4 po	1/2 po
PÂTURIN ANNUEL	1/2 po	1
PÂTURIN COMPRIMÉ	3 po	4 po
PÂTURIN DES PRÉS	2 1/2 po	3 po
PÂTURIN RUDE	1 po	1 1/2 po
BROME INERME	3 po	4 po
FÉTUQUE CHEVELUE	1 1/2 po	2 1/2 po
FÉTUQUE ÉLEVÉE	2 1/2 po	4 po
RAY-GRASS	2 po	2 1/2 po
HERBE – SAISON CHAUDE		
TYPE	OMBRE	SOLEIL
HERBE DE BAHIA	2 po	3 po
HERBE DES BERMUDES	1/2 po	1 po
HERBE AUX BISONS	1 1/2 po	2 1/2 po
HERBE DES JÉSUITES	1 po	2 po
EREMOCHLOA APHIUROIDES	1 po	2 po
CHIENDENT DE BOEUF	2 po	3 po
GAZON DE MANILLE	1/2 po	1 po

NOTE : La hauteur de coupe de votre tondeuse va de 1 po à 3 1/2 po.

## RÉGLAGE DE LA HAUTEUR DES ROUES (fig. 9)

1. AVANT DE FAIRE TOUT RÉGLAGE, METTEZ LA TONDEUSE HORS TENSION, DÉBRANCHEZ-LA ET ATTENDEZ L'IMMOBILISATION COMPLÈTE DE LA LAME.
2. Votre tondeuse comporte le dispositif monotouche de réglage de la hauteur de Craftsman. Ce système règle simultanément la hauteur des quatre roues. Il y a six réglages de hauteur de 1 po à 3 1/2 po.
3. Placez votre main gauche sur le levier de réglage de la hauteur et votre main droite sur la section inférieure du guidon (fig. 9).
4. Tirez sur le levier de réglage de la hauteur en l'éloignant de la tondeuse et réglez-le à la position voulue. (Consultez plus haut le tableau de la hauteur recommandée en fonction du type d'herbe.) Lorsque vous faites tourner le réglage de la hauteur vers l'avant de la tondeuse vous en abaissez la hauteur de coupe, et lorsque vous le faites tourner vers l'arrière, vous augmentez la hauteur de coupe.

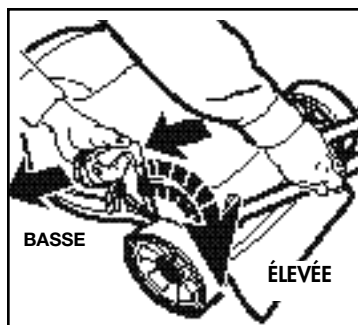


FIGURE 9

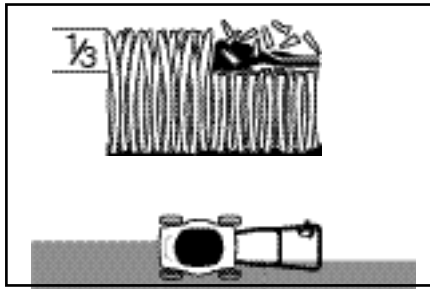
POSITIONS POUR LA HAUTEUR DE COUPE	
Position	Hauteur de coupe
1 (BASSE)	25,4 mm (1 po)
2	38,1 mm (1 1/2 po)
3	50,8 mm (2 po)
4	63,5 mm (2 1/2 po)
5	76,2 mm (3 po)
6 (ÉLEVÉE)	88,9 mm (3 1/2 po)

# FONCTIONNEMENT

## CONSEILS PRATIQUES RELATIFS AU DÉCHIQUETAGE

En mode de déchiquetage, votre tondeuse déchiquette les brins d'herbe. Ces brins qui sont dispersés pendant la tonte se biodégradent rapidement et servent à nourrir votre pelouse par la suite.

- Réglez la tondeuse à la hauteur de coupe maximale lorsque le terrain est inégal ou que l'herbe est haute.
- Évitez de tailler l'herbe mouillée qui a tendance à former des tas en mode de déchiquetage. Il est préférable de tondre la pelouse en après-midi.
- Afin d'optimiser les résultats, réglez la hauteur de coupe de sorte que seul le tiers supérieur des brins d'herbe soit coupé.
- Lorsque l'herbe est haute, il convient d'augmenter la hauteur de coupe afin de minimiser les contraintes et de prévenir la surchauffe du moteur.
- Lorsque le déchiquetage est intense, diminuez la largeur de coupe et tondez lentement.
- Modifiez votre trajectoire de coupe d'une semaine à l'autre. Une semaine, tondez du nord au sud et, la semaine suivante, d'est en ouest. Cela prévient la détérioration de l'aspect de la pelouse.



**MISE EN GARDE : NE TENTEZ PAS DE DÉBLOQUER LA CAVITÉ DE LA LAME EN FRAPPANT LA TONDEUSE CONTRE LE SOL AU RISQUE DE L'ENDOMMAGER. ÉLOIGNEZ LES MAINS DE LA LAME LORSQUE VOUS NETTOYEZ LA TONDEUSE.**

## ÉJECTION

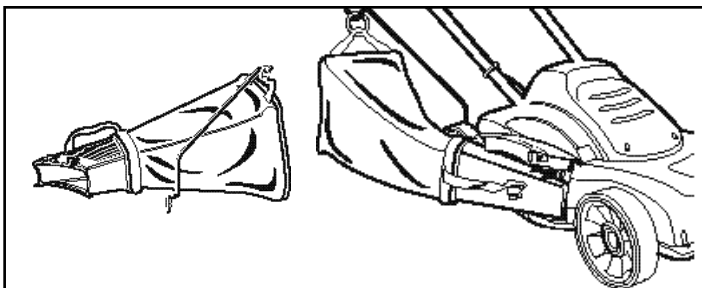
La tondeuse est conçue pour disperser les brins sur la pelouse.

1. Il peut être nécessaire d'éjecter les brins si le sac à herbe vendu séparément se remplit trop vite.
2. Par la suite, vous pouvez mieux disperser les brins au moyen d'un souffleur.
3. Lorsque l'herbe est haute, faites des passes étroites.

## SAC À HERBE (VENDU SÉPARÉMENT)

Il est conseillé d'ensacher les brins des premières tontes du printemps et de la dernière tonte de la saison afin de prévenir les maladies (n° de réf. Sears 38215).

1. L'ensachage est pratique pour minimiser la quantité de brins qui se retrouvent dans les piscines et les maisons.
2. Vous pouvez verser les brins dans votre bac de compostage afin de vous en servir plus tard comme engrais naturel.



## CONSEILS RELATIFS À LA COUPE

- Coupez l'herbe en travers des pentes, jamais de haut en bas. Faites preuve de prudence lorsque vous changez de sens de coupe dans les pentes. Ne tondez pas les pentes abruptes. Gardez toujours un bon équilibre.
- Relâchez l'interrupteur pour arrêter la tondeuse lorsque vous traversez une surface recouverte de cailloux (ces derniers peuvent être projetés par la lame).
- Réglez la tondeuse à la hauteur de coupe maximale pour les surfaces inégales ou pour l'herbe haute.
- À l'occasion, il faut mettre la tondeuse hors tension - DÉBRANCHEZ-LA et retournez-la sur le côté. Utilisez un bâton ou un objet semblable afin d'enlever les accumulations de brindilles autour de la lame. Prenez garde aux arêtes tranchantes de la lame. Si vous utilisez un sac à herbe pendant la période de pousse rapide, celui-ci peut se bloquer au niveau du couloir d'éjection. Mettez alors la tondeuse HORS TENSION et débranchez-la. Retirez le sac et secouez-le de sorte que l'herbe s'en aille au fond du sac. De plus, enlevez les brindilles et les débris accumulés autour du couloir d'éjection. Remettez le sac à herbe en place. Il faut nettoyer souvent la tondeuse lorsque l'herbe est mouillée et au printemps.
- Lorsque la tondeuse commence à vibrer de façon anormale, mettez la tondeuse hors tension et débranchez le cordon. Recherchez immédiatement la cause des vibrations. Ces dernières sont habituellement un signe de dérangement. N'utilisez pas la tondeuse avant de l'avoir vérifiée.
- **METTEZ TOUJOURS LA TONDEUSE HORS TENSION ET DÉBRANCHEZ-LA AVANT DE LA LAISSER SANS SURVEILLANCE, MÊME POUR QUELQUES INSTANTS.**
- Lorsque l'herbe est coupée, mettez la tondeuse hors tension et débranchez le cordon de la prise avant de l'enrouler pour le rangement.



# ENTRETIEN

Avant chaque session de tonte, débranchez la tondeuse et attendez l'immobilisation de la lame. Vérifiez si tous les écrous, boulons et vis sont bien serrés. N'oubliez pas de vérifier le système de fixation de la lame.

**IMPORTANT :** Pour assurer la **SÉCURITÉ D'EMPLOI** et la **FIABILITÉ** de l'outil, n'en confiez la réparation, l'entretien et les rajustements (y compris l'inspection et le remplacement des balais) qu'à un centre de service SEARS ou à un atelier d'entretien autorisé n'utilisant que les seules pièces de rechange Sears. Lors des travaux d'entretien, **N'UTILISEZ QUE DES PIÈCES DE RECHANGE IDENTIQUES.**

Inspectez et nettoyez à fond la tondeuse au début de chaque saison de tonte afin d'en prolonger la durée et d'en améliorer le rendement.

De temps en temps, mettez la tondeuse hors tension et attendez l'immobilisation de la lame. Puis, débranchez la rallonge et retournez la tondeuse sur le côté. Utilisez un bâton ou un chiffon pour nettoyer toute accumulation de brin dans la cavité de la lame. Il faut aussi nettoyer toute accumulation d'herbe près de la porte de déchiquetage ou du couloir d'éjection. Prenez garde de ne pas vous blesser sur les arêtes tranchantes de la lame.

## SERVICE ET RÉGLAGES

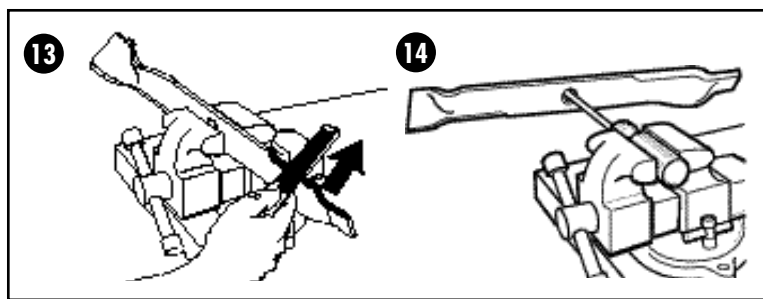
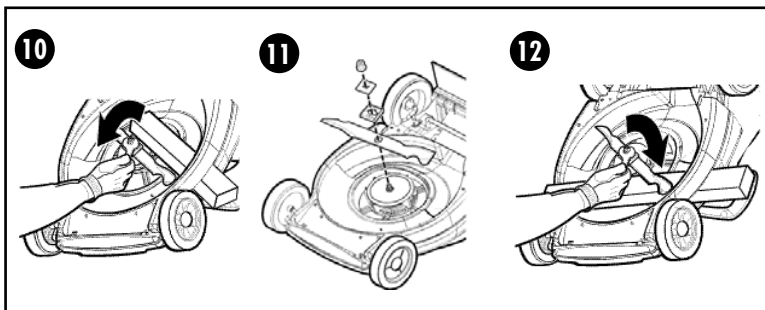
### RETRAIT ET FIXATION DE LA LAME (fig. 10, 11 ET 12)

1. **RELÂCHEZ LE LEVIER DE L'INTERRUPTEUR POUR METTRE LA TONDEUSE HORS SERVICE, ATTENDEZ L'IMMOBILISATION COMPLÈTE DE LA LAME ET DÉBRANCHEZ-LA.**
2. Utilisez un morceau de bois de 2 po sur 4 po d'une longueur d'environ 2 pi afin d'empêcher la lame de tourner lorsque vous retirez l'écrou de la lame.
3. Portez des gants, placez le bout de bois et retirez l'écrou, comme le montre la figure 10.
4. Retirez la cale inférieure de la lame, la rondelle d'étanchéité inférieure et la lame (voir la figure 11).
5. Lors de l'installation d'une lame affûtée ou neuve sur le ventilateur, assurez-vous que la mention "GRASS SIDE" de la lame se trouve près du sol. Installez la rondelle d'isolation inférieure sur l'épaule du ventilateur. Ensuite, placez la cale de la lame et l'écrou de la lame sur l'arbre du moteur.

**NOTE :** Alignez les creux internes de l'arbre sur ceux de la cale et de la rondelle. Remplacez le morceau de bois pour empêcher l'arbre de tourner (voir la figure 12). Serrez bien l'écrou de la lame.

### AFFÛTAGE ET ÉQUILIBRAGE DE LA LAME (fig. 13 et 14)

1. **RELÂCHEZ LE LEVIER DE L'INTERRUPTEUR ET ATTENDEZ L'IMMOBILISATION DE LA LAME, PUIS DÉBRANCHEZ LE CORDON AVANT DE RETIRER LA LAME.**
2. Retirez la lame de la tondeuse; voyez la rubrique relative au retrait et à l'installation de la lame.
3. Fixez la lame dans un étau de la façon illustrée à la figure 13.
4. Portez des lunettes de sécurité et prenez garde de ne pas vous couper.
5. Limez soigneusement les arêtes tranchantes de la lame à l'aide d'une lime fine ou d'une meule.
6. Vérifiez l'équilibre de la lame en accrochant la lame par son trou central sur un clou ou la tige d'un tournevis fixé à la verticale dans un étau. Si l'un de côté de la lame penche, affûtez cette extrémité. La lame est bien équilibrée lorsqu'elle ne penche pas d'un côté ni de l'autre (fig. 14).
7. Remettez la lame en place et serrez-la bien.



### LUBRIFICATION

Il n'est pas nécessaire de lubrifier la tondeuse. Ne graissez pas les roues. Celles-ci comportent des roulements dont la surface en plastique ne nécessite aucune lubrification.

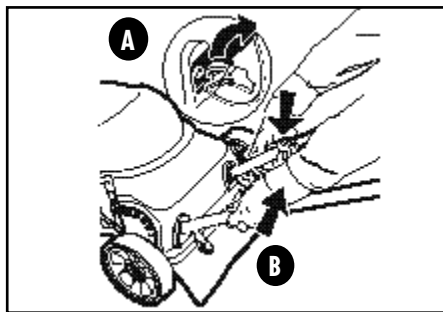
# ENTREPOSAGE

## RETRAIT DU GUIDON

1. DÉBRANCHEZ LA TONDEUSE ET ATTENDEZ L'IMMOBILISATION COMPLÈTE DE LA LAME.
2. Bloquez l'arrière de la tondeuse de sorte qu'elle ne roule pas vers l'arrière.
3. Abaissez la patte du bouchon du trou du châssis et faites tourner le bouchon pour le retirer du châssis (fig. A).
4. Saisissez les extrémités inférieures du guidon des deux mains. Les poussez l'une vers l'autre tout en tirant le guidon hors du châssis (fig. B).



**MISE EN GARDE : N'UTILISEZ JAMAIS UN OBJET POINTU POUR ÉLOIGNER LES FILS SOUS GAINÉ.**



## NETTOYAGE ET ENTREPOSAGE

**Avertissement! Assurez-vous que l'outil est débranché.**

Enlevez tout débris de l'extérieur de la tondeuse et de l'intérieur du protecteur et nettoyez ces composantes avant de ranger la tondeuse. Couvrez la tondeuse pour le rangement. Consultez la rubrique relative à l'ENTRETIEN.

**NOTE :** Ne rangez pas la tondeuse sur des engrais ni des produits chimiques, ni à proximité de tels produits au risque de provoquer la corrosion rapide des pièces métalliques.

## PRÉVENTION DE LA CORROSION

Les produits fertilisants ou chimiques renferment des agents qui accélèrent grandement la corrosion des métaux. Lorsque vous utilisez la tondeuse à des endroits où des produits fertilisants ou chimiques ont été répandus, nettoyez-la immédiatement. Essuyez toutes les pièces exposées à ces produits avec un chiffon humide. Vous pouvez seulement lubrifier les pièces métalliques avec une huile de pétrole légère. Ne lubrifiez pas les roues.

Il est plus aisé de nettoyer le dessous de la tondeuse immédiatement après s'en être servie (**ASSUREZ-VOUS QUE LA TONDEUSE EST DÉBRANCHÉE ET QUE LA LAME EST IMMOBILE**). Vous pouvez vous servir d'un chiffon, de papier journal ou d'essuie-tout pour enlever les brins d'herbe accumulés. Un châssis propre améliore l'efficacité de la lame et en maintient le rendement optimal. Lors des travaux d'entretien, il NE FAUT PAS arroser l'outil ni se servir d'un boyau ou d'un appareil de nettoyage sous pression. Utilisez seulement un savon doux et un chiffon humide pour nettoyer la tondeuse. Ne laissez aucun liquide s'infiltrer dans la tondeuse et ne l'immergez jamais.



**MISE EN GARDE : N'ARROSEZ PAS LA TONDEUSE NI VERSEZ DE L'EAU SUR CELLE-CI DANS LE BUT DE LA NETTOYER.**

# GUIDE DE DÉPANNAGE

PROBLÈME	MESURE CORRECTIVE
- Le moteur ne démarre pas.	- Vérifiez le fusible ou le disjoncteur pour s'assurer que la prise est alimentée. - Vérifiez si la rallonge fonctionne avec un autre appareil électrique. - Communiquez avec le représentant du service à la clientèle au 1 800 469-4663.
- Le moteur ne cesse de ralentir.	- De l'herbe peut bloquer le dessous de la tondeuse. DÉBRANCHEZ la tondeuse et nettoyez-la. - L'herbe peut être trop haute, poussez la tondeuse plus lentement ou augmentez la hauteur de coupe. - Vérifiez l'affûtage et l'équilibre de la lame; corrigez la situation au besoin. - En mode de déchiquetage, il peut y avoir trop d'herbe, DÉBRANCHEZ la tondeuse et fixez le couloir d'éjection pour disperser les brins.
- Résultats médiocres.	- La lame peut être émoussée; débranchez la tondeuse et en vérifiez prudemment l'affûtage. - La lame peut être endommagée (pliée ou éméchée). DÉBRANCHEZ la tondeuse et remplacez la lame au besoin. - L'herbe peut être trop haute ou épaisse pour la hauteur de coupe. DÉBRANCHEZ la tondeuse et augmentez la hauteur de coupe.
- Vibrations excessives.	- La lame peut être lâche. DÉBRANCHEZ la tondeuse et vérifiez si la lame est bien fixée. - La lame peut être pliée ou éméchée. DÉBRANCHEZ la tondeuse et remplacez la lame au besoin. - La lame peut être déséquilibrée. Consultez la rubrique du présent guide relative à l'équilibrage de la lame.
- La tondeuse avance difficilement.	- La tondeuse est trop basse pour la quantité d'herbe à couper. DÉBRANCHEZ la tondeuse et augmentez-en la hauteur de coupe. - DÉBRANCHEZ la tondeuse et vérifiez-en les roues et les essieux pour vous assurer qu'ils tournent librement.
- Éjection de tas de gazon.	- Il y a trop d'herbe. DÉBRANCHEZ la tondeuse et augmentez-en la hauteur de coupe. - En mode de déchiquetage, il peut y avoir trop d'herbe, DÉBRANCHEZ la tondeuse et fixez le couloir d'éjection pour disperser les brins. - DÉBRANCHEZ la tondeuse et vérifiez l'affûtage de la lame. - L'herbe peut être trop mouillée pour être coupée. Attendez qu'elle sèche.
- Blocage du sac à herbe ou du couloir d'éjection.	- L'herbe peut être trop mouillée pour être coupée. Attendez qu'elle sèche. - Il y a trop d'herbe. DÉBRANCHEZ la tondeuse et augmentez-en la hauteur de coupe.

SEARS DE 18 PO TONDEUSE-DÉCHIQUETEUSE - NO DE MODÈLE C935-355170

PICTURE OF UNIT WITH  
CALLOUTS

PARTS LIST

# SEARS

## *Guide d'utilisation*

**Modèle  
C935-355170**

# SEARS

*LE SERVICE  
À  
VOTRE  
SERVICE*

Le numéro de modèle se trouve sur la plaque signalétique à l'arrière du châssis de la tondeuse.

Consignez ce numéro dans un endroit sûr à titre de référence.

### COMMENT COMMANDER DES PIÈCES DE RECHANGE

Chaque TONDEUSE a son propre NUMÉRO DE MODÈLE.

Le NUMÉRO DE MODÈLE de votre tondeuse se trouve sur la plaque signalétique à l'ARRIÈRE DU CHÂSSIS de la tondeuse.

Indiquez toujours le NUMÉRO DE MODÈLE lorsque vous vous adressez au service d'entretien ou lorsque vous commandez des pièces de rechange pour votre TONDEUSE.

Toutes les pièces décrites sur la liste des pièces de rechange peuvent être commandées à tout MAGASIN DE DÉTAIL OU COMPTOIR POSTAL SEARS CANADA INC. Lorsque les pièces voulues ne sont pas disponibles sur place, votre commande est transmise au centre de distribution des pièces de rechange SEARS, pour un traitement rapide.

Lorsque vous commandez des pièces par la poste, les prix de vente sont fournis sur demande ou les pièces sont expédiées aux prix en vigueur et vous serez facturé en conséquence.

LORSQUE VOUS COMMANDEZ DES PIÈCES DE RECHANGE, VEUILLEZ TOUJOURS INDIQUER :

1. LE NUMÉRO DE LA PIÈCE;
2. LA DESCRIPTION DE LA PIÈCE;
3. LE NUMÉRO DE MODÈLE;
4. LE NOM DE L'OUTIL.

Les produits Sears gagnent en valeur lorsque vous découvrez qu'il y a des centres de service Sears dans l'ensemble du pays. On y retrouve des techniciens qualifiés, formés par Sears utilisant les techniques approuvées par Sears.

Faites-le réparer, à domicile ou à l'atelier!

Téléphonez au :

**1-800-LE-FOYER<sup>(MD)</sup>**

(1-800-533-6937)

24 heures par jour, 7 jours par semaine

Pour la réparation des appareils électroménagers de grandes marques à  **votre domicile** ... peu importe le fabricant ou le détaillant!

Pour connaître l'emplacement du **Service des pièces et de l'entretien Sears** le plus proche afin d'y apporter des produits tels que des aspirateurs, tondeuses à gazon ou appareils électroniques.

Pour contacter le **Service des pièces et de l'entretien Sears** afin de commander les pièces de rechange, accessoires et manuels d'instructions requis pour effectuer vous-même les réparations.

sears.ca

---

Pour acheter ou demander des renseignements sur un contrat d'entretien Sears, téléphonez au :

**1-800-361-6665**

de 9 h à 20 h du lundi au vendredi (HNE), de 9 h à 16 h le samedi

---

For service in english :

**1-800-4-MY-HOME<sup>®</sup>**

(1-800-469-4663)

sears.ca

Centre du foyer.  
**SEARS**

(MD) Marque déposée! <sup>MC</sup> Marque de commerce de Sears, Roebuck and Co. utilisée en vertu d'une licence de Sears Canada

---

---