

Please read and save these instructions. Read through this owner's manual carefully before using product. Protect yourself and others by observing all safety information, warnings, and cautions. Failure to comply with instructions could result in personal injury and/or damage to product or property. Please retain instructions for future reference.

WESTWARD®

Portable Air Compressor

Description

Oil free air compressor for use in the home with a 50/50 duty cycle. The 3 gallon air compressor is designed for durability and low maintenance. Includes check valve, pressure switch, safety valve, gauges, regulator, hose, and tire chuck.

Unpacking

Grasp handle and lift the air compressor out of the carton. Remove all packaging from air compressor and discard. Save all literature.

After unpacking unit, inspect carefully for any damage that may have occurred during transit. Check for loose, missing, or damaged parts. Shipping damage claim must be filed with carrier.



Specifications

Model	Max. Pressure	Tank Size (gallons)	Current Required	Volts/Hertz/Phase	SCFM@40 PSIG	SCFM@90 PSIG
3JR70A	135	3	10 AMP	120/60/1	3.7	2.6

Dimensions

Length	Width	Height	Weight
27.75"	10.50"	16"	32 lbs.

DEV002

A08588

Printed in U.S.A.

7/05 r1



Portable Air Compressor

Safety Guidelines - Definitions

This manual contains information that is important for you to know and understand. This information relates to protecting **YOUR SAFETY** and **PREVENTING EQUIPMENT PROBLEMS**. To help you recognize this information, we use the symbols below. Please read the manual and pay attention to these sections.

⚠ CAUTION *Indicates a potentially hazardous situation which, if not avoided, may result in minor or moderate injury.*

⚠ WARNING *Indicates a potentially hazardous situation which, if not avoided, could result in death or serious injury.*

⚠ DANGER *Indicates an imminently hazardous situation which, if not avoided, will result in death or serious injury.*

NOTE: Indicates special instructions, which are important but not related to hazards.

IMPORTANT: Indicates factors concerned with assembly, installation, operation, or maintenance, which could result in damage to the machine or equipment if ignored.

Important Safety Instructions

⚠ WARNING *Some dust created by power sanding, sawing, grinding, drilling, and other construction activities contains chemicals known (to the State of California) to cause cancer, birth defects or other reproductive harm. Some example of these chemicals are:*

- *lead from lead-based paints*
- *crystalline silica from bricks and cement and other masonry products*
- *arsenic and chromium from chemically-treated lumber*

Your risk from these exposures varies, depending on how often you do this type of work. To reduce your exposure to these chemicals when using such tools:

- *work in a well ventilated area*
- *work with approved safety equipment*
- *always wear MSHA/NIOSH approved, properly fitting face mask or respirator.*

When using air tools, basic safety precautions should always be followed to reduce the risk of personal injury.



Portable Air Compressor



SAVE THESE INSTRUCTIONS



IMPROPER OPERATION OR MAINTENANCE OF THIS PRODUCT COULD RESULT IN SERIOUS INJURY AND PROPERTY DAMAGE. READ AND UNDERSTAND ALL WARNINGS AND OPERATING INSTRUCTIONS BEFORE USING THIS EQUIPMENT.

HAZARD

RISK OF EXPLOSION OR FIRE



WHAT CAN HAPPEN	HOW TO PREVENT IT
<p>IT IS NORMAL FOR ELECTRICAL CONTACTS WITHIN THE MOTOR AND PRESSURE SWITCH TO SPARK.</p> <p>IF ELECTRICAL SPARKS FROM COMPRESSOR COME INTO CONTACT WITH FLAMMABLE VAPORS, THEY MAY IGNITE, CAUSING FIRE OR EXPLOSION.</p> <p>RESTRICTING ANY OF THE COMPRESSOR VENTILATION OPENINGS WILL CAUSE SERIOUS OVERHEATING AND COULD CAUSE FIRE.</p> <p>UNATTENDED OPERATION OF THIS PRODUCT COULD RESULT IN PERSONAL INJURY OR PROPERTY DAMAGE. TO REDUCE THE RISK OF FIRE, DO NOT ALLOW THE COMPRESSOR TO OPERATE UNATTENDED.</p>	<p>ALWAYS OPERATE THE COMPRESSOR IN A WELL VENTILATED AREA FREE OF COMBUSTIBLE MATERIALS, GASOLINE OR SOLVENT VAPORS.</p> <p>IF SPRAYING FLAMMABLE MATERIALS, LOCATE COMPRESSOR AT LEAST 20 FEET AWAY FROM SPRAY AREA. AN ADDITIONAL LENGTH OF HOSE MAY BE REQUIRED.</p> <p>STORE FLAMMABLE MATERIALS IN A SECURE LOCATION AWAY FROM COMPRESSOR.</p> <p>NEVER PLACE OBJECTS AGAINST OR ON TOP OF COMPRESSOR. OPERATE COMPRESSOR IN AN OPEN AREA AT LEAST 12 INCHES AWAY FROM ANY WALL OR OBSTRUCTION THAT WOULD RESTRICT THE FLOW OF FRESH AIR TO THE VENTILATION OPENINGS.</p> <p>OPERATE COMPRESSOR IN A CLEAN, DRY, WELL VENTILATED AREA. DO NOT OPERATE UNIT INDOORS OR IN ANY CONFINED AREA.</p> <p>ALWAYS REMAIN IN ATTENDANCE WITH THE PRODUCT WHEN IT IS OPERATING.</p> <p>ALWAYS DISCONNECT ELECTRICAL POWER BY MOVING PRESSURE SWITCH LEVER TO THE OFF POSITION AND DRAIN TANK DAILY OR AFTER EACH USE.</p>



Portable Air Compressor

HAZARD

RISK OF BURSTING



AIR TANK: THE FOLLOWING CONDITIONS COULD LEAD TO A WEAKENING OF THE TANK, AND RESULT IN A VIOLENT TANK EXPLOSION AND COULD CAUSE PROPERTY DAMAGE OR SERIOUS INJURY.

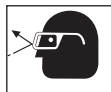
WHAT CAN HAPPEN	HOW TO PREVENT IT
<ol style="list-style-type: none"> 1. FAILURE TO PROPERLY DRAIN CONDENSED WATER FROM THE TANK, CAUSING RUST AND THINNING OF THE STEEL TANK. 2. MODIFICATIONS OR ATTEMPTED REPAIRS TO THE TANK. 3. UNAUTHORIZED MODIFICATIONS TO THE UNLOADER VALVE, SAFETY VALVE, OR ANY OTHER COMPONENTS WHICH CONTROL TANK PRESSURE. 4. EXCESSIVE VIBRATION CAN WEAKEN THE AIR TANK AND CAUSE RUPTURE OR EXPLOSION. 	<p>DRAIN TANK DAILY OR AFTER EACH USE. IF TANK DEVELOPS A LEAK, REPLACE IT IMMEDIATELY WITH A NEW TANK OR REPLACE THE ENTIRE COMPRESSOR.</p> <p>NEVER DRILL INTO, WELD, OR MAKE ANY MODIFICATIONS TO THE TANK OR ITS ATTACHMENTS.</p> <p>THE TANK IS DESIGNED TO WITHSTAND SPECIFIC OPERATING PRESSURES. NEVER MAKE ADJUSTMENTS OR PARTS SUBSTITUTIONS TO ALTER THE FACTORY SET OPERATING PRESSURES.</p>
<p><u>ATTACHMENTS & ACCESSORIES:</u> EXCEEDING THE PRESSURE RATING OF AIR TOOLS, SPRAY GUNS, AIR OPERATED ACCESSORIES, TIRES AND OTHER INFLATABLES CAN CAUSE THEM TO EXPLODE OR FLY APART, AND COULD RESULT IN SERIOUS INJURY.</p>	<p>FOR ESSENTIAL CONTROL OF AIR PRESSURE, YOU MUST INSTALL A PRESSURE REGULATOR AND PRESSURE GAUGE TO THE AIR OUTLET (IF NOT EQUIPPED) OF YOUR COMPRESSOR. FOLLOW THE EQUIPMENT MANUFACTURERS RECOMMENDATION AND NEVER EXCEED THE MAXIMUM ALLOWABLE PRESSURE RATING OF ATTACHMENTS. NEVER USE COMPRESSOR TO INFLATE SMALL LOW-PRESSURE OBJECTS SUCH AS CHILDREN'S TOYS, FOOTBALLS, BASKETBALLS, ETC.</p>



Portable Air Compressor

HAZARD

RISK FROM FLYING OBJECTS



WHAT CAN HAPPEN	HOW TO PREVENT IT
<p>THE COMPRESSED AIR STREAM CAN CAUSE SOFT TISSUE DAMAGE TO EXPOSED SKIN AND CAN PROPEL DIRT, CHIPS, LOOSE PARTICLES AND SMALL OBJECTS AT HIGH SPEED, RESULTING IN PROPERTY DAMAGE OR PERSONAL INJURY.</p>	<p>ALWAYS WEAR ANSI Z87.1 APPROVED SAFETY GLASSES WITH SIDE SHIELDS WHEN USING THE COMPRESSOR.</p> <p>NEVER POINT ANY NOZZLE OR SPRAYER TOWARD ANY PART OF THE BODY OR AT OTHER PEOPLE OR ANIMALS.</p> <p>ALWAYS TURN THE COMPRESSOR OFF AND BLEED PRESSURE FROM THE AIR HOSE AND TANK BEFORE ATTEMPTING MAINTENANCE, ATTACHING TOOLS, OR ACCESSORIES.</p>

HAZARD

RISK OF ELECTRICAL SHOCK



WHAT CAN HAPPEN	HOW TO PREVENT IT
<p>YOUR AIR COMPRESSOR IS POWERED BY ELECTRICITY. LIKE ANY OTHER ELECTRICALLY POWERED DEVICE, IF IT IS NOT USED PROPERLY, IT MAY CAUSE ELECTRIC SHOCK.</p> <p>REPAIRS ATTEMPTED BY UNQUALIFIED PERSONNEL CAN RESULT IN SERIOUS INJURY OR DEATH BY ELECTROCUTION.</p> <p>ELECTRICAL GROUNDING: FAILURE TO PROVIDE ADEQUATE GROUNDING TO THIS PRODUCT COULD RESULT IN SERIOUS INJURY OR DEATH FROM ELECTROCUTION. SEE GROUNDING INSTRUCTIONS.</p>	<p>NEVER OPERATE THE COMPRESSOR OUTDOORS WHEN IT IS RAINING OR IN WET CONDITIONS.</p> <p>NEVER OPERATE COMPRESSOR WITH PROTECTIVE COVERS REMOVED OR DAMAGED.</p> <p>ANY ELECTRICAL WIRING OR REPAIRS REQUIRED ON THIS PRODUCT SHOULD BE PERFORMED BY AUTHORIZED SERVICE CENTER PERSONNEL IN ACCORDANCE WITH NATIONAL AND LOCAL ELECTRICAL CODES.</p> <p>MAKE CERTAIN THAT THE ELECTRICAL CIRCUIT TO WHICH THE COMPRESSOR IS CONNECTED PROVIDES PROPER ELECTRICAL GROUNDING, CORRECT VOLTAGE AND ADEQUATE FUSE PROTECTION.</p>



Portable Air Compressor

HAZARD

RISK TO BREATHING



WHAT CAN HAPPEN	HOW TO PREVENT IT
<p>THE COMPRESSED AIR DIRECTLY FROM YOUR COMPRESSOR IS NOT SAFE FOR BREATHING. THE AIR STREAM MAY CONTAIN CARBON MONOXIDE, TOXIC VAPORS, OR SOLID PARTICLES FROM THE TANK. BREATHING THESE CONTAMINANTS CAN CAUSE SERIOUS INJURY OR DEATH.</p> <p>SPRAYED MATERIALS SUCH AS PAINT, PAINT SOLVENTS, PAINT REMOVER, INSECTICIDES, AND WEED KILLERS, MAY CONTAIN HARMFUL VAPORS AND POISONS.</p>	<p>AIR OBTAINED DIRECTLY FROM THE COMPRESSOR SHOULD NEVER BE USED TO SUPPLY AIR FOR HUMAN CONSUMPTION. IN ORDER TO USE AIR PRODUCED BY THIS COMPRESSOR FOR BREATHING, SUITABLE FILTERS AND IN-LINE SAFETY EQUIPMENT MUST BE PROPERLY INSTALLED. IN-LINE FILTERS AND SAFETY EQUIPMENT USED IN CONJUNCTION WITH THE COMPRESSOR MUST BE CAPABLE OF TREATING AIR TO ALL APPLICABLE LOCAL AND FEDERAL CODES PRIOR TO HUMAN CONSUMPTION.</p> <p>WORK IN AN AREA WITH GOOD CROSS-VENTILATION. READ AND FOLLOW THE SAFETY INSTRUCTIONS PROVIDED ON THE LABEL OR SAFETY DATA SHEETS FOR THE MATERIAL YOU ARE SPRAYING. USE A NIOSH/MSHA APPROVED RESPIRATOR DESIGNED FOR USE WITH YOUR SPECIFIC APPLICATION.</p>

HAZARD

RISK OF BURNS



WHAT CAN HAPPEN	HOW TO PREVENT IT
<p>TOUCHING EXPOSED METAL, SUCH AS THE COMPRESSOR HEAD OR OUTLET TUBES, CAN RESULT IN SERIOUS BURNS.</p>	<p>NEVER TOUCH ANY EXPOSED METAL PARTS ON COMPRESSOR DURING OR IMMEDIATELY AFTER OPERATION. COMPRESSOR WILL REMAIN HOT FOR SEVERAL MINUTES AFTER OPERATION. DO NOT REACH AROUND PROTECTIVE SHROUDS OR ATTEMPT MAINTENANCE UNTIL UNIT HAS BEEN ALLOWED TO COOL.</p>



Portable Air Compressor

HAZARD

RISK FROM MOVING PARTS



WHAT CAN HAPPEN	HOW TO PREVENT IT
<p>MOVING PARTS SUCH AS THE PULLEY, FLYWHEEL AND BELT CAN CAUSE SERIOUS INJURY IF THEY COME INTO CONTACT WITH YOU OR YOUR CLOTHING.</p> <p>ATTEMPTING TO OPERATE COMPRESSOR WITH DAMAGED OR MISSING PARTS OR ATTEMPTING TO REPAIR COMPRESSOR WITH PROTECTIVE SHROUDS REMOVED CAN EXPOSE YOU TO MOVING PARTS AND CAN RESULT IN SERIOUS INJURY.</p>	<p>NEVER OPERATE THE COMPRESSOR WITH GUARDS OR COVERS WHICH ARE DAMAGED OR REMOVED.</p> <p>ANY REPAIRS REQUIRED ON THIS PRODUCT SHOULD BE PERFORMED BY AUTHORIZED SERVICE CENTER PERSONNEL.</p>

HAZARD

RISK OF FALLING



WHAT CAN HAPPEN	HOW TO PREVENT IT
<p>A PORTABLE COMPRESSOR CAN FALL FROM A TABLE, WORKBENCH OR ROOF CAUSING DAMAGE TO THE COMPRESSOR AND COULD RESULT IN SERIOUS INJURY OR DEATH TO THE OPERATOR.</p>	<p>ALWAYS OPERATE COMPRESSOR IN A STABLE SECURE POSITION TO PREVENT ACCIDENTAL MOVEMENT OF THE UNIT. NEVER OPERATE COMPRESSOR ON A ROOF OR OTHER ELEVATED POSITION. USE ADDITIONAL AIR HOSE TO REACH HIGH LOCATIONS.</p>

HAZARD

RISK OF PROPERTY DAMAGE WHEN TRANSPORTING COMPRESSOR

(Fire, Inhalation, Damage to Vehicle Surfaces)



WHAT CAN HAPPEN	HOW TO PREVENT IT
<p>OIL CAN LEAK OR SPILL CAUSING FIRE OR BREATHING HAZARD. SERIOUS INJURY OR DEATH CAN RESULT. OIL LEAKS WILL DAMAGE CARPET, PAINT OR OTHER SURFACES IN VEHICLES OR TRAILERS.</p>	<p>ALWAYS PLACE COMPRESSOR ON A PROTECTIVE MAT WHEN TRANSPORTING TO PROTECT AGAINST DAMAGE TO VEHICLE FROM LEAKS. REMOVE COMPRESSOR FROM VEHICLE IMMEDIATELY UPON ARRIVAL AT YOUR DESTINATION.</p>



Portable Air Compressor

HAZARD

RISK OF UNSAFE OPERATION



WHAT CAN HAPPEN	HOW TO PREVENT IT
<p>UNSAFE OPERATION OF YOUR AIR COMPRESSOR COULD LEAD TO SERIOUS INJURY OR DEATH TO YOU OR OTHERS.</p>	<p>REVIEW AND UNDERSTAND ALL INSTRUCTIONS AND WARNINGS IN THIS MANUAL.</p> <p>BECOME FAMILIAR WITH THE OPERATION AND CONTROLS OF THE AIR COMPRESSOR.</p> <p>KEEP OPERATING AREA CLEAR OF ALL PERSONS, PETS, AND OBSTACLES.</p> <p>KEEP CHILDREN AWAY FROM THE AIR COMPRESSOR AT ALL TIMES.</p> <p>DO NOT OPERATE THE PRODUCT WHEN FATIGUED OR UNDER THE INFLUENCE OF ALCOHOL OR DRUGS. STAY ALERT AT ALL TIMES.</p> <p>NEVER DEFEAT THE SAFETY FEATURES OF THIS PRODUCT.</p> <p>EQUIP AREA OF OPERATION WITH A FIRE EXTINGUISHER.</p> <p>DO NOT OPERATE MACHINE WITH MISSING, BROKEN, OR UNAUTHORIZED PARTS.</p>



Portable Air Compressor

Installation

LOCATION OF THE AIR COMPRESSOR

Locate the air compressor in a clean, dry and well ventilated area. The air compressor should be located at least 12" away from the wall or other obstructions that will interfere with the flow of air. The air compressor pump and shroud are designed to allow for proper cooling. The ventilation openings on the compressor are necessary to maintain proper operating temperature. Do not place rags or other containers on or near these openings.

GROUNDING INSTRUCTIONS

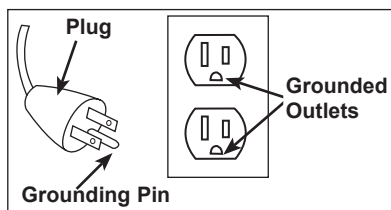
⚠ WARNING RISK OF ELECTRICAL SHOCK. *In the event of a short circuit, grounding reduces the risk of shock by providing an escape wire for the electric current. This air compressor must be properly grounded.*

The portable air compressor is equipped with a cord having a grounding wire with an appropriate grounding plug (see following illustrations). The plug must be used with an outlet that has been installed and grounded in accordance with all local codes and ordinances.

1. The cord set and plug with this unit contains a grounding pin. This plug **MUST** be used with a grounded outlet.

IMPORTANT: The outlet being used must be installed and grounded in accordance with all local codes and ordinances.

2. Make sure the outlet being used has the same configuration as the grounded plug. **DO NOT USE AN ADAPTER.** See illustration.



3. Inspect the plug and cord before each use. Do not use if there are signs of damage.
4. If these grounding instructions are not completely understood, or if in doubt as to whether the compressor is properly grounded, have the installation checked by a qualified electrician.

⚠ WARNING IMPROPER GROUNDING CAN RESULT IN ELECTRICAL SHOCK. *Do not modify the plug provided. If it does not fit the available outlet, a correct outlet should be installed by a qualified electrician. Repairs to the cord set or plug **MUST** be made by a qualified electrician.*



Portable Air Compressor

EXTENSION CORDS

Use extra air hose instead of an extension cord to avoid voltage drop and power loss to the motor, and to prevent overheating.

If an extension cord must be used, be sure it is:

- a 3-wire extension cord that has a 3-blade grounding plug, and a 3-slot receptacle that will accept the plug on the product
- in good condition
- no longer than 50 feet
- 12 gauge (AWG) or larger. (Wire size increases as gauge number decreases. 10 AWG and 8 AWG may also be used. DO NOT USE 14 OR 16 AWG.)

VOLTAGE AND CIRCUIT PROTECTION

Refer to the specifications for the voltage and minimum branch circuit requirements.

Certain air compressors can be operated on a 15 amp circuit if the following conditions are met.

1. Voltage supply through branch circuit is 15 amps.
2. Circuit is not used to supply any other electrical needs (lights, appliances, etc.).
3. Extension cords comply with specifications.
4. Circuit is equipped with a 15 amp circuit breaker or 15 amp time delay fuse. **NOTE:** If compressor is connected to a circuit protected by fuses, use only time delay fuses. Time delay fuses should be marked "D" in Canada and "T" in the US.

If any of the above conditions cannot be met, or if operation of the compressor repeatedly causes interruption of the power, it may be necessary to operate it from a 20 amp circuit. It is not necessary to change the cord set.

Operation

KNOW YOUR AIR COMPRESSOR

READ THIS OWNER'S MANUAL AND SAFETY RULES BEFORE OPERATING YOUR UNIT. Compare the illustrations with your unit to familiarize yourself with the location of various controls and adjustments. Save this manual for future reference.

DESCRIPTION OF OPERATION

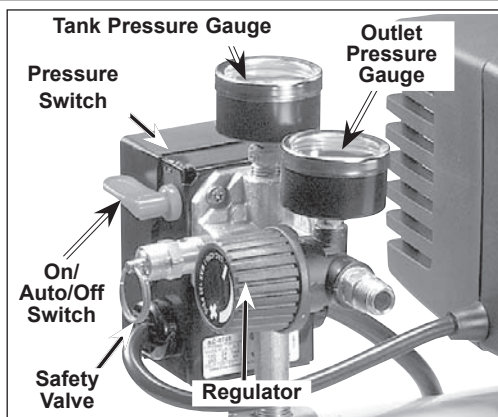
Become familiar with these controls before operating the unit.

On/Auto/Off Switch: Turn this switch ON to provide automatic power to the pressure switch and OFF to remove power at the end of each use.

Pressure Switch: The pressure switch automatically starts the motor when the air tank pressure drops below the factory set "cut-in" pressure. It stops the motor when the air tank pressure reaches the factory set "cut-out" pressure.

Safety Valve: If the pressure switch does not shut off the air compressor at its "cut-out" pressure setting, the safety valve will protect against high pressure by "popping out" at its factory set pressure (slightly higher than the pressure switch "cut-out" setting).

WESTWARD® Portable Air Compressor



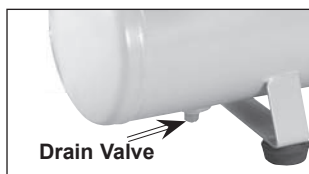
Description of Operation (continued)

Outlet Pressure Gauge: The outlet pressure gauge indicates the air pressure available at the outlet side of the regulator. This pressure is controlled by the regulator and is always less than or equal to the tank pressure.

Tank Pressure Gauge: The tank pressure gauge indicates the reserve air pressure in the tank.

Regulator: Controls the air pressure shown on the outlet pressure gauge. Turn the knob clockwise to increase pressure and counterclockwise to decrease pressure.

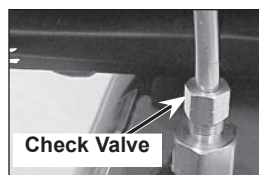
Drain Valve: The drain valve is located at the base of the air tank and is used to drain condensation at the end of each use.



Cooling System (not shown): This compressor contains an advanced design cooling system. At the heart of this cooling system is an engineered fan. It is perfectly normal for this fan to blow air through the vent holes in large amounts. You know that the cooling system is working when air is being expelled.

Air Compressor Pump (not shown): Compresses air into the air tank. Working air is not available until the compressor has raised the air tank pressure above that required at the air outlet.

Check Valve: When the air compressor is operating, the check valve is "open", allowing compressed air to enter the air tank. When the air compressor reaches "cut-out" pressure, the check valve "closes", allowing air pressure to remain inside the air tank.





Portable Air Compressor

HOW TO STOP

1. Set the On/Auto/Off lever to "OFF".

BEFORE FIRST START-UP

⚠ WARNING *Serious damage may result if the following break-in instructions are not closely followed.*

This procedure is required **before** the air compressor is put into service and when the check valve or a complete compressor pump has been replaced.

1. Make sure the On/Auto/Off lever is in the "OFF" position.

NOTE: Pull coupler back until it clicks to prevent air from escaping through the quick connect.

2. Plug the power cord into the correct branch circuit receptacle. (Refer to Voltage and Circuit Protection paragraph in the Installation section of this manual.)
3. Open the drain valve fully (counter-clockwise) to permit air to escape and prevent air pressure build up in the air tank during the break-in period.

NOTE: Always drain tank on a washable surface or in a suitable container to prevent damaging or staining surfaces.

4. Move the On/Auto/Off lever to "ON/AUTO" position. The compressor will start.
5. Run the compressor for 15 minutes. Make sure the drain valve is open and there is minimal air pressure build-up in tank.
6. After 15 minutes, close the drain valve (clockwise). The air receiver will fill to "cut-out" pressure and the motor will stop.

The compressor is now ready for use.

BEFORE EACH START-UP

1. Place On/Auto/Off lever to "OFF".
2. Turn the regulator knob counterclockwise to set the outlet pressure to zero.
3. Attach hose and accessories.
NOTE: The hose or accessory will require a quick connect plug if the air outlet is equipped with a quick connect socket.

⚠ WARNING *Too much air pressure causes a hazardous risk of bursting. Check the manufacturer's maximum pressure rating for air tools and accessories. The regulator outlet pressure must never exceed the maximum pressure rating.*

HOW TO START

1. Turn the On/Auto/Off lever to "AUTO" and allow tank pressure to build. Motor will stop when tank pressure reaches "cut-out" pressure.
2. Turn regulator knob clockwise to increase pressure and stop when desired pressure is reached.

NOTE: Always operate the air compressor in well-ventilated areas free of gasoline or other combustible vapors. If the compressor is being used to operate a sprayer DO NOT place near the spray area.



Portable Air Compressor

Maintenance

CUSTOMER RESPONSIBILITIES

	Before each use	Daily or after each use
Check Safety Valve	●	
Drain Tank		●

⚠ CAUTION *Unit cycles automatically when power is on. When performing maintenance, you may be exposed to voltage sources, compressed air, or moving parts. Personal injuries can occur. Before performing any maintenance or repair, disconnect power source from the compressor and bleed off all air pressure.*

NOTE: See "Operation" section for the location of controls.

TO CHECK SAFETY VALVE

⚠ WARNING *If the safety valve does not work properly, over-pressurization may occur, causing air tank rupture or an explosion.*

1. Before starting compressor, pull the ring on the safety valve to make sure that the safety valve operates freely. If the valve is stuck or does not operate smoothly, it must be replaced with the same type of valve.

TO DRAIN TANK

1. Set the On/Auto/Off lever to "OFF".
2. Turn the regulator knob counterclockwise to set the outlet pressure to zero.
3. Remove the air tool or accessory.
4. Pull ring on safety valve allowing air to bleed from the tank until tank pressure is approximately 20 psi. Release safety valve ring.
5. Drain water from air tank by opening drain valve (counterclockwise) on bottom of tank.

⚠ WARNING *Water will condense in the air tank. If not drained, water will corrode and weaken the air tank causing a risk of air tank rupture.*

6. After the water has been drained, close the drain valve. The air compressor can now be stored.

NOTE: If drain valve is plugged in, release all air pressure. The valve can then be removed, cleaned, and reinstalled.



Portable Air Compressor

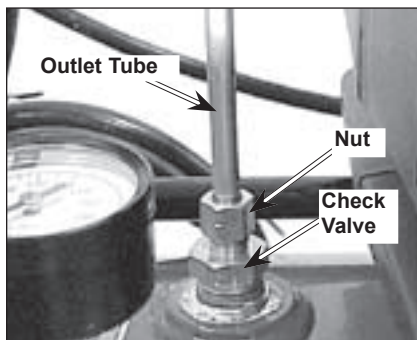
Service and Adjustments

⚠ WARNING *Unit cycles automatically when power is on. When doing maintenance, you may be exposed to voltage sources, compressed air or moving parts. Personal injuries can occur. Before performing any maintenance or repair, unplug the compressor and bleed off all air pressure.*

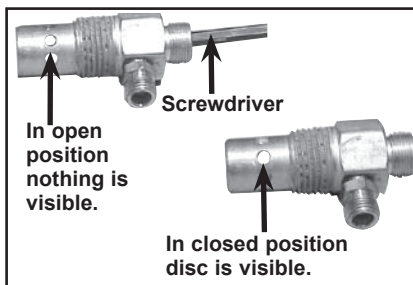
ALL MAINTENANCE AND REPAIR OPERATIONS NOT LISTED MUST BE PERFORMED BY A TRAINED SERVICE TECHNICIAN.

TO REPLACE OR CLEAN CHECK VALVE

1. Release all air pressure from air tank. See "To Drain Tank" in the Maintenance section.
2. Unplug unit.
3. Loosen the nut on the outlet tube and move the outlet tube to the side.
4. Unscrew the check valve (turn counterclockwise) using a socket wrench.



5. Make sure the valve disc moves freely inside the check valve and the spring holds the disc in the upper, closed position. The check valve may be cleaned with a solvent, such as paint and varnish remover.



6. Apply sealant to the check valve threads. Reinstall the check valve (turn clockwise).
7. Replace the outlet tube and tighten the nut.
8. Perform the Break-in Procedure. See "Break-in Procedure" in the Operation section.

TO REPLACE REGULATOR

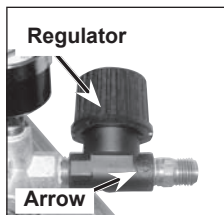
1. Release all air pressure from air tank. See "To Drain Tank" in the Maintenance section.
2. Unplug unit.
3. Using an adjustable wrench remove the gauges and quick connect from the regulator.
4. Remove the regulator.
5. Apply pipe sealant tape to the nipple on the standpipe.
6. Assemble the regulator and orient as shown.



Portable Air Compressor

To Replace Regulator (continued)

NOTE: Arrow indicates flow of air. Make sure it is pointing in the direction of air flow.



7. Reapply pipe sealant to gauges and quick connect.
8. Reassemble gauges and quick connect. Orient gauges to read correctly. Tighten quick connect with wrench.

Storage

⚠ WARNING *Water will condense in the air tank. If not drained, water will corrode and weaken the air tank causing a risk of air tank rupture.*

Before you store the air compressor, make sure you do the following:

1. Review the "Maintenance" section on the preceding pages and perform scheduled maintenance as necessary.

2. Set the On/Auto/Off lever to "OFF".
3. Turn the regulator counterclockwise and set the outlet pressure to zero.
4. Remove the air tool or accessory.
5. Pull ring on safety valve allowing air to bleed from the tank until tank pressure is approximately 20 psi. Release safety valve ring.
6. Drain water from air tank by opening drain valve on bottom of tank.
7. After the water has been drained, close the drain or drain valve.

NOTE: If drain valve is plugged, release all air pressure. The valve can then be removed, cleaned, and reinstalled.

8. Protect the electrical cord and air hose from damage (such as being stepped on or run over). Wind them loosely around the compressor handle. (If so equipped)

Store the air compressor in a clean and dry location.



Portable Air Compressor

⚠ WARNING *Voltage sources, moving parts, or compressed air sources are exposed when repairing the compressor. Personal injury can occur. Unplug the compressor before attempting any repairs.*

Troubleshooting Chart

Symptom (s)	Possible Causes (s)	Corrective Actions (s)
Excessive tank pressure - safety valve pops off.	1. Pressure switch does not shut off motor when compressor reaches "cut-out" pressure.	1. Move On/Auto/Off lever to the "OFF" position. If the outfit does not shut off contact a trained service technician.
	2. Pressure switch "cut-out" too high.	2. Contact a trained service technician.
Air leaks at fittings.	1. Tube fittings are not tight enough.	1. Tighten fittings where air can be heard escaping. Check fittings with soapy water solution. Do Not Overtighten.
Air leaks in air tank or at air tank welds.	1. Defective air tank.	1. Air tank must be replaced. Do not repair the leak. ⚠ WARNING <i>Do not drill into, weld or otherwise modify air tank or it will weaken. The tank can rupture or explode.</i>
Air leaks between head and valve plate.	1. Leaking seal.	1. Contact a trained service technician.
Air leak from safety valve.	1. Possible defect in safety valve.	1. Operate safety valve manually by pulling on ring. If valve still leaks, it should be replaced.
Knocking Noise.	1. Possible defect in safety valve.	1. Operate safety valve manually by pulling on ring. If valve still leaks, it should be replaced.



Portable Air Compressor

Symptom (s)	Possible Causes (s)	Corrective Actions (s)
Pressure reading on the regulated pressure gauge drops when an accessory is used.	1. It is normal for "some" pressure drop to occur.	1. If there is an excessive amount of pressure drop when the accessory is used, adjust the regulator following the instructions in the "Description of Operation" paragraph in the "Operation Section."
		NOTE: Adjust the regulated pressure under flow conditions (while accessory is being used).
Compressor is not supplying enough air to operate accessories.	1. Prolonged excessive use of air. 2. Compressor is not large enough for air requirement. 3. Hole in hose. 4. Check valve restricted. 5. Air leaks.	1. Decrease amount of air usage. 2. Check the accessory air requirement. If it is higher than the SCFM or pressure supplied by your air compressor, you need a larger compressor. 3. Check and replace if required. 4. Remove and clean, or replace. 5. Tighten fittings.
Regulator knob has continuous air leak.	1. Damaged regulator	1. Replace
Regulator will not shut off air outlet.	1. Damaged regulator	1. Replace



Portable Air Compressor

Symptom (s)	Possible Causes (s)	Corrective Actions (s)
Motor will not run.	<ol style="list-style-type: none"> Fuse blown, circuit breaker tripped. Extension cord is wrong length or gauge. Loose electrical connections. Faulty motor. 	<ol style="list-style-type: none"> <ol style="list-style-type: none"> Check fuse box for blown fuse and replace as necessary. Reset circuit breaker. Do not use a fuse or circuit breaker with higher rating than that specified for your particular branch circuit. Check for proper fuse. You should use a time delay fuse. Check for low voltage problem. Check the extension cord. Disconnect the other electrical appliances from circuit or operate the compressor on its own branch circuit. Check the extension cord. Check wiring connection inside terminal box. Have checked by a trained service technician.



Portable Air Compressor

LIMITED WARRANTY

WESTWARD ONE-YEAR LIMITED WARRANTY. Westward Air Compressors, Models covered in this manual, are warranted by Westward to the original user against defects in workmanship or materials under normal use for one year after date of purchase. Any part which is determined to be defective in material or workmanship and returned to an authorized service location, as Westward designates, shipping costs prepaid, will be, as the exclusive remedy, repaired or replaced at Westward's option. For limited warranty claim procedures, see PROMPT DISPOSITION below. This limited warranty gives purchasers specific legal rights, which vary from jurisdiction to jurisdiction.

LIMITATION OF LIABILITY. To the extent allowable under applicable law, Westward's liability for consequential and incidental damages is expressly disclaimed. Westward's liability in all events is limited to and shall not exceed the purchase price paid.

WARRANTY DISCLAIMER. Westward has made a diligent effort to provide product information and illustrate the products in this literature accurately; however, such information and illustrations are for the sole purpose of identification, and do not express or imply a warranty that the products are MERCHANTABLE, or FIT FOR A PARTICULAR PURPOSE, or that the products will necessarily conform to the illustrations or descriptions. Except as provided below, no warranty or affirmation of fact, expressed or implied, other than as stated in the "LIMITED WARRANTY" above is made or authorized by Westward.

PRODUCT SUITABILITY. Many jurisdictions have codes and regulations governing sales, construction, installation, and/or use of products for certain purposes, which may vary from those in neighboring areas. While Westward attempts to assure that its products comply with such codes, it cannot guarantee compliance, and cannot be responsible for how the product is installed or used. Before purchase and use of a product, review the product applications, and all applicable national and local codes and regulations, and be sure that the product, installation, and use will comply with them.

Certain aspects of disclaimers are not applicable to consumer products; e.g., (a) some jurisdictions do not allow the exclusion or limitation of incidental or consequential damages, so the above limitation or exclusion may not apply to you; (b) also, some jurisdictions do not allow a limitation on how long an implied warranty lasts, consequently the above limitation may not apply to you; and (c) by law, during the period of the Limited Warranty, any implied warranties of implied merchantability or fitness for a particular purpose applicable to consumer products purchased by consumers, may not be excluded or otherwise disclaimed.

PROMPT DISPOSITION. Westward will make a good faith effort for prompt correction or other adjustment with respect to any product, which proves to be defective within limited warranty. For any product believed to be defective within limited warranty, first write or call dealer from whom the product was purchased. Dealer will give additional directions. If unable to solve satisfactorily, write to Westward at address below, giving dealer's name, address, date, and number of dealer's invoice, and describing the nature of the defect. Title and risk of loss pass to buyer on delivery to common carrier. If product was damaged in transit to you, file claim with carrier.

**Manufactured for Grainger International Inc.,
100 Grainger Parkway, Lake Forest, Illinois 60045 U.S.A.**



Portable Air Compressor

For Repair Parts, call 1-800-323-0620

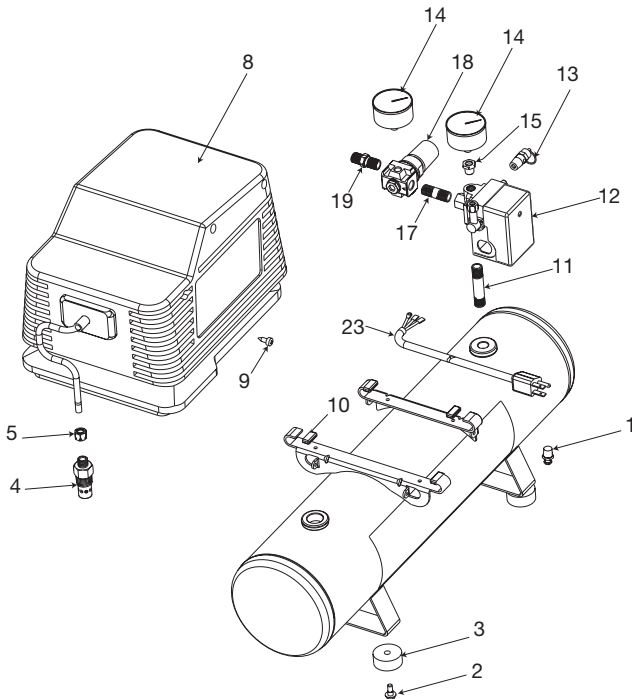
24 hours a day - 365 days a year

Please provide the following:

- Model Number
- Serial Number (if any)
- Part description and number as shown on parts list

Address parts correspondence to:

Grainger Parts
P.O. Box 3074
1657 Shermer Road
Northbrook, IL 60065-3074 U.S.A.





Portable Air Compressor

Repair Parts List

Key No	Description	Part Number	Qty.
1	Drain Valve	A06891	1
2	Screw 1/4 - 20 x .750	91895680	4
3	Recess Rubber Bumper	SST-5314-1	4
4	Check Valve	D24879	1
5	Nut Sleeve	SSP-473	1
8	Pump Assembly	-----	1
9	Screw 1/4 - 14 x .625	SSF-621	2
10	Pump Isolator	CAC-1254	4
11	Nipple 1/4-18 NPT x 2.50	SSP-480	1
12	Pressure Switch	Z-D27227	1
13	Safety Valve	D20114	1
14	Gauge 2"	Z-GA-373	2
15	Bushing Reducer 1/8-1/4NP	SSP-6021	1
17	Nipple 1/4-18 NPT x 1.5	SS-1286	1
18	Regulator	CAC-4296-1	1
19	Adapter 1/4 NPT x 1/4 NPSM	D26889	1
23	Cord Assembly	D26618	1

WESTWARD® Portable Air Compressor

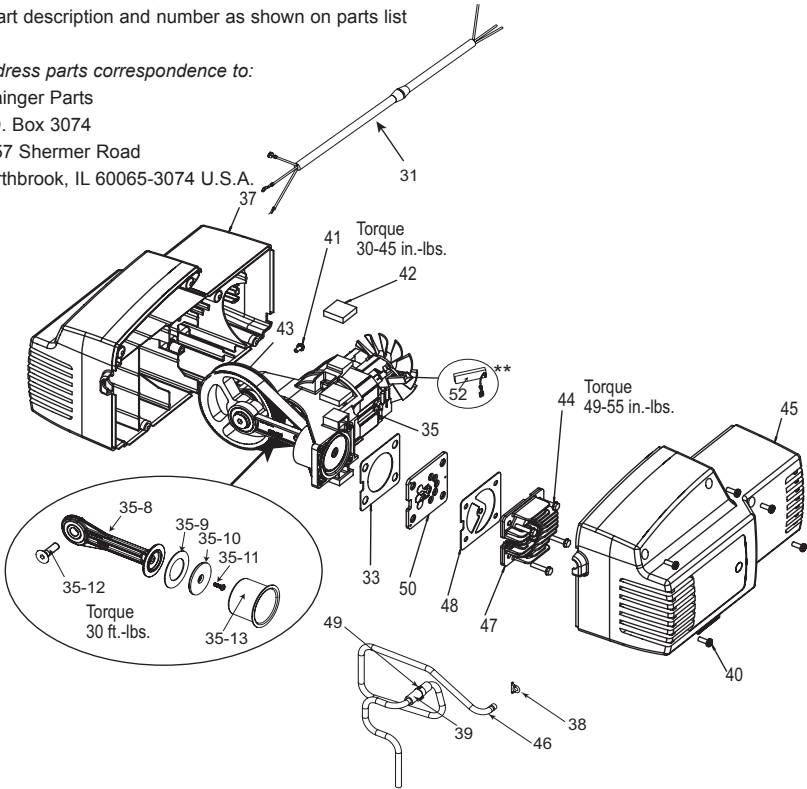
For Repair Parts, call 1-800-323-0620
24 hours a day - 365 days a year

Please provide the following:

- Model Number
- Serial Number (if any)
- Part description and number as shown on parts list

Address parts correspondence to:

Grainger Parts
 P.O. Box 3074
 1657 Shermer Road
 Northbrook, IL 60065-3074 U.S.A.



**** REPLACEMENT BRUSHES FOR MOTOR**

Motor number and vendor is stamped on motor stack. Both must be identified before ordering replacement brush. Motor part number for reference only. Motor not available for service.

Motor	Vendor	Brush Set
M0-9088	Northland	Z-D20041
D23494	GS Electric (Ametek)	Z-D23825
D29398	GS Electric (Ametek)	Z-D23825
D30106	GS Electric (Ametek)	Z-D23825
D27098	ECM (Gold Tuning)	Z-D27196



Portable Air Compressor

Repair Parts List

Key No	Description	Part Number	Qty.
31	Cord Assembly	A00766	1
33 ▲	Gasket	-----	1
35	Sub Pump Assembly	Z-A04615	1
35-8 ■	Connecting Rod Assembly	-----	1
35-9 +	Pre-Formed Compression Ring	-----	1
35-10 +	Connecting Rod Cap	-----	1
35-11 +	Screw #10-24	D21127	1
35-12 ●	Screw 3/8-16 UNC	SSF-3147	1
35-13 + ■	Cylinder Sleeve	-----	1
37 ★	Shroud (left)	-----	1
38 ▲	Tube Seal	CAC-1212	1
39	Tube Isolator	AC-0206	1
40 ●	Shroud Screws 10-14 x .750	D29132	5
41 ●	Screw 8-32 x .375/.344	SUDL-9-1	1
42	Pump Isolator	D25731	5
43	Timing Belt	AC-0815	1
44 ●	Screws 10-24 x 7/8	SSF-995	4
45 ★	Shroud (right)	-----	1
46	Outlet Tube	DAC-269	1
47	Head	D25877	1
48 ▲	Head Gasket	Z-D24819	1
49	Clamp Hose	CAC-1206-1	1
50	Valve Plate Assembly	Z-A08548	1
52 **	Motor Brush Replacement (Set of 2)	-----	1

Not Illustrated

★	Left/Right Shroud Kit	A06436
▲	Gasket and Seal Kit	D30139
●	Fastener Kit	KK-4929
■	Connecting Rod Kit	KK-4964
+	Ring Replacement Kit	D30324
	Operators Manual	A08588



Portable Air Compressor

Sírvase leer y conservar estas instrucciones. Lea completa y atentamente este manual del propietario antes de utilizar este producto. Protéjase y a los demás observando todas la información relacionada con la seguridad, advertencias y precauciones. La desatención al cumplimiento de todas las instrucciones podrá ocasionar lesiones personales y/o daños al producto o a la propiedad. Sírvase retener las instrucciones para futuras referencias.



Compresor portátil de aire

Descripción

Compresor de aire, sin aceite, para uso doméstico con corriente de servicio 50/50 ciclos. El compresor de 3 galones de aire, está diseñado para su durabilidad y bajo mantenimiento. Incluye válvula de retención, interruptor de presión, válvula de seguridad, manómetros, regulador manguera y pico para inflado de cubiertas.

Desembalaje

Tome de su manija y levante el compresor de aire fuera de su caja. Extraiga todo el embalaje del compresor y descártelo. Conserve toda su literatura.

Una vez desembalada la unidad, inspecciónela cuidadosamente por cualquier daño que pudiese haber ocurrido durante su transporte. Verifique la existencia de faltantes o piezas dañadas. Reclamos por daños de envío deberán ser completados con el transportador.



Especificaciones

Modelo	Presión máxima	Medida en galones	Corriente requerida	Voltios / Hertz / Fases	SCFM a 90 PSIG	SCFM a 90 PSIG
3JR70A	135	3	10 AMP	120/60/1	3.7	2.6

Dimensiones

Largo	Ancho	Alto	Peso
27.75"	10.50"	16"	32 lbs.



Compresor portátil de aire

Definiciones de normas de seguridad

Este manual contiene información que es importante que usted conozca y comprenda. Dicha información se relaciona con la protección de **SU SEGURIDAD y LA PREVENCIÓN DE PROBLEMAS A SU EQUIPO**. Para ayudarlo a reconocer dicha información, usamos los símbolos indicados más abajo. Sírvase leer el manual y prestar atención a dichas secciones.

⚠ PRECAUCIÓN Indica una situación potencialmente

peligrosa, la cual, si no es evitada, podría resultar en lesiones menores o moderadas.

⚠ ADVERTENCIA Indica una situación potencialmente

riesgosa, que si no es evitada, podría resultar en la muerte o lesiones serias.

⚠ PELIGRO Indica una situación de inminente riesgo, la cual, si no es evitada, causará la muerte o lesiones serias.

NOTA: Indica instrucciones especiales que resultan importantes pero no relacionadas con riesgos.

IMPORTANTE: Indica factores que conciernen al ensamblado, instalación, operación o al mantenimiento, lo cual podría ocasionar un daño a la máquina o al equipo, si fuesen ignorados.

Importantes instrucciones seguridad

⚠ ADVERTENCIA *Algunos tipos de aserrín creados por máquinas eléctricas de lijado, aserrado, amolado, perforado u otras actividades de la construcción, contienen materiales químicos conocidos (en el Estado de California) como causantes de cáncer, defectos de nacimiento u otros daños del aparato reproductivo. Algunos ejemplos de dichos productos químicos son:*

- *El plomo contenido en algunas pinturas con base de plomo*
- *Sílice cristalizado proveniente de los ladrillos, el cemento y otros productos de albañilería*
- *Arsénico y cromo provenientes del tratamiento químico dado a la madera*

Su riesgo a dichas exposiciones variará dependiendo de la frecuencia con la que usted realice diferentes tipos de trabajo. Para reducir su exposición a la acción de dichos agentes químicos:

- *trabaje en zonas bien ventiladas*
- *hágalo con equipo de seguridad aprobado*
- *use siempre protección facial o respirador MSHA / NIOSH aprobados que ajuste adecuadamente.*

Al utilizar herramientas neumáticas también deben tomarse precauciones básicas de seguridad, a fin de reducir la posibilidad de riesgo de lesiones personales.



Compresor portátil de aire



GUARDE ESTAS INSTRUCCIONES



LA OPERACIÓN O EL MANTENIMIENTO INADECUADOS DE ESTE PRODUCTO PODRÍAN OCASIONAR SERIAS LESIONES Y DAÑOS A LA PROPIEDAD. LEA Y COMPRENDA TODAS LAS ADVERTENCIAS E INSTRUCCIONES DE FUNCIONAMIENTO ANTES DE UTILIZAR ESTE EQUIPO.

PELIGRO

RIESGO DE EXPLOSIÓN O INCENDIO



¿QUÉ PUEDE OCURRIR?	¿CÓMO PREVENIRLO?
<p>PARA LOS CONTACTOS ELÉCTRICOS ES NORMAL LA EXISTENCIA DE CHISPAS ENTRE EL MOTOR Y EL INTERRUPTOR A PRESIÓN.</p> <p>SI LAS CHISPAS ELÉCTRICAS PROVENIENTES DEL COMPRESOR TOMARAN CONTACTO CON EMANACIONES DE MATERIALES INFLAMABLES, ELLOS PODRÍAN ARDER ORIGINANDO INCENDIO O EXPLOSIÓN.</p> <p>RESTRINGIR CUALQUIERA DE LAS ABERTURAS DE VENTILACIÓN CAUSARÁ UN SERIO RECALENTAMIENTO Y PODRÍA PRODUCIR UN INCENDIO.</p> <p>DEJAR DESATENDIDO ESTE PRODUCTO MIENTRAS EL MISMO ESTÁ EN FUNCIONAMIENTO PUEDE RESULTAR EN LESIONES PERSONALES O DAÑOS A LA PROPIEDAD. PARA REDUCIR EL RIESGO DE INCENDIO, NO PERMITA QUE EL COMPRESOR OPERE DESATENDIDO.</p>	<p>OPERE SIEMPRE EL COMPRESOR EN UN SECTOR BIEN VENTILADO Y LIBRE DE MATERIALES COMBUSTIBLES, GASOLINA O EMANACIONES DE SOLVENTE.</p> <p>EN UN ÁREA DE ROCIADO DE MATERIALES INFLAMABLES, UBIQUE AL COMPRESOR POR LO MENOS A 6,1M (20 PIES) DE DISTANCIA DEL ÁREA DE ROCIADO. PODRÍA REQUERIRSE UNA EXTENSIÓN DE LA MANGUERA.</p> <p>ALMACENE LOS MATERIALES INFLAMABLES EN UNA UBICACIÓN SEGURA, ALEJADOS DEL COMPRESOR.</p> <p>JAMÁS COLOQUE OBJETOS APOYADOS O SOBRE EL COMPRESOR. OPERE EL COMPRESOR EN UN SECTOR ABIERTO, POR LO MENOS A 30 CM (12 PULGADAS) ALEJADO DE CUALQUIER PARED U OBSTRUCCIÓN QUE RESTRINJA EL FLUJO DE AIRE FRESCO A LAS ABERTURAS DE VENTILACIÓN.</p> <p>OPERE EL COMPRESOR EN UN SECTOR LIMPIO, SECO, Y BIEN VENTILADO. NO OPERE LA UNIDAD EN ESPACIOS CERRADOS O CUALQUIER ÁREA CONFINADA.</p> <p>MANTÉNGASE SIEMPRE ALERTA CADA VEZ QUE EL PRODUCTO ESTE FUNCIONANDO.</p> <p>DESCONECTE SIEMPRE EL SUMINISTRO ELÉCTRICO MOVIENDO LA PALANCA CONMUTADORA DE PRESIÓN A LA POSICIÓN DE APAGADO (OFF) Y DRENE EL TANQUE DIARIAMENTE O DESPUÉS DE CADA USO.</p>



Compresor portátil de aire

PELIGRO

RIESGO DE EXPLOSIÓN



TANQUE DE AIRE: LAS SIGUIENTES CONDICIONES PODRÍAN CONDUCIR AL DEBILITAMIENTO DEL TANQUE, Y DETERMINAR LA VIOLENTA EXPLOSIÓN DEL MISMO, LO QUE PODRÍA SER CAUSA DE DAÑOS A LA PROPIEDAD O DE SERIAS LESIONES PERSONALES.

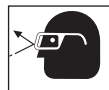
¿QUÉ PUEDE OCURRIR?	¿CÓMO PREVENIRLO?
<ol style="list-style-type: none"> 1. Drenaje inadecuado del agua condensada en el tanque, siendo la causa del óxido que reduce el espesor del tanque de acero. 2. Modificaciones o intento de reparaciones al tanque. 3. Modificaciones no autorizadas a la válvula de descarga, válvula de seguridad o cualquier otro componente que controle la presión del tanque. 4. La vibración excesiva puede debilitar el tanque de aire y causar su ruptura o explosión. 	<p>DRENE EL TANQUE DIARIAMENTE O DESPUÉS DE CADA USO. SI EL TANQUE GENERA UNA PÉRDIDA, REEMPLÁCELO INMEDIATAMENTE CON UN NUEVO TANQUE O REEMPLACE EL COMPRESOR COMPLETO.</p> <p>JAMÁS PERFORE, SUELDE, O EFECTÚE MODIFICACIÓN ALGUNA AL TANQUE O SUS ACCESORIOS.</p> <p>EL TANQUE ESTÁ DISEÑADO PARA RESISTIR PRESIONES OPERATIVAS ESPECÍFICAS. JAMÁS EFECTÚE AJUSTES O SUSTITUYA PARTES QUE ALTEREN LAS REGULACIONES DE PRESIÓN ORIGINALES DE FÁBRICA.</p> <p>PARA UN CONTROL ESENCIAL DE LA PRESIÓN, DEBE USTED INSTALAR UN REGULADOR Y UN MEDIDOR DE PRESIÓN A LA SALIDA DEL AIRE DE SU COMPRESOR. (SI NO ESTUVIESE EQUIPADO) SIGA LAS RECOMENDACIONES DE LOS FABRICANTES DE SU EQUIPO Y JAMÁS EXCEDA LOS VALORES MÁXIMOS DE PRESIÓN PERMITIDOS PARA LOS ACCESORIOS. JAMÁS USE EL COMPRESOR PARA INFLAR OBJETOS QUE REQUIEREN POCA O BAJA PRESIÓN, TALES COMO JUGUETES PARA LOS NIÑOS, PELOTAS DE FÚTBOL, PELOTAS DE BASQUET, ETC.</p>
<p><u>AGREGADOS Y ACCESORIOS</u> EL EXCESO A LOS VALORES DE PRESIÓN ESTABLECIDOS PARA LAS HERRAMIENTAS NEUMÁTICAS, PISTOLAS ROCIADORAS, ACCESORIOS ACTIVADOS POR AIRE, CUBIERTAS Y OTROS OBJETOS INFLABLES, PUEDE CAUSAR SU EXPLOSIÓN O SER ARROJADOS, PUDIENDO OCASIONAR SERIAS LESIONES.</p>	



Compresor portátil de aire

PELIGRO

RIESGO DE OBJETOS ARROJADOS POR EL AIRE.



¿QUÉ PUEDE OCURRIR?	¿CÓMO PREVENIRLO?
<p>EL CHORRO DE AIRE COMPRESIDO PUEDE CAUSAR DAÑOS SOBRE LOS TEJIDOS BLANDOS DE LA PIEL EXPUESTA, Y PUEDE PROPULSAR SUCIEDAD, ASTILLAS, PARTÍCULAS SUELTAS Y PEQUEÑOS OBJETOS A ALTA VELOCIDAD, OCASIONANDO DAÑOS A LA PROPIEDAD O LESIONES PERSONALES.</p>	<p>AL UTILIZAR EL COMPRESOR, USE SIEMPRE ANTEOJOS DE SEGURIDAD ANSI Z87.1 APROBADOS, CON PROTECCIÓN LATERAL.</p> <p>JAMÁS APUNTE NINGUNA BOQUILLA O PULVERIZADOR HACIA PARTES DEL CUERPO, A OTRAS PERSONAS O ANIMALES.</p> <p>APAGUE SIEMPRE EL COMPRESOR Y PURGUE LA PRESIÓN DE LA MANGUERA DEL AIRE Y DEL TANQUE, ANTES DE INTENTAR EL MANTENIMIENTO, EL ACOPLE DE HERRAMIENTAS O ACCESORIOS.</p>

PELIGRO

RIESGO DE DESCARGA ELÉCTRICA



¿QUÉ PUEDE OCURRIR?	¿CÓMO PREVENIRLO?
<p>SU COMPRESOR DE AIRE ESTÁ ACCIONADO POR ELECTRICIDAD. COMO CUALQUIER OTRO DISPOSITIVO ELÉCTRICO IMPULSADO ELÉCTRICAMENTE, SI NO SE LO UTILIZA ADECUADAMENTE, PODRÍA CAUSARLE UNA DESCARGA ELÉCTRICA.</p> <p>LAS REPARACIONES INTENTADAS POR PERSONAL NO CALIFICADO PODRÍAN OCASIONAR SERIAS LESIONES O LA MUERTE POR ELECTROCUCIÓN.</p> <p>CONEXIÓN A TIERRA: DEJAR DE PROVEER UNA ADECUADA CONEXIÓN A TIERRA A ESTE PRODUCTO PODRÍA OCASIONAR LESIONES SERIAS O LA MUERTE POR ELECTROCUCIÓN. VER INSTRUCCIONES PARA LA PUESTA A TIERRA.</p>	<p>JAMÁS OPERE EL COMPRESOR A LA INTEMPERIE, CUANDO ESTÉ LLOVIENDO NI EN CONDICIONES HÚMEDAS.</p> <p>JAMÁS OPERE EL COMPRESOR SIN SUS CUBIERTAS PROTECTORAS O DAÑADAS.</p> <p>CUALQUIER CIRCUITO ELÉCTRICO O REPARACIONES REQUERIDAS PARA ESTE PRODUCTO DEBERÁN SER EJECUTADAS POR PERSONAL AUTORIZADO DE SERVICIO CENTRAL, DE ACUERDO A LOS CÓDIGOS ELÉCTRICOS NACIONAL Y LOCAL.</p> <p>ASEGÚRESE DE QUE EL CIRCUITO ELÉCTRICO AL CUAL SERÁ CONECTADO EL COMPRESOR ESTÉ EN CONDICIONES DE SUMINISTRAR UNA CONEXIÓN A TIERRA, VOLTAJE Y PROTECCIÓN DE FUSIBLE ADECUADOS.</p>



Compresor portátil de aire

PELIGRO

RIESGO DE INHALACIÓN



¿QUÉ PUEDE OCURRIR?	¿CÓMO PREVENIRLO?
<p>EL AIRE COMPRIMIDO PROVENIENTE DEL COMPRESOR NO ES SANO PARA RESPIRAR. EL CHORRO DE AIRE PUEDE CONTENER MONÓXIDO DE CARBONO, VAPORES TÓXICOS O PARTÍCULAS SÓLIDAS PROVENIENTES DEL TANQUE. LA INHALACIÓN DE DICHS CONTAMINANTES PUEDE LLEGAR A CAUSAR SERIAS LESIONES O LA MUERTE.</p>	<p>EL AIRE OBTENIDO DIRECTAMENTE DEL COMPRESOR JAMÁS DEBERÁ SER UTILIZADO PARA PROVEER AIRE PARA CONSUMO HUMANO. PARA PODER UTILIZAR EL AIRE PRODUCIDO POR ESTE COMPRESOR Y HACERLO RESPIRABLE, DEBERÁN INSTALARSE UN FILTRO ADECUADO Y UN EQUIPO DE SEGURIDAD INTERCALADO. LOS FILTROS INTERCALADOS TANTO COMO EL EQUIPO DE SEGURIDAD UTILIZADO EN CONJUNTO CON EL COMPRESOR, DEBERÁN SER CAPACES DE PROCESAR EL TRATAMIENTO DEL AIRE DE ACUERDO A TODOS LOS CÓDIGOS LOCALES Y FEDERALES, PREVIO AL CONSUMO HUMANO.</p>
<p>EL ROCIADO DE MATERIALES TALES COMO PINTURA, SOLVENTES, REMOVEDORES DE PINTURA, INSECTICIDAS, MATA HIERBAS, CONTIENEN EMANACIONES DAÑINAS Y VENENOSAS.</p>	<p>TRABAJE EN UN ÁREA CON BUENA VENTILACIÓN CRUZADA. LEA Y SIGA LAS INSTRUCCIONES DE SEGURIDAD PROVISTAS EN EL RÓTULO O EN LOS DATOS DE LAS HOJAS DE SEGURIDAD DEL MATERIAL QUE ESTÁ PULVERIZANDO. USE EL RESPIRADOR APROBADO NIOSH/MSHA DESIGNADO PARA UTILIZARSE CON SU APLICACIÓN ESPECÍFICA.</p>

PELIGRO

RIESGO DE QUEMADURAS



¿QUÉ PUEDE OCURRIR?	¿CÓMO PREVENIRLO?
<p>TOCAR EL METAL EXPUESTO TAL COMO EL CABEZAL DEL COMPRESOR O LOS TUBOS DE SALIDA DEL ESCAPE, PUEDE OCASIONARLE SERIAS QUEMADURAS.</p>	<p>JAMÁS TOQUE PARTES DE METAL EXPUESTAS EN EL COMPRESOR DURANTE O INMEDIATAMENTE DESPUÉS DE LA OPERACIÓN. EL COMPRESOR PERMANECERÁ CALIENTE POR VARIOS MINUTOS LUEGO DE LA OPERACIÓN.</p> <p>NO LO CUBRA CON FUNDAS PROTECTORAS O INTENTE EL MANTENIMIENTO HASTA QUE LA UNIDAD HAYA ALCANZADO SU ENFRIAMIENTO.</p>



Portable Air Compressor

PELIGRO

RIESGO DE PARTES MÓVILES



¿QUÉ PUEDE OCURRIR?	¿CÓMO PREVENIRLO?
<p>PARTES MOVIBLES TALES COMO LA POLEA, EL VOLANTE Y LA CORREA PODRÍAN SER LA CAUSA DE SERIAS LESIONES SI ELLAS ENTRARAN EN CONTACTO CON USTED O SUS ROPAS.</p> <p>INTENTAR OPERAR EL COMPRESOR CON SUS PARTES DAÑADAS O FALTANTES, O LA REPARACIÓN DEL COMPRESOR CON SUS PROTECCIONES REMOVIDAS, PUEDE EXPONERLO A USTED A PARTES MOVIBLES, QUE PODRÍAN RESULTAR EN LESIONES SERIAS.</p>	<p>NUNCA OPERE EL COMPRESOR SIN SUS DEFENSAS O SUS CUBIERTAS REMOVIDAS O DAÑADAS.</p> <p>CUALQUIER REPARACIÓN REQUERIDA POR ESTE PRODUCTO DEBE SER EFECTUADA POR PERSONAL AUTORIZADO DE LOS SERVICENTROS.</p>

PELIGRO

RIESGO DE CAIDA



¿QUÉ PUEDE OCURRIR?	¿CÓMO PREVENIRLO?
<p>UN COMPRESOR PORTÁTIL PUEDE CAERSE DE LA MESA, EL BANCO DE TRABAJO O DEL TECHO DAÑANDO AL COMPRESOR Y PUDIENDO RESULTAR EN SERIAS LESIONES O LA MUERTE DEL OPERADOR.</p>	<p>OPERE SIEMPRE EL COMPRESOR EN UNA POSICIÓN ESTABLE Y SEGURA A FIN DE PREVENIR EL MOVIMIENTO ACCIDENTAL DE LA UNIDAD. JAMÁS OPERE EL COMPRESOR SOBRE UN TECHO U OTRA POSICIÓN ELEVADA. UTILICE MANGUERAS ADICIONALES DE AIRE PARA ALCANZAR POSICIONES ALTAS.</p>

PELIGRO

RIESGO DE DAÑOS A LA PROPIEDAD AL TRANSPORTAR EL COMPRESOR

(Fuego, inhalación, daño a la superficie de vehículos)



¿QUÉ PUEDE OCURRIR?	¿CÓMO PREVENIRLO?
<p>EL ACEITE PUEDE DERRAMARSE Y ELLO PODRÍA RESULTAR EN SERIAS LESIONES O LA MUERTE DEBIDO AL RIESGO DE INCENDIO O INHALACIÓN. EL DERRAME DE ACEITE DAÑA ALFOMBRAS, PINTURAS U OTRAS SUPERFICIES DE VEHÍCULOS O REMOLQUES.</p>	<p>DEPOSITE EL COMPRESOR SOBRE UNA ALFOMBRILLA PROTECTORA CUANDO LO TRANSPORTE. A FIN DE PROTEGER AL VEHÍCULO DE PÉRDIDAS POR GOTEO, RETIRE EL COMPRESOR DEL VEHÍCULO INMEDIATAMENTE DESPUÉS DE SU ARRIBO AL DESTINO.</p>



Compresor portátil de aire

PELIGRO

RIESGO DE OPERACIÓN INSEGURA



¿QUÉ PUEDE OCURRIR?	¿CÓMO PREVENIRLO?
<p>LA OPERACIÓN INSEGURA DE SU COMPRESOR DE AIRE PODRÍA OCASIONARLE SERIAS LESIONES O LA MUERTE A USTED U OTROS.</p>	<p>REVISE Y COMPRENDA TODAS LAS INSTRUCCIONES Y ADVERTENCIAS CONTENIDAS EN ESTE MANUAL.</p> <p>FAMILIARÍCESE CON LOS MÉTODOS DE OPERACIÓN Y CONTROL DEL COMPRESOR DE AIRE.</p> <p>MANTENGA LIBRE LA ZONA DE OPERACIONES DE PERSONA ALGUNA, ANIMALES DOMÉSTICOS Y OBSTÁCULOS.</p> <p>MANTENGA ALEJADOS A LOS NIÑOS DEL COMPRESOR DE AIRE EN TODO MOMENTO.</p> <p>NO OPERE EL PRODUCTO CUANDO SE ENCUENTRE FATIGADO O BAJO LA INFLUENCIA DEL ALCOHOL O DROGAS.</p> <p>ESTÉ ALERTA EN TODO MOMENTO.</p> <p>JAMÁS ALTERE LOS ELEMENTOS DE SEGURIDAD DE ESTE PRODUCTO.</p> <p>EQUIPE LA ZONA DE OPERACIONES CON UN EXTINGUIDOR DE FUEGO.</p> <p>NO OPERE LA MAQUINA SI ÉSTA TIENE PARTES FALTANTES, ROTAS O NO AUTORIZADAS.</p>



Compresor portátil de aire

Instalación

UBICACIÓN DEL COMPRESOR DE AIRE

Ubique al compresor de aire en una zona limpia, seca y bien ventilada. El compresor de aire debe estar instalado - por lo menos - a una distancia no menor de 30 cm (12") de la pared u otras obstrucciones que pudiesen interferir con el flujo del aire. La bomba del compresor de aire y su carcasa han sido diseñadas para permitir su enfriamiento adecuado. Las aberturas de ventilación del compresor resultan - entonces - necesarias para el mantenimiento de una adecuada temperatura de funcionamiento. No coloque géneros o contenedores, encima, ni en las proximidades de dichas aberturas.

INSTRUCCIONES PARA CONECTAR A TIERRA

⚠ ADVERTENCIA RIESGO DE DESCARGA

ELÉCTRICA. Ante la eventualidad de un cortocircuito, la conexión a tierra reduce el riesgo de electrocución proveyendo un conductor de escape para la corriente eléctrica. Este compresor de aire debe estar adecuadamente conectado a tierra.

El compresor portátil de aire está equipado con un cable que tiene un conductor destinado a tierra, con una espiga apropiada para su conexión (ver las siguientes ilustraciones). El enchufe debe ser utilizado con un toma corriente que haya sido instalado y conectado a tierra de acuerdo a todos los códigos y ordenanzas locales.

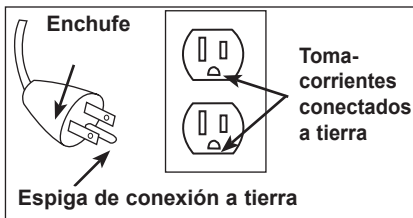
1. El cable que acompaña a esta unidad tiene una espiga para conexión a tierra. Esta DEBE ser utilizada con un tomacorriente conectado a tierra.

IMPORTANTE: El tomacorriente que será utilizado deberá haber sido conectado a tierra conforme a todos los códigos locales y ordenanzas.

2. Asegúrese de que el tomacorriente que será utilizado tenga la misma configuración que el enchufe de conexión a tierra. **NO UTILICE UN ADAPTADOR.** Ver figura.
3. Inspeccione el enchufe y su cordón antes de cada uso. No use si existieran signos de daños.
4. Si las instrucciones de conexión a tierra no fueran completamente comprendidas, o si se estuviera ante la duda acerca de que el compresor estuviese adecuadamente conectado a tierra, haga verificar la instalación por un electricista competente.

⚠ ADVERTENCIA LA CONEXIÓN INADECUADA

A TIERRA PUEDE DETERMINAR UNA DESCARGA ELÉCTRICA. No modifique el enchufe provisto. Si el mismo no penetrara el tomacorriente disponible, un electricista competente deberá instalar uno apropiado. La reparación del cable o del enchufe DEBERÁ ser efectuada por un electricista competente.





Compresor portátil de aire

CABLES DE EXTENSIÓN ELÉCTRICA

Use extensiones de manguera de aire antes que prolongaciones de cables eléctricos, a fin de prevenir caídas de tensión, pérdida de la potencia eléctrica al motor, y también su recalentamiento.

Si - no obstante - debe utilizarse una extensión de cable, asegúrese de que:

- La extensión eléctrica de 3 conductores, tenga un enchufe de conexión a tierra de 3 hojas, y que exista un receptáculo que acepte el enchufe del producto.
- Esté en buenas condiciones.
- No más largo que 15,2 m (50 pies)
- Calibre 12 (AWG) o mayor. (La medida de los cables se incrementa a medida que su número ordinal decrece. 10, y 8 AWG pueden ser usados también. NO USE 14 NI 16 AWG)

PROTECCIÓN DEL VOLTAJE Y DEL CIRCUITO

Acerca del voltaje y la mínima cantidad de circuitos requeridos, refiérase al cuadro de especificaciones. Ciertos compresores de aire pueden ser operados en un circuito de 15 A, siempre que se cumplan las siguientes condiciones:

1. Que el voltaje suministrado a través de los ramales del circuito sea de 15 A.
2. Que el circuito no sea utilizado para alimentar ninguna otra necesidad eléctrica (iluminación, artefactos, etc.)
3. Que los cables de extensión cumplan con las especificaciones.
4. Que el circuito esté equipado con un interruptor automático de 15 A, o un fusible de acción retardada de 15 A. NOTA: Si el compresor estuviese conectado a un circuito protegido con fusibles, utilice solamente los de acción retardada identificados como "D" en Canada y "T" en EE.UU.

Si cualquiera de las condiciones enumeradas no pudiese ser cumplida, o si el funcionamiento del compresor causara reiteradas interrupciones de la energía con la que se lo alimenta, podría ser necesario operar al mismo desde un circuito de 20 A. Para ello no será necesario cambiar su cable de alimentación.

Operación

CONOZCA SU COMPRESOR DE AIRE

LEA ESTE MANUAL DEL PROPIETARIO Y SUS NORMAS DE SEGURIDAD ANTES DE OPERAR LA UNIDAD. Compare las ilustraciones contra su unidad a fin de familiarizarse con la ubicación de los distintos controles y regulaciones. Conserve este manual para referencias futuras.

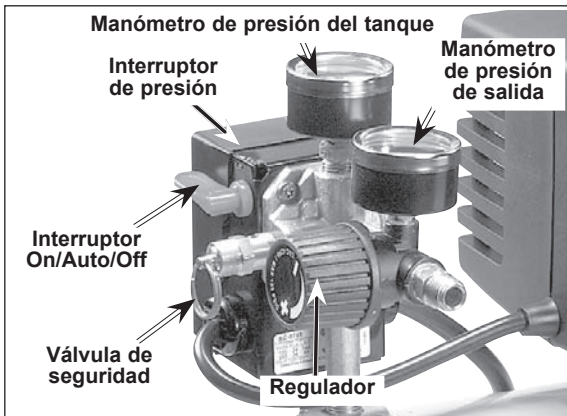
DESCRIPCIÓN DE OPERACIONES

Familiarícese con estos controles antes de operar la unidad.

Interruptor On/Auto/Off: Mueva este interruptor a la posición ON para dar contacto automático al interruptor de presión, y OFF para interrumpir la energía eléctrica al término del uso.

Interruptor de presión: El interruptor de presión permite el arranque automático del motor cuando la presión del tanque disminuye por debajo del valor de la presión de conexión regulada en fábrica. El motor se detendrá cuando la presión del tanque alcance los valores de presión de corte, regulado en fábrica para su desconexión.

Válvula de seguridad: Si el interruptor de presión dejara de cortar el suministro de presión del compresor conforme a los valores prefijados para la presión de corte, la válvula de seguridad protegerá contra la presión elevada, "saltando" de acuerdo a los valores prefijados en fábrica (ligeramente superiores a los de presión de corte de la llave interruptora.)

WESTWARD[®]**Compresor portátil de aire****Descripción de Operaciones (continuación)****Manómetro para controlar la presión de salida:**

Este manómetro indicará la presión de aire disponible a la salida del regulador. Esta presión está controlada por el regulador y es siempre menor o igual que la presión del tanque.

Manómetro de la presión del tanque: El manómetro que controla la presión del tanque indica la reserva de presión del tanque de aire.

Regulador: Controla la presión de aire indicada en la salida del medidor de presión. Gire la perilla del regulador en el sentido del reloj para aumentar la presión y contra el sentido del reloj para reducirla.

Válvula de drenaje: La válvula de drenaje se encuentra ubicada sobre la base del tanque de aire y se usa para drenar la condensación al fin de cada uso.

**Sistema de enfriamiento (no mostrado):**

Este compresor contiene un sistema de avanzada para el control de enfriamiento. En el núcleo de este sistema de enfriamiento hay un ventilador especialmente diseñado. Resulta perfectamente normal - para este ventilador - soplar aire en grandes cantidades a través de los orificios de ventilación. De tal manera se podrá saber que el sistema de enfriamiento trabaja cuando el aire está siendo expelido.

Bomba de compresión del aire (no mostrada): Comprime el aire dentro del tanque. El aire de trabajo no se encuentra disponible hasta que el compresor haya alcanzado a llenar el tanque hasta un nivel de presión por encima del requerido para la salida del aire.

Válvula reguladora: Cuando el compresor de aire se encuentra funcionando, la válvula reguladora está "abierta", permitiendo la entrada del aire comprimido al tanque de aire. Cuando el nivel de presión del tanque alcanza el punto de "corte", la válvula reguladora "se cierra", reteniendo la presión del aire dentro del tanque.





Compresor portátil de aire

CÓMO DETENERLO:

1. Coloque la posición de la llave interruptora On/Auto/Off en la posición "OFF".

ANTES DEL PRIMER ARRANQUE

▲ ADVERTENCIA *Si las siguientes instrucciones no fuesen seguidas estrictamente, podrán ocurrir serios daños.*

Este procedimiento es necesario **antes** de poner en servicio al compresor de aire, y cuando la válvula reguladora o la bomba completa del compresor haya sido reemplazada.

1. Asegúrese que la palanca On/Auto/Off esté en la posición "OFF".

NOTA: Tire del acoplamiento hacia atrás hasta percibir el "clic" que impide el escape del aire de la conexión rápida.

2. Enchufe el cable de alimentación en el receptáculo del ramal del circuito correcto. (Referirse al párrafo "Protección del voltaje y del circuito" en la sección "Instalación" de este manual).
3. Abra completamente la válvula de drenaje a fin de permitir la salida del aire e impedir el aumento de la presión dentro del tanque de aire durante el periodo de asentamiento.

NOTA: Drene siempre el tanque sobre una superficie lavable o en un recipiente adecuado, con el objeto de prevenir el daño o el manchado de superficies.

4. Mueva la palanca On/Auto/Off a la posición "ON/AUTO". El compresor se pondrá en marcha.
5. Haga funcionar el compresor durante 15 minutos. Asegúrese de que la válvula de drenaje esté abierta y que la presión de aire acumulado en el tanque sea mínima.
6. Luego de 15 minutos, cierre la válvula de drenaje. El aire recibido irá llenando hasta el punto de "corte" de presión, y el motor se detendrá.

El compresor estará ahora listo para ser usado.

ANTES DE CADA PUESTA EN MARCHA

1. Coloque el interruptor On/Auto/Off en la posición "OFF".
2. Gire la perilla del regulador contra el sentido del reloj para regular la presión de la salida a cero.
3. Conecte la manguera y accesorios.

NOTA: Tanto la manguera como los accesorios requerirán un enchufe de conexión rápida si la salida del aire está equipada con un zócalo de conexión rápida.

▲ ADVERTENCIA *Demasiada presión de aire podrá ser la causa de riesgo de explosión. Verifique los valores de máxima presión dados por el fabricante de las herramientas neumáticas y los accesorios. La presión de salida del regulador jamás debe exceder los valores de máxima presión especificados.*

CÓMO PONER EN MARCHA

1. Mueva la palanca On/Auto/Off a la posición "AUTO" y deje que se incremente la presión del tanque. El motor se detendrá una vez alcanzado el valor de presión "de corte" del tanque.
2. Gire la perilla del regulador en el sentido del reloj para aumentar la presión y deténgase al alcanzar la presión deseada. El compresor estará listo para ser usado.

NOTA: Opere siempre el compresor de aire en áreas bien ventiladas, libres de gasolina u otras emanaciones combustibles. Si el compresor será utilizado para utilizar un rociador, NO lo coloque en las cercanías de la zona de rociado.



Compresor portátil de aire

Mantenimiento

RESPONSABILIDADES DEL CLIENTE

	Antes de cada uso	Diariamente o luego de cada uso
Verifique la válvula de seguridad	●	
Drenaje del tanque		●

⚠ PRECAUCIÓN *La unidad cicla automáticamente cuando se pone en marcha. Cuando se realizan trabajos de mantenimiento, usted puede estar expuesto a fuentes de voltaje, aire comprimido o piezas en movimiento. Pueden ocurrir lesiones personales. Antes de realizar cualquier trabajo de mantenimiento o reparación, desconecte la fuente de energía del compresor y purgue toda la presión de aire.*

NOTA: Vea en la sección "Operación" la ubicación de los controles.

CÓMO VERIFICAR LA VÁLVULA DE SEGURIDAD

⚠ ADVERTENCIA *Si la válvula de seguridad no trabaja adecuadamente, ello podrá determinar la sobrepresión del tanque, creando el riesgo de su ruptura o explosión.*

1. Antes de poner en marcha el motor, tire del anillo de la válvula de seguridad para confirmar la seguridad de que la misma opera libremente, si la válvula quedase trabada o no trabajara cómodamente, deberá ser reemplazada por el mismo tipo de válvula.

CÓMO DRENAR EL TANQUE

1. Coloque la palanca On/Auto/Off en la posición "OFF".
2. Gire la perilla del regulador contra el sentido del reloj para regular la presión de la salida a cero.
3. Remueva la herramienta neumática o el accesorio.
4. Tire del aro de la válvula de seguridad dejando purgar el aire del tanque hasta que este reduzca su presión aproximadamente a 20 PSI. Suelte el aro de la válvula de seguridad.
5. Drene el agua contenida en el tanque de aire, abriendo la válvula de drenaje ubicada en la base del tanque.

⚠ ADVERTENCIA *Dentro del tanque se producirá condensación de agua. Si no drena, el agua lo corroerá y debilitará causando un riesgo de ruptura del tanque de aire.*

6. Una vez drenada el agua, cierre la válvula de drenaje. Ahora el compresor de aire podrá ser guardado.

NOTA: Si la válvula de drenaje estuviese conectada, elimine toda la presión de aire. La válvula podrá entonces ser extraída, limpiada y reinstalada.



Compresor portátil de aire

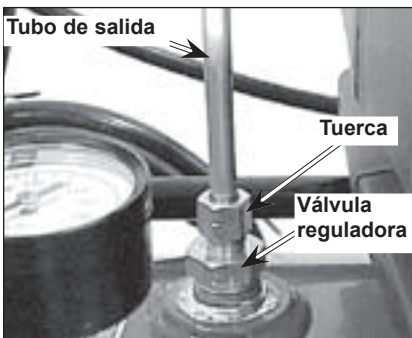
Servicio y Ajustes

⚠ ADVERTENCIA *La unidad cicla automáticamente en cuanto la energía eléctrica es conectada. Al efectuar el mantenimiento, usted quedará expuesto a tensión viva, aire comprimido o partes en movimiento. Debido a tales circunstancias, podrían ocurrirle lesiones personales. Antes de efectuar mantenimiento o reparación alguna, desenchufe el compresor y purgue cualquier presión de aire.*

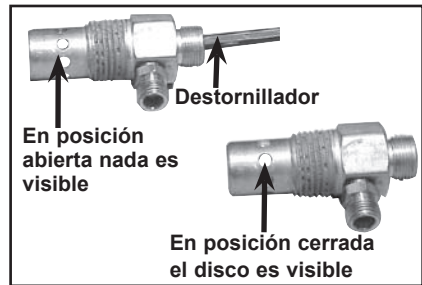
TODO TIPO DE MANTENIMIENTO Y OPERACIONES DE REPARACIÓN NO MENCIONADOS, DEBERÁN SER EFECTUADOS POR PERSONAL TÉCNICO ESPECIALIZADO.

PARA REEMPLAZAR O LIMPIAR LA VÁLVULA REGULADORA

1. Libere toda presión de aire del tanque. Vea "Drenaje del tanque" en la sección mantenimiento.
2. Desenchufe el equipo.
3. Afloje la tuerca de la salida del tubo y muévala hacia el costado.
4. Desenrosque la válvula reguladora (gire en sentido antihorario) utilizando una llave tubular.



5. Asegúrese que el disco de la válvula se mueva libremente dentro de la válvula reguladora y que el resorte sujete al disco en posición erguida y cerrada. La válvula reguladora puede ser limpiada con solvente, tal como los utilizados para pinturas y removedores de barniz.



6. Aplique sellador a los filamentos roscados de la válvula reguladora. Reinstale la válvula reguladora (girando en sentido horario).
7. Reponga la salida del tubo de presión y ajuste la tuerca.
8. Ejecute el proceso de "asentamiento". Vea "Proceso de asentamiento" en la sección "Operación".

PARA REEMPLAZAR EL REGULADOR

1. Libere toda la presión del aire del tanque. Vea "Drenaje del tanque" en la sección "Mantenimiento".
2. Desenchufe el equipo.
3. Usando una llave de tuercas ajustable retire el medidor de salida de presión y la conexión rápida del regulador.
4. Extraiga el regulador.
5. Aplique cinta selladora para cañerías sobre el niple del tubo montante.
6. Ensamble el regulador y oriéntelo de acuerdo a lo mostrado

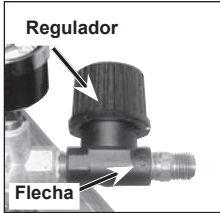


Compresor portátil de aire

Para reemplazar el regulador (continuación)

NOTA: La flecha indica el sentido del flujo del aire. Asegúrese que esté apuntando a la dirección en la que fluye el aire.

7.



Reaplique sellador de cañerías al manómetro de presión externa y a la conexión rápida.

8. Rearme el manómetro de presión de salida y el conector rápido. Oriente el manómetro de salida para permitir su lectura correctamente. Ajuste las conexiones con a llave.

Almacenaje

⚠ ADVERTENCIA *El agua se condensa dentro del tanque de aire. Si no se la drena, el agua corroerá el tanque debilitando sus paredes, originando un riesgo de ruptura de las mismas.*

Antes de guardar el compresor de aire, asegúrese de hacer lo siguiente:

1. Revise la sección "Mantenimiento" de las páginas precedentes y ejecute el mantenimiento programado de acuerdo a la necesidad.

2. Coloque la palanca On/Auto/Off en la posición "OFF".
3. Gire el regulador en sentido antihorario y fije la presión de salida en cero.
4. Extraiga la herramienta neumática o el accesorio.
5. Tire del anillo de la válvula de seguridad permitiendo el purgado del aire del tanque hasta que la presión del mismo llegue aproximadamente a 20 PSI. Suelte el anillo de la válvula de seguridad.
6. Drene el agua del tanque de aire abriendo la válvula de drenaje ubicada en el fondo del tanque.
7. Una vez que el agua haya sido drenada, cierre la válvula de drenaje.

NOTA: Si la válvula de drenaje estuviere enchufada, libere toda la presión de aire. La válvula podrá ser extraída, limpiada y luego reinstalada.

8. Proteja el cable eléctrico y las mangueras de aire de daños (tales como ser pisoteados o pasados por encima). Enróllelos en forma floja, alrededor de la manija del compresor. (Si así estuviere equipado).

Almacene el compresor de aire en un sitio limpio y seco.



Compresor portátil de aire

⚠ ADVERTENCIA *El desarrollo de reparaciones puede exponer a sitios con corriente viva, partes en movimiento o fuentes de aire comprimido. Ello podría ocasionar lesiones personales. Antes de intentar reparación alguna, desenchufe el compresor.*

Guía de diagnóstico de problemas

Sintoma (s)	Causa (s) Posible (s)	Acción Correctiva (s)
Presión excesiva del tanque - la válvula de seguridad se dispara.	<ol style="list-style-type: none"> 1. El interruptor de presión no interrumpe al motor cuando el compresor alcanza la presión "de corte". 2. El interruptor de presión "de corte" está calibrado demasiado alto. 	<ol style="list-style-type: none"> 1. Mueva la palanca On/Auto/Off a la posición "OFF", si el equipo no corta, contacte a un técnico calificado para el servicio. 2. Contacte a un técnico de servicio calificado.
Las conexiones pierden aire	<ol style="list-style-type: none"> 1. Las conexiones de los tubos no están suficientemente ajustadas 	<ol style="list-style-type: none"> 2. Ajuste las conexiones en las que el aire puede ser escuchado escapándose. Verifique las conexiones con solución jabonosa y agua. NO SOBREAJUSTE.
Pérdida de aire en el tanque de aire o en las soldaduras del tanque de aire.	<ol style="list-style-type: none"> 1. Tanque de aire defectuoso. 	<ol style="list-style-type: none"> 1. El tanque de aire debe ser reemplazado. No repare la pérdida.
<p>⚠ ADVERTENCIA <i>No efectúe perforación alguna sobre la soldadura o cosa semejante sobre el tanque de aire, ello lo debilitará. El tanque podría romperse o explotar.</i></p>		
Pérdida de aire entre el cabezal y el plato de válvula.	<ol style="list-style-type: none"> 1. Pérdida en el sellado. 	<ol style="list-style-type: none"> 1. Contacte un técnico calificado de servicio.
Pérdida de aire en la válvula de seguridad.	<ol style="list-style-type: none"> 1. Posible defecto en la válvula de seguridad. 	<ol style="list-style-type: none"> 1. Opere la válvula de seguridad manualmente tirando de su anillo. Si la válvula aun pierde, deberá ser reemplazada.
Golpeteo	<ol style="list-style-type: none"> 1. Posible defecto en la válvula de seguridad. 	<ol style="list-style-type: none"> 1. Opere la válvula de seguridad manualmente tirando de su anillo. Si la válvula aun pierde, deberá ser reemplazada.



Compresor portátil de aire

Sintoma (s)	Causa (s) Posible (s)	Acción Correctiva (s)
La lectura de la presión en el manómetro del regulador de presión baja cuando se usa un accesorio.	1. Es normal que ocurran "algunas" caídas de presión	1. Si existiese una excesiva caída de presión cuando se utiliza el accesorio, ajuste el regulador siguiendo las instrucciones dadas en el párrafo "Descripción de operaciones", dentro de la sección "Operaciones"
		NOTA: Ajuste la presión regulada bajo condiciones de flujo (mientras el accesorio está siendo usado).
El compresor no está suministrando suficiente cantidad de aire para operar los accesorios.	1. Excesivo y prolongado uso del aire. 2. El compresor no tiene suficiente capacidad para el requerimiento de aire al que está sometido. 3. Orificio en la manguera 4. Válvula reguladora restringida. 5. Pérdidas de aire	1. Disminuya la cantidad de uso de aire. 2. Verifique los requerimientos de aire del accesorio. Si fuera mas elevado que SCFM o la presión suministrada por su compresor, usted necesita un compresor de mayor capacidad. 3. Verifique y reemplace si fuese necesario. 4. Extraiga y limpie o reemplace. 5. Ajuste las conexiones.
Hay perdidas de aire continuas en la perilla del regulador.	1. Regulador dañado.	1. Reemplace.
La perilla del regulador tiene pérdidas continuas.	1. Regulador dañado.	1. Reemplace



Compresor portátil de aire

Sintoma (s)	Causa (s) Posible (s)	Acción Correctiva (s)
El motor no funciona	1. Fusible fundido; interruptor automático del circuito disparado.	1a. Verifique la caja de fusibles observando la existencia de fusibles fundidos y sustitúyalos en caso de necesidad. Restablezca el interruptor automático. No use un fusible o interruptor automático con valores que excedan los especificados para la rama de su circuito. b. Verifique el uso del fusible adecuado. Debe usarse un fusible de acción retardada. c. Verifique la existencia de problemas con el bajo voltaje. d. Verifique la extensión del conductor eléctrico. e. Desconecte los otros artefactos eléctricos del circuito u opere el compresor en su ramal de circuito correspondiente.
	2. El cable de extensión eléctrica tiene una longitud o calibre erróneo.	2. Verifique la extensión del conductor eléctrico.
	3. Conexiones eléctricas sueltas.	3. Verifique la conexión en la caja terminal.
	4. Falla el motor	4. Haga verificar por un técnico de servicio calificado.



Compresor portátil de aire

GARANTÍA LIMITADA

GARANTÍA LIMITADA DE UN AÑO DE WESTWARD. Los modelos Westward de compresores de aire cubiertos en este manual, quedan garantizados por Westward al usuario original, contra defectos en la mano de obra o materiales, bajo condiciones normales de uso, durante un año posterior a la fecha de su compra. Cualquier parte determinada como defectuosa en materiales o mano de obra y devueltos a un servicio autorizado, tales como los designados por Westward, con sus costos de envío prepagos, serán la única compensación, reparación o reemplazo, a opción de Westward. Para conocer los procedimientos para el reclamo limitado de garantía, vea el AVISO DE DISPOSICIÓN más abajo. Esta garantía limitada otorga a los compradores derechos legales específicos que podrían variar entre jurisdicciones.

LIMITACIÓN DE RESPONSABILIDADES. THasta la extensión de lo permitido bajo la aplicabilidad de la ley, la responsabilidad de Westward en todos los eventos queda limitada y no excederá del precio abonado por la compra.

DESCARGO DE GARANTÍA: Westward ha hecho todos esfuerzos diligentes para suministrar información del producto e ilustrar los productos de esta literatura en forma precisa; sin embargo, tal información e ilustraciones lo son para el solo propósito de identificación, y no expresan ni implican una garantía de que el producto sea COMERCIALIZABLE, ni que SEA ADECUADO PARA UN PROPÓSITO EN PARTICULAR, ni que el producto necesariamente esté conforme a las ilustraciones o descripciones. Excepto lo provisto más abajo, Westward no garantiza ni afirma la certeza, expresa o implícita, más allá de la indicada en la "GARANTÍA LIMITADA" de arriba, hecha o autorizada por Westward.

APLICABILIDAD DEL PRODUCTO. Muchas jurisdicciones tienen códigos y regulaciones que gobiernan las ventas, la construcción, la instalación y/o el uso de productos para ciertos propósitos, los que podrán variar de aquellos existentes en zonas vecinas. En tanto Westward intenta asegurar que sus productos cumplen con tales códigos, no podrá garantizar la conformidad, y no podrá ser responsable en cómo se instale el producto ni de cómo sea usado. Antes de comprar y utilizar, revise las aplicaciones del mismo y todas las regulaciones de aplicabilidad y códigos nacionales y locales, asegurándose de que el producto, su instalación y uso cumplen con ellas.

Ciertos aspectos de los descargos no son aplicables a los productos de consumo, por ejemplo: (a) algunas jurisdicciones no permiten la exclusión ni la limitación de daños emergentes o casuales, de tal forma, las limitaciones o exclusiones no serán de aplicación en su caso; (b) asimismo, algunas jurisdicciones no permiten una limitación en la duración de una garantía implícita, consecuentemente la limitación antes mencionada no será de aplicación en su caso; y (c) por ley, durante el periodo de una garantía limitada, cualquier garantía implícita o de comercialización o de aptitud para un uso determinado, a productos de consumo adquiridos por consumidores, no podrá ser excluido ni deslindado en forma alguna.

PRONTA DISPOSICIÓN. Westward hará un esfuerzo de buena voluntad para la pronta corrección u otro ajuste respecto a cualquier producto, que se compruebe defectuoso dentro de su garantía limitada. Por cualquier producto considerado defectuoso dentro de la garantía omitida primero, o llame al comercio en el que haya adquirido el producto. El comercio le dará información adicional. Si no fuese posible resolverlo satisfactoriamente, escriba a Westward, a la dirección indicada debajo, dando el nombre y la dirección del comercio, fecha y el número de la factura del proveedor, describiendo la naturaleza y el defecto. Título y riesgo de pérdida pasado al comprador en la entrega a un transportador común. Si el producto fuese dañado en tránsito hacia usted, deberá completar el reclamo correspondiente ante el transportador

**Fabricado por Grainger International Inc.,
100 Grainger Parkway, Lake Forest Illinois 60045 U.S.A.**

Compresor portátil de aire

Para la obtención de repuestos en EE.UU., sírvase llamar al teléfono 1-800-323-0620

24 horas al día, 365 días al año.

Por favor, proporcione la siguiente información:

- Número de modelo
- Número de serie (si hay)
- Descripciones y números de repuestos tal como se indican en la lista de repuestos

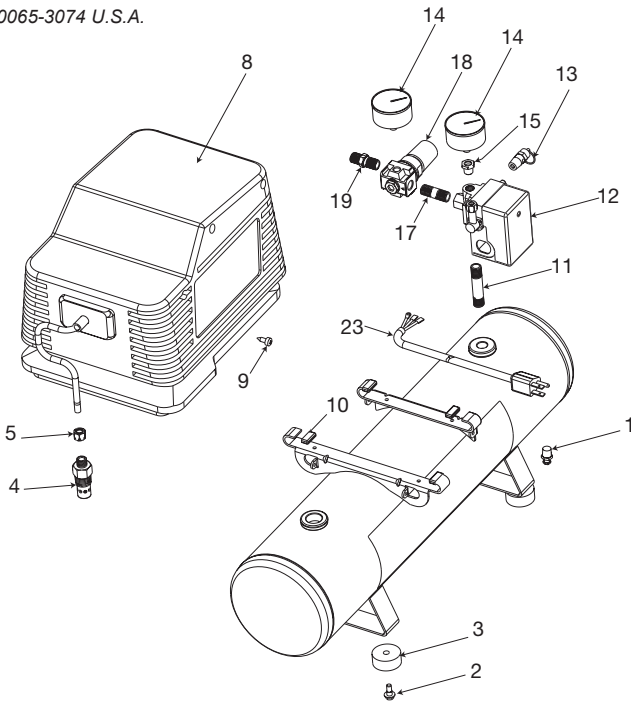
Dirija correspondencia relacionada con repuestos a:

Grainger Parts

P.O. Box 3074

1657 Shermer Road

Northbrook, IL 60065-3074 U.S.A.





Compresor portátil de aire

Lista de Repuestos

Llave	Descripción	Número de pieza	Cant.
1	Válvula de drenaje	A06891	1
2	Tornillo 1/4 - 20 x .750	91895680	4
3	Rebote reprimido de goma	SST-5314-1	4
4	Válvula de retención	D24879	1
5	Manguito con tuerca	SSP-473	1
8	Conjunto de bomba	-----	1
9	Tornillo 1/4 - 14 x 0.25	SSF-621	2
10	Aislante de bomba	CAC-1254	4
11	Niple 1/4 - 18 NPT x 2.50	SSP-480	
12	Conmutador de presión	Z-D27227	1
13	Válvula de seguridad	D20114	1
14	Manómetro de 2"	Z-GA-373	2
15	Buje reductor 1/8 - 1/4NP	SSP-6021	1
17	Niple 1/4-18 NPT x 1.5	SS-1286	1
18	Regulador	CAC-4296-1	1
19	Adaptador 1/4NPT x 1/4 NPSM	D26889	1
23	Conjunto de cable eléctrico	D26618	1

WESTWARD[®]**Compresor portátil de aire**

Para la obtención de repuestos en EE.UU., sírvase llamar al teléfono 1-800-323-0620 24 horas al día, 365 días al año.

Por favor, proporcione la siguiente información:

- Número de modelo
- Número de serie (si hay)
- Descripciones y números de repuestos tal como se indican en la lista de repuestos

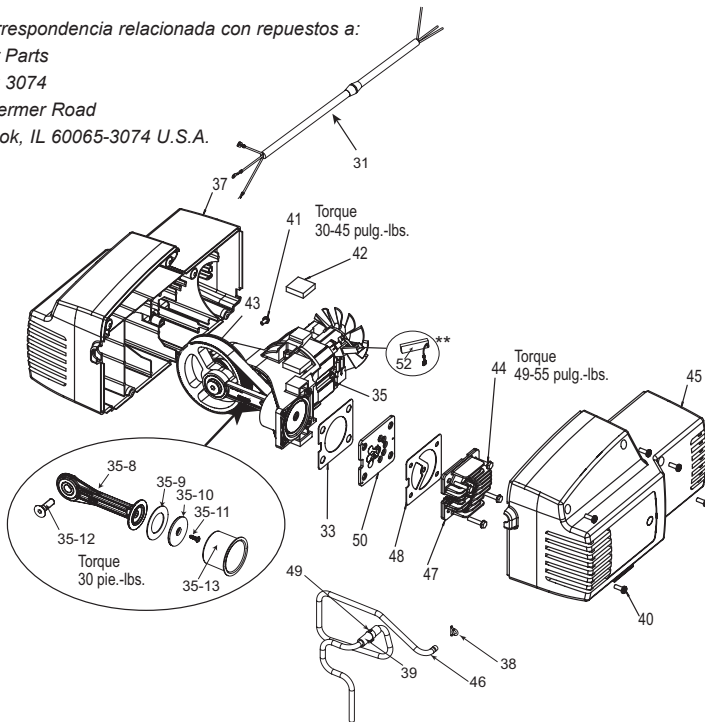
Dirija correspondencia relacionada con repuestos a:

Grainger Parts

P.O. Box 3074

1657 Shermer Road

Northbrook, IL 60065-3074 U.S.A.



**** ESCOBILLAS DE REPUESTO PARA MOTOR**

El modelo y la marca del motor están estampados en el motor. Ambos deben ser identificados antes de ordenar escobillas de repuesto. El número de pieza del motor es sólo para referencia. El motor no requiere servicio.

Motor	Marca	Juego de Escobillas
M0-9088	Northland	Z-D20041
D23494	GS Electric (Ametek)	Z-D23825
D29398	GS Electric (Ametek)	Z-D23825
D30106	GS Electric (Ametek)	Z-D23825
D27098	ECM (Gold Tuning)	Z-D27196



Compresor portátil de aire

Lista de repuestos

Llave	Descripción	Número de pieza	Cant.
31	Conjunto de cable eléctrico	A00766	1
33 ▲	Junta	-----	1
35	Ensemble de sous-pompe	Z-A04615	1
35-8 ■	Conjunto varilla	-----	1
35-9 +	Anillo de compresión preformado	-----	1
35-10 +	Tapa de la barra de conexión	-----	1
35-11 +	Tornillo, #10-24	D21127	1
35-12 ●	Tornillo 3/8-16 UNC	SSF-3147	1
35-13 +■	Camisa de cilindro	-----	1
37 ★	Cubierta protectora (izquierda)	-----	1
38 ▲	Sellador de tubo	CAC-1212	1
39	Aislante de tubo	AC-0206	1
40 ●	Tornillos de la cubierta protectora 10-14 x .750	D29132	5
41 ●	Tornillo 8-32 x .375/.344	SUDL-9-1	1
42	Aislante de la bomba	D25731	5
43	Correa sincronizadora	AC-0815	1
44 ●	Tornillos 10-24 x .7/8	SSF-995	4
45 ★	Cubierta protectora (derecha)	-----	1
46	Tubo de salida	DAC-269	1
47	Cabezal	-----	1
48 ▲	Empaquetadura del cabezal	Z-D24819	1
49	Sujetador de manguera	CAC-1206-1	1
50	Conjunto de placa de válvula	Z-A08548	1
52 **	Escobillas de recambio para el motor (Conjunto de 2)	-----	1
No ilustrado			
★	Cubierta Derecha/Izquierda	A06436	
▲	Juego de empaquetaduras y sellos	D30139	
●	Juego de sujetadores	KK-4929	
■	Juego de varilla conectiva	KK-4964	
+	Juego de anillo	D30324	
	Manual del operador	A08588	



Compresor portátil de aire

Veillez lire et conserver ces directives. Lisez attentivement ce guide de l'utilisateur avant d'utiliser le produit. Protégez-vous et protégez les autres personnes en respectant toutes les informations, les avertissements et les mises en garde. Toute inobservation des instructions risque de provoquer des blessures corporelles et/ou des dommages à la propriété ou au produit. Veillez conserver ces directives pour références ultérieures.

WESTWARD[®]

Compresseur d'air portatif

Description

Compresseur d'air sans huile pour usage au foyer et à cycle de service de 50/50. Le compresseur d'air de 3 gallons (11,4 litres) a été conçu pour assurer la durabilité et un entretien minime. Comprend une soupape de retenue, un manostat, une soupape de sûreté, des manomètres, un régulateur, un boyau et un raccord pour pneus.

Désemballage

Saisissez la poignée et soulevez le compresseur d'air de la boîte. Retirez et jetez tout l'emballage du compresseur d'air. Conservez toute la documentation.

Une fois que l'appareil a été désemballé, inspectez-le afin de vous assurer que l'appareil n'a pas été endommagé lors du transport. Vérifiez s'il y a des pièces desserrées, endommagées ou manquantes. Le cas échéant, une réclamation avec rapport d'avarie doit être soumise au transporteur.



Spécifications

Modèle	Pression max.	Réservoir (gallons)	Courant requis	Volts/Hertz/Phase	pi ³ /min à 90 lb/po ²	pi ³ /min à 125 lb/po ²
3JR70A	135	3	10 AMP	120/60/1	3,7	2,6

Dimensions

Longueur	Largeur	Hauteur	Poids
27,75"	10.50 po	16 po	32 lbs.

DEV002

A08588

Imprimé aux É.-U.

7/05 r1



Compresseur d'air portatif

Mesures de sécurité - Définitions

Il est important de prendre connaissance et de comprendre tous les renseignements que contient ce guide. Cette information porte sur **VOTRE SÉCURITÉ** et sur **LA PRÉVENTION DE PROBLÈMES D'ÉQUIPEMENT**. Afin de vous aider à identifier cette information, nous avons utilisé les symboles ci-dessous. Veuillez lire ce guide en portant une attention particulière à ces sections.

⚠ ATTENTION Indique la possibilité d'un danger qui, s'il n'est pas évité, peut causer des blessures mineures ou moyennes.

⚠ AVERTISSEMENT Indique la possibilité d'un danger qui, s'il n'est pas évité, pourrait causer de graves blessures ou la mort.

⚠ DANGER Indique un danger imminent qui, s'il n'est pas évité, causera de graves blessures ou la mort.

REMARQUE : Indique des instructions spéciales importantes mais qui ne sont pas reliées à la sécurité.

IMPORTANT : Indique des remarques sur l'assemblage, l'installation, l'utilisation ou l'entretien qui peuvent entraîner des dommages à l'appareil ou à d'autres équipements si elles ne sont pas respectées.

Consignes de sécurité importants

⚠ AVERTISSEMENT *La poussière produite par le ponçage électrique, le sciage, le meulage, le perçage et autres activités de construction peut contenir des produits chimiques qui sont reconnus (par l'état de la Californie) de causer le cancer, les anomalies congénitales ou autres maux de reproduction. Ces produits chimiques comprennent, entre autres :*

- *le plomb provenant des peintures à base de plomb;*
- *la silice cristalline provenant de briques, de béton ou d'autres produits de maçonnerie;*
- *l'arsenic et le chrome provenant du bois de charpente traité chimiquement.*

Le risque d'exposition à ces produits dépend de la fréquence d'exécution de ce genre de travaux. Afin de réduire l'exposition à ces produits chimiques lorsque vous utilisez de tels outils:

- Travaillez dans un endroit bien aéré.
- Utilisez de l'équipement de sécurité approuvé.
- Portez toujours un masque facial ou respirateur homologué MSHA/NIOSH bien ajusté.

Lorsque vous utilisez un outil pneumatique, il faut toujours suivre les mesures de sécurité de base afin de réduire le risque de blessures corporelles.

WESTWARD® Compresseur d'air portatif



CONSERVER CES DIRECTIVES



UN EMPLOI OU UN ENTRETIEN NON APPROPRIÉS DE CE PRODUIT PEUT CAUSER DES BLESSURES GRAVES ET DES DOMMAGES À LA PROPRIÉTÉ. LIRE ATTENTIVEMENT TOUS LES AVERTISSEMENTS ET LES DIRECTIVES D'UTILISATION AVANT D'UTILISER CET APPAREIL.

DANGER

RISQUE D'EXPLOSION OU D'INCENDIE



RISQUE	PRÉVENTION
<p>LES ÉTINCELLES QUI PROVIENNENT DES CONTACTS ÉLECTRIQUES DU MOTEUR ET DU MANOSTAT SONT CONSIDÉRÉES NORMALES.</p>	<p>TOUJOURS UTILISER LE COMPRESSEUR DANS UN ENDROIT BIEN AÉRÉ, LOIN DE TOUTE MATIÈRE COMBUSTIBLE ET DES VAPEURS D'ESSENCE OU DE SOLVANTS.</p>
<p>SI DES ÉTINCELLES ÉLECTRIQUES DU COMPRESSEUR ENTRENT EN CONTACT AVEC DES VAPEURS INFLAMMABLES, ELLES PEUVENT S'ENFLAMMER, PROVOQUANT UN INCENDIE OU UNE EXPLOSION.</p>	<p>SI DES MATIÈRES INFLAMMABLES DOIVENT ÊTRE VAPORISÉES, SITUER LE COMPRESSEUR À UNE DISTANCE D'AU MOINS 20 PIEDS DE LA ZONE DE VAPORISATION. IL PEUT S'AVÉRER NÉCESSAIRE D'UTILISER UN BOYAU SUPPLÉMENTAIRE.</p>
<p>TOUTE OBSTRUCTION DES ORIFICES D'AÉRATION DU COMPRESSEUR ENTRAÎNERA UNE SURCHAUFFE DANGEREUSE ET RISQUE DE CAUSER UN INCENDIE.</p>	<p>ENTREPOSER LES MATIÈRES INFLAMMABLES DANS UN ENDROIT SÉCURITAIRE, LOIN DU COMPRESSEUR.</p> <p>NE JAMAIS PLACER DES OBJETS CONTRE OU SUR LE COMPRESSEUR. UTILISER LE COMPRESSEUR DANS UN ENDROIT OUVERT, À AU MOINS 12 POUCES (30 cm) DE TOUT MUR OU OBSTRUCTION QUI RÉDUIT LE DÉBIT D'AIR FRAIS VERS LES ORIFICES D'AÉRATION.</p>
<p>SI CET APPAREIL FONCTIONNE SANS SUPERVISION, CELA RISQUE DE CAUSER DES BLESSURES GRAVES OU DES DOMMAGES À LA PROPRIÉTÉ. POUR RÉDUIRE LE RISQUE D'INCENDIE, NE JAMAIS LAISSER LE COMPRESSEUR D'AIR FONCTIONNER SANS SUPERVISION.</p>	<p>UTILISER LE COMPRESSEUR DANS UN ENDROIT PROPRE, SEC ET BIEN AÉRÉ. NE PAS UTILISER L'APPAREIL À L'INTÉRIEUR OU DANS UN ENDROIT CLOS.</p> <p>TOUJOURS RESTER À PROXIMITÉ DE L'APPAREIL LORSQU'IL EST EN FONCTION.</p> <p>TOUJOURS COUPER L'ALIMENTATION ÉLECTRIQUE EN PLAÇANT LE LEVIER DU MANOSTAT À LA POSITION D'ARRÊT "OFF" ET VIDANGER LE RÉSERVOIR CHAQUE JOUR OU APRÈS CHAQUE USAGE.</p>



Compresseur d'air portatif

DANGER RISQUE D'ÉCLATEMENT



RÉSERVOIR D'AIR : LES CONDITIONS SUIVANTES PEUVENT AFFAIBLIR LES PAROIS DU RÉSERVOIR ET PROVOQUER UNE EXPLOSION VIOLENTE DU RÉSERVOIR QUI RISQUE DE CAUSER DES DOMMAGES À LA PROPRIÉTÉ OU DES BLESSURES GRAVES.

RISQUE	PRÉVENTION
<p>1. LE DÉFAUT DE VIDANGER DE FAÇON APPROPRIÉE L'EAU CONDENSÉE DANS LE RÉSERVOIR RISQUE DE CAUSER LA ROUILLE ET L'AMINCISSEMENT DES PAROIS EN ACIER DU RÉSERVOIR.</p> <p>2. DES MODIFICATIONS OU TENTATIVES DE RÉPARATION FAITES SUR LE RÉSERVOIR.</p> <p>3. DES MODIFICATIONS NON AUTORISÉES APPORTÉES À LA SOUPAPE DE DÉCHARGE, À LA SOUPAPE DE SÛRETÉ OU À TOUTE AUTRE COMPOSANTE QUI CONTRÔLE LA PRESSION DU RÉSERVOIR.</p> <p>4. DES VIBRATIONS EXCESSIVES PEUVENT AFFAIBLIR LE RÉSERVOIR ET CAUSER UNE RUPTURE OU UNE EXPLOSION.</p> <p>FIXATIONS ET ACCESSOIRES : LE FAIT D'EXCÉDER LA PRESSION NOMINALE DES OUTILS PNEUMATIQUES, PISTOLETS PULVÉRISATEURS, ACCESSOIRES PNEUMATIQUES, PNEUS ET AUTRES OBJETS GONFLABLES RISQUE DE PROVOQUER L'EXPLOSION DE CES DERNIERS ET LA PROJECTION DE PIÈCES, CE QUI RISQUE DE CAUSER DE GRAVES BLESSURES.</p>	<p>PURGER LE RÉSERVOIR QUOTIDIENNEMENT OU APRÈS CHAQUE UTILISATION. SI LE RÉSERVOIR ACCUSE UNE FUITE, LE REMPLACER IMMÉDIATEMENT PAR UN NOUVEAU RÉSERVOIR OU REMPLACER LE COMPRESSEUR AU COMPLET.</p> <p>NE JAMAIS PERFORER AVEC UNE PERCEUSE, SOUDER OU FAIRE UNE MODIFICATION QUELCONQUE AU RÉSERVOIR OU À SES ACCESSOIRES.</p> <p>LE RÉSERVOIR EST CONÇU POUR SUBIR DES PRESSIONS DE SERVICE PARTICULIÈRES. NE JAMAIS EFFECTUER DES RÉGLAGES NI SUBSTITUER DES PIÈCES POUR MODIFIER LES PRESSIONS DE SERVICE ÉTABLIES À L'USINE.</p> <p>POUR LE CONTRÔLE ESSENTIEL DE LA PRESSION D'AIR, IL FAUT POSER UN RÉGULATEUR DE PRESSION (S'IL N'EST PAS DÉJÀ POSÉ) ET UN MANOMÈTRE À LA SORTIE D'AIR DU COMPRESSEUR. SUIVRE LES RECOMMANDATIONS DU FABRICANT DE L'ÉQUIPEMENT ET NE JAMAIS EXCÉDER LA VALEUR NOMINALE DE PRESSION SPÉCIFIÉE DES ACCESSOIRES. NE JAMAIS UTILISER LE COMPRESSEUR POUR GONFLER DES OBJETS À FAIBLE PRESSION, TELS QUE LES JOUETS D'ENFANT, LES BALLONS DE FOOTBALL OU DE BASKET-BALL, ETC.</p>



Compresseur d'air portatif

DANGER

RISQUE DE PROJECTION D'OBJETS



RISQUE	PRÉVENTION
<p>LE JET D'AIR COMPRIMÉ PEUT CAUSER DES LÉSIONS AUX TISSUS DE LA PEAU EXPOSÉE ET PEUT PROJETER DE LA SALETÉ, DES COPEAUX, DES PARTICULES LIBRES ET DE PETITS OBJETS À HAUTE VITESSE, CE QUI RISQUE DE CAUSER DES DOMMAGES À LA PROPRIÉTÉ OU DES BLESSURES.</p>	<p>TOUJOURS PORTER DES LUNETTES DE PROTECTION HOMOLOGUÉES ANSI Z87.1 AVEC DES ÉCRANS LATÉRAUX LORS DE L'UTILISATION DU COMPRESSEUR.</p> <p>NE JAMAIS DIRIGER LA BUSE OU LE VAPORISATEUR VERS SOI, VERS D'AUTRES PERSONNES OU VERS DES ANIMAUX.</p> <p>TOUJOURS METTRE LE COMPRESSEUR HORS FONCTION ET PURGER LA PRESSION DU BOYAU D'AIR ET DU RÉSERVOIR AVANT D'ENTAMER L'ENTRETIEN OU D'ATTACHER DES OUTILS OU ACCESSOIRES.</p>

DANGER

RISQUE DE CHOC ÉLECTRIQUE



RISQUE	PRÉVENTION
<p>VOTRE COMPRESSEUR D'AIR EST ALIMENTÉ PAR ÉLECTRICITÉ. COMME AVEC TOUS LES APPAREILS ÉLECTRIQUES, SI L'APPAREIL N'EST PAS UTILISÉ DE FAÇON APPROPRIÉE, IL PEUT CAUSER DES CHOC ÉLECTRIQUES.</p> <p>TOUTE RÉPARATION EFFECTUÉE PAR UNE PERSONNE NON QUALIFIÉE PEUT ENTRAÎNER DES BLESSURES GRAVES OU LA MORT PAR ÉLECTROCUTION.</p> <p>MISE À LA TERRE : LE DÉFAUT D'ÉTABLIR UNE MISE À LA TERRE APPROPRIÉE POUR CET APPAREIL PEUT ENTRAÎNER DES BLESSURES GRAVES OU LA MORT PAR ÉLECTROCUTION. VOIR LES DIRECTIVES DE MISE À LA TERRE.</p>	<p>NE JAMAIS FAIRE FONCTIONNER LE COMPRESSEUR À L'EXTÉRIEUR LORSQU'IL PLEUT OU DANS DES CONDITIONS HUMIDES.</p> <p>NE JAMAIS FAIRE FONCTIONNER LE COMPRESSEUR SANS LES COUVERCLES DE PROTECTION OU LORSQUE CEUX-CI SONT ENDOMMAGÉS.</p> <p>TOUT CÂBLAGE ÉLECTRIQUE OU TOUTE RÉPARATION REQUIS SUR CET APPAREIL DEVRAIT ÊTRE EFFECTUÉ PAR LE PERSONNEL D'UN CENTRE DE SERVICE APRÈS-VENTE AUTORISÉ, CONFORMÉMENT AUX CODES ÉLECTRIQUES NATIONAUX ET LOCAUX.</p> <p>S'ASSURER QUE LE CIRCUIT ÉLECTRIQUE ALIMENTANT LE COMPRESSEUR FOURNIT UNE MISE À LA TERRE ÉLECTRIQUE APPROPRIÉE, UNE TENSION APPROPRIÉE ET UNE PROTECTION ADÉQUATE PAR FUSIBLES.</p>



Compresseur d'air portatif

DANGER

RISQUE PAR INHALATION



RISQUE	PRÉVENTION
<p>L'AIR COMPRIMÉ DE VOTRE COMPRESSEUR D'AIR N'EST PAS SÉCURITAIRE POUR L'INHALATION. LE JET D'AIR PEUT CONTENIR DU MONOXYDE DE CARBONE, DES VAPEURS TOXIQUES OU DES PARTICULES SOLIDES DU RÉSERVOIR. L'INHALATION DE CES CONTAMINANTS PEUT CAUSER DES BLESSURES GRAVES OU LA MORT.</p> <p>LES MATIÈRES VAPORISÉES TELLES QUE LA PEINTURE, LES SOLVANTS DE PEINTURE, LES DÉCAPANTS, LES INSECTICIDES ET LES HERBICIDES CONTIENNENT DES VAPEURS NOCIVES ET TOXIQUES.</p>	<p>L'AIR OBTENU DIRECTEMENT DU COMPRESSEUR NE DEVRAIT JAMAIS ÊTRE UTILISÉ COMME SOURCE D'AIR POUR LES ÊTRE HUMAINES. SI L'AIR PRODUIT PAR CE COMPRESSEUR SERA UTILISÉ POUR LA RESPIRATION, IL FAUT INSTALLER DES FILTRES APPROPRIÉS AINSI QUE DU MATÉRIEL DE SÉCURITÉ. LES FILTRES EN LIGNE ET LE MATÉRIEL DE SÉCURITÉ UTILISÉS AVEC LE COMPRESSEUR DOIVENT ÊTRE DANS LA MESURE DE TRAITER L'AIR DE FAÇON À CE QU'IL RÉPONDE À TOUTES LES NORMES NATIONALES ET LOCALES APPLICABLES AVANT D'ÊTRE UTILISÉ POUR LES ÊTRES HUMAINES.</p> <p>TRAVAILLER DANS UN ENDROIT OÙ IL Y A UNE BONNE VENTILATION TRANSVERSALE. BIEN LIRE ET RESPECTER LES DIRECTIVES DE SÉCURITÉ INDICQUÉES SUR L'ÉTIQUETTE OU LA FICHE SIGNALÉTIQUE DE LA MATIÈRE QUI EST VAPORISÉE. PORTER UN RESPIRATEUR HOMOLOGUÉ PAR LE NIOSH/MSHA ET CONÇU POUR L'APPLICATION EN QUESTION.</p>

DANGER

RISQUE DE BRÛLURES



RISQUE	PRÉVENTION
<p>LE FAIT DE TOUCHER AUX SURFACES DE MÉTAL EXPOSÉES TELLES QUE LA TÊTE DU COMPRESSEUR OU LES TUBES DE SORTIE PEUT CAUSER DE GRAVES BRÛLURES À LA PEAU.</p>	<p>NE JAMAIS TOUCHER AUX PIÈCES DE MÉTAL EXPOSÉES DU COMPRESSEUR DURANT OU IMMÉDIATEMENT APRÈS LE FONCTIONNEMENT. LE COMPRESSEUR DEMEURE CHAUD PENDANT PLUSIEURS MINUTES APRÈS LE FONCTIONNEMENT.</p> <p>NE PAS TENTER D'ATTEINDRE LES COMPOSANTES DERRIÈRE LES GARDES DE PROTECTION ET NE PAS EFFECTUER DE L'ENTRETIEN AVANT D'AVOIR LAISSÉ REFROIDIR L'APPAREIL.</p>



Compresseur d'air portatif

DANGER

RISQUE RELIÉ AUX PIÈCES MOBILES



RISQUE	PRÉVENTION
<p>LES PIÈCES MOBILES TELLES QUE LA POULIE, LE VOLANT-MOTEUR ET LA COURROIE PEUVENT ENTRAÎNER DES BLESSURES GRAVES SI ELLES ENTRENT EN CONTACT AVEC UNE PARTIE DU CORPS OU DES VÊTEMENTS.</p> <p>EN TENTANT DE FAIRE FONCTIONNER LE COMPRESSEUR AVEC DES PIÈCES MANQUANTES OU ENDOMMAGÉES, OU DE RÉPARER LE COMPRESSEUR SANS LES GARDES DE PROTECTION, ON S'EXPOSE AUX PIÈCES MOBILES, CE QUI PEUT ENTRAÎNER DES BLESSURES GRAVES.</p>	<p>NE JAMAIS FAIRE FONCTIONNER LE COMPRESSEUR SANS LES GARDES OU LES COUVERCLES OU LORSQUE CEUX-CI SONT ENDOMMAGÉS.</p> <p>TOUTE RÉPARATION REQUISE SUR CET APPAREIL DEVRAIT ÊTRE EFFECTUÉE PAR LE PERSONNEL D'UN CENTRE DE SERVICE APRÈS-VENTE AUTORISÉ.</p>

DANGER

RISQUE DE CHUTE



RISQUE	PRÉVENTION
<p>UN COMPRESSEUR PORTATIF PEUT TOMBER D'UNE TABLE, D'UN ÉTABLI OU D'UN TOIT. L'IMPACT PEUT CAUSER DES DOMMAGES AU COMPRESSEUR ET DES BLESSURES CORPORELLES OU LA MORT DE L'UTILISATEUR.</p>	<p>TOUJOURS S'ASSURER DE LA STABILITÉ DU COMPRESSEUR AVANT DE LE FAIRE FONCTIONNER AFIN DE PRÉVENIR TOUT MOUVEMENT ACCIDENTEL DE L'APPAREIL. NE JAMAIS UTILISER UN COMPRESSEUR SUR UN TOIT OU DANS UNE POSITION ÉLEVÉE ; UTILISER PLUTÔT UN BOYAU D'AIR SUPPLÉMENTAIRE POUR ATTEINDRE LES ENDROITS ÉLEVÉS.</p>

DANGER

RISQUE DE DOMMAGES À LA PROPRIÉTÉ PENDANT LE TRANSPORT DU COMPRESSEUR

(incendie, inhalation, dommages aux surfaces du véhicule)



RISQUE	PRÉVENTION
<p>DES FUITES OU DES DÉVERSEMENTS D'HUILE PEUVENT SE PRODUIRE ET ENTRAÎNER DES RISQUES D'INCENDIE, OU DES PROBLÈMES AUX VOIES RESPIRATOIRES, DES BLESSURES GRAVES OU LA MORT. DES FUITES D'HUILE ENDOMMAGENT LES TAPIS, LA PEINTURE ET TOUTE AUTRE SURFACE DES VÉHICULES OU DES REMORQUES.</p>	<p>TOUJOURS PLACER LE COMPRESSEUR SUR UN TAPIS DE PROTECTION POUR ÉVITER L'ENDOMMAGEMENT DU VÉHICULE PAR DES FUITES. RETIRER LE COMPRESSEUR DU VÉHICULE IMMÉDIATEMENT À L'ARRIVÉE.</p>



Compresseur d'air portatif

DANGER

RISQUE D'UNE UTILISATION DANGEREUSE



RISQUE	PRÉVENTION
<p>UNE UTILISATION DANGEREUSE DE VOTRE COMPRESSEUR D'AIR POURRAIT CAUSER DES BLESSURES GRAVES OU LA MORT DE L'UTILISATEUR OU D'AUTRES PERSONNES.</p>	<p>LIRE ATTENTIVEMENT TOUTES LES INSTRUCTIONS ET TOUS LES AVERTISSEMENTS FIGURANT DANS CE GUIDE.</p> <p>SE FAMILIARISER AVEC LE FONCTIONNEMENT ET LES COMMANDES DU COMPRESSEUR D'AIR.</p> <p>GARDER LES SPECTATEURS, LES ANIMAUX DE COMPAGNIE ET LES OBSTACLES ÉLOIGNÉS DE L'AIRE DE TRAVAIL.</p> <p>GARDER LES ENFANTS ÉLOIGNÉS DU COMPRESSEUR D'AIR À TOUT TEMPS.</p> <p>NE PAS UTILISER LE PRODUIT LORSQUE VOUS ÊTES FATIGUÉ OU SOUS L'INFLUENCE D'ALCOOL OU DE DROGUES. RESTER ALERTE À TOUT MOMENT.</p> <p>NE JAMAIS TENTER D'ANNULER LES CARACTÉRISTIQUES DE SÉCURITÉ DE CE PRODUIT.</p> <p>S'ASSURER QU'UN EXTINCTEUR D'INCENDIE EST DISPONIBLE DANS L'AIRE DE TRAVAIL.</p> <p>NE PAS UTILISER L'APPAREIL AVEC DES PIÈCES BRISÉES, MANQUANTES OU NON AUTORISÉES.</p>



Compresseur d'air portatif

Installation

EMPLACEMENT DU COMPRESSEUR D'AIR

Le compresseur d'air doit être situé dans un endroit propre, sec et bien aéré. Le compresseur d'air devrait être situé à une distance d'au moins 12 po (30 cm) de tout mur ou autre obstruction qui pourrait bloquer le débit d'air. La pompe et la tôle de protection du compresseur sont conçus pour permettre un refroidissement approprié. Les ouvertures d'aération du compresseur sont nécessaires pour maintenir la température de fonctionnement appropriée. Ne placez pas de chiffons ou de contenants sur ou à proximité de ces ouvertures.

DIRECTIVES DE MISE À LA TERRE

⚠ AVERTISSEMENT RISQUE DE CHOCS ÉLECTRIQUES !

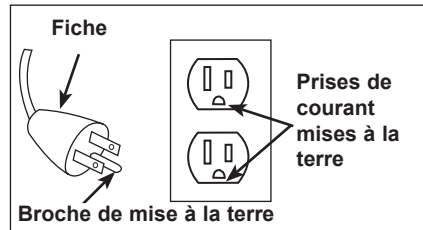
En cas de court-circuit, la mise à la terre réduit le risque de choc en fournissant un fil de fuite pour le courant électrique. Ce compresseur d'air doit être adéquatement mis à la terre.

Ce compresseur d'air portatif est doté d'un cordon muni d'un fil de mise à la terre et d'une fiche appropriée de mise à la terre (voir l'illustration ci-dessous). La fiche doit être insérée dans une prise de courant installée et mise à la terre conformément à tous les codes et ordonnances électriques locaux.

1. Le cordon fourni avec cet appareil comprend une fiche avec broche de mise à la terre. La fiche DOIT être insérée dans une prise de courant mise à la terre.

IMPORTANT : La prise de courant utilisée doit être installée et mise à la terre conformément à tous les codes et ordonnances électriques locaux.

2. Assurez-vous que la prise de courant utilisée a la même configuration que la fiche mise à la terre.
NE PAS UTILISER UN ADAPTATEUR. Voir l'illustration.
3. Inspectez la fiche et le cordon avant chaque utilisation. Ne pas les utiliser s'il y a des signes de dommages.



4. Si vous ne comprenez pas tout à fait ces directives de mise à la terre, ou s'il y a des doutes que le compresseur soit mis à la terre de manière appropriée, faire vérifier l'installation par un électricien qualifié.

⚠ AVERTISSEMENT UNE MISE À LA TERRE INAPPROPRIÉE PEUT ENTRAÎNER DES CHOCS ÉLECTRIQUES.

Ne modifiez pas la fiche fournie. Si elle ne convient pas à la prise de courant disponible, une prise appropriée doit être installée par un électricien qualifié.

Toute réparation du cordon ou de la fiche DOIT être effectuée par un électricien qualifié.



Compresseur d'air portatif

RALLONGES

Utilisez un boyau d'air supplémentaire au lieu d'une rallonge pour éviter une chute de tension, une perte de puissance et la surchauffe du moteur.

Si une rallonge doit être utilisée, s'assurer :

- d'utiliser une rallonge à trois fils, munie d'une fiche à trois lames avec mise à la terre et une prise de courant à trois fentes qui accepte la fiche de la rallonge;
- qu'elle est en bon état;
- qu'elle n'excède pas 50 pi (15,5 m);
- que les fils sont d'un calibre minimum de 12 AWG. (La grosseur du fil augmente comme le numéro de jauge diminue. Les fils de calibre 10 AWG et 8 AWG peuvent également être utilisés. NE PAS UTILISER UN FIL DE CALIBRE 14 OU 16 AWG.)

PROTECTION CONTRE LA SURTENSION ET PROTECTION DU CIRCUIT

Consulter le tableau des spécifications pour connaître les exigences minimums concernant la tension et le circuit de dérivation.

Certains modèles de compresseur d'air peuvent fonctionner sur un circuit de 15 ampères si les conditions suivantes sont satisfaites :

1. la tension d'alimentation au circuit de dérivation est de 15 A;
2. le circuit n'est pas utilisé pour alimenter d'autres dispositifs électriques (lumières, appareils électriques, etc.);
3. les rallonges sont conformes aux spécifications;
4. le circuit est muni d'un coupe-circuit de 15 A ou d'un fusible retardé de 15 A. **REMARQUE** : Si le compresseur est branché sur un circuit protégé par fusibles, n'utilisez que des fusibles retardés. Les fusibles retardés sont identifiés avec un "D" au Canada et un "T" aux É.-U.

Si une des conditions ci-dessus ne

peut être satisfaite, ou si l'utilisation du compresseur entraîne continuellement une panne de courant, il sera peut être nécessaire de brancher le compresseur sur un circuit de 20 ampères. Il n'est pas nécessaire de remplacer le cordon dans un tel cas.

Utilisation

FAMILIARISEZ-VOUS AVEC VOTRE COMPRESSEUR D'AIR

LISEZ CE GUIDE DE L'UTILISATEUR ET TOUTES LES MESURES DE SÉCURITÉ AVANT D'UTILISER CET APPAREIL. Comparez les illustrations à votre appareil pour vous familiariser avec l'emplacement des commandes et boutons de réglage. Conservez ce guide pour références ultérieures.

DESCRIPTION DU FONCTIONNEMENT

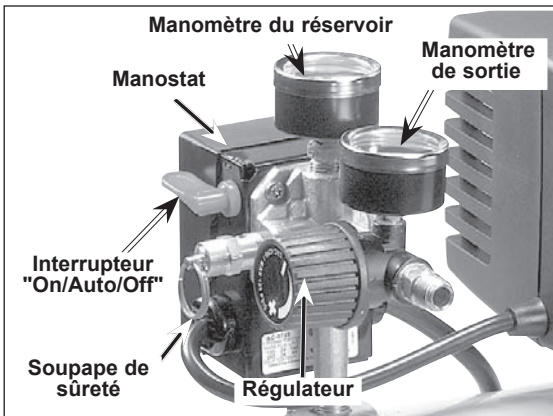
Familiarisez-vous avec ces commandes avant d'utiliser l'appareil.

Interrupteur marche/automatique/arrêt "On/Auto/Off" :

Placez cet interrupteur à la position "ON" pour alimenter l'interrupteur de pression et à la position "OFF" pour couper le courant après chaque utilisation.

Manostat : Le manostat démarre automatiquement le moteur lorsque la pression dans le réservoir d'air tombe à une valeur inférieure à la "pression d'amorçage" réglée à l'usine. Il arrête le moteur lorsque la pression dans le réservoir d'air atteint la "pression de rupture" réglée à l'usine.

Soupape de sûreté : Si le manostat n'arrête pas le compresseur d'air lorsque la "pression de rupture" est atteinte, la soupape de sûreté protège contre toute surpression en "sautant" à la valeur de pression établie à l'usine (une pression légèrement supérieure à la "pression de rupture" établie pour le manostat.

WESTWARD®**Compresseur d'air portatif****Description du fonctionnement (suite)**

Manomètre de sortie : Le manomètre de sortie indique la pression d'air disponible à la sortie du régulateur. Cette pression est contrôlée par le régulateur et est toujours inférieure à ou égale à la pression du réservoir.

Manomètre du réservoir : Le manomètre du réservoir indique la pression d'air en réserve dans le réservoir.

Régulateur : Contrôle la pression d'air indiquée sur la jauge à pression de sortie. Tournez la poignée du régulateur dans le sens des aiguilles d'une montre pour augmenter et dans le sens contraire pour réduire la pression.

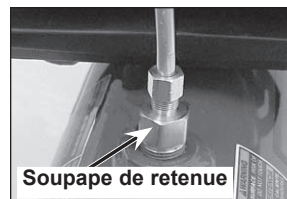
Robinet de vidange : Le robinet de vidange est situé à la base du réservoir d'air et est utilisé pour vidanger la condensation après chaque utilisation.

**Système de refroidissement (non illustré) :**

Ce compresseur d'air offre un système de refroidissement de pointe. Le cœur de ce système de refroidissement est un ventilateur. Il est tout à fait normal que ce ventilateur souffle une grande quantité d'air à travers les trous d'aération. L'expulsion d'air indique que le système de refroidissement est en fonction.

Pompe du compresseur d'air (non illustrée) : La pompe comprime l'air pour le forcer dans le réservoir d'air. L'air n'est pas disponible pour travailler avant que le compresseur n'ait élevé la pression du réservoir d'air au niveau requis à la sortie d'air.

Soupepe de retenue : Lorsque le compresseur fonctionne, la soupape de retenue est "ouverte", permettant à l'air comprimé d'entrer dans le réservoir d'air. Quand le compresseur d'air atteint la "pression de rupture", la soupape de retenue "se ferme", permettant à l'air pressurisé de demeurer à l'intérieur du





Compresseur d'air portatif

ARRÊT DE L'APPAREIL

1. Réglez le levier marche/automatique/arrêt "On/Auto/Off" à la position d'arrêt "OFF".

AVANT LE PREMIER DÉMARRAGE

⚠ AVERTISSEMENT *Le compresseur d'air peut subir d'importants dommages si les procédures de rodage ne sont pas suivies à la lettre.*

Cette procédure doit être exécutée **avant** d'utiliser le compresseur d'air pour la première fois et après le remplacement de la soupape de retenue ou de la pompe complète du compresseur.

1. Assurez-vous que le levier marche/automatique/arrêt "On/Auto/Off" est en position d'arrêt "OFF".

REMARQUE : Tirez le raccord vers l'arrière jusqu'à ce qu'il s'enclenche afin d'empêcher la fuite d'air du raccord à connexion rapide.

2. Branchez le cordon d'alimentation dans la prise de courant du circuit de dérivation approprié. (Consultez le paragraphe sur la protection contre la surtension et la protection du circuit de la section sur l'installation de ce guide.)
3. Ouvrez complètement le robinet de vidange afin de permettre à l'air de sortir et pour empêcher une accumulation de pression dans le réservoir d'air lors de la période de rodage.

REMARQUE : Vidangez toujours le réservoir sur une surface lavable ou dans un récipient approprié afin d'éviter d'endommager ou de tacher les surfaces.

4. Placez le levier "On/Auto/Off" à la position "ON/AUTO". Le compresseur se mettra en marche.
5. Faire fonctionner le compresseur pendant 15 minutes. Assurez-vous que le robinet de vidange est ouvert et que la pression d'air accumulée dans le réservoir est minimale.

6. Après 15 minutes, fermez le robinet de vidange. Le réservoir d'air se remplira jusqu'à ce que la "pression de rupture" soit atteinte et le moteur s'arrêtera ensuite.

Le compresseur d'air est maintenant prêt pour l'utilisation.

AVANT CHAQUE MISE EN MARCHÉ

1. Placez le levier "On/Auto/Off" à la position "OFF".
2. Tournez la poignée du régulateur dans le sens des aiguilles d'une montre pour régler la pression de sortie à zéro.
3. Raccordez le boyau et les accessoires. **REMARQUE** : Le boyau ou l'accessoire doit être muni d'une fiche à connexion rapide si la sortie d'air est équipée d'une douille à connexion rapide.

⚠ AVERTISSEMENT *Une pression d'air trop élevée conduit à un risque dangereux d'éclatement. Vérifiez la pression nominale maximum du fabricant pour tous les outils pneumatiques et accessoires utilisés. La pression de sortie du régulateur ne doit jamais excéder la pression nominale maximum.*

MISE EN MARCHÉ

1. Placez le levier "On/Auto/Off" à la position "AUTO" et attendez jusqu'à ce que la pression augmente. Le moteur s'arrêtera lorsque la pression dans le réservoir atteint la "pression de rupture".
2. Tournez la poignée du régulateur dans le sens des aiguilles d'une montre pour augmenter la pression et arrêtez quand la pression désirée est atteinte. Le compresseur d'air est maintenant prêt pour l'utilisation.

REMARQUE : Utilisez toujours le compresseur d'air dans une région bien aérée, sans vapeurs d'essence ni autres vapeurs combustibles. Si le compresseur est utilisé avec un vaporisateur, NE PAS placer le compresseur près de la région de vaporisation.



Compresseur d'air portatif

Entretien

RESPONSABILITÉS DU CLIENT

	Avant chaque utilisation	À chaque jour ou après chaque utilisation
Vérifier la soupape de sûreté	●	
Vidanger le réservoir		●

▲ MISE EN GARDE

L'appareil fonctionne automatiquement en cycles lorsqu'il est sous tension. En effectuant l'entretien, vous pouvez être exposé aux sources de tension, à l'air comprimé ou aux pièces mobiles et subir ainsi des blessures corporelles. Avant d'entreprendre tout entretien ou réparation, débranchez l'appareil et purgez tout l'air pressurisé du réservoir.

REMARQUE : Consultez la section "Utilisation" pour connaître l'emplacement des commandes.

VÉRIFICATION DE LA SOUPAPE DE SÛRETÉ

▲ AVERTISSEMENT

Si la soupape de sûreté ne fonctionne pas correctement, une surpression pourrait avoir lieu et causer une rupture ou une explosion du réservoir à air.

1. Avant de mettre en marche le compresseur, tirez sur l'anneau de la soupape de sûreté pour vous assurer que la soupape fonctionne librement. Si la soupape est coincée ou qu'elle ne se déplace pas librement, elle doit être remplacée par une autre soupape du même type.

VIDANGE DU RÉSERVOIR

1. Réglez le levier marche/automatique/arrêt "On/Auto/Off" à la position d'arrêt "OFF".
2. Tirez le bouton du régulateur vers l'extérieur et tournez-le dans le sens des aiguilles d'une montre pour régler la pression de sortie à zéro.
3. Enlevez l'outil pneumatique ou l'accessoire.
4. Tirez l'anneau de la soupape de sûreté pour permettre à l'air de purger du réservoir jusqu'à ce que la pression dans le réservoir se situe à environ 20 lb/po². Relâchez l'anneau de la soupape de sûreté.
5. Vidangez l'eau du réservoir en ouvrant le robinet de vidange situé en bas du réservoir.

▲ AVERTISSEMENT

L'eau dans le réservoir d'air peut condenser. Si l'eau n'est pas vidangée, cela risque de corroder et d'affaiblir le réservoir d'air, produisant ainsi un risque de rupture du réservoir d'air.

6. Une fois la vidange de l'eau terminée, fermez le robinet de vidange. Le compresseur d'air peut maintenant être rangé.

REMARQUE : Si le robinet de vidange est fermé, libérez tout l'air pressurisé. Le robinet de vidange peut alors être enlevé, nettoyé et réinstallé.



Compresseur d'air portatif

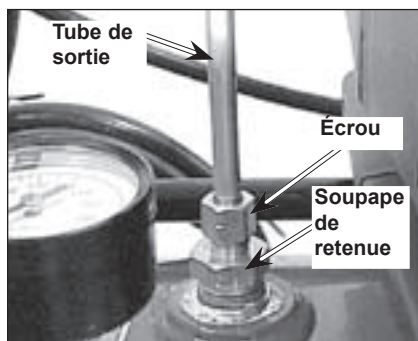
Entretien et réglages

▲ AVERTISSEMENT *Le compresseur d'air fonctionne automatiquement lorsqu'il est sous tension. En effectuant l'entretien, vous pourriez être exposé aux sources de tension, à de l'air comprimé ou aux pièces en mouvement et subir ainsi des blessures corporelles. Avant de procéder à tout entretien ou réparation, débranchez le compresseur et purgez tout l'air pressurisé.*

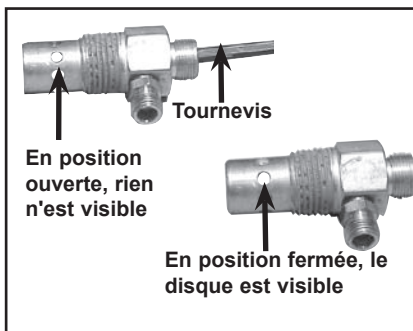
TOUS LES SERVICES D'ENTRETIEN NE FIGURANT PAS ICI DOIVENT ÊTRE EXÉCUTÉS PAR UN TECHNICIEN QUALIFIÉ.

REPLACEMENT OU NETTOYAGE DE LA SOUPAPE DE RETENUE

1. Déchargez tout l'air pressurisé du réservoir d'air. Voir la partie intitulée "Vidange du réservoir" de la section sur l'entretien.
2. Débranchez le compresseur d'air.
3. Desserrez l'écrou sur le tube de sortie et mettez le tube de côté.
4. À l'aide d'une clé à douille, dévissez la soupape de retenue (en tournant dans le sens contraire des aiguilles d'une montre).



5. Assurez-vous que le disque de soupape se déplace librement à l'intérieur de la soupape de retenue et que la tension du ressort retient le disque en position élevée et fermée. La soupape de retenue peut être nettoyée à l'aide d'un solvant, tel qu'un décapant à peinture et vernis.



6. Appliquez un produit d'étanchéité sur les filets de la soupape. Réinstallez la soupape de retenue (en tournant dans le sens des aiguilles d'une montre).
7. Remplacez le tube de sortie et resserrez l'écrou.
8. Effectuez la procédure de rodage. Voir la partie intitulée "Procédures de rodage" de la section sur l'utilisation.

Remplacement du régulateur

1. Déchargez tout l'air pressurisé du réservoir d'air. Voir la partie intitulée "Vidange du réservoir" de la section sur l'entretien.
2. Débranchez le compresseur d'air.
3. À l'aide d'une clé réglable, retirez du régulateur les manomètres et le raccord à connexion rapide.
4. Retirez le régulateur.
5. Appliquez du ruban d'étanchéité sur le mamelon du tuyau.
6. Assemblez le régulateur et orientez-le tel qu'illustré.

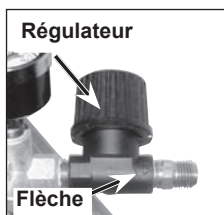


Compresseur d'air portatif

Remplacement du régulateur (suite)

REMARQUE : La flèche indique le sens du débit d'air. Assurez-vous qu'elle est dirigée dans la direction du débit d'air.

7.



Appliquez un produit d'étanchéité aux manomètres et au raccord à connexion rapide.

8. Assemblez les manomètres et le raccord à connexion rapide. Orientez les manomètres de façon à ce qu'ils indiquent la pression correcte. Serrez le raccord à l'aide d'une clé.

Rangement

⚠ AVERTISSEMENT *L'eau dans le réservoir d'air peut condenser. Si le réservoir n'est pas vidangé, l'eau corrodera et affaiblira les parois du réservoir d'air, causant ainsi un risque d'éclatement du réservoir.*

Avant de ranger le compresseur d'air, effectuez les étapes suivantes :

1. Revoyez la section intitulée "Entretien" des pages précédentes et exécutez l'entretien requis.

2. Placez le levier "On/Auto/Off" à la position "OFF".
3. Tournez le régulateur dans le sens contraire des aiguilles d'une montre et réglez la pression de sortie à zéro.
4. Débranchez l'outil pneumatique ou l'accessoire.
5. Tirez l'anneau de la soupape de sûreté pour purger l'air du réservoir jusqu'à ce que la pression dans le réservoir soit d'environ 20 lb/po². Relâchez l'anneau de la soupape de sûreté.
6. Vidangez l'eau du réservoir d'air en ouvrant le robinet de vidange situé en bas du réservoir.
7. Une fois la vidange de l'eau terminée, fermez le robinet de vidange.

REMARQUE : Si le robinet de vidange est engorgé, libérez tout l'air pressurisé. Le robinet de vidange peut alors être enlevé, nettoyé et réinstallé.

8. Protégez le cordon électrique et le boyau d'air contre tout dommage (de façon à ce qu'ils ne soient pas coincés ou écrasés). Enroulez-les, sans contrainte, autour de la poignée du compresseur d'air (le cas échéant).

Rangez le compresseur d'air dans un endroit propre et sec.



Compresseur d'air portatif

⚠ AVERTISSEMENT *En effectuant des réparations au compresseur, il se peut que vous soyez exposé aux sources de tension, aux pièces mobiles ou aux sources d'air comprimé qui risquent de causer des blessures corporelles. Débranchez le compresseur avant d'entamer toute réparation.*

Tableau de dépannage

Symptôme	Causes possibles	Action corrective
Pression excessive - la soupape de sûreté se soulève.	1. Le manostat n'arrête pas le moteur lorsque le compresseur d'air atteint la "pression de rupture".	1. Déplacez le levier "On/Auto/Off" à la position "OFF". Si l'appareil ne s'arrête pas, contactez un technicien qualifié.
	2. La "pression de rupture" du manostat est trop élevée.	2. Contactez un technicien qualifié.
Fuites d'air aux raccords.	1. Les raccords des tubes ne sont pas assez serrés.	1. Resserrez les raccords là où on peut entendre l'air s'échapper. Vérifiez les raccords à l'aide d'une solution d'eau savonneuse. Ne pas trop serrer.
Fuites d'air au réservoir d'air ou aux soudures du réservoir.	1. Réservoir d'air défectueux.	1. Le réservoir d'air doit être remplacé. Ne tentez pas de réparer les fuites.
<p>⚠ AVERTISSEMENT <i>Ne pas percer, souder ni modifier autrement le réservoir d'air. Le réservoir risque de s'affaiblir et peut éclater ou exploser.</i></p>		
Fuites d'air entre la tête et la plaque de la soupape.	1. Joint d'étanchéité accusant une fuite.	1. Contactez un technicien qualifié.
Fuite d'air à la soupape de sûreté.	1. Défectuosité possible dans la soupape de sûreté.	1. Faites fonctionner la soupape manuellement en tirant sur l'anneau. Si les fuites ne sont pas éliminées, la soupape devrait être remplacée.
Cognements.	1. Défectuosité possible dans la soupape de sûreté.	1. Faites fonctionner la soupape manuellement en tirant sur l'anneau. Si les fuites ne sont pas éliminées, la soupape devrait être remplacée.



Compresseur d'air portatif

Symptôme	Causes possibles	Action corrective
Le relevé de pression sur le manomètre du régulateur tombe lorsqu'un accessoire est utilisé.	1. Une légère chute de pression est considérée normale.	1. S'il y a une chute excessive de pression lorsqu'un accessoire est utilisé, ajustez le régulateur en suivant les directives du paragraphe intitulé "Description du fonctionnement" de la section sur l'utilisation. REMARQUE : Ajustez la pression du régulateur lorsqu'il y a un débit d'air (c.-à-d., pendant l'utilisation d'un accessoire).
Le compresseur d'air ne fournit pas suffisamment d'air pour faire fonctionner les accessoires.	1. Utilisation prolongée et excessive de l'air. 2. Le compresseur n'est pas assez gros pour la quantité d'air requise. 3. Trou dans le boyau. 4. Soupape de retenue obstruée. 5. Fuites d'air.	1. Diminuez la quantité d'air utilisé. 2. Vérifiez les exigences en air de l'accessoire. Si elles sont plus élevées que la valeur SCFM (pi^3/min) ou la pression produite par le compresseur, vous avez besoin d'un compresseur plus gros. 3. Vérifiez et remplacez le boyau au besoin. 4. Retirez et nettoyez ou remplacez la soupape de retenue. 5. Serrez les raccords.
Fuite d'air continue au bouton du régulateur.	1. Régulateur endommagé.	1. Remplacez le régulateur.
Le régulateur ne ferme pas l'orifice de sortie d'air.	1. Régulateur endommagé	1. Remplacez le régulateur.



Compresseur d'air portatif

Symptôme	Causes possibles	Action corrective
Le moteur ne tourne pas.	1. Fusible sauté ou coupe-circuit déclenché.	1a. Vérifiez s'il y a un fusible sauté dans la boîte à fusibles et remplacez-le au besoin. Rétablissez le coupe-circuit. Ne pas utiliser un fusible ou un coupe-circuit à valeur nominale supérieure à la valeur spécifiée pour le circuit de dérivation utilisé. b. Vérifiez si le fusible est du type approprié. Vous devriez utiliser un fusible retardé. c. Vérifiez s'il y a une condition de tension basse. d. Vérifiez la rallonge. e. Déconnectez tout autre appareil électrique du circuit ou branchez le compresseur sur son propre circuit de dérivation.
	1. Rallonge de longueur ou de calibre inapproprié.	1. Vérifiez la rallonge.
	2. Connexions électriques desserrées.	2. Vérifiez les connexions de câblage dans la boîte à bornes.
	3. Moteur défectueux.	3. Faire vérifier par un technicien qualifié.



Compresseur d'air portatif

GARANTIE LIMITÉE

GARANTIE LIMITÉE DE UN AN DE WESTWARD. Westward garantit les modèles de compresseur d'air Westward indiqués dans ce manuel contre les défauts de fabrication ou de matériels dans des conditions d'utilisation normales pendant une durée d'un an à compter de la date d'achat par l'acquéreur initial. Toute pièce ayant un défaut de fabrication ou matériel et renvoyée à un centre de service autorisé, désigné par Grainger International, frais de transport prépayés, sera soit réparée ou remplacée à la discrétion de Westward. Pour plus de détails sur les procédures de recours en garantie, voir le paragraphe **DISPOSITION DE RAPIDITÉ** ci-dessous. Cette garantie limitée donne des droits juridiques spécifiques à l'acquéreur. Ces droits varient d'une juridiction à l'autre.

LIMITATION DE RESPONSABILITÉ. Jusque dans la mesure où les lois sont applicables, Westward dénie formellement toute responsabilité en cas de dommages directs et indirects. La responsabilité de Westward se limite au prix d'achat payé et ne doit pas le dépasser, et ce dans tous les cas.

DÉSISTEMENT DE GARANTIE. Westward a fait tous les efforts pour fournir des informations exactes sur le produit et l'illustrer de manière précise dans ce manuel. Toutefois, ces informations et illustrations ne servent qu'à des fins d'identification et ne constituent pas ou n'impliquent pas une garantie que ces produits sont **COMMERCIALISABLES** ou **ADAPTABLES À UN USAGE PARTICULIER**, ni que le produit sera nécessairement conforme aux illustrations ou aux descriptions. Sauf dans les cas stipulés ci-dessous, aucune garantie ou affirmation de fait, expresse ou implicite, autre que celle exposée dans la " **GARANTIE LIMITÉE** " ci-dessus, n'est faite ou autorisée par Westward.

ADÉQUATION DU PRODUIT. Plusieurs juridictions ont des codes et règlements qui régissent les ventes, la fabrication, l'installation et/ou l'utilisation de produits à certaines fins. Ces codes et règlements peuvent varier selon les régions. Même si Westward essaie d'assurer que ses produits respectent ces codes, elle ne peut garantir leur conformité et ne peut être tenue responsable de la manière dont ces produits sont installés ou utilisés. Avant d'acheter et d'utiliser un produit, étudiez les applications du produit ainsi que tous les codes et règlements locaux et nationaux applicables et assurez-vous que le produit, son installation et son utilisation s'y conforment.

Certains aspects de désistement ne s'appliquent pas aux produits de consommation; c.-à-d. (a) Certaines juridictions ne permettent pas l'exclusion ou la limitation des dommages directs ou indirects. Donc, la limitation ou exclusion ci-dessus peut ne pas être effective pour vous. (b) Certaines juridictions ne permettent pas de limitation sur la durée d'une garantie implicite, par conséquent la limitation ci-dessus peut ne pas être effective pour vous. (c) De par la loi, durant la période de la garantie limitée, toutes garanties implicites de commercialité ou d'adaptation à un usage particulier implicite s'appliquant à des produits de consommation achetés par des consommateurs, pourraient ne pas être exclues ou déniées de toute autre façon.

DISPOSITION DE RAPIDITÉ. Westward fera tous les efforts pour apporter rapidement une correction ou tout autre ajustement à tout produit défectueux pendant la durée de la garantie limitée. Pour tout produit jugé défectueux pendant la durée de la garantie limitée, écrivez ou téléphonez d'abord au fournisseur où le produit a été acheté. Le fournisseur vous donnera des directives supplémentaires. S'il ne peut résoudre le problème de manière satisfaisante, écrivez à Westward, à l'adresse indiquée ci-dessous, en donnant le nom, l'adresse, la date et le numéro de la facture du fournisseur et décrivez la nature du problème. L'acheteur détient le titre de propriété et le risque de perte lui appartient aussitôt que le produit est livré à un transporteur général. Si le produit est endommagé durant le transport, faites une réclamation auprès du transporteur.

**Fabriqué pour Grainger International Inc.,
100 Grainger Parkway, Lake Forest Illinois 60045 U.S.A.**

WESTWARD®**Compresseur d'air portatif**

**Pour des pièces de rechange, appeler le 1-800-323-0620
24 heures sur 24 - 365 jours par an.**

Veillez fournir les indications suivantes :

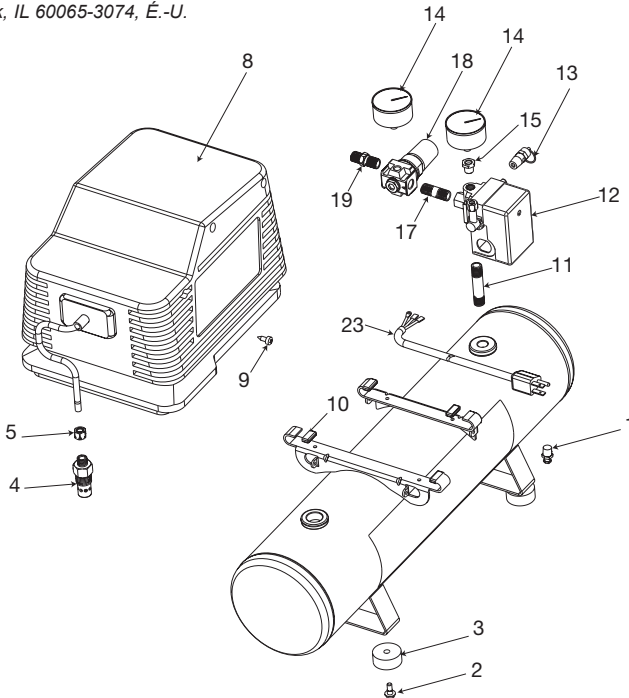
- Numéro du modèle
- Numéro de série (s'il y en a un)
- Descriptions et numéros des pièces comme indiqués sur la liste des pièces.

*Envoyer la correspondance au sujet des pièces de rechange à
Grainger Parts*

P.O. BOX 3074

1657 Shermer Road

Northbrook, IL 60065-3074, É.-U.





Compresseur d'air portatif

Liste des pièces

Article n°	Description	Pièce n°	Qté
1	Soupape de vidange	A06891	1
2	Vis 1/4 - 20 x .750	91895680	4
3	Pare-chocs en caoutchouc encastré	SST-5314-1	4
4	Soupape de retenue	D24879	1
5	Manchon fileté	SSP-473	1
8	Ensemble de pompe	-----	1
9	Vis 1/4 - 14 x .625	SSF-621	2
10	Isolateur de pompe	CAC-1254	4
11	Mamelon 1/4-18 NPT x 2.50	SSP-480	1
12	Manostat	Z-D27227	1
13	Soupape de sûreté	D20114	1
14	Manomètre de 2 po	Z-GA-373	2
15	Manchon réducteur 1/8-1/4 NP	SSP-6021	1
17	Mamelon 1/4-18 NPT x 1.5	SS-1286	1
18	Régulateur	CAC-4296-1	1
19	Adaptateur 1/4 NPT x 1/4 NPSM	D26889	1
23	Ensemble de cordon	D26618	1



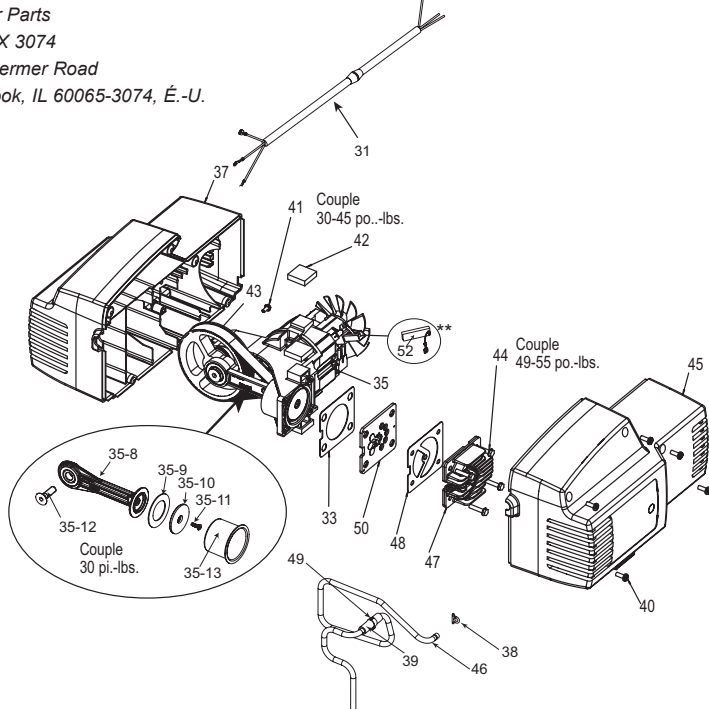
Compresseur d'air portatif

**Pour des pièces de rechange, appeler le 1-800-323-0620
24 heures sur 24 - 365 jours par an.**

Veillez fournir les indications suivantes :

- Numéro du modèle
- Numéro de série (s'il y en a un)
- Descriptions et numéros des pièces comme indiqués sur la liste des pièces.

*Envoyer la correspondance au sujet des pièces de rechange à
Grainger Parts
P.O. BOX 3074
1657 Shermer Road
Northbrook, IL 60065-3074, É.-U.*



**BALAIS DE RECHANGE POUR MOTEURS

Le numéro du moteur et le nom du fournisseur sont estampés sur la colonne du moteur. Il faut identifier les deux avant de commander les balais de rechange. Le numéro de pièce du moteur est à titre de référence seulement. Le moteur n'est pas disponible pour le service d'entretien.

<u>Moteur</u>	<u>Fournisseur</u>	<u>Jeu de balais</u>
M0-9088	Northland	Z-D20041
D23494	GS Electric (Ametek)	Z-D23825
D29398	GS Electric (Ametek)	Z-D23825
D30106	GS Electric (Ametek)	Z-D23825
D27098	ECM (Gold Tuning)	Z-D27196



Compresseur d'air portatif

Liste des pièces

Article n°	Description	Pièce n°	Qté
31	Ensemble de cordon	A00766	1
33	▲ Joint	-----	1
35	Ensemble de sous-pompe	Z-A04615	1
35-8	■ Ensemble de tige	-----	1
35-9	+ Segment de compression préformé	-----	1
35-10	+ Capuchon de la pièce de liaison	-----	1
35-11	+ Vis #10-24	D21127	1
35-12	● Vis 3/8-16 UNC	SSF-3147	1
35-13	+ ■ Chemise de cylindre	-----	1
37	★ Protecteur (gauche)	-----	1
38	▲ Scellant pour tube	CAC-1212	1
39	Isolateur de tube	AC-0206	1
40	● Vis du protecteur 10-14 x .750	D29132	5
41	● Vis 8-32 x .375/.344	SUDL-9-1	1
42	Isolateur de pompe	D25731	5
43	Courroie synchrone	AC-0815	1
44	● Vis 10-24 x 7/8	SSF-995	4
45	★ Protecteur (droit)	-----	1
46	Tube de sortie	DAC-269	1
47	Culasse	D25877	1
48	▲ Joint de culasset	Z-D24819	1
49	Collier de boyau	CAC-1206-1	1
50	Ensemble de plaque porte-soupape	Z-A08548	1
52	** Balais de rechange pour moteur (Ensemble de 2)	-----	1

Not Illustrated

★	Trousse de protecteur gauche/droit	A06436
▲	Trousse de joints d'étanchéité et de joints	D30139
●	Trousse d'attache	KK-4929
■	Trousse de bielle	KK-4964
+	Trousse de segment	D30324
	Guide d'utilisation	A08588



Compresseur d'air portatif
