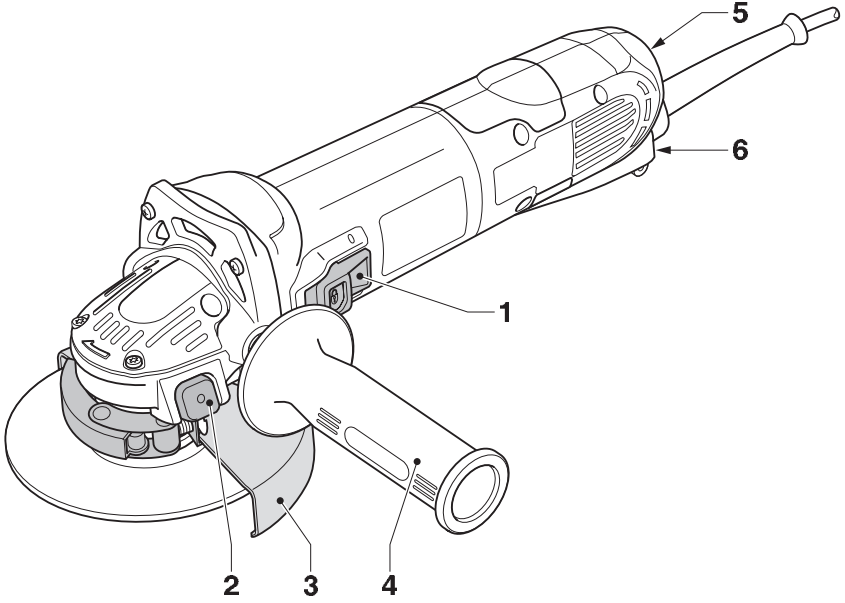


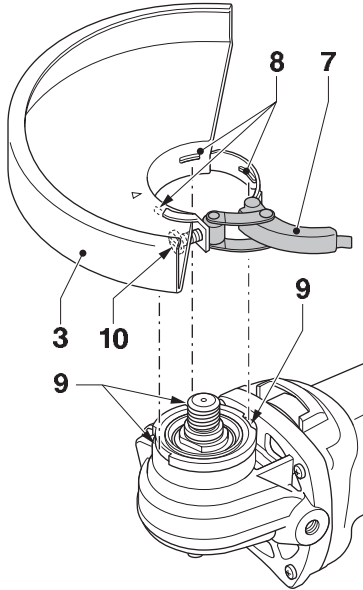
DEWALT®

D28112

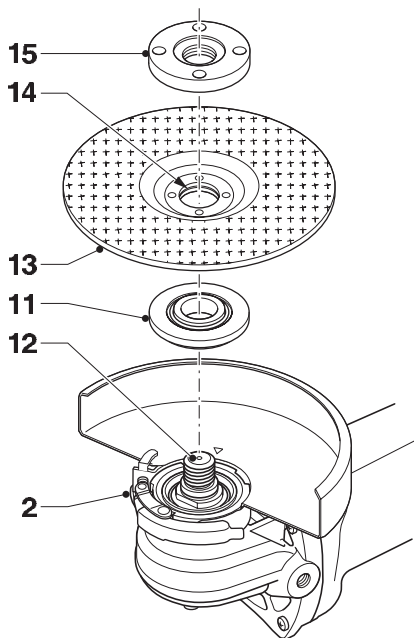
D28136



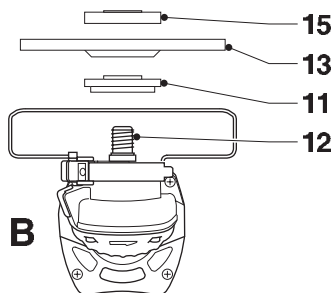
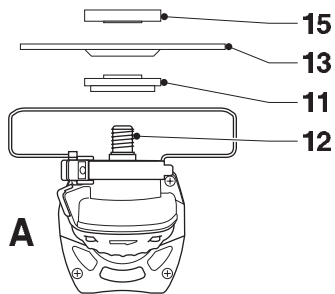
A



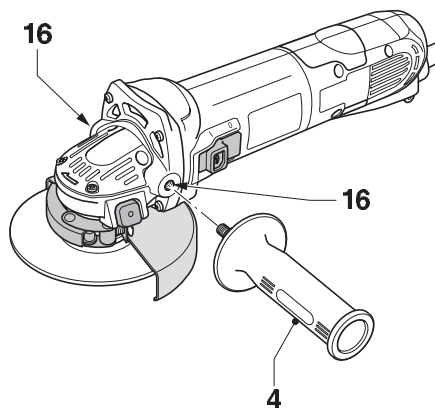
B



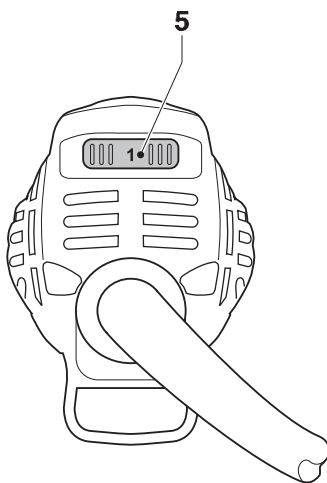
C1



C2



D



E

ANGLE GRINDER

D28112/D28136

Congratulations!

You have chosen a DeWALT tool. Years of experience, thorough product development and innovation make DeWALT one of the most reliable partners for professional power tool users.

Technical data

		D28112	D28136
Voltage	V	120/220	120/220
Power input	W	1,100	1 400
No-load speed	min ⁻¹	11 000	2 800-10 000
Wheel diameter	mm	115	115
Spindle diameter		M14	M14
Weight	kg	1.9	2.1

The following symbols are used throughout this manual:



Denotes risk of personal injury, loss of life or damage to the tool in case of non-observance of the instructions in this manual.



Denotes risk of electric shock.



Fire hazard.

General safety rules

Warning! Read all instructions. Failure to follow all instructions listed below may result in electric shock, fire and/or serious injury. The term „power tool“ in all of the warnings listed below refers to your mains operated (corded) power tool or battery operated (cordless) power tool. **SAVE THESE INSTRUCTIONS.**

1 Work area

- a Keep work area clean and well lit.** Cluttered and dark areas invite accidents.
- b Do not operate power tools in explosive atmospheres, such as in the presence of flammable liquids, gases or dust.** Power tools create sparks which may ignite the dust or fumes.
- c Keep children and bystanders away while operating a power tool.** Distractions can cause you to lose control.

2 Electrical safety

- a Power tool plugs must match the outlet. Never modify the plug in any way. Do not use any adapter plugs with earthed (grounded) power tools.** Unmodified plugs and matching outlets will reduce risk of electric shock.
- b Avoid body contact with earthed or grounded surfaces such as pipes, radiators, ranges and refrigerators.** There is an increased risk of electric shock if your body is earthed or grounded.
- c Do not expose power tools to rain or wet conditions.** Water entering a power tool will increase the risk of electric shock.
- d Do not abuse the cord. Never use the cord for carrying, pulling or unplugging the power tool. Keep cord away from heat, oil, sharp edges or moving parts.** Damaged or entangled cords increase the risk of electric shock.
- e When operating a power tool outdoors, use an extension cord suitable for outdoor use.** Use of a cord suitable for outdoor use reduces the risk of electric shock.

3 Personal safety

- a Stay alert, watch what you are doing and use common sense when operating a power tool. Do not use a power tool while you are tired or under the influence of drugs, alcohol or medication.** A moment of inattention while operating power tools may result in serious personal injury.
- b Use safety equipment. Always wear eye protection.** Safety equipment such as dust mask, non-skid safety shoes, hard hat, or hearing protection used for appropriate conditions will reduce personal injuries.
- c Avoid accidental starting. Ensure the switch is in the off position before plugging in.** Carrying power tools with your finger on the switch or plugging in power tools that have the switch on invites accidents.
- d Remove any adjusting key or wrench before turning the power tool on.** A wrench or a key left attached to a rotating part of the power tool may result in personal injury.
- e Do not overreach. Keep proper footing and balance at all times.** This enables better control of the power tool in unexpected situations.
- f Dress properly. Do not wear loose clothing or jewellery. Keep your hair, clothing and gloves away from moving parts.** Loose clothes, jewellery or long hair can be caught in moving parts.
- g If devices are provided for the connection of dust extraction and collection facilities, ensure these are connected and properly used.** Use of these devices can reduce dust related hazards.

4 Power tool use and care

- a Do not force the power tool. Use the correct power tool for your application.** The correct power tool will do the job better and safer at the rate for which it was designed.
- b Do not use the power tool if the switch does not turn it on and off.** Any power tool that cannot be controlled with the switch is dangerous and must be repaired.
- c Disconnect the plug from the power source before making any adjustments, changing accessories, or storing power tools.** Such preventive safety measures reduce the risk of starting the power tool accidentally.

- d **Store idle power tools out of the reach of children and do not allow persons unfamiliar with the power tool or these instructions to operate the power tool.** Power tools are dangerous in the hands of untrained users.
- e **Maintain power tools. Check for misalignment or binding of moving parts, breakage of parts and any other condition that may affect the power tools operation. If damaged, have the power tool repaired before use.** Many accidents are caused by poorly maintained power tools.
- f **Keep cutting tools sharp and clean.** Properly maintained cutting tools with sharp cutting edges are less likely to bind and are easier to control.
- g **Use the power tool, accessories and tool bits etc., in accordance with these instructions and in the manner intended for the particular type of power tool, taking into account the working conditions and the work to be performed.** Use of the power tool for operations different from those intended could result in a hazardous situation.

5 Service

- a **Have your power tool serviced by a qualified repair person using only identical replacement parts.** This will ensure that the safety of the power tool is maintained.

Additional safety rules for grinders

- Your grinder has been designed for grinding and cutting masonry and steel.



Do not cut or grind light metal with a magnesium content exceeding 80% since this type of metal is flammable.

- Do not use any accessories other than fibre reinforced grinding and cutting discs.
- Use only plain or centre-recessed grinding and cutting discs.
- Use the grinding and cutting discs recommended by the manufacturer only.
- The max. allowable speed of the grinding wheel or cutting disc, or any other suitable accessory, must always be equal to or greater than the no-load speed of the tool specified on the nameplate.
- Do not cut workpieces requiring a maximum depth of cut exceeding that of the cutting disc.

- Do not use grinding and cutting discs that do not conform to the dimensions stated in the technical data. Do not use any spacers to make a disc fit onto the spindle.
- Inspect grinding and cutting discs before each use. Do not use chipped, cracked or otherwise defective discs.
- If provided, ensure that blotters are used when the disc is fitted onto the spindle.
- When applying a threaded hole disc, ensure that the thread is long enough to accept the spindle.
- Ensure that the grinding or cutting disc is mounted correctly before use.
- Let the tool run at no-load in a safe position for at least 30 seconds. If there is a considerable vibration or if any other defect occurs, stop the tool and check it to determine the cause.
- Do not operate this tool without the guard in place.
- Check that the workpiece is properly supported.
- Do not operate the tool near flammable liquids, gases or dust. Sparks or hot chips from cutting or arcing motor brushes may ignite combustible materials.
- Do not operate the tool while standing in line with the disc. Keep other persons away from the work area.
- Do not use cutting discs for side grinding.
- Do not operate the spindle lock while the tool is running.
- Beware that after switching off the tool the wheel continues to rotate for a short period.
- Always store grinding and cutting discs in a dry place.
- Ensure that the ventilation openings are kept clear when working in dusty conditions. If it should become necessary to clear the ventilation openings, disconnect the tool from the mains supply first and avoid damaging the internal parts by using non-metallic objects.
- Always wear eye and ear protection. Preferably wear other personal protective equipment such as dust mask, gloves and a helmet.

Using flap discs



Warning: Metal dust build-up

- Extensive use of flap discs in metal applications can result in the increased potential for electric shock. To reduce this risk, insert an RCD before use and clean the ventilation slots daily by blowing dry compressed air into the ventilation slots in accordance with the below maintenance instructions.

Labels on tool

The following pictographs are shown on the tool:



Read the instruction manual before use



Wear safety glasses



Wear ear protection

Package contents

The package contains:

- 1 Angle grinder
 - 1 Guard
 - 1 Side handle
 - 1 Flange set
 - 1 Wrench
 - 1 Instruction manual
- Check for damage to the tool, parts or accessories which may have occurred during transport.
 - Take the time to thoroughly read and understand this manual prior to operation.

Description (fig. A)

Your angle grinder D28112/D28136 has been designed for professional grinding and cutting applications.

- 1 On/off switch
- 2 Spindle lock
- 3 Guard
- 4 Side handle
- 5 Electronic variable speed control (D28136 only)
- 6 Dust ejection outlet

Anti-vibration side handle

The anti-vibration side handle offers added comfort by absorbing the vibrations caused by the tool.

Keyless guard

The keyless guard allows for quick adjustment during the application to enhance application versatility.

Dust ejection system

The dust ejection system prevents dust pile-up around the guard and motor inlet, and minimises the amount of dust entering the motor housing.

D28136 -

Soft start feature

The soft start feature allows a slow speed build-up to avoid an initial jerk when starting. This feature is particularly useful when working in confined spaces.

D28136 -

Electronic variable speed control

The electronic variable speed control offers added tool control and enables the tool to be used at optimum conditions to suit the accessory and material.

Clutch (D28136)

The torque limiting clutch reduces the maximum torque reaction transmitted to the operator in case of jamming of a cutting disc. This feature also prevents the gearing and electric motor from stalling. The torque limiting clutch has been factory-set and cannot be adjusted.

No-volt release switch (D28136)

The on/off switch has a no-volt release function: should the power be shut off for some reason, the switch has to be deliberately reactivated.

Overload protection (D28136)

The power supply to the motor will be reduced in case of motor overload. The power will return to normal once the tool has cooled down to suitable operating temperature.

Electrical safety

The electric motor has been designed for one voltage only. Always check that the power supply corresponds to the voltage on the rating plate.



Your DEWALT tool is double insulated in accordance with EN 50144; therefore no earth wire is required.

Using an extension cable

If an extension cable is required, use an approved extension cable suitable for the power input of this tool (see technical data). The minimum conductor size is 1.5 mm².

When using a cable reel, always unwind the cable completely.

Also refer to the table below.

Conductor size (mm ²)		Cable rating (Amperes)					
0.75		6					
1.00		10					
1.50		15					
2.50		20					
4.00		25					
		Cable length (m)					
		7.5	15	25	30	45	60
Voltage	Amperes	Cable rating (Amperes)					
120	0 - 2.0	6	6	6	6	6	10
	2.1 - 3.4	6	6	6	6	15	15
	3.5 - 5.0	6	6	10	15	20	20
	5.1 - 7.0	10	10	15	20	20	25
	7.1 - 12.0	15	15	20	25	25	-
220	12.1 - 20.0	20	20	25	-	-	-
	0 - 2.0	6	6	6	6	6	6
	2.1 - 3.4	6	6	6	6	6	6
	3.5 - 5.0	6	6	6	6	10	15
	5.1 - 7.0	10	10	10	10	15	15
	7.1 - 12.0	15	15	15	15	20	20
	12.1 - 20.0	20	20	20	20	25	-

Assembly and adjustment



Prior to assembly and adjustment always unplug the tool.

Mounting and removing the guard (fig. B)

D28136

- Place the angle grinder on a table, spindle up.
- Release the clamping lock (7) and hold the guard (3) over the tool as shown.
- Align the lugs (8) with the notches (9).
- Press the guard down and rotate it to the required position.
- If required, increase the clamping force by tightening the screw (10).
- Tighten the clamping lock.
- To remove the guard, release the clamping lock.



Never use the tool without the guard in place.

Fitting and removing a grinding or cutting disc (fig. C1 & C2)

- Place the tool on a table, guard up.
- Fit the inner flange (11) correctly onto the spindle (12) (fig. C1).
- Place the disc (13) on the flange (11). When fitting a disc with a raised center, make sure that the raised centre (14) is facing the flange (11).
- Screw the outer flange (15) onto the spindle (12) (fig. C2):
 - the ring on the flange (15) must face towards the disc when fitting a grinding disc (A);
 - the ring on the flange (15) must face away from the disc when fitting a cutting disc (B).
- Press the spindle lock (2) and rotate the spindle (12) until it locks in position.
- Tighten the flange (15) with the two-pin spanner supplied.
- Release the spindle lock.
- To remove the disc, loosen the flange (15) with the two-pin spanner.



Do not use a damaged disc.

Mounting the side handle (fig. D)

- Screw the side handle (4) tightly into one of the holes (16) on either side of the gear case.

D28136 - Setting the electronic speed control (fig. E)

- Turn the dial (5) to the desired level. Turn the dial upwards for higher speed and downwards for lower speed. The required setting is a matter of experience. E.g.:
 - when cutting in soft, brittle materials, set the dial to a low setting;
 - when cutting in harder materials, set the dial to a high setting.

Instructions for use



- Always observe the safety instructions and applicable regulations.
- Ensure all materials to be ground or cut are secured in place.
- Apply only a gentle pressure to the tool. Do not exert side pressure on the disc.
- Avoid overloading. Should the tool become hot, let it run a few minutes under no load condition.

Prior to operation:

- Install the guard and appropriate disc or wheel. Do not use excessively worn discs or wheels.
- Be sure the inner and outer flange are mounted correctly.
- Make sure the disc or wheel rotates in the direction of the arrows on the accessory and the tool.

Switching on and off (fig. A)

- To run the tool, press the on/off switch (1).
- For continuous operation, press the switch completely forward.
- To stop the tool, release the switch. To stop the tool in continuous operation, press on the back part of the switch.



Do not switch the tool on or off when under load.

Metal applications

- When using the tool in metal applications, make sure that a residual current device (RCD) has been inserted to avoid residual risks caused by metal swarf.
- If the power supply is shut off by the RCD, take the tool to authorised DEWALT repair agent. In extreme working conditions, conductive dust can accumulate inside the machine housing when working with metal. This can result in the protective insulation in the machine becoming degraded with a potential risk of an electrical shock.



To avoid build-up of metal swarf inside the machine, we recommend to clear the ventilation slots on a daily basis. See "Maintenance".

Using flap discs



Warning: Metal dust build-up

- Extensive use of flap discs in metal applications can result in the increased potential for electric shock. To reduce this risk, insert an RCD before use and clean the ventilation slots daily by blowing dry compressed air into the ventilation slots in accordance with the below maintenance instructions.

Optional accessories

Consult your dealer for further information on the appropriate accessories.

Maintenance

Your DEWALT power tool has been designed to operate over a long period of time with a minimum of maintenance. Continuous satisfactory operation depends upon proper tool care and regular cleaning.

Pop-off brushes

The motor will be automatically shut off indicating that the carbon brushes are nearly worn out and that the tool needs servicing. The carbon brushes are not user-serviceable. Take the tool to an authorised DEWALT repair agent.



Lubrication

Your power tool requires no additional lubrication.



Cleaning

Keep the ventilation slots clear and regularly clean the housing with a soft cloth.

Clearing the ventilation slots

To avoid build-up of dust inside the machine, we recommend to clear the ventilation slots on a daily basis.

- Unplug the machine.
- Blow dry compressed air through the ventilation slots.
- Clear the ventilation slots using a soft brush or dry cloth. Do not use metallic objects as these might damage the internal parts.

Protecting the environment



Separate collection. This product must not be disposed of with normal household waste.

Should you find one day that your DEWALT product needs replacement, or if it is of no further use to you, do not dispose of it with household waste. Make this product available for separate collection.



Separate collection of used products and packaging allows materials to be recycled and used again. Re-use of recycled materials helps prevent environmental pollution and reduces the demand for raw materials.

Local regulations may provide for separate collection of electrical products from the household, at municipal waste sites or by the retailer when you purchase a new product.

DEWALT provides a facility for the collection and recycling of DEWALT products once they have reached the end of their working life. To take advantage of this service please return your product to any authorised repair agent who will collect them on our behalf.

AMOLADORA ANGULAR

D28112/D28136

¡Enhorabuena!

Usted ha optado por una herramienta DEWALT. Muchos años de experiencia y una gran asiduidad en el desarrollo y la innovación de sus productos han convertido DEWALT en un socio muy fiable para el usuario profesional.

Características técnicas

		D28112	D28136
Voltaje	V	120/220	120/220
Potencia absorbida	W	1,100	1 400
Velocidad en vacío	min ⁻¹	11 000	2 800-10 000
Diámetro del disco	mm	115	115
Diámetro del eje		M14	M14
Peso	kg	1.9	2.1

En el presente manual figuran los pictogramas siguientes:



Indica peligro de lesiones, de accidentes mortales o de averías en la herramienta en caso de no respeto de las instrucciones en este manual.



Indica tensión eléctrica.



Peligro de incendio.

Normas de seguridad generales

¡Atención! Lea íntegramente estas instrucciones.

En caso de no atenerse a las instrucciones de seguridad siguientes, ello puede dar lugar a una descarga eléctrica, incendio o lesión grave. El término “herramienta eléctrica” empleado en las advertencias indicadas a continuación se refiere a la herramienta eléctrica con alimentación de red (con cable) o alimentada por batería (sin cable).
GUARDE ESTAS INSTRUCCIONES EN UN LUGAR SEGURO.

1 Área de trabajo

a Mantenga limpia y bien iluminada el área de trabajo. El desorden y una iluminación deficiente en las áreas de trabajo pueden provocar accidentes.

b No utilice la herramienta eléctrica en un entorno con peligro de explosión, en el que se encuentren combustibles líquidos, gases o material en polvo. Las herramientas eléctricas producen chispas que pueden llegar a inflamar los materiales en polvo o vapores.

c Mantenga alejados a los niños y otras personas del área de trabajo al emplear la herramienta eléctrica. Una distracción le puede hacer perder el control sobre el aparato.

2 Seguridad eléctrica

a El enchufe del aparato debe corresponder a la toma de corriente utilizada. No es admisible modificar el enchufe en forma alguna. No emplee adaptadores en aparatos dotados con una toma de tierra. Los enchufes sin modificar adecuados a las respectivas tomas de corriente reducen el riesgo de una descarga eléctrica.

b Evite que su cuerpo toque partes conectadas a tierra como tuberías, radiadores, cocinas y refrigeradores. El riesgo a quedar expuesto a una sacudida eléctrica es mayor si su cuerpo tiene contacto con tierra.

c No exponga las herramientas eléctricas a la lluvia y evite que penetren líquidos en su interior. Existe el peligro de recibir una descarga eléctrica si penetran ciertos líquidos en la herramienta eléctrica.

d Cuide el cable de alimentación No utilice el cable de red para transportar o colgar el aparato, ni tire de él para sacar el enchufe de la toma de corriente. Mantenga el cable de red alejado del calor, aceite, bordes afilados o piezas móviles. Los cables de red dañados o enredados pueden provocar una descarga eléctrica.

e Al trabajar con la herramienta eléctrica en la intemperie utilice solamente cables de prolongación homologados para su uso en exteriores. La utilización de un cable de prolongación adecuado para su uso en exteriores reduce el riesgo de una descarga eléctrica.

3 Seguridad personal

a Esté atento a lo que hace y emplee la herramienta eléctrica con prudencia. No utilice la herramienta eléctrica si estuviese cansado, ni tampoco después de haber consumido alcohol, drogas o medicamentos. El no estar atento durante el uso de una herramienta eléctrica puede provocarle serias lesiones.

b Utilice un equipo de protección y en todo caso unas gafas de protección. El riesgo a lesionarse se reduce considerablemente si, dependiendo del tipo y la aplicación de la herramienta eléctrica empleada, se utiliza un equipo de protección adecuado como una mascarilla antipolvo, zapatos de seguridad con suela antideslizante, casco, o protectores auditivos.

c Evite una puesta en marcha fortuita del aparato. Compruebe que el interruptor está en la posición de apagado antes de enchufar la herramienta. Transportar la herramienta eléctrica con el dedo sobre el interruptor o enchufarla con el interruptor encendido puede provocar accidentes.

d Retire las herramientas de ajuste o llaves fijas antes de conectar la herramienta eléctrica. Una herramienta o llave colocada en una pieza giratoria puede producir lesiones al ponerse a funcionar.

e Sea precavido. Evite adoptar una posición que fatigue su cuerpo; mantenga un apoyo firme sobre el suelo y conserve el equilibrio en todo momento. Ello le permitirá controlar mejor la herramienta eléctrica en caso de presentarse una situación inesperada.

f Lleve puesta una vestimenta de trabajo adecuada. No lleve vestidos anchos ni joyas. Mantenga su pelo, vestimenta y guantes alejados de las piezas móviles. La vestimenta suelta, las joyas y el pelo largo se pueden enganchar con las piezas en movimiento.

g Siempre que sea posible utilizar unos equipos de aspiración o captación de polvo, asegúrese que éstos estén montados y que sean utilizados correctamente. El empleo de estos equipos reduce los riesgos derivados del polvo.

4 Uso y cuidado de herramientas eléctricas

a No sobrecargue el aparato. Use la herramienta prevista para el trabajo a realizar. Con la herramienta adecuada podrá trabajar mejor y más seguro dentro del margen de potencia indicado.

b No utilice herramientas con un interruptor defectuoso. Las herramientas que no se puedan conectar o desconectar son peligrosas y deben hacerse reparar.

c Saque el enchufe de la red antes de realizar un ajuste en el aparato, cambiar de accesorio o al guardar el aparato. Esta medida preventiva reduce el riesgo de conectar accidentalmente el aparato.

d Guarde las herramientas fuera del alcance de los niños y de las personas que no estén familiarizadas con su uso. Las herramientas utilizadas por personas inexpertas son peligrosas

e Cuide sus aparatos con esmero. Controle si funcionan correctamente, sin atascarse, las partes móviles del aparato, y si existen partes rotas o deterioradas que pudieran afectar al funcionamiento de la herramienta. Si la herramienta eléctrica estuviese defectuosa haga que la reparen antes de volver a utilizarla. Muchos de los accidentes se deben a aparatos con un mantenimiento deficiente.

f Mantenga los útiles limpios y afilados. Los útiles mantenidos correctamente se dejan guiar y controlar mejor.

g Utilice herramientas eléctricas, accesorios, útiles, etc. de acuerdo con estas instrucciones y en la manera indicada específicamente para este aparato. Considere en ello las condiciones de trabajo y la tarea a realizar. El uso de herramientas eléctricas para trabajos diferentes de aquellos para los que han sido concebidas puede resultar peligroso.

5 Servicio técnico

a Haga reparar su herramienta eléctrica sólo por personal técnico autorizado que emplee exclusivamente piezas de repuesto originales. Solamente así se garantiza la seguridad de la herramienta eléctrica.

Normas de seguridad adicionales para amoladoras

- La amoladora se ha diseñado para el amolado y corte de mampostería y acero.



No corte ni amole metales de poca densidad con un contenido en magnesio superior al 80%, ya que este tipo de metales son inflamables.

- No utilice accesorios distintos de las muelas y discos de corte reforzados con fibra.
- Utilice únicamente muelas o discos de corte lisos o ranurados en el centro.
- Utilice exclusivamente muelas y discos de corte recomendados por el fabricante.
- La velocidad máxima de la muela o del disco de corte, o de cualquier otro accesorio apropiado, debe ser siempre igual o superior a la velocidad en vacío impresa en la placa de características de la herramienta.
- No corte piezas que requieran una profundidad máxima de corte superior a la del disco de corte.
- No utilice muelas o discos de corte que no se ajusten a las dimensiones indicadas en la documentación técnica. No utilice espaciadores para encajar el disco en el eje.
- Examine las muelas y los discos de corte antes de cada uso. No utilice discos desportillados, agrietados o con otros defectos.
- Si dispone de ellos, utilice discos abrasivos al encajar el disco en el eje.
- Cuando instale un disco con orificio roscado, asegúrese de que la rosca sea lo suficientemente larga para recibir el eje.

- Compruebe que la muela o el disco de corte esté correctamente instalado antes del uso.
- Ponga en marcha la herramienta sin carga en una posición segura durante 30 segundos como mínimo. Si se produce una vibración excesiva o existe algún otro defecto, pare la herramienta y examínela para descubrir la causa.
- No utilice esta herramienta sin el protector en su sitio.
- Compruebe que la pieza trabajada esté debidamente apoyada.
- No utilice la herramienta cerca de líquidos inflamables, gases o residuos. Las chispas o astillas calientes procedentes de los cepillos mecánicos de corte o ruptura pueden prender los materiales combustibles.
- No utilice la herramienta mientras se encuentre en línea con el disco. No permita que otras personas se acerquen al lugar de trabajo.
- No utilice discos de corte para el amolado lateral.
- No utilice el bloqueo del eje mientras la herramienta está en funcionamiento.
- Tenga cuidado al apagar la herramienta, ya que la muela seguirá girando durante un breve periodo.
- Almacene siempre las muelas y los discos de corte en lugares secos.
- Asegúrese de que las aberturas de ventilación permanezcan despejadas al trabajar en condiciones de polvo excesivo. En caso de que sea necesario desobstruir las aberturas de ventilación, desconecte en primer lugar la herramienta del suministro de red y evite dañar los componentes internos utilizando objetos no metálicos.
- Utilice siempre elementos de protección ocular y auditiva. Preferiblemente, lleve otros equipos de protección personal como máscara para el polvo, guantes y casco.

Uso de discos de aletas



Advertencia: Acumulación de polvo metálico

- El uso abundante de discos de aletas en aplicaciones metálicas puede provocar el aumento del potencial de descarga eléctrica.

Para reducir este riesgo, inserte un dispositivo de corriente residual (RCD) antes del uso y limpie las ranuras de ventilación diariamente, soplando con aire comprimido en las ranuras según las siguientes instrucciones de mantenimiento.

Etiquetas sobre la herramienta

En la herramienta se indican los siguientes pictogramas:



Antes del uso, lea el manual de instrucciones



Lleve gafas de protección



Use protección acústica

Verificación del contenido del embalaje

El paquete contiene:

- 1 Amoladora angular
- 1 Protector
- 1 Empuñadura lateral
- 1 Conjunto de bridas
- 1 Llave de dos clavijas
- 1 Manual de instrucciones

- Compruebe si la herramienta, piezas o accesorios han sufrido algún daño durante el transporte.
- Tómese el tiempo necesario para leer y comprender este manual antes de utilizar la herramienta.

Descripción (fig. A)

Esta amoladora angular D28112/D28136 ha sido diseñada para realizar amolados o cortes profesionales.

- 1 Interruptor de marcha/parada
- 2 Inmovilizador del husillo
- 3 Protector
- 4 Empuñadura lateral
- 5 Control electrónico de velocidad variable (D28136 solamente)
- 6 Sistema de extracción de polvo

Empuñadura lateral antivibración

La empuñadura lateral antivibración ofrece una comodidad adicional absorbiendo las vibraciones provocadas por la herramienta.

Protector sin llave

El protector sin llave permite un ajuste rápido durante la aplicación para aumentar la versatilidad de la misma.

Sistema de eyección de polvo

El sistema de eyección de polvo evita la acumulación de polvo alrededor del protector y la entrada del motor, al tiempo que minimiza la cantidad de polvo que penetra en el alojamiento del motor.

D28136 –**Arranque suave**

El arranque suave permite evitar el shock inicial que suele producirse a la puesta en marcha.

Esta característica resulta ser de utilidad cuando se trabaja en espacios restringidos.

D28136 –**Control electrónico de velocidad variable**

El control electrónico de velocidad variable ofrece un control adicional de la herramienta y permite que ésta pueda utilizarse en condiciones óptimas para adecuarse al accesorio y material.

Embrague (D28136)

El embrague limitador de par de torsión reduce la reacción de par máxima transmitida al usuario al quedarse atascado un disco de corte. Esta función impide también el calado del engranaje y del motor eléctrico. El embrague limitador de par de torsión se ajusta en fábrica y no puede ser ajustado posteriormente por el usuario.

Interruptor de desconexión por falta de corriente (D28136)

El interruptor de encendido/apagado incorpora una función de desconexión por falta de corriente: si la alimentación eléctrica se corta por algún motivo, es necesario reactivar el interruptor.

Protección contra sobrecargas (D28136)

La alimentación eléctrica al motor se reducirá en caso de sobrecarga del motor. La alimentación regresará a la normalidad una vez que la herramienta se haya enfriado hasta una temperatura de funcionamiento adecuada.

Seguridad eléctrica

El motor eléctrico ha sido diseñado para un solo voltaje. Compruebe siempre que el voltaje de la red corresponde al valor indicado en la placa de características.



Su herramienta DEWALT tiene doble aislamiento, conforme a la norma EN 50144; por consiguiente, no se requiere conexión a tierra.

Sustitución de cable o enchufe

Al sustituir el cable o el enchufe hágalo con sumo cuidado: un enchufe con conectores de cobre desprotegidos es peligroso si se conecta a una toma de corriente activa.

Utilización de un cable de prolongación

En caso de que sea necesario utilizar un cable de prolongación, deberá ser un cable de prolongación aprobado, adecuado para la potencia de esta herramienta (véanse las características técnicas). La sección mínima de conductor es de 1,5 mm². Si utiliza un carrete de cable, desenrolle siempre el cable completamente.

Montaje y ajustes

Desenchufe la herramienta antes de proceder con el montaje y los ajustes.

Montaje y retirada del protector (fig. B)**D28136**

- Coloque la amoladora angular en una mesa, con el eje hacia arriba.
- Suelte el cierre (7) y sostenga el protector (3) sobre la herramienta como se muestra.
- Alinee las pestañas (8) con las ranuras (9).
- Presione el protector y gírelo hasta la posición deseada.

- Si fuera necesario, aumente la fuerza de cierre apretando el tornillo (10).
- Apriete el cierre.
- Para retirar el protector, suelte el cierre.



Nunca utilice la herramienta sin el protector colocado en su lugar.

Montaje y desmontaje de un disco de amolado o de corte (fig. C1 & C2)

- Coloque la herramienta en una mesa, con el protector hacia arriba.
- Fije la brida interior (11) correctamente en el eje (12) (fig. C1).
- Coloque el disco (13) sobre la brida (11). Cuando instale un disco con el centro elevado, asegúrese de que el centro elevado (14) quede hacia la brida (11).
- Enrosque la brida exterior (15) en el eje (12) (fig. C2):
 - el aro de la brida (15) debe quedar hacia el disco cuando se instala un disco de amolar (A);
 - el aro de la brida (15) debe quedar al lado contrario del disco cuando se instala un disco de corte (B).
- Presione el bloqueo del eje (2) y haga girar el eje (12) hasta que encaje en su posición.
- Apriete la brida (15) con la llave doble para tuercas suministrada.
- Suelte el bloqueo del eje.
- Para retirar el disco, afloje la brida (15) con la llave doble para tuercas.



No utilice el disco si está dañado.

Montaje de la empuñadura lateral (fig. D)

- Atomille la empuñadura lateral (4) firmemente en uno de los orificios (16) de cualquiera de los lados de la caja de engranajes.

D28136 –

Ajuste del control electrónico de velocidad (fig. E)

- Gire el control (5) al nivel deseado. Gire el control hacia arriba para una velocidad mayor y hacia abajo para una velocidad menor. El conocimiento del ajuste correcto se adquiere con la experiencia. P. ej.:
 - cuando corte materiales suaves y frágiles, sitúe el control en un ajuste bajo;
 - cuando corte materiales más duros, sitúe el control en un ajuste alto.

Instrucciones para el uso



- Respete siempre las instrucciones de seguridad y las normas de aplicación.
- Asegúrese de que todos los materiales que se vayan a amolar o cortar estén sujetos en su posición.
- Ejercer únicamente una presión suave sobre la herramienta. No ejerza presión lateral sobre el disco.
- Evite la sobrecarga. En caso de calentamiento de la herramienta, hágala funcionar unos minutos sin carga.

Antes de trabajar:

- Montar el protector adecuado y un disco o una muela. No use discos o muelas excesivamente desgastados.
- Asegúrese de que las bridas interior y exterior estén correctamente instaladas.
- Asegúrese de que el disco o la muela gira en el sentido indicado por las flechas en el accesorio y la herramienta.

Encendido y apagado (fig. A)

- Para poner en marcha la herramienta, presione el interruptor de encendido/apagado (1).
- Para trabajar de manera continua, presione el interruptor de encendido/apagado hacia delante.
- Para parar la herramienta, suelte el interruptor. Para parar la herramienta en modo de funcionamiento continuo, presione sobre la parte trasera del interruptor.



No encienda ni apague la herramienta mientras se encuentre bajo carga.

Aplicaciones metálicas

- Cuando utilice la herramienta en aplicaciones metálicas, asegúrese de insertar un dispositivo de corriente residual (RCD) para evitar los riesgos residuales provocados por el polvo metálico.
- Si el RCD desconecta el suministro eléctrico, lleve la herramienta a un servicio técnico autorizado de DEWALT.



En condiciones de trabajo extremas, el polvo conductor puede acumularse en el interior del alojamiento de la máquina al trabajar con metal. Esto puede hacer que el aislamiento protector de la máquina se degrade con el riesgo potencial de una descarga eléctrica.

Para evitar la acumulación de polvo metálico en el interior de la máquina, le recomendamos que limpie las ranuras de ventilación diariamente. Consulte "Mantenimiento".

Uso de discos de aletas



Advertencia: Acumulación de polvo metálico

- El uso abundante de discos de aletas en aplicaciones metálicas puede provocar el aumento del potencial de descarga eléctrica. Para reducir este riesgo, inserte un dispositivo de corriente residual (RCD) antes del uso y limpie las ranuras de ventilación diariamente, soplando con aire comprimido en las ranuras según las siguientes instrucciones de mantenimiento.

Accesorios opcionales

Consulte a su proveedor si desea información más detallada sobre los accesorios apropiados.

Mantenimiento

Su herramienta eléctrica DEWALT ha sido diseñada para funcionar mucho tiempo con un mínimo de mantenimiento. El funcionamiento satisfactorio depende del buen cuidado de la herramienta y de una limpieza frecuente.

Desgaste de escobillas

El motor se apagará automáticamente indicando que las escobillas de carbón están casi desgastadas y que la herramienta necesita mantenimiento. Las escobillas de carbón no pueden ser sustituidas por el usuario. Confíe la herramienta al servicio técnico autorizado DEWALT.



Lubricación

Su herramienta eléctrica no requiere lubricación adicional.



Limpieza

Evite que se obturen las ranuras de ventilación y limpie el exterior con regularidad utilizando un paño suave.

Desobstrucción de las ranuras de ventilación

Para evitar la acumulación de polvo en el interior de la máquina, le recomendamos que despeje las ranuras de ventilación diariamente.

- Desenchufe la máquina.
- Sople con aire comprimido a través de las ranuras de ventilación.
- Despeje las ranuras de ventilación con un cepillo suave o un paño seco. No utilice objetos metálicos ya que éstos podrían dañar los componentes internos.

Protección del medio ambiente



Separación de desechos. Este producto no debe desecharse con la basura doméstica normal.

Si llega el momento de reemplazar su producto DEWALT o éste ha dejado de tener utilidad para usted, no lo deseche con la basura doméstica normal. Asegúrese de que este producto se deseche por separado.



La separación de desechos de productos usados y embalajes permite que los materiales puedan reciclarse y reutilizarse.

La reutilización de materiales reciclados ayuda a evitar la contaminación medioambiental y reduce la demanda de materias primas.

MINI ESMERILHADEIRA ANGULAR

D28112 D28136

Parabéns!

Escolheu uma ferramenta DEWALT. Muitos anos de experiência, um desenvolvimento contínuo de produtos e o espírito de inovação fizeram da DEWALT um dos parceiros mais fiáveis para os utilizadores profissionais.

Dados técnicos

		D28112	D28136
Voltagem	V	127/220	127/220
Potência absorvida	W	1,100	1 400
Velocidade em vazio	min ⁻¹	11 000	2 800-10 000
Diâmetro do disco	mm	115	115
Diâmetro do veio		M14	M14
Peso	kg	1.9	2.1

Os seguintes símbolos são usados neste manual:



Indica risco de ferimentos, perda de vida ou danos à ferramenta no caso do não-cumprimento das instruções deste manual.



Indica tensão eléctrica.



Perigo de incêndio.

Regras gerais de segurança

Advertência! Leia todas as instruções. O não cumprimento das instruções a seguir pode resultar em choque elétrica, incêndio e/ou graves lesões. O termo „ferramenta elétrica“, utilizado a seguir, refere-se a ferramentas elétricas com ligação à corrente elétrica (com fios) ou operadas a bateria (sem fios).

GUARDE ESTAS INSTRUÇÕES.

1 Área de trabalho

a Mantenha a sua área de trabalho limpa e arrumada. Desordem e áreas de trabalho com fraca iluminação podem causar acidentes.

b Não trabalhar com a ferramenta elétrica em áreas com risco de explosão, nas quais se encontrem líquidos, gases ou pós inflamáveis. Ferramentas elétricas produzem faíscas que podem provocar a ignição de pó e vapores.

c Mantenha crianças e outras pessoas afastadas da ferramenta elétrica durante o trabalho com a ferramenta. Distrações podem causar a falta de controle sobre o aparelho.

2 Segurança elétrica

a A ficha da ferramenta elétrica deve caber na tomada. A ficha não deve ser modificada de modo algum. Não utilize quaisquer fichas de adaptação junto com ferramentas elétricas ligadas à terra. Fichas sem modificações e tomadas adequadas reduzem o risco de choques elétricos.

b Evite que o corpo entre em contato com superfícies ligadas à terra, como por exemplo tubos, radiadores, fogões e frigoríficos. Há um risco elevado de choques elétricos, caso o corpo seja ligado à terra.

c A ferramenta elétrica não deve ser exposta à chuva nem humidade. A penetração de água na ferramenta elétrica aumenta o risco de choques elétricos.

d Manuseie o fio com cuidado. O cabo do aparelho não deve ser utilizado para o transporte, para pendurar o aparelho, nem para puxar a ficha da tomada. Mantenha o cabo afastado de calor, óleo, cantos afiados ou partes em movimento do aparelho. Cabos danificados ou torcidos aumentam o risco de choques elétricos.

e Ao trabalhar com a ferramenta elétrica ao ar livre, use um cabo de extensão apropriado para áreas externas. O uso de um cabo apropriado para áreas externas reduz o risco de choques elétricos.

3 Segurança pessoal

a Esteja alerta, observe o que está a fazer, e tenha prudência ao trabalhar com a ferramenta elétrica. Não use a ferramenta elétrica se estiver cansado ou sob a influência de drogas, álcool ou medicamentos. Um momento de falta de atenção durante a operação da ferramenta elétrica pode causar graves lesões.

b Usar um equipamento pessoal de proteção. Utilizar sempre óculos de proteção. Equipamento de segurança, como por exemplo, máscara de proteção contra pó, sapatos de segurança anti-derrapantes, capacete de segurança ou proteção auricular, de acordo com o tipo e aplicação da ferramenta elétrica, reduz o risco de lesões.

c Evite um accionamento involuntário. Assegure-se de que o interruptor está na posição de desligado antes de o ligar. O transporte de ferramentas elétricas com o dedo no interruptor ou a ligação das mesmas que tenham o interruptor ligado provoca acidentes.

d Remover chaves de ajustes ou chaves de fenda, antes de ligar a ferramenta elétrica. Uma chave de fenda ou chave de ajuste que se encontre numa parte móvel do aparelho, pode levar a lesões.

e Não se sobreestime. Mantenha-se sempre bem posicionado e em equilíbrio. Desta forma poderá ser mais fácil controlar o aparelho em situações inesperadas.

f Use vestuário apropriado. Não use roupa larga ou jóias. Mantenha o cabelo, roupa e luvas afastadas de partes em movimento. Roupas largas, jóias ou cabelos longos podem ser agarradas por partes em movimento.

g Se for prevista a montagem de dispositivos de aspiração de pó e de dispositivos de recolha, assegure-se de que estão ligados e que são utilizados de forma correta. A utilização destes dispositivos reduz os riscos provocados por pó.

4 Utilização e manutenção da ferramenta elétrica.

a Não sobrecarregue a ferramenta elétrica.

Use para o seu trabalho a ferramenta elétrica correcta. A ferramenta correta realizará o trabalho de forma melhor e mais segura dentro da potência indicada.

b Não utilize a ferramenta elétrica se o interruptor não puder ser ligado nem desligado.

Qualquer ferramenta elétrica que não possa ser controlada através do interruptor de ligar-desligar é perigosa e deve ser reparada.

c Desligue a ficha da tomada antes de efetuar ajustes no aparelho, substituir acessórios ou armazenar a ferramenta elétrica.

Esta medida de segurança evita que a ferramenta elétrica seja ligada acidentalmente.

d Mantenha as ferramentas elétricas que não estiverem a ser utilizadas fora do alcance de crianças. Não permita que o aparelho seja utilizado por pessoas não familiarizadas com o mesmo ou que não tenham lido estas instruções.

As ferramentas elétricas são perigosas se utilizadas por pessoas não qualificadas.

e Trate a sua ferramenta elétrica com cuidado. Verifique se as partes móveis do aparelho funcionam perfeitamente e não emperram, se há peças quebradas ou danificadas, que possam influenciar o funcionamento do aparelho. As peças danificadas devem ser reparadas antes da utilização do aparelho.

Muitos acidentes têm como causa uma manutenção insuficiente das ferramentas elétricas.

f Mantenha as ferramentas de corte sempre afiadas e limpas.

Ferramentas de cortes devidamente tratadas, com cantos afiados travam com menos frequência e podem ser controladas com maior facilidade.

g Use a ferramenta elétrica, os acessórios e as brocas da ferramenta etc., de acordo com estas instruções e da maneira determinada para este tipo especial de ferramenta elétrica. Considere também as condições de trabalho e o trabalho a ser efetuado.

A utilização da ferramenta elétrica para outros fins que os previstos pode resultar em situações perigosas.

5 Reparação

a A sua ferramenta elétrica só deve ser reparada por pessoal qualificado e só devem ser colocadas peças sobressalentes originais.

Desta forma é assegurada a segurança da ferramenta elétrica.

Normas de segurança adicionais para discos de rebarbar

- O seu disco de rebarbar foi concebido para rebarbar e cortar alvenaria e aço.



Não corte nem rebarbe metais leves com conteúdo de magnésio superior a 80% pois este tipo de metais é inflamável.

- Não utilize outros acessórios que não sejam os discos de rebarbar reforçados com fibra e os discos de corte.
- Utilize apenas discos de corte e de rebarbar planos ou com recesso no centro.
- Utilize apenas os discos de rebarbar e os discos de corte recomendados pelo fabricante.
- A velocidade concedida do disco de rebarbar ou disco de corte, ou qualquer outro acessório adequado, deve ser sempre igual ou superior à velocidade em vazio impressa na placa de identificação da ferramenta.
- Não corte peças de trabalho que exijam uma profundidade máxima de corte que exceda a do disco de corte.
- Não utilize discos de corte ou de rebarbar que não contenham as dimensões estabelecidas nos dados técnicos. Não utilize espaçadores para ajustar o disco no fuso.
- Inspeccione os discos de corte e de rebarbar antes de cada utilização. Não utilize discos lascados, rachados ou com outros danos.
- Se necessário, assegure-se de que são utilizados talões quando o disco é colocado no fuso.
- Sempre que aplicar um disco com o orifício roscado, assegure-se que a fenda é comprida o suficiente para aceitar o fuso.
- Assegure-se de que o disco de rebarbar ou de corte está corretamente instalado antes da sua utilização.
- Deixe a ferramenta funcionar em vazio numa posição segura pelo menos durante 30 segundos. Caso haja demasiada vibração ou ocorra qualquer outra falha, pare a ferramenta e procure a causa.

- Não opere esta ferramenta sem ter as proteções no lugar.
- Verifique se a peça a trabalhar está corretamente apoiada.
- Não opere a ferramenta perto de poeira, gases ou líquidos inflamáveis. Faíscas ou lascas quentes provenientes de corte ou de descarga elétrica de escovas motoras podem incendiar materiais combustíveis.
- Não opere a ferramenta enquanto esta estiver alinhada com o disco. Mantenha as outras pessoas afastadas da área de trabalho.
- Não utilize os discos de corte para rebarbar lados.
- Não opere o botão de travamento do fuso com a ferramenta ligada.
- Não se esqueça que depois de desligar a ferramenta a roda continua a rodar durante alguns segundos.
- Guarde sempre os discos de rebarbar e de corte em local seco.
- Certifique-se de que as aberturas de ventilação estão limpas quando trabalhar em locais poeirentos. Caso seja necessário limpar as aberturas de ventilação, desligue primeiro a ferramenta da fonte de alimentação de rede e evite danificar as peças internas, utilizando objectos não metálicos.
- Utilize sempre proteções auriculares e oculares. De preferência, utilize equipamento de proteção pessoal, tal como máscara de rosto, luvas, e capacete.

Utilização de discos de aba



Advertência!
Acumulação de pó de metal

- A utilização prolongada de discos de aba em aplicações de metal pode resultar num aumento do risco de choque elétrico. Para reduzir este risco, introduza um RCD antes de utilizar e limpe diariamente as ranhuras de ventilação aplicando ar comprimido seco através das ranhuras de ventilação em conformidade com as instruções de manutenção a seguir indicadas.

Etiquetas da ferramenta

Aparece o seguinte na ferramenta:



Leia o manual de instruções antes da utilização.



Utilize óculos de proteção



Utilize proteções auriculares

Verificação do conteúdo da embalagem

A embalagem contém:

- 1 Mini Esmerilhadeira Angular
- 1 Protetor
- 1 Empunhadadeira
- 1 Conjunto de flanges
- 1 Chave de dois pinos
- 1 Manual de instruções

- Verifique se a ferramenta, as peças ou os acessórios apresentam sinais de danos que possam ter ocorrido durante o transporte.
- Antes de utilizar a ferramenta, dedique o tempo necessário à leitura e compreensão deste manual.

Descrição (fig. A)

A ferramenta D28112/D28136 foi concebida para aplicações profissionais de rebarbar e de corte.

- 1 Interruptor on/off
- 2 Dispositivo de bloqueio do veio
- 3 Resguardo
- 4 Punho lateral
- 5 Controlo de velocidade variável electrónico (D28136 somente)
- 6 Sistema de evacuação de pó

Punho lateral anti-vibração

O punho lateral anti-vibração aumenta o nível de conforto através da absorção das vibrações provocadas pela ferramenta.

Resguardo sem chave

O resguardo sem chave permite um ajuste rápido durante a aplicação, de modo a aperfeiçoar a sua versatilidade.

Sistema de ejeção de pó

O sistema de ejeção de pó evita a acumulação de pó à volta do resguardo e da entrada do motor, minimizando também a quantidade de pó que entra no compartimento do motor.

D28136 –**Função de arranque suave**

A função de arranque suave permite que a velocidade aumente lentamente para evitar o contragolpe quando é posta em funcionamento. Esta função torna-se particularmente útil quando se trabalha em espaços confinados.

D28136 –**Controlo de velocidade variável eletrónico**

O controlo de velocidade variável eletrónico melhora o controle da ferramenta e permite a utilização da mesma em condições ideais em função do acessório e do material.

Embraiagem (D28136)

A embraiagem limitadora de torque evita o contragolpe no caso de bloqueio de um disco de corte. Esta função também impede que as engrenagens e o motor elétrico parem. A embraiagem limitadora de torque possui uma regulação de fábrica e não pode ser ajustada.

Interruptor de voltagem nula (D28136)

O interruptor de ligar/desligar tem uma função de voltagem nula: caso a energia seja suspensa por alguma razão, o interruptor deverá ser reactivado.

Protecção de sobrecarga (D28136)

A corrente para o motor será reduzida em caso de sobrecarga do motor.

A corrente regressará ao normal assim que a ferramenta tenha arrefecido o suficiente, atingindo uma temperatura de funcionamento adequada.

Segurança elétrica

O motor elétrico foi concebido para uma única tensão. Verifique sempre se a tensão da rede corresponde à voltagem indicada na placa de identificação.



A sua ferramenta DEWALT tem duplo isolamento em conformidade com o estipulado na norma EN 50144, não sendo, por isso, necessária uma ligação à terra.

Substituição do cabo ou ficha

Ao substituir o cabo ou ficha, elimine-os de forma segura; uma ficha com condutores de cobre a descoberto é perigosa quando entra em contato com uma tomada com corrente.

Técnicos

Se fôr necessário um fio de extensão, use um cabo especial, conveniente para a corrente desta ferramenta (Veja os dados técnicos). A dimensão mínima do condutor é 1,5 mm². No caso de se usar uma bobina, desenrole o cabo todo.

Montagem e afinação

Antes da montagem de acessórios e da afinação retire sempre a ficha da tomada.

Montagem e remoção do resguardo (fig. B)**D28136**

- Coloque a ferramenta sobre uma mesa, com o veio para cima.
- Liberte o botão de travamento (7) e segure no resguardo (3) por cima da ferramenta como ilustrado.
- Alinhe as linguetas (8) com as fendas (9).
- Empurre o resguardo para baixo e rode-o até à posição desejada.
- Se necessário, aumente a força de fixação apertando o parafuso (10).
- Aperte o botão de travamento.

- Para remover o resguardo, solte o botão de travamento.



Nunca utilize a ferramenta sem o resguardo.

Instalação e remoção de um disco de rebarbar ou de corte (fig. C1 & C2)

- Coloque a ferramenta sobre uma mesa, com o resguardo para cima.
- Coloque a flange interna (11) correctamente no veio (12) (fig. C1).
- Coloque o disco (13) na flange (11). Aquando da colocação de um disco com um centro levantado, certifique-se de que o centro levantado (14) fica virado para a flange (11).
- Aparafuse a flange externa (15) no veio (12) (fig. C2):
 - o anel na flange (15) deve ficar virado para o disco aquando da colocação de um disco de rebarbar (A);
 - o anel na flange (15) deve ficar afastado do disco aquando da colocação de um disco de corte (B).
- Prima o botão de bloqueio do veio (2) e rode o veio (12) até que alcance a posição de bloqueio.
- Aperte a flange (15) com a chave de dois pinos incluída.
- Solte o botão de bloqueio do veio.
- Para remover o disco, desaperte a flange (15) com a chave de dois pinos.



Não utilize discos danificados.

Montagem do empunhadreira lateral (fig. D)

- Aparafuse o empunhadreira lateral (4) apertando-o num dos furos (16) situados nos dois lados da caixa de engrenagens.

D28136 –

Regulação do controle eletrónico de velocidade (fig. E)

- Rode o mostrador (5) para o nível pretendido. Rode o mostrador para cima para uma maior velocidade e para baixo para uma menor velocidade. A regulação pretendida é apenas uma questão de experiência. Por exemplo:
 - para cortar materiais moles e quebradiços, regule o mostrador para uma posição baixa;
 - para cortar materiais mais duros, regule o mostrador para uma posição alta.

Modo de emprego



- Cumpra sempre as instruções de segurança e os regulamentos aplicáveis.
- Assegure-se de que todos os materiais a serem lixados ou cortados estão fixos no lugar.
- Aplique uma pressão ligeira sobre a ferramenta. Não aplique pressão lateral ao disco.
- Evite a sobrecarga. Caso a ferramenta aqueça, deixe-a funcionar durante alguns minutos sem carga.

Antes da operação:

- Instale o devido resguardo e disco. Não utilize discos com um nível de desgaste excessivo.
- Certifique-se de que a flange interna e externa estão correctamente montadas.
- Certifique-se de que o disco roda na direcção das setas indicadas no acessório ou na ferramenta.

Ligar e desligar (fig. A)

- Para ligar a máquina pressione o interruptor (1).
- Para a utilização em contínuo, empurre o interruptor totalmente para a frente.
- Para desligar a máquina, liberte o interruptor. Para parar a ferramenta quando esta se encontrar em utilização em contínuo, prima a parte de trás do interruptor.



Não ligue nem desligue a ferramenta quando estiver sob carga.

Aplicações de metal

- Para utilizar a ferramenta em aplicações de metal, certifique-se de que **liga um dispositivo de corrente residual (RCD)** para evitar eventuais riscos originados pelas limalhas.
- Caso se verifique um corte de corrente originado pelo RCD, leve a ferramenta a um agente de reparação DeWALT autorizado.



Em condições de trabalho extremas, poderá acumular-se pó condutor no interior do compartimento da máquina ao trabalhar com metal. Isto poderá dar origem a que o isolamento protector da máquina fique danificado, podendo provocar um choque eléctrico.

Para evitar a acumulação de limalhas no interior da máquina, recomendamos que **limpe diariamente** as ranhuras de ventilação. Consulte "Manutenção".

Utilização de discos de aba



Advertência!
Acumulação de pó de metal

- A utilização prolongada de discos de aba em aplicações de metal pode resultar num aumento do risco de choque eléctrico. Para reduzir este risco, introduza um RCD antes de utilizar e **limpe diariamente** as ranhuras de ventilação aplicando ar comprimido seco através das ranhuras de ventilação em conformidade com as instruções de manutenção a seguir indicadas.

Acessórios opcionais

Para mais informações sobre os acessórios apropriados, consulte o seu revendedor autorizado.

Manutenção

A sua Ferramenta Eléctrica DeWALT foi concebida para funcionar durante muito tempo com um mínimo de manutenção. O funcionamento satisfatório contínuo depende de bons cuidados e limpeza regular da ferramenta.

Escovas de desençaixe rápido

O motor **desligar-se-á automaticamente**, indicando que as escovas de carbono estão quase gastas e que é necessário efectuar a manutenção à ferramenta. As escovas de carbono não podem ser reparadas pelo utilizador. Leve a ferramenta a um técnico DeWALT autorizado.



Lubrificação

A sua Ferramenta Eléctrica não precisa de lubrificação suplementar.



Limpeza

ConsERVE livres as aberturas de ventilação e **limpe regularmente** o corpo da máquina utilizando um pano macio.

Limpeza das ranhuras de ventilação

Para evitar a acumulação de pó no interior da máquina, recomendamos que **limpe diariamente** as ranhuras de ventilação.

- Desligue a ficha da máquina.
- Aplique ar comprimido seco através das ranhuras de ventilação.
- Limpe as ranhuras de ventilação com uma escova macia ou um pano seco. Não utilize objectos metálicos, uma vez que tal danificará as peças internas.

Proteção do meio ambiente

Caso chegue o momento em que um dos seus produtos DeWALT precise de ser substituído ou decida desfazer-se do mesmo, não o deite fora juntamente com o lixo doméstico. Torne este produto disponível para uma recolha em separado.



A recolha em separado de produtos e embalagens utilizados permite que os materiais sejam reciclados e reutilizados.

A reutilização de materiais reciclados ajuda a evitar a poluição ambiental e a reduzir a procura de matérias-primas.

Os regulamentos locais poderão providenciar a recolha em separado de produtos eléctricos junto das casas, em lixeiras municipais ou junto dos fornecedores ao adquirir um novo produto.

SOLAMENTE PARA PROPÓSITO DE ARGENTINA:
IMPORTADO POR: BLACK & DECKER ARGENTINA S.A.
PACHECO TRADE CENTER
COLECTORA ESTE DE RUTA PANAMERICANA
KM. 32.0 EL TALAR DE PACHECO
PARTIDO DE TIGRE
BUENOS AIRES (B1618FBQ)
REPÚBLICA DE ARGENTINA
NO. DE IMPORTADOR: 1146/66

SOLAMENTE PARA PROPÓSITO DE MÉXICO:
IMPORTADO POR: BLACK & DECKER S.A. DE C.V.
BOSQUES DE CIDROS, ACCESO RADIATAS NO.42
3A. SECCIÓN DE BOSQUES DE LAS LOMAS
DELEGACIÓN CUAJIMALPA,
05120, MÉXICO, D.F.
TEL. (52) 555-326-7100
R.F.C.: BDE810626-1W7

IMPORTED BY/IMPORTADO POR:
BLACK & DECKER DO BRASIL LTDA.
ROD. BR 050, S/Nº - KM 167
DIST. INDUSTRIAL II
UBERABA – MG – CEP: 38056-580
CNPJ: 53.296.273/0001-91
INSC. EST.: 701.948.711.00-98
S.A.C.: 0800-703-4644

MADE IN CHINA

HECHO EN CHINA

FABRICADO NA CHINA