

**Questions? See us on the World Wide Web at www.dewalt.com
¿Dudas? Visítenos en Internet: www.dewalt.com
Dúvidas? Visite-nos na Internet em www.dewalt.com.br**

**INSTRUCTION MANUAL
MANUAL DE INSTRUCCIONES
MANUAL DE INSTRUÇÕES**

INSTRUCTIVO DE OPERACIÓN, CENTROS DE SERVICIO Y PÓLIZA DE GARANTÍA. **ADVERTENCIA:** LÉASE ESTE INSTRUCTIVO ANTES DE USAR EL PRODUCTO.

INSTRUÇÕES DE OPERAÇÃO, CENTRO DE SERVIÇOS E CERTIFICADO DE GARANTIA. **ADVERTÊNCIA:** LEIA ESTAS INSTRUÇÕES ANTES DE UTILIZAR O PRODUTO.

DEWALT®

DW341

VS Orbital Jig Saw 3/4" (20 mm) Stroke

Sierra Caladora Orbital VV 20 mm (3/4") CPM

Serra Tico-Tico VV e Ação Orbital Comprimeto do Golpe 20 mm (3/4")

Definitions: Safety Guidelines

The definitions below describe the level of severity for each signal word. Please read the manual and pay attention to these symbols.

⚠ DANGER: Indicates an imminently hazardous situation which, if not avoided, **will** result in **death or serious injury**.

⚠ WARNING: Indicates a potentially hazardous situation which, if not avoided, **could** result in **death or serious injury**.

⚠ CAUTION: Indicates a potentially hazardous situation which, if not avoided, **may** result in **minor or moderate injury**.

CAUTION: Used without the safety alert symbol indicates a potentially hazardous situation which, if not avoided, **may** result in **property damage**.

General Safety Instructions

⚠ WARNING! Read and understand all instructions. Failure to follow all instructions listed below, may result in electric shock, fire and/or serious personal injury.

SAVE THESE INSTRUCTIONS

WORK AREA

- **Keep your work area clean and well lit.** Cluttered benches and dark areas invite accidents.
- **Do not operate power tools in explosive atmospheres, such as in the presence of flammable liquids, gases, or dust.** Power tools create sparks which may ignite the dust or fumes.
- **Keep bystanders, children, and visitors away while operating a power tool.** Distractions can cause you to lose control.

ELECTRICAL SAFETY

- **Grounded tools must be plugged into an outlet properly installed and grounded in accordance with all codes and ordinances. Never remove the grounding prong or modify the plug in any way. Do not use any adaptor plugs. Check with a qualified electrician if you are in doubt as to whether the outlet is properly grounded.** If the tools should electrically malfunction or break down, grounding provides a low resistance path to carry electricity away from the user. **Applicable only to Class I (grounded) tools.**
- **Double insulated tools are equipped with a polarized plug (one blade is wider than the other.) This plug will fit in a polarized outlet only one way. If the plug does not fit fully in the outlet, reverse the plug. If it still does not fit, contact a qualified electrician to install a polarized outlet. Do not change the plug in any way.** Double insulation eliminates the need for the three wire grounded power cord and grounded power supply system. **Applicable only to Class II (double insulated) tools.**
- **Avoid body contact with grounded surfaces such as pipes, radiators, ranges and refrigerators.** There is an increased risk of electric shock if your body is grounded.
- **Don't expose power tools to rain or wet conditions.** Water entering a power tool will increase the risk of electric shock.
- **Do not abuse the cord. Never use the cord to carry the tools or pull the plug from an outlet. Keep cord away from heat, oil, sharp edges or moving parts. Replace damaged cords immediately.** Damaged cords increase the risk of electric shock.
- **When operating a power tool outside, use an outdoor extension cord marked "W-A" or "W."** These cords are rated for outdoor use and reduce the risk of electric shock. When using an extension cord, be sure to use one heavy enough to carry the

current your product will draw. An undersized cord will cause a drop in line voltage resulting in loss of power and overheating. The following table shows the correct size to use depending on cord length and nameplate ampere rating. If in doubt, use the next heavier gauge. The smaller the gauge number, the heavier the cord.

| Voltage (Volts) | Total length of cord in meters (m) | | | |
|--------------------|---|---------|-----------------|----------|
| | 120 | 0 - 7 | 7 - 15 | 15 - 30 |
| 220 - 240V | 0 - 15 | 15 - 30 | 30 - 60 | 60 - 100 |
| Rated Ampere range | Minimal cross-sectional area of the cord in meters (mm ²) | | | |
| 0 - 6A | 1.0 | 1.5 | 1.5 | 2.5 |
| 6 - 10A | 1.0 | 1.5 | 2.5 | 4.0 |
| 10 - 12A | 1.5 | 1.5 | 2.5 | 4.0 |
| 12 - 16A | 2.5 | 4.0 | Not Recommended | |

PERSONAL SAFETY

- **Stay alert, watch what you are doing and use common sense when operating a power tool. Do not use tool while tired or under the influence of drugs, alcohol, or medication.** A moment of inattention while operating power tools may result in serious personal injury.
- **Dress properly. Do not wear loose clothing or jewelry. Contain long hair. Keep your hair, clothing, and gloves away from moving parts.** Loose clothing, jewelry, or long hair can be caught in moving parts. Air vents often cover moving parts and should also be avoided.
- **Avoid accidental starting. Be sure switch is off before plugging in.** Carrying tools with your finger on the switch or plugging in tools that have the switch on invites accidents.
- **Remove adjusting keys or wrenches before turning the tool on.** A wrench or a key that is left attached to a rotating part of the tool may result in personal injury.
- **Do not overreach. Keep proper footing and balance at all times.** Proper footing and balance enables better control of the tool in unexpected situations.
- **Use safety equipment. Always wear eye protection.** Dust mask, non-skid safety shoes, hard hat, or hearing protection must be used for appropriate conditions.

TOOL USE AND CARE

- **Use clamps or other practical way to secure and support the workpiece to a stable platform.** Holding the work by hand or against your body is unstable and may lead to loss of control.
- **Do not force tool. Use the correct tool for your application.** The correct tool will do the job better and safer at the rate for which it is designed.
- **Do not use tool if switch does not turn it on or off.** Any tool that cannot be controlled with the switch is dangerous and must be repaired.
- **Disconnect the plug from the power source before making any adjustments, changing accessories, or storing the tool.** Such preventative safety measures reduce the risk of starting the tool accidentally.
- **Store idle tools out of reach of children and other untrained persons.** Tools are dangerous in the hands of untrained users.
- **Maintain tools with care. Keep cutting tools sharp and clean.** Properly maintained tools, with sharp cutting edges are less likely to bind and are easier to control.
- **Check for misalignment or binding of moving parts, breakage of parts, and any other condition that may affect the tool's operation. If damaged, have the tool serviced before using.** Many accidents are caused by poorly maintained tools.

- **Use only accessories that are recommended by the manufacturer for your model.** Accessories that may be suitable for one tool, may become hazardous when used on another tool.

SERVICE

- **Tool service must be performed only by qualified repair personnel.** Service or maintenance performed by unqualified personnel could result in a risk of injury.
- **When servicing a tool, use only identical replacement parts. Follow instructions in the Maintenance section of this manual.** Use of unauthorized parts or failure to follow maintenance instructions may create a risk of electric shock or injury.

Additional Specific Safety Instructions for Jig Saws

- **Hold tool by insulated gripping surfaces when performing an operation where the cutting tool may contact hidden wiring or its own cord.** Contact with a “live” wire will make exposed metal parts of the tool “live” and shock the operator.
- **Allow the motor to come to a complete stop before withdrawing the blade from the kerf (the slot created by cutting).** A moving blade may impact the workpiece causing a broken blade, workpiece damage or loss of control and possible personal injury.
- **Keep handles dry, clean, free from oil and grease.** This will enable better control of the tool.
- **Keep blades sharp.** Dull blades may cause the saw to swerve or stall under pressure.
- **Clean out your tool often, especially after heavy use.** Dust and grit containing metal particles often accumulate on interior surfaces and could create an electric shock hazard.
- **Do not operate this tool for long periods of time.** Vibration caused by the operating action of this tool may cause permanent

injury to fingers, hands, and arms. Use gloves to provide extra cushion, take frequent rest periods, and limit daily time of use.

▲WARNING: Always wear eye protection while operating this power tool.

▲WARNING: Some dust created by power sanding, sawing, grinding, drilling, and other construction activities contains chemicals known to cause cancer, birth defects or other reproductive harm. Some examples of these chemicals are:

- lead from lead-based paints,
- crystalline silica from bricks and cement and other masonry products, and
- arsenic and chromium from chemically-treated lumber (CCA).

Your risk from these exposures varies, depending on how often you do this type of work. To reduce your exposure to these chemicals: work in a well ventilated area, and work with approved safety equipment, such as those dust masks that are specially designed to filter out microscopic particles.

- **Avoid prolonged contact with dust from power sanding, sawing, grinding, drilling, and other construction activities. Wear protective clothing and wash exposed areas with soap and water.** Allowing dust to get into your mouth, eyes, or lay on the skin may promote absorption of harmful chemicals.

▲WARNING: Use of this tool can generate and/or disburse dust, which may cause serious and permanent respiratory or other injury. Always use NIOSH/OSHA approved respiratory protection appropriate for the dust exposure. Direct particles away from face and body.

▲WARNING: ALWAYS USE SAFETY GLASSES. Everyday eyeglasses are NOT safety glasses. Also use face or dust mask if cutting operation is dusty. All users and bystanders MUST ALWAYS wear certified safety equipment:

- ANSI Z87.1 eye protection (CAN/CSA Z94.3),

- ANSI S12.6 (S3.19) hearing protection,
- NIOSH/OSHA/MSHA respiratory protection.

⚠CAUTION: Wear appropriate hearing protection during use.
Under some conditions and duration of use, noise from this product may contribute to hearing loss.

- The label on your tool may include the following symbols. The symbols and their definitions are as follows:

| | |
|---|---|
| V..... volts | A..... amperes |
| Hz..... hertz | W..... watts |
| min..... minutes | ~..... alternating current |
| ==..... direct current | n ₀ no load speed |
| ⚡..... Class I Construction (grounded) | ⊕..... earthing terminal |
| ▢..... Class II Construction (double insulated) | ⚠..... safety alert symbol |
| BPM..... beats per minute | .../min.... revolutions or reciprocation per minute |
| sfp _m surface feet per minute (sfp _m) | |

SAVE THESE INSTRUCTIONS

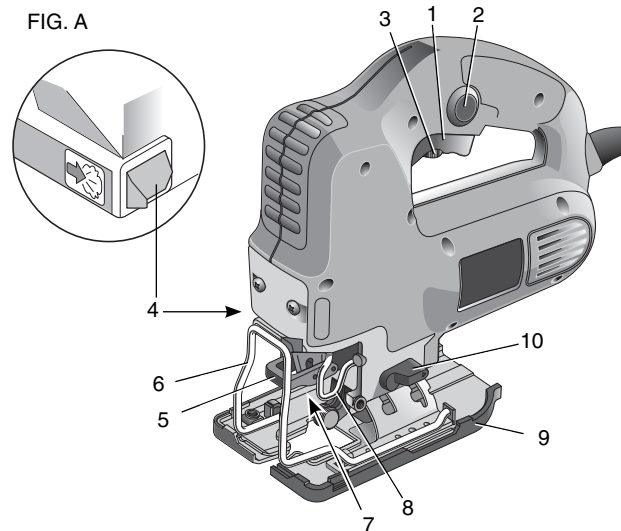
Checking and changing the saw blade

- Only use saw blades conforming to the specifications contained in these operating instructions.
- Only sharp saw blades in perfect working condition should be used; cracked or bent saw blades should be discarded and replaced at once.
- Ensure that the saw blade is securely fixed.
- The saw blade could be hot due to the work process. So when changing the blade make sure that it is chilled, cooled off or wear protective gloves when touching the blade.

Description (fig. A)

Your jigsaw DW341 has been designed for professional cutting of wood, steel, aluminium, plastic and ceramic material.

- | | |
|----------------------|-----------------------------|
| 1 On/off switch | 7 Blade holder |
| 2 Lock-on button | 8 Guide roller |
| 3 Speed control dial | 9 Shoe |
| 4 Sawdust blower | 10 Pendulum stroke selector |
| 5 Blade latch | |
| 6 Finger guard | |



English

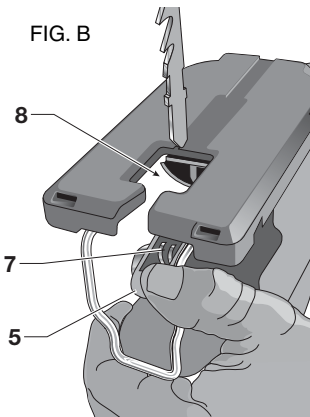
Assembly and Adjustment

⚠ WARNING: Prior to assembly and adjustment always unplug the tool.

FITTING AND REMOVING A SAW BLADE (FIG. B)

⚠ WARNING: The saw blade could be hot due to the work process. So when changing the saw blade make sure that it is chilled cooled off or wear protective gloves when touching the blade.

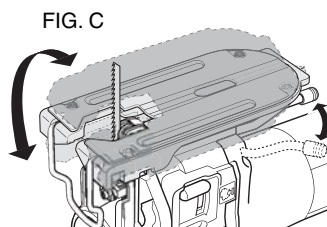
- The tool-free blade exchange system ensures quick and easy changing of saw blades.
- Open the blade holder (7) by fully retracting the blade latch (5).
- Insert the saw blade into the blade holder (7) guiding the back of the blade into the groove of the guide roller (8).
- Release the blade latch (5).
- To remove the saw blade, fully retract the blade latch and pull the blade out of the holder.



SETTING THE BEVEL ANGLE (FIG. C)

The adjustable shoe (9) allows cutting of LH and RH bevel angles up to 45°. The bevel scale has preset positions at 0° and 45°.

- Slacken the screws (11) using the supplied Torx wrench.
- Slide the shoe (9) toward the saw blade.



- Tilt the shoe and set the desired bevel angle using the scale.
- Tighten the screws.

SETTING THE PENDULUM STROKE (FIG. A)

The adjustable pendulum stroke guarantees a perfect cutting stroke for different materials.

- Slide the selector (10) to the desired position referring to the table below. The selector can be manipulated during operation.

| Pos. | Wood | Metal | Plastics |
|------|------------------------------|--------------------------|-----------------------|
| 2 | Fast cuts | – | PVC |
| 2 | Thick workpieces | – | Fibreglass Acrylic |
| 1 | Plywood Chipboard | Aluminium Non-ferrous | – |
| 0 | Thin workpieces Fine cuts | Sheet metal | – |

MOUNTING THE PLASTIC ANTI-SCRATCH SHOE COVER (FIG. D)

The anti-scratch shoe cover (12) reduces damage to the surface of (sensitive) workpieces.

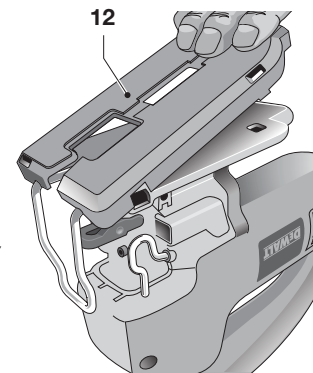
- Click the cover onto the shoe as shown.

Instructions for use

⚠ WARNING:

- Always observe the safety instructions and applicable regulations.
- Make sure your workpiece is well secured. Remove nails, screws and other fasteners that may damage the blade.

FIG. D



- Check that there is sufficient space for the blade underneath the workpiece. Do not cut materials that exceed the maximum cutting depth of the blade.
- Use sharp saw blades only. Damaged or bent saw blades must be removed immediately.
- Do not use the tool for sawing pipes or tubes.
- Never run your tool without a saw blade.
- For optimal results, move the tool smoothly and constantly over the workpiece. Do not exert lateral pressure on the saw blade. Keep the shoe flat on the workpiece and lead the cord away in line with the tool. When sawing curves, circles or other round shapes, push the tool gently forward.
- Wait until the tool has come to a standstill before removing the saw blade from the workpiece. After sawing the blade may be very hot. Do not touch.

SWITCHING ON AND OFF (FIG. A)

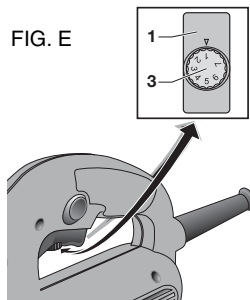
- To run the tool, press the on/off switch (1).
- For continuous operation, press and hold down the switch (1), press the lock-on button (2) and release the switch.
- To stop the tool, release the switch.
- To stop the tool in continuous operation, press the switch briefly and release it. Always switch off the tool when work is finished and before unplugging.

SETTING THE ELECTRONIC SAWING SPEED (FIG. E)

The sawing speed varies with the pressure exerted on the on/off switch (1).

- To preset the sawing speed, turn the control dial (3) to the desired level. The higher the rate, the higher the

FIG. E



sawing speed. The required setting depends on the thickness and kind of material.

- Use high speeds for sawing soft materials such as wood. Use low speeds for sawing metal.

⚠ WARNING: After using the tool for an extended period on low speed settings, run it for approx. 3 minutes on maximum no-load speed.

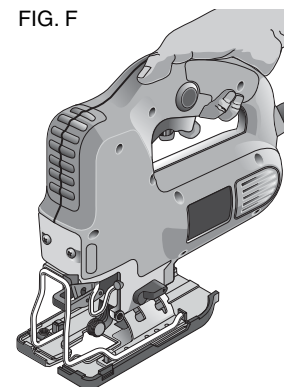
HOLDING THE TOOL (FIG. F)

- Hold the tool as shown.

SAWING IN WOOD

- If necessary, draw a cutting line.
- Switch the tool on.
- Hold the tool against the workpiece and follow the line.
- For sawing parallel to the edge of your workpiece, install the parallel fence and guide your jigsaw along the workpiece a shown in figure G.

FIG. F



SAWING IN WOOD USING A PILOT HOLE

- If necessary, draw a cutting line.
- Drill a hole (\varnothing min. 12 mm) and introduce the saw blade.
- Switch the tool on.
- Follow the line.
- For cutting perfectly round shapes, install the trammel bar and set it to the required radius (fig. H).

FIG. G

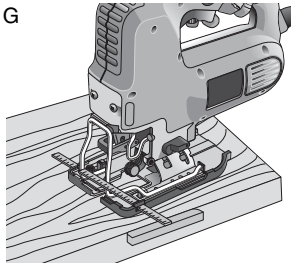
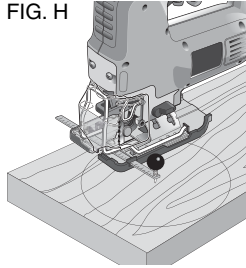


FIG. H



SAWING IN METAL

- Mount an appropriate saw blade.
- Proceed as described above.

⚠ WARNING: Use a cooling lubricant (cutting oil) to prevent overheating of the saw blade or the workpiece.

MAINTENANCE

Your DeWALT power tool has been designed to operate over a long period of time with a minimum of maintenance. Continuous satisfactory operation depends upon proper tool care and regular cleaning.

Cleaning

⚠ CAUTION: Never use solvents or other harsh chemicals for cleaning the non-metallic parts of the tool. These chemicals may weaken the plastic materials used in these parts. Use a cloth dampened only with water and mild soap.

Do not use gasoline, turpentine, lacquer or paint thinner, dry cleaning fluids or similar products. Never let any liquid get inside the tool; never immerse any part of the tool into a liquid.

Lubrication

LUBRICATING THE GUIDE ROLLER (FIG. B)

- Apply a drop of oil to the guide roller (8) at regular intervals to prevent jamming.

Repairs

To assure product SAFETY and RELIABILITY, repairs, maintenance and adjustment (including brush inspection and replacement) should be performed by authorized service centers or other qualified service personnel, always using identical replacement parts.

ACCESSORIES

⚠ WARNING: Since accessories, other than those offered by DeWALT, have not been tested with this product, use of such accessories with this tool could be hazardous. To reduce the risk of injury, only DeWALT, recommended accessories should be used with this product.

Recommended accessories for use with your tool are available at extra cost from your local dealer or authorized service center.

OPTIONAL ACCESSORIES

Consult your dealer for further information on the appropriate accessories.

These include:

| | |
|--------|------------------------------|
| DE3241 | Parallel guide |
| DE3242 | Trammel bar |
| DT2048 | Fine toothed cutting blade |
| DT2075 | Coarse toothed cutting blade |
| DT2160 | Metal cutting blade |
| DT2074 | Flush cutting blade |

Definiciones: Normas de seguridad

Las siguientes definiciones describen el nivel de gravedad de cada advertencia. Lea el manual y preste atención a estos símbolos.

▲ **PELIGRO:** indica una situación de peligro inminente que, si no se evita, **provocará la muerte o lesiones graves.**

▲ **ADVERTENCIA:** Indica una situación de peligro potencial que, si no se evita, **podría provocar la muerte o lesiones graves**

▲ **PRECAUCIÓN:** Indica una situación de peligro potencial que, si no se evita, **puede provocar lesiones leves o moderadas.**

PRECAUCIÓN: Utilizado sin el símbolo de alerta de seguridad indica una situación de peligro potencial que, si no se evita, **puede provocar daños en la propiedad.**

Instrucciones de seguridad generales

▲ **¡ADVERTENCIA!** Lea todas las instrucciones hasta comprenderlas. No ajustarse a las instrucciones siguientes puede ser causa de choque eléctrico, incendio o lesiones graves.

CONSERVE ESTAS INSTRUCCIONES

ÁREA DE TRABAJO

- **Mantenga el área de trabajo limpia y bien iluminada.** Las bancadas desordenadas y las zonas oscuras propician los accidentes.

- **No opere herramientas eléctricas en atmósferas explosivas, como en presencia de líquidos, gases o polvos inflamables.** Las herramientas eléctricas producen chispas que pueden originar la ignición del polvo o los vapores.
- **Mientras opere una herramienta eléctrica, mantenga lejos a los observadores, niños y visitantes.** Las distracciones pueden ocasionar que pierda el control.

SEGURIDAD ELÉCTRICA

- **Las herramientas con conexión a tierra deben conectarse a una toma de corriente debidamente instalada y con conexión a tierra, de acuerdo con todos los códigos y ordenanzas aplicables. Nunca quite la pata de conexión a tierra ni modifique el enchufe en ninguna manera. No emplee ningún adaptador para enchufes. Si tiene alguna duda acerca de si la toma de corriente está debidamente conectada a tierra, consulte a un electricista calificado.** Si las herramientas presentasen fallas eléctricas o averías, la conexión a tierra ofrece una vía de baja resistencia para alejar la corriente eléctrica del usuario. **Sólo es aplicable a las herramientas de Clase I (con conexión a tierra).**
- **Las herramientas con doble aislamiento están equipadas con una clavija polarizada (una pata es más ancha que la otra). Esta clavija se acoplará a un enchufe polarizado de una sola manera. Si la clavija no se acopla al contacto, inviértala. Si aún así no se ajusta, comuníquese con un electricista cualificado para que instale un enchufe polarizado apropiado. Nunca cambie la clavija. El doble aislamiento elimina la necesidad de cables con tres hilos y sistemas de suministro eléctrico con conexión a tierra. **Sólo es aplicable a las herramientas de Clase II.****
- **Evite el contacto del cuerpo con superficies conectadas a tierra, tales como tuberías, radiadores, registros y refrigeradores.** El riesgo de choque eléctrico aumenta si su cuerpo hace tierra.

- **No exponga las herramientas eléctricas a la lluvia o a condiciones de mucha humedad.** Si entra agua en una herramienta eléctrica, aumenta el riesgo de choque eléctrico.
- **No maltrate el cable. Nunca tome el cable para transportar la herramienta ni para desconectarla del enchufe. Mantenga el cable alejado de las fuentes de calor, el aceite, las orillas afiladas o las piezas en movimiento. Cambie inmediatamente los cables dañados.** Los cables dañados aumentan el peligro de choque eléctrico.
- **Cuando opere una máquina herramienta a la intemperie, utilice un alargador marcado “W-A” o “W”.** Estos alargadores están clasificados para ser usados a la intemperie y reducen el riesgo de descarga eléctrica. Al usar un alargador, asegúrese de que tenga el calibre necesario para llevar la corriente que su producto requerirá. Un alargador de un calibre insuficiente causará una caída en la tensión de la línea dando por resultado la pérdida de energía y sobrecalentamiento. La tabla siguiente muestra el tamaño correcto para utilizar dependiendo de la longitud del alargador y del amperaje nominal de la placa de identificación. En caso de duda, utilice el de mayor calibre. Cuanto más pequeño es el número del calibre, más resistente es el alargador.

| Tensión (Volts) | Longitud del cable in metros (m) | | | |
|-----------------------------|---|---------|----------------|----------|
| 120 | 0 - 7 | 7 - 15 | 15 - 30 | 30 - 50 |
| 220 - 240V | 0 - 15 | 15 - 30 | 30 - 60 | 60 - 100 |
| Corriente nominal (Ampères) | Sección nominal mínima del cable in milímetros cuadrados (mm ²) | | | |
| 0 - 6A | 1.0 | 1.5 | 1.5 | 2.5 |
| 6 - 10A | 1.0 | 1.5 | 2.5 | 4.0 |
| 10 - 12A | 1.5 | 1.5 | 2.5 | 4.0 |
| 12 - 16A | 2.5 | 4.0 | No recomendado | |

SEGURIDAD PERSONAL

- **Al utilizar una herramienta eléctrica, esté atento, concéntrese en lo que hace y aplique el sentido común. No utilice la herramienta si se encuentra fatigado o bajo la influencia de drogas, alcohol o fármacos.** Mientras se utilizan herramientas eléctricas, basta un instante de distracción para sufrir lesiones graves.
- **Lleve ropa adecuada. No utilice ropa suelta ni joyas. Recójase el cabello largo. Mantenga el cabello, la ropa y los guantes apartados de las piezas en movimiento.** Las partes móviles pueden atrapar las prendas de vestir sueltas, las joyas y el cabello. Los orificios de ventilación suelen cubrir piezas en movimiento, por lo que también se deben evitar.
- **Evite puestas en marcha accidentales.** Asegúrese de que el interruptor esté apagado antes de enchufar la máquina. Transportar las herramientas con el dedo sobre el interruptor o enchufarlas con el interruptor encendido favorece los accidentes.
- **Antes de poner en marcha la herramienta, retire las llaves de ajuste.** Una llave que se deje en una pieza giratoria de la herramienta puede provocar lesiones.
- **No ponga en peligro su estabilidad. Manténgase siempre bien apoyado y equilibrado.** Un buen apoyo y equilibrio permiten controlar mejor la herramienta si se produce algún imprevisto.
- **Utilice el equipo de seguridad. Lleve siempre lentes protectores.** Cuando sea adecuado, también se debe usar mascarilla antipolvo, zapatos de suela antideslizante, casco o protectores auditivos.

USO Y CUIDADOS DE LA HERRAMIENTA

- **Utilice abrazaderas u otro elemento adecuado para sujetar y apoyar la pieza de trabajo en una plataforma estable.** Sujetar la pieza con la mano o contra el cuerpo es inestable y facilita la pérdida de control.

- **No fuerce la herramienta. Emplee la herramienta correcta para cada aplicación.** La herramienta correcta hace el trabajo mejor y más seguro dentro del rango para el que ha sido diseñada.
- **No utilice la herramienta si el interruptor no la enciende y apaga.** Cualquier herramienta que no pueda controlarse con el interruptor es peligrosa y se debe reparar.
- **Desconecte la clavija del enchufe antes de proceder a cualquier ajuste, cambiar un accesorio o guardar la herramienta.** Estas medidas de seguridad preventiva reducen el riesgo de poner en marcha la herramienta accidentalmente.
- Cuando no las utilice, guarde las herramientas fuera del alcance de los niños o de cualquier persona no capacitada. Las herramientas son peligrosas en manos de usuarios no capacitados.
- **Cuide las herramientas. Conserve las herramientas de corte afiladas y limpias.** Unas herramientas adecuadamente cuidadas y con los bordes de corte afilados se atascan menos y son más fáciles de controlar.
- **Compruebe si las piezas móviles se desalinean o atascan, si hay alguna pieza rota o cualquier otra circunstancia que pueda afectar la operación de la herramienta. Si la herramienta está dañada, hágala reparar antes de usarla.** Muchos accidentes los provocan unas herramientas mal cuidadas.
- **Utilice únicamente los accesorios recomendados por el fabricante para su modelo.** Un mismo accesorio puede ser adecuado para una herramienta, pero peligroso si se usa en otra.

SERVICIO

- **El servicio a la herramienta sólo debe realizarlo personal cualificado.** El servicio o mantenimiento realizados por personal no calificado puede dar como resultado un riesgo de lesiones.

- **Al proceder al mantenimiento de una herramienta, utilice únicamente refacciones idénticas. Siga las instrucciones de la sección “Mantenimiento” de este manual.** La utilización de piezas no autorizadas, o no respetar las instrucciones de mantenimiento, puede suponer un peligro de choque eléctrico o de lesiones.

Normas específicas de seguridad adicionales para sierra caladora

- **Sujete la herramienta por las superficies aislantes si lleva a cabo una operación en que la herramienta pueda tocar un conductor oculto.** El contacto con un conductor activo provocará que las piezas metálicas de la herramienta conduzcan electricidad y que el operador reciba una descarga eléctrica.
- **Permita que el motor se detenga por completo antes de retirar la hoja de la línea de corte.** Las hojas en movimiento pueden impactar la pieza de trabajo y romperse, dañar la pieza de trabajo o causar la pérdida de control de la herramienta y posibles lesiones corporales.
- **Mantenga las empuñaduras secas, limpias, libres de aceite y grasa.** Esto permitirá un mejor control de la herramienta.
- **Mantenga las hojas afiladas.** Las hojas romas pueden hacer que la sierra se desvíe o estanque bajo presión.
- **Limpie su herramienta con frecuencia, especialmente después de usos prolongados.** El polvo y la arenilla que contienen partículas metálicas se acumulan con frecuencia en las superficies interiores y podrían ocasionar peligro de descarga eléctrica.
- **No opere esta herramienta durante períodos largos de tiempo.** La vibración causada por la acción de operación de esta herramienta puede causar lesiones permanentes a los dedos, las manos y los brazos. Utilice guantes para una mayor amortiguación, tome descansos frecuentes y limite el tiempo de uso diario.

⚠ADVERTENCIA: Siempre utilice protección ocular cuando opere esta máquina herramienta.

⚠ADVERTENCIA: Parte del polvo generado al lijar, serrar, esmerilar y taladrar con máquinas herramienta, así como al realizar otras actividades del sector de la construcción, contienen productos químicos que pueden producir cáncer, defectos congénitos u otras afecciones reproductivas. Ejemplos de esas sustancias químicas son:

- plomo procedente de pinturas a base de plomo,
- óxido de silicio cristalino procedente de ladrillos, cemento y otros productos de mampostería y
- arsénico y cromo procedentes de madera tratada químicamente (CCA).

El peligro derivado de estas exposiciones que usted enfrente varía en función de la frecuencia con que se realice este tipo de trabajo. Para reducir la exposición a esas sustancias químicas: trabaje en una zona bien ventilada y llevando equipos de seguridad aprobados, como mascarillas antipolvo especialmente diseñadas para filtrar partículas microscópicas.

- **Evite el contacto prolongado con el polvo procedente del lijado, serrado, esmerilado y taladrado eléctricos, así como de otras actividades del sector de la construcción. Lleve ropa protectora y lave con agua y jabón las zonas expuestas.** Si permite que el polvo se introduzca en la boca o los ojos o quede sobre la piel, puede favorecer la absorción de productos químicos peligrosos.

⚠ADVERTENCIA: El uso de esta herramienta puede generar o dispersar polvo lo cual puede causar lesiones respiratorias serias y permanentes y otros tipos de lesión. Siempre use protección respiratoria aprobada por NIOSH/OSHA para la exposición al polvo. Dirija las partículas en dirección opuesta a su cara y cuerpo.

⚠PRECAUCIÓN: Utilice una protección auditiva apropiada durante el uso. En determinadas condiciones y con

utilizaciones prolongadas, el ruido generado por este producto puede favorecer la pérdida de audición.

- La etiqueta de su herramienta puede incluir los siguientes símbolos. Los símbolos y sus definiciones son los siguientes:

| | |
|--|---|
| V..... voltios | A..... amperes |
| Hz..... hertz | W watts |
| min minutos | ~ corriente alterna |
| == .. corriente directa | n_0 velocidad sin carga |
| Ⓛ Construcción Clase I (con conexión a tierra) | Ⓧ terminal a tierra |
| Ⓛ Construcción Clase II (con aislamiento doble) | ⚠ símbolo de alerta de seguridad |
| BPM... golpes por minuto | .../min revoluciones o reciprocidad |
| sfpm... pies de superficie por minuto | por minuto |

CONSERVE ESTAS INSTRUCCIONES

COMPROBACIÓN Y CAMBIO DE LA HOJA DE SIERRA

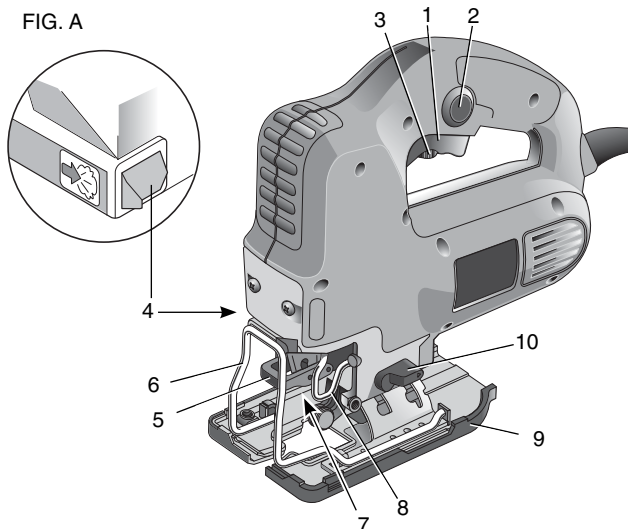
- Use sólo hojas de sierra que cumplan las especificaciones indicadas en estas instrucciones de uso.
- Sólo deben usarse hojas de sierra afiladas y en perfecto estado; las hojas de sierra con grietas o dobladas deben desecharse y cambiarse inmediatamente.
- Compruebe que la hoja de la sierra está bien sujeta.
- La hoja de sierra puede calentarse al trabajar. Por ello, cuando cambie la hoja compruebe que ya está fría, déjela enfriar o lleve guantes protectores si toca la hoja.

Descripción (fig. A)

La sierra caladora DW341 ha sido diseñada para el corte profesional de madera, acero, aluminio, plástico y material cerámico.

- 1 Interruptor de marcha/parada
- 2 Botón de funcionamiento continuo

- 3 Control de velocidad
- 4 Soplador de serrín
- 5 Cierre de la hoja
- 6 Protector de los dedos
- 7 Portahojas
- 8 Rodillo de guía
- 9 Zapata
- 10 Selector de la carrera del péndulo



Montaje y ajustes

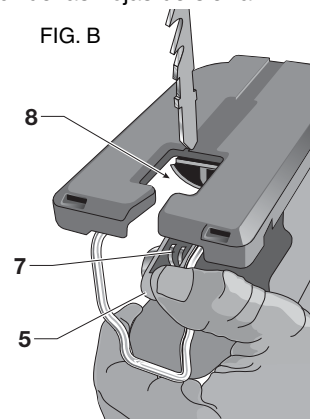
⚠ADVERTENCIA: Desenchufe la herramienta antes de proceder con el montaje y los ajustes.

AJUSTE Y RETIRADA DE LA HOJA DE SIERRA (FIG. B)

⚠ATENCIÓN: La hoja de sierra puede calentarse cuando se está utilizando. Por ello, cuando cambie la hoja compruebe que ya está fría, déjela enfriar o lleve guantes protectores si toca la hoja.

- El sistema de cambio de hojas independiente de la herramienta garantiza un cambio rápido y fácil de las hojas de sierra.
- Abra el portahojas (7) retirando totalmente el cierre de la hoja (5).
- Inserte la hoja de sierra en el portahojas (7) guiando la parte posterior de la hoja hacia la ranura del rodillo guía (8).
- Suelte el cierre de la hoja (5).
- Para sacar la hoja de sierra, retire totalmente el cierre de la hoja y sáquela del portahojas.

FIG. B

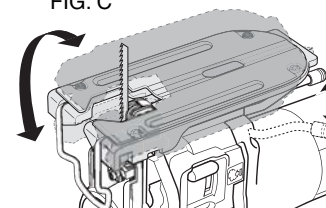


AJUSTE DEL ÁNGULO DE BISEL (FIG. C)

La zapata ajustable (9) permite el corte de ángulos oblicuos a izquierda y derecha hasta 45°. La escala de bisel tiene posiciones preajustadas de 0° y 45°.

- Afloje los tornillos (11) con la llave Torx suministrada.
- Deslice la zapata (9) hacia la hoja de sierra.
- Incline la zapata y ajuste el ángulo de bisel deseado utilizando la escala.
- Apriete los tornillos.

FIG. C



AJUSTE DE LA CARRERA DEL PÉNDULO (FIG. A)

La carrera ajustable del péndulo garantiza una carrera de corte perfecta para distintos materiales.

- Deslice el selector (10) hasta la posición deseada según la siguiente tabla. Puede manipularse el selector durante el funcionamiento.

| Pos. | Madera | Meta | Plásticos |
|------|---|------------------------|-------------------------------------|
| 2 | Cortes rápidos | – | PVC |
| 2 | Piezas de trabajo | – | Fibra de vidrio gruesas Acrílico |
| 1 | Contrachapado Aglomerado | Aluminio No ferroso | – |
| 0 | Piezas de trabajo finas Cortes finos | Chapa de metal | – |

MONTAJE DE LA CUBIERTA PLÁSTICA ANTIARAÑAZOS DE LA ZAPATA (FIG. D)

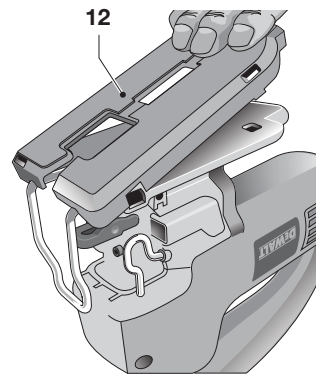
La cubierta antiarañazos de la zapata (12) reduce los daños a la superficie de las piezas de trabajo (delicadas).

- Encaje la cubierta sobre la zapata como se muestra.

Instrucciones para el uso**⚠ADVERTENCIA:**

- *Respete siempre las instrucciones de seguridad y las normas de aplicación.*

FIG. D



- Compruebe que el material esté bien sujeto. Retire clavos, tornillos u otros objetos que podrían dañar la hoja.
- Compruebe que hay espacio suficiente para la hoja debajo de la pieza de trabajo. No corte materiales que excedan la profundidad de corte máxima de la hoja.
- Utilice sólo hojas afiladas. Descarte de inmediato las hojas dañadas o dobladas.
- No use la herramienta para cortar tubos o cañerías.
- Nunca ponga en marcha la herramienta sin la hoja correspondiente.
- Para obtener los mejores resultados, mueva la herramienta sobre el material de manera suave y constante. No ejerza presión lateral sobre la hoja de la sierra. Mantenga la zapata de la sierra apoyada sobre el material y aleje el cable, sosteniéndolo en línea con la herramienta. Cuando corte curvas, círculos u otras formas redondeadas, empuje la herramienta hacia adelante con suavidad.
- Espere hasta que la herramienta se detenga por completo antes de retirar la hoja de la pieza con la que trabaja. Después de efectuar un corte es posible que la hoja se encuentre muy caliente. No la toque.

ENCENDIDO Y APAGADO (FIG. A)

- Para poner en marcha la herramienta, presione el interruptor de encendido/apagado (1).
- Para funcionamiento continuo, pulse el interruptor (1) y manténgalo en esta posición. Pulse el botón de bloqueo (2) y suelte el interruptor.
- Para parar la herramienta, suelte el interruptor.
- Para parar la herramienta en modo de funcionamiento continuo, pulse brevemente el interruptor y suéltelo. Siempre se debe

apagar la herramienta al acabar de trabajar y antes de desconectarla de la red.

AJUSTE DEL CONTROL ELECTRÓNICO DE VELOCIDAD DE SERRADO (FIG. E)

La velocidad de serrado varía en función de la presión ejercida sobre el interruptor de encendido/apagado (1).

- Para preajustar la velocidad de serrado, gire el control (3) hasta el nivel deseado. Cuanto más alto sea el nivel, más alta será la velocidad de serrado. El ajuste depende del espesor y la clase de material.
- Use las velocidades altas para serrar materiales blandos como la madera. Use las velocidades bajas para serrar metal.

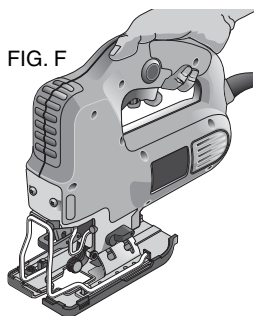
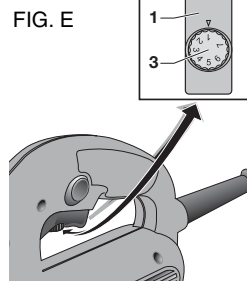
⚠ADVERTENCIA: Después de utilizar la herramienta durante un período prolongado con ajustes a baja velocidad, hágala funcionar aproximadamente 3 minutos a velocidad máxima sin carga.

CÓMO SUJETAR LA HERRAMIENTA (FIG. F)

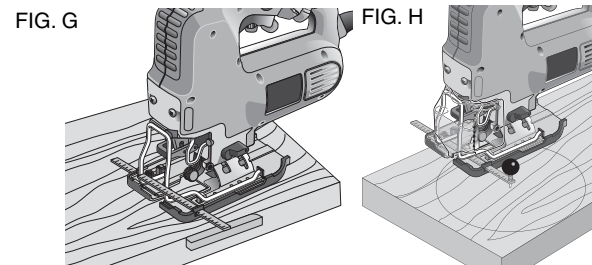
- Sujete la herramienta como se muestra.

CORTE DE MADERA

- Si es necesario, trace una línea de referencia.
- Encienda la herramienta.
- Presione la herramienta contra el material y siga la línea trazada.
- Para cortar en línea paralela al borde de la pieza en la que trabaja, instale la guía paralela y



dirija la sierra de calar a lo largo de la pieza, tal como se indica en la figura G.



CORTE DE MADERA CON UN ORIFICIO DE REFERENCIA

- Si es necesario, trace una línea para el corte.
- Perfore un orificio (\varnothing mín. 12 mm) e introduzca la hoja de la sierra.
- Encienda la herramienta.
- Siga la línea trazada.
- Para cortar formas perfectamente redondas, instale el compás de barra y ajústelo con el radio que desee (fig. H).

CORTE DE METAL

- Monte una hoja de sierra adecuada.
- Proceda de la manera antes descrita.

⚠ADVERTENCIA: Utilice un lubricante refrigerante (aceite para cuchillas) para evitar el sobrecalentamiento de la hoja de la sierra o del material con que trabaja.

MANTENIMIENTO

Limpieza

⚠PRECAUCIÓN: Sólo use una tela húmeda para limpiar las partes plásticas. Muchos limpiadores para uso doméstico pueden contener sustancias químicas que podrían dañar el plástico

considerablemente. Tampoco utilice gasolina, aguarrás, disolvente para barniz o pintura, líquidos para lavado en seco o productos similares que podrían dañar las partes plásticas considerablemente. Nunca permita que penetre líquido dentro de la herramienta ni sumerja ninguna de las piezas en un líquido.

Lubricación

LUBRICACIÓN DEL RODILLO GUÍA (FIG. B)

- Aplique una gota de aceite al rodillo guía (8) a intervalos regulares para evitar que se atasque.

Reparaciones

Para garantizar la SEGURIDAD y la CONFIABILIDAD, deberán hacerse reparaciones, mantenimiento y ajustes de esta herramienta en los centros autorizados de servicio DEWALT u otras organizaciones autorizadas. Estas organizaciones prestan servicio a las herramientas DEWALT y emplean siempre refacciones legítimas DEWALT.

ACCESORIOS

⚠ ADVERTENCIA: Debido a que no se han probado con este producto otros accesorios que no sean los que ofrece DEWALT, el uso de dichos accesorios podría ser peligroso. Para reducir el riesgo de lesiones, con este producto deben usarse sólo los accesorios DEWALT recomendados.

Los accesorios recomendados para su herramienta están disponibles por un cargo adicional en su distribuidor o centro de servicio autorizado local.

ACCESORIOS OPCIONALES

Consulte a su proveedor si desea información más detallada sobre los accesorios apropiados.

Éstos incluyen:

| | |
|--------|----------------------------------|
| DE3241 | Guía paralela |
| DE3242 | Barra de compás |
| DT2048 | Hoja de corte de dientes finos |
| DT2075 | Hoja de corte de dientes gruesos |
| DT2160 | Hoja de corte para metal |
| DT2074 | Hoja de corte para acabado |

Especificaciones

DW341

| | |
|--------------------------|--------------|
| Tensión de alimentación: | 120 V~/220 V |
| Frecuencia de operación: | 50-60 Hz |
| Potencia nominal: | 550 W |
| Rotación sin carga: | 0-3 100/min |

Definições: Diretrizes de Segurança

As definições a seguir descrevem o nível de gravidade para cada palavra sinalizadora. Leia o manual e preste atenção a estes símbolos.

▲ PERIGO: Indica uma situação de risco iminente que, se não for evitada, resultará em morte ou ferimentos graves.

▲ AVISO: Indica uma situação de risco potencial que, se não evitada, poderá resultar em morte ou ferimentos graves.

▲ CUIDADO: Indica uma situação de risco potencial que, se não evitada, poderá resultar em ferimentos leves ou moderados.

CUIDADO: Usado sem o símbolo de alerta de segurança indica uma situação de risco potencial que, se não evitada, poderá resultar em danos à propriedade.

Instruções gerais de segurança

▲ AVISO! Leia e compreenda todas as instruções. O não cumprimento de todas as instruções listadas abaixo pode resultar em choque elétrico, incêndio e/ou ferimentos graves

GUARDE ESTAS INSTRUÇÕES

ÁREA DE TRABALHO

- **Mantenha sua área de trabalho limpa e bem iluminada.** Bancadas desorganizadas e áreas escuras são um convite para acidentes.
- **Não opere ferramentas elétricas em ambientes explosivos, como na presença de líquidos, gases ou pós inflamáveis.** As ferramentas elétricas produzem faúlhas que podem incendiar o pó ou os vapores.

- **Mantenha visitantes, crianças e curiosos afastados durante a operação de uma ferramenta elétrica.** Distrações podem fazer com que você perca o controle.

SEGURANÇA ELÉTRICA

- **Não modifique o plugue de forma alguma.** O isolamento duplo elimina a necessidade de cabos de energia de três fios aterrados e sistema de fornecimento de energia aterrado. **Aplicável somente a ferramentas de Classe II (isolamento duplo).**
- **Evite que o corpo entre em contato com superfícies aterradas tais como canos, radiadores, fogões e refrigeradores.** O risco de choque elétrico é maior se o seu corpo estiver aterrado.
- **Não exponha ferramentas elétricas a condições de chuva ou umidade.** A água que entrar em uma ferramenta elétrica aumentará o risco de choque elétrico.
- **Não force o fio. Nunca utilize o fio para transportar ou desconectar a ferramenta da tomada. Mantenha o fio longe de calor, óleo, bordas afiadas ou partes móveis.** Substitua os fios danificados imediatamente. Fios danificados aumentam o risco de choque elétrico.
- **Ao operar uma ferramenta em local externo, utilize uma extensão para ambientes externos com marca “W-A” ou “W”.** Estes cabos são classificados para utilização em ambientes externos e reduzem o risco de choque elétrico. Ao utilizar uma extensão, assegure-se de usar uma suficientemente resistente para suportar a corrente elétrica que o seu produto demandará. Um cabo subdimensionado causa queda na voltagem, resultando em perda de potência e superaquecimento. A tabela a seguir exibe o tamanho correto a ser utilizado dependendo da extensão do cabo e da indicação da amperagem nominal. Em caso de dúvida, use o calibre imediatamente superior.

| Tensão (Volts) | Comprimento do cabo de extensão em Metros (m) | | | |
|-------------------------------------|--|---------|---------|-----------------|
| | 0 - 7 | 7 - 15 | 15 - 30 | 30 - 50 |
| 120 - 127V | 0 - 7 | 7 - 15 | 15 - 30 | 30 - 50 |
| 220 - 240V | 0 - 15 | 15 - 30 | 30 - 60 | 60 - 100 |
| Faixa de Corrente nominal (Ampéres) | Secção mínima do cabo de extensão em milímetros quadrados (mm ²) | | | |
| | 0 - 6A | 1.0 | 1.5 | 2.5 |
| | 6 - 10A | 1.0 | 1.5 | 2.5 |
| | 10 - 12A | 1.5 | 1.5 | 2.5 |
| | 12 - 16A | 2.5 | 4.0 | Não Recomendado |

SEGURANÇA PESSOAL

- **Permaneça alerta, observe com atenção o que você está fazendo e use o bom senso ao operar uma ferramenta elétrica. Não use a ferramenta quando estiver cansado ou sob o efeito de drogas, álcool ou medicamentos.** Um momento de desatenção durante a operação de ferramentas elétricas pode resultar em ferimentos graves.
- **Vista-se adequadamente. Não use roupas muito folgadas ou jóias. Prenda os cabelos longos. Mantenha os cabelos, as roupas e as luvas longe das partes móveis.** Roupas muito folgadas, jóias ou cabelos longos podem ficar presos nas partes móveis. Saídas de ar geralmente cobrem peças móveis e também devem ser evitadas.
- **Certifique-se de que a ferramenta esteja desligada antes de conectá-la.** Carregar ferramentas elétricas com o dedo no interruptor ou conectar ferramentas elétricas na tomada com o interruptor ligado é um convite para acidentes.

- **Remova as chaves ajustáveis ou chaves inglesas antes de ligar a ferramenta.** Uma chave inglesa ou uma chave deixada em uma parte giratória da ferramenta pode resultar em ferimentos.
- **Não se incline muito. Mantenha uma posição adequada dos pés e o equilíbrio durante o tempo inteiro.** Uma posição adequada e equilíbrio permitem um melhor controle da ferramenta em situações inesperadas.
- **Utilize equipamento de segurança. Sempre use proteção para os olhos.** Máscara contra poeira, sapatos de segurança antiderrapantes, capacete ou proteção auricular devem ser usados para condições apropriadas.

UTILIZAÇÃO E CUIDADOS COM A FERRAMENTA

- **Use braçadeiras ou outra maneira prática para prender e apoiar a peça a uma plataforma estável.** Segurar o trabalho com as mãos ou contra o corpo é instável e pode levar a perda de controle.
- **Não force a ferramenta. Use a ferramenta adequada à sua aplicação.** A ferramenta adequada fará o trabalho melhor e com mais segurança, na faixa para a qual foi projetada.
- **Não utilize a ferramenta se o interruptor não estiver ligando ou desligando.** Uma ferramenta que não pode ser controlada pelo interruptor é perigosa e deverá ser consertada.
- **Desconecte o plugue da fonte de alimentação antes de fazer qualquer ajuste, trocar acessórios ou guardar a ferramenta.** Estas medidas de segurança preventivas reduzem o risco de ativar a ferramenta de forma acidental.
- **Guarde as ferramentas inativas fora do alcance das crianças e de outras pessoas não treinadas.** Ferramentas são perigosas nas mãos de usuários sem treinamento.
- **Preserve as ferramentas com cuidado. Mantenha as ferramentas de corte afiadas e limpas.** Ferramentas de corte e pontas afiadas com manutenção apropriada têm menos probabilidade de emperrar e são mais fáceis de controlar.

- **Verifique se há partes móveis desalinhadas ou emperradas, peças quebradas e qualquer outra condição que possa afetar o funcionamento da ferramenta.** Se danificada, leve a ferramenta a uma assistência técnica antes de usá-la. Muitos acidentes são causados por manutenção deficiente das ferramentas elétricas.
- **Utilize somente acessórios que sejam recomendados pelo fabricante para o modelo de sua ferramenta.** Acessórios que podem ser apropriados para uma ferramenta, podem ser perigosos quando usados em outras.

ASSISTÊNCIA TÉCNICA

- **O conserto da ferramenta somente deve ser realizado por pessoal de reparo qualificado.** O conserto ou manutenção realizado por pessoal não qualificado pode resultar em risco de ferimentos.
- **Ao consertar uma ferramenta, use somente peças de substituição idênticas. Siga as instruções na seção de manutenção deste manual.** O uso de peças não autorizadas ou a falha em seguir as instruções de manutenção podem causar risco de choque ou ferimentos.

Instruções de segurança específicas adicionais para serras tico tico

- **Segure a ferramenta pelas superfícies isoladas ao executar uma atividade na qual a ferramenta de corte possa entrar em contato com cabos escondidos ou seu próprio cabo.** O contato com um cabo “energizado” fará com que as partes metálicas expostas da ferramenta fiquem “energizadas” e causarão um choque elétrico no operador.
- **Deixe que o motor pare completamente antes de remover a lâmina do entalho (a abertura criada pelo corte).** Uma lâmina em movimento pode golpear a peça causando quebra da lâmina, danos à peça ou perda de controle e possíveis ferimentos.

- **Mantenha as mãos secas, limpas e sem óleo ou graxa.** Isto permitirá um melhor controle da ferramenta.
- **Mantenha as lâminas afiadas.** Lâminas sem corte podem fazer com que serra dê uma guinada ou emperre sob pressão.
- **Limpe a sua ferramenta com frequência, especialmente após o uso prolongado.** Sujeira e areia contendo partículas de metal geralmente se acumulam nas superfícies internas e podem criar risco de choque elétrico.
- **Não opere esta ferramenta por longos períodos de tempo.** As vibrações causadas pela operação desta ferramenta podem causar ferimentos permanentes nos dedos, mãos e braços. Use luvas para fornecer amortecimento extra, faça períodos de descanso frequentes e limite o tempo de uso diário.

▲ **AVISO:** utilize sempre proteção para os olhos quando operar esta ferramenta.

▲ **AVISO:** a poeira criada pela ação de lixar, cortar, triturar e perfurar com ferramentas elétricas e outras atividades de construção contém produtos químicos conhecidos por causar câncer, defeitos congênitos ou outros problemas reprodutivos. Alguns exemplos destes produtos químicos são:

- chumbo de tintas à base de chumbo,
- sílica cristalina de tijolos e de cimento e outros produtos de alvenaria e
- arsênico e cromo de madeiras tratadas quimicamente (CCA).

O risco a estas exposições varia, dependendo da frequência com que você faz este tipo de trabalho. Para reduzir a exposição a estes produtos químicos: trabalhe em uma área bem ventilada e com o equipamento de segurança aprovado, como máscaras para pó que sejam especialmente desenvolvidas para filtrar partículas microscópicas.

- **Evite o contato prolongado com a poeira da atividade de lixar, cortar, triturar e perfurar com ferramentas elétricas e outras atividades de construção. Use roupas de proteção e**

lave as áreas expostas com água e sabão. Permitir que o pó entre na sua boca, olhos ou que permaneça na sua pele poderá facilitar a absorção de produtos químicos nocivos.

⚠AVISO: o uso desta ferramenta pode gerar e/ou desprender pó, o que pode causar problemas respiratórios graves e permanentes ou outros ferimentos. Use sempre proteção respiratória aprovada pelo NIOSH/OSHA e apropriada para a exposição ao pó. Direcione as partículas para longe da face e do corpo.

⚠AVISO: utilize equipamento de proteção auricular apropriado durante o uso. Sob algumas condições e duração do uso, o ruído deste produto pode contribuir para a perda de audição.

• A etiqueta na sua ferramenta pode incluir os seguintes símbolos.

Os símbolos e suas definições são as seguintes:

| | |
|---|---|
| V..... volts | A amperes |
| Hz hertz | W watts |
| min..... minutos | ~ corrente alternada |
| == corrente contínua | n ₀ velocidade sem carga |
| ⚠ Construção Classe I (aterrado) | ⊕ terminal de aterramento |
| ⊞ Construção Classe II (isolamento duplo) | ⚠ símbolo de alerta de segurança |
| GPM golpes por minuto | .../min.... revoluções ou alterações por minuto |

GUARDE ESTAS INSTRUÇÕES

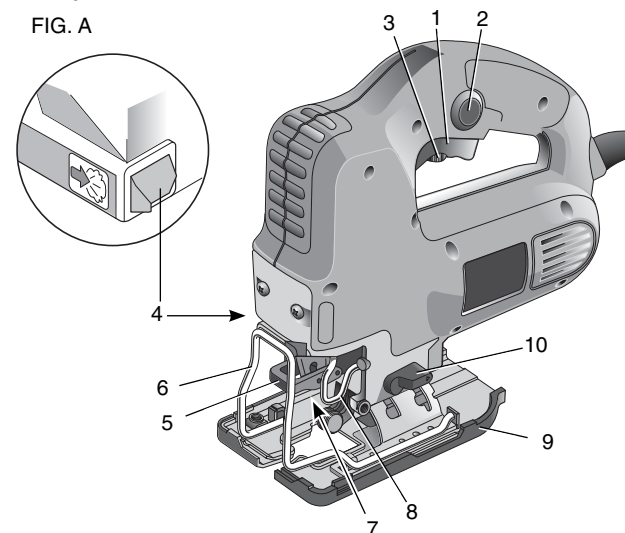
VERIFICAR E MUDAR A LÂMINA DA SERRA

- Utilize apenas lâminas de serra que estejam em conformidade com as especificações contidas nestas instruções de funcionamento.
- Apenas devem ser utilizadas lâminas de serra afiadas em perfeitas condições de funcionamento; lâminas de serra fendidas ou dobradas devem ser eliminadas e substituídas de

imediatamente.

- Certifique-se de que a lâmina da serra está fixa de forma segura.
- A lâmina da serra pode estar quente devido ao processo de trabalho. Por isso, quando mudar a lâmina, certifique-se de que está fria ou de que arrefeceu o suficiente, ou use luvas de proteção ao tocar na lâmina.

FIG. A



Descrição (fig. A)

A sua serra tico-tico DW341 foi concebida para o corte profissional de produtos de madeira, aço, alumínio, plástico e cerâmica.

- 1 Interruptor on/off
- 2 Botão de bloqueio do interruptor
- 3 Controle de velocidade

- 4 Soprador
- 5 Fecho da lâmina
- 6 Proteção para os dedos
- 7 Suporte da lâmina
- 8 Rolo guia
- 9 Pé
- 10 Seletor de curso do pêndulo

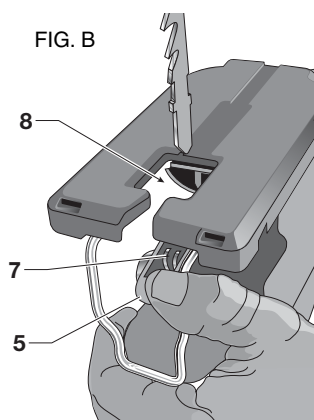
Montagem e afinação

AVISO: Antes da montagem de acessórios e da afinação retire sempre a ficha da tomada.

COLOCAÇÃO E REMOÇÃO DA LÂMINA DA SERRA (FIG. B)

AVISO: A lâmina da serra pode estar quente devido ao processo de trabalho. Por isso, quando mudar a lâmina da serra, certifique-se de que está fria ou de que arrefeceu o suficiente, ou use luvas de proteção ao tocar na lâmina.

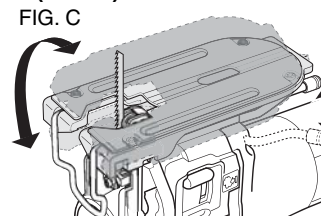
- O sistema de substituição de lâmina sem ferramenta garante a substituição rápida e fácil das lâminas da serra.
- Abra o suporte da lâmina (7) retraíndo totalmente o fecho da lâmina (5).
- Insira a lâmina da serra no suporte da lâmina (7) guiando a parte de trás da lâmina para a ranhura no rolo guia (8).
- Solte o fecho da lâmina (5).



- Para retirar a lâmina da serra, retraia totalmente o fecho da lâmina e puxe a lâmina para fora do suporte da lâmina.

AJUSTE DO ÂNGULO DE CORTE (FIG. C)

A sapata ajustável (9) permite o corte em ângulos de corte à direita e à esquerda até 45°. A escala angular tem posições pré-determinadas para 0° e 45°.



- Desaperte os parafusos (11) utilizando a chave Torx fornecida.
- Faça deslizar o pé (9) na direcção da lâmina da serra.
- Incline o pé e defina o ângulo de corte desejado, utilizando a escala.
- Aperte os parafusos.

AJUSTE DO DA AÇÃO PENDULAR (FIG. A)

Da ação pendular garante um curso de corte perfeito para materiais diferentes.

- Faça deslizar o selector (10) para a posição desejada consultando a tabela abaixo. O selector pode ser manipulado durante o funcionamento.

| Pos. | Madeira | Metal | Plásticos |
|------|---|-------------------------|-------------------------------------|
| 2 | Cortes rápidos | – | PVC |
| 2 | Peças de trabalho | – | Fibra de vidro espessas Acrílico |
| 1 | Prancha Aglomerado | Alumínio Não ferroso | – |
| 0 | Peças de trabalho finas Cortes de precisão | Metal branco | – |

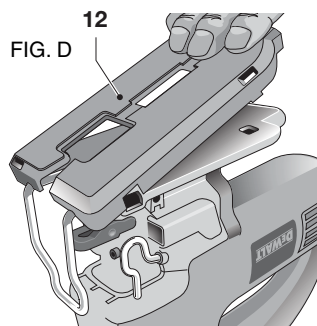
MONTAGEM DA PROTEÇÃO SAPATA (FIG. D)

Proteção sapata (12) reduz os danos na superfície de peças de trabalho (sensíveis).

- Encaixe a tampa no pé, conforme mostrado.

Modo de emprego**⚠ AVISO:**

- *Cumpra sempre as instruções de segurança e os regulamentos aplicáveis.*
- *Assegure-se que a peça a cortar está bem presa. Remova pregos, parafusos e outros dispositivos de bloqueio que possam danificar a lâmina.*
- *Verifique se há espaço suficiente para a lâmina por baixo da peça de trabalho. Não corte os materiais que excedam a profundidade máxima de corte da lâmina.*
- *Use sómente lâminas afiadas. Lâminas danificadas ou dobradas devem ser substituídas imediatamente.*
- *Não utilize a ferramenta para cortar canos ou tubos.*
- *Nunca coloque em funcionamento a ferramenta sem a lâmina.*
- *Para otimizar os resultados, acione a ferramenta gradualmente e constantemente sobre a peça. Não efectue pressões laterais na lâmina. Mantenha a base sobre a peça ser cortada e afaste o cabo de alimentação mantendo-o alinhado com o lado posterior da ferramenta. Para o corte de curvas, círculos ou outras superfícies arredondadas, empurre a ferramenta ligeiramente para frente.*
- *Espere até que a ferramenta tenha parado de funcionar antes de remover a lâmina da peça trabalhada. Depois de cortar a lâmina pode estar quente. Não toque.*

**LIGAR E DESLIGAR (FIG. A)**

- Para ligar a máquina pressione o interruptor (1).
- Para funcionamento contínuo, pressione continuamente o interruptor (1). Pressione o botão de bloqueio (2) e libere o interruptor.
- Para desligar a máquina, liberte o interruptor.
- Para parar a ferramenta quando esta se encontrar em operação contínua, pressione levemente o interruptor "on/off" e volte a soltá-lo. Desligue sempre a ferramenta quando acabar de trabalhar e antes de desligar da rede.

REGULAGEM ELECTRÓNICA DE VELOCIDADE DE CORTE (FIG. E)

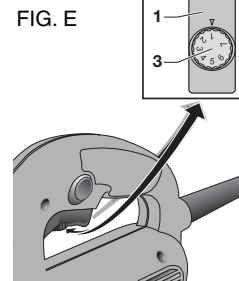
A velocidade de corte varia com a pressão exercida sobre o interruptor on/off (1).

- Para predefinir a velocidade de serragem, rode o controle (3) para o nível desejado. Quanto maior o número, mais alta a velocidade de corte. A regulação necessária depende da espessura e do tipo de material.
- Utilize velocidades elevadas para cortar materiais moles como madeira. Utilize velocidades baixas para cortar metais.

⚠ AVISO: Após utilizar a ferramenta durante um longo período de tempo a regulação de velocidade baixas, deixe-a a funcionar durante aproximadamente 3 minutos na velocidade máxima sem carga.

MANUSEAMENTO DA FERRAMENTA (FIG. F)

- Segure na ferramenta como mostrado.



PARA CORTAR MADEIRA

- Se for necessário, desenhe uma linha de corte para referência na peça a trabalhar.
- Ligue a ferramenta.
- Segure a ferramenta contra a peça e siga a linha de corte desenhada anteriormente.

PARA CORTAR MADEIRA UTILIZANDO UM ORIFÍCIO PILOTO

- Se for necessário, desenhe uma linha de corte para referência na peça a trabalhar.
- Faça um orifício (\varnothing mín. 12 mm) e introduza a lâmina.
- Siga a linha de corte desenhada anteriormente.
- Para cortar formas perfeitamente redondas, instale a guia de corte em círculo e regule-a no raio que for requerido (fig. H).

FIG. G

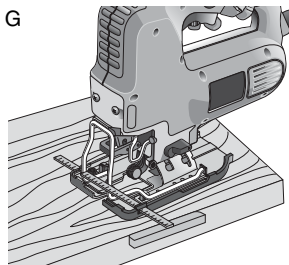


FIG. F

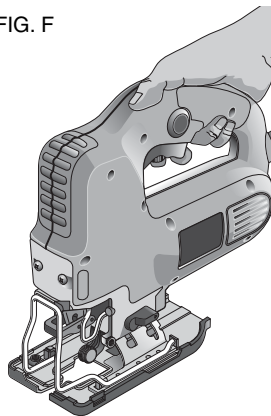
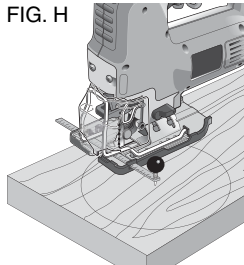


FIG. H



PARA CORTAR METAIS

- Monte uma lâmina apropriada.
- Proceda como descrito anteriormente.

⚠ AVISO: Utilize um lubrificante de refrigeração (óleo para corte) para evitar o sobreaquecimento da lâmina ou da peça.

MANUTENÇÃO

Limpeza

⚠ AVISO: ao limpar, use apenas pano úmido em peças plásticas. Diversos limpadores domésticos contêm produtos químicos que podem danificar gravemente o plástico. Além disso, não use gasolina, laca ou solvente de tintas, fluidos para limpeza a seco ou produtos semelhantes que podem danificar seriamente as peças plásticas. Nunca deixe que nenhum líquido penetre na ferramenta; nunca mergulhe nenhuma peça da ferramenta em líquidos.

Lubrificação

LUBRIFICAR O ROLO GUIA (FIG. B)

- Aplique uma gota de óleo no rolo guia (8) a intervalos regulares para evitar que encrave.

Reparos

Para assegurar a SEGURANÇA e a CONFIABILIDADE da ferramenta, os reparos, a manutenção e os ajustes (incluindo inspeção e substituição da escova) devem ser realizados por um centro de assistência técnica autorizado da DEWALT ou outra equipe técnica qualificada. Use sempre peças de reposição originais.

SOLAMENTE PARA PROPÓSITO DE MÉXICO:
IMPORTADO POR: BLACK & DECKER S.A. DE C.V.
BOSQUES DE CIDROS, ACCESO RADIATAS NO. 42
3A. SECCIÓN DE BOSQUES DE LAS LOMAS
DELEGACIÓN CUAJIMALPA,
05120, MÉXICO, D.F.
TEL. (52) 555-326-7100
R.F.C.: BDE810626-1W7

IMPORTED BY/IMPORTADO POR:
BLACK & DECKER DO BRASIL LTDA.
ROD. BR 050, S/Nº - KM 167
DIST. INDUSTRIAL II
UBERABA – MG – CEP: 38064-750
CNPJ: 53.296.273/0001-91
INSC. EST.: 701.948.711.00-98
S.A.C.: 0800-703-4644

MAQUINAS Y HERRAMIENTAS BLACK & DECKER CHILE S.A.
AVDA. EDUARDO FREI M. #6001 EDIFICIO 67
CONCHALI-SANTIAGO
CHILE

SOLAMENTE PARA PROPÓSITO DE ARGENTINA:
IMPORTADO POR: BLACK & DECKER ARGENTINA S.A.
PACHECO TRADE CENTER
COLECTORA ESTE DE RUTA PANAMERICANA
KM. 32.0 EL TALAR DE PACHECO
PARTIDO DE TIGRE
BUENOS AIRES (B1618FBQ)
REPÚBLICA DE ARGENTINA
NO. DE IMPORTADOR: 1146/66
TEL. (011) 4726-4400

HECHO EN CHINA

FABRICADO NA CHINA

MADE IN CHINA

DeWALT Industrial Tool Co., 701 East Joppa Road, Baltimore, MD 21286 (DEC08) Part No. 1009194-00 DW341

Copyright © 2008 DeWALT

The following are trademarks for one or more DeWALT power tools: the yellow and black color scheme; the “D” shaped air intake grill; the array of pyramids on the handgrip; the kit box configuration; and the array of lozenge-shaped humps on the surface of the tool.