

**Questions? See us on the World Wide Web at [www.dewalt.com](http://www.dewalt.com)**  
**¿Dudas? Visítenos en Internet: [www.dewalt.com](http://www.dewalt.com)**  
**Dúvidas? Visite-nos na Internet em [www.dewalt.com.br](http://www.dewalt.com.br)**

**INSTRUCTION MANUAL**  
**MANUAL DE INSTRUCCIONES**  
**MANUAL DE INSTRUÇÕES**

INSTRUCTIVO DE OPERACIÓN, CENTROS DE SERVICIO Y PÓLIZA DE GARANTÍA. **ADVERTENCIA:** LÉASE ESTE INSTRUCTIVO ANTES DE USAR EL PRODUCTO.

INSTRUÇÕES DE OPERAÇÃO, CENTRO DE SERVIÇOS E CERTIFICADO DE GARANTIA. **ADVERTÊNCIA:** LEIA ESTAS INSTRUÇÕES ANTES DE UTILIZAR O PRODUTO.

---

# DEWALT®

---

**D28090**  
**Angle Grinder**  
**Esmeriladora Angular**  
**Esmerilhadeira Angular**



### Definitions: Safety Guidelines

The definitions below describe the level of severity for each signal word. Please read the manual and pay attention to these symbols.

**▲ DANGER:** Indicates an imminently hazardous situation which, if not avoided, **will** result in **death or serious injury**.

**▲ WARNING:** Indicates a potentially hazardous situation which, if not avoided, **could** result in **death or serious injury**.

**▲ CAUTION:** Indicates a potentially hazardous situation which, if not avoided, **may** result in **minor or moderate injury**.

**CAUTION:** Used without the safety alert symbol indicates a potentially hazardous situation which, if not avoided, **may** result in **property damage**.



**WARNING:** To reduce the risk of injury, read the instruction manual.

### General Power Tool Safety Warnings



**WARNING!** Read all safety warnings and all instructions. Failure to follow the warnings and instructions may result in electric shock, fire and/or serious injury.

### SAVE ALL WARNINGS AND INSTRUCTIONS FOR FUTURE REFERENCE

The term "power tool" in the warnings refers to your mains-operated (corded) power tool or battery-operated (cordless) power tool.

#### 1) WORK AREA SAFETY

- a) **Keep work area clean and well lit.** Cluttered or dark areas invite accidents.
- b) **Do not operate power tools in explosive atmospheres, such as in the presence of flammable liquids, gases or dust.** Power tools create sparks which may ignite the dust or fumes.

- c) **Keep children and bystanders away while operating a power tool.** Distractions can cause you to lose control.

#### 2) ELECTRICAL SAFETY

- a) **Power tool plugs must match the outlet. Never modify the plug in any way. Do not use any adapter plugs with earthed (grounded) power tools.** Unmodified plugs and matching outlets will reduce risk of electric shock.
- b) **Avoid body contact with earthed or grounded surfaces such as pipes, radiators, ranges and refrigerators.** There is an increased risk of electric shock if your body is earthed or grounded.
- c) **Do not expose power tools to rain or wet conditions.** Water entering a power tool will increase the risk of electric shock.
- d) **Do not abuse the cord. Never use the cord for carrying, pulling or unplugging the power tool. Keep cord away from heat, oil, sharp edges or moving parts.** Damaged or entangled cords increase the risk of electric shock.
- e) **When operating a power tool outdoors, use an extension cord suitable for outdoor use.** Use of a cord suitable for outdoor use reduces the risk of electric shock.
- f) **If operating a power tool in a damp location is unavoidable, use a residual current device (RCD) protected supply.** Use of an RCD reduces the risk of electric shock.

#### 3) PERSONAL SAFETY

- a) **Stay alert, watch what you are doing and use common sense when operating a power tool. Do not use a power tool while you are tired or under the influence of drugs, alcohol or medication.** A moment of inattention while operating power tools may result in serious personal injury.
- b) **Use personal protective equipment. Always wear eye protection.** Protective equipment such as dust mask, non-

skid safety shoes, hard hat, or hearing protection used for appropriate conditions will reduce personal injuries.

- c) **Prevent unintentional starting. Ensure the switch is in the off position before connecting to power source and/or battery pack, picking up or carrying the tool.** Carrying power tools with your finger on the switch or energising power tools that have the switch on invites accidents.
- d) **Remove any adjusting key or wrench before turning the power tool on.** A wrench or a key left attached to a rotating part of the power tool may result in personal injury.
- e) **Do not overreach. Keep proper footing and balance at all times.** This enables better control of the power tool in unexpected situations.
- f) **Dress properly. Do not wear loose clothing or jewellery. Keep your hair, clothing and gloves away from moving parts.** Loose clothes, jewellery or long hair can be caught in moving parts.
- g) **If devices are provided for the connection of dust extraction and collection facilities, ensure these are connected and properly used.** Use of dust collection can reduce dust-related hazards.

#### 4) POWER TOOL USE AND CARE

- a) **Do not force the power tool. Use the correct power tool for your application.** The correct power tool will do the job better and safer at the rate for which it was designed.
- b) **Do not use the power tool if the switch does not turn it on and off.** Any power tool that cannot be controlled with the switch is dangerous and must be repaired.
- c) **Disconnect the plug from the power source and/or the battery pack from the power tool before making any adjustments, changing accessories, or storing power tools.** Such preventive safety measures reduce the risk of starting the power tool accidentally.

- d) **Store idle power tools out of the reach of children and do not allow persons unfamiliar with the power tool or these instructions to operate the power tool.** Power tools are dangerous in the hands of untrained users.
- e) **Maintain power tools. Check for misalignment or binding of moving parts, breakage of parts and any other condition that may affect the power tool's operation. If damaged, have the power tool repaired before use.** Many accidents are caused by poorly maintained power tools.
- f) **Keep cutting tools sharp and clean.** Properly maintained cutting tools with sharp cutting edges are less likely to bind and are easier to control.
- g) **Use the power tool, accessories and tool bits etc., in accordance with these instructions taking into account the working conditions and the work to be performed.** Use of the power tool for operations different from those intended could result in a hazardous situation.

#### 5) SERVICE

- a) **Have your power tool serviced by a qualified repair person using only identical replacement parts.** This will ensure that the safety of the power tool is maintained.

### **ADDITIONAL SPECIFIC SAFETY RULES** **Safety Instructions for All Operations**

- a) **This power tool is intended to function as a grinder, sander, wire brush, polisher or cut-off tool. Read all safety warnings, instructions, illustrations and specifications provided with this power tool.** Failure to follow all instructions listed below may result in electric shock, fire and/or serious injury.
- b) **Do not use accessories which are not specifically designed and recommended by the tool manufacturer.** Just because the accessory can be attached to your power tool, it does not assure safe operation.

- c) **The rated speed of the accessory must be at least equal to the maximum speed marked on the power tool.** Accessories running faster than their rated speed can break and fly apart.
- d) **The outside diameter and the thickness of your accessory must be within the capacity rating of your power tool.** Incorrectly sized accessories cannot be adequately guarded or controlled.
- e) **The arbour size of wheels, flanges, backing pads or any other accessory must properly fit the spindle of the power tool.** Accessories with arbour holes that do not match the mounting hardware of the power tool will run out of balance, vibrate excessively and may cause loss of control.
- f) **Do not use a damaged accessory. Before each use inspect the accessory such as abrasive wheel for chips and cracks, backing pad for cracks, tear or excess wear, wire brush for loose or cracked wires. If power tool or accessory is dropped, inspect for damage or install an undamaged accessory. After inspecting and installing an accessory, position yourself and bystanders away from the plane of the rotating accessory and run the power tool at maximum no-load speed for one minute. Damaged accessories will normally break apart during this test time.**
- g) **Wear personal protective equipment. Depending on application, use face shield, safety goggles or safety glasses. As appropriate, wear dust mask, hearing protectors, gloves and shop apron capable of stopping small abrasive or workpiece fragments.** The eye protection must be capable of stopping flying debris generated by various operations. The dust mask or respirator must be capable of filtrating particles generated by your operation. Prolonged exposure to high intensity noise may cause hearing loss.
- h) **Keep bystanders a safe distance away from work area. Anyone entering the work area must wear personal protective equipment.** Fragments of workpiece or of a broken accessory may fly away and cause injury beyond immediate area of operation.
- i) **Hold power tool by insulated gripping surfaces only, when performing an operation where the cutting accessory may contact hidden wiring or its own cord.** Cutting accessory contacting a "live" wire may make exposed metal parts of the power tool "live" and shock the operator.
- j) **Position the cord clear of the spinning accessory.** If you lose control, the cord may be cut or snagged and your hand or arm may be pulled into the spinning accessory.
- k) **Never lay the power tool down until the accessory has come to a complete stop.** The spinning accessory may grab the surface and pull the power tool out of your control.
- l) **Do not run the power tool while carrying it at your side.** Accidental contact with the spinning accessory could snag your clothing, pulling the accessory into your body.
- m) **Regularly clean the power tool's air vents.** The motor's fan will draw the dust inside the housing and excessive accumulation of powdered metal may cause electrical hazards.
- n) **Do not operate the power tool near flammable materials.** Sparks could ignite these materials.
- o) **Do not use accessories that require liquid coolants.** Using water or other liquid coolants may result in electrocution or shock.

### **Causes and Operator Prevention of Kickback**

- Kickback is a sudden reaction to a pinched or snagged rotating wheel, backing pad, brush or any other accessory. Pinching or snagging causes rapid stalling of the rotating

accessory which in turn causes the uncontrolled power tool to be forced in the direction opposite of the accessory's rotation at the point of the binding.

- For example, if an abrasive wheel is snagged or pinched by the workpiece, the edge of the wheel that is entering into the pinch point can dig into the surface of the material causing the wheel to climb out or kick out. The wheel may either jump toward or away from the operator, depending on direction of the wheel's movement at the point of pinching. Abrasive wheels may also break under these conditions.
- Kickback is the result of tool misuse and/or incorrect operating procedures or conditions and can be avoided by taking proper precautions as given below:
  - a) **Maintain a firm grip on the power tool and position your body and arm to allow you to resist kickback forces. Always use auxiliary handle, if provided, for maximum control over kickback or torque reaction during start up.** The operator can control torque reaction or kickback forces, if proper precautions are taken.
  - b) **Never place your hand near the rotating accessory.** Accessory may kickback over your hand.
  - c) **Do not position your body in the area where power tool will move if kickback occurs.** Kickback will propel the tool in direction opposite to the wheel's movement at the point of snagging.
  - d) **Use special care when working corners, sharp edges etc. Avoid bouncing and snagging the accessory.** Corners, sharp edges or bouncing have a tendency to snag the rotating accessory and cause loss of control or kickback.
  - e) **Do not attach a saw chain woodcarving blade or toothed saw blade.** Such blades create frequent kickback and loss of control.

## Safety Warnings Specific for Grinding Operations

- a) **Use only wheel types that are recommended for your power tool and the specific guard designed for the selected wheel.** Wheels for which the power tool was not designed cannot be adequately guarded and are unsafe.
- b) **The guard must be securely attached to the power tool and positioned for maximum safety, so the least amount of wheel is exposed towards the operator.** The guard helps to protect operator from broken wheel fragments and accidental contact with wheel.
- c) **Wheels must be used only for recommended applications. For example: do not grind with the side of cut-off wheel.** Abrasive cut-off wheels are intended for peripheral grinding, side forces applied to these wheels may cause them to shatter.
- d) **Always use undamaged wheel flanges that are of correct size and shape for your selected wheel.** Proper wheel flanges support the wheel thus reducing the possibility of wheel breakage. Flanges for cut-off wheels may be different from grinding wheel flanges.
- e) **Do not use worn down wheels from larger power tools.** Wheel intended for larger power tool is not suitable for the higher speed of a smaller tool and may burst.

## Safety Warnings Specific for Wire Brushing Operations

- a) **Be aware that wire bristles are thrown by the brush even during ordinary operation. Do not overstress the wires by applying excessive load to the brush.** The wire bristles can easily penetrate light clothing and/or skin.
- b) **If the use of a guard is recommended for wire brushing, do not allow any interference of the wire wheel or brush**

*with the guard. Wire wheel or brush may expand in diameter due to work and centrifugal forces.*

### **Additional Safety Warnings for Grinders**

- **An extension cord must have adequate wire size (AWG or American Wire Gauge) for safety.** The smaller the gauge number of the wire, the greater the capacity of the cable, that is 16 gauge has more capacity than 18 gauge. An undersized cord will cause a drop in line voltage resulting in loss of power and overheating. When using more than one extension to make up the total length, be sure each individual extension contains at least the minimum wire size. The following table shows the correct size to use depending on cord length and nameplate ampere rating. If in doubt, use the next heavier gauge. The smaller the gauge number, the heavier the cord.

Voltage (Volts)	Total length of cord in meters (m)			
	0 - 7	7 - 15	15 - 30	30 - 50
120 - 127V	0 - 7	7 - 15	15 - 30	30 - 50
220 - 240V	0 - 15	15 - 30	30 - 60	60 - 100
Rated Ampere range	Minimal cross-sectional area of the cord in meters (mm <sup>2</sup> )			
	1.0	1.5	2.5	4.0
0 - 6A	1.0	1.5	2.5	4.0
6 - 10A	1.0	1.5	2.5	4.0
10 - 12A	1.5	1.5	2.5	4.0
12 - 16A	2.5	4.0	Not Recommended	

**⚠ WARNING: Always use eye protection.** All users and bystanders must wear eye protection that conforms to ANSI Z87.1.

**⚠ WARNING: Always wear proper personal hearing protection that conforms to ANSI S12.6 (S3.19) during use.** Under some conditions and duration of use, noise from this product may contribute to hearing loss.

**⚠ WARNING:** Some dust created by power sanding, sawing, grinding, drilling, and other construction activities contains chemicals known to cause cancer, birth defects or other reproductive harm. Some examples of these chemicals are:

- lead from lead-based paints,
- crystalline silica from bricks and cement and other masonry products, and
- arsenic and chromium from chemically-treated lumber (CCA).

Your risk from these exposures varies, depending on how often you do this type of work. To reduce your exposure to these chemicals: work in a well ventilated area, and work with approved safety equipment, such as those dust masks that are specially designed to filter out microscopic particles.

- **Avoid prolonged contact with dust from power sanding, sawing, grinding, drilling, and other construction activities. Wear protective clothing and wash exposed areas with soap and water.** Allowing dust to get into your mouth, eyes, or lay on the skin may promote absorption of harmful chemicals.

**⚠ WARNING:** Use of this tool can generate and/or disburse dust, which may cause serious and permanent respiratory or other injury. Always use NIOSH/OSHA approved respiratory protection appropriate for the dust exposure. Direct particles away from face and body.

**⚠ WARNING:** ALWAYS USE SAFETY GLASSES. Everyday eyeglasses are NOT safety glasses. Also use face or dust mask if cutting operation is dusty. All users and bystanders MUST ALWAYS wear certified safety equipment:

- ANSI Z87.1 eye protection (CAN/CSA Z94.3),
- ANSI S12.6 (S3.19) hearing protection,
- NIOSH/OSHA/MSHA respiratory protection.

- The label on your tool may include the following symbols. The symbols and their definitions are as follows:

V..... volts	A ..... amperes
Hz ..... hertz	W ..... watts
min..... minutes	~ ..... alternating current
== ..... direct current	$n_0$ ..... no load speed
⚠..... Class I Construction (grounded)	⊕ ..... earthing terminal
▢..... Class II Construction (double insulated)	⚠..... safety alert symbol
BPM..... beats per minute	.../min.... revolutions or reciprocation
sfp ..... surface feet per minute (sfp)	per minute

## DESCRIPTION (FIG. 1)

**⚠ WARNING:** Never modify the power tool or any part of it. Damage or personal injury could result.

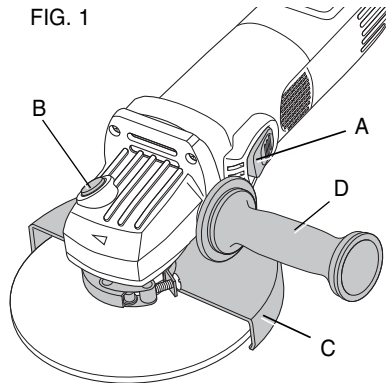
- A. On/off switch
- B. Spindle lock
- C. Guard
- D. Side handle

### INTENDED USE

Your angle grinder has been designed for professional grinding and cutting applications.

**DO NOT** use under wet conditions or in presence of flammable liquids or gases.

FIG. 1



**DO NOT** use grinding wheels other than center depressed wheels and flap-disk.

This heavy-duty angle grinder is a professional power tool. **DO NOT** let children come into contact with the tool. Supervision is required when inexperienced operators use this tool.

## ASSEMBLY AND ADJUSTMENTS

**⚠ WARNING:** To reduce the risk of injury, turn unit off and disconnect tool from power source before installing and removing accessories, before making any adjustments or removing/installing attachments or accessories.

**⚠ WARNING:** Prior to assembly and adjustment, **ALWAYS** unplug tool.

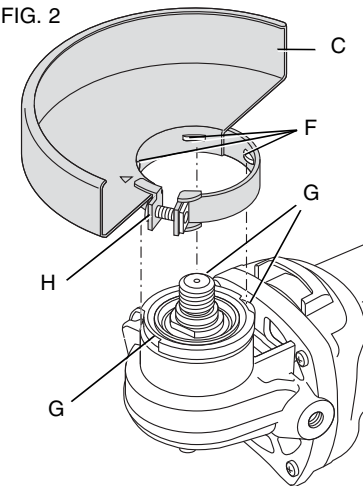
**⚠ WARNING:** Never use the tool without the guard in place.

## Mounting and Removing the Guard (Fig. 2)

**⚠ WARNING:** Turn off and unplug the tool before making any adjustments or removing or installing attachments or accessories. Before reconnecting the tool, depress and release the paddle switch to ensure that the tool is off.

- Place the angle grinder on a table, spindle up.
- Align the lugs (F) with the notches (G).
- Press the guard down and rotate it to the required position.

FIG. 2





- Securely tighten the screw (H).
- To remove the guard, slacken the screw.

FIG. 3A

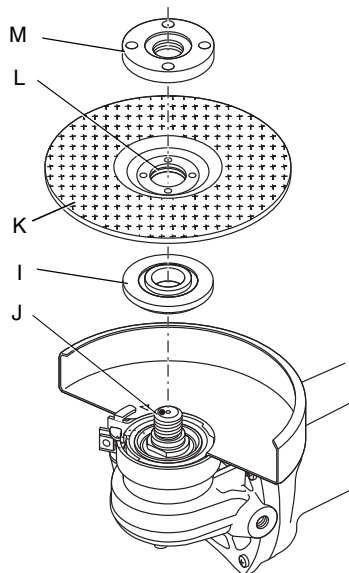
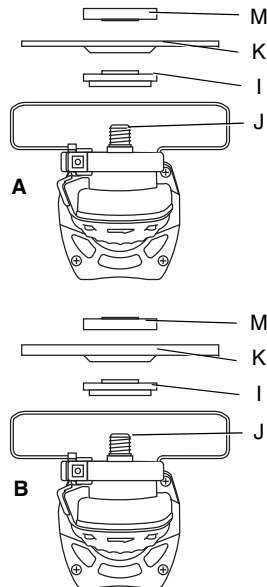


FIG. 3B



### Fitting and Removing a Grinding or Cutting Disc (Fig. 3A, 3B)

- Place the tool on a table, guard up.
- Fit the inner flange (I) correctly onto the spindle (J) (fig. 3A).
- Place the disc (K) on the flange (I). When fitting a disc with a raised center, make sure that the raised center (L) is facing the flange (I).

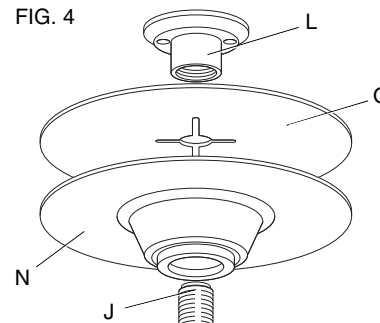
- Screw the outer flange (M) onto the spindle (J) (fig. 3B):
  - the ring on the flange (M) must face towards the disc when fitting a grinding disc (K);
  - the ring on the flange (M) must face away from the disc when fitting a cutting disc.
- Press the spindle lock (B) and rotate the spindle (J) until it locks in position.
- Tighten the flange (M) with the two-pin spanner supplied.
- Release the spindle lock.
- To remove the disc, loosen the flange (M) with the two-pin spanner.

**⚠ WARNING:** Do not use a damaged disc.

### Fitting a Wire Cup Brush

Screw the wire cup brush directly onto the spindle without using the spacer and threaded flange.

FIG. 4



### Mounting and Removing the Rubber Backing Pad (Fig. 4)

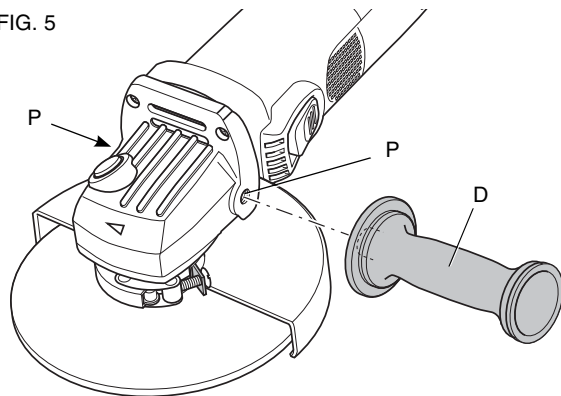
The rubber backing pad is available as an option.

- Remove the guard from the tool.

2. Press the backing pad (N) onto the spindle (J). The inner flange is not needed.
3. Position the abrasive disc (O) on the pad.
4. Screw the outer flange (M) onto the spindle (J).
5. Press the spindle lock (B) and rotate the pad (N) until it locks in position.
6. Tighten the flange (M) using the two-pin spanner supplied.
7. Release the spindle lock.

To remove the pad, loosen the flange (M) with the two-pin spanner.

FIG. 5



### Mounting the Side Handle (Fig. 5)

Screw the side handle (D) tightly into one of the holes (P) on either side of the gear case.

## OPERATION

**⚠ WARNING:** To reduce the risk of injury, turn unit off and disconnect tool from power source before installing and removing accessories, before making any adjustments or removing/installing attachments or accessories.

**⚠ WARNING:** Allow the tool to reach full speed before touching tool to the work surface. Lift the tool from the work surface before turning the tool off.

**⚠ WARNING:** Ensure all materials to be ground or cut are secured in place.

**⚠ WARNING:** Apply only a gentle pressure to the tool. Do not exert side pressure on the disc.

**⚠ WARNING:** Avoid overloading. Should the tool become hot, let it run a few minutes under no load condition.

### Prior to Operation

- Install the guard and appropriate disc or wheel. Do not use excessively worn discs or wheels.
- Be sure the inner and outer flange are mounted correctly.
- Make sure the disc or wheel rotates in the direction of the arrows on the accessory and the tool.

### Switching On and Off (Fig. 1)

To run the tool, press the on/off switch (A).

For continuous operation, press the switch completely forward.

To stop the tool, release the switch. To stop the tool in continuous operation, press on the back part of the switch.

**⚠ WARNING:** Do not switch the tool on or off when under load.

## MAINTENANCE

**⚠ WARNING:** *To reduce the risk of injury, turn unit off and disconnect tool from power source before installing and removing accessories, before making any adjustments or removing/installing attachments or accessories.*

Your DEWALT power tool has been designed to operate over a long period of time with a minimum of maintenance. Continuous satisfactory operation depends upon proper tool care and regular cleaning.

### Lubrication

Your power tool requires no additional lubrication.

### Cleaning

**⚠ WARNING:** *Blow dirt and dust out of the main housing with dry air as often as dirt is seen collecting in and around the air vents. Wear approved eye protection and approved dust mask when performing this procedure.*

**⚠ WARNING:** *Never use solvents or other harsh chemicals for cleaning the non-metallic parts of the tool. These chemicals may weaken the materials used in these parts. Use a cloth dampened only with water and mild soap. Never let any liquid get inside the tool; never immerse any part of the tool into a liquid.*

### Repairs

To assure product SAFETY and RELIABILITY, repairs, maintenance and adjustment (including brush inspection and replacement) should be performed by authorized service centers or other qualified service personnel, always using identical replacement parts.

### Accessories

**⚠ WARNING:** *Since accessories, other than those offered by DEWALT, have not been tested with this product, use of such accessories with this tool could be hazardous. To reduce the risk of injury, only DEWALT, recommended accessories should be used with this product.*

Recommended accessories for use with your tool are available at extra cost from your local dealer or authorized service center.

### SPECIFICATIONS

#### D28090-B3

Voltage	120 V ~
Frequency	50–60 Hz
Power–Watts	750 W
RPM	11 000/min

### Definiciones: Normas de seguridad


Las siguientes definiciones describen el nivel de gravedad de cada advertencia. Lea el manual y preste atención a estos símbolos.

▲ **PELIGRO:** Indica una situación de peligro inminente que, si no se evita, **provocará la muerte o lesiones graves.**

▲ **ADVERTENCIA:** Indica una situación de peligro potencial que, si no se evita, **podría provocar la muerte o lesiones graves**

▲ **ATENCIÓN:** Indica una situación de peligro potencial que, si no se evita, **puede provocar lesiones leves o moderadas.**

**AVISO:** Se refiere a una práctica **no relacionada a lesiones corporales** que de no evitarse **puede resultar en daños a la propiedad.**

 **ADVERTENCIA:** para reducir el riesgo de lesiones, lea el manual de instrucciones.

### Advertencias generales de seguridad para las herramientas eléctricas

▲ **ADVERTENCIA:** Lea todas las advertencias de seguridad e instrucciones. El incumplimiento de las advertencias o instrucciones puede provocar descargas eléctricas, incendios o lesiones graves.

### GUARDE LAS ADVERTENCIAS E INSTRUCCIONES PARA PODER CONSULTARLAS EN EL FUTURO

El término "herramienta eléctrica" incluido en todas las advertencias se refiere a su herramienta eléctrica conectada a la red (cable eléctrico) o a su herramienta eléctrica accionada con baterías (inalámbrica).

### 1) SEGURIDAD DEL ÁREA DE TRABAJO

- a) **Mantenga el área de trabajo limpia y bien iluminada.** Las áreas abarrotadas u oscuras propician accidentes.
- b) **No haga funcionar las herramientas eléctricas en atmósferas explosivas, como ambientes donde haya polvo, gases o líquidos inflamables.** Las herramientas eléctricas originan chispas que pueden encender el polvo o producir humo.
- c) **Mantenga alejados a los niños y a los espectadores de la herramienta eléctrica en funcionamiento.** Las distracciones pueden provocar la pérdida de control.

### 2) SEGURIDAD ELÉCTRICA

- a) **Los enchufes de la herramienta eléctrica deben adaptarse a la toma de corriente. Nunca modifique el enchufe de ninguna manera. No utilice ningún enchufe adaptador con herramientas eléctricas con conexión a tierra.** Los enchufes no modificados y que se adaptan a las tomas de corrientes reducirán el riesgo de descarga eléctrica.
- b) **Evite el contacto corporal con superficies con toma de tierra como, por ejemplo, tuberías, radiadores, cocinas y refrigeradores.** Existe mayor riesgo de descarga eléctrica si su cuerpo está puesto a tierra.
- c) **No exponga las herramientas eléctricas a la lluvia ni a condiciones de humedad.** Si entra agua en una herramienta eléctrica, aumentará el riesgo de descarga eléctrica.
- d) **No use el cable indebidamente. Nunca utilice el cable para transportar, tirar o desenchufar la herramienta eléctrica. Mantenga el cable alejado del calor, el aceite, los bordes afilados o las piezas móviles.** Los cables dañados o enredados aumentan el riesgo de descarga eléctrica.
- e) **Al operar una herramienta eléctrica en el exterior, utilice un cable prolongador adecuado para tal uso. Utilice un**

cable adecuado para uso en exteriores a fin de reducir el riesgo de descarga eléctrica.

- f) **Si no se puede evitar el uso de una herramienta eléctrica en una zona húmeda, utilice un dispositivo de corriente residual (residual current device, RCD) de seguridad.** El uso de un RCD reduce el riesgo de sufrir una descarga eléctrica.

### 3) SEGURIDAD PERSONAL

- a) **Permanezca alerta, controle lo que está haciendo y utilice el sentido común cuando emplee una herramienta eléctrica. No utilice una herramienta eléctrica si está cansado o bajo el efecto de drogas, alcohol o medicamentos.** Un momento de descuido mientras se opera una herramienta eléctrica puede provocar lesiones personales graves.
- b) **Utilice equipo de seguridad personal. Utilice siempre protección ocular.** El uso de equipo de seguridad, como mascarillas para polvo, calzado de seguridad antideslizante, cascos o protección auditiva en las condiciones adecuadas reducirá las lesiones personales.
- c) **Evite poner en marcha la herramienta involuntariamente. Asegúrese de que el interruptor está apagado antes de conectar la fuente de alimentación y/o la batería, coger o transportar la herramienta.** Transportar herramientas eléctricas con su dedo apoyado sobre el interruptor o enchufar herramientas eléctricas con el interruptor en la posición de encendido puede propiciar accidentes.
- d) **Retire la clavija de ajuste o la llave de tuercas antes de encender la herramienta eléctrica.** Una llave de tuercas o una clavija de ajuste que quede conectada a una pieza giratoria de la herramienta eléctrica puede provocar lesiones personales.
- e) **No se estire demasiado. Conserve el equilibrio y posicione adecuadamente en todo momento.** Esto

permite un mejor control de la herramienta eléctrica en situaciones inesperadas.

- f) **Use la vestimenta adecuada. No use ropas holgadas ni joyas. Mantenga el cabello, la ropa y los guantes alejados de las piezas en movimiento.** Las ropas holgadas, las joyas o el cabello largo pueden quedar atrapados en las piezas en movimiento.
- g) **Si se suministran dispositivos para la conexión de accesorios con fines de recolección y extracción de polvo, asegúrese de que estén conectados y que se utilicen correctamente.** El uso del extractor de polvo puede reducir los riesgos relacionados con el polvo.

### 4) USO Y MANTENIMIENTO DE LA HERRAMIENTA ELÉCTRICA

- a) **No fuerce la herramienta eléctrica. Utilice la herramienta eléctrica correcta para el trabajo que realizará.** La herramienta eléctrica correcta hará el trabajo mejor, y de un modo más seguro, a la velocidad para la que fue diseñada.
- b) **No utilice la herramienta eléctrica si no puede encenderla o apagarla con el interruptor.** Las herramientas que no puedan ser controladas con el interruptor constituyen un peligro y deben repararse.
- c) **Desconecte el enchufe de la fuente de alimentación o la batería de la herramienta eléctrica antes de realizar cualquier ajuste, cambio de accesorios o almacenar las herramientas eléctricas.** Estas medidas de seguridad preventivas reducen el riesgo de encender la herramienta eléctrica de forma accidental.
- d) **Guarde la herramienta eléctrica que no esté en uso fuera del alcance de los niños y no permita que otras personas no familiarizadas con ella o con estas instrucciones operen la herramienta.** Las herramientas eléctricas son peligrosas si son operadas por usuarios que no tienen formación.

- e) **Mantenimiento de las herramientas eléctricas. Revise que no haya piezas en movimiento mal alineadas o trabadas, piezas rotas o cualquier otra situación que pueda afectar el funcionamiento de las herramientas eléctricas. Si encuentra daños, haga reparar la herramienta eléctrica antes de utilizarla. Se producen muchos accidentes a causa de las herramientas eléctricas que carecen de un mantenimiento adecuado.**
- f) **Mantenga las herramientas de corte afiladas y limpias. Las herramientas de corte con mantenimiento adecuado y con los bordes de corte afilados son menos propensas a trabarse y son más fáciles de controlar.**
- g) **Utilice las herramientas eléctricas, sus accesorios y piezas, etc. de acuerdo con las presentes instrucciones, teniendo siempre en cuenta las condiciones de trabajo y el trabajo que deba llevar a cabo. El uso de la herramienta eléctrica para operaciones diferentes de aquellas para las que fue diseñada podría originar una situación peligrosa.**

#### 5) MANTENIMIENTO

- a) **Solicite a una persona cualificada en reparaciones que realice el mantenimiento de su herramienta eléctrica y que solo utilice piezas de repuesto idénticas. Esto garantizará la seguridad de la herramienta eléctrica.**

### **NORMAS ESPECÍFICAS DE SEGURIDAD ADICIONALES**

#### **Instrucciones de seguridad para todas las operaciones**

- a) **Esta herramienta eléctrica está diseñada para funcionar como esmeriladora, lijadora, escobilla de alambre, pulidora o herramienta de corte. Lea todas las advertencias de seguridad, instrucciones, ilustraciones y especificaciones provistas con esta herramienta**

**eléctrica. El incumplimiento de las instrucciones que se indican a continuación podría provocar una descarga eléctrica, un incendio y/o lesiones graves.**

- b) **No utilice accesorios que no hayan sido específicamente diseñados y recomendados por el fabricante de la herramienta. Aunque el accesorio encaje en su herramienta eléctrica, no significa que garantice su funcionamiento seguro.**
- c) **La velocidad nominal del accesorio debe ser como mínimo igual a la velocidad máxima que figura en la herramienta eléctrica. Aquellos accesorios que funcionen más rápido que su velocidad nominal podrían partirse y salir despedidos.**
- d) **El diámetro exterior y el grosor de su accesorio debe ajustarse al nominal de capacidad de su herramienta eléctrica. Aquellos accesorios que no tengan las medidas correctas no quedarán oportunamente protegidos o controlados.**
- e) **El tamaño de las ruedas, los flanges, las almohadillas de apoyo o cualquier otro accesorio, deben ajustarse perfectamente en el eje de la herramienta eléctrica. Los accesorios con agujeros que no se ajusten al equipo de montaje de la herramienta eléctrica, se descompensarán, vibrarán excesivamente y podrían ser causa de la pérdida de control.**
- f) **No utilice accesorios deteriorados. Antes de su uso, inspeccione los accesorios tales como los discos abrasivos para grietas y desconchados, la almohadilla para las grietas, manchas o un desgaste excesivo, el cepillo de alambre para los cables sueltos o agrietados. Si una herramienta eléctrica o accesorio se cae, inspeccione si ha sufrido daños o instale un accesorio que no esté dañado. Después de inspeccionar e instalar un accesorio,**

colóquese usted mismo y los que puedan estar a su alrededor lejos del plano de rotación del accesorio y haga funcionar la herramienta eléctrica a la máxima velocidad sin carga durante un minuto. Los accesorios dañados normalmente se romperán y desprenderán durante esta prueba.

- g) Lleve equipo de protección personal. Según la aplicación, utilice un protector facial, gafas de seguridad o cristales de seguridad. Si es necesario, colóquese una mascarilla antipolvo, protectores para los oídos, guantes y un delantal de trabajo capaz de absorber pequeños fragmentos abrasivos o de la pieza.** La protección para los ojos debe poder detener los restos que salgan despedidos por las distintas operaciones. La mascarilla antipolvo o el respirador debe poder filtrar las partículas generadas durante el trabajo. Una exposición prolongada a ruidos de gran intensidad podría ser causa de pérdida de audición.
- h) Mantenga a las personas a una distancia segura, alejada de la zona de trabajo. Cualquiera que entre en la zona de trabajo debería llevar un equipo de protección personal.** Podrían salir despedidos fragmentos de las piezas o de un accesorio roto y causar lesiones fuera de la zona de trabajo.
- i) Coloque la herramienta eléctrica sólo en superficies absorbentes aisladas cuando realice un trabajo en el que accesorio de corte pueda entrar en contacto con cables ocultos o con su propio cable.** Un accesorio de corte que entre en contacto con un cable "activo" podría hacer que las piezas de metal expuestas de la herramienta eléctrica transmitieran también corriente y electrocutaran al operario.
- j) Coloque el cable lejos del accesorio giratorio.** Si pierde el control, el cable podría cortarse o enrollarse y su mano o su brazo podrían verse atraídos por el accesorio giratorio.

**k) Nunca deje la herramienta eléctrica sobre una superficie hasta que el accesorio se haya parado del todo.** El accesorio giratorio podría engancharse en la superficie y tirar de la herramienta eléctrica hasta quedar fuera de su control.

**l) No haga funcionar la herramienta eléctrica mientras la lleve a su lado.** El contacto accidental con el accesorio giratorio podría rasgar su ropa y empujar el accesorio hasta su cuerpo.

**m) Limpie con regularidad los respiraderos de la herramienta.** El ventilador del motor absorberá el polvo presente en el interior de la carcasa y una excesiva acumulación de metal en polvo podría convertirse en un peligro debido a la electricidad

**n) No haga funcionar esta herramienta eléctrica cerca de materiales inflamables.** Las chispas podrían incendiar estos materiales.

**o) No utilice accesorios que requieran refrigerantes líquidos.** La utilización de agua u otros líquidos refrigerantes podrían causar electrocuciones o calambres.

### **Causas de la inversión de giro y su prevención por parte del operario**

- La inversión de giro es una reacción brusca a una rueda giratoria, una almohadilla de repuesto, un cepillo o cualquier otro accesorio que se encuentre comprimido o esté atascado y que, a su vez, hace que la herramienta eléctrica se descontrola y vaya en sentido opuesto al giro del accesorio en el momento de la conexión.
- Por ejemplo, si una pieza engancha o comprime una muela abrasiva, el borde de la rueda que entra en contacto con el punto crítico puede quedarse clavado en la superficie del material y hacer que la rueda salga despedida. La rueda también puede escaparse de las manos del operario,

según el sentido del movimiento de la rueda en el punto de compresión. En estas condiciones, las muelas abrasivas también pueden romperse.

- La inversión de giro es el resultado de un mal uso de la herramienta y/o de unos incorrectos procedimientos o condiciones de uso y se puede evitar tomando las medidas de precaución adecuadas, tal y como se indica seguidamente:
- a) **Sujete fuertemente la herramienta eléctrica y coloque su cuerpo y su brazo de manera que le permita resistir la fuerza de la inversión de giro. Utilice siempre una empuñadura auxiliar, si la hay, para controlar mejor la inversión de giro o la reacción del par durante el arranque.** El operario puede controlar la reacción del par o la fuerza de la inversión de giro siempre que tome las debidas precauciones.
  - b) **No coloque nunca su mano cerca del accesorio giratorio.** El accesorio puede golpearle la mano.
  - c) **No coloque su cuerpo en la zona en la que se moverá la herramienta eléctrica, de lo contrario podría golpearle.** En caso de atascarse, la inversión de giro empujará la herramienta en el sentido opuesto al movimiento de la rueda.
  - d) **Tenga especial cuidado cuando trabaje curvas, bordes afilados, etc. Evite el rebote y el enganche del accesorio.** Las curvas, los bordes afilados o los rebotes tienden a atascar el accesorio giratorio y provocan la pérdida del control o la inversión de giro.
  - e) **No coloque una cuchilla para tallar madera en la sierra de cadena ni una cuchilla de sierra dentada.** Estas cuchillas generan con frecuencia inversiones de giro y pérdidas de control.

## **Advertencias específicas para las operaciones de esmeriladoras**

- a) **Utilice sólo los discos recomendados para su herramienta eléctrica y la protección de seguridad específicamente diseñada para el disco seleccionado.** Los discos que no hayan sido diseñados para esta herramienta eléctrica no quedarán oportunamente protegidos y no ofrecerán seguridad.
- b) **La protección debe quedar sujeta a la herramienta de seguridad y estar perfectamente colocada para obtener la máxima seguridad, de modo que el operador quede expuesto a una mínima superficie de la herramienta.** La protección sirva para proteger al operario de los fragmentos de disco rotos o del contacto adicional con el disco
- c) **Los discos deben utilizarse sólo para las aplicaciones recomendadas. Por ejemplo: no realice operaciones de esmerilado con el lateral del disco de corte.** Los discos de cortar han sido diseñados para los esmerilados periféricos, por lo que las fuerzas laterales aplicadas a estas muelas podrían hacer que se partieran.
- d) **Utilice siempre flanges que no estén dañadas, que tengan el tamaño y la forma correctas para el disco seleccionado.** Unos flanges adecuados para el disco sujetan la muela y así reducen la posibilidad de su rotura. Los flanges para los discos de corte pueden ser distintas a los flanges para las muelas.
- e) **No utilice discos gastados de herramientas eléctricas más grandes.** Los discos diseñados para una herramienta eléctrica más grande no resultan adecuados para la mayor velocidad de una herramienta más pequeña y podrían quemarse.



## Advertencias específicas para las operaciones de cepillado metálico

- a) No olvide que el cepillo desprende cerdas metálicas durante su funcionamiento habitual. No sobrecargue los alambres mediante la aplicación de una carga excesiva en el cepillo. Las cerdas metálicas pueden penetrar fácilmente en ropas ligeras y/o en la piel.
- b) Si se recomienda el uso de una protección para el cepillado metálico, no permita ninguna interferencia de la rueda metálica o del cepillo metálico con la protección. La rueda metálica o el cepillo metálico pueden sufrir un aumento en su diámetro debido al trabajo y a las fuerzas centrífugas.

## Advertencias de seguridad adicionales para esmeriladoras

- Los cables de extensión deben ser de un calibre apropiado (AWG o American Wire Gauge) para su seguridad. Mientras menor sea el calibre del cable, mayor la capacidad del cable. Es decir, un cable calibre 16 tiene mayor capacidad que uno de 18. Un cable de un calibre insuficiente causará una caída en la tensión de la línea dando por resultado una pérdida de energía y sobrecalentamiento. Cuando se utilice más de un alargador para completar el largo total, asegúrese que los cables de cada alargador tengan el calibre mínimo. La tabla siguiente muestra el tamaño correcto a utilizar, dependiendo de la longitud del cable y del amperaje nominal de la placa de identificación. Si tiene dudas sobre cuál calibre usar, use un calibre mayor. Cuanto más pequeño sea el número del calibre, más resistente será el cable.

Tensión (Volts)	Longitud del cable en metros (m)			
120 - 127V	0 - 7	7 - 15	15 - 30	30 - 50
220 - 240V	0 - 15	15 - 30	30 - 60	60 - 100
Corriente nominal (Ampéres)	Sección nominal mínima del cable en milímetros cuadrados (mm <sup>2</sup> )			
0 - 6A	1.0	1.5	1.5	2.5
6 - 10A	1.0	1.5	2.5	4.0
10 - 12A	1.5	1.5	2.5	4.0
12 - 16A	2.5	4.0	No recomendado	

⚠ **ADVERTENCIA:** Si el enchufe o el cable de alimentación están dañados lo debe reemplazar el fabricante o su representante o por una persona igualmente calificada para evitar peligro.

⚠ **ADVERTENCIA:** Siempre use protección ocular. Todos los usuarios y las personas circunstantes deben llevar protección ocular en conformidad con ANSI Z87.1.

⚠ **ADVERTENCIA:** Siempre lleve la debida protección auditiva personal en conformidad con ANSI S12.6 (S3.19) durante el uso de esta herramienta. Bajo algunas condiciones y duraciones de uso, el ruido producido por este producto puede contribuir a la pérdida auditiva.

⚠ **ADVERTENCIA:** Parte del polvo generado al lijar, serrar, esmerilar o taladrar, así como al realizar otras actividades del sector de la construcción, contienen productos químicos que pueden producir cáncer, defectos congénitos u otras afecciones reproductivas. Ejemplos de estos químicos son:

- plomo de algunas pinturas,
- polvo de sílice proveniente de ladrillos y cemento y otros productos de albañilería, y

- arsénico y cromo provenientes de maderas tratadas con químicos (arseniato de cobre cromado).

Su riesgo de exposición a estos químicos varía, dependiendo de la frecuencia con la cual realiza usted este tipo de trabajo. Para reducir la exposición a esas sustancias químicas: trabaje en una zona bien ventilada y llevando equipos de seguridad aprobados, como mascarillas antipolvo especialmente diseñadas para filtrar partículas microscópicas.

- **Evite el contacto prolongado con polvo generado por el lijado, serruchado, pulido y taladrado eléctrico y otras actividades de construcción. Vista ropa protectora y lave las áreas de la piel expuestas con agua y jabón.** Si permite que el polvo se introduzca en la boca u ojos o quede sobre la piel, puede favorecer la absorción de productos químicos peligrosos.

**⚠ADVERTENCIA:** La utilización de esta herramienta puede generar polvo o dispersarlo, lo que podría causar daños graves y permanentes al sistema respiratorio, así como otras lesiones. Siempre use protección respiratoria aprobada por NIOSH (Instituto Nacional de Seguridad y Salud en el Trabajo) u OSHA (Administración de Seguridad y Salud en el Trabajo) apropiada para la exposición al polvo. Dirija las partículas en dirección contraria a la cara y el cuerpo.

**⚠ADVERTENCIA:** USE SIEMPRE LENTES DE SEGURIDAD. Los anteojos de diario NO SON lentes de seguridad. Utilice además una máscara para la cara o guardapolvo si la operación de corte genera demasiado polvo. Todo usuario y persona circunstante DEBE SIEMPRE llevar equipo de seguridad certificado:

- Protección ocular ANSI Z87.1 (CAN/CSA Z94.3),
- Protección auditiva ANSI S12.6 (S3.19),
- Protección respiratoria NIOSH/OSHA/MSHA.

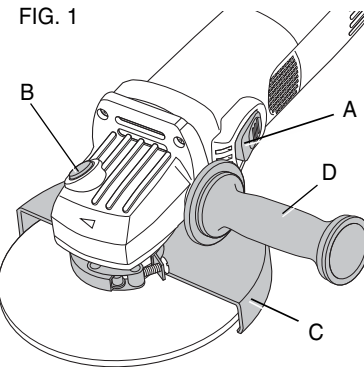
- La etiqueta de su herramienta puede incluir los siguientes símbolos. Estos símbolos y sus definiciones son:

V..... voltios	A..... amperes
Hz..... hercios	W..... vatios
min ..... minutos	~ ..... corriente alterna
=== ..... corriente directa	n <sub>o</sub> ..... velocidad sin carga
ⓘ..... Construcción Clase I (tierra)	⊖ ..... terminal de tierra
Ⓚ..... Construcción Clase II (doble aislamiento)	⚠..... símbolo de advertencia de seguridad
sfpm ..... pies de superficie por minuto (sfpm)	.../min. revoluciones por minuto
	BPM ... golpes por minuto

## DESCRIPCIÓN (FIG. 1)

**⚠ADVERTENCIA:** Nunca modifique la herramienta eléctrica ni ninguna pieza de esta. Puede producir daños o lesiones corporales.

- A. Interruptor de marcha/parada
- B. Traba del eje
- C. Guarda con llave
- D. Empuñadura lateral



## USO PREVISTO

La esmeriladora angular de alto rendimiento fue diseñada para aplicaciones demandantes, por ejemplo obras de construcción.

**NO** use la herramienta bajo condiciones de humedad o en presencia de gases o líquidos inflamables.

**NO** utilice otras muelas que las ruedas de centro deprimido y discos con protección.

Estas esmeriladoras de alto rendimiento son herramientas profesionales. **NO** permita que los niños tengan contacto con la herramienta. Cuando la hagan funcionar operarios sin experiencia, es necesaria su supervisión.

### **MONTAJE Y AJUSTES**

**⚠ ADVERTENCIA:** Para minimizar el riesgo de graves lesiones personales, apague la herramienta y desconecte la batería antes de realizar ajustes o quitar/instalar los acoples o accesorios. Un encendido accidental puede causar lesiones.

**⚠ ADVERTENCIA:** Desenchufe la herramienta antes de proceder con el montaje y los ajustes.

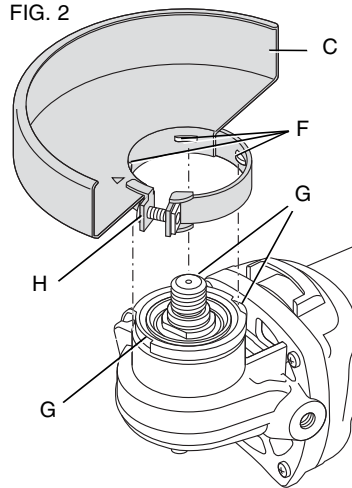
**⚠ ADVERTENCIA:** Nunca utilice la herramienta sin la guarda colocada en su lugar.

#### **Protector con tornillo de fijación (fig. 2)**

**⚠ ADVERTENCIA:** Apague y desenchufe la herramienta antes de realizar cualquier ajuste o de poner o quitar cualquier accesorio. Antes de volver a conectar la herramienta, presione y suelte el interruptor de paleta para asegurarse de que la herramienta esté apagada.

1. Coloque la esmeriladora angular en una mesa, con el eje hacia arriba.

FIG. 2



2. Haga coincidir las orejetas (F) con las ranuras (G).
3. Presione el protector y gírelo hasta la posición deseada.
4. Apriete firmemente el tornillo (H).
5. Para retirar el protector, afloje el tornillo.

FIG. 3A

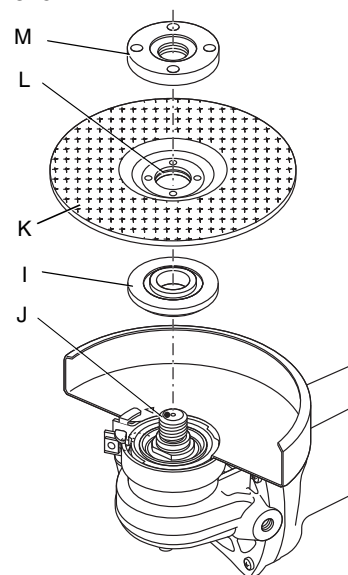
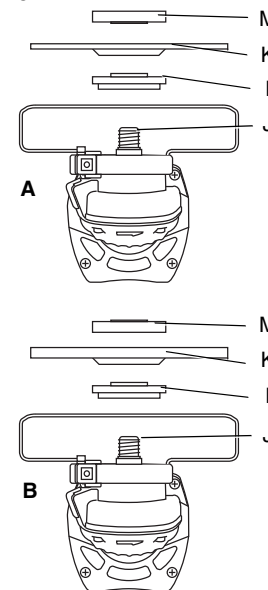


FIG. 3B



#### **Montaje y Desmontaje de un Disco de Esmerilado o De Corte (Fig. 3A, 3B)**

1. Coloque la herramienta en una mesa, con la guarda hacia arriba.
2. Fije la brida interior (I) correctamente en el eje (J) (fig. 3A).

3. Coloque el disco (K) sobre la eje (I). Cuando instale un disco con el centro elevado, asegúrese de que el centro elevado (L) quede hacia la brida (I).
4. Enrosque la brida exterior (M) en el eje (J) (fig. 3B):
  - el aro del eje (M) debe quedar hacia el disco cuando se instala un disco de esmerilar (K);
  - el aro del eje (M) debe quedar al lado contrario del disco cuando se instala un disco de corte.
5. Presione el bloqueo del eje (B) y haga girar el eje (J) hasta que encaje en su posición.
6. Apriete el eje (M) con la llave doble para tuercas suministrada.
7. Suelte el bloqueo del eje.
8. Para retirar el disco, afloje el eje (N) con la llave doble para tuercas.

**⚠ ADVERTENCIA:** No utilice el disco si está dañado.

### Montaje de un cepillo de alambre esférico

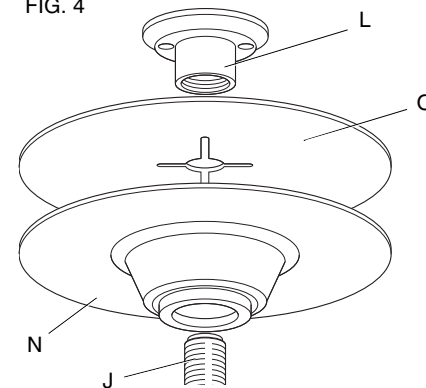
Enrosque el cepillo de alambre esférico directamente sobre el eje portamuelas sin utilizar ni el separador ni la brida conducida.

### Montaje y extracción de la almohadilla de soporte de goma (Fig. 4)

La almohadilla de soporte de goma puede solicitarse como accesorio opcional.

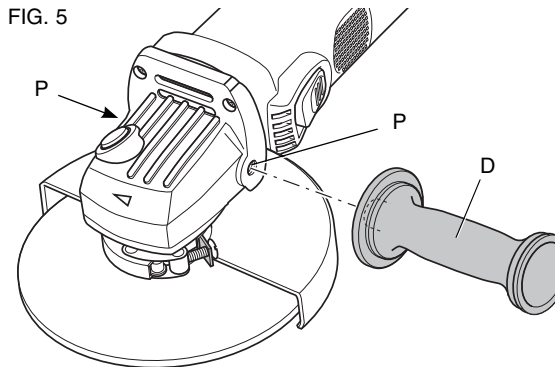
1. Retire la guarda de la herramienta.
2. Presione la almohadilla de soporte (N) sobre el eje (J). No necesitará la brida interior.
3. Coloque el disco abrasivo (O) sobre la almohadilla.
4. Atornille la brida roscada (M) en el eje portamuelas (J).
5. Presione el bloqueo del eje (B) y haga girar la almohadilla (N) hasta que encaje en su posición.
6. Apriete la brida (M) con la llave doble para tuercas suministrada.

FIG. 4



7. Suelte el bloqueo del eje.  
Para retirar el disco, afloje la brida (M) con la llave doble para tuercas.

FIG. 5



### **Montaje de la empuñadura lateral (Fig. 5)**

Atornille la empuñadura lateral (D) firmemente en uno de los orificios (P) de cualquiera de los lados de la caja de engranajes.

### **FUNCIONAMIENTO**

**⚠️ ADVERTENCIA:** Para minimizar el riesgo de graves lesiones personales, apague la herramienta y desconecte la batería antes de realizar ajustes o quitar/instalar los acoples o accesorios. Un encendido accidental puede causar lesiones.

**⚠️ ADVERTENCIA:** Deje que la herramienta alcance su velocidad total antes de tocar con ella la superficie de la pieza de trabajo. Levante la herramienta de la superficie de trabajo antes de apagarla.

**⚠️ ADVERTENCIA:** Asegúrese de que todos los materiales que se vayan a esmerilar o cortar estén sujetos en su posición.

**⚠️ ADVERTENCIA:** Sólo se debe ejercer una ligera presión sobre la herramienta. No ejerza presión lateral sobre el disco.

**⚠️ ADVERTENCIA:** Evite la sobrecarga. En caso de calentamiento de la herramienta, hágala funcionar unos minutos sin carga.

### **Antes de trabajar**

- Montar la guarda adecuada y un disco o una muela. No use discos o muelas excesivamente desgastados.
- Asegúrese de que los ejes interior y exterior estén correctamente instaladas.
- Asegúrese de que el disco o la muela gira en el sentido indicado por las flechas en el accesorio y la herramienta.

### **Encendido y Apagado (Fig. 1)**

Para poner en marcha la herramienta, presione el interruptor on/off (A).

Para trabajar de manera continua, presione el interruptor on/off hacia adelante.

Para parar la herramienta, suelte el conmutador.

Para parar la herramienta en modo de funcionamiento continuo, presione la parte trasera del interruptor.

**⚠️ ADVERTENCIA:** No encienda o apague la herramienta mientras esté en posición de carga.

### **MANTENIMIENTO**

**⚠️ ADVERTENCIA:** Para minimizar el riesgo de graves lesiones personales, apague la herramienta y desconecte la batería antes de realizar ajustes o quitar/instalar los acoples o accesorios. Un encendido accidental puede causar lesiones.

Su herramienta DEWALT ha sido diseñada para funcionar durante un largo período con un mínimo de mantenimiento. Un funcionamiento continuo satisfactorio depende del cuidado adecuado de la herramienta y de una limpieza periódica.

### **Lubricación**

La herramienta eléctrica no requiere lubricación adicional.

### **Limpieza**

**⚠️ ADVERTENCIA:** Sople la suciedad y el polvo de la carcasa principal con aire seco siempre que vea acumularse el polvo alrededor de los respiraderos. Utilice protección ocular y mascarillas antipolvo aprobadas cuando realice este procedimiento.

**⚠️ ADVERTENCIA:** no use nunca disolventes ni otros agentes químicos agresivos para limpiar las piezas no metálicas de la herramienta. Estos agentes químicos pueden debilitar los materiales de dichas piezas. Use un trapo humedecido sólo con agua y jabón suave. No deje que penetre ningún líquido dentro de la herramienta y no sumerja ninguna pieza de la herramienta en líquidos.

### **Reparaciones**

Para garantizar la SEGURIDAD y la CONFIABILIDAD, deberán hacerse reparaciones, mantenimiento y ajustes de esta herramienta en los centros autorizados de servicio DEWALT u otras

organizaciones autorizadas. Estas organizaciones prestan servicio a las herramientas DEWALT y emplean siempre refacciones legítimas DEWALT.

### **Accesorios**

**⚠ ADVERTENCIA:** Dado que algunos accesorios, diferentes de los ofrecidos por DEWALT, no se han probado con este producto, el empleo de tales accesorios podría constituir un riesgo. Para reducir el riesgo de lesiones, sólo deben usarse con el producto los accesorios recomendados DEWALT.

Si desea más información sobre los accesorios adecuados, consulte a su distribuidor.

#### **ESPECIFICACIONES**

	<b>D28090-B2</b>	<b>D28090-B3</b>
Voltaje	220 V ~	120 V ~
Frecuencia de operación	50–60Hz	50–60 Hz
Potencia nominal	750 W	750 W
Rotación sin carga	11 000/min	11 000/min

### **Definições: Diretrizes de Segurança**

As definições abaixo apresentadas descrevem o grau de gravidade correspondente a cada palavra de advertência. Leia cuidadosamente o manual e preste atenção a estes símbolos.

**▲ PERIGO:** Indica uma situação de risco iminente que, se não for evitada, resultará em morte ou ferimentos graves.

**▲ AVISO:** Indica uma situação de risco potencial que, se não evitada, poderá resultar em morte ou ferimentos graves.

**▲ CUIDADO:** Indica uma situação de risco potencial que, se não evitada, poderá resultar em ferimentos leves ou moderados.

**AVISO:** Se refere a uma prática **não relacionada a lesões corporais** que se não for evitada **pode** resultar em **possíveis danos**.



**ATENÇÃO:** para reduzir o risco de ferimentos, leia o manual de instruções.

### **Avisos de segurança gerais relativos a ferramentas elétricas**



**ATENÇÃO!** Leia todos os avisos de segurança e todas as instruções. O não cumprimento dos avisos e instruções poderá resultar em choque elétrico, incêndio e/ou lesões graves.

### **GUARDE TODOS OS AVISOS E INSTRUÇÕES PARA FUTURAS CONSULTAS**

Em todos os avisos que se seguem, o termo “ferramenta elétrica” refere-se à sua ferramenta acionada por alimentação da rede elétrica (com fio) ou por bateria (sem fio).

## **1) SEGURANÇA DA ÁREA DE TRABALHO**

- a) **Mantenha a área de trabalho limpa e bem iluminada.** As áreas desorganizadas ou escuras são propensas a acidentes.
- b) **Não utilize as ferramentas elétricas em ambientes explosivos ou na presença de líquidos, gases ou poeiras inflamáveis.** As ferramentas elétricas criam faíscas que podem inflamar as poeiras ou os fumos.
- c) **Mantenha crianças e outras pessoas à distância quando utilizar a ferramenta elétrica.** As distrações podem levar à perda de controle.

## **2) SEGURANÇA ELÉTRICA**

- a) **Os plugues das ferramentas elétricas têm de ser compatíveis com a tomada. Nunca modifique os plug de forma alguma. Não utilize Plugues adaptadoras com ferramentas elétricas ligadas à terra.** Plugues não modificados e tomadas compatíveis reduzem o risco de choque elétrico .
- b) **Evite o contato corporal com superfícies ligadas à terra, como tubos, radiadores, fogões e frigoríficos.** Se o seu corpo estiver ligado à terra, o risco de choque elétrico é maior.
- c) **Não exponha as ferramentas elétricas à chuva ou a condições de humidade.** A entrada de água numa ferramenta elétrica aumenta o risco de choque elétrico .
- d) **Não utilize indevidamente o cabo. Nunca carregue pelo cabo. arraste a ferramenta ou puxe para desligar. Mantenha o cabo afastado de calor, óleo, pontas afiadas ou peças em movimento.** Cabos danificados ou emaranhados aumentam o risco de choque elétrico .
- e) **Ao operar a ferramenta elétrica fora de casa, utilize uma extensão adequada para a utilização ao ar livre.** A utilização de um cabo adequado para o ar livre reduz o risco de choque elétrico .

- f) **Se não for possível evitar trabalhar com uma ferramenta elétrica num local húmido, utilize uma alimentação protegida por um dispositivo de corrente residual (DCR).** A utilização de um DCR reduz o risco de choque elétrico .

### 3) SEGURANÇA PESSOAL

- a) **Mantenha-se atento, preste atenção ao que está a fazer e faça uso de bom senso ao operar uma ferramenta elétrica. Não utilize uma ferramenta elétrica quando estiver cansado ou sob o efeito de drogas, álcool ou medicamentos.** Um momento de desatenção durante a utilização de ferramentas elétricas poderá resultar em ferimentos graves.
- b) **Use equipamento de proteção pessoal. Use sempre proteção ocular.** O equipamento de proteção , como máscara anti-poeira, sapatos de segurança antiderrapantes, capacete de segurança ou proteção auricular, usado nas condições apropriadas, reduz o risco de lesões.
- c) **Evite um acionamento accidental. Certifique-se de que o interruptor esteja na posição de desligado antes de ligar a fonte de alimentação elétrica e/ou bateria ou antes de levantar ou transportar a ferramenta.** Se mantiver o dedo sobre o interruptor ao transportar a ferramenta elétrica ou se ligar aparelhos que estejam com o interruptor ligado, poderá originar acidentes.
- d) **Retire qualquer chave de ajuste ou chave de porcas antes de ligar a ferramenta elétrica.** Uma chave de porcas ou chave de ajuste colocada numa parte móvel do aparelho poderá resultar em lesões.
- e) **Não se estique muito. Mantenha-se sempre em posição firme e equilibrada.** Desta forma, será mais fácil controlar o aparelho em situações inesperadas.
- f) **Use roupa apropriada. Não use roupa larga nem jóias. Mantenha o cabelo, roupa e luvas afastados de partes**

**em movimento.** Roupas largas, jóias ou cabelos compridos podem ficar presos nas peças em movimento.

- g) **Se for prevista a montagem de dispositivos de aspiração de pó e de dispositivos de recolha, assegure-se de que estejam ligados e sejam utilizados corretamente.** A utilização de dispositivos de recolha do pó pode reduzir os riscos provocados por poeiras.

### 4) UTILIZAÇÃO E MANUTENÇÃO DE FERRAMENTAS ELÉTRICAS

- a) **Não sobrecarregue a ferramenta elétrica. Utilize a ferramenta elétrica correta para o seu trabalho.** A ferramenta elétrica adequada fará um trabalho melhor e mais seguro ao ritmo para que foi concebida.
- b) **Não utilize a ferramenta elétrica se o interruptor não puder ser ligado nem desligado.** Qualquer ferramenta elétrica que não possa ser controlada através do interruptor de ligar e desligar é um perigo e tem de ser reparada.
- c) **Retire os plug da tomada e/ou a bateria da ferramenta elétrica antes de efetuar quaisquer ajustes no aparelho, substituir acessórios ou armazenar a ferramenta elétrica.** Estas medidas de segurança evitam que a ferramenta elétrica seja ligada acidentalmente.
- d) **Guarde as ferramentas elétricas que não estiverem sendo utilizadas fora do alcance de crianças e não permita que o aparelho seja utilizado por pessoas não familiarizadas com o mesmo ou com estas instruções.** As ferramentas elétricas são perigosas nas mãos de pessoas sem formação.
- e) **Faça a manutenção das ferramentas elétricas. Verifique se as partes móveis do aparelho estão alinhadas e não emperram, se existem peças partidas ou danificadas e qualquer outra situação que possa interferir com o funcionamento do aparelho. Caso existam peças**



**danificadas, devem ser reparadas antes da utilização do aparelho.** Muitos acidentes têm como causa a manutenção insuficiente das ferramentas elétricas.

- f) **Mantenha as ferramentas de corte sempre afiadas e limpas.** Ferramentas de corte devidamente tratadas, com arestas de corte afiadas, emperram com menos frequência e controlam-se com maior facilidade.
- g) **Utilize a ferramenta elétrica, os acessórios e as peças, etc., de acordo com estas instruções, tendo em conta as condições de trabalho e a tarefa sendo efetuada.** A utilização da ferramenta elétrica para fins diferentes dos previstos poderá resultar em situações perigosas.

#### 5) ASSISTÊNCIA

- a) **A sua ferramenta elétrica só deve ser reparada por pessoal qualificado e só devem ser utilizadas peças sobressalentes originais.** Desta forma, é assegurada a segurança da ferramenta elétrica.

### **REGRAS DE SEGURANÇA ESPECÍFICAS ADICIONAIS**

#### **Instruções de segurança para todas as operações**

- a) **Esta ferramenta elétrica destina-se a ser utilizada como uma ferramenta de desbaste, lixagem, decapagem, polimento ou corte. Leia todos os avisos de segurança, instruções, ilustrações e especificações fornecidos com a ferramenta.** O não seguimento de todas as instruções indicadas abaixo poderá resultar em choque elétrico, incêndio e/ou ferimentos graves.
- b) **Não utilize acessórios que não tenham sido especificamente concebidos e recomendados pelo fabricante da ferramenta.** Apesar de ser possível aplicar um

acessório na sua ferramenta elétrica, tal não significa que a sua utilização é segura.

- c) **A velocidade nominal do acessório tem que corresponder, no mínimo, à velocidade máxima indicada na ferramenta elétrica.** Os acessórios que funcionam a uma velocidade mais rápida do que a sua velocidade nominal podem partir-se e soltar-se.
- d) **O diâmetro externo e a espessura do seu acessório devem situar-se dentro da classificação de capacidade da ferramenta elétrica.** Não é possível proteger nem controlar de forma adequada os acessórios com um tamanho incorreto.
- e) **O tamanho do encaixe dos discos, flanges, almofadas de apoio ou qualquer outro acessório tem que corresponder corretamente ao eixo da ferramenta elétrica.** Os acessórios com orifícios de encaixe que não correspondem ao equipamento de montagem da ferramenta elétrica irão funcionar de forma desequilibrada, irão vibrar excessivamente e poderão resultar na perda de controle.
- f) **Não utilize um acessório danificado. Antes de cada utilização, verifique o acessório para verificar a existência de, por exemplo, lascas e fendas no disco abrasivo, fendas, rasgos ou desgaste excessivo na almofada de apoio e arames soltos ou quebrados na escova de arame.** Se a ferramenta elétrica ou acessório forem deixados cair, inspeccione-os quanto à existência de danos ou instale um acessório que não esteja danificado. Depois de inspecionar e instalar um acessório, o operador, bem como qualquer pessoa presente, deve manter uma posição afastada do plano do acessório rotativo e utilizar a ferramenta elétrica na velocidade máxima sem carga durante um minuto. Normalmente, os acessórios danificados irão partir-se durante este período experimental.
- g) **Use equipamento de proteção pessoal. Conforme a aplicação, use um escudo facial, viseiras de proteção**

ou óculos de segurança. Conforme apropriado, use uma máscara de proteção contra poeiras, protetores auriculares, luvas e um avental de oficina com capacidade para o proteger contra pequenos fragmentos abrasivos ou da peça de trabalho. A proteção ocular tem que ter capacidade para o proteger contra a projeção dos detritos gerados em diversas operações. A máscara de proteção contra poeiras tem que ter capacidade para filtrar as partículas geradas pelas operações. A exposição prolongada a um ruído de elevada intensidade pode causar perda de audição.

- h) Mantenha as outras pessoas presentes no local a uma distância segura da área de trabalho. Qualquer pessoa que entre na área de trabalho tem que usar o equipamento de proteção pessoal.** Os fragmentos da peça de trabalho ou de um acessório partido podem ser projetados e causar lesões para além da área imediata de operação.
- i) Quando realizar uma operação em que o acessório de corte possa entrar em contato com fios escondidos ou com o seu próprio cabo, segure a ferramenta elétrica com as superfícies do punho isoladas.** O contacto do acessório de corte com um fio condutor também pode carregar partes metálicas expostas da ferramenta elétrica e provocar um choque no operador.
- j) Posicione o cabo afastado do acessório em rotação.** Se perder o controle, o cabo poderá ficar cortado ou preso e a sua mão ou braço podem ser puxados para o acessório em rotação.
- k) Nunca poise a ferramenta elétrica sem que o acessório tenha parado completamente.** O acessório em rotação pode ficar preso à superfície e puxar a ferramenta elétrica para fora do seu controle.
- l) Não tenha a ferramenta elétrica a funcionar quando a transportar ao seu lado.** O contato acidental com o acessório

em rotação poderia prender o vestuário, aproximando o acessório do corpo.

- m) Limpe regularmente os respiradores da ferramenta elétrica.** A ventoinha do motor irá aspirar a poeira para dentro do alojamento e uma acumulação excessiva de metal carregado pode resultar em perigos elétricos.
- n) Não opere a ferramenta elétrica próximo de materiais inflamáveis.** As faíscas poderiam inflamar estes materiais
- o) Não utilize acessórios que requerem a utilização de refrigerantes líquidos.** A utilização de água ou de outros líquidos pode resultar em electrocussão ou choque.

### **Causas e prevenção do operador em relação ao efeito de retorno**

- O retorno é uma reação súbita a um disco giratório, almofada de apoio, escova ou qualquer outro acessório comprimido ou preso, que por sua vez força a ferramenta elétrica na direção contrária à da rotação do acessório no ponto de união.
  - Por exemplo, se um disco abrasivo for comprimido ou preso pela peça de trabalho, a extremidade do disco que está a entrar no ponto de prensão pode mergulhar na superfície do material, fazendo com que o disco levante ou salte para fora. O disco pode saltar na direção do operador ou para longe do mesmo, conforme o sentido do movimento do disco no ponto de prensão. Nestas condições, os discos abrasivos também podem partir.
  - Este efeito resulta da utilização indevida da ferramenta e/ou de condições ou procedimentos de operação incorretos que podem ser evitados seguindo as precauções apropriadas descritas em seguida:
- a) Agarre a ferramenta elétrica com firmeza e posicione o corpo e os braços de modo a resistir às forças de retorno. Utilize sempre a pega auxiliar, se fornecida, para**

**um máximo controle de reações de retorno ou torções durante o arranque.** O operador pode controlar as forças de reação de torção ou de retorno, se forem tomadas precauções adequadas.

- b) Nunca coloque a mão próximo do acessório rotativo.** O acessório pode retornar sobre a sua mão.
- c) Não coloque seu corpo na zona para onde a ferramenta elétrica se irá deslocar em caso de retorno.** O retorno impulsionará a ferramenta no sentido oposto ao movimento do disco no ponto de preensão.
- d) Use de atenção especial ao trabalhar em cantos, arestas relevos, etc. Evite ressaltar e prender o acessório.** Cantos, arestas têm tendência a prender o acessório rotativo e dar origem a perda de controle ou retorno.
- e) Não fixe uma lâmina de serra de corrente de corte de madeira nem uma lâmina de serra dentada.** Tais lâminas causam retornos e perdas de controle frequentes.

### **Avisos de segurança específicos para operações de rectificação**

- a) Utilize apenas discos do tipo recomendado para a ferramenta elétrica e a proteção especificamente concebida para o disco selecionado.** A utilização de discos para os quais a ferramenta não foi concebida não garante uma proteção e segurança adequadas.
- b) A proteção deve estar devidamente presa à ferramenta elétrica e posicionada de forma a garantir a segurança máxima, de modo ao disco ficar o mínimo exposto possível na direção do operador.** A proteção ajuda a proteger o operador contra fragmentos do disco partidos e o contacto acidental com o disco.
- c) Os discos têm que ser utilizados para as aplicações recomendadas. Por exemplo: não proceda à rectificação com o lado do disco de corte.** Os discos de corte abrasivos

destinam-se à rectificação periférica, sendo que a aplicação de forças laterais neste tipo de discos poderá fazer com que se desfaçam.

- d) Utilize sempre flanges de disco não danificadas com o tamanho e forma corretos para o disco selecionado.** As flanges de disco proporcionam um apoio correto, reduzindo a possibilidade de ruptura do disco. As flanges para os discos de corte podem ser diferentes das flanges de discos de rectificação.
- e) Não utilize discos gastos de ferramentas elétricas maiores.** Um disco destinado a uma ferramenta elétrica maior não é adequado para a velocidade superior de uma ferramenta menor, e por conseguinte, pode arrebentar.

### **Avisos de segurança específicos para operações com escovas de arame**

- a) Tenha em atenção que cerdas de arame são projetadas pela escova mesmo durante uma utilização normal. Não aplique demasiada pressão nas cerdas ao colocar uma carga excessiva sobre a escova.** As cerdas de arame podem penetrar facilmente através de vestuário leve e/ou da pele.
- b) Se a utilização de uma proteção for recomendada para operações com escovas de arame, não permita qualquer interferência do disco ou da escova de arame com a proteção.** O disco ou a escova de arame pode expandir-se em diâmetro devido às forças de trabalho e centrífugas.

### **Instruções de segurança adicionais para esmerilhadeiras**

- Para sua segurança, os cabos de extensão devem ter um calibre adequado (AWG ou American Wire Gauge).** Quanto menor for o calibre do fio, maior será a capacidade do cabo.

Isto é, um fio de calibre 16 tem uma capacidade maior do que um fio de calibre 18. Uma extensão de menor calibre causará uma queda de voltagem o que resultará em perda de potência e superaquecimento da ferramenta. Ao usar mais de uma extensão para completar o comprimento total, tenha certeza de que os fios de cada extensão têm pelo menos o calibre mínimo. A tabela a seguir indica o tamanho que deve ser usado em função do comprimento do cabo e da amperagem nominal. Em caso de dúvida, use um fio de maior calibre. Quanto menor o calibre, maior será a capacidade do cabo.

Tensão (Volts)	Comprimento do cabo de extensão em Metros (m)			
120 - 127V	0 - 7	7 - 15	15 - 30	30 - 50
220 - 240V	0 - 15	15 - 30	30 - 60	60 - 100
Faixa de Corrente nominal (Ampères)	Secção mínima do cabo de extensão em milímetros quadrados (mm <sup>2</sup> )			
0 - 6A	1.0	1.5	1.5	2.5
6 - 10A	1.0	1.5	2.5	4.0
10 - 12A	1.5	1.5	2.5	4.0
12 - 16A	2.5	4.0	Não Recomendado	

**⚠ ATENÇÃO:** Use sempre uma proteção para os olhos. Todos os usuários e outras pessoas presentes devem usar uma proteção para os olhos em conformidade com a norma ANSI Z87.1.

**⚠ ATENÇÃO:** Ao trabalhar com esta ferramenta, use sempre uma proteção adequada para seus ouvidos em conformidade com a norma ANSI S12.6 (S3.19). Sob algumas condições e dependendo do tempo de uso contínuo, o ruído produzido pela ferramenta pode contribuir para a perda da audição.

**⚠ ATENÇÃO:** É possível que uma parte da poeira criada por algumas ferramentas elétricas de lixamento, serragem, esmerilhagem, perfuração e outras atividades de construção

contenha substâncias químicas que comprovadamente causam câncer, defeitos congênitos ou problemas reprodutivos. Alguns exemplos desses produtos químicos são:

- chumbo nas tintas à base de chumbo,
- sílica cristalina em tijolos, cimento e outros produtos de alvenaria, e
- arsênio e cromo em madeiras tratadas quimicamente com CCA (arseniato de cobre cromatado).

O risco de exposição a esses produtos varia dependendo da frequência de execução desse tipo de trabalho. A fim de reduzir sua exposição a essas substâncias químicas: trabalhe em áreas bem ventiladas e usando equipamentos de segurança aprovados como, por exemplo, máscaras contra pó fabricadas especialmente para impedir a passagem de partículas microscópicas.

- Evite o contato prolongado com o pó produzido por lixamento, serragem, esmerilhagem, perfuração e outras atividades de construção. Vista roupas protetoras e lave com sabão e água as partes do corpo expostas. Permitir que o pó entre em contato com a boca, os olhos ou a pele pode provocar a absorção de produtos químicos nocivos pelo corpo.

**⚠ ATENÇÃO:** O uso desta ferramenta pode criar e/ou espalhar pó que pode causar lesões respiratórias e de outros tipos sérias e permanentes. Use sempre equipamentos adequados de proteção respiratória contra pó aprovados pelo NIOSH ou pela OSHA. Direcione as partículas para longe do rosto e do corpo.

**⚠ ATENÇÃO:** USE SEMPRE ÓCULOS DE SEGURANÇA. Seus óculos de uso diário NÃO são óculos de segurança. Além disso, caso o trabalho de corte possa criar muito pó, use sempre uma máscara facial ou máscara contra pó. Todos os usuários e outras pessoas presentes DEVEM SEMPRE usar equipamentos de segurança certificados:

- Proteção para os olhos ANSI Z87.1 (CAN/CSA Z94.3),

- Proteção para os ouvidos ANSI S12.6 (S3.19),
  - Proteção respiratória NIOSH/OSHA/MSHA.
- A etiqueta de sua ferramenta pode incluir os seguintes símbolos. As definições de cada um deles são as seguintes:
- |           |  |                      |                                |
|-----------|--|----------------------|--------------------------------|
| V .....   | volts                                      | A.....               | ampères                        |
| Hz .....  | hertz                                      | W.....               | watts                          |
| min ..... | minutos                                    | ~ .....              | corrente alternada             |
| — .....   | corrente contínuat                         | n <sub>o</sub> ..... | nenhuma velocidade de carga    |
| ⚠ .....   | Construção de Classe I (aterrado)          | ⊖ .....              | terminal de aterramento        |
| ⊞ .....   | Construção de Classe II (isolamento duplo) | ⚠ .....              | símbolo de alerta de segurança |
| BPM..     | batidas por minuto                         | .../min..            | revoluções ou por minuto       |
| sfpm..    | pés de área por minuto (sfpm)              |                      |                                |

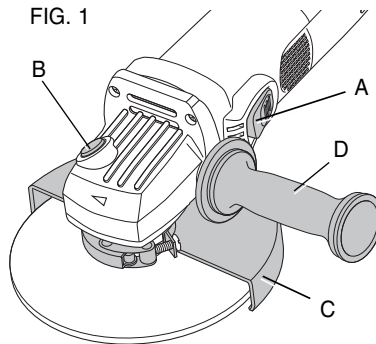
## DESCRIÇÃO (FIG. 1)

**⚠ATENÇÃO:** nunca modifique a ferramenta elétrica ou qualquer uma das suas peças. Podem ocorrer danos ou lesões.

- A. Interruptor on/off
- B. Dispositivo de trava do gatilho
- C. Resguardo
- D. Empunhadura

## FINALIDADE

A esmerilhadeira angular para trabalhos intensivos foi concebida para a uso industrial em vários locais de obras (por exemplo, estaleiros de construção).



**NÃO UTILIZE** a ferramenta em condições de humidade ou na presença de líquidos ou gases inflamáveis.

**NÃO** utilize discos de esmerilhar diferentes de discos de centro rebaixado e discos laminados.

Estas esmerilhadeiras angulares para trabalhos intensivos são ferramentas elétricas profissionais.

**NÃO** permita que crianças mexam na ferramenta. É necessária supervisão quando operadores sem experiência utilizam esta ferramenta.

## MONTAGEM E AJUSTES

**⚠ATENÇÃO:** Para reduzir o risco de lesões graves, desligue a ferramenta e desligue a bateria antes de proceder a quaisquer ajustes ou de remover/installar instrumentos ou acessórios. Um arranque acidental pode causar lesões.

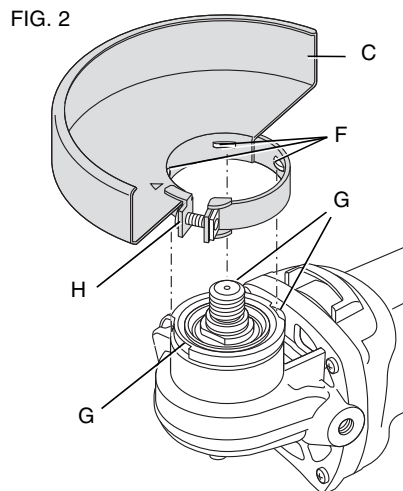
**⚠ATENÇÃO:** Antes da montagem de acessórios e da afinação retire sempre a ficha da tomada.

**⚠ATENÇÃO:** Nunca utilize a ferramenta sem o resguardo.

## Resguardo com parafuso de fixação (fig. 2)

**⚠ATENÇÃO:** Sempre desligue o aparelho e retire-o da alimentação elétrica antes de instalar ou remover acessórios e antes de fazer um ajuste. Antes de ligar novamente a ferramenta à corrente elétrica, aperte e solte a alavanca do interruptor para se assegurar que a ferramenta está desligada.

1. Coloque a rebarbadora sobre uma mesa, com o veio para cima.
2. Alinhe as linguetas (F) com as fendas (G).
3. Empurre o resguardo para baixo e rode-o até à posição desejada.



4. Aperte bem o parafuso (H).
5. Para remover o resguardo, desaperte um pouco o parafuso.

**Instalação e remoção de um disco de rebarbar ou de corte (Fig. 3A, 3B)**

1. Coloque a ferramenta sobre uma mesa, com o resguardo para cima.
2. Coloque a flange interna (I) corretamente no veio (J) (fig. 3A).
3. Coloque o disco (K) na flange (I). Aquando da colocação de um disco com um centro levantado, certifique-se de que o centro levantado (L) fica virado para a flange (I).
4. Aparafuse a flange externa (M) no veio (J) (fig. 3B):
  - anel na flange (M) deve ficar virado para o disco aquando da colocação de um disco de rebarbar (K);

– o anel na flange (M) deve ficar afastado do disco aquando da colocação de um disco de corte.

5. Prima o botão de bloqueio do veio (B) e rode o veio (J) até que alcance a posição de bloqueio.

FIG. 3A

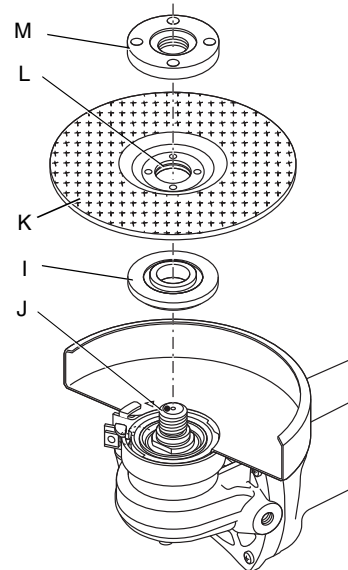
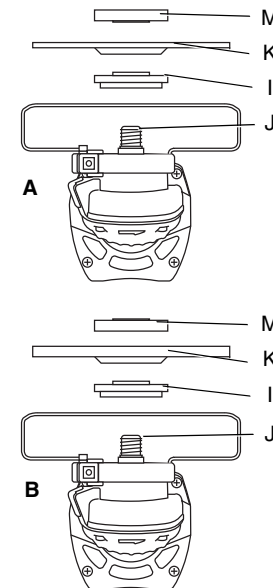


FIG. 3B



6. Aperte a flange (M) com a chave de dois pinos incluída.
7. Solte o botão de bloqueio do veio.
8. Para remover o disco, desaperte a flange (M) com a chave de dois pinos.

**⚠ ATENÇÃO:** Não utilize discos danificados.

### **Instalação de escovas de aço**

Aparafuse a escovas de aço diretamente ao eixo sem utilizar as flanges interior e exterior.

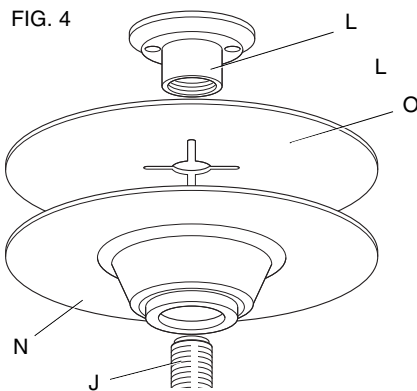


FIG. 4

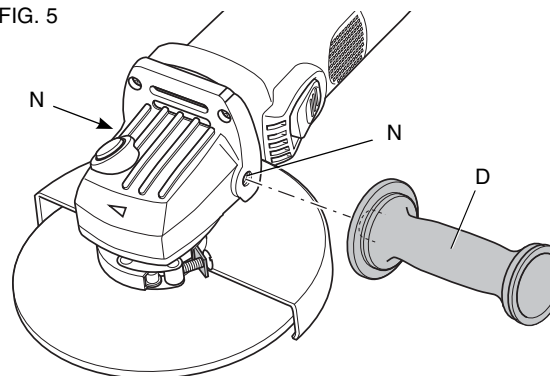
### **Colocar e retirar un disco de borracha (Fig. 4)**

O disco de borracha está disponível como acessório opcional

1. Retire o resguardo da ferramenta.
2. Pressione o botão de travamento (N) no eixo (J). A flange interior não é necessária.
3. Coloque o disco de lixa (O) na flange.
4. Aparafuse a flange exterior (M) no eixo (J).
5. Pressione o botão de travamento do eixo (B) e rode a disco de borracha até que alcance a posição de travamento do eixo.
6. Aperte a flange (M) com a chave de dois pinos que vem incluída.
7. Solte a trava do eixo.

Para remover a flange, desaperte a flange (M) com a chave de dois pinos.

FIG. 5



### **Montagem do punho lateral (Fig. 5)**

Aparafuse o punho lateral (D) apertando-o num dos furos (P) situados nos dois lados da caixa de engrenagens.

### **FUNCIÓNAMENTO**

**⚠ ATENÇÃO:** Para reduzir o risco de lesões graves, desligue a ferramenta e desligue a bateria antes de proceder a quaisquer ajustes ou de remover/instalar instrumentos ou acessórios. Um arranque acidental pode causar lesões.

**⚠ ATENÇÃO:** Deixe que a ferramenta alcance a velocidade máxima antes de tocar a superfície de trabalho com ela. Levante a ferramenta da superfície de trabalho antes de desligá-la.

**⚠ ATENÇÃO:** Cumpra sempre as instruções de segurança e os regulamentos aplicáveis.

**⚠ ATENÇÃO:** A ssegure-se de que todos os materiais a serem lixados ou cortados estão fixos no lugar.

**⚠ATENÇÃO:** Aplique apenas uma leve pressão à ferramenta. Não aplique pressão lateral ao disco.

**⚠ATENÇÃO:** Evite a sobrecarga. Caso a ferramenta aqueça, deixe-a funcionar durante alguns minutos sem carga.

### **Antes da operação**

- Instale o devido resguardo e disco. Não utilize discos com um nível de desgaste excessivo.
- Certifique-se de que a flange interna e externa estão corretamente montadas.
- Certifique-se que o disco roda na direção das setas indicadas no acessório ou na ferramenta.

### **Ligar e desligar (fig. 1)**

Para ligar a máquina pressione o interruptor (A).

Para a utilização em contínuo, avance o interruptor.

Para desligar a máquina, liberte o interruptor.

Para parar a ferramenta quando esta se encontrar em operação contínua, pressione a parte de trás do interruptor.

**⚠ATENÇÃO:** Não ligue ou desligue a ferramenta quando estiver sob carga.

### **MANUTENÇÃO**

**⚠ATENÇÃO:** Para reduzir o risco de lesões graves, desligue a ferramenta e desligue a bateria antes de proceder a quaisquer ajustes ou de remover/instalar instrumentos ou acessórios. Um arranque acidental pode causar lesões.

Esta ferramenta elétrica DEWALT foi concebida para o servir durante muito tempo com um mínimo de manutenção. Um funcionamento satisfatório e longo depende de cuidados adequados e de uma limpeza regular.

### **Lubrificação**

Esta ferramenta elétrica não requer lubrificação adicional.

### **Limpeza**

**⚠ATENÇÃO:** Injecte ar seco para retirar a sujidade e o pó do alojamento principal, sempre que notar uma acumulação de sujidade nos respiradores ou em torno dos mesmos. Utilize uma proteção adequada para os olhos e uma máscara para o pó quando realizar esta operação.

**⚠ATENÇÃO:** Nunca utilize solventes ou outros químicos agressivos para limpar as partes não metálicas da ferramenta. Estes químicos podem enfraquecer os materiais utilizados nestas partes. Utilize um pano humedecido apenas com água e detergente suave. Nunca permita que entre nenhum líquido na ferramenta; nunca mergulhe qualquer parte da ferramenta em líquido.

### **Reparos**

Para assegurar a SEGURANÇA e a CONFIABILIDADE da ferramenta, os reparos, a manutenção e os ajustes (incluindo inspeção e substituição da escova) devem ser realizados por um centro de serviços autorizados da DEWALT ou outro pessoal técnico qualificado. Use sempre peças de reposição idênticas.

A DEWALT possui uma das maiores Redes de Serviços do País. Ligue: 0800-7034644 ou consulte nosso site: [www.dewalt.com.br](http://www.dewalt.com.br), para saber qual é a mais próxima de sua localidade.

### **Acessórios**

**⚠ATENÇÃO:** Uma vez que os acessórios que não sejam os disponibilizados pela DEWALT não foram testados com este produto, a utilização de tais acessórios nesta ferramenta poderá ser perigosa. Para reduzir o risco de lesão, deverão utilizar-se apenas os acessórios recomendados pela DEWALT com este produto.



Consulte o seu revendedor para mais informações acerca dos acessórios adequados.

#### ESPECIFICAÇÕES

	<b>D28090-BR</b>	<b>D28090-B2</b>
Voltagem	127 V ~	220 V ~
Frequência	50–60 Hz	50–60 Hz
Potencia	750 W	750 W
RPM	11 000/min	11 000/min





SOLAMENTE PARA PROPÓSITO DE ARGENTINA:  
IMPORTADO POR: BLACK & DECKER ARGENTINA S.A.  
PACHECO TRADE CENTER  
COLECTORA ESTE DE RUTA PANAMERICANA  
KM. 32.0 EL TALAR DE PACHECO  
PARTIDO DE TIGRE  
BUENOS AIRES (B1618FBQ)  
REPÚBLICA DE ARGENTINA  
NO. DE IMPORTADOR: 1146/66  
TEL. (011) 4726-4400

SOLAMENTE PARA PROPÓSITO DE MÉXICO:  
IMPORTADO POR: BLACK & DECKER S.A. DE C.V.  
BOSQUES DE CIDROS, ACCESO RADIATAS NO. 42  
3A. SECCIÓN DE BOSQUES DE LAS LOMAS  
DELEGACIÓN CUAJIMALPA,  
05120, MÉXICO, D.F.  
TEL. (52) 555-326-7100  
R.F.C.: BDE810626-1W7

IMPORTED BY/IMPORTADO POR:  
BLACK & DECKER DO BRASIL LTDA.  
ROD. BR 050, S/Nº - KM 167  
DIST. INDUSTRIAL II  
UBERABA - MG - CEP: 38064-750  
CNPJ: 53.296.273/0001-91  
INSC. EST.: 701.948.711.00-98  
S.A.C.: 0800-703-4644

MAQUINAS Y HERRAMIENTAS BLACK & DECKER CHILE S.A.  
AVDA. EDUARDO FREI M. #6001 EDIFICIO 67  
CONCHALI-SANTIAGO  
CHILE

HECHO EN CHINA  
FABRICADO NA CHINA  
MADE IN CHINA

DEWALT Industrial Tool Co., 701 East Joppa Road, Baltimore, MD 21286  
(NOV09) Part No. N057331 D28090 Copyright © 2009 DEWALT

The following are trademarks for one or more DEWALT power tools: the yellow and black color scheme; the "D" shaped air intake grill; the array of pyramids on the handgrip; the kit box configuration; and the array of lozenge-shaped humps on the surface of the tool.