

CRAFTSMAN®

INSTRUCTION MANUAL

GUIDE D'UTILISATION

MANUAL DE INSTRUCCIONES

2x20V MAX* Self-Propelled Lawn Mower

Tondeuse à gazon autopropulsée 2x20 V MAX*

Podadora de Impulso Automático 2x20 V MÁX*

CMCMWSP320



IF YOU HAVE QUESTIONS OR COMMENTS, CONTACT US.
POUR TOUTE QUESTION OU TOUT COMMENTAIRE, NOUS CONTACTER.
SI TIENE DUDAS O COMENTARIOS, CONTÁCTENOS.

1-888-331-4569

WWW.CRAFTSMAN.COM

English (**original instructions**)

9

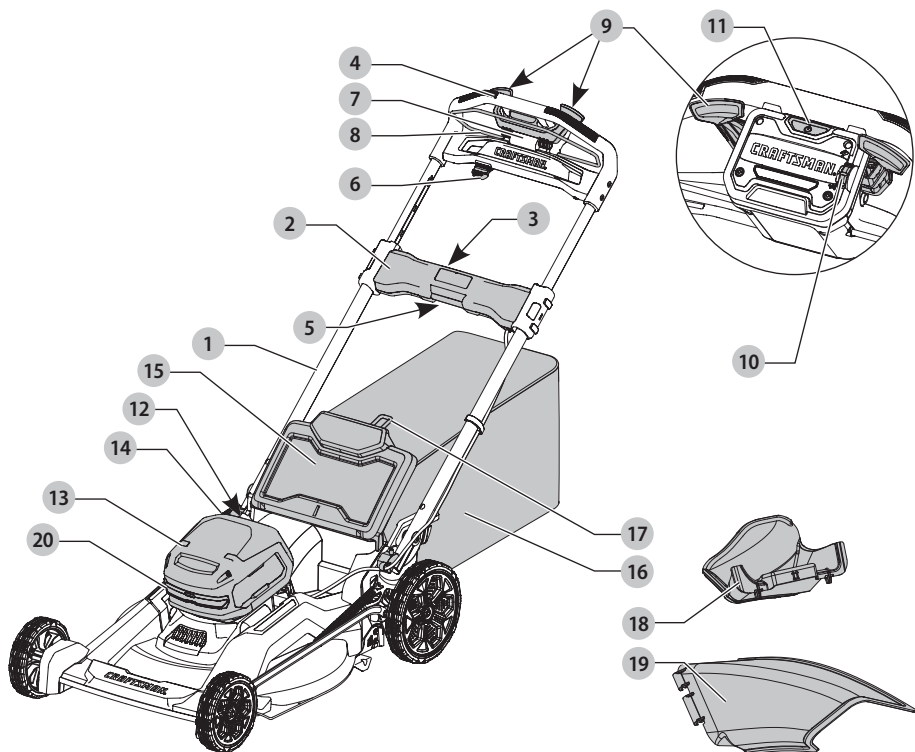
Français (*traduction de la notice d'instructions originale*)

22

Español (*traducido de las instrucciones originales*)

37

Fig. A



- 1 Single touch handle
- 2 Handle support
- 3 Handle unlock button
- 4 Main handle
- 5 Handle release button
- 6 Safety key
- 7 Switch box
- 8 Bail handle
- 9 Self drive lever
- 10 Speed adjustment dial
- 11 Power button
- 12 State of charge indicator
- 13 Battery port cover
- 14 Cut height adjustment lever
- 15 Rear door cover
- 16 Grass collection bag
- 17 Grass collection bag handle
- 18 Mulching plug
- 19 Rear side discharge chute
- 20 Headlights

- 1 Poignée à simple pression
- 2 Support de poignée
- 3 Bouton de déverrouillage de la poignée
- 4 Poignée principale
- 5 Bouton de libération de la poignée
- 6 Clé de sécurité
- 7 Boîtier de commande
- 8 Anse
- 9 Levier automoteur
- 10 Cadran de réglage de la vitesse
- 11 Bouton d'alimentation
- 12 Voyant de l'état de charge
- 13 Capot du logement des blocs-piles
- 14 Levier de réglage de la hauteur de coupe
- 15 Capot de la porte arrière
- 16 Sac de collecte du gazon
- 17 Poignée du sac de collecte du gazon
- 18 Bouchon de déchetage
- 19 Goulotte d'éjection latérale arrière
- 20 Phares

- 1 Manija de toque
- 2 Soporte de manija
- 3 Botón de desbloqueo de manija
- 4 Manija principal
- 5 Botón de liberación de manija
- 6 Llave de seguridad
- 7 Caja de interruptor
- 8 Manija de travesaño
- 9 Palanca de impulso automático
- 10 Carátula de ajuste de velocidad
- 11 Botón de energía
- 12 Indicador de estado de carga
- 13 Cubierta de puerto de batería
- 14 Palanca de ajuste de altura de corte
- 15 Cubierta de puerta trasera
- 16 Bolsa de recolección de césped
- 17 Manija de bolsa de recolección de césped
- 18 Enchufe de trituración
- 19 Conducto de descarga lateral trasera
- 20 Faros

Fig. B

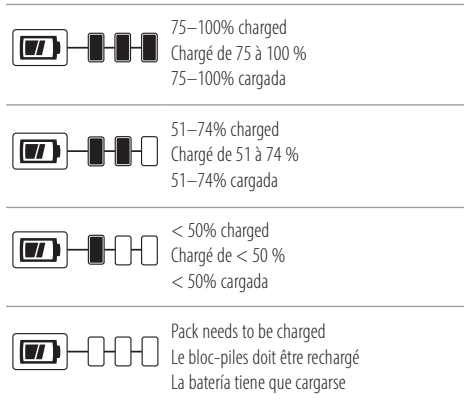


Fig. C

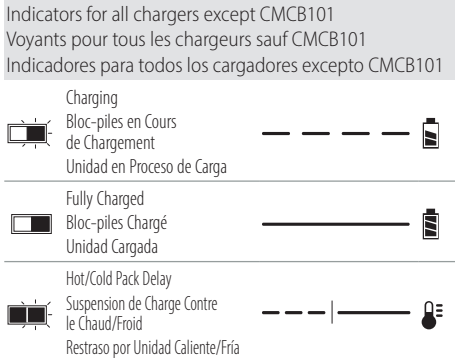


Fig. D

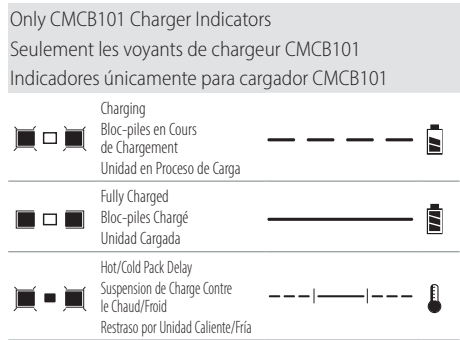


Fig. E

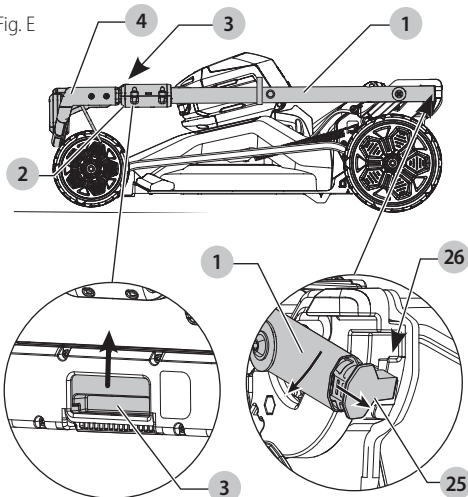


Fig. F

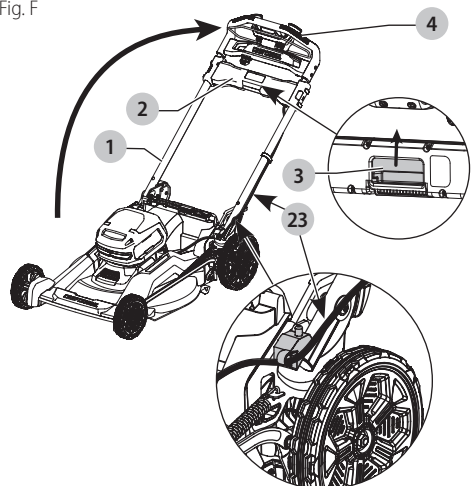


Fig. G

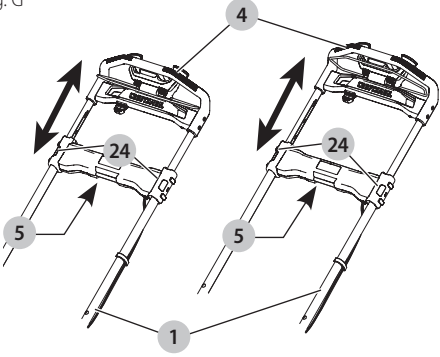


Fig. H

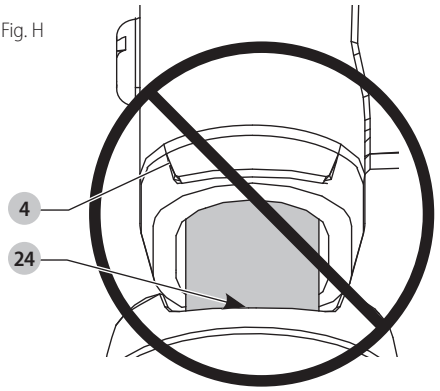


Fig. I

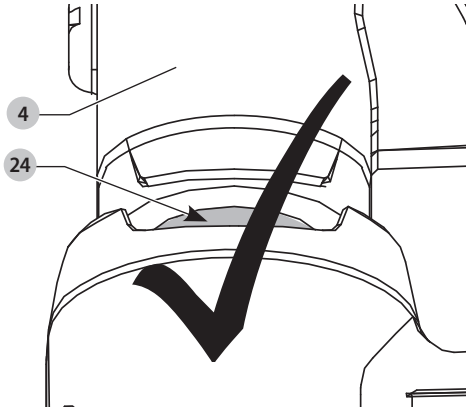


Fig. J

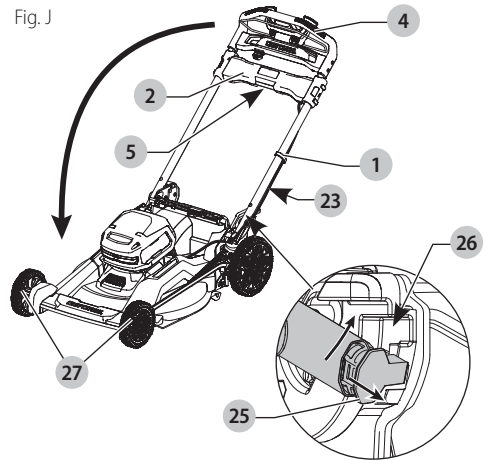


Fig. K

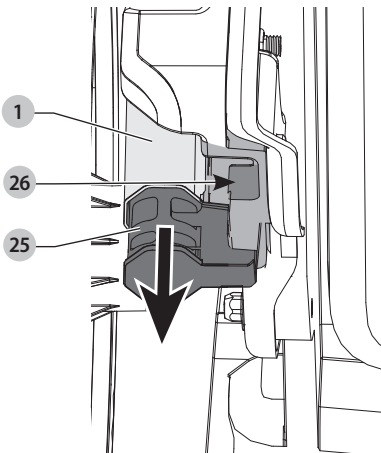


Fig. L

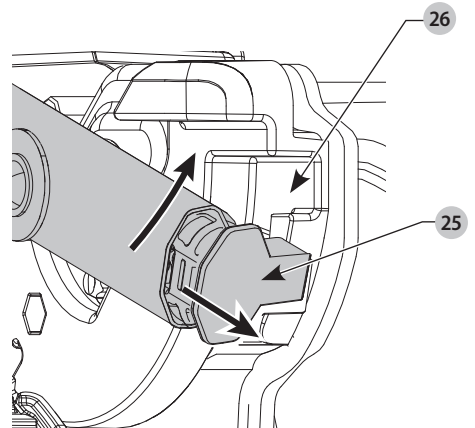


Fig. M

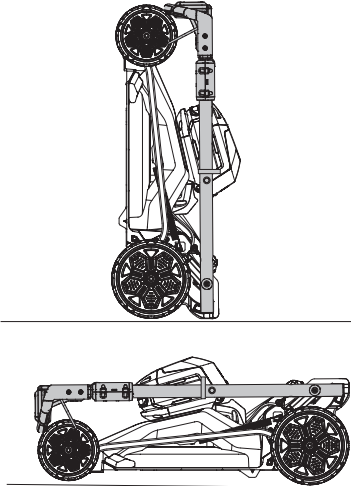


Fig. N

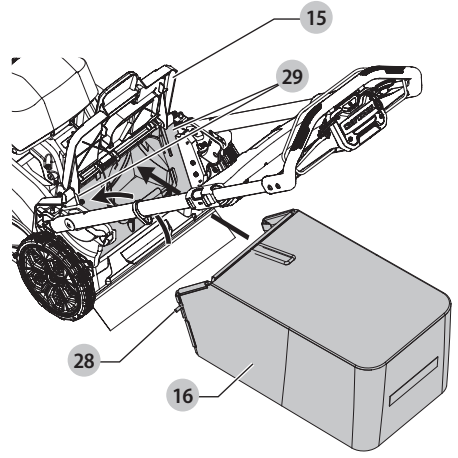


Fig. O

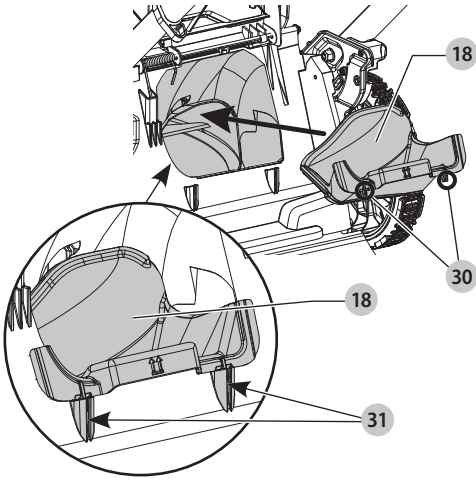


Fig. P

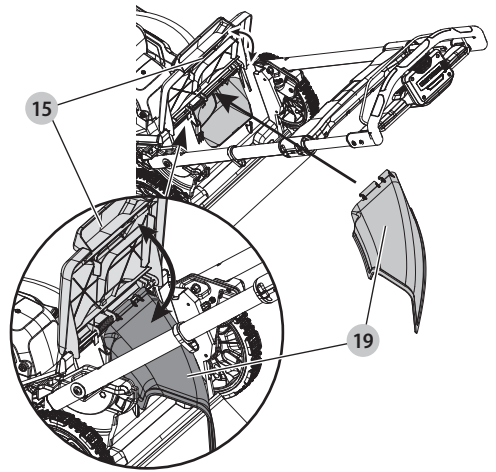


Fig. Q

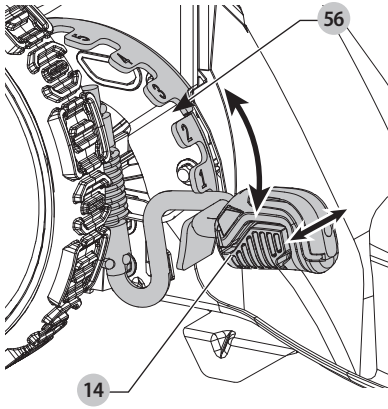


Fig. R

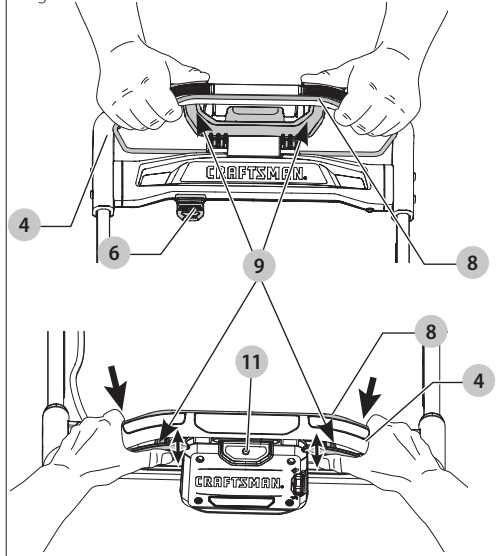


Fig. S

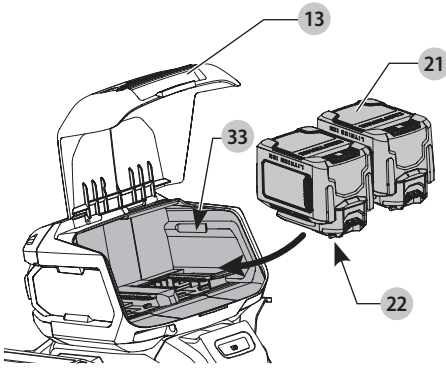


Fig. T

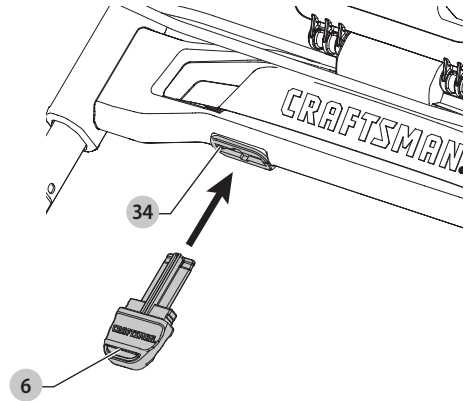


Fig. U

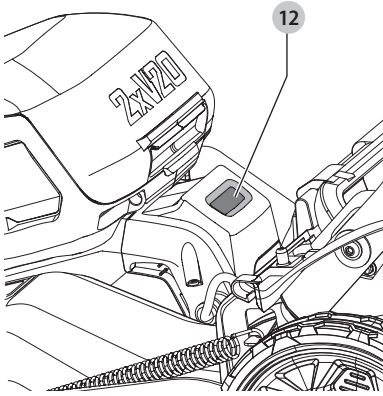


Fig. V

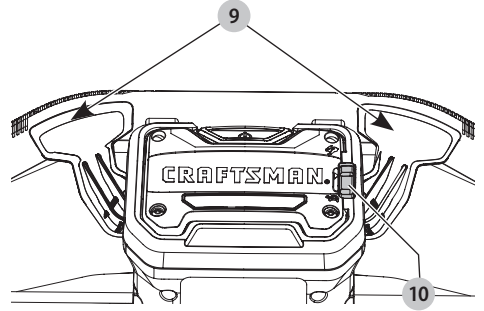


Fig. W

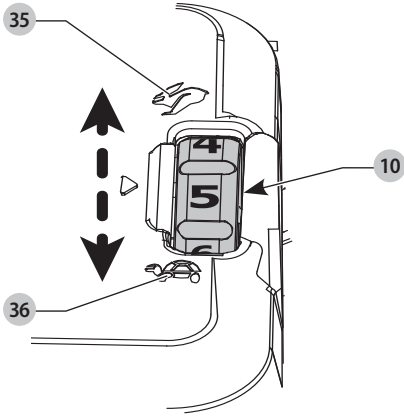


Fig. X

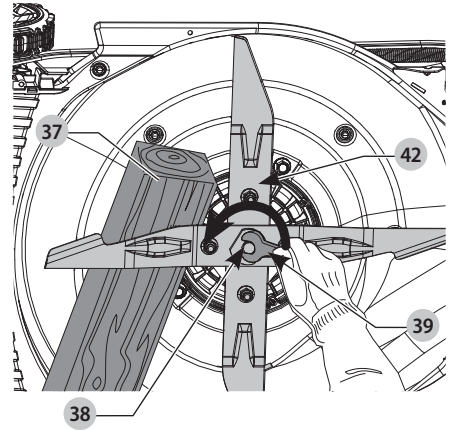


Fig. Y

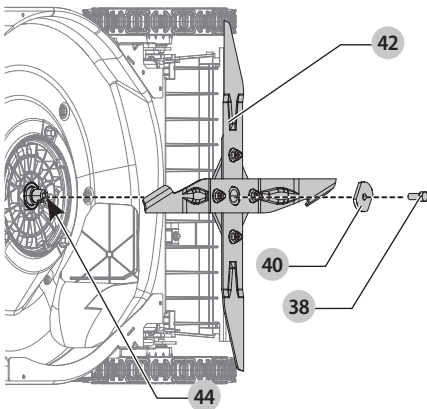


Fig. Z

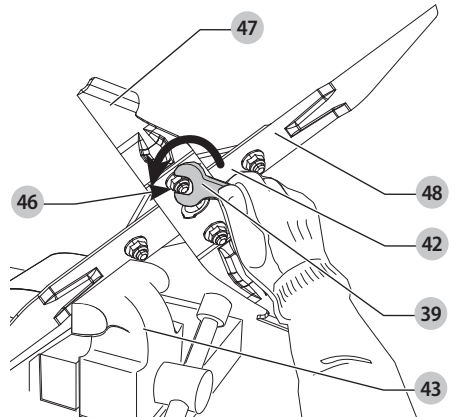


Fig. AA

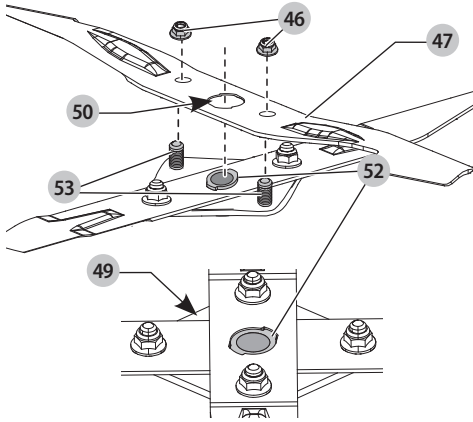


Fig. BB

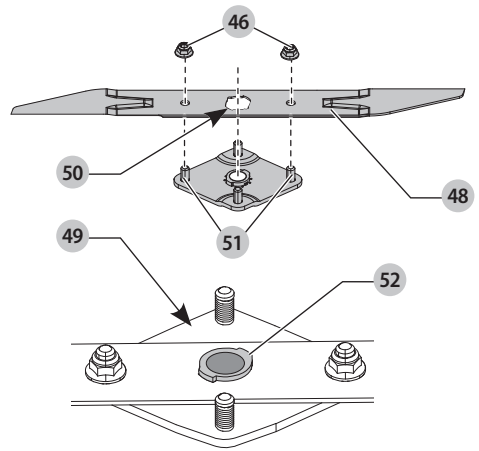


Fig. CC

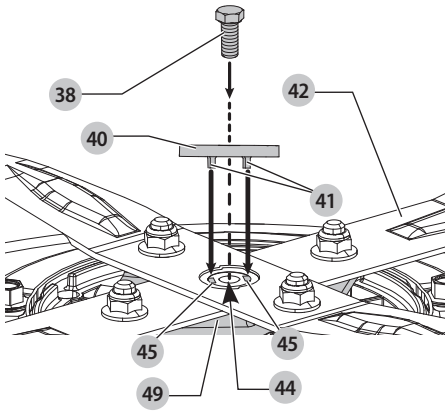


Fig. DD

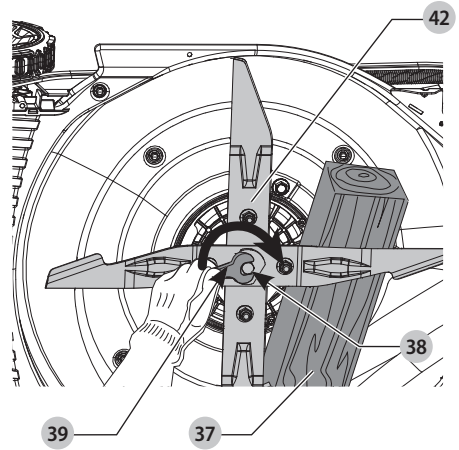


Fig. EE

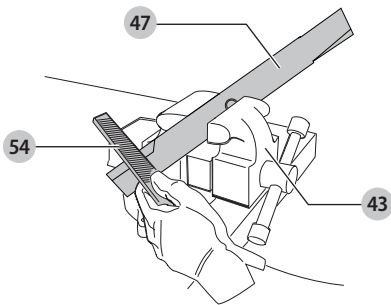
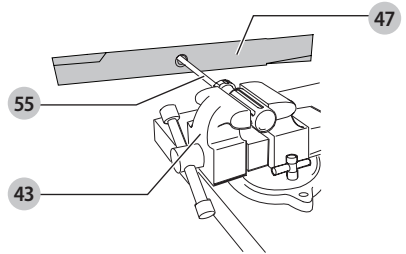
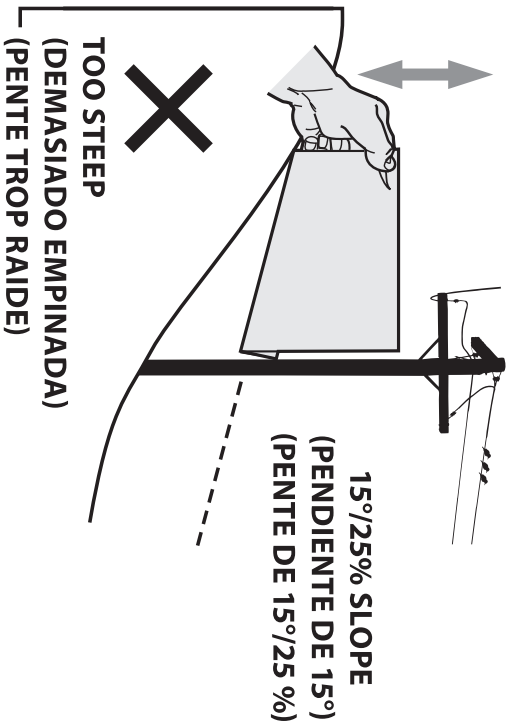
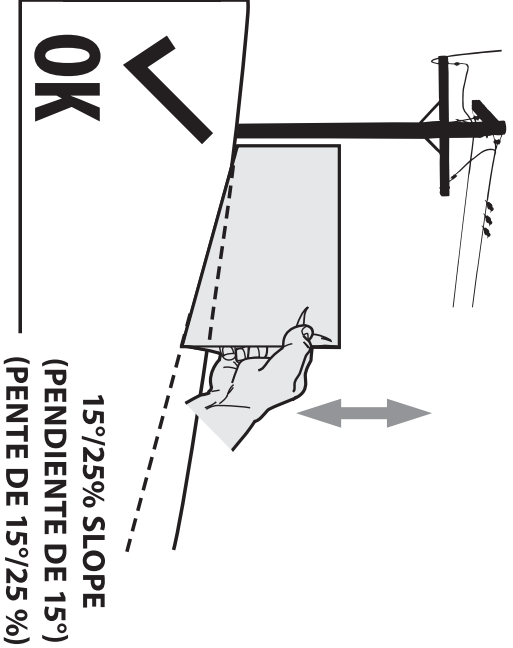
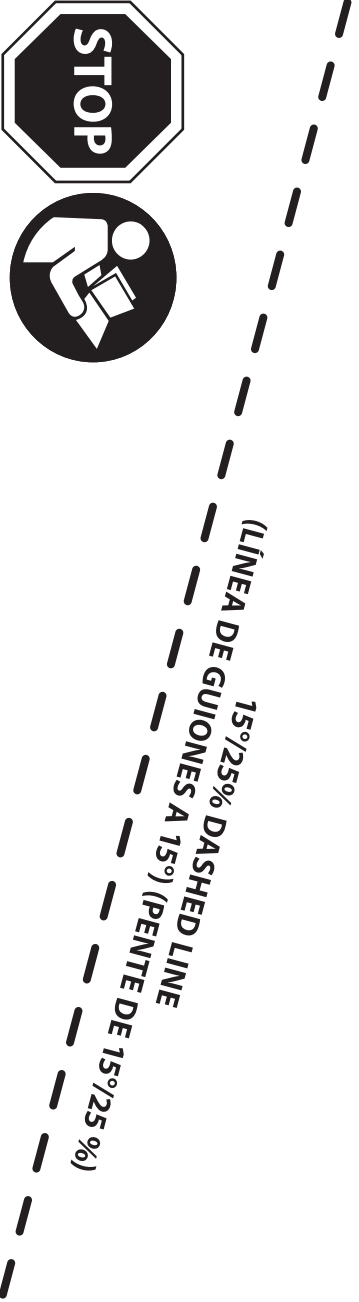


Fig. FF



SLOPE GAUGE (INDICADOR DE PENDIENTE) (INCLINOMÈTRE)





WARNING: Read all safety warnings and all instructions. Failure to follow the warnings and instructions may result in electric shock, fire and/or serious injury.



WARNING: To reduce the risk of injury, read the instruction manual.

Intended Use

This lawn mower has been designed for professional lawn mowing applications.

DO NOT use under wet conditions or in presence of flammable liquids or gases.

This lawn mower is a professional lawn care appliance.

DO NOT let children come into contact with the tool.

Supervision is required when inexperienced operators use this tool.

Definitions: Safety Alert Symbols and Words

This instruction manual uses the following safety alert symbols and words to alert you to hazardous situations and your risk of personal injury or property damage.



DANGER: Indicates an imminently hazardous situation which, if not avoided, **will** result in **death or serious injury**.



WARNING: Indicates a potentially hazardous situation which, if not avoided, **could** result in **death or serious injury**.



CAUTION: Indicates a potentially hazardous situation which, if not avoided, **may** result in **minor or moderate injury**.



(Used without word) Indicates a safety related message.

NOTICE: Indicates a practice **not related to personal injury** which, if not avoided, **may** result in **property damage**.

GENERAL POWER TOOL SAFETY WARNINGS



WARNING: Read all safety warnings, instructions, illustrations and specifications provided with this power tool. Failure to follow all instructions listed below may result in electric shock, fire and/or serious injury.

SAVE ALL WARNINGS AND INSTRUCTIONS FOR FUTURE REFERENCE.

The term "power tool" in the warnings refers to your mains-operated (corded) power tool or battery-operated (cordless) power tool.

1) Work Area Safety

- Keep work area clean and well lit.** Cluttered or dark areas invite accidents.
- Do not operate power tools in explosive atmospheres, such as in the presence of flammable liquids, gases or dust.** Power tools create sparks which may ignite the dust or fumes.
- Keep children and bystanders away while operating a power tool.** Distractions can cause you to lose control.

2) Electrical Safety

- Power tool plugs must match the outlet. Never modify the plug in any way. Do not use any adapter plugs with earthed (grounded) power tools.** Unmodified plugs and matching outlets will reduce risk of electric shock.
- Avoid body contact with earthed or grounded surfaces, such as pipes, radiators, ranges and refrigerators.** There is an increased risk of electric shock if your body is earthed or grounded.
- Do not expose power tools to rain or wet conditions.** Water entering a power tool will increase the risk of electric shock.
- Do not abuse the cord. Never use the cord for carrying, pulling or unplugging the power tool. Keep cord away from heat, oil, sharp edges or moving parts.** Damaged or entangled cords increase the risk of electric shock.
- When operating a power tool outdoors, use an extension cord suitable for outdoor use.** Use of a cord suitable for outdoor use reduces the risk of electric shock.
- If operating a power tool in a damp location is unavoidable, use a ground fault circuit interrupter (GFCI) protected supply.** Use of a GFCI reduces the risk of electric shock.

3) Personal Safety

- Stay alert, watch what you are doing and use common sense when operating a power tool. Do not use a power tool while you are tired or under the influence of drugs, alcohol or medication.** A moment of inattention while operating power tools may result in serious personal injury.
- Use personal protective equipment. Always wear eye protection.** Protective equipment such as a dust mask, non-skid safety shoes, hard hat, or hearing protection used for appropriate conditions will reduce personal injuries.
- Prevent unintentional starting. Ensure the switch is in the off position before connecting to power source and/or battery pack(s), picking up or carrying the tool.** Carrying power tools with your finger on the switch or energizing power tools that have the switch on invites accidents.
- Remove any adjusting key or wrench before turning the power tool on.** A wrench or a key left attached to a rotating part of the power tool may result in personal injury.
- Do not overreach. Keep proper footing and balance at all times.** This enables better control of the power tool in unexpected situations.
- Dress properly. Do not wear loose clothing or jewelry. Keep your hair, clothing and gloves away from moving parts.** Loose clothes, jewelry or long hair can be caught in moving parts.
- If devices are provided for the connection of dust extraction and collection facilities, ensure these are connected and properly used.** Use of dust collection can reduce dust-related hazards.

- h) **Do not let familiarity gained from frequent use of tools allow you to become complacent and ignore tool safety principles.** A careless action can cause severe injury within a fraction of a second.

4) Power Tool Use and Care

- a) **Do not force the power tool. Use the correct power tool for your application.** The correct power tool will do the job better and safer at the rate for which it was designed.
- b) **Do not use the power tool if the switch does not turn it on and off.** Any power tool that cannot be controlled with the switch is dangerous and must be repaired.
- c) **Disconnect the plug from the power source and/or remove the battery pack(s), if detachable, from the power tool before making any adjustments, changing accessories, or storing power tools.** Such preventive safety measures reduce the risk of starting the power tool accidentally.
- d) **Store idle power tools out of the reach of children and do not allow persons unfamiliar with the power tool or these instructions to operate the power tool.** Power tools are dangerous in the hands of untrained users.
- e) **Maintain power tools and accessories. Check for misalignment or binding of moving parts, breakage of parts and any other condition that may affect the power tool's operation. If damaged, have the power tool repaired before use.** Many accidents are caused by poorly maintained power tools.
- f) **Keep cutting tools sharp and clean.** Properly maintained cutting tools with sharp cutting edges are less likely to bind and are easier to control.
- g) **Use the power tool, accessories and tool bits, etc. in accordance with these instructions, taking into account the working conditions and the work to be performed.** Use of the power tool for operations different from those intended could result in a hazardous situation.
- h) **Keep handles and grasping surfaces dry, clean and free from oil and grease.** Slippery handles and grasping surfaces do not allow for safe handling and control of the tool in unexpected situations.

5) Battery Tool Use and Care

- a) **Recharge only with the charger specified by the manufacturer.** A charger that is suitable for one type of battery pack(s) may create a risk of fire when used with another battery pack(s).
- b) **Use power tools only with specifically designated battery pack(s).** Use of any other battery pack(s) may create a risk of injury and fire.
- c) **When battery pack(s) is not in use, keep it away from other metal objects, like paper clips, coins, keys, nails, screws or other small metal objects, that can make a connection from one terminal to another.** Shorting the battery terminals together may cause burns or a fire.

- d) **Under abusive conditions, liquid may be ejected from the battery; avoid contact. If contact accidentally occurs, flush with water. If liquid contacts eyes, additionally seek medical help.** Liquid ejected from the battery may cause irritation or burns.
- e) **Do not use a battery pack(s) or tool that is damaged or modified.** Damaged or modified batteries may exhibit unpredictable behavior resulting in fire, explosion or risk of injury.
- f) **Do not expose a battery pack(s) or tool to fire or excessive temperature.** Exposure to fire or temperature above 265 °F (130 °C) may cause explosion.
- g) **Follow all charging instructions and do not charge the battery pack(s) or tool outside the temperature range specified in the instructions.** Charging improperly or at temperatures outside the specified range may damage the battery and increase the risk of fire.

6) Service

- a) **Have your power tool serviced by a qualified repair person using only identical replacement parts.** This will ensure that the safety of the power tool is maintained.
- b) **Never service damaged battery pack(s).** Service of battery pack(s) should only be performed by the manufacturer or authorized service providers.

IMPORTANT SAFETY WARNINGS AND INSTRUCTIONS



WARNING: To reduce risk of injury:

- Before any use, be sure everyone using this tool reads and understands all safety instructions and other information contained in this manual.
- Save these instructions and review prior to use and in instructing others.



WARNING: When using battery powered lawn mowers, basic safety precautions should always be followed to reduce the risk of fire, electric shock, and personal injury, including the following:

READ ALL INSTRUCTIONS

GENERAL SAFETY WARNINGS AND INSTRUCTIONS FOR ALL LAWN MOWERS



DANGER:

- **This tool can be dangerous.** Follow all warnings and Safety Instructions in this manual. The operator is responsible for following warnings and instructions in this manual and on unit. Restrict use of this mower to persons who read, understand and follow warnings and instructions in this manual and on unit.
- **Avoid dangerous environment** – don't use lawn mowers in damp or wet locations.
- **Don't Use In Rain.**
- **Keep Children Away** – All visitors should be kept a safe distance from work area.

- **Dress Properly** – Do not wear loose clothing or jewelry. They can be caught in moving parts. Use of rubber gloves and footwear is recommended when working outdoors.
- **Use Safety Glasses** – Always use face or dust mask if operation is dusty.
- **Use Right Appliance** – Do not use lawn mower for any job except that for which it is intended.
- **Check for damaged parts.** Before further use of the mower, a guard or other part that is damaged should be carefully checked to determine that it will operate properly and perform its intended function. Check for alignment of moving parts, binding of moving parts, breakage of parts, mounting, and any other conditions that may affect their operation. A guard or other part that is damaged should be properly repaired or replaced by an authorized service center unless otherwise indicated elsewhere in this manual.
- **Repairs and service.** Repairs, maintenance and any adjustments not specified in this manual should be performed by authorized service centers or other qualified service organizations, always using identical replacement parts.
- **Don't Force Lawn Mower** – It will do the job better and safer at the rate for which it was designed.
- **Don't Overreach** – Keep proper footing and balance at all times.
- **Stay Alert** – Watch what you are doing. Use common sense. Do not operate lawn mower when you are tired.
- **Disconnect Lawn Mower** – Remove the safety key and battery pack(s) from the mower when not in use, before servicing, when changing accessories such as blades, and the like.
- **Store Idle Lawn Mower Indoors** – When not in use, lawn mower should be stored in an indoor dry and locked-up place – out of reach of children. Remove safety key and battery packs.
- **Maintain Lawn Mower With Care** – Keep cutting edges sharp and clean for best and safest performance. Follow instructions for lubricating and changing accessories. Keep handles dry, clean, and free from oil and grease.
- **Keep guards in place and in working order.**
- **Keep blades sharp.**
- **Keep hands and feet away from cutting area.**
- **Objects struck by the lawn mower blade can cause severe injuries to persons.** The lawn should always be carefully examined and cleared of all objects prior to each mowing.
- **If lawn mower strikes a foreign object, follow these steps:**
 1. Stop lawn mower. Release the bail handle.
 2. Remove battery pack(s) and safety key.
 3. Inspect for damage.
 4. Repair any damage before restarting and operating the lawn mower.
- **Use identical replacement blades only.**

SAVE THESE INSTRUCTIONS

IMPORTANT

Safe Practices for Pedestrian-Controlled Mowers

This machine is capable of amputating hands and feet and throwing objects. Failure to observe the following safety instructions could result in serious injury or death.

General Information

1. Read, understand, and follow instructions and warnings in this manual and on the machine, engine and attachments.
2. Only allow operators, who are responsible, trained, familiar with the instructions, and physically capable to operate the machine.
3. Do not operate the machine while under the influence of alcohol or drugs.

Preparation Before Operating

1. Clear the operating area of any objects which could be thrown by or interfere with operation of the machine.
2. Keep the area of operation clear of all bystanders, particularly small children and pets. Stop the machine and attachment(s) if anyone enters the area.
3. Do not operate the machine without the entire grass catcher, discharge chute, or other safety devices in place and functioning properly. Check frequently for signs of wear or deterioration and replace as needed.
4. Wear appropriate personal protective equipment such as safety glasses, hearing protection, respiratory protection and footwear.

Operating

1. Only operate the machine in daylight or good artificial light.
2. Avoid holes, ruts, bumps, rocks, or other hidden hazards. Uneven terrain could overturn the machine, or cause operator's loss of balance or footing. Tall grass can hide obstacles. Stay behind handle.
3. Do not put hands or feet near rotating parts or under the machine. Keep clear of the discharge opening at all times.
4. Do not direct discharge material toward anyone. Avoid discharging material against a wall or obstruction. Material may ricochet back toward the operator. Stop the blade(s) when crossing gravel surfaces.
5. Do not pull mower backward unless absolutely necessary. Always look down and behind before and while moving backward.
6. Always release the bail handle to stop the motor and wait until the blade comes to a complete stop and remove the safety key and battery pack(s) before cleaning the mower, removing the grass catcher, unclogging the discharge, when leaving the mower, when storing the mower, when transporting the mower, or before any adjustments, repairs or inspection.
7. If the mower should start to vibrate abnormally, release the bail handle, wait for the blade to stop and remove the safety key and battery pack(s), then check for the cause immediately. Vibration is generally a warning of trouble.

Children Specific

1. *Tragic accidents can occur if the operator is not alert to the presence of children. Children are often attracted to the machine and the mowing activity. Never assume that children will remain where you last saw them.*
2. *Keep children out of the operating area and under the watchful care of a responsible adult other than the operator.*
3. *Be alert and turn mower off if child enters the area.*



Do not mow down slopes.



Do not mow up slopes.

Slope Specific

1. *Slopes are a major factor related to accidents. Operation on slopes requires extra caution. Only mow slopes that are 15° or less using the Slope Gauge in Fig. GG. Do not mow slope if uncomfortable doing so.*
2. *Mow across the face of slopes; never up and down. Use caution while operating near dropoffs, ditches, or embankments.*
3. *Avoid mowing wet grass. (Poor footing could cause a slip and fall accident.)*
4. *Do not operate machine under any condition where traction, steering, or stability is in question. Mower could slide even if the wheels are stopped.*
5. *Avoid starting and stopping on slopes. Avoid making sudden changes in speed or direction. Make turns slowly and gradually.*
6. *Use extra care while operating machine with a grass catcher or other attachment(s). They can affect the stability of the machine.*



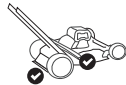
Mow across the face of slopes less than 15°/25%.



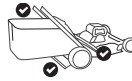
Always look down and behind before and while moving backward.



Do not operate machine without the rear flap or rear side discharge chute in place.



Operate machine with rear flap and rear side discharge chute in place.



Operate machine with rear flap and grass collection bag in place.

Service

1. *Keep machine in good working order. Replace worn or damaged parts.*
2. *Use caution when servicing blades. Wrap the blade(s) or wear gloves. Replace damaged blades. Do not repair or alter blade(s). Keep all nuts and bolts tight.*
3. *Keep mower free of grass, leaves, or other debris build-up.*
4. *Maintain or replace safety and instruction labels as necessary.*

The following are explanations of important safety hazard pictorials on the mower.



Rotating blades can cause serious injury. Keep hands and feet clear of mower deck and discharge opening at all times. Always be sure blade has stopped. Release bail handle to turn mower off and wait for the blade to stop rotating (approximately 3 seconds) and remove the safety key and battery pack(s) before removing and replacing grass catcher, cleaning, servicing, transporting or lifting the mower.



User must read and understand the instruction manual.



Always wear proper eye protection.



Objects struck by mower blade can cause serious injury. Stay behind the handle when the motor is running. Always ensure persons and pets are a safe distance from the mower while operating. Release bail handle to turn mower off and wait for the blade to stop rotating (approximately 3 seconds) before crossing walk, roads, patio and gravel drives.



Beware of sharp blades.



To avoid the risk of serious injury do not mow slopes at an angle of more than 15°/25%.



Always inspect mowing area before mowing and remove objects that could be thrown by blade.



Keep children and bystanders away while operating mower.



Additional Safety Information

WARNING: Never modify the power tool or any part of it. Damage or personal injury could result.

WARNING: ALWAYS use safety glasses. Everyday eyeglasses are NOT safety glasses. Also use face or dust mask if cutting operation is dusty. Wear hearing protection if cutting operation is noisy. ALWAYS WEAR CERTIFIED SAFETY EQUIPMENT:

- ANSI Z87.1 eye protection (CAN/CSA Z94.3),
- ANSI S12.6 (S3.19) hearing protection,
- NIOSH/OSHA/MSHA respiratory protection.

WARNING: Some dust created by this product contains chemicals known to the State of California to cause cancer, birth defects or other reproductive harm. Some examples of these chemicals are:

- compounds in fertilizers
- compounds in insecticides, herbicides and pesticides
- arsenic and chromium from chemically treated lumber

To reduce your exposure to these chemicals, wear approved safety equipment such as dust masks that are specially designed to filter out microscopic particles.

The label on your tool may include the following symbols. The symbols and their definitions are as follows:

V	volts	Ah	amp hours
Hz	hertz	~ or AC	alternating current
min	minutes	⎓ or AC/DC	alternating or direct current
— or DC	direct current	□	Class II Construction (double insulated)
Ⓜ	Class I Construction (grounded)	n ₀	no load speed
.../min	per minute	n	rated speed
BPM	beats per minute	PSI	pounds per square inch
IPM	impacts per minute	⊕	earthing terminal
OPM	oscillations per minute	⚠	safety alert symbol
RPM	revolutions per minute	☀	visible radiation—do not stare into the light
sfpm	surface feet per minute	☞	wear respiratory protection
SPM	strokes per minute		
A	amperes		
W	watts		
Wh	watt hours		

- wear eye protection
- wear hearing protection
- read all documentation
- do not expose to rain

Batteries and Chargers

The battery pack(s) is not fully charged out of the carton. Before using the battery pack(s) and charger, read the safety instructions below and then follow charging procedures outlined. When ordering replacement battery pack(s), be sure to include the catalog number and voltage.

READ ALL INSTRUCTIONS

Important Safety Instructions for All Battery Pack(s)

WARNING: Read all safety warnings, instructions, and cautionary markings for the battery pack(s), charger and product. Failure to follow the warnings and instructions may result in electric shock, fire and/or serious injury.

- Do not charge or use the battery pack(s) in explosive atmospheres, such as in the presence of flammable liquids, gases or dust. Inserting or removing the battery pack(s) from the charger may ignite the dust or fumes.
- NEVER force the battery pack(s) into the charger. DO NOT modify the battery pack(s) in any way to fit into a non-compatible charger as battery pack(s) may rupture causing serious personal injury. Consult the chart at the end of this manual for compatibility of batteries and chargers.
- Charge the battery pack(s) only in CRAFTSMAN chargers.
- DO NOT splash or immerse in water or other liquids.
- DO NOT allow water or any liquid to enter battery pack.
- Do not store or use the tool and battery pack(s) in locations where the temperature may reach or exceed 104 °F (40 °C) (such as outside sheds or metal buildings in summer). For best life store battery pack(s) in a cool, dry location.

NOTE: Do not store the battery pack(s) in a tool with the trigger switch locked on. Never tape the trigger switch in the ON position.

- Do not incinerate the battery pack(s) even if it is severely damaged or is completely worn out. The battery pack(s) can explode in a fire. Toxic fumes and materials are created when lithium-ion battery pack(s) are burned.
- Do not expose a battery pack(s) or appliance to fire or excessive temperature. Exposure to fire or temperature above 265 °F (130 °C) may cause explosion.
- Follow all charging instructions and do not charge the battery pack(s) or appliance outside of the temperature range specified in the instructions. Charging improperly or at temperatures outside of the specified range may damage the battery and increase the risk of fire.

- **If battery contents come into contact with the skin, immediately wash area with mild soap and water.** If battery liquid gets into the eye, rinse water over the open eye for 15 minutes or until irritation ceases. If medical attention is needed, the battery electrolyte is composed of a mixture of liquid organic carbonates and lithium salts.
- **Contents of opened battery cells may cause respiratory irritation.** Provide fresh air. If symptoms persist, seek medical attention.
- **Battery liquid may be flammable if exposed to spark or flame.**
- **Never attempt to open the battery pack(s) for any reason. If the battery pack(s) case is cracked or damaged, do not insert into the charger.** Do not crush, drop or damage the battery pack(s). Do not use a battery pack(s) or charger that has received a sharp blow, been dropped, run over or damaged in any way (e.g., pierced with a nail, hit with a hammer, stepped on). Damaged battery pack(s) should be returned to the service center for recycling.

Storage Recommendations

The best storage place is one that is cool and dry, away from direct sunlight and excess heat or cold. Store the fully charged battery pack(s) out of the charger.

Battery Pack(s) Cleaning Instructions

Dirt and grease may be removed from the exterior of the battery pack(s) using a cloth or soft non-metallic brush. Do not use water or any cleaning solutions.

Fuel Gauge Battery Pack(s) (Fig. B)

Some battery pack(s) include a fuel gauge. When the fuel gauge button is pressed and held, the LED lights will indicate the approximate level of charge remaining. This does not indicate tool functionality and is subject to variation based on product components, temperature, and end-user application.

Transportation

WARNING: Fire hazard. Do not store, carry, or transport the battery pack(s) so that metal objects can contact exposed battery terminals. For example, do not place the battery pack(s) in aprons, pockets, tool boxes, product kit boxes, drawers, etc., with loose nails, screws, keys, coins, hand tools, etc. When transporting individual battery pack(s), make sure that the battery terminals are protected and well insulated from materials that could contact them and cause a short circuit. **NOTE: Li-ion battery pack(s) should not be put in checked baggage on airplanes and must be properly protected from short circuits if they are in carry-on baggage.**

The RBRC® Seal

Please take your spent battery pack(s) to an authorized CRAFTSMAN service center or to your local retailer for recycling. In some areas, it is illegal to place spent battery pack(s) in the trash. You may also contact your local recycling center for information on where to drop off the spent battery pack(s). Do not place in curbside recycling. For more



information visit www.call2recycle.org or call the toll-free number in the RBRC® Seal.

RBRC® is a registered trademark of Call 2 Recycle, Inc.

Important Safety Instructions for All Battery Chargers

- **WARNING: Read all safety warnings, instructions, and cautionary markings for the battery pack(s), charger and product. Failure to follow the warnings and instructions may result in electric shock, fire and/or serious injury.**
- **DO NOT attempt to charge the battery pack(s) with any chargers other than a CRAFTSMAN charger.** CRAFTSMAN chargers and battery pack(s) are specifically designed to work together.
- **These chargers are not intended for any uses other than charging CRAFTSMAN rechargeable battery pack(s).** Charging other types of battery pack(s) may cause them to overheat and burst, resulting in personal injury, property damage, fire, electric shock or electrocution.
- **Do not expose the charger to rain or snow.**
- **Do not allow water or any liquid to enter charger.**
- **Pull by the plug rather than the cord when disconnecting the charger.** This will reduce the risk of damage to the electric plug and cord.
- **Make sure that the cord is located so that it will not be stepped on, tripped over or otherwise subjected to damage or stress.**
- **Do not use an extension cord unless it is absolutely necessary.** Use of improper extension cord could result in risk of fire, electric shock or electrocution.
- **When operating a charger outdoors, always provide a dry location and use an extension cord suitable for outdoor use.** Use of a cord suitable for outdoor use reduces the risk of electric shock.
- **An extension cord must have adequate wire size (AWG or American Wire Gauge) for safety.** The smaller the gauge number of the wire, the heavier the cord and thus the greater its capacity. An undersized cord will cause a drop in line voltage resulting in loss of power and overheating. The following table shows the correct size to use depending on total length of all extension cords plugged together, and nameplate ampere rating. If in doubt, use the next heavier gauge.

Minimum Gauge for Cord Sets

Volts	Total Length of Cord in Feet (meters)			
	25 (7.6)	50 (15.2)	100 (30.5)	150 (45.7)
Ampere Rating	American Wire Gauge			
More Than	Not More Than			
0	6	18	16	16
6	10	18	16	14
10	12	16	16	14
12	16	14	12	Not Recommended

- **Do not place any object on top of the charger or place the charger on a soft surface that might block the ventilation slots and result in excessive internal heat.**

Place the charger in a position away from any heat source. The charger is ventilated through slots in the top and the bottom of the housing.

- **Do not operate the charger with a damaged cord or plug.** Have them replaced immediately.
- **Do not operate the charger if it has received a sharp blow, been dropped or otherwise damaged in any way.** Take it to an authorized service center.
- **The charger is designed to operate on standard 120V household electrical power. Do not attempt to use it on any other voltage.** This does not apply to the vehicular charger.
- **Foreign materials of a conductive nature, such as, but not limited to, grinding dust, metal chips, steel wool, aluminum foil or any buildup of metallic particles should be kept away from the charger cavities and ventilation slots.**
- **Always unplug the charger from the power supply when there is no battery pack(s) in the cavity.**

Charging a Battery (Fig. C, D)

1. Plug the charger into an appropriate outlet.
2. Insert and fully seat battery pack(s). Green charging light(s) will continuously blink while charging.
3. Charging is complete when the green charging light(s) remains continuously ON. Battery pack(s) can be left in charger or removed.
4. Charger will not charge a faulty battery pack(s), which may be indicated by the light(s) staying OFF. Take charger and battery pack(s) to an authorized service center if light(s) stays OFF.

NOTE: Refer to label near charging light(s) on charger for blink patterns.

Hot/Cold Pack Delay

When the charger detects a battery pack(s) that is too hot or too cold, it automatically starts a Hot/Cold Pack Delay, suspending charging until the battery pack(s) has reached an appropriate temperature. The charger then automatically switches to the pack charging mode. This feature ensures maximum battery pack(s) life.

A cold battery pack(s) may charge at a slower rate than a warm battery pack(s).

The hot/cold pack delay will be indicated by the green light(s) continuing to blink but with the red light(s) continuously ON. Once the battery pack(s) has reached an appropriate temperature, the red light(s) will turn OFF and the charger will resume the charging procedure.

Electronic Protection System

Li-Ion tools are designed with an Electronic Protection System that will protect the battery pack(s) against overloading, overheating or deep discharge. The tool will automatically turn off and the battery pack(s) will need to be recharged.

Important Charging Notes

1. Longest life and best performance can be obtained if the battery pack(s) **21** are charged when the air temperature is between 65 °F – 75 °F (18 °C – 24 °C). DO NOT charge when the battery pack(s) is below +40 °F (+4.5 °C), or above +104 °F (+40 °C). This is important and will prevent serious damage to the battery pack(s).
2. The charger and battery pack(s) may become warm to the touch while charging. This is a normal condition, and does not indicate a problem. To facilitate the cooling of the battery pack(s) after use, avoid placing the charger or battery pack(s) in a warm environment such as in a metal shed or an uninsulated trailer.
3. If the battery pack(s) does not charge properly:
 - a. Check operation of receptacle by plugging in a lamp or other appliance;
 - b. Check to see if receptacle is connected to a light switch which turns power off when you turn out the lights;
 - c. If charging problems persist, take the tool, battery pack(s) and charger to your local service center.
4. You may charge a partially used pack whenever you desire with no adverse effect on the battery pack.

Charger Cleaning Instructions



WARNING: Shock hazard. Disconnect the charger from the AC outlet before cleaning. Dirt and grease may be removed from the exterior of the charger using a cloth or soft non-metallic brush. Do not use water or any cleaning solutions.

Wall Mounting

Some CRAFTSMAN chargers are designed to be wall mountable or to sit upright on a table or work surface. If wall mounting, locate the charger within reach of an electrical outlet, and away from a corner or other obstructions which may impede air flow. Use the back of the charger as a template for the location of the mounting screws on the wall. Mount the charger securely using drywall screws (purchased separately) at least 1" (25.4 mm) long, with a screw head diameter of 0.28–0.35" (7–9 mm), screwed into wood to an optimal depth leaving approximately 7/32" (5.5 mm) of the screw exposed. Align the slots on the back of the charger with the exposed screws and fully engage them in the slots.

NOTE: Do not attempt to mount CMCB102 charger under a bench or table.

NOTE: Only mount CMCB101 charger with the charging light(s) pointed upward toward the ceiling.

VersaTrack™



WARNING: Do not charge batteries while charger is hung on Trackwall.

CRAFTSMAN chargers, except the CMCB101, can be stored on CRAFTSMAN VersaTrack™ Trackwall. Hooks and accessories are sold separately. Please refer to the VersaTrack™ Trackwall accessory sheet for further information.

NOTE: The CMCB101 charger is not CRAFTSMAN VersaTrack™ Trackwall compatible.

SAVE THESE INSTRUCTIONS FOR FUTURE USE

ASSEMBLY AND ADJUSTMENTS

⚠ DANGER: To reduce the risk of serious personal injury, turn unit off and remove the safety key and battery pack(s) before making any adjustments or removing/installing attachments or accessories. An accidental start-up can cause injury.

Single Touch Handle Adjustments (Fig. E, F)

The mower is shipped in the storage position. You will need to adjust the single touch handle ① to the operating position before continuing.

Raise the Single Touch Handle (Fig. E, F)

- To unlock the single touch handle ① from the storage position, squeeze the handle unlock button ③. **NOTE:** The handle unlock button ③ is located on the back of handle support ②. **NOTE:** The main handle ④ must pop out slightly from both sides of the single touch handle tubes before lifting the single touch handle ① from the storage position as shown in Fig. E.
- Raise the single touch handle ① to the locked position. Listen for an audible click and ensure the single touch handle ① is locked into position before proceeding.
- Extend the main handle ④ outward until a set of audible clicks is heard. The single touch handle ① is now in the operation position. **NOTE:** Take care to not pinch, pull or otherwise stress the cord ②③.

Adjusting the Main Handle Height (Fig. G)

The main handle ④ extends to accommodate taller users.

- To extend the main handle ④ to the lower height position, press the handle release button ⑤ and pull the main handle away from the handle support ② until an audible click is heard, indicating that it is locked into the lower height position. **NOTE:** The handle release button ⑤ is located on the bottom of handle support ②.
- To extend the main handle ④ to the upper height position, press the handle release button ⑤ and pull the main handle away from the handle support ② until an audible click is heard, indicating that it is locked into the upper height position.
- Ensure the main handle ④ locks into position before proceeding.
- To retract the main handle ④ to the lower height position, press the handle release button ⑤ and push the main handle ④ towards the handle support ② until an **audible click is heard**, indicating that it is locked into the lower height position.
- Ensure the main handle ④ locks into position before proceeding.

Storage Mode (Fig. H—M)

⚠ DANGER: MAKE CERTAIN THE SAFETY KEY IS REMOVED TO PREVENT ACTUATION BEFORE REMOVING OR INSTALLING BATTERY.

⚠ DANGER: Turn unit off and remove safety key and battery pack(s).

- To retract the main handle ④, press the handle release button ⑤ and push the main handle ④ towards the handle support ② until two audible clicks are heard, indicating that both sides of the handles are locked into position. The main handle ④ must be fully seated against the handle support.

NOTE: The main handle ④ must fully engage the handle windows ②④. If they are not engaged as shown in Fig. H, press the main handle ④ towards the handle support ② until two audible clicks are heard and both sides of handle windows ②④ are closed as shown in Fig. I.

NOTE: Ensure the two storage latches ②⑤ at the back of the single touch handle ① tubes pop outward as shown in Fig. K before lowering the single touch handle ① into the storage position.

- Fold the single touch handle ① towards the front wheels ②⑦ into storage position. Listen for two audible clicks as the two storage latches ②⑤ slide into the storage slots ②⑥ as shown in Fig. K.
- Ensure the single touch handle ① is locked into storage position before proceeding.
- The mower can be stored standing up, with the collection bag removed, or flat on its wheels as shown in Fig. M. **NOTE:** Take care to not pinch, pull or otherwise stress the cord ②③.

Grass Collection Bag (Fig. N)

⚠ DANGER: Turn unit off and remove safety key and battery pack(s).

- Lift the rear door cover ①⑤, remove mulching plug ①⑧, and place the grass collection bag ①⑥ onto the mower so the bag lugs ②⑧ slide into the slots ②⑨ on the inside plastic surfaces of the handle brackets. Then lower the rear door cover ①⑤. **NOTE:** If installed, remove rear side discharge chute ①⑨ and ensure the rear door cover ①⑤ is fully up before installing grass collection bag ①⑥.

Mulching (Fig. O)

⚠ DANGER: Turn unit off and remove safety key and battery pack(s).

- To operate mower in mulching mode, remove the grass collection bag ①⑥ or rear side discharge chute ①⑨.
- Lift the rear door cover ①⑤ and slide the mulching plug ①⑧ fully into the mower.
- Ensure the pins ③① on the mulching plug ①⑧ engage the slots ③① on the mower as shown in Fig. O.
- Be sure rear door cover ①⑤ is closed.

Side Discharge (Fig. P)

⚠ DANGER: Turn unit off and remove safety key and battery pack.

1. To operate mower in side discharge mode, remove the grass collection bag **16**.
NOTE: If installed, remove the mulching plug **18**.
2. Lift the rear door cover **15** and hook rear side discharge chute **19** onto the mower and engage slot on left as shown in Fig. P.
3. Release the rear door cover **15** and ensure the rear side discharge chute **19** is secured in place before operating the mower.

Adjusting Mower Height (Fig. Q)

The height of cut is adjusted by the cut height adjustment lever **14**.

NOTE: If you are not sure which height to mow at, begin mowing with the cut height adjustment lever **14** positioned at the highest setting and adjust height down as needed for your application.


To Set the Height of Cut

1. Pull the cut height adjustment lever **14** out of the locking notch **56**.
2. Move the cut height adjustment lever **14** towards the rear of the mower to raise the height of cut.
3. Move the cut height adjustment lever **14** towards the front of the mower to lower the height of cut.
4. Push the cut height adjustment lever **14** into one of the locking notches **56**.



Headlights (Fig. A)

Headlights **20** are always on when mower is powered on.

OPERATION

-  **DANGER:** To reduce the risk of serious personal injury, turn unit off and remove the safety key and battery pack(s) before making any adjustments or removing/installing attachments or accessories. An accidental start-up can cause injury.


Proper Hand Position (Fig. R)


-  **WARNING:** To reduce the risk of serious personal injury, ALWAYS use proper hand position as shown.
-  **WARNING:** To reduce the risk of serious personal injury, ALWAYS hold securely in anticipation of a sudden reaction.


Proper hand position requires both hands grasping the main handle **4** and bail handle **8** together when not in self-propel mode; and both hands grasping the main handle, bail handle, and self drive lever **9** together when in self-propel mode as shown in Fig. R.


READ THIS INSTRUCTION MANUAL BEFORE OPERATING YOUR MOWER

Refer to Fig. A at the beginning of this manual for a list of components. Save this manual for future reference.

-  **DANGER:** Sharp moving blade. Do not operate the mower in mulching mode if the rear door is not closed under spring tension as serious injury could result. Take your mower to the nearest service center for repair.

-  **DANGER:** Do not operate mower unless handle is locked into position.

-  **DANGER:** Sharp moving blade. Never operate the mower in bagging mode unless the bag lugs on the grass collection bag are seated properly on the mower and the rear door rests firmly against the top of the grass collection bag as serious injury could result.

-  **DANGER:** Sharp moving blade. Do not operate the mower in side discharge mode unless the rear side discharge chute is properly installed with the rear door cover resting firmly against it.

-  **WARNING:** Let the mower work at its own pace. Do not overload.

Installing and Removing the Battery Pack(s) (Fig. S, U)

-  **DANGER: MAKE CERTAIN THE SAFETY KEY IS REMOVED TO PREVENT ACTUATION BEFORE REMOVING OR INSTALLING BATTERY.**

The mower will turn off and the state of charge indicator **12** will blink if the battery pack(s) reaches the high temperature limit, which can be caused by cutting heavy grass. If this occurs, allow the battery pack(s) to cool and then resume cutting with the mower deck set higher.

NOTE: For best results, make sure the battery pack(s) is fully charged.

NOTE: Both battery packs are required for the mower to operate.


To Install Battery Pack(s)


1. Lift and hold the battery port cover **13** up to expose the battery port **33**.
2. Slide a battery pack(s) **21** into the battery port **33** until an audible click is heard (Fig. S).
NOTE: Ensure the battery pack(s) is fully seated and fully latched into position.
3. Close the battery port cover **13**. Ensure the battery port cover is fully closed before starting mower.

To Remove Battery Pack(s)

1. Lift and hold the battery port cover **13** up to expose the battery port **33**.
2. Depress the battery release button **22** and pull the battery pack(s) **21** out of battery port.


Safety Key (Fig. T)


-  **DANGER:** Sharp moving blade. In order to prevent accidental start-up or unauthorized use of your cordless mower, a removable safety key has been incorporated into the design of your mower. The mower will be completely disabled when the safety key has been removed from the mower.

-  **DANGER:** Rotating blades can cause serious injury. To prevent serious injury, turn unit off and remove safety key and battery pack(s) when unattended, or when charging, cleaning, servicing, transporting, lifting, or storing mower.

1. Insert safety key **6** into the key slot **34**, located on the main handle **4**, until it is fully seated inside of the key slot **34** as shown in Fig. T.
2. The mower is now operational.


Starting Mower (Fig. S, T)

 **DANGER: Sharp moving blade. Never attempt to override the operation of the switch box and safety key system as serious injury could result.**

 **WARNING: Ensure self drive is disengaged before starting the mower.**


NOTE: Mower is operational when the battery pack(s) **21** and safety key **6** are installed.

1. Lift and hold the battery port cover **13** up to expose the battery port **33**.
2. Slide a battery pack(s) **21** into the battery port **33** until an audible click is heard.
NOTE: Ensure the battery pack(s) is fully seated and fully latched into position before starting mower.
3. Close the battery port cover **13**. Ensure the battery port cover **13** is fully closed before starting the mower.
4. Insert safety key **6** into the key slot **34**, located on the main handle **4**, until it is fully seated inside of the key slot **34** as shown in Fig. T.
5. To start the mower blades, continue to hold the bail handle **8** to the main handle **4** and then press the power button **11**.
NOTE: Once the mower starts you can release the power button **11**, but you must continue to hold the bail handle **8** to the main handle **4** for the mower to stay running.
6. To turn the mower OFF, release the bail handle **8**.

 **WARNING: Never attempt to lock a switch or bail handle in the ON position.**

NOTE: Once the bail handle **8** has returned to the original position it will activate the "Automatic Braking Mechanism." The motor is braked and the mower blades will stop rotating in three seconds or less. If mower blades rotate longer than three seconds, discontinue using mower and have it serviced.

Self Drive System (Fig. V)

 **DANGER: Sharp moving blade. Never attempt to override the operation of the switch box, the self drive system or the safety key system as serious injury could result.**

Your mower is equipped with a self drive system which functions independently of the mower blades.

1. To use self drive, press the self drive lever **9** towards the main handle **4**.
2. To turn off self drive, release the self drive lever **9**.

NOTE: During cutting, at times it may be easier to maneuver around an object, such as a tree or plants, with the self drive off. The mower can easily be used with the self drive system off.

Speed Adjustment Dial (Fig. W)


Your mower is equipped with a speed adjustment dial **10** (located on the right-hand side of the handle panel). The numbers on the speed adjustment dial **10** indicate how quickly or slowly the self drive system propels the mower. Choosing a lower number propels the mower at a slower pace. Choosing a higher number propels the mower at a faster pace.


1. To increase the speed of the self drive system, rotate the speed adjustment dial **10** towards the rabbit icon **35**.
NOTE: The speed adjustment dial **10** will display a higher number.
2. To decrease the speed of the self drive system, rotate the speed adjustment dial **10** towards the turtle icon **36**.
NOTE: The speed adjustment dial **10** will display a lower number.

Mower Overload

To prevent damage due to overload conditions, do not try to remove too much grass at one time. Slow down your cutting pace, or raise the cut height.

Mowing Tips (Fig. A)

 **WARNING: ALWAYS INSPECT AREA WHERE MOWER IS TO BE USED AND REMOVE ALL STONES, STICKS, WIRE, BONES, AND OTHER DEBRIS WHICH MIGHT BE THROWN BY THE ROTATING BLADE.**

 **WARNING: Mow across the face of slopes, never up-and-down. Exercise extreme caution when changing direction on slopes. Do not mow excessively steep slopes (greater than 15°). Always maintain good footing.**

- Release bail handle **8** to turn mower "OFF" when crossing any gravel area (stones can be thrown by the blades).
- Set mower at highest cutting height when mowing in rough ground or in tall weeds. Removing too much grass at one time can cause the motor to be overloaded and to stop.
- If a grass collection bag **16** is used during the fast growing season, the grass may tend to clog up at the discharge opening. Release bail handle to turn mower off, remove the safety key **6** and battery pack(s) **21**. Remove the grass collection bag **16** and shake the grass down to the back end of the bag. Also clean out any grass or debris which may be packed around the discharge opening. Reinstall the grass collection bag **16**.
- If mower should start to vibrate abnormally, release bail handle to turn mower off, remove the safety key and battery pack(s). Immediately check for cause. Vibration is a warning of trouble. Do not operate the mower until a service check has been made.
- For best cutting results, keep blades sharpened and balanced.
- Inspect and thoroughly clean mower after each use. A deck with caked grass will degrade performance.
- Always release the bail handle to turn mower off, remove safety key and battery pack(s) when leaving it unattended even for a short period of time.

The following suggestions will help you to obtain optimum runtime from your cordless mower:

- Slow down your cutting pace in areas where the grass is especially long or thick.
- Avoid mowing when the grass is wet from rain or dew-soaked.

- Cut your lawn frequently, especially during high growth periods.

NOTE: It is recommended that your battery pack(s) be recharged after each use to prolong the battery pack(s) life. Frequent charging will not harm your battery pack(s), and will ensure that the battery pack(s) is fully charged and ready for its next use.

NOTE: Storing the battery pack(s) not fully charged will shorten its life.

MAINTENANCE

⚠ DANGER: To reduce the risk of serious personal injury, turn unit off and remove the safety key and battery pack(s) before making any adjustments or removing/installing attachments or accessories. An accidental start-up can cause injury.

Removing and Installing Blades

(Fig. X—DD)

⚠ DANGER: RISK OF INJURY. WHEN REASSEMBLING THE BLADE SYSTEM, ENSURE EACH PART IS REINSTALLED CORRECTLY, AS DESCRIBED BELOW. IMPROPER ASSEMBLY OF THE BLADES OR OTHER PARTS OF THE BLADE SYSTEM MAY CAUSE SERIOUS INJURY.

⚠ DANGER: To reduce the risk of serious personal injury, turn unit off, remove safety key and battery pack(s) before making any adjustments or removing/installing attachments or accessories. An accidental start-up can cause injury.

Replacement blades are available from your nearest authorized service center. This mower requires replacement blades: CMZMW221.

Cut a piece of 2" x 4" wood **37** (about 2 feet long) (610 mm) to keep blades from turning when removing the blade assembly bolt **38**.

⚠ WARNING: Use gloves and proper eye protection. Turn the mower on its side. Be careful of sharp edges of blades.

1. Position the mower on its side, with two wheels flat on the ground.
2. Position the 2" x 4" wood **37** between the blade assembly **42** and outer lip of deck as shown in Fig. X to keep the blades from turning.
3. Unscrew and remove the blade assembly bolt **38** counterclockwise with a 9/16" (14 mm) wrench **39** (not included) as shown in Fig. X, Y.
4. Remove the keyed spacer **40** and blade assembly **42** from the blade shaft **44**.
5. Secure the blade assembly **42** in a vise **43** as shown in Fig. Z.
6. Unscrew the four blade nuts **46** counterclockwise with a 9/16" (14 mm) wrench **39** (not included) as shown in Fig. Z. First unscrew the two blade nuts **46** for blade **2 47** and remove blade **2**. Then unscrew the two blade nuts **46** for blade **1 48** and pull blade **1** from the blade hub **49**.

NOTE: The mower blades **47** and **48** have keyed

mounting holes **50** permitting them to only be installed onto the blade hub **49** in the correct orientation.

7. Examine all pieces for damage and replace if necessary.
8. Install sharpened or new blades onto the blade hub **49** as shown in Fig. AA, BB.
9. Blade **1 48** is installed first, the bolt holes being aligned with the outer blade studs **51** and keyed mounting hole **50** on the blade hub **49** as shown in Fig. AA. **NOTE:** Ensure the keyed mounting hole **50** engages the key **52** on the blade hub **49** as shown in Fig. AA. The key **52** should be proud of blade **1 48**.
10. Blade **2 47** is installed second, the bolt holes being aligned with the inner blade studs **53** and keyed mounting hole **50** on the blade hub **49** as shown in Fig. BB. **NOTE:** Ensure the keyed mounting hole **50** engages the key **52** on the blade hub **49** and sits flush as shown in Fig. BB. **NOTE:** If blade **2 47** is not flush with the key **52** on the blade hub **49**, then the blades have been mounted in the incorrect order and must be reversed.
11. Thread the four blade nuts **46** onto the blade studs **51** and **53** as shown in Fig. AA, BB. Hand tighten the four blade nuts **46**. **NOTE:** When replacing sharpened or new blades on blade hub **49** make sure the bottom of the blade as marked **Grass Side** will be facing the ground when the mower is returned to its normal upright position.
12. Secure the blade assembly **42** in a vise **43**. Tighten the four blade nuts **46** clockwise with a 9/16" (14 mm) wrench **39** (not included). Torque the four blade nuts **46** to 13-20 ft-lbs.
13. In this order, install the blade assembly **42** and keyed spacer **40** onto the blade shaft **44** as shown in Fig. CC. **NOTE:** Align the keys **41** on the keyed spacer **40** with the key slots **45** on the blade shaft **44** as shown in Fig. CC.
14. Install the blade assembly bolt **38** and hand tighten.
15. Position the 2" x 4" wood **37** between the blade assembly **42** and outer lip of deck as shown in Fig. DD to keep the blades from turning.
16. Fully tighten the blade assembly bolt **38** using a 9/16" (14 mm) wrench **39** (not included). Torque the blade assembly bolt **38** to 37-50 ft-lbs.
17. Return the mower to its normal upright position.

Blade Sharpening

KEEP BLADE SHARP FOR BEST MOWER PERFORMANCE. A DULL BLADE DOES NOT CUT GRASS CLEANLY.

⚠ WARNING: Use gloves and proper eye protection while removing, sharpening, and installing blades. Ensure that safety key and battery pack(s) are removed.

Sharpening the blades twice during a mowing season is usually sufficient under normal circumstances. Sand causes the blade to dull quickly. If your lawn has sandy soil, more frequent sharpening may be required. **REPLACE BENT OR DAMAGED BLADES IMMEDIATELY.**

When Sharpening a Blade:

- Make sure blade remains balanced.
- Sharpen blades at the original cutting angle.
- Sharpen cutting edges on both ends of blade, removing equal amounts of material from both ends.

To Sharpen Blade(s) in a Vise (Fig. EE)

1. Be sure the bail handle is released, the blades have stopped and safety key and battery pack(s) are removed before removing the blades.
2. Remove blades from mower. See instructions for **Removing and Installing Blades**.
3. Secure blade **47** or **48** in a vise **43**.
4. Wear proper eye protection and gloves and be careful not to cut yourself.
5. Carefully file the cutting edges of the blade with a fine tooth file **54** (not included) or sharpening stone (not included), maintaining the angle of the original cutting edge.
6. Check balance of blade. See instructions for **Blade Balancing**.
7. Replace blades on mower and tighten securely.

Blade Balancing (Fig. FF)

Check balance of each blade **47** or **48** by placing the keyed mounting hole **50** over a nail or round screwdriver **55**, clamped horizontally in a vise **43**. If either end of a blade rotates downward, file along the sharp edge of that dropping end. Blade is properly balanced when neither end drops.

Cleaning (Fig. A)



WARNING: Blow dirt and dust out of all air vents with clean, dry air at least once a week. To minimize the risk of eye injury, always use ANSI Z87.1 (CAN/CSA Z94.3) approved eye protection and NIOSH/OSHA/MSHA approved respiratory protection when performing this.



WARNING: Never use solvents or other harsh chemicals for cleaning the non-metallic parts of the tool. These chemicals may weaken the plastic materials used in these parts. Use a cloth dampened only with water and mild soap. Never let any liquid get inside the tool; never immerse any part of the tool into a liquid.

- Release bail handle **8** to turn mower off, let the blades come to a stop.
- Remove the battery pack(s) and safety key.
- Clean out any clippings which may have accumulated on the underside of the deck. Do not spray with water or any other liquids.
- After several uses, check all exposed fasteners for tightness.

Corrosion (Fig. A)

Fertilizers and other garden chemicals contain agents which greatly accelerate the corrosion of metals. If you mow in areas where fertilizers or chemicals have been used, the mower should be cleaned immediately afterward as follows:

Release bail handle **8** to turn mower off and remove battery and safety key. Wipe all exposed parts with a damp cloth.



CAUTION: Do not pour or spray water on the mower in an attempt to clean it. Do not store the tool on or adjacent to fertilizers or chemicals. Such storage can cause rapid corrosion.

Meets CPSC Safety Requirements

CRAFTSMAN mowers conform to the safety standards of the American National Standards Institute, and the U.S. Consumer Product Safety Commission. The blades turn when the blade motor is running.

Accessories



WARNING: Since accessories, other than those offered by CRAFTSMAN, have not been tested with this product, use of such accessories with this product could be hazardous. To reduce the risk of injury, only CRAFTSMAN-recommended accessories should be used with this product.

Recommended accessories for use with your product are available at extra cost from your local dealer or authorized service center. If you need assistance in locating any accessory, please contact CRAFTSMAN. Call **1-888-331-4569**.

Repairs

The charger and batteries are not serviceable. There are no serviceable parts inside the charger or battery pack.



WARNING: To assure product SAFETY and RELIABILITY, repairs, maintenance and adjustment (including brush inspection and replacement, when applicable) should be performed by a factory service center or an authorized service center. Always use identical replacement parts.

Register Online

Thank you for your purchase. Register your product now for:

- **WARRANTY SERVICE:** Registering your product will help you obtain more efficient warranty service in case there is a problem with your product.
- **CONFIRMATION OF OWNERSHIP:** In case of an insurance loss, such as fire, flood or theft, your registration of ownership will serve as your proof of purchase.
- **FOR YOUR SAFETY:** Registering your product will allow us to contact you in the unlikely event a safety notification is required under the Federal Consumer Safety Act.

Register online at www.craftsman.com/account/login.

Three-Year Limited Warranty


For warranty terms, go to www.craftsman.com/pages/warranty.

To request a written copy of the warranty terms, contact: Customer Service at CRAFTSMAN, 701 East Joppa Road, Towson, MD 21286 or call **1-888-331-4569**.

LATIN AMERICA: This warranty does not apply to products sold in Latin America. For products sold in Latin America, see country-specific warranty information contained in the packaging, call the local company or see website for warranty information.

FREE WARNING LABEL REPLACEMENT: If your warning labels become illegible or are missing, call **1-888-331-4569** for a free replacement.

TROUBLESHOOTING GUIDE

 **DANGER:** To reduce the risk of serious personal injury, turn unit off, remove safety key, and remove battery pack(s) before making any adjustments or removing/installing attachments or accessories. An accidental start-up can cause injury.

For assistance with your product call CRAFTSMAN at 1-888-331-4569.

PROBLEM	SOLUTION
Mower doesn't run when bail handle is activated	<p>Check to make sure safety key has been installed and is fully seated and that power button has been pressed.</p> <p>Release bail handle. Turn mower off. Remove safety key and battery pack(s). Turn mower over and check that the blades turn freely.</p> <p>Check that the battery cavity is free of debris and is connected properly.</p> <p>Has battery been fully charged? Press state of charge button on battery.</p> <p>Is battery state of charge indicator solid red (Fig. U)? Charge battery.</p> <p>Is battery state of charge indicator blinking red (Fig. U)?</p> <ul style="list-style-type: none"> • Check battery pack(s) state of charge - If battery pack(s) depleted, recharge battery pack(s). • Check battery pack(s) state of charge - If not depleted, battery pack(s) are over temperature and have shut down. Allow battery pack(s) to cool and then resume cutting.
Blade motor stops while mowing	<p>Release bail handle. Turn mower off. Remove safety key and battery pack(s). Turn mower over and check that the blades turn freely.</p> <p>Raise cutting height of wheels to highest position and start mower.</p> <p>Check that the battery cavity is free of debris.</p> <p>Has battery been fully charged? Press state of charge button on battery.</p> <p>Avoid overloading the mower. Slow down the cutting pace, or raise the cut height.</p>
The single touch handle ① will not lock into the storage position	<p>Ensure the two storage latches 25 at the bottom of the single touch handle ① tubes pop outward before lowering the single touch handle ① into the storage position.</p> <p>The main handle ④ must fully engage the handle windows 24. If they are not engaged as shown in Fig. H, press the main handle ④ towards the handle support ② until two audible clicks are heard and both sides of handle windows 24 are closed as shown in Fig. I.</p>
Self drive motor stops while working	<p>Shut down power to the self driving mower.</p> <p>Clean the self drive motor housing of debris.</p> <p>Check that the wheels are spinning freely.</p>
Mower runs but cutting performance is unsatisfactory, or does not cut entire lawn	<p>Has battery been fully charged? Press state of charge button on battery.</p> <p>Release bail handle to turn mower off. Remove safety key and battery pack(s). Turn mower over and check:</p> <ul style="list-style-type: none"> • Blades for sharpness - Keep blades sharp. • Deck and discharge chute for clogging. <p>Wheel height adjustment may be set too low for grass condition. Raise cutting height.</p>
Mower is too hard to push	<p>Release bail handle to turn mower off. Remove safety key and battery pack(s). Raise cutting height to reduce deck drag on grass. Check each wheel for free rotation.</p>
Mower is abnormally noisy and vibrates	<p>Release bail handle to turn mower off. Remove safety key and battery pack(s). Turn mower on side and check blade to ensure it has not been bent or damaged. If blade is damaged, replace with a CRAFTSMAN replacement blade. If the underside of the deck is damaged, return mower to a CRAFTSMAN authorized service center.</p> <p>If there is no visible damage to the blade and the mower still vibrates: Release bail handle to turn mower off. Remove safety key and battery pack(s). Disassemble entire blade assembly as described in the Removing and Installing Blades section. Remove any debris and clean each piece. Replace each piece as described in the Removing and Installing Blades section. If mower still vibrates, return the mower to an authorized CRAFTSMAN service center.</p>
Mower not picking up clippings with bag	<p>Chute clogged. Release bail handle to turn mower off. Remove safety key and battery pack(s). Clear chute of grass clippings.</p> <p>Raise cutting height of wheels to shorten length of the cut.</p> <p>Bag full. Empty bag more often.</p>



AVERTISSEMENT : lisez tous les avertissements de sécurité et toutes les instructions. Ne pas suivre les avertissements et les instructions peut entraîner un choc électrique, un incendie et/ou des blessures graves.



AVERTISSEMENT : pour réduire le risque de blessure, lisez le guide d'utilisation.

Utilisation prévue

Cette tondeuse a été conçue pour des applications de tonte de gazon professionnelles.

NE PAS utiliser en conditions mouillées ou en présence de liquides ou de gaz inflammables.

Cette tondeuse à gazon est un appareil professionnel d'entretien du gazon.

NE PAS laisser les enfants entrer en contact avec l'outil. Une supervision est requise lorsque des utilisateurs inexpérimentés utilisent cet outil.

Définitions: symboles et mentions d'alerte de sécurité

Cette notice d'utilisation utilise les symboles et les mentions d'alerte de sécurité suivants afin de vous alerter sur les situations dangereuses et les risques de blessures ou de dégâts matériels.



DANGER : indique une situation de risque imminent qui engendre, si elle n'est pas évitée, la mort ou de graves blessures.



AVERTISSEMENT : indique une situation de risque potentiel qui pourrait engendrer, si elle n'est pas évitée, la mort ou de graves blessures.



ATTENTION : indique une situation de risque potentiel qui peut engendrer, si elle n'est pas évitée, des blessures bénignes ou modérées.



(Utilisé sans mention) Indique un message lié à la sécurité.

REMARQUE : indique une pratique n'entraînant aucun risque de blessures mais qui, si elle n'est pas évitée, peut entraîner des dommages matériels.

AVERTISSEMENTS GÉNÉRAUX SUR LA SÉCURITÉ DES OUTILS



AVERTISSEMENT : lisez tous les avertissements de sécurité, toutes les instructions, les illustrations et les caractéristiques fournis avec cet outil électrique. Ne pas suivre toutes les instructions comprises aux présentes peut conduire à un choc électrique, un incendie et/ou des blessures graves.

CONSERVER TOUS LES AVERTISSEMENTS ET TOUTES LES DIRECTIVES POUR UN USAGE ULTÉRIEUR.

Le terme « outil électrique » cité dans les avertissements se rapporte à votre outil électrique à alimentation sur secteur (avec fil) ou par piles (sans fil).

1) Sécurité du lieu de travail

- Tenir l'aire de travail propre et bien éclairée.** Les lieux encombrés ou sombres sont propices aux accidents.
- Ne pas faire fonctionner d'outils électriques dans un milieu déflamant, tel qu'en présence de liquides, de gaz ou de poussières inflammables.** Les outils électriques produisent des étincelles qui pourraient enflammer la poussière ou les vapeurs.
- Éloigner les enfants et les personnes à proximité pendant l'utilisation d'un outil électrique.** Une distraction pourrait en faire perdre la maîtrise à l'utilisateur.

2) Sécurité en matière d'électricité

- Les fiches des outils électriques doivent correspondre à la prise. Ne jamais modifier la fiche d'aucune façon. Ne jamais utiliser de fiche d'adaptation avec un outil électrique mis à la terre.** Le risque de choc électrique sera réduit par l'utilisation de fiches non modifiées correspondant à la prise.
- Éviter tout contact physique avec des surfaces mises à la terre comme des tuyaux, des radiateurs, des cuisinières et des réfrigérateurs.** Le risque de choc électrique est plus élevé si votre corps est mis à la terre.
- Ne pas exposer les outils électriques à la pluie ou à l'humidité.** La pénétration de l'eau dans un outil électrique augmente le risque de choc électrique.
- Ne pas utiliser le cordon de façon abusive. Ne jamais utiliser le cordon pour transporter, tirer ou débrancher un outil électrique. Tenir le cordon éloigné de la chaleur, de l'huile, des bords tranchants et des pièces mobiles.** Les cordons endommagés ou enchevêtrés augmentent les risques de choc électrique.
- Pour l'utilisation d'un outil électrique à l'extérieur, se servir d'une rallonge convenant à cette application.** L'utilisation d'une rallonge conçue pour l'extérieur réduira les risques de choc électrique.
- S'il est impossible d'éviter l'utilisation d'un outil électrique dans un endroit humide, brancher l'outil dans une prise ou sur un circuit d'alimentation dotés d'un disjoncteur de fuite à la terre (GFCI).** L'utilisation de ce type de disjoncteur réduit les risques de choc électrique.

3) Sécurité personnelle

- Être vigilant, surveiller le travail effectué et faire preuve de jugement lorsqu'un outil électrique est utilisé. Ne pas utiliser d'outil électrique en cas de fatigue ou sous l'influence de drogues, d'alcool ou de médicaments.** Un simple moment d'inattention en utilisant un outil électrique peut entraîner des blessures corporelles graves.
- Utiliser des équipements de protection individuelle. Toujours porter une protection oculaire.** L'utilisation d'équipements de protection comme un masque antipoussière, des chaussures

antidérapantes, un casque de sécurité ou des protecteurs auditifs lorsque la situation le requiert réduira les risques de blessures corporelles.

- c) **Empêcher les démarrages intempestifs. S'assurer que l'interrupteur se trouve à la position d'arrêt avant de relier l'outil à une source d'alimentation et/ou d'insérer un bloc-piles, de ramasser ou de transporter l'outil.** Transporter un outil électrique alors que le doigt repose sur l'interrupteur ou brancher un outil électrique dont l'interrupteur est à la position de marche risque de provoquer un accident.
- d) **Retirer toute clé de réglage ou clé avant de démarrer l'outil.** Une clé ou une clé de réglage attachée à une partie pivotante de l'outil électrique peut provoquer des blessures corporelles.
- e) **Ne pas trop tendre les bras. Conserver son équilibre en tout temps.** Cela permet de mieux maîtriser l'outil électrique dans les situations imprévues.
- f) **S'habiller de manière appropriée. Ne pas porter de vêtements amples ni de bijoux. Garder les cheveux, les vêtements et les gants à l'écart des pièces mobiles.** Les vêtements amples, les bijoux ou les cheveux longs risquent de rester coincés dans les pièces mobiles.
- g) **Si des composants sont fournis pour le raccordement de dispositifs de dépoussiérage et de ramassage, s'assurer que ceux-ci sont bien raccordés et utilisés.** L'utilisation d'un dispositif de dépoussiérage peut réduire les dangers engendrés par les poussières.
- h) **Ne pas laisser votre connaissance acquise suite l'utilisation fréquente des outils vous permettre de baisser la garde et ignorer les principes de sécurité de l'outil.** Un acte irréfléchi peut causer une blessure grave en une fraction de seconde.

4) Utilisation et entretien d'un outil électrique

- a) **Ne pas forcer un outil électrique. Utiliser l'outil électrique approprié à l'application.** L'outil électrique approprié effectuera un meilleur travail, de façon plus sûre et à la vitesse pour laquelle il a été conçu.
- b) **Ne pas utiliser un outil électrique dont l'interrupteur est défectueux.** Tout outil électrique dont l'interrupteur est défectueux est dangereux et doit être réparé.
- c) **Débranchez la fiche de la prise électrique et, si amovible, retirez le bloc-piles de l'outil avant d'effectuer tout ajustement, changement et entreposage de celui-ci.** Ces mesures préventives réduisent les risques de démarrage accidentel de l'outil électrique.
- d) **Ranger les outils électriques hors de la portée des enfants et ne permettre à aucune personne n'étant pas familière avec un outil électrique ou son mode d'emploi d'utiliser cet outil.** Les outils électriques deviennent dangereux entre les mains d'utilisateurs inexpérimentés.

- e) **Gardez les poignées et surfaces d'emprise propres et libres de tout produit lubrifiant. Vérifier si les pièces mobiles sont mal alignées ou coincées, si des pièces sont brisées ou présentent toute autre condition susceptible de nuire au bon fonctionnement de l'outil électrique. En cas de dommage, faire réparer l'outil électrique avant toute nouvelle utilisation.** Beaucoup d'accidents sont causés par des outils électriques mal entretenus.
- f) **S'assurer que les outils de coupe sont aiguisés et propres.** Les outils de coupe bien entretenus et affûtés sont moins susceptibles de se coincer et sont plus faciles à maîtriser.
- g) **Utiliser l'outil électrique, les accessoires, les forets, etc. conformément aux présentes directives en tenant compte des conditions de travail et du travail à effectuer.** L'utilisation d'un outil électrique pour toute opération autre que celle pour laquelle il a été conçu est dangereuse.
- h) **Garder vos mains et les surfaces de prise sèches, propres et libres de graisse et de poussière.** Les mains et les surfaces de prise glissante ne permettent pas la manutention et le contrôle sécuritaires de l'outil dans les situations imprévues.

5) Utilisation et entretien du bloc-piles

- a) **Ne recharger l'outil qu'au moyen du chargeur précisé par le fabricant.** L'utilisation d'un chargeur qui convient à un type de bloc-piles risque de provoquer un incendie s'il est utilisé avec un autre type de bloc-piles.
- b) **Utiliser les outils électriques uniquement avec les bloc-piles conçus à cet effet.** L'utilisation de tout autre bloc-piles risque de causer des blessures ou un incendie.
- c) **Lorsque le bloc-piles n'est pas utilisé, le tenir éloigné des objets métalliques, notamment des trombones, de la monnaie, des clés, des clous, des vis ou autres petits objets métalliques qui peuvent établir une connexion entre les deux bornes.** Le court-circuit des bornes du bloc-piles risque de provoquer des brûlures ou un incendie.
- d) **En cas d'utilisation abusive, le liquide peut gicler hors du bloc-piles; éviter tout contact avec ce liquide. Si un contact accidentel se produit, laver à grande eau. Si le liquide entre en contact avec les yeux, obtenir également des soins médicaux.** Le liquide qui gicle hors du bloc-piles peut provoquer des irritations ou des brûlures.
- e) **Ne pas utiliser de bloc-piles ou outil qui a été endommagé ou modifié.** Les unités endommagées ou modifiées peuvent avoir une réaction imprévisible résultant en un incendie, une explosion ou un potentiel de blessure.
- f) **Ne pas exposer de bloc-piles ou l'outil aux flammes ou à des températures excessives.** L'exposition aux flammes ou à une température au-dessus de 130 °C (265 °F) pourrait causer une explosion.

- g) **Suivre toutes les instructions de recharge et ne rechargez pas le bloc-piles ou l'outil à des températures hors de la plage de température indiquée dans les instructions.** Une recharge non conforme ou à une température hors des limites spécifiées peut endommager les piles et augmenter le risque d'incendie.


6) Réparation

- a) **Faire réparer l'outil électrique par un réparateur professionnel en n'utilisant que des pièces de rechange identiques.** Cela permettra de maintenir une utilisation sécuritaire de l'outil électriques.
- b) **Ne jamais réparer des blocs-piles endommagés.** La réparation de blocs-piles doit seulement être effectuée par le fabricant ou les fournisseurs de service autorisé.

CONSIGNES DE SÉCURITÉ ET INSTRUCTIONS IMPORTANTES

 **AVERTISSEMENT :** afin de réduire le risque de blessure :

- Avant toute utilisation, assurez-vous que toutes les personnes qui utiliseront cet outil lisent et comprennent toutes les consignes de sécurité et les autres informations contenues dans le présent manuel.
- Conservez ces instructions et consultez-les avant l'utilisation et lors de la formation d'autres personnes.

 **AVERTISSEMENT :** lors de l'utilisation de tondeuses à gazon alimentées par piles, les mesures de précaution de base devraient toujours être prises pour réduire le risque d'incendie, de choc électrique et de blessures, incluant ce qui suit :

LISEZ TOUTES LES INSTRUCTIONS

INSTRUCTIONS ET AVERTISSEMENTS DE SÉCURITÉ GÉNÉRAUX POUR TOUTES LES TONDEUSES À GAZON

 **DANGER :**

- **Cet outil peut être dangereux.** Suivez tous les avertissements et toutes les instructions de sécurité dans ce manuel. L'utilisateur est responsable de suivre les avertissements et instructions de ce manuel et sur l'appareil. Limitez l'utilisation de cette tondeuse aux personnes qui lisent, comprennent et suivent les avertissements et les instructions de ce manuel et sur l'appareil.
- **Évitez les environnements dangereux.** Ne pas utiliser des tondeuses dans des endroits humides ou mouillés.
- **Ne pas utiliser sous la pluie.**
- **Gardez les enfants éloignés.** Tous les visiteurs devraient être gardés à une distance sécuritaire de l'aire de travail.
- **Portez des vêtements appropriés.** Ne pas porter des vêtements amples ou des bijoux. Ils peuvent se coincer dans

les pièces mobiles. L'utilisation de gants en caoutchouc et de chaussures est recommandée lors du travail extérieur.

- **Utilisez des lunettes de sécurité.** Utilisez un masque facial ou antipoussières s'il y a de la poussière durant l'utilisation.
- **Utilisez le bon outil.** Ne pas utiliser la tondeuse à gazon pour toute tâche autre que celles pour lesquelles elle est conçue.
- **Faire un contrôle pour détecter toute pièce endommagée.** Avant toute utilisation ultérieure de la tondeuse, un protecteur ou une autre pièce qui est endommagé doit être soigneusement vérifié afin de déterminer s'il fonctionnera correctement et s'il effectuera la fonction prévue. Vérifiez l'alignement des pièces qui se déplacent, les fixations des pièces qui se déplacent, le bris des pièces, le montage et tout autre état qui peut affecter leur utilisation. Un protecteur ou une autre pièce qui est endommagé doit être convenablement réparé ou remplacé par un centre de services autorisé sauf indication contraire dans ce manuel.
- **Réparations et service.** Les réparations, l'entretien et les ajustements non énumérés dans ce guide doivent être effectués dans des centres de services autorisés ou des entreprises de service qualifiées, toujours en utilisant des pièces de remplacement identiques.
- **Ne pas forcer la tondeuse.** Elle travaillera mieux et sera plus sécuritaire à la vitesse pour laquelle elle a été conçue.
- **Ne pas s'étirer.** Maintenez vos pieds bien d'aplomb sur le sol et un bon équilibre en tout temps.
- **Demeurez vigilant.** Regardez ce que vous faites. Faites preuve de bon sens. Ne pas utiliser la tondeuse lorsque vous êtes fatigué.
- **Débrancher la tondeuse à gazon –** Retirez la clé de sûreté et les blocs-piles de la tondeuse lorsqu'elle n'est pas utilisée, avant l'entretien, pour changer des accessoires comme les lames et autres.
- **Entreposez la tondeuse à gazon arrêtée à l'intérieur –** Lorsqu'elle n'est pas utilisée, la tondeuse à gazon doit être entreposée à l'intérieur dans un endroit sec et verrouillé hors de portée des enfants. Retirez la clé de sûreté et le bloc-piles.
- **Entretenez soigneusement la tondeuse à gazon.** Gardez bords coupants aiguisés et propre pour la meilleure performance et la plus sécuritaire. Pour lubrifier l'outil et remplacer les accessoires, suivez les directives du manuel. Gardez vos mains sèches, propres et exemptes de graisse et de poussière.
- **Maintenez les protecteurs en place en bon état de fonctionnement.**
- **Gardez les lames aiguisées.**
- **Gardez vos mains et vos pieds à distance de la zone de coupe.**
- **Les objets frappés par la lame de la tondeuse à gazon peuvent causer des blessures graves à des personnes.** Le gazon doit toujours être soigneusement examiné et libre de tout objet avant chaque tonte.

- **Si la tondeuse à gazon frappe un objet étranger, suivez ces étapes :**
 1. Arrêtez la tondeuse à gazon. Relâchez l'anse.
 2. Retirez les blocs-piles et la clé de sûreté.
 3. Inspectez pour tout dommage.
 4. Réparez tout dommage avant de redémarrer et d'utiliser la tondeuse à gazon.
- **Utilisez seulement des lames de remplacement identiques.**

CONSERVEZ CES INSTRUCTIONS

IMPORTANT

Pratiques sécuritaires pour les tondeuses à pousser

Cette machine peut amputer les mains et les pieds et projeter des objets. Ne pas respecter les instructions de sécurité suivantes pourrait entraîner une blessure grave ou la mort.

Renseignements généraux

1. Lisez, comprenez et suivez les instructions et les avertissements dans ce guide et sur la machine, le moteur et les accessoires.
2. Permettez seulement aux utilisateurs, qui sont responsables, formés, qui connaissent bien les instructions et ayant les capacités physiques nécessaires d'utiliser la machine.
3. Ne pas utiliser la machine lorsque vous êtes sous l'influence de l'alcool ou de la drogue.

Préparation avant l'utilisation

1. Retirez tout objet de la zone d'utilisation qui pourrait être projeté ou nuire à l'utilisation de la machine.
2. Gardez tous les passants à l'écart de la zone d'utilisation, particulièrement les jeunes enfants et les animaux de compagnie. Arrêtez la machine et les accessoires si quelqu'un entre dans la zone.
3. Ne pas faire fonctionner la machine sans tout le sac à herbe, la goulotte d'éjection ou autres dispositifs de sécurité en place et fonctionnant correctement. Vérifiez régulièrement les signes d'usure ou de détérioration et remplacer s'il y a lieu.
4. Portez un équipement de protection individuel approprié comme des lunettes de sécurité, une protection auditive, une protection respiratoire et des chaussures.

Utilisation

1. Utilisez seulement la machine en plein jour ou avec une bonne lumière artificielle.
2. Évitez les trous, les ornières, les bosses, les roches ou d'autres dangers cachés. Un terrain inégal peut faire renverser la machine ou faire perdre l'équilibre ou son aplomb à l'utilisateur. L'herbe haute peut cacher des obstacles. Restez derrière la poignée.
3. Ne pas mettre les mains ou les pieds près des pièces en rotation ou sous la machine. Tenez-vous éloigné de l'ouverture d'éjection en tout temps.
4. Ne pas diriger la matière rejetée vers quiconque. Évitez de rejeter la matière contre un mur ou une obstruction. La

matière peut ricocher vers l'utilisateur. Arrêtez les lames lorsque vous traversez des surfaces en gravier.

5. Ne pas tirer la tondeuse vers l'arrière à moins que ce ne soit absolument nécessaire. Regardez toujours vers le bas et derrière avant de déplacer vers l'arrière.
6. Relâchez l'anse pour arrêter le moteur et attendez jusqu'à ce que la lame s'arrête complètement et retirez la clé de sûreté et les blocs-piles avant de nettoyer la tondeuse, de retirer le sac de collecte de l'herbe, de désobstruer la protection d'éjection, lorsque vous laissez la tondeuse, que vous l'entreposez, la transportez ou avant d'effectuer tout ajustement, toute réparation ou toute inspection.
7. Si la tondeuse devait démarrer en vibrant de façon anormale, relâchez l'anse, attendez que la lame s'arrête et retirez la clé de sûreté et les blocs-piles, puis vérifiez immédiatement la cause. La vibration est généralement un avertissement de problème.

Concernant les enfants

1. Des accidents tragiques peuvent se produire si l'utilisateur ne fait pas attention à la présence des enfants. Les enfants sont souvent attirés par la machine et l'activité de tonte. Ne jamais présumer que les enfants demeureront à l'endroit où vous les avez vus la dernière fois.
2. Gardez les enfants hors de la zone d'utilisation et sous la vigilance d'un adulte responsable autre que l'utilisateur.
3. Soyez attentif et éteignez la tondeuse si un enfant entre dans la zone.

Concernant les pentes

1. Les pentes sont un facteur important lié aux accidents. L'utilisation sur les pentes nécessite une prudence accrue. Ne tondez que des pentes égales ou inférieures à 15° en utilisant le clinomètre présenté à la Fig. GG. Ne tondez pas en pente si cette opération est inconfortable.
2. Tondez en vous déplaçant en travers des pentes; jamais vers le haut ou vers le bas. Soyez prudent lorsque vous utilisez la tondeuse près de déclins, fossés ou remblais.
3. Évitez de tondre le gazon mouillé. (Si vos pieds ne sont pas d'aplomb, une glissade et une chute accidentelle sont possibles.)
4. Ne pas utiliser la machine dans le cas où la traction, la direction ou la stabilité remise en question. La tondeuse pourrait glisser même si les roues sont arrêtées.
5. Évitez les démarrages ou les arrêts sur les pentes. Évitez de changer soudainement de vitesse ou de direction. Tournez lentement et graduellement.
6. Soyez très prudent lorsque vous utilisez la machine avec un sac à herbe ou un (des) autre(s) accessoire(s). Ils peuvent affecter la stabilité de la machine.

Réparer

1. Gardez la machine en bon état de fonctionnement. Remplacez les pièces usées ou endommagées.
2. Soyez prudent lorsque vous entretenez les lames. Enveloppez la (les) lame(s) ou portez des gants. Remplacez les lames endommagées. Ne pas réparer ou altérer la (les) lame(s). Maintenez tous les écrous et boulons serrés.

3. Gardez la tondeuse libre d'herbe, feuilles ou autre accumulation de débris.
4. Entretenez ou remplacez les étiquettes d'instructions et de sécurité selon les besoins.

Les éléments suivants sont des explications des symboles de danger et sécurité importants sur la tondeuse.



L'utilisateur doit lire et comprendre le manuel d'instructions.



Portez toujours une protection oculaire adéquate.



Attention aux lames, elles sont tranchantes.



Pour éviter le risque de blessures graves, ne tondez pas de pentes de plus de 15 %/25%.



Ne tondez pas en descendant les pentes.



Ne tondez pas en montant les pentes.



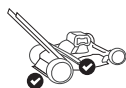
Tondez en travers de la face des pentes inférieures à 15 %/25%.



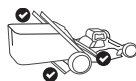
Regardez toujours vers le bas et derrière avant de vous déplacer vers l'arrière.



Ne faites pas fonctionner la machine sans le volet arrière ou la goulotte d'éjection arrière en place.



Utilisez la machine avec le volet arrière et la goulotte d'éjection latérale arrière en place.



Utilisez la machine avec le volet arrière et le sac de ramassage de l'herbe en place.



Les lames en rotation peuvent causer de graves blessures. Gardez les mains et les pieds loin du châssis de la tondeuse et de l'ouverture d'éjection en tout temps. Assurez-vous toujours que la lame est arrêtée. Relâchez l'anse pour éteindre la tondeuse et attendez que la lame cesse de tourner (environ 3 secondes) et retirez la clé de sécurité et les blocs-piles avant de retirer ou de remettre en place le bac de collecte de l'herbe, de nettoyer, d'entretenir, de transporter ou de soulever la tondeuse.



Les objets frappés par la lame de la tondeuse peuvent causer une blessure grave. Restez derrière la poignée lorsque le moteur fonctionne. Assurez-vous toujours que les personnes et les animaux se trouvent à une distance sécuritaire de la tondeuse lorsqu'elle est en marche. Relâchez l'anse pour éteindre la tondeuse et attendez que la lame cesse de tourner (environ 3 secondes) avant de traverser le trottoir, les routes, le patio et les entrées en gravier.



Inspectez toujours la zone de tonte avant de tondre et retirez les objets qui pourraient être projetés par la lame.



Tenez les enfants et les passants éloignés lorsque vous utilisez une tondeuse.



Renseignements de sécurité supplémentaires



AVERTISSEMENT : ne modifiez jamais l'outil électrique ou toute pièce de celui-ci. Cela pourrait entraîner des dommages matériels ou des blessures corporelles.



AVERTISSEMENT : portez **TOUJOURS** des lunettes de sécurité. Les lunettes ordinaires NE SONT PAS des lunettes de sécurité. Utilisez également un masque facial ou anti-poussière si l'opération de coupe est poussiéreuse. Portez une protection auditive si l'opération de tonte est bruyante. **PORTEZ TOUJOURS UN ÉQUIPEMENT DE SÉCURITÉ CERTIFIÉ** :

- Protection oculaire ANSI Z87.1 (CAN/CSA Z94.3),
- Protection auditive ANSI S12.6 (S3.19),
- Protection respiratoire NIOSH/OSHA/MSHA.





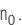
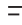










AVERTISSEMENT : certaines poussières créées par ce produit contiennent des produits chimiques reconnus

dans l'État de la Californie pour causer le cancer, des anomalies congénitales ou autres effets nuisibles sur la reproduction. Certains exemples de ces produits chimiques sont :

- des composants de fertilisants;
- des composants d'insecticides, d'herbicides et de pesticides;
- de l'arsenic et du chrome provenant du bois de construction traité chimiquement.

Pour réduire votre exposition à ces produits chimiques, portez un équipement de sécurité approuvé, comme un masque cache-poussière spécialement conçu pour filtrer les particules microscopiques.

L'étiquette sur votre outil peut inclure les symboles suivants. Voici ces symboles et leur signification :


V	volts		ou CA/CC ... courant alternatif ou continu
Hz	hertz		Fabrication de classe II (double isolation)
min	minutes		n ₀ vitesse à vide
 ou CC	courant continu	n	vitesse nominale
	Fabrication de classe I (relié à la terre)	PSI	livres par pouce carré
.../min.....	par minute		borne de terre
BPM.....	batttements par minute		symbole d'alerte de sécurité
IPM.....	impacts par minute		rayonnement visible – ne regardez pas la lumière
OPM.....	oscillations par minute		portez une protection respiratoire
TR/MIN.....	tours par minute		portez une protection oculaire
sfpm	pieds surface par minute		portez des protections auditives
SPM.....	coups par minute		lisez toute la documentation
A	ampères		ne pas exposer à la pluie
W	watts		
Wh.....	watts/heure		
Ah.....	ampères/heure		
 ou CA.....	courant alternatif		

Piles et chargeurs

Le bloc-piles n'est pas entièrement chargé lorsqu'il sort de la boîte. Avant d'utiliser le bloc-piles et le chargeur, lisez attentivement les instructions de sécurité suivantes, puis suivez les procédures de chargement énoncées. Lorsque vous commandez des blocs-piles de remplacement, assurez-vous d'inclure le numéro du catalogue et la tension.

LISEZ TOUTES LES INSTRUCTIONS

CONSIGNES DE SÉCURITÉ IMPORTANTES POUR LES BLOCS-PILES

 **AVERTISSEMENT :** lisez toutes les consignes de sécurité, les instructions et les symboles d'avertissements du bloc-piles, du chargeur et du produit. Ne pas suivre les avertissements et les

instructions peut entraîner un choc électrique, un incendie et/ou des blessures graves.

- **Ne pas charger ou utiliser le bloc-piles en atmosphères explosibles comme la présence de liquides inflammables, de gaz ou de poussière.** Insérer ou retirer la pile du bloc-piles peut enflammer la poussière ou les vapeurs.
- **NE JAMAIS forcer le bloc-piles dans le chargeur. NE PAS modifier le bloc-piles de quelque façon que ce soit dans un chargeur non compatible puisque le bloc-piles peut se briser causant une blessure corporelle.** Consultez le tableau à la fin de ce guide pour la compatibilité des blocs-piles et des chargeurs.
- **Chargez les blocs-piles seulement dans CRAFTSMAN.**
- **NE PAS** élabousser ou immerger dans l'eau ou tout autre liquide.
- **NE PAS** laisser l'eau ou tout liquide entre dans le bloc-piles.
- **Ne pas entreposer ou utiliser l'outil et le bloc-piles dans des endroits où la température peut atteindre ou excéder 40 °C (104 °F) (comme les remises extérieures ou les édifices en métal durant l'été).** Pour une meilleure durée de vie, entreposez le bloc-piles dans un endroit frais et sec.
- **REMARQUE :** ne pas ranger les blocs-piles dans un outil avec la gâchette verrouillée. Ne jamais coller la gâchette avec du ruban adhésif en position Marche.
- **Ne pas brûler le bloc-piles même s'il est gravement endommagé ou est entièrement utilisé.** Le bloc-piles peut exploser au cours d'un incendie. Des vapeurs et des matières toxiques sont produites lorsque les blocs-piles au lithium-ion sont brûlés.
- **Ne pas exposer de bloc-piles ou l'outil aux flammes ou à des températures excessives.** L'exposition aux flammes ou à une température au-dessus de 130 °C (265 °F) pourrait causer une explosion.
- **Suivez les instructions de recharge et ne chargez pas le bloc-piles ou l'appareil en hors de la plage de températures indiquée dans les instructions.** Charger de façon inappropriée ou hors de températures de la plage indiquée peut endommager la pile et augmenter le risque d'incendie.
- **Si le liquide des piles entre en contact avec la peau, lavez immédiatement avec de l'eau et du savon doux.** Si le liquide vient en contact avec les yeux, rincez à l'eau courante durant 15 minutes, ou jusqu'à ce que l'irritation cesse, en gardant les yeux ouverts. Pour information de consultation médicale, l'électrolyte des piles est composé d'un mélange organique liquide et de sels de lithium.
- **Le contenu des piles peut causer une irritation respiratoire.** Faites circuler de l'air frais. Si les symptômes persistent, consultez un médecin.
- **Le liquide des piles peut être inflammable s'il est exposé aux étincelles ou aux flammes.**
- **Ne jamais tenter d'ouvrir le bloc-piles pour quelque raison que ce soit. Si le boîtier du bloc-piles est fendu ou endommagé, ne pas l'insérer dans le chargeur.** Ne pas écraser, échapper ou endommager le bloc-piles. Ne pas se servir d'un bloc-piles ou chargeur qui a subi un impact,

à été échappé, renversé par un véhicule ou endommagé d'une façon ou d'une autre (par ex. perforé par un clou, frappé par un marteau, sur lequel on a marché). Les blocs-piles endommagés devraient être amenés/expédiés au centre de service pour recyclage.

Recommandations d'entreposage

Le meilleur lieu pour l'entreposage est un endroit frais et sec loin de la lumière directe du soleil et de la chaleur ou du froid excessif. Entrezposez le bloc-piles entièrement chargé hors du chargeur.

Instructions de nettoyage du bloc-piles

La saleté et la graisse peuvent être retirées des surfaces extérieures du bloc-piles à l'aide d'un linge ou d'une brosse souple non métallique. Ne pas utiliser d'eau ou de solution nettoyante.

Blocs-piles du niveau de la jauge de carburant (Fig. B)

Certains CRAFTSMAN blocs-piles incluent une jauge de carburant. Lorsque vous appuyez et maintenez, les voyants DEL indiqueront le niveau approximatif de charge restante. Cela n'indique pas la fonctionnalité de l'outil et peut varier selon les accessoires utilisés, la température et l'utilisation de l'utilisateur final.

Transport

AVERTISSEMENT : danger d'incendie. Ne pas entreposer ou transporter le bloc-piles de manière à ce que des objets métalliques puissent entrer en contact avec les bornes des piles exposées. Par exemple, ne pas placer le bloc-piles dans des tabliers, des poches, des coffres à outils, des boîtes d'ensembles de produits, des tiroirs, etc. avec des clous, des vis, des clés, les pièces de monnaie, les outils à main, etc. Lorsque vous transportez des blocs-piles individuels, assurez-vous que leurs bornes sont protégées et bien isolées de tout matériel avec lequel elles pourraient entrer en contact et causer un court-circuit.

REMARQUE : les blocs-piles Li-Ion ne doivent pas être mises dans des bagages enregistrés sur les avions et doivent être bien protégées contre les courts-circuits si elles sont dans des bagages à main.

Le sceau RBRC®

Veillez apporter vos blocs-piles usagés à un centre de service agréé CRAFTSMAN ou à votre détaillant local pour le recyclage. Dans certaines régions, il est illégal de mettre les blocs-piles usagés à la poubelle. Vous pouvez aussi contacter votre centre de recyclage local pour des informations sur les endroits où déposer le bloc-piles usagé. Ne pas mettre dans la collecte sélective. Pour de plus amples renseignements, visitez www.call2recycle.org ou appelez au numéro sans frais dans le sceau RBRC®. RBRC® est une marque de commerce déposée de Call 2 Recycle, Inc.



Consignes de sécurité importantes pour tous les chargeurs de piles

AVERTISSEMENT : lisez toutes les consignes de sécurité, les instructions et les symboles d'avertissements du bloc-piles, du chargeur et du produit. Ne pas suivre les avertissements et les instructions peut entraîner un choc électrique, un incendie et/ou des blessures graves.

- **NE PAS tenter de charger le bloc-piles avec un chargeur autre qu'un CRAFTSMAN.** CRAFTSMAN chargeurs et les blocs-piles sont spécifiquement conçus pour fonctionner ensemble.
- **Ces chargeurs ne sont pas conçus pour toute utilisation autre que le chargement CRAFTSMAN.** Les autres types de chargement de blocs-piles peuvent causer la surchauffe et l'éclatement de ceux-ci, entraînant une blessure corporelle, des dommages matériels, un choc électrique ou une électrocution.
- **Ne pas exposer le chargeur à la pluie ou la neige.**
- **Ne pas laisser l'eau ou tout liquide entrer dans le bloc-piles.**
- **Tirez la fiche au lieu du cordon lorsque vous débranchez le chargeur.** Cela réduira le risque d'endommager la fiche et le cordon électriques.
- **Assurez-vous de ne pas placer le cordon là où il pourrait faire trébucher les passants ou être endommagé de quelque façon que ce soit.**
- **Ne pas utiliser une rallonge à moins que ce ne soit absolument nécessaire.** L'utilisation d'une rallonge inadéquate pourrait entraîner un risque d'incendie un choc électrique ou une électrocution.
- **Lors de l'utilisation d'un chargeur à l'extérieur, gardez-le toujours au sec et utilisez une rallonge appropriée pour l'extérieur.** L'utilisation d'une rallonge appropriée pour l'extérieur réduit le risque de choc électrique.
- **Une rallonge doit avoir un calibre de fil (AWG ou calibre américain normalisé des fils) approprié pour la sécurité.** Plus le numéro de calibre du fil est petit, plus le cordon est lourd et par conséquent plus sa capacité est grande. Un cordon de taille inférieure entraînera une chute de tension de secteur ce qui causera une perte de puissance et une surchauffe. Le tableau suivant affiche la bonne taille à utiliser selon longueur totale des de toutes les rallonges branchées ensemble et l'intensité nominale de la plaque signalétique. En cas de doute, utilisez le calibre le plus lourd suivant.

Calibre minimum pour rallonges électriques

Volts		Longueur totale de la rallonge en pieds (mètres)			
120V		25 (7,6)	50 (15,2)	100 (30,5)	150 (45,7)
Courant nominal		AWG (American Wire Gauge)			
Plus de	Pas plus de				
0	6	18	16	16	14
6	10	18	16	14	12
10	12	16	16	14	12
12	16	14	12	Non recommandé	

- **Ne pas placer tout objet sur le dessus du chargeur ou placer le chargeur sur une surface molle qui pourrait bloquer les fentes de ventilation et entraîner une chaleur interne excessive.** Placez le chargeur loin de toute source de chaleur. Le chargeur est ventilé grâce aux fentes du dessus et du bas du boîtier.
- **Ne pas utiliser le chargeur avec un cordon ou une fiche endommagé.** Faites-les remplacer immédiatement.
- **Ne pas utiliser le chargeur s'il a reçu un choc violent, s'il a été échappé ou est autrement endommagé de quelque façon que ce soit.** Apportez-le dans un centre de services autorisé.
- **Ne pas démonter le chargeur; apportez-le dans un centre de services autorisé lorsqu'un entretien ou une réparation est nécessaire.** Un mauvais réassemblage peut entraîner un danger de choc électrique, une électrocution ou un incendie.
- **Le chargeur est conçu pour fonctionner sur une alimentation électrique domestique 120 V. Ne pas essayer de l'utiliser sur toute autre tension.** Cela ne s'applique pas au chargeur véhiculaire.
- **Les matières étrangères conductrices telles, mais sans s'y limiter, les poussières de meulage, les copeaux métalliques, la laine d'acier, le papier d'aluminium ou toute accumulation de particules métalliques devraient être éloignées des ouvertures du chargeur et des fentes de ventilation.**
- **Débranchez toujours le chargeur de l'alimentation lorsqu'il n'y a aucun bloc-piles à l'intérieur.**

Charger une pile (Fig. C, D)

1. Branchez le chargeur dans une prise appropriée.
2. Insérez et appuyez complètement le bloc-piles. Le voyant de chargement vert clignotera constamment pendant le chargement.
3. Le chargement est terminé lorsque le voyant vert reste allumé en permanence. Le bloc-piles peut être laissé dans le chargeur ou retiré.
4. Le chargeur ne charge pas un bloc-piles défectueux, ce qui peut être indiqué par le voyant qui reste éteint. Apportez le chargeur et le bloc-piles dans un centre de services autorisé si le voyant reste éteint.
REMARQUE : consultez l'étiquette près du voyant de chargement sur le chargeur pour les modèles de clignotement.

Délai en cas de bloc chaud ou froid

Lorsque le chargeur détecte un bloc-piles qui est trop chaud ou trop froid, il démarre automatiquement le délai pour le bloc chaud/froid, suspendant la recharge jusqu'à ce que la température du bloc-piles ait atteint une température appropriée. Le chargeur passe alors automatiquement en mode de chargement du bloc-piles. Cette fonction assure une durée de vie maximale du bloc-piles.

Un bloc-piles froid peut se charger à une vitesse plus lente qu'un bloc-piles chaud.

Le délai du bloc chaud/froid sera indiqué par le voyant vert continuant à clignoter, mais avec le voyant rouge restant allumé. Une fois que le bloc-piles aura atteint la température

appropriée, le voyant rouge s'éteindra et le chargeur reprendra la procédure de chargement.

Système de protection électronique

Les outils Li-Ion sont conçus avec un système de protection électronique qui protège le bloc-piles contre une surcharge, une surchauffe et une importante décharge. L'outil s'éteindra automatiquement et le bloc-piles devra être rechargé.

Remarques importantes sur le chargement

1. La durée de vie la plus longue et les meilleures performances peuvent être obtenues si les batteries sont chargées **21** lorsque la température de l'air est comprise entre 18 °C–24 °C (65 °F et 75 °F). NE PAS charger lorsque la batterie est inférieure à +4,5 °C (+40 °F) ou supérieure à +40 °C (+104 °F). Ceci est important et évitera d'endommager gravement la batterie.
2. Le chargeur et le bloc-piles peuvent devenir chauds au toucher durant le chargement. C'est un état normal et cela n'indique pas un problème. Pour faciliter le refroidissement du bloc-piles après l'utilisation, évitez de placer le chargeur ou le bloc-piles dans un environnement chaud comme une remise en métal ou une remorque non isolée.
3. Si le bloc-piles ne charge pas de adéquatement :
 - a. Vérifiez le fonctionnement de la prise en branchant une lampe ou un autre appareil;
 - b. Vérifiez si la prise d'alimentation est connectée à un interrupteur de lumière qui s'éteint lorsque vous éteignez les lumières;
 - c. Si les problèmes de chargement persistent, apportez l'outil, le bloc-piles et le chargeur dans votre centre de services local.
4. Vous pouvez charger un bloc partiellement utilisé au moment désiré sans effet indésirable sur le bloc-piles.

Instructions de nettoyage du chargeur

⚠ AVERTISSEMENT : danger de choc électrique. Débranchez le chargeur de la prise CA avant de nettoyer. La saleté et la graisse peuvent être retirées des surfaces extérieures du chargeur à l'aide d'un linge ou d'une brosse souple non métallique. Ne pas utiliser d'eau ou de solution nettoyante.

Montage mural

Certains chargeurs CRAFTSMAN sont conçus pour pouvoir être installés au mur ou être placés verticalement sur une table ou une surface de travail. Pour la fixation au mur, placez le chargeur près d'une prise de courant et loin d'un coin ou d'autres obstructions qui peuvent nuire à la circulation de l'air. Utilisez la base du chargeur comme modèle pour l'emplacement des vis de montage sur le mur. Fixez solidement le chargeur à l'aide de vis pour cloison sèche (achetées séparément) d'au moins 25,4 mm (1 po) de longueur avec tête de diamètre de 7 mm à 9 mm (0,28 à 0,35 po) vissées dans du bois à une profondeur optimale en laissant exposée une partie de vis d'environ

5,5 mm (7/32 po). Alignez les fentes au dos du chargeur avec les vis exposées et insérez-les entièrement dans les fentes.

REMARQUE : ne pas tenter de monter le chargeur CMCB102 sous un banc ou une table.

REMARQUE : montez seulement le chargeur CMCB101 avec les voyants de chargement pointés vers le plafond.

VersaTrack™

⚠ **AVERTISSEMENT :** ne pas charger les piles pendant que le chargeur est suspendu au rail mural.

Les chargeurs CRAFTSMAN, sauf CMCB101, peuvent être rangés sur le rail mural VersaTrack™ de Craftsman. Les crochets et les accessoires sont vendus séparément. Veuillez consulter la feuille d'accessoires des fixations VersaTrack™ pour de plus amples renseignements.

REMARQUE : le chargeur CMCB101 n'est pas compatible avec le rail mural VersaTrack™ de CRAFTSMAN.

CONSERVEZ CES INSTRUCTIONS POUR UTILISATION ULTÉRIEURE

ASSEMBLAGE ET RÉGLAGES

⚠ **DANGER :** afin de réduire le risque des blessures corporelles graves, éteignez l'outil et retirez la clé de sécurité et le bloc-piles avant d'effectuer des réglages ou de retirer/installer des fixations ou des accessoires. Un démarrage accidentel peut causer des blessures.

Réglage de la poignée à simple pression (Fig. E, F)

Cette tondeuse est expédiée en position d'entreposage. Vous devrez ajuster la poignée à simple pression ① en position de fonctionnement avant de continuer.

Relevez la poignée à simple pression (Fig. E, F)

1. Pour déverrouiller la poignée à simple pression ① de la position de rangement, appuyez sur le bouton de déverrouillage de la poignée ③.
REMARQUE : le bouton de déverrouillage de la poignée ③ est situé à l'arrière du support de la poignée ②.
REMARQUE : la poignée principale ④ doit sortir légèrement des deux côtés des tubes de la poignée simple avant de relever la poignée à simple pression ① de sa position de rangement, comme indiqué dans la Fig. E.
2. Relevez la poignée à simple pression ① en position verrouillée. Écoutez le clic audible et assurez-vous que la poignée à simple pression ① est verrouillée en position avant de continuer.
3. Tirez la poignée principale ④ vers l'extérieur jusqu'à ce que vous entendiez une série de clics. La poignée à simple pression ① est maintenant en position de fonctionnement.
REMARQUE : Veillez à ne pas pincer, tirer ou endommager le cordon ②③.

Ajuster la hauteur de la poignée principale (Fig. G)

La poignée principale ④ s'allonge pour s'adapter aux utilisateurs de grande taille.

1. Pour déployer la poignée principale ④ en position basse, appuyez sur le bouton de déverrouillage de la poignée ⑤ et éloignez la poignée principale du support de poignée ② jusqu'à ce qu'un clic audible se fasse entendre, indiquant qu'elle est verrouillée en position basse.
REMARQUE : le bouton de déverrouillage de la poignée ⑤ est situé au bas du support de la poignée ②.
2. Pour déployer la poignée principale ④ en position haute, appuyez sur le bouton de déverrouillage de la poignée ⑤ et éloignez la poignée principale du support de poignée ② jusqu'à ce qu'un clic audible se fasse entendre, indiquant qu'elle est verrouillée en position haute.
3. Assurez-vous que la poignée principale ④ se verrouille en position avant de poursuivre.
4. Pour rétracter la poignée principale ④ en position basse, appuyez sur le bouton de déverrouillage de la poignée ⑤ et appuyez sur la poignée principale vers le support de poignée ② jusqu'à ce qu'un clic audible se fasse entendre, indiquant qu'elle est verrouillée en position basse.
5. Assurez-vous que la poignée principale ④ se verrouille en position avant de poursuivre.

Mode d'entreposage (Fig. H—M)

⚠ **DANGER :** ASSUREZ-VOUS QUE LA CLÉ DE SÉCURITÉ EST RETIRÉE AFIN D'ÉVITER L'ACTIVATION AVANT D'INSTALLER OU DE RETIRER LES PILES.

⚠ **DANGER :** arrêtez l'appareil, retirez la clé de sécurité et le bloc-piles.

1. Pour rétracter la poignée principale ④, appuyez sur le bouton de déverrouillage de la poignée ⑤ et poussez la poignée principale ④ vers le support de poignée ② jusqu'à ce que vous entendiez deux clics sonores, indiquant que les deux côtés des poignées sont verrouillés en position. La poignée principale ④ doit être complètement calée contre le support de la poignée.
REMARQUE : la poignée principale ④ doit s'engager complètement dans les fenêtres de la poignée ②④. Si elles ne sont pas engagées comme indiqué dans la Fig. H, appuyez sur la poignée principale ④ vers le support de poignée ② jusqu'à ce que deux clics audibles se fassent entendre et que les deux côtés des fenêtres de poignée ②④ soient fermés comme indiqué dans la Fig. I.
REMARQUE : assurez-vous que les deux loquets de rangement ②⑤ à l'arrière des tubes de la poignée à simple pression ① sortent vers l'extérieur comme indiqué dans Fig. K avant d'abaisser la poignée à simple pression ① en position de rangement.
2. Rabattez la poignée à simple pression ① vers les roues avant ②⑦ en position de rangement. Écoutez les deux clics audibles lorsque les deux loquets de rangement ②⑤

glissent dans les fentes de rangement **26** comme indiqué dans Fig. K.

- Assurez-vous que la poignée à simple pression **1** est verrouillée en position de rangement avant de poursuivre.
- La tondeuse peut être entreposée debout, avec le sac de collecte retiré, ou à plat sur ses roues comme indiqué dans Fig. M.

REMARQUE : veillez à ne pas pincer, tirer ou endommager le cordon **23**.

Sac de collecte du gazon (Fig. N)

! **DANGER :** arrêtez l'appareil, retirez la clé de sécurité et le bloc-piles.

- Soulevez le capot de la porte arrière **15**, retirez le bouchon de paillage **18** et placez le sac de collecte de l'herbe **16** sur la tondeuse de sorte que les pattes du sac **28** s'insèrent dans les fentes **29** sur les surfaces plastique intérieures des supports de poignée. Abaissez ensuite le capot de la porte arrière **15**.

REMARQUE : si elle est installée, retirez la goulotte d'éjection latérale arrière **19** et assurez-vous que le capot de la porte arrière **15** est complètement relevé avant d'installer le sac de ramassage de l'herbe **16**.

Déchiquetage (Fig. O)

! **DANGER :** arrêtez l'appareil, retirez la clé de sécurité et le bloc-piles.

- Pour utiliser la tondeuse en mode déchiquetage, retirez le sac de ramassage de l'herbe **16** ou la goulotte d'éjection latérale arrière **19**.
- Soulevez le capot de la porte arrière **15** et faites glisser le bouchon de déchiquetage **18** à fond dans la tondeuse.
- Assurez-vous que les broches **30** du bouchon de déchiquetage **18** s'engagent dans les fentes **31** de la tondeuse comme indiqué dans Fig. O.
- Vérifiez que le capot de la porte arrière **15** est fermé.

Éjection latérale (Fig. P)

! **DANGER :** arrêtez l'appareil, retirez la clé de sécurité et le bloc-piles.

- Pour utiliser la tondeuse en mode d'éjection latérale, retirez le sac de collecte du gazon **16**.
REMARQUE : s'il est installé, retirez le bouchon de déchiquetage **18**.
- Soulevez le capot de la porte arrière **15** et accrochez la goulotte d'éjection latérale arrière **19** sur la tondeuse et engagez la fente à gauche comme indiqué dans la Fig. P.
- Relâchez le capot de la porte arrière **15** et assurez-vous que la goulotte d'éjection latérale arrière **19** est bien en place avant d'utiliser la tondeuse.

Ajuster la hauteur de la tondeuse (Fig. Q)

La hauteur de coupe est ajustée par le levier de réglage de hauteur de coupe **14**.

REMARQUE : si vous ne savez pas à quelle hauteur couper, commencez la tonte avec le levier de réglage de la hauteur de coupe **14** réglé au plus haut et ajustez la hauteur vers le bas au besoin pour votre application.

Pour régler la hauteur de la coupe

- Sortez le levier de réglage de la hauteur de coupe **14** du cran de verrouillage **56**.
- Déplacez le levier de réglage de la hauteur de coupe **14** vers l'arrière de la tondeuse pour monter la hauteur de la coupe.
- Déplacez le levier de réglage de la hauteur de coupe **14** vers l'avant de la tondeuse pour descendre la hauteur de la coupe.
- Poussez le levier de réglage de la hauteur de coupe **14** dans le cran de verrouillage **56**.

Phares (Fig. A)

Les phares **20** sont toujours allumés lorsque la tondeuse est en marche.

FONCTIONNEMENT

! **DANGER :** afin de réduire le risque des blessures corporelles graves, éteignez l'outil et retirez la clé de sécurité et le bloc-piles avant d'effectuer des réglages ou de retirer/installer des fixations ou des accessoires. Un démarrage accidentel peut causer des blessures.

Position correcte des mains (Fig. R)

! **AVERTISSEMENT :** afin de réduire tout risque de graves blessures, veillez à **TOUJOURS** respecter la position des mains recommandée et illustrée.

! **AVERTISSEMENT :** afin de réduire tout risque de blessures graves, maintenez **TOUJOURS** l'outil fermement afin de pouvoir anticiper toute réaction soudaine.

La position correcte des mains exige que les deux mains saisissent ensemble la poignée principale **4** et l'anse **8** lorsque l'appareil n'est pas en mode d'autopropulsion, et que les deux mains saisissent ensemble la poignée principale, l'anse et le levier d'autopropulsion **9** lorsque l'appareil est en mode d'autopropulsion, comme indiqué dans la Fig. R.

LISEZ LE GUIDE D'UTILISATION AVANT D'UTILISER VOTRE TONDEUSE.

Consultez la Fig. A au début de ce guide pour une liste des composants. Conservez ce manuel pour référence ultérieure.

! **DANGER : lame tranchante en mouvement.** Ne pas utiliser la tondeuse en mode déchiquetage si la porte arrière n'est pas fermée sous la tension du ressort puisque cela pourrait entraîner une blessure grave. Apportez votre tondeuse au centre de services le plus près pour des réparations.

! **DANGER :** ne pas utiliser la tondeuse sans que la poignée soit verrouillée en place.

! **DANGER : lame tranchante en mouvement.** Ne jamais utiliser la tondeuse en mode sac à moins que les crochets de suspension sur le sac de collecte de l'herbe soient bien placés sur la tondeuse et que la porte d'éjection arrière demeure bien sur le dessus du sac à herbe, au risque d'entraîner une blessure grave.

! **DANGER : lame tranchante en mouvement.** N'utilisez pas la tondeuse en mode d'éjection latérale si la goulotte d'éjection latérale arrière n'est pas correctement installée et si le couvercle de la porte arrière n'est pas fermement appuyé contre elle.

⚠ **AVERTISSEMENT :** laissez la tondeuse fonctionner à son propre rythme. Ne pas surcharger.

Installer et retirer les blocs-piles (Fig. S, U)

⚠ **DANGER :** ASSUREZ-VOUS QUE LA CLÉ DE SÉCURITÉ EST RETIRÉE AFIN D'ÉVITER L'ACTIVATION AVANT D'INSTALLER OU DE RETIRER LES PILES.

La tondeuse s'éteint et le voyant de l'état de charge **12** clignote si le bloc-piles atteint la limite de température élevée, ce qui peut être causé par la coupe d'une herbe lourde. Si cela se produit, laissez refroidir le bloc-piles, puis reprenez la coupe avec le châssis de la tondeuse réglé plus haut.

REMARQUE : pour une meilleure performance, assurez-vous que chaque bloc-piles est entièrement chargé.

REMARQUE : les deux blocs de batterie sont requis pour le fonctionnement de la tondeuse.

Pour installer les blocs-piles

1. Levez et maintenez le capot du logement du bloc-piles **13** pour exposer le logement du bloc-piles **33**.
2. Glissez un bloc-piles **21** dans le logement du bloc-piles **33** jusqu'à ce que vous entendiez un clic (Fig. S, U).
REMARQUE : assurez-vous que le bloc-piles est complètement inséré et verrouillé en place.
3. Fermez le couvercle du port du bloc-piles **13**. Assurez-vous que le couvercle du port du bloc-piles est complètement fermé avant de démarrer la tondeuse.

Pour retirer le bloc-piles

1. Levez et maintenez le capot du logement du bloc-piles **13** pour exposer le logement du bloc-piles **33**.
2. Appuyez sur le bouton de déverrouillage du bloc-piles **22** et tirez le bloc-piles **21** hors du port du bloc-piles.

Clé de sécurité (Fig. T)

⚠ **DANGER :** lame tranchante en mouvement. Afin de prévenir le démarrage accidentel ou l'utilisation non autorisée de votre tondeuse sans fil, une clé de sécurité amovible a été intégrée dans la conception de votre tondeuse. La tondeuse sera complètement désactivée lorsque la clé de sécurité a été retirée de la tondeuse.

⚠ **DANGER :** les lames en rotation peuvent causer de graves blessures. Afin de prévenir une blessure grave, arrêtez la tondeuse et retirez la clé de sécurité et les bloc-piles lorsque la tondeuse est laissée sans surveillance ou pendant le chargement, le nettoyage, l'entretien, le transport, le levage ou l'entreposage de la tondeuse.

1. Insérez la clé de sécurité **6** dans la fente de la clé **34**, située sur la poignée principale **4**, jusqu'à ce qu'elle soit complètement insérée à l'intérieur de la fente de la clé **34** comme indiqué dans la Fig. T.
2. La tondeuse est maintenant opérationnelle.

Démarrer la tondeuse (Fig. S, T)

⚠ **DANGER :** lame tranchante en mouvement. Ne jamais tenter de forcer le fonctionnement du boîtier de commande et le système de clé de sécurité, au risque d'entraîner une blessure grave.

⚠ **AVERTISSEMENT :** vérifiez que le système automoteur est désengagé avant de démarrer la tondeuse.

REMARQUE : la tondeuse est opérationnelle lorsque le bloc-piles **21** et la clé de sécurité **6** sont installés.

1. Levez et maintenez le capot du logement du bloc-piles **13** pour exposer le logement du bloc-piles **33**.
2. Glissez un bloc-piles **21** dans le logement du bloc-piles **33** jusqu'à ce que vous entendiez un clic.
REMARQUE : assurez-vous que le bloc-piles est bien placé et entièrement verrouillé en place avant de démarrer la tondeuse.
3. Fermez le couvercle du port du bloc-piles **13**. Assurez-vous que le couvercle du port du bloc-piles **13** est complètement fermé avant de démarrer la tondeuse.
4. Insérez la clé de sécurité **6** dans la fente de la clé **34**, située sur la poignée principale **4**, jusqu'à ce qu'elle soit complètement insérée à l'intérieur de la fente de la clé **34** comme indiqué dans la Fig. T.
5. Pour démarrer les lames de la tondeuse, continuez à maintenir l'anse **8** sur la poignée principale **4**, puis appuyez sur le bouton d'alimentation **11**.
REMARQUE : une fois que la tondeuse démarre, vous pouvez relâcher le bouton d'alimentation **11**, mais vous devez continuer à maintenir l'anse **8** à la poignée principale **4** pour que la tondeuse reste en marche.
6. Pour ARRÊTER la tondeuse, relâchez l'anse **8**.

⚠ **AVERTISSEMENT :** ne jamais tenter de verrouiller le boîtier de commande ou l'anse lorsque l'outil est en marche.

REMARQUE : une que la poignée **8** aura retournée à position originale, cela activera le « Mécanisme de freinage automatique ». Le moteur est freiné et la lame de la tondeuse s'arrête de tourner en trois secondes ou moins. Si la lame de la tondeuse tourne plus longtemps que trois secondes, cessez d'utiliser la tondeuse et faites-la réviser.

Système automoteur (Fig. V)

⚠ **DANGER :** lame tranchante en mouvement. Ne jamais tenter de forcer le fonctionnement du boîtier de commande, du système automoteur ou le système de clé de sécurité, au risque d'entraîner une blessure grave.

Votre tondeuse est équipée d'un système automoteur qui fonctionne indépendamment des lames de la tondeuse.

1. Pour utiliser le système automoteur, appuyez sur le levier automoteur **9** en direction de la poignée principale **4**.
2. Pour désactiver le système automoteur, relâchez le levier du système automoteur **9**.

REMARQUE : durant la coupe, il peut parfois être plus facile de contourner un objet, comme un arbre ou des plantes, avec le système automoteur éteint. La tondeuse peut facilement être utilisée avec le système automoteur arrêté.

Cadran de réglage de la vitesse (Fig. W)

Votre tondeuse est équipée d'une molette de réglage de la vitesse **10** située sur le côté droit du panneau de la poignée.

Les chiffres sur le cadran de réglage de la vitesse **10** indiquent à quelle vitesse le système automoteur propulse la tondeuse. Si vous choisissez un chiffre plus bas, la tondeuse est propulsée plus lentement. Si vous choisissez un chiffre plus élevé, la tondeuse est propulsée plus rapidement.

1. Pour augmenter la vitesse du système automoteur, tournez le cadran de réglage de la vitesse **10** vers l'icône de lapin **35**.

REMARQUE : le cadran de réglage de la vitesse **10** affiche un chiffre plus élevé.

2. Pour diminuer la vitesse du système automoteur, tournez le cadran de réglage de la vitesse **10** vers l'icône de tortue **36**.

REMARQUE : le cadran de réglage de la vitesse **10** affiche un chiffre plus bas.

Surcharge de la tondeuse

Afin de prévenir les dommages dus à des conditions de surcharge, ne pas tenter de retirer trop d'herbe à la fois. Ralentissez le rythme de votre coupe ou augmentez la hauteur de la coupe.

Conseils de tonte (Fig. A)



AVERTISSEMENT : INSPECTEZ TOUJOURS LA ZONE OÙ LA TONDEUSE DOIT ÊTRE UTILISÉE ET RETIREZ TOUTES LES PIERRES, TOUS LES BÂTONS, FILS, OS ET AUTRES DÉBRIS QUI PEUVENT ÊTRE PROJETÉS PAR LA LAME EN ROTATION.



AVERTISSEMENT : tondez en vous déplaçant en transversalement par rapport aux pentes, jamais vers le haut ou vers le bas. Soyez très prudent lorsque vous changez de direction sur les pentes. Ne pas tondre sur des pentes très raides (supérieures à 15 °). Maintenez toujours un bon aplomb.

- Relâchez l'anse **8** pour éteindre la tondeuse lorsque vous croisez une zone en gravier (les cailloux peuvent être projetés par les lames).
- Réglez la tondeuse à la hauteur la plus haute lorsque vous tondez sur un sol accidenté ou des herbes hautes. Retirer trop d'herbes à la fois peut entraîner une surcharge et un arrêt du moteur.
- Si un sac de collecte du gazon **16** est utilisé durant la saison de croissance rapide, le gazon peut avoir tendance à obstruer l'ouverture d'éjection. Relâchez l'anse pour éteindre la tondeuse, retirez la clé de sécurité **6** et le bloc-piles **21**. Retirez le sac de ramassage de l'herbe **16** et secouez l'herbe jusqu'à l'extrémité arrière du sac. Nettoyez aussi l'herbe ou tout débris qui peut être entassé autour de l'ouverture d'éjection. Remettez en place le sac de ramassage de l'herbe **16**.
- Si la tondeuse devait démarrer en vibrant de façon anormale, relâchez l'anse pour éteindre la tondeuse, retirez la clé de sécurité et le bloc-piles. Vérifiez immédiatement la cause. La vibration est un avertissement de problème. Ne pas utiliser la tondeuse jusqu'à ce qu'une vérification de service ait été effectuée.
- Pour de meilleurs résultats de coupe, gardez la lame aiguisée et équilibrée.

- Inspectez et nettoyez soigneusement la tondeuse après chaque utilisation. Un châssis recouvert d'une pellicule de gazon dégradera les performances de l'appareil.
- Retirez toujours l'anse pour éteindre la tondeuse, retirez la clé de sécurité et le bloc-piles lorsque vous la laissez sans surveillance, même pour une courte période.

Les suggestions suivantes vous aideront à obtenir une durée de fonctionnement optimale de votre tondeuse sans fil :

- Ralentissez votre rythme de tonte dans les zones où l'herbe est particulièrement longue ou épaisse.
- Évitez de tondre si l'herbe est mouillée en raison de la pluie ou de la rosée.
- Coupez souvent votre gazon, particulièrement durant les périodes de forte croissance.

REMARQUE : il est recommandé de recharger le bloc-piles après chaque utilisation pour prolonger leur durée. Les chargements fréquents ne nuisent pas à vos piles et assurent que les blocs-piles sont entièrement chargés et prêts pour l'utilisation suivante.

REMARQUE : l'entreposage d'un bloc-piles qui n'est pas complètement chargé réduira sa durée de vie.

ENTRETIEN



DANGER : afin de réduire le risque de blessures corporelles graves, éteignez l'outil et retirez la clé de sécurité et le bloc-piles avant d'effectuer des réglages ou de retirer/installer des fixations ou des accessoires. Un démarrage accidentel peut causer des blessures.

Retirer et installer les lames (Fig. X—DD)



DANGER : RISQUE DE BLESSURE. LORSQUE VOUS RÉASSEMBLEZ LE SYSTÈME DE LAME, ASSUREZ-VOUS QUE CHAQUE PIÈCE EST RÉINSTALLÉE CORRECTEMENT, COMME DÉCRIT CI-DESSOUS. UN ASSEMBLAGE INAPPROPRIÉ DES LAMES OU D'AUTRES PIÈCES DU SYSTÈME DE LAME PEUT CAUSER UNE BLESSURE GRAVE.



DANGER : afin de réduire le risque de blessure corporelle, éteignez l'outil, retirez la clé de sécurité et le bloc-piles avant d'effectuer tout ajustement ou de retirer/installer des pièces ou des accessoires. Un démarrage accidentel peut causer des blessures.

Les lames de remplacement sont disponibles au centre de services agréé le plus proche. Cette tondeuse nécessite des lames de rechange : CMZMW221.

Coupez une pièce de bois de 2 x 4 pouces **37** (environ 2 pieds de long) (610 mm) pour empêcher les lames de tourner lorsque vous retirez l'écrou de l'ensemble de lames **38**.



AVERTISSEMENT : utilisez des gants et une protection oculaire appropriée. Tournez la tondeuse sur le côté. Faites attention aux bords aiguisés des lames.

1. Placez la tondeuse sur le côté, les deux roues à plat sur le sol.

2. Placez le bois de 2 x 4 pouces **37** entre l'ensemble de lames **42** et le rebord extérieur du châssis comme indiqué dans Fig. X pour empêcher les lames de tourner.
3. Dévissez et retirez le boulon de l'ensemble de lames **38** dans le sens inverse des aiguilles d'une montre à l'aide d'une 9/16" (14 mm) clé **39** (non fournie) comme indiqué dans Fig. X, Y.
4. Retirez l'entretoise clavetée **40** et l'ensemble de lames **42** de l'arbre de lames **44**.
5. Fixez l'ensemble de lames **42** dans un étau **43** comme indiqué dans la Fig. Z.
6. Dévissez les quatre écrous de lames **46** dans le sens inverse des aiguilles d'une montre à l'aide d'une 9/16" (14 mm) clé **39** (non fournie), comme indiqué dans la Fig. Z. Dévissez d'abord les deux écrous **46** de la lame **2 47** et retirez la lame **2**. Dévissez ensuite les deux écrous **46** de la lame **1 48** et retirez la lame **1** du moyeu **49**.
REMARQUE : les lames de la tondeuse **47** et **48** sont dotées de trous de fixation clavetés **50** qui permettent de les installer sur le moyeu de la lame **49** uniquement dans le bon sens.
7. Examinez toutes les pièces pour vérifier qu'elles ne sont pas endommagées et remplacez-les si nécessaire.
8. Installez des lames aiguisées ou neuves sur le moyeu de la lame **49** comme indiqué dans la Fig. AA, BB.
9. La lame **1 48** est installée en premier, les trous de boulon étant alignés avec les goujons de lame extérieurs **51** et le trou de montage claveté **50** sur le moyeu de lame **49** comme indiqué dans la Fig. AA.
REMARQUE : assurez-vous que le trou de montage claveté **50** s'engage dans la clavette **52** du moyeu de la lame **49** comme indiqué dans la Fig. AA. La clavette **52** doit être placée au-dessus de la lame **1 48**.
10. La lame **2 47** est installée en second, les trous de boulon étant alignés avec les goujons de lame intérieurs **53** et le trou de montage claveté **50** sur le moyeu de lame **49** comme indiqué dans la Fig. BB.
REMARQUE : assurez-vous que le trou de montage claveté **50** s'engage dans la clavette **52** du moyeu de la lame **49** et s'affleure comme indiqué dans la Fig. BB.
REMARQUE : si la lame **2 47** n'affleure pas la clavette **52** du moyeu de la lame **49**, les lames ont été montées dans le mauvais ordre et doivent être inversées.
11. Vissez les quatre écrous de lame **46** sur les goujons de lame **51** et **53** comme indiqué dans la Fig. AA, BB. Serrez à la main les quatre écrous de lame **46**.
REMARQUE : lorsque vous remplacez des lames aiguisées ou neuves sur le moyeu de la lame **49**, assurez-vous que le bas de la lame, marqué **Grass Side** (côté herbe), est orienté vers le sol lorsque la tondeuse est ramenée à sa position verticale normale.
12. Fixez l'ensemble de lames **42** dans un étau **43**. Serrez les quatre écrous de lames **46** dans le sens inverse des aiguilles d'une montre à l'aide d'une 9/16" (14 mm) clé **39** (non fournie). Serrez les quatre écrous de lame **46** à 13-20 pi-lb.

13. Dans cet ordre, installez l'ensemble de lames **42** et l'entretoise clavetée **40** sur l'arbre de lame **44** comme indiqué dans la Fig. CC.
REMARQUE : alignez les clavettes **41** de l'entretoise clavetée **40** avec les fentes de clavette **45** de l'arbre de la lame **44** comme indiqué dans la Fig. CC.
14. Installez le boulon de l'ensemble de lames **38** et serrez-le à la main.
15. Placez le bois de 2 x 4 pouces **37** entre l'ensemble de lames **42** et le rebord extérieur du châssis comme indiqué dans Fig. DD pour empêcher les lames de tourner.
16. Serrez complètement le boulon de l'ensemble de lames **38** à l'aide d'une 9/16" (14 mm) clé **39** (non fournie). Serrez le boulon de l'ensemble de lames **38** à 37-50 pi-lb.
17. Remettez la tondeuse en position verticale normale.

Aiguiser la lame

GARDEZ LA LAME AIGUISÉE POUR UNE MEILLEURE PERFORMANCE DE LA TONDEUSE. UNE LAME ÉMOUSSÉE NE COUPE PAS L'HERBE NETTEMENT.



AVERTISSEMENT : utilisez des gants et une protection oculaire appropriée pendant que vous retirez, aiguisiez et installez les lames. Assurez-vous que la clé de sécurité et le bloc-piles sont retirés.

Aiguiser les lames deux fois par saison de tonte est habituellement suffisant en circonstances normales. Le sable cause l'émoussetement rapide de la lame. Si le gazon a un sol sablonneux, aiguiser plus souvent peut être nécessaire.

REMPLACEZ IMMÉDIATEMENT LES LAMES PLIÉES OU ENDOMMAGÉES.

Lorsque vous aiguisiez une lame :

- Assurez-vous que la lame reste équilibrée.
- Aiguisiez les lames à l'angle de coupe d'origine.
- Aiguisiez les bords coupants aux deux extrémités de la lame, retirez une quantité égale de matière aux deux extrémités.

Pour aiguiser la lame dans un étau (Fig. EE)

1. Assurez-vous que l'anse est relâchée, que les lames sont arrêtées et que la clé de sécurité et le bloc-piles sont retirés avant de retirer les lames.
2. Retirez les lames de la tondeuse. Consultez les instructions pour **Retirer et installer les lames**.
3. Sécurisez la lame **47** ou **48** dans un étau **43**.
4. Portez une protection oculaire et des gants appropriés et faites attention de ne pas vous couper.
5. Limez soigneusement les bords coupants de la lame avec une lime à dents fines **54** (non incluse) ou une pierre à aiguiser (non incluse), en maintenant l'angle du bord de coupe original.
6. Vérifiez l'équilibre de la lame. Consultez les instructions pour **Équilibrer la lame**.
7. Remettez les lames en place sur la tondeuse et serrez-les bien.

Équilibrer la lame (Fig. FF)

Vérifiez l'équilibre de chaque lame **47** ou **48** en plaçant le trou de montage claveté **50** au-dessus d'un clou ou d'un tournevis rond **55**, serré horizontalement par un étai **43**. Si l'une ou l'autre des extrémités d'une lame tourne vers le bas, limez le long du bord aiguisé de cette extrémité en baisse. La lame est bien équilibrée lorsqu'aucune des extrémités ne baisse.

Nettoyage (Fig. A)

AVERTISSEMENT : soufflez la saleté et la poussière de tous les événements avec de l'air sec et propre au moins une fois par semaine. Afin de réduire le risque de blessure aux yeux, utilisez toujours une protection oculaire approuvée ANSI Z87.1 (CAN/CSA Z94.3) et une protection respiratoire approuvée NIOSH/OSHA/MSHA lorsque vous effectuez ceci.

AVERTISSEMENT : ne jamais utiliser de solvant ou d'autres produits chimiques forts pour le nettoyage des pièces non métalliques de l'outil. Ces produits chimiques peuvent affaiblir les matériaux plastiques des pièces. Utilisez un linge trempé seulement dans de l'eau et du savon doux. Ne jamais laisser de liquide pénétrer à l'intérieur de l'outil, ne jamais immerger de pièce de l'outil dans un liquide.

- Relâchez l'anse **8** pour éteindre la tondeuse, laissez les lames s'arrêter.
- Retirez le bloc-piles et la clé de sécurité.
- Nettoyez tout gazon coupé qui peut s'être accumulé sur le dessous du châssis. Ne pas pulvériser d'eau ou d'autres liquides.
- Après plusieurs utilisations, vérifiez toutes les fixations exposées sont bien serrées.

Corrosion (Fig. A)

Les fertilisants et d'autres produits chimiques pour le jardin contiennent des agents qui accélèrent grandement la corrosion des métaux. Si vous tondez dans des zones où des fertilisants et des produits chimiques ont été utilisés, la tondeuse doit être immédiatement nettoyée après comme ce qui suit :

Relâchez l'anse **8** pour éteindre la tondeuse et retirez le bloc-piles et la clé de sûreté. Essayez toutes les pièces exposées avec un linge humide.

ATTENTION : ne pas verser ou vaporiser de l'eau sur la tondeuse pour tenter de la nettoyer. Ne pas entreposer l'outil sur ou près de fertilisants ou de produits chimiques. Un tel entreposage peut causer de la corrosion.

Respecte les exigences de sécurité de la CPSC

CRAFTSMAN Les tondeuses sont conformes aux normes de sécurité de l'American National Standards Institute et de la Consumer Product Safety Commission aux États-Unis. Les lames tournent lorsque le moteur est en marche.

Accessoires

AVERTISSEMENT : les accessoires autres que CRAFTSMAN n'ayant pas été testés avec ce produit, leur utilisation avec cet outil peut s'avérer dangereuse. Pour réduire le risque de blessure, seuls les accessoires recommandés par CRAFTSMAN doivent être utilisés avec ce produit.

Les accessoires recommandés pour utilisation avec cet outil sont disponibles à un coût supplémentaire chez votre détaillant local ou dans un centre de services autorisé. Si vous avez besoin d'aide pour localiser un accessoire, contactez CRAFTSMAN. Appelez au **1-888-331-4569**.

Réparations

Le chargeur et le bloc-piles ne sont pas réparables. Le chargeur ou le bloc-piles ne comportent aucune pièce réparable.

AVERTISSEMENT : pour assurer la SÉCURITÉ et la FIABILITÉ du produit, les réparations, l'entretien et les réglages doivent être réalisés (cela comprend l'inspection et le remplacement du balai, le cas échéant) par un centre de réparation en usine ou un centre de réparation agréé. Toujours utiliser des pièces de rechange identiques.

Enregistrez-vous en ligne

Nous vous remercions de votre achat. Enregistrez votre produit maintenant pour :

- **SERVICE DE GARANTIE** : l'enregistrement de votre produit en ligne vous aide à obtenir un service de garantie efficace au cas où vous auriez un problème avec votre produit.
- **CONFIRMATION DE PROPRIÉTÉ** : en cas de pertes liées aux assurances telles qu'un incendie, une inondation ou un vol, votre enregistrement de propriété servira de preuve de votre achat.
- **POUR VOTRE SÉCURITÉ** : l'enregistrement de votre produit nous permet de vous contacter dans le cas peu probable d'une notification de sécurité requise selon le Federal Consumer Safety Act.

Inscrivez-vous en ligne sur www.craftsman.com/account/login.

Garantie limitée de trois ans

Pour connaître les conditions de la garantie, consultez www.craftsman.com/pages/warranty.

Pour demander une copie écrite des conditions de la garantie, contactez : Service à la clientèle chez CRAFTSMAN, 701 East Joppa Road, Towson, MD 21286 ou appelez le **1-888-331-4569**.

AMÉRIQUE LATINE : la présente garantie ne s'applique pas aux produits vendus en Amérique Latine. Pour les produits vendus en Amérique Latine, consultez les renseignements sur la garantie particulière au pays comprise dans l'emballage, appelez l'entreprise locale ou consultez le site Web pour les renseignements complets à propos de la garantie.

REMPACEMENT GRATUIT DES ÉTIQUETTES

D'AVERTISSEMENT : si vos étiquettes d'avertissement deviennent illisibles ou sont manquantes, appelez le **1-888-331-4569** pour un remplacement gratuit.

GUIDE DE DÉPANNAGE

⚠ DANGER : afin de réduire le risque de blessure corporelle, éteignez l'outil, retirez la clé de sécurité et retirez le bloc-piles avant d'effectuer tout ajustement ou de retirer/installer des pièces ou des accessoires. Un démarrage accidentel peut causer des blessures.

Pour obtenir de l'aide sur votre produit, appelez CRAFTSMAN au **1-888-331-4569**.

PROBLÈME	SOLUTION
La tondeuse ne fonctionne pas lorsque l'anse est activée	<p>Vérifiez que la clé de sécurité a été installée et qu'elle est bien en place et que le bouton d'alimentation a été enfoncé.</p> <p>Relâchez l'anse. Arrêtez la tondeuse. Retirez la clé de sécurité et le bloc-piles. Retournez la tondeuse et vérifiez que les lames tournent librement.</p> <p>Vérifiez si le logement des piles est libre de débris et bien connecté.</p> <p>Est-ce que le bloc-piles est entièrement chargé? Appuyez sur le bouton de l'état de charge sur la batterie.</p> <p>L'indicateur d'état de charge de la batterie reste-t-il allumé en rouge (Fig. U)? Rechargez la batterie.</p> <p>L'indicateur d'état de charge de la batterie clignote-t-il en rouge (Fig. U)?</p> <ul style="list-style-type: none"> • Vérifiez l'état de charge du/des bloc(s) de batterie - si le(s) bloc(s) de batterie est/sont déchargé(s), rechargez le(s) bloc(s) de batterie. • Vérifiez l'état de charge du/des bloc(s) de batterie - s'il(s) n'est/ne sont pas déchargé(s), le(s) bloc(s) de batterie est/sont en surchauffe et s'est/se sont éteint(s). Laissez le(s) bloc(s) de batterie refroidir, puis recommencez à tondre.
Le moteur des lames s'arrête pendant la tonte	<p>Relâchez l'anse. Arrêtez la tondeuse. Retirez la clé de sécurité et le bloc-piles. Retournez la tondeuse et vérifiez que les lames tournent librement.</p> <p>Montez la hauteur de coupe des roues à la position la plus élevée et démarrez la tondeuse.</p> <p>Vérifiez que la cavité du bloc-piles est exempte de débris.</p> <p>Est-ce que le bloc-piles est entièrement chargé? Appuyez sur le bouton de l'état de charge sur la batterie.</p> <p>Évitez de surcharger la tondeuse. Ralentissez le rythme de la coupe ou augmentez la hauteur de la coupe.</p> <p>Si le voyant de surchauffe est allumé, laissez le bloc-piles et la tondeuse refroidir. Une fois refroidis, redémarrez la tondeuse et reprenez la coupe avec le châssis de coupe réglé plus haut.</p>
La poignée à simple pression ① ne se verrouille pas en position de rangement	<p>Assurez-vous que les deux loquets de rangement 25 au bas des tubes de la poignée à simple pression ① sortent vers l'extérieur avant d'abaisser la poignée à simple pression ① en position de rangement.</p> <p>La poignée principale ④ doit s'engager complètement dans les fenêtres de la poignée ②④. Si elles ne sont pas engagées comme indiqué dans la Fig. H, appuyez sur la poignée principale ④ vers le support de poignée ② jusqu'à ce que deux clics audibles se fassent entendre et que les deux côtés des fenêtres de poignée ②④ soient fermés comme indiqué dans la Fig. I.</p>
Le moteur du système automateur cessera de fonctionner	<p>Éteignez l'alimentation du système automateur.</p> <p>Enlevez les débris du boîtier du moteur du système automateur.</p> <p>Assurez-vous que les roues tournent librement.</p>
La tondeuse fonctionne, mais la performance de la coupe n'est pas satisfaisante ou elle ne coupe pas tout le gazon	<p>Est-ce que le bloc-piles est entièrement chargé? Appuyez sur le bouton de l'état de charge sur la batterie.</p> <p>Relâchez l'anse pour éteindre la tondeuse. Retirez la clé de sécurité et le bloc-piles. Retournez la tondeuse et vérifiez :</p> <ul style="list-style-type: none"> • L'aiguisage des lames. Gardez les lames aiguisées. • Le châssis et le conduit d'éjection pour toute obstruction. <p>L'ajustement de la hauteur des roues peut être réglé trop bas pour l'état du gazon. Montez la hauteur de la coupe.</p>
La tondeuse est trop difficile à pousser	<p>Relâchez l'anse pour éteindre la tondeuse. Retirez la clé de sécurité et le bloc-piles. Montez la hauteur de la coupe afin de réduire la résistance du châssis sur le gazon. Vérifiez chaque roue pour voir si elle tourne librement.</p>
La tondeuse est anormalement bruyante et vibre	<p>Relâchez l'anse pour éteindre la tondeuse. Retirez la clé de sécurité et le bloc-piles. Tournez la tondeuse sur le côté et vérifiez la lame afin d'assurer qu'elle n'est pas pliée ou endommagée. Si la lame est endommagée, remplacez-la par une lame de remplacement CRAFTSMAN replacement blade. Si le dessous du châssis est endommagé, retournez la tondeuse dans un centre de services autorisé CRAFTSMAN Authorized service center.</p> <p>S'il n'y a pas de dommage visible sur la lame et que la tondeuse vibre encore : Relâchez l'anse pour éteindre la tondeuse. Retirez la clé de sécurité et le bloc-piles. Désassemblez tout l'assemblage de la lame comme illustré dans la section Retirer et installer les lames. Retirez tout débris et nettoyez chaque pièce. Remplacez chaque pièce comme illustré dans la section Retirer et installer les lames. Si la tondeuse vibre encore, retournez-la dans un centre de services autorisés CRAFTSMAN authorized service center.</p>
La tondeuse ne ramasse pas le gazon coupé avec le sac	<p>Conduit d'éjection obstrué. Relâchez l'anse pour éteindre la tondeuse. Retirez la clé de sécurité et le bloc-piles. Dégagez le conduit de tout gazon coupé.</p> <p>Montez la hauteur de coupe des roues à la longueur la plus courte de la coupe.</p> <p>Sac plein. Videz le sac plus souvent.</p>



ADVERTENCIA: Lea todas las advertencias de seguridad e instrucciones. El incumplimiento de las advertencias e instrucciones puede provocar descargas eléctricas, incendios o lesiones graves.



ADVERTENCIA: Para reducir el riesgo de lesiones, lea el manual de instrucciones.

Uso pretendido

Esta podadora ha sido diseñada para aplicaciones profesionales de poda de césped.

NO use bajo condiciones húmedas o en presencia de líquidos o gases inflamables.

Esta podadora es un aparato profesional para el cuidado del césped.

NO permita que niños estén en contacto con la herramienta. Se requiere supervisión cuando operadores sin experiencia operen esta herramienta.

Definiciones: Símbolos y Palabras de

Alerta de Seguridad

Las siguientes definiciones describen el nivel de gravedad de cada palabra de advertencia. Lea el manual de la herramienta eléctrica y preste atención a estos símbolos.



PELIGRO: Indica una situación de peligro inminente que, si no se evita, **provocará la muerte o lesiones graves.**



ADVERTENCIA: Indica una situación de peligro potencial que, si no se evita, **podría provocar la muerte o lesiones graves.**



ATENCIÓN: Indica una situación de peligro potencial que, si no se evita, **posiblemente provocaría lesiones leves o moderadas.**



(Utilizado sin palabras) Indica un mensaje de seguridad relacionado.

AVISO: Se refiere a una práctica **no relacionada a lesiones corporales** que de no evitarse **puede** resultar en **daños a la propiedad.**

ADVERTENCIAS GENERALES DE SEGURIDAD PARA HERRAMIENTAS ELÉCTRICAS



ADVERTENCIA: Lea todas las advertencias de seguridad, instrucciones, ilustraciones y especificaciones incluidas con esta herramienta eléctrica. La falla en seguir todas las instrucciones siguientes puede resultar en descarga eléctrica, incendio y/o lesiones serias.

CONSERVE TODAS LAS ADVERTENCIAS E INSTRUCCIONES PARA FUTURAS CONSULTAS.

El término "herramienta eléctrica" incluido en las advertencias hace referencia a las herramientas eléctricas operadas con corriente (con cable eléctrico) o a las herramientas eléctricas operadas con baterías (inalámbricas).

1) Seguridad en el Área de Trabajo

- Mantenga el área de trabajo limpia y bien iluminada.** Las áreas abarrotadas y oscuras propician accidentes.
- No opere las herramientas eléctricas en atmósferas explosivas, como ambientes donde haya polvo, gases o líquidos inflamables.** Las herramientas eléctricas originan chispas que pueden encender el polvo o los vapores.
- Mantenga alejados a los niños y a los espectadores de la herramienta eléctrica en funcionamiento.** Las distracciones pueden provocar la pérdida de control.

2) Seguridad Eléctrica

- Los enchufes de la herramienta eléctrica deben adaptarse al tomacorriente. Nunca modifique el enchufe de ninguna manera. No utilice ningún enchufe adaptador con herramientas eléctricas con conexión a tierra.** Los enchufes no modificados y que se adaptan a los tomacorrientes reducirán el riesgo de descarga eléctrica.
- Evite el contacto corporal con superficies con descargas a tierra como, por ejemplo, tuberías, radiadores, cocinas eléctricas y refrigeradores.** Existe mayor riesgo de descarga eléctrica si su cuerpo está puesto a tierra.
- No exponga las herramientas eléctricas a la lluvia o a condiciones de humedad.** Si entra agua a una herramienta eléctrica, aumentará el riesgo de descarga eléctrica.
- No maltrate el cable. Nunca utilice el cable para transportar, tirar o desenchufar la herramienta eléctrica. Mantenga el cable alejado del calor, el aceite, los bordes filosos y las piezas móviles.** Los cables dañados o enredados aumentan el riesgo de descarga eléctrica.
- Al operar una herramienta eléctrica en el exterior, utilice un cable prolongador adecuado para tal uso.** Utilice un cable adecuado para uso en exteriores a fin de reducir el riesgo de descarga eléctrica.
- Si el uso de una herramienta eléctrica en un lugar húmedo es imposible de evitar, utilice un suministro protegido con un interruptor de circuito por falla a tierra (GFCI).** El uso de un GFCI reduce el riesgo de descargas eléctricas.

3) Seguridad Personal

- Permanezca alerta, controle lo que está haciendo y utilice el sentido común cuando emplee una herramienta eléctrica. No utilice una herramienta eléctrica si está cansado o bajo el efecto de drogas, alcohol o medicamentos.** Un momento de descuido mientras se opera una herramienta eléctrica puede provocar lesiones personales graves.
- Utilice equipos de protección personal. Siempre utilice protección para los ojos.** En las condiciones adecuadas, el uso de equipos de protección,

como máscaras para polvo, calzado de seguridad antideslizante, cascos o protección auditiva, reducirá las lesiones personales.

- c) **Evite el encendido por accidente. Asegúrese de que el interruptor esté en la posición de apagado antes de conectarlo a la fuente de energía o paquete de baterías, o antes de levantar o transportar la herramienta.** Transportar herramientas eléctricas con el dedo apoyado en el interruptor o enchufar herramientas eléctricas con el interruptor en la posición de encendido puede propiciar accidentes.
- d) **Retire la clavija de ajuste o la llave de tuercas antes de encender la herramienta eléctrica.** Una llave de tuercas o una clavija de ajuste que quede conectada a una pieza giratoria de la herramienta eléctrica puede provocar lesiones personales.
- e) **No se estire. Conserve el equilibrio y párese adecuadamente en todo momento.** Esto permite un mejor control de la herramienta eléctrica en situaciones inesperadas.
- f) **Use la vestimenta adecuada. No use ropas holgadas ni joyas. Mantenga el cabello, la ropa y los guantes alejados de las piezas en movimiento.** Las ropas holgadas, las joyas o el cabello largo pueden quedar atrapados en las piezas en movimiento.
- g) **Si se suministran dispositivos para la conexión de accesorios con fines de recolección y extracción de polvo, asegúrese de que estén conectados y que se utilicen correctamente.** El uso de dispositivos de recolección de polvo puede reducir los peligros relacionados con el polvo.
- h) **No permita que la familiaridad obtenida a partir del uso frecuente de herramientas le permitan volverse descuidado e ignorar los principios de seguridad de la herramienta.** Una acción descuidada puede causar lesiones severas en una fracción de segundo.

4) Uso y Mantenimiento de la Herramienta Eléctrica

- a) **No fuerce la herramienta eléctrica. Utilice la herramienta eléctrica correcta para el trabajo que realizará.** Si se la utiliza a la velocidad para la que fue diseñada, la herramienta eléctrica correcta permite trabajar mejor y de manera más segura.
- b) **No utilice la herramienta eléctrica si no puede encenderla o apagarla con el interruptor.** Toda herramienta eléctrica que no pueda ser controlada mediante el interruptor es peligrosa y debe repararse.
- c) **Desconecte el enchufe de la fuente de alimentación y/o retire la batería, o paquete si es desmontable, de la herramienta eléctrica antes de realizar cualquier ajuste, cambiar accesorios o almacenar herramientas eléctricas.** Estas medidas de seguridad preventivas reducen el riesgo de encender la herramienta eléctrica en forma accidental.

- d) **Guarde la herramienta eléctrica que no esté en uso fuera del alcance de los niños y no permita que otras personas no familiarizadas con ella o con estas instrucciones operen la herramienta.** Las herramientas eléctricas son peligrosas si son operadas por usuarios no capacitados.
- e) **Dé mantenimiento a las herramientas eléctricas y accesorios. Revise que no haya piezas en movimiento mal alineadas o trabadas, piezas rotas o cualquier otra situación que pueda afectar el funcionamiento de la herramienta eléctrica. Si encuentra daños, haga reparar la herramienta eléctrica antes de utilizarla.** Se producen muchos accidentes a causa de las herramientas eléctricas que carecen de un mantenimiento adecuado.
- f) **Mantenga las herramientas de corte afiladas y limpias.** Las herramientas de corte con mantenimiento adecuado y con los bordes de corte afilados son menos propensas a trabarse y son más fáciles de controlar.
- g) **Utilice la herramienta eléctrica, los accesorios y las brocas de la herramienta, etc. de acuerdo con estas instrucciones y teniendo en cuenta las condiciones de trabajo y el trabajo que debe realizarse.** El uso de la herramienta eléctrica para operaciones diferentes de aquellas para las que fue diseñada podría originar una situación peligrosa.
- h) **Mantenga las manijas y superficies de sujeción secas, limpias y libres de aceite y grasa.** Las manijas y superficies de sujeción resbalosas no permiten el manejo y control seguros de la herramienta en situaciones inesperadas.

5) Uso y Mantenimiento de la Herramienta con Baterías

- a) **Recargue solamente con el cargador especificado por el fabricante.** Un cargador adecuado para un tipo de paquete de baterías puede originar riesgo de incendio si se utiliza con otro paquete de baterías.
- b) **Utilice herramientas eléctricas sólo con paquetes de baterías específicamente diseñados.** El uso de cualquier otro paquete de baterías puede producir riesgo de incendio y lesiones.
- c) **Cuando no utilice el paquete de baterías, manténgalo lejos de otros objetos metálicos como sujetapapeles, monedas, llaves, clavos, tornillos u otros objetos metálicos pequeños que puedan realizar una conexión desde un terminal al otro.** Los cortocircuitos en los terminales de la batería pueden provocar quemaduras o incendio.
- d) **En condiciones abusivas, el líquido puede ser expulsado de la batería. Evite su contacto. Si entra en contacto accidentalmente, enjuague con agua. Si el líquido entra en contacto con los ojos, busque atención médica.** El líquido expulsado de la batería puede provocar irritación o quemaduras.
- e) **No use un paquete de batería o herramienta que estén dañados o modificados.** Las baterías dañadas o modificadas pueden presentar un comportamiento

impredecible que resulte en incendios, explosión o riesgo de lesiones.

- f) **No exponga un paquete de batería o una herramienta a fuego o temperatura excesiva.** La exposición a fuego o temperaturas mayores a 130 °C (265 °F) pueden causar una explosión.
- g) **Siga todas las instrucciones de carga y no cargue el paquete de batería o la herramienta fuera del rango de temperatura especificado en las instrucciones.** Cargar inadecuadamente o en una temperatura fuera del rango de temperatura especificado puede dañar la batería e incrementar el riesgo de incendio.

6) Mantenimiento

- a) **Solicite a una persona calificada en reparaciones que realice el mantenimiento de su herramienta eléctrica y que sólo utilice piezas de repuesto idénticas.** Esto garantizará la seguridad de la herramienta eléctrica.
- b) **Nunca dé servicio a paquetes de batería dañados.** El servicio de paquetes de batería sólo debe ser realizado por el fabricante o proveedores de servicio autorizados.

ADVERTENCIAS E INSTRUCCIONES DE SEGURIDAD IMPORTANTES



ADVERTENCIA: Para reducir el riesgo de lesiones:

- Antes de cualquier uso, asegúrese que cualquiera que use esta herramienta lea y entienda todas las instrucciones de seguridad y otra información contenida en este manual.
- Conserve estas instrucciones y revíselas antes del uso y al instruir a otros.



ADVERTENCIA: Cuando use podadoras de batería, siempre se deben seguir las precauciones de seguridad básica para reducir el riesgo de incendio, descarga eléctrica, y lesiones personales, incluyendo las siguientes:

LEA TODAS LAS INSTRUCCIONES

ADVERTENCIAS GENERALES DE SEGURIDAD E INSTRUCCIONES PARA TODAS LAS PODADORAS DE CÉSPED



PELIGRO:

- **Esta herramienta puede ser peligrosa.** Siga todas las advertencias e instrucciones de seguridad de este manual. El operador es responsable de seguir las advertencias e instrucciones en este manual y en la unidad. Restrinja el uso de esta podadora a las personas que lean, entiendan y sigan las advertencias e instrucciones de este manual y de la unidad.
- **Evite ambientes peligrosos** – no use podadoras en ubicaciones mojadas o húmedas.
- **No use en lluvia.**
- **Mantenga a los niños alejados** – Todos los visitantes deben mantener una distancia segura del área de trabajo.
- **Use vestimenta apropiada** – No use ropa holgada o joyería. Pueden quedar atrapados en las partes móviles. Se recomienda el uso de guantes de hule y calzado cuando trabaje en exteriores.
- **Use Gafas de seguridad** – También use una careta o máscara de polvo si la operación produce polvo.
- **Utilice el aparato correcto** – No utilice la podadora para ningún trabajo excepto para el que está diseñada.
- **Revise respecto a partes dañadas.** Antes de utilizar la podadora, se debe revisar cuidadosamente un protector u otra parte que esté dañada para determinar si funcionará correctamente y cumplirá su función. Revise la alineación de las partes móviles, la unión de las partes móviles, la ruptura de partes, el montaje y cualquier otra condición que pueda afectar su operación. Una protección u otra parte que esté dañada se debe reparar o reemplazar apropiadamente por un centro de servicio autorizado, a menos que se indique lo contrario en otra parte de este manual.
- **Reparaciones y servicio.** Las reparaciones, el mantenimiento y los ajustes no especificados en este manual deben ser realizados por los centros de servicio autorizados u otras organizaciones de servicio calificadas, siempre utilizando partes de repuesto idénticas.
- **No fuerce la podadora** – Hará el trabajo mejor y con más seguridad en la velocidad para la que está diseñada.
- **No se estire en exceso** – Mantenga la pisada y equilibrio adecuados en todo momento.
- **Permanezca alerta** – Observe lo que está haciendo. Utilice el sentido común. No opere la podadora de césped cuando esté cansado.
- **Desconecte la podadora de césped** – Retire la llave de seguridad y los paquetes de batería de la podadora cuando no esté en uso, antes de dar servicio, cuando cambie accesorios tales como cuchillas, y similares.
- **Guarde la podadora sin uso en interiores** – Cuando no se usa, la podadora de césped debe almacenarse en un lugar seco y cerrado, fuera del alcance de los niños. Retire la llave de seguridad y los paquetes de batería.
- **Mantenga la podadora con cuidado** – Mantenga los bordes de corte afilados y limpios para un mejor desempeño y más seguro. Siga las instrucciones para lubricar y cambiar los accesorios. Mantenga las manijas secas, limpias y libres de aceite y grasa.
- **Mantenga las protecciones en su lugar y en buen estado de operación.**
- **Mantenga las cuchillas afiladas.**
- **Mantenga las manos y los pies lejos del área de corte.**
- **Los objetos golpeados por la cuchilla de la podadora pueden causar lesiones graves a las personas.** El césped siempre debe revisarse cuidadosamente y despejarse de todos los objetos antes de cada corte.

- **Si la podadora golpea un objeto extraño, siga estos pasos:**
 1. Detenga la podadora. Libere la manija de travesaño.
 2. Retire los paquetes de baterías y la llave de seguridad.
 3. Revise respecto a daño.
 4. Repare cualquier daño antes de reiniciar y operar la podadora.
- **Use cuchillas de repuesto idénticas solamente.**

GUARDE ESTAS INSTRUCCIONES

IMPORTANTE

Prácticas seguras para podadoras controladas por peatones

Esta máquina es capaz de amputar manos y pies y arrojar objetos. La falla en observar las siguientes instrucciones de seguridad puede provocar lesiones graves o la muerte.

Información general

1. Lea, comprenda y siga las instrucciones y advertencias de este manual y de la máquina, el motor y los accesorios.
2. Sólo permita operadores, responsables, entrenados, familiarizados con las instrucciones y físicamente capaces de operar la máquina.
3. No opere la máquina bajo la influencia de alcohol o drogas.

Preparación antes de operación

1. Despeje el área de operación de cualquier objeto que pueda ser arrojado o interferir con la operación de la máquina.
2. Mantenga el área de operación libre de transeúntes, particularmente niños pequeños y mascotas. Detenga la máquina y los accesorios si alguien entra al área.
3. No opere la máquina sin el recolector de césped completo, el conducto de descarga u otros dispositivos de seguridad en su lugar y funcionando correctamente. Verifique frecuentemente si hay señales de desgaste o deterioro y reemplace según sea necesario.
4. Use el equipo de protección personal adecuado, como gafas de seguridad, protección auditiva, protección respiratoria y calzado.

Operación

1. Sólo use la máquina durante el día o con buena iluminación artificial.
2. Evite agujeros, surcos, baches, rocas u otros peligros ocultos. Un terreno irregular podría volcar la máquina, o hacer que el operador pierda el equilibrio o la posición de los pies. La hierba alta puede esconder obstáculos. Permanezca detrás de la manija.
3. No coloque las manos o los pies cerca de partes giratorias o debajo de la máquina. Manténgase alejado de la abertura de descarga en todo momento.
4. Nunca descargue el material directamente hacia nadie. Evite descargar material contra una pared u obstrucción. El material puede rebotar hacia el operador. Detenga las cuchillas al cruzar superficies de grava.

5. No jale la podadora hacia atrás a menos que sea absolutamente necesario. Siempre mire hacia abajo y hacia atrás antes y mientras se mueve hacia atrás.
6. Siempre suelte la manija de travesaño para detener el motor y espere hasta que la cuchilla se detenga por completo y retire la llave de seguridad y los paquetes de la batería antes de limpiar la podadora, retirando el recogedor de césped, desbloqueando la descarga, al dejar la podadora, al almacenar la podadora, al transportarla o antes de realizar ajustes, reparaciones o inspecciones.
7. Si la podadora comienza a vibrar anormalmente, suelte la manija de travesaño, espere a que la cuchilla se detenga y retire la llave de seguridad y los paquetes de baterías, y luego verifique la causa de inmediato. La vibración generalmente es una advertencia de problemas.

Específico para niños

1. Pueden ocurrir accidentes trágicos si el operador no está alerta a la presencia de niños. Los niños a menudo se sienten atraídos por la máquina y la actividad de poda. Nunca asuma que los niños permanecerán donde los vio por última vez.
2. Mantenga a los niños fuera del área de operación y bajo la atenta supervisión de un adulto responsable que no sea el operador.
3. Esté alerta y apague la podadora si un niño ingresa al área.

Específico para pendientes

1. Las pendientes son un factor importante relacionado con los accidentes. La operación en pendientes requiere precaución adicional. Sólo puede pendientes que tengan 15° o menos utilizando el Indicador de pendiente en la Fig. GG. No puede pendientes si es incómodo hacerlo.
2. Puede a través de la pendiente; nunca de arriba a abajo. Tenga cuidado al operar cerca de las bajadas, canales, o diques.
3. Evite cortar el césped mojado. (Un equilibrio descuidado podría causar un accidente de resbalón y caída.)
4. No opere la máquina bajo ninguna condición donde la tracción, la dirección o la estabilidad estén en duda. La podadora podría deslizarse incluso si las ruedas están detenidas.
5. Evite comenzar y detenerse en pendientes. Evite hacer cambios repentinos en la velocidad o dirección. Haga giros lenta y gradualmente.
6. Tenga mucho cuidado al operar la máquina con un recolector de césped u otros accesorios. Pueden afectar la estabilidad de la máquina.

Servicio

1. Mantenga la máquina en buen estado de operación. Reemplace las partes desgastadas o dañadas.
2. Tenga cuidado al reparar las cuchillas. Envuelva las cuchillas o use guantes. Reemplace las cuchillas dañadas. No repare ni altere las cuchillas. Mantenga todas las tuercas y pernos apretados.
3. Mantenga la podadora libre de hierba, hojas u otros desechos acumulados.

4. Mantenga o reemplace las etiquetas de seguridad e instrucciones conforme sea necesario.

Las siguientes son explicaciones de ilustraciones de peligros de seguridad importantes en la podadora.



El usuario debe leer y comprender el manual de instrucciones.



Las cuchillas giratorias pueden causar lesiones serias. Mantenga las manos y los pies alejados de la plataforma de poda y la abertura de descarga en todo momento. Siempre asegúrese que la cuchilla se haya detenido. Libere la manija de travesaño para apagar la podadora y espere que la cuchilla deje de girar (aproximadamente 3 segundos) y retire la llave de seguridad y los paquetes de batería antes de retirar o reemplazar el recogedor de césped, limpiar, dar servicio, transportar o levantar la podadora.



Siempre use protección para los ojos adecuada.



Los objetos golpeados por la cuchilla de la podadora pueden causar lesiones graves. Manténgase detrás de la manija cuando el motor esté funcionando. Siempre asegúrese que las personas y las mascotas estén a una distancia segura de la podadora durante el funcionamiento. Suelte la manija de travesaño para apagar la podadora y espere a que la hoja deje de girar (aproximadamente 3 segundos) antes de cruzar aceras, caminos, patio y caminos de grava.



Tenga cuidado de las cuchillas filosas.



Para evitar el riesgo de lesiones severas, no pade pendientes en un ángulo de más de 15 %/25%.



No pade pendientes hacia abajo.



No pade pendientes hacia arriba.



Pode a través de la cara de las pendientes menores a 15 %/25%.



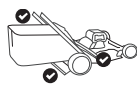
Siempre mire hacia abajo y hacia atrás antes y mientras se mueve hacia atrás.



No opere la máquina sin la aleta trasera o el conducto de descarga lateral trasero en su lugar.



Opere la máquina sin la aleta trasera o el conducto de descarga lateral trasero en su lugar.



Opere la máquina con la aleta trasera y la bolsa de recolección de césped en su lugar.



Siempre revise el área de siega antes de cortar y quite los objetos que puedan ser arrojados por la cuchilla.



Mantenga alejados a los niños y espectadores mientras opera la podadora.



Información de seguridad adicional

ADVERTENCIA: Nunca modifique la herramienta eléctrica o ninguna parte de ella. Podría resultar en daño o lesiones personales.

ADVERTENCIA: SIEMPRE use gafas de seguridad. Las gafas de uso diario NO son gafas de seguridad. También use una careta o máscara de polvo si la operación de corte produce polvo. Utilice la protección auditiva si la operación de corte es ruidosa. SIEMPRE USE EQUIPO DE SEGURIDAD CERTIFICADO:

- Protección para los ojos ANSI Z87.1 (CAN/CSA Z94.3),
- Protección auditiva ANSI S12.6 (S3.19),
- Protección respiratoria NIOSH/OSHA/MSHA.












ADVERTENCIA: Algún polvo producido por este producto contiene químicos conocidos por el Estado de California que causan cáncer, defectos de nacimiento

u otros daños reproductivos. Algunos ejemplos de estos químicos son:

- compuestos en fertilizantes
- compuestos en insecticidas, herbicidas y pesticidas
- arsénico y cromo a partir de madera tratada químicamente

Para reducir su exposición a estos químicos, use equipo de seguridad aprobado, tal como máscaras de polvo que estén diseñadas específicamente para filtrar partículas microscópicas.

La etiqueta en su herramienta puede incluir los siguientes símbolos. Los símbolos y sus definiciones son los siguientes:


V..... voltios	 o CA/CD..... corriente alterna o directa
Hz..... hertz	 Construcción Clase II (aislamiento doble)
min..... minutos	n ₀ sin carga velocidad
— o CD..... corriente directa	n..... velocidad nominal
 Construcción Clase I (conectada a tierra)	PSI..... libras por pulgada cuadrada
.../min..... por minuto	 terminal de tierra
BPM..... golpes por minuto	 símbolo de alerta de seguridad
IPM..... impactos por minuto	 radiación visible—no mirar directamente a la luz
OPM..... oscilaciones por minuto	 usar protección respiratoria
RPM..... revoluciones por minuto	 usar protección para los ojos
sfpm..... pies de superficie por minuto	 usar protección auditiva
SPM..... carreras por minuto	 lea toda la documentación
A..... amperios	 no exponga a la lluvia
W..... watts	
Wh..... watt horas	
Ah..... amperios hora	
 o CA..... corriente alterna	

Baterías y Cargadores

El paquete de batería no está completamente cargado cuando se retira del cartón. Antes de usar la batería y el cargador, lea las siguientes instrucciones de seguridad y luego siga los procedimientos de carga descritos. Cuando solicite paquetes de baterías de repuesto, asegúrese de incluir el número de catálogo y el voltaje.

LEA TODAS LAS INSTRUCCIONES

Instrucciones de Seguridad Importantes para Todos los Paquetes de Batería

 **ADVERTENCIA:** Lea todas las advertencias de seguridad, instrucciones y marcas de precaución para el paquete de la batería, el cargador y el producto. La falla en seguir las advertencias e instrucciones puede resultar en descarga eléctrica, incendio y/o lesiones serias.

- **No cargue o use el paquete de batería en atmósferas explosivas, como en la presencia de líquidos, gases o polvo inflamables.** Insertar o retirar el paquete de batería del cargador puede encender el polvo y los vapores.

- **NUNCA fuerce el paquete de batería dentro del cargador. NO modifique el paquete de batería en ninguna forma para instalarlo en un cargador no compatible ya que el paquete de batería se puede romper causando lesiones personales serias.** Consulte la tabla al final de este manual respecto a compatibilidad de las baterías y cargadores.
- **Cargue los paquetes de batería sólo en CRAFTSMAN.**
- **NO salpique ni sumerja en agua u otros líquidos.**
- **NO permita que agua o ningún otro líquido entre al paquete de batería.**
- **No almacene ni use la herramienta y el paquete de baterías en lugares donde la temperatura pueda alcanzar o exceder los 40 °C (104 °F) (como cobertizos exteriores o edificios de metal en verano).** Para obtener la mejor vida útil, guarde los paquetes de baterías en un lugar fresco y seco.
- **NOTA: No guarde los paquetes de baterías en una herramienta con el interruptor de gatillo bloqueado. Nunca sujete con cinta el interruptor de gatillo en la posición ON.**
- **No incinere el paquete de batería incluso si está dañado severamente o está completamente agotada.** El paquete de batería pueden explotar en el fuego. Se crean humos y materiales tóxicos cuando se queman los paquetes de baterías de ion de litio.
- **No exponga un paquete de batería o una herramienta a fuego o temperatura excesiva.** La exposición a fuego o temperaturas mayores a 130 °C (265 °F) pueden causar una explosión.
- **Siga todas las instrucciones de carga y no cargue el paquete de batería o el aparato fuera del rango de temperatura especificado en las instrucciones.** Cargar inadecuadamente o en una temperatura fuera del rango especificado puede dañar la batería e incrementar el riesgo de incendio.
- **Si el contenido de la batería entra en contacto con la piel, lave de inmediato el área con jabón suave y agua.** Si el líquido de la batería entra en los ojos, enjuague con agua sobre el ojo abierto durante 15 minutos o hasta que desaparezca la irritación. Si se necesita atención médica, el electrólito de la batería está compuesto por una mezcla de carbonatos orgánicos líquidos y sales de litio.
- **El contenido de las celdas de batería abiertas puede causar irritación respiratoria.** Proporcione aire fresco. Si los síntomas persisten, busque atención médica.
- **El líquido de la batería puede ser inflamable si se expone a chispas o llamas.**
- **Nunca intente abrir el paquete de baterías por ninguna razón. Si la caja del paquete de baterías está agrietada o dañada, no la inserte en el cargador.** No aplaste, deje caer o dañe el paquete de la batería. No use un paquete de baterías o cargador que haya recibido un golpe fuerte, se haya dejado caer, se haya aplastado o dañado de cualquier manera (por ej., perforado con un clavo, golpeado con un martillo, o pisado). Los paquetes de batería dañados se deben regresar al centro de servicio para reciclaje.

Recomendaciones de Almacenamiento

El mejor lugar de almacenamiento es aquel que es fresco y seco, alejado de la luz solar directa y del exceso de calor o frío. Guarde el paquete de batería completamente cargado fuera del cargador.

Instrucciones de Limpieza de Paquetes de Baterías

La suciedad y grasa se pueden retirar del exterior de la paquete de batería con una tela o cepillo no metálico suave. No use agua o ninguna solución de limpieza.

Paquetes de Baterías de Indicador de Combustible (Fig. B)

Algunos paquetes de batería incluyen un indicador de combustible. Cuando se presiona y sostiene el botón de indicador de combustible, las luces LED indicarán el nivel de carga aproximado restante. Éste no indica la funcionalidad de la herramienta y está sujeto a variación en base a los componentes del producto, la temperatura y la aplicación del usuario final.

Transporte



ADVERTENCIA: Riesgo de incendio. No guarde, transporte, o lleve el paquete de batería de forma que objetos de metal puedan tener contacto con las terminales expuestas de la batería. Por ejemplo, no coloque la batería en delantales, bolsillos, cajas de herramientas, cajas de juego de productos, cajones, etc., con clavos sueltos, tornillos, llaves, monedas, herramientas manuales, etc. Al transportar paquetes de baterías individuales, asegúrese que las terminales de la batería estén protegidas y bien aisladas de materiales que puedan entrar en contacto con ellas y causar un cortocircuito. **NOTA:** Los paquetes de batería de ion de litio no se deben colocar en equipaje de mano en aviones y se deben proteger adecuadamente contra corto circuito si están en el equipaje registrado.

El Sello RBRC®

Lleve sus paquetes de batería agotados a un centro de servicio autorizado CRAFTSMAN o a su minorista local para reciclarlas. En algunas áreas, es ilegal colocar paquetes de batería gastados en la basura. También puede comunicarse con su centro de reciclaje local para obtener información sobre dónde dejar el paquete de batería agotado. No las coloque en el reciclaje de la acera. Para información adicional visite www.call2recycle.org. O llame al número de larga distancia gratuito en el Sello RBRC®. RBRC® es una marca comercial registrada de Call 2 Recycle, Inc.



producto. La falla en seguir las advertencias e instrucciones puede resultar en descarga eléctrica, incendio y/o lesiones serias.

- **NO intente cargar el paquete de batería con cargadores diferentes al CRAFTSMAN.** CRAFTSMAN y los paquetes de batería están diseñados específicamente para funcionar juntos.
- **Estos cargadores no están destinados para ningún otro uso que no sea cargar CRAFTSMAN.** Cargar otros tipos de baterías puede causar que se sobrecalienten y exploten, resultando en lesiones personales, daño a la propiedad, incendio, descarga eléctrica o electrocución.
- **No exponga el cargador a la lluvia o la nieve.**
- **NO permita que agua o ningún otro líquido entre al cargador.**
- **Jale por el enchufe en lugar del cable cuando desconecte el cargador.** Esto reducirá el riesgo de daños al enchufe y cable eléctricos.
- **Asegúrese que el cable esté ubicado de forma que no pueda pisar, provoque tropiezos, o de otra forma esté sujeto a daño o esfuerzo.**
- **No use un cable de extensión a menos que sea absolutamente necesario.** El uso de un cable de extensión inadecuado podría resultar en riesgo de incendio, descarga eléctrica o electrocución.
- **Cuando opere un cargador al aire libre, proporcione siempre un lugar seco y use un cable de extensión adecuado para uso en exteriores.** El uso de un cable adecuado para uso en exteriores reduce el riesgo de descarga eléctrica.
- **Un cable de extensión debe tener un tamaño de cable adecuado (AWG o American Wire Gauge) por seguridad.** Cuanto menor es el número de calibre del cable, el cable será más pesado y por lo tanto su capacidad. Un cable de tamaño inferior causará una caída en el voltaje en línea que resulta en una pérdida de energía y sobrecalentamiento. La siguiente tabla muestra el tamaño correcto a usar dependiendo de la longitud total de todos los cables de extensión juntos, y la clasificación de amperes de la placa de identificación. Si tiene duda, use el calibre más pesado siguiente.

Calibre mínimo para juegos de cable

Voltios	Longitud total de cable en pies (metros)				
	25 (7.6)	50 (15.2)	100 (30.5)	150 (45.7)	
120V					
Clasificación de amperes	American Wire Gauge				
					Mayor a
0	6	18	16	16	14
6	10	18	16	14	12
10	12	16	16	14	12
12	16	14	12	No recomendado	

Instrucciones de Seguridad Importantes para Todos los Cargadores de Batería



ADVERTENCIA: Lea todas las advertencias de seguridad, instrucciones y marcas de precaución para el paquete de la batería, el cargador y el

- **No coloque ningún objeto encima del cargador ni coloque el cargador sobre una superficie blanda que pueda bloquear las ranuras de ventilación y provocar un calor interno excesivo.** Coloque el cargador en una posición lejos de cualquier fuente de calor. El cargador se

ventila a través de ranuras en la parte superior e inferior del alojamiento.

- **No opere el cargador con un cable o enchufe dañado.** Solicite que los replacen inmediatamente.
- **No opere el cargador si recibió un golpe fuerte, se dejó caer o se dañó de cualquier manera.** Llévelo a un centro de servicio autorizado.
- **No desensamble el cargador; llévelo a un centro de servicio autorizado cuando se requiera servicio o reparación.** El reensamble incorrecto puede resultar en un riesgo de descarga eléctrica, electrocución o incendio.
- **El cargador está diseñado para operar con corriente eléctrica doméstica estándar de 120V. No intente usarlo en ningún otro voltaje.** Esto no aplica al cargador de vehículos.
- **Los materiales extraños de naturaleza conductiva tales como, pero sin limitarse a, polvo de pulido, rebabas de metal, lana de acero, papel aluminio, o cualquier acumulación de partículas metálicas se deben mantener alejados de las cavidades y ranuras de ventilación del cargador.**
- **Siempre desconecte el cargador del suministro de energía cuando no haya paquete de baterías en la cavidad.**

Carga de la Batería (Fig. C, D)

1. Conecte el cargador en un tomacorriente apropiado.
2. Inserte y asiente completamente el paquete de batería. La luz de carga verde parpadeará continuamente mientras carga.
3. La carga es completa cuando la luz verde permanece encendida continuamente. El paquete de batería se puede dejar en el cargador o retirarse.
4. El cargador no cargará un paquete de batería defectuoso, lo que puede indicarse por la luz que permanece apagada. Lleve el cargador y el paquete de batería a un centro de servicio autorizado si la luz permanece apagada.

NOTA: Consulte la etiqueta cerca de la luz de carga en el cargador respecto a los patrones de parpadeo.

Demora de Paquete Caliente/Frío

Cuando el cargador detecta un paquete de batería que esté demasiado caliente o demasiado fría, comienza automáticamente una Demora de Paquete Caliente/Frío, suspendiendo la carga hasta que el paquete de batería alcance una temperatura apropiada. El cargador cambia automáticamente al modo de carga del paquete. Esta característica garantiza la vida máxima del paquete de batería.

Un paquete de batería frío puede cargar a un ritmo más lento que un paquete de batería caliente.

La demora de paquete caliente/frío se indicará por la luz verde que continúa parpadeando pero con la luz roja encendida continuamente. Una vez que la batería haya alcanzado la temperatura adecuada, la luz roja se apagará y el cargador reanudará el proceso de carga.

Sistema de Protección Electrónica

Las herramientas de ion de litio están diseñadas con un Sistema de Protección Electrónica que protegerá el paquete de batería contra sobrecarga, sobrecalentamiento o descarga profunda. La herramienta se apagará automáticamente y el paquete de batería se necesitará volver a cargar.

Notas Importantes de Carga

1. Se puede obtener una vida útil más larga y un mejor rendimiento si los paquetes de baterías se cargan **21** cuando la temperatura del aire está entre 18 °C - 24 °C (65 °F - 75 °F). NO cargue cuando la batería esté por debajo de +4,5 °C (+40 °F) o por encima de +40 °C (+104 °F). Esto es importante y evitará daños graves a la batería.
2. El cargador y el paquete de baterías pueden calentarse al tacto durante la carga. Esta es una condición normal y no indica un problema. Para facilitar el enfriamiento de la batería después de su uso, evite colocar el cargador o la batería en un ambiente cálido, como en un cobertizo de metal o un remolque sin aislamiento.
3. Si la batería no se carga correctamente:
 - a. Verifique la operación del receptáculo conectando una lámpara u otro aparato;
 - b. Revise si el receptáculo está conectado a un interruptor de luz que apegue la energía cuando apague las luces;
 - c. Si persisten los problemas de carga, lleve la herramienta, el paquete de batería y el cargador a su centro de servicio local.
4. Puede cargar un paquete parcialmente usado cuando lo desee sin ningún efecto adverso en el paquete de baterías.

Instrucciones de Limpieza de Cargador



ADVERTENCIA: Riesgo de descarga eléctrica.

Desconecte el cargador del tomacorriente CA antes de limpiar. La suciedad y grasa se pueden retirar del exterior del cargador con una tela o cepillo no metálico suave. No use agua o ninguna solución de limpieza.

Montaje en Pared

Algunos cargadores CRAFTSMAN están diseñados para poderse montar en pared o colocarse vertical sobre una mesa o superficie de trabajo. Si se monta en pared, localice el cargador dentro del alcance de un tomacorriente eléctrico, y lejos de una esquina u otras obstrucciones que puedan impedir el flujo de aire. Use la parte posterior del cargador como una plantilla para la ubicación de los tornillos de montaje en la pared. Instale el cargador firmemente con tornillos para tablaroca (adquiridos por separado) por lo menos de 25,4 mm (1") de largo, con un diámetro de cabeza de tornillo de 7–9 mm (0,28–0,35"), atornillados en madera a una profundidad óptima dejando aproximadamente 5,5 mm (7/32") de tornillo expuesto. Alinee las ranuras en la parte posterior del cargador con los tornillos expuestos y conéctelos completamente dentro de las ranuras.

NOTA: No intente montar el cargador CMCB102 debajo de un banco o mesa.

NOTA: Sólo instale el cargador CMCB101 con las luces de carga apuntadas hacia arriba hacia el techo.

VersaTrack™

⚠ ADVERTENCIA: No cargue las baterías mientras el cargador esté colgado en Trackwall.

Los cargadores CRAFTSMAN, excepto el CMCB101, se pueden almacenar en el VersaTrack™ Trackwall de CRAFTSMAN. Los ganchos y accesorios se venden por separado. Consulte la hoja de accesorios VersaTrack™ Trackwall para obtener más información.

NOTA: El cargador CMCB101 no es compatible con VersaTrack™ Trackwall de CRAFTSMAN.

CONSERVE ESTAS INSTRUCCIONES PARA USO FUTURO

ENSAMBLE Y AJUSTES

⚠ PELIGRO: Para reducir el riesgo de lesiones personales serias, apague la unidad y retire la llave de seguridad y el paquete de batería antes de realizar cualquier ajuste o retirar/instalar conexiones o accesorios. Un arranque accidental puede causar lesiones.

Ajustes de manija de un toque (Fig. E, F)

La podadora se envía en la posición de almacenamiento. Deberá ajustar la manija de un toque 1 a la posición de operación antes de continuar.

Levante la manija de un toque (Fig. E, F)

1. Para desbloquear al manija de un toque 1 de la posición de almacenamiento, apriete el botón de desbloqueo de manija 3.

NOTA: El botón de desbloqueo de manija 3 está ubicado en la parte posterior del soporte de manija 2.

NOTA: La manija principal 4 debe salir ligeramente de ambos lados de los tubos de la manija de un toque antes de levantar la manija de un toque 1 de la posición de almacenamiento como se muestra en la Fig. E.

2. Levante la manija de un toque 1 a la posición bloqueada. Escuche si hay un clic audible y asegúrese que la manija de un toque 1 esté bloqueada en posición antes de continuar.
3. Extienda la manija principal 4 hacia afuera hasta que se escuchen varios clics audibles. La manija de un toque 1 ahora está en la posición de operación.

NOTA: Tenga cuidado de no atrapar, jalar o de otra manera poner estrés al cable 23.

Ajuste de altura de manija principal (Fig. G)

La manija principal 4 se extiende para acomodarse a usuarios más altos.

1. Para extender la manija principal 4 a la posición de menor altura, presione el botón de liberación de manija 5 y jale la manija principal desde el soporte de manija 2 hasta que se escuche un clic audible, que indica que está bloqueado en la posición de menor altura.

NOTA: El botón de liberación de manija 5 está ubicado en la parte inferior del soporte de manija 2.

2. Para extender la manija principal 4 a la posición de mayor altura, presione el botón de liberación de manija 5 y jale la manija principal desde el soporte de manija 2 hasta que se escuche un clic audible, que indica que está bloqueado en la posición de mayor altura.
3. Asegúrese que la manija principal 4 se bloquee en posición antes de continuar.
4. Para retraer la manija principal 4 a la posición de altura menor, presione el botón de la manija principal 5 y empuje la manija principal 4 hacia el soporte de manija 2 hasta que se escuche un clic audible, que indica que está bloqueada en la posición de menor altura.
5. Asegúrese que la manija principal 4 se bloquee en posición antes de continuar.

Modo de almacenamiento (Fig. H—M)

⚠ PELIGRO: ASEGÚRESE QUE LA LLAVE DE SEGURIDAD SE EXTRAIGA PARA IMPEDIR LA ACTIVACIÓN ANTES DE RETIRAR O INSTALAR LA BATERÍA.

⚠ PELIGRO: Apague la unidad y retire la llave de seguridad y el paquete de batería.


1. Para retraer la manija principal 4, presione el botón de liberación de manija 5 y empuje la manija principal 4 hacia el soporte de manija 2 hasta que se escuchen dos clics audibles, que indican que ambos lados de las manijas se bloquean en posición. La manija principal 4 debe estar completamente asentada contra el soporte de manija.

NOTA: La manija principal 4 se debe conectar completamente en las ventanas de la manija 24. Si no se conectan como se muestra en la Fig. H, presione la manija principal 4 hacia el soporte de manija 2 hasta que se escuchen dos clics audibles y ambos lados de las ventanas de la manija 24 se cierran como se muestra en la Fig. I.

NOTA: Asegúrese que los dos seguros de almacenamiento 25 en la parte posterior de los tubos de la manija de un toque 1 salgan como se muestra en la Fig. K antes de bajar la manija de un toque 1 en la posición de almacenamiento.
2. Pliegue la manija de un toque 1 hacia las ruedas delanteras 27 en posición de almacenamiento. Escuche los dos clics audibles conforme los dos seguros de almacenamiento 25 se deslicen dentro de las ranuras de almacenamiento 26 como se muestra en la Fig. K.
3. Asegúrese que la manija de un toque 1 esté bloqueada en la posición de almacenamiento antes de continuar.
4. La podadora se puede almacenar verticalmente, con la bolsa de recolección retirada, u horizontal sobre sus ruedas como se muestra en la Fig. M.

NOTA: Tenga cuidado de no atrapar, jalar o de otra manera poner estrés al cable 23.

Bolsa de recolección de césped (Fig. N)

 **PELIGRO:** Apague la unidad y retire la llave de seguridad y el paquete de batería.

1. Levante la cubierta de la puerta trasera **15**, retire el enchufe de trituración **18**, y coloque la bolsa de recolección de césped **16** sobre la podadora de forma que las orejas de la bolsa **28** se deslicen dentro de las ranuras **29** sobre las superficies de plástico interiores de los soportes de la manija. Después baje la cubierta de puerta trasera **15**.


NOTA: Si está instalado, retire el conducto de descarga lateral trasera **19** y asegure que la cubierta de puerta trasera **15** esté completamente arriba antes de instalar la bolsa de recolección de césped **16**.

Triturado (Fig. O)

 **PELIGRO:** Apague la unidad y retire la llave de seguridad y el paquete de batería.

1. Para operar la podadora en modo de triturado, retire la bolsa de recolección de césped **16** o el conducto de descarga lateral **19**.
2. Levante la cubierta de puerta trasera **15** y deslice el enchufe de triturado **18** completamente dentro de la podadora.
3. Asegúrese que los pasadores **30** en el enchufe de triturado **18** se conecten a las ranuras **31** en la podadora como se muestra en la Fig. O.
4. Asegúrese que la cubierta de la puerta trasera **15** esté cerrada.

Descarga lateral (Fig. P)

 **PELIGRO:** Apague la unidad y retire la llave de seguridad y el paquete de batería.

1. Para operar la podadora en el modo de descarga lateral, retire la bolsa de recolección de césped **16**.
NOTA: Si está instalado, retire el enchufe de trituración **18**.
2. Levante la cubierta de puerta trasera **15** y enganche el conducto de descarga lateral trasera **19** en la podadora y conecte la ranura a la izquierda como se muestra en la Fig. P.
3. Libere la cubierta de puerta trasera **15** y verifique que el conducto de descarga lateral trasera **19** esté asegurado en su lugar antes de operar la podadora.

Ajuste de altura de la podadora (Fig. Q)

La altura de corte se ajusta mediante la palanca de ajuste de altura de corte **14**.

NOTA: Si no está seguro de qué altura podar, comience a podar con las palanca de ajuste de altura de corte **14** colocada en el ajuste mayor y ajuste la altura hacia abajo conforme sea necesario para su aplicación.

Para ajustar la altura del corte


1. Jale la palanca de ajuste de altura de corte **14** fuera de la muesca de bloqueo **56**.

2. Mueva la palanca de ajuste de altura de corte **14** hacia la parte posterior de la podadora para elevar la altura de corte.
3. Mueva la palanca de ajuste de altura de corte **14** hacia la parte delantera de la podadora para bajar la altura de corte.
4. Empuje la palanca de ajuste de altura de corte **14** hacia una de las muescas de bloqueo **56**.

Faros (Fig. A)


Los faros **20** siempre están encendidos cuando la cortadora de césped está encendida.

OPERACIÓN

 **PELIGRO:** Para reducir el riesgo de lesiones personales serias, apague la unidad y retire la llave de seguridad y el paquete de batería antes de realizar cualquier ajuste o retirar/instalar conexiones o accesorios. Un arranque accidental puede causar lesiones.

Posición Adecuada de las Manos (Fig. R)


 **ADVERTENCIA:** Para reducir el riesgo de lesión personal grave, tengo **SIEMPRE** las manos en una posición adecuada como se muestra.


 **ADVERTENCIA:** Para reducir el riesgo de lesión personal grave, sujete **SIEMPRE** bien en caso de que haya una reacción repentina.


La posición adecuada de las manos requiere que ambas manos sujeten la manija principal **4** y la manija de travesaño **8** juntas cuando no esté en modo de impulso automático; y ambas manos sujeten la manija principal, la manija de travesaño, y la palanca de impulso automático **9** juntas cuando esté en modo de impulso automático como se muestra en la Fig. R.


LEA ESTE MANUAL DE INSTRUCCIONES ANTES DE OPERAR SU PODADORA

Consulte la Fig. A al inicio de este manual respecto a una lista de componentes. Conserve este manual para referencia futura.

 **PELIGRO: Cuchilla móvil filosa.** No opere la podadora en modo de cobertura si la puerta trasera no está cerrada bajo la tensión del resorte, ya que podría ocasionar lesiones graves. Lleve su podadora al centro de servicio más cercano para repararla.

 **PELIGRO:** No opere la podadora a menos que la manija esté bloqueada en su posición.

 **PELIGRO: Cuchilla móvil filosa.** Nunca opere la podadora en el modo de embolsado a menos que las orejas de la bolsa en la bolsa de recolección de césped estén asentadas correctamente en la podadora y la puerta trasera descansa firmemente contra la parte superior de la bolsa de recolección de césped, ya que podría ocasionar lesiones graves.

 **PELIGRO: Cuchilla móvil filosa.** No opere la podadora en modo de descarga lateral a menos que el conducto de descarga lateral trasera esté instalado adecuadamente con la cubierta de puerta trasera apoyada firmemente contra ésta.

 **ADVERTENCIA:** Deje que la podadora funcione a su propio ritmo. No sobrecargue.

Instalación y desinstalación de paquetes de baterías (Fig. S, U)



PELIGRO: ASEGÚRESE QUE LA LLAVE DE SEGURIDAD SE EXTRAIGA PARA IMPEDIR LA ACTIVACIÓN ANTES DE RETIRAR O INSTALAR LA BATERÍA.

La podadora se apagará y el indicador de estado de carga **12** parpadeará si el paquete de batería alcanza el límite de alta temperatura, que puede ser ocasionado por cortar césped pesado. Si esto ocurre, permita que el paquete de batería se enfríe y después reanude el corte con la plataforma de la podadora colocada más arriba.

NOTA: Para mejores resultados, asegúrese que el paquete de batería esté completamente cargado.

NOTA: Para que la cortadora de césped funcione se necesitan ambos paquetes de baterías.

Para instalar los paquetes de baterías

1. Levante y sostenga la cubierta de puerto de batería **13** para exponer el puerto de batería **33**.
2. Deslice el paquete de batería **21** en el puerto de batería **33** hasta que se escuche un clic audible (Fig. S, U).
NOTA: Asegúrese que el paquete de batería esté completamente asentado y completamente asegurado en su posición.
3. Cierre la cubierta del puerto de batería **13**. Asegúrese que la cubierta del puerto de batería esté completamente cerrada antes de encender la podadora.

Para retirar los paquetes de baterías

1. Levante y sostenga la cubierta del puerto de batería **13** para exponer el puerto de batería **33**.
2. Presione el botón de liberación de batería **22** y jale el paquete de batería **21** fuera del puerto de batería.

Llave de seguridad (Fig. T)



PELIGRO: Cuchilla móvil filosa. Para evitar un arranque accidental o el uso no autorizado de su podadora inalámbrica, se ha incorporado una llave de seguridad extraíble en el diseño de su podadora. La podadora estará completamente deshabilitada cuando la llave de seguridad se retire de la podadora.



PELIGRO: Las cuchillas giratorias pueden causar lesiones serias. Para evitar lesiones graves, apague la unidad y retire la llave de seguridad y el paquete de baterías cuando esté desatendida, o cuando cargue, limpie, dé servicio, transporte, levante o guarde la podadora.

1. Inserte la llave de seguridad **6** en la ranura de la llave **34**, ubicada en la manija principal **4**, hasta que esté completamente asentada dentro de la ranura de llave **34** como se muestra en la Fig. T.
2. La podadora ahora es operativa.

Arranque de podadora (Fig. S, T)



PELIGRO: Cuchilla móvil filosa. Nunca intente anular la operación de la caja de interruptores

y sistema de llave de seguridad, ya que podría ocasionar lesiones graves.



ADVERTENCIA: Asegúrese que el accionamiento automático esté desactivado antes de arrancar la podadora.

NOTA: La podadora es operativa cuando el paquete de batería **21** y la llave de seguridad **6** están instalados.

1. Levante y sostenga la cubierta de puerto de batería **13** para exponer el puerto de batería **33**.
2. Deslice el paquete de batería **21** en el puerto de la batería **33** hasta que escuche un clic audible.
NOTA: Asegúrese que el paquete de batería esté completamente asentado y completamente asegurado en posición antes de arrancar la podadora.
3. Cierre la cubierta del puerto de batería **13**. Asegúrese que la cubierta del puerto de batería **13** esté completamente cerrada antes de encender la podadora.
4. Inserte la llave de seguridad **6** en la ranura de la llave **34**, ubicada en la manija principal **4**, hasta que esté completamente asentada dentro de la ranura de llave **34** como se muestra en la Fig. T.
5. Para arrancar las cuchillas de la podadora, continúe sosteniendo la manija de travesaño **8** a la manija principal **4** y después presione el botón de energía **11**.
NOTA: Una vez que la podadora arranque puede liberar el botón de energía **11**, pero debe continuar sosteniendo la manija de travesaño **8** a la manija principal **4** para que la podadora continúe funcionando.
6. Para APAGAR la podadora, libere la manija de travesaño **8**.



ADVERTENCIA: Nunca intente bloquear un interruptor o manija de travesaño en la posición ON.

NOTA: Una vez que la manija de travesaño **8** haya regresado a la posición original, activará el "Mecanismo de frenado automático". El motor se frena y las cuchillas de la podadora dejarán de girar en tres segundos o menos. Si las cuchillas de la podadora giran más de tres segundos, descontinúe el uso de la podadora y pida que se le dé servicio.

Sistema de accionamiento automático (Fig. V)



PELIGRO: Cuchilla móvil filosa. Nunca intente anular la operación de la caja de interruptores, el sistema de accionamiento automático, o el sistema de llave de seguridad, ya que podría ocasionar lesiones graves.

Su podadora está equipada con un sistema de accionamiento automático que funciona independientemente de las cuchillas de la podadora.

1. Para usar el accionamiento automático, presione la palanca de accionamiento automático **9** hacia la manija principal **4**.
2. Para apagar el accionamiento automático, libere la palanca de accionamiento automático **9**.

NOTA: Durante el corte, a veces puede ser más fácil maniobrar alrededor de un objeto, como un árbol o plantas, con el impulso automático apagado. La podadora se

puede utilizar fácilmente con el sistema de accionamiento automático apagado.

Carátula de ajuste de velocidad (Fig. W)



Su cortadora de césped está equipada con un dial de ajuste de velocidad **10** situado en el lado derecho del panel de la manija). Los números en la carátula de ajuste de velocidad **10** indican que tan rápido o lento el sistema de accionamiento automático impulsa la podadora. Elegir un número menor impulsa la podadora en una velocidad más lenta. Elegir un número mayor impulsa la podadora en una velocidad más rápida.

1. Para incrementar la velocidad del sistema de accionamiento automático, gire la carátula de ajuste de velocidad **10** hacia el icono de conejo **35**.
NOTA: La carátula de ajuste de velocidad **10** mostrará un número mayor.
2. Para disminuir la velocidad del sistema de accionamiento automático, gire la carátula de ajuste de velocidad **10** hacia el icono de tortuga **36**.
NOTA: La carátula de ajuste de velocidad **10** mostrará un número menor.

Sobrecarga de la podadora

Para evitar daños debido a condiciones de sobrecarga, no intente eliminar demasiada hierba a la vez. Disminuya la velocidad de corte o aumente la altura de corte.

Consejos para podar (Fig. A)

-  **ADVERTENCIA: SIEMPRE REVISE EL ÁREA DONDE SE DEBE UTILIZAR LA PODADORA Y RETIRE TODAS LAS PIEDRAS, PALOS, ALAMBRES, HUESOS Y OTROS ESCOMBROS QUE PUEDAN SER ARROJADOS POR LA CUCHILLA GIRATORIA.**
-  **ADVERTENCIA:** *Pode a través de la pendiente, nunca de arriba a abajo. Tenga extrema precaución cuando cambie de dirección en pendientes. No pode pendientes excesivamente empinadas (mayores a 15°). Siempre mantenga un buen equilibrio.*

- Suelte la manija de travesaño **8** para “apagar” la podadora cuando cruce cualquier área de grava (las piedras pueden ser arrojadas por la cuchilla).
- Coloque la podadora a la altura de corte más alta cuando corte en terreno irregular o en malezas altas. Retirar demasiada hierba a la vez puede causar que el motor se sobrecargue y se detenga.
- Si se usa una bolsa de recolección de césped **16** durante la temporada de crecimiento rápido, el césped puede tender a obstruirse en la abertura de descarga. Suelte la manija de travesaño para apagar la podadora, retire la llave de seguridad **6** y el paquete de la batería **21**. Retire la bolsa de recolección de césped **16** y agite el césped hasta el final de la bolsa. Limpie también cualquier hierba o escombros que pueda acumularse alrededor de la abertura de descarga. Vuelva a instalar la bolsa de recolección de césped **16**.
- Si la podadora comienza a vibrar anormalmente, suelte la manija de travesaño para apagar la podadora, retire

la llave de seguridad y el paquete de la batería. Revise inmediatamente la causa. La vibración es una advertencia de problemas. No opere la podadora hasta que se haya realizado una revisión de servicio.

- Para obtener los mejores resultados de corte, mantenga las cuchillas afiladas y equilibradas.
- Revise y limpie minuciosamente la podadora después de cada uso. Una plataforma con césped acumulado disminuirá el desempeño.
- Siempre suelte la manija de travesaño para apagar la podadora, retire la llave de seguridad y el paquete de batería cuando la deje desatendida incluso por un corto período de tiempo.


Las siguientes sugerencias lo ayudarán a obtener un tiempo de operación óptimo de su podadora inalámbrica:

- Reduzca su velocidad de corte en áreas donde la hierba es especialmente larga o gruesa.
- Evite cortar cuando la hierba está mojada por la lluvia o por el rocío.
- Corte su césped con frecuencia, especialmente durante períodos de gran crecimiento.



NOTA: Se recomienda que su paquete de batería se recargue después de su uso para prolongar la vida útil de la batería. La carga frecuente no dañará su paquete de batería y garantizará que el paquete de batería esté completamente cargado y listo para su próximo uso.

NOTA: El almacenamiento de un paquete de batería no cargada por completo acortará su vida útil.

MANTENIMIENTO

-  **PELIGRO:** *Para reducir el riesgo de lesiones personales serias, apague la unidad y retire la llave de seguridad y el paquete de batería antes de realizar cualquier ajuste o retirar/instalar conexiones o accesorios. Un arranque accidental puede causar lesiones.*

Desinstalación e instalación de cuchillas (Fig. X—DD)

-  **PELIGRO: RIESGO DE LESIONES.** *AL REENSAMBLAR EL SISTEMA DE LA CUCHILLA, ASEGÚRESE QUE CADA PARTES SE REINSTALA CORRECTAMENTE, COMO SE DESCRIBE A CONTINUACIÓN. UN ENSAMBLE INCORRECTO DE LAS CUCHILLAS U OTRAS PARTES DEL SISTEMA DE LA CUCHILLA PUEDE CAUSAR LESIONES GRAVES.*
-  **PELIGRO:** *Para reducir el riesgo de lesiones personales serias, apague la unidad, retire la llave de seguridad y el paquete de batería antes de realizar cualquier ajuste o retirar/instalar conexiones o accesorios. Un arranque accidental puede causar lesiones.*

Las cuchillas de repuesto están disponibles en su centro de servicio autorizado más cercano. Esta podadora requiere las cuchillas de repuesto: CMZMW221.

Corte una pieza de madera de 2" x 4" **37** (aproximadamente 2 pies de largo) (610 mm) para evitar que las cuchillas giren al retirar el perno del ensamble de cuchilla **38**.

⚠️ ADVERTENCIA: Use guantes y protección adecuada para los ojos. Ponga la podadora de lado. Tenga cuidado con los bordes afilados de las cuchillas.

1. Coloque la podadora sobre su lado, con dos ruedas planas sobre el suelo.
2. Coloque la madera de 2" x 4" **37** entre el ensamble de cuchilla **42** y el labio exterior de la plataforma como se muestra en la Fig. X para evitar que las cuchillas giren.
3. Desatornille y retire el perno del ensamble de cuchilla **38** en sentido contrario a las manecillas del reloj con una 9/16" (14 mm) llave **39** (no incluida) como se muestra en la Fig. X, Y.

4. Retire el espaciador con cuñas **40** y el ensamble de cuchilla **42** del eje de la cuchilla **44**.
5. Asegure el ensamble de cuchilla **42** en una prensa **43** como se muestra en la Fig. Z.
6. Desatornille las cuatro tuercas de cuchilla **46** en sentido contrario a las manecillas del reloj con una 9/16" (14 mm) llave **39** (no incluida) como se muestra en la Fig. Z. Primero desatornille las dos tuercas de la cuchilla **46** para la cuchilla **2 47** y retire la cuchilla **2**. Después desatornille las dos tuercas de cuchilla **46** para la cuchilla **1 48** y jale la cuchilla **1** del cubo de la cuchilla **49**.

NOTA: Las cuchillas de la podadora **47** y **48** tienen orificios de montaje con cuña **50** que les permiten instalarse únicamente en el cubo de la cuchilla **49** en la orientación correcta.

7. Revise todas las partes respecto a daños y reemplace si es necesario.
8. Instale las cuchillas afiladas o nuevas en el cubo de cuchilla **49** como se muestra en la Fig. AA, BB.
9. La cuchilla **1 48** se instala primero, los orificios de perno están alineados con los pasadores de cuchilla exteriores **51** y el orificio de montaje con cuña **50** en el cubo de la cuchilla **49** como se muestra en la Fig. AA. **NOTA:** Asegúrese que el orificio de montaje con cuña **50** se conecte a la cuña **52** sobre el cubo de cuchilla **49** como se muestra en la Fig. AA. La cuña **52** debe sobresalir de la cuchilla **1 48**.
10. La cuchilla **2 47** se instala en segundo lugar, los orificios de perno están alineados con los pernos de la cuchilla interior **53** y el orificio de montaje con cuña **50** sobre el cubo de cuchilla **49** como se muestra en la Fig. BB. **NOTA:** Asegúrese que el orificio de montaje con cuña **50** se conecte a la cuña **52** en el cubo de cuchilla **49** y se asiente al ras como se muestra en la Fig. BB. **NOTA:** Si la cuchilla **2 47** no está al ras con la cuña **52** en el cubo de cuchilla **49**, entonces las cuchillas se instalaron en el orden incorrecto y se deben invertir.
11. Enrosque las cuatro tuercas de cuchilla **46** sobre los pernos de la cuchilla **51** y **53** como se muestra en la Fig. AA, BB. Apriete a mano las cuatro tuercas de la cuchilla **46**.

NOTA: Cuando reemplace cuchillas afiladas o nuevas en el cubo de cuchilla **49** asegúrese que la parte inferior de la cuchilla marcada **Grass Side** (lado de césped) vea hacia el suelo cuando la podadora se regrese a su posición vertical normal.

12. Asegure el ensamble de cuchilla **42** en una prensa **43**. Apriete las cuatro tuercas de cuchilla **46** en sentido de las manecillas del reloj con una 9/16" (14 mm) llave **39** (no incluida). Apriete las cuatro tuercas de cuchilla **46** a 13-20 pies-lb.
13. En este orden, instale el ensamble de cuchilla **42** y el espaciador de cuña **40** sobre el eje de cuchilla **44** como se muestra en la Fig. CC. **NOTA:** Alinee las cuñas **41** en el espaciador con cuñas **40** con las ranuras de cuña **45** en el eje de cuchilla **44** como se muestra en la Fig. CC.
14. Instale el perno de ensamble de cuchilla **38** y apriete a mano.
15. Coloque la madera de 2" x 4" **37** entre el ensamble de cuchilla **42** y el labio exterior de la plataforma como se muestra en la Fig. DD para evitar que las cuchillas giren.
16. Apriete completamente el perno de ensamble de cuchilla **38** con una 9/16" (14 mm) llave **39** (no incluida). Apriete el perno de ensamble de cuchilla **38** a 37-50 pies-lb.
17. Regrese la podadora a su posición vertical normal.

Afilado de cuchillas

MANTENGA LA HOJA AFILADA PARA OBTENER EL MEJOR RENDIMIENTO DE LA PODADORA. UNA CUCHILLA SIN FILO NO CORTA LA HIERBA DE FORMA LIMPIA.

⚠️ ADVERTENCIA: Use guantes y protección adecuada para los ojos mientras retira, afila e instala las cuchillas. Asegúrese de quitar la llave de seguridad y el paquete de batería.

Afilar las cuchillas dos veces durante la temporada de poda suele ser suficiente en circunstancias normales. La arena hace que la cuchilla pierda filo rápidamente. Si su césped tiene tierra arenosa, es posible que se requiera un afilado más frecuente. **REEMPLACE INMEDIATAMENTE CUCHILLAS DOBLADAS O DAÑADAS.**

Al afilar una cuchilla:

- Asegúrese que la cuchilla permanezca balanceada.
- Afile las cuchillas en el ángulo de corte original.
- Afile los bordes de corte en ambos extremos de la cuchilla, eliminando cantidades iguales de material de ambos extremos.

Para afilar la cuchilla en una prensa de banco (Fig. EE)



1. Asegúrese de liberar la manija de travesaño, que las cuchillas se hayan detenido y que se hayan retirado la llave de seguridad y el paquete de batería antes de retirar las cuchillas.
2. Retire las cuchillas de la podadora. Consulte las instrucciones para **Instalación y desinstalación de cuchillas**.

- Asegure la cuchilla **47** o **48** en una prensa de banco **43**.
- Use guantes y protección adecuada para los ojos y tenga cuidado de no cortarse.
- Con cuidado, limpie los bordes de corte de la cuchilla con una lima de dientes finos **54** (no incluida) o piedra para afilar (no incluida), manteniendo el ángulo del borde de corte original.
- Verifique el balance de la cuchilla. Vea las instrucciones para **Balanceo de la cuchilla**.
- Vuelva a colocar las cuchillas en la podadora y apriete firmemente.

Balanceo de la cuchilla (Fig. FF)

Revise el balance de cada cuchilla **47** o **48** colocando el orificio de montaje con cuña **50** sobre un clavo o destornillador redondo **55**, sujeto horizontalmente en una prensa **43**. Si cualquier extremo de la cuchilla gira hacia abajo, lime a lo largo del borde afilado de ese extremo de caída. La cuchilla está correctamente equilibrada cuando ninguno de los extremos cae.


Limpieza (Fig. A)

-  **ADVERTENCIA:** *Sople la suciedad y polvo de todas las ventilas de aire con aire limpio y seco por lo menos una vez a la semana. Para minimizar el riesgo de lesiones oculares, siempre use protección para los ojos ANSI Z87.1 (CAN/CSA Z94.3) y protección respiratoria aprobada por NIOSH/OSHA/MSHA cuando realice esto.*
-  **ADVERTENCIA:** *Nunca use solventes u otros químicos fuertes para limpiar las partes no metálicas de la herramienta. Estos químicos pueden debilitar los materiales plásticos usados en estas partes. Use una tela humedecida únicamente con agua y jabón suave. Nunca permita que entre líquido a la herramienta; nunca sumerja ninguna parte de la herramienta en líquido.*

- Libere la manija de travesaño **8** para apagar la podadora, permita que las cuchillas se detengan.
- Retire el paquete de batería y la llave de seguridad.
- Limpie los recortes que puedan haberse acumulado en la parte inferior de la plataforma. No rocíe con agua o ningún otro líquido.
- Después de varios usos, verifique que todos los sujetadores expuestos estén apretados.

Corrosión (Fig. A)


Los fertilizantes y otros productos químicos para el jardín contienen agentes que aceleran en gran medida la corrosión de los metales. Si corta en áreas donde se han usado fertilizantes o productos químicos, la podadora se debe limpiar inmediatamente después de la siguiente manera: Suelte la manija de travesaño **8** para apagar la podadora y retire la batería y la llave de seguridad. Limpie todas las partes expuestas con un paño húmedo.

-  **ATENCIÓN:** *No vierta ni rocíe agua sobre la podadora para intentar limpiarla. No guarde la herramienta en o junto a fertilizantes o productos químicos. Tal almacenamiento puede causar una corrosión rápida.*

Cumple con los requisitos de seguridad de CPSC

CRAFTSMAN cumplen con las normas de seguridad del American National Standards Institute y la Comisión de Seguridad de los Productos del Consumidor de EUA. Las cuchillas giran cuando el motor de cuchilla está en operación.


Accesorios

-  **ADVERTENCIA:** *Ya que los accesorios, diferentes a los ofrecidos por CRAFTSMAN, no han sido probados con este producto, el uso de tales accesorios con esta herramienta podría ser peligroso. Para reducir el riesgo de lesiones, sólo se deben usar accesorios recomendados por CRAFTSMAN con este producto.*

Los accesorios recomendados para uso con su herramienta están disponibles por un costo adicional a partir de su distribuidor local o centro de servicio autorizado. Si necesita asistencia para localizar cualquier accesorio, póngase en contacto con CRAFTSMAN Llame al **1-888-331-4569**.

Reparaciones

El cargador y las unidades de batería no pueden ser reparados. El cargador y la unidad de batería no contienen piezas reparables.

-  **ADVERTENCIA:** *Para asegurar la SEGURIDAD y la CONFIABILIDAD del producto, las reparaciones, el mantenimiento y los ajustes (inclusive la inspección y el cambio de las escobillas, cuando proceda) deben ser realizados en un centro de mantenimiento en la fábrica CRAFTSMAN u en un centro de mantenimiento autorizado CRAFTSMAN. Utilice siempre piezas de repuesto idénticas.*

Para reparación y servicio de sus herramientas eléctricas, favor de dirigirse al Centro de Servicio más cercano

CULIACAN, SIN

Blvd. Emiliano Zapata 5400-1 Poniente Col. (667) 717 89 99
San Rafael

GUADALAJARA, JAL

Av. La Paz #1779 - Col. Americana Sector (33) 3825 6978
Juárez

MEXICO, D.F.

Eje Central Lázaro Cárdenas No. 18 - Local (55) 5588 9377
D, Col. Obrera

MERIDA, YUC

Calle 63 #459-A - Col. Centro (999) 928 5038

MONTERREY, N.L.

Av. Francisco I. Madero 831 Poniente - Col. (818) 375 23 13
Centro

PUEBLA, PUE

17 Norte #205 - Col. Centro (222) 246 3714

QUERETARO, QRO

Av. San Roque 274 - Col. San Gregorio (442) 2 17 63 14

SAN LUIS POTOSI, SLP

Av. Universidad 1525 - Col. San Luis (444) 814 2383

TORREON, COAH

Blvd. Independencia, 96 Pte. - Col. Centro (871) 716 5265

VERACRUZ, VER

Prolongación Díaz Mirón #4280 - Col. Remes (229) 921 7016

VILLAHERMOSA, TAB

Constitución 516-A - Col. Centro (993) 312 5111

PARA OTRAS LOCALIDADES:**Si se encuentra en México, por favor llame al (55) 5326 7100****Si se encuentra en U.S., por favor llame al
1-888-331-4569****Póliza de Garantía****IDENTIFICACIÓN DEL PRODUCTO:**

Sello o firma del Distribuidor.

Nombre del producto: _____

Mod./Cat.: _____

Marca: _____

Núm. de serie: _____

(Datos para ser llenados por el distribuidor)

Fecha de compra y/o entrega del producto:

Nombre y domicilio del distribuidor donde se adquirió el producto:

Este producto está garantizado por un año a partir de la fecha de entrega, contra cualquier defecto en su funcionamiento, así como en materiales y mano de obra empleados para su fabricación. Nuestra garantía incluye la reparación o reposición del producto y/o componentes sin cargo alguno para el cliente, incluyendo mano de obra, así como los gastos de transportación razonablemente erogados derivados del cumplimiento de este certificado.

Para hacer efectiva esta garantía deberá presentar su herramienta y esta póliza sellada por el establecimiento comercial donde se adquirió el producto, de no contar con ésta, bastará la factura de compra.

Excepciones

Esta garantía no será válida en los siguientes casos:

- Cuando el producto se hubiese utilizado en condiciones distintas a las normales;
- Cuando el producto no hubiese sido operado de acuerdo con el instructivo de uso que se acompaña;
- Cuando el producto hubiese sido alterado o reparado por personas distintas a las enlistadas al final de este certificado.

Anexo encontrará una relación de sucursales de servicio de fábrica, centros de servicio autorizados y franquiciados en la República Mexicana, donde podrá hacer efectiva su garantía y adquirir partes, refacciones y accesorios originales.

Solamente para propósito de México:
Importado por: CRAFTSMAN S.A de C.V.
Antonio Dovali Jaime #70 Torre C Piso 8
Col. Santa Fe Alvaro Obregon,
Ciudad de Mexico, Mexico.
C.P 01210
TEL(52) 55 53267100
R.F.C.BDE8106261W7

Registro en Línea

Gracias por su compra. Registre su producto ahora para:

- **SERVICIO EN GARANTÍA:** Si completa esta tarjeta, podrá obtener un servicio en garantía más eficiente, en caso de que exista un problema con su producto.
- **CONFIRMACIÓN DE PROPIEDAD:** En caso de una pérdida que cubra el seguro, como un incendio, una inundación o un robo, el registro de propiedad servirá como comprobante de compra.
- **PARA SU SEGURIDAD:** Si registra el producto, podremos comunicarnos con usted en el caso improbable que se deba enviar una notificación de seguridad conforme a la Federal Consumer Safety Act (Ley Federal de Seguridad de Productos para el Consumidor).

Registro en línea en www.craftsman.com/account/login.**Garantía limitada de tres años**Para las condiciones de garantía, visite www.craftsman.com/support/warranty.

Para solicitar una copia escrita de los términos de garantía, póngase en contacto con: Servicio al cliente en CRAFTSMAN, 701 East Joppa Road, Towson, MD 21286 o llame al **1-888-331-4569**.

AMÉRICA LATINA: Esta garantía no aplica a productos vendidos en América Latina. Para productos vendidos en América Latina, consulte la información de garantía específica contenida en el empaque, llame a la compañía local o consulte la página de Internet respecto a la información de garantía.

REEMPLAZO GRATUITO DE ETIQUETA DE GARANTÍA:

Si sus etiquetas de advertencia se vuelven ilegibles o se pierden, llame al **1-888-331-4569** para un reemplazo gratuito.

GUÍA DE SOLUCIÓN DE PROBLEMAS



PELIGRO: Para reducir el riesgo de lesiones personales serias, apague la unidad y retire la llave de seguridad y los paquetes de batería antes de realizar cualquier ajuste o retirar/instalar conexiones o accesorios. Un arranque accidental puede causar lesiones.

Para asistencia con su producto, llame a CRAFTSMAN a 1-888-331-4569.

PROBLEMA	SOLUCIÓN
La podadora no funciona cuando se activa la manija de travesaño	<p>Verifique que la llave de seguridad se haya instalado y esté completamente asentada y que se haya presionado el botón de energía.</p> <p>Suelte la manija de travesaño. Apague la podadora. Retire la llave de seguridad y los paquetes de baterías. Voltee la podadora y verifique que las cuchillas giren libremente.</p> <p>Verifique que el puerto de la batería no tenga residuos y que esté conectado correctamente.</p> <p>¿Se ha cargado completamente la batería? Pulse el botón de estado de carga de la batería.</p> <p>¿El indicador del estado de carga de la batería está en rojo fijo (Fig. U)? Cargue la batería.</p> <p>¿El indicador del estado de carga de la batería está parpadeando en rojo (Fig. U)?</p> <ul style="list-style-type: none"> • Compruebe el estado de carga del/de los paquete(s) de baterías: Si el/los paquete(s) de baterías está(n) agotado(s), recárguelo(s). • Compruebe el estado de carga del/de los paquete(s) de baterías: Si no está(n) agotado(s), el/los paquete(s) de baterías está(n) sobrecalentado(s) y se ha(n) apagado. Deje enfriar el/los paquete(s) de baterías y reanude el corte.
El motor de la cuchilla se detiene al cortar	<p>Suelte la manija de travesaño. Apague la podadora. Retire la llave de seguridad y los paquetes de baterías. Voltee la podadora y verifique que las cuchillas giren libremente.</p> <p>Eleve la altura de corte de las ruedas a la posición más alta y arranque la podadora.</p> <p>Verifique que el puerto de la batería no tenga residuos.</p> <p>¿Se ha cargado completamente la batería? Pulse el botón de estado de carga de la batería.</p> <p>Evite sobrecargar la podadora. Reduzca la velocidad de corte o aumente la altura de corte.</p>
La manija de un toque 1 no se bloqueará en la posición de almacenamiento	<p>Asegúrese que los dos seguros de almacenamiento 25 en la parte inferior de los tubos de la manija de un toque 1 sobresalgan hacia afuera antes de bajar la manija de un toque 1 en la posición de almacenamiento.</p> <p>La manija principal 4 debe conectarse completamente en las ventanas de la manija 24. Si no se conectan como se muestra en la Fig. H, presione la manija principal 4 hacia el soporte de manija 2 hasta que se escuchen dos clics audibles y ambos lados de las ventanas de manija 24 estén cerradas como se muestra en la Fig. I.</p>
El motor de impulso automático se detiene mientras trabaja	<p>Apague la energía de la podadora de impulso automático.</p> <p>Limpie el alojamiento del motor de impulso automático de escombros.</p> <p>Compruebe que las ruedas giren libremente.</p>
La podadora funciona, pero el desempeño de corte no es satisfactorio, o no corta todo el césped	<p>¿Se ha cargado completamente la batería? Pulse el botón de estado de carga de la batería.</p> <p>Libere la manija de travesaño para apagar la podadora. Retire la llave de seguridad y los paquetes de baterías. Voltee la cortadora y verifique:</p> <ul style="list-style-type: none"> • Filo de las cuchillas: mantenga las cuchillas afiladas. • Cubierta y plataforma de descarga respecto a obstrucción. <p>El ajuste de la altura de la rueda puede ser demasiado bajo para la condición de la hierba. Eleve la altura de corte.</p>
La podadora es muy difícil de empujar	<p>Libere la manija de travesaño para apagar la podadora. Retire la llave de seguridad y los paquetes de baterías. Aumente la altura de corte para reducir la resistencia de la plataforma en el césped. Verifique que cada rueda tenga rotación libre.</p>
La podadora es anormalmente ruidosa y vibra	<p>Libere la manija de travesaño para apagar la podadora. Retire la llave de seguridad y los paquetes de baterías. Voltee la podadora a un lado y revise la cuchilla para asegurarse de que no esté doblada ni dañada. Si la cuchilla está dañada, reemplace con una cuchilla CRAFTSMAN de reemplazo. Si la parte inferior de la plataforma está dañada, devuelva la podadora a un centro de servicio CRAFTSMAN Autorizado.</p> <p>Si no hay daños visibles en la cuchilla y la cortadora aún vibra: Libere la manija de travesaño para apagar la podadora. Retire la llave de seguridad y los paquetes de baterías. Desensamble todo el ensamble de cuchilla como se describe en la sección Desinstalación e instalación de cuchilla. Retire cualquier suciedad y limpie cada pieza. Reemplace cada pieza como se describe en la sección Desinstalación e instalación de cuchilla. Si la podadora aún vibra, devuelva la podadora a un centro de servicio CRAFTSMAN autorizado.</p>
La podadora no recoge recortes con la bolsa	<p>Conducto obstruido. Libere la manija de travesaño para apagar la podadora. Retire la llave de seguridad y los paquetes de baterías. Limpie el conducto de recortes de césped.</p> <p>Aumente la altura de corte de las ruedas para acortar la longitud del corte.</p> <p>Bolsa llena. Vacíe la bolsa más a menudo.</p>

CRAFTSMAN

Compatible battery packs and chargers / Blocs-piles et chargeurs compatibles / Baterías y cargadores compatibles

20V Max* Li-Ion	Battery Packs	
	Blocs-piles	CMCB201, CMCB202, CMCB204, CMCB2015, CMCB205, CMCB206, CMCB209, CMCB2011
	Baterías	
	Chargers	
	Chargeurs	CMCB100, CMCB101, CMCB102, CMCB104, CMCB1104, CMCB124
	Cargadores	

* Maximum initial battery voltage (measured without a workload) is 20 volts. Nominal voltage is 18.

* La tension initiale maximum du bloc-piles (mesurée à vide) est de 20 volts. La tension nominale est de 18.

* El máximo voltaje inicial de la batería (medido sin carga de trabajo) es 20 voltios. El voltaje nominal es de 18.



WARNING: Use of any other battery packs may create a risk of injury and fire.



AVERTISSEMENT : utiliser d'autres blocs-piles peut créer un risque de blessure ou d'incendie.



ADVERTENCIA: El uso de cualquier otro paquete de batería puede crear un riesgo de lesiones e incendio.

NOTE: DO NOT charge when the battery pack is below 40° F (4.5° C) or above 104° F (40° C). Do not store or use the tool and battery pack in locations where the temperature may reach or exceed 104° F (40° C).

REMARQUE : NE PAS charger lorsque le bloc-piles est en dessous de 4,5° C (40° F) ou au-dessus de 40° C (104° F). Ne pas entreposer ou utiliser l'outil et le bloc-piles dans des endroits où la température peut atteindre ou excéder 40° C (104° F).

NOTA: NO cargue cuando el paquete de batería esté debajo de 4,5° C (40° F), o arriba de 40° C (104° F). No almacene ni use la herramienta y el paquete de baterías en lugares donde la temperatura pueda alcanzar o exceder los 40° C (104° F).