

*If you have questions or comments, contact us.
Pour toute question ou tout commentaire, nous contacter.
Si tiene dudas o comentarios, contáctenos.*

1-800-4-DEWALT • www.dewalt.com

**INSTRUCTION MANUAL
GUIDE D'UTILISATION
MANUAL DE INSTRUCCIONES**

INSTRUCTIVO DE OPERACIÓN, CENTROS DE SERVICIO Y PÓLIZA DE GARANTÍA. **ADVERTENCIA:** LÉASE ESTE INSTRUCTIVO ANTES DE USAR EL PRODUCTO.

DEWALT®

**DC351
Heavy-Duty 28V Cordless Track Saw
Scie à rail industrielle sans fil 28V
Sierra de Incisión, de trabajo pesado a 28 V inalámbrica**



Definitions: Safety Guidelines

The definitions below describe the level of severity for each signal word. Please read the manual and pay attention to these symbols.

⚠ DANGER: Indicates an imminently hazardous situation which, if not avoided, **will** result in **death or serious injury**.

⚠ WARNING: Indicates a potentially hazardous situation which, if not avoided, **could** result in **death or serious injury**.

⚠ CAUTION: Indicates a potentially hazardous situation which, if not avoided, **may** result in **minor or moderate injury**.

CAUTION: Used without the safety alert symbol indicates a potentially hazardous situation which, if not avoided, **may** result in **property damage**.

IF YOU HAVE ANY QUESTIONS OR COMMENTS ABOUT THIS OR ANY DEWALT TOOL, CALL US TOLL FREE AT: 1-800-4-DEWALT (1-800-433-9258).



⚠ WARNING: To reduce the risk of injury, read the instruction manual.

GENERAL POWER TOOL SAFETY WARNINGS

⚠ WARNING! Read all safety warnings and instructions. Failure to follow the warnings and instructions may result in electric shock, fire and/or serious injury.

SAVE ALL WARNINGS AND INSTRUCTIONS FOR FUTURE REFERENCE

The term "power tool" in the warnings refers to your mains-operated (corded) power tool or battery-operated (cordless) power tool.

1) WORK AREA SAFETY

- a) **Keep work area clean and well lit.** Cluttered or dark areas invite accidents.
- b) **Do not operate power tools in explosive atmospheres, such as in the presence of flammable liquids, gases or dust.** Power tools create sparks which may ignite the dust or fumes.
- c) **Keep children and bystanders away while operating a power tool.** Distractions can cause you to lose control.

2) ELECTRICAL SAFETY

- a) **Power tool plugs must match the outlet. Never modify the plug in any way. Do not use any adapter plugs with earthed (grounded) power tools.** Unmodified plugs and matching outlets will reduce risk of electric shock.
- b) **Avoid body contact with earthed or grounded surfaces such as pipes, radiators, ranges and refrigerators.** There is an increased risk of electric shock if your body is earthed or grounded.
- c) **Do not expose power tools to rain or wet conditions.** Water entering a power tool will increase the risk of electric shock.
- d) **Do not abuse the cord. Never use the cord for carrying, pulling or unplugging the power tool. Keep cord away from heat, oil, sharp edges or moving parts.** Damaged or entangled cords increase the risk of electric shock.
- e) **When operating a power tool outdoors, use an extension cord suitable for outdoor use.** Use of a cord suitable for outdoor use reduces the risk of electric shock.

- f) ***If operating a power tool in a damp location is unavoidable, use a ground fault circuit interrupter (GFCI) protected supply. Use of a GFCI reduces the risk of electric shock.***

3) PERSONAL SAFETY

- a) ***Stay alert, watch what you are doing and use common sense when operating a power tool. Do not use a power tool while you are tired or under the influence of drugs, alcohol or medication. A moment of inattention while operating power tools may result in serious personal injury.***
- b) ***Use personal protective equipment. Always wear eye protection. Protective equipment such as dust mask, non-skid safety shoes, hard hat, or hearing protection used for appropriate conditions will reduce personal injuries.***
- c) ***Prevent unintentional starting. Ensure the switch is in the off position before connecting to power source and/or battery pack, picking up or carrying the tool. Carrying power tools with your finger on the switch or energising power tools that have the switch on invites accidents.***
- d) ***Remove any adjusting key or wrench before turning the power tool on. A wrench or a key left attached to a rotating part of the power tool may result in personal injury.***
- e) ***Do not overreach. Keep proper footing and balance at all times. This enables better control of the power tool in unexpected situations.***
- f) ***Dress properly. Do not wear loose clothing or jewellery. Keep your hair, clothing and gloves away from moving parts. Loose clothes, jewellery or long hair can be caught in moving parts.***
- g) ***If devices are provided for the connection of dust extraction and collection facilities, ensure these are connected and properly used. Use of dust collection can reduce dust-related hazards.***

4) POWER TOOL USE AND CARE

- a) ***Do not force the power tool. Use the correct power tool for your application. The correct power tool will do the job better and safer at the rate for which it was designed.***
- b) ***Do not use the power tool if the switch does not turn it on and off. Any power tool that cannot be controlled with the switch is dangerous and must be repaired.***
- c) ***Disconnect the plug from the power source and/or the battery pack from the power tool before making any adjustments, changing accessories, or storing power tools. Such preventive safety measures reduce the risk of starting the power tool accidentally.***
- d) ***Store idle power tools out of the reach of children and do not allow persons unfamiliar with the power tool or these instructions to operate the power tool. Power tools are dangerous in the hands of untrained users.***
- e) ***Maintain power tools. Check for misalignment or binding of moving parts, breakage of parts and any other condition that may affect the power tool's operation. If damaged, have the power tool repaired before use. Many accidents are caused by poorly maintained power tools.***
- f) ***Keep cutting tools sharp and clean. Properly maintained cutting tools with sharp cutting edges are less likely to bind and are easier to control.***
- g) ***Use the power tool, accessories and tool bits etc., in accordance with these instructions taking into account the working conditions and the work to be performed. Use of the power tool for operations different from those intended could result in a hazardous situation.***

5) BATTERY TOOL USE AND CARE

- a) ***Recharge only with the charger specified by the manufacturer. A charger that is suitable for one type***

of battery pack may create a risk of fire when used with another battery pack.

- b) **Use power tools only with specifically designated battery packs.** Use of any other battery packs may create a risk of injury and fire.
- c) **When battery pack is not in use, keep it away from other metal objects like paper clips, coins, keys, nails, screws, or other small metal objects that can make a connection from one terminal to another.** Shorting the battery terminals together may cause burns or a fire.
- d) **Under abusive conditions, liquid may be ejected from the battery, avoid contact. If contact accidentally occurs, flush with water. If liquid contacts eyes, additionally seek medical help.** Liquid ejected from the battery may cause irritation or burns.

6) SERVICE

- a) **Have your power tool serviced by a qualified repair person using only identical replacement parts.** This will ensure that the safety of the power tool is maintained.

ADDITIONAL SPECIFIC SAFETY RULES

Safety Instructions for All Saws

- a) **⚠ DANGER: Keep hands away from cutting area and the blade. Keep your second hand on auxiliary handle, or motor housing.** If both hands are holding the saw, they cannot be cut by the blade.
- b) **Do not reach underneath the workpiece.** The guard cannot protect you from the blade below the workpiece.
- c) **Adjust the cutting depth to the thickness of the workpiece.** Less than a full tooth of the blade teeth should be visible below the workpiece.

- d) **Never hold piece being cut in your hands or across your leg. Secure the workpiece to a stable platform.** It is important to support the work properly to minimize body exposure, blade binding, or loss of control.
- e) **Hold power tool by insulated gripping surfaces when performing an operation where the cutting tool may contact hidden wiring or its own cord.** Contact with a "live" wire will also make exposed metal parts of the power tool "live" and shock the operator.
- f) **When ripping always use a rip fence or straight edge guide.** This improves the accuracy of cut and reduces the chance of blade binding.
- g) **Always use blades with correct size and shape (diamond versus round) of arbor holes.** Blades that do not match the mounting hardware of the saw will run eccentrically, causing loss of control.
- h) **Never use damaged or incorrect blade washers or bolt.** The blade washers and bolt were specially designed for your saw, for optimum performance and safety of operation.

CAUSES AND OPERATOR PREVENTION OF KICKBACK

- Kickback is a sudden reaction to a pinched, bound or misaligned saw blade, causing an uncontrolled saw to lift up and out of the workpiece toward the operator.
- When the blade is pinched or bound tightly by the kerf closing down, the blade stalls and the motor reaction drives the unit rapidly back toward the operator.
- If the blade becomes twisted or misaligned in the cut, the teeth at the back edge of the blade can dig into the top surface of the wood causing the blade to climb out of the kerf and jump back toward operator.

Kickback is the result of tool misuse and/or incorrect operating procedures or conditions and can be avoided by taking proper precautions as given below:

- a) **Maintain a firm grip with both hands on the saw and position your body and arm to allow you to resist kickback forces.** Kickback forces can be controlled by the operator, if proper precautions are taken.
- b) **When blade is binding, or when interrupting a cut for any reason, release the trigger and hold the saw motionless in the material until the blade comes to a complete stop. Never attempt to remove the saw from the work or pull the saw backward while the blade is in motion or kickback may occur.** Investigate and take corrective actions to eliminate the cause of blade binding.
- c) **When restarting a saw in the workpiece, center the saw blade in the kerf and check that the saw teeth are not engaged into the material.** If saw blade is binding, it may walk up or kickback from the workpiece as the saw is restarted.
- d) **Support large panels to minimize the risk of blade pinching and kickback.** Large panels tend to sag under their own weight. Support must be placed under the panel on both sides, near the line of cut and near the edge of the panel.
- e) **Do not use dull or damaged blade.** Unsharpened or improperly set blades produce narrow kerf causing excessive friction, blade binding, and kickback.
- f) **Blade depth and bevel adjusting locking levers must be tight and secure before making cut.** If blade adjustment shifts while cutting, it may cause binding and Kickback.
- g) **Use extra caution when making a "Plunge Cut" into existing walls or other blind areas.** The protruding blade may cut objects that can cause kickback.

Safety Instructions for Plunge-Type Saws

- a) **Check guard for proper closing before each use. Do not operate the saw if guard does not move freely and enclose the blade instantly. Never clamp or tie the guard with the blade exposed.** If saw is accidentally dropped, guard may be bent. Check to make sure that guard moves freely and does not touch the blade or any other part, in all angles and depths of cut.
- b) **Check the operation and condition of the guard return spring. If the guard and the spring are not operating properly, they must be serviced before use.** Guard may operate sluggishly due to damaged parts, gummy deposits, or a build-up of debris.
- c) **Assure that the guide plate of the saw will not shift while performing the "plunge cut" when the blade bevel setting is not at 90°.** Blade shifting sideways will cause binding and likely kickback.
- d) **Always observe that the guard is covering the blade before placing saw down on bench or floor.** An unprotected, coasting blade will cause the saw to walk backwards, cutting whatever is in its path. Be aware of the time it takes for the blade to stop after switch is released.

Additional Safety Instructions for All Saws with Riving Knife

- a) **Use the appropriate riving knife for the blade being used.** For the riving knife to work, it must be thicker than the body of the blade but thinner than the tooth set of the blade.
- b) **Adjust the riving knife as described in this instruction manual.** Incorrect spacing, positioning and alignment can make the riving knife ineffective in preventing kickback.

- c) **Always use the riving knife except when plunge cutting.** Riving knife must be replaced after plunge cutting. Riving knife causes interference during plunge cutting and can create kickback. Model DC351 does not require removal of the riving knife because the riving knife retracts during a plunge cut.
- d) **For the riving knife to work, it must be engaged in the workpiece.** The riving knife is ineffective in preventing kickback during short cuts.
- e) **Do not operate the saw if riving knife is bent.** Even a light interference can slow the closing rate of a guard.

Additional Safety Instructions for Saws

- **Wear ear protectors.** Exposure to noise can cause hearing loss.
- **Wear a dust mask.** Exposure to dust particles can cause breathing difficulty and possible injury.
- **Use only recommended blades.** The saw is designed for use with 6-1/2" (165 mm) diameter blades that have a 0.79" (20 mm) diameter bore. Blades must be rated for 6000 RPM operation (or higher).
- **Never use abrasive cut-off wheels.**
- **Keep your body positioned to either side of the blade, but not in line with the saw blade.** Kickback could cause the saw to jump backwards (see Causes and Operator Prevention of Kickback and Kickback).
- **CAUTION:** Blades coast after turn off. Serious personal injury may result.
- **Avoid cutting nails. Inspect for and remove all nails from lumber before cutting.**

EXTENSION CORDS

An extension cord must have adequate wire size (AWG or American Wire Gauge) for safety. The smaller the gauge number

of the wire, the greater the capacity of the cable, that is 16 gauge has more capacity than 18 gauge. An undersized cord will cause a drop in line voltage resulting in loss of power and overheating. When using more than one extension to make up the total length, be sure each individual extension contains at least the minimum wire size. The following table shows the correct size to use depending on cord length and nameplate ampere rating. If in doubt, use the next heavier gauge. The smaller the gauge number, the heavier the cord.

MINIMUM GAUGE FOR CORD SETS						
Ampere Rating		Volts	Total Length of Cord in Feet (meters)			
		120V	25 (7.6)	50 (15.2)	100 (30.5)	150 (45.7)
		240V	50 (15.2)	100 (30.5)	200 (61.0)	300 (91.4)
More Than	Not More Than	AWG				
0	6		18	16	16	14
6	10		18	16	14	12
10	12		16	16	14	12
12	16		14	12	Not Recommended	

- **Air vents often cover moving parts and should be avoided.** Loose clothes, jewellery or long hair can be caught in moving parts.
 - **Accessories must be rated for at least the speed recommended on the tool warning label.** Accessories running over rated speed can fly apart and cause injury. Accessory ratings must always be above tool speed as shown on tool nameplate.
- ⚠ WARNING: ALWAYS wear proper personal hearing protection that conforms to ANSI S12.6 (S3.19) during use.** Under some conditions and duration of use, noise from this product may contribute to hearing loss.

⚠ WARNING: ALWAYS use safety glasses. Everyday eyeglasses are NOT safety glasses. Also use face or dust mask if cutting operation is dusty. ALWAYS WEAR CERTIFIED SAFETY EQUIPMENT:

- ANSI Z87.1 eye protection (CAN/CSA Z94.3),
- ANSI S12.6 (S3.19) hearing protection,
- NIOSH/OSHA/MSHA respiratory protection.

⚠ WARNING: Some dust created by power sanding, sawing, grinding, drilling, and other construction activities contains chemicals known to cause cancer, birth defects or other reproductive harm. Some examples of these chemicals are:

- lead from lead-based paints,
- crystalline silica from bricks and cement and other masonry products, and
- arsenic and chromium from chemically-treated lumber (CCA).

Your risk from these exposures varies, depending on how often you do this type of work. To reduce your exposure to these chemicals: work in a well ventilated area, and work with approved safety equipment, such as those dust masks that are specially designed to filter out microscopic particles.

- **Avoid prolonged contact with dust from power sanding, sawing, grinding, drilling, and other construction activities. Wear protective clothing and wash exposed areas with soap and water.** Allowing dust to get into your mouth, eyes, or lay on the skin may promote absorption of harmful chemicals.

⚠ WARNING: Use of this tool can generate and/or disburse dust, which may cause serious and permanent respiratory or other injury. Always use NIOSH/OSHA approved respiratory protection appropriate for the dust exposure. Direct particles away from face and body.

- The label on your tool may include the following symbols. The symbols and their definitions are as follows:

V	volts	A.....	amperes
Hz	hertz	W.....	watts
min	minutes	~	alternating current
— — —	direct current	⎓	alternating or direct current
Ⓜ	Class I Construction (grounded)	n _o	no load speed
Ⓜ	Class II Construction (double insulated)	Ⓧ	earthing terminal
Ⓜ	per minute	▲	safety alert symbol
.../min ...	per minute	BPM..	beats per minute
		RPM..	revolutions per minute

Important Safety Instructions for Battery Chargers

SAVE THESE INSTRUCTIONS: This manual contains important safety instructions for battery chargers.

- Before using charger, read all instructions and cautionary markings on charger, battery pack, and product using battery pack.

⚠ WARNING: Shock hazard. Do not allow any liquid to get inside charger.

⚠ CAUTION: Burn hazard. To reduce the risk of injury, charge only DEWALT batteries. Other types of batteries may burst causing personal injury and damage.

⚠ CAUTION: Under certain conditions, with the charger plugged in to the power supply, the charger can be shorted by foreign material. Foreign materials of a conductive nature such as, but not limited to, steel wool, aluminum foil, or any buildup of metallic particles should be kept away from charger cavities. Always unplug the charger from the power supply when there is no battery pack in the cavity. Unplug charger before attempting to clean.

- **DO NOT attempt to charge the battery pack with any chargers other than the ones in this manual.** The charger and battery pack are specifically designed to work together.
- **These chargers are not intended for any uses other than charging DEWALT rechargeable batteries.** Any other uses may result in risk of fire, electric shock or electrocution.
- **Do not expose charger to rain or snow.**
- **Pull by plug rather than cord when disconnecting charger.** This will reduce risk of damage to electric plug and cord.
- **Make sure that cord is located so that it will not be stepped on, tripped over, or otherwise subjected to damage or stress.**
- **Do not use an extension cord unless it is absolutely necessary.** Use of improper extension cord could result in risk of fire, electric shock, or electrocution.
- **An extension cord must have adequate wire size (AWG or American Wire Gauge) for safety.** The smaller the gauge number of the wire, the greater the capacity of the cable, that is 16 gauge has more capacity than 18 gauge. When using more than one extension to make up the total length, be sure each individual extension contains at least the minimum wire size.
- **Do not place any object on top of charger or place the charger on a soft surface that might block the ventilation slots and result in excessive internal heat.** Place the charger in a position away from any heat source. The charger is ventilated through slots in the top and the bottom of the housing.
- **Do not mount charger on wall or permanently affix charger to any surface.** The charger is intended to use on a flat, stable surface (i.e., table top, bench top).
- **Do not operate charger with damaged cord or plug** — have them replaced immediately.
- **Do not operate charger if it has received a sharp blow, been dropped, or otherwise damaged in any way.** Take it to an authorized service center.
- **Do not disassemble charger; take it to an authorized service center when service or repair is required.** Incorrect reassembly may result in a risk of electric shock, electrocution or fire.
- **Disconnect the charger from the outlet before attempting any cleaning. This will reduce the risk of electric shock.** Removing the battery pack will not reduce this risk.
- **NEVER attempt to connect 2 chargers together.**
- **The charger is designed to operate on standard household electrical power (120 Volts). Do not attempt to use it on any other voltage.**

SAVE THESE INSTRUCTIONS

Introduction

The DC9000 charger is designed to charge DEWALT battery packs in approximately 1 hour. This charger requires no adjustment and is designed to be as easy as possible to operate. Simply place your battery pack into the receptacle of a plugged in charger and it will automatically charge the pack.

Important Safety Instruction for Battery Packs

⚠ WARNING: For safe operation, read this manual and manuals originally supplied with tool before using the charger.

When ordering replacement battery packs, be sure to include catalog number and voltage. Consult the chart on the last page of this manual for compatibility of chargers and battery packs.

The battery pack is not fully charged out of the carton. Before using the battery pack and charger, read the safety instructions below. Then follow charging procedures outlined.

READ ALL INSTRUCTIONS

- **Do not incinerate the battery pack even if it is severely damaged or is completely worn out.** The battery pack can explode in a fire. Toxic fumes and materials are created when lithium ion battery packs are burned.
- **Do not charge or use battery in explosive atmospheres, such as in the presence of flammable liquids, gases or dust.** Inserting or removing the battery from the charger may ignite the dust or fumes.
- **If battery contents come into contact with the skin, immediately wash area with mild soap and water.** If battery liquid gets into the eye, rinse water over the open eye for 15 minutes or until irritation ceases. If medical attention is needed, the battery electrolyte is composed of a mixture of liquid organic carbonates and lithium salts.
- **Contents of opened battery cells may cause respiratory irritation.** Provide fresh air. If symptoms persists, seek medical attention

⚠ **WARNING:** Burn hazard. Battery liquid may be flammable if exposed to spark or flame.

- Charge the battery packs only in DEWALT chargers.
- **DO NOT** splash or immerse in water or other liquids.
- **Do not store or use the tool and battery pack in locations where the temperature may reach or exceed 105°F (40°) (such as outside sheds or metal buildings in summer).**

⚠ **WARNING:** Never attempt to open the battery pack for any reason. If battery pack case is cracked or damaged, do not insert into charger. Do not crush, drop or damage battery pack. Do not use a battery pack or charger that has received a sharp blow, been

dropped, run over or damaged in any way (i.e., pierced with a nail, hit with a hammer, stepped on). Damaged battery packs should be returned to service center for recycling.

⚠ **WARNING: Fire hazard. Do not store or carry battery so that metal objects can contact exposed battery terminals.** For example, do not place battery in aprons, pockets, tool boxes, product kit boxes, drawers, etc., with loose nails, screws, keys, etc. **Transporting batteries can possibly cause fires if the battery terminals inadvertently come in contact with conductive materials such as keys, coins, hand tools and the like.** The US Department of Transportation Hazardous Material Regulations (HMR) actually prohibit transporting batteries in commerce or on airplanes (i.e., packed in suitcases and carry-on luggage) UNLESS they are properly protected from short circuits. So when transporting individual batteries, make sure that the battery terminals are protected and well insulated from materials that could contact them and cause a short circuit.

The RBRC™ Seal

The RBRC™ (Rechargeable Battery Recycling Corporation) Seal on the lithium ion battery (or battery pack) indicates that the costs to recycle the battery (or battery pack) at the end of its useful life have already been paid by DEWALT.

RBRC™ in cooperation with DEWALT and other battery users, has established programs in the United States to facilitate the collection of spent lithium ion batteries. Help protect our environment and conserve natural resources by returning the spent lithium ion battery to an authorized DEWALT service center or to your local retailer for recycling. You may also contact your local recycling center for information on where to drop off the spent battery.

RBRC™ is a registered trademark of the Rechargeable Battery Recycling Corporation.



Storage Recommendations

1. The best storage place is one that is cool and dry away from direct sunlight and excess heat or cold.
2. Long storage will not harm the battery pack or charger. Under proper conditions, they can be stored for 5 years or more.

Charger

Your battery pack requires a 1 hour DEWALT charger. Be sure to read all safety instructions before using your charger. Consult the chart on the back of this manual for compatibility of chargers and battery packs.

Charging Procedure

1. Plug the charger into an appropriate outlet before inserting the battery pack.
2. Insert the battery pack into the charger. The charger is equipped with a three-light fuel gauge that will blink according to the state of charge of the battery pack.
3. The completion of charge is indicated by the three red lights remaining ON continuously. The pack is fully charged and may be used at this time or left on the charger.

	0% - 33%	1 st light blinks
	33% - 66%	1 st light on, 2 nd light blinks
	66% - 99%	1 st , 2 nd lights on, 3 rd light blinks
	100%	1 st , 2 nd , 3 rd lights on

Charger Diagnostics

This charger is designed to detect certain problems that can arise with the battery packs or the charger. Problems are indicated by the three red lights flashing together in different patterns.

PROBLEM POWERLINE

When the charger is used with some portable power sources such as generators or sources that convert DC to AC, the charger may temporarily suspend operation. The three red lights will flash together with **two fast blinks followed by a pause**. This indicates that the power source is out of limits.

BAD BATTERY

The charger can detect a weak or damaged battery. The three red lights will flash together with **rapid blinking**. The battery will no longer charge and should be returned to a service center or a collection site for recycling.

BAD CHARGER

The charger will detect if it is not functioning properly. The three red lights will flash together with **one fast blink followed by a long blink**. The charger will no longer work and should be returned to an authorized service center or replaced.

LEAVING THE BATTERY IN THE CHARGER

The charger and battery pack can be left connected with the red lights glowing indefinitely. The charger will keep the battery pack fresh and fully charged. This charger features an automatic tune-up mode which equals or balances the individual cells in the battery pack to allow it to function at peak capacity. Battery packs should be tuned up weekly or whenever the battery no longer delivers the same amount of work. To use the automatic tune-up mode, place the battery pack in the charger and leave it for at least 8 hours.

Important Charging Notes

1. Longest life and best performance can be obtained if the battery pack is charged when the air temperature is between 65°F and 75°F (18°- 24°C). DO NOT charge the battery pack in an air temperature below +40°F (+4.5°C), or above +105°F (+40.5°C).

This is important and will prevent serious damage to the battery pack.

2. The charger and battery pack may become warm to touch while charging. This is a normal condition, and does not indicate a problem. To facilitate the cooling of the battery pack after use, avoid placing the charger or battery pack in a warm environment such as in a metal shed, or an uninsulated trailer.
3. If the battery pack does not charge properly:
 - a. Check current at receptacle by plugging in a lamp or other appliance.
 - b. Check to see if receptacle is connected to a light switch which turns power off when you turn out the lights.
 - c. Move charger and battery pack to a location where the surrounding air temperature is approximately 65°F - 75°F (18° - 24°C).
 - d. If charging problems persist, take the tool, battery pack and charger to your local service center.
4. The battery pack should be recharged when it fails to produce sufficient power on jobs which were easily done previously. **DO NOT CONTINUE** to use under these conditions. Follow the charging procedure. You may also charge a partially used pack whenever you desire with no adverse affect on the battery pack.
5. Foreign materials of a conductive nature such as, but not limited to, steel wool, aluminum foil, or any buildup of metallic particles should be kept away from charger cavities. Always unplug the charger from the power supply when there is no battery pack in the cavity. Unplug charger before attempting to clean.
6. Do not freeze or immerse charger in water or any other liquid.

⚠WARNING: Shock hazard. Do not allow any liquid to get inside charger.

⚠CAUTION: Never attempt to open the battery pack for any reason. If the plastic housing of the battery pack breaks or cracks, return to a service center for recycling.

SAVE THESE INSTRUCTIONS

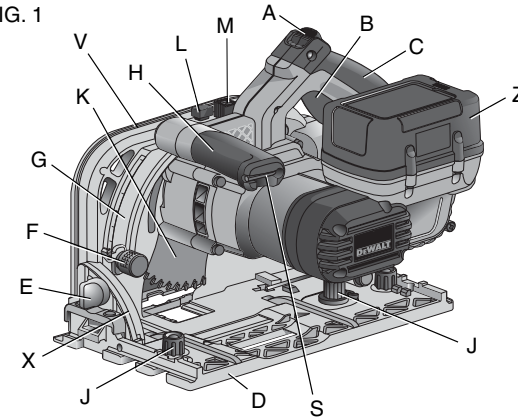
Motor

Be sure your power supply agrees with nameplate marking. As little as 10% lower voltage can cause loss of power and can result in overheating. All DEWALT tools are factory-tested; if this tool does not operate, check the power supply.

⚠WARNING: Accessories must be rated for at least the speed recommended on the tool warning label. Accessories running over rated speed can fly apart and cause injury. Accessory ratings must always be above tool speed as shown on tool nameplate.

⚠CAUTION: Avoid contact with the blade teeth to prevent personal injury.

FIG. 1



COMPONENTS (Fig. 1–3, 9)

⚠WARNING: Never modify the power tool or any part of it. Damage or personal injury could result.

- | | |
|---------------------------|-----------------------------------|
| A. Plunge trigger | N. Blade clamping screw |
| B. On/off switch | O. Outer flange |
| C. Main handle | P. Inner flange |
| D. Shoe | Q. Riving knife |
| E. Bevel adjustment knob | R. Riving knife adjustment screws |
| F. Depth adjustment knobs | S. Hex wrench |
| G. Depth scale | T. Cutting indicator |
| H. Front handle | U. Anti-kickback knob |
| I. Dust extraction outlet | V. Outer guard |
| J. Track adjuster | W. Track |
| K. Blade | X. Bevel scale |
| L. Lock button | Y. Blade position indicators |
| M. Lock lever | Z. Battery pack |

INTENDED USE

The DC351 track saw is designed to cut wood. Do not use this saw to cut solid-surface countertops (i.e., Corian®).

⚠WARNING: To reduce the risk of serious personal injury, do not use this saw to cut solid-surface countertops. Material build-up may inhibit proper function of the plunge return, leaving the blade exposed.

ADJUSTMENTS AND SET-UP

⚠WARNING: To reduce the risk of injury, turn unit off and disconnect it from power source before installing and removing accessories, before adjusting or when making repairs. An accidental start-up can cause injury.

⚠WARNING: Before using the track saw, ALWAYS make sure all functions are working properly!

Bevel Adjustment (Fig. 1)

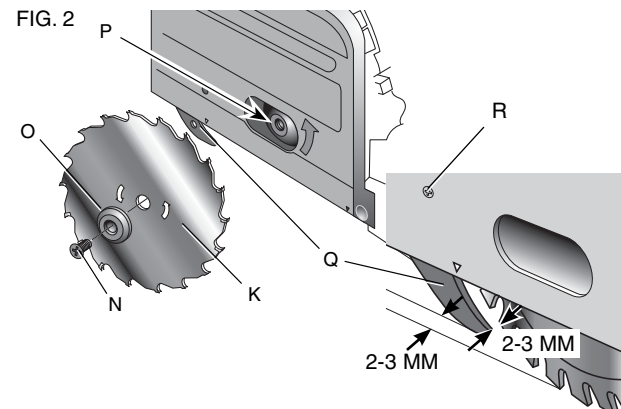
The bevel angle can be adjusted between 0° and 47°.

1. Loosen the bevel adjustment knobs (E).
2. Set the bevel angle by tilting the saw shoe (D) until the mark indicates the desired angle on the bevel scale (X).
3. Tighten the bevel adjustment knobs (E).

Adjusting the Riving Knife (Fig. 1, 2)

For the correct adjustment of the riving knife (Q), refer to the Figure 2. Adjust the clearance of the riving knife after changing the saw blade or whenever necessary.

1. Follow *Changing the Saw Blade* steps 1–4.
2. Loosen the riving adjustment screw (R) with hex wrench (S) and set the riving knife as shown in Figure 2.
3. Tighten the riving knife screw (R).
4. Turn the lock lever (M) counterclockwise until it stops.
5. Move the track saw back to top position.

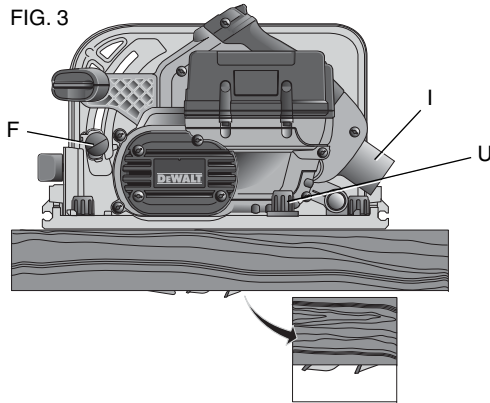


Cutting Depth Adjustment (Fig. 3)

The cutting depth can be set at 0–2-5/16" (0–59 mm) without track attached; with the track attached: 0–2-1/8" (0–55 mm).

1. Loosen the depth adjustment knob (F) and move the pointer to obtain the correct depth of cut.
2. Tighten the depth adjustment knob (F).

NOTE: For optimal results, allow the saw blade to protrude from the workpiece by about 1/8" (3 mm).



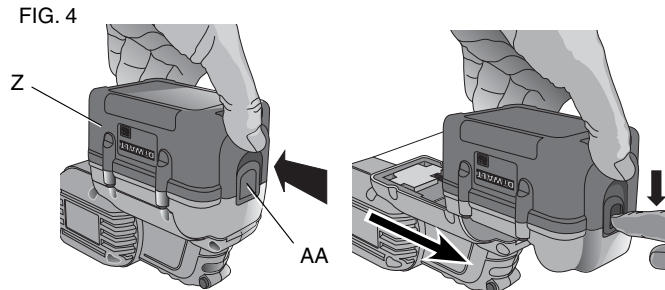
OPERATION

⚠ WARNING: To reduce the risk of injury, turn unit off and disconnect it from power source before installing and removing accessories, before adjusting or when making repairs. An accidental start-up can cause injury.

Inserting and Removing the Battery Pack (Fig. 4)

NOTE: Make sure your battery pack is fully charged.

1. To fit the battery pack (Z), line it up with the receptacle on the tool. Slide the battery pack into the receptacle and push until the battery snaps into place.
2. To remove the battery pack, push the battery release button (AA) while at the same time pulling the battery pack out of the receptacle.



Switching On and Off (Fig. 1)

Pull the on/off switch (B) to turn the motor on. Releasing the trigger turns the motor off. This tool has no provision to lock the switch in the "ON" position, and should never be locked on by any other means.

Changing the Saw Blade (Fig. 1, 2, 5)

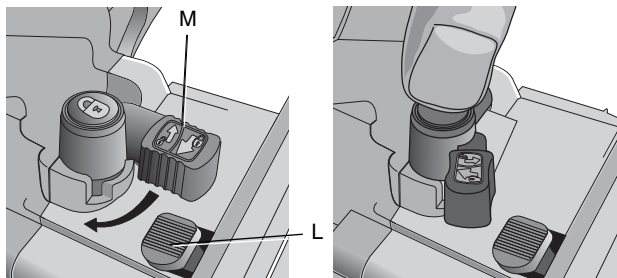
⚠ WARNING: To reduce the risk of injury, turn unit off and disconnect it from power source before installing and removing accessories, before adjusting or when making repairs. An accidental start-up can cause injury.

⚠ CAUTION: Avoid contact with the blade teeth to prevent personal injury.

CAUTION: Never engage the blade lock while saw is running or engage in an effort to stop the tool. Never turn the saw on while the blade lock is engaged. Serious damage to your saw will result.

1. Press the lock button (L).
2. Press the track saw down to stop (blade change position).
3. Turn the lock lever (M) clockwise until it stops.
4. Press the lock lever (M) down and rotate the blade until the lock position is found.

FIG. 5



NOTE: The blade (K) is now locked and cannot be turned by hand.

5. Turn the blade clamping screw (N) counterclockwise to remove.
6. Remove the outer flange (O) and used blade (K). Place the new blade on the inner flange (P).

7. Replace the outer flange (O) and blade clamping screw (N). Turn the screw clockwise by hand.

⚠ CAUTION: The direction of rotation of the saw blade and the rotation of the track saw **MUST** be the same.

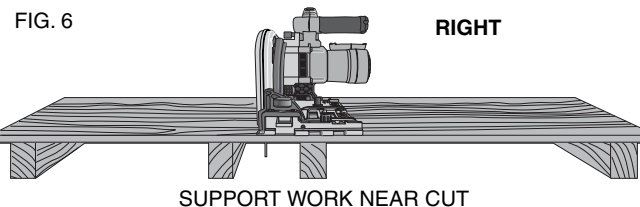
8. Tighten the blade clamping screw firmly using the hex wrench (S).
9. Turn the lock lever (M) counterclockwise until it stops.
10. Move the track saw back to top position.
11. Push plunge trigger (A) forward, to lock saw blade change.

Workpiece Support

⚠ WARNING: Hands should be kept away from cutting area to reduce the risk of injury.

⚠ WARNING: The power cord should be positioned clear of the cutting area so that it will not get caught or hung up on the work and to prevent electric shock.

Figure 6 shows proper sawing position. Figure 7 shows an unsafe condition. To avoid kickback, DO support board or panel NEAR the cut. DON'T support board or panel away from the cut.



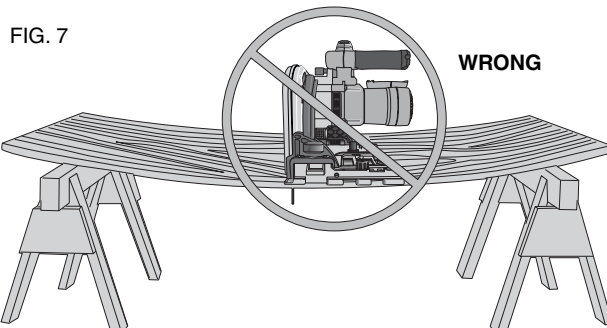


FIG. 7

MATERIAL BENDS ON BLADE CAUSING
HEAVY LOADS OR KICKBACK

⚠ WARNING: When operating the saw, keep the cord away from the cutting area to prevent electric shock.

⚠ WARNING: It is important to support the work properly and to hold the saw firmly to prevent loss of control which could cause personal injury. Figure 8 illustrates typical hand support of the saw.

Place the work with its “good” side – the one on which appearance is most important – down. The saw cuts upward, so any splintering will be on the work face that is up when you saw it.



FIG. 8

Cutting

⚠ DANGER: Risk of electrical shock. Keep the cord away from the cutting area to prevent electrocution.

⚠ WARNING: If the guard binds or is sluggish, return the saw to your nearest authorized DEWALT service center for repair.

⚠ WARNING: For maximum protection, effective control of this powerful saw requires two-handed operation. Support the work properly and hold the saw firmly to prevent loss of control which could cause injury. Refer to Figure 8 for the proper way to hold the saw.

⚠ WARNING: Stay alert and maintain a firm grip on the saw. Release the switch immediately if the blade binds or the saw stalls. Keep your blade sharp. Properly support panels (Fig. 6, 7). Use the track when ripping. DO NOT force the tool. DO NOT remove the saw from the workpiece while the blade is moving.

⚠ WARNING: To help reduce the risk of personal injury, always clamp work. Don't try to hold short pieces by hand! Remember to support cantilevered and over hanging material. Use caution when sawing material from below.

⚠ WARNING: Be sure that the saw is up to full speed before blade contacts material to be cut. Starting the saw with blade against material to be cut or pushed forward into kerf can result in kickback and personal injury.

⚠ WARNING: ALWAYS secure the workpiece in such a manner that it cannot move while sawing. For optimum results, clamp the workpiece bottom up.

⚠ WARNING: ALWAYS push the machine forwards. **NEVER** pull the machine backwards towards you.

⚠ WARNING: ALWAYS use the clamp (Fig. 9, BB) to hold the track to the workpiece.

CAUTION: Do not operate your tool on a current on which the voltage is not within correct limits. Do not operate tools rated AC only on DC current. To do so may seriously damage the tool.

1. Place the machine with the front part of the saw base on the workpiece.
2. Press the on/off switch to turn the saw on.
3. Push the plunge trigger (A) forward, press the saw down to set cutting depth and push it forward into cutting direction.

Push the saw forward at a speed which allows the blade to cut without laboring. Hardness and toughness can vary even in the same piece of material, and knotty or damp sections can put a heavy load on the saw. When this happens, push the saw more slowly, but hard enough to keep it working without much decrease in speed. Forcing the saw can cause rough cuts, inaccuracy, kickback and over-heating of the motor.

Should the cut begin to go off the line, DO NOT try to force it back. Release the switch and allow blade to come to a complete stop, then withdraw the saw, realign, and start a new cut slightly inside the wrong one.

In any event, withdraw the saw if you must shift the cut. Forcing a correction inside the cut can stall the saw and lead to kickback. IF SAW STALLS, RELEASE THE TRIGGER, ALLOW THE BLADE TO COME TO A COMPLETE STOP, AND BACK THE SAW UNTIL IT IS LOOSE. BE SURE BLADE IS STRAIGHT IN THE CUT AND CLEAR OF THE CUTTING EDGE BEFORE RESTARTING.

As you finish a cut, release the trigger and allow the blade to stop before lifting the saw from the work. As you lift the saw, the spring-tensioned guard will automatically close around the blade. Remember the blade is exposed until this occurs, never reach under the work for any reason whatsoever.

Always use a track, fence or straight edge guide when ripping.

NOTE: When cutting thin strips, be careful to ensure that the narrow strips do not feed up into the inside of the blade enclosure.

NOTE: The tracks, available in different lengths, allow for precise, clean cuts and simultaneously protect the workpiece surface against damage.

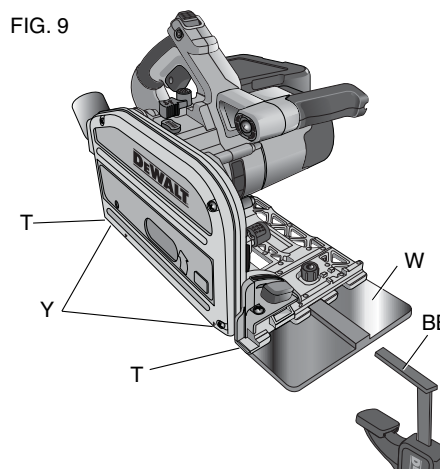
PLUNGE CUTS (FIG. 1, 9)

▲ WARNING: ALWAYS use the track when plunge cutting.

▲ WARNING: To avoid kickbacks, the following instructions MUST be observed when plunge cutting:

1. Place the machine onto the track and release the anti-kickback knob (U) by turning it counterclockwise.
2. Turn the machine on and slowly press the saw down onto the set cutting depth and push forward in the cutting direction. The cut indicators (T) display the absolute front and the absolute rear cutting points of the saw blade [dia. 6-1/2" (165 mm)] at maximum cutting depth and using the track.
3. If kickback happened during the plunge cut, turn the anti-kickback knob (U) counterclockwise to release it from the track.

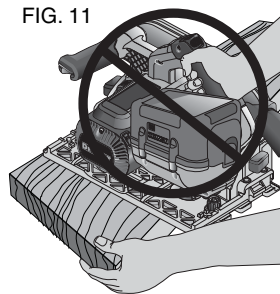
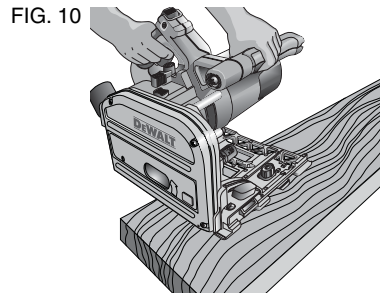
FIG. 9



4. When you have finished the plunge cut, turn the anti-kickback knob (U) clockwise into the lock position.

CROSS-CUTTING

Cutting directly across the grain of a piece of lumber is called crosscutting. Figures 10 and 11 illustrate a crosscut operation. Position the work so that the cut will be on the left.



RIPPING

Ripping is cutting wood lengthwise. This operation is performed in the same manner as crosscutting with the exception of supporting the workpiece. If the workpiece is supported on a large table, bench, or floor, several pieces of scrap stock approximately 1" (25.4 mm) thick should be placed beneath the material to allow clearance for the portion of the saw blade that extends thru the workpiece. Large sheets of paneling or thin plywood supported on saw horses should have 2 x 4's placed lengthwise between the horses and the workpiece to prevent it from sagging in the center.

BEVEL CUTTING

Make your bevel cuts in the same manner as crosscuts and rip cuts, but set the blade at an angle between 0° and 47°.

The bevel cut made at an angle to the edge of a board is called a compound cut.

KICKBACK

When the saw blade becomes pinched or twisted in the cut, kickback can occur. The saw is thrust rapidly back toward the operator. When the blade is pinched or bound tightly by the kerf closing down, the blade stalls and the motor reaction drives the unit backward. When the blade becomes twisted or misaligned in the cut, the teeth at the back edge of the blade can dig into the top surface of the wood causing the blade to climb out of the kerf and jump back toward the operator. Kickback is more likely to occur when any of the following conditions exist.

1. IMPROPER WORKPIECE SUPPORT

- A. Sagging or improper lifting of the cut off piece can cause pinching of the blade and lead to kickback.
- B. Cutting through material supported at the outer ends only can cause kickback. As the material weakens it sags, closing down the kerf and pinching the blade.
- C. Cutting off a cantilevered or overhanging piece of material from the bottom up in a vertical direction can cause kickback. The falling cut off piece can pinch the blade.
- D. Cutting off long narrow strips (as in ripping) can cause kickback. The cut off strip can sag or twist closing the kerf and pinching the blade.
- E. Snagging the lower guard on a surface below the material being cut momentarily reduces operator control. The saw can lift partially out of the cut increasing the chance of blade twist.

2. IMPROPER DEPTH OF CUT SETTING ON SAW

To make the most efficient cut, the blade should protrude only far enough to expose 1/2 of a tooth. This allows the shoe to

support the blade and minimizes twisting and pinching in the material. See the section titled **Cutting Depth Adjustment**.

3. BLADE TWISTING (MISALIGNMENT IN CUT)

- A. Pushing harder to cut through a knot, a nail, or a hard grain area can cause the blade to twist.
- B. Trying to turn the saw in the cut (trying to get back on the marked line) can cause blade twist.
- C. Over-reaching or operating the saw with poor body control (out of balance), can result in twisting the blade.
- D. Changing hand grip or body position while cutting can result in blade twist.
- E. Backing up the saw to clear blade can lead to twist.

4 MATERIALS THAT REQUIRE EXTRA ATTENTION

- A. Wet lumber
- B. Green lumber (material freshly cut or not kiln dried)
- C. Pressure treated lumber (material treated with preservatives or anti-rot chemicals)

5. USE OF DULL OR DIRTY BLADES

Dull blades cause increased loading of the saw. To compensate, an operator will usually push harder which further loads the unit and promotes twisting of the blade in the kerf. Worn blades may also have insufficient body clearance which increases the chance of binding and increased loading.

6. LIFTING THE SAW WHEN MAKING BEVEL CUT

Bevel cuts require special operator attention to proper cutting techniques - especially guidance of the saw. Both blade angle to the shoe and greater blade surface in the material increase the chance for binding and misalignment (twist) to occur.

7. RESTARTING A CUT WITH THE BLADE TEETH JAMMED AGAINST THE MATERIAL

The saw should be brought up to full operating speed before starting a cut or restarting a cut after the unit has been stopped with the blade in the kerf. Failure to do so can cause stalling and kickback.

Any other conditions which could result in pinching, binding, twisting, or misalignment of the blade could cause kickback. Refer to the sections on *Adjustments and Set-Up* and *Operation* for procedures and techniques that will minimize the occurrence of kickback.

Blades

▲WARNING: *To minimize the risk of eye injury, always wear ANSI Z87.1 approved eye protection. Carbide is a hard but brittle material. Foreign objects in the work piece such as wire or nails can cause tips to crack or break. Only operate saw when proper saw blade guard is in place. Mount blade securely in proper rotation before using, and always use a clean, sharp blade.*

▲WARNING: NEVER *cut ferrous metals (those with any iron or steel content), masonry, glass or tile with this saw. Damage to the saw and personal injury may result.*

A dull blade will cause inefficient cutting, overload on the saw motor, excessive splintering and increase the possibility of kickback. Change blades when it is no longer easy to push the saw through the cut, when the motor is straining, or when excessive heat is built up in the blade. It is a good practice to keep extra blades on hand so that sharp blades are available for immediate use. Dull blades can be sharpened in most areas; see SAWS-SHARPENING in the yellow pages. Hardened gum on the blade can be removed with kerosene, turpentine, or oven cleaner. Anti-stick coated blades can be used in applications where excessive build-up is encountered, such as pressure treated and green lumber.

BLADE SELECTION

Your DEWALT track saw is designed for use with 6-1/2" (165 mm) diameter blades that have a 0.79" (20 mm) diameter bore. Blades must be rated for 6000 RPM operation (or higher). **DO NOT** use any abrasive wheels.

A combination blade is furnished with your saw and is an excellent blade for all general ripping and crosscutting operations. Use a fine-tooth blade for cutting plywood.

⚠WARNING: VISUALLY EXAMINE CARBIDE BLADES BEFORE USE. REPLACE IF DAMAGED.

Track Saw System (Fig. 1)

The tracks, which are available in different lengths, allow for precise, clean cuts and simultaneously protect the workpiece surface against damage.

In conjunction with additional accessories, exact angled cuts, miter cuts and fitting work can be completed with the track saw system. Securing the workpiece with clamps ensures a secure hold and safe working.

The guide clearance of the track saw must be very small for best cutting results and can be set with the two track adjusters (J).

1. Release the screw inside the track adjuster to adjust the clearance.
2. Adjust the knob until saw locks on track.
3. Rotate knob back until saw slides easily.
4. Hold the track adjuster in position and lock the screw again.

NOTE: ALWAYS readjust the system for use with other tracks.

Anti-splinter Strip

The track is equipped with an anti-splinter strip, which has to be cut to size before the first use:

IMPORTANT: ALWAYS read and follow the track saw system instruction before cutting the anti-splinter strip!

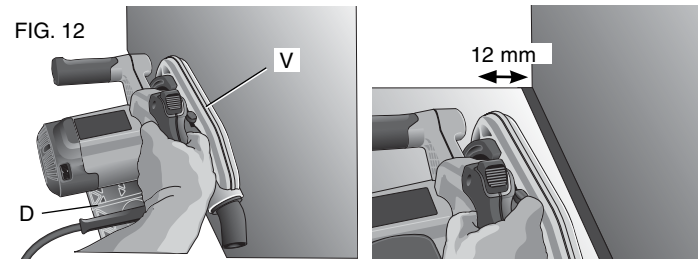
1. Set the speed of the track saw to level 5.
2. Place the track on a scrap piece of wood.
3. Set the track saw on 3/16" (5 mm) cut depth.
4. Place the saw on the rear end of the track.
5. Turn the saw on, press it down to the set cutting depth and cut the anti-splinter strip along the full length in one continuous operation. The edge of the anti-splinter strip now corresponds exactly to the cutting edge of the blade.

⚠WARNING: To reduce the risk of injury, ALWAYS secure the track (W) with a clamp.

Wall Cutting (Fig. 1, 12)

1. Place the track saw with the outer guard (V) on a clean, flat floor.
2. Press the shoe (D) with the front side on the wall against the adjusted depth stop.

NOTE: The minimum cut between wall and workpiece is 12 mm.



Dust Extraction (Fig. 3)

⚠ WARNING: DO NOT direct sawdust toward yourself or others. To avoid injury from flying sawdust, keep the exhaust nozzle either in the forward position or in the closed position. **DO NOT** insert foreign objects into the exhaust opening.

⚠ WARNING: ALWAYS connect the track saw to a dust extractor!

⚠ WARNING: ALWAYS use a dust extraction device designed in accordance with the relevant regulations regarding dust emission. Your tool is fitted with a dust extraction outlet (I).

MAINTENANCE

⚠ WARNING: To reduce the risk of injury, turn unit off and disconnect it from power source before installing and removing accessories, before adjusting or when making repairs. An accidental start-up can cause injury.

⚠ WARNING: ALWAYS USE SAFETY GLASSES. Everyday eyeglasses are NOT safety glasses. Also use face or dust mask if cutting operation is dusty. ALWAYS wear certified safety equipment:

- ANSI Z87.1 eye protection (CAN/CSA Z94.3)
- ANSI S12.6 (S3.19) hearing protection
- NIOSH/OSHA respiratory protection.

Cleaning

⚠ WARNING: Periodically blowing dust and chips out of the motor housing using clean, dry compressed air is a suggested maintenance procedure. To reduce the risk of serious personal injury, ALWAYS wear ANSI Z87.1 safety glasses while using compressed air.

⚠ WARNING: When cleaning, use only mild soap and a damp cloth on plastic parts. Many household cleaners contain chemicals

which could seriously damage plastic. Also, do not use gasoline, turpentine, lacquer or paint thinner, dry cleaning fluids or similar products which may seriously damage plastic parts. Never let any liquid get inside the tool; never immerse any part of the tool into a liquid.

CHARGER CLEANING INSTRUCTIONS

⚠ WARNING: Shock hazard. Disconnect the charger from the AC outlet before cleaning. Dirt and grease may be removed from the exterior of the charger using a cloth or soft non-metallic brush. Do not use water or any cleaning solutions.

Lubrication

This tool has been lubricated with a sufficient amount of high grade lubricant for the life of the unit under normal operating conditions. No further lubrication is necessary.

Brushes

⚠ WARNING: To reduce the risk of injury, DO NOT TIE, TAPE, OR OTHERWISE LOCK THE ON/OFF SWITCH ON while "running in". HOLD BY HAND ONLY.

Inspect carbon brushes regularly by unplugging tool, removing the brush inspection cap and withdrawing the brush assembly. Keep brushes clean and sliding freely in their guides. Always replace a used brush in the same orientation in the holder as it was prior to removal. Carbon brushes have varying symbols stamped into their sides, and if the brushes are worn down to the line closest to the spring, they must be replaced. Use only identical DEWALT brushes. Always replace both brushes. Use of the correct grade of brush is essential for proper operation of electric brakes. New brush assemblies are available at your local DEWALT certified service center. The tool should be allowed to "run in" (run at no load without blade) for 10 minutes before use to

seat new brushes. This is especially important for saws equipped with electric brakes, which may be erratic in operation until the brushes are properly seated (worn in).

Accessories

⚠ WARNING: *Since accessories, other than those offered by DEWALT, have not been tested with this product, use of such accessories with this tool could be hazardous. To reduce the risk of injury, only DEWALT, recommended accessories should be used with this product.*

⚠ WARNING: *DO NOT USE WATER FEED ATTACHMENTS WITH THIS SAW.*

⚠ WARNING: *VISUALLY EXAMINE CARBIDE BLADES BEFORE USE. REPLACE IF DAMAGED.*

Recommended accessories for use with your tool are available at extra cost from your local dealer or authorized service center. If you need assistance in locating any accessory, please contact DEWALT Industrial Tool Co., 701 East Joppa Road, Baltimore, MD 21286, call 1-800-4-DEWALT (1-800-433-9258) or visit our website www.dewalt.com.

Repairs

The charger is not serviceable. There are no serviceable parts inside the charger.

To assure product SAFETY and RELIABILITY, repairs, maintenance and adjustments (including brush inspection and replacement) should be performed by a DEWALT factory service center, a DEWALT authorized service center or other qualified service personnel. Always use identical replacement parts.

Three Year Limited Warranty

DEWALT will repair, without charge, any defects due to faulty materials or workmanship for three years from the date of purchase. This warranty does not cover part failure due to normal wear or tool abuse. For further detail of warranty coverage and warranty repair information, visit www.dewalt.com or call 1-800-4-DEWALT (1-800-433-9258). This warranty does not apply to accessories or damage caused where repairs have been made or attempted by others. This warranty gives you specific legal rights and you may have other rights which vary in certain states or provinces.

In addition to the warranty, DEWALT tools are covered by our:

1 YEAR FREE SERVICE

DEWALT will maintain the tool and replace worn parts caused by normal use, for free, any time during the first year after purchase.

2 YEARS FREE SERVICE ON DEWALT BATTERY PACKS

DC9096, DC9091, DC9071, DC9360 and DC9280

90 DAY MONEY BACK GUARANTEE

If you are not completely satisfied with the performance of your DEWALT Power Tool, Laser, or Nailer for any reason, you can return it within 90 days from the date of purchase with a receipt for a full refund – no questions asked.

LATIN AMERICA: This warranty does not apply to products sold in Latin America. For products sold in Latin America, see country specific warranty information contained either in the packaging, call the local company or see website for warranty information.

FREE WARNING LABEL REPLACEMENT: If your warning labels become illegible or are missing, call 1-800-4-DEWALT for a free replacement.

DC351
6 1/2" (165mm)
TRACK SAW

SER. [REDACTED]

⚠ DANGER KEEP HANDS AND BODY AWAY FROM AND TO THE SIDE OF THE BLADE. CONTACT WITH BLADE WILL RESULT IN SERIOUS INJURY.

⚠ WARNING TO REDUCE THE RISK OF INJURY, USER MUST READ INSTRUCTION MANUAL. CHECK GUARDING SYSTEM. IT MUST COVER THE BLADE INSTANTLY! HOLD SAW WITH BOTH HANDS. SUPPORT AND CLAMP WORK. WEAR EYE PROTECTION. ALWAYS USE PROPER RESPIRATORY PROTECTION. ALWAYS USE WITH D+WALT BATTERIES.

⚠ PELIGRO MANTENGA LAS MANOS Y EL CUERPO ALEJADOS DE LA HOJA Y A UN LADO DE LA MISMA. EL CONTACTO CON LA HOJA PROVOCA LESIONES GRAVES.

⚠ ADVERTENCIA PARA REDUCIR EL RIESGO DE LESIONES, EL USUARIO DEBERÁ LEER EL MANUAL DE INSTRUCCIONES. VERIFIQUE EL SISTEMA DE PROTECCIÓN. DEBE CUBRIR LA HOJA EN FORMA INSTANTÁNEA. SOSTENGA LA SIERRA CON AMBAS MANOS. SOPORTE Y SUJETE LAS PIEZAS DE TRABAJO. SIEMPRE SE DEBERÁ LLEVAR LA PROTECCIÓN APROPIADA PARA LA VISTA Y PARA LAS VÍAS RESPIRATORIAS. EL PRODUCTO SE DEBERÁ EMPLEAR SOLAMENTE CON BATERÍAS D+WALT.

⚠ DANGER TENIR LES MAINS ET TOUTE AUTRE PARTIE DU CORPS ÉLOIGNÉES DE LA LAME ET SUR LE CÔTÉ DE CELLE-CI. TOUT CONTACT AVEC LA LAME RISQUE DE CAUSER DE GRAVES BLESSURES.

⚠ AVERTISSEMENT POUR RÉDUIRE LE RISQUE DE BLESSURES, LIRE LE GUIDE D'UTILISATION. VÉRIFIER LE DISPOSITIF DE PROTECTION. IL DOIT RECOUVRIR INSTANTANÉMENT LA LAME! TENIR LA SCIE DES DEUX MAINS. SOUTENIR ET FIXER LA PIÈCE À OUVRIR. IL FAUT TOUJOURS PORTER DE L'ÉQUIPEMENT DE PROTECTION OCULAIRE ET RESPIRATOIRE APPROPRIÉ. UTILISER SEULEMENT AVEC DES PILES D+WALT.

D+WALT INDUSTRIAL TOOL CO., BALTIMORE, MD 21286 U.S.A.
FOR SERVICE INFORMATION, CALL 1-800-4-D+WALT www.D+WALT.com

Corian® is a registered trademark of E. I. du Pont de Nemours and Company

English

Définitions : lignes directrices en matière de sécurité

Les définitions ci-dessous décrivent le niveau de danger pour chaque motindicateur employé. Lire le mode d'emploi et porter une attention particulière à ces symboles.

▲DANGER : indique une situation dangereuse imminente qui, si elle n'est pas évitée, **entraînera la mort ou des blessures graves**

▲AVERTISSEMENT : indique une situation potentiellement dangereuse qui, si elle n'est pas évitée, **pourrait entraîner la mort ou des blessures graves**

▲ATTENTION : indique une situation potentiellement dangereuse qui, si elle n'est pas évitée, **pourrait entraîner des blessures légères ou modérées**.

ATTENTION : utilisé sans le symbole d'alerte de sécurité, indique une situation potentiellement dangereuse qui, si elle n'est pas évitée, **pourrait entraîner des dommages matériels**.

POUR TOUTE QUESTION OU REMARQUE AU SUJET DE CET OUTIL OU DE TOUT AUTRE OUTIL DEWALT, COMPOSEZ LE NUMÉRO SANS FRAIS : 1-800-4-DEWALT (1-800-433-9258).



AVERTISSEMENT : afin de réduire le risque de blessures, lire le mode d'emploi de l'outil.

Avertissements de sécurité généraux pour les outils électriques



AVERTISSEMENT! Lire tous les avertissements de sécurité et toutes les directives. Le non-respect des

avertissements et des directives pourrait se solder par un choc électrique, un incendie et/ou une blessure grave.

CONSERVER TOUS LES AVERTISSEMENTS ET TOUTES LES DIRECTIVES POUR UN USAGE ULTÉRIEUR

Le terme « outil électrique » cité dans les avertissements se rapporte à votre outil électrique à alimentation sur secteur (avec fil) ou par piles (sans fil).

1) SÉCURITÉ DU LIEU DE TRAVAIL

- Tenir l'aire de travail propre et bien éclairée.** Les lieux encombrés ou sombres sont propices aux accidents.
- Ne pas faire fonctionner d'outils électriques dans un milieu déflagrant, tel qu'en présence de liquides, de gaz ou de poussières inflammables.** Les outils électriques produisent des étincelles qui pourraient enflammer la poussière ou les vapeurs.
- Éloigner les enfants et les personnes à proximité pendant l'utilisation d'un outil électrique.** Une distraction pourrait en faire perdre la maîtrise à l'utilisateur.

2) SÉCURITÉ EN MATIÈRE D'ÉLECTRICITÉ

- Les fiches des outils électriques doivent correspondre à la prise. Ne jamais modifier la fiche d'aucune façon. Ne jamais utiliser de fiche d'adaptation avec un outil électrique mis à la terre.** Le risque de choc électrique sera réduit par l'utilisation de fiches non modifiées correspondant à la prise.
- Éviter tout contact physique avec des surfaces mises à la terre comme des tuyaux, des radiateurs, des cuisinières et des réfrigérateurs.** Le risque de choc électrique est plus élevé si votre corps est mis à la terre.

- c) **Ne pas exposer les outils électriques à la pluie ou à l'humidité.** La pénétration de l'eau dans un outil électrique augmente le risque de choc électrique.
- d) **Ne pas utiliser le cordon de façon abusive. Ne jamais utiliser le cordon pour transporter, tirer ou débrancher un outil électrique. Tenir le cordon éloigné de la chaleur, de l'huile, des bords tranchants et des pièces mobiles.** Les cordons endommagés ou enchevêtrés augmentent les risques de choc électrique.
- e) **Pour l'utilisation d'un outil électrique à l'extérieur, se servir d'une rallonge convenant à cette application.** L'utilisation d'une rallonge conçue pour l'extérieur réduira les risques de choc électrique.
- f) **S'il est impossible d'éviter l'utilisation d'un outil électrique dans un endroit humide, brancher l'outil dans une prise ou sur un circuit d'alimentation dotés d'un disjoncteur de fuite à la terre (GFCI).** L'utilisation de ce type de disjoncteur réduit les risques de choc électrique.
- 3) **SÉCURITÉ PERSONNELLE**
- a) **Être vigilant, surveiller le travail effectué et faire preuve de jugement lorsqu'un outil électrique est utilisé. Ne pas utiliser d'outil électrique en cas de fatigue ou sous l'influence de drogues, d'alcool ou de médicaments.** Un simple moment d'inattention en utilisant un outil électrique peut entraîner des blessures corporelles graves.
- b) **Utiliser des équipements de protection individuelle. Toujours porter une protection oculaire.** L'utilisation d'équipements de protection comme un masque antipoussière, des chaussures antidérapantes, un casque de sécurité ou des protecteurs auditifs lorsque la situation le requiert réduira les risques de blessures corporelles.
- c) **Empêcher les démarrages intempestifs. S'assurer que l'interrupteur se trouve à la position d'arrêt avant de**
- relier l'outil à une source d'alimentation et/ou d'insérer un bloc-piles, de ramasser ou de transporter l'outil.** Transporter un outil électrique alors que le doigt repose sur l'interrupteur ou brancher un outil électrique dont l'interrupteur est à la position de marche risque de provoquer un accident.
- d) **Retirer toute clé de réglage ou clé avant de démarrer l'outil.** Une clé ou une clé de réglage attachée à une partie pivotante de l'outil électrique peut provoquer des blessures corporelles.
- e) **Ne pas trop tendre les bras. Conserver son équilibre en tout temps.** Cela permet de mieux maîtriser l'outil électrique dans les situations imprévues.
- f) **S'habiller de manière appropriée. Ne pas porter de vêtements amples ni de bijoux. Garder les cheveux, les vêtements et les gants à l'écart des pièces mobiles.** Les vêtements amples, les bijoux ou les cheveux longs risquent de rester coincés dans les pièces mobiles.
- g) **Si des composants sont fournis pour le raccordement de dispositifs de dépoussiérage et de ramassage, s'assurer que ceux-ci sont bien raccordés et utilisés.** L'utilisation d'un dispositif de dépoussiérage peut réduire les dangers engendrés par les poussières.
- 4) **UTILISATION ET ENTRETIEN D'UN OUTIL ÉLECTRIQUE**
- a) **Ne pas forcer un outil électrique. Utiliser l'outil électrique approprié à l'application.** L'outil électrique approprié effectuera un meilleur travail, de façon plus sûre et à la vitesse pour laquelle il a été conçu.
- b) **Ne pas utiliser un outil électrique dont l'interrupteur est défectueux.** Tout outil électrique dont l'interrupteur est défectueux est dangereux et doit être réparé.
- c) **Débrancher la fiche de la source d'alimentation et/ou du bloc-piles de l'outil électrique avant de faire tout réglage ou changement d'accessoire ou avant de ranger l'outil.**

Ces mesures préventives réduisent les risques de démarrage accidentel de l'outil électrique.

- d) **Ranger les outils électriques hors de la portée des enfants et ne permettre à aucune personne n'étant pas familière avec un outil électrique ou son mode d'emploi d'utiliser cet outil.** Les outils électriques deviennent dangereux entre les mains d'utilisateurs inexpérimentés.
- e) **Entretien des outils électriques. Vérifier si les pièces mobiles sont mal alignées ou coincées, si des pièces sont brisées ou présentent toute autre condition susceptible de nuire au bon fonctionnement de l'outil électrique. En cas de dommage, faire réparer l'outil électrique avant toute nouvelle utilisation.** Beaucoup d'accidents sont causés par des outils électriques mal entretenus.
- f) **S'assurer que les outils de coupe sont aiguisés et propres.** Les outils de coupe bien entretenus et affûtés sont moins susceptibles de se coincer et sont plus faciles à maîtriser.
- g) **Utiliser l'outil électrique, les accessoires, les forets, etc. conformément aux présentes directives en tenant compte des conditions de travail et du travail à effectuer.** L'utilisation d'un outil électrique pour toute opération autre que celle pour laquelle il a été conçu est dangereuse.

5) UTILISATION ET ENTRETIEN DES OUTILS À PILES

- a) **Les recharger seulement avec le chargeur spécifié par le fabricant.** Un chargeur propre à un type de bloc-piles peut créer des risques d'incendie, lorsqu'utilisé avec d'autres blocs-piles.
- b) **Utiliser les outils électriques uniquement avec les blocs-piles spécialement conçus à cet effet.** L'utilisation de tout autre bloc-piles comporte des risques de dommages corporels et d'incendie.

- c) **Après utilisation, ranger le bloc-piles à l'écart de tout objet métallique comme trombones, pièces de monnaie, clés, clous, vis ou autres petits objets susceptibles de conduire l'électricité entre les bornes.** Court-circuiter les bornes comporte des risques de brûlures ou d'incendie.
- d) **Se prémunir de tout contact avec le liquide que le bloc-piles pourrait perdre lorsque sujet à des conditions extrêmes. En cas de contact accidentel, rincer abondamment à l'eau claire. En cas de contact oculaire, consulter aussi un médecin.** Le liquide perdu par le bloc-piles peut causer irritation ou brûlure.

6) RÉPARATION

- a) **Faire réparer l'outil électrique par un réparateur professionnel en n'utilisant que des pièces de rechange identiques.** Cela permettra de maintenir une utilisation sécuritaire de l'outil électrique.

RÈGLES DE SÉCURITÉ PARTICULIÈRES ADDITIONNELLES

Consignes de sécurité propres à toutes les scies

- a) **▲ DANGER : Éloigner les mains des zones et organes de coupe. Maintenir la deuxième main sur la poignée auxiliaire ou le boîtier du moteur.** Lorsque la scie est maintenue à deux mains, les risques de se couper avec la lame sont limités.
- b) **Ne pas envoyer les mains sous la pièce à usiner.** Sous la pièce, le dispositif de protection ne peut vous protéger de la lame.
- c) **Ajuster la profondeur de coupe à l'épaisseur de la pièce à usiner.** Un peu moins d'une longueur de dent de scie devrait être visible sous la pièce à usiner.

- d) **Ne jamais maintenir la pièce à découper avec les mains ou les jambes. Arrimer la pièce à usiner à une plateforme stable.** Il est important de maintenir le projet correctement pour minimiser tout danger corporel, pincement de lame, ou perte de contrôle de l'outil.
- e) **Tenir l'outil par les surfaces isolées prévues à cet effet pendant toute utilisation où l'organe de coupe pourrait entrer en contact avec des fils électriques cachés ou son propre cordon.** Tout contact avec un fil sous tension met les parties métalliques exposées de l'outil sous tension et électrocutera l'utilisateur.
- f) **Pour toute coupe longitudinale, utiliser systématiquement un guide longitudinal ou un guide de chant.** Cela accroîtra la précision de coupe et réduira les risques de grippage.
- g) **Utiliser systématiquement des lames de taille adéquate avec un alésage central façonné (diamant par rapport à arrondi).** Toute lame non conçue pour la ferrure de fixation de la scie fonctionnera de manière excentrique et provoquera la perte de contrôle de l'outil.
- h) **Ne jamais utiliser de rondelles ou boulons de lame endommagés ou inadéquats.** Les rondelles et boulons de lame ont été spécialement conçus pour cette scie, pour optimiser ses performances et sa sécurité d'emploi.

CAUSES ET PRÉVENTIONS DES REBONDS

- Les rebonds sont la conséquence soudaine d'un grippage ou d'une lame mal alignée, qui font que la scie rebondit brutalement hors de la pièce à usiner vers l'utilisateur.
- Lorsque la lame reste pincée ou bloquée dans le trait de scie, elle cale et le moteur en réaction provoque un rebond arrière de l'appareil vers l'utilisateur.
- S'il y a torsion de la lame ou si elle sort de la ligne de coupe, les dents à l'arrière de la lame pourront se planter à la

surface du bois et faire que la lame sorte du trait de scie et rebondisse vers l'utilisateur.

Les rebonds proviennent d'une utilisation inadéquate de l'outil et/ou d'une procédure ou de conditions d'utilisations incorrectes, et peuvent être évités en prenant les précautions appropriées expliquées ci-après :

- a) **Maintenir la scie fermement à deux mains et positionner les bras et le corps de façon à pouvoir résister à toute force de rebonds.** En prenant les précautions adéquates, les forces de rebonds peuvent être contrôlées par l'utilisateur.
- b) **Lorsqu'il y a grippage de la lame, ou lorsqu'on interrompt une coupe pour une raison quelconque, relâcher la gâchette et maintenir la scie immobile dans le matériau jusqu'à arrêt complet de la lame. Pour éviter tout rebond, ne jamais tenter de retirer la scie de la pièce ou de la tirer vers l'arrière alors que la lame est en mouvement.** Examiner la pièce à travailler et prendre les mesures qui s'imposent pour éliminer tout risque de grippage.
- c) **Avant de remettre la scie en marche dans la pièce à usiner, centrer la lame sur le trait de scie et vérifier que les dents de scie ne sont pas engagées dans le matériau.** Lorsqu'il y a grippage de la lame, celle-ci pourrait sauter ou faire un rebond hors du matériau lorsque la scie sera remise en marche.
- d) **Supporter les grands panneaux pour minimiser tout risque de grippage de lame et de rebonds.** Les grands panneaux ont tendance à s'affaisser sous leur propre poids. Le support peut être installé de chaque côté, sous le panneau, près de la ligne de coupe et sous les bords externes du panneau.
- e) **Ne pas utiliser de lames émoussées ou endommagées.** Les lames émoussées ou incorrectement installées

produisent des traits de scie étroits pouvant causer frictions, grippages et rebonds.

- f) **Les leviers de verrouillage de profondeur de lame et de réglage de chanfrein doivent être soigneusement serrés avant toute coupe.** Si le réglage de lame venait à changer en cours de coupe, il y aurait risques de grippage et de rebonds.
- g) **Prenez des précautions supplémentaires lors de « coupes en plongée » dans des murs existants ou dans toute zone à visibilité limitée.** La lame pourrait rencontrer des objets qui pourraient causer des rebonds.

Consignes de sécurité propres aux scies pour coupe en plongée

- a) **Vérifier soigneusement la fermeture du carter avant toute utilisation. Ne pas utiliser la scie si le carter ne remue pas librement et ne se ferme pas instantanément sur la lame. Ne jamais arrimer ou attacher le carter en laissant la lame à nu.** Le carter pourrait être endommagé si la scie venait à tomber. Vérifier que le carter remue librement et ne touche pas la lame ou toute autre partie de la scie, à tout angle et toute profondeur de coupe.
- b) **Vérifier la fonctionnalité et les conditions du ressort de rappel de carter. Si le carter ou son ressort ne fonctionne pas correctement, les faire réparer avant toute utilisation.** Il peut arriver que le fonctionnement du carter soit ralenti par des pièces endommagées, des dépôts poisseux ou l'accumulation de débris.
- c) **S'assurer que la plaque de guidage de la scie ne se déplacera pas pendant une « coupe en plongée » alors le réglage de chanfrein n'est pas sur 90°.** Si la lame se déplace latéralement, cela posera des risques de grippage et de rebonds.

- d) **Vérifier systématiquement que le carter protège bien la lame avant de poser la scie sur le sol ou l'établi.** Une lame non protégée en roue libre provoquera la marche arrière de la scie qui coupera tout ce qui se trouvera sur son passage. Tenir compte du temps nécessaire à la lame pour s'arrêter complètement une fois l'interrupteur relâché.

Consignes de sécurité additionnelles propres à toutes les scies munies d'un couteau diviseur

- a) **Utiliser le couteau diviseur approprié à la lame utilisée.** Pour que le couteau diviseur fonctionne correctement, il doit être plus épais que le corps de lame, mais plus fin que ses dents.
- b) **Régler le couteau diviseur comme décrit dans ce manuel de l'utilisateur.** Un espacement, une installation ou un alignement incorrect peut rendre le couteau diviseur inapte à prévenir les rebonds.
- c) **Utiliser systématiquement le couteau diviseur sauf pour les coupes en plongée.** Le couteau diviseur doit être réinstallé après toute coupe en plongée. Le couteau diviseur pourrait causer des interférences et des risques de rebonds pendant les coupes en plongée. Le modèle DC351 ne requiert pas le retrait du couteau diviseur, car celui-ci est rétractable pendant les coupes en plongée.
- d) **Pour que le couteau diviseur fonctionne correctement, il doit être engagé dans la pièce à usiner.** Le couteau diviseur est inapte à prévenir les rebonds lors de coupes courtes.
- e) **Ne pas utiliser la scie si le couteau diviseur est gondolé.** Même légère, une interférence peut ralentir la vitesse de fermeture du carter.

Consignes de sécurité additionnelles propres aux scies

- **Porter un dispositif de protection auditif.** Le bruit en résultant pourrait occasionner une perte de l'acuité auditive.
- **Porter un masque antipoussières.** Toute exposition à des particules de poussières pourrait occasionner des problèmes respiratoires et des dommages corporels.
- **Utiliser exclusivement les lames recommandées.** La scie a été conçue pour être utilisée avec des lames de 165 mm (6-1/2 po) de diamètre pour un diamètre d'alésage de 20 mm (0,79 po). Les lames doivent pouvoir fonctionner à 6000 r/min (ou plus).
- **Ne jamais utiliser de meules à tronçonner.**
- **Positionner le corps sur l'un des côtés de la lame, mais jamais dans son alignement.** Un rebond pourrait faire rebondir la scie en arrière (se reporter aux sections Causes et prévention des rebonds et Rebonds).
- **ATTENTION :** La lame continue de tourner après l'arrêt de la scie, et pose des risques de dommages corporels sérieux.
- **Éviter de couper des clous. Inspecter le bois et retirer les clous présents avant toute coupe.**

RALLONGES

Pour la sécurité de l'utilisateur, utiliser une rallonge de calibre adéquat (AWG, American Wire Gauge [calibrage américain normalisé des fils électriques]). Plus le calibre est petit, et plus sa capacité est grande. Un calibre 16, par exemple, a plus de capacité qu'un calibre 18. L'usage d'une rallonge de calibre insuffisant causera une chute de tension entraînant perte de puissance et surchauffe. Si plus d'une rallonge est utilisée pour obtenir une certaine longueur, s'assurer que chaque rallonge

présente au moins le calibre de fil minimum. Le tableau ci-dessous illustre les calibres à utiliser selon la longueur de rallonge et l'intensité nominale indiquée sur la plaque signalétique. En cas de doute, utiliser le calibre suivant. Plus le calibre est petit, plus la rallonge peut supporter de courant.

CALIBRES MINIMAUX DES RALLONGES						
Intensité (en ampères)		Volts	Longueur totale de cordon en mètres (pieds)			
		120V	25 (7.6)	50 (15.2)	100 (30.5)	150 (45.7)
		240V	50 (15.2)	100 (30.5)	200 (61.0)	300 (91.4)
Supérieur à	Inférieur à	AWG				
0	6	18	16	16	14	
6	10	18	16	14	12	
10	12	16	16	14	12	
12	16	14	12	Non recommandé		

- **Prendre des précautions à proximité des événements, car ils cachent des pièces mobiles.** Vêtements amples, bijoux ou cheveux longs risquent de rester coincés dans ces pièces mobiles.
- La vitesse nominale des accessoires doit être équivalente ou supérieure à celle recommandée sur l'étiquette d'avertissement de l'outil. Les accessoires tournant à une vitesse supérieure à sa vitesse nominale peuvent se désintégrer et poser des risques de dommages corporels. L'intensité nominale des accessoires utilisés doit être supérieure à la vitesse minimum des outils indiquée sur la plaque signalétique.

⚠ AVERTISSEMENT : Pendant l'utilisation, porter **SYSTÉMATIQUEMENT** une protection auditive individuelle adéquate homologuée ANSI S12.6 (S3.19). Sous certaines

conditions et suivant la longueur d'utilisation, le bruit émanant de ce produit pourrait contribuer à une perte de l'acuité auditive.

⚠ AVERTISSEMENT : Porter **SYSTÉMATIQUEMENT** des lunettes de protection. Les lunettes courantes NE sont PAS des lunettes de protection. Utiliser aussi un masque antipoussières si la découpe doit en produire beaucoup. **PORTER SYSTÉMATIQUEMENT UN ÉQUIPEMENT DE SÉCURITÉ HOMOLOGUÉ.**

- Protection oculaire ANSI Z87.1 (CAN/CSA Z94.3 ;
- Protection auditive ANSI S12.6 (S3.19) ;
- Protection des voies respiratoires NIOSH/OSHA/MSHA.

⚠ AVERTISSEMENT : Les scies, meules, ponceuses, perceuses ou autres outils de construction peuvent produire des poussières contenant des produits chimiques reconnus pour causer des cancers, malformations congénitales ou être nocifs au système reproducteur. Parmi ces produits chimiques, on retrouve :

- le plomb dans les peintures à base de plomb ;
- la silice cristallisée dans les briques et le ciment ou autres articles de maçonnerie ; et
- l'arsenic et le chrome dans le bois ayant subi un traitement chimique (ACC).

Le risque associé à de telles expositions varie selon la fréquence à laquelle on effectue ces travaux. Pour réduire toute exposition à ces produits : travailler dans un endroit bien aéré, en utilisant du matériel de sécurité homologué tel un masque antipoussières spécialement conçu pour filtrer les particules microscopiques.

- **Limiter tout contact prolongé avec les poussières provenant du ponçage, sciage, meulage, perçage ou toute autre activité de construction. Porter des vêtements de protection et nettoyer à l'eau savonneuse les parties du corps exposées.** Le fait de laisser la poussière pénétrer dans la bouche, les yeux ou la peau peut promouvoir l'absorption de produits chimiques dangereux.

⚠ AVERTISSEMENT : Cet outil peut produire et/ou répandre de la poussière susceptible de causer des dommages sérieux et permanents au système respiratoire. Toujours utiliser un appareil respiratoire antipoussières homologué par le NIOSH ou l'OSHA. Diriger les particules dans le sens opposé au visage et au corps.

- L'étiquette apposée sur votre outil peut inclure les symboles suivants. Les symboles et leur définition sont définis ci-après :

V..... volts	A ampères
Hz.....hertz	W..... watts
minminutes.	~ courant alternatif
==courant continu	⋈ courant alternatif
ⓁClasse I Fabrication	ou continu
(mis à la terre)	n _o vitesse à vide
ⓂClasse II Fabrication	Ⓧ borne de terre
(double isolation)	⚠ symbole
BPM.....battements par minute	d'avertissement
.../minpar minute	R/MIN.. tours par minute

Directives de sécurité importantes propres aux chargeurs de piles

CONSERVER CES CONSIGNES : Ce manuel contient des directives de sécurité importantes propres aux chargeurs de piles.

- Avant d'utiliser le chargeur, lire toute consigne et tout avertissement apposés sur le chargeur, le bloc-piles et le produit utilisant le bloc-piles.

⚠ AVERTISSEMENT : Risques de choc électrique. Ne laisser aucun liquide pénétrer dans le chargeur.

⚠ ATTENTION : Risques de brûlure. Pour réduire tout risque de dommages corporels, ne recharger que des piles rechargeables DEWALT. Tout autre type de piles pourrait exploser et causer des dommages corporels et matériels.

⚠ ATTENTION : Sous certaines conditions, lorsque le chargeur est connecté au bloc d'alimentation, des matériaux étrangers pourraient court-circuiter le chargeur. Les corps étrangers conducteurs tels que (mais pas limité à) paille de fer, feuilles d'aluminium, ou toute accumulation de particules métalliques doivent être maintenus à distance des orifices du chargeur. Débrancher systématiquement le chargeur lorsque le bloc-piles n'y est pas inséré. Débrancher systématiquement le chargeur avant tout entretien.

- **NE PAS tenter de charger de blocs-piles avec des chargeurs autres que ceux décrits dans ce manuel.** Le chargeur et son bloc-piles ont été conçus tout spécialement pour fonctionner ensemble.
- **Ces chargeurs n'ont pas été conçus pour une utilisation autre que recharger les blocs-piles rechargeables DEWALT.** Toute autre utilisation comporte des risques d'incendie, de choc électrique ou d'électrocution.
- **Protéger le chargeur de la pluie ou de la neige.**
- **Tirer sur la fiche plutôt que sur le cordon pour débrancher le chargeur.** Cela permet de réduire les risques d'endommager la fiche ou le cordon d'alimentation.
- **S'assurer que le cordon est protégé de manière à ce que personne ne marche ni ne trébuche dessus ou à ce qu'il soit ni endommagé ni soumis à aucune tension.**
- **N'utiliser une rallonge qu'en cas de nécessité absolue.** L'utilisation d'une rallonge inadéquate comporte des risques d'incendie, de choc électrique ou d'électrocution.

- **Pour la sécurité de l'utilisateur, utiliser une rallonge de calibre adéquat (AWG, American Wire Gauge [calibrage américain normalisé des fils électriques]).** Plus le calibre est petit, et plus sa capacité est grande. Un calibre 16, par exemple, a plus de capacité qu'un calibre 18. Si plus d'une rallonge est utilisée pour obtenir une certaine longueur, s'assurer que chaque rallonge présente au moins le calibre de fil minimum.
- **Ne poser aucun objet sur le chargeur. Ne pas mettre le chargeur sur une surface molle qui pourrait en bloquer la ventilation et provoquer une surchauffe interne.** Éloigner le chargeur de toute source de chaleur. Le chargeur dispose d'orifices d'aération sur le dessus et le dessous du boîtier.
- **Ne pas fixer le chargeur sur un mur, ou toute autre surface, de façon permanente.** Le chargeur a été conçu pour être utilisé sur une surface plane et stable (ex. : dessus de table ou d'établi).
- **Ne pas utiliser le chargeur avec un cordon ou une fiche endommagé ; les changer immédiatement.**
- **Ne pas utiliser le chargeur s'il a reçu un coup, fait une chute ou a été endommagé de quelque façon que ce soit.** Le ramener dans un centre de réparation agréé.
- **Ne pas démonter le chargeur. Pour tout service ou réparation, le rapporter dans un centre de réparation agréé.** Le fait de le réassembler de façon incorrecte comporte des risques de choc électrique, d'électrocution et d'incendie.
- **Débrancher le chargeur du secteur avant tout entretien. Cela réduira tout risque de chocs électriques.** Le fait de retirer le bloc-piles ne réduira pas ces risques.
- **NE JAMAIS tenter de connecter 2 chargeurs ensemble.**
- **Le chargeur a été conçu pour fonctionner sur du courant électrique domestique standard (120 volts). Ne pas tenter de l'utiliser avec toute autre tension.**

CONSERVER CES CONSIGNES

Introduction

Le chargeur DC9000 a été conçu pour recharger des blocs-piles DEWALT en approximativement une heure. Ce chargeur ne requiert aucun réglage et a été conçu pour être d'un usage aussi simple que possible. Placez simplement votre bloc-piles dans le réceptacle du chargeur branché, et ce dernier le rechargera automatiquement.

Consignes de sécurité importantes propres aux blocs-piles

⚠ AVERTISSEMENT : Pour votre protection, lire ce manuel et les manuels fournis d'origine avec l'outil avant d'utiliser le chargeur.

Pour commander un bloc-piles de recharge, s'assurer d'inclure son numéro de catalogue et sa tension. Consulter le tableau en dernière page de ce manuel pour vous informer de la compatibilité entre chargeurs et blocs-piles.

Le bloc-piles n'est pas totalement chargé d'usine. Avant d'utiliser le bloc-piles et le chargeur, lire les consignes de sécurité ci-dessous. Puis suivre la procédure de charge ci-après.

LIRE TOUTES LES CONSIGNES

- **Ne pas incinérer le bloc-piles même s'il est sévèrement endommagé ou complètement usagé, car il pourrait exploser et causer un incendie.** Pendant l'incinération des blocs-piles au lithium-ion, des vapeurs et matières toxiques sont dégagées.
- **Ne pas recharger ou utiliser un bloc-piles en milieu déflagrant, en présence par exemple de poussières, gaz ou liquides inflammables.** Le fait d'insérer ou retirer un bloc-piles de son chargeur pourrait causer l'inflammation de poussières ou d'émanations.
- **En cas de contact du liquide de la pile avec la peau, rincer immédiatement au savon doux et à l'eau.** En cas de

contact oculaire, rincer l'œil ouvert à l'eau claire une quinzaine de minutes ou jusqu'à ce que l'irritation cesse. Si des soins médicaux s'avéraient nécessaires, noter que l'électrolyte de la pile est composé d'un mélange de carbonates organiques liquides et de sels de lithium.

- **Le contenu des cellules d'une pile ouverte peut causer une irritation respiratoire.** Dans cette éventualité, exposer l'individu à l'air libre. Si les symptômes persistent, consulter un médecin.

⚠ AVERTISSEMENT : Risques de brûlure. Le liquide de la pile peut s'enflammer s'il est exposé à des étincelles ou à une flamme.

- Recharger les blocs-piles exclusivement dans des chargeurs DEWALT.
- **NE PAS** éclabousser le bloc-piles ou l'immerger dans l'eau ou dans tout autre liquide.
- **Ne pas entreposer ou utiliser l'appareil et le bloc-piles en présence de températures ambiantes pouvant excéder 40° (105°F) (comme dans des hangars ou des bâtiments métalliques l'été).**

⚠ AVERTISSEMENT : Ne jamais tenter d'ouvrir le bloc-piles pour quelque raison que ce soit. Si le boîtier du bloc-piles est fissuré ou endommagé, ne pas l'insérer dans un chargeur. Ne pas écraser, laisser tomber, ou endommager les blocs-piles. Ne pas utiliser un bloc-piles ou un chargeur qui a reçu un choc violent, ou si l'appareil est tombé, a été écrasé ou endommagé de quelque façon que ce soit (p. ex. percé par un clou, frappé d'un coup de marteau, piétiné). Les blocs-piles endommagés doivent être renvoyés à un centre de réparation pour y être recyclés.

⚠ AVERTISSEMENT : Risques d'incendie. S'assurer, au moment de ranger ou transporter le bloc-piles, qu'aucun objet métallique n'entre en contact avec les bornes à découvert du bloc-piles. Par exemple, éviter de placer un bloc-piles dans un tablier, une

poche, une boîte à outils ou un tiroir, etc. contenant des objets tels que des clous, des vis, des clés, etc. **Le fait de transporter des blocs-piles comporte des risques d'incendie car les bornes des piles peuvent entrer, par inadvertance, en contact avec des objets conducteurs tels que clés, pièces de monnaie, outils ou autres.** La réglementation sur les produits dangereux (Hazardous Material Regulations) du département américain des transports interdit en fait le transport des piles pour le commerce ou dans les avions (ex : dans les bagages enregistrés ou à main) À MOINS qu'elles ne soient correctement protégées contre tout court-circuit. Aussi lors du transport individuel de blocs-piles, s'assurer que leurs bornes sont bien protégées et isolées de tout matériau pouvant entrer en contact avec elles et provoquer un court-circuit.

Le sceau SRPRC™

Le sceau SRPRC™ de la Société de recyclage des piles rechargeables au Canada apposé sur la pile au lithium ion (ou le bloc-piles) indique que les coûts de recyclage de ces derniers, en fin de vie, ont déjà été payés par DEWALT.

La SRPRC™ en collaboration avec DEWALT et d'autres utilisateurs de piles, a mis sur pied des programmes aux États-Unis dans le but de faciliter la collecte des piles au lithium ion déchargées. Aidez-nous à protéger l'environnement et à conserver nos ressources naturelles en retournant les piles usagées au lithium ion à un centre de service agréé DEWALT ou chez votre détaillant local afin qu'elles puissent être recyclées. On peut en outre se renseigner auprès d'un centre de recyclage local pour connaître d'autres sites les acceptant.

SRPRC™ est une marque déposée de la Société de recyclage des piles rechargeables au Canada.



Recommandations de rangement

1. Le meilleur endroit de rangement est un lieu frais et sec, à l'abri de toute lumière solaire directe et de toute température excessive.
2. Un rangement prolongé ne nuira ni au bloc-piles ni au chargeur. Sous les conditions adéquates, il peut être entreposé jusqu'à 5 ans et plus.

Chargeur

Votre bloc-piles requiert un chargeur DEWALT d'une heure. S'assurer de bien lire toutes les directives de sécurité avant toute utilisation du chargeur. Consulter le tableau à l'arrière de ce manuel pour vous informer de la compatibilité entre chargeurs et blocs-piles.

Procédure de charge

1. Branchez le chargeur dans la prise appropriée avant d'y insérer le bloc-piles.
2. Insérez le bloc-piles dans le chargeur. Le chargeur est équipé d'une jauge de puissance avec trois voyants lumineux qui clignoteront selon l'état de charge du bloc-piles.
3. En fin de charge, les trois voyants rouges resteront ALLUMÉS de façon continue. Le bloc-piles est alors complètement chargé et peut être utilisé ou laissé dans le chargeur.

	0 % - 33 %	1 ^{er} voyant clignote
	33 % - 66 %	1 ^{er} voyant allumé, 2 ^e voyant clignote
	66 % - 99 %	1 ^{er} , 2 ^e voyants allumés, 3 ^e voyant clignote
	100 %	1 ^{er} , 2 ^e , 3 ^e , voyants allumés

Diagnostic du chargeur

Ce chargeur a été conçu pour détecter certains problèmes pouvant survenir aux blocs-piles ou au chargeur. Les problèmes sont indiqués par trois voyants rouges clignotant ensemble suivant différentes combinaisons.

PROBLÈMES AVEC LE SECTEUR

Lorsque le chargeur est utilisé avec des blocs d'alimentation portatifs comme les génératrices ou les alternateurs, il peut arriver qu'il s'arrête de fonctionner temporairement, auquel cas les trois voyants rouges émettront en même temps **deux clignotements rapides suivis d'une pause**. Cela indique que le bloc d'alimentation est hors tolérance.

PILE DÉFECTUEUSE

Le chargeur peut aussi détecter si la pile est faible ou endommagée. Dans ce cas, les trois voyants rouges **clignoteront rapidement** en même temps. La pile ne se rechargera plus et devra alors être envoyée à un centre de réparation ou un site de récupération pour y être recyclée.

CHARGEUR DÉFECTUEUX

Le chargeur est à même de détecter si lui-même ne fonctionne pas correctement. Dans ce cas, les trois voyants rouges émettront en même temps **un clignotement rapide suivi par un long clignotement**. Le chargeur ne fonctionnera plus et devra alors être envoyé à un centre de réparation agréé ou être remplacé.

BLOC-PILES LAISSÉ DANS LE CHARGEUR

Le chargeur et son bloc-piles peuvent rester connectés, les voyants rouges demeurant indéfiniment allumés. Le chargeur maintiendra le bloc-piles sain et pleinement chargé. Le mode de mise au point automatique égalise ou équilibre chaque cellule du bloc-piles pour lui permettre de fonctionner à son rendement optimum. Les blocs-

piles doivent être mis au point hebdomadairement ou chaque fois que la durée de fonctionnement du bloc-piles diminue. Pour utiliser le mode de mise au point automatique, insérer le bloc-piles dans le chargeur et l'y laisser pendant au moins 8 heures.

Remarques importantes concernant le chargement

1. Pour augmenter la durée de vie du bloc-piles et optimiser son rendement, le recharger à une température ambiante de 18° à 24°C (65°F à 75°F). NE PAS recharger le bloc-piles à une température inférieure à +4,5°C (+40°F) ou supérieure à +40,5°C (+105°F). C'est important pour prévenir tout dommage sérieux au bloc-piles.
2. Le chargeur et son bloc-piles peuvent devenir chauds au toucher pendant la charge. C'est normal et ne représente en aucun cas une défaillance du produit. Pour faciliter le refroidissement du bloc-piles après utilisation, éviter de laisser le chargeur ou le bloc-piles dans un local où la température ambiante est élevée comme dans un hangar métallique ou une remorque non isolée.
3. Si le bloc-piles ne se recharge pas correctement :
 - a. Vérifier le courant à la prise en y branchant une lampe ou tout autre appareil électrique.
 - b. Vérifier que la prise n'est pas contrôlée par un interrupteur qui coupe le courant lorsqu'on éteint les lumières.
 - c. Déplacer le chargeur et le bloc-piles dans un local où la température ambiante se trouve entre environ 18° et 24°C (65°F et 75°F).
 - d. Si le problème persiste, amener l'outil, le bloc-piles et son chargeur dans un centre de réparation local.
4. Recharger le bloc-piles lorsqu'il ne produit plus assez de puissance pour effectuer un travail qu'il faisait facilement

auparavant. NE PAS CONTINUER à l'utiliser dans ces conditions. Suivre la procédure de charge. Si nécessaire, il est aussi possible de recharger un bloc-piles partiellement déchargé sans effet nuisible sur le bloc-piles.

5. Les corps étrangers conducteurs tels que (mais pas limité à) paille de fer, feuilles d'aluminium, ou toute accumulation de particules métalliques doivent être maintenus à distance des orifices du chargeur. Débrancher systématiquement le chargeur lorsque le bloc-piles n'y est pas inséré. Débrancher systématiquement le chargeur avant tout entretien.
6. Ne pas congeler ou immerger le chargeur dans l'eau ou tout autre liquide.

⚠ AVERTISSEMENT : Risques de choc électrique. Ne laisser aucun liquide pénétrer dans le chargeur.

⚠ ATTENTION : Ne jamais tenter d'ouvrir le bloc-piles pour quelque raison que ce soit. Si le boîtier plastique du bloc-piles est brisé ou fissuré, le retourner dans un centre de réparation pour y être recyclé.

CONSERVER CES CONSIGNES

Moteur

S'assurer que l'intensité nominale du cordon d'alimentation correspond à celle indiquée sur la plaque signalétique. Une baisse de tension aussi légère que 10% pourrait causer perte de puissance et surchauffe. Tous les outils DEWALT sont soumis à des essais en usine ; si cet outil ne fonctionne pas, vérifier le secteur.

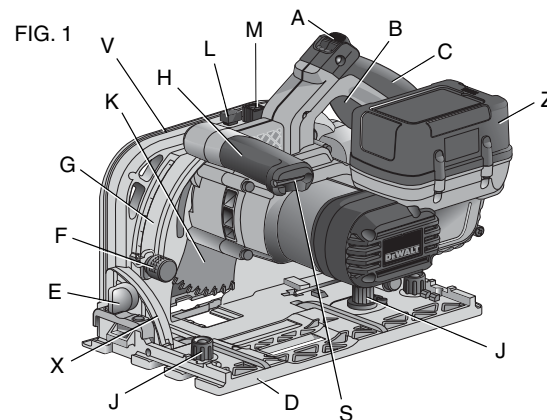
⚠ AVERTISSEMENT : La vitesse nominale des accessoires doit être équivalente ou supérieure à celle recommandée sur l'étiquette d'avertissement de l'outil. Les accessoires tournant à une vitesse supérieure à sa vitesse nominale peuvent se désintégrer et poser des risques de dommages corporels. L'intensité nominale des

accessoires utilisés doit être supérieure à la vitesse minimum des outils indiquée sur la plaque signalétique.

⚠ ATTENTION : Éviter tout contact direct avec les dents de scie pour prévenir tout dommage corporel.

DESCRIPTION (fig. 1 à 3, 9)

⚠ AVERTISSEMENT : Ne jamais modifier l'outil électrique ni aucun de ses composants. Il y a risques de dommages corporels ou matériels.



- | | |
|-----------------------------------|---------------------------------------|
| A. Gâchette de plongée | N. Vis de serrage de lame |
| B. Interrupteur marche/arrêt | O. Bride externe |
| C. Poignée principale | P. Bride interne |
| D. Châssis | Q. Couteau diviseur |
| E. Bouton de réglage du chanfrein | R. Vis de réglage du couteau diviseur |

- | | |
|-------------------------------------|------------------------------------|
| F. Boutons de réglage de profondeur | S. Clé hexagonale |
| G. Échelle de profondeur | T. Indicateur de coupe |
| H. Poignée avant | U. Molette anti-rebonds |
| I. Buse de dépoussiérage | V. Carter externe |
| J. Bouton de réglage de rail | W. Rail de guidage |
| K. Lame | X. Graduation de chanfrein |
| L. Bouton de verrouillage | Y. Indicateurs de position de lame |
| M. Levier de verrouillage | Z. Bloc-piles |

USAGE PRÉVU

La scie à rail DC351 a été conçue pour couper le bois. Ne pas utiliser la scie pour couper des revêtements massifs de cuisine (ex. : Corian®).

⚠ AVERTISSEMENT : Pour réduire tout risque de dommages corporels graves, ne pas utiliser la scie pour couper des revêtements massifs de cuisine. L'accumulation du matériau pourrait prévenir le fonctionnement adéquat du retour de coupe en plongée, et laisser la lame à nu.

RÉGLAGES ET CONFIGURATION

⚠ AVERTISSEMENT : Pour réduire tout risque de dommages corporels, arrêter et débrancher la scie du secteur avant d'installer ou retirer tout accessoire, avant tout réglage ou pour faire toute réparation. Tout démarrage accidentel comporte des risques de dommages corporels.

⚠ AVERTISSEMENT : Avant toute utilisation de la scie à rail, s'assurer SYSTÉMATIQUEMENT que toutes les fonctionnalités de l'outil marchent correctement !

Réglage de chanfrein (fig. 1)

L'angle de chanfrein peut être réglé entre 0° et 47°.

1. Desserrez les boutons de réglage du chanfrein (E).

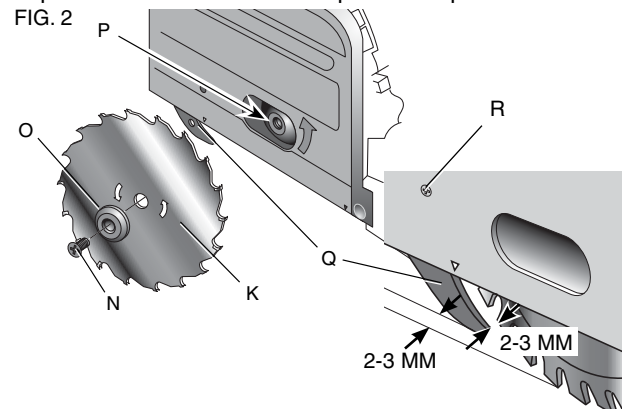
2. Ajustez l'angle de chanfrein en inclinant le châssis de scie (D) jusqu'à ce que le repère indique l'angle désiré sur la graduation de chanfrein (X).

3. Resserrez les boutons de réglage du chanfrein (E).

Réglage du couteau diviseur (fig. 1, 2)

Pour régler correctement le couteau diviseur (Q), se reporter à la figure 2. Ajustez l'espacement du couteau diviseur après chaque changement de lame ou chaque fois que nécessaire.

1. Suivez les instructions 1 à 4 de la section Changement de lame.
2. Dévissez la vis de réglage du couteau diviseur (R) avec la clé hexagonale (S) et ajustez le couteau diviseur comme illustré en figure 2.
3. Resserrez la vis du couteau diviseur (R).
4. Faites tourner à fond le levier de verrouillage (M) vers la gauche.
5. Remplacez la scie à rail dans sa position supérieure.

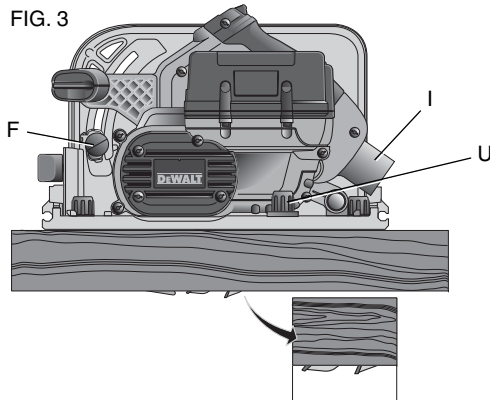


Réglage de profondeur de coupe (fig. 3)

Sans le rail, la profondeur de coupe peut être ajustée entre 0 et 59 mm (0 et 2-5/16 po) ; avec le rail : entre 0 et 55 mm (0 et 2-1/8 po).

1. Dévissez le bouton de réglage de profondeur (F) et ajustez l'indicateur sur la profondeur de coupe adéquate.
2. Resserrez le bouton de réglage de profondeur (F).

REMARQUE : Pour des résultats optimums, laisser la lame de scie dépasser de la pièce à usiner d'environ 3 mm (1/8 po).



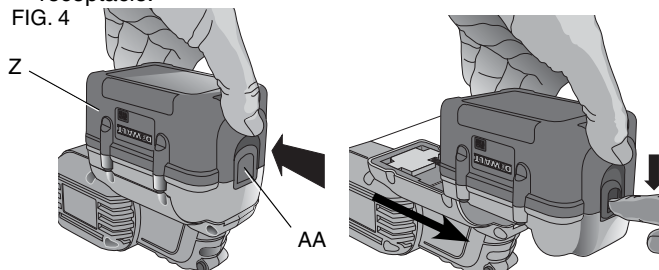
FONCTIONNEMENT

⚠ AVERTISSEMENT : Pour réduire tout risque de dommages corporels, arrêter et débrancher la scie du secteur avant d'installer ou retirer tout accessoire, avant tout réglage ou pour faire toute réparation. Tout démarrage accidentel comporte des risques de dommages corporels. .

Installation et retrait du bloc-piles (fig. 4)

REMARQUE : S'assurer que le bloc-piles est complètement chargé.

1. Pour insérer le bloc-piles (Z), alignez-le correctement dans le réceptacle de l'outil. Insérez-le dans son réceptacle puis poussez jusqu'à ce qu'il s'enclenche en place.
2. Pour retirer le bloc-piles, poussez sur le bouton de dégagement du bloc-piles (AA) tout en tirant le bloc-piles hors de son réceptacle.



Mise en marche et arrêt de l'appareil (fig. 1)

Appuyez sur la interrupteur marche/arrêt (B) pour mettre le moteur en MARCHE. Relâchez la gâchette pour ARRÊTER le moteur. Cet outil n'est pas équipé d'un bouton de verrouillage pour le maintenir en position de MARCHE, et ne doit en aucune manière être verrouillé en position de « MARCHE ».

Changement de lame (fig. 1, 2, 5)

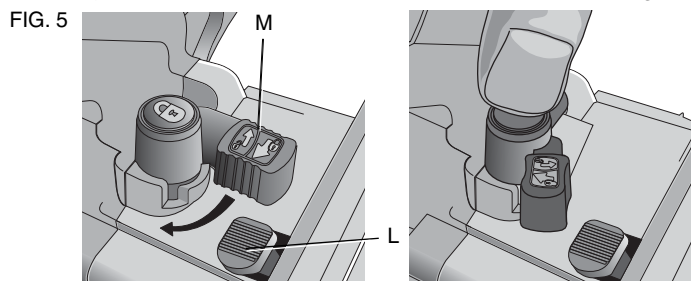
⚠ AVERTISSEMENT : Pour réduire tout risque de dommages corporels, arrêter et débrancher la scie du secteur avant

d'installer ou retirer tout accessoire, avant tout réglage ou pour faire toute réparation. Tout démarrage accidentel comporte des risques de dommages corporels.

⚠ ATTENTION : Éviter tout contact direct avec les dents de scie pour prévenir tout dommage corporel.

ATTENTION : Ne jamais activer le verrouillage de lame alors que la scie est en marche pour essayer d'arrêter l'outil. Ne jamais mettre la scie en marche alors que le verrouillage de lame est activé. De sérieux dommages matériels pourraient en résulter.

1. Appuyez sur le bouton de verrouillage (L).
2. Abaissez la scie à rail pour la mettre en position d'arrêt (position de changement de lame).
3. Faites tourner à fond le levier de verrouillage (M) vers la droite.
4. Appuyez sur le levier de verrouillage (M) et faites tourner la lame jusqu'à ce que vous trouviez la position de verrouillage.



REMARQUE : La lame (K) est alors verrouillée et on ne peut plus la faire tourner à la main.

5. Tournez la vis de serrage de lame (N) vers la gauche pour la dévisser.
6. Retirez la bride externe (O) et la lame émoussée (K). Installez une lame neuve sur la bride interne (P).

7. Remplacez la bride externe (O) et la vis de serrage de lame (N). Vissez la vis vers la droite à la main.

⚠ ATTENTION : La direction de rotation de la lame de scie et celle de la scie à rail DOIVENT être identique.

8. Resserrez la vis de serrage de lame fermement à l'aide de la clé hexagonale (S).
9. Faites tourner à fond le levier de verrouillage (M) vers la gauche.
10. Remplacez la scie à rail dans sa position supérieure.
11. Poussez la gâchette de plongée (A) en avant pour verrouiller la nouvelle lame.

Support de pièce

⚠ AVERTISSEMENT : Éloigner les mains des zones de coupe pour réduire tout risque de dommages corporels.

⚠ AVERTISSEMENT : Le cordon d'alimentation doit être éloigné de la zone de coupe pour prévenir toute interférence avec le travail en cours et tout risque de chocs électriques pouvant en résulter.

La figure 6 illustre la position correcte de sciage. La figure 7 illustre des conditions de travail dangereuses. Pour éviter tout rebond, **SUPPORTEZ** le panneau de bois **PRÈS** de la zone de coupe. **NE SUPPORTEZ PAS** le panneau au-delà de la zone de coupe.

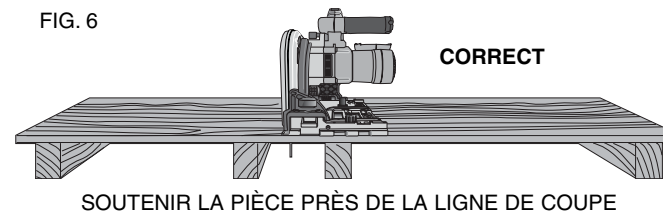
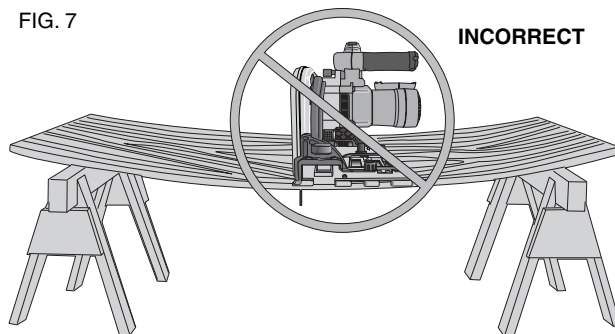


FIG. 7

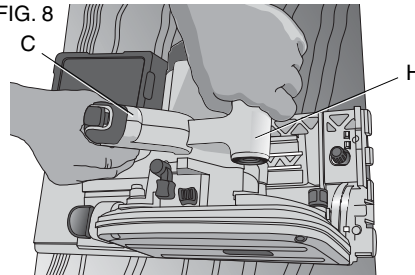


LE MATÉRIAU PLIE AU CONTACT DE LA LAME CAUSANT DE LOURDES SURCHARGES OU DES REBONDS

⚠ AVERTISSEMENT : Pendant l'utilisation de la scie, maintenir le cordon éloigné de la zone de coupe pour prévenir tout choc électrique.

⚠ AVERTISSEMENT : FIG. 8

Il est important de soutenir la pièce à usiner correctement et maintenir la scie fermement pour prévenir toute perte de contrôle et de minimiser tout risque de dommages corporels. La figure 8 illustre comment tenir la scie correctement.



Disposez la pièce à usiner avec le « bon côté » (celui dont on préfère l'apparence) vers le bas. La scie coupe vers le haut, aussi si le bois éclate, c'est au niveau de la surface supérieure que cela arrive.

Coupe

⚠ DANGER : Risques de chocs électriques. Maintenir le cordon éloigné de la zone de coupe pour prévenir toute électrocution.

⚠ AVERTISSEMENT : Si le dispositif de protection est endommagé ou a perdu de son efficacité, rapporter la scie dans le centre de réparation DEWALT le plus proche.

⚠ AVERTISSEMENT : Pour optimiser votre sécurité, le parfait contrôle de cette puissante scie requiert de l'utiliser à deux mains. Soutenir la pièce à usiner correctement et maintenir la scie fermement pour prévenir toute perte de contrôle et minimiser tout risque de dommages corporels. Se reporter à la figure 8 pour une illustration de la façon correcte de maintenir la scie.

⚠ AVERTISSEMENT : Rester vigilant et maintenir une prise solide sur la scie. Relâcher la gâchette immédiatement en cas de grippage de lame ou si la scie cale. Maintenir les lames bien affûtées. Supporter les panneaux correctement (fig. 6, 7). Utiliser le rail de guidage pour les coupes longitudinales. NE PAS forcer l'outil. NE PAS retirer la scie de la pièce à usiner alors que la lame est encore en mouvement.

⚠ AVERTISSEMENT : Pour réduire tout risque de dommages corporels, arrimer systématiquement la pièce à usiner. Ne jamais maintenir les petites pièces à la main ! Se rappeler de soutenir tout matériau qui déborde ou en porte-à-faux. Prendre des précautions supplémentaires pour découper par en dessous.

⚠ AVERTISSEMENT : S'assurer que la scie tourne à plein régime avant de mettre la lame en contact avec le matériau à découper. Le fait de démarrer la scie, alors que la lame est en contact avec

la pièce à usiner ou dans le trait de scie, comporte des risques de rebonds et de dommages corporels.

⚠ AVERTISSEMENT : Arrimer **SYSTÉMATIQUEMENT** la pièce à usiner de façon à ce qu'elle ne puisse se déplacer pendant la coupe. Pour des résultats optimums, arrimer la pièce sur l'envers.

⚠ AVERTISSEMENT : Poussez **SYSTÉMATIQUEMENT** la machine en avant. **NE JAMAIS** la tirer en arrière vers vous.

⚠ AVERTISSEMENT : Utiliser **SYSTÉMATIQUEMENT** des serre-joints (fig. 9, BB) pour arrimer le rail à la pièce à usiner.

ATTENTION : Ne pas utiliser l'outil sur un secteur dont la tension est hors tolérance. Ne pas utiliser d'outils conçus pour du CA sur du CC, pour éviter tout dommage matériel sérieux.

1. Placez l'avant du châssis de scie sur la pièce à usiner.
2. Appuyez sur le bouton marche/arrêt pour mettre la scie en marche.
3. Poussez la gâchette de plongée (A) en avant, abaissez la scie pour ajuster la profondeur de coupe et repoussez-la dans la direction de la coupe.

Poussez la scie à un rythme régulier pour permettre à la lame de couper sans forcer. La dureté et la résistance peuvent varier au sein d'une même pièce, et des sections humides ou noueuses pourront surcharger la scie. Dans ces cas là, poussez la scie plus lentement, mais assez fort pour continuer à travailler sans pour autant réduire la vitesse. Le fait de forcer la scie causera des coupes grossières et imprécises, ainsi que des rebonds et la surchauffe du moteur.

Si la coupe sort de son alignement, **NE PAS** essayer de forcer l'outil pour le réaligner. Relâchez la gâchette et attendez l'arrêt complet de la lame, puis soulevez la scie, réalignez-la et recommencez à couper partiellement dans la mauvaise coupe.

Dans tous les cas, retirez la scie pour changer la direction de coupe. Le fait de vouloir corriger la direction de coupe dans le trait de scie lui-même pourra faire caler la scie et entraîner des rebonds. Si LA

SCIE VENAIT À CALER, RELÂCHEZ LA GÂCHETTE, ATTENDEZ L'ARRÊT COMPLET DE LA LAME, PUIS FAITES RECULER LA SCIE POUR LA DÉGAGER. ASSUREZ-VOUS QUE LA LAME EST ALIGNÉE SUR LA COUPE ET AU-DELÀ DU BORD DE COUPE AVANT DE REMETTRE LA SCIE EN MARCHÉ.

En fin de coupe, relâchez la gâchette et laissez la lame s'arrêter complètement avant de soulever la scie du travail. Lorsque vous soulèverez la scie, le carter à ressort se refermera automatiquement sur la lame. Rappelez-vous que tant que ceci n'est pas fait, la lame est à nu, aussi ne passez jamais les doigts sous le matériau pour quelque raison que se soit.

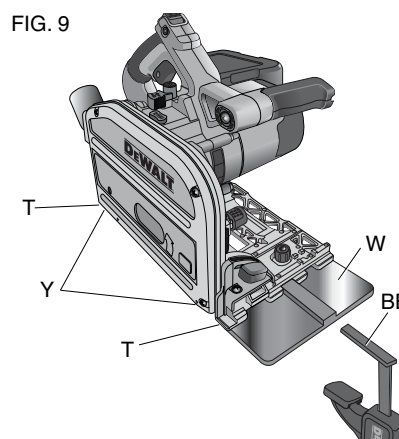
Pour toute coupe longitudinale, utilisez systématiquement un rail de guidage, un guide, ou un guide de chant.

REMARQUE : Pour découper de fines bandes, s'assurer que ces bandes étroites ne pénètrent pas à l'intérieur de la cage de lame.

REMARQUE : Les rails de guidage, disponibles en différentes longueurs, permettent d'effectuer des coupes précises et nettes tout en protégeant la surface de la pièce à usiner de tout dommage.

COUPES EN PLONGÉE (FIG. 1, 9)

⚠ AVERTISSEMENT : Utiliser **SYSTÉMATIQUEMENT** le rail de guidage pour les coupes en plongée.



⚠ AVERTISSEMENT : Pour éviter tout rebond, les instructions suivantes DOIVENT être observées pour effectuer toute coupe en plongée :

1. Disposez la machine sur le rail et relâchez la molette anti-rebonds (U) en la tournant vers la gauche.
2. Mettez la machine en marche et abaissez lentement la scie à la profondeur de coupe configurée et repoussez-la dans la direction de coupe. Les Indicateurs de coupe (T) afficheront l'avant et l'arrière absolus des points de coupe de la lame [dia. 165 mm (6-1/2 po) à la profondeur de coupe maximale lorsqu'on utilise le rail de guidage.
3. En cas de rebond lors d'une coupe en plongée, tournez la molette anti-rebonds (U) vers la gauche pour libérer la scie du rail.
4. Une fois la coupe en plongée terminée, tournez la molette anti-rebonds (U) vers la droite dans sa position de verrouillage.

COUPES TRANSVERSALES

La coupe en travers du grain d'une pièce de bois représente une coupe transversale. Les figures 10 et 11 illustrent comment faire une coupe transversale. Positionnez la pièce pour que la coupe soit faite sur la gauche.

FIG. 10

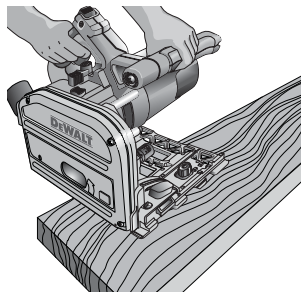
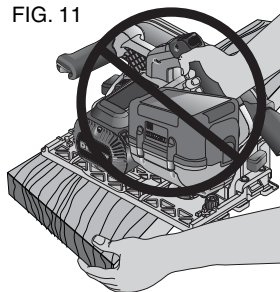


FIG. 11



COUPES LONGITUDINALES

Une coupe longitudinale découpe le bois sur sa longueur. Cette opération est effectuée de la même manière qu'une coupe transversale à l'exception que la pièce doit être supportée. Si la pièce à usiner est supportée par une table, une surface, ou un établi long, plusieurs morceaux de bois de 25,4 mm (1 po) d'épaisseur doivent être placés sous le matériau pour le surélever de la hauteur de lame dépassant de la pièce. Les larges panneaux, ou les plaques fines de contreplaqué, supportés par des chevalets doivent être étayés par des colombages disposés sur leur longueur entre les chevalets et la pièce à usiner pour éviter que le panneau s'affaisse en son milieu.

COUPES EN BISEAU

Effectuez les coupes en biseau de la même manière que les coupes longitudinales ou transversales, en ajustant la lame à un angle entre 0° et 47°.

Toute coupe en biseau effectuée à un angle en bordure d'un panneau est appelée coupe composée.

REBONDS

Lorsque la lame est pincée ou tordue dans la coupe, un rebond peut se produire. La scie est alors abruptement rejetée en arrière vers l'utilisateur. Lorsque la lame reste pincée ou bloquée dans le trait de scie, elle cale et le moteur en réaction renvoie l'appareil vers l'arrière. S'il y a torsion de la lame ou si elle sort de son alignement, les dents à l'arrière de la lame pourront se planter à la surface du bois et faire que la lame sorte du trait de scie et rebondisse vers l'utilisateur.

Les rebonds arrivent la plupart du temps lorsque les conditions suivantes existent :

1. SUPPORT DE PIÈCE INADÉQUAT

- A. L'affaissement d'une pièce, ou son support inadéquat, provoque le grippage de la lame et, par conséquent, des rebonds.
- B. Le fait de découper un matériau qui n'est soutenu qu'en bordure peut aussi causer des rebonds. Alors que le matériau cède, il s'affaisse, refermant ainsi le trait de scie et pinçant la lame.
- C. Couper une pièce, en porte-à-faux ou débordant, du bas vers le haut, à la verticale, peut causer des rebonds. La partie coupée d'une pièce peut pincer la lame.
- D. Couper des bandes longues et étroites (coupes longitudinales) peut causer des rebonds. La partie découpée peut alors s'affaisser ou se gondoler et refermer le trait de scie et pincer la lame.
- E. Si le carter inférieur s'accroche à la surface sous le matériau à découper, cela réduira momentanément le contrôle de l'utilisateur. La scie se soulèvera partiellement de la coupe et augmentera alors les risques de torsion de la lame.

2. CONFIGURATION DE PROFONDEUR DE COUPE INCORRECTE

Pour effectuer une coupe optimale, la lame ne devrait pas dépasser de plus d'une demie dent. Cela permet au châssis de soutenir la lame et de minimiser tout grippage ou pinçage du matériau. Se reporter à la section intitulée *Réglage de la profondeur de coupe*.

3. TORSION DE LA LAME (MÉSALIGNEMENT DE COUPE)

- A. Le fait de pousser avec force au travers d'un nœud, un clou ou une zone plus dure pourra provoquer la torsion de la lame.
- B. Essayer de réorienter la scie dans la coupe (pour la réaligner avec le tracé de coupe) pourra causer la torsion de la lame.

- C. Travailler hors de portée, ou utiliser la scie alors que la position du corps est incorrecte (déséquilibre), pourra causer la torsion de la lame.
- D. Changer la prise de main ou la position du corps en cours de coupe pourra causer la torsion de la lame.
- E. Faire reculer la scie pour dégager la lame pourra aussi en causer la torsion de la lame.

4. MATÉRIAUX NÉCESSITANT UNE ATTENTION SPÉCIALE

- A. Bois humides
- B. Bois verts (fraîchement coupés ou pas suffisamment secs)
- C. Bois traités sous pression (matériaux traités avec des produits chimiques de conservation ou antiseptiques)

5. UTILISATION DE LAMES ÉMOUSSÉES OU ENCRASSÉES

Les lames émoussées augmentent les risques de surcharge de la scie. Pour compenser, l'utilisateur pousse en général plus fort, ce qui en retour, augmente la surcharge et augmente les risques de torsion de la lame dans le trait de scie. Les lames usagées manquent aussi parfois de corps, ce qui augmente les risques de grippage et de surcharge.

6. SOULEVER LA SCIE PENDANT UNE COUPE EN BISEAU

Les coupes en biseau requièrent une attention spéciale de l'utilisateur au niveau des techniques de coupe, et particulièrement en ce qui concerne le guidage de la scie. L'angle de lame par rapport au châssis, et une surface plus grande de lame dans le matériau, augmentent les risques de grippage et de mésalignement (torsion).

7. RECOMMENCER À COUPER ALORS QUE LES DENTS DE SCIE SONT COINCÉES DANS LE MATÉRIAU

La scie doit fonctionner à plein régime avant de commencer toute coupe ou recommencer une coupe après que l'appareil ait été arrêté alors que la lame est restée dans le trait de scie.

Tout manquement à cette directive comporte des risques de grippages et rebonds.

Toute autre condition pouvant avoir comme résultat le pincement, le grippage, la torsion ou le mésalignement de la lame pourra causer des rebonds. Se reporter aux sections *Réglages et configuration* et *Utilisation* pour revoir les procédures et techniques pour minimiser les risques de rebonds.

Lames

⚠ AVERTISSEMENT : *Pour réduire tout risque de lésions oculaires, porter systématiquement une protection oculaire homologuée ANSI Z87.1. Le carbure est un matériau dur mais cassant. Tout objet étranger dans la pièce à usiner, comme des fils ou des clous, pourrait faire craquer ou casser les dents de scie. Utiliser la scie seulement avec son carter de lame installé de façon adéquate. Installer la lame soigneusement, vérifier sa rotation, sa propreté et son affutage avant toute utilisation.*

⚠ AVERTISSEMENT : **NE JAMAIS** découper de métaux ferreux (contenant du fer ou de l'acier), de la maçonnerie, du verre, ou de la faïence avec cette scie pour prévenir tout risque de dommages corporels et matériels.

Une lame émoussée causera des coupes grossières, surchargera le moteur de la scie, causera le clivage du bois et augmentera les risques de rebonds. Changez les lames lorsqu'elles ne traversent plus le bois facilement, lorsque le moteur peine, ou lorsque la lame chauffe excessivement. Il est conseillé d'avoir des lames de rechange pour ne jamais en manquer. Les lames émoussées peuvent être affûtées un peu partout. Se reporter à la section des pages jaunes SCIÉS-AIGUISER/AFFÛTER. On peut retirer la gomme durcie sur les lames à l'aide de kérosène, térébenthine, ou de nettoyant pour fours. Des lames traitées anticollage peuvent être utilisées en cas d'accumulation excessive comme avec les bois verts ou traités sous pression.

SÉLECTION DE LA LAME

La scie à rail DEWALT a été conçue pour être utilisée avec des lames de 165 mm (6-1/2 po) de diamètre pour un diamètre d'alésage de 20 mm (0,79 po). Les lames doivent pouvoir fonctionner à 6000 r/min (ou plus). **NE PAS** utiliser de meules abrasives.

Une lame mixte est fournie avec votre scie. C'est une lame excellente pour des opérations générales de coupes longitudinales ou transversales. Utilisez une lame à dents fines pour découper le contreplaqué

⚠ AVERTISSEMENT : **VÉRIFIER VISUELLEMENT LES LAMES AU CARBURE AVANT TOUTE UTILISATION. LES CHANGER SI NÉCESSAIRE.**

Dispositif de rail de scie (fig. 1)

Les rails de guidage, disponibles en différentes longueurs, permettent d'effectuer des coupes précises et nettes tout en protégeant la surface de la pièce à usiner contre tout dommage.

Conjointement avec d'autres accessoires, des coupes précises angulaires, à onglet et autre travail de précision, peuvent être effectués avec le dispositif de rail de scie.

Le fait d'arrimer la pièce avec des serre-joints permet d'assurer la sécurité de la pièce et du travail.

Le guide d'espacement du rail de guidage doit être très petit pour des résultats optimaux, et peut être ajusté grâce aux deux boutons de réglage de rails (J).

1. Desserrez la vis à l'intérieur du bouton de réglage de rail pour régler l'espacement.
2. Ajustez le bouton jusqu'à ce que la scie soit verrouillée sur le rail.
3. Dévissez le bouton jusqu'à ce que la scie glisse facilement.
4. Maintenez le bouton de réglage de rail tout en resserrant à nouveau la vis.

REMARQUE : Réajuster **SYSTÉMATIQUEMENT** le dispositif lorsqu'on utilise d'autres rails.

Bande anti-éclats

Le rail de guidage est équipé d'une bande anti-éclats qui doit être découpée à la taille désirée avant toute première utilisation.

IMPORTANT : Lire et suivre **SYSTÉMATIQUEMENT** les instructions relatives au dispositif de rail de scie avant de découper la bande anti-éclats !

1. Ajustez la vitesse de la scie à rail sur le niveau 5.
2. Placez le rail sur une chute de bois.
3. Réglez la scie à rail à une profondeur de coupe de 5 mm (3/16 po).
4. Placez la scie en bout de rail.
5. Mettez la scie en marche, abaissez-la à la profondeur de coupe configurée et coupez la bande anti-éclats complètement en continu. Le bord de la bande anti-éclats correspond maintenant exactement au tranchant de la lame.

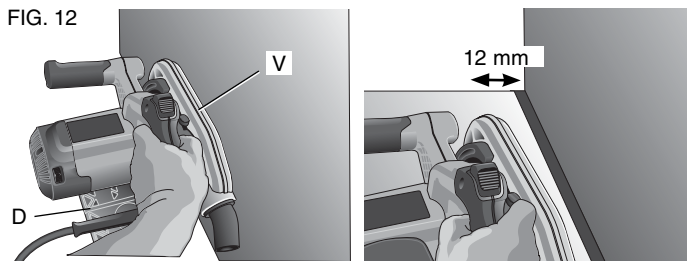
⚠ AVERTISSEMENT : Pour réduire tout risque de dommages corporels, arrimer **SYSTÉMATIQUEMENT** le rail (W) avec un serre-joint.

Coupe d'un mur (fig. 1, 12)

1. Placez la scie à rail avec son carter externe (V) sur un sol plane et net.
2. Appuyez le châssis (D) avec l'avant sur le mur contre la butée de profondeur ajustée.

REMARQUE : La coupe minimale entre le mur et la pièce à usiner est de 12 mm.

FIG. 12



Dépoussiérage (fig. 3)

⚠ AVERTISSEMENT : **NE PAS** diriger la sciure vers vous-même ou tout autre tiers. Pour réduire tout dommage corporel causé par la sciure, maintenir le déflecteur d'échappement en position avant ou fermée. **NE PAS** insérer d'objets étrangers dans le déflecteur d'échappement.

⚠ AVERTISSEMENT : Connecter **SYSTÉMATIQUEMENT** la scie à rail à un extracteur de poussières.

⚠ AVERTISSEMENT : Utiliser **SYSTÉMATIQUEMENT** un dispositif d'extraction des poussières conforme aux normes en vigueur en matière d'émissions des poussières.

Votre outil est muni d'une buse de dépoussiérage (I).

MAINTENANCE

⚠ AVERTISSEMENT : Pour réduire tout risque de dommages corporels, arrêter et débrancher la scie du secteur avant d'installer ou retirer tout accessoire, avant tout réglage ou pour faire toute réparation. Tout démarrage accidentel comporte des risques de dommages corporels.

⚠ AVERTISSEMENT : **PORTER SYSTÉMATIQUEMENT DES LUNETTES DE PROTECTION**. Les lunettes courantes **NE** sont

PAS des lunettes de protection. Utiliser aussi un masque antipoussières si la découpe doit en produire beaucoup. Porter SYSTÉMATIQUEMENT un équipement de sécurité homologué.

- Protection oculaire ANSI Z87.1 (CAN/CSA Z94.3) ;
- Protection auditive ANSI S12.6 (S3.19) ;
- Protection des voies respiratoires NIOSH/OSHA/MSHA.

Entretien

⚠ AVERTISSEMENT : Pour maintenir l'outil en bon état, il est conseillé d'éliminer régulièrement la poussière et les débris du boîtier du moteur à l'aide d'un jet d'air comprimé sec et net. Pour réduire tout risque de dommages corporels graves, porter SYSTÉMATIQUEMENT une protection oculaire homologuée ANSI Z87.1 pendant l'utilisation d'air comprimé.

⚠ AVERTISSEMENT : Pour l'entretien des parties en plastique de l'outil, utiliser seulement un savon doux et un chiffon humide. De nombreux nettoyeurs domestiques contiennent des produits chimiques qui pourraient sérieusement endommager le plastique. De plus, ne pas utiliser d'essence, de térébenthine, ou de diluant, de produits de nettoyage à sec, ou tout autre produit similaire qui pourrait sérieusement endommager les pièces en plastique. S'assurer qu'aucun liquide ne pénètre dans l'outil ; ne jamais immerger aucune partie de l'outil dans un liquide.

NETTOYAGE DU CHARGEUR

⚠ AVERTISSEMENT : Risques de chocs électriques. Débrancher le chargeur de la prise de courant alternatif avant tout entretien. Éliminer toute saleté ou graisse de la surface externe du chargeur à l'aide d'un chiffon ou d'une brosse non-métallique douce. Ne pas utiliser d'eau ou aucun nettoyant liquide.

Lubrification

Cet outil est lubrifié avec une quantité suffisante d'un lubrifiant de haute qualité pour toute la durée de vie de l'outil dans des conditions normales d'utilisation. Aucune autre lubrification ne sera nécessaire.

Balais de moteur

⚠ AVERTISSEMENT : Pour réduire tout risque de dommages corporels, NE PAS ATTACHER, COLLER OU VERROUILLER LA INTERRUPTEUR MARCHE/ARRÊT EN POSITION DE MARCHE en « marche à vide ». LA MAINTENIR MANUELLEMENT SEULEMENT.

Inspectez les balais de charbon régulièrement en débranchant l'outil, et en retirant le capuchon d'inspection des balais puis les modules de balais. Maintenez les balais propres et vérifiez qu'ils glissent librement dans leurs supports. Réinstallez systématiquement un nouveau balai dans son support en suivant la même orientation que celle de l'ancien balai. Les balais de charbon comportent des symboles variés imprimés sur leurs côtés, et si les balais sont usés au niveau de la ligne la plus proche du ressort, il faut les changer. N'utilisez que des balais de rechange DEWALT identiques. Remplacez systématiquement les deux balais en même temps. Le fait d'utiliser un balai de calibre adéquat est essentiel pour le bon fonctionnement des freins électriques. Des modules de balais sont à votre disposition chez votre dépositaire local DEWALT agréé. Faites tourner l'outil à vide une dizaine de minutes (à vide et sans lame) avant utilisation pour d'installer de nouveaux balais. C'est particulièrement important pour les scies équipées de freins électriques, qui pourraient fonctionner de façon imprévisible tant que les balais n'auront pas été installés correctement (ou seront usés).

Accessoires

⚠ AVERTISSEMENT : *Comme les accessoires autres que ceux offerts par DEWALT n'ont pas été testés avec ce produit, leur utilisation avec cet appareil pourrait comporter un danger. Pour réduire tout risque de dommages corporels, seuls des accessoires DEWALT recommandés doivent être utilisés avec cet appareil.*

⚠ AVERTISSEMENT : *NE PAS UTILISER D'ACCESSOIRES D'ALIMENTATION EN EAU AVEC CETTE SCIE.*

⚠ AVERTISSEMENT : *VÉRIFIER VISUELLEMENT LES LAMES AU CARBURE AVANT TOUTE UTILISATION. LES CHANGER SI NÉCESSAIRE.*

Les accessoires recommandés pour cet outil sont vendus séparément chez les distributeurs locaux ou dans les centres de réparation agréés. Si vous avez besoin d'aide pour localiser ces accessoires, veuillez contacter DEWALT Industrial Tool Co., 701 East Joppa Road, Baltimore, MD 21286 ou appeler 1-800-4-DEWALT (1-800-433-9258) ou vous rendre sur notre site www.dewalt.com.

Réparations

Le chargeur n'est pas réparable. Il ne comporte aucune pièce réparable par l'utilisateur.

Pour assurer votre SÉCURITÉ et la FIABILITÉ du produit, toute maintenance et tout réglage (y compris l'inspection et le remplacement des balais) doivent être effectués par un centre de réparation en usine DEWALT, un centre de réparation DEWALT agréé ou tout autre personnel de réparation qualifié. Utilisez systématiquement des pièces de rechange d'origine.

Garantie limitée de trois ans

DEWALT réparera, sans frais, tout produit défectueux causé par un défaut de matériel ou de fabrication pour une période de trois ans à compter de la date d'achat. La présente garantie ne couvre

pas les pièces dont la défectuosité a été causée par une usure normale ou l'usage abusif de l'outil. Pour obtenir de plus amples renseignements sur les pièces ou les réparations couvertes par la présente garantie, visiter le site www.dewalt.com ou composer le 1 800 433-9258 (1 800 4-DEWALT). Cette garantie ne s'applique pas aux accessoires et ne vise pas les dommages causés par des réparations effectuées par un tiers. Cette garantie confère des droits légaux particuliers à l'acheteur, mais celui-ci pourrait aussi bénéficier d'autres droits variant d'un état ou d'une province à l'autre.

En plus de la présente garantie, les outils DEWALT sont couverts par notre :

CONTRAT D'ENTRETIEN GRATUIT D'UN AN

DEWALT entretiendra l'outil et remplacera les pièces usées au cours d'une utilisation normale et ce, gratuitement, pendant une période d'un an à compter de la date d'achat.

CONTRAT D'ENTRETIEN GRATUIT DE DEUX ANS SUR LES BLOC-PILES DEWALT

DC9096, DC9091, DC9071, DC9360 et DC9280 et la

GARANTIE DE REMBOURSEMENT DE 90 JOURS

Si l'acheteur n'est pas entièrement satisfait, pour quelque raison que ce soit, du rendement de l'outil électrique, du laser ou de la cloueuse DEWALT, celui-ci peut le retourner, accompagné d'un reçu, dans les 90 jours à compter de la date d'achat pour obtenir un remboursement intégral, sans aucun problème.

AMÉRIQUE LATINE : Cette garantie ne s'applique aux produits vendus en Amérique latine. Pour ceux-ci, veuillez consulter les informations relatives à la garantie spécifique présente dans l'emballage, appeler l'entreprise locale ou consulter le site Web pour les informations relatives à cette garantie.

REEMPLACEMENT GRATUIT DES ÉTIQUETTES D'AVERTISSEMENT : Si les étiquettes d'avertissement deviennent illisibles ou sont manquantes, composer le 1-800-4-DEWALT pour en obtenir le remplacement gratuit.

DC351
6 1/2" (165mm)
TRACK SAW

SER. [REDACTED]

⚠ DANGER KEEP HANDS AND BODY AWAY FROM AND TO THE SIDE OF THE BLADE. CONTACT WITH BLADE WILL RESULT IN SERIOUS INJURY. TO REDUCE THE RISK OF INJURY, USER MUST READ INSTRUCTION MANUAL. CHECK GUARDING SYSTEM. IT MUST COVER THE BLADE INSTANTLY. HOLD SAW WITH BOTH HANDS, SUPPORT AND CLAMP WORK. WEAR EYE PROTECTION, ALWAYS USE PROPER RESPIRATORY PROTECTION, ALWAYS USE WITH DEWALT BATTERIES.

⚠ PELIGRO MANTENGA LAS MANOS Y EL CUERPO ALEJADOS DE LA HOJA Y A UN LADO DE LA MISMA. EL CONTACTO CON LA HOJA PROVOCA LESIONES GRAVES.

⚠ ADVERTENCIA PARA REDUCIR EL RIESGO DE LESIONES, EL USUARIO DEBERÁ LEER EL MANUAL DE INSTRUCCIONES. VERIFIQUE EL SISTEMA DE PROTECCIÓN. DEBE CUBRIR LA HOJA EN FORMA INSTANTÁNEA. SOSTENGA LA SIERRA CON AMBAS MANOS, SOPORTE Y SUJETE LAS PIEZAS DE TRABAJO. SIEMPRE SE DEBERÁ LLEVAR LA PROTECCIÓN APROPIADA PARA LA VISTA Y PARA LAS VÍAS RESPIRATORIAS. EL PRODUCTO SE DEBERÁ EMPLEAR SOLAMENTE CON BATERÍAS DEWALT.

⚠ DANGER TENIR LES MAINS ET TOUTE AUTRE PARTIE DU CORPS ÉLOIGNÉES DE LA LAME ET SUR LE CÔTÉ DE CELLE-CI. TOUT CONTACT AVEC LA LAME RISQUE DE CAUSER DE GRAVES BLESSURES.

⚠ AVERTISSEMENT POUR RÉDUIRE LE RISQUE DE BLESSURES, LIRE LE GUIDE D'UTILISATION. VÉRIFIER LE DISPOSITIF DE PROTECTION. IL DOIT RECOUVRIR INSTANTANÉMENT LA LAME! TENIR LA SCIE DES DEUX MAINS. SOUTENIR ET FIXER LA PIÈCE À OUVRIER. IL FAUT TOUJOURS PORTER DE L'ÉQUIPEMENT DE PROTECTION OCULAIRE ET RESPIRATOIRE APPROPRIÉ. UTILISER SEULEMENT AVEC DES PILES DEWALT.

DEWALT INDUSTRIAL TOOL CO., BALTIMORE, MD 21286 U.S.A.
FOR SERVICE INFORMATION, CALL 1-800-4-DEWALT www.DEWALT.com

Corian® est une marque de commerce déposée d'E. I. du Pont de Nemours et Compagnie.

Français

Definiciones: Normas de seguridad

Las siguientes definiciones describen el nivel de gravedad de cada palabra de señal. Lea el manual y preste atención a estos símbolos.

⚠ PELIGRO: indica una situación de peligro inminente que, si no se evita, provocará **la muerte o lesiones graves**.

⚠ ADVERTENCIA: indica una situación de peligro potencial que, si no se evita, **podría provocar la muerte o lesiones graves**.

⚠ ATENCIÓN: indica una situación de peligro potencial que, si no se evita, **posiblemente** provocaría **lesiones leves o moderadas**.

ATENCIÓN: cuando se utiliza sin el símbolo de alerta de seguridad indica una situación de peligro potencial que, si no se evita, **puede provocar daños en la propiedad**.

SI TIENE ALGUNA DUDA O ALGÚN COMENTARIO SOBRE ÉSTA U OTRA HERRAMIENTA DEWALT, LLÁMENOS AL NÚMERO GRATUITO: 1-800-4-DEWALT (1-800-433-9258).



ADVERTENCIA: Para reducir el riesgo de lesiones, lea el manual de instrucciones.

ADVERTENCIAS GENERALES DE SEGURIDAD PARA HERRAMIENTAS ELÉCTRICAS



¡ADVERTENCIA! Lea todas las advertencias de seguridad e instrucciones. El incumplimiento de las advertencias e instrucciones puede provocar descargas eléctricas, incendios o lesiones graves.

CONSERVE TODAS LAS ADVERTENCIAS E INSTRUCCIONES PARA FUTURAS CONSULTAS

El término "herramienta eléctrica" incluido en las advertencias hace referencia a las herramientas eléctricas operadas con corriente (con cable eléctrico) o a las herramientas eléctricas operadas con baterías (inalámbricas).

1) SEGURIDAD EN EL ÁREA DE TRABAJO

- Mantenga el área de trabajo limpia y bien iluminada.** Las áreas abarrotadas y oscuras propician accidentes.
- No opere las herramientas eléctricas en atmósferas explosivas, como ambientes donde haya polvo, gases o líquidos inflamables.** Las herramientas eléctricas originan chispas que pueden encender el polvo o los vapores.
- Mantenga alejados a los niños y a los espectadores de la herramienta eléctrica en funcionamiento.** Las distracciones pueden provocar la pérdida de control.

2) SEGURIDAD ELÉCTRICA

- Los enchufes de la herramienta eléctrica deben adaptarse al tomacorriente. Nunca modifique el enchufe de ninguna manera. No utilice ningún enchufe adaptador con herramientas eléctricas con conexión a tierra.** Los enchufes no modificados y que se adaptan a los tomacorrientes reducirán el riesgo de descarga eléctrica.
- Evite el contacto corporal con superficies con descargas a tierra como, por ejemplo, tuberías, radiadores, cocinas eléctricas y refrigeradores.** Existe mayor riesgo de descarga eléctrica si su cuerpo está puesto a tierra.
- No esponga las herramientas eléctricas a la lluvia o a condiciones de humedad.** Si entra agua a una herramienta eléctrica, aumentará el riesgo de descarga eléctrica.

- d) **No maltrate el cable. Nunca utilice el cable para transportar, tirar o desenchufar la herramienta eléctrica. Mantenga el cable alejado del calor, el aceite, los bordes filosos y las piezas móviles.** Los cables dañados o enredados aumentan el riesgo de descarga eléctrica.
- e) **Al operar una herramienta eléctrica en el exterior, utilice un cable prolongador adecuado para tal uso.** Utilice un cable adecuado para uso en exteriores a fin de reducir el riesgo de descarga eléctrica.
- f) **Si el uso de una herramienta eléctrica en un lugar húmedo es imposible de evitar, utilice un suministro protegido con un interruptor de circuito por falla a tierra (GFCI).** El uso de un GFCI reduce el riesgo de descargas eléctricas.

3) SEGURIDAD PERSONAL

- a) **Permanezca alerta, controle lo que está haciendo y utilice el sentido común cuando emplee una herramienta eléctrica. No utilice una herramienta eléctrica si está cansado o bajo el efecto de drogas, alcohol o medicamentos.** Un momento de descuido mientras se opera una herramienta eléctrica puede provocar lesiones personales graves.
- b) **Utilice equipos de protección personal. Siempre utilice protección para los ojos.** En las condiciones adecuadas, el uso de equipos de protección, como máscaras para polvo, calzado de seguridad antideslizante, cascos o protección auditiva, reducirá las lesiones personales.
- c) **Evite el encendido por accidente. Asegúrese de que el interruptor esté en la posición de apagado antes de conectarlo a la fuente de energía o paquete de baterías, o antes de levantar o transportar la herramienta.** Transportar herramientas eléctricas con el dedo apoyado en el interruptor

o enchufar herramientas eléctricas con el interruptor en la posición de encendido puede propiciar accidentes.

- d) **Retire la clavija de ajuste o la llave de tuercas antes de encender la herramienta eléctrica.** Una llave de tuercas o una clavija de ajuste que quede conectada a una pieza giratoria de la herramienta eléctrica puede provocar lesiones personales.
- e) **No se estire. Conserve el equilibrio y párese adecuadamente en todo momento.** Esto permite un mejor control de la herramienta eléctrica en situaciones inesperadas.
- f) **Use la vestimenta adecuada. No use ropas holgadas ni joyas. Mantenga el cabello, la ropa y los guantes alejados de las piezas en movimiento.** Las ropas holgadas, las joyas o el cabello largo pueden quedar atrapados en las piezas en movimiento.
- g) **Si se suministran dispositivos para la conexión de accesorios con fines de recolección y extracción de polvo, asegúrese de que estén conectados y que se utilicen correctamente.** El uso de dispositivos de recolección de polvo puede reducir los peligros relacionados con el polvo.

4) USO Y MANTENIMIENTO DE LA HERRAMIENTA ELÉCTRICA

- a) **No fuerce la herramienta eléctrica. Utilice la herramienta eléctrica correcta para el trabajo que realizará.** Si se la utiliza a la velocidad para la que fue diseñada, la herramienta eléctrica correcta permite trabajar mejor y de manera más segura.
- b) **No utilice la herramienta eléctrica si no puede encenderla o apagarla con el interruptor.** Toda herramienta eléctrica que no pueda ser controlada mediante el interruptor es peligrosa y debe repararse.

- c) **Desconecte el enchufe de la fuente de energía o el paquete de baterías de la herramienta eléctrica antes de realizar ajustes, cambiar accesorios o almacenar la herramienta eléctrica.** Estas medidas de seguridad preventivas reducen el riesgo de encender la herramienta eléctrica en forma accidental.
 - d) **Guarde la herramienta eléctrica que no esté en uso fuera del alcance de los niños y no permita que otras personas no familiarizadas con ella o con estas instrucciones operen la herramienta.** Las herramientas eléctricas son peligrosas si son operadas por usuarios no capacitados.
 - e) **Realice el mantenimiento de las herramientas eléctricas. Revise que no haya piezas en movimiento mal alineadas o trabadas, piezas rotas o cualquier otra situación que pueda afectar el funcionamiento de la herramienta eléctrica. Si encuentra daños, haga reparar la herramienta eléctrica antes de utilizarla.** Se producen muchos accidentes a causa de las herramientas eléctricas que carecen de un mantenimiento adecuado.
 - f) **Mantenga las herramientas de corte afiladas y limpias.** Las herramientas de corte con mantenimiento adecuado y con los bordes de corte afilados son menos propensas a trabarse y son más fáciles de controlar.
 - g) **Utilice la herramienta eléctrica, los accesorios y las brocas de la herramienta, etc. de acuerdo con estas instrucciones y teniendo en cuenta las condiciones de trabajo y el trabajo que debe realizarse.** El uso de la herramienta eléctrica para operaciones diferentes de aquéllas para las que fue diseñada podría originar una situación peligrosa.
- 5) USO Y CUIDADO DE LA HERRAMIENTA DE BATERÍAS.**
- a) **Para recargar use únicamente el cargador especificado por el fabricante.** Un cargador que es adecuado para un

tipo de unidad de alimentación, puede crear riesgo de fuego cuando se usa con otro tipo de unidad de alimentación.

- b) **Use las maquinas herramientas solamente con la unidad de alimentación específicamente designada.** El uso de cualquier otro tipo de unidad de alimentación puede crear riesgo de lesiones y fuego.
 - c) **Cuando la unidad de alimentación no se esta usando, manténgala alejada de otros objetos metálicos como clips para papel, monedas, llaves, clavos, tornillos u otros objetos pequeños que pueden hacer conexión de una terminal a la otra.** Hacer corto circuito con las terminales de la batería puede causar quemaduras o fuego.
 - d) **Bajo condiciones de abuso, la batería puede expulsar líquido, evite el contacto. Si accidentalmente se tiene contacto, enjuague con agua. Si el líquido entra en sus ojos, además busque ayuda médica.** El líquido expulsado por la batería puede causar irritación y quemaduras.
- 6) MANTENIMIENTO**
- a) **Solicite a una persona calificada en reparaciones que realice el mantenimiento de su herramienta eléctrica y que sólo utilice piezas de repuesto idénticas.** Esto garantizará la seguridad de la herramienta eléctrica.

REGLAS ESPECÍFICAS DE SEGURIDAD ADICIONALES

Instrucciones de Seguridad para Todas las Sierras

- a) **⚠ PELIGRO: Mantenga las manos alejadas del área de corte y de la hoja. Mantenga su segunda mano en el mango auxiliar o en el alojamiento del motor.** Si ambas manos sujetan la sierra, ellas no pueden ser cortadas por la hoja.

- b) **No se coloque por debajo de la pieza de trabajo.** El protector no puede protegerlo de la hoja abajo de la pieza de trabajo.
- c) **Ajuste la profundidad de corte al espesor de la pieza de trabajo.** Menos de un diente completo de la hoja deberá ser visible abajo de la pieza de trabajo.
- d) **Nunca sujete la pieza que esta cortando con sus manos o a través de su pierna. Asegure la pieza de trabajo a una plataforma estable.** Es importante soportar la pieza de trabajo adecuadamente para minimizar la exposición del cuerpo, trabado de la hoja o pérdida de control.
- e) **Sujete la maquina herramienta por las superficies aislantes cuando lleve a cabo una operación en que la herramienta de corte puede tocar un conductor oculto o su propio cable.** El contacto con un cable cargado, cargará a su vez las partes metálicas expuestas de la herramienta y dará un golpe de corriente al operador.
- f) **Cuando se corte a lo largo use siempre una protección para este propósito o una guía de orilla recta.** Esto mejora la exactitud del corte y reduce la posibilidad de trabado de la hoja.
- g) **Siempre use hojas con el tamaño y forma adecuados (diamante contra redondo) para el orificio de la flecha.** Las hojas que no coinciden con el dispositivo de montaje de la sierra, se moverán excéntricamente, causando perdida de control.
- h) **Nunca use una hoja dañada o rondanas o tornillo incorrectos.** Las rondanas de la hoja y el tornillo fueron diseñados específicamente para su sierra, para lograr un óptimo desempeño y seguridad en la operación.

CAUSAS Y PREVENCIÓN DEL REBOTE POR EL OPERADOR

- El rebote es una reacción repentina a una hoja de sierra trabada o mal alineada lo cual causa que la sierra pierda el control y que se levante y rebote contra la pieza de trabajo en la dirección del operador.
- Cuando la hoja pellizca o se traba fuertemente por la ranura que se va cerrando, la hoja se detiene y la reacción del motor impulsa a la unidad rápidamente para atrás y hacia el operador.
- Si la hoja se tuerce o se desalinea en el corte, los dientes en la orilla trasera de la hoja pueden clavarse en la superficie superior de la madera, causando que la hoja se monte fuera de la ranura y brinque para atrás hacia el operador.

El rebote es el resultado del mal uso de la herramienta y/o procesos de operación o condiciones incorrectos que pueden evitarse tomando las precauciones adecuadas como las que se dan en seguida:

- a) **Mantenga la sierra firmemente sujeta con las dos manos y coloque su cuerpo y brazo de modo que le permita resistir las fuerzas del rebote.** Las fuerzas de rebote pueden ser controladas por el operador, si se toman las precauciones adecuadas.
- b) **Cuando la hoja se está trabando, o cuando se interrumpe un corte por cualquier razón, suelte el gatillo y sujete la sierra sin moverla en el material hasta que la hoja se detenga totalmente. Nunca intente retirar la sierra de la pieza de trabajo o jalar la sierra hacia atrás mientras la hoja se está moviendo ya que puede ocurrir rebote.** Investigue y tome acciones correctivas para eliminar las causas del trabado de la hoja.
- c) **Cuando reinicie la sierra en la pieza de trabajo, centre la hoja de la sierra en la ranura y verifique que los dientes**

de la hoja no están enclavados en el material. Si la hoja se está trabando, esta se subirá o rebotará en la pieza de trabajo en el momento que se reinicie la sierra.

- d) **Soporte los paneles largos para minimizar el riesgo de pellizco con la hoja y rebote.** Los paneles largos tienden a hundirse a causa de su propio peso. Los soportes deben ser colocados por debajo del panel en ambos lados, cerca de la línea de corte y cerca de la orilla del panel.
- e) **No use una hoja desafilada o dañada.** Las hojas desafiladas o colocadas inadecuadamente producen ranuras angostas que causan fricción excesiva, trabado de la hoja y rebote.
- f) **La profundidad de la hoja y las palancas de ajuste y bloqueo para biseles deben ser apretadas y aseguradas antes de hacer un corte.** Si el ajuste de la hoja se desplaza mientras se corta, esto puede causar trabado y rebote.
- g) **Use extra precaución cuando haga un “Corte de Inmersión” en paredes existentes u otras áreas ciegas (sin salida).** La hoja sobresaliente podría cortar objetos que pueden causar rebote.

Instrucciones de Seguridad para las Sierras Tipo- Inmersión.

- a) **Verifique que la protección cierre adecuadamente antes de cada uso. No opere la sierra si la protección no se mueve libremente y encierra la hoja instantáneamente. Nunca sujete o amarre la protección con la hoja expuesta.** Si la sierra se cae accidentalmente, la protección se puede doblar. Verifique para asegurarse que la protección se mueve libremente y no toca la hoja ni ninguna otra parte, en todos los ángulos y profundidades de corte.
- b) **Verifique la operación y condición del resorte de retorno de la protección. Si la protección y el resorte no están**

operando adecuadamente, deben ser reparados antes de usarse. La protección puede operar con dificultad debido a partes dañadas, depósitos de goma o acumulación de desechos.

- c) **Asegúrese de que la placa guía de la sierra no se desplace mientras se ejecuta el “corte de inmersión” cuando el ajuste de biselado de la cuchilla no está a 90°.** El desplazamiento lateral de la hoja causará trabado y probablemente rebote.
- d) **Siempre observe que la protección esté cubriendo la hoja antes de colocarla en el banco de trabajo o sobre el piso.** Una hoja que aún gira no protegida, causará que la sierra camine hacia atrás, cortando lo que se atravesase en su camino. Este conciente del tiempo que toma para que la hoja se detenga después de que se suelta el botón de arranque.

Instrucciones de Seguridad Adicionales para Todas las Sierras con Navaja Separadora

- a) **Use la navaja separadora apropiada para la hoja que se esta usando.** Para que la navaja separadora trabaje, debe ser más gruesa que el cuerpo de la hoja pero más delgada que el conjunto de dientes de la hoja.
- b) **Ajuste la navaja separadora como se describe en este manual de instrucciones.** El espaciamiento, posicionamiento y alineación incorrectos pueden hacer que la navaja separadora sea inefectiva en la prevención del rebote.
- c) **Use siempre la navaja separadora excepto cuando haga cortes de inmersión.** La navaja separadora se debe recolocar después del corte de inmersión. La navaja

separadora causa interferencia durante el corte de inmersión y puede generar rebote. El modelo DC351 no requiere retirar la navaja separadora, porque la navaja separadora se retrae durante el corte de inmersión.

- d) **Para que la navaja separadora trabaje, debe estar sujeta la pieza de trabajo.** La navaja separadora no es efectiva en la prevención de rebote durante cortes cortos.
- e) **No opere la sierra si la navaja separadora esta doblada.** Aún una interferencia ligera puede disminuir el ritmo de cierre de una protección.

Instrucciones de Seguridad Adicionales para Sierras

- **Use protección auditiva.** La exposición al ruido puede ocasionar pérdida de la audición.
- **Use una mascarera contra polvo.** La exposición a partículas de polvo puede causar dificultad para respirar y posibles lesiones.
- **Use solamente las hojas recomendadas.** La sierra está diseñada para usarse con hojas de 165 mm (6-1/2 pulg.) de diámetro con orificio de montaje de 20 mm (0.79 pulg.) de diámetro interior. Las hojas deben estar clasificadas para una operación de 6,000 RPM (o mayor).
- **Nunca use discos abrasivos de corte.**
- **Mantenga su cuerpo posicionado en cualquiera de los lados de la hoja, pero no en línea con la hoja de la sierra.** El rebote puede causar que la sierra brinque hacia atrás (vea Causas y Prevención del Rebote por el Operador y Rebote).
- **ATENCIÓN:** Las hojas siguen girando después de apagar la sierra. Puede resultar en lesiones corporales serias.
- **Evite cortar clavos. Inspeccione y retire todos los clavos de la madera antes de cortar.**

ALARGADORES

Un alargador debe tener el calibre de alambre adecuado (AWG o Calibre Americano de Alambre) por razones de seguridad. Mientras menor sea el calibre del alambre, mayor la capacidad del cable. Es decir, un alambre calibre 16 tiene mayor capacidad que uno calibre 18. Un cable de un calibre insuficiente causará una caída de tensión en la línea dando por resultado una pérdida de potencia y sobrecalentamiento. Cuando se utilice más de un alargador para completar el largo total, asegúrese que cada extensión individual contiene el calibre mínimo de alambre. La tabla siguiente muestra el tamaño correcto a utilizar, dependiendo de la longitud del cable y del amperaje nominal en la placa de identificación. Si tiene dudas sobre cuál calibre a usar, use un calibre mayor. Cuanto más pequeño es el número del calibre, es más grueso el cable.

CALIBRE MÍNIMO PARA JUEGOS DE CABLES						
Amperaje Nominal		Voltios	Longitud Total del Cable en Pies (metros)			
		120V	25 (7.6)	50 (15.2)	100 (30.5)	150 (45.7)
		240V	50 (15.2)	100 (30.5)	200 (61.0)	300 (91.4)
Más De	No Más De	AWG				
0	6		18	16	16	14
6	10		18	16	14	12
10	12		16	16	14	12
12	16		14	12	No recomendado	

- **Las ventanas de aire a menudo cubren partes en movimiento y se deben evitar.** La ropa suelta, joyería o pelo largo pueden ser atrapados por las partes en movimiento.

- Los accesorio deben estar clasificados para por lo menos la velocidad recomendada en la etiqueta de advertencia de la herramienta. Los accesorios moviéndose a velocidades por encima de la clasificada pueden salir volando en pedazos y causar lesiones. La clasificación de los accesorios siempre debe estar por encima de la velocidad de la herramienta mostrada en la placa de identificación de la misma.

⚠ ADVERTENCIA: USE SIEMPRE protección auditiva personal que cumpla con ANSI S12.6 (S3.19), durante el uso de la sierra. Bajo algunas condiciones y duración del uso, el ruido producido por este producto puede contribuir a la pérdida auditiva.

⚠ ADVERTENCIA: SIEMPRE use lentes de seguridad. Los anteojos de uso diario NO son lentes de seguridad. Utilice también una máscara para la cara o guardapolvo si la operación de corte genera polvo. SIEMPRE USE EQUIPO DE SEGURIDAD CERTIFICADO:

- ANSI Z87.1 protección ocular (CAN/CSA Z94.3),
- ANSI S12.6 (S3.19) protección auditiva,
- Protección respiratoria NIOSH/OSHA/MSHA.

⚠ ADVERTENCIA: Algunas partículas de polvo generadas al lijar, serrar, esmerilar y taladrar con herramientas eléctricas, así como al realizar otras actividades de construcción, contienen químicos que el Estado de California sabe que pueden producir cáncer, defectos congénitos u otras afecciones reproductivas. Ejemplos de estos químicos son:

- plomo de algunas pinturas,
- polvo de sílice proveniente de ladrillos y cemento y otros productos de albañilería, y
- arsénico y cromo proveniente de madera tratada químicamente (CCA).

Su riesgo de estas exposiciones varía, dependiendo de que tan seguido ejecuta este tipo de trabajo. Para reducir su exposición

a estos químicos: trabaje en un área bien ventilada, y trabaje con equipo de seguridad aprobado, tal como esas mascarillas contra polvo que son especialmente diseñadas para filtrar partículas microscópicas.

- **Evite el contacto prolongado con polvo generado por el lijado, serrchado, pulido y taladrado mecánico y otras actividades de construcción. Vista ropas protectoras y lave las áreas de la piel expuestas con agua y jabón.** Si permite que el polvo se introduzca en su boca o sus ojos, o que quede sobre la piel, puede favorecer la absorción de químicos peligrosos.

⚠ ADVERTENCIA: La utilización de esta herramienta puede generar polvo o dispersarlo, lo que podría causar lesiones graves y permanentes al sistema respiratorio, así como otros problemas. Siempre use protección respiratoria aprobada por NIOSH (Instituto Nacional de Seguridad y Salud en el Trabajo) u OSHA (Administración de Seguridad y Salud en el Trabajo) apropiada para la exposición al polvo. Dirija las partículas en dirección contraria a la cara y el cuerpo.

- La etiqueta de su herramienta puede incluir los símbolos siguientes. Los símbolos y sus definiciones son como sigue:

V..... voltios	A..... amperios
Hz..... hertzios	W.... vatios
min minutos	~ .. corriente alterna
=== ... corriente directa	≈ .. corriente alterna o directa
⚠ Construcción Clase I (con conexión a tierra)	n _o velocidad sin carga
⚠ Construcción Clase II (con doble aislamiento)	⊕ terminal para conexión a tierra
.../min .. por minuto	⚠ símbolo de alerta de seguridad
BPM.... impactos por minuto	RPM .. revoluciones por minuto

Instrucciones de Seguridad Importantes para Cargadores de Baterías

GUARDE ESTAS INSTRUCCIONES: Este manual contiene instrucciones de seguridad importantes para los cargadores de baterías.

- Antes de usar el cargador, lea todas las instrucciones y advertencias que se encuentran en el cargador, en la unidad de alimentación y en el producto que usa la unidad de alimentación.

⚠ **ADVERTENCIA:** Riesgo de descarga eléctrica. No permita que ningún líquido entre al cargador.

⚠ **ATENCIÓN:** Riesgo de quemadura. Para reducir el riesgo de lesiones, cargue solamente baterías DEWALT. Otro tipo de baterías puede reventar causando lesiones personales y daños.

⚠ **ATENCIÓN:** Bajo ciertas condiciones, con el cargador conectado al suministro de energía, el cargador puede ser puesto en corto circuito por material externo. Materiales externos de naturaleza conductiva tales como, pero no limitado a, lana de acero, papel de aluminio o cualquier acumulación de partículas metálicas deben mantenerse alejadas de las cavidades del cargador. Siempre desconecte el cargador del suministro de energía cuando no haya una unidad de alimentación en la cavidad. Desconecte el cargador antes de intentar limpiarlo.

- **NO intente cargar la unidad de alimentación con otros cargadores que no sean los descritos en este manual.** El cargador y la unidad de alimentación están diseñados específicamente para trabajar en conjunto.
- **Estos cargadores no están destinados a otro uso que no sea cargar baterías recargables DEWALT.** Cualquier otro uso puede resultar en riesgo de fuego, descarga eléctrica o electrocución.

- **No exponga el cargador a la lluvia o la nieve.**
- **Tire del enchufe y no del cable cuando desconecte el cargador.** De esta forma se reduce el riesgo de daño al enchufe y cable.
- **Asegúrese de que el cable eléctrico este colocado de manera que no lo pise nadie, se tropiece con el o quede expuesto a estiramiento o daño.**
- **No use un alargador a menos que sea absolutamente necesario.** El uso de un alargador no adecuado puede resultar en riesgo de fuego, descarga eléctrica o electrocución.
- **Un alargador debe tener el calibre de alambre adecuado (AWG o Calibre Americano de Alambre) por razones de seguridad.** Mientras menor sea el calibre del alambre, mayor la capacidad del cable. Es decir, un alambre calibre 16 tiene mayor capacidad que uno calibre 18. Cuando se utilice más de un alargador para completar el largo total, asegúrese que cada alargador individual contiene el calibre mínimo de alambre.
- **No coloque ningún objeto encima del cargador, ni coloque el cargador encima de una superficie blanda que pudiera bloquear las ranuras de ventilación y resultar en calor interno excesivo.** Coloque el cargador en un lugar alejado de cualquier fuente de calor. El cargador se ventila a través de las ranuras que se encuentran en la parte superior e inferior de la caja protectora.
- **No monte el cargador sobre la pared ni lo fije permanente a ninguna superficie.** El cargador esta concebido para usarse en una superficie plana estable (esto es, encima de una mesa, encima de un banco de trabajo).
- **No opere el cargador con un cable o enchufe dañado – cámbielos de inmediato.**
- **No opere el cargador si ha recibido un golpe fuerte, si se ha dejado caer o si ha sido dañado de alguna otra forma.** Llévelo a un centro de servicio autorizado.

- **No desarme el cargador; llévelo a un centro de servicio autorizado cuando requiera de servicio o deba ser reparado.** Si es reensamblado incorrectamente, puede causar descargas eléctricas, electrocución o fuego.
- **Desenchufe el cargador antes de intentar limpiarlo de cualquier manera. Esto reducirá el riesgo de descarga eléctrica.** El retirar la unidad de alimentación no reducirá este riesgo.
- **NUNCA** intente conectar 2 cargadores juntos.
- **El cargador está diseñado para trabajar con energía eléctrica doméstica estándar (120 Voltios). No intente usarlo con ningún otro voltaje.**

GUARDE ESTAS INSTRUCCIONES

Introducción

El cargador DC9000 está diseñado para cargar unidades de alimentación DEWALT en aproximadamente 1 hora. El cargador no requiere ajuste y está diseñado para ser operado tan fácilmente como es posible. Simplemente coloque su unidad de alimentación en un cargador conectado y automáticamente cargará la unidad.

Instrucciones de Seguridad Importantes para Unidades de Alimentación

⚠ ADVERTENCIA: Para una operación segura, lea este manual y los manuales suministrados originalmente con la herramienta, antes de usar el cargador.

Cuando solicite unidades de alimentación de repuesto, no olvide indicar el número de catálogo y el voltaje. Consulte la tabla contenida en este manual para ver la compatibilidad entre cargadores y unidades de alimentación.

La unidad de alimentación no viene completamente cargada de fábrica. Antes de usar la unidad de alimentación y el cargador, lea las siguientes instrucciones de seguridad. Luego, siga los procedimientos de carga indicados.

LEA TODAS LAS INSTRUCCIONES

- **No incinere la unidad de alimentación, aunque esté severamente dañada o descargada.** La unidad de alimentación puede explotar si se quema. Cuando se queman unidades de alimentación de iones de litio, se producen gases y materiales tóxicos.
- **No cargue o use baterías en atmósferas explosivas, tales como en presencia de líquidos inflamables, gases o polvo.** El insertar o retirar la batería del cargador puede encender el polvo o humos.
- **Si el contenido de la batería entra en contacto con la piel, lave el área de inmediato con agua y un jabón suave.** Si el líquido de la batería entra en contacto con sus ojos, enjuague con agua sobre los ojos abiertos por 15 minutos o hasta que cese la irritación. Si se requiere de asistencia médica, el electrolito de la batería está compuesto por una mezcla de carbonatos orgánicos líquidos y sales de litio.
- **El contenido de las celdas abiertas de la batería puede causar irritación en el tracto respiratorio.** Salga al aire fresco. Si los síntomas persisten, busque asistencia médica.
- **⚠ ADVERTENCIA:** Riesgo de quemadura. El líquido de la batería puede ser inflamable si se expone a chispas o llamas.
- **Cargue las unidades de alimentación solamente en cargadores DEWALT.**
- **NO lo salpique ni lo sumerja en agua u otros líquidos**

- **No guarde ni use la herramienta y unidad de alimentación en lugares donde la temperatura podría alcanzar o superar los 40°C (105° F), (tales como cobertizos o construcciones de metal en verano).**

⚠ ADVERTENCIA: Nunca intente abrir la unidad de alimentación por ningún motivo. Si la caja de la unidad de alimentación se rompe o está dañado, no lo inserte en el cargador. No aplaste, tire o dañe la unidad de alimentación. No use una unidad de alimentación o cargador que haya recibido un golpe fuerte, se haya tirado, sobre usado o dañado de alguna manera (esto es., perforado con un clavo, golpeado con un martillo, pisado). Las unidades de alimentación dañadas deben ser llevadas a un centro de servicio para reciclado.

⚠ ADVERTENCIA: Peligro de incendio. No guarde ni transporte las baterías de manera que objetos metálicos puedan hacer contacto con las terminales expuestas de las baterías. Por ejemplo no coloque baterías en delantales, bolsas, cajas de herramienta, cajas con conjuntos de producto, cajones, etc., con clavos sueltos, tornillos, llaves, etc. **El transporte de baterías puede causar incendios si sus terminales inadvertidamente entran en contacto con materiales conductores como llaves, monedas, herramientas de mano y otros por el estilo.** El Reglamento sobre Materiales Peligrosos (HMR) del Ministerio de Transporte de los Estados Unidos actualmente prohíbe el transporte de baterías en el comercio o en aviones (es decir, embaladas en maletas y maletines de mano) A NO SER que estén debidamente protegidas de cortos circuitos. Por lo tanto, cuando transporte baterías individuales, asegúrese de que sus terminales estén protegidas y debidamente aisladas de materiales que pudieran entrar en contacto con ellas y causar un cortocircuito.

El Sello RBRC™

El sello RBRC™ (Rechargeable Battery Recycling Corporation) en las baterías de iones de litio (o unidades de alimentación) indica que el costo de reciclar la unidad de alimentación al final de su vida útil, ya ha sido pagado por DEWALT.



RBRC™ en cooperación con DEWALT y otros usuarios de baterías, a establecido programas en los Estados Unidos para facilitar la recolección de baterías de iones de litio usadas. Ayude a proteger nuestro medio ambiente y conservar los recursos naturales retornando las baterías de iones de litio usadas a un centro de servicio autorizado DEWALT o a su distribuidor local para reciclado. También puede comunicarse con el centro de reciclaje de su localidad para que le informen acerca de los lugares donde puede regresar las baterías usadas.

RBRC™ es una marca registrada de *Rechargeable Battery Recycling Corporation*.

Recomendaciones de Almacenamiento

1. El mejor lugar de almacenamiento es uno que es frío y seco alejado de la luz directa del sol así como del calor o frío excesivos.
2. El almacenamiento prolongado no daña la unidad de alimentación o el cargador. Bajo condiciones adecuadas, pueden ser almacenados por 5 años o más.

Cargador

Su unidad de alimentación requiere 1 hora en el cargador DEWALT. Asegúrese de leer todas las instrucciones de seguridad antes de usar su cargador. Consulte la tabla al final de este manual para ver la compatibilidad entre cargadores y unidades de alimentación.

Procedimiento de Carga

1. Conecte el cargador en un contacto eléctrico adecuado antes de insertar la unidad de alimentación.
2. Inserte la unidad de alimentación en el cargador. El cargador está equipado con un indicador de carga de tres luces que parpadeará de acuerdo con el estado de carga de la unidad de alimentación.
3. La carga completa se indica cuando las tres luces rojas permanecen ENCENDIDAS continuamente. La unidad de alimentación está totalmente cargada y ahora puede ser usado o permanecer en el cargador.

	de 0% a 33%	la 1ª luz titila
	de 33% a 66%	la 1ª luz permanece encendida y la 2ª luz titila
	de 66% a 99%	la 1ª y la 2ª luz permanecen encendidas y la 3ª titila
	al 100%	la 1ª, la 2ª y la 3ª luz permanecen encendidas

Diagnostico del Cargador

Este cargador está diseñado para detectar ciertos problemas que pueden surgir con la unidad de alimentación o con el cargador. Los problemas se indican con las tres luces rojas destellando con diferentes patrones.

LÍNEA DE ALIMENTACIÓN DE FUERZA CON PROBLEMA

Cuando se usa el cargador con alguna fuente de alimentación portátil, tal como generadores o fuentes que convierten CD (corriente directa) a CA (corriente alterna), el cargador puede suspender su operación temporalmente. Las tres luces rojas destellarán juntas con **dos parpadeos rápidos seguidos de una pausa**. Esto indica que la fuente de alimentación está fuera de límites.

BATERÍA EN MAL ESTADO

El cargador puede detectar una batería débil o dañada. Las tres luces rojas destellarán juntas con **parpadeo rápido**. La batería no volverá a cargar y debe ser enviada a un centro de servicio o a un sitio de recolección para reciclado.

CARGADOR EN MAL ESTADO

El cargador detectará si no está funcionando adecuadamente. Las tres luces rojas destellarán juntas con **un parpadeo rápido seguidos de un parpadeo largo**. El cargador no trabajará más y debe enviarse a un centro de servicio autorizado o remplazarse.

DEJAR LA BATERÍA EN EL CARGADOR

El cargador y la unidad de alimentación se pueden dejar conectados con las luces rojas encendidas indefinidamente. El cargador conservará a la unidad de alimentación fresca y completamente cargada. Este cargador tiene la característica de un modo automático de ajuste, el cual ecualiza o balancea las celdas individuales en la unidad de alimentación para permitirle funcionar a capacidad pico. Las unidades de alimentación, deben ser ajustadas semanalmente o siempre que no entreguen la misma cantidad de trabajo. Para usar el modo automático de ajuste, coloque la unidad de alimentación en el cargador y déjelo ahí por un mínimo de 8 horas.

Notas Importantes para la Carga

1. La vida más larga y el mejor desempeño se pueden obtener si la unidad de alimentación se carga cuando la temperatura del aire está entre 18 °C y 24 °C (65 °F y 75° F). NO cargue la batería cuando la temperatura del aire sea menor a +4.5 °C (+40 °F), o arriba de +40.5 °C (+105 °F). Esto es importante y prevendrá daños serios a la unidad de alimentación.

2. El cargador y la unidad de alimentación pueden calentarse al tacto durante la carga. Esto es una condición normal, y no es indicio de un problema. Para facilitar el enfriamiento de la unidad de alimentación después de usarlo, evite colocar el cargador o unidad de alimentación en un ambiente caluroso tal como una sombra metálica o un remolque sin aislamiento.
3. Si la unidad de alimentación no carga adecuadamente:
 - a. Verifique que haya corriente en el contacto eléctrico, conectando una lámpara o algún otro aparato.
 - b. Verifique para saber, si el contacto eléctrico está conectado a un interruptor eléctrico el cual corta la corriente cuando usted apaga la luz.
 - c. Mueva el cargador y la unidad de alimentación a un lugar donde la temperatura del aire en el ambiente es aproximadamente 18 °C a 24 °C (65 °F a 75 °F).
 - d. Si los problemas de carga persisten, lleve la herramienta, unidad de alimentación y cargador a su centro de servicio local
4. La unidad de alimentación debe ser recargada cuando no entrega la potencia suficiente en trabajos similares, los cuales previamente se hicieron con facilidad. NO CONTINUE usándola bajo estas condiciones. Siga el procedimiento de carga. Usted puede también cargar una unidad parcialmente descargada, cuando lo desee sin afectar adversamente a la unidad de alimentación.
5. Materiales externos de naturaleza conductiva tales como, pero no limitados a, lana de acero, papel de aluminio o cualquier acumulación de partículas metálicas debe mantenerse alejada de las cavidades del cargador. Siempre desconecte el cargador del suministro de energía cuando no haya una unidad de

alimentación en la cavidad. Desconecte el cargador antes de intentar limpiarlo.

6. No congele o sumerja el cargador en agua o ningún otro líquido.

⚠️ ADVERTENCIA: *Riesgo de descarga eléctrica. No permita que ningún líquido entre al cargador.*

⚠️ ATENCIÓN: *Nunca intente abrir la unidad de alimentación por ningún motivo. Si el alojamiento de plástico de la unidad de alimentación se rompe o se fractura, envíela a un centro de servicio para reciclado.*

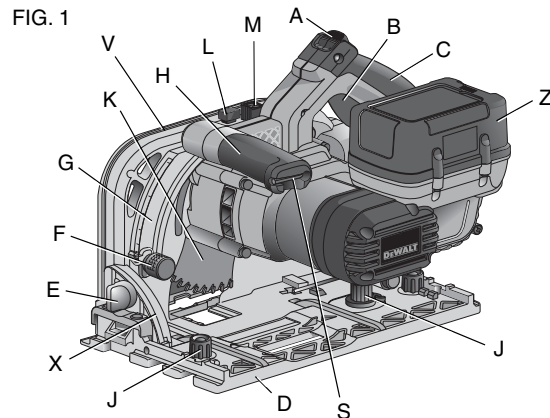
GUARDE ESTAS INSTRUCCIONES

Motor

Asegúrese de que el suministro eléctrico es el indicado en la placa de identificación. Un voltaje menor en tan poco como 10% puede causar pérdida de potencia y puede resultar en sobre calentamiento. Todas las herramientas DEWALT se prueban en fábrica; si esta herramienta no trabaja, verifique el suministro de energía eléctrica.

⚠️ ADVERTENCIA: *Los accesorio deben estar clasificados para por lo menos la velocidad recomendada en la etiqueta de advertencia de la herramienta. Los accesorios moviéndose a velocidades por encima de la clasificada pueden salir volando en pedazos y causar lesiones. La clasificación de los accesorios siempre debe estar por encima de la velocidad de la herramienta mostrada en la placa de identificación de la misma.*

⚠️ ATENCIÓN: *Evite el contacto con los dientes de la hoja para prevenir lesiones personales.*



COMPONENTES (Fig. 1-3, 9)

⚠ ADVERTENCIA: Nunca modifique la máquina herramienta o cualquier parte de ella. Pueden resultar lesiones personales o daños.

- | | |
|--------------------------------------|--|
| A. Gatillo del inmersor | N. Tornillo de sujeción de la hoja |
| B. Conmutador de encendido y apagado | O. Pestaña exterior |
| C. Mango principal | P. Pestaña interior |
| D. Base | Q. Navaja Separadora |
| E. Perilla de ajuste de bisel | R. Tornillos de ajuste de la navaja separadora |
| F. Perillas de ajuste de profundidad | S. Llave hexagonal |
| G. Escala de profundidad | T. Indicador de corte |
| | U. Perilla de anti-rebote |

- | | |
|----------------------------------|---------------------------------------|
| H. Mango frontal | V. Protector exterior |
| I. Salida de extracción de polvo | W. Vía |
| J. Ajustador de Vía | X. Escala de bisel |
| K. Hoja | Y. Indicadores de posición de la hoja |
| L. Botón de bloqueo | Z. Unidad de alimentación |
| M. Palanca de bloqueo | |

INTENCIÓN DE USO

La sierra de incisión DC351 está diseñada para cortar madera. No use esta sierra para cortar cubiertas de muebles de superficie sólida (esto es., Corian®).

⚠ ADVERTENCIA: Para reducir el riesgo de lesiones personales serias, no use esta sierra para cortar cubiertas de muebles de superficie sólida. La acumulación de material puede inhibir el funcionamiento adecuado del regreso del inmersor, dejando expuesta la hoja.

AJUSTE Y CONFIGURACIÓN

⚠ ADVERTENCIA: Para reducir el riesgo de lesiones, apague la unidad y desconéctela de la alimentación de corriente antes de instalar y retirar accesorios, antes de realizar ajustes o cuando realice reparaciones. Un encendido accidental puede provocar lesiones.

⚠ ADVERTENCIA: Antes de usar la sierra de incisión, SIEMPRE asegúrese que todas las funciones trabajan adecuadamente!

Ajuste de Bisel (Fig. 1)

El ángulo de bisel se puede ajustar entre 0° y 47°.

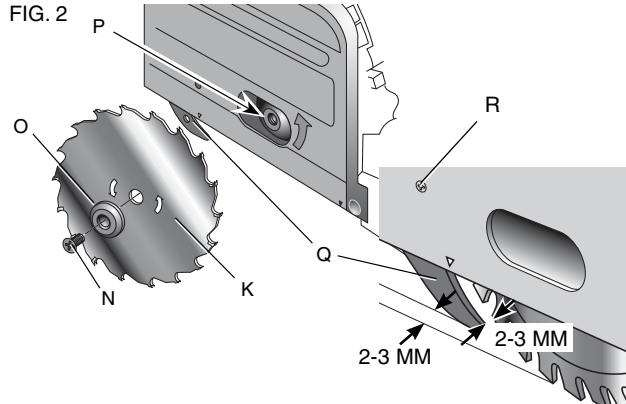
1. Afloje las perillas de ajuste de bisel (E).
2. Ajuste el ángulo de bisel, inclinando la base de la sierra (D) hasta que la marca indique que está en el ángulo deseado en la escala de bisel (X).

3. Apriete las perillas de ajuste de bisel (E).

Ajuste de la Navaja Separadora (Fig. 1, 2)

Para el ajuste correcto de la navaja separadora (Q), refiérase a la Figura 2. Ajuste el espacio libre de la navaja separadora después de cambiar la hoja de la sierra o siempre que sea necesario.

1. Siga los pasos 1–4 para *Cambiar la Hoja de la Sierra*.
2. Afloje el tornillo de ajuste del separador (R) con una llave hexagonal (S) y coloque la navaja separadora como se muestra en la Figura 2.
3. Apriete el tornillo de la navaja separadora (R).
4. Gire la palanca de bloqueo (M) en el sentido contrario a las manecillas del reloj hasta que se detenga.
5. Mueva la sierra de incisión hacia atrás a su posición superior.

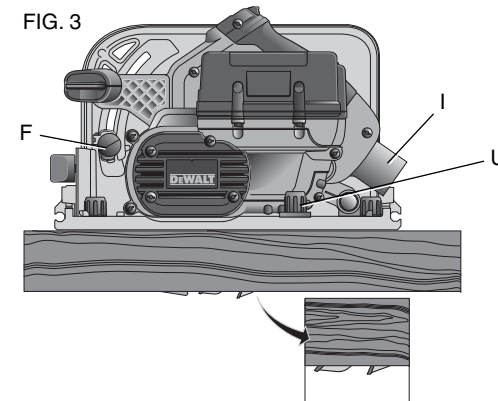


Ajuste de la Profundidad de Corte (Fig. 3)

La profundidad de corte se puede ajustar entre 0-59 mm (0–2-5/16 pulg.) sin la vía montada; con la vía montada: entre 0-55 mm (0–2-1/8 pulg.).

1. Afloje la perilla de ajuste de profundidad (F) y mueva el indicador para obtener la profundidad de corte correcta.
2. Apriete la perilla de ajuste de profundidad (F).

NOTA: Para resultados óptimos, permita que la hoja de la sierra sobre salga de la pieza de trabajo al rededor de 3 mm. (1/8 pulg.).



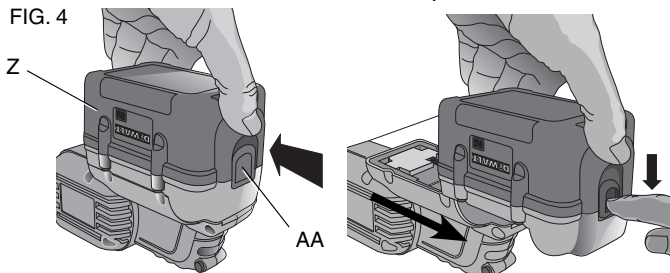
OPERACIÓN

⚠ ADVERTENCIA: Para reducir el riesgo de lesiones, apague la unidad y desconéctela de la alimentación de corriente antes de instalar y retirar accesorios, antes realizar ajustes o cuando realice reparaciones. Un encendido accidental puede provocar lesiones.

Insertar y retirar la unidad de alimentación (Fig. 4)

NOTA: Asegúrese de que su unidad de alimentación está totalmente cargada.

1. Para meter la unidad de alimentación (Z), alínelo con el receptáculo en la herramienta. Deslice la unidad de alimentación y empuje hasta que la unidad caiga en su posición.
2. Para retirar la unidad de alimentación, presione el botón de liberación de la unidad (AA) al mismo tiempo que jala el la unidad de alimentación fuera del receptáculo.



Encendido y Apagado (Fig. 1)

Jale el conmutador de encendido y apagado (B) para “ENCENDER” el motor. Al liberar el gatillo se “APAGA” el motor. Esta herramienta no está equipada para bloquear el gatillo en la posición de “ENCENDIDA”, y nunca se debe bloquear “ENCENDIDA” por ningún otro medio.

Cambiar la Hoja de la Sierra (Fig. 1, 2, 5)

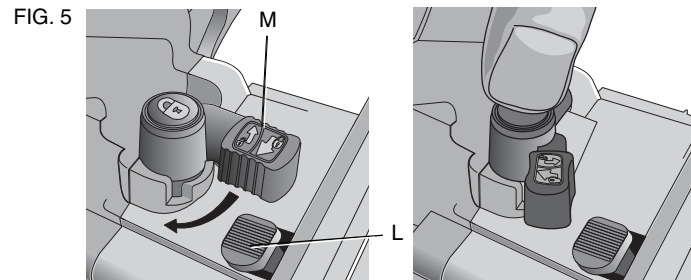
ADVERTENCIA: Para reducir el riesgo de lesiones, apague la unidad y desconéctela de la alimentación de corriente antes

de instalar y retirar accesorios, antes de realizar ajustes o cuando realice reparaciones. Un encendido accidental puede provocar lesiones.

ATENCIÓN: Evite el contacto con los dientes de la hoja para prevenir lesiones personales.

ATENCIÓN: Nunca accione el bloqueo de la hoja mientras la sierra está girando o cortando, en un esfuerzo por detener la herramienta. Nunca encienda la sierra mientras el bloqueo de la hoja este enclavado. Resultaran daños serios a su sierra.

1. Oprima el botón de bloqueo (L).
2. Presione la sierra hacia abajo para parar (posición de cambio de hoja).
3. Gire la palanca de bloqueo (M) en el sentido de las manecillas del reloj hasta que se detenga.
4. Presione la palanca de bloqueo (M) hacia abajo y gire la hoja hasta que se encuentre la posición de bloqueo.



NOTA: La hoja (K) ahora está bloqueada y no puede ser girada con la mano.

5. Gire el tornillo de sujeción de la hoja (N) en contra de las manecillas del reloj para retirarlo.

6. Retire la pestaña exterior (O) y la hoja usada (K). Coloque la hoja nueva en la pestaña interior (P).
7. Remplace la pestaña exterior (O) y el tornillo de sujeción de la hoja (N). Gire el tornillo con la mano en el sentido de las manecillas del reloj.
- ⚠ **ATENCIÓN:** La dirección de rotación de la hoja y la rotación de la sierra de incisión DEBE ser la misma.
8. Apriete el tornillo de sujeción de la hoja firmemente usando una llave hexagonal (S).
9. Gire la palanca de bloqueo (M) en el sentido contrario a las manecillas del reloj hasta que se detenga.
10. Mueva la sierra de incisión hacia atrás a su posición superior.
11. Empuje el gatillo de inmersión (A) hacia adelante, para bloquear el cambio de la hoja de la sierra.

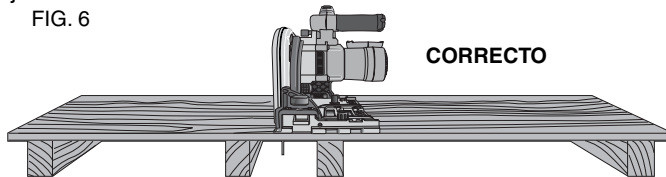
Soporte de la Pieza de trabajo

⚠ **ADVERTENCIA:** Las manos deben mantenerse alejadas del área de trabajo para reducir el riesgo de lesión.

⚠ **ADVERTENCIA:** El cable eléctrico debe colocarse fuera del área de trabajo de modo que no sea atrapado o colgado de la pieza de trabajo y para prevenir descarga eléctrica.

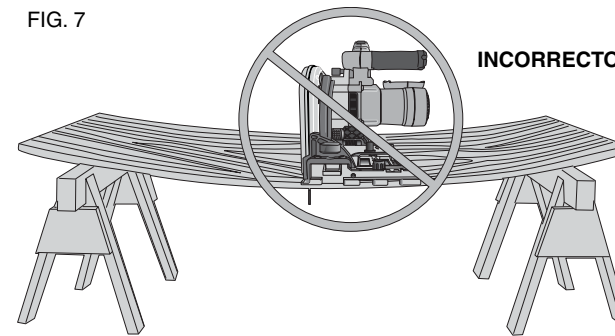
La figura 6 muestra la posición de aserrado adecuada. La figura 7 muestra una condición insegura. Para evitar el rebote, SOPORTE el tablero o pieza CERCA del corte. NO soporte el tablero o pieza lejos del corte.

FIG. 6



APOYE LA PIEZA CERCA DEL CORTE

FIG. 7

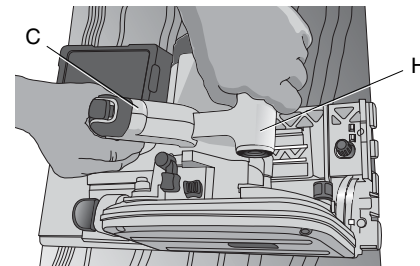


EL MATERIAL SE DOBLA SOBRE EL DISCO OCASIONANDO SOBRECARGA O CONTRAGOLPE

⚠ **ADVERTENCIA:** Cuando opere la sierra mantenga el cable eléctrico alejado del área de trabajo para prevenir descargas eléctricas.

⚠ **ADVERTENCIA:** Es importante soportar la pieza de trabajo adecuadamente y sujetar la sierra firmemente para prevenir pérdida de control la cual puede causar lesiones personales. La figura 8 ilustra el soporte manual típico de la sierra.

FIG. 8



Coloque la pieza de trabajo con su lado "bueno"- aquel en el cual la apariencia es lo más importante - hacia abajo. La sierra corta hacia

arriba, de modo que la formación de astillas estará en la cara que está hacia arriba cuando usted corta.

Cortar

⚠ PELIGRO: Riesgo de choque eléctrico. Mantenga el cable eléctrico alejado del área de trabajo para prevenir electrocución.

⚠ ADVERTENCIA: Si la protección se atora o cierra con dificultad, lleve la sierra a su centro de servicio autorizado DEWALT más cercano para reparación.

⚠ ADVERTENCIA: Para máxima protección, el control efectivo de esta poderosa sierra requiere que se utilicen las dos manos al operarla. Soporte la pieza de trabajo adecuadamente y sujete la sierra firmemente para prevenir pérdida de control lo cual puede causar lesiones. Refiérase a la figura 8 para ver la forma adecuada de sujetar la sierra.

⚠ ADVERTENCIA: Permanezca alerta y mantenga un agarre firme sobre la sierra. Libere el botón de arranque inmediatamente si la hoja se traba o si la sierra se detiene. Mantenga su hoja afilada. Soporte los tableros adecuadamente (Fig. 6, 7). Use la vía cuando corte a lo largo. NO fuerce la herramienta. NO retire la sierra de la pieza de trabajo mientras la hoja se esta moviendo.

⚠ ADVERTENCIA: Para ayudar a reducir el riesgo de lesiones personales, siempre sujete la pieza de trabajo. ¡No trate de sujetar piezas pequeñas con la mano! Recuerde soportar el material que este en voladizo y el que sobre sale de la mesa de trabajo. Tenga cuidado cuando corte material por abajo.

⚠ ADVERTENCIA: Asegúrese de que la sierra alcance su velocidad total antes de que la hoja la toque el material que se va a cortar. Arrancar la sierra con la hoja tocando el material que se va a cortar o presionada dentro de la ranura puede resultar en rebote y lesiones personales.

⚠ ADVERTENCIA: SIEMPRE asegure la pieza de trabajo de tal manera que no se pueda mover mientras se corta. Para resultados óptimos, sujete la pieza de trabajo con el fondo hacia arriba.

⚠ ADVERTENCIA: SIEMPRE empuje la maquina hacia adelante. **NUNCA** jale la maquina hacia atrás contra usted.

⚠ ADVERTENCIA: SIEMPRE use las pinzas (Fig. 9, BB) para sujetar la vía a la pieza de trabajo.

ATENCIÓN: No opere su herramienta con corriente en la cual el voltaje no está dentro de los límites correctos. No opere herramientas clasificadas CA solamente, en corriente DC. Hacer esto puede dañar seriamente la herramienta.

1. Coloque la máquina con la parte frontal de la base de la sierra sobre la pieza de trabajo.
2. Oprima el botón de encendido/apagado para prender la sierra.
3. Empuje el gatillo del inmersor (A) hacia adelante, presione la sierra hacia abajo para establecer la profundidad de corte y empújela hacia adelante en la dirección del corte.

Empuje la sierra hacia adelante a una velocidad la cual le permita a la hoja cortar sin que le cueste trabajo. La dureza y pesadez pueden variar aún en la misma pieza de material, las secciones húmedas y con nudos pueden poner una carga pesada en la sierra. Cuando esto pasa, empuje la sierra más despacio, pero lo suficientemente fuerte para mantenerla trabajando sin disminuir mucho la velocidad. Forzar la sierra puede causar cortes burdos, inexactitud, rebote y sobre calentamiento del motor.

Si el corte se va saliendo de la línea, NO trate de forzarlo de regreso. Libere el interruptor y permita que la hoja se detenga totalmente, saque la sierra, realínee, e inicie un nuevo corte ligeramente por dentro del corte defectuoso.

En cualquier caso, saque la sierra si usted debe desplazar el corte. Forzar una corrección dentro del corte puede detener la sierra e inducir rebote. SI LA SIERRA SE DETIENE, LIBERE EL GATILLO, PERMITA QUE LA HOJA SE DETENGA TOTALMENTE Y JALE LA SIERRA HASTA QUE ESTE LIBERE. ASEGURESE DE QUE LA HOJA ESTÁ DERECHA EN EL CORTE Y SIN TOCAR LA ORILLA DE CORTE ANTES DE REINICIAR.

Cuando termine el corte, libere el gatillo y permita que la hoja se detenga antes de levantar la sierra de la pieza de trabajo. Cuando levante la sierra, le protector tensionada con un resorte se cerrará automáticamente al rededor de la hoja. Recuerde que la hoja esta expuesta mientras que esto sucede, nunca llegue por debajo de la pieza de trabajo por ninguna razón que se le ocurra.

Siempre use una vía, valla o una guía recta cuando corte a lo largo.

NOTA: Cuando corte tiras delgadas, tenga cuidado de asegurar que las tiras angostas no se metan en la caja de la hoja.

NOTA: Las vías, disponibles en diferentes longitudes, permiten cortes precisos y limpios, simultáneamente protegen la pieza de trabajo contra daños.

CORTES DE INMERSIÓN (FIG. 1, 9)

⚠ ADVERTENCIA: SIEMPRE use la vía cuando corte por inmersión.

⚠ ADVERTENCIA: Para evitar rebote, se DEBEN observar las instrucciones siguientes cuando se corte por inmersión:

1. Coloque la máquina en la vía y libere la perilla anti-rebote (U) girándola en el sentido opuesto a las manecillas del reloj.
2. Prenda la maquina y lentamente presione la sierra hacia abajo hasta la profundidad de corte seleccionada y empuje hacia adelante en la dirección del corte. Los indicadores de corte (T)

despliegan los puntos de corte del frente absoluto y del trasero absoluto de la hoja de la sierra [dia. 165 mm (6-1/2 pulg.)] a máxima profundidad de corte y usando la vía.

3. Si durante el corte de inmersión ocurre rebote, gire la perilla de anti-rebote (U) en contra de las manecillas del reloj para liberarlo de la vía.

4. Cuando haya terminado el corte de inmersión, gire la perilla de anti-rebote (U) en el sentido de las manecillas del reloj a la posición de bloqueo.

CORTE -TRANSVERSAL

Cortar directamente a través del grano de una pieza de madera se llama corte transversal. Las figuras 10 y 11 ilustran una operación de corte transversal. Posicione la pieza de trabajo de tal modo que el corte estará a la izquierda.

FIG. 9

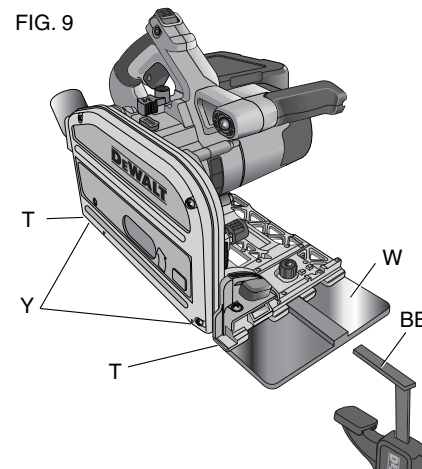


FIG. 10

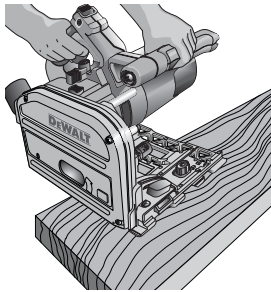
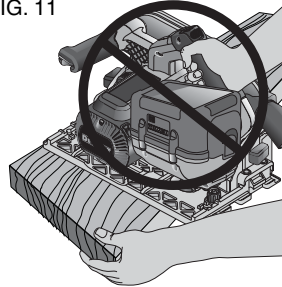


FIG. 11



RASGAR

Rasgar es cortar madera a lo largo. Esta operación se desempeña en la misma manera que el corte transversal con la excepción de como se soporta la pieza de trabajo. Si la pieza de trabajo se soporta en una mesa larga, banco de trabajo, o el piso, se deben colocar varios pedazos de sobrantes de madera de aproximadamente 25.4 mm (1 pulg.) de espesor por debajo del material para permitir espacio para la porción de la hoja de la sierra que sobre sale a través de la pieza de trabajo. Las hojas largas de tableros o madera laminada delgada soportada con caballetes de sierra, deben tener tiras de 2" x 4" colocadas a lo largo entre los caballetes y la pieza de trabajo, para prevenir que se hundan en el centro.

CORTAR BISEL

Haga sus cortes de bisel de la misma manera que los cortes transversales y longitudinales, pero coloque la hoja a un Angulo entre 0° y 47°.

El corte de bisel hecho en un ángulo con la orilla del tablero se llama un corte compuesto.

REBOTE

Cuando la hoja de la sierra se pellizca o tuerce en el corte, puede ocurrir rebote. La sierra es impulsada rápidamente hacia atrás en dirección al operador. Cuando la hoja pellizca o está trabada fuertemente por la ranura que se va cerrando, la hoja se detiene y la reacción del motor impulsa a la unidad rápidamente para atrás. Si la hoja se tuerce o se desalinea en el corte, los dientes en la orilla trasera de la hoja pueden clavarse en la superficie superior de la madera, causando que la hoja se monte fuera de la ranura y brinque para atrás hacia el operador. Es más probable que ocurra rebote cuando existen cualquiera de las condiciones siguientes.

1. SOPORTE INAPROPIADO DE LA PIEZA DE TRABAJO

- A. Pandeo o levantamiento inadecuado de la pieza cortada puede causar pellizco en la hoja e inducir rebote.
- B. Cortar a través de material soportado en los extremos externos solamente, puede causar rebote. A medida que el material se debilita se hunde, cerrando la ranura y pellizcando la hoja.
- C. Cortar una pieza en voladizo o de material que sobresale y cuelga, del fondo hacia arriba en dirección vertical puede causar rebote. La pieza cortada que cae puede pellizcar la hoja.
- D. Cortar tiras largas angostas (como en el corte longitudinal) puede causar rebote. La tira cortada puede pandearse o torcerse cerrando la ranura y pellizcando la hoja.
- E. Destruir la protección inferior en la superficie por debajo del material que se está cortando reduce el control del operador momentáneamente. La sierra puede levantarse parcialmente fuera del corte aumentando la posibilidad de que se tuerza la hoja.

2. AJUSTE INADECUADO DE LA PROFUNDIDAD DE CORTE EN LA SIERRA

Para hacer el corte más eficiente, la hoja debe sobresalir lo suficiente para exponer la mitad de la altura del diente. Esto permite a la base soportar a la hoja y minimiza torcido y pellizco en el material. Vea la sección titulada **Ajuste de la Profundidad de Corte**.

3. TORCEDURA DE LA HOJA (DESALINEADO EN EL CORTE)

- A. Empujar más fuerte para cortar a través de un nudo, un clavo o un área de grano duro puede causar que la hoja se tuerza.
- B. Tratar de girar la sierra en el corte (tratar de regresar a la línea marcada) puede causar que la hoja se tuerza.
- C. Sobre-extenderse u operar la sierra con control del cuerpo pobre (fuera de balance) puede resultar en que se tuerza la hoja.
- D. Cambiar la mano con que se esta sujetando o la posición del cuerpo mientras se corta puede resultar en que se tuerza la hoja.
- E. Jalar la sierra para liberar la hoja mientras se corta puede conducir a torcedura..

4. MATERIALES QUE REQUIEREN ATENCIÓN EXTRA

- A. Madera húmeda
- B. Madera verde (material cortado recientemente o no secado al horno)
- C. Madera tratada a presión (material tratado con preservadores o con químicos anti-degradación)

5. USO DE HOJAS DESAFILADAS O SUCIAS

Las hojas desafiladas causan carga adicional en la sierra. Para compensar, un operador usualmente empujará mas fuerte, lo

cual genera más carga en la unidad y promueve que se tuerza la hoja en la ranura. Las hojas gastadas pueden también tener espacio libre insuficiente en el cuerpo, lo cual incrementa la posibilidad de trabado e incremento de carga.

6. LEVANTAR LA SIERRA CUANDO SE HACE CORTE DE BISEL

Los cortes de bisel requieren atención especial del operador a las técnicas adecuadas de corte - especialmente en el guiado de la sierra. Ambos el ángulo de la hoja con la base y una mayor superficie de la hoja dentro del material, incrementa la posibilidad de que ocurran trabado y desalineamiento (torcido).

7. REINICIAR UN CORTE CON LA HOJA ATASCADA CONTRA EL MATERIAL

La hoja debe llevarse a su velocidad total de operación antes de iniciar un corte o reiniciar un corte después de que la unidad ha sido detenida con la hoja dentro de la ranura. El no hacerlo así puede causar detención y rebote.

Cualquier otra condición la cual pueda resultar en pellizco, trabado, torcido o desalineamiento de la hoja puede causar rebote. Refiérase a la sección de *Ajuste, Configuración y Operación* para procedimientos y técnicas que minimizarán la ocurrencia del rebote.

Hojas

⚠️ ADVERTENCIA: Para minimizar el riesgo de lesión en los ojos, siempre use protección ocular aprobada ANSI Z87.1. El carburo es un material duro pero frágil. Objetos extraños en la pieza de trabajo tales como alambre o clavos pueden causar que las pastillas se fracturen o se rompan. Solo opere la sierra cuando la protección apropiada de la hoja de la sierra este en su lugar. Monte la hoja seguramente con la rotación adecuada antes de usarla y siempre use una hoja limpia y afilada.

⚠ ADVERTENCIA: NUNCA corte metales ferrosos (aquellos con algún contenido de hierro o acero), de albañilería, vidrio o cerámica con esta sierra. El resultado puede ser daños a la sierra y lesiones personales.

Una hoja desafilada causará cortes ineficientes, sobrecarga en el motor de la sierra, astillado excesivo e incremento de la posibilidad de rebote. Cambie hojas cuando ya no sea fácil empujar la sierra a través del corte, cuando el motor se este forzando o cuando se genere calor excesivo en la hoja. Es una buena práctica mantener hojas extra a la mano de modo que haya hojas afiladas para su uso inmediato. Las hojas desafiladas pueden ser reafiladas en la mayoría de los lugares; vea REAFILADO-DE HOJAS en la sección amarilla. La goma endurecida en la hoja puede ser removida con keroseno, aguarrás o limpiador para hornos. Hojas recubiertas con anti-adhesivo se pueden usar en aplicaciones donde se encuentra acumulación excesiva, tales como la madera tratada a presión y la madera verde.

SELECCIÓN DE LA HOJA

Su sierra de incisión DEWALT esta diseñada para usarse con hojas de 165 mm (6-1/2 pulg.) de diámetro que tienen un orificio de montaje de 20 mm (0.79 pulg.) de diámetro interior. Las hojas deben estar clasificadas para una operación de 6,000 RPM (o mayor). **NO** use ninguna rueda abrasiva.

Una hoja de combinación esta incluida con su sierra y es una hoja excelente para todas las operaciones generales de corte longitudinal y transversal. Use una hoja de dientes-finos para cortar madera laminada.

⚠ ADVERTENCIA: EXAMINE VISUALMENTE LAS HOJAS DECARBURO ANTES DE USARLAS. REMPLACELAS SI ESTAN DAÑADAS.

Sistema de la Sierra de Incisión (Fig. 1)

Las vías, disponibles en diferentes longitudes, permiten cortes precisos y limpios, simultáneamente protegen la pieza de trabajo contra daños.

En conjunto con accesorios adicionales, cortes angulados exactos, cortes de inglete y trabajo para ensamble puede ser realizado con el sistema de sierra de incisión.

Asegurar la pieza de trabajo con pinzas garantiza una sujeción adecuada y un trabajo seguro.

El espacio libre de guía en la sierra de incisión debe ser muy pequeño para los mejores resultados en el corte y puede ser ajustado con los dos ajustadores de vía (J).

1. Libere el tornillo dentro del ajustador de vía para ajustar el espacio libre.
2. Ajuste la perilla hasta que la sierra se bloquee en la vía.
3. Gire la perilla de regreso hasta que la sierra se deslice fácilmente.
4. Sujete el ajustador de vía en posición y bloquee el tornillo nuevamente.

NOTA: SIEMPRE reajuste el sistema para usarlo con otras vías.

Cinta Anti-astillas

La vía está equipada con una cinta anti-astillas, la cual tiene que ser cortada a tamaño antes de usarse por primera vez:

IMPORTANTE: SIEMPRE lea y siga las instrucciones del sistema de sierra de incisión antes de cortar la cinta del anti-astillas!

1. Ajuste la velocidad de la sierra de incisión al nivel 5.
2. Coloque la vía en un pedazo sobrante de madera.
3. Ajuste la sierra de incisión a 5 mm (3/16 pulg.) de profundidad de corte.

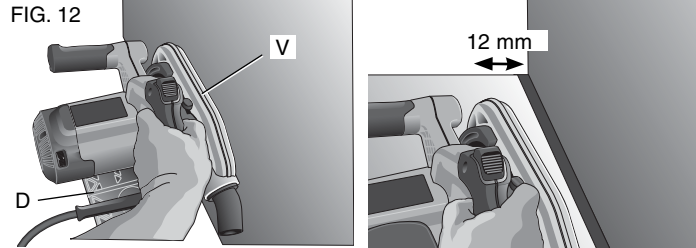
4. Coloque la sierra en el extremo trasero de la vía.
5. Encienda la sierra, presiónela hacia abajo para determinar la profundidad de corte y corte la cinta del anti-astillas a lo largo de la longitud total en una operación continua. La orilla del anti-astillas ahora corresponde exactamente a la orilla de corte de la hoja.

⚠ ADVERTENCIA: Para reducir el riesgo de lesión, SIEMPRE sujete la vía (W) con unas pinzas.

Cortes en Pared (Fig. 1, 12)

1. Coloque la sierra de incisión con la protección exterior (V) en un piso limpio y plano.
2. Presione la base (D) con el lado frontal en la pared contra el tope de profundidad ajustado.

NOTA: El corte mínimo entre la pared y la pieza de trabajo es 12 mm.



Extracción de Polvo (Fig. 3)

⚠ ADVERTENCIA: NO dirija el polvo del aserrado hacia usted mismo u otros. Para evitar lesión por el polvo de aserrado que vuela, mantenga la boquilla de descarga en posición hacia adelante o en posición cerrada. NO inserte objetos extraños en la boquilla de descarga.

⚠ ADVERTENCIA: SIEMPRE conecte la sierra de incisión a un extractor de polvo!

⚠ ADVERTENCIA: SIEMPRE use un aparato de extracción de polvo diseñado de acuerdo con las regulaciones relevantes en relación a emisión de polvo.

Su herramienta está equipada con una salida para extracción de polvo (I).

MANTENIMIENTO

⚠ ADVERTENCIA: Para reducir el riesgo de lesiones, apague la unidad y desconéctela de la alimentación de corriente antes de instalar y retirar accesorios, antes de realizar ajustes o cuando realice reparaciones. Un encendido accidental puede provocar lesiones.

⚠ ADVERTENCIA: SIEMPRE USE LENTES DE SEGURIDAD. Los anteojos de uso diario NO son lentes de seguridad. Utilice también una máscara para la cara o guardapolvo si la operación de corte genera polvo. SIEMPRE use equipo de seguridad certificado:

- ANSI Z87.1 protección ocular (CAN/CSA Z94.3),
- ANSI S12.6 (S3.19) protección auditiva
- Protección respiratoria NIOSH/OSHA.

Limpieza

⚠ ADVERTENCIA: Sopletear periódicamente polvo y rebabas fuera del alojamiento del motor, utilizando aire comprimido limpio y seco, es un procedimiento de mantenimiento sugerido. Para reducir el riesgo de lesión personal seria, SIEMPRE use lentes de seguridad ANSI Z87.1 mientras utilice aire comprimido.

⚠ ADVERTENCIA: Cuando limpie, use solamente jabón ligero y un trapo húmedo en las partes plásticas. Muchos limpiadores domésticos contienen químicos que podrían dañar seriamente los

componentes plásticos. Tampoco utilice gasolina, aguarrás, laca o diluyente de pintura, fluidos para limpieza en seco o productos similares los cuales pueden dañar seriamente las partes plásticas. Jamás permita que le entre líquido a la herramienta; jamás sumerja parte alguna de la herramienta dentro de un líquido.

INSTRUCCIONES DE LIMPIEZA PARA EL CARGADOR

⚠ ADVERTENCIA: Riesgo de descarga eléctrica. Desenchufe el cargador del contacto de CA antes de limpiarlo. La mugre y grasa pueden ser removidas del exterior del cargador usando un trapo limpio o una brocha suave no metálica. No use agua ni soluciones limpiadoras.

Lubricación

Esta herramienta ha sido lubricada con una cantidad suficiente de lubricante de alto grado para la vida útil de la unidad bajo condiciones de operación normales. No se requiere lubricación adicional.

Escobillas

⚠ ADVERTENCIA: Para reducir el riesgo de lesión, NO AMARRE, ENCINTE, O DE ALGÚN OTRO MODO BLOQUEE EL CONMUTADOR DE ENCENDIDO Y APAGADO DE ARRANQUE EN ENCENDIDO mientras "la sierra este trabajando". SUJETELO CON LA MANO SOLAMENTE.

Inspeccione las escobillas de carbón regularmente desconectando la herramienta, retire la tapa de inspección de escobillas y saque el ensamble de escobillas. Mantenga las escobillas limpias y deslizándose libremente en sus guías. Siempre remplace una escobilla usada en la misma dirección que tenía en la porta escobillas antes de ser removida. Las escobillas de carbón tienen una variedad de símbolos estampados en sus caras laterales, y si se desgastan hasta la línea más cercana al resorte, deben ser remplazadas. Use

solamente escobillas idénticas DEWALT. Siempre remplace ambas escobillas. El uso del grado correcto de escobilla es esencial para la operación adecuada de los frenos eléctricos. Conjuntos de escobillas nuevas están disponibles en su centro de servicio certificado local DEWALT. La herramienta debe dejarse "girar libremente" (girar sin hoja y sin carga) por 10 minutos para asentar las escobillas nuevas. Esto es especialmente importante para sierras equipadas con frenos eléctricos, los cuales pueden operar erráticamente hasta que las escobillas se asienten adecuadamente (con desgaste).

Accesorios

⚠ ADVERTENCIA: Ya que los accesorios, que no sean los ofrecidos por DEWALT, no han sido probados en este producto, el usar tales accesorios puede ser peligroso. Para reducir el riesgo de lesión, use solamente accesorios recomendados por DEWALT con este producto.

⚠ ADVERTENCIA: NO USE CONEXIONES DE AGUA CON ESTA SIERRA.

⚠ ADVERTENCIA: EXAMINE VISUALMENTE LAS HOJAS DE CARBURO ANTES DE USARLAS. REMPLACELAS SI ESTAN DAÑADAS.

Los accesorios recomendados para ser usados con esta herramienta están disponibles con un costo adicional con su distribuidor local o centro de servicio autorizado. Si necesita asistencia para localizar cualquier accesorio, por favor contacte a DEWALT Industrial Tool Co., 701 East Joppa Road, Baltimore, MD 21286, llame 1-800-4-DEWALT (1-800-433-9258) o visite nuestro sitio de Internet www.dewalt.com.

Reparaciones

El cargador no requiere servicio. No hay partes a las que se les pueda dar servicio dentro del cargador.

Para garantizar la SEGURIDAD y CONFIABILIDAD, las reparaciones, mantenimiento, y ajustes (incluyendo inspección y reemplazo de escobillas) deben ser ejecutadas por un centro de servicio de fábrica DEWALT, un centro de servicio autorizado DEWALT u otro personal calificado de servicio. Siempre utilice partes de repuesto idénticas.

PARA REPARACIÓN Y SERVICIO DE SUS HERRAMIENTAS ELÉCTRICAS, FAVOR DE DIRIGIRSE AL CENTRO DE SERVICIO MÁS CERCANO

CULIACAN, SIN Blvd. Emiliano Zapata 5400-1 Poniente Col. San Rafael	(667) 717 89 99
GUADALAJARA, JAL Av. La Paz #1779 - Col. Americana Sector Juárez	(33) 3825 6978
MEXICO, D.F. Eje Central Lázaro Cárdenas No. 18 Local D, Col. Obrera	(55) 5588 9377
MERIDA, YUC Calle 63 #459-A - Col. Centro	(999) 928 5038
MONTERREY, N.L. Av. Francisco I. Madero 831 Poniente - Col. Centro	(818) 375 23 13
PUEBLA, PUE 17 Norte #205 - Col. Centro	(222) 246 3714
QUERETARO, QRO Av. San Roque 274 - Col. San Gregorio	(442) 2 17 63 14
SAN LUIS POTOSI, SLP Av. Universidad 1525 - Col. San Luis	(444) 814 2383
TORREON, COAH Blvd. Independencia, 96 Pte. - Col. Centro	(871) 716 5265

VERACRUZ, VER
Prolongación Díaz Mirón #4280 - Col. Remes (229) 921 7016

VILLAHERMOSA, TAB
Constitución 516-A - Col. Centro (993) 312 5111

PARA OTRAS LOCALIDADES:

Si se encuentra en México, por favor llame al (55) 5326 7100

Si se encuentra en U.S., por favor llame al

1-800-433-9258 (1-800 4-DEWALT)

Póliza de Garantía

IDENTIFICACIÓN DEL PRODUCTO:

Sello o firma del Distribuidor.

Nombre del producto: _____ Mod./Cat.: _____

Marca: _____ Núm. de serie: _____

(Datos para ser llenados por el distribuidor)

Fecha de compra y/o entrega del producto: _____

Nombre y domicilio del distribuidor donde se adquirió el producto:

Este producto está garantizado por un año a partir de la fecha de entrega, contra cualquier defecto en su funcionamiento, así como en materiales y mano de obra empleados para su fabricación. Nuestra garantía incluye la reparación o reposición del producto y/o componentes sin cargo alguno para el cliente, incluyendo mano de obra, así como los gastos de transportación razonablemente erogados derivados del cumplimiento de este certificado.

Para hacer efectiva esta garantía deberá presentar su herramienta y esta póliza sellada por el establecimiento comercial donde se adquirió el producto, de no contar con ésta, bastará la factura de compra.

Español

EXCEPCIONES

Esta garantía no será válida en los siguientes casos:

- Cuando el producto se hubiese utilizado en condiciones distintas a las normales;
- Cuando el producto no hubiese sido operado de acuerdo con el instructivo de uso que se acompaña;
- Cuando el producto hubiese sido alterado o reparado por personas distintas a las enlistadas al final de este certificado.

Anexo encontrará una relación de sucursales de servicio de fábrica, centros de servicio autorizados y franquiciados en la República Mexicana, donde podrá hacer efectiva su garantía y adquirir partes, refacciones y accesorios originales.

Garantía limitada por tres años

DEWALT reparará, sin cargo, cualquier falla que surja de defectos en el material o la fabricación del producto, por hasta tres años a contar de la fecha de compra. Esta garantía no cubre fallas de las piezas causadas por su desgaste normal o abuso a la herramienta. Para mayores detalles sobre la cobertura de la garantía e información acerca de reparaciones realizadas bajo garantía, visítenos en www.dewalt.com o dirígase al centro de servicio más cercano. Esta garantía no aplica a accesorios o a daños causados por reparaciones realizadas o intentadas por terceros. Esta garantía le otorga derechos legales específicos, además de los cuales puede tener otros dependiendo del estado o la provincia en que se encuentre.

Además de la garantía, las herramientas DEWALT están cubiertas por:

1 AÑO DE SERVICIO GRATUITO

DEWALT mantendrá la herramienta y reemplazará las piezas gastadas por su uso normal, sin cobro, en cualquier momento durante un año a contar de la fecha de compra. Los artículos

gastados por la clavadora, tales como la unidad de hoja y retorno del impulsador, no están cubiertas.

2 AÑOS DE SERVICIO GRATUITO PARA UNIDADES DE ALIMENTACIÓN DEWALT

DC9096, DC9091, DC9071, DC9360 y DC9280

GARANTÍA DE REEMBOLSO DE SU DINERO POR 90 DÍAS

Si no está completamente satisfecho con el desempeño de su máquina herramienta, láser o clavadora DEWALT, cualquiera sea el motivo, podrá devolverlo hasta 90 días de la fecha de compra con su recibo y obtener el reembolso completo de su dinero – sin necesidad de responder a ninguna pregunta.

AMÉRICA LATINA: Esta garantía no se aplica a los productos que se venden en América Latina. Para los productos que se venden en América Latina, debe consultar la información de la garantía específica del país que viene en el empaque, llamar a la compañía local o visitar el sitio Web a fin de obtener esa información.

REEMPLAZO GRATUITO DE LAS ETIQUETAS DE ADVERTENCIAS: Si sus etiquetas de advertencia se vuelven ilegibles o faltan, llame al 1-800-4-DEWALT para que se le reemplacen gratuitamente.



Corian® es una marca comercial registrada de E. I. du Pont de Nemours and Company

ESPECIFICACIONES

DC351 28 Volts 3 500/min

Para servicio y ventas consulte
"HERRAMIENTAS ELECTRICAS"
en la sección amarilla.



SOLAMENTE PARA PROPÓSITO DE MÉXICO:
IMPORTADO POR: DEWALT S.A. DE C.V.
BOSQUES DE CIDROS, ACCESO RADIATAS NO.42
3A. SECCIÓN DE BOSQUES DE LAS LOMAS
DELEGACIÓN CUAJIMALPA,
05120, MÉXICO, D.F.
TEL. (52) 555-326-7100
R.F.C.: BDE810626-1W7





DeWALT Battery and Charger Systems																			
Battery	Output	Chargers/Charge Time – Chargeurs/Durée de charge (Minutes) – Cargadores de baterías/Tiempo de carga (Minutos)																	
		120 Volts												12 Volts					
Cat Number	Voltage	DW9106	DW9118	DW9107	DW9108	DW9116	DW9216	DW9117	DW911	DC011	DC021	DC022	DC9000	DC9310	DC9320	DW0246	DW0249	DW9109	DC9319
DC9360	36	X	X	X	X	X	X	X	X	X	X	X	60	X	X	X	X	X	X
DC9280	28	X	X	X	X	X	X	X	X	X	X	X	60	X	X	X	X	X	X
DW0242	24	X	X	X	X	X	X	X	X	X	X	X	X	X	X	60	60	X	X
DC9096	18	X	X	X	60	60	60	20	60	60	60	60	X	60	60	X	X	60	60
DC9099	18	X	X	X	45	45	45	15	45	45	45	45	X	45	45	X	X	45	45
DC9180	18	X	X	X	X	X	X	X	X	X	X	X	X	60	60	X	X	X	60
DW9096	18	X	X	X	60	60	60	20	60	60	60	60	X	60	60	X	X	X	60
DW9098	18	X	X	X	30	30	30	12	30	30	30	30	X	30	30	X	X	30	30
DW9099	18	X	X	X	45	45	45	15	45	45	45	45	X	45	45	X	X	45	45
DC9091	14.4	90	115	60	60	60	60	20	60	60	60	60	X	60	60	X	X	60	60
DC9094	14.4	60	90	45	45	45	45	15	45	45	45	45	X	45	45	X	X	45	45
DW9091	14.4	60	90	45	45	45	45	15	45	45	45	45	X	45	45	X	X	45	45
DW9094	14.4	45	60	30	30	30	30	12	30	30	30	30	X	30	30	X	X	30	30
DC9071	12	90	115	60	60	60	60	20	60	60	60	60	X	60	60	X	X	60	60
DW9050	12	40	X	X	X	X	X	X	X	X	X	X	X	X	X	X	X	X	X
DW9071	12	60	90	45	45	45	45	15	45	45	45	45	X	45	45	X	X	45	45
DW9072	12	45	60	30	30	30	30	12	30	30	30	30	X	30	30	X	X	30	30
DW9048	9.6	40	X	X	X	X	X	X	X	X	X	X	X	X	X	X	X	X	X
DW9061	9.6	60	90	45	45	45	45	15	45	45	45	45	X	45	45	X	X	45	45
DW9062	9.6	45	60	30	30	30	30	12	30	30	30	30	X	30	30	X	X	30	30
DW9057	7.2	45	60	30	30	30	30	12	30	30	30	30	X	30	30	X	X	30	30

X Indicates that the battery pack is not compatible with that specific charger.
 X indique que le bloc-piles n'est pas compatible avec ce chargeur.
 Una "X" indica que el paquete de baterías no es compatible con ese determinado cargador.

All charge times are approximate. Actual charge time may vary. Read the instruction manual for more specific information.
Les durées de charge sont approximatives; la durée de charge réelle peut varier. Lire le manuel d'utilisation pour obtenir des renseignements plus précis.
El tiempo de duración de carga es aproximado; la duración de carga real puede variar. Lea el manual de instrucciones para obtener información más precisa.

DeWALT Industrial Tool Co., 701 East Joppa Road, Baltimore, MD 21286 (AUG08)
 Part No. N012517 DC351 Copyright © 2008 DeWALT

The following are trademarks for one or more DeWALT power tools: the yellow and black color scheme; the "D" shaped air intake grill; the array of pyramids on the handgrip; the kit box configuration; and the array of lozenge-shaped humps on the surface of the tool.