

DEWALT®



**Instruction Manual
Guide D'utilisation
Manual de instrucciones**

DCMWSP255

2 x 20V Max* Self-Propelled Mower

Tondeuse auto-motrice 2 x 20 V Max*

2 x Podadora Auto-Impulsada 20 V Máx*

www.DEWALT.com

**If you have questions or comments, contact us.
Pour toute question ou tout commentaire, nous contacter.
Si tiene dudas o comentarios, contáctenos.**

1-800-4-DEWALT

English (**original instructions**)

6

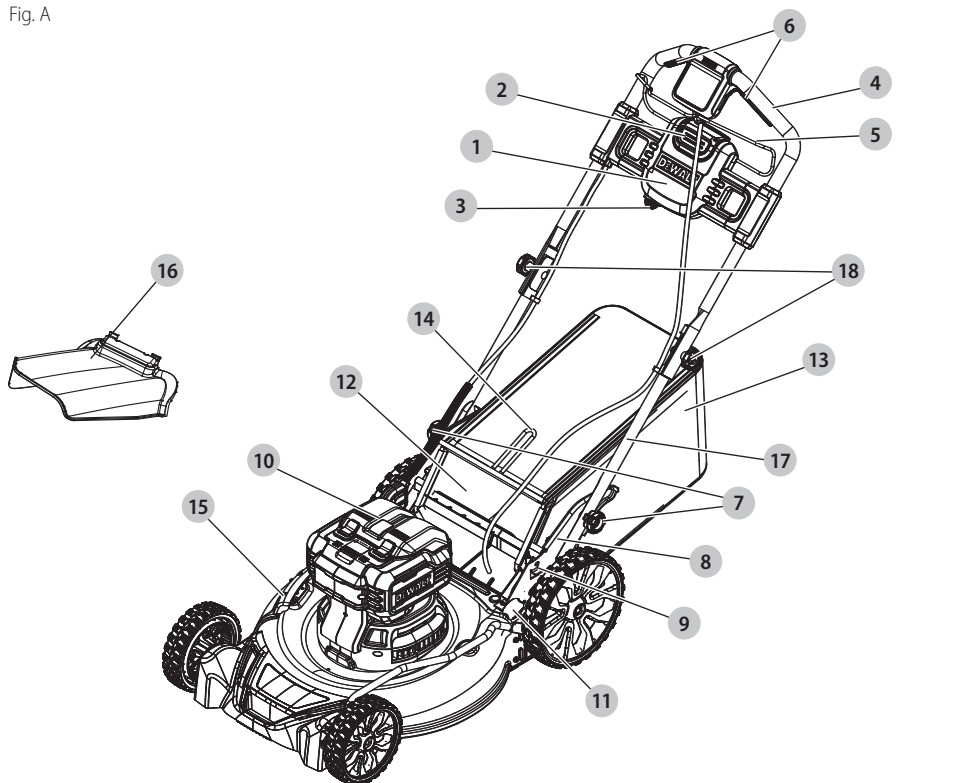
Français (*traduction de la notice d'instructions originale*)

18

Español (*traducido de las instrucciones originales*)

32

Fig. A



Components

- 1 ON-OFF switch box
- 2 ON-OFF button
- 3 Safety key
- 4 Main handle (upper)
- 5 Bail handle
- 6 Self drive speed lever
- 7 Handle lock knobs
- 8 Handle brackets
- 9 Handle storage detent holes
- 10 Battery port cover
- 11 Cut height adjustment lever
- 12 Rear door cover
- 13 Grass collection bag
- 14 Grass collection bag handle
- 15 Side flap
- 16 Side discharge chute
- 17 Lower handle
- 18 Upper handle knobs

Composants

- 1 Boîtier MARCHÉ-ARRÊT
- 2 Bouton MARCHÉ-ARRÊT
- 3 Clé de sûreté
- 4 Poignée principale (supérieure)
- 5 Anse
- 6 Levier de vitesses du système automoteur
- 7 Molettes de verrouillage de la poignée
- 8 Supports de la poignée
- 9 Trous des crans de rangement de la poignée
- 10 Capot du logement des blocs-piles
- 11 Levier de réglage de la hauteur de coupe
- 12 Capot de la porte arrière
- 13 Sac de collecte du gazon
- 14 Poignée du sac de collecte du gazon
- 15 Volet latéral
- 16 Toboggan la décharge latérale
- 17 Poignée inférieure
- 18 Boutons de la poignée supérieure

Componentes

- 1 Caja de interruptor ON-OFF (ENCENDIDO-APAGADO)
- 2 Botón ON-OFF (ENCENDIDO-APAGADO)
- 3 Llave de seguridad
- 4 Manija principal (superior)
- 5 Manija de travesaño
- 6 Palanca de velocidad de accionamiento automático
- 7 Perillas de bloqueo de manija
- 8 Soportes de manija
- 9 Orificios de tope de almacenamiento de manija
- 10 Cubierta de puerto de batería
- 11 Palanca de ajuste de altura de corte
- 12 Cubierta de puerta trasera
- 13 Bolsa de recolección de césped
- 14 Manija de bolsa de recolección de césped
- 15 Aleta lateral
- 16 Conducto de descarga lateral
- 17 Manija inferior
- 18 Perillas de manija superior

Fig. B

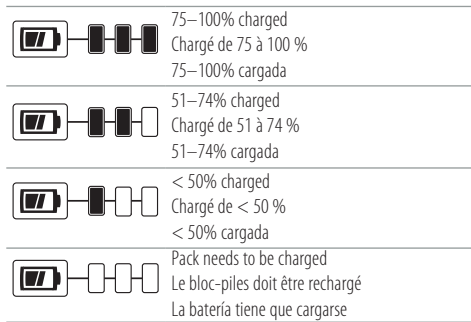


Fig. C

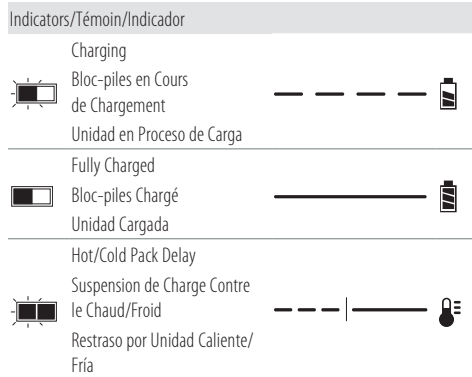


Fig. D

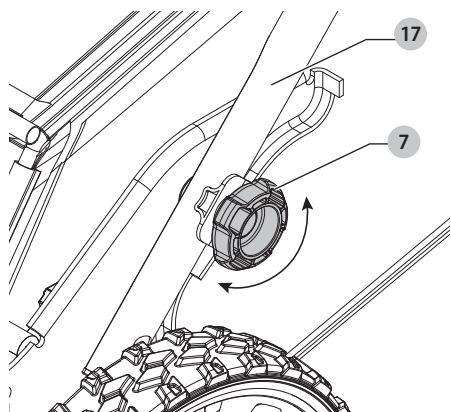


Fig. E

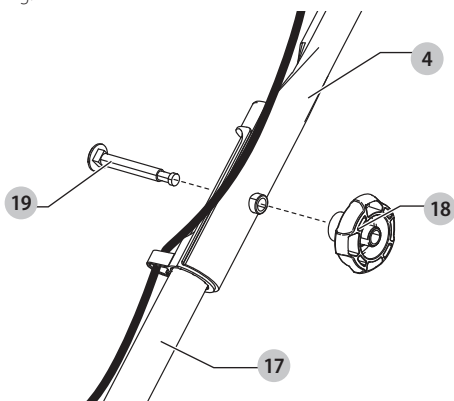


Fig. F

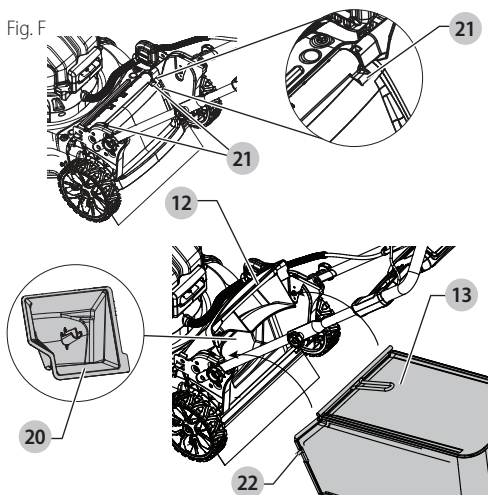


Fig. G

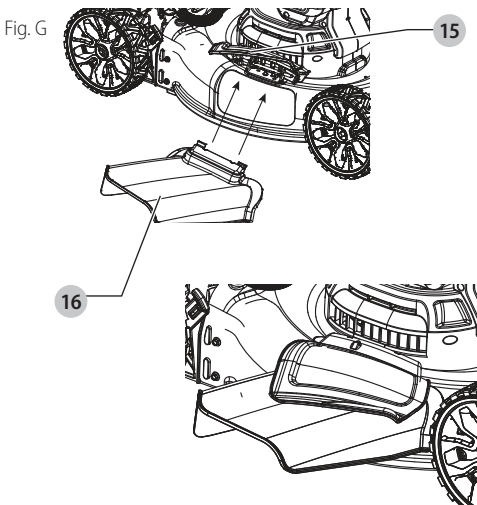


Fig. H

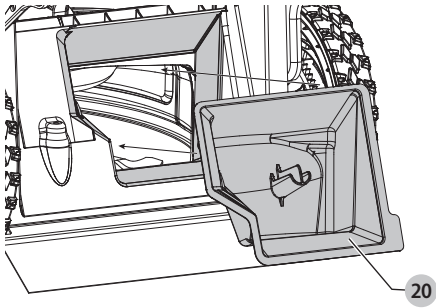


Fig. I

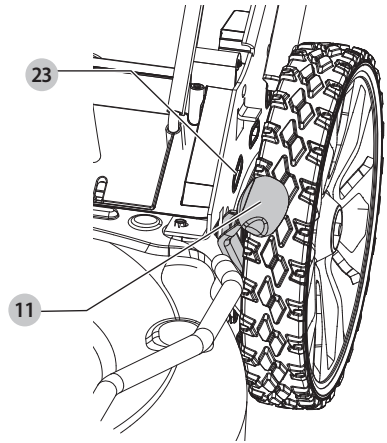


Fig. J

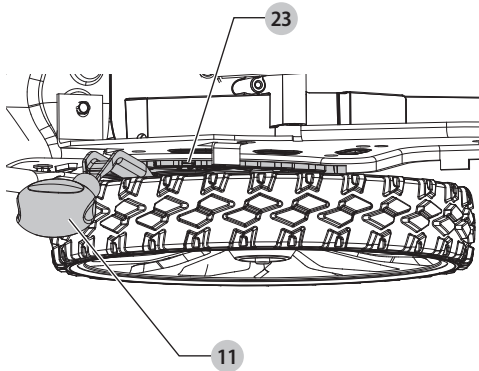


Fig. K

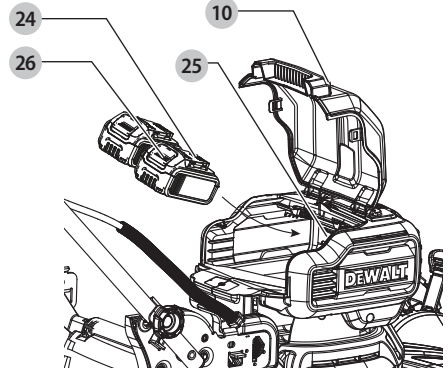


Fig. L

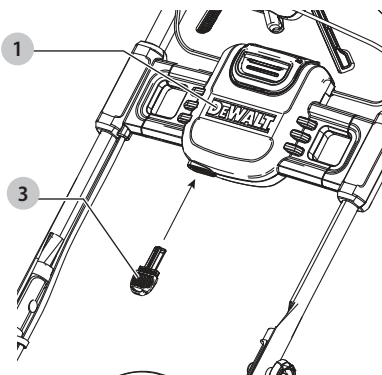


Fig. M

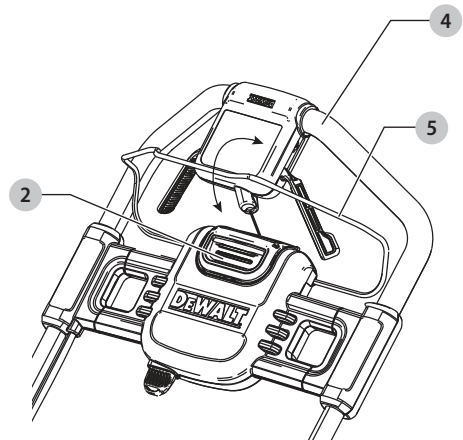


Fig. N

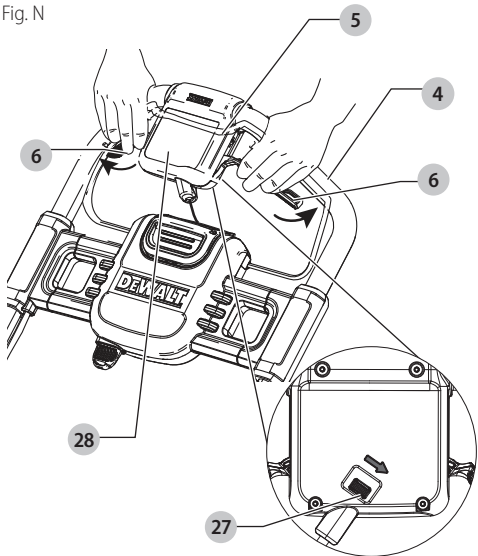


Fig. O

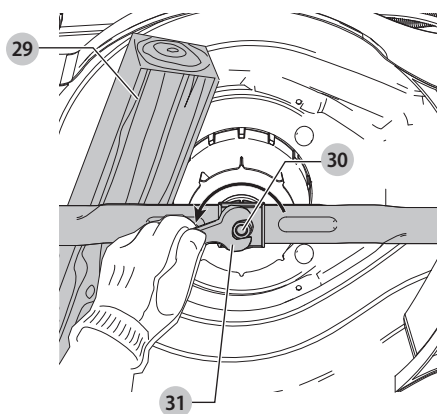


Fig. P

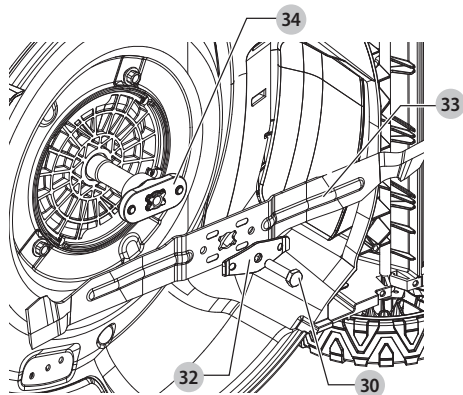


Fig. Q

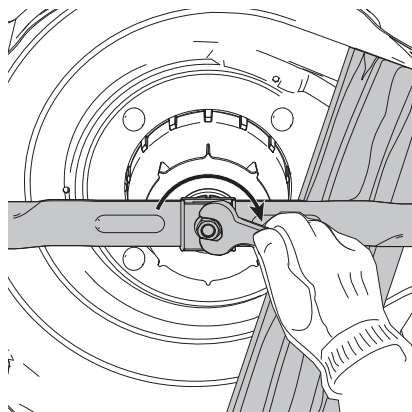


Fig. R

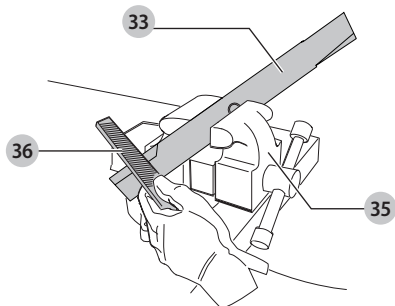
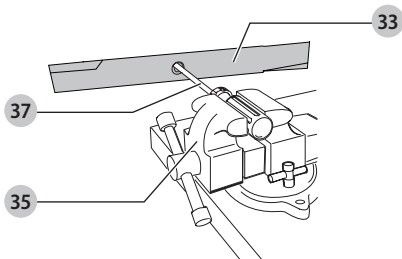
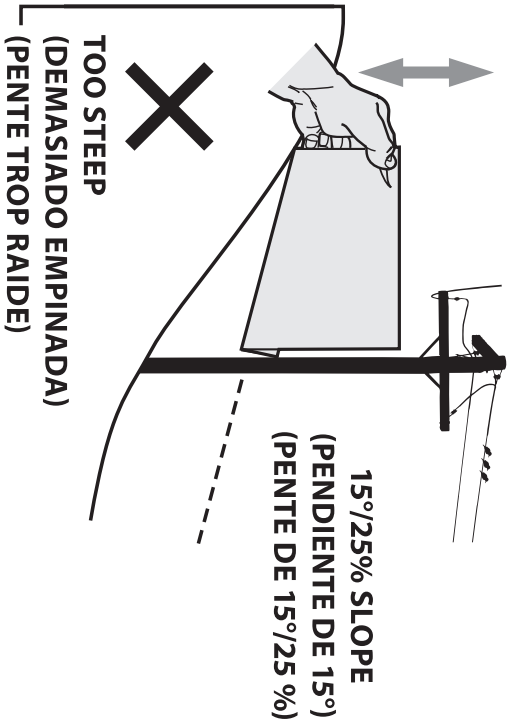
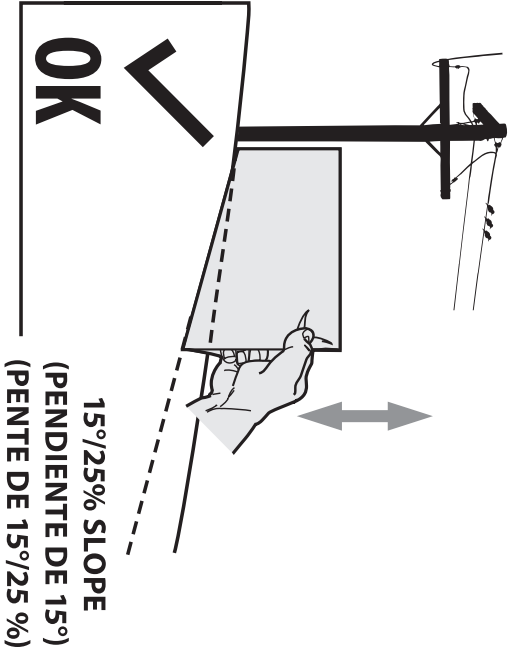


Fig. S



SLOPE GAUGE (INDICADOR DE PENDIENTE) (INCLINOMÈTRE)

Fig. T



15%/25% DASHED LINE
(LÍNEA DE GUIONES A 15°) (PENDE DE 15°/25 %)



WARNING: Read all safety warnings and all instructions. Failure to follow the warnings and instructions may result in electric shock, fire and/or serious injury.



WARNING: To reduce the risk of injury, read the instruction manual.

Intended Use

This lawn mower has been designed for professional lawn mowing applications.

DO NOT use under wet conditions or in presence of flammable liquids or gases.

This lawn mower is a professional lawn care appliance.

DO NOT let children come into contact with the tool.

Supervision is required when inexperienced operators use this tool.

Definitions: Safety Alert Symbols and Words

This instruction manual uses the following safety alert symbols and words to alert you to hazardous situations and your risk of personal injury or property damage.



DANGER: Indicates an imminently hazardous situation which, if not avoided, **will** result in **death or serious injury**.



WARNING: Indicates a potentially hazardous situation which, if not avoided, **could** result in **death or serious injury**.



CAUTION: Indicates a potentially hazardous situation which, if not avoided, **may** result in **minor or moderate injury**.



(Used without word) Indicates a safety related message.

NOTICE: Indicates a practice **not related to personal injury** which, if not avoided, **may** result in **property damage**.

GENERAL POWER TOOL SAFETY WARNINGS



WARNING: Read all safety warnings, instructions, illustrations and specifications provided with this power tool. Failure to follow all instructions listed below may result in electric shock, fire and/or serious injury.

SAVE ALL WARNINGS AND INSTRUCTIONS FOR FUTURE REFERENCE.

The term "power tool" in the warnings refers to your mains-operated (corded) power tool or battery-operated (cordless) power tool.

1) Work Area Safety

- Keep work area clean and well lit.** Cluttered or dark areas invite accidents.
- Do not operate power tools in explosive atmospheres, such as in the presence of flammable liquids, gases or dust.** Power tools create sparks which may ignite the dust or fumes.
- Keep children and bystanders away while operating a power tool.** Distractions can cause you to lose control.

2) Electrical Safety

- Power tool plugs must match the outlet. Never modify the plug in any way. Do not use any adapter plugs with earthed (grounded) power tools.** Unmodified plugs and matching outlets will reduce risk of electric shock.
- Avoid body contact with earthed or grounded surfaces, such as pipes, radiators, ranges and refrigerators.** There is an increased risk of electric shock if your body is earthed or grounded.
- Do not expose power tools to rain or wet conditions.** Water entering a power tool will increase the risk of electric shock.
- Do not abuse the cord. Never use the cord for carrying, pulling or unplugging the power tool. Keep cord away from heat, oil, sharp edges or moving parts.** Damaged or entangled cords increase the risk of electric shock.
- When operating a power tool outdoors, use an extension cord suitable for outdoor use.** Use of a cord suitable for outdoor use reduces the risk of electric shock.
- If operating a power tool in a damp location is unavoidable, use a ground fault circuit interrupter (GFCI) protected supply.** Use of a GFCI reduces the risk of electric shock.

3) Personal Safety

- Stay alert, watch what you are doing and use common sense when operating a power tool. Do not use a power tool while you are tired or under the influence of drugs, alcohol or medication.** A moment of inattention while operating power tools may result in serious personal injury.
- Use personal protective equipment. Always wear eye protection.** Protective equipment such as a dust mask, non-skid safety shoes, hard hat, or hearing protection used for appropriate conditions will reduce personal injuries.
- Prevent unintentional starting. Ensure the switch is in the off-position before connecting to power source and/or battery pack, picking up or carrying the tool.** Carrying power tools with your finger on the switch or energizing power tools that have the switch on invites accidents.
- Remove any adjusting key or wrench before turning the power tool on.** A wrench or a key left attached to a rotating part of the power tool may result in personal injury.
- Do not overreach. Keep proper footing and balance at all times.** This enables better control of the power tool in unexpected situations.
- Dress properly. Do not wear loose clothing or jewelry. Keep your hair, clothing and gloves away from moving parts.** Loose clothes, jewelry or long hair can be caught in moving parts.
- If devices are provided for the connection of dust extraction and collection facilities, ensure these are connected and properly used.** Use of dust collection can reduce dust-related hazards.

- h) **Do not let familiarity gained from frequent use of tools allow you to become complacent and ignore tool safety principles.** A careless action can cause severe injury within a fraction of a second.

4) Power Tool Use and Care

- a) **Do not force the power tool. Use the correct power tool for your application.** The correct power tool will do the job better and safer at the rate for which it was designed.
- b) **Do not use the power tool if the switch does not turn it on and off.** Any power tool that cannot be controlled with the switch is dangerous and must be repaired.
- c) **Disconnect the plug from the power source and/or remove the battery pack, if detachable, from the power tool before making any adjustments, changing accessories, or storing power tools.** Such preventive safety measures reduce the risk of starting the power tool accidentally.
- d) **Store idle power tools out of the reach of children and do not allow persons unfamiliar with the power tool or these instructions to operate the power tool.** Power tools are dangerous in the hands of untrained users.
- e) **Maintain power tools and accessories. Check for misalignment or binding of moving parts, breakage of parts and any other condition that may affect the power tool's operation. If damaged, have the power tool repaired before use.** Many accidents are caused by poorly maintained power tools.
- f) **Keep cutting tools sharp and clean.** Properly maintained cutting tools with sharp cutting edges are less likely to bind and are easier to control.
- g) **Use the power tool, accessories and tool bits etc. in accordance with these instructions, taking into account the working conditions and the work to be performed.** Use of the power tool for operations different from those intended could result in a hazardous situation.
- h) **Keep handles and grasping surfaces dry, clean and free from oil and grease.** Slippery handles and grasping surfaces do not allow for safe handling and control of the tool in unexpected situations.

5) Battery Tool Use and Care

- a) **Recharge only with the charger specified by the manufacturer.** A charger that is suitable for one type of battery pack may create a risk of fire when used with another battery pack.
- b) **Use power tools only with specifically designated battery packs.** Use of any other battery packs may create a risk of injury and fire.
- c) **When battery pack is not in use, keep it away from other metal objects, like paper clips, coins, keys, nails, screws or other small metal objects, that can make a connection from one terminal to another.** Shorting the battery terminals together may cause burns or a fire.

- d) **Under abusive conditions, liquid may be ejected from the battery; avoid contact. If contact accidentally occurs, flush with water. If liquid contacts eyes, additionally seek medical help.** Liquid ejected from the battery may cause irritation or burns.
- e) **Do not use a battery pack or tool that is damaged or modified.** Damaged or modified batteries may exhibit unpredictable behavior resulting in fire, explosion or risk of injury.
- f) **Do not expose a battery pack or tool to fire or excessive temperature.** Exposure to fire or temperature above 265 °F (130 °C) may cause explosion.
- g) **Follow all charging instructions and do not charge the battery pack or tool outside the temperature range specified in the instructions.** Charging improperly or at temperatures outside the specified range may damage the battery and increase the risk of fire.

6) Service

- a) **Have your power tool serviced by a qualified repair person using only identical replacement parts.** This will ensure that the safety of the power tool is maintained.
- b) **Never service damaged battery packs.** Service of battery packs should only be performed by the manufacturer or authorized service providers.

IMPORTANT SAFETY WARNINGS AND INSTRUCTIONS



WARNING: To reduce risk of injury:

- Before any use, be sure everyone using this tool reads and understands all safety instructions and other information contained in this manual.
- Save these instructions and review frequently prior to use and in instructing others.



WARNING: When using battery powered lawn mowers, basic safety precautions should always be followed to reduce the risk of fire, electric shock, and personal injury, including the following:

READ ALL INSTRUCTIONS

GENERAL SAFETY WARNINGS AND INSTRUCTIONS FOR ALL LAWN MOWERS



DANGER:

- **This tool can be dangerous.** Follow all warnings and Safety Instructions in this manual. The operator is responsible for following warnings and instructions in this manual and on unit. Restrict use of this mower to persons who read, understand and follow warnings and instructions in this manual and on unit.
- **Avoid dangerous environment** – don't use lawn mowers in damp or wet locations.
- **Don't Use In Rain.**

- **Keep Children Away** – All visitors should be kept a safe distance from work area.
- **Dress Properly** – Do not wear loose clothing or jewelry. They can be caught in moving parts. Use of rubber gloves and footwear is recommended when working outdoors.
- **Use Safety Glasses** – Always use face or dust mask if operation is dusty.
- **Use Right Appliance** – Do not use lawn mower for any job except that for which it is intended.
- **Check for damaged parts.** Before further use of the mower, a guard or other part that is damaged should be carefully checked to determine that it will operate properly and perform its intended function. Check for alignment of moving parts, binding of moving parts, breakage of parts, mounting, and any other conditions that may affect their operation. A guard or other part that is damaged should be properly repaired or replaced by an authorized service center unless otherwise indicated elsewhere in this manual.
- **Repairs and service.** Repairs, maintenance and any adjustments not specified in this manual should be performed by authorized service centers or other qualified service organizations, always using identical replacement parts.
- **Don't Force Lawn Mower** – It will do the job better and safer at the rate for which it was designed.
- **Don't Overreach** – Keep proper footing and balance at all times.
- **Stay Alert** – Watch what you are doing. Use common sense. Do not operate lawn mower when you are tired.
- **Disconnect Lawn Mower** – Remove the safety key and battery packs from the mower when not in use, before servicing, when changing accessories such as blades, and the like.
- **Store Idle Lawn Mower Indoors** – When not in use, lawn mower should be stored in an indoor dry and locked-up place – out of reach of children. Remove safety key and battery packs.
- **Maintain Lawn Mower With Care** – Keep cutting edges sharp and clean for best and safest performance. Follow instructions for lubricating and changing accessories. Keep handles dry, clean, and free from oil and grease.
- **Keep guards in place and in working order.**
- **Keep blades sharp.**
- **Keep hands and feet away from cutting area.**
- **Objects struck by the lawn mower blade can cause severe injuries to persons.** The lawn should always be carefully examined and cleared of all objects prior to each mowing.
- **If lawn mower strikes a foreign object, follow these steps:**
 1. Stop lawn mower. Release the bail handle.
 2. Remove battery packs and safety key.
 3. Inspect for damage.
 4. Repair any damage before restarting and operating the lawn mower.
- **Use identical replacement blades only.**

SAVE THESE INSTRUCTIONS

Important

Safe Practices for Pedestrian-Controlled Mowers

This machine is capable of amputating hands and feet and throwing objects. Failure to observe the following safety instructions could result in serious injury or death.

General Information

1. Read, understand, and follow instructions and warnings in this manual and on the machine, engine and attachments.
2. Only allow operators, who are responsible, trained, familiar with the instructions, and physically capable to operate the machine.
3. Do not operate the machine while under the influence of alcohol or drugs.

Preparation Before Operating

1. Clear the operating area of any objects which could be thrown by or interfere with operation of the machine.
2. Keep the area of operation clear of all bystanders, particularly small children and pets. Stop the machine and attachment(s) if anyone enters the area.
3. Do not operate the machine without the entire grass catcher, discharge chute, or other safety devices in place and functioning properly. Check frequently for signs of wear or deterioration and replace as needed.
4. Wear appropriate personal protective equipment such as safety glasses, hearing protection, respiratory protection and footwear.

Operating

1. Only operate the machine in daylight or good artificial light.
2. Avoid holes, ruts, bumps, rocks, or other hidden hazards. Uneven terrain could overturn the machine, or cause operator's loss of balance or footing. Tall grass can hide obstacles. Stay behind handle.
3. Do not put hands or feet near rotating parts or under the machine. Keep clear of the discharge opening at all times.
4. Do not direct discharge material toward anyone. Avoid discharging material against a wall or obstruction. Material may ricochet back toward the operator. Stop the blade(s) when crossing gravel surfaces.
5. Do not pull mower backward unless absolutely necessary. Always look down and behind before and while moving backward.
6. Always release the bail handle to stop the motor and wait until the blade comes to a complete stop and remove the safety key and battery packs before cleaning the mower, removing the grass catcher, unclogging the discharge, when leaving the mower, when storing the mower, when transporting the mower, or before any adjustments, repairs or inspection.
7. If the mower should start to vibrate abnormally, release the bail handle, wait for the blade to stop and remove the safety key and battery packs, then check for the cause immediately. Vibration is generally a warning of trouble.

Children Specific

1. Tragic accidents can occur if the operator is not alert to the presence of children. Children are often attracted to the machine and the mowing activity. Never assume that children will remain where you last saw them.
2. Keep children out of the operating area and under the watchful care of a responsible adult other than the operator.
3. Be alert and turn mower off if child enters the area.

Slope Specific

1. Slopes are a major factor related to accidents. Operation on slopes requires extra caution. Only mow slopes that are 15° or less using the Slope Gauge in Fig. T. Do not mow slope if uncomfortable doing so.
2. Mow across the face of slopes; never up and down. Use caution while operating near dropoffs, ditches, or embankments.
3. Avoid mowing wet grass. (Poor footing could cause a slip and fall accident.)
4. Do not operate machine under any condition where traction, steering, or stability is in question. Mower could slide even if the wheels are stopped.
5. Avoid starting and stopping on slopes. Avoid making sudden changes in speed or direction. Make turns slowly and gradually.
6. Use extra care while operating machine with a grass catcher or other attachment(s). They can affect the stability of the machine.

Service

1. Keep machine in good working order. Replace worn or damaged parts.
2. Use caution when servicing blades. Wrap the blade(s) or wear gloves. Replace damaged blades. Do not repair or alter blade(s). Keep all nuts and bolts tight.
3. Keep mower free of grass, leaves, or other debris build-up.
4. Maintain or replace safety and instruction labels as necessary.

The following are explanations of important safety hazard pictorials on the mower.



User must read and understand the instruction manual.



To avoid the risk of serious injury do not mow slopes at an angle of more than 15 °/25%.



To avoid the risk of injury to bystanders keep all persons and pets at a safe distance from the mower while operating.



Always look down and behind before and while moving backward.



Do not operate machine without the side flap or side discharge chute in place.



Do not operate machine without the side flap or side discharge chute in place.



Do not operate the machine without the rear flap in place.



Rotating blades can cause serious injury. Keep hands and feet clear of mower deck and discharge opening at all times. Always be sure blade has stopped. Release bail handle to turn mower off and wait for the blade to stop rotating (approximately 3 seconds) and remove the safety key and battery packs before removing and replacing grass catcher, cleaning, servicing, transporting or lifting the mower.



Objects struck by mower blade can cause serious injury. Stay behind the handle when the motor is running. Always ensure persons and pets are clear of the discharge from the mower while operating. Always inspect mowing area before mowing and remove objects that could be thrown by blade. Release bail handle to turn mower off and wait for the blade to stop rotating (approximately 3 seconds) before crossing walk, roads, patio and gravel drives.

Additional Safety Information



WARNING: Never modify the power tool or any part of it. Damage or personal injury could result.



WARNING: ALWAYS use safety glasses. Everyday eyeglasses are NOT safety glasses. Also use face or dust mask if cutting operation is dusty. Wear hearing protection if cutting operation is noisy. ALWAYS WEAR CERTIFIED SAFETY EQUIPMENT:

- ANSI Z87.1 eye protection (CAN/CSA Z94.3),
- ANSI S12.6 (S3.19) hearing protection,
- NIOSH/OSHA/MSHA respiratory protection.



WARNING: Some dust created by this product contains chemicals known to the State of California to cause cancer, birth defects or other reproductive harm. Some examples of these chemicals are:











- compounds in fertilizers
- compounds in insecticides, herbicides and pesticides
- arsenic and chromium from chemically treated lumber

To reduce your exposure to these chemicals, wear approved safety equipment such as dust masks that are specially designed to filter out microscopic particles.

The label on your tool may include the following symbols. The symbols and their definitions are as follows:

V	volts		DC..... direct current
Hz	hertz	 Class I Construction (grounded)
min	minutes		

ENGLISH


.../min.....	per minute	 Class II Construction (double insulated)
BPM.....	beats per minute	n_0 no load speed
IPM.....	impacts per minute	n rated speed
OPM.....	oscillations per minute	PSI..... pounds per square inch
RPM.....	revolutions per minute	 earthing terminal
sfp.....	surface feet per minute	 safety alert symbol
SPM.....	strokes per minute	 visible radiation do not stare into the light
A.....	amperes	 wear respiratory protection
W.....	watts	 wear eye protection
Wh.....	watt hours	 wear hearing protection
Ah.....	amp hours	 read all documentation
 or AC.....	alternating current		
 or AC/DC.....	alternating or direct current		

BATTERIES AND CHARGERS

The battery pack is not fully charged out of the carton. Before using the battery pack and charger, read the safety instructions below and then follow charging procedures outlined. When ordering replacement battery packs, be sure to include the catalog number and voltage.

READ ALL INSTRUCTIONS

Important Safety Instructions for All Battery Packs

 **WARNING: Read all safety warnings, instructions, and cautionary markings for the battery pack, charger and product. Failure to follow the warnings and instructions may result in electric shock, fire and/or serious injury.**

- **Do not charge or use the battery pack in explosive atmospheres, such as in the presence of flammable liquids, gases or dust.** Inserting or removing the battery pack from the charger may ignite the dust or fumes.
- **NEVER force the battery pack into the charger. DO NOT modify the battery pack in any way to fit into a non-compatible charger as battery pack may rupture causing serious personal injury.** Consult the chart at the end of this manual for compatibility of batteries and chargers.
- **Charge the battery packs only in DEWALT chargers.**
- **DO NOT splash or immerse in water or other liquids.**
- **DO NOT allow water or any liquid to enter battery pack.**
- **Do not store or use the tool and battery pack in locations where the temperature may reach or exceed 104 °F (40 °C) (such as outside sheds or metal buildings in summer).** For best life store battery packs in a cool, dry location.

NOTE: Do not store the battery packs in a tool with the trigger switch locked on. Never tape the trigger switch in the ON position.

- **Do not incinerate the battery pack even if it is severely damaged or is completely worn out.** The battery pack can explode in a fire. Toxic fumes and materials are created when lithium-ion battery packs are burned.
- **Do not expose a battery pack or appliance to fire or excessive temperature.** Exposure to fire or temperature above 265 °F (130 °C) may cause explosion.
- **Follow all charging instructions and do not charge the battery pack or appliance outside of the temperature range specified in the instructions.** Charging improperly or at temperatures outside of the specified range may damage the battery and increase the risk of fire.
- **If battery contents come into contact with the skin, immediately wash area with mild soap and water.** If battery liquid gets into the eye, rinse water over the open eye for 15 minutes or until irritation ceases. If medical attention is needed, the battery electrolyte is composed of a mixture of liquid organic carbonates and lithium salts.
- **Contents of opened battery cells may cause respiratory irritation.** Provide fresh air. If symptoms persist, seek medical attention.
- **Battery liquid may be flammable if exposed to spark or flame.**
- **Never attempt to open the battery pack for any reason. If the battery pack case is cracked or damaged, do not insert into the charger.** Do not crush, drop or damage the battery pack. Do not use a battery pack or charger that has received a sharp blow, been dropped, run over or damaged in any way (e.g., pierced with a nail, hit with a hammer, stepped on). Damaged battery packs should be returned to the service center for recycling.

Storage Recommendations

The best storage place is one that is cool and dry, away from direct sunlight and excess heat or cold. Store the fully charged battery pack out of the charger.


Battery Pack Cleaning Instructions

Dirt and grease may be removed from the exterior of the battery pack using a cloth or soft non-metallic brush. Do not use water or any cleaning solutions.

Fuel Gauge Battery Packs (Fig. B)

Some battery packs include a fuel gauge. When the fuel gauge button is pressed and held, the LED lights will indicate the approximate level of charge remaining. This does not indicate tool functionality and is subject to variation based on product components, temperature, and end-user application.

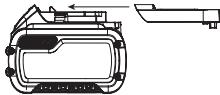
Transportation

 **WARNING: Fire hazard. Do not store, carry, or transport the battery pack so that metal objects can contact exposed battery terminals.** For example, do not place the battery pack in aprons, pockets, tool boxes, product kit boxes, drawers, etc., with loose nails, screws, keys, coins, hand tools, etc. When transporting individual battery packs, make

sure that the battery terminals are protected and well insulated from materials that could contact them and cause a short circuit. **NOTE:** Li-ion battery packs should not be put in checked baggage on airplanes and must be properly protected from short circuits if they are in carry-on baggage.

Shipping the DeWALT FLEXVOLT® Battery Pack

The DeWALT FLEXVOLT® battery pack has a battery cap that should be used when shipping the battery pack.



Attach the cap to the battery pack to ready it for shipping. This converts the battery pack to three separate 20V batteries. The three batteries have the Watt hour rating labeled "Shipping" on the battery pack. If shipping without the cap or in a tool, the pack is one battery at the Watt hour rating labeled "Use".

Example battery pack label:

USE: 120 Wh SHIPPING: 3 x 40 Wh

In this example, the battery pack is three batteries with 40 Watt hours each when using the cap. Otherwise, the battery pack is one battery with 120 Watt hours.

The RBRC® Seal

Please take your spent battery packs to an authorized DeWALT service center or to your local retailer for recycling. In some areas, it is illegal to place spent battery packs in the trash. You may also contact your local recycling center for information on where to drop off the spent battery pack. Do not place in curbside recycling. For more information visit www.call2recycle.org or call the toll free number in the RBRC® Seal.

RBRC® is a registered trademark of Call 2 Recycle, Inc.



Important Safety Instructions for All Battery Chargers



WARNING: Read all safety warnings, instructions, and cautionary markings for the battery pack, charger and product. Failure to follow the warnings and instructions may result in electric shock, fire and/or serious injury.

- **DO NOT attempt to charge the battery pack with any chargers other than a DeWALT charger.** DeWALT chargers and battery packs are specifically designed to work together.
- **These chargers are not intended for any uses other than charging DeWALT rechargeable battery packs.** Charging other types of battery packs may cause them to overheat and burst, resulting in personal injury, property damage, fire, electric shock or electrocution.
- **Do not expose the charger to rain or snow.**
- **Do not allow water or any liquid to enter charger.**

- **Pull by the plug rather than the cord when disconnecting the charger.** This will reduce the risk of damage to the electric plug and cord.
- **Make sure that the cord is located so that it will not be stepped on, tripped over or otherwise subjected to damage or stress.**
- **Do not use an extension cord unless it is absolutely necessary.** Use of improper extension cord could result in risk of fire, electric shock or electrocution.
- **When operating a charger outdoors, always provide a dry location and use an extension cord suitable for outdoor use.** Use of a cord suitable for outdoor use reduces the risk of electric shock.
- **An extension cord must have adequate wire size (AWG or American Wire Gauge) for safety.** The smaller the gauge number of the wire, the heavier the cord and thus the greater its capacity. An undersized cord will cause a drop in line voltage resulting in loss of power and overheating. The following table shows the correct size to use depending on total length of all extension cords plugged together, and nameplate ampere rating. If in doubt, use the next heavier gauge.

Minimum Gauge for Cord Sets

Volts		Total Length of Cord in Feet (meters)			
		25 (7.6)	50 (15.2)	100 (30.5)	150 (45.7)
120V		25 (7.6)	50 (15.2)	100 (30.5)	150 (45.7)
Ampere Rating		American Wire Gauge			
More Than	Not More Than				
0	6	18	16	16	14
6	10	18	16	14	12
10	12	16	16	14	12
12	16	14	12	Not Recommended	

- **Do not place any object on top of the charger or place the charger on a soft surface that might block the ventilation slots and result in excessive internal heat.** Place the charger in a position away from any heat source. The charger is ventilated through slots in the top and the bottom of the housing.
- **Do not operate the charger with a damaged cord or plug.** Have them replaced immediately.
- **Do not operate the charger if it has received a sharp blow, been dropped or otherwise damaged in any way.** Take it to an authorized service center.
- **Do not disassemble the charger; take it to an authorized service center when service or repair is required.** Incorrect reassembly may result in a risk of electric shock, electrocution or fire.
- **The charger is designed to operate on standard 120V household electrical power. Do not attempt to use it on any other voltage.** This does not apply to the vehicular charger.
- **Foreign materials of a conductive nature, such as, but not limited to, grinding dust, metal chips, steel wool, aluminum foil or any buildup of metallic particles should be kept away from the charger cavities and ventilation slots.**

- **Always unplug the charger from the power supply when there is no battery pack in the cavity.**

Charging a Battery (Fig. C)

1. Plug the charger into an appropriate outlet.
2. Insert and fully seat battery pack. The red charging light will continuously blink while charging.
3. Charging is complete when the red charging light remains continuously ON. Battery pack can be left in charger or removed. Some chargers require the battery pack release button to be pressed for removal.
4. Charger will not charge a faulty battery pack, which may be indicated by the light staying OFF. Take charger and battery pack to an authorized service center if light stays OFF.

NOTE: Refer to label near charging light on charger for blink patterns. Older chargers may have additional information and/or may not have a yellow indicator light.

Hot/Cold Pack Delay

When the charger detects a battery pack that is too hot or too cold, it automatically starts a Hot/Cold Pack Delay, suspending charging until the battery pack has reached an appropriate temperature. The charger then automatically switches to the pack charging mode. This feature ensures maximum battery pack life.

A cold battery pack may charge at a slower rate than a warm battery pack.

The hot/cold pack delay will be indicated by the red light continuing to blink but with the yellow light continuously ON. Once the battery pack has reached an appropriate temperature, the yellow light will turn OFF and the charger will resume the charging procedure.

DCB118 and DCB112 Chargers

The DCB118 and DCB112 chargers are equipped with an internal fan designed to cool the battery pack. The fan will turn on automatically when the battery pack needs to be cooled.

Electronic Protection System

Li-Ion tools are designed with an Electronic Protection System that will protect the battery pack against overloading, overheating or deep discharge. The tool will automatically turn off and the battery pack will need to be recharged.

Important Charging Notes

1. Longest life and best performance can be obtained if the battery packs are **24** charged when the air temperature is between 65 °F – 75 °F (18 °C – 24 °C). DO NOT charge when the battery pack is below +40 °F (+4.5 °C), or above +104 °F (+40 °C). This is important and will prevent serious damage to the battery pack.
2. The charger and battery pack may become warm to the touch while charging. This is a normal condition, and does not indicate a problem. To facilitate the cooling of the battery pack after use, avoid placing the charger or battery pack in a warm environment such as in a metal shed or an uninsulated trailer.
3. If the battery pack does not charge properly:

- a. Check operation of receptacle by plugging in a lamp or other appliance;
- b. Check to see if receptacle is connected to a light switch which turns power off when you turn out the lights;
- c. If charging problems persist, take the tool, battery pack and charger to your local service center.
4. You may charge a partially used pack whenever you desire with no adverse effect on the battery pack.

Charger Cleaning Instructions



WARNING: Shock hazard. Disconnect the charger from the AC outlet before cleaning. Dirt and grease may be removed from the exterior of the charger using a cloth or soft non-metallic brush. Do not use water or any cleaning solutions.

Wall Mounting

Some DeWALT chargers are designed to be wall mountable or to sit upright on a table or work surface. If wall mounting, locate the charger within reach of an electrical outlet, and away from a corner or other obstructions which may impede air flow. Use the back of the charger as a template for the location of the mounting screws on the wall. Mount the charger securely using drywall screws (purchased separately) at least 1" (25.4 mm) long, with a screw head diameter of 0.28–0.35" (7–9 mm), screwed into wood to an optimal depth leaving approximately 7/32" (5.5 mm) of the screw exposed. Align the slots on the back of the charger with the exposed screws and fully engage them in the slots.

SAVE THESE INSTRUCTIONS FOR FUTURE USE

ASSEMBLY AND ADJUSTMENTS



DANGER: To reduce the risk of serious personal injury, turn unit off and remove the safety key and battery packs before making any adjustments or removing/installing attachments or accessories. An accidental start-up can cause injury.

Adjusting Handle Height (Fig. D)

The mower is shipped in storage mode. You will need to adjust the handle to operating position before continuing.

1. To unlock the lower handle **17** from the storage position, twist the two handle lock knobs **7** a quarter turn. The handle lock knobs are located on both sides of the lower handle.
2. Raise the lower handle to the most comfortable operating position, choosing the lower or upper hole on each side bracket. Take care to not pinch or stress the cord.
3. Twist the handle lock knobs a quarter turn, securing the lower handle into position.

Attaching Upper Handle (Fig. E)

1. Line up the holes on the bottom of the upper handle **4** with the holes on the top of the lower handle **17**. Take care to not pinch or stress the cord.

NOTE: Make sure the cord is located on the front of both handles. If it is not it may result in the cord tangling and the inability to easily store the mower.

- From the inside of the lower handle, insert the handle bolt **19** through the two handle holes. Repeat for the opposite side.
- From the outside of the upper handle, tighten a handle knob **18** onto each handle bolt. Take care to not pinch or stress the cord.

Grass Collection Bag (Fig. F)

! **DANGER:** Turn unit off and remove safety key and battery packs.

- Lift the rear door cover **12**, remove mulch plug **20**, and place the grass collection bag **13** onto the mower so the bag lugs **21** slide into the slots **22** on the inside plastic surfaces of the handle brackets. Then lower the rear door cover.
- If installed, remove side discharge chute **16** and make sure side flap **15** is fully down.

Side Discharge (Fig. G)

! **DANGER:** Turn unit off and remove safety key and battery packs.

- To operate mower in side discharge mode, remove the grass collection bag **13** and mulch plug **20**.
- Be sure rear door cover **12** is closed.
- Lift the side flap **15** and hook side discharge chute **16** onto the mower.
- Release the side flap and ensure the side discharge chute holds in place before turning mower on.

Mulching (Fig. H)

! **DANGER:** Turn unit off and remove safety key and battery packs.

- To operate mower in mulching mode, remove the grass collection bag **13**.
- Lift the rear door cover **12** and slide the mulch plug **20** fully into the mower.
- Be sure rear door cover is closed.
- If installed, remove side discharge chute **16** and make sure side flap **15** is fully down.

Adjusting Mower Height (Fig. I, J)

The height of cut is adjusted by the cut height adjust lever **11**.

NOTE: If you are not sure which height to cut, begin mowing with the cut height adjustment lever positioned towards the rear.

To Set the Height of Cut

- Pull the cut height adjustment lever out of the locking notch **23**.
- Move the lever towards the rear of the mower to raise the height of cut.
- Move the lever towards the front of the mower to lower the height of cut.
- Push the height adjustment lever into one of the locking notches.

OPERATION

! **DANGER:** To reduce the risk of serious personal injury, turn unit off and remove the safety key and battery packs before making any adjustments or removing/installing attachments or accessories. An accidental start-up can cause injury.

Proper Hand Position (Fig. N)

! **WARNING:** To reduce the risk of serious personal injury, ALWAYS use proper hand position as shown.

! **WARNING:** To reduce the risk of serious personal injury, ALWAYS hold securely in anticipation of a sudden reaction.

Proper hand position requires both hands grasping the main handle **4** and bail handle **5** together when not in self-propel mode; and both hands grasping the main handle, bail handle, and self drive bail handle **6** together when in self-propel mode.

READ THIS INSTRUCTION MANUAL BEFORE OPERATING YOUR MOWER

Refer to Figure A at the beginning of this manual for a complete list of components. Save this manual for future reference.

! **DANGER: Sharp moving blade.** Do not operate the mower in mulching mode if the rear door and side discharge door are not closed under spring tension as serious injury could result. Take your mower to the nearest service center for repair.

! **DANGER:** Do not operate mower unless handle is locked into position.

! **DANGER: Sharp moving blade.** Never operate the mower in bagging mode unless the bag lugs on the grass collection bag are seated properly on the mower and the rear discharge door rests firmly against the top of the grass collection bag as serious injury could result.

! **WARNING:** Let the mower work at its own pace. Do not overload.

Installing and Removing the Battery Packs (Fig. K)

! **DANGER: MAKE CERTAIN THE SAFETY KEY IS REMOVED TO PREVENT ACTUATION BEFORE REMOVING OR INSTALLING BATTERIES.**

This mower is designed to operate on two battery packs of equal capacity. The mower will not operate on a single battery pack, and if using different capacity battery packs, the smaller capacity battery pack, when depleted, will cause the unit to turn off and the LED in front of the closed battery port cover to blink. Unit will also turn off and the LED will blink if the battery packs reach a high temperature limit, which can be caused by cutting heavy grass. If this occurs, allow the battery packs to cool and then resume cutting with the deck set higher.

NOTE: For best results, make sure the battery packs **24** are fully charged.

To Install the Battery Packs

1. Lift and hold the battery port cover **10** up to expose the battery ports **25**.
2. Slide a battery pack into the battery port until an audible click is heard. Repeat for the second battery.

NOTE: Ensure the battery packs are fully seated and fully latched into position before starting mower.

3. Close the battery port cover. Ensure the cover is fully closed before starting mower.

To Remove the Battery Packs

1. Lift and hold the battery port cover up to expose the battery ports.
2. Depress the battery release buttons **26** on the battery packs and pull the battery packs out of tool.

Safety Key (Fig. L)

! **DANGER: Sharp moving blade.** In order to prevent accidental start-up or unauthorized use of your cordless mower, a removable safety key **3** has been incorporated into the design of your mower. The mower will be completely disabled when the safety key has been removed from the mower.

! **DANGER: Rotating blades can cause serious injury.** To prevent serious injury, turn unit off and remove safety key and battery packs when unattended, or when charging, cleaning, servicing, transporting, lifting, or storing mower.

Starting Mower (Fig. K–N)

! **DANGER: Sharp moving blade. Never attempt to override the operation of the switch box and safety key system as serious injury could result.**

! **WARNING: Ensure self drive is disengaged before starting the mower**

NOTE: Mower is operational when battery packs and safety key are installed.

1. Lift and hold the battery port cover **10** up to expose the battery port **25**.
2. Slide a battery pack into the battery port until an audible click is heard. Repeat this process for the second battery port.
NOTE: Ensure the battery packs are fully seated and fully latched into position before starting mower.
3. Close the battery port cover. Ensure the cover is fully closed before starting mower.
4. Insert safety key **3** into the ON-OFF switch box **11** until it is fully seated inside housing. The mower is now operational.

5. Your mower is equipped with a special ON-OFF switch box. To operate the mower, push and hold the ON-OFF button **2** on the ON-OFF switch box, then pull the bail handle **5** to the main handle **4**.

NOTE: Once the mower starts you can release the ON-OFF button, but you must continue to hold the bail handle to the main handle for the mower to run.

6. To turn the mower OFF, release the bail handle.

! **WARNING: Never attempt to lock a switch or bail handle in the ON position.**

NOTE: Once the bail handle has returned to the original position it will activate the "Automatic Braking Mechanism". The motor is braked and the mower blade will stop rotating in three seconds or less. If mower blade rotates longer than three seconds, discontinue using mower and have it serviced.

Variable Speed Self Drive System (Fig. N)

! **DANGER: Sharp moving blade. Never attempt to override the operation of the switch box, the self drive system or the safety key system as serious injury could result.**

Your mower is equipped with variable speed self drive. This system is dependent on the blade ON-OFF switch. It can only be used with the blade spinning.

1. Follow **Starting Mower** instructions.
2. To turn on self drive, hold blade bail handle **5** in place against the main handle **4** with one hand.
3. Pull the self drive speed lever **6** toward the main handle with your other hand.
4. You can hold just the speed lever or hold both bail handle and speed lever simultaneously.
5. To turn off self drive, release the speed lever.

NOTE: When you turn off the self drive, for example at the end of a row, the wheels may become temporarily locked if you pull backwards on the mower. Simply push ahead slightly and then move the mower as required.

NOTE: During cutting, at times it may be easier to maneuver around an object, such as a tree or plants, with the self drive off. The mower can easily be used with the self drive off.

Variable Speed Adjustment Wheel (Fig. N)

Your mower is equipped with a variable speed adjustment wheel **27** located on the bottom of self drive housing **28**. This system adjusts how quickly or slowly the self drive system propels the mower.

1. To increase the speed of the self drive system, rotate the variable speed adjustment wheel in the direction indicated by the arrow located next to the variable speed adjustment wheel.
2. To decrease the speed of the self drive system, rotate the variable speed adjustment wheel in the opposite direction indicated by the arrow located next to the variable speed adjustment wheel.

Mower Overload

To prevent damage due to overload conditions, do not try to remove too much grass at one time. Slow down your cutting pace, or raise the cut height.

Mowing Tips (Fig. A)

! **WARNING: ALWAYS INSPECT AREA WHERE MOWER IS TO BE USED AND REMOVE ALL STONES, STICKS, WIRE, BONES, AND OTHER DEBRIS WHICH MIGHT BE THROWN BY THE ROTATING BLADE.**

! **WARNING: Mow across the face of slopes, never up-and-down. Exercise extreme caution when**

changing direction on slopes. Do not mow excessively steep slopes. Always maintain good footing.



- Release bail handle **5** to turn mower "OFF" when crossing any gravel area (stones can be thrown by the blade).
- Set mower at highest cutting height when mowing in rough ground or in tall weeds. Removing too much grass at one time can cause the motor to be overloaded and to stop.
- If a grass collection bag **13** is used during the fast growing season, the grass may tend to clog up at the discharge opening. Release bail handle to turn mower off, remove the safety key **3** and battery packs **24**. Remove the catcher and shake the grass down to the back end of the bag. Also clean out any grass or debris which may be packed around the discharge opening. Replace the grass catcher.
- If mower should start to vibrate abnormally, release bail handle to turn mower off, remove the safety key and battery packs. Check immediately for cause. Vibration is a warning of trouble. Do not operate mower until a service check has been made.
- For best cutting results, keep blade sharpened and balanced.
- Inspect and thoroughly clean mower after each use as a deck with caked grass will degrade performance.
- Always release bail handle to turn mower off, remove safety key and battery packs when leaving it unattended even for a short period of time.

The following suggestions will help you to obtain optimum runtime from your cordless mower:

- Slow down in areas where the grass is especially long or thick.
- Avoid mowing when the grass is wet from rain or dew-soaked.
- Cut your lawn frequently, especially during high growth periods.

NOTE: It is recommended that your battery packs be recharged after use to prolong the battery pack life. Frequent charging will not harm your battery pack, and will ensure that the battery pack is fully charged and ready for its next use. Storing battery pack not fully charged will shorten its life.

Storage (Fig. A)


-  **DANGER: Rotating blade can cause serious injury.** Release bail handle to turn mower off, remove safety key, and remove battery packs before lifting, transporting, or storing the mower. Store in a dry place.
-  **CAUTION: Pinch point.** To avoid being pinched, keep fingers away from area around handle brackets when folding down handles.

The handle of the mower can be easily folded down for quick and convenient storage.



1. On the lower handle, twist the handle lock knobs **7** a quarter turn.

2. Rotate the handle towards the front of the mower. Take care to not pinch or stress the cord.
3. Twist the handle lock knobs a quarter turn to lock the handle into storage position.
4. The mower can be stored standing up, with the collection bag removed, or flat on its wheels.

MAINTENANCE


-  **DANGER: To reduce the risk of serious personal injury, turn unit off and remove the safety key and battery packs before making any adjustments or removing/installing attachments or accessories.** An accidental start-up can cause injury.

Removing and Installing Blade (Fig. 0–Q)

-  **DANGER: RISK OF INJURY.** WHEN REASSEMBLING THE BLADE SYSTEM, ENSURE EACH PART IS REINSTALLED CORRECTLY, AS DESCRIBED BELOW. IMPROPER ASSEMBLY OF THE BLADE OR OTHER PARTS OF THE BLADE SYSTEM MAY CAUSE SERIOUS INJURY.
-  **DANGER: To reduce the risk of serious personal injury, turn unit off, remove safety key and battery packs before making any adjustments or removing/installing attachments or accessories.** An accidental start-up can cause injury.

Replacement blades are available from your nearest authorized service center. This mower requires replacement blade.

1. Cut a piece of 2" x 4" wood **29** (about 2 feet long) (610 mm) to keep blade from turning when removing the blade bolt **30**.

-  **WARNING: Use gloves and proper eye protection.** Turn the mower on its side. Be careful of sharp edges of blade.


2. Position wood and unscrew the blade bolt counterclockwise with a 5/8" (16 mm) wrench **31** (not included) as shown in Fig. O.
3. Remove blade bolt spring plate **32** and blade **33** as shown in Fig. P. Examine all pieces for damage and replace if necessary.
4. Install sharpened or new blade on shoulder of the blade adapter **34** as shown in Fig. P. Blade has a winged cut out which must match and engage the same shaped projection on the blade adapter.

NOTE: When replacing sharpened or new blade on shoulder of blade adapter make sure the bottom of the blade as marked BOTTOM will be facing the ground when the mower is returned to its normal upright position.

5. Install the spring plate on the blade. Be sure to align the bosses on the spring plate with the detents in the blade, rotating the blade and spring plate together as necessary.
6. Position piece of wood to keep blade from turning as shown in Fig. Q. Install blade bolt and securely tighten the blade with a 5/8" (16 mm) wrench.

Blade Sharpening

KEEP BLADE SHARP FOR BEST MOWER PERFORMANCE. A DULL BLADE DOES NOT CUT GRASS CLEANLY.

 **WARNING:** Use gloves and proper eye protection while removing, sharpening, and installing blade. Ensure that safety key and battery pack are removed.

Sharpening the blade twice during a mowing season is usually sufficient under normal circumstances. Sand causes the blade to dull quickly. If your lawn has sandy soil, more frequent sharpening may be required. **REPLACE BENT OR DAMAGED BLADE IMMEDIATELY.**

When Sharpening the Blade:

- Make sure blade remains balanced.
- Sharpen blade at the original cutting angle.
- Sharpen cutting edges on both ends of blade, removing equal amounts of material from both ends.


To Sharpen Blade in a Vise (Fig. R)


1. Be sure the bail handle is released, the blade has stopped and safety key and battery packs are removed before removing the blade.
2. Remove blade from mower. See instructions for **Removing and Installing Blade.**
3. Secure blade **33** in a vise **35**.
4. Wear proper eye protection and gloves and be careful not to cut yourself.
5. Carefully file the cutting edges of the blade with a fine tooth file **36** (not included) or sharpening stone (not included), maintaining the angle of the original cutting edge.
6. Check balance of blade. See instructions for **Blade Balancing.**
7. Replace blade on mower and tighten securely.

Blade Balancing (Fig. S)

Check balance of the blade **33** by placing center hole in the blade over a nail or round screwdriver **37**, clamped horizontally in a vise **35**. If either end of the blade rotates downward, file along the sharp edge of that dropping end. Blade is properly balanced when neither end drops.

Cleaning (Fig. A)

 **WARNING:** Blow dirt and dust out of all air vents with clean, dry air at least once a week. To minimize the risk of eye injury, always use ANSI Z87.1 (CAN/CSA Z94.3) approved eye protection and NIOSH/OSHA/MSHA approved respiratory protection when performing this.


 **WARNING:** Never use solvents or other harsh chemicals for cleaning the non-metallic parts of the tool. These chemicals may weaken the plastic materials used in these parts. Use a cloth dampened only with water and mild soap. Never let any liquid get inside the tool; never immerse any part of the tool into a liquid.

Release bail handle **5** to turn mower off, let the blade come to a stop and then remove the battery packs and safety key. Clean out any clippings which may have accumulated on the underside of the deck. Do not spray water or other liquids. After several uses, check all exposed fasteners for tightness.

Corrosion (Fig. A)

Fertilizers and other garden chemicals contain agents which greatly accelerate the corrosion of metals. If you mow in areas where fertilizers or chemicals have been used, the mower should be cleaned immediately afterward as follows:


Release bail handle **5** to turn mower off and remove battery and safety key. Wipe all exposed parts with a damp cloth.

 **CAUTION:** Do not pour or spray water on the mower in an attempt to clean it. Do not store the tool on or adjacent to fertilizers or chemicals. Such storage can cause rapid corrosion.

Meets CPSC Safety Requirements

DEWALT Mowers conform to the safety standards of the American National Standards Institute, and the U.S. Consumer Product Safety Commission. The blade turns when the blade motor is running.


Accessories

 **WARNING:** Since accessories, other than those offered by DEWALT, have not been tested with this product, use of such accessories with this tool could be hazardous. To reduce the risk of injury, only DEWALT recommended accessories should be used with this product.

Recommended accessories for use with your tool are available at extra cost from your local dealer or authorized service center. If you need assistance in locating any accessory, please contact DEWALT call 1-800-4-DEWALT (1-800-433-9258) or visit our website: www.dewalt.com.

Repairs

The charger and battery pack are not serviceable. There are no serviceable parts inside the charger or battery pack.

 **WARNING:** To assure product SAFETY and RELIABILITY, repairs, maintenance and adjustment (including brush inspection and replacement, when applicable) should be performed by a DEWALT factory service center or a DEWALT authorized service center. Always use identical replacement parts.

Register Online

Thank you for your purchase. Register your product now for:

- **WARRANTY SERVICE:** Registering your product will help you obtain more efficient warranty service in case there is a problem with your product.
- **CONFIRMATION OF OWNERSHIP:** In case of an insurance loss, such as fire, flood or theft, your registration of ownership will serve as your proof of purchase.
- **FOR YOUR SAFETY:** Registering your product will allow us to contact you in the unlikely event a safety notification is required under the Federal Consumer Safety Act.
- Register online at www.dewalt.com.

Three Year Limited Warranty

DeWALT will repair or replace, without charge, any defects due to faulty materials or workmanship for three years from the date of purchase (two years for batteries). This warranty does not cover part failure due to normal wear or tool abuse. For further detail of warranty coverage and warranty repair information, visit www.dewalt.com or call 1-800-4-DeWALT (1-800-433-9258). This warranty does not apply to accessories or damage caused where repairs have been made or attempted by others. THIS LIMITED WARRANTY IS GIVEN IN LIEU OF ALL OTHERS, INCLUDING THE IMPLIED WARRANTY OF MERCHANTABILITY AND FITNESS FOR A PARTICULAR PURPOSE, AND EXCLUDES ALL INCIDENTAL OR CONSEQUENTIAL DAMAGES. Some states do not allow limitations on how long an implied warranty lasts or the exclusion or limitation of incidental or consequential damages, so these limitations may not apply to you. This warranty gives you specific legal rights and you may have other rights which vary in certain states or provinces.

In addition to the warranty, DeWALT tools are covered by our:

2 YEARS FREE SERVICE ON

DeWALT BATTERY PACKS

DC9071, DC9091, DC9096, DC9182, DC9280, DC9360,
DCB120, DCB122, DCB124, DCB127, DCB201, DCB203BT,
DCB207, DCB361

3 YEARS FREE SERVICE ON DeWALT BATTERY PACKS

DCB200, DCB203, DCB204, DCB204BT, DCB205, DCB205BT,
DCB206, DCB208, DCB230, DCB240, DCB606, DCB609,
DCB612, DCB615

NOTE: Battery warranty voided if the battery pack is tampered with in any way. DeWALT is not responsible for any injury caused by tampering and may prosecute warranty fraud to the fullest extent permitted by law.

90 DAY MONEY BACK GUARANTEE

If you are not completely satisfied with the performance of your DeWALT Power Tool or Nailer for any reason, you can return it within 90 days from the date of purchase with a receipt for a full refund – no questions asked.

LATIN AMERICA: This warranty does not apply to products sold in Latin America. For products sold in Latin America, see country specific warranty information contained in the packaging, call the local company or see website for warranty information.

FREE WARNING LABEL REPLACEMENT: If your warning labels become illegible or are missing, call 1-800-4-DeWALT (1-800-433-9258) for a free replacement.



AVERTISSEMENT : lire tous les avertissements de sécurité et toutes les directives. Le non-respect des avertissements et des directives pourrait se solder par un choc électrique, un incendie et/ou une blessure grave.



AVERTISSEMENT : afin de réduire le risque de blessures, lire le mode d'emploi de l'outil.

Utilisation prévue

Cette tondeuse a été conçue pour des applications de tonte de gazon professionnelles.

NE PAS utiliser en conditions mouillées ou en présence de liquides ou de gaz inflammables.

Cette tondeuse à gazon est un appareil professionnel d'entretien du gazon.

NE PAS laisser les enfants entrer en contact avec l'outil.

Une supervision est requise lorsque des utilisateurs inexpérimentés utilisent cet outil.

Définitions : symboles et termes

d'alarmes sécurité

Ces guides d'utilisation utilisent les symboles et termes d'alarmes sécurité suivants pour vous prévenir de situations dangereuses et de risques de dommages corporels ou matériels.



DANGER : indique une situation dangereuse imminente qui, si elle n'est pas évitée, entraînera la mort ou des blessures graves.



AVERTISSEMENT : indique une situation potentiellement dangereuse qui, si elle n'est pas évitée, pourrait entraîner la mort ou des blessures graves.



ATTENTION : indique une situation potentiellement dangereuse qui, si elle n'est pas évitée, pourrait entraîner des blessures légères ou modérées.



(Si utilisé sans aucun terme) Indique un message propre à la sécurité.

AVIS : indique une pratique ne posant aucun risque de dommages corporels mais qui par contre, si rien n'est fait pour l'éviter, pourrait poser des risques de dommages matériels.

AVERTISSEMENTS GÉNÉRAUX SUR LA SÉCURITÉ DES OUTILS



AVERTISSEMENT : lisez tous les avertissements de sécurité, toutes les instructions, les illustrations et les caractéristiques fournis avec cet outil électrique. Ne pas suivre toutes les instructions comprises aux présentes peut conduire à un choc électrique, un incendie et/ou des blessures graves.

CONSERVER TOUS LES AVERTISSEMENTS ET TOUTES LES DIRECTIVES POUR UN USAGE ULTÉRIEUR

Le terme « outil électrique » cité dans les avertissements se rapporte à votre outil électrique à alimentation sur secteur (avec fil) ou par piles (sans fil).

1) Sécurité du lieu de travail

- Tenir l'aire de travail propre et bien éclairée.** Les lieux encombrés ou sombres sont propices aux accidents.
- Ne pas faire fonctionner d'outils électriques dans un milieu déflagrant, tel qu'en présence de liquides, de gaz ou de poussières inflammables.** Les outils électriques produisent des étincelles qui pourraient enflammer la poussière ou les vapeurs.
- Éloigner les enfants et les personnes à proximité pendant l'utilisation d'un outil électrique.** Une distraction pourrait en faire perdre la maîtrise à l'utilisateur.

2) Sécurité en matière d'électricité

- Les fiches des outils électriques doivent correspondre à la prise. Ne jamais modifier la fiche d'aucune façon. Ne jamais utiliser de fiche d'adaptation avec un outil électrique mis à la terre.** Le risque de choc électrique sera réduit par l'utilisation de fiches non modifiées correspondant à la prise.
- Éviter tout contact physique avec des surfaces mises à la terre comme des tuyaux, des radiateurs, des cuisinières et des réfrigérateurs.** Le risque de choc électrique est plus élevé si votre corps est mis à la terre.
- Ne pas exposer les outils électriques à la pluie ou à l'humidité.** La pénétration de l'eau dans un outil électrique augmente le risque de choc électrique.
- Ne pas utiliser le cordon de façon abusive. Ne jamais utiliser le cordon pour transporter, tirer ou débrancher un outil électrique. Tenir le cordon éloigné de la chaleur, de l'huile, des bords tranchants et des pièces mobiles.** Les cordons endommagés ou enchevêtrés augmentent les risques de choc électrique.
- Pour l'utilisation d'un outil électrique à l'extérieur, se servir d'une rallonge convenant à cette application.** L'utilisation d'une rallonge conçue pour l'extérieur réduira les risques de choc électrique.
- S'il est impossible d'éviter l'utilisation d'un outil électrique dans un endroit humide, brancher l'outil dans une prise ou sur un circuit d'alimentation dotés d'un disjoncteur de fuite à la terre (GFCI).** L'utilisation de ce type de disjoncteur réduit les risques de choc électrique.

3) Sécurité personnelle

- Être vigilant, surveiller le travail effectué et faire preuve de jugement lorsqu'un outil électrique est utilisé. Ne pas utiliser d'outil électrique en cas de fatigue ou sous l'influence de drogues, d'alcool ou de médicaments.** Un simple moment d'inattention en utilisant un outil électrique peut entraîner des blessures corporelles graves.
- Utiliser des équipements de protection individuelle. Toujours porter une protection oculaire.** L'utilisation d'équipements de protection comme un masque antipoussière, des chaussures

antidérapantes, un casque de sécurité ou des protecteurs auditifs lorsque la situation le requiert réduira les risques de blessures corporelles.

- c) **Empêcher les démarrages intempestifs. S'assurer que l'interrupteur se trouve à la position d'arrêt avant de relier l'outil à une source d'alimentation et/ou d'insérer un bloc-piles, de ramasser ou de transporter l'outil.** Transporter un outil électrique alors que le doigt repose sur l'interrupteur ou brancher un outil électrique dont l'interrupteur est à la position de marche risque de provoquer un accident.
- d) **Retirer toute clé de réglage ou clé avant de démarrer l'outil.** Une clé ou une clé de réglage attachée à une partie pivotante de l'outil électrique peut provoquer des blessures corporelles.
- e) **Ne pas trop tendre les bras. Conserver son équilibre en tout temps.** Cela permet de mieux maîtriser l'outil électrique dans les situations imprévues.
- f) **S'habiller de manière appropriée. Ne pas porter de vêtements amples ni de bijoux. Garder les cheveux, les vêtements et les gants à l'écart des pièces mobiles.** Les vêtements amples, les bijoux ou les cheveux longs risquent de rester coincés dans les pièces mobiles.
- g) **Si des composants sont fournis pour le raccordement de dispositifs de dépoussiérage et de ramassage, s'assurer que ceux-ci sont bien raccordés et utilisés.** L'utilisation d'un dispositif de dépoussiérage peut réduire les dangers engendrés par les poussières.
- h) **Ne pas laisser votre connaissance acquise suite l'utilisation fréquente des outils vous permettre de baisser la garde et ignorer les principes de sécurité de l'outil.** Un acte irréfléchi peut causer une blessure grave en une fraction de seconde.

4) Utilisation et entretien d'un outil électrique

- a) **Ne pas forcer un outil électrique. Utiliser l'outil électrique approprié à l'application.** L'outil électrique approprié effectuera un meilleur travail, de façon plus sûre et à la vitesse pour laquelle il a été conçu.
- b) **Ne pas utiliser un outil électrique dont l'interrupteur est défectueux.** Tout outil électrique dont l'interrupteur est défectueux est dangereux et doit être réparé.
- c) **Débranchez la fiche de la prise électrique et, si amovible, retirez le bloc-piles de l'outil avant d'effectuer tout ajustement, changement et entreposage de celui-ci.** Ces mesures préventives réduisent les risques de démarrage accidentel de l'outil électrique.
- d) **Ranger les outils électriques hors de la portée des enfants et ne permettre à aucune personne n'étant pas familière avec un outil électrique ou son mode d'emploi d'utiliser cet outil.** Les outils électriques deviennent dangereux entre les mains d'utilisateurs inexpérimentés.

- e) **Gardez les poignées et surfaces d'emprise propres et libres de tout produit lubrifiant. Vérifier si les pièces mobiles sont mal alignées ou coincées, si des pièces sont brisées ou présentent toute autre condition susceptible de nuire au bon fonctionnement de l'outil électrique.** En cas de dommage, faire réparer l'outil électrique avant toute nouvelle utilisation. Beaucoup d'accidents sont causés par des outils électriques mal entretenus.
- f) **S'assurer que les outils de coupe sont aiguisés et propres.** Les outils de coupe bien entretenus et affûtés sont moins susceptibles de se coincer et sont plus faciles à maîtriser.
- g) **Utiliser l'outil électrique, les accessoires, les forets, etc. conformément aux présentes directives en tenant compte des conditions de travail et du travail à effectuer.** L'utilisation d'un outil électrique pour toute opération autre que celle pour laquelle il a été conçu est dangereuse.
- h) **Garder vos mains et les surfaces de prise sèches, propres et libres de graisse et de poussière.** Les mains et les surfaces de prise glissante ne permettent pas la manutention et le contrôle sécuritaires de l'outil dans les situations imprévues.

5) Utilisation et entretien du bloc-piles

- a) **Ne recharger l'outil qu'au moyen du chargeur précisé par le fabricant.** L'utilisation d'un chargeur qui convient à un type de bloc-piles risque de provoquer un incendie s'il est utilisé avec un autre type de bloc-piles.
- b) **Utiliser les outils électriques uniquement avec les bloc-piles conçus à cet effet.** L'utilisation de tout autre bloc-piles risque de causer des blessures ou un incendie.
- c) **Lorsque le bloc-piles n'est pas utilisé, le tenir éloigné des objets métalliques, notamment des trombones, de la monnaie, des clés, des clous, des vis ou autres petits objets métalliques qui peuvent établir une connexion entre les deux bornes.** Le court-circuit des bornes du bloc-piles risque de provoquer des brûlures ou un incendie.
- d) **En cas d'utilisation abusive, le liquide peut gicler hors du bloc-piles; éviter tout contact avec le liquide. Si un contact accidentel se produit, laver à grande eau. Si le liquide entre en contact avec les yeux, obtenir également des soins médicaux.** Le liquide qui gicle hors du bloc-piles peut provoquer des irritations ou des brûlures.
- e) **Ne pas utiliser de bloc-piles ou outil qui a été endommagé ou modifié.** Les unités endommagées ou modifiées peuvent avoir une réaction imprévisible résultant en un incendie, une explosion ou un potentiel de blessure.
- f) **Ne pas exposer de bloc-piles ou l'outil aux flammes ou à des températures excessives.** L'exposition aux flammes ou à une température au-dessus de 130 °C (265 °F) pourrait causer une explosion.

- g) **Suivre toutes les instructions de recharge et ne rechargez pas le bloc-piles ou l'outil à des températures hors de la plage de température indiquée dans les instructions.** Une recharge non conforme ou à une température hors des limites spécifiées peut endommager les piles et augmenter le risque d'incendie.

6) Réparation

- a) **Faire réparer l'outil électrique par un réparateur professionnel en n'utilisant que des pièces de rechange identiques.** Cela permettra de maintenir une utilisation sécuritaire de l'outil électriques.
- b) **Ne jamais réparer des blocs-piles endommagés.** La réparation de blocs-piles doit seulement être effectuée par le fabricant ou les fournisseurs de service autorisé.

AVERTISSEMENTS DE SÉCURITÉ IMPORTANTS ET INSTRUCTIONS



AVERTISSEMENT : afin de réduire le risque de blessure :

- Avant toute utilisation, assurez-vous que toutes les personnes qui utiliseront cet outil lisent et comprennent toutes les consignes de sécurité et les autres informations contenues dans le présent manuel.
- Conservez ces instructions et passez-les en revue fréquemment avant l'utilisation et la formation d'autres personnes.



AVERTISSEMENT : lors de l'utilisation de tondeuses à gazon alimentées par piles, les mesures de précaution de base devraient toujours être prises pour réduire le risque d'incendie, de choc électrique et de blessures, incluant ce qui suit :

LISEZ TOUTES LES INSTRUCTIONS

INSTRUCTIONS ET AVERTISSEMENTS DE SÉCURITÉ GÉNÉRAUX POUR TOUTES LES TONDEUSES À GAZON



DANGER :

- **Cet outil peut être dangereux.** Suivez tous les avertissements et toutes les instructions de sécurité dans ce manuel. L'utilisateur est responsable de suivre les avertissements et instructions de ce manuel et sur l'appareil. Limitez l'utilisation de cette tondeuse aux personnes qui lisent, comprennent et suivent les avertissements et les instructions de ce manuel et sur l'appareil.
- **Évitez les environnements dangereux** - n'utilisez pas la tondeuse dans des endroits humides ou mouillés.
- **Ne pas utiliser sous la pluie.**
- **Tenez les enfants éloignés** - Tous les visiteurs doivent être tenus à une distance sécuritaire de la zone de travail.
- **Portez des vêtements appropriés** - Ne portez pas des vêtements amples ou des bijoux. Ils peuvent se coincer dans les pièces qui se déplacent. L'utilisation de gants en

caoutchouc et de chaussures est recommandée lors du travail extérieur.

- **Utilisez des lunettes de sécurité** - Utilisez toujours un masque facial ou cache-poussière si l'opération est poussiéreuse.
- **Utilisez l'appareil adapté** - Ne pas utiliser la tondeuse à gazon pour toute tâche autre que celles pour lesquelles elle est conçue.
- **Faire un contrôle pour détecter toute pièce endommagée.** Avant toute utilisation ultérieure de la tondeuse, un protecteur ou une autre pièce qui est endommagé doit être soigneusement vérifié afin de déterminer s'il fonctionnera correctement et s'il effectuera la fonction prévue. Vérifiez l'alignement des pièces qui se déplacent, les fixations des pièces qui se déplacent, le bris des pièces, le montage et tout autre état qui peut affecter leur utilisation. Un protecteur ou une autre pièce qui est endommagé doit être convenablement réparé ou remplacé par un centre de services autorisé sauf indication contraire dans ce manuel.
- **Réparations et service.** Les réparations, l'entretien et les ajustements non énumérés dans ce guide doivent être effectués dans des centres de services autorisés ou des entreprises de service qualifiées, toujours en utilisant des pièces de remplacement identiques.
- **Ne pas forcer la tondeuse** - Elle fonctionnera mieux et sera plus sécuritaire à la vitesse pour laquelle elle a été conçue.
- **Ne pas s'étirer** - Maintenez vos pieds bien daplomb sur le sol et un bon équilibre en tout temps.
- **Demeurez vigilant** - Regardez ce que vous faites. Faites preuve de bon sens. Ne pas utiliser la tondeuse lorsque vous êtes fatigué.
- **Débrancher la tondeuse à gazon** - Retirez la clé de sûreté et les blocs-piles de la tondeuse lorsqu'elle n'est pas utilisée, avant l'entretien, pour changer des accessoires comme les lames et autres.
- **Entrez la tondeuse à gazon arrêtée à l'intérieur** - Lorsqu'elle n'est pas utilisée, la tondeuse à gazon doit être entreposée à l'intérieur dans un endroit sec et verrouillé hors de portée des enfants. Retirez la clé de sûreté et les blocs-piles.
- **Entretenez soigneusement la tondeuse à gazon** - Gardez bords coupants aiguisés et propre pour la meilleure performance et la plus sécuritaire. Pour lubrifier l'outil et remplacer les accessoires, suivez les directives du manuel. Gardez vos mains sèches, propres et exemptes de graisse et de poussière.
- **Maintenez les protecteurs en place en bon état de fonctionnement.**
- **Gardez les lames aiguisées.**
- **Gardez vos mains et vos pieds à distance de la zone de coupe.**
- **Les objets frappés par la lame de la tondeuse à gazon peuvent causer des blessures graves à des personnes.** Le gazon doit toujours être soigneusement examiné et libre de tout objet avant chaque tonte.

- **Si la tondeuse à gazon frappe un objet étranger, suivez ces étapes :**
 1. Arrêtez la tondeuse à gazon. Relâchez l'anse.
 2. Retirez les blocs-piles et la clé de sûreté.
 3. Inspectez pour tout dommage.
 4. Réparez tout dommage avant de redémarrer et d'utiliser la tondeuse à gazon.
- **Utilisez seulement des lames de remplacement identiques.**

CONSERVEZ CES INSTRUCTIONS

Important

Pratiques sécuritaires pour les tondeuses à pousser

Cette machine peut amputer les mains et les pieds et projeter des objets. Ne pas respecter les instructions de sécurité suivantes pourrait entraîner une blessure grave ou la mort.

Renseignements généraux

1. Lisez, comprenez et suivez les instructions et les avertissements dans ce guide et sur la machine, le moteur et les accessoires.
2. Permettez seulement aux utilisateurs, qui sont responsables, formés, qui connaissent bien les instructions et ayant les capacités physiques nécessaires d'utiliser la machine.
3. Ne pas utiliser la machine lorsque vous êtes sous l'influence de l'alcool ou de la drogue.

Préparation avant l'utilisation

1. Retirez tout objet de la zone d'utilisation qui pourrait être projeté ou nuire à l'utilisation de la machine.
2. Gardez tous les passants à l'écart de la zone d'utilisation, particulièrement les jeunes enfants et les animaux de compagnie. Arrêtez la machine et les accessoires si quelqu'un entre dans la zone.
3. Ne pas faire fonctionner la machine sans tout le sac à herbe, le conduit d'éjection ou autres dispositifs de sécurité en place et fonctionnant correctement. Vérifiez régulièrement les signes d'usure ou de détérioration et remplacer s'il y a lieu.
4. Portez un équipement de protection individuel approprié comme des lunettes de sécurité, une protection auditive, une protection respiratoire et des chaussures.

Utilisation

1. Utilisez seulement la machine en plein jour ou avec une bonne lumière artificielle.
2. Évitez les trous, les ornières, les bosses, les roches ou d'autres dangers cachés. Un terrain inégal peut faire renverser la machine ou faire perdre l'équilibre ou son aplomb à l'utilisateur. L'herbe haute peut cacher des obstacles. Restez derrière la poignée.
3. Ne pas mettre les mains ou les pieds près des pièces en rotation ou sous la machine. Tenez-vous éloigné de l'ouverture d'éjection en tout temps.
4. Ne pas diriger la matière rejetée vers quiconque. Évitez de rejeter la matière contre un mur ou une obstruction. La

matière peut ricocher vers l'utilisateur. Arrêtez les lames lorsque vous traversez des surfaces en gravier.

5. Ne pas tirer la tondeuse vers l'arrière à moins que ce ne soit absolument nécessaire. Regardez toujours vers le bas et derrière avant de déplacer vers l'arrière.
6. Relâchez l'anse pour arrêter le moteur et attendez jusqu'à ce que la lame s'arrête complètement et retirez la clé de sûreté et les blocs-piles avant de nettoyer la tondeuse, de retirer le sac de collecte de l'herbe, de désobstruer la protection d'éjection, lorsque vous laissez la tondeuse, que vous l'entreposez, la transportez ou avant d'effectuer tout ajustement, toute réparation ou toute inspection.
7. Si la tondeuse devait démarrer en vibrant de façon anormale, relâchez l'anse, attendez que la lame s'arrête et retirez la clé de sûreté et les blocs-piles, puis vérifiez immédiatement la cause. La vibration est généralement un avertissement de problème.

Concernant les enfants

1. Des accidents tragiques peuvent se produire si l'utilisateur ne fait pas attention à la présence des enfants. Les enfants sont souvent attirés par la machine et l'activité de tonte. Ne jamais présumer que les enfants demeureront à l'endroit où vous les avez vus la dernière fois.
2. Gardez les enfants hors de la zone d'utilisation et sous la vigilance d'un adulte responsable autre que l'utilisateur.
3. Soyez attentif et éteignez la tondeuse si un enfant entre dans la zone.

Concernant les pentes

1. Les pentes sont un facteur important lié aux accidents. L'utilisation sur les pentes nécessite une prudence accrue. Ne tondez que des pentes égales ou inférieures à 15° en utilisant le clinomètre présenté à la Fig. T. Ne tondez pas en pente si vous n'êtes pas à l'aise pour le faire.
2. Tondez en vous déplaçant en travers des pentes; jamais vers le haut ou vers le bas. Soyez prudent lorsque vous utilisez la tondeuse près de déclins, fossés ou remblais.
3. Évitez de tondre le gazon mouillé. (Si vos pieds ne sont pas d'aplomb, une glissade et une chute accidentelle sont possibles)
4. Ne pas utiliser la machine dans le cas où la traction, la direction ou la stabilité remise en question. La tondeuse pourrait glisser même si les roues sont arrêtées.
5. Évitez les démarrages ou les arrêts sur les pentes. Évitez de changer soudainement de vitesse ou de direction. Tournez lentement et graduellement.
6. Soyez très prudent lorsque vous utilisez la machine avec un sac à herbe ou un (des) autre(s) accessoire(s). Ils peuvent affecter la stabilité de la machine.

Réparer

1. Gardez la machine en bon état de fonctionnement. Remplacez les pièces usées ou endommagées.
2. Soyez prudent lorsque vous entretenez les lames. Enveloppez la (les) lame(s) ou portez des gants. Remplacez les lames endommagées. Ne pas réparer ou altérer la (les) lame(s). Maintenez tous les écrous et boulons serrés.

3. Gardez la tondeuse libre d'herbe, feuilles ou autre accumulation de débris.
4. Entretenez ou remplacez les étiquettes d'instructions et de sécurité selon les besoins.

Les éléments suivants sont des explications des symboles de danger et sécurité importants sur la tondeuse.



L'utilisateur doit lire et comprendre le manuel d'instructions.



Pour éviter le risque de blessures graves, ne tondez pas de pentes de plus de 15 °/25%.



Afin d'éviter le risque de blesser les passants, gardez toutes les personnes et tous les animaux à une distance sécuritaire de la tondeuse durant l'utilisation.



Regardez toujours vers le bas et derrière avant de vous déplacer vers l'arrière.



Ne faites pas fonctionner la machine sans le volet latéral ou le conduit d'éjection latéral en place.



Ne faites pas fonctionner la machine sans le volet latéral ou le conduit d'éjection latéral en place.



Ne faites pas fonctionner la machine sans le volet arrière en place.



Les lames en rotation peuvent causer de graves blessures. Gardez les mains et les pieds loin du châssis de la tondeuse et de l'ouverture d'éjection en tout temps. Assurez-vous toujours que la lame est arrêtée. Relâchez l'anse pour éteindre la tondeuse et attendez que la lame cesse de tourner (environ 3 secondes) et retirez la clé de sécurité et les blocs-piles avant de retirer ou de remettre en place le bac de collecte de l'herbe, de nettoyer, d'entretenir, de transporter ou de soulever la tondeuse.



Les objets frappés par la lame de la tondeuse peuvent causer une blessure grave. Restez derrière la poignée lorsque le moteur fonctionne. Assurez-vous toujours que les personnes et les animaux sont éloignés de l'éjection provenant de la tondeuse durant l'utilisation. Inspectez toujours la zone de tonte avant de tondre et retirez les objets qui pourraient être projetés par la lame. Relâchez l'anse pour éteindre la tondeuse et attendez que la lame cesse de tourner (environ 3 secondes) avant de traverser le trottoir, les routes, le patio et les entrées en gravier.

Renseignements de sécurité supplémentaires



AVERTISSEMENT : ne jamais modifier l'outil électrique ou toute pièce de celui-ci. Cela pourrait entraîner des dommages matériels ou des blessures corporelles.



AVERTISSEMENT : portez **TOUJOURS** des lunettes de sécurité. Les lunettes de tous les jours **NE SONT PAS** des lunettes de sécurité. De plus, utilisez un masque facial ou cache-poussière si l'opération de coupe est poussiéreuse. Portez une protection auditive si l'opération de tonte est bruyante. **PORTEZ TOUJOURS UN ÉQUIPEMENT DE SÉCURITÉ CERTIFIÉ** :

- Protection oculaire ANSI Z87.1 (CAN/CSA Z94.3),
- Protection auditive ANSI S12.6 (S3.19),
- Protection respiratoire NIOSH/OSHA/MSHA.



AVERTISSEMENT : certaines poussières créées par ce produit contiennent des produits chimiques reconnus dans l'État de la Californie pour causer le cancer, des anomalies congénitales ou autres effets nuisibles sur la reproduction. Certains exemples de ces produits chimiques sont :

- des composants de fertilisants
- des composants d'insecticides, d'herbicides et de pesticides
- de l'arsenic et du chrome provenant du bois de construction traité chimiquement

Pour réduire votre exposition à ces produits chimiques, porter un équipement de sécurité approuvé, comme un masque cache-poussière spécialement conçu pour filtrer les particules microscopiques.

L'étiquette sur votre outil peut comporter les symboles suivants. Les symboles et les définitions sont les suivants :

V	vols	ou CA	courant alternatif
Hz	hertz	ou CA/CC	courant alternatif
min	minutes		ou continu
ou CC	courant continu	Construction de classe II (à isolation double)
.....	Structure de classe I (mise à la terre)	n_0	vitesse à vide
.../min	par minute	n	vitesse nominale
BPM	battements par minute	PSI	livres par pouce carré
IPM	impacts par minute	borne de terre
OPM	oscillations par minute	symbole d'alertes de sécurité
Tr/min	tours par minute	rayonnement visible ne regardez pas directement la lumière
Plpm	pieds linéaires par minute	portez une protection respiratoire
CPM	coups par minute		
A	ampères		
W	watts		
Wh	Wattheures		
Ah	ampères-heures		


-  portez une protection oculaire
-  portez une protection auditive
-  lisez toute la documentation

PILES ET CHARGEURS

Le bloc-piles n'est pas entièrement chargé lorsqu'il sort de la boîte. Avant d'utiliser le bloc-piles et le chargeur, lisez attentivement les instructions de sécurité suivantes, puis suivez les procédures de chargement énoncées. Lorsque vous commandez des blocs-piles de remplacement, assurez-vous d'inclure le numéro du catalogue et la tension.

LISEZ TOUTES LES INSTRUCTIONS

Consignes de sécurité importantes pour les blocs-piles

 **AVERTISSEMENT :** lisez toutes les consignes de sécurité, les instructions et les symboles d'avertissements du bloc-piles, du chargeur et du produit. Ne pas suivre les avertissements et les instructions peut entraîner un choc électrique, un incendie et/ou des blessures graves.

- **Ne pas charger ou utiliser le bloc-piles en atmosphères explosibles comme la présence de liquides inflammables, de gaz ou de poussière.** Insérer ou retirer la pile du bloc-piles peut enflammer la poussière ou les vapeurs.
- **Ne JAMAIS forcer le bloc-piles dans le chargeur. NE PAS modifier le bloc-piles de quelque façon que ce soit dans un chargeur non compatible puisque le bloc-piles peut se briser causant une blessure corporelle.** Consultez le tableau à la fin de ce guide pour la compatibilité des blocs-piles et des chargeurs.
- **Chargez les blocs-piles seulement dans les chargeurs DEWALT.**
- **NE PAS** éclabousser ou immerger dans l'eau ou tout autre liquide.
- **NE PAS** laisser l'eau ou tout liquide entre dans le bloc-piles.
- **Ne pas entreposer ou utiliser l'outil et le bloc-piles dans des endroits où la température peut atteindre ou excéder 40 °C (104 °F) (comme les remises extérieures ou les édifices en métal durant l'été).** Pour une meilleure durée de vie, entreposez le bloc-piles dans un endroit frais et sec.
REMARQUE : Ne pas ranger les blocs-piles dans un outil avec la gâchette verrouillée. Ne jamais coller la gâchette avec du ruban adhésif en position Marche.
- **Ne pas brûler le bloc-piles même s'il est gravement endommagé ou est entièrement usé.** Le bloc-piles peut exploser au cours d'un incendie. Des vapeurs et des matières toxiques sont produites lorsque les blocs-piles au lithium-ion sont brûlés.
- **Ne pas exposer de bloc-piles ou l'outil aux flammes ou à des températures excessives.** L'exposition aux flammes ou à une température au-dessus de 130 °C (265 °F) pourrait causer une explosion.

- **Suivez les instructions de recharge et ne chargez pas le bloc-piles ou l'appareil en hors de la plage de températures indiquée dans les instructions.** Charger de façon inappropriée ou hors de températures de la plage indiquée peut endommager la pile et augmenter le risque d'incendie.
- **Si le liquide des piles entre en contact avec la peau, lavez immédiatement avec de l'eau et du savon doux.** Si le liquide vient en contact avec les yeux, rincez à l'eau courante durant 15 minutes, ou jusqu'à ce que l'irritation cesse, en gardant les yeux ouverts. Pour information de consultation médicale, l'électrolyte des piles est composé d'un mélange organique liquide et de sels de lithium.
- **Le contenu des piles peut causer une irritation respiratoire.** Faites circuler de l'air frais. Si les symptômes persistent, consultez un médecin.
- **Le liquide des piles peut être inflammable s'il est exposé aux étincelles ou aux flammes.**
- **Ne jamais tenter d'ouvrir le bloc-piles pour quelque raison que ce soit. Si le boîtier du bloc-piles est fendu ou endommagé, ne pas l'insérer dans le chargeur.** Ne pas écraser, échapper ou endommager le bloc-piles. Ne pas se servir d'un bloc-piles ou chargeur qui a subi un impact, a été échappé, renversé par un véhicule ou endommagé d'une façon ou d'une autre (par ex. perforé par un clou, frappé par un marteau, sur lequel on a marché). Les blocs-piles endommagés devraient être amenés/expédiés au centre de service pour recyclage.

Recommandations d'entreposage

Le meilleur lieu pour l'entreposage est un endroit frais et sec loin de la lumière directe du soleil et de la chaleur ou du froid excessif. Entreposez le bloc-piles entièrement chargé hors du chargeur.


Instructions de nettoyage du bloc-piles

La saleté et la graisse peuvent être retirées des surfaces extérieures du bloc-piles à l'aide d'un linge ou d'une brosse souple non métallique. Ne pas utiliser d'eau ou de solution nettoyante.

Blocs-piles du niveau de la jauge de carburant (Fig. B)

Certains blocs-piles incluent une jauge de carburant. Lorsque vous appuyez et maintenez, les voyants DEL indiqueront le niveau approximatif de charge restante. Cela n'indique pas la fonctionnalité de l'outil et peut varier selon les accessoires utilisés, la température et l'utilisation de l'utilisateur final.

Transport

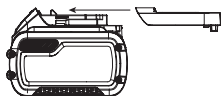
 **AVERTISSEMENT :** danger d'incendie. Ne pas entreposer ou transporter le bloc-piles de manière à ce que des objets métalliques puissent entrer en contact avec les bornes des piles exposées. Par exemple, ne pas placer le bloc-piles dans des tabliers, des poches, des coffres à outils, des boîtes d'ensembles de produits, des tiroirs, etc. avec des clous, des vis, des clés, les pièces de monnaie, les outils à main, etc.

Lorsque vous transportez des blocs-piles individuels, assurez-vous que leurs bornes sont protégées et bien isolées de tout matériel avec lequel elles pourraient entrer en contact et causer un court-circuit.

REMARQUE : Les blocs-piles Li-Ion ne doivent pas être mises dans des bagages enregistrés sur les avions et doivent être bien protégées contre les courts-circuits si elles sont dans des bagages à main.

Expédier la bloc-pile FLEXVOLT^{MC} de DEWALT

Le bloc-piles FLEXVOLT^{MC} de DEWALT a un couvercle des piles qui doit être utilisé lorsque vous expédiez le bloc-piles.



Fixez le

couvercle au bloc-piles afin qu'il soit prêt pour l'expédition. Cela convertit le bloc-piles en trois piles 20 V séparés. Les trois piles ont un taux de wattheures sur le bloc-piles étiqueté « Expédition ». Si vous l'expédiez sans le capuchon ou dans un outil, le bloc est une pile au taux de wattheures étiquetée « Utiliser ».

Exemple d'étiquette de bloc-piles :

UTILISATION : 120 Wh Expédition : 3 x 40 Wh

Dans cet exemple, le bloc-piles est trois piles de 40 wattheures chacune lorsque vous utilisez le couvercle. Sinon, le bloc-piles est 120 wattheures.

Le sceau SRPRC^{MD}

Veillez apporter vos blocs-piles usagés dans un centre de services DEWALT autorisé ou chez votre détaillant local pour les recycler. Dans certaines régions, il est illégal de mettre les blocs-piles usagés à la poubelle. Vous pouvez aussi contacter votre centre de recyclage local pour des informations sur les endroits où déposer le bloc-piles usagé. Ne pas mettre dans la collecte sélective. Pour de plus amples renseignements, visitez www.call2recycle.org ou appelez au numéro sans frais dans le sceau SRPRC^{MD}.

SRPRC^{MD} est une marque de commerce déposée de Call 2 Recycle, Inc.



Consignes de sécurité importantes pour tous les chargeurs de piles



AVERTISSEMENT : lisez toutes les consignes de sécurité, les instructions et les symboles d'avertissements du bloc-piles, du chargeur et du produit. Ne pas suivre les avertissements et les instructions peut entraîner un choc électrique, un incendie et/ou des blessures graves.

- **NE PAS tenter de charger le bloc-piles avec un chargeur autre qu'un chargeur DEWALT.** DEWALT chargeurs et les blocs-piles sont spécifiquement conçus pour fonctionner ensemble.
- **Ces chargeurs ne sont pas conçus pour toute utilisation autre que le chargement DEWALT.** Les autres types de chargement de blocs-piles peuvent causer la surchauffe et l'éclatement de ceux-ci, entraînant une

blessure corporelle, des dommages matériels, un choc électrique ou une électrocution.

- **Ne pas exposer le chargeur à la pluie ou la neige.**
- **Ne pas laisser l'eau ou tout liquide entrer dans le bloc-piles.**
- **Tirez la fiche au lieu du cordon lorsque vous débranchez le chargeur.** Cela réduira le risque d'endommager la fiche et le cordon électriques.
- **Assurez-vous de ne pas placer le cordon là où il pourrait faire trébucher les passants ou être endommagé de quelque façon que ce soit.**
- **Ne pas utiliser une rallonge à moins que ce ne soit absolument nécessaire.** L'utilisation d'une rallonge inadéquate pourrait entraîner un risque d'incendie un choc électrique ou une électrocution.
- **Lors de l'utilisation d'un chargeur à l'extérieur, gardez-le toujours au sec et utilisez une rallonge appropriée pour l'extérieur.** L'utilisation d'une rallonge appropriée pour l'extérieur réduit le risque de choc électrique.
- **Une rallonge doit avoir un calibre de fil (AWG ou calibre américain normalisé des fils) approprié pour la sécurité.** Plus le numéro de calibre du fil est petit, plus le cordon est lourd et par conséquent plus sa capacité est grande. Un cordon de taille inférieure entraînera une chute de tension de secteur ce qui causera une perte de puissance et une surchauffe. Le tableau suivant affiche la bonne taille à utiliser selon longueur totale des de toutes les rallonges branchées ensemble et l'intensité nominale de la plaque signalétique. En cas de doute, utilisez le calibre le plus lourd suivant.

Calibre minimum pour rallonges électriques

Volts		Longueur totale de la rallonge en pieds (mètres)			
120V		25 (7,6)	50 (15,2)	100 (30,5)	150 (45,7)
Courant nominal		AWG (American Wire Gauge)			
Plus de	Pas plus de				
0	6	18	16	16	14
6	10	18	16	14	12
10	12	16	16	14	12
12	16	14	12	Non recommandé	

- **Ne pas placer tout objet sur le dessus du chargeur ou placer le chargeur sur une surface molle qui pourrait bloquer les fentes de ventilation et entraîner une chaleur interne excessive.** Placez le chargeur loin de toute source de chaleur. Le chargeur est ventilé grâce aux fentes du dessus et du bas du boîtier.
- **Ne pas utiliser le chargeur avec un cordon ou une fiche endommagé.** Faites-les remplacer immédiatement.
- **Ne pas utiliser le chargeur s'il a reçu un choc violent, s'il a été échappé ou est autrement endommagé de quelque façon que ce soit.** Apportez-le dans un centre de services autorisé.
- **Ne pas démonter le chargeur; apportez-le dans un centre de services autorisé lorsqu'un entretien ou une réparation est nécessaire.** Un mauvais réassemblage

peut entraîner un danger de choc électrique, une électrocution ou un incendie.

- **Le chargeur est conçu pour fonctionner sur une alimentation électrique domestique 120 V. Ne pas essayer de l'utiliser sur toute autre tension. Cela ne s'applique pas au chargeur véhiculaire.**
- **Les matières étrangères conductrices telles, mais sans s'y limiter, les poussières de meulage, les copeaux métalliques, la laine d'acier, le papier d'aluminium ou toute accumulation de particules métalliques devraient être éloignées des ouvertures du chargeur et des fentes de ventilation.**
- **Débranchez toujours le chargeur de l'alimentation lorsqu'il n'y a aucun bloc-piles à l'intérieur.**

Charger une pile (Fig. C)

1. Branchez le chargeur dans une prise appropriée.
2. Insérez et appuyez complètement le bloc-piles. Le voyant de chargement rouge clignotera constamment pendant le chargement.
3. Le chargement est terminé lorsque le voyant rouge reste allumé en permanence. Le bloc-piles peut être laissé dans le chargeur ou retiré. Certains chargeurs nécessitent d'appuyer sur le bouton de libération du bloc-piles pour les retirer.
4. Le chargeur ne charge pas un bloc-piles défectueux, ce qui peut être indiqué par le voyant qui reste éteint. Apportez le chargeur et le bloc-piles dans un centre de services autorisé si le voyant reste éteint.

REMARQUE : Consultez l'étiquette près du voyant de chargement sur le chargeur pour les modèles de clignotement. Les vieux chargeurs peuvent avoir des renseignements supplémentaires et/ou peuvent ne pas avoir un voyant jaune. Older chargers may have additional information and/or may not have a yellow indicator light.

Délai en cas de bloc chaud ou froid

Lorsque le chargeur détecte un bloc-piles qui est trop chaud ou trop froid, il démarre automatiquement le délai pour le bloc chaud/froid, suspendant la recharge jusqu'à ce que la température du bloc-piles ait atteint une température appropriée. Le chargeur passe alors automatiquement en mode de chargement du bloc-piles. Cette fonction assure une durée de vie maximale du bloc-piles.

Un bloc-piles froid peut se charger à une vitesse plus lente qu'un bloc-piles chaud.

Le délai du bloc chaud/froid sera indiqué par le voyant rouge continuant à clignoter, mais avec le voyant jaune restant allumé. Une fois que le bloc-piles aura atteint la température appropriée, le voyant jaune s'éteindra et le chargeur reprendra la procédure de chargement.

Chargeurs DCB118 et DCB112

Les chargeurs DCB118 et DCB112 sont munis d'un ventilateur interne conçu pour refroidir le bloc-piles. Le ventilateur se mettra automatiquement en marche lorsque le bloc-piles devra être refroidi.

Système de protection électronique

Les outils Li-Ion sont conçus avec un système de protection électronique qui protégera le bloc-piles contre une surcharge, une surchauffe et une importante décharge. L'outil s'éteindra automatiquement et le bloc-piles devra être rechargé.

Remarques importantes sur le chargement

1. La durée de vie la plus longue et les meilleures performances peuvent être obtenues si les batteries sont chargées **24** lorsque la température de l'air est comprise entre 18 °C–24 °C (65 °F et 75 °F). **NE PAS charger** lorsque la batterie est inférieure à +4,5 °C (+40 °F) ou supérieure à +40 °C (+104 °F). Ceci est important et évitera d'endommager gravement la batterie.
2. Le chargeur et le bloc-piles peuvent devenir chauds au toucher durant le chargement. C'est un état normal et cela n'indique pas un problème. Pour faciliter le refroidissement du bloc-piles après l'utilisation, évitez de placer le chargeur ou le bloc-piles dans un environnement chaud comme une remise en métal ou une remorque non isolée.
3. Si le bloc-piles ne charge pas de adéquatement :
 - a. Vérifiez le fonctionnement de la prise en branchant une lampe ou un autre appareil;
 - b. Vérifiez si la prise d'alimentation est connectée à un interrupteur de lumière qui s'éteint lorsque vous éteignez les lumières;
 - c. Si les problèmes de chargement persistent, apportez l'outil, le bloc-piles et le chargeur dans votre centre de services local.
4. Vous pouvez charger un bloc partiellement utilisé au moment désiré sans effet indésirable sur le bloc-piles.

Instructions de nettoyage du chargeur



AVERTISSEMENT : danger de choc électrique.

Débranchez le chargeur de la prise CA avant de nettoyer. La saleté et la graisse peuvent être retirées des surfaces extérieures du chargeur à l'aide d'un linge ou d'une brosse souple non métallique. Ne pas utiliser d'eau ou de solution nettoyante.

Montage mural

Certains chargeurs DEWALT sont conçus pour pouvoir être installés au mur ou être placés verticalement sur une table ou une surface de travail. Pour la fixation au mur, placez le chargeur près d'une prise de courant et loin d'un coin ou d'autres obstructions qui peuvent nuire à la circulation de l'air. Utilisez la base du chargeur comme modèle pour l'emplacement des vis de montage sur le mur. Fixez solidement le chargeur à l'aide de vis pour cloison sèche (achetées séparément) d'au moins 1 po (25,4 mm) de longueur avec tête de diamètre de 0,28 à 0,35 po (7 à 9 mm) vissées dans du bois à une profondeur optimale en laissant exposée une partie de vis d'environ 7/32 po (5,5 mm). Alignez les fentes au dos du chargeur avec les vis exposées et insérez-les entièrement dans les fentes.

CONSERVEZ CES INSTRUCTIONS POUR UTILISATION ULTÉRIEURE

ASSEMBLAGE ET AJUSTEMENTS

⚠ DANGER : afin de réduire le risque de blessure corporelle grave, éteignez l'appareil et retirez la clé de sécurité et les blocs-piles avant d'effectuer tout ajustement et de retirer/installer des pièces ou des accessoires. Un démarrage accidentel provoquer une blessure.

Ajuster la hauteur de la poignée (Fig. D)

Cette tondeuse est expédiée en mode d'entreposage. Vous devrez ajuster la poignée en position de fonctionnement avant de continuer.

1. Pour déverrouiller la poignée inférieure **17** de sa position de stockage, tournez les deux molettes de verrouillage de la poignée **7** d'un quart de tour. Les molettes de verrouillage de la poignée sont situées de part et d'autre de la poignée inférieure.
2. Relevez la poignée inférieure jusqu'à la position de fonctionnement la plus confortable, en choisissant le trou inférieur ou supérieur de chaque support latéral. Veillez à ne pas pincer ou contraindre le cordon.
3. Tournez les molettes de verrouillage de la poignée d'un quart de tour, sécurisant la poignée inférieure en position.

Fixer la poignée supérieure (Fig. E)

1. Alignez les trous en bas de la poignée supérieure **4** avec les trous en haut de la poignée inférieure **17**. Veillez à ne pas pincer ou contraindre le cordon.

REMARQUE : Assurez-vous que le cordon est situé devant les deux poignées. Sinon, le cordon peut s'emmêler, empêchant de ranger facilement la tondeuse.

2. Depuis l'intérieur de la poignée inférieure, insérez le boulon de la poignée **19** à travers les deux trous de la poignée. Répétez du côté opposé.
3. Depuis l'extérieur de la poignée supérieure, serrez une molette de la poignée **18** sur chaque boulon de poignée. Veillez à ne pas pincer ou contraindre le cordon.

Sac de collecte du gazon (Fig. F)

⚠ DANGER : arrêtez l'appareil, retirez la clé de sécurité et les blocs-piles.

1. Soulevez le capot de la porte arrière **12**, retirez le bouchon de paillage **20**, et placez le sac de collecte de l'herbe **13** sur la tondeuse de sorte que les pattes du sac **21** s'insèrent dans les fentes **22** sur les surfaces plastique intérieures des supports de poignée. Abaissez ensuite le capot de la porte arrière.
2. S'il y a lieu, retirez le conduit d'éjection latéral **16** et veillez à ce que le volet latéral **15** soit complètement abaissé.

Éjection latérale (Fig. G)

⚠ DANGER : arrêtez l'appareil, retirez la clé de sécurité et les blocs-piles.

1. Pour utiliser la tondeuse en mode d'éjection latérale, retirez le sac de ramassage du gazon **13** et le bouchon de paillage **20**.

2. Vérifiez que le capot de la porte arrière **12** est fermé.
3. Soulevez le volet latéral **15** et accrochez le conduit d'éjection latéral **16** sur la tondeuse.
4. Relâchez le volet latéral et vérifiez que le conduit d'éjection latéral tient en place avant de mettre la tondeuse en marche.

Déchiquetage (Fig. H)

⚠ DANGER : arrêtez l'appareil, retirez la clé de sécurité et les blocs-piles.

1. Pour utiliser la tondeuse en mode déchiquetage, retirez le sac de collecte du gazon **13**.
2. Levez le capot de la porte arrière **12** et glissez entièrement la plaque de déchiquetage **20** dans la tondeuse.
3. Vérifiez que le capot de la porte arrière est fermé.
4. S'il y a lieu, retirez le conduit d'éjection latéral **16** et veillez à ce que le volet latéral **15** soit complètement abaissé.

Ajuster la hauteur de la tondeuse (Fig. I, J)

La hauteur de coupe est ajustée par le levier de réglage de hauteur de coupe **23**.

REMARQUE : Si vous n'êtes pas certain à quelle hauteur couper, commencez la tonne avec le levier de réglage de la hauteur de coupe positionné vers l'arrière.

Pour régler la hauteur de la coupe

1. Sortez le levier de réglage de la hauteur de coupe du cran de verrouillage **18**.
2. Déplacez le levier vers l'arrière de la tondeuse pour monter la hauteur de la coupe.
3. Déplacez le levier vers l'avant de la tondeuse pour baisser la hauteur de la coupe.
4. Poussez le levier de réglage de la hauteur de coupe dans le cran de verrouillage.

FONCTIONNEMENT

⚠ DANGER : afin de réduire le risque de blessure corporelle grave, éteignez l'appareil et retirez la clé de sécurité et les blocs-piles avant d'effectuer tout ajustement et de retirer/installer des pièces ou des accessoires. Un démarrage accidentel provoquer une blessure.

Position correcte des mains (Fig. N)

⚠ AVERTISSEMENT : pour réduire tout risque de dommages corporels graves, adopter **SYSTÉMATIQUEMENT** la position des mains illustrée.

⚠ AVERTISSEMENT : pour réduire tout risque de dommages corporels graves, maintenir fermement et **SYSTÉMATIQUEMENT** l'outil pour anticiper toute réaction soudaine de sa part.

La position correcte des mains nécessite d'avoir les deux mains sur la poignée principale **4** et l'arceau **5** ensemble lorsqu'elles ne sont pas en mode d'autopropulsion ; et les deux mains saisissant la poignée principale, la poignée d'anse et la poignée d'anse à entraînement automatique **6** ensemble lorsqu'elles sont en mode d'autopropulsion.

LISEZ LE MANUEL D'INSTRUCTION AVANT D'UTILISER VOTRE TONDEUSE

Consultez la Figure A au début de ce guide pour une liste complète des composants. Conservez ce manuel pour référence ultérieure.

! DANGER : lame tranchante en mouvement. Ne pas utiliser la tondeuse en mode déchetage si la porte arrière et l'éjection latérale ne sont pas fermées sous la tension du ressort puisque cela pourrait entraîner une blessure grave. Apportez votre tondeuse au centre de services le plus près pour des réparations.

! DANGER : ne pas utiliser la tondeuse sans que la poignée soit verrouillée en place.

! DANGER : lame tranchante en mouvement. Ne jamais utiliser la tondeuse en mode sac à moins que les crochets de suspension sur le sac de collecte de l'herbe soient bien placés sur la tondeuse et que la porte d'éjection arrière demeure bien sur le dessus du sac à herbe, au risque d'entraîner une blessure grave.

! AVERTISSEMENT : laissez la tondeuse fonctionner à son propre rythme. Ne pas surcharger.

Installer et retirer les blocs-batteries (Fig. K)

! DANGER : AVANT DE RETIRER OU D'INSTALLER LES BATTERIES, VEILLEZ À BIEN RETIRER LA CLÉ DE SÉCURITÉ, AFIN D'ÉVITER TOUT DÉMARRAGE ACCIDENTEL.

Cette tondeuse est conçue pour utiliser deux blocs-piles de capacité égale. La tondeuse ne fonctionnera pas avec un seul bloc-piles, et si vous utilisez des blocs-piles de capacité différente, le bloc-piles ayant la capacité la plus petite, lorsqu'il sera épuisé, entraînera la mise hors tension de la tondeuse et le clignotement de la DEL située devant le capot fermé du port de la batterie. La tondeuse s'éteint également et la DEL clignote si les blocs-piles atteignent une température limite élevée, ce qui peut être causé par la coupe d'un gazon lourd. Dans ce cas, laissez les blocs-piles refroidir, puis reprenez la coupe avec le pont réglé plus haut.

REMARQUE : Pour un résultat optimal, veillez à ce que les blocs-batteries **24v** soient parfaitement rechargés.

Pour installer les blocs-batteries

- Maintenez relevé le cache du port de la batterie **10** pour pouvoir accéder au port de la batterie **25**.
- Glissez un bloc-batterie dans le port de la batterie jusqu'à entendre un clic. Répétez cette opération avec le deuxième port de batterie.
REMARQUE : Veillez à ce que les blocs-batteries soient parfaitement en place et bien fixés en position avant de démarrer la tondeuse.
- Fermez le cache du port de la batterie. Assurez-vous que le cache est bien refermé avant de démarrer la tondeuse.

Pour retirer les blocs-batteries

- Maintenez relevé le cache du port de la batterie pour pouvoir accéder au port de la batterie.

- Enfoncez le bouton de libération de la batterie **26** sur le bloc-batterie et tirez les blocs-batteries hors de l'outil.

Clé de sûreté (Fig. L)

! DANGER : lame tranchante en mouvement. Afin de prévenir le démarrage accidentel ou l'utilisation non autorisée de votre tondeuse sans fil, une clé de sûreté amovible **3** a été intégrée dans la conception de votre tondeuse. La tondeuse sera complètement désactivée lorsque la clé de sûreté a été retirée de la tondeuse.

! DANGER : les lames en rotation peuvent causer de graves blessures. Afin de prévenir une blessure grave, arrêtez la tondeuse et retirez la clé de sûreté et les blocs-piles lorsque la tondeuse est laissée sans surveillance ou pendant le chargement, le nettoyage, l'entretien, le transport, le lavage ou l'entreposage de la tondeuse.

Démarrer la tondeuse (Fig. K–N)

! DANGER : lame tranchante en mouvement. Ne jamais tenter de forcer le fonctionnement du boîtier de commande et le système de clé de sûreté, au risque d'entraîner une blessure grave.

! AVERTISSEMENT : vérifiez que le système automoteur est désengagé avant de démarrer la tondeuse.

REMARQUE : La tondeuse est opérationnelle lorsque les blocs-piles et la clé de sûreté sont installés.

- Levez et maintenez le capot du logement du bloc-piles **10** pour exposer le logement du bloc-piles **25**.
- Glissez un bloc-piles dans le logement du bloc-piles jusqu'à ce que vous entendiez un clic. Recommencez ce processus pour le deuxième logement de bloc-pile.
REMARQUE : Assurez-vous que les blocs-piles sont bien placés et entièrement verrouillée en place avant de démarrer la tondeuse.
- Fermez le capot du logement des blocs-piles. Assurez-vous que le capot est complètement fermé avant de démarrer la tondeuse.
- Insérez la clé de sécurité **3** dans le boîtier de MARCHE-ARRÊT **1** jusqu'à ce qu'elle soit complètement enfoncée dans le logement. La tondeuse est désormais opérationnelle.
- Votre tondeuse est munie d'un boîtier MARCHE-ARRÊT spécial. Pour utiliser la tondeuse, poussez et maintenez le bouton MARCHE-ARRÊT **2** sur le boîtier marche-arrêt, puis tirez l'anse **5** vers la poignée principale **4**.
REMARQUE : Une fois la tondeuse démarrée, vous pouvez relâcher le bouton MARCHE-ARRÊT, mais vous devez continuer à tenir l'anse à la poignée principale pour que la tondeuse fonctionne.
- Pour ARRÊTER la tondeuse, relâchez l'anse.

! AVERTISSEMENT : ne jamais tenter de verrouiller le boîtier de commande ou l'anse lorsque l'outil est en marche.

REMARQUE : Une que la poignée aura retournée à position originale, cela activera le « Mécanisme de freinage

automatique ». Le moteur est freiné et la lame de la tondeuse s'arrête de tourner en trois secondes ou moins. Si la lame de la tondeuse tourne plus longtemps que trois secondes, cessez d'utiliser la tondeuse et faites-la réviser.

Système automoteur à vitesse variable (Fig. N)

⚠ DANGER : lame tranchante en mouvement. Ne jamais tenter de forcer le fonctionnement du boîtier de commande, du système automoteur ou le système de clé de sûreté, au risque d'entraîner une blessure grave.

Votre tondeuse est munie d'un système automoteur à vitesse variable. Ce système est dépendant du bouton MARCHE-ARRÊT de la lame. Il ne peut être utilisé que lorsque la lame tourne.

1. Suivez les instructions de la section **Démarrer la tondeuse**.
2. Pour activer le système automoteur, tenez l'anse **5** en place contre la poignée principale **4** d'une main.
3. Tirez l'anse du système automoteur **6** vers la poignée principale de l'autre main.
4. Vous pouvez tenir uniquement le levier de vitesse ou tenir simultanément la poignée et le levier de vitesse.
5. Pour éteindre le système automoteur, relâchez l'anse du système automoteur.

REMARQUE : Lorsque vous mettez le système automoteur en marche, par exemple à la fin d'une rangée, les roues peuvent se verrouiller temporairement si vous tirez la tondeuse vers l'arrière. Poussez juste légèrement vers l'avant, puis déplacez la tondeuse selon les besoins.

REMARQUE : Durant la coupe, il peut parfois être plus facile de contourner un objet, comme un arbre ou des plantes, avec le système automoteur éteint. La tondeuse peut facilement être utilisée avec le système automoteur arrêté.

Molette de réglage de la vitesse variable (Fig. N)

Votre tondeuse est équipée d'une molette de réglage de vitesse variable **27**. Ce système ajuste la vitesse ou la lenteur avec laquelle le système d'entraînement automatique propulse la tondeuse **28**.

1. Pour augmenter la vitesse du système d'auto-entraînement, faites tourner la roue de réglage de vitesse variable dans le sens indiqué par la flèche située à côté de la roue de réglage de vitesse variable.
2. Pour réduire la vitesse du système d'auto-entraînement, faites tourner la roue de réglage de vitesse variable) dans le sens opposé indiqué par la flèche située à côté de la roue de réglage de vitesse variable.

Sollicitation excessive de la tondeuse

Afin d'éviter l'endommagement dû à une sollicitation excessive de la tondeuse, ne tentez pas de tondre trop d'herbe à la fois. Ralentissez la cadence de la tonte ou augmentez la hauteur de coupe.

Conseils de tonte (Fig. A)



AVERTISSEMENT : INSPECTEZ TOUJOURS LA ZONE OÙ LA TONDEUSE DOIT ÊTRE UTILISÉE ET RETIREZ TOUTES LES PIERRES, TOUTS LES BÂTONS, FILS, OS ET AUTRES DÉBRIS QUI PEUVENT ÊTRE PROJETÉS PAR LA LAME EN ROTATION.



AVERTISSEMENT : tondez en vous déplaçant en transversalement par rapport aux pentes, jamais vers le haut ou vers le bas. Soyez très prudent lorsque vous changez de direction sur les pentes. Ne pas tondre sur des pentes très raides (supérieures à 15 °). Maintenez toujours un bon aplomb.

- Relâchez l'anse **5** pour éteindre la tondeuse lorsque vous croisez une zone en gravier (les cailloux peuvent être projetés par la lame).
- Réglez la tondeuse à la hauteur la plus haute lorsque vous tondez sur un sol accidenté ou des herbes hautes. Retirer trop d'herbes à la fois peut entraîner une surcharge et un arrêt du moteur.
- Si un sac de collecte du gazon **13** est utilisé durant la saison de pousse rapide, le gazon peut avoir tendance à obstruer l'ouverture d'éjection. Relâchez l'anse pour éteindre la tondeuse, retirez la clé de sûreté **3** et les blocs-piles **24**. Retirez le sac et secouez l'herbe vers l'extrémité arrière du sac. Nettoyez aussi l'herbe ou tout débris qui peut être entassé autour de l'ouverture d'éjection. Remplacez le sac à herbe.
- Si la tondeuse devait démarrer en vibrant de façon anormale, relâchez l'anse pour éteindre la tondeuse, retirez la clé de sûreté et les blocs-piles. Vérifiez immédiatement la cause. La vibration est un avertissement de problème. Ne pas utiliser la tondeuse jusqu'à ce qu'une vérification de courtoisie ait été effectuée.
- Pour de meilleurs résultats de coupe, gardez la lame aiguisée et équilibrée.
- Inspectez et nettoyez soigneusement la tondeuse après chaque utilisation car un châssis avec de l'herbe durcie réduit la performance.
- Retirez toujours l'anse pour éteindre la tondeuse, retirez la clé de sûreté et les blocs-piles lorsque vous la laissez sans surveillance, même pour une courte période.

Les suggestions suivantes vous aideront à obtenir une durée de fonctionnement optimale de votre tondeuse sans fil :

- Ralentissez dans les zones où l'herbe est particulièrement longue ou épaisse.
- Évitez de tondre si l'herbe est mouillée en raison de la pluie ou de la rosée.
- Coupez souvent votre gazon, particulièrement durant les périodes de forte croissance.

REMARQUE : Il est recommandé de recharger les blocs-piles après utilisation pour prolonger leur durée. Les chargements fréquents ne nuisent pas à vos piles et assurent que les blocs-piles sont entièrement chargés et prêts pour l'utilisation suivante. Entreposer le bloc-pile sans qu'il soit complètement chargé raccourcit sa durée de service.

Entreposage (Fig. A)

⚠ DANGER : les lames en rotation peuvent causer de graves blessures. Relâchez l'anse pour éteindre la tondeuse, retirez la clé de sûreté et retirez les blocs-piles avant de soulever, de transporter ou d'entreposer la tondeuse. Entreposez dans un endroit sec.

⚠ ATTENTION : point de pincement. Pour éviter d'être pincé, gardez vos doigts loin de la zone autour des supports de poignées lorsque vous rabattez les poignées.

La poignée de la tondeuse peut être facilement rabattue pour un entreposage rapide et pratique.

1. Sur la poignée inférieure, tournez les molettes de verrouillage de la poignée 7 d'un quart de tour.
2. Tournez la poignée vers l'avant de la tondeuse. Veillez à ne pas pincer ou contraindre le cordon.
3. Tournez les molettes de verrouillage de la poignée 7 d'un quart de tour pour verrouiller la poignée en position de stockage.
4. La tondeuse peut être entreposée debout, avec le sac de collecte retiré, ou à plat sur ses roues.

ENTRETIEN

⚠ DANGER : afin de réduire le risque des blessures corporelles graves, éteignez l'outil et retirez la clé de sûreté et retirez le bloc-piles avant d'effectuer tout ajustement ou de retirer/installer des pièces ou des accessoires. Un démarrage accidentel peut causer des blessures.

Retirer et installer la lame (Fig. 0–Q)

⚠ DANGER : RISQUE DE BLESSURE. LORSQUE VOUS RÉASSEMBLEZ LE SYSTÈME DE LAME, ASSUREZ-VOUS QUE CHAQUE PIÈCE EST RÉINSTALLÉE CORRECTEMENT, COMME DÉCRIT CI-DESSOUS. UN ASSEMBLAGE INAPPROPRIÉ DE LA LAME OU D'AUTRES PIÈCES DU SYSTÈME DE LAME PEUT CAUSER UNE BLESSURE GRAVE.

⚠ DANGER : afin de réduire le risque de blessure corporelle, éteignez l'outil, retirez la clé de sûreté et les blocs-piles avant d'effectuer tout ajustement ou de retirer/installer des pièces ou des accessoires. Un démarrage accidentel peut causer des blessures.

Les lames de remplacement sont disponibles au centre de services agréé le plus proche. Cette tondeuse nécessite des lames de remplacement DWO1DT233.

1. Coupez une pièce de bois de 2 x 4 pouces 29 (environ 2 pieds de long) (610 mm) pour empêcher la lame de tourner lorsque vous retirez l'écrou de la lame 30.

⚠ AVERTISSEMENT : utilisez des gants et une protection oculaire appropriée. Tournez la tondeuse sur le côté. Faites attention aux bords aiguisés de la lame.

2. Placez le bois et dévissez le boulon de la lame dans le sens contraire aux aiguilles d'une montre avec une clé de 16 mm (5/8") 31 (non inclus) comme illustré à la Fig. O
3. Retirez le boulon de la lame, la plaque à ressort 32 et la lame 33 comme illustré à la Fig. P. Examinez toutes

les pièces en termes de dommages et remplacez-les au besoin.

4. Installez une lame aiguisée ou une lame neuve sur l'épaulement de l'adaptateur de lame 34 comme illustré à la Fig. P. La lame comporte une découpe en aile qui doit correspondre à la même forme et s'y engager sur l'adaptateur de lame.

REMARQUE : lorsque vous remettez une lame aiguisée ou neuve sur l'épaulement de l'adaptateur de lame, vérifiez que le bas de la lame marqué BOTTOM se trouve face au sol lorsque la tondeuse est remise en position verticale normale.

5. Installez la plaque à ressort sur la lame. Veillez à aligner les bossages sur la plaque à ressort avec les détentés dans la lame, en tournant la lame et la lame à ressort ensemble si nécessaire.
6. Placez une pièce de bois pour empêcher la lame de tourner comme illustré à la Fig. Q. Installez le boulon de lame et serrez fermement la lame avec une clé de 16 mm (5/8").

Aiguiser la lame

GARDEZ LA LAME AIGUISÉE POUR UNE MEILLEURE PERFORMANCE DE LA TONDEUSE. UNE LAME ÉMOUSSÉE NE COUPE PAS L'HERBE NETTEMENT.

⚠ AVERTISSEMENT : utilisez des gants et une protection oculaire appropriée pendant que vous retirez, aiguisiez et installez la lame. Assurez-vous que la clé de sûreté et le bloc-piles sont retirés.

Aiguiser la lame deux fois par saison de tonte est habituellement suffisant en circonstances normales. Le sable cause l'érouissage rapide de la lame. Si le gazon a un sol sablonneux, aiguiser plus souvent peut être nécessaire.

REPLACEZ IMMÉDIATEMENT UNE LAME PLIÉE OU ENDOMMAGÉE.

Lorsque vous aiguisiez la lame

- Assurez-vous que la lame reste équilibrée.
- Aiguiser la lame dans l'angle de coupe original.
- Aiguiser les bords coupants aux deux extrémités de la lame, retirez une quantité égale de matière aux deux extrémités.

Pour aiguiser la lame dans un étau (Fig. R)

1. Assurez-vous que l'anse est relâchée, que la lame est arrêtée et que la clé de sûreté et le bloc-piles sont retirés avant de retirer la lame.
2. Retirez la lame de la tondeuse. Consultez les instructions pour **Retirer et installer la lame**.
3. Sécurisez la lame 33 dans un étau 35.
4. Portez une protection oculaire et des gants appropriés et faites attention de ne pas vous couper.
5. Limez soigneusement les bords coupants de la lame avec une lime à dents fines 36 (non inclus) ou une pierre à aiguiser (non inclus), en maintenant l'angle du bord de coupe original.

- Vérifiez l'équilibre de la lame. Consultez les instructions pour **Équilibrer la lame**.
- Remplacez la lame sur la tondeuse et vissez solidement.

Équilibrer la lame (Fig. S)

Contrôlez l'équilibrage de la lame **33** en plaçant le trou central de la lame sur un clou ou un tournevis rond **37**, fixé à l'horizontale dans un étau **35**. Si l'une des extrémités de la lame tourne vers le bas, limez le long du tranchant de cette extrémité tombante. La lame est correctement équilibrée si aucun des côtés ne tombe.

Nettoyage (Fig. A)

AVERTISSEMENT : soufflez la saleté et la poussière de tous les événements avec de l'air sec et propre au moins une fois par semaine. Afin de réduire le risque de blessure aux yeux, utilisez toujours une protection oculaire approuvée ANSI Z87.1 (CAN/CSA Z94.3) et une protection respiratoire approuvée NIOSH/OSHA/MSHA lorsque vous effectuez ceci.

AVERTISSEMENT : ne jamais utiliser de solvant ou d'autres produits chimiques forts pour le nettoyage des pièces non métalliques de l'outil. Ces produits chimiques peuvent affaiblir les matériaux plastiques des pièces. Utilisez un linge trempé seulement dans de l'eau et du savon doux. Ne jamais laisser de liquide entrer à l'intérieur de l'outil, ne jamais immerger toute partie de l'outil dans un liquide.

Relâchez l'anse **5** pour éteindre la tondeuse, laissez la lame s'arrêter et retirez les blocs-piles et la clé de sûreté. Nettoyez tout gazon coupé qui peut s'être accumulé sur le dessous du châssis. Ne vaporisez pas d'eau ou d'autres liquides. Après plusieurs utilisations, vérifiez toutes les fixations exposées sont bien serrées.

Corrosion (Fig. A)

Les fertilisants et d'autres produits chimiques pour le jardin contiennent des agents qui accélèrent grandement la corrosion des métaux. Si vous tondez dans des zones où des fertilisants et des produits chimiques ont été utilisés, la tondeuse doit être immédiatement nettoyée après comme ce qui suit :

Relâchez l'anse **5** pour éteindre la tondeuse et retirez le bloc-piles et la clé de sûreté. Essuyez toutes les pièces exposées avec un linge humide.

ATTENTION : ne pas verser ou vaporiser de l'eau sur la tondeuse pour tenter de la nettoyer. Ne pas entreposer l'outil sur ou près de fertilisants ou de produits chimiques. Un tel entreposage peut causer de la corrosion.

Respecte les exigences de sécurité de la CPSC

Les tondeuses DEWALT sont conformes aux normes de sécurité de l'American National Standards Institute et de la Consumer Product Safety Commission aux États-Unis. La lame tourne lorsque le moteur de la lame est en marche.

Accessoires

AVERTISSEMENT : les accessoires autres que DEWALT n'ayant pas été testés avec ce produit, leur utilisation avec cet outil peut s'avérer dangereuse. Pour réduire le risque de blessure, seuls les accessoires recommandés par DEWALT doivent être utilisés avec ce produit.

Les accessoires recommandés pour utilisation avec cet outil sont disponibles à un coût supplémentaire chez votre détaillant local ou dans un centre de services autorisé. Si vous avez besoin d'aide pour localiser un accessoire, contactez DEWALT appelez au 1-800-4-DEWALT (**1-800-433-9258**) ou consultez notre site web : www.dewalt.com.

Réparations

Le chargeur et le bloc-piles ne sont pas réparables. Le chargeur ou le bloc-piles ne comportent aucune pièce réparabile.

AVERTISSEMENT : pour assurer la SÉCURITÉ et la FIABILITÉ du produit, les réparations, l'entretien et les réglages doivent être réalisés (cela comprend l'inspection et le remplacement du balai, le cas échéant) par un centre de réparation en usine DEWALT ou un centre de réparation agréé DEWALT. Toujours utiliser des pièces de rechange identiques.

Registre en ligne

Merci pour votre achat. Enregistrez dès maintenant votre produit :

- RÉPARATIONS SOUS GARANTIE** : cette carte remplie vous permettra de vous prévaloir du service de réparations sous garantie de façon plus efficace dans le cas d'un problème avec le produit.
- CONFIRMATION DE PROPRIÉTÉ** : en cas de perte provoquée par un incendie, une inondation ou un vol, cette preuve de propriété vous servira de preuve auprès de votre compagnie d'assurances.
- SÉCURITÉ** : l'enregistrement de votre produit nous permettra de communiquer avec vous dans l'éventualité peu probable de l'envoi d'un avis de sécurité régi par la loi fédérale américaine de la protection des consommateurs.
- Registre en ligne à www.dewalt.com.

Garantie limitée de trois ans

DEWALT réparera ou remplacera sans frais tout appareil défectueux pour cause de défaut de matériau ou de main-d'œuvre sur une période de trois ans à partir de la date d'achat de l'outil (deux ans pour les bloc-piles). Cette garantie ne couvre pas les pièces en panne pour cause d'abus ou d'usure normale de l'outil. Pour plus de détails au sujet de la couverture de la garantie et l'information de réparation sous garantie, visitez www.dewalt.com ou composez le 1-800-4-DEWALT (**1-800-433-9258**). Cette garantie ne s'applique pas aux accessoires ou dommages causés par des réparations effectuées ou tentées par d'autres. CETTE GARANTIE REMPLACE TOUTES LES AUTRES, INCLUANT LES GARANTIES IMPLICITES DE LA QUALITÉ MARCHANDE ET L'APTITUDE POUR UN BUT PARTICULIER, ET EXCLUT TOUS

LES DOMMAGES ACCIDENTELS OU CONSÉCUTIFS. Certaines provinces ne permettent pas de limitation sur la durée de la garantie implicite ou l'exclusion ou la limitation de dommages indirects, alors ces limitations peuvent ne pas s'appliquer à vous. Cette garantie vous donne des droits légaux particuliers et vous pouvez avoir d'autres droits qui varient selon les états ou les provinces.

En plus de la présente garantie, les outils DeWALT sont couverts par notre

CONTRAT D'ENTRETIEN GRATUIT D'UN AN

DeWALT entretiendra l'outil et remplacera les pièces usées au cours d'une utilisation normale et ce, gratuitement, pendant une période d'un an à compter de la date d'achat.

CONTRAT D'ENTRETIEN GRATUIT DE DEUX ANS SUR LES BLOC-PILES DeWALT

DC9071, DC9091, DC9096, DC9182, DC9280, DC9360,
DCB120, DCB122, DCB124, DCB127, DCB201, DCB203BT,
DCB207, DCB361

CONTRAT D'ENTRETIEN GRATUIT DE TROIS ANS SUR LES BLOC-PILES DeWALT

DCB200, DCB203, DCB204, DCB204BT, DCB205, DCB205BT,
DCB206, DCB208, DCB230, DCB240, DCB606, DCB609,
DCB612, DCB615

REMARQUE : la garantie de se produit sera annulée si le bloc-piles a été altéré de quelque façon que ce soit. DeWALT ne peut être tenu responsable de tout dommage corporel causé par l'altération du produit et pourra poursuivre toute fraude en matière de garantie dans toute l'étendue permise par la loi.

GARANTIE DE REMBOURSEMENT DE 90 JOURS

Si l'acheteur n'est pas entièrement satisfait, pour quelque raison que ce soit, du rendement de l'outil électrique ou de la cloueuse DeWALT, celui-ci peut le retourner, accompagné d'un reçu, dans les 90 jours à compter de la date d'achat pour obtenir un remboursement intégral, sans aucun problème.

AMÉRIQUE LATINE : cette garantie ne s'applique aux produits vendus en Amérique latine. Pour ceux-ci, veuillez consulter les informations relatives à la garantie spécifique présente dans l'emballage, appeler l'entreprise locale ou consulter le site Web pour les informations relatives à cette garantie.

REMPLACEMENT GRATUIT DES ÉTIQUETTES

D'AVERTISSEMENT : si les étiquettes d'avertissement deviennent illisibles ou sont manquantes, composer le 1-800-4-DeWALT (1-800-433-9258) pour en obtenir le remplacement gratuit.



ADVERTENCIA: *Lea todas las advertencias de seguridad e instrucciones. El incumplimiento de las advertencias e instrucciones puede provocar descargas eléctricas, incendios o lesiones graves.*



ADVERTENCIA: *Para reducir el riesgo de lesiones, lea el manual de instrucciones.*

Uso Pretendido

Esta podadora ha sido diseñada para aplicaciones profesionales de poda de césped.

NO use bajo condiciones húmedas o en presencia de líquidos o gases inflamables.

Esta podadora es un aparato profesional para el cuidado del césped.

NO permita que niños estén en contacto con la herramienta. Se requiere supervisión cuando operadores sin experiencia operen esta herramienta.

Definiciones: Símbolos y Palabras de Alerta de Seguridad

Este manual de instrucciones utiliza los siguientes símbolos y palabras de alerta de seguridad para alertarle de situaciones peligrosas y del riesgo de lesiones corporales o daños materiales.



PELIGRO: *Indica una situación de peligro inminente que, si no se evita, provocará la muerte o lesiones graves.*



ADVERTENCIA: *Indica una situación de peligro potencial que, si no se evita, podría provocar la muerte o lesiones graves.*



ATENCIÓN: *Indica una situación de peligro potencial que, si no se evita, posiblemente provocaría lesiones leves o moderadas.*



(Utilizado sin palabras) indica un mensaje de seguridad relacionado.

AVISO: *Se refiere a una práctica no relacionada a lesiones corporales que de no evitarse puede resultar en daños a la propiedad.*

ADVERTENCIAS GENERALES DE SEGURIDAD PARA HERRAMIENTAS ELÉCTRICAS



ADVERTENCIA: *Lea todas las advertencias de seguridad, instrucciones, ilustraciones y especificaciones incluidas con esta herramienta eléctrica. La falla en seguir todas las instrucciones siguientes puede resultar en descarga eléctrica, incendio y/o lesiones serias.*

CONSERVE TODAS LAS ADVERTENCIAS E INSTRUCCIONES PARA FUTURAS CONSULTAS

El término "herramienta eléctrica" incluido en las advertencias hace referencia a las herramientas eléctricas operadas con corriente (con cable eléctrico) o a las herramientas eléctricas operadas con baterías (inalámbricas).

1) Seguridad en el Área de Trabajo

- Mantenga el área de trabajo limpia y bien iluminada.** *Las áreas abarrotadas y oscuras propician accidentes.*
- No opere las herramientas eléctricas en atmósferas explosivas, como ambientes donde haya polvo, gases o líquidos inflamables.** *Las herramientas eléctricas originan chispas que pueden encender el polvo o los vapores.*
- Mantenga alejados a los niños y a los espectadores de la herramienta eléctrica en funcionamiento.** *Las distracciones pueden provocar la pérdida de control.*

2) Seguridad Eléctrica

- Los enchufes de la herramienta eléctrica deben adaptarse al tomacorriente. Nunca modifique el enchufe de ninguna manera. No utilice ningún enchufe adaptador con herramientas eléctricas con conexión a tierra.** *Los enchufes no modificados y que se adaptan a los tomacorrientes reducirán el riesgo de descarga eléctrica.*
- Evite el contacto corporal con superficies con descargas a tierra como, por ejemplo, tuberías, radiadores, cocinas eléctricas y refrigeradores.** *Existe mayor riesgo de descarga eléctrica si su cuerpo está puesto a tierra.*
- No exponga las herramientas eléctricas a la lluvia o a condiciones de humedad.** *Si entra agua a una herramienta eléctrica, aumentará el riesgo de descarga eléctrica.*
- No maltrate el cable. Nunca utilice el cable para transportar, tirar o desenchufar la herramienta eléctrica. Mantenga el cable alejado del calor, el aceite, los bordes filosos y las piezas móviles.** *Los cables dañados o enredados aumentan el riesgo de descarga eléctrica.*
- Al operar una herramienta eléctrica en el exterior, utilice un cable prolongador adecuado para tal uso.** *Utilice un cable adecuado para uso en exteriores a fin de reducir el riesgo de descarga eléctrica.*
- Si el uso de una herramienta eléctrica en un lugar húmedo es imposible de evitar, utilice un suministro protegido con un interruptor de circuito por falla a tierra (GFCI).** *El uso de un GFCI reduce el riesgo de descargas eléctricas.*

3) Seguridad Personal

- Permanezca alerta, controle lo que está haciendo y utilice el sentido común cuando emplee una herramienta eléctrica. No utilice una herramienta eléctrica si está cansado o bajo el efecto de drogas, alcohol o medicamentos.** *Un momento de descuido mientras se opera una herramienta eléctrica puede provocar lesiones personales graves.*
- Utilice equipos de protección personal. Siempre utilice protección para los ojos.** *En las condiciones adecuadas, el uso de equipos de protección,*

como máscaras para polvo, calzado de seguridad antideslizante, cascos o protección auditiva, reducirá las lesiones personales.

- c) **Evite el encendido por accidente. Asegúrese de que el interruptor esté en la posición de apagado antes de conectarlo a la fuente de energía o paquete de baterías, o antes de levantar o transportar la herramienta.** Transportar herramientas eléctricas con el dedo apoyado en el interruptor o enchufar herramientas eléctricas con el interruptor en la posición de encendido puede propiciar accidentes.
- d) **Retire la clavija de ajuste o la llave de tuercas antes de encender la herramienta eléctrica.** Una llave de tuercas o una clavija de ajuste que quede conectada a una pieza giratoria de la herramienta eléctrica puede provocar lesiones personales.
- e) **No se estire. Conserve el equilibrio y párese adecuadamente en todo momento.** Esto permite un mejor control de la herramienta eléctrica en situaciones inesperadas.
- f) **Use la vestimenta adecuada. No use ropas holgadas ni joyas. Mantenga el cabello, la ropa y los guantes alejados de las piezas en movimiento.** Las ropas holgadas, las joyas o el cabello largo pueden quedar atrapados en las piezas en movimiento.
- g) **Si se suministran dispositivos para la conexión de accesorios con fines de recolección y extracción de polvo, asegúrese de que estén conectados y que se utilicen correctamente.** El uso de dispositivos de recolección de polvo puede reducir los peligros relacionados con el polvo.
- h) **No permita que la familiaridad obtenida a partir del uso frecuente de herramientas le permitan volverse descuidado e ignorar los principios de seguridad de la herramienta.** Una acción descuidada puede causar lesiones severas en una fracción de segundo.

4) Uso y Mantenimiento de la Herramienta Eléctrica

- a) **No fuerce la herramienta eléctrica. Utilice la herramienta eléctrica correcta para el trabajo que realizará.** Si se la utiliza a la velocidad para la que fue diseñada, la herramienta eléctrica correcta permite trabajar mejor y de manera más segura.
- b) **No utilice la herramienta eléctrica si no puede encenderla o apagarla con el interruptor.** Toda herramienta eléctrica que no pueda ser controlada mediante el interruptor es peligrosa y debe repararse.
- c) **Desconecte el enchufe de la fuente de alimentación y/o retire la batería, o paquete si es desmontable, de la herramienta eléctrica antes de realizar cualquier ajuste, cambiar accesorios o almacenar herramientas eléctricas.** Estas medidas de seguridad preventivas reducen el riesgo de encender la herramienta eléctrica en forma accidental.

- d) **Guarde la herramienta eléctrica que no esté en uso fuera del alcance de los niños y no permita que otras personas no familiarizadas con ella o con estas instrucciones operen la herramienta.** Las herramientas eléctricas son peligrosas si son operadas por usuarios no capacitados.
- e) **Dé mantenimiento a las herramientas eléctricas y accesorios. Revise que no haya piezas en movimiento mal alineadas o trabadas, piezas rotas o cualquier otra situación que pueda afectar el funcionamiento de la herramienta eléctrica. Si encuentra daños, haga reparar la herramienta eléctrica antes de utilizarla.** Se producen muchos accidentes a causa de las herramientas eléctricas que carecen de un mantenimiento adecuado.
- f) **Mantenga las herramientas de corte afiladas y limpias.** Las herramientas de corte con mantenimiento adecuado y con los bordes de corte afilados son menos propensas a trabarse y son más fáciles de controlar.
- g) **Utilice la herramienta eléctrica, los accesorios y las brocas de la herramienta, etc. de acuerdo con estas instrucciones y teniendo en cuenta las condiciones de trabajo y el trabajo que debe realizarse.** El uso de la herramienta eléctrica para operaciones diferentes de aquellas para las que fue diseñada podría originar una situación peligrosa.
- h) **Mantenga las manijas y superficies de sujeción secas, limpias y libres de aceite y grasa.** Las manijas y superficies de sujeción resbalosas no permiten el manejo y control seguros de la herramienta en situaciones inesperadas.

5) Uso y Mantenimiento de la Herramienta con Baterías

- a) **Recargue solamente con el cargador especificado por el fabricante.** Un cargador adecuado para un tipo de paquete de baterías puede originar riesgo de incendio si se utiliza con otro paquete de baterías.
- b) **Utilice herramientas eléctricas sólo con paquetes de baterías específicamente diseñados.** El uso de cualquier otro paquete de baterías puede producir riesgo de incendio y lesiones.
- c) **Cuando no utilice el paquete de baterías, manténgalo lejos de otros objetos metálicos como sujetapapeles, monedas, llaves, clavos, tornillos u otros objetos metálicos pequeños que puedan realizar una conexión desde un terminal al otro.** Los cortocircuitos en los terminales de la batería pueden provocar quemaduras o incendio.
- d) **En condiciones abusivas, el líquido puede ser expulsado de la batería. Evite su contacto. Si entra en contacto accidentalmente, enjuague con agua. Si el líquido entra en contacto con los ojos, busque atención médica.** El líquido expulsado de la batería puede provocar irritación o quemaduras.
- e) **No use un paquete de batería o herramienta que estén dañados o modificados.** Las baterías dañadas o modificadas pueden presentar un comportamiento

impredecible que resulte en incendios, explosión o riesgo de lesiones.”

- f) **No exponga un paquete de batería o una herramienta a fuego o temperatura excesiva.** La exposición a fuego o temperaturas mayores a 130 °C (265 °F) pueden causar una explosión.”
- g) **Siga todas las instrucciones de carga y no cargue el paquete de batería o la herramienta fuera del rango de temperatura especificado en las instrucciones.** Cargar inadecuadamente o en una temperatura fuera del rango de temperatura especificado puede dañar la batería e incrementar el riesgo de incendio.

6) Mantenimiento

- a) **Solicite a una persona calificada en reparaciones que realice el mantenimiento de su herramienta eléctrica y que sólo utilice piezas de repuesto idénticas.** Esto garantizará la seguridad de la herramienta eléctrica.
- b) **Nunca dé servicio a paquetes de batería dañados.** El servicio de paquetes de batería sólo debe ser realizado por el fabricante o proveedores de servicio autorizados.

ADVERTENCIAS E INSTRUCCIONES DE SEGURIDAD IMPORTANTES



ADVERTENCIA: Para reducir el riesgo de lesiones:

- Antes de cualquier uso, asegúrese que cualquiera que use esta herramienta lea y entienda todas las instrucciones de seguridad y otra información contenida en este manual.
- Conserve estas instrucciones y revíselas con frecuencia antes del uso y al instruir a otros.



ADVERTENCIA: Cuando use podadoras de batería, siempre se deben seguir las precauciones de seguridad básica para reducir el riesgo de incendio, descarga eléctrica, y lesiones personales, incluyendo las siguientes:

LEA TODAS LAS INSTRUCCIONES

ADVERTENCIAS GENERALES DE SEGURIDAD E INSTRUCCIONES PARA TODAS LAS PODADORAS DE CÉSPED



PELIGRO:

- **Esta herramienta puede ser peligrosa.** Siga todas las advertencias e instrucciones de seguridad de este manual. El operador es responsable de seguir las advertencias e instrucciones en este manual y en la unidad. Restrinja el uso de esta podadora a las personas que lean, entiendan y sigan las advertencias e instrucciones de este manual y de la unidad.
- **Evite ambientes peligrosos** – no use podadoras en ubicaciones mojadas o húmedas.
- **No use en lluvia.**

- **Mantenga a los niños alejados** – Todos los visitantes deben mantener una distancia segura del área de trabajo.
- **Use vestimenta apropiada** – No use ropa holgada o joyería. Pueden quedar atrapados en las partes móviles. Se recomienda el uso de guantes de hule y calzado cuando trabaje en exteriores.
- **Use Gafas de seguridad** – También use una careta o máscara de polvo si la operación produce polvo.
- **Utilice el aparato correcto** – No utilice la podadora para ningún trabajo excepto para el que está diseñada.
- **Revise respecto a partes dañadas.** Antes de utilizar la podadora, se debe revisar cuidadosamente un protector u otra parte que esté dañada para determinar si funcionará correctamente y cumplirá su función. Revise la alineación de las partes móviles, la unión de las partes móviles, la ruptura de partes, el montaje y cualquier otra condición que pueda afectar su operación. Una protección u otra parte que esté dañada se debe reparar o reemplazar apropiadamente por un centro de servicio autorizado, a menos que se indique lo contrario en otra parte de este manual.
- **Reparaciones y servicio.** Las reparaciones, el mantenimiento y los ajustes no especificados en este manual deben ser realizados por los centros de servicio autorizados u otras organizaciones de servicio calificadas, siempre utilizando partes de repuesto idénticas.
- **No fuerce la podadora** – Hará el trabajo mejor y con más seguridad en la velocidad para la que está diseñada.
- **No se estire en exceso** – Mantenga la pisada y equilibrio adecuados en todo momento.
- **Permanezca alerta** – Observe lo que está haciendo. Utilice el sentido común. No opere la podadora de césped cuando esté cansado.
- **Desconecte la podadora de césped** – Retire la llave de seguridad y los paquetes de batería de la podadora cuando no esté en uso, antes de dar servicio, cuando cambie accesorios tales como cuchillas, y similares.
- **Guarde la podadora sin uso en interiores** – Cuando no se usa, la podadora de césped debe almacenarse en un lugar seco y cerrado, fuera del alcance de los niños. Retire la llave de seguridad y los paquetes de batería.
- **Mantenga la podadora con cuidado** – Mantenga los bordes de corte afilados y limpios para un mejor desempeño y más seguro. Siga las instrucciones para lubricar y cambiar los accesorios. Mantenga las manijas secas, limpias y libres de aceite y grasa.
- **Mantenga las protecciones en su lugar y en buen estado de operación.**
- **Mantenga las cuchillas afiladas.**
- **Mantenga las manos y los pies lejos del área de corte.**
- **Los objetos golpeados por la cuchilla de la podadora pueden causar lesiones graves a las personas.** El césped siempre debe revisarse cuidadosamente y despejarse de todos los objetos antes de cada corte.
- **Si la podadora golpea un objeto extraño, siga estos pasos:**

1. *Detenga la podadora. Libere la manija de travesaño.*
 2. *Retire los paquetes de baterías y la llave de seguridad.*
 3. *Revise respecto a daño.*
 4. *Repare cualquier daño antes de reiniciar y operar la podadora.*
- **Use cuchillas de repuesto idénticas solamente.**

GUARDE ESTAS INSTRUCCIONES

Importante

Prácticas seguras para podadoras controladas por peatones

Esta máquina es capaz de amputar manos y pies y arrojar objetos. La falla en observar las siguientes instrucciones de seguridad puede provocar lesiones graves o la muerte.

Información General

1. *Lea, comprenda y siga las instrucciones y advertencias de este manual y de la máquina, el motor y los accesorios.*
2. *Sólo permita operadores, responsables, entrenados, familiarizados con las instrucciones y físicamente capaces de operar la máquina.*
3. *No opere la máquina bajo la influencia de alcohol o drogas.*

Preparación Antes de Operación

1. *Despeje el área de operación de cualquier objeto que pueda ser arrojado o interferir con la operación de la máquina.*
2. *Mantenga el área de operación libre de transeúntes, particularmente niños pequeños y mascotas. Detenga la máquina y los accesorios si alguien entra al área.*
3. *No opere la máquina sin el recolector de césped completo, el conducto de descarga u otros dispositivos de seguridad en su lugar y funcionando correctamente. Verifique frecuentemente si hay señales de desgaste o deterioro y reemplace según sea necesario.*
4. *Use el equipo de protección personal adecuado, como gafas de seguridad, protección auditiva, protección respiratoria y calzado.*

Operación

1. *Sólo use la máquina durante el día o con buena iluminación artificial.*
2. *Evite agujeros, surcos, baches, rocas u otros peligros ocultos. Un terreno irregular podría volcar la máquina, o hacer que el operador pierda el equilibrio o la posición de los pies. La hierba alta puede esconder obstáculos. Permanezca detrás de la manija.*
3. *No coloque las manos o los pies cerca de partes giratorias o debajo de la máquina. Manténgase alejado de la abertura de descarga en todo momento.*
4. *Nunca descargue el material directamente hacia nadie. Evite descargar material contra una pared u obstrucción. El material puede rebotar hacia el operador. Detenga las cuchillas al cruzar superficies de grava.*

5. *No jale la podadora hacia atrás a menos que sea absolutamente necesario. Siempre mire hacia abajo y hacia atrás antes y mientras se mueve hacia atrás.*
6. *Siempre suelte la manija de travesaño para detener el motor y espere hasta que la cuchilla se detenga por completo y retire la llave de seguridad y los paquetes de la batería antes de limpiar la podadora, retirando el recogedor de césped, desbloqueando la descarga, al dejar la podadora, al almacenar la podadora, al transportarla o antes de realizar ajustes, reparaciones o inspecciones.*
7. *Si la podadora comienza a vibrar anormalmente, suelte la manija de travesaño, espere a que la cuchilla se detenga y retire la llave de seguridad y los paquetes de baterías, y luego verifique la causa de inmediato. La vibración generalmente es una advertencia de problemas.*

Específico para Niños

1. *Pueden ocurrir accidentes trágicos si el operador no está alerta a la presencia de niños. Los niños a menudo se sienten atraídos por la máquina y la actividad de poda. Nunca asuma que los niños permanecerán donde los vio por última vez.*
2. *Mantenga a los niños fuera del área de operación y bajo la atenta supervisión de un adulto responsable que no sea el operador.*
3. *Esté alerta y apague la podadora si un niño ingresa al área.*

Específico para Pendientes

1. *Las pendientes son un factor importante relacionado con los accidentes. La operación en pendientes requiere precaución adicional. Sólo puede pendientes que tengan 15 ° o menos usando el Indicador de pendiente en la Fig. T. No puede si se siente incómodo al hacerlo.*
2. *Puede a través de la pendiente; nunca de arriba a abajo. Tenga cuidado al operar cerca de las bajadas, canales, o diques.*
3. *Evite cortar el césped mojado. (Un equilibrio descuidado podría causar un accidente de resbalón y caída.)*
4. *No opere la máquina bajo ninguna condición donde la tracción, la dirección o la estabilidad estén en duda. La podadora podría deslizarse incluso si las ruedas están detenidas.*
5. *Evite comenzar y detenerse en pendientes. Evite hacer cambios repentinos en la velocidad o dirección. Haga giros lenta y gradualmente.*
6. *Tenga mucho cuidado al operar la máquina con un recolector de césped u otros accesorios. Pueden afectar la estabilidad de la máquina.*

Servicio

1. *Mantenga la máquina en buen estado de operación. Reemplace las partes desgastadas o dañadas.*
2. *Tenga cuidado al reparar las cuchillas. Envuelva las cuchillas o use guantes. Reemplace las cuchillas dañadas. No repare ni altere las cuchillas. Mantenga todas las tuercas y pernos apretados.*
3. *Mantenga la podadora libre de hierba, hojas u otros desechos acumulados.*

4. Mantenga o reemplace las etiquetas de seguridad e instrucciones conforme sea necesario.

Las siguientes son explicaciones de ilustraciones de peligros de seguridad importantes en la podadora.



El usuario debe leer y comprender el manual de instrucciones.



Para evitar el riesgo de lesiones severas, no puede pendientes en un ángulo de más de 15 °/25%.



Para evitar el riesgo de lesiones a los transeúntes, mantenga a todas las personas y mascotas a una distancia segura de la podadora mientras esté en funcionamiento.



Siempre mire hacia abajo y hacia atrás antes y mientras se mueve hacia atrás.



No opere la máquina sin la aleta lateral o el conductor de descarga lateral en su lugar.



No opere la máquina sin la aleta lateral o el conductor de descarga lateral en su lugar.



No opere la máquina sin la aleta lateral o el conductor de descarga lateral en su lugar.



Las cuchillas giratorias pueden causar lesiones serias. Mantenga las manos y los pies alejados de la plataforma de poda y la abertura de descarga en todo momento. Siempre asegúrese que la cuchilla se haya detenido. Libere la manija de travesaño para apagar la podadora y espere que la cuchilla deje de girar (aproximadamente 3 segundos) y retire la llave de seguridad y los paquetes de batería antes de retirar o reemplazar el recogedor de césped, limpiar, dar servicio, transportar o levantar la podadora.



Los objetos golpeados por la cuchilla de la podadora pueden causar lesiones graves. Manténgase detrás de la manija cuando el motor esté funcionando. Siempre asegúrese que las personas y las mascotas estén lejos de la descarga de la podadora durante el funcionamiento. Siempre revise el área de siega antes de cortar y quite los objetos que puedan ser arrojados por la cuchilla. Suelte la manija de travesaño para apagar la podadora y espere a que la hoja deje de girar (aproximadamente 3 segundos) antes de cruzar aceras, caminos, patio y caminos de grava.

Información de Seguridad Adicional



ADVERTENCIA: Nunca modifique la herramienta eléctrica o ninguna parte de ella. Podría resultar en daño o lesiones personales.



ADVERTENCIA: SIEMPRE use gafas de seguridad. Las gafas de uso diario NO son gafas de seguridad. También use una careta o máscara de polvo si la operación de corte produce polvo. Utilice la protección auditiva si la operación de corte es ruidosa. SIEMPRE USE EQUIPO DE SEGURIDAD CERTIFICADO:

- Protección para los ojos ANSI Z87.1 (CAN/CSA Z94.3),
- Protección auditiva ANSI S12.6 (S3.19),
- Protección respiratoria NIOSH/OSHA/MSHA.



ADVERTENCIA: Algún polvo producido por este producto contiene químicos conocidos por el Estado de California que causan cáncer, defectos de nacimiento u otros daños reproductivos. Algunos ejemplos de estos químicos son:

- compuestos en fertilizantes
- compuestos en insecticidas, herbicidas y pesticidas
- arsénico y cromo a partir de madera tratada químicamente

Para reducir su exposición a estos químicos, use equipo de seguridad aprobado, tal como máscaras de polvo que estén diseñadas específicamente para filtrar partículas microscópicas.

La etiqueta en su herramienta puede incluir los siguientes símbolos. Los símbolos y sus definiciones son los siguientes:


V	volt	⚡ o CA/CD	corriente alterna o directa
Hz	hertz	☐	Construcción Clase II (aislamiento doble)
min	minutos	— — — o DC	corriente directa
⚡	Construcción Clase I (conectada a tierra)	n ₀	sin carga velocidad
.../min	por minuto	n	velocidad nominal
BPM	golpes por minuto	PSI	libras por pulgada cuadrada
IPM	impactos por minuto	⊕	terminal de tierra
OPM	oscilaciones por minuto	⚠	símbolo de alerta de seguridad
RPM	revoluciones por minuto	⚠	radiación visible no mirar directamente a la luz
sfpm	pies de superficie por minuto	⊕	use protección respiratoria
SPM	carreras por minuto	⊕	use protección para los ojos
A	amperés	⊕	use protección auditiva
W	watts	📖	lea toda la documentación
Wh	Watt Horas		
Ah	amperios hora		
~ o AC	corriente alterna		

BATERÍAS Y CARGADORES

El paquete de batería no está completamente cargado cuando se retira del cartón. Antes de usar la batería y el cargador, lea las siguientes instrucciones de seguridad y luego siga los procedimientos de carga descritos. Cuando solicite paquetes de baterías de repuesto, asegúrese de incluir el número de catálogo y el voltaje.

LEA TODAS LAS INSTRUCCIONES

Instrucciones de Seguridad Importantes para Todos los Paquetes de Batería

-  **ADVERTENCIA:** *Lea todas las advertencias de seguridad, instrucciones y marcas de precaución para el paquete de la batería, el cargador y el producto. La falla en seguir las advertencias e instrucciones puede resultar en descarga eléctrica, incendio y/o lesiones serias.*
- **No cargue o use el paquete de batería en atmósferas explosivas, como en la presencia de líquidos, gases o polvo inflamables.** Insertar o retirar el paquete de batería del cargador puede encender el polvo y los vapores.
- **NUNCA fuerce el paquete de batería dentro del cargador. NO modifique el paquete de batería en ninguna forma para instalarlo en un cargador no compatible ya que el paquete de batería se puede romper causando lesiones personales serias.** Consulte la tabla al final de este manual respecto a compatibilidad de las baterías y cargadores.
- **Cargue los paquetes de batería sólo en cargadores DEWALT.**
- **NO salpique ni sumerja en agua u otros líquidos.**
- **NO permita que agua o ningún otro líquido entre al paquete de batería.**
- **No almacene ni use la herramienta y el paquete de baterías en lugares donde la temperatura pueda alcanzar o exceder los 40 °C (104 °F) (como cobertizos exteriores o edificios de metal en verano).** Para obtener la mejor vida útil, guarde los paquetes de baterías en un lugar fresco y seco.
- **NOTA: No guarde los paquetes de baterías en una herramienta con el interruptor de gatillo bloqueado. Nunca sujete con cinta el interruptor de gatillo en la posición ON.**
- **No incinere el paquete de batería incluso si está dañado severamente o está completamente agotada.** El paquete de batería pueden explotar en el fuego. Se crean humos y materiales tóxicos cuando se queman los paquetes de baterías de ion de litio.
- **No exponga un paquete de batería o una herramienta a fuego o temperatura excesiva.** La exposición a fuego o temperaturas mayores a 130 °C (265 °F) pueden causar una explosión.
- **Siga todas las instrucciones de carga y no cargue el paquete de batería o el aparato fuera del rango de temperatura especificado en las instrucciones.** Cargar inadecuadamente o en una temperatura fuera del rango

especificado puede dañar la batería e incrementar el riesgo de incendio.

- **Si el contenido de la batería entra en contacto con la piel, lave de inmediato el área con jabón suave y agua.** Si el líquido de la batería entra en los ojos, enjuague con agua sobre el ojo abierto durante 15 minutos o hasta que desaparezca la irritación. Si se necesita atención médica, el electrolito de la batería está compuesto por una mezcla de carbonatos orgánicos líquidos y sales de litio.
- **El contenido de las celdas de batería abiertas puede causar irritación respiratoria.** Proporcione aire fresco. Si los síntomas persisten, busque atención médica.
- **El líquido de la batería puede ser inflamable si se expone a chispas o llamas.**
- **Nunca intente abrir el paquete de baterías por ninguna razón. Si la caja del paquete de baterías está agrietada o dañada, no la inserte en el cargador.** No aplaste, deje caer o dañe el paquete de la batería. No use un paquete de baterías o cargador que haya recibido un golpe fuerte, se haya dejado caer, se haya aplastado o dañado de cualquier manera (por ej., perforado con un clavo, golpeado con un martillo, o pisado). Los paquetes de batería dañados se deben regresar al centro de servicio para reciclaje.

Recomendaciones de Almacenamiento

El mejor lugar de almacenamiento es aquel que es fresco y seco, alejado de la luz solar directa y del exceso de calor o frío. Guarde el paquete de batería completamente cargado fuera del cargador.


Instrucciones de Limpieza de Paquete de Batería

La suciedad y grasa se pueden retirar del exterior de la paquette de batería con una tela o cepillo no metálico suave. No use agua o ninguna solución de limpieza.

Paquetes de Baterías de Indicador de Combustible (Fig. B)

Algunos paquetes de batería incluyen un indicador de combustible. Cuando se presiona y sostiene el botón de indicador de combustible, las luces LED indicarán el nivel de carga aproximado restante. Éste no indica la funcionalidad de la herramienta y está sujeto a variación en base a los componentes del producto, la temperatura y la aplicación del usuario final.

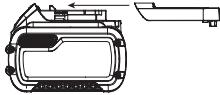
Transporte

-  **ADVERTENCIA: Riesgo de Incendio. No guarde, transporte, o lleve el paquete de batería de forma que objetos de metal puedan tener contacto con las terminales expuestas de la batería.** Por ejemplo, no coloque la batería en delantales, bolsillos, cajas de herramientas, cajas de juego de productos, cajones, etc., con clavos sueltos, tornillos, llaves, monedas, herramientas manuales, etc. Al transportar paquetes de baterías individuales, asegúrese que las terminales de la batería estén protegidas y bien aisladas de

materiales que puedan entrar en contacto con ellas y causar un cortocircuito. **NOTA:** Los paquetes de batería de ion de litio no se deben colocar en equipaje de mano en aviones y se deben proteger adecuadamente contra corto circuito si están en el equipaje registrado.

Envío de Paquete de Batería DEWALT FLEXVOLT™

El paquete de batería DEWALT FLEXVOLT™ tiene una tapa de batería que se debe usar cuando se envíe el paquete de batería.



Conecte la tapa al paquete de batería para alistarlo para envío. Esto convierte el paquete de batería en tres baterías de 20 V separadas. Las tres baterías tienen la clasificación Watt horas en el paquete de batería etiquetado "Envío". Si se envía sin la tapa o en una herramienta, el paquete es una batería en la clasificación de Watts hora indicada al lado de "Uso".

Ejemplo de etiqueta de paquete de batería:

USO: 120 Wh Envío: 3 x 40 Wh

En este ejemplo, el paquete de batería es tres baterías con 40 Watts hora cada una cuando se usa la tapa. De otra manera, el paquete de batería es de 120 Watts hora.

El Sello RBRC®

Lleve sus paquetes de batería agotados a un centro de servicio autorizado DEWALT o a su minorista local para reciclarlas. En algunas áreas, es ilegal colocar paquetes de batería gastados en la basura. También puede comunicarse con su centro de reciclaje local para obtener información sobre dónde dejar el paquete de batería agotado. No las coloque en el reciclaje de la acera. *Para información adicional visite www.call2recycle.org.*



O llame al número de larga distancia gratuito en el Sello RBRC®. RBRC® es una marca comercial registrada de Call 2 Recycle, Inc.

Instrucciones de Seguridad Importantes para Todos los Cargadores de Batería

⚠️ ADVERTENCIA: Lea todas las advertencias de seguridad, instrucciones y marcas de precaución para el paquete de la batería, el cargador y el producto. La falla en seguir las advertencias e instrucciones puede resultar en descarga eléctrica, incendio y/o lesiones serias.

- **No intente cargar el paquete de batería con cargadores diferentes al DEWALT.** DEWALT y los paquetes de batería están diseñados específicamente para funcionar juntos.
- **Estos cargadores no están destinados para ningún otro uso que no sea cargar DEWALT.** Cargar otros tipos de baterías puede causar que se sobrecalienten y exploten, resultando en lesiones personales, daño a la propiedad, incendio, descarga eléctrica o electrocución.
- **No exponga el cargador a la lluvia o la nieve.**

- **NO permita que agua o ningún otro líquido entre al cargador.**
- **Jale por el enchufe en lugar del cable cuando desconecte el cargador.** Esto reducirá el riesgo de daños al enchufe y cable eléctricos.
- **Asegúrese que el cable esté ubicado de forma que no se pueda pisar, provoque tropiezos, o de otra forma esté sujeto a daño o esfuerzo.**
- **No use un cable de extensión a menos que sea absolutamente necesario.** El uso de un cable de extensión inadecuado podría resultar en riesgo de incendio, descarga eléctrica o electrocución.
- **Cuando opere un cargador al aire libre, proporcione siempre un lugar seco y use un cable de extensión adecuado para uso en exteriores.** El uso de un cable adecuado para uso en exteriores reduce el riesgo de descarga eléctrica.
- **Un cable de extensión debe tener un tamaño de cable adecuado (AWG o American Wire Gauge) por seguridad.** Cuanto menor es el número de calibre del cable, el cable será más pesado y por lo tanto su capacidad. Un cable de tamaño inferior causará una caída en el voltaje en línea que resulta en una pérdida de energía y sobrecalentamiento. La siguiente tabla muestra el tamaño correcto a usar dependiendo de la longitud total de todos los cables de extensión juntos, y la clasificación de amperes de la placa de identificación. Si tiene duda, use el calibre más pesado siguiente.

Calibre mínimo para juegos de cable

Voltios	Longitud total de cable en pies (metros)			
	25 (7.6)	50 (15.2)	100 (30.5)	150 (45.7)
120V				
Clasificación de amperes	American Wire Gauge			
	Mayor a	No mayor a		
0	6	18	16	14
6	10	18	16	14
10	12	16	16	14
12	16	14	12	No recomendado

- **No coloque ningún objeto encima del cargador ni coloque el cargador sobre una superficie blanda que pueda bloquear las ranuras de ventilación y provocar un calor interno excesivo.** Coloque el cargador en una posición lejos de cualquier fuente de calor. El cargador se ventila a través de ranuras en la parte superior e inferior del alojamiento.
- **No opere el cargador con un cable o enchufe dañado.** Solicite que los replacen inmediatamente.
- **No opere el cargador si recibió un golpe fuerte, se dejó caer o se dañó de cualquier manera.** Llévelo a un centro de servicio autorizado.
- **No desensamble el cargador; llévelo a un centro de servicio autorizado cuando se requiera servicio o reparación.** El reensamble incorrecto puede resultar en un riesgo de descarga eléctrica, electrocución o incendio.
- **El cargador está diseñado para operar con corriente eléctrica doméstica estándar de 120V. No intente**

usarlo en ningún otro voltaje. Esto no aplica al cargador de vehículos.

- **Los materiales extraños de naturaleza conductiva tales como, pero sin limitarse a, polvo de pulido, rebabas de metal, lana de acero, papel aluminio, o cualquier acumulación de partículas metálicas se deben mantener alejados de las cavidades y ranuras de ventilación del cargador.**
- **Siempre desconecte el cargador del suministro de energía cuando no haya paquete de baterías en la cavidad.**

Carga de la Batería (Fig. C)

1. Conecte el cargador en un tomacorriente apropiado.
2. Inserte y asiente completamente el paquete de batería. La luz de carga roja parpadeará continuamente mientras carga.
3. La carga es completa cuando la luz roja permanece encendida continuamente. El paquete de batería se puede dejar en el cargador o retirarse. Algunos cargadores requieren que se presione el botón de liberación del paquete de batería para retirarlo.
4. El cargador no cargará un paquete de batería defectuoso, lo que puede indicarse por la luz que permanece apagada. Lleve el cargador y el paquete de batería a un centro de servicio autorizado si la luz permanece apagada.

NOTA: Consulte la etiqueta cerca de la luz de carga en el cargador respecto a los patrones de parpadeo. Los cargadores más viejos pueden tener información adicional y/o pueden no tener una luz indicadora amarilla.

Demora de Paquete Caliente/Frío

Cuando el cargador detecta un paquete de batería que está demasiado caliente o demasiado frío, comienza automáticamente una Demora de Paquete Caliente/Frío, suspendiendo la carga hasta que el paquete de batería alcance una temperatura apropiada. El cargador cambia automáticamente al modo de carga del paquete. Esta característica garantiza la vida máxima del paquete de batería.

Un paquete de batería frío puede cargar a un ritmo más lento que un paquete de batería caliente.

La demora de paquete caliente/frío se indicará por la luz roja que continúa parpadeando pero con la luz amarilla encendida continuamente. Una vez que la batería haya alcanzado la temperatura adecuada, la luz amarilla se apagará y el cargador reanudará el proceso de carga.

Cargadores DCB118 y DCB112

Los cargadores DCB118 y DCB112 están equipados con un ventilador interno diseñado para enfriar el paquete de batería. El ventilador se encenderá automáticamente cuando el paquete de batería se necesite enfriar.

Sistema de Protección Electrónica

Las herramientas de ion de litio están diseñadas con un Sistema de Protección Electrónica que protegerá el paquete de batería contra sobrecarga, sobrecalentamiento o descarga

profunda. La herramienta se apagará automáticamente y el paquete de batería se necesitará volver a cargar.

Notas Importantes de Carga

1. Se puede obtener una vida útil más larga y un mejor rendimiento si los paquetes de baterías se cargan **24** cuando la temperatura del aire está entre 18 °C - 24 °C (65 °F - 75 °F). NO cargue cuando la batería esté por debajo de +4,5 °C (+40 °F) o por encima de +40 °C (+104 °F). Esto es importante y evitará daños graves a la batería.
2. El cargador y el paquete de baterías pueden calentarse al tacto durante la carga. Esta es una condición normal y no indica un problema. Para facilitar el enfriamiento de la batería después de su uso, evite colocar el cargador o la batería en un ambiente cálido, como en un cobertizo de metal o un remolque sin aislamiento.
3. Si la batería no se carga correctamente:
 - a. Verifique la operación del receptáculo conectando una lámpara u otro aparato;
 - b. Revise si el receptáculo está conectado a un interruptor de luz que apege la energía cuando apague las luces;
 - c. Si persisten los problemas de carga, lleve la herramienta, el paquete de batería y el cargador a su centro de servicio local.
4. Puede cargar un paquete parcialmente usado cuando lo desee sin ningún efecto adverso en el paquete de baterías.

Instrucciones de Limpieza de Cargador



ADVERTENCIA: Riesgo de descarga eléctrica. Desconecte el cargador del tomacorriente CA antes de limpiar. La suciedad y grasa se pueden retirar del exterior del cargador con una tela o cepillo no metálico suave. No use agua o ninguna solución de limpieza.

CONSERVE ESTAS INSTRUCCIONES PARA USO FUTURO

Montaje en Pared

Algunos cargadores CRAFTSMANDEWALT están diseñados para montarse en pared o colocarse verticales sobre una mesa o superficie de trabajo. Si se monta en pared, localice el cargador dentro del alcance de un tomacorriente eléctrico, y lejos de una esquina u otras obstrucciones que puedan impedir el flujo de aire. Use la parte posterior del cargador como una plantilla para la ubicación de los tornillos de montaje en la pared. Instale el cargador firmemente con tornillos para Tablaroca (adquiridos por separado) por lo menos de 1" (25.4 mm) de largo, con un diámetro de cabeza de tornillo de 0.28–0.35" (7–9 mm), atornillados en madera a una profundidad óptima dejando aproximadamente 7/32" (5.5 mm) de tornillo expuesto. Alinee las ranuras en la parte posterior del cargador con los tornillos expuestos y conéctelos completamente dentro de las ranuras.

CONSERVE ESTAS INSTRUCCIONES PARA USO FUTURO

ENSAMBLE Y AJUSTES

⚠ PELIGRO: Para reducir el riesgo de lesiones personales serias, apague la unidad y retire la llave de seguridad y los paquetes de batería antes de realizar cualquier ajuste o retirar/instalar conexiones o accesorios. Un arranque accidental puede causar lesiones.

Ajuste de Altura de la Manija (Fig. D)

La podadora se envía en modo de almacenamiento. Deberá ajustar la manija a la posición de operación antes de continuar.

1. Para desbloquear la manija inferior **17** de la posición de almacenamiento, gire las dos perillas de bloqueo de manija un cuarto de vuelta. Las perillas de bloqueo de manija están ubicadas en ambos lados de la manija inferior.
2. Levante la manija inferior a la posición de operación más cómoda, eligiendo el orificio inferior o superior en cada soporte lateral. Tenga cuidado de no atrapar o poner estrés al cable.
3. Gire las perillas de bloqueo de manija un cuarto de vuelta, asegurando la manija inferior en su posición.

Conexión de Manija Superior (Fig. E)

1. Alinee los orificios en la parte inferior de la manija superior **4** con los en la parte superior de la manija inferior **17**. Tenga cuidado de no atrapar o poner estrés al cable.

NOTA: Asegúrese que el cable esté ubicado en el frente de ambas manijas. Si no lo está, puede provocar enredos en el cable y la imposibilidad de almacenar fácilmente la podadora.

2. Desde el interior de la manija inferior, inserte el perno de la manija **19** a través de los dos orificios de la manija. Repita para el lado opuesto.
3. Desde el exterior de la manija superior, apriete una perilla de manija en cada perno de manija. Tenga cuidado de no atrapar o poner estrés al cable.

Bolsa de Recolección de Césped (Fig. F)

⚠ PELIGRO: Apague la unidad y retire la llave de seguridad y los paquetes de batería.

1. Levante la cubierta de la puerta trasera **12**, retire el tapón de mantillo **20**, y coloque la bolsa de recolección de césped **13** sobre la podadora de forma que las orejas de la bolsa **21** se deslicen en las ranuras **22** sobre las superficies plásticas internas de los soportes de la manija. Después baje la cubierta de la puerta trasera.
2. Si está instalado, retire el conducto de descarga lateral **16** y asegúrese que la aleta lateral **15** esté completamente abajo.

Descarga Lateral (Fig. G)

⚠ PELIGRO: Apague la unidad y retire la llave de seguridad y los paquetes de batería.

1. Para operar la podadora en el modo de descarga lateral, retire la bolsa de recolección de césped **13** y el tapón de mantillo **20**.

2. Asegúrese que la cubierta de la puerta trasera **12** esté cerrada.
3. Levante la aleta lateral **15** y enganche el conducto de descarga lateral **16** en la podadora.
4. Libere la aleta lateral y asegúrese que el conducto de descarga lateral se sostenga en su lugar antes de encender la podadora.

Cubierta de Mantillo (Fig. H)

⚠ PELIGRO: Apague la unidad y retire la llave de seguridad y los paquetes de batería.

1. Para operar la podadora en modo de cubierta de mantillo, retire la bolsa de recolección de césped **13**.
2. Levante la cubierta de la puerta trasera **12** y deslice el inserto de cobertura **20** completamente en la podadora.
3. Asegúrese que la cubierta de la puerta trasera esté cerrada.
4. Si está instalado, retire el conducto de descarga lateral **16** y asegúrese que la aleta lateral **15** esté completamente abajo.

Ajuste de Altura de la Podadora (Fig. I, J)

La altura de corte se ajusta mediante la palanca de ajuste de altura de corte **11**.

NOTA: Si no está seguro de qué altura cortar, comience a podar con la palanca de ajuste de altura de corte colocada hacia la parte trasera.

Para ajustar la Altura del Corte

1. Jale la palanca de ajuste de altura de corte fuera de la muesca de bloqueo **23**.
2. Mueva la palanca hacia la parte posterior de la podadora para elevar la altura de corte.
3. Mueva la palanca hacia la parte delantera de la podadora para bajar la altura de corte.
4. Empuje la palanca de ajuste de altura hacia una de las muescas de bloqueo.

OPERACIÓN

⚠ PELIGRO: Para reducir el riesgo de lesiones personales serias, apague la unidad y retire la llave de seguridad y los paquetes de batería antes de realizar cualquier ajuste o retirar/instalar conexiones o accesorios. Un arranque accidental puede causar lesiones.

Posición Adecuada de las Manos (Fig. N)

⚠ ADVERTENCIA: Para reducir el riesgo de lesión personal grave, tenga **SIEMPRE** las manos en una posición adecuada como se muestra.

⚠ ADVERTENCIA: Para reducir el riesgo de lesión personal grave, sujete **SIEMPRE** bien en caso de que haya una reacción repentina.

La colocación adecuada de las manos requiere que ambas manos sujeten la manija principal **4**, y la manija de travesaño **5** juntas cuando no estén en modo de autopropulsión; y ambas manos agarrando la manija principal, la manija de sujeción y la manija de sujeción de autopropulsión **6** juntas cuando está en el modo de autopropulsión.

LEA ESTE MANUAL DE INSTRUCCIONES ANTES DE OPERAR SU PODADORA

Consulte la Fig. A al inicio de este manual respecto a una lista completa de componentes. Conserve este manual para referencia futura.

! **PELIGRO: Cuchilla móvil filosa.** No opere la podadora en modo de cobertura si la puerta trasera y la puerta de descarga lateral no están cerradas bajo la tensión del resorte, ya que podría ocasionar lesiones graves. Lleve su podadora al centro de servicio más cercano para repararla.

! **PELIGRO:** No opere la podadora a menos que la manija esté bloqueada en su posición.

! **PELIGRO: Cuchilla móvil filosa.** Nunca opere la podadora en el modo de embolsado a menos que las orejas de la bolsa en la bolsa de recolección de césped estén asentadas correctamente en la podadora y la puerta de descarga trasera descansa firmemente contra la parte superior de la bolsa de recolección de césped, ya que podría ocasionar lesiones graves.

! **ADVERTENCIA:** Deje que la podadora funcione a su propio ritmo. No sobrecargue.

Instalación y Desinstalación de Paquete de Batería (Fig. K)

! **PELIGRO: ASEGÚRESE QUE LA LLAVE DE SEGURIDAD SE EXTRAIGA PARA IMPEDIR LA ACTIVACIÓN ANTES DE RETIRAR O INSTALAR LA BATERÍA.**

Esta podadora está diseñada para operar con dos paquetes de baterías de igual capacidad. La podadora no funcionará con un solo paquete de baterías, y si utiliza paquetes de baterías de diferente capacidad, el paquete de baterías de menor capacidad, cuando se descargue, hará que la unidad se apague y el LED al frente de la cubierta del puerto de la batería cerrada parpadee. La unidad también se apagará y el LED parpadeará si los paquetes de batería alcanzan un límite de alta temperatura, que puede ser causado por cortar césped pesado. Si esto ocurre, permita que los paquetes de batería se enfríen para continuar cortando con la plataforma colocada más arriba.

NOTA: Para mejores resultados, asegúrese que los paquetes de batería **24** estén completamente cargados.

Para Instalar los Paquetes de Batería

- Levante y sostenga la cubierta de puerto de batería **10** para exponer el puerto de batería **25**.
- Deslice el paquete de batería **24** en el puerto de batería hasta que se escuche un clic audible. Repita para el segundo puerto de batería.
NOTA: Asegúrese que los paquetes de batería estén completamente asentados y completamente asegurados en posición antes de arrancar la podadora.
- Cierre la tapa del puerto de la batería. Asegúrese que la tapa esté completamente cerrada antes de encender la podadora.

Para Retirar los Paquetes de Batería

- Levante y sostenga la cubierta de puerto de batería para exponer el puerto de batería.
- Presione el botón de liberación de batería **26** en el paquete de batería y jale los paquetes de batería fuera de la herramienta.

Llave de Seguridad (Fig. L)

! **PELIGRO: Cuchilla móvil filosa.** Para evitar un arranque accidental o el uso no autorizado de su podadora sin cable, se ha incorporado una llave de seguridad extraíble **3** en el diseño de su podadora. La podadora estará completamente deshabilitada cuando la llave de seguridad se retire de la podadora.

! **PELIGRO: Las cuchillas giratorias pueden causar lesiones serias.** Para evitar lesiones graves, apague la unidad y retire la llave de seguridad y los paquetes de baterías cuando esté desatendida, o cuando cargue, limpie, dé servicio, transporte, levante o guarde la podadora.

Arranque de podadora (Fig. K–N)

! **PELIGRO: Cuchilla móvil filosa. Nunca intente anular la operación de la caja de interruptores y sistema de llave de seguridad, ya que podría ocasionar lesiones graves.**

! **ADVERTENCIA:** Asegúrese que el accionamiento automático esté desactivado antes de arrancar la podadora.

NOTA: La podadora es operativa cuando los paquetes de batería y la llave de seguridad están instalados.

- Levante y sostenga la cubierta de puerto de batería **10** para exponer el puerto de batería **25**.
- Deslice el paquete de batería en el puerto de la batería hasta que escuche un clic audible. Repita este proceso para el segundo puerto de batería.
NOTA: Asegúrese que los paquetes de batería estén completamente asentados y completamente asegurados en posición antes de arrancar la podadora.
- Cierre la tapa del puerto de la batería. Asegúrese que la tapa esté completamente cerrada antes de encender la podadora.
- Inserte la llave de seguridad **3** en la caja del interruptor ON-OFF (encendido-apagado) **1** hasta que esté completamente asentado dentro del alojamiento. La podadora ahora es operativa.
- Su podadora está equipada con una caja especial de interruptor de ON-OFF (encendido-apagado) **1**. Para operar la podadora, empuje y sostenga el botón ON-OFF (encendido-apagado) **2** en la caja de interruptor ON-OFF, y después jale la manija de travesaño **5** hacia la manija principal **4**.
NOTA: Una vez que la podadora arranque puede liberar el botón ON-OFF (encendido-apagado), pero debe continuar sosteniendo la manija de travesaño hacia la manija principal para que la podadora funcione.
- Para APAGAR la podadora, libere la manija de travesaño.

⚠️ ADVERTENCIA: Nunca intente bloquear un interruptor o manija de travesaño en la posición ON.

NOTA: Una vez que la manija de travesaño haya regresado a la posición original, activará el "Mecanismo de frenado automático". El motor se frena y la cuchilla de la podadora dejará de girar en tres segundos o menos. Si la cuchilla de la podadora gira más de tres segundos, descontinúe el uso de la podadora y pida que se le dé servicio.

Sistema de Accionamiento Automático de Velocidad Variable (Fig. N)

⚠️ PELIGRO: Cuchilla móvil filosa. Nunca intente anular la operación de la caja de interruptores, el sistema de accionamiento automático, o el sistema de llave de seguridad, ya que podría ocasionar lesiones graves.

Su podadora está equipada con un motor de velocidad variable. Este sistema depende del interruptor de ENCENDIDO-APAGADO de la cuchilla. Sólo se puede usar con la cuchilla girando.

1. Siga las **instrucciones de Arranque** de la podadora.
2. Para encender el autopropulsor, sostenga la manija de sujeción de la hoja **5** en su lugar contra la manija principal **4** con una mano.
3. Tire de la palanca de velocidad automática **6** hacia el mango principal con la otra mano.
4. Puede sujetar solo la palanca de velocidad o sujetar la manija de seguridad y la palanca de velocidad simultáneamente.
5. Para apagar la conducción automática, suelte la palanca de velocidad.

NOTA: Cuando apaga el impulso automático, por ejemplo, al final de una fila, las ruedas pueden bloquearse temporalmente si tira hacia atrás de la podadora. Simplemente empuje un poco hacia adelante y luego mueva la podadora según sea necesario.

NOTA: Durante el corte, a veces puede ser más fácil maniobrar alrededor de un objeto, como un árbol o plantas, con el impulso automático apagado. La podadora se puede utilizar fácilmente con el accionamiento automático apagado.

Rueda de Ajuste de Velocidad Variable (Fig. N)

Su cortadora de césped está equipada con una rueda de ajuste de velocidad variable **27** ubicada en la parte inferior de la carcasa de transmisión automática **28**. Este sistema ajusta la rapidez o la lentitud con que el sistema de conducción automática impulsa la cortadora de césped.

1. Para aumentar la velocidad del sistema de autopropulsión, gire la rueda de ajuste de velocidad variable en la dirección indicada por la flecha ubicada junto a la rueda de ajuste de velocidad variable.
2. Para disminuir la velocidad del sistema de autopropulsión, gire la rueda de ajuste de velocidad variable en la dirección opuesta indicada por la flecha ubicada junto a la rueda de ajuste de velocidad variable).

Sobrecarga de la Podadora

Para evitar daños debido a condiciones de sobrecarga, no intente eliminar demasiada hierba a la vez. Disminuya la velocidad de corte o aumente la altura de corte.

Consejos para Podar (Fig. A)

⚠️ ADVERTENCIA: SIEMPRE REVISE EL ÁREA DONDE SE DEBE UTILIZAR LA PODADORA Y RETIRE TODAS LAS PIEDRAS, PALOS, ALAMBRES, HUELOS Y OTROS ESCOMBROS QUE PUEDAN SER ARROJADOS POR LA CUCHILLA GIRATORIA.

⚠️ ADVERTENCIA: Pode a través de la pendiente, nunca de arriba a abajo. Tenga extrema precaución cuando cambie de dirección en pendientes. No corte pendientes excesivamente empinadas (mayores a 15 °). Siempre mantenga un buen equilibrio.

- Suelte la manija de travesaño **5** para "apagar" la podadora cuando cruce cualquier área de grava (las piedras pueden ser arrojadas por la cuchilla).
- Coloque la podadora a la altura de corte más alta cuando corte en terreno irregular o en malezas altas. Retirar demasiada hierba a la vez puede causar que el motor se sobrecargue y se detenga.
- Si se usa una bolsa de recolección de césped **13** durante la temporada de crecimiento rápido, el césped puede tender a obstruirse en la abertura de descarga. Suelte la manija de travesaño para apagar la podadora, retire la llave de seguridad **3** y los paquetes de la batería **24**. Retire el recogedor y agite el césped hasta el final de la bolsa. Limpie también cualquier hierba o escombros que pueda acumularse alrededor de la abertura de descarga. Vuelva a colocar el recogedor de césped.
- Si la podadora comienza a vibrar anormalmente, suelte la manija de travesaño para apagar la podadora, retire la llave de seguridad y los paquetes de la batería. Verifique inmediatamente la causa. La vibración es una advertencia de problemas. No opere la podadora hasta que se haya realizado una revisión de servicio.
- Para obtener los mejores resultados de corte, mantenga la cuchilla afilada y equilibrada.
- Revise y limpie minuciosamente la podadora después de cada uso, ya que una plataforma con césped atorado reducirá el rendimiento.
- Siempre suelte la manija de travesaño para apagar la podadora, retire la llave de seguridad y los paquetes de batería cuando la deje desatendida incluso por un corto período de tiempo.

Las siguientes sugerencias lo ayudarán a obtener un tiempo de operación óptimo de su podadora inalámbrica:

- Reduzca la velocidad en áreas donde la hierba es especialmente larga o gruesa.
- Evite cortar cuando la hierba está mojada por la lluvia o por el rocío.
- Corte su césped con frecuencia, especialmente durante períodos de gran crecimiento.

NOTA: Se recomienda que sus paquetes de batería se recarguen después de su uso para prolongar la vida útil de la batería. La carga frecuente no dañará su paquete de batería y garantizará que el paquete de batería esté completamente cargado y listo para su próximo uso. El almacenamiento de un paquete de batería no cargada por completo acortará su vida útil.

Almacenamiento (Fig. A)

PELIGRO: La cuchilla giratoria puede causar lesiones serias. Suelte la manija de travesaño para apagar la podadora, retire la llave de seguridad y retire los paquetes de batería antes de levantar, transportar o almacenar la podadora. Almacene en un lugar seco.

ATENCIÓN: Punto de atrapamiento. Para evitar que queden atrapados, mantenga los dedos alejados del área alrededor de los soportes de la manija al doblar las manijas.

La manija de la podadora se puede plegar fácilmente para un almacenamiento rápido y conveniente.

1. En la manija inferior, gire las perillas de bloqueo de manija 7 un cuarto de vuelta.
2. Gire la manija hacia el frente de la podadora. Tenga cuidado de no atrapar o poner estrés al cable.
3. Gire las perillas de bloqueo de manija un cuarto y vuelta para bloquear la manija en la posición de almacenamiento.
4. La podadora se puede guardar parada, con la bolsa de recolección retirada, o plana sobre sus ruedas.

MANTENIMIENTO

PELIGRO: Para reducir el riesgo de lesiones personales serias, apague la unidad y retire la llave de seguridad y los paquetes de batería antes de realizar cualquier ajuste o retirar/instalar conexiones o accesorios. Un arranque accidental puede causar lesiones.

Desinstalación e Instalación de Cuchilla (Fig. O–Q)

PELIGRO: RIESGO DE LESIONES. AL REENSAMBLAR EL SISTEMA DE LA CUCHILLA, ASEGÚRESE QUE CADA PARTES SE REINSTALA CORRECTAMENTE, COMO SE DESCRIBE A CONTINUACIÓN. UN ENSAMBLE INCORRECTO DE LA CUCHILLA U OTRAS PARTES DEL SISTEMA DE LA CUCHILLA PUEDE CAUSAR LESIONES GRAVES.

PELIGRO: Para reducir el riesgo de lesiones personales serias, apague la unidad, retire la llave de seguridad y los paquetes de batería antes de realizar cualquier ajuste o retirar/instalar conexiones o accesorios. Un arranque accidental puede causar lesiones.

Las cuchillas de repuesto están disponibles en su centro de servicio autorizado más cercano. Esta podadora requiere la cuchilla de repuesto DWO1DT233.

1. Corte una pieza de madera de 2" x 4" 29 (aproximadamente 2 pies de largo) (610 mm) para evitar que la cuchilla gire cuando retire el perno de la cuchilla 30.

ADVERTENCIA: Use guantes y protección adecuada para los ojos. Ponga la podadora de lado. Tenga cuidado con los bordes afilados de la cuchilla.

2. Coloque la madera y desatornille el perno de la cuchilla en sentido contrario a las manecillas del reloj con una

llave de 16 mm (5/8") 31 (no incluido) como se muestra en la Fig. O.

3. Retire el perno de la cuchilla, la placa de resorte 32 y la cuchilla 33 como se muestra en la Fig. P. Revise todas las partes respecto a daños y reemplace si es necesario.
4. Instale la cuchilla afilada o nueva en el borde del adaptador de cuchilla 34 como se muestra en la Fig. P. La cuchilla tiene un corte de ala que se debe igualar y conectar a la proyección de la misma forma en el adaptador de la cuchilla.

NOTA: Cuando reemplace la cuchilla afilada o nueva en el borde del adaptador de cuchilla, asegúrese que la parte inferior de la cuchilla marcada como BOTTOM (inferior) viendo al suelo cuando la podadora se regrese a su posición vertical normal.

5. Instale la placa de resorte en la cuchilla. Asegúrese de alinear los cubos en la placa de resorte con los topes en la cuchilla, girando la cuchilla y la placa de resorte juntas conforme sea necesario.
6. Coloque la pieza de madera para evitar que la cuchilla gire como se muestra en la Fig. Q. Instale el perno de la cuchilla y apriete firmemente la cuchilla con una llave de 16 mm (5/8").

Afilado de Cuchillas

MANTENGA LA HOJA AFILADA PARA OBTENER EL MEJOR RENDIMIENTO DE LA PODADORA. UNA CUCHILLA SIN FILO NO CORTA LA HIERBA DE FORMA LIMPIA.

ADVERTENCIA: Use guantes y protección adecuada para los ojos mientras saca, afila e instala la cuchilla. Asegúrese de quitar la llave de seguridad y el paquete de batería.

Afilar la cuchilla dos veces durante la temporada de poda suele ser suficiente en circunstancias normales. La arena hace que la cuchilla pierda filo rápidamente. Si su césped tiene tierra arenosa, es posible que se requiera un afilado más frecuente. **REEMPLACE INMEDIATAMENTE UNA CUCHILLA DOBLADA O DAÑADA.**

Al Afilarse la Cuchilla

- Asegúrese que la cuchilla permanezca balanceada.
- Afile la cuchilla en el ángulo de corte original.
- Afile los bordes de corte en ambos extremos de la cuchilla, eliminando cantidades iguales de material de ambos extremos.

Para Afilarse la Cuchilla en una Prensa de Banco (Fig. R)


1. Asegúrese de liberar la manija de travesaño, de que la cuchilla se haya detenido y de que se hayan retirado la llave de seguridad y el paquete de batería antes de retirar la cuchilla.
2. Retire la cuchilla de la podadora. Vea las instrucciones para **Desinstalación e Instalación de cuchilla.**
3. Asegure la cuchilla 33 en una prensa 35.
4. Use guantes y protección adecuada para los ojos y tenga cuidado de no cortarse.


- Con cuidado, limpie los bordes de corte de la cuchilla con una lima de dientes finos **36** (no incluido) o piedra para afilar (no incluido), manteniendo el ángulo del borde de corte original.
- Verifique el balance de la cuchilla. Vea las instrucciones para **Balanceo de la cuchilla**.
- Reemplace la cuchilla en la podadora y apriete firmemente.

Balanceo de la Cuchilla (Fig. S)

Verifique el equilibrio de la cuchilla **33** colocando el orificio central en la cuchilla sobre un clavo o destornillador redondo **37**, sujeto horizontalmente en una prensa **35**. Si cualquiera de los extremos de la cuchilla gira hacia abajo, lime a lo largo del borde afilado de ese extremo de caída. La cuchilla está correctamente equilibrada cuando ninguno de los extremos cae.

Limpieza (Fig. A)

 **ADVERTENCIA:** *Sople la suciedad y polvo de todas las ventilas de aire con aire limpio y seco por lo menos una vez a la semana. Para minimizar el riesgo de lesiones oculares, siempre use protección para los ojos ANSI Z87.1 (CAN/CSA Z94.3) y protección respiratoria aprobada por NIOSH/OSHA/MSHA cuando realice esto.*


 **ADVERTENCIA:** *Nunca use solventes u otros químicos fuertes para limpiar las partes no metálicas de la herramienta. Estos químicos pueden debilitar los materiales plásticos usados en estas partes. Use una tela humedecida únicamente con agua y jabón suave. Nunca permita que entre líquido a la herramienta; nunca sumerja ninguna parte de la herramienta en líquido.*

Suelte la manija de travesaño **5** para apagar la podadora, deje que la cuchilla se detenga y luego retire las baterías y la llave de seguridad. Limpie los recortes que puedan haberse acumulado en la parte inferior de la plataforma. No rocíe agua u otros líquidos. Después de varios usos, verifique que todos los sujetadores expuestos estén apretados.

Corrosión (Fig. A)

Los fertilizantes y otros productos químicos para el jardín contienen agentes que aceleran en gran medida la corrosión de los metales. Si corta en áreas donde se han usado fertilizantes o productos químicos, la podadora se debe limpiar inmediatamente después de la siguiente manera:


Suelte la manija de travesaño **5** para apagar la podadora y retire la batería y la llave de seguridad. Limpie todas las partes expuestas con un paño húmedo.

 **ATENCIÓN:** *No vierta ni rocíe agua sobre la podadora para intentar limpiarla. No guarde la herramienta en o junto a fertilizantes o productos químicos. Tal almacenamiento puede causar una corrosión rápida.*

Cumple con los Requisitos de Seguridad de CPSC

Las podadoras DEWALT cumplen con las normas de seguridad del American National Standards Institute y la Comisión de Seguridad de los Productos del Consumidor de EUA. La cuchilla gira cuando el motor de la cuchilla está en operación.


Accesorios

 **ADVERTENCIA:** *Ya que los accesorios, diferentes a los ofrecidos por DEWALT, no han sido probados con este producto, el uso de tales accesorios con esta herramienta podría ser peligroso. Para reducir el riesgo de lesiones, sólo se deben usar accesorios recomendados por DEWALT con este producto.*

Los accesorios recomendados para uso con su herramienta están disponibles para un costo adicional a partir de su distribuidor local o centro de servicio autorizado. Si necesita asistencia para localizar cualquier accesorio, póngase en contacto con DEWALT llame al 1-800-4-DEWALT (1-800-433-9258) o visite nuestro sitio web: www.dewalt.com.

Reparaciones

El Cargador y las unidades de batería no pueden ser reparados. El cargador y la unidad de batería no contienen piezas reparables.

 **ADVERTENCIA:** *Para asegurar la SEGURIDAD y la CONFIABILIDAD del producto, las reparaciones, el mantenimiento y los ajustes (inclusive la inspección y el cambio de las escobillas, cuando proceda) deben ser realizados en un centro de mantenimiento en la fábrica DEWALT u en un centro de mantenimiento autorizado DEWALT. Utilice siempre piezas de repuesto idénticas.*

Para reparación y servicio de sus herramientas eléctricas, favor de dirigirse al Centro de Servicio más cercano

CULIACAN, SIN

Bldv. Emiliano Zapata 5400-1 Poniente Col. (667) 717 89 99 San Rafael

GUADALAJARA, JAL

Av. La Paz #1779 - Col. Americana Sector (33) 3825 6978 Juárez

MEXICO, D.F.

Eje Central Lázaro Cárdenas No. 18 - Local (55) 5588 9377 D, Col. Obrera

MERIDA, YUC

Calle 63 #459-A - Col. Centro (999) 928 5038

MONTERREY, N.L.

Av. Francisco I. Madero 831 Poniente - Col. (818) 375 23 13 Centro

PUEBLA, PUE

17 Norte #205 - Col. Centro (222) 246 3714

QUERETARO, QRO

Av. San Roque 274 - Col. San Gregorio (442) 2 17 63 14

SAN LUIS POTOSI, SLP

Av. Universidad 1525 - Col. San Luis (444) 814 2383

TORREON, COAH

Blvd. Independencia, 96 Pte. - Col. Centro (871) 716 5265

VERACRUZ, VER

Prolongación Díaz Mirón #4280 - Col. Remes (229) 921 7016

VILLAHERMOSA, TAB

Constitución 516-A - Col. Centro (993) 312 5111

PARA OTRAS LOCALIDADES:**Si se encuentra en México, por favor llame al (55) 5326 7100****Si se encuentra en U.S., por favor llame al 1-800-4-DeWALT (1-800-433-9258) o visite nuestro sitio web: www.dewalt.com****Póliza de Garantía**

IDENTIFICACIÓN DEL PRODUCTO:

Sello o firma del Distribuidor.

Nombre del producto: _____

Mod./Cat.: _____

Marca: _____

Núm. de serie: _____

(Datos para ser llenados por el distribuidor)

Fecha de compra y/o entrega del producto: _____

Nombre y domicilio del distribuidor donde se adquirió el producto: _____

Este producto está garantizado por un año a partir de la fecha de entrega, contra cualquier defecto en su funcionamiento, así como en materiales y mano de obra empleados para su fabricación. Nuestra garantía incluye la reparación o reposición del producto y/o componentes sin cargo alguno para el cliente, incluyendo mano de obra, así como los gastos de transportación razonablemente erogados derivados del cumplimiento de este certificado.

Para hacer efectiva esta garantía deberá presentar su herramienta y esta póliza sellada por el establecimiento comercial donde se adquirió el producto, de no contar con ésta, bastará la factura de compra.

Excepciones

Esta garantía no será válida en los siguientes casos:

- Cuando el producto se hubiese utilizado en condiciones distintas a las normales;
- Cuando el producto no hubiese sido operado de acuerdo con el instructivo de uso que se acompaña;
- Cuando el producto hubiese sido alterado o reparado por personas distintas a las enlistadas al final de este certificado.

Anexo encontrará una relación de sucursales de servicio de fábrica, centros de servicio autorizados y franquiciados en la

República Mexicana, donde podrá hacer efectiva su garantía y adquirir partes, refacciones y accesorios originales.

Solamente para propósito de México:

Impulsado por: Black and Decker S.A de C.V.

Antonio Dovali Jaime #70 Torre C Piso 8

Col. Santa Fe Alvaro Obregón,

Ciudad de México, México.

C.P 01210

TEL (52) 55 53267100 R.F.C.BDE8106261W7

Registro en Línea

Gracias por su compra. Registre su producto ahora para:

- **SERVICIO EN GARANTÍA:** Si completa esta tarjeta, podrá obtener un servicio en garantía más eficiente, en caso de que exista un problema con su producto.
- **CONFIRMACIÓN DE PROPIEDAD:** En caso de una pérdida que cubra el seguro, como un incendio, una inundación o un robo, el registro de propiedad servirá como comprobante de compra.
- **PARA SU SEGURIDAD:** Si registra el producto, podremos comunicarnos con usted en el caso improbable que se deba enviar una notificación de seguridad conforme a la Federal Consumer Safety Act (Ley Federal de Seguridad de Productos para el Consumidor).
- Registro en línea en www.dewalt.com.

Garantía Limitada por Tres Años

DeWALT reparará o reemplazará, sin cargo, cualquier defecto debido a materiales o mano de obra defectuosos por tres años desde la fecha de compra (dos años para las baterías). Esta garantía no cubre falla de partes debido al desgaste normal o abuso de la herramienta. Para detalles adicionales de la cobertura de la garantía e información de reparación de garantía, visite www.dewalt.com o llame al 1-800-4-DeWALT (1-800-433-9258). Esta garantía no se aplica a accesorios o daño causado cuando otros hayan realizado o intentado reparaciones. ESTA GARANTÍA LIMITADA SE OTORGA EN LUGAR DE TODAS LAS DEMÁS, INCLUIDA LA GARANTÍA IMPLÍCITA DE COMERCIABILIDAD E IDONEIDAD PARA UN PROPÓSITO EN PARTICULAR, Y EXCLUYE TODOS LOS DAÑOS INCIDENTALES O EN CONSECUCENCIA. Algunos estados no permiten limitaciones sobre la duración de una garantía implícita o la exclusión o limitación de daños incidentales o en consecuencia, por lo que estas limitaciones pueden no aplicarse en su caso. Esta garantía le da derechos legales específicos y puede tener otros derechos que varían en ciertos estados o provincias.

Además de la garantía, las herramientas DeWALT están cubiertas por:

1 AÑO DE SERVICIO GRATUITO

DeWALT mantendrá la herramienta y reemplazará las piezas gastadas por su uso normal, sin cobro, en cualquier momento durante un año a contar de la fecha de compra

2 AÑOS DE SERVICIO GRATUITO PARA UNIDADES DE ALIMENTACIÓN DeWALT

DC9071, DC9091, DC9096, DC9182, DC9280, DC9360,
DCB120, DCB122, DCB124, DCB127, DCB201, DCB203BT,
DCB207, DCB361

3 AÑOS DE SERVICIO GRATUITO PARA UNIDADES DE ALIMENTACIÓN DeWALT

DCB200, DCB203, DCB204, DCB204BT, DCB205, DCB205BT,
DCB206, DCB208, DCB230, DCB240, DCB606, DCB609,
DCB612, DCB615

NOTA: La garantía del producto quedará nula si la unidad de batería ha sido alterada de cualquier manera. DeWALT no es responsable de ninguna lesión causada por alteraciones y podría iniciar un procedimiento judicial por fraude de garantía hasta el máximo grado permisible por la ley.

GARANTÍA DE REEMBOLSO DE SU DINERO POR 90 DÍAS

Si no está completamente satisfecho con el desempeño de su máquina herramienta o clavadora DeWALT, cualquiera sea el motivo, podrá devolverlo hasta 90 días de la fecha de compra con su recibo y obtener el reembolso completo de su dinero – sin necesidad de responder a ninguna pregunta.

AMÉRICA LATINA: Esta garantía no se aplica a los productos que se venden en América Latina. Para los productos que se venden en América Latina, debe consultar la información de la garantía específica del país que viene en el empaque, llamar a la compañía local o visitar el sitio Web a fin de obtener esa información.

REEMPLAZO GRATUITO DE LAS ETIQUETAS DE

ADVERTENCIAS: Si sus etiquetas de advertencia se vuelven ilegibles o faltan, llame al 1-800-4-DeWALT (1-800-433-9258) para que se le reemplacen gratuitamente.

**Compatible battery packs and chargers / Blocs-piles et chargeurs compatibles /
Baterías y cargadores compatibles**

20V Max* Li-Ion	Battery Packs Blocs-piles Baterías	DCB200, DCB201, DCB203, DCB204, DCB204BT**, DCB205, DCB205BT**, DCB206, DCB208, DCB230, DCB240
	Chargers Chargeurs Cargadores	DCB103, DCB104, DCB107, DCB112, DCB113, DCB115, DCB118, DCB132, DCB1106, DCB1112

60V Max* Li-Ion	Battery Packs Blocs-piles Baterías	DCB606, DCB609, DCB612
	Chargers Chargeurs Cargadores	DCB103, DCB104, DCB107, DCB112, DCB113, DCB115, DCB118, DCB132, DCB1106, DCB1112

* Maximum initial battery voltage (measured without a workload) is 20, 60 or 120 volts. Nominal voltage is 18, 54 or 108. (120V Max* is based on using 2 DeWALT 60V Max* lithium-ion batteries combined.)

* La tension initiale maximum du bloc-piles (mesurée à vide) est de 20, 60 ou 120 volts. La tension nominale est de 18, 54 ou 108. (120 V max* se base sur l'utilisation combinée de 2 blocs-piles au lithium ion DEWALT de 60 V max*).

* El máximo voltaje inicial de la batería (medido sin carga de trabajo) es 20 o 60 voltios. El voltaje nominal es de 18, 54 o 108 V. (120 V Máx* se basan en el uso de 2 baterías de iones de litio DEWALT de 60 V Máx* combinadas.)

**BT - Bluetooth®

NOTE: The Bluetooth® word mark and logos are registered trademarks owned by the Bluetooth®, SIG, Inc. and any use of such marks by DeWALT is under license. Other trademarks and trade names are those of their respective owners.

REMARQUE : le mot servant de marque et les logos Bluetooth® sont des marques déposées appartenant à Bluetooth SIG, Inc. et toute utilisation de ces marques par DeWALT est sous licence. Les autres marques de commerce et noms commerciaux sont ceux de leurs détenteurs respectifs.

NOTA: La palabra y los logotipos de Bluetooth® son marcas registradas propiedad de Bluetooth®, SIG, Inc. y DeWALT utiliza dichas marcas bajo licencia. Otras marcas comerciales y nombres comerciales pertenecen a sus respectivos propietarios.



WARNING: Use of any other battery packs may create a risk of injury and fire.



AVERTISSEMENT : utiliser d'autres blocs-piles peut créer un risque de blessure ou d'incendie.



ADVERTENCIA: El uso de cualquier otro paquete de batería puede crear un riesgo de lesiones e incendio.

DeWALT Industrial Tool Co. 701 East Joppa Road, Towson, MD 21286
Copyright © 2021

The following are trademarks for one or more DeWALT power tools: the yellow and black color scheme, the "D" shaped air intake grill, the array of pyramids on the handgrip, the kit box configuration, and the array of lozenge-shaped humps on the surface of the tool.