

If you have questions or comments, contact us.  
 Pour toute question ou tout commentaire, nous contacter.  
 Si tiene dudas o comentarios, contáctenos.

1-800-4-DEWALT • www.dewalt.com

INSTRUCTION MANUAL  
 GUIDE D'UTILISATION  
 MANUAL DE INSTRUCCIONES

INSTRUCTIVO DE OPERACIÓN, CENTROS DE SERVICIO Y PÓLIZA  
 DE GARANTÍA. ADVERTENCIA: LEASE ESTE INSTRUCTIVO  
 ANTES DE USAR EL PRODUCTO.

# DEWALT®

DW138, DW138-220, DW139  
 3/4" and 5/8" (13mm and 17mm) Spade Handle Drills  
 Perceuses de 13 mm et 17mm (3/4 et 5/8 po) à poignée-bêche  
 Taladros 13 mm y 17mm (3/4" y 5/8") Mango tipo espada

DEWALT Industrial Tool Co., 701 East Joppa Road, Baltimore, MD 21286  
 (OCT05) Form No. 637575-00 DW138, DW138-220, DW139  
 Copyright © 1998, 2002, 2003, 2005 DEWALT

The following are trademarks for one or more DEWALT power tools: the yellow and black color scheme; the "D" shaped air intake grill; the array of pyramids on the handgrip; the kit box configuration; and the array of lozenge-shaped humps on the surface of the tool.

IF YOU HAVE ANY QUESTIONS OR COMMENTS ABOUT THIS OR ANY DEWALT TOOL,  
 CALL US TOLL FREE AT: 1-800-4-DEWALT (1-800-433-9258)

## Important Safety Instructions

**WARNING:** When using electric tools, basic safety precautions should always be followed to reduce risk of fire, electric shock, and personal injury, including the following:

### READ ALL INSTRUCTIONS

#### Safety Instructions For All Tools

- **KEEP WORK AREA CLEAN.** Cluttered areas and benches invite injuries.
- **CONSIDER WORK AREA ENVIRONMENT.** Don't expose power tools to rain. Don't use power tools in damp or wet locations. Keep work area well lit. Do not use tool in presence of flammable liquids or gases.
- **GUARD AGAINST ELECTRIC SHOCK.** Prevent body contact with grounded surfaces. For example; pipes, radiators, ranges, and refrigerator enclosures.
- **KEEP CHILDREN AWAY.** Do not let visitors contact tool or extension cord. All visitors should be kept away from work area.
- **STORE IDLE TOOLS.** When not in use, tools should be stored in dry, and high or locked-up place — out of reach of children.
- **DON'T FORCE TOOL.** It will do the job better and safer at the rate for which it was intended.
- **USE RIGHT TOOL.** Don't force small tool or attachment to do the job of a heavy-duty tool. Don't use tool for purpose not intended.
- **DRESS PROPERLY.** Do not wear loose clothing or jewelry. They can be caught in moving parts. Rubber gloves and non-skid footwear are recommended when working outdoors. Wear protective hair covering to contain long hair. Air vents often cover moving parts and should also be avoided.
- **USE SAFETY GLASSES.** Also use face or dust mask if operation is dusty.
- **DON'T ABUSE CORD.** Never carry tool by cord or yank it to disconnect from receptacle. Keep cord from heat, oil, and sharp edges.
- **SECURE WORK.** Use clamps or a vise to hold work. It's safer than using your hand and it frees both hands to operate tool.
- **DON'T OVERREACH.** Keep proper footing and balance at all times.
- **MAINTAIN TOOLS WITH CARE.** Keep tools sharp and clean for better and safer performance. Follow instructions for lubricating and changing accessories. Inspect tool cords periodically and if damaged, have repaired by authorized service facility. Inspect extension cords periodically and replace if damaged. Keep handles dry, clean, and free from oil and grease.
- **DISCONNECT OR LOCK OFF TOOLS** when not in use, before servicing, and when changing accessories, such as blades, bits, cutters.
- **REMOVE ADJUSTING KEYS AND WRENCHES.** Form habit of checking to see that keys and adjusting wrenches are removed from tool before turning it on.
- **AVOID UNINTENTIONAL STARTING.** Don't carry tool with finger on switch. Be sure switch is off when plugging in.
- **EXTENSION CORDS.** Use only 3-wire extension cords that have 3-prong grounding-type plugs and 3-pole receptacles that accept the tool's plug. Replace or repair damaged cords. Make sure your extension cord is in good condition. When using an extension cord, be sure to use one heavy enough to carry the current your product will draw. An undersized cord will cause a drop in line voltage resulting in loss of power and overheating. The following table shows the correct size to use depending on cord length and nameplate ampere rating. If in doubt, use the next heavier gage. The smaller the gage number, the heavier the cord.

Volts	Minimum Gage for Cord Sets			
	Total Length of Cord in Feet			
120V	0-25	26-50	51-100	101-150
240V	0-50	51-100	101-200	201-300
Ampere Rating		AWG		
More Than	Not more Than			
6	10	18	16	14
10	12	16	16	14

- **OUTDOOR USE EXTENSION CORDS.** When tool is used outdoors, use only extension cords intended for use outdoors and so marked.
- **STAY ALERT.** Watch what you are doing. Use common sense. Do not operate tool when you are tired.
- **CHECK DAMAGED PARTS.** Before further use of the tool, a guard or other part that is damaged should be carefully checked to determine that it will operate properly and perform its intended function. Check for alignment of moving parts, binding of moving parts, breakage of parts, mounting, and any other conditions that may affect its operation. A guard or other part that is damaged should be properly repaired or replaced by an authorized service center unless otherwise indicated elsewhere in this instruction manual. Have defective switches replaced by authorized service center. Do not use tool if switch does not turn it on and off.

**CAUTION:** Wear appropriate personal hearing protection during use. Under some conditions and duration of use, noise from this product may contribute to hearing loss.

**CAUTION:** When drilling or driving into walls, floors or wherever live electrical wires may be encountered, DO NOT TOUCH ANY METAL PARTS OF THE TOOL! Hold the tool only by insulated grasping surfaces to prevent electric shock if you drill or drive into a live wire.

**WARNING:** Some dust created by power sanding, sawing, grinding, drilling, and other construction activities contains chemicals known to cause cancer, birth defects or other reproductive harm. Some examples of these chemicals are:

- lead from lead-based paints,
- crystalline silica from bricks and cement and other masonry products, and
- arsenic and chromium from chemically-treated lumber (CCA).

Your risk from these exposures varies, depending on how often you do this type of work. To reduce your exposure to these chemicals: work in a well ventilated area, and work with approved safety equipment, such as those dust masks that are specially designed to filter out microscopic particles.

- **Avoid prolonged contact with dust from power sanding, sawing, grinding, drilling, and other construction activities.** Wear protective clothing and wash exposed areas with soap and water. Allowing dust to get into your mouth, eyes, or lay on the skin may promote absorption of harmful chemicals.

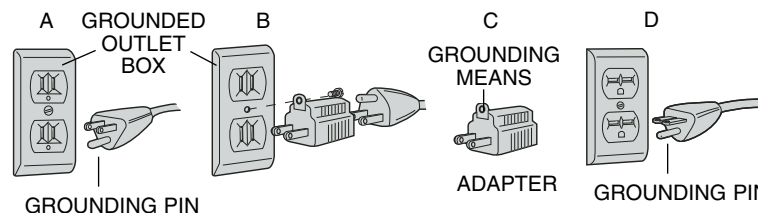
**WARNING:** Use of this tool can generate and/or disburse dust, which may cause serious and permanent respiratory or other injury. Always use NIOSH/OSHA approved respiratory protection appropriate for the dust exposure. Direct particles away from face and body.

- The label on your tool may include the following symbols.

V.....volts	A.....amperes
Hz.....hertz	W.....watts
min.....minutes	~.....alternating current
—.....direct current	n0.....no load speed
□.....Class II Construction	.../min.....revolutions or reciprocation per minute
⊕.....earthing terminal	▲.....safety alert symbol

## Grounding Instructions

This tool should be grounded while in use to protect the operator from electric shock. The tool is equipped with a 3-conductor cord and 3-prong grounding type plug to fit the proper grounding type receptacle. The green (or green and yellow) conductor in the cord is the grounding wire. Never connect the green (or green and yellow) wire to a live terminal. If your unit is intended for use on less than 150 V, it has a plug that looks like that shown in sketch A. If it is for use on 150 to 250 V, it has a plug that looks like that shown in sketch D. An adapter, sketches B and C, is available for connecting sketch A type plugs to 2-prong receptacles. The green-colored rigid ear, lug, or the like, extending from the adapter must be connected to a permanent ground, such as a properly grounded outlet box. No adapter is available for a plug as shown in sketch D. ADAPTER SHOWN IN FIGURES B AND C IS NOT FOR USE IN CANADA.



## SAVE THESE INSTRUCTIONS

### Motor

Your DEWALT tool is powered by a DEWALT built motor. Be sure your power supply agrees with the nameplate marking. The markings; 120 volts, 50/60 Hz or "AC/DC", mean that your drill will operate on alternating or direct current. Voltage decrease of more than 10% will cause loss of power and overheating. All DEWALT tools are factory tested; if this tool does not operate, check the power supply.

### Side Handle

To install the side handle, use the metal plate, four screws and four lock washers included with the unit. Install the plate with the screws as shown in Figure 1. Tighten all screws securely. Screw the threaded end of the side handle into the plate and tighten securely.

**CAUTION:** Always use and hold firmly the side handle or spade handle. This is a high-torque drill: always hold it with both hands when operating. The side handle screws into the large hole in the top of the tool.

### Switch

To turn the tool ON, depress the trigger switch. To turn the tool OFF, release the trigger switch. (See Figure 2).

The toggle switch above the trigger is the **reversing switch**. Switch this toggle only when the tool is not running or coasting. After reversing operations are completed, switch the toggle back to forward position.

To lock the tool ON, depress the trigger and push in the **lock button**. Then, while holding the lock button in position, gently release the trigger. To release locking mechanism, depress trigger fully, then release it. Do not lock the switch ON when drilling by hand so that you can instantly release the trigger switch if the bit binds in the hole. The locking feature is for use when the drill is mounted in a drill stand or otherwise firmly held. THE LOCKING FEATURE IS NOT FOR USE WHEN DRILLING BY HAND. Be sure to release the switch lock button before disconnecting the tool from the power supply. Failure to do so will cause the tool to start immediately the next time it is plugged in. Damage or injury could result.

For reversing operation, turn the tool off and wait for it to stop coasting. Grasp the reversing ring (Fig. 3) and turn it counterclockwise until the raised indicator aligns with the word REVERSE.

### Chuck

**To insert bit,** open chuck jaws by turning collar with fingers and insert shank of bit about 3/4" (19mm) into chuck. Tighten chuck collar by hand. Place chuck key in each of the three holes and tighten in clockwise direction. It's important to tighten chuck with all three holes. **To release bit,** turn chuck key counterclockwise in just one hole, then loosen the chuck by hand.

### Chuck Removal

1. turn off tool and DISCONNECT FROM POWER SUPPLY.
2. Place chuck key in chuck.



- Using a wooden mallet or similar object, strike key sharply in a clockwise direction. This will loosen screw inside chuck.
- Open chuck jaws fully. Insert screwdriver (or 3/16", 5mm, hex wrench if required) into front of chuck between jaws to engage screw head.
- Remove screw by turning clockwise (left-hand thread).
- Place key in chuck.
- Using a wooden mallet or similar object, strike key sharply in a counterclockwise direction (Fig. 4). This will loosen chuck so that it can be unscrewed by hand.

## Drilling

- Always turn off tool and disconnect from power supply when attaching or changing bits or accessories.
- Use sharp drill bits only. For WOOD, use twist drill bits, spade bits, power auger bits, or hole saws. For METAL, use high speed steel twist drill bits or hole saws. For MASONRY, such as brick, cement, cinder block, etc., use carbide-tipped bits.
- Be sure the material to be drilled is anchored or clamped firmly. If drilling thin material, use a "back-up" block to prevent damage to the material.
- Always apply pressure in a straight line with the bit. Use enough pressure to keep the drill bit biting, but do not push hard enough to stall the motor or deflect the bit.
- Hold tool firmly to control the twisting action of the drill.
- IF DRILL STALLS**, it is usually because it is being overloaded. **RELEASE TRIGGER IMMEDIATELY**, remove drill bit from work, and determine cause of stalling. **DO NOT CLICK TRIGGER ON AND OFF IN AN ATTEMPT TO START A STALLED DRILL – THIS CAN DAMAGE THE DRILL.**
- To minimize stalling on breaking through the material, reduce pressure on drill and ease the bit through the last fractional part of the hole.
- Keep the motor running when pulling the bit back out of a drilled hole. This will help prevent jamming.

## DRILLING IN WOOD

Holes in wood can be made with the same twist drills used for metal. These bits may overheat unless pulled out frequently to clear chips from the flutes. For larger holes, use spade bits, power auger bits, or hole saws. Work that is likely to splinter should be backed up with a block of wood.

## DRILLING IN METALS

Use a cutting lubricant when drilling metals. The exceptions are cast iron and brass which should be drilled dry. The cutting lubricants that work best are sulphurised cutting oil or lard oil; bacon grease will also serve the purpose.

## DRILLING IN MASONRY

Use carbide tipped masonry bits at low speeds. Keep even force on the drill but not so much that you crack the brittle materials. A smooth, even flow of dust indicates the proper drilling rate.

## Lubrication

All bearings used are factory lubricated to last the life of the tool. All needle bearings used receive their lubrication from the grease in the gear case. Clean and relubricate gear case yearly or whenever servicing requires the gear case to be removed. Use type and quantity of grease shown on Parts Bulletin packed with your tool.

Gear case is removed by removing the three screws from the front of the tool. If the chuck is too large to permit removal of the two top screws, see instructions for chuck removal.

## Motor Brushes

TURN OFF TOOL AND DISCONNECT FROM POWER SUPPLY.

To inspect brushes, unscrew the plastic brush inspection caps (located in the sides of the motor housing) and the spring and brush assemblies may be withdrawn from the tool. Keep brushes clean and sliding freely in their guides. Carbon brushes have varying symbols stamped into them, and if the brush is worn down to a point where the symbol is not visible, they must be replaced. New brush assemblies are available at authorized service centers.

## Accessories

Recommended accessories for use with your tool are available at extra cost from your local dealer or authorized service center. If you need assistance in locating any accessory for your tool, please contact DeWALT Industrial Tool Co., 701 East Joppa Road, Baltimore, MD 21286, call 1-800-4-DEWALT (1-800-433-9258) or visit our website [www.dewalt.com](http://www.dewalt.com).

**CAUTION:** The use of any other accessory not recommended for use with this tool could be hazardous.

For safety in use, the following accessories should be used only in sizes up to the maximums shown in the table below.

### MAXIMUM RECOMMENDED CAPACITIES

Drill Capacity RPM	1/2"	13mm	1/2"	13mm
Steel twist bit	0-450	13mm	0-1000	13mm
Auger	1-1/2"	38mm	1-1/2"	38mm
Self-feed	3"	76mm	1-3/4"	45mm
Spade	1-1/2"	38mm	1-1/2"	38mm
Wood holesaw	5"	127mm	3"	76mm
Steel holesaw	4"	102mm	1-1/2"	38mm

ACCESSORY MUST BE RATED FOR USE AT SPEED EQUAL TO OR HIGHER THAN NAME-PLATE RPM OF TOOL WITH WHICH IT IS BEING USED.

## Repairs

To assure product SAFETY and RELIABILITY, repairs, maintenance and adjustment (including brush inspection and replacement) should be performed by a DeWALT factory service center, a DeWALT authorized service center or other qualified service personnel. Always use identical replacement parts.

## Three Year Limited Warranty

DeWALT will repair, without charge, any defects due to faulty materials or workmanship for three years from the date of purchase. This warranty does not cover part failure due to normal wear or tool abuse. For further detail of warranty coverage and warranty repair information, visit [www.dewalt.com](http://www.dewalt.com) or call 1-800-4-DEWALT (1-800-433-9258). This warranty does not apply to accessories or damage caused where repairs have been made or attempted by others. This warranty gives you specific legal rights and you may have other rights which vary in certain states or provinces.

In addition to the warranty, DeWALT tools are covered by our:

### 1 YEAR FREE SERVICE

DeWALT will maintain the tool and replace worn parts caused by normal use, for free, any time during the first year after purchase.

### 90 DAY MONEY BACK GUARANTEE

If you are not completely satisfied with the performance of your DeWALT Power Tool, Laser, or Nailer for any reason, you can return it within 90 days from the date of purchase with a receipt for a full refund – no questions asked.

**LATIN AMERICA:** This warranty does not apply to products sold in Latin America. For products sold in Latin America, see country specific warranty information contained either in the packaging, call the local company or see website for warranty information.

**RECONDITIONED PRODUCT:** Reconditioned product is covered under the 1 Year Free Service Warranty. The 90 Day Money Back Guarantee and the Three Year Limited Warranty do not apply to reconditioned product.

**FREE WARNING LABEL REPLACEMENT:** If your warning labels become illegible or are missing, call 1-800-4-DEWALT for a free replacement.

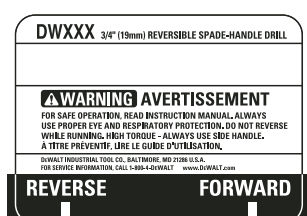


FIG. 1

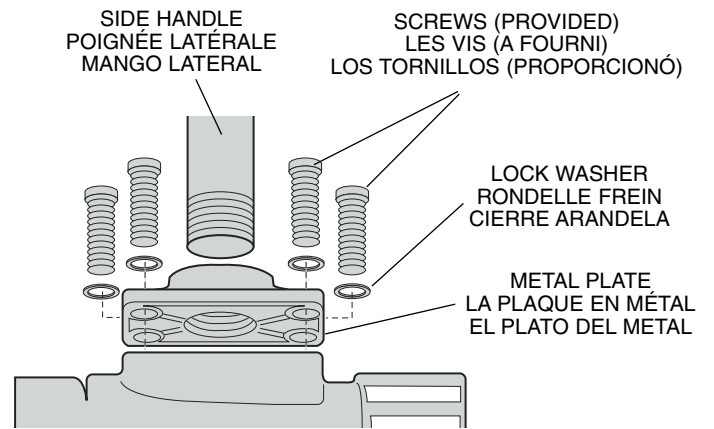


FIG. 2

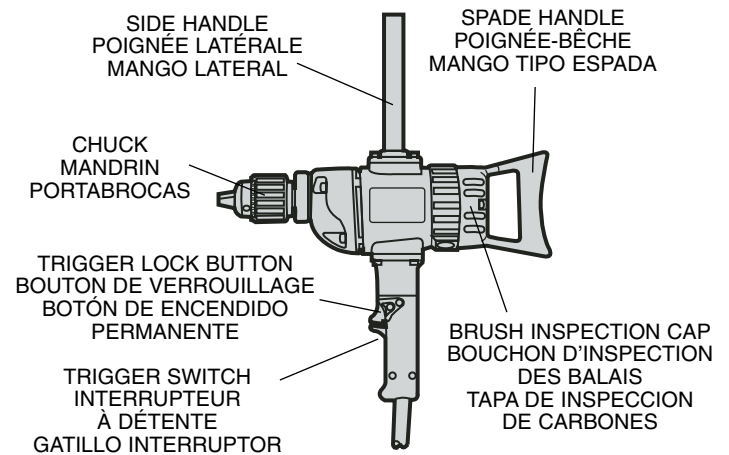


FIG. 3

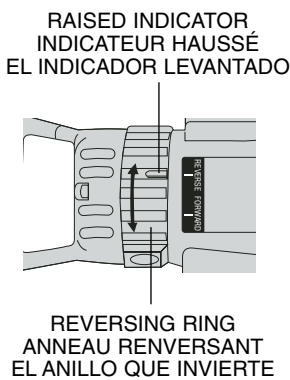


FIG. 4

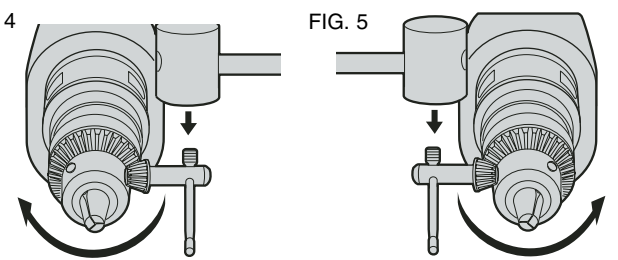
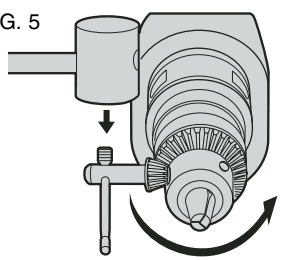


FIG. 5



POUR TOUT RENSEIGNEMENT SUPPLÉMENTAIRE SUR CET OUTIL OU TOUT AUTRE OUTIL DEWALT, COMPOSER SANS FRAIS LE NUMÉRO:  
**1 800 4-DEWALT (1 800 433-9258)**

## Importantes mesures de sécurité

**AVERTISSEMENT :** Afin de réduire les risques d'incendie, de secousses électriques ou de blessures lorsqu'on utilise des outils électriques, il faut toujours respecter les mesures de sécurité suivantes.

### LIRE TOUTES LES DIRECTIVES.

## Mesures de sécurité pour tous les outils

- BIEN DÉGAGER LA SURFACE DE TRAVAIL.** Des surfaces et des établis encombrés peuvent être la cause de blessures.
- TENIR COMPTE DU MILIEU DE TRAVAIL.** Protéger les outils électriques de la pluie. Ne pas s'en servir dans des endroits humides ou mouillés. Bien éclairer la surface de travail. Ne pas se servir de l'outil en présence de liquides ou de vapeurs inflammables.
- SE PROTÉGER CONTRE LES SECOUSSES ÉLECTRIQUES.** Éviter tout contact avec des objets mis à la terre, comme des tuyaux, radiateurs, cuisinières, réfrigérateurs et autres objets du genre.
- ÉLOIGNER LES ENFANTS.** Tous les visiteurs doivent être tenus à l'écart de l'aire de travail et il faut les empêcher de toucher à l'outil ou au cordon de rallonge.
- RANGER LES OUTILS INUTILISÉS.** Il faut ranger les outils dans un endroit sec, situé en hauteur ou fermé à clé, hors de la portée des enfants.
- NE JAMAIS FORCER L'OUTIL.** Afin d'obtenir un rendement sûr et efficace, utiliser l'outil à son rendement nominal.
- UTILISER L'OUTIL APPROPRIÉ.** Ne jamais exiger d'un petit outil ou d'un accessoire le rendement d'un outil de fabrication plus robuste. Se servir de l'outil selon l'usage prévu.
- PORTER DES VÊTEMENTS APPROPRIÉS.** Éviter de porter des vêtements amples et des bijoux qui peuvent être happés par les pièces en mouvement. Porter des gants de caoutchouc et des chaussures à semelle antidérapante pour travailler à l'extérieur. Protéger la chevelure si elle est longue.
- PORTER DES LUNETTES DE SÉCURITÉ.** Porter également un masque respiratoire si le travail de coupe produit de la poussière.
- NE PAS MANIPULER LE CORDON DE FAÇON ABUSIVE.** Ne pas transporter l'outil par le cordon ni tirer sur ce dernier pour le débrancher de la prise. Éloigner le cordon des sources de chaleur, des flaque d'huile et des arêtes tranchantes.
- ASSUJETIR LA PIÈCE.** Immobiliser la pièce à l'aide de brides ou d'un étau. On peut alors se servir des deux mains pour faire fonctionner l'outil, ce qui est plus sûr.
- NE PAS DÉPASSER SA PORTÉE.** Toujours demeurer dans une position stable et garder son équilibre.
- PRENDRE SOIN DES OUTILS.** Conserver les outils propres pour qu'ils donnent un rendement supérieur et sûr. Suivre les directives concernant la lubrification et le remplacement des accessoires. Inspecter régulièrement le cordon de l'outil et le faire réparer au besoin à un atelier d'entretien autorisé. Inspecter régulièrement les cordons de rallonge et les remplacer lorsqu'ils sont endommagés. S'assurer que les poignées sont toujours propres, sèches et libres de toute tache d'huile ou de graisse.
- DÉBRANCHER OU VERROUILLER EN POSITION HORS TENSION LES OUTILS NON UTILISÉS.** Respecter cette mesure lorsqu'on ne se sert pas de l'outil, ou qu'on doit le réparer ou en changer un accessoire (comme une lame, un foret ou un couteau).
- ENLEVER LES CLÉS DE RÉGLAGE.** Prendre l'habitude de vérifier si les clés de réglage ont été retirées avant de faire démarrer l'outil.
- ÉVITER LES DÉMARRAGES ACCIDENTELS.** Ne pas laisser le doigt sur l'interrupteur lorsqu'on transporte l'outil. S'assurer que l'interrupteur est à la position hors circuit lorsqu'on branche l'outil.
- CORDONS DE RALLONGE.** S'assurer que le cordon de rallonge est en bon état. Lorsqu'on se sert d'un cordon de rallonge, s'assurer qu'il est de calibre approprié pour la tension nécessaire au fonctionnement de l'outil. L'utilisation d'un cordon de calibre inférieur occasionne une baisse de tension entraînant une perte de puissance et la surchauffe. Le tableau suiv-



ant indique le calibre approprié selon la longueur du cordon et les mentions de la plaque signalétique de l'outil. En cas de doute, utiliser un cordon de calibre supérieur. Le chiffre indiquant le calibre est inversement proportionnel au calibre du cordon.

#### Calibre minimal des cordons de rallonge

Tension	Longueur totale du cordon en pieds			
120 V	0-25	26-50	51-100	101-150
240 V	0-50	51-100	101-200	201-300

Intensité (A)		Calibre moyen de fil (AWG)			
Au moins	Au plus				
6	10	18	16	14	12
10	12	16	16	14	12

- **CORDONS DE RALLONGE PRÉVUS POUR L'EXTÉRIEUR.** Lorsque l'outil est utilisé à l'extérieur, ne se servir que d'un cordon de rallonge conçu pour l'extérieur et portant la mention appropriée.
- **DEMEURER VIGILANT.** Travailler avec vigilance et faire preuve de bon sens. Ne pas se servir de l'outil lorsqu'on est fatigué.
- **VÉRIFIER LES PIÈCES ENDOMMAGÉES.** Avant de continuer à utiliser l'outil, il faut vérifier si le protecteur ou toute autre pièce endommagée remplit bien la fonction pour laquelle il a été prévu. Vérifier l'alignement et les attaches des pièces mobiles, le degré d'usure des pièces et leur montage, ainsi que tout autre facteur susceptible de nuire au bon fonctionnement de l'outil. Faire réparer ou remplacer tout protecteur ou toute autre pièce endommagée dans un centre de service autorisé, sauf si le présent guide fait mention d'un avis contraire. Confier le remplacement de tout interrupteur défectueux à un centre de service autorisé. Ne jamais se servir d'un outil dont l'interrupteur est défectueux.

▲ **MISE EN GARDE : Porter un dispositif de protection personnel anti-bruit approprié durant l'utilisation.** Sous certaines conditions et pendant toute la durée de l'utilisation, le bruit émanant de ce produit pourrait contribuer à la perte d'audition.

▲ **MISE EN GARDE : Lorsqu'on perce ou qu'on visse dans les murs, les planchers ou tout autre endroit où peuvent se trouver des fils sous tension, NE PAS TOUCHER AUX COMPOSANTS MÉTALLIQUES DE L'OUTIL.** Ne le saisir que par ses surfaces en plastique afin de se protéger des secousses électriques si on entre en contact avec un fil sous tension.

▲ **AVERTISSEMENT : Certains outils, tels que les sableuses électriques, les scies, les meules, les perceuses ou certains autres outils de construction, peuvent soulever de la poussière contenant des produits chimiques susceptibles d'entraîner le cancer, des malformations congénitales ou pouvant être nocifs pour le système reproductif.** Parmi ces produits chimiques, on retrouve :

- le plomb dans les peintures à base de plomb;
- la silice cristalline dans les briques et le ciment et autres produits de maçonnerie;
- l'arsenic et le chrome dans le bois de sciage ayant subi un traitement chimique (CCA).

Le risque associé à de telles expositions peut varier selon la fréquence avec laquelle on effectue ces travaux. Pour réduire l'exposition à de tels produits, il faut travailler dans un endroit bien ventilé et utiliser l'équipement de sécurité approprié tel un masque anti-poussières spécialement conçu pour filtrer les particules microscopiques.

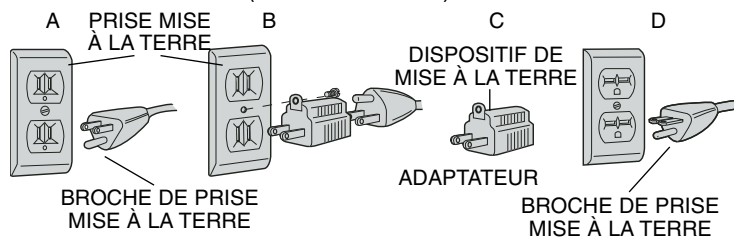
- Éviter tout contact prolongé avec la poussière soulevée par cet outil ou autres outils électriques. Porter des vêtements de protection et nettoyer les parties exposées du corps avec de l'eau savonneuse. S'assurer de bien se protéger afin d'éviter d'absorber par la bouche, les yeux ou la peau des produits chimiques nocifs.

▲ **AVERTISSEMENT : Cet outil peut produire et répandre de la poussière susceptible de causer des dommages sérieux et permanents au système respiratoire.** Toujours utiliser un appareil respiratoire anti-poussières approuvé par le NIOSH ou l'OSHA. Diriger les particules dans le sens opposé du visage et du corps.

- L'étiquette de l'outil peut comporter les symboles suivants.
- |            |                           |            |                              |
|------------|---------------------------|------------|------------------------------|
| V .....    | volts                     | A .....    | ampères                      |
| Hz .....   | hertz                     | W .....    | watts                        |
| /min ..... | minutes                   | ~ .....    | courant alternatif           |
| ----       | courant continu           | n° .....   | sous vide                    |
| □ .....    | construction de classe II | /min ..... | tours ou courses à la minute |
| ⊕ .....    | borne de mise à la terre  | ▲ .....    | symbole d'avertissement      |

## Directives concernant la mise à la terre

Cet outil doit être mis à la terre afin de protéger l'utilisateur contre les risques de choc électrique. Cet outil est doté d'un cordon trifilaire et d'une fiche de terre à trois broches; on doit en raccorder la fiche dans une prise murale appropriée. Le conducteur vert (ou vert et jaune) du cordon est le fil de mise à la terre. Ne jamais raccorder le fil vert (ou vert et jaune) à une borne sous tension. Les outils destinés à être raccordés à un circuit d'alimentation électrique ayant une tension nominale de moins de 150 volts sont en effet munis d'une fiche qui est semblable à celle illustrée à la figure A, alors que ceux destinés à être raccordés à un circuit dont la tension nominale varie entre 150 et 250 volts sont munis d'une fiche qui ressemble à celle illustrée à la figure D. On peut utiliser un adaptateur, comme celui illustré aux figures B et C, pour brancher la fiche de l'outil (figure A) à une prise à deux broches. On doit mettre cet adaptateur à la terre en reliant l'oeillet, la cosse ou tout autre dispositif de couleur verte à un élément mis à la terre de manière permanente, comme une boîte à prises bien mise à la terre. Aucun adaptateur n'est disponible pour une fiche semblable à celle illustrée à la figure D. IL EST CEPENDANT INTERDIT DE SE SERVIR D'UN TEL ADAPTATEUR (FIGURES B ET C) AU CANADA.



## CONSERVER CES MESURES

### Moteur

Un moteur DeWALT actionne l'outil DeWALT. Veiller à ce que la tension d'alimentation soit conforme aux exigences de la plaque signalétique de l'outil. Une baisse de tension de plus de 10 p. 100 entraîne une perte de puissance et la surchauffe. Tous les outils DeWALT sont essayés avant de quitter l'usine. Lorsque celui-ci refuse de fonctionner, vérifier la source de courant électrique.

### Poignée latérale

Pour installer la poignée latérale, utiliser la plaque en métal, quatre vis et quatre rondelles frein incluses avec l'unité. Installer la plaque avec les vis selon la figure 1. Resserrer toutes vis assurément. Visser la fin enfilée de la poignée latérale dans la plaque et resserrer assurément.

▲ **MISE EN GARDE : Toujours utiliser et bien saisir la poignée latérale ou la poignée-bêche.** Il s'agit d'une perceuse à couple élevé; toujours la saisir à deux mains lorsqu'on s'en sert. La poignée latérale se visse dans le gros trou sur le dessus de l'outil.

### Interrupteur

Pour actionner l'outil, enfoncer l'interrupteur à détente. Pour l'arrêter, relâcher l'interrupteur à détente (fig. 2).

L'interrupteur à bascule au-dessus de la détente consiste en l'**inverseur de marche**. Se servir de l'inverseur de marche seulement lorsque l'outil est arrêté. À la fin des travaux en marche arrière, remettre l'inverseur de marche en position avant.

Pour verrouiller l'outil en mode de fonctionnement, enfoncer la détente ainsi que le **bouton de verrouillage**. Puis, tout en maintenant le bouton enfoncé, relâcher doucement la détente. Pour dégager le mécanisme de verrouillage, enfoncer la détente à fond et la relâcher. Ne pas verrouiller l'interrupteur en mode de fonctionnement continu lorsqu'on perce à la main de façon à pouvoir relâcher immédiatement la détente si le foret se coince dans le trou. Utiliser le bouton

de verrouillage seulement lorsque la perceuse est immobilisée dans une presse ou autrement. NE PAS SE SERVIR DU MÉCANISME DE VERROUILLAGE LORSQU'ON PERCE MANUELLEMENT. Veiller à ce que le bouton de verrouillage soit dégagé avant de débrancher l'outil, sinon ce dernier se remettra immédiatement en marche la prochaine qu'on s'en servira et cela présente des risques de dommages et de blessures.

Pour renverser d'opération, éteint l'outil et l'attend d'arrêter coasting. Saisir l'anneau renversant (la fig. 3) et le tourne dans le sens inverse des aiguilles d'une montre jusqu'à ce que l'indicateur haussé aligne avec l'INVERSE de mot.

### Mandrin

**Pour insérer un foret,** ouvrir les mâchoires du mandrin en tournant la bague à la main et y insérer environ 19 mm (3/4 po) de l'arbre du foret. Resserrer la bague du mandrin à la main. Placer la clé du mandrin dans chacun des trois trous et serrer dans le sens horaire. Il est essentiel de bien serrer les trois trous du mandrin. **Pour dégager le foret,** il suffit de faire tourner la clé du mandrin dans le sens antihoraire dans l'un des trous, puis de desserrer le mandrin à la main.

### Retrait du mandrin

1. METTRE L'OUTIL HORS TENSION ET LE DÉBRANCHER.
2. Placer la clé dans le mandrin de la façon montrée à la figure 4.
3. À l'aide d'un maillet de bois ou d'un objet semblable, frapper la clé d'un coup sec dans le sens horaire de façon à desserrer la vis à l'intérieur du mandrin (fig. 4).
4. Ouvrir complètement les mâchoires du mandrin. Insérer un tournevis (ou une clé hexagonale de 3/16 po, le cas échéant) entre les mâchoires du mandrin pour atteindre la tête de la vis.
5. Retirer la vis en la faisant tourner dans le sens horaire (filet à gauche).
6. Placer la clé dans le mandrin.
7. À l'aide d'un maillet de bois ou d'un objet semblable, frapper la clé d'un coup sec dans le sens antihoraire de façon à desserrer le mandrin et de pouvoir le dévisser manuellement (fig. 5).

### Perçage

1. Toujours débrancher l'outil lorsqu'on en change les forets ou les accessoires.
2. N'utiliser que des forets bien affûtés. Pour le BOIS : forets hélicoïdaux, à langue d'aspic, de tarière ou des emporte-pièce; pour le MÉTAL : forets hélicoïdaux en acier de coupe rapide ou des emporte-pièce; pour la MAÇONNERIE (brique, ciment et béton, etc.) : forets au carbure.
3. Veiller à ce que la pièce à percer soit solidement retenue ou fixée en place. Afin d'éviter les avaries aux matériaux minces, les adosser à un bloc de bois épais.
4. Toujours exercer la pression en ligne directe avec le foret. N'user que de la force qu'il faut pour que le foret continue de percer; éviter de trop forcer, ce qui pourrait faire caler le moteur ou dévier le foret.
5. Saisir fermement la perceuse afin de contrer l'effet de torsion de l'outil en marche.
6. **LA PERCEUSE S'ÉTOUFFE** habituellement lorsqu'elle est surchargée ou utilisée de façon inappropriée. **RELÂCHER IMMÉDIATEMENT L'INTERRUPTEUR À DÉTENTE,** retirer le foret du matériau et déterminer la cause du blocage. **ÉVITER DE METTRE EN MARCHÉ ET HORS CIRCUIT L'OUTIL À L'AIDE DE L'INTERRUPTEUR À DÉTENTE DANS LE BUT DE FAIRE DÉMARRER LA PERCEUSE BLOQUÉE, CELA POURRAIT L'ENDOMMAGER.**
7. Afin de minimiser l'étouffement du moteur ou le défoncement de la pièce, réduire la pression et faire avancer plus doucement le foret vers la fin de sa course.
8. Laisser le moteur en marche lorsqu'on retire le foret d'un trou afin d'éviter qu'il se coince.

### PERÇAGE DANS LE BOIS

Les forets hélicoïdaux à métal peuvent servir à percer le bois, mais il faut les retirer souvent du trou pour chasser les copeaux et rognures des goujures afin d'éviter qu'ils ne surchauffent. Pour percer de gros trous, utiliser les forets à langue d'aspic ou à simple spirale, ou des emporte-pièce. Adosser les matériaux friables à un bloc de bois quelconque.

### PERÇAGE DANS LE MÉTAL

Utiliser de l'huile de coupe pour percer dans les métaux, sauf la fonte et le laiton qui se percent à sec. L'huile de coupe la plus efficace est l'huile sulfurisée ou l'huile de lard; la graisse de bacon est parfois suffisante.

### PERÇAGE DANS LA MAÇONNERIE

Utiliser des forets à maçonnerie à basse vitesse. Exercer une pression constante, sans forcer afin d'éviter de casser les matériaux friables. Une production uniforme de poussière à débit moyen indique un perçage convenable.

### Lubrification

Les roulements à billes et les paliers lisses de l'outil ont été lubrifiés en permanence à l'usine. La graisse du boîtier d'engrenages lubrifie les roulements à aiguilles. Il faut nettoyer et lubrifier de nouveau le boîtier d'engrenages annuellement ou lorsque l'entretien nécessite le retrait du boîtier d'engrenages. Utiliser le type et la quantité de graisse mentionnée dans la liste des pièces incluse dans l'emballage.

Pour enlever le boîtier d'engrenages, desserrer les trois vis situées sur le devant de l'outil. Lorsque le mandrin est trop gros pour enlever les deux vis du haut, consulter la rubrique relative au retrait du mandrin.

### Balais du moteur

METTRE L'OUTIL HORS TENSION ET LE DÉBRANCHER.

Pour inspecter les balais, il faut dévisser les bouchons d'inspection des balais (situés sur les côtés du carter du moteur) et retirer le ressort ainsi que les balais de l'outil. S'assurer que les balais sont propres et qu'ils glissent librement dans leurs guides. Différents symboles sont imprimés sur les balais de carbone. Lorsque les symboles sont devenus illisibles, il faut remplacer les balais. On peut se procurer des balais aux centres de service.

### Accessoires

Les accessoires recommandés pour être utilisés avec votre outil sont disponibles chez votre concessionnaire ou le centre de réparation autorisé de votre région. Si vous avez besoin d'assistance pour trouver tout accessoire, veuillez communiquer avec DeWALT Industrial Tool Co., 701 East Joppa Road, Baltimore, MD 21286, États-Unis, composer le 1(800) 4-DEWALT (1-800-433-9258) ou visiter notre site Web à [www.dewalt.com](http://www.dewalt.com).

▲ **MISE EN GARDE : L'utilisation de tout accessoire non recommandé peut être dangereuse.** Par mesure de sécurité, n'utiliser que les accessoires suivants et uniquement ceux ne dépassant pas les dimensions maximales recommandées.

#### CAPACITÉS MAXIMALES RECOMMANDÉES

Capacité de la perceuse	1/2"	13mm	1/2"	13mm
Régime (trs/min)	0-450		0-1000	
Hélicoïdal pour l'acier	1/2 po	13mm	1/2 po	13mm
À simple spirale	1-1/2 po	38mm	1-1/2 po	38mm
À alimentation automatique	3 po	76mm	1-3/4 po	45mm
À langue d'aspic	1-1/2 po	38mm	1-1/2 po	38mm
Emporte-pièce pour le bois	5 po	127mm	3 po	76mm
Emporte-pièce pour l'acier	4 po	102mm	1-1/2 po	38mm

LA VITESSE NOMINALE DES ACCESSOIRES DOIT ÊTRE ÉGALE OU SUPÉRIEURE AU RÉGIME DE L'OUTIL (INDIQUÉ SUR LA PLAQUE SIGNALÉTIQUE DE CE DERNIER) AVEC LEQUEL ILS SONT UTILISÉS.

### Réparations

Pour assurer la SÉCURITÉ et la FIABILITÉ du produit, les réparations, l'entretien et les réglages (y compris l'inspection et le remplacement de la brosse) doivent être réalisés par un centre de réparation en usine DeWALT, un centre de réparation autorisé DeWALT ou par un personnel de réparation professionnel. Toujours utiliser des pièces de rechange identiques.



## Garantía limitada de tres años

DeWALT reparará, sin cargo, cualquier producto defectuoso causado por un defecto de material o de fabricación para un período de tres años a partir de la fecha de compra. La presente garantía no cubre las piezas que no sean defectuosas o que hayan sido dañadas por un uso normal o un uso abusivo de la herramienta. Para obtener más información sobre las piezas o las reparaciones cubiertas por la presente garantía, visite el sitio [www.dewalt.com](http://www.dewalt.com) o llame al 1 800 433-9258 (1 800 4-DEWALT). Esta garantía no se aplica a los accesorios y no cubre los daños causados por reparaciones efectuadas por un tercero. Esta garantía confiere derechos legales particulares al comprador, pero el comprador también puede beneficiarse de otros derechos que varían de un estado o de una provincia a otra.

En adición a la presente garantía, las herramientas DeWALT están cubiertas por:

### CONTRATO DE MANTENIMIENTO GRATUITO DE UN AÑO

DeWALT mantendrá la herramienta y reemplazará las piezas usadas durante el curso de una utilización normal y adecuada, gratuitamente, durante un período de un año a partir de la fecha de compra, y la

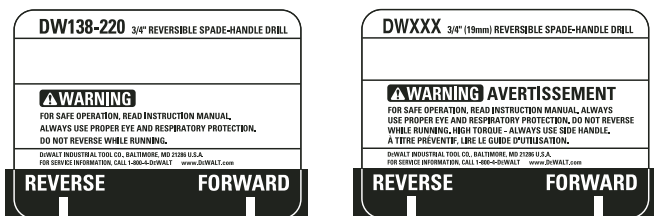
### GARANTÍA DE REEMBOLSO DE 90 DÍAS

Si el comprador no está completamente satisfecho, por cualquier razón que sea, con el rendimiento de la herramienta eléctrica, de la sierra o de la taladradora DeWALT, el comprador puede devolverla, acompañada de un recibo, dentro de los 90 días a partir de la fecha de compra, para obtener un reembolso integral, sin ningún costo.

**AMÉRICA LATINA:** Esta garantía no se aplica a los productos vendidos en América Latina. Para obtener más información sobre esta garantía específica presente en el empaque, llame al representante local o visite el sitio Web para obtener más información sobre esta garantía.

**PRODUCTO RENOVADO:** Todo producto renovado está cubierto por una garantía gratuita de mantenimiento de un año. Las garantías de reembolso de 90 días y la garantía limitada de tres años no se aplican a los productos renovados.

**REEMPLAZAMIENTO GRATUITO DE LA ETIQUETA:** Si las etiquetas de advertencia se vuelven ilegibles o faltan, llame al 1-800-4-DEWALT para obtener una etiqueta de reemplazo gratuita.



## Instrucciones importantes de seguridad

**ADVERTENCIA:** Es indispensable sujetarse a las precauciones básicas de seguridad, con la finalidad de reducir el peligro de incendio, choque eléctrico y lesiones personales, en todas las ocasiones en que se utilicen herramientas eléctricas. Entre estas precauciones se incluyen las siguientes:

### LEA TODAS LAS INSTRUCCIONES

#### Instrucciones de seguridad para todas las herramientas

- CONSERVE LIMPIA LA ZONA DE TRABAJO.** Las superficies y los bancos con objetos acumulados en desorden propician los accidentes.
- OTORGUE PRIORIDAD A LA ZONA DE TRABAJO.** No deje las herramientas eléctricas expuestas a la lluvia. No las utilice en lugares inundados o mojados. Conserve bien iluminada la zona de trabajo. No utilice la herramienta en presencia de líquidos o gases inflamables.
- PROTEJASE CONTRA EL CHOQUE ELÉCTRICO.** Evite el contacto corporal con superficies aterrizadas, por ejemplo, tuberías, radiadores, antenas y gabinetes de refrigeración.
- CONSERVE APARTADOS A LOS NIÑOS.** No permita que los visitantes toquen las herramientas o los cables de extensión. Todos los visitantes deben estar alejados de la zona de trabajo.
- GUARDE LAS HERRAMIENTAS QUE NO EMPLEE.** Las herramientas que no se utilizan deben guardarse en un lugar seco y elevado o bajo llave — fuera del alcance de los niños.
- NO FUERCE LA HERRAMIENTA.** Esta cumplirá su función mejor y con más seguridad a la velocidad y la presión para las que se diseñó.
- EMPLEE LA HERRAMIENTA ADECUADA.** No fuerce a una herramienta pequeña o a sus dispositivos de montaje en un trabajo de tipo pesado. No emplee la herramienta en una tarea para la que no se diseñó.
- VISTASE DE LA MANERA ADECUADA.** No use ropas o artículos de joyería flojos, pues podrían quedar atrapados por las partes móviles de las herramientas. Se recomienda el empleo de guantes de caucho y calzado antiderrapante cuando se trabaje al aire libre. Cúbrase bien la cabeza para sujetarse el cabello si lo tiene largo.
- COLOQUESE ANTEOJOS DE SEGURIDAD.** Póngase también una mascarilla contra el polvo si lo produce la operación que va a efectuar.
- TENGA CUIDADO CON EL CORDÓN ELÉCTRICO.** Nunca levante la herramienta tomándola por el cordón, ni tire de éste para desconectarlo del enchufe. Apártelo del calor y los objetos calientes, las sustancias grasosas y los bordes cortantes.
- ASEGURE LOS OBJETOS SOBRE LOS QUE TRABAJE.** Utilice prensas o tornillos de banco para sujetar los objetos sobre los que va a trabajar. Esto ofrece mayor seguridad que sujetar los objetos con la mano, y además deja libres ambas manos para operar la herramienta.
- CONSERVE EL EQUILIBRIO.** Conserve en todo momento bien apoyados los pies, lo mismo que el equilibrio.
- CUIDE SUS HERRAMIENTAS.** Conserve sus herramientas afiladas y limpias para que funcionen mejor y con mayor seguridad. Siga las instrucciones para lubricación y cambio de accesorios de su unidad. Revise periódicamente el cordón eléctrico y hágalo reparar o reemplazar por un centro de servicio si está dañado. Cambie los cordones de extensión si están dañados. Conserve las empuñaduras secas, limpias y libres de aceite y grasa.
- DESCONECTE Y APAGUE LAS HERRAMIENTAS** cuando no las use, antes de darles servicio y cuando cambie accesorios, tales como discos, brocas y otros dispositivos de corte.
- RETIRE LAS LLAVES DE AJUSTE Y DE TUERCAS.** Adquiera el hábito de asegurarse que se han retirado las llaves de ajuste de las herramientas antes de accionarlas.
- EVITE QUE LA HERRAMIENTA SE ACCIONE ACCIDENTALMENTE.** Nunca sostenga una herramienta que esté conectada con el dedo en el interruptor. Asegúrese que el interruptor está en posición de "apagado" antes de conectar la unidad.
- CORDONES DE EXTENSION.** Asegúrese que su cordón de extensión esté en buenas condiciones. Cuando utilice un cordón de extensión, asegúrese que tenga el calibre suficiente para soportar la corriente necesaria para su herramienta. Un cordón eléctrico con calibre insuficiente causará una caída en el voltaje de la línea, resultando en pérdida de potencia y sobrecalentamiento. La tabla siguiente ilustra el calibre correcto que debe utilizarse de conformidad con la longitud del cordón y el amperaje descrito por la placa de identificación. Si tiene alguna duda, utilice el cable con el calibre siguiente (mayor). Mientras más chico sea el número, mayor será su calibre.

#### Calibre mínimo para cordones de extensión

Volts	Longitud total del cordón en metros				
	0-7,6	7,6-15,2	15,2-30,4	30,4-45,7	45,7-91,4
120V	0-7,6	7,6-15,2	15,2-30,4	30,4-45,7	45,7-91,4
240V	0-15,2	15,2-30,4	30,4-60,9	60,9-91,4	

AMPERAJE		Calibre del cordón AWG				
Más de	No más de					
6	10	18	16	14	12	
10	12	16	16	14	12	

- CORDONES DE EXTENSION PARA INTEMPERIE.** Cuando opere su herramienta a la intemperie, utilice únicamente cordones de extensión diseñados y marcados para este fin.
- NO SE DISTRAIGA.** Concéntrese en lo que está haciendo. Recurra al sentido común. No opere ninguna herramienta si está fatigado.
- VERIFIQUE LAS PARTES DAÑADAS.** Antes de seguir empleando cualquier herramienta, es indispensable verificar con mucho cuidado que las guardas u otras partes dañadas puedan operar de la manera adecuada para cumplir con su función. Verifique la alineación de las partes móviles, la firmeza con que deben encontrarse sujetas a sus montaduras, las partes rotas, las propias montaduras y cualesquiera otros detalles que pudieran afectar la operación de la herramienta. Las guardas y otras partes que se encuentren dañadas deberán cambiarse o repararse en un centro de servicio autorizado, a menos que se diga otra cosa en el manual del usuario. Haga que se cambien los interruptores dañados en un centro de servicio autorizado. No emplee ninguna herramienta que tenga estropeado o inutilizado el interruptor.

**PRECAUCIÓN:** Utilice la protección auditiva adecuada durante el uso de esta unidad. Bajo ciertas condiciones y duración de uso, el ruido producido por este producto puede contribuir a la pérdida auditiva.

**PRECAUCIÓN:** Cuando taladre o atornille en muros, pisos o dondequiera que pueda encontrar cables eléctricos vivos, ¡NO TOQUE NINGUNA PARTE METALICA DE LA HERRAMIENTA! Sujete la herramienta únicamente por las superficies aislantes (empuñaduras) para evitar el choque eléctrico si hace contacto con un cable eléctrico vivo.

**ADVERTENCIA:** Parte del polvo creado al lijar, aserruchar, moler o perforar con máquina, así como al realizar otras actividades de la construcción, contiene sustancias químicas que se sabe producen cáncer, defectos congénitos u otras afecciones reproductivas. Algunos ejemplos de esas sustancias químicas son:

- plomo de pinturas a base de plomo,
- silice cristalizado de ladrillos y cemento y otros productos de albañilería, y
- arsénico y cromo de la madera químicamente tratada (CCA).

El riesgo al contacto con estas sustancias varía, según la frecuencia en que se haga este tipo de trabajo. Para reducir la exposición a esas sustancias químicas: trabaje en un área bien ventilada, y trabaje con equipos de seguridad aprobados, tales como máscaras contra el polvo especialmente diseñadas para filtrar las partículas microscópicas.

**Evite el contacto prolongado con polvos originados por lijar, aserrar, esmerilar, taladrar y otras actividades constructivas. Vista ropas protectoras y lave las áreas expuestas con agua y jabón.** Permitir que el polvo se introduzca en su boca, ojos, o dejarlo sobre la piel promueve la absorción de químicos dañinos.

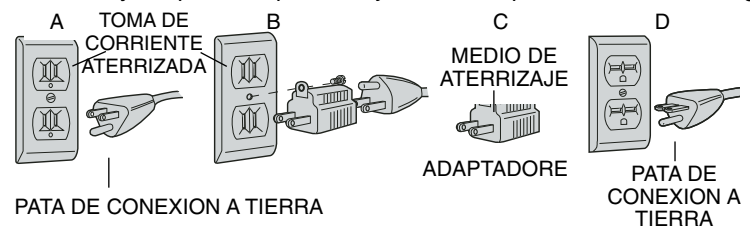
**ADVERTENCIA:** Toda persona que entre al área de trabajo deberá usar una máscara antipolvo o protección respiratoria. El filtro debería ser reemplazado a diario o cuando el usuario tenga dificultad para respirar. Puede encontrar la máscara antipolvo apropiada aprobada por NIOSH/OSHA en su ferretería local.

- La etiqueta de su herramienta puede incluir los siguientes símbolos.

V .....	volts	A .....	amperes
Hz .....	hertz	W .....	watts
.../min .....	minutos	~ .....	corriente alterna
=== .....	corriente directa	no .....	velocidad sin carga
□ .....	construcción Clase II	/min .....	revoluciones o reciprocaciones por minuto
⊕ .....	Terminales de conexión a tierra	▲ .....	símbolo de alerta de seguridad

#### Instrucciones de conexión a tierra

Esta herramienta debe aterrizar para proteger al operador de choques eléctricos. La herramienta está equipada con un conductor de 3 cables y una clavija para conexión a tierra de 3 patas para acoplarse a la toma de corriente aterrizada apropiada. El conductor verde (o verde con amarillo) es el de conexión a tierra. Nunca conecte el conductor verde (o verde con amarillo) a una terminal viva. Si su unidad está diseñada para emplearse con menos de 150 V, tendrá una clavija como la que se ilustra en la figura A. Si es para emplearse con 150 a 250 V, tendrá una clavija como la que se observa en la figura D. Existen adaptadores (figuras B y C) para conectar clavijas como la de la figura A a tomas de corriente de dos ranuras. La lengüeta verde (o similar) que se extiende del adaptador debe conectarse a tierra permanente, como un contacto aterrizado. No hay adaptadores para clavijas como la que se muestra en la figura D.



### CONSERVE ESTAS INSTRUCCIONES

#### Motor

Su herramienta DeWALT cuenta con un motor DeWALT integrado. Asegúrese que el voltaje de su toma de corriente concuerda con las especificaciones de la placa de la unidad.

Las disminuciones del voltaje mayores de 10% harán que la herramienta pierda fuerza y se sobrecaliente. Todas las herramientas DeWALT se han probado en fábrica; si ésta no operara, verifique la toma de corriente del sitio.

#### Mango lateral

Para instalar el mango lateral, use el plato de metal, cuatro tornillos y cuatro arandelas de la ceradura incluidos con la unidad. Instale el plato con los tornillos como mostrado en la figura 1. Apriete todo enrosca seguramente. Enrosque el fin enhebrado del asidero del lado en el plato y apriete seguramente.

**PRECAUCIÓN:** Utilice siempre el mango lateral o el mango tipo espada. Este es un taladro con alto torque. Sujete el taladro con ambas manos cuando esté en funcionamiento.

#### Interruptor

Oprima el interruptor de gatillo para accionar el taladro; suéltelo para detenerlo (fig. 2). El interruptor de cambio que se encuentra por arriba del gatillo, es el interruptor de reversa. Cambie la posición del interruptor únicamente cuando la herramienta no esté en funcionamiento o el portabrocas no esté en movimiento. Al terminar la operación en reversa, cambie de nuevo el interruptor a la posición de marcha hacia adelante.

Para dejar fijo el interruptor en la posición de ENCENDIDO a fin de que opere de manera continua, oprímalo y presione el botón de encendido permanente, y suelte a continuación el gatillo interruptor con suavidad. Para liberar el mecanismo de trabado, oprima el gatillo hasta el fondo y suéltelo. No asegure el interruptor en la posición de encendido permanente cuando taladre a mano, de manera que pueda soltarlo si la broca se atasca en el barreno. El botón de encendido permanente se debe utilizar solamente cuando el taladro se encuentra montado en una prensa o en un banco o sujeto con firmeza. LA CARACTERÍSTICA DE ENCENDIDO PERMANENTE NO DEBE UTILIZARSE CUANDO SE TALADRA A MANO. Asegúrese de liberar el botón de encendido permanente antes de desconectar la clavija de la toma de corriente. No hacerlo propiciará que el taladro se encienda en el momento de volver a conectarlo, con el peligro consecuente de daños o lesiones.

Para invertir la operación, apaga la herramienta y lo espera para parar costear. Agarre el anillo que invierte (Fig. 3) y lo gira a la izquierda hasta que el indicador levantado alinee con el REVES de palabra.

#### Portabrocas

Abra las mordazas del portabrocas girando el collarín con los dedos e inserte el vástago de la broca aproximadamente 19 mm (3/4") dentro del portabrocas. Apriete el collarín del portabrocas a mano. Coloque la llave del portabrocas en cada uno de los tres orificios, y apriete EN EL SENTIDO DE LAS MANECILLAS DEL RELOJ. Es muy importante apretar el portabrocas desde los tres orificios. Para sacar una broca, gire el portabrocas en sentido contrario a las manecillas del reloj, desde uno de los orificios, y después continúe a mano. Cualquier centro de servicio autorizado DeWALT puede instalarle a su taladro un portabrocas sin llave en lugar del que tiene.



## Remoción del portabrocas

1. Apague la herramienta y desconéctela de la toma de corriente.
2. Coloque la llave del portabrocas en éste como se muestra en la figura 2.
3. Aplique a la llave un golpe seco con un marro de madera en el sentido de las manecillas del reloj. Esto aflojará el tornillo interno del portabrocas (fig. 4).
4. Abra completamente las mordazas del portabrocas. Inserte el destornillador (o una llave hexagonal de 4,7 mm [3/16"]) en el interior del portabrocas entre las mordazas para enganchar la cabeza del tornillo.
5. Saque el tornillo girándolo en el sentido de las manecillas del reloj (cuerda izquierda).
6. Coloque la llave del portabrocas.
7. De un golpe seco a la llave del portabrocas en sentido opuesto a las manecillas del reloj. Esto aflojará el portabrocas para poder quitarlo a mano (fig. 5).

## Taladrado

1. Desconecte siempre el taladro antes de poner o cambiar brocas o accesorios.
2. Utilice exclusivamente brocas afiladas. Para taladrar MADERA emplee brocas helicoidales, brocas de horquilla o brocas sierra. Para taladrar METAL use brocas helicoidales de alta velocidad o brocas sierra. Para taladrar MAMPOSTERÍA, ladrillo, cemento, etc., utilice brocas con punta de carburo de tungsteno.
3. Asegúrese de que el material que va a taladrar este firmemente anclado o afianzado. Si perfora material delgado, aplique al mismo un respaldo de madera para evitar dañarlo.
4. Aplique presión a la broca siempre en línea recta. Haga suficiente presión para que la broca siga perforando, pero no tanta para que el motor se atasque o la broca se desvíe.
5. Sujete la herramienta firmemente para controlar la acción de torsión de la broca.
6. SI EL TALADRO SE TRABA, esto se deberá posiblemente a que está sobrecargado o que se está utilizando en forma indebida. SUELTE EL GATILLO DE INMEDIATO, retire la broca del barreno y determine la causa del atascamiento. NO APRIETE EL GATILLO PARA HACER PRUEBAS DE ENCENDIDO Y APAGADO, PUES PODRÍA DAÑARLO.
7. Para reducir el peligro de que se atasque el taladro, reduzca la presión y deje ir suavemente la broca hacia el final del barreno.
8. Conserve el motor trabajando al retirar la broca del interior del barreno. De esta manera evitará que se atasque.

### TALADRADO EN MADERA

Los barrenos en madera pueden hacerse con las mismas brocas que se utilizan para metal. Para evitar que las brocas se sobrecalienten, deben sacarse frecuentemente del barreno para quitar las virutas acumuladas en las estrías. Para hacer perforaciones más grandes, emplee brocas de poder para madera. El material que podría astillarse debe protegerse con un respaldo de madera.

### TALADRADO EN METAL

Utilice un lubricante para corte cuando perforo metales, excepto en los casos de hierro colado o latón en los que se deberá taladrar en seco. Los lubricantes más adecuados para corte son los de aceite sulfúrico y la manteca de cerdo.

### TALADRADO EN MAMPOSTERÍA

Utilice brocas con punta de carburo de tungsteno a bajas velocidades. Conserve uniforme la presión sobre el taladro, pero no al grado que se despostillen los materiales. La salida continua de volutas de polvo indica que se esta aplicando la velocidad apropiada.

## Lubricación

Todos los baleros de bolas y agujas empleados en esta herramienta se lubrican para toda su vida útil. Todos los baleros de agujas reciben lubricación de la grasa en la caja de engranes. Limpie y relubrique la caja de engranes anualmente o cuando sea que el servicio requiera sacar la caja de engranes. Utilice el tipo y la cantidad de grasa indicados en la lista de partes que viene empacada con su herramienta.

La caja de engranes se saca quitando los tres tornillos de la parte frontal de la herramienta. Si el portabrocas es demasiado grande para permitir quitar los dos tornillos de la parte superior, vea las instrucciones de remoción del portabrocas.

## Carbones del motor

APAGUE Y DESCONECTE EL TALADRO DE LA TOMA DE CORRIENTE.

Para revisar los carbones, destornille las tapas de plástico de inspección de los carbones (localizadas a los lados de la carcasa del motor) y el muelle y el montaje de los carbones podrán sacarse de la herramienta. Conserve limpios los carbones y deslizándose libremente sobre sus guías. Los carbones tiene varios símbolos estampados. Si el carbón se desgastó hasta el punto en que estos símbolos no se vean, deberá reemplazarse. Los centros de servicio autorizados DeWALT tienen montajes de carbones nuevos a su disposición.

## Accesorios

Los accesorios que se recomiendan para la herramienta están disponibles a un costo adicional en su distribuidor local o en un centro de mantenimiento autorizado. Si necesita ayuda para localizar algún accesorio para su herramienta, comuníquese con DeWALT Industrial Tool Co., 701 East Joppa Road, Baltimore, MD 21286 o visite nuestro sitio Web [www.dewalt.com](http://www.dewalt.com).

**⚠ PRECAUCIÓN:** El uso de cualquier accesorio no recomendado para emplearse con esta herramienta puede ser peligroso.

### CAPACIDADES MAXIMAS RECOMENDADAS

Capacidad del taladro	13mm	1/2"	13mm	1/2"
R.P.M.	0-450		0-1000	
Brocas para metal	12,7 mm	1/2"	12,7 mm	1/2"
Brocas de poder	38,1 mm	1-1/2"	38,1 mm	1-1/2"
Alimentación	76,2 mm	3"	44,4 mm	1-3/4"
Espada	38,1 mm	1-1/2"	38,1 mm	1-1/2"
Brocas sierra p/madera	127 mm	5"	76,2 mm	3"
Brocas sierra p/metal	101,6	4"	38,1 mm	1-1/2"

EL ACCESORIO DEBE ESTAR CLASIFICADO PARA UTILIZARSE A UNA VELOCIDAD IGUAL O MAYOR QUE LAS R.P.M. SEÑALADAS EN LA PLACA DE IDENTIFICACION DE LA HERRAMIENTA QUE SE ESTE EMPLEANDO.

## Reparaciones

Para garantizar la SEGURIDAD y CONFIABILIDAD, las reparaciones, el mantenimiento y los ajustes (incluida la inspección y reemplazo de cepillos) deben ser realizados por un centro de mantenimiento de fábrica de DeWALT, un centro de mantenimiento DeWALT autorizado u otro personal de mantenimiento calificado. Utilice siempre piezas de repuesto idénticas.

## Póliza de Garantía

IDENTIFICACIÓN DEL PRODUCTO:

Sello o firma del Distribuidor.

Nombre del producto: \_\_\_\_\_ Mod./Cat.: \_\_\_\_\_

Marca: \_\_\_\_\_ Núm. de serie: \_\_\_\_\_

(Datos para ser llenados por el distribuidor)

Fecha de compra y/o entrega del producto: \_\_\_\_\_

Nombre y domicilio del distribuidor donde se adquirió el producto: \_\_\_\_\_

Este producto está garantizado por un año a partir de la fecha de entrega, contra cualquier defecto en su funcionamiento, así como en materiales y mano de obra empleados para su fabricación. Nuestra garantía incluye la reparación o reposición del producto y/o componentes sin cargo alguno para el cliente, incluyendo mano de obra, así como los gastos de transportación razonablemente erogados derivados del cumplimiento de este certificado.

Para hacer efectiva esta garantía deberá presentar su herramienta y esta póliza sellada por el establecimiento comercial donde se adquirió el producto, de no contar con ésta, bastará la factura de compra.

### EXCEPCIONES.

Esta garantía no será válida en los siguientes casos:

- Cuando el producto se hubiese utilizado en condiciones distintas a las normales;
- Cuando el producto no hubiese sido operado de acuerdo con el instructivo de uso que se acompaña;

- Cuando el producto hubiese sido alterado o reparado por personas distintas a las enlistadas al final de este certificado.

Anexo encontrará una relación de sucursales de servicio de fábrica, centros de servicio autorizados y franquiciados en la República Mexicana, donde podrá hacer efectiva su garantía y adquirir partes, refacciones y accesorios originales.

## Garantía limitada por tres años

DeWALT reparará, sin cargo, cualquier falla que surja de defectos en el material o la fabricación del producto, por hasta tres años a contar de la fecha de compra. Esta garantía no cubre fallas de las piezas causadas por su desgaste normal o abuso a la herramienta. Para mayores detalles sobre la cobertura de la garantía e información acerca de reparaciones realizadas bajo garantía, visítenos en [www.dewalt.com](http://www.dewalt.com) o diríjase al centro de servicio más cercano. Esta garantía no aplica a accesorios o a daños causados por reparaciones realizadas o intentadas por terceros. Esta garantía le otorga derechos legales específicos, además de los cuales puede tener otros dependiendo del estado o provincia en que se encuentre.

Además de la garantía, las herramientas DeWALT están cubiertas por:

### 1 AÑO DE SERVICIO GRATUITO

DeWALT mantendrá la herramienta y reemplazará las piezas gastadas por su uso normal, sin cobro, en cualquier momento durante un año a contar de la fecha de compra.

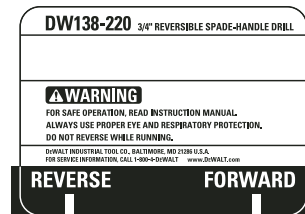
### GARANTÍA DE REEMBOLSO DE SU DINERO POR 90 DÍAS

Si no está completamente satisfecho con el desempeño de su máquina herramienta, láser o clavadora DeWALT, cualquiera sea el motivo, podrá devolverlo hasta 90 días de la fecha de compra con su recibo y obtener el reembolso completo de su dinero – sin necesidad de responder a ninguna pregunta.

**AMÉRICA LATINA:** Esta garantía no se aplica a los productos que se venden en América Latina. Para los productos que se venden en América Latina, debe consultar la información de la garantía específica del país que viene en el empaque, llamar a la compañía local o visitar el sitio Web a fin de obtener esa información.

**PRODUCTO REACONDICIONADO:** Los productos reacondicionados están cubiertos bajo la Garantía de 1 Año de Servicio Gratuito. La Garantía de 90 Días de Reembolso de su Dinero y la Garantía Limitada de Tres Años no aplican a productos reacondicionados.

**REEMPLAZO DE LAS ETIQUETAS DE ADVERTENCIA GRATUITO:** Si sus etiquetas de advertencia se tornan ilegibles o se pierden, llame al 1-800-4-DeWALT para que se las reemplacen sin cost.



## PARA REPARACIÓN Y SERVICIO DE SUS HERRAMIENTAS ELÉCTRICAS, FAVOR DE DIRIGIRSE AL CENTRO DE SERVICIO MÁS CERCANO

### CULIACAN, SIN

Av. Nicolás Bravo #1063 Sur - Col. Industrial Bravo

(667) 7 12 42 11

### GUADALAJARA, JAL

Av. La Paz #1779 - Col. Americana Sector Juárez

(33) 3825 6978

### MEXICO, D.F.

Eje Central Lázaro Cárdenas No. 18

Local D, Col. Obrera

(55) 5588 9377

### MERIDA, YUC

Calle 63 #459-A - Col. Centro

(999) 928 5038

### MONTERREY, N.L.

Av. Francisco I. Madero No.831 - Col. Centro

(81) 8375 2313

### PUEBLA, PUE

17 Norte #205 - Col. Centro

(222) 246 3714

### QUERETARO, QRO

Av. Madero 139 Pte. - Col. Centro

(442) 214 1660

### SAN LUIS POTOSI, SLP

Av. Universidad 1525 - Col. San Luis

(444) 814 2383

### TORREON, COAH

Blvd. Independencia, 96 Pte. - Col. Centro

(871) 716 5265

### VERACRUZ, VER

Prolongación Díaz Mirón #4280 - Col. Remes

(229) 921 7016

### VILLAHERMOSA, TAB

Constitución 516-A - Col. Centro

(993) 312 5111

**PARA OTRAS LOCALIDADES LLAME AL: (55) 5326 7100**

Especificaciones	DW138	DW139
Tensión de alimentación	120 V CA/CD ( ~ ---- )	120 V CA/CD ( ~ ---- )
Potencia nominal:	960 W	960 W
Frecuencia de operación:	60 Hz	60 Hz
Consumo de corriente:	10 A	10 A
Revoluciones por minuto	375	450

Especificaciones	DW138-220
Tensión de alimentación	220 / 240 V CA/CD ( ~ ---- )
Consumo de corriente:	5.2 / 4.8 A
Revoluciones por minuto	375

IMPORTADOR: DeWALT S.A. DE C.V.  
BOSQUES DE CIDROS ACCESO RADIATAS NO. 42  
COL. BOSQUES DE LAS LOMAS, 3A. SECCIÓN, CP 05120  
DELEGACIÓN CUAJIMALPA, MÉXICO, D.F.  
TEL. 5 326 7100  
R.F.C.: BDE810626-1W7

Para servicio y ventas consulte  
"HERRAMIENTAS ELÉCTRICAS"  
en la sección amarilla.

