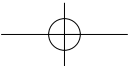


DeWALT Industrial Tool Company, P.O. Box 158, 626 Hanover Pike, Hampstead, MD 21074 Printed in U.S.A. (JUN95-CD-2) Form No. 158878-01
For information call toll free between 8:00 a.m. and 8:00 p.m., Monday through Friday 1-800-4-DEWALT (1-800-433-9258)

DW142

Copyright 1992, 1995

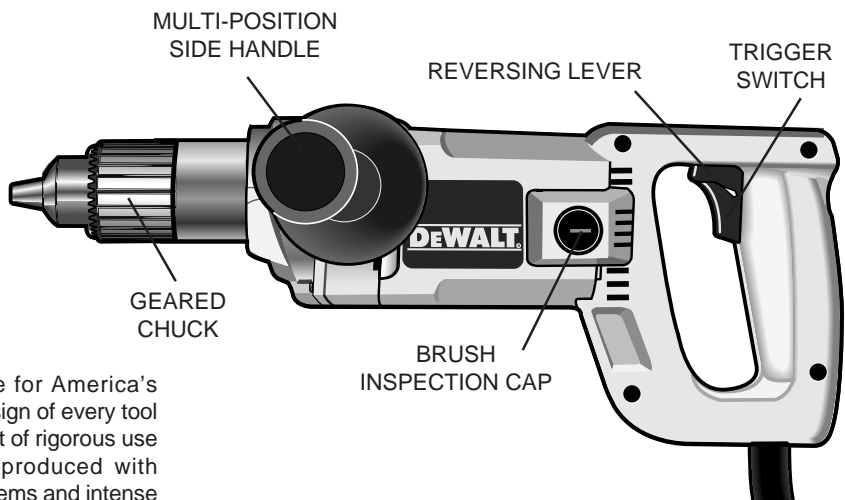


The DEWALT logo is rendered in a very bold, black, sans-serif font. The letters are thick and closely spaced. A registered trademark symbol (®) is located at the bottom right of the word. The logo is centered horizontally and is flanked by two registration marks (crosshairs) on either side. It is positioned between two thick, solid black horizontal bars that extend across the width of the logo.

INSTRUCTION MANUAL
DW142 1/2" End Handle Drill

**IF YOU HAVE ANY QUESTIONS OR COMMENTS ABOUT THIS OR ANY
DeWALT TOOL, CALL US TOLL FREE AT 1-800-4-DeWALT (1-800-433-9258).**

Serial Number from Nameplate	Date of Purchase
_____	_____
Save this information for future reference	



DeWALT...BUILT JOBSITE TOUGH

DeWALT high performance industrial tools are made for America's toughest industrial and construction applications. The design of every tool in the line—from drills to sanders to grinders—is the result of rigorous use on jobsites and throughout industry. Each tool is produced with painstaking precision using advanced manufacturing systems and intense quality control. Every tool is checked before it leaves the factory to make sure that it meets your standards for durability, reliability and power.

DeWALT Built Jobsite Tough...WE GUARANTEE IT.

Important Safety Instructions

WARNING: When using electric tools, basic safety precautions should always be followed to reduce risk of fire, electric shock, and personal injury, including the following:

READ ALL INSTRUCTIONS

Double Insulation

Double insulated tools are constructed throughout with two separate layers of electrical insulation or one double thickness of insulation between you and the tool's electrical system. Tools built with this insulation system are not intended to be grounded. As a result, your tool is equipped with a two prong plug which permits you to use extension cords without concern for maintaining a ground connection.

NOTE: Double insulation does not take the place of normal safety precautions when operating this tool. The insulation system is for added protection against injury resulting from a possible electrical insulation failure within the tool.

CAUTION: WHEN SERVICING USE ONLY IDENTICAL REPLACEMENT PARTS. Repair or replace damaged cords.

Polarized Plugs

Polarized plugs (one blade is wider than the other) are used on equipment to reduce the risk of electric shock. When provided, this plug will fit in the polarized outlet only one way. If the plug does not fit fully into the outlet, reverse the plug. If it still does not fit, contact a qualified electrician to install the proper outlet. Do not change the plug in any way.

Safety Instructions For All Tools

- **KEEP WORK AREA CLEAN.** Cluttered areas and benches invite injuries.
- **CONSIDER WORK AREA ENVIRONMENT.** Don't expose power tools to rain. Don't use power tools in damp or wet locations. Keep work area well lit. Do not use tool in presence of flammable liquids or gases.
- **GUARD AGAINST ELECTRIC SHOCK.** Prevent body contact with grounded surfaces. For example; pipes, radiators, ranges, and refrigerator enclosures.
- **KEEP CHILDREN AWAY.** Do not let visitors contact tool or extension cord. All visitors should be kept away from work area.
- **STORE IDLE TOOLS.** When not in use, tools should be stored in dry, and high or locked-up place — out of reach of children.
- **DON'T FORCE TOOL.** It will do the job better and safer at the rate for which it was intended.
- **USE RIGHT TOOL.** Don't force small tool or attachment to do the job of a heavy-duty tool. Don't use tool for purpose not intended.
- **DRESS PROPERLY.** Do not wear loose clothing or jewelry. They can be caught in moving parts. Rubber gloves and non-skid footwear are recommended when working outdoors. Wear protective hair covering to contain long hair.
- **USE SAFETY GLASSES.** Also use face or dust mask if operation is dusty.
- **DON'T ABUSE CORD.** Never carry tool by cord or yank it to disconnect from receptacle. Keep cord from heat, oil, and sharp edges.

- **SECURE WORK.** Use clamps or a vise to hold work. It's safer than using your hand and it frees both hands to operate tool.
- **DON'T OVERREACH.** Keep proper footing and balance at all times.
- **MAINTAIN TOOLS WITH CARE.** Keep tools sharp and clean for better and safer performance. Follow instructions for lubricating and changing accessories. Inspect tool cords periodically and if damaged, have repaired by authorized service facility. Inspect extension cords periodically and replace if damaged. Keep handles dry, clean, and free from oil and grease.
- **DISCONNECT OR LOCK OFF TOOLS** when not in use, before servicing, and when changing accessories, such as blades, bits, cutters.
- **REMOVE ADJUSTING KEYS AND WRENCHES.** Form habit of checking to see that keys and adjusting wrenches are removed from tool before turning it on.
- **AVOID UNINTENTIONAL STARTING.** Don't carry tool with finger on switch. Be sure switch is off when plugging in.
- **EXTENSION CORDS.** Make sure your extension cord is in good condition. When using an extension cord, be sure to use one heavy enough to carry the current your product will draw. An undersized cord will cause a drop in line voltage resulting in loss of power and overheating. The following table shows the correct size to use depending on cord length and nameplate ampere rating. If in doubt, use the next heavier gage. The smaller the gage number, the heavier the cord.

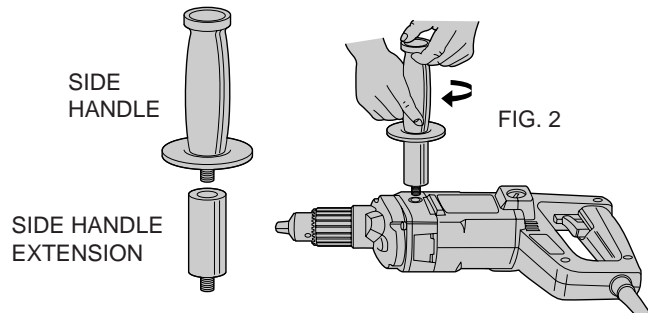
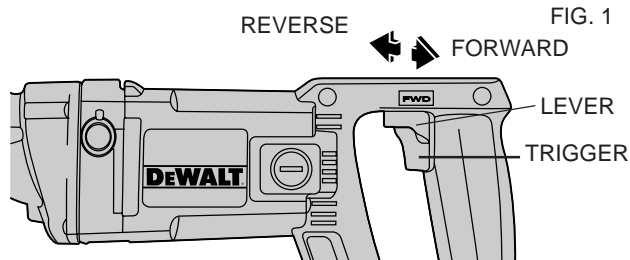
Volts		Minimum Gage for Cord Sets			
		Total Length of Cord in Feet			
120V		0-25	26-50	51-100	101-150
240V		0-50	51-100	101-200	201-300
Ampere Rating		AWG			
More Than	Not more Than				
0 -	6	18	16	16	14
6 -	10	18	16	14	12
10 -	12	16	16	14	12
12 -	16	14	12	Not Recommended	

- **OUTDOOR USE EXTENSION CORDS.** When tool is used outdoors, use only extension cords intended for use outdoors and so marked.
- **STAY ALERT.** Watch what you are doing. Use common sense. Do not operate tool when you are tired.
- **CHECK DAMAGED PARTS.** Before further use of the tool, a guard or other part that is damaged should be carefully checked to determine that it will operate properly and perform its intended function. Check for alignment of moving parts, binding of moving parts, breakage of parts, mounting, and any other conditions that may affect its operation. A guard or other part that is damaged should be properly repaired or replaced by an authorized service center unless otherwise indicated elsewhere in this instruction manual. Have defective switches replaced by authorized service center. Do not use tool if switch does not turn it on and off.
- **CAUTION:** When drilling or driving into walls, floors or wherever live electrical wires may be encountered, **DO NOT TOUCH ANY METAL PARTS OF THE TOOL!** Hold the tool only by insulated grasping surfaces to prevent electric shock if you drill or drive into a live wire.

SAVE THESE INSTRUCTIONS

Motor Brushes

Be sure tool is unplugged before inspecting brushes. Carbon brushes should be regularly inspected for wear. To inspect brushes, unscrew the plastic brush inspection caps (located in the sides of the motor housing) and withdraw the spring and brush assemblies from the tool. Keep brushes clean and sliding freely in their guides. Carbon brushes have varying symbols stamped into them, and if the brush is worn down to the line closest to the spring, it must be replaced. New brush assemblies are available at D_EWALT certified service centers: see TOOLS, ELECTRIC in the Yellow Pages.



Motor

Your D_EWALT tool is powered by a D_EWALT built motor. Be sure your power supply agrees with the nameplate marking.

Volts 50/60 Hz or "AC only" means your tool must be operated on alternating current and never with direct current.

Voltage decrease of more than 10% will cause loss of power and overheating. D_EWALT tools are factory tested; if this tool does not operate, check power supply.

Switches

Pulling the trigger switch turns the tool "ON"; releasing the trigger switch turns the tool "OFF". For controlling the rotational direction of the spindle, there is a lever, integral to and on top of the trigger switch. For drilling (forward position) this lever should be slanted to the left side of the tool (viewing from behind the handle); for easing drill bits out of tight holes (reverse position) it should be slanted to the right side of the tool. A built-in mechanical interlock prevents changing the direction of the tool unless the trigger switch is released. After any reversing, return lever to forward position.

Side Handles

TURN OFF AND UNPLUG DRILL.

NEVER ATTEMPT TO USE THIS TOOL WITHOUT A SIDE HANDLE FIRMLY ATTACHED.

The side handle must be attached to the gear case. Because of the extremely high torque of this drill, a side handle extension must be used to lengthen the side handle. The plastic bag that contains the hex wrench and the chuck key also contains the handle extension. Screw the extension firmly into the hole in the gear case of your drill and screw the side handle into the extension. **DO NOT USE WITHOUT EXTENSION.**

Operation

CAUTION: Always unplug the tool when attaching or changing bits or accessories.

1. Open the chuck jaws by turning collar with fingers and insert bit fully into the chuck. Tighten chuck collar by hand. Place chuck key in each of the three holes, and tighten in clockwise direction. It's important to tighten chuck with all three holes to prevent slippage. To release bit, turn chuck key counter clockwise in just one hole, then loosen chuck by hand.
2. Use sharp drill bits only. For WOOD, use twist drill bits, spade bits, power auger bits, or hole saws. For METAL, use high-speed steel twist drill bits or hole saws. For MASONRY, such as brick, cement, cinder block etc., use carbide-tipped bits.
3. Be sure the material to be drilled is anchored or clamped firmly. If drilling thin material, use a wood "back-up" block to prevent damage to the material.
4. Always apply pressure in a straight line with the bit. Use enough pressure to keep drill biting, but do not push hard enough to stall the motor or deflect the bit.
5. Hold drill firmly to control the twisting action of the drill. Use side handle.

CAUTION: Drill may stall if overloaded causing a sudden twist. Always expect the stall. Grip the drill firmly to control the twisting action and avoid injury.

6. IF DRILL STALLS, it is usually because it is being overloaded or improperly used. **RELEASE TRIGGER IMMEDIATELY**, remove drill bit from work, and determine cause of stalling. **DO NOT CLICK TRIGGER OFF AND**

ON IN AN ATTEMPT TO START A STALLED DRILL— THIS CAN DAMAGE THE DRILL.

7. To minimize stalling on breaking through the material, reduce pressure on drill and ease the bit through the last fractional part of the hole.
8. Keep the motor running when pulling the bit back out of a drilled hole. This will help prevent jamming.

DRILLING IN METAL

Use a cutting lubricant when drilling metals. The exceptions are cast iron and brass which should be drilled dry. The cutting lubricants that work best are sulphurized cutting oil or lard oil; bacon grease will also serve the purpose.

DRILLING IN WOOD

Holes in wood can be made with the same twist drills used for metal. These bits may overheat unless pulled out frequently to clear chips from the flutes. For larger holes, use Power Drill Wood Bits. Work that is apt to splinter should be backed up with a block of wood.

Chuck

1. Always completely insert the shank of the drill bit or accessory in the chuck. This permits full gripping power and prevents cocking the chuck jaws. When using drill bits or accessories with 3 "flats" on the shank, the chuck jaws should be located on the center of these flats.
2. Use all three holes in the chuck body to tighten the jaws. Insert the chuck key into each hole and tighten as much as possible. To release the drill bit, use the chuck key in only one hole.
3. Use only a chuck key to tighten or loosen the chuck jaws.

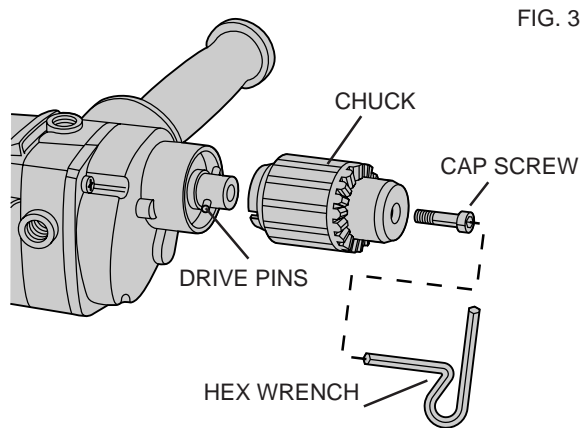


FIG. 3

Chuck Removal and Attachment

Open chuck jaws all the way to gain access to the cap screw inside the chuck (see Figure 3). Insert hex wrench and remove cap screw (right hand thread). Pull chuck straight off spindle. Do not try to unscrew chuck. Reverse procedure to install.

Chuck Key Holder

1. Push double-hole end of holder through the slot in other end of holder (Figure 4.)
2. Slip loop over electric plug and draw loop tight around cord (Figure 5.)
3. Push ends of chuck key handle through two holes in end of holder (Figure 6.)

Important

To assure product SAFETY and RELIABILITY, repairs, maintenance and adjustment (except that described in this manual) should be performed by DeWALT certified service centers or other qualified service organizations. These service organizations service DeWALT tools always using DeWALT replacement parts.

Black & Decker (U.S.) Inc. industrial tool service centers are certified for servicing DeWALT industrial tools.

Accessories

Recommended accessories for use with your tool are available at extra cost from your local DeWALT certified service center. **CAUTION:** The use of any non-recommended accessory may be hazardous.

A complete listing of DeWALT certified service centers is included with your tool.

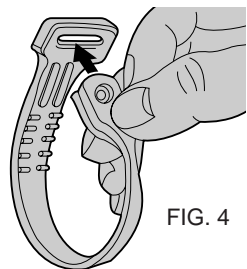


FIG. 4

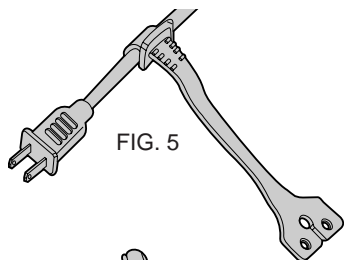


FIG. 5

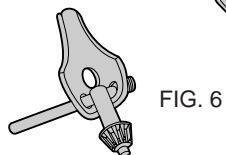


FIG. 6

If you need assistance in locating any accessory, please contact DeWALT Industrial Tool Company, P.O. Box 158, 626 Hanover Pike, Hampstead, MD 21074 or call 1-800-4-DEWALT (1-800-433-9258).

Cleaning

With the tool motor running, blow dirt and dust out of all air vents with dry air at least once a week.

Lubrication

Your tool was properly lubricated before leaving the factory. In from two to six months, depending upon use, take or send your tool to a Black & Decker (U.S.) Inc. Industrial Service Center or other qualified service organization for a complete cleaning, inspection and relubrication.

Tools used constantly on production or heavy duty jobs or exposed to heat may require more frequent lubrication. Tools "out of service" for long periods should be relubricated before being put back into service.

Full Warranty

DeWALT heavy duty industrial tools are warranted for one year from date of purchase. We will repair, without charge, any defects due to faulty materials or workmanship. Arrangements have been made with the Industrial Tool Division of Black & Decker (U.S.) Inc. to provide warranty repairs for DeWALT tools. Please return the complete unit, transportation prepaid, to any Black & Decker (U.S.) Inc. Industrial Service Center or Authorized Service Station listed under "Tools, Electric" in the Yellow Pages. This warranty does not apply to accessories or damage caused where repairs have been made or attempted by others. This warranty gives you specific legal rights and you may have other rights which vary from state to state.

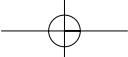
In addition to the warranty, DeWALT tools are covered by our:

30 DAY NO RISK SATISFACTION GUARANTEE

If you are not completely satisfied with the performance of your DeWALT heavy duty industrial tool, simply return it to the participating seller within 30 days for a full refund. Please return the complete unit, transportation prepaid. Proof of purchase may be required.



**See 'Tools-Electric'
– Yellow Pages –
for Service & Sales**



YOUR DEWALT TOOLS MAY BE SERVICED AT THE FOLLOWING B&D SERVICE CENTERS.

ALABAMA:	
Birmingham 35209, 2412 Green Springs Hwy.	205-942-0538
Mobile 36608, 3831 Airport Blvd.	205-343-6624
ALASKA:	
Anchorage 99518, 910 West International Airport Rd.	907-563-4664
ARIZONA:	
Mesa 85202, 535 S. Dobson, Suite 7.	602-461-1074
Phoenix 85013, 4501 N. 7th Avenue	602-279-6414
Tucson 85712, 4845 E. Speedway Blvd.	602-323-3388
ARKANSAS:	
Little Rock 72201, 519 W. Seventh St.	501-372-3040
CALIFORNIA:	
Anaheim 92806, 540 South State College Blvd.	714-772-4050
Chula Vista 91910, 309 Broadway	619-420-6350
Concord 94520, 1500 Monument Blvd., #C2.	510-682-4890
Fresno 93710, 5412 North Blackstone Ave.	209-435-0810
Long Beach 90805, 2011 South St.	310-422-5825
Los Angeles 90040, 4820 South Eastern Ave., Suite "L".	213-720-1834
Riverside 92506, 6215 Magnolia Ave., Suite "B".	909-787-9700
Sacramento 95825, 2033 Fulton Ave.	916-972-9090
San Diego 92123, 9270 Clairemont Mesa Blvd.	619-279-2011
San Jose 95128, 1185 So. Bascom Ave.	408-293-7350
San Leandro 94578, 15206 E. 14th St.	510-276-1610
Van Nuys 91411, 14920 Victory Blvd.	818-787-5531
COLORADO:	
Denver 80219, 1171 S. Federal Blvd.	303-922-8325
CONNECTICUT:	
Orange 06477, 481 Boston Post Rd.	203-795-3583
Wethersfield (Hartford) 06109, 662 Silas Dean Hwy.	203-663-5900
DISTRICT OF COLUMBIA: Washington	
Colmar Manor 20722, 4153 Bladensburg Rd.	301-779-3808
Falls Church, VA 22046, 344 W. Broad St.	703-533-7313
FLORIDA:	
Fl. Lauderdale 33334, 799 E. Oakland Pk. Blvd.	305-566-5102
Fl. Myers 33907, 5224 Bank Street	813-278-1188
Jacksonville 32205, 920 Cassat Ave.	904-781-2253
Miami (North) 33108, 13345 N.W. Seventh Ave.	305-581-6658
Miami (South) 33156, 12233 So. Dixie Hwy.	305-232-9497
Orlando 32803, 3807 E. Colonial Dr.	407-894-7011
St. Petersburg 33709, 5635 49th St., N.	813-525-0273
Tampa 33609, 3432 W. Kennedy Blvd.	813-872-8317
West Palm Beach 33415, 310 South Military Trail	407-689-3247
GEORGIA:	
Atlanta (South) 30349, 5330 Old National Hwy.	404-762-8944
Smyrna 30080, 2550 Cobb Pkwy.	404-956-0869
Stone Mountain (Atlanta) 30086, 5723 Memorial Dr.	404-292-4714
HAWAII:	
Honolulu 96819, 330 Sand Island Access Road	808-847-7447
ILLINOIS:	
Des Plaines (Chicago) 60018, 1277 South Elmhurst Rd.	708-364-5220
Lincolnwood (Chicago) 60466, 6710 N. Crawford Ave.	708-673-0823
Liste (West Chicago) 60532, 2950 Ogden Ave., Unit H.	708-717-1075
Moline 61265, 4433 23rd Ave.	309-762-3000
Oak Lawn (Chicago) 60453, 6343 W. 95th St.	708-423-7212
Waukegan 60085, 39 S. Greenbay Rd.	708-249-4390
INDIANA:	
Evansville 47710, 307 First Ave., Crescent Ctr.	812-425-4269
Hammond 46323, 7103 Kennedy Ave.	219-845-5100
Indianapolis 46224, 5999 Crawfordsville Rd.	317-243-8308

IOWA:	
Des Moines 50310, 3427 Merle Hay Rd.	515-270-1340
KANSAS:	
Wichita 67213, 155 S. West St.	316-943-1271
KENTUCKY:	
Louisville 40213, 5211 Preston Hwy.	502-968-7100
LOUISIANA:	
Baton Rouge 70815, 11859 Florida Blvd.	504-272-8111
Harvey 70058, 2500 Lapalco Blvd.	504-366-8676
Metairie (New Orleans) 70002, 3504 N. Causeway Blvd.	504-837-2550
Shreveport 71108, 7710-7714 Jewella Rd.	318-688-1553
MARYLAND:	
Baltimore (East) 21205, 4712 Erdman Ave.	410-485-5550
Baltimore (North) 21030, 29-31 Cranbrook Rd., Cockeysville.	410-666-5966
Baltimore (South) 21122, 8220 Ritchie Hwy., Pasadena.	410-647-9456
Colmar Manor 20722, 4153 Bladensburg Rd.	301-779-3808
MASSACHUSETTS:	
Brighton (Boston) 02135, 12 Market St.	617-782-6264
Seekonk 02771, 120 Highland Ave.	508-336-6510
MICHIGAN:	
Grand Rapids 49512, 3040 28th St., S.E.	616-949-8331
Lansing 48917, 3203 W. Saginaw Hwy.	517-323-4181
Warren 48093, 27035 Van Dyke Blvd.	313-756-6711
Westland (Detroit) 48185, 8067 North Wayne Rd.	313-427-1520
MINNESOTA:	
Bloomington (Minneapolis-St. Paul) 55420, 9517 Lyndale Ave., S.	612-884-9191
MISSOURI:	
Kansas City 64111, 4324 Main St.	816-531-0629
St. Ann (North St. Louis) 63074, 3637 North Lindbergh Blvd.	314-739-4661
St. Louis 63131, 12852 Manchester Rd.	314-821-8740
NEBRASKA:	
Omaha 68127, 4225 S. 84th St.	402-592-5666
NEVADA:	
Las Vegas 89104, 3411 East Charleston Blvd.	702-641-6555
NEW JERSEY:	
Cherry Hill 08034, 1444 E. Marlton Pike/Rte. 70.	609-429-2822
Little Falls 07424, 1189 U.S. Highway 46.	201-256-9373
Union (Scotch Plains) 07076, 2520 Route #22 East	908-233-5665
NEW MEXICO:	
Albuquerque 87110, 5617 Menaul Blvd., N.E.	505-884-1002
NEW YORK:	
Buffalo 14209, 881 W. Delavan Ave.	716-884-6220
Centereach L.I. 11720, 2061-63 Middle Country Rd.	516-737-4706
Elmhurst (New York) 11373, 77-20 Queens Blvd.	718-335-1042
Latham (Albany) 12110, 836 Troy-Schenectady Rd.	518-785-1867
Rochester 14623, 2969 W. Henrietta Rd.	716-424-1310
Syracuse 13214, 3485 Erie Blvd., East	315-446-3086
Westbury L.I. (New York) 11590, 1061 Old Country Rd.	516-997-6140
NORTH CAROLINA:	
Charlotte 28205, 3007 E. Independence Blvd.	704-374-1779
Greensboro 27407, 3716 High Point Rd.	910-852-1300
Raleigh 27604, 2930 Capital Blvd.	919-878-0357
OHIO:	
Cincinnati 45241, 2310 E. Sharon Rd.	513-772-3111
Columbus 43227, 3975 E. Livingston Ave.	614-237-0461
Dayton 45409, 2898 S. Dixie Dr.	513-298-1951
Mayfield Heights (East Cleveland) 44124, 5881 Mayfield Rd.	216-449-2770

OHIO (CONT'D):	
Parma Heights (Cleveland) 44130, 6483 Pearl Road.	216-842-9100
Toledo 43607, 3231 Dorr St.	419-531-8921
OKLAHOMA:	
Oklahoma City 73106, 1318 Linwood Blvd.	405-232-7515
Tulsa 74145, 3120 S. Sheridan Rd.	918-622-5666
OREGON:	
Portland 97209, 1640 N.W. Johnson St.	503-228-8631
PENNSYLVANIA:	
Evans City 16033, 20808 Rt. 19 North.	412-779-9600
Harrisburg 17112, 6080 Allentown Blvd.	717-545-0651
Lancaster 17601, 118 Keller Ave.	717-393-5251
Philadelphia (North) 19103, 333 N. 20th St.	215-564-5520
Philadelphia (North) 19115, 9377-81 Bustleton Ave.	215-464-7771
Pittsburgh 15232, 5437 Baum Blvd.	412-362-2700
Whitehall (Allentown) 18052, 2242 MacArthur Rd.	610-435-9544
Wilkes-Barre 18702, 759 Kidder Street	717-824-5704
PUERTO RICO:	
Puerto Nuevo	809-783-3535
RHODE ISLAND:	
See Seekonk, MA	
SOUTH CAROLINA:	
Greenville 29607, 1557 Laurens Rd.	803-232-3038
TENNESSEE:	
Chattanooga 37421, 6231 Perimeter Drive, Space E.	615-894-5957
Knoxville 37917, 4118 N. Broadway.	615-688-0921
Memphis 38116, 1085 East Brooks Rd.	901-332-3444
Nashville 37211, 4811 Nolensville Rd.	615-833-8277
TEXAS:	
Amarillo 79106, 3008 West 6th Ave.	806-373-1531
Austin 78757, 6549 Burnet Rd.	512-458-1133
Dallas 75229, 2257 Royal Ln.	214-620-6655
El Paso 79915, 6822 Gateway East.	915-778-9769
Fort Worth 76111, 721 North Beach St.	817-831-3828
Garland 75043, 718 W. Centerville Rd.	214-686-9302
Houston 77022, 536 E. Tidwell Rd.	713-692-7111
Houston (S.W.) 77025, 9319 Stella Link Blvd.	713-664-3666
San Antonio 78201, 500 Culebra Ave.	210-732-1221
Webster 77598, 100 East Nasa Rd. One.	713-338-4556
UTAH:	
Salt Lake City 84115, 1541 S. Third West St.	801-486-5828
VIRGINIA:	
Falls Church 22046, 344 W. Broad St.	703-533-7313
Hampton 23666, 3416 W. Mercury Blvd.	804-826-9382
Norfolk 23513, 7631 Sewells Point Rd.	804-480-3333
Richmond 23222, 1424 Chamberlayne Ave.	804-649-9245
WASHINGTON:	
Seattle 98108, 421 S. Michigan St.	206-763-2010
Spokane 99208, N. 7011 Division St.	509-467-8190
Tacoma 98409, 2602 S. 38th St.	206-473-6040
WEST VIRGINIA:	
Charleston 25312, 1638 Sixth Ave.	304-343-0289
WISCONSIN:	
Milwaukee (Wauwatosa) 53226, 10424 West Bluemound Rd.	414-453-4240

